

*Operator's Manual
& Parts Drawings*

RV602

Collection Vacuum





500 Venture Drive
Orrville Oh 44667
www.ventrac.com

View all manuals



Visit ventrac.com/manuals for the latest version of this operator's manual.

A downloadable parts manual is also available.

To the Owner Contact Information and Product Identification

If you need to contact an authorized Ventrac dealer for information on servicing your product, always provide the product model and serial numbers.

Please fill in the following information for future reference. See the picture(s) below to find the location of the identification numbers. Record them in the spaces provided.

Date of Purchase: _____

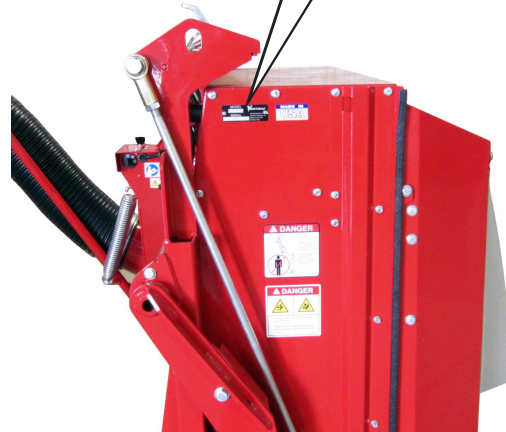
Dealer: _____

Dealer Address: _____

Dealer Phone Number: _____

Dealer Fax Number: _____

<p>Model # (A): _____</p> <p>Serial # (B): _____</p> <p style="text-align: center;">Affix Part/Serial Number label here.</p>
--



Venture Products Inc. reserves the right to make changes in design or specifications without obligation to make like changes on previously manufactured products.

TABLE OF CONTENTS

INTRODUCTION	PAGE 5
Product Description.....	5
Why Do I Need an Operator’s Manual?	5
Using Your Manual	6
Manual Glossary	6
SAFETY	PAGE 7
Safety Decals	7
General Safety Procedures.....	9
Training Required.....	9
Personal Protective Equipment Requirements	9
Operation Safety	9
Preventing Accidents.....	10
Keep Riders Off.....	10
Operating On Slopes.....	11
Roadway Safety	11
Truck Or Trailer Transport	11
Maintenance.....	12
Fuel Safety	12
Hydraulic Safety	13
Engine and Blower Fan Safety.....	14
Cutting Unit Safety	14
Material Collection Safety	14
Safety Interlock System	14
Testing The Safety Interlock System.....	14
OPERATIONAL CONTROLS	PAGE 15
Operational Control Locations.....	15
Ignition Key Switch (A).....	15
Throttle (B).....	15
Hour Meter (C)	15
Choke (D).....	15
Fuel Shut-off Lever (E).....	15
Left Rear Auxiliary Hydraulics Handle (F).....	15
Right Rear Auxiliary Hydraulics Handle (G).....	15
GENERAL OPERATION	PAGE 16
Daily Inspection.....	16
Attaching	16
Attaching Using Optional Docking Station	17
Detaching	18
Detaching Using Optional Docking Station	19
Mowing and Operating Procedure	20
Mowing Speed	20
Checking For and Removing Obstructions from the Collection Vacuum	20
Emptying the Collection Bin	21
Transport of the Power Unit and RV602 Collection Vacuum.....	21

TABLE OF CONTENTS

SERVICE	PAGE 22
Cleaning and General Maintenance.....	22
Servicing the Collection Vacuum with the Bin in the Raised Position	22
Power Unit Tire Pressure	22
Automatic Engine Shut-off Switch.....	22
Changing Engine Oil	23
Servicing Air Filter Elements	24
Filling The Fuel Tank	24
Changing The Fuel Filter.....	25
Service & Lubrication Diagram.....	25
Storage.....	26
Maintenance Schedule.....	27
Maintenance Checklist.....	27
SPECIFICATIONS	PAGE 28
Dimensions	28
Engine.....	28
Features	28
Power Unit Requirements	28
PARTS	PAGE 29
Electrical Diagram	29
Collection Bin - Front Panel	30
Collection Bin - Left Panel & Brace.....	32
Collection Bin - Right Panel & Brace.....	34
Collection Bin - Floor Panel & Front Window	36
Collection Bin - Door & Latch (Serial # 01001 - 01369).....	38
Collection Bin - Door & Latch (Serial # 01370 -).....	40
Collection Bin Door Hydraulics.....	42
Main Frame & Collection Bin Lift Arm Frame	44
Collection Bin Lift Hydraulics.....	46
Tractor Mount (Hitch and Roll Bar)	48
Engine & Guard.....	50
Engine Controls & Electrical Components	52
Battery Cable Connector.....	54
Fan Housing, Fan, & Upper Chute.....	56
Vacuum Hose & Support Arm	58
Storage Stands with Casters.....	60
70.8090 HM602 Vacuum Boot	62
70.8091 HM/HP722 Vacuum Boot	64
70.8092 Docking Station Base.....	66
70.8092 Docking Station Latch	68
70.8169 MS/MT Vacuum Boot	70
70.8210 Vacuum Boot MS/MT Mowers.....	72
WARRANTY	PAGE 74

INTRODUCTION



Venture Products Inc. is pleased to provide you with your new Ventrac RV602 collection vacuum! We hope that Ventrac equipment will provide you with a ONE Tractor Solution.

Listed below are just some of the items that can provide you *versatility* as you use your RV602. Please visit our web site, or contact your authorized Ventrac dealer for a complete list of items available for your new RV602 collection vacuum.

Accessories	Item Description	Part Number
	HM602 Collection Vacuum Boot	70.8090
	HM/HP722Collection Vacuum Boot	70.8091
	MS/MT Collection Vacuum Boot	70.8210
	Docking Station	70.8092

Product Description

The Ventrac RV602 vacuum collection system is designed for the sole purpose of grass and leaf collection. The vacuum collection system consists of three primary components.

1. The bin assembly mounts to the rear of the 4000 series power units
2. The suction/blower system is powered by a 10 horsepower engine with electric start for efficient pickup and superior performance.
3. The high lift mechanism raises the collection bin up to 60 inches (152 cm) to dump the contents into a garbage bin or trailer.

Why Do I Need an Operator's Manual?

This manual has been created to help you gain the important knowledge of what is needed to safely operate, maintain, and service your machine. It is divided into sections for convenient reference of the appropriate section.

You must read and understand the operator's manual for each piece of Ventrac equipment you own. Reading the operator's manual will help you become familiar with each specific piece of equipment. Understanding the operator's manual will help you, as well as others, avoid personal injury and/or damage to the equipment. Keep this manual with the machine at all times. The manual should remain with the machine even if it is sold. If this manual becomes damaged or unreadable, it should be replaced immediately. Contact your local Ventrac dealer for a replacement.

When using a Ventrac attachment, be sure to read and follow the safety and operating instructions of both the power unit and the attachment being used to ensure the safest operation possible.

The information in this manual provides the operator with the safest procedures to operate the machine while getting the maximum use out of the unit. Failure to follow the safety precautions listed in this manual may result in personal injury and/or damage to the equipment.

INTRODUCTION

Using Your Manual

Throughout this manual, you will encounter special messages and symbols that identify potential safety concerns to help you as well as others avoid personal injury or damage to the equipment.

SYMBOL DEFINITIONS



ATTENTION

This symbol identifies potential health and safety hazards. It marks safety precautions. Your safety and the safety of others is involved.

There are three signal words that describe the level of safety concern: Danger, Warning, and Caution. Safety should always be the #1 priority when working on or operating equipment. Accidents are more likely to occur when proper operating procedures are not followed or inexperienced operators are involved.

Note: Right-Hand and Left-Hand orientations may be referred to at different places throughout this manual. Right-Hand and Left-Hand is determined as if sitting on the power unit seat facing forward.

SIGNAL WORD DEFINITIONS

⚠ DANGER

Indicates an imminently hazardous situation which, if not avoided, will result in death or serious injury. This signal word is limited to the most extreme cases.

⚠ WARNING

Indicates a potentially hazardous situation which, if not avoided, could result in death or serious injury.

⚠ CAUTION

Indicates a potentially hazardous situation which, if not avoided, may result in minor or moderate injury and/or property damage. It may also be used to alert against unsafe practices.

Manual Glossary

Power Unit A Ventrac tractor or other Ventrac engine powered device that may be operated by itself or with an attachment or accessory.

Attachment A piece of Ventrac equipment that requires a Power Unit for operation.

Accessory A device that attaches to a Power Unit or Attachment to extend its capabilities.

Machine Describes any "Attachment" or "Accessory" that is used in conjunction with a power unit.

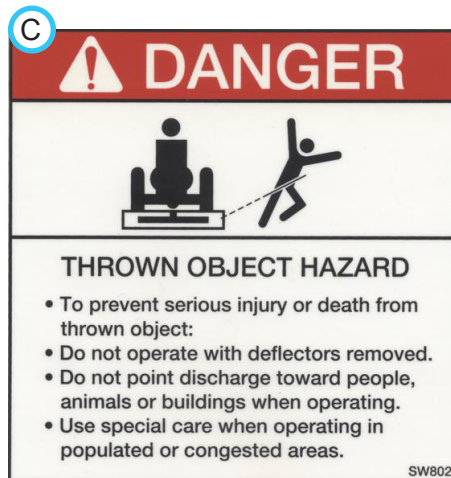
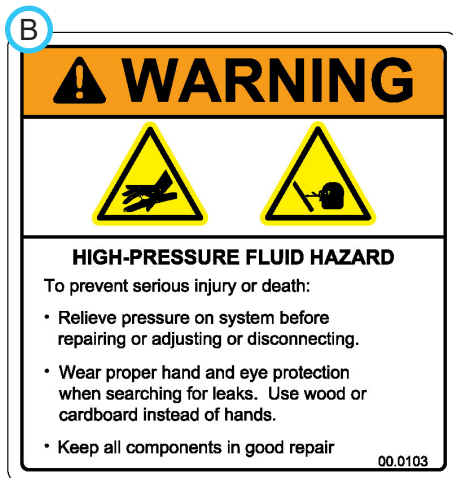
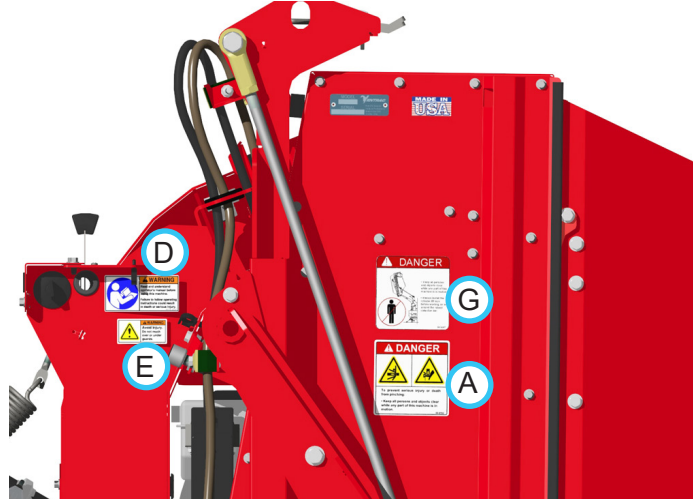
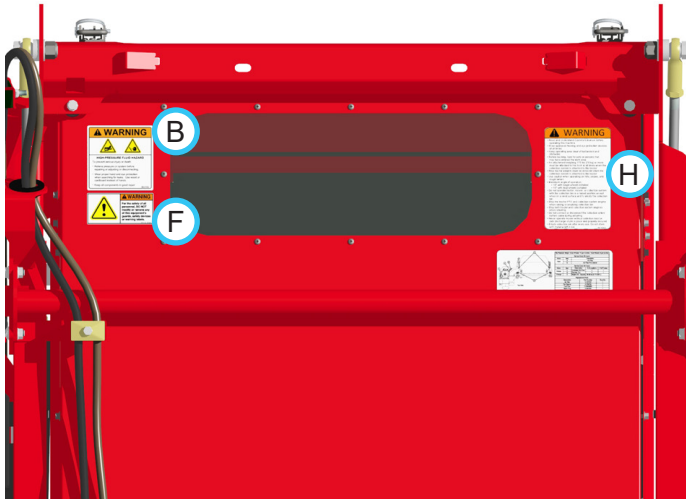
SAFETY

Safety Decals

The following safety decals must be maintained on your RV602 Collection Vacuum System.

Keep all safety decals legible. Remove all grease, dirt, and debris from safety decals and instructional labels. If any decals are faded, illegible, or missing, contact your dealer promptly for replacements.

When new components are installed, be sure that current safety decals are affixed to the replacement components.



SAFETY

F



WARNING

For the safety of all personnel, **DO NOT** modify or remove any of this equipment's guards, safety devices or warning labels.

PART NO. 00.0220

G




DANGER

- Keep all persons and objects clear while any part of this machine is in motion
- Always install the cylinder lift lock before working on or around the raised collection bin

00.0267

H



WARNING

- Read and Understand Operator's Manual before operating this machine
- Wear approved hearing and eye protection devices at all times
- Keep operating area clear of bystanders and obstacles
- Before backing, look for pets or persons that may have entered the work area
- A mower deck attachment must be attached to the front of the tractor at all times when the collection system is attached to the tractor
- The mower deck must be in the raised position when raising the collection bin
- Rear tractor weights must be removed when the collection system is attached to the tractor
- Use caution when operating on hills, slopes, and rough terrain
- Maximum angle of operation is:
 - 10° with single wheels installed
 - 15° with dual wheels installed
- If operating on 10° slopes or greater, the tractor's weight transfer system must be engaged
- Do not operate tractor, mower, or collection system with the collection bin in a raised position, except when on a level surface and to empty the collection bin
- Stop the tractor PTO and collection system engine when raising or emptying collection bin
- Stop both tractor and collection system engines when refueling
- Do not connect or disconnect the collection system battery cable during refueling
- Never operate mower without collection boot or side discharge chute in place and properly secured
- Empty collection bin after every use. Do not store with material left in bin

00.0269

I




DANGER

UNLEADED GASOLINE ONLY

00.0332

J



WARNING

- Read and Understand Operator's Manual before operating this machine
- Wear approved hearing and eye protection devices at all times
- Keep operating area clear of bystanders and obstacles
- Before backing, look for pets or persons that may have entered the work area

Operation of tractor with collection system:

- A mower deck attachment must be attached to the front of the tractor at all times when the collection system is attached to the tractor
- The mower deck must be in the raised position when raising the collection bin
- Rear tractor weights must be removed when the collection system is attached to the tractor
- Use caution when operating on hills, slopes, and rough terrain
- Maximum angle of operation is:
 - 10° with single wheels installed
 - 15° with dual wheels installed
- If operating on 10° slopes or greater, the tractor's weight transfer system must be engaged
- Do not operate tractor, mower, or collection system with the collection bin in a raised position, except when on a level surface and to empty the collection bin
- Stop the tractor PTO and collection system engine when raising or emptying collection bin
- Stop both tractor and collection system engines when refueling
- Do not connect or disconnect the collection system battery cable during refueling

Operation of tractor without the collection system:

- Install rear weights onto tractor as required
- Mower side discharge chute must be in place and properly secured

00.0268

Decal	Description	Part Number	Quantity
A	Danger, Pinching Hazard	00.0102	2
B	Warning, High Pressure Fluid Hazard	00.0103	1
C	Danger, Thrown Object Hazard	00.0122	1
D	Warning, Read Owner's Manual	00.0217	1
E	Warning, Do Not Reach	00.0219	1
F	Warning, General Safety	00.0220	1
G	Danger, RV600	00.0267	2
H	Warning, Collection System	00.0269	1
I	Danger, Gasoline Only	00.0332	1
J	Warning, Collection System (Decal on tractor toolbox lid)	00.0268	1

SAFETY



General Safety Procedures for Ventrac Power Units, Attachments, & Accessories



Training Required

- The owner of this machine is solely responsible for properly training the operators.
- The owner/operator is solely responsible for the operation of this machine and prevention of accidents or injuries occurring to him/herself, other people, or property.
- Do not allow operation or service by children or untrained personnel. Local regulations may restrict the age of the operator.
- Before operating this machine, read the operator's manual and understand its contents.
- If the operator of the machine cannot understand this manual, then it is the responsibility of this machine's owner to fully explain the material within this manual to the operator.
- Learn and understand the use of all controls.
- Know how to stop the power unit and all attachments quickly in the event of an emergency.



Personal Protective Equipment Requirements

It is the responsibility of the owner to be sure that the operators use the proper personal protective equipment while operating the machine. Required personal protective equipment includes, but is not limited to, the following list.



- Wear a certified ear protection device to prevent loss of hearing.
- Prevent eye injury by wearing safety glasses while operating the machine.
- Closed toe shoes must be worn at all times.
- Long pants must be worn at all times.
- When operating in dusty conditions, it is recommended that a dust mask be worn.

Operation Safety

- Inspect machine before operation. Repair or replace any damaged, worn, or missing parts. Be sure guards and shields are in proper working condition and are secured in place. Make all necessary adjustments before operating machine.
- Some pictures in this manual may show shields or covers opened or removed in order to clearly illustrate any instructions. Under no circumstance should the machine be operated without these devices in place.
- Alterations or modifications to this machine can reduce safety and could cause damage to the machine. Do not alter safety devices or operate with shields or covers removed.
- Before each use, verify that all controls function properly and inspect all safety devices. Do not operate if controls or safety devices are not in proper working condition.
- Check parking brake function before operating. Repair or adjust parking brake if necessary.
- Observe and follow all safety decals.
- All controls are to be operated from the operator's station only.
- Always wear a seat belt if the machine has a roll cage/bar installed and in upright position.
- Ensure the attachment or accessory is locked or fastened securely to the power unit before operating.
- Ensure that all bystanders are clear of the power unit and attachment before operating. Stop machine if someone enters your work area.
- Always be alert to what is happening around you, but do not lose focus on the task you are performing. Always look in the direction the machine is moving.
- Look behind and down before backing up to be sure of a clear path.
- If you hit an object, stop and inspect the machine. Make all necessary repairs before operating machine again.
- Stop operation immediately at any sign of equipment failure. An unusual noise can be a warning of equipment failure or a sign that maintenance is required. Make all necessary repairs before operating machine again.

SAFETY



General Safety Procedures for Ventrac Power Units, Attachments, & Accessories



Operation Safety (continued)

- If equipped with a high/low range feature, never shift between high and low range while on a slope. Always move the machine to level ground and engage the parking brake before shifting range.
- Do not leave machine unattended while it is running.
- Always park the machine on level ground.
- Always shut off engine when connecting attachment drive belt to the power unit.
- Never leave the operator's station without lowering the attachment to the ground, setting the parking brake, shutting off the engine, and removing the ignition key. Make sure all moving parts have come to a complete stop before dismounting.
- Never leave equipment unattended without lowering the attachment to the ground, setting the parking brake, shutting off the engine, and removing the ignition key.
- Only operate in well-lit conditions.
- Do not operate when there is a risk of lightning.
- Never direct the discharge of any attachment in the direction of people, buildings, animals, vehicles, or other objects of value.
- Never discharge material against a wall or obstruction. Material may ricochet back towards the operator.
- Use extra caution when approaching blind corners, shrubs, trees, or other objects that may obscure vision.
- Do not run the engine in a building without adequate ventilation.
- Do not touch the engine or the muffler while the engine is running or immediately after stopping the engine. These areas may be hot enough to cause a burn.
- Do not change the engine governor settings or over-speed the engine. Operating engine at excessive speed may increase the hazard of personal injury.
- To reduce the hazard of fire, keep the battery compartment, engine, and muffler areas free of grass, leaves, excessive grease, and other flammable materials.

Preventing Accidents



- Clear working area of objects that might be hit or thrown from machine.
- Keep people and pets out of working area.
- Know the work area well before operation. Do not operate where traction or stability is questionable.
- Reduce speed when you are operating over rough ground.
- Equipment can cause serious injury and/or death when improperly used. Before operating, know and understand the operation and safety of the power unit and the attachment being used.

- Do not operate machine if you are not in good physical and mental health, if you will be distracted by personal devices, or are under the influence of any substance which might impair decision, dexterity, or judgment.
- Children are attracted to machine activity. Be aware of children and do not allow them in the working area. Turn off the machine if a child enters the work area.

Keep Riders Off

- Only allow the operator on the power unit. Keep riders off.
- Never allow riders on any attachment or accessory.



SAFETY

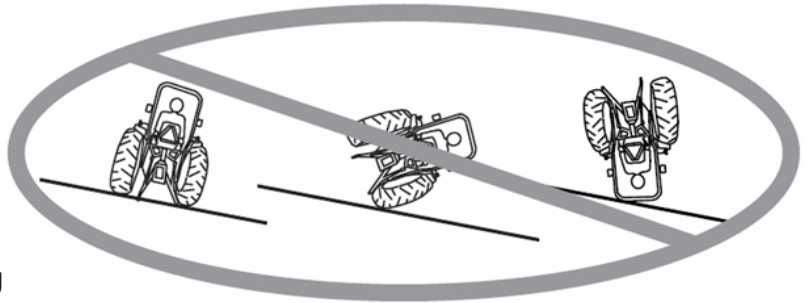


General Safety Procedures for Ventrac Power Units, Attachments, & Accessories



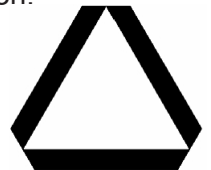
Operating On Slopes

- Slopes can cause loss-of-control and tip-over accidents, which can result in severe injury or death. Be familiar with the emergency parking brake, along with the power unit controls and their functions.
- If power unit is equipped with a fold down roll bar, it must be locked in the upright position when operating on any slope.
- Use low range (if equipped) when operating on slopes greater than 15 degrees.
- Do not stop or start suddenly when operating on slopes.
- Never shift between high and low range while on a slope. Always move the power unit to level ground and engage the parking brake before shifting range or placing the power unit in neutral.
- Variables such as wet surface and loose ground will reduce the degree of safety. Do not drive where machine could lose traction or tip over.
- Keep alert for hidden hazards in the terrain.
- Stay away from drop-offs, ditches, and embankments.
- Sharp turns should be avoided when operating on slopes.
- Pulling loads on hills decreases safety. It is the responsibility of the owner/operator to determine loads that can safely be controlled on slopes.
- Transport machine with attachment lowered or close to the ground to improve stability.
- While operating on slopes, drive in an up and down direction when possible. If turning is necessary while driving across slopes, reduce speed and turn slowly in the downhill direction.
- Assure a sufficient supply of fuel for continuous operation. A minimum of one-half tank of fuel is recommended.



Roadway Safety

- Operate with safety lights when operating on or near roadways.
- Obey all state and local laws concerning operation on roadways.
- Slow down and be careful of traffic when operating near or crossing roadways. Stop before crossing roads or sidewalks. Use care when approaching areas or objects that may obscure vision.
- If there is doubt of safety conditions, discontinue machine operation until a time when operation can be performed safely.
- When operating near or on roadways, have a Slow Moving Vehicle Emblem clearly displayed.



Truck Or Trailer Transport

- Use care when loading or unloading machine into a truck or trailer.
- Use full width ramps for loading machine into a truck or trailer.
- The parking brake is not sufficient to lock the machine during transport. Always secure the power unit and/or attachment to the transporting vehicle securely using straps, chains, cable, or ropes. Both front and rear straps should be directed down and outward from the machine.
- Shut off fuel supply to power unit during transport on truck or trailer.
- If equipped, turn the battery disconnect switch to the Off position to shut off electrical power.

SAFETY



General Safety Procedures for Ventrac Power Units, Attachments, & Accessories



Maintenance

- Keep all safety decals legible. Remove all grease dirt, and debris from safety decals and instructional labels.
- If any decals are faded, illegible, or missing, contact your dealer promptly for replacements.
- When new components are installed, be sure that current safety decals are affixed to the replacement components.
- If any component requires replacement, use only original Ventrac replacement parts.
- Always turn the battery disconnect to the Off position or disconnect the battery before performing any repairs. Disconnect the negative terminal first and the positive terminal last. Reconnect the positive terminal first and the negative terminal last.
- Keep all bolts, nuts, screws, and other fasteners properly tightened.
- Always lower the attachment to the ground, engage parking brake, shut off engine, and remove the ignition key. Make sure all moving parts have come to a complete stop before cleaning, inspection, adjusting or repairing.
- If the power unit, attachment, or accessory requires repairs or adjustments not instructed in the operator's manual, the power unit, attachment, or accessory must be taken to an authorized Ventrac dealer for service.
- Never perform maintenance on the power unit and/or attachment if someone is in the operator's station.
- Always use protective glasses when handling the battery.
- Check all fuel lines for tightness and wear on a regular basis. Tighten or repair them as needed.
- To reduce the hazard of fire, keep the battery compartment, engine, and muffler areas free of grass, leaves, and excessive grease.
- Do not touch the engine, the muffler, or other exhaust components while the engine is running or immediately after stopping the engine. These areas may be hot enough to cause a burn.
- Allow the engine to cool before storing and do not store near an open flame.
- Do not change the engine governor settings or over-speed the engine. Operating engine at excessive speed may increase the hazard of personal injury.
- Springs may contain stored energy. Use caution when disengaging or removing springs and/or spring loaded components.
- An obstruction or blockage in a drive system or moving/rotating parts may cause a buildup of stored energy. When the obstruction or blockage is removed, the drive system or moving/rotating parts may move suddenly. Do not attempt to remove an obstruction or blockage with your hands. Keep hands, feet, and clothing away from all power-driven parts.
- Dispose of all fluids in accordance with local laws.

Fuel Safety



- To avoid personal injury or property damage, use extreme care in handling gasoline. Gasoline is extremely flammable and the vapors are explosive.
- Do not refuel machine while smoking or at a location near flames or sparks.
- Always refuel the machine outdoors.
- Do not store machine or fuel container indoors where fumes or fuel can reach an open flame, spark, or pilot light.
- Only store fuel in an approved container. Keep out of reach of children.
- Never fill containers inside a vehicle or on a truck or trailer bed with a plastic liner. Always place containers on the ground away from your vehicle before filling.
- Remove machine from the truck or trailer and refuel it on the ground. If this is not possible, refuel the machine using a portable container, rather than from a fuel dispenser nozzle.
- Never remove fuel cap or add fuel with the engine running. Allow engine to cool before refueling.
- Never remove fuel cap while on a slope. Only remove when parked on a level surface.
- Replace all fuel tank and container caps securely.

SAFETY



General Safety Procedures for Ventrac Power Units, Attachments, & Accessories



Fuel Safety (continued)

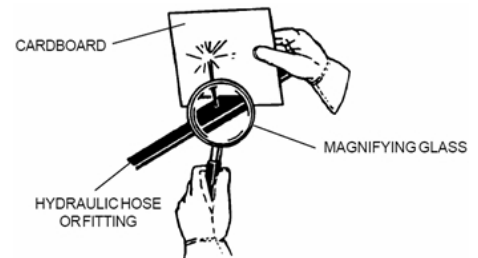
- Do not overfill fuel tank. Only fill to bottom of fuel neck, do not fill fuel neck full. Overfilling of fuel tank could result in engine flooding, fuel leakage from the tank, and/or damage to the emissions control system.
- If fuel is spilled, do not attempt to start the engine. Move the power unit away from the fuel spill and avoid creating any source of ignition until fuel vapors have dissipated.
- If the fuel tank must be drained, it should be drained outdoors into an approved container.
- Dispose of all fluids in accordance with local laws.
- Check all fuel lines for tightness and wear on a regular basis. Tighten or repair them as needed.
- The fuel system is equipped with a shut-off valve. Shut off the fuel when transporting the machine to and from the job, when parking the machine indoors, or when servicing the fuel system.

Hydraulic Safety

- Make sure all hydraulic connections are tight and all hydraulic hoses and tubes are in good condition. Repair any leaks and replace any damaged or deteriorated hoses or tubes before starting the machine.
- Hydraulic leaks can occur under high pressure. Hydraulic leaks require special care and attention.
- Use a piece of cardboard and a magnifying glass to locate suspected hydraulic leaks.



- Keep body and hands away from pinhole leaks or nozzles that eject high pressure hydraulic fluid. Hydraulic fluid escaping under high pressure can penetrate the skin causing serious injury, leading to severe complications and/or secondary infections if left untreated. If hydraulic fluid is injected into the skin, seek immediate medical attention no matter how minor the injury appears.



- Hydraulic system may contain stored energy. Before performing maintenance or repairs on the hydraulic system, remove attachments, engage parking brake, disengage weight transfer system (if equipped), shut off engine, and remove ignition key. To relieve pressure on the auxiliary hydraulic system, shut off the power unit engine and move the hydraulic control lever left and right before disconnecting the auxiliary hydraulic quick couplers.
- Dispose of all fluids in accordance with local laws.

SAFETY



RV602 Safety Procedures



WARNING

The engine exhaust from this product contains chemicals known to the State of California to cause cancer, birth defects, or other reproductive harm.

CALIFORNIA PROPOSITION 65 Battery Warning

Battery posts, terminals, and related accessories contain lead and lead compounds, chemicals known to the State of California to cause cancer and reproductive harm. Wash hands after handling!

- Maximum degree of operation is 10° if the power unit is equipped with single wheels or 15° if the power unit is equipped with dual wheels. On slopes of 10° or greater, the power unit's weight transfer system must be engaged.
- Do not operate power unit, mower, or collection vacuum with the collection bin in a raised position except when on a level surface and to empty the collection bin.
- A mower deck must be attached to the front of the power unit anytime the collection system is attached.
- The mower deck must be in the raised position when raising the collection bin.
- Shut off both the power unit and the collection vacuum engines when refueling.
- Do not connect or disconnect the collection vacuum battery cable while refueling.

Engine and Blower Fan Safety

- Rotating fan blades may cause personal injury. Never operate the RV602 collection vacuum with the hose removed, the inlet duct removed, or the collection bin in the raised position. Always remove the ignition key and ensure that all moving parts have stopped rotating before servicing.

Cutting Unit Safety

- Rotating Blades: Contact with the rotating mower blades or other moving parts may cause personal injury. Keep hands and feet away.
- Rotation of one blade may cause another blade to rotate.
- DO NOT modify or remove any of this equipment's shields, safety devices, or warning labels.
- Never operate the mower deck without the discharge chute or the collection boot in place.
- Thrown Object Hazard: Do not point discharge toward people, animals, or buildings when operating. Never operate with the deflectors removed.
- When not mowing, always shut off the PTO to stop the mower blades.



Material Collection Safety

- Always empty the collection vacuum after every use. Do not store with material left in the collection bin. Decomposing material stored in the collection bin may result in spontaneous combustion.

Safety Interlock System

If the collection bin is raised while the collection vacuum engine is running, the engine will automatically shut off. The engine can be restarted after the collection bin is lowered and it is safe to resume operation.

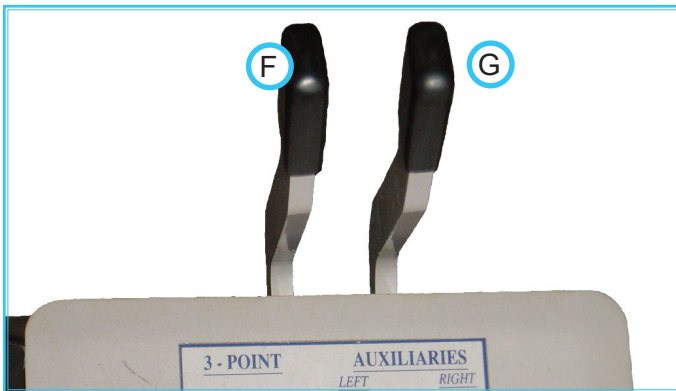
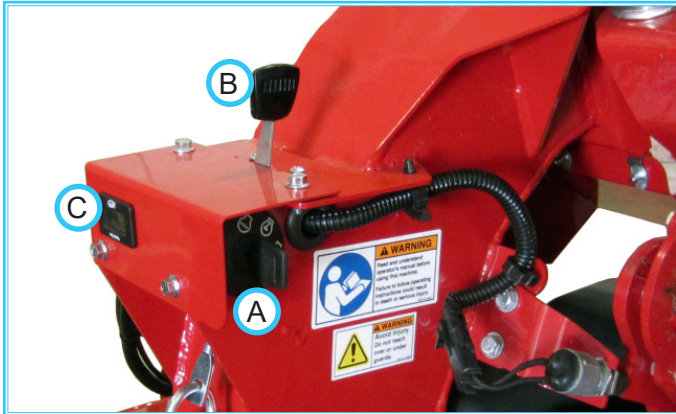
Testing The Safety Interlock System

Perform the following safety interlock tests daily. Test the switch operation according to the following procedure.

- Confirm the collection bin is lowered completely to the down position.
- Start the collection vacuum engine.
- Raise the collection bin. The collection vacuum engine should automatically shut off within the first two inches (5 cm) of movement of the collection bin.

If this test fails, do not use the RV602. Refer to **Automatic Engine Shut-off Switch** in the service section of this manual for servicing procedures.

OPERATIONAL CONTROLS



Operational Control Locations

The images above match with the following reference letters to help identify the location of operational controls for the RV602 collection vacuum.

A - Ignition Key Switch

B - Throttle

C - Hour Meter

D - Choke

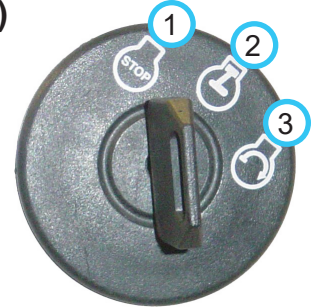
E - Fuel Shut-off Lever

F - Left Rear Auxiliary Hydraulics Handle

G - Right Rear Auxiliary Hydraulics Handle

Ignition Key Switch (A)

1. Off or Stop Position. Shuts off the collection vacuum engine.
2. On or Run Position. Engine run position.
3. Start Position. When key is turned to the start position, the starter will engage.



Throttle (B)

Moving the lever to the right increases the engine Revolutions Per Minute (RPM). Moving the lever to the left slows the engine to an idle.

Hour Meter (C)

Displays the engine run time in hours.

Choke (D)

Moving the choke lever to the choke position aids in starting a cold engine.

Fuel Shut-off Lever (E)

The fuel shut-off lever controls the flow of fuel to the collection vacuum engine. Moving the fuel shut-off lever to the left shuts off the flow of fuel to the engine. Turn off the fuel shut-off valve when transporting the collection vacuum on a truck or trailer and when parking the collection vacuum indoors.

Left Rear Auxiliary Hydraulics Handle (F)*

The collection bin is raised and lowered using the left rear auxiliary hydraulics handle. Pull back on this handle to raise the collection bin. Push forward on this handle to lower the collection bin.

Right Rear Auxiliary Hydraulics Handle (G)*

The collection bin door is opened and closed using the right rear auxiliary hydraulics handle. Pull back on the lever to open the door. Push forward on the lever to close and latch the door.

* Refer to power unit operator's manual for operation of power unit controls.

GENERAL OPERATION

Daily Inspection

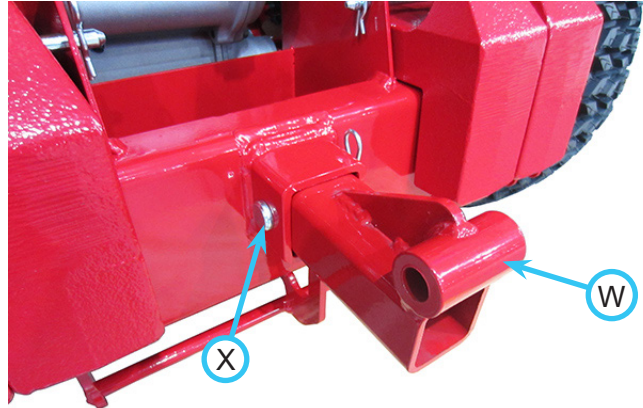
⚠ WARNING

Always set the parking brake, shut off power unit engine, remove the ignition key, and ensure all moving parts have come to a complete stop before inspecting components, or attempting any repair or adjustment.

1. Park power unit and collection vacuum on a level surface, with the engine shut off and all fluids cold.
2. Perform a visual inspection of both the power unit and the collection vacuum. Ensure the collection vacuum is properly fastened to the power unit. Look for loose or missing hardware, damaged components, or signs of wear.
3. Inspect hydraulic hoses, hydraulic fittings, and fuel lines to ensure tight, leak free connections.
4. Check the collection vacuum's engine fuel level. Add fuel as required.
5. Refer to the power unit operator's manual. Check the power unit's engine oil, hydraulic oil, cooling system, tire pressure, and fuel level. Add fluid or service as required.
6. If a mower deck will be used, inspect the mower deck, drive belts and mower blades. Belts should be in good condition. Blades should be sharp and securely fastened. Service as required.
7. Test the collection vacuum's operator safety interlock system. Refer to **Safety Interlock System** in the safety section of this manual.
8. Test the power unit's operator safety interlock system*.

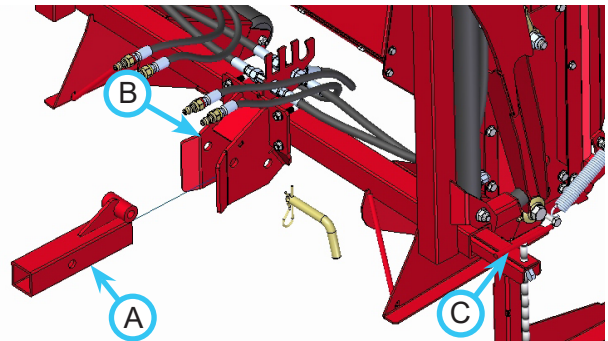
Attaching

1. Insert the RV hitch (W) into the power unit's hitch receiver tube. Insert the hitch pin (X) through the receiver tube and RV hitch and secure with the hairpin.



⚠ NOTE: if your power unit is equipped with a 3 point hitch, the center weight must be removed in order to install the RV hitch.

2. Align the RV hitch (A) with the collection vacuum

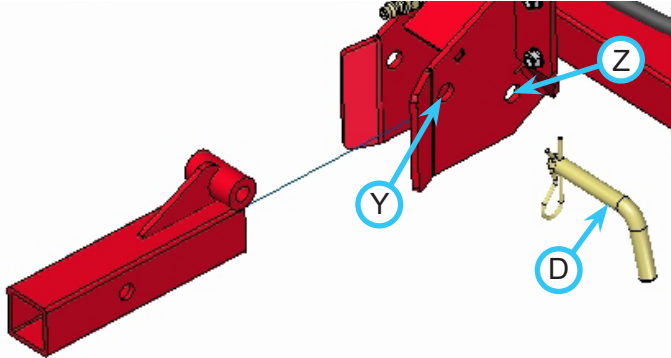


hitch (B) and back slowly into position. If the collection vacuum is not at the correct height, turn the handles of the caster wheel stands (C) to raise or lower the collection vacuum to the correct height. (NOTE: The terrain, tire pressure, and attachment on the front of the power unit can affect the height of the power unit hitch.)

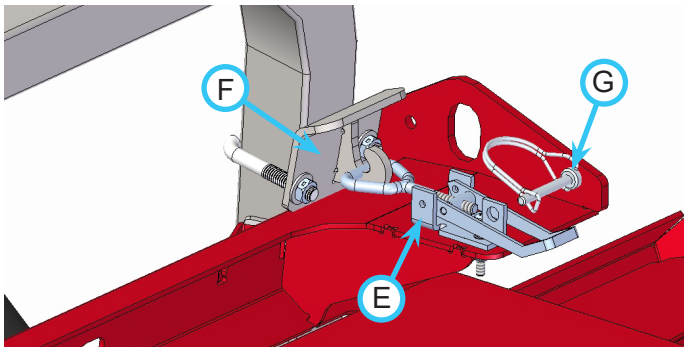
* Refer to power unit operator's manual for operation of power unit controls.

GENERAL OPERATION

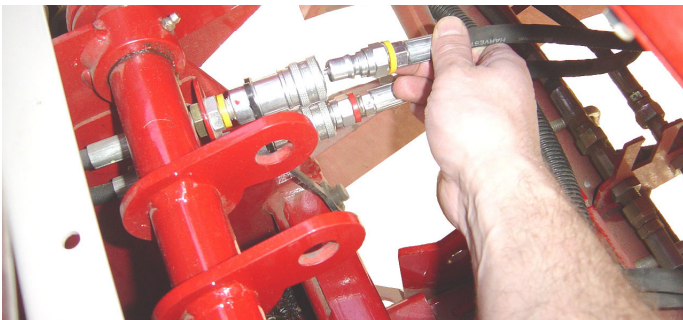
3. Install the pin (D) to couple the power unit hitch to the collection vacuum hitch.
On power units equipped with standard hitch, install pin in location Y.
On power units equipped with 3 point hitch, install pin in location Z.



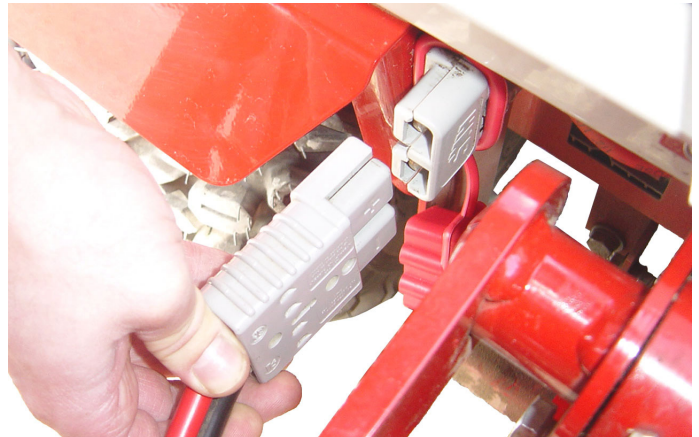
4. Engage the roll bar latches (E) to the roll bar mounts (F) and install the retainer pins (G).



5. Connect the left set of hydraulic hoses to the left hydraulic couplers of the power unit. Match the red and yellow indicators on the hose ends to the corresponding indicators on the quick couplers.
6. Connect the right set of hydraulic hoses to the right hydraulic couplers of the power unit. Match the red and yellow indicators on the hose ends to the corresponding indicators on the quick couplers.



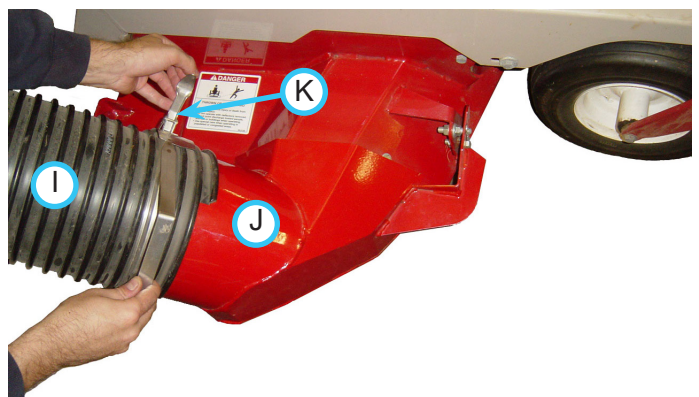
7. Connect the battery cable to the quick connect plug located to the left of the hydraulic couplers.



8. Remove the caster wheel stands.
9. Connect the mower collection boot to the mower deck. (May require the removal of the flexible discharge chute.) Install the keeper pins (H) to secure the collection boot to the mower deck.



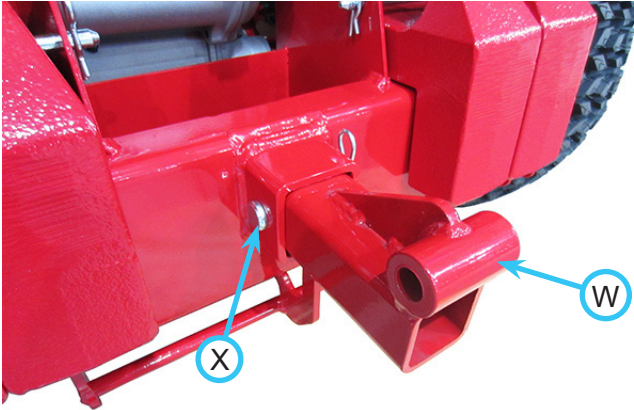
10. Connect the suction hose (I) to the collection boot (J). Fasten the clamp (K) in place to secure the suction hose to the collection boot.



GENERAL OPERATION

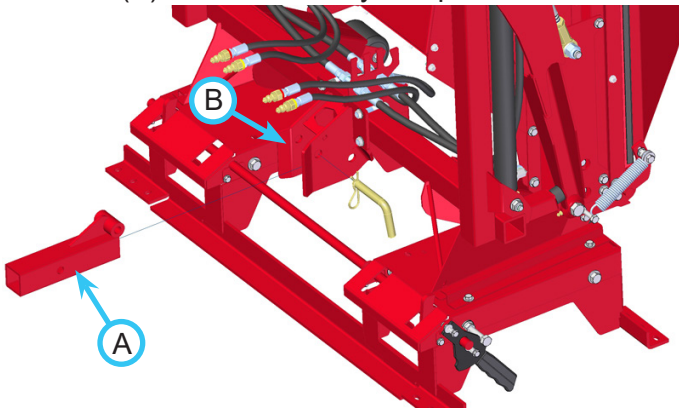
Attaching Using Optional Docking Station

1. Insert the RV hitch (W) into the power unit's hitch receiver tube. Insert the hitch pin (X) through the receiver tube and RV hitch and secure with the hairpin.

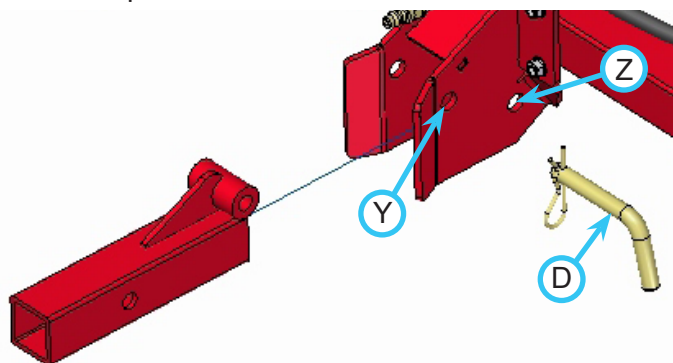


▲ NOTE: if your power unit is equipped with a 3 point hitch, the center weight must be removed in order to install the RV hitch.

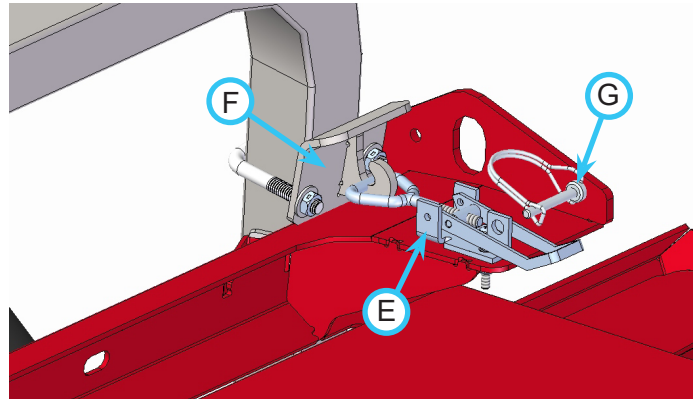
2. Align the RV hitch (A) with the collection vacuum hitch (B) and back slowly into position.



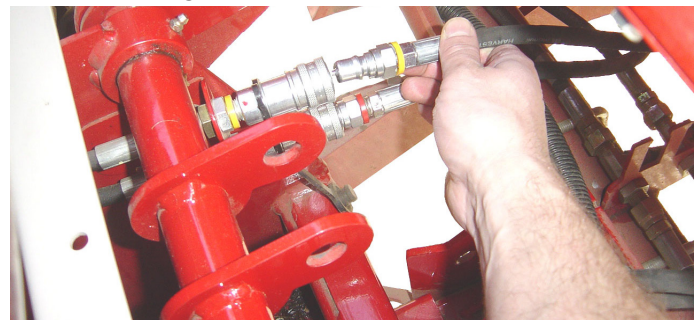
3. Install the pin (C) to couple the power unit hitch to the collection vacuum hitch.
On power units equipped with standard hitch, install pin in location Y.
On power units equipped with 3 point hitch, install pin in location Z.



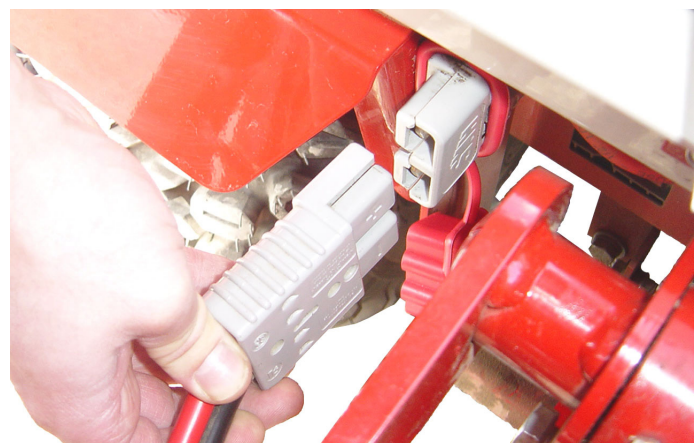
4. Engage the roll bar latches (E) to the roll bar mounts (F) and install the retainer pins (G).



5. Connect the left set of hydraulic hoses to the left hydraulic couplers of the power unit. Match the red and yellow indicators on the hose ends to the corresponding indicators on the quick couplers.
6. Connect the right set of hydraulic hoses to the right hydraulic couplers of the power unit. Match the red and yellow indicators on the hose ends to the corresponding indicators on the quick couplers.

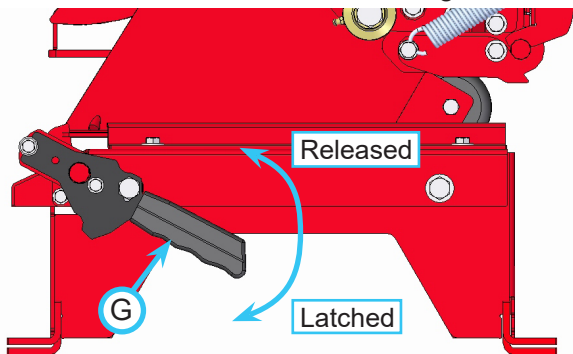


7. Connect the battery cable to the quick connect plug located to the left of the hydraulic couplers.



GENERAL OPERATION

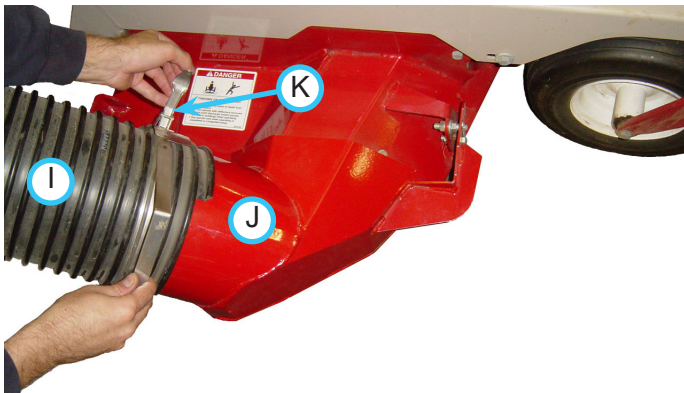
8. Rotate the docking station handle (G) to release the collection vacuum from the docking station.



9. Connect the mower collection boot to the mower deck. (May require the removal of the flexible discharge chute.) Install the keeper pins (H) to secure the collection boot to the mower deck.



10. Connect the suction hose (I) to the collection boot (J). Fasten the clamp (K) in place to secure the suction hose to the collection boot.



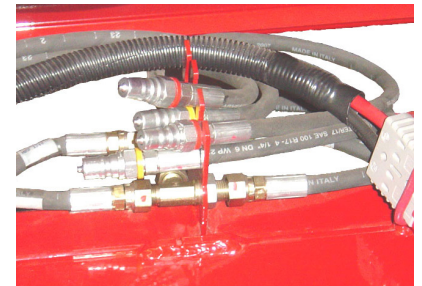
Detaching

1. Ensure the collection bin is empty, the collection bin door is closed and latched, and the collection bin is lowered completely to the down position.

⚠ WARNING

Always empty the collection bin after use. Never store the collection vacuum with material in the collection bin.

2. Position the power unit so the collection vacuum is at the desired location for detachment.
3. Place the power unit in park and shut off the engine. Move the lift and door hydraulic levers to relieve pressure that may be present in the hydraulic system.
4. Install the caster wheel stands (one on each side of the collection vacuum). Turn the handles until some of the weight is on the caster wheel stands and the collection vacuum begins to rise.
5. Disconnect the collection boot from the mower deck (if attached).
6. Disconnect the four hydraulic hoses and store them in the hose holder.
7. Disconnect the battery cable.
8. Remove the retainer pins from the roll bar latches, release the latches, and unhook the latches from the roll bar mounts.



Resume raising the collection vacuum with the caster wheel stands. Lift the collection vacuum until the weight is no longer on the power unit. When the hitch pin turns freely, remove the securing clip and remove the pin. The power unit can now be driven away from the collection vacuum.

⚠ DANGER

Never operate the mower deck without the discharge chute or the collection boot in place.

GENERAL OPERATION

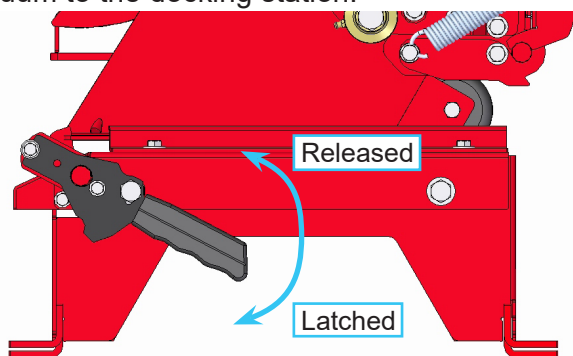
Detaching Using Optional Docking Station

1. Ensure the collection bin is empty, the collection bin door is closed and latched, and the collection bin is lowered completely to the down position.

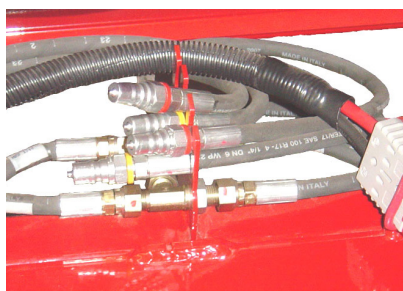
⚠ WARNING

Always empty the collection bin after use. Never store the collection vacuum with material in the collection bin.

2. Ensure the docking station is in the released position. Back the collection vacuum onto the docking station until it contacts the stops.
3. Place the power unit in park and shut off the engine. Move the lift and door hydraulic levers to relieve pressure that may be present in the hydraulic system.
4. Rotate the handle of the docking station to engage the latches and lock the collection vacuum to the docking station.



5. Disconnect the collection boot from the mower deck (if attached).
6. Disconnect the four hydraulic hoses and store them in the hose holder.
7. Disconnect the battery cable.
8. Remove the retainer pins from the roll bar latches, release the latches, and unhook the latches from the roll bar mounts.
9. Remove the hitch pin. The power unit can now be driven away from the collection vacuum.



⚠ DANGER

Never operate the mower deck without the discharge chute or the collection boot in place.

Mowing and Operating Procedure

1. Perform daily inspection.
2. Verify the collection bin door is closed and latched, the mower deck is set to the desired cutting height, and the power unit's weight transfer system is set at the desired position.
3. Inspect the area where the power unit and collection vacuum will be used. The area should be clear of bystanders, debris, and other obstacles that will impede the safe operation of the mower and collection vacuum.
4. Start the collection vacuum engine. When the engine is cold, it may be necessary to engage the choke and start the engine while standing beside the collection vacuum. (After the initial startup, the engine can be stopped and started from the operator's seat.)
5. Start the power unit engine. Allow the power unit and collection vacuum engines to warm up to operating temperature before beginning operation.
6. Move the throttle of the collection vacuum engine to full throttle and start the power unit PTO to begin mowing.
7. Begin mowing. Avoid obstacles and objects which may plug or damage the collection vacuum. See "Mowing Speed" section.
8. When the level in the collection bin reaches the bottom of the viewing window, the performance of the collection vacuum will begin to decrease. Stop and empty the bin at this time to maintain the best performance. See "Emptying the Collection Bin".

⚠ DANGER

Never operate the mower deck without the discharge chute or the collection boot in place.

⚠ WARNING

If using the collection vacuum with an HM602, HP722, MS600, or MT720 mower, the power unit cannot be equipped with dual wheels, due to the potential of the collection hose contacting the right front dual wheel when making a left hand turn, causing damage to the hose.

GENERAL OPERATION

Mowing Speed

When using the collection vacuum, travel speed will typically need to be slower than when mowing without the collection vacuum.

Travel speed may need to be further reduced when mowing thick, tall, or wet grass or leaves.

Travel speed may be increased in normal mowing situations or as conditions safely allow.

If clippings are not being picked up, the travel speed may need reduced, or there may be an obstruction present in the collection vacuum. See “Checking For and Removing Obstructions from the Collection Vacuum”.

Checking For and Removing Obstructions from the Collection Vacuum

In thick, tall, or wet grass, the potential increases for an obstruction to develop and plug the collection vacuum. Additionally, if the collection bin is over-filled, an obstruction may develop.

1. If an obstruction develops, stop the power unit, set the parking brake, shut off the power unit PTO, and shut off the collection vacuum engine. Wait until all parts have stopped moving before leaving the operator’s seat.
2. Check the collection boot first. Uncouple the suction hose from the collection boot. If an obstruction is present, remove the obstruction from the collection boot.
3. Check the suction hose. With the hose uncoupled from the collection boot, shake the suction hose so that any material present in the suction hose will fall out. Pull material out, if necessary.
4. If the obstruction is not in either the collection boot or the suction hose, the obstruction may be present in the outlet of the fan system. Raise the collection bin and install the cylinder lock-out to secure the bin in the raised position. Remove any material using a stick or similar object.
5. In rare occasions, the inlet to the fan can become obstructed. If this occurs, remove the suction hose from the fan inlet and remove the obstruction.

Emptying the Collection Bin

1. When it is time to empty the collection bin, shut off the power unit PTO and slow the collection vacuum engine to an idle. Drive the power unit and collection vacuum to the location that the collection bin will be emptied. Turn off the collection vacuum engine when the location is reached.
2. With the power unit on level ground, back the power unit to approximately six feet away from the receptacle or disposal area.



Attention

When raising the collection bin, the mower deck must also be in the raised position.

3. Raise the collection bin to the required height for the receptacle. If emptying on the ground, the bin does not need raised to open the collection bin door.
4. Back the power unit up until the collection bin is over the receptacle or disposal area.
5. Open the collection bin door to empty the collection bin.
6. After the collection bin is empty, close the collection bin door.
7. Drive the power unit forward until the bin can be lowered without contact with the receptacle.
8. Lower the collection bin.
9. The collection vacuum is now ready to resume mowing.

NOTE: Periodically check the air intake of the collection vacuum engine to ensure that material does not accumulate on the air intake. Check more frequently if emptying the collection bin during windy conditions.

Transport of the Power Unit and RV602 Collection Vacuum

Always shut off the collection vacuum engine and the power unit PTO prior to transport.

Always empty the collection bin prior to transport.

Always lower the collection bin to the operating position and raise the mower deck prior to transport.

Always drive carefully, exercising caution on slopes and when making turns.

SERVICE

⚠ WARNING

Always set the parking brake, shut off power unit engine, remove the ignition key, and ensure all moving parts have come to a complete stop before inspecting components or attempting any repair or adjustment.



Attention

If any component requires replacement, use only original Ventrac replacement parts.

Cleaning and General Maintenance

For best results, and to maintain the finish of the RV602 collection vacuum, clean or wash the equipment to remove accumulated clippings, leaves, or dirt when the job is finished.

When washing, always allow time for the equipment to cool before cleaning. Exercise caution to avoid spraying water directly into bearings, seals, or the engine. After washing, it is important to run the mower and the collection vacuum engine to disperse accumulated water.

Servicing the Collection Vacuum with the Bin in the Raised Position



A cylinder lockout is provided with the RV602 and is stored on the right lift arm of the collection vacuum. To use, raise the collection bin to the highest position. Remove the cylinder lockout from the storage position and install over the rod of the right lift cylinder-

der. Use the safety snap pin to secure the cylinder lockout to the cylinder.

Power Unit Tire Pressure

Single tires - Inflate all tires to 15 psi (103 kPa).

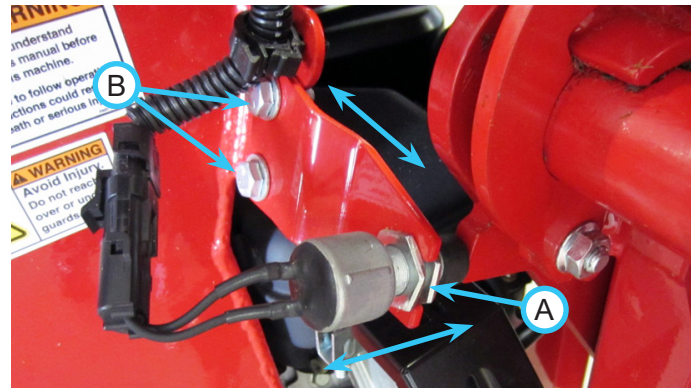
Dual wheels - Inflate inner tires to 15 psi (103 kPa) and outer tires to 6-8 psi (41-55 kPa).

Automatic Engine Shut-off Switch

When the collection vacuum bin is raised, the collection vacuum engine should automatically shut off within the first 2 inches (5 cm) of bin travel. If the engine fails to shut off within the first 2 inches (5 cm) of movement, the shut-off switch must be adjusted. Alternately, if the switch is out of adjustment, it may prevent the collection vacuum engine from starting even when the bin is completely lowered.

If the switch needs to be adjusted in or out, loosen the nuts (A) that secure the switch and adjust the switch location so that the engine shut-off occurs when directed.

If the switch needs to be adjusted side to side, loosen the bolts (B) that fasten the switch bracket to the fan housing and adjust the switch so that it is centered with the right bin lift arm.



After switch is properly positioned, retighten the nuts and/or bolts. Contact your Ventrac servicing dealer if, after adjusting the switch, the engine still does not shut off within the first 2 inches (5 cm) of travel.

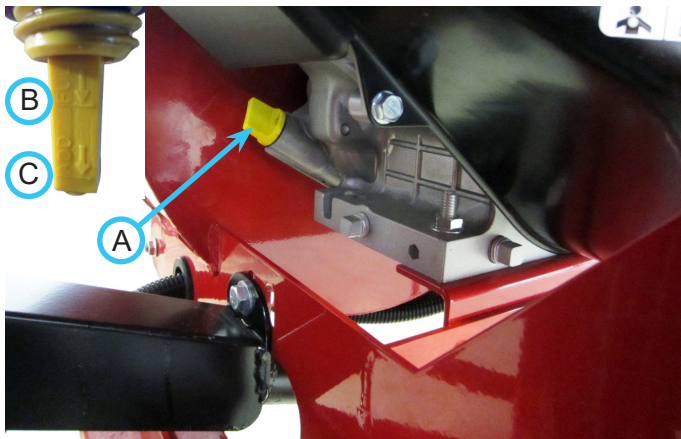
SERVICE

Checking Engine Oil Level

⚠ ATTENTION: Avoid damage to your engine. Failure to check the oil level regularly could lead to serious damage to your engine if the engine is run with an incorrect oil level.

- Before operation, check engine oil with the unit sitting on a level surface.
- Check oil level when the engine is cold and not running
- Keep oil level between the FULL and ADD marks.
- Shut off engine before adding oil.

1. Park the power unit and collection vacuum on a level surface.
2. Engage the power unit's parking brake and shut off the engine.
3. Remove the power unit's key from the ignition switch.
4. Shut off the collection vacuum engine and remove the ignition key from the switch.
5. Allow the engine and oil to cool.
6. Remove the dipstick (A) located at the base of the engine, behind the fan housing.



7. Check oil level. The oil level should be between the Full (B) and Add (C) marks of the dipstick.
8. If the oil level is low, add small amounts of oil to bring the oil level no higher than the full mark of the dipstick.
9. If the oil level is above the full mark, drain to achieve the proper oil level.

Changing Engine Oil

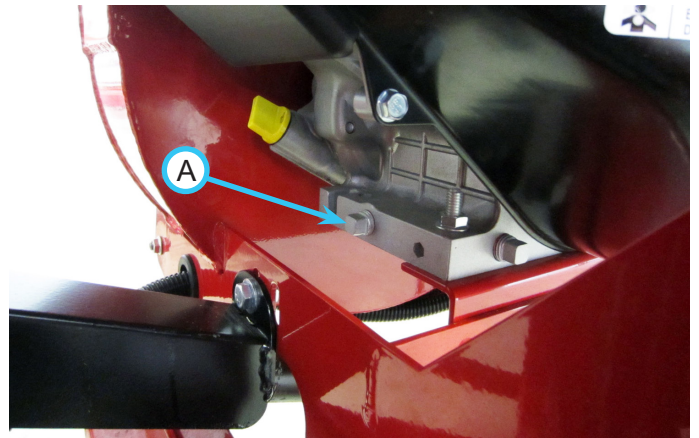
⚠ CAUTION

Contact with engine oil can irritate your skin. Wear protective gloves when working with engine oil. If you come in contact with engine oil, wash it off immediately.

⚠ CAUTION

Oil is hazardous to the environment. Drain engine oil into an approved container. Dispose of used engine oil in accordance with local laws.

1. Park the power unit and collection vacuum on a level surface.
2. Engage the power unit's parking brake and shut off the engine.
3. Remove the power unit's key from the ignition switch.
4. Run the collection vacuum engine for 5 minutes to warm up the oil.
5. Shut off the engine and remove the ignition key from the switch.
6. Place a drain pan underneath the oil drain (A).



⚠ WARNING

Hot engine oil can cause severe burns. Allow the engine temperature to drop from hot to warm before draining the oil.

7. Remove the oil drain plug and drain the oil into the oil pan while the oil is warm.
8. After the oil has drained, install and tighten the oil drain plug.
9. Remove the dipstick from the engine.

SERVICE

10. Add oil to engine. (See Engine Owner's Manual for proper oil and capacity.)
11. Install the dipstick. Remove and check the oil level. Oil level should be at the full mark on the dipstick.
12. Install the dipstick.

Servicing Air Filter Elements

⚠ CAUTION

AVOID ENGINE DAMAGE!

When removing the air filter element, an opening directly to the internal parts of the engine is created.

Be sure that nothing falls into the air intake. Have the new filter element ready to install immediately after the old element has been removed.

⚠ **ATTENTION:** Avoid damage to your engine! Improper service to the engine air filter can result in severe engine damage.

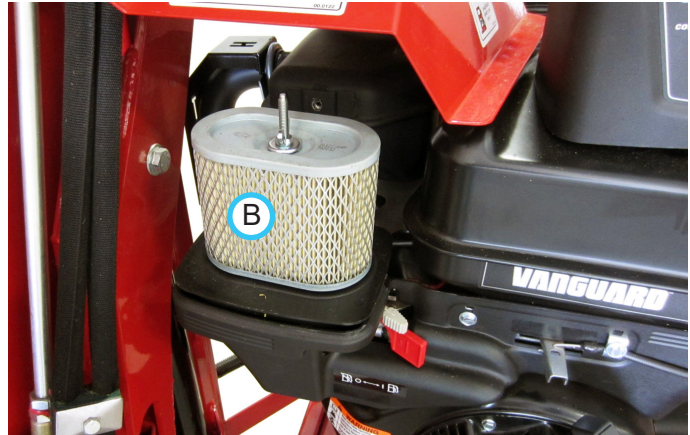
- Inspect filter daily in extreme heat, dust, or other severe conditions.
- Never run engine without proper air filter installed.
- Do not wash paper filter element.
- Do not oil foam pre-cleaner element.
- Do not use pressurized air to clean paper filter element.

1. If the collection vacuum engine is hot, allow the engine to cool before servicing air filters.
2. Unscrew the plastic nut on top of the air cleaner cover and remove the air cleaner cover (A).



3. Remove the pre-cleaner from the air filter.

4. Unscrew the wing nut on top of the air filter (B) and remove the air filter.



5. To loosen debris, gently tap the filter on a hard surface. If the filter is excessively dirty, replace with a new filter.
6. Install the air filter and secure with the wing nut.
7. Wash the pre-cleaner in liquid detergent and water. Allow the pre-cleaner to thoroughly air dry. **Do not** oil the pre-cleaner.
8. Install the pre-cleaner onto the air filter.
9. Reinstall the air filter cover and secure with the plastic nut.

Filling The Fuel Tank

⚠ DANGER

Fuel is flammable and/or explosive. Follow all safety instructions in the Fuel Safety section of this manual and in the engine operator's manual.

⚠ WARNING

Long term exposure to fuel vapors can cause serious injury or illness. Avoid prolonged breathing of fuel vapors.

If fuel is spilled on skin or clothing, change clothing and wash affected skin immediately.

⚠ CAUTION

Avoid damage to your engine!

Only use fuel that meets the specifications required for your engine. Refer to the engine operator's manual for the proper grade and specifications of fuel for your engine.

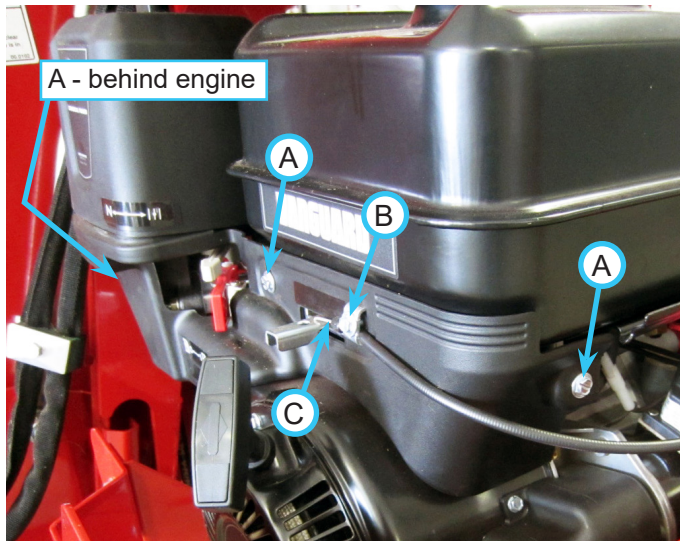
1. Park the power unit and collection vacuum on a level surface.

SERVICE

2. Engage the power unit's parking brake and shut off the engine.
3. Remove the power unit's key from the ignition switch.
4. Shut off the collection vacuum engine and remove the ignition key from the switch.
5. Allow the engine to cool.
6. Wipe any dust and dirt off the fuel cap and tank to prevent dirt from entering the fuel tank, and remove the fuel cap.
7. Add fuel to the tank until the fuel level reaches the bottom of the fuel neck. Do not overfill. Keep the fuel nozzle in contact with the rim of the fuel neck until fueling is completed.
8. Replace the fuel cap.
9. Wipe up any fuel spills and allow fuel vapors to dissipate before starting the engine.

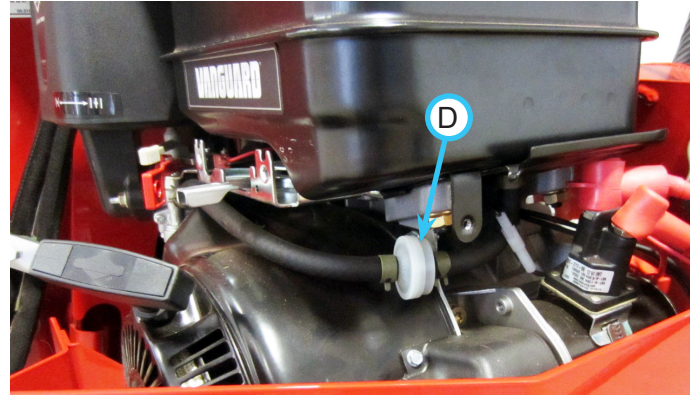
Changing The Fuel Filter

1. Park the power unit and collection vacuum on a level surface.
2. Engage the power unit's parking brake and shut off the engine.
3. Remove the power unit's key from the ignition switch.
4. If the collection vacuum engine is hot, allow the engine to cool before servicing the fuel filter.
5. Remove 3) bolts (A) that fasten the cover to the engine.



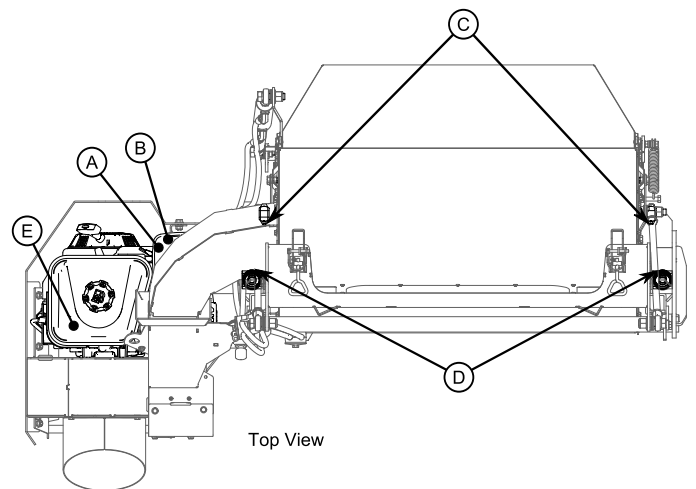
6. Remove the bolt (B) and cable clamp that fasten the cover and the throttle cable to the engine.
7. Remove the throttle cable (C) from the lever and remove the cover from the engine.
8. Drain the fuel tank into a clean fuel container.

9. Loosen the hose clamps and remove the fuel filter (D).



10. Install the new fuel filter with the flow arrow pointing toward the carburetor and secure with the hose clamps.
11. Reinstall the cover onto the engine using the 3) bolts removed in step 5.
12. Install the throttle cable end back onto the engine throttle lever and fasten the cable to the engine using the bolt and cable clamp removed in step 6.

Service & Lubrication Diagram



Service Every 25 Hours				
Action	Item	Description		
Clean	A	Air Filter		
	B	Air Filter Pre Cleaner		
Service Every 50 Hours				
Action	Item	Description	# of Locations	# of Pumps
Grease*	C	Collection Bin Pivot	2	1
	D	Cylinder End	4	1
Change	E	Engine Oil ¹ Capacity: 26-28 oz (0.77-0.83 L)		

*Lithium complex NLGI #2 grease.

SERVICE

Storage

Preparing the Collection Vacuum Engine for Storage

1. Clean the engine of any surface debris, chaff, or grass.
2. Change the engine oil to prevent damage that can be caused by acidic build up in used motor oil.
3. To prevent acid and gum deposits from stale fuel from forming in the fuel system or on essential carburetor parts, add a good quality fuel stabilizer to the fuel tank following the manufacturer's recommended mixing ratio.
4. Start the collection vacuum engine and run for 2-3 minutes to circulate the stabilizer throughout the fuel system. The engine and fuel can then be stored for the length indicated on the fuel stabilizer bottle.
5. If the fuel in the tank has not been treated with a fuel stabilizer, drain the fuel into an approved container, start the engine, and allow to run until the engine stops from lack of fuel.
6. Turn off the collection vacuum engine and remove the ignition key.
7. Move the fuel shut-off lever to the Off position.

Preparing the Collection Vacuum for Storage

1. Clean the collection vacuum and engine.
2. Inspect for loose or missing hardware, damaged components, or signs of wear.
3. Inspect safety decals. Replace any safety decals that are faded, illegible, or missing.
4. Inspect hydraulic hoses and fittings to ensure tight, leak free connections. Repair or replace any damaged or worn components.
5. Inspect the collection bin, frame, fan housing, and engine. Repair or replace any damaged or worn components.
6. Apply grease to all points specified in the maintenance section. Wipe off any excess grease.
7. Store in a clean, dry area.

Removing the Collection Vacuum from Storage

1. Clean the collection vacuum to remove any accumulated dust or debris.
2. Attach the collection vacuum to the power unit.
3. Inspect the collection vacuum as instructed in the daily inspection section of this manual.
4. Test the collection vacuum to ensure all components are working properly.

SERVICE

Maintenance Schedule

Maintenance Schedule	# of Locations	# of Pumps	AS NEEDED	After First 5 Hrs.	Daily	At 25 Hours	At 50 Hours	At 75 Hours	At 100 Hours	At 125 Hours	At 150 Hours	At 175 Hours	At 200 Hours	At 225 Hours	At 250 Hours	At 275 Hours	At 300 Hours	At 325 Hours	At 350 Hours	At 375 Hours	At 400 Hours	At 425 Hours	At 450 Hours	At 475 Hours	At 500 Hours	Yearly	
																											Grease & Lubrication: See Lubrication Section
Lift Cylinder End	4	^	✓		✓	✓	✓	✓	✓	✓	✓	✓	✓	✓	✓	✓	✓	✓	✓	✓	✓	✓	✓	✓	✓	✓	✓
Bin/Lift Arm Pivot	2	^	✓		✓	✓	✓	✓	✓	✓	✓	✓	✓	✓	✓	✓	✓	✓	✓	✓	✓	✓	✓	✓	✓	✓	✓
Engine ¹																											
Check Engine Oil Level				✓																							
Change Engine Oil & Filter ^{1*}			✓			✓		✓		✓		✓		✓		✓		✓		✓		✓		✓		✓	
Clean/Replace Spark Plugs	Consult Engine Owner's Manual; Follow Service Intervals for Heavy Loads and High Temperatures*																										
Check Valve Clearance	Consult Engine Owner's Manual; Follow Service Intervals for Heavy Loads and High Temperatures*																										
Clean Air Filter	**			✓	✓	✓	✓	✓	✓	✓	✓	✓	✓	✓	✓	✓	✓	✓	✓	✓	✓	✓	✓	✓	✓	✓	✓
Clean Pre-cleaner	**			✓	✓	✓	✓	✓	✓	✓	✓	✓	✓	✓	✓	✓	✓	✓	✓	✓	✓	✓	✓	✓	✓	✓	✓
Clean Finger Guard	**		✓																								
Clean area around engine and muffler	**		✓																								
Clean Air Cooling System	**																									✓	
Replace Air Filter	**																									✓	
Replace Pre-cleaner	**																									✓	
Replace Fuel Filter	**																									✓	
Inspection																											
Inspect for Loose, Missing, or Worn Components				✓																							
Inspect Battery Cables, Fuel Lines, and Hydraulic Lines				✓																							
* If heavy load, high temperature, or dusty condition service intervals are not specified, Ventrac recommends servicing more frequently at 1/2 the standard service interval.																											
** Operation in severe conditions may require more frequent service intervals.																											
¹ Consult Engine Owner's Manual for engine oil information and complete servicing information																											
[^] Grease Until Fresh Grease is visible																											

Maintenance Checklist

Maintenance Checklist	# of Locations	# of Pumps	AS NEEDED	After First 5 Hrs.	Daily	At 25 Hours	At 50 Hours	At 75 Hours	At 100 Hours	At 125 Hours	At 150 Hours	At 175 Hours	At 200 Hours	At 225 Hours	At 250 Hours	At 275 Hours	At 300 Hours	At 325 Hours	At 350 Hours	At 375 Hours	At 400 Hours	At 425 Hours	At 450 Hours	At 475 Hours	At 500 Hours	Yearly	
																											Grease & Lubrication: See Lubrication Section
Lift Cylinder End	4	^																									
Bin/Lift Arm Pivot	2	^																									
Engine ¹																											
Check Engine Oil Level																											
Change Engine Oil & Filter ^{1*}																											
Clean/Replace Spark Plugs	Consult Engine Owner's Manual; Follow Service Intervals for Heavy Loads and High Temperatures*																										
Check Valve Clearance	Consult Engine Owner's Manual; Follow Service Intervals for Heavy Loads and High Temperatures*																										
Clean Air Filter																											
Clean Pre-cleaner																											
Clean Finger Guard																											
Clean area around engine and muffler																											
Clean Air Cooling System																											
Replace Air Filter																											
Replace Pre-cleaner																											
Replace Fuel Filter																											
Inspection																											
Inspect for Loose, Missing, or Worn Components																											
Inspect Battery Cables, Fuel Lines, and Hydraulic Lines																											
* If heavy load, high temperature, or dusty condition service intervals are not specified, Ventrac recommends servicing more frequently at 1/2 the standard service interval.																											
** Operation in severe conditions may require more frequent service intervals.																											
¹ Consult Engine Owner's Manual for engine oil information and complete servicing information																											
[^] Grease Until Fresh Grease is visible																											

SPECIFICATIONS

Dimensions

Overall Height	53 inches (135 cm)
Overall Length	40 inches (102 cm)
Overall Width	65 inches (165 cm)
Weight	525 pounds (238 kg)
Capacity	
Recommended	13 cu. ft./10 bushel (0.37 m ³)
Maximum	16 cu. ft./13 bushel (0.45 m ³)
Bin Lifting Height	60 inches (152 cm)
Hose Diameter.	8 inches (20 cm)

Engine

Manufacturer	Vanguard
Model Number	19
Type	Gasoline
Cylinders.	Single
Engine Gross Horse Power	10 Hp
Engine Oil Capacity	26-28 ounces (0.77-0.83 L)
Cooling System	Air Cooled
Starting	Electric

Features

- Storage stands with caster wheels
- Hydraulic lift and dump.
- Hour meter.
- Handles on suction hose for clean-up.
- Window for viewing material level in collection bin.
- Collection bin vent deflector.

Power Unit Requirements

Recommended for use with KT4100 power units serial number 4100-*EC1501 and higher, KT4200 power units serial number 4200-*EB2555 and higher, and all KN4500 power units.

Two sets of rear hydraulic quick couplers are required to operate the RV602 collection vacuum. If your power unit is not equipped with a 3-point hitch, order the rear hydraulic valve kit for your power unit.

KT4100 and 4200 power units - Kit # 70.4088

KN4500 power units - Kit # 70.4126

The RV602 collection vacuum can not be used on a power unit equipped with a Ventrac cab.

The RV602 collection vacuum can not be used on a power unit equipped with a Ventrac canopy.

The RV602 collection vacuum can not be used on a 4500Z power unit equipped with a propane kit.

The RV602 collection vacuum can not be used on a 4500 power unit equipped with directional/hazard lights.

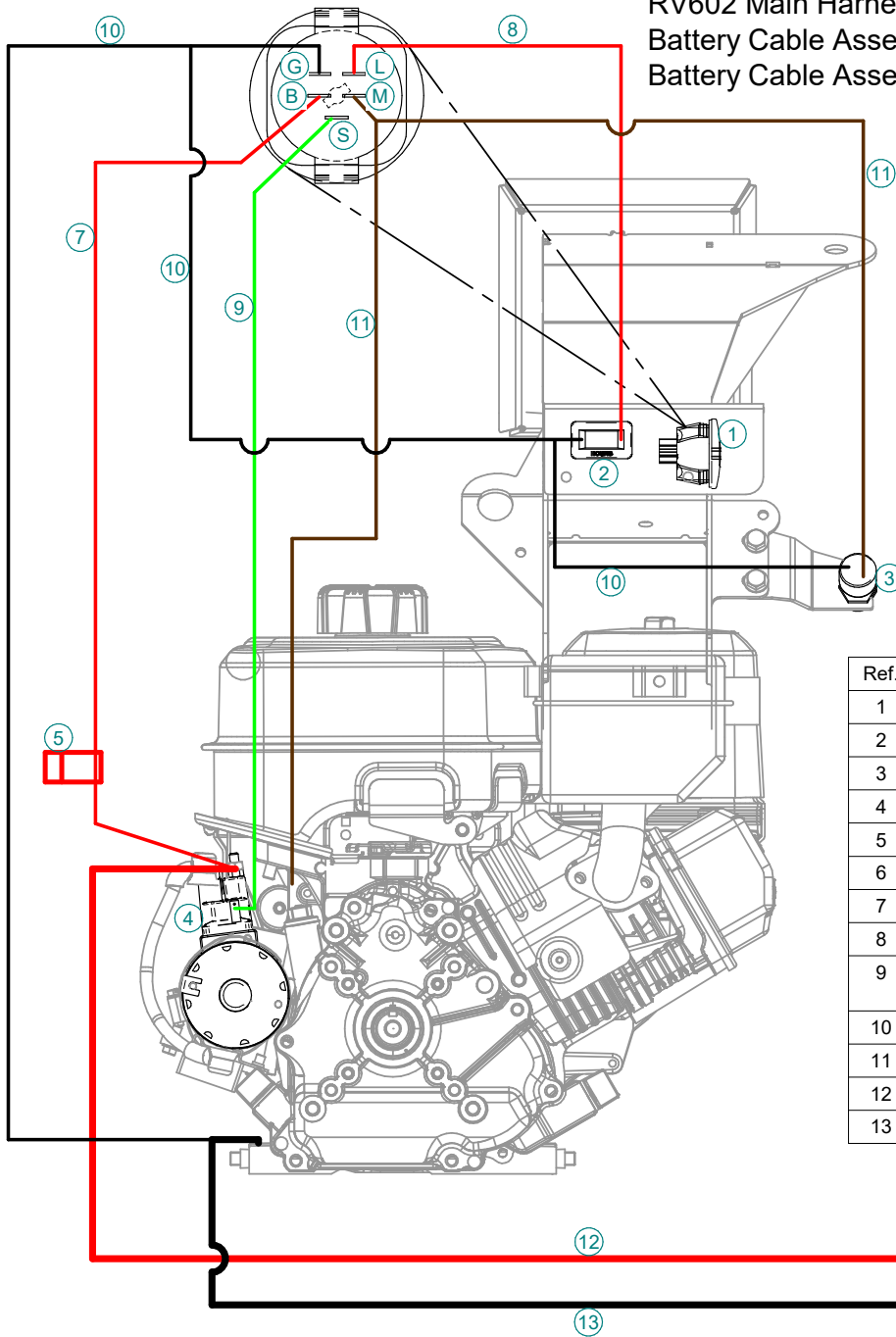
PARTS

Electrical Diagram

RV602 Main Harness - 32.0096

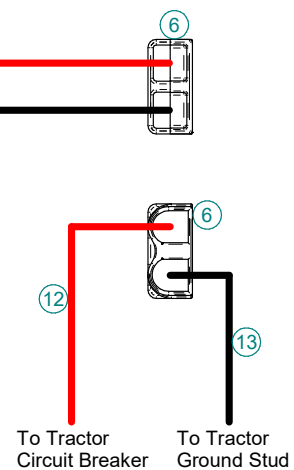
Battery Cable Assembly Vac/Tractor - 32.0094

Battery Cable Assembly Vac/Engine - 32.0095



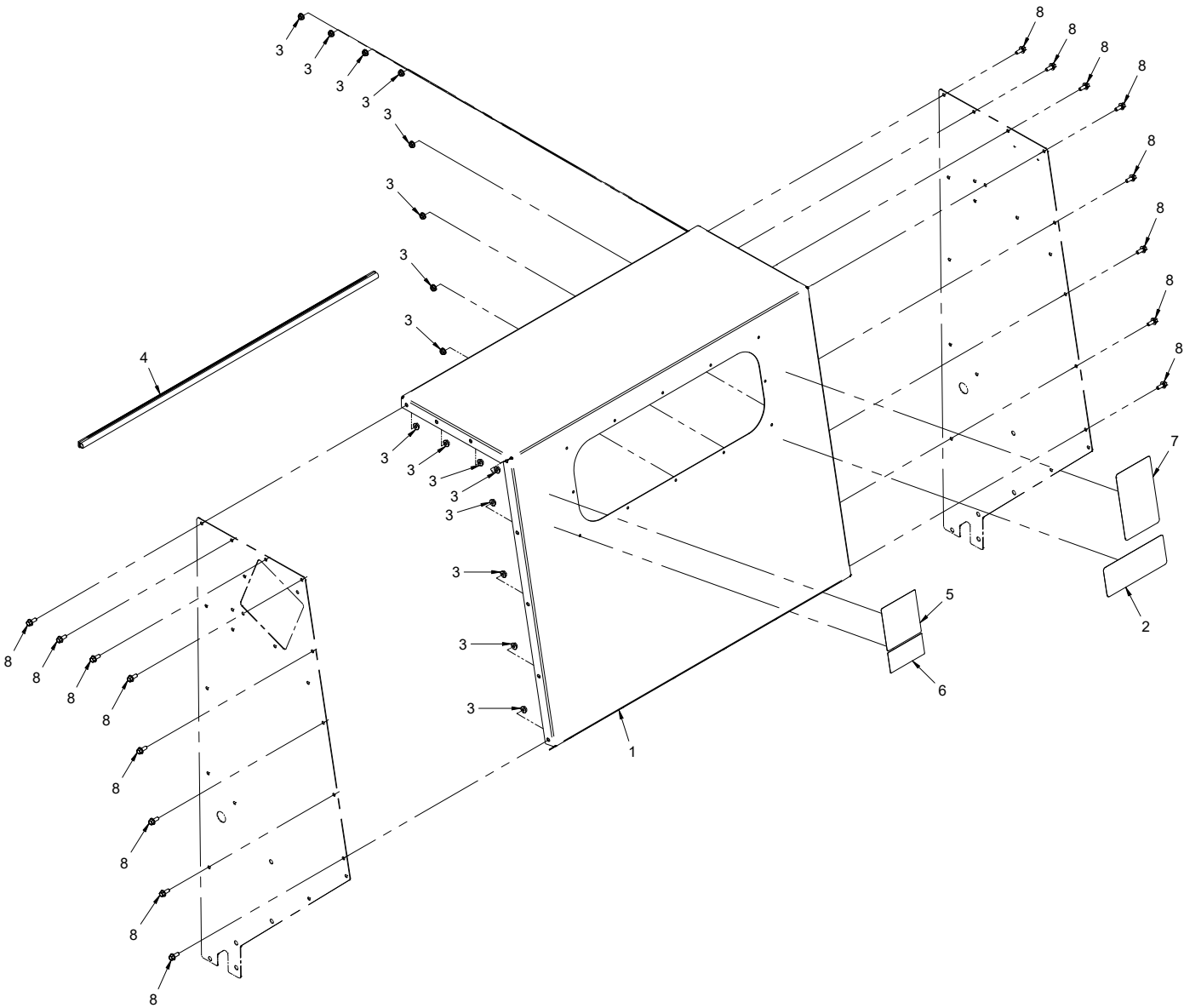
Ref.	Description
1	Ignition Switch
2	Hour Meter
3	Shut-Off Switch
4	Engine Solenoid
5	20 Amp Fuse
6	Battery Cable Connector
7	12 Ga Red Wire - Supply
8	18 Ga Red Wire
9	14 Ga Green Wire W/Yellow Stripe - Solenoid Trigger
10	14 Ga Black Wire - Ground
11	14 Ga Brown Wire - Ignition Shut-Off
12	Positive Battery Cable - Red
13	Negative Battery Cable - Black

Refer to the **Engine Controls & Electrical Components** and **Battery Cable Connector** pages for part numbers and locations.



PARTS

ILLUSTRATED DRAWING Collection Bin - Front Panel



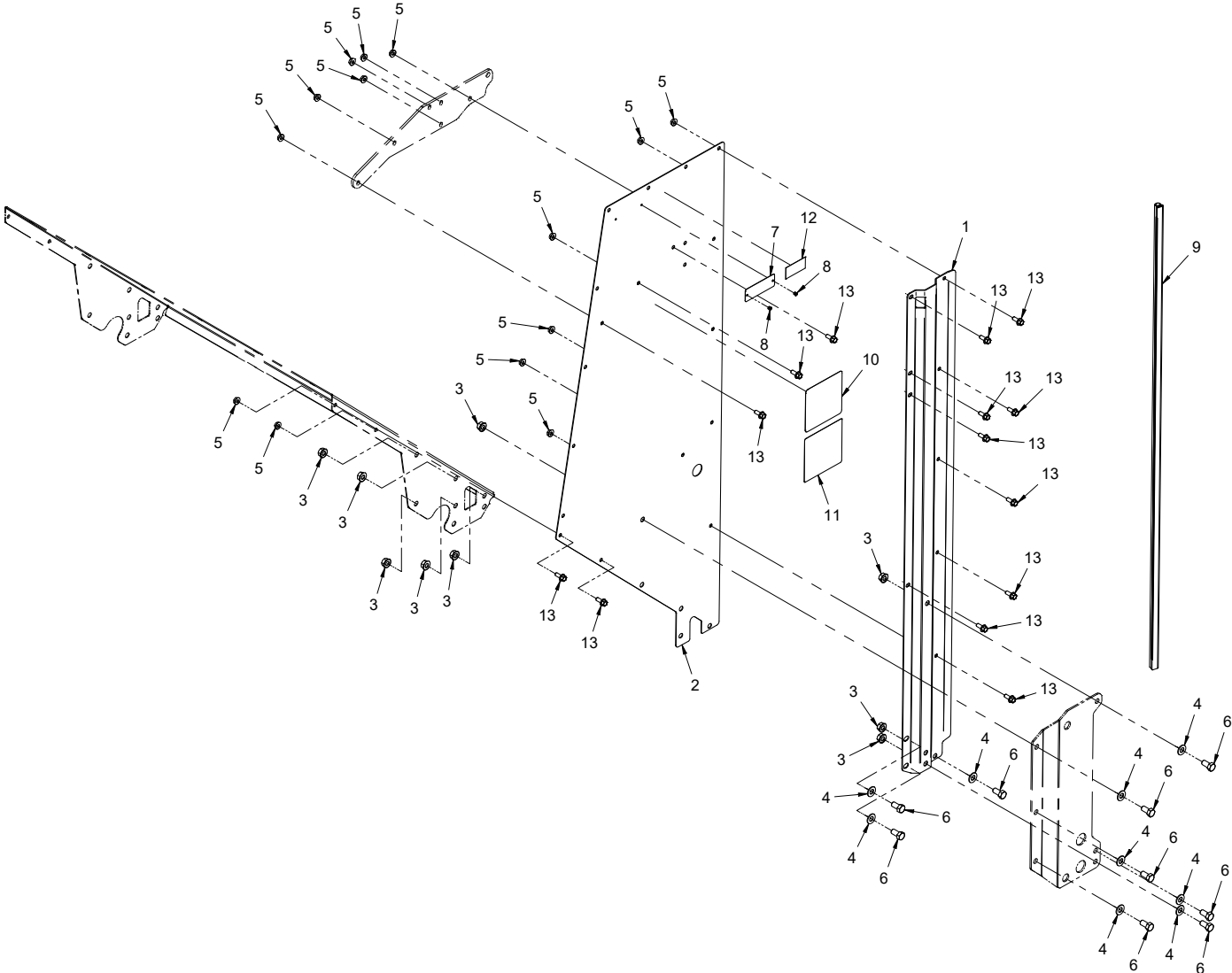
PARTS

Collection Bin - Front Panel

REF.	PART NO.	DESCRIPTION	QTY.
1	60.1011	PANEL, COLLECTION BIN TOP/FRONT	1
2	00.0350	DECAL, MAINTENANCE RV602	1
3	99.SF04	NUT, SF 1/4-20 USS	16
4	06.0049-35IN	TRIM, 7/16" BULB SEAL SIDE 1/16T X 35"	1
5	00.0103	DECAL, HAZARD - HIGH PRESS. FLUID	1
6	00.0220	DECAL, GENERAL SAFETY	1
7	00.0269	DECAL, COLLECTION SYSTEM RV600	1
8	99.SF0405-1	BOLT, SMF 1/4-20 X 5/8	16

PARTS

ILLUSTRATED DRAWING Collection Bin - Left Panel & Brace



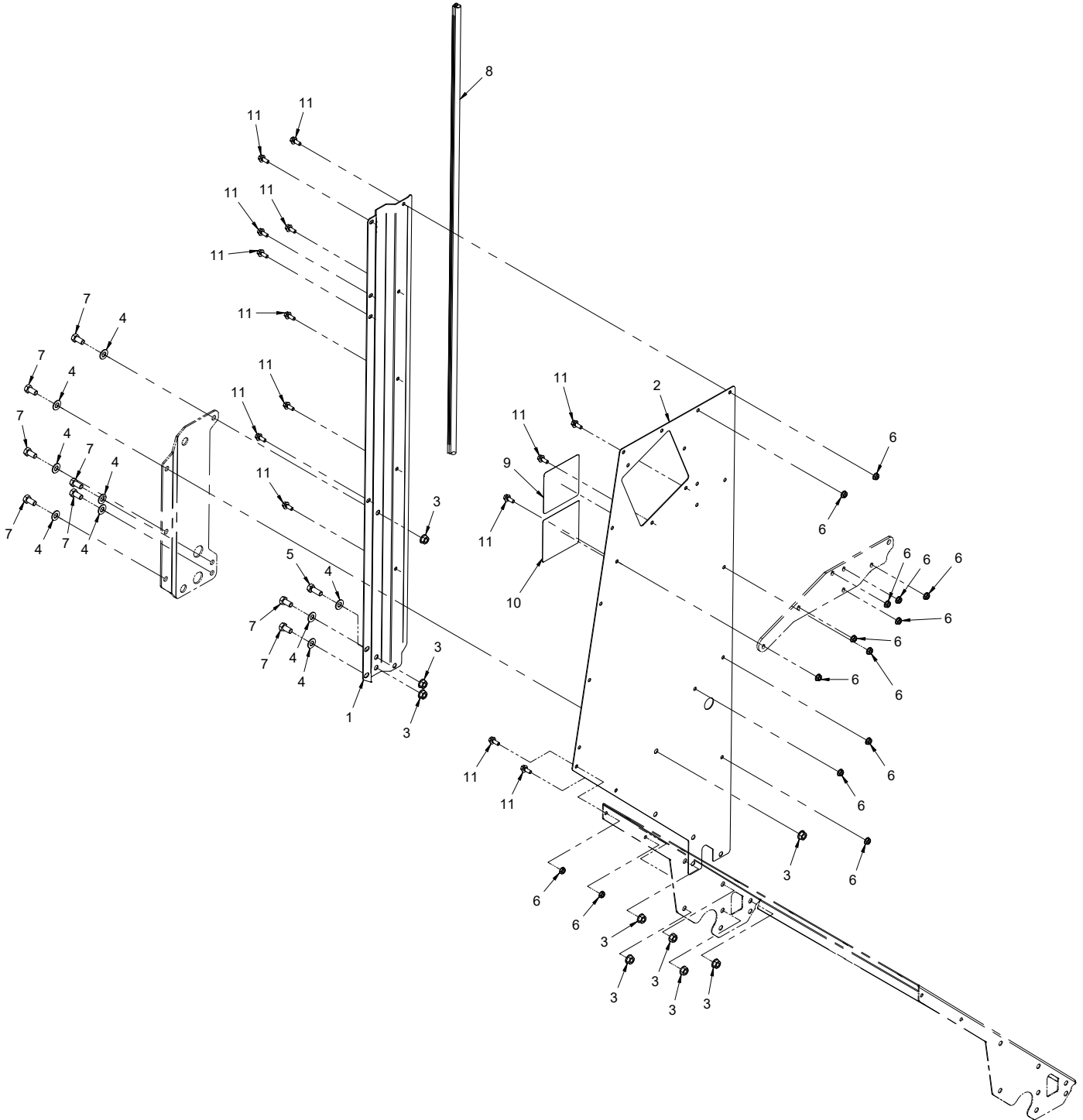
PARTS

Collection Bin - Left Panel & Brace

REF.	PART NO.	DESCRIPTION	QTY.
1	64.1351	.BRACE, BIN OUTER LEFT	1
2	60.1010	.PANEL, COLLECTION BIN LEFT	1
3	99.SF06	.NUT, SF 3/8-16 USS	9
4	95.06	.WASHER, FLAT 3/8 SAE	9
5	99.SF04	.NUT, SF 1/4-20 USS	14
6	90.0606	.BOLT, HEX 3/8-16 UNC X 3/4	9
7	00.0128	.PLATE, VENTRAC SERIAL NUMBER	1
8	04.0007	.RIVET, POP DOME 1/8 X 1/8 S.S.	2
9	06.0049-42IN	.TRIM, 7/16" BULB SEAL SIDE 1/16T X 42"	1
10	00.0267	.DECAL, DANGER RV600	1
11	00.0102	.DECAL, DANGER - PINCHING HAZARDS	1
12	00.0100	.DECAL, MADE IN USA	1
13	99.SF0405-1	.BOLT, SMF 1/4-20 X 5/8	14

PARTS

ILLUSTRATED DRAWING Collection Bin - Right Panel & Brace



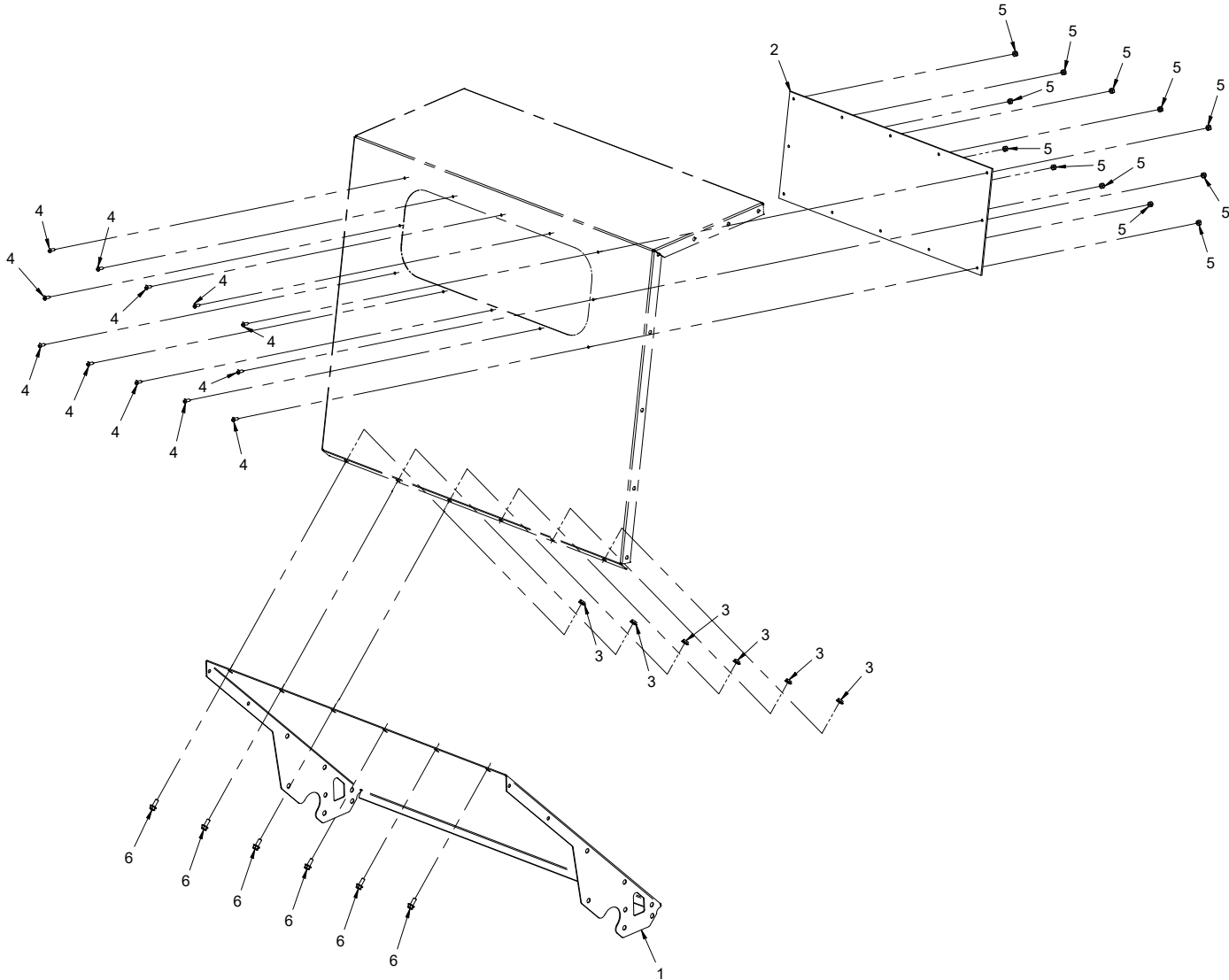
PARTS

Collection Bin - Right Panel & Brace

REF.	PART NO.	DESCRIPTION	QTY.
1	64.1350	.BRACKET, BIN OUTER RIGHT	1
2	60.1009	.PANEL, COLLECTION BIN RIGHT	1
3	99.SF06	.NUT, SF 3/8-16 USS	9
4	95.06	.WASHER, FLAT 3/8 SAE	9
5	90.0608	.BOLT, HEX 3/8-16 UNC X 1	1
6	99.SF04	.NUT, SF 1/4-20 USS	14
7	90.0606	.BOLT, HEX 3/8-16 UNC X 3/4	8
8	06.0049-42IN	.TRIM, 7/16" BULB SEAL SIDE 1/16T X 42"	1
9	00.0267	.DECAL, DANGER RV600	1
10	00.0102	.DECAL, DANGER - PINCHING HAZARDS	1
11	99.SF0405-1	.BOLT, SMF 1/4-20 X 5/8	14

PARTS

ILLUSTRATED DRAWING Collection Bin - Floor Panel & Front Window



PARTS

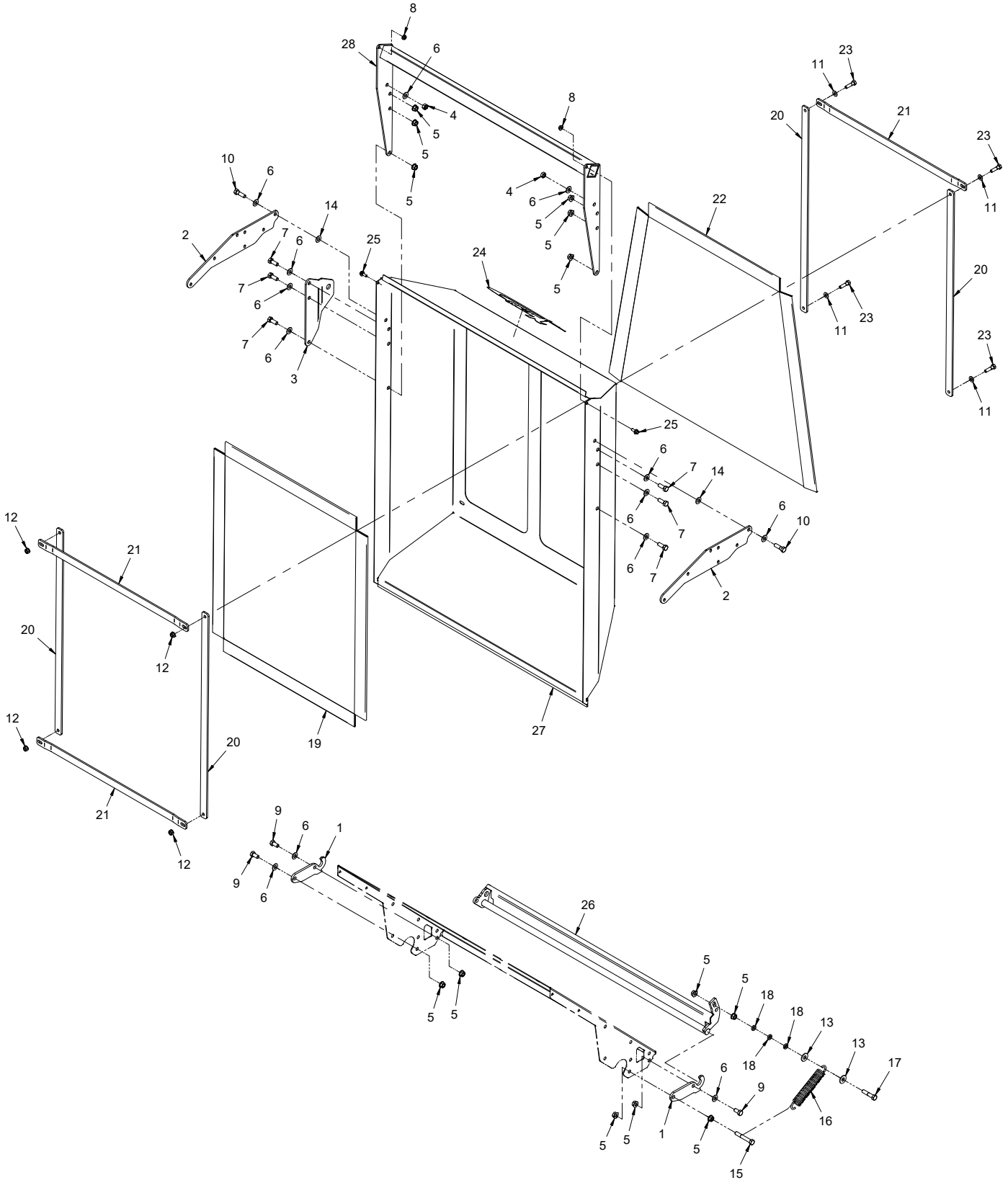
Collection Bin - Floor Panel & Front Window

REF.	PART NO.	DESCRIPTION	QTY.
1	60.1014	.PANEL, COLLECTION BIN FLOOR	1
2	44.0255	.WINDOW, COLLECTION BIN	1
3	99.SF04	.NUT, SF 1/4-20 USS	6
4	99.K0062	.MACHINE SCREW, #10-32 X 1/2	12
5	99.A1032N	.LOCKNUT, NYLON 10-32 STAINLESS	12
6	99.SF0405-1	.BOLT, SMF 1/4-20 X 5/8	6

PARTS

ILLUSTRATED DRAWING

Collection Bin - Door & Latch (Serial # 01001 - 01369)



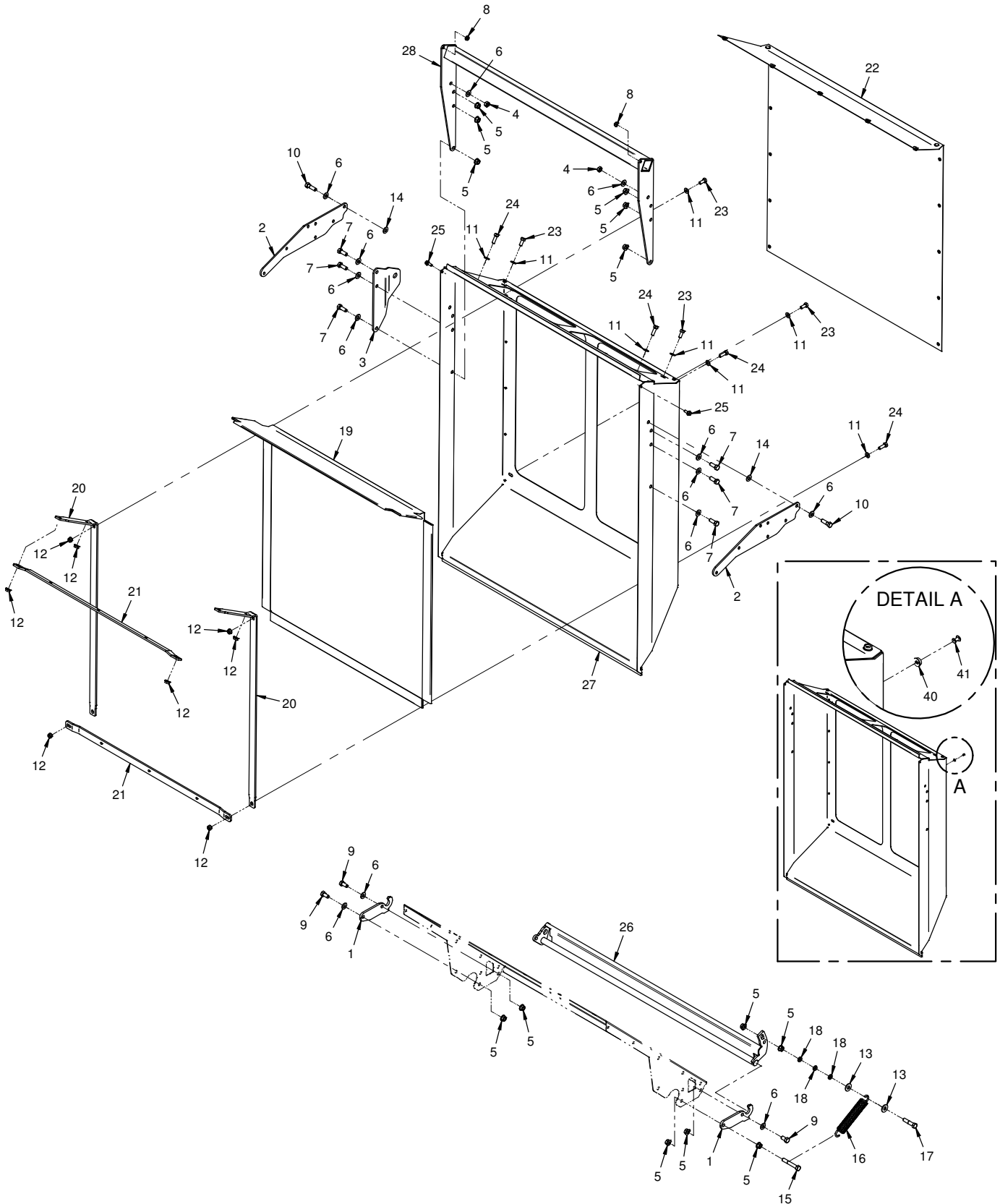
PARTS

Collection Bin - Door & Latch (Serial # 01001 - 01369)

REF.	PART NO.	DESCRIPTION	QTY.
1	64.1346	.HINGE, LATCH RETAINER	2
2	64.1347	.MOUNT, COLLECTION BIN DOOR	2
3	64.1358	.MOUNT, DOOR CYLINDER	1
4	99.A06	.LOCKNUT, STOVER 3/8-16 USS	2
5	99.SF06	.NUT, SF 3/8-16 USS	13
6	95.06	.WASHER, FLAT 3/8 SAE	13
7	90.0608	.BOLT, HEX 3/8-16 UNC X 1	6
8	99.SF04	.NUT, SF 1/4-20 USS	2
9	90.0606	.BOLT, HEX 3/8-16 UNC X 3/4	3
10	90.0610	.BOLT, HEX 3/8-16 UNC X 1-1/4	2
11	95.05	.WASHER, FLAT 5/16 SAE	4
12	99.SF05	.NUT, SF 5/16-18 USS	4
13	94.06	.WASHER, FLAT 3/8 USS	2
14	05.0083	.WASHER, PVC .375ID X .875 X .0625	2
15	90.0620	.BOLT, HEX 3/8-16 UNC X 2-1/2	1
16	41.0048	.SPRING, EXT. 1 OD X 6	1
17	90.0614	.BOLT, HEX 3/8-16 UNC X 1-3/4	1
18	05.0119	.WASHER, NYLON	3
19	44.0253	.SCREEN, COLLECTION OUTLET	1
20	64.1348	.CLAMP, SIDE CURTAIN	4
21	64.1349	.CLAMP, TOP CURTAIN	3
22	44.0252	.CANVAS, COLLECTION OUTLET	1
23	90.0510	.BOLT, HEX 5/16-18 UNC X 1-1/4"	4
24	00.0189	.DECAL, VENTRAC ORBITAL	1
25	99.SF0405-1	.BOLT, SMF 1/4-20 X 5/8	2
26	64.1345	.LATCH, BIN DOOR RV	1
27	60.1012	.DOOR, COLLECTION BIN	1
28	62.1278	.FRAME, COLLECTION DOOR	1

PARTS

ILLUSTRATED DRAWING Collection Bin - Door & Latch (Serial # 01370 -)



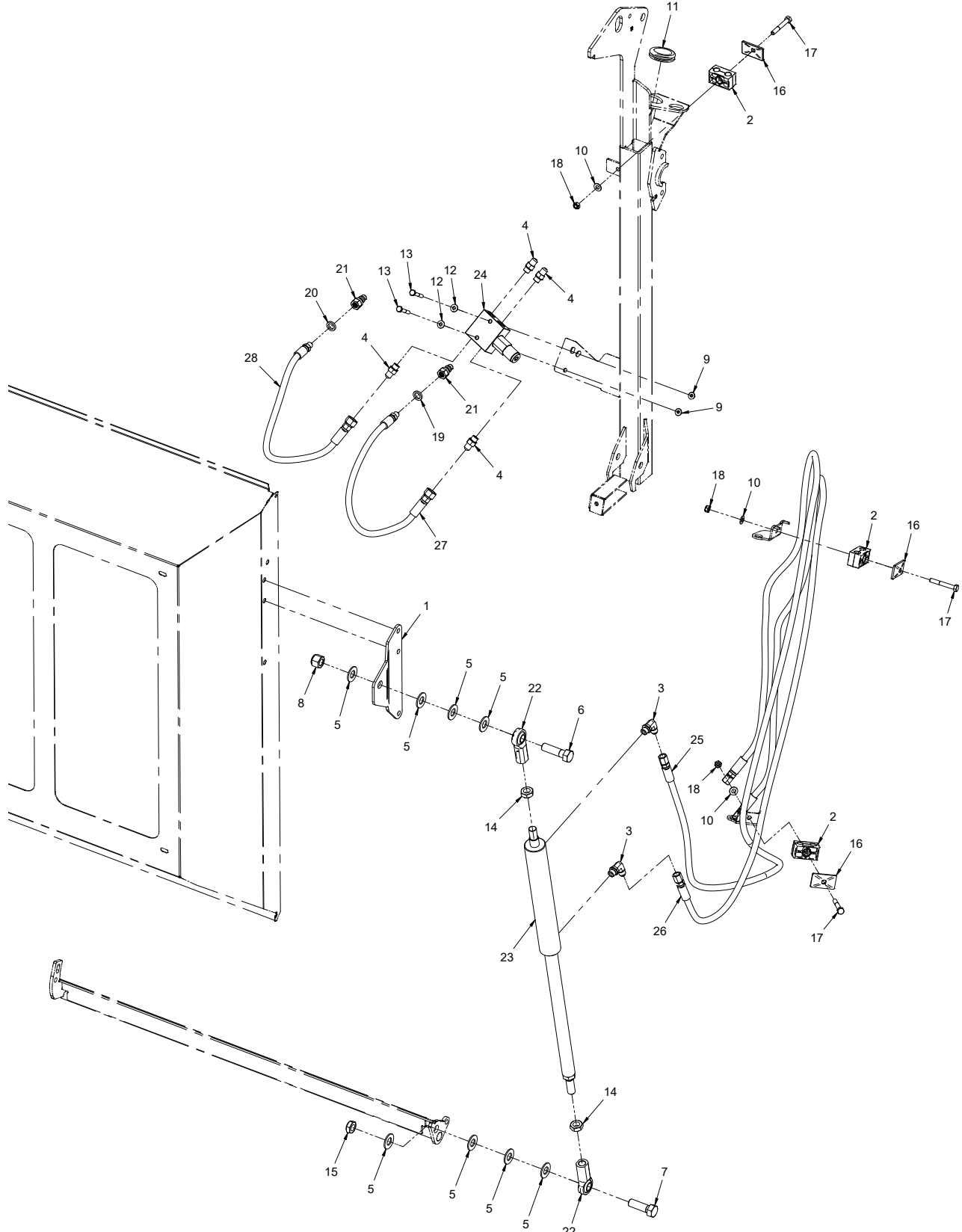
PARTS

Collection Bin - Door & Latch (Serial # 01370 -)

REF.	PART NO.	DESCRIPTION	QTY.
1	64.1346	.HINGE, LATCH RETAINER	2
2	64.1347	.MOUNT, COLLECTION BIN DOOR	2
3	64.1358	.MOUNT, DOOR CYLINDER	1
4	99.A06	.LOCKNUT, STOVER 3/8-16 USS	2
5	99.SF06	.NUT, SRF 3/8-16 USS	13
6	95.06	.WASHER, FLAT 3/8 SAE	13
7	90.0608	.BOLT, HEX 3/8-16 UNC X 1	6
8	99.SF04	.NUT, SRF 1/4-20 USS	2
9	90.0606	.BOLT, 3/8-16 USS X 3/4	3
10	90.0610	.BOLT, 3/8-16 USS X 1-1/4	2
11	95.05	.WASHER, FLAT 5/16 SAE	8
12	99.SF05	.NUT, SRF 5/16-18 USS	8
13	94.06	.WASHER, FLAT 3/8 USS	2
14	05.0083	.WASHER, PVC .375ID X .875 X .0625	2
15	90.0620	.BOLT, HEX 3/8-16 UNC X 2-1/2	1
16	41.0048	.SPRING, EXT. 1 OD X 6	1
17	90.0614	.BOLT, HEX 3/8-16 UNC X 1-3/4	1
18	05.0119	.WASHER, NYLON	3
19	44.0407	.SCREEN, COLLECTION OUTLET	1
20	64.2009	.CLAMP, VERTICAL SCREEN	2
21	64.2010	.CLAMP, HORIZONTAL SCREEN	2
22	44.0406	.CANVAS, COLLECTION OUTLET	1
23	90.0506	.BOLT, HEX 5/16-18 UNC X 3/4"	4
24	90.0508	.BOLT, HEX 5/16-18 UNC X 1"	4
25	99.SF0405-1	.BOLT, SMF 1/4-20 X 5/8	2
26	64.1345	.LATCH, BIN DOOR RV	1
27	70.8196	.KIT, COLLECTION BIN DOOR (Door, Canvas, Screen, & Clamps)	1
28	62.1278	.FRAME, COLLECTION DOOR	1
40	04.0020	.SNAP, STUD 3/8 X 9/16 SS	17
41	04.0029	.RIVET, POP 1/8" X 1/4" SS	17

PARTS

ILLUSTRATED DRAWING Collection Bin Door Hydraulics



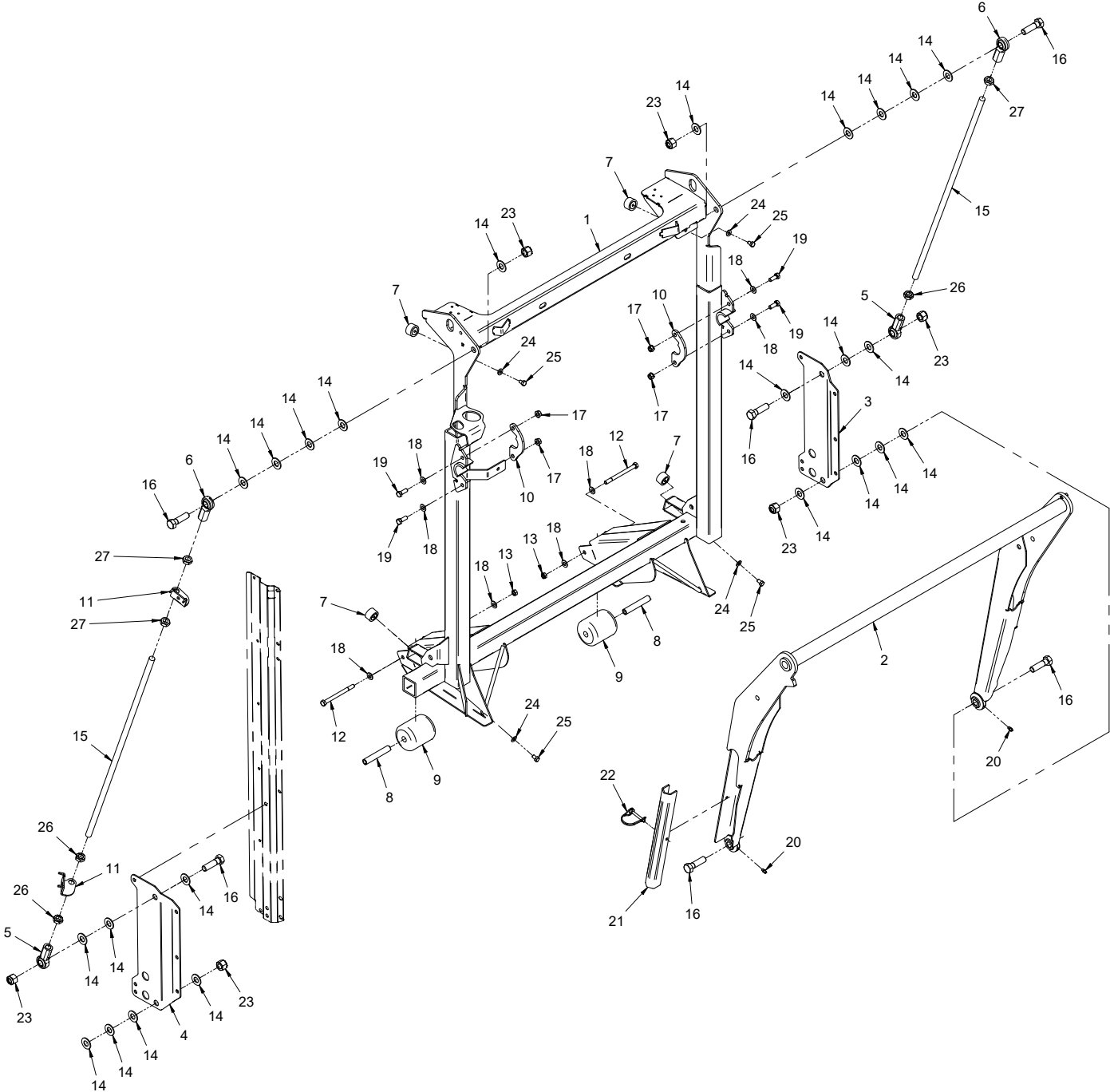
PARTS

Collection Bin Door Hydraulics

REF.	PART NO.	DESCRIPTION	QTY.
1	64.1358	.MOUNT, DOOR CYLINDER	1
2	44.0256	.CLAMP, HYD HOSE 12.7MM ID GRN	3
3	25.6801-06-06	.FITTING, 90 ME 3/8 X 3/8	2
4	25.6400-06-06	.FITTING, M CONN 3/8 X 3/8	4
5	95.10	.WASHER, FLAT 5/8 SAE	8
6	91.1018	.BOLT, HEX 5/8-18 UNF X 2-1/4	1
7	91.1016	.BOLT, HEX 5/8-18 UNF X 2	1
8	99.A10NFN	.LOCKNUT, NYLON 5/8-18 SAE ZP	1
9	99.SF04	.NUT, SF 1/4-20 USS	2
10	95.05	.WASHER, FLAT 5/16 SAE	3
11	05.0036	.GROMMET, 1 1/2ID,2 1/8OD,9/16T	1
12	95.04	.WASHER, FLAT 1/4 SAE	2
13	90.0414	.BOLT, HEX 1/4-20 UNC X 1-3/4"	2
14	99.E0011	.NUT, JAM 5/8 SAE	2
15	99.E0092	.NUT, JAM 5/8-18 SAE LOCKING	1
16	44.0229	.COVER PLATE, 2D GROUP	3
17	90.0518	.BOLT, HEX 5/16-18 UNC X 2-1/4"	3
18	99.A05	.LOCKNUT, STOVER 5/16-18 USS	3
19	05.0116	.WASHER, .544 ID X .817 X .14 RED	1
20	05.0117	.WASHER, .544 ID X .817 X .14 YEL	1
21	23.0104	.COUPLER, HYDRAULIC QUICK - 1/4 MALE	2
22	43.010	.ROD END, 5/8 SPHERICAL	4
23	23.0148	.CYLINDER, 1-1/2" X 8" VAC	1
24	23.0149	.VALVE, DOUBLE RELIEF (Serial # 01001-01239)	1
24	23.0178	.VALVE, DOUBLE RELIEF (Serial # 01240-)	1
25	20.0279	.HOSE, 1/4X94.00 SAE 100R17AR	1
26	20.0280	.HOSE, 1/4X84.00 SAE 100R17AR	1
27	20.0283	.HOSE, 1/4X25.00 SAE 100R17AR	1
28	20.0283	.HOSE, 1/4X25.00 SAE 100R17AR	1

PARTS

ILLUSTRATED DRAWING Main Frame & Collection Bin Lift Arm Frame



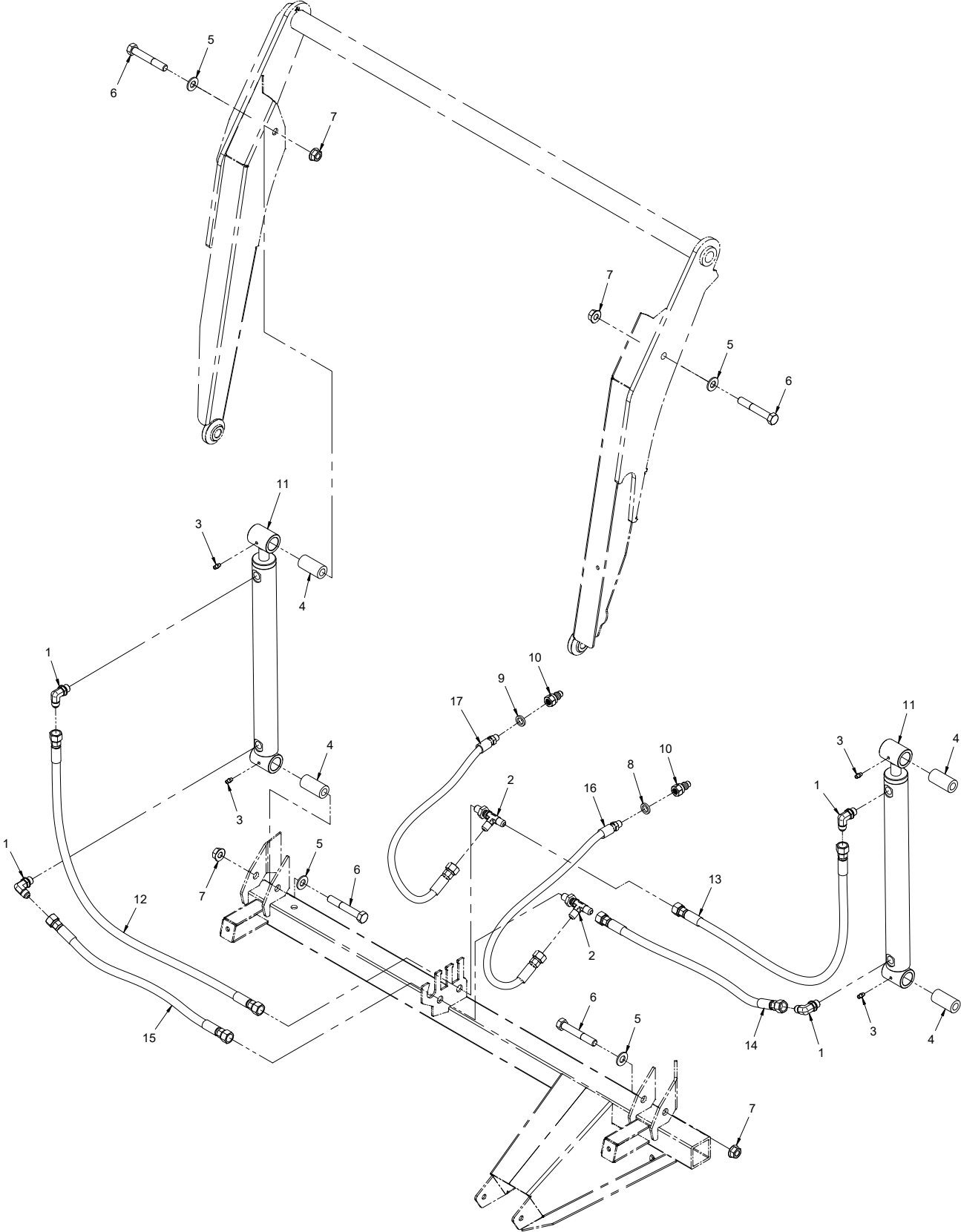
PARTS

Main Frame & Collection Bin Lift Arm Frame

REF.	PART NO.	DESCRIPTION	QTY.
1	62.1396	.FRAME, MAIN	1
2	62.1283	.FRAME, LIFT ARM RV600	1
3	64.1353	.MOUNT, BIN LIFTING LEFT	1
4	64.1352	.MOUNT, BIN LIFTING RIGHT	1
5	43.010L	.ROD END, 5/8 SPHERICAL	2
6	43.010	.ROD END, 5/8 SPHERICAL	2
7	05.0118	.BUMPER, RUBBE CYLINDRICAL	4
8	50.0046	.TUBE, AXLE FRONT ROLLER	2
9	50.0047	.ROLLER, FRONT 3" DIA X 3-1/2"	2
10	64.1362	.RETAINER, LIFT ARM HINGE	2
11	64.1437	.BRACKET, HOSE BLOCK HOLDER	2
12	90.0636	.BOLT, 3/8-16 USS X 4-1/2	2
13	99.A06	.LOCKNUT, STOVER 3/8-16 USS	2
14	95.10	.WASHER, FLAT 5/8 SAE	24
15	42.0538	.ROD, THREAD 5/8-18 X 30 RH/LH	2
16	91.1018	.BOLT, HEX 5/8-18 UNF X 2-1/4	6
17	99.SF06	.NUT, SF 3/8-16 USS	4
18	95.06	.WASHER, FLAT 3/8 SAE	8
19	90.0608	.BOLT, HEX 3/8-16 UNC X 1	4
20	29.GF0001	.GREASE FTG, 1/4 SAE ST	2
21	64.1454	.SUPPORT, CYLINDER LOCKOUT	1
22	03.0009	.PIN, SAFETY SNAP 1/4 X 1-3/8	1
23	99.A10NFN	.LOCKNUT, NYLON 5/8-18 SAE ZP	6
24	95.05	.WASHER, FLAT 5/16 SAE	4
25	90.0504	.BOLT, HEX 5/16-18 UNC X 1/2"	4
26	99.E0090	.NUT, JAM 5/8-18 SAE LH	3
27	99.E0011	.NUT, JAM 5/8 SAE	3

PARTS

ILLUSTRATED DRAWING Collection Bin Lift Hydraulics



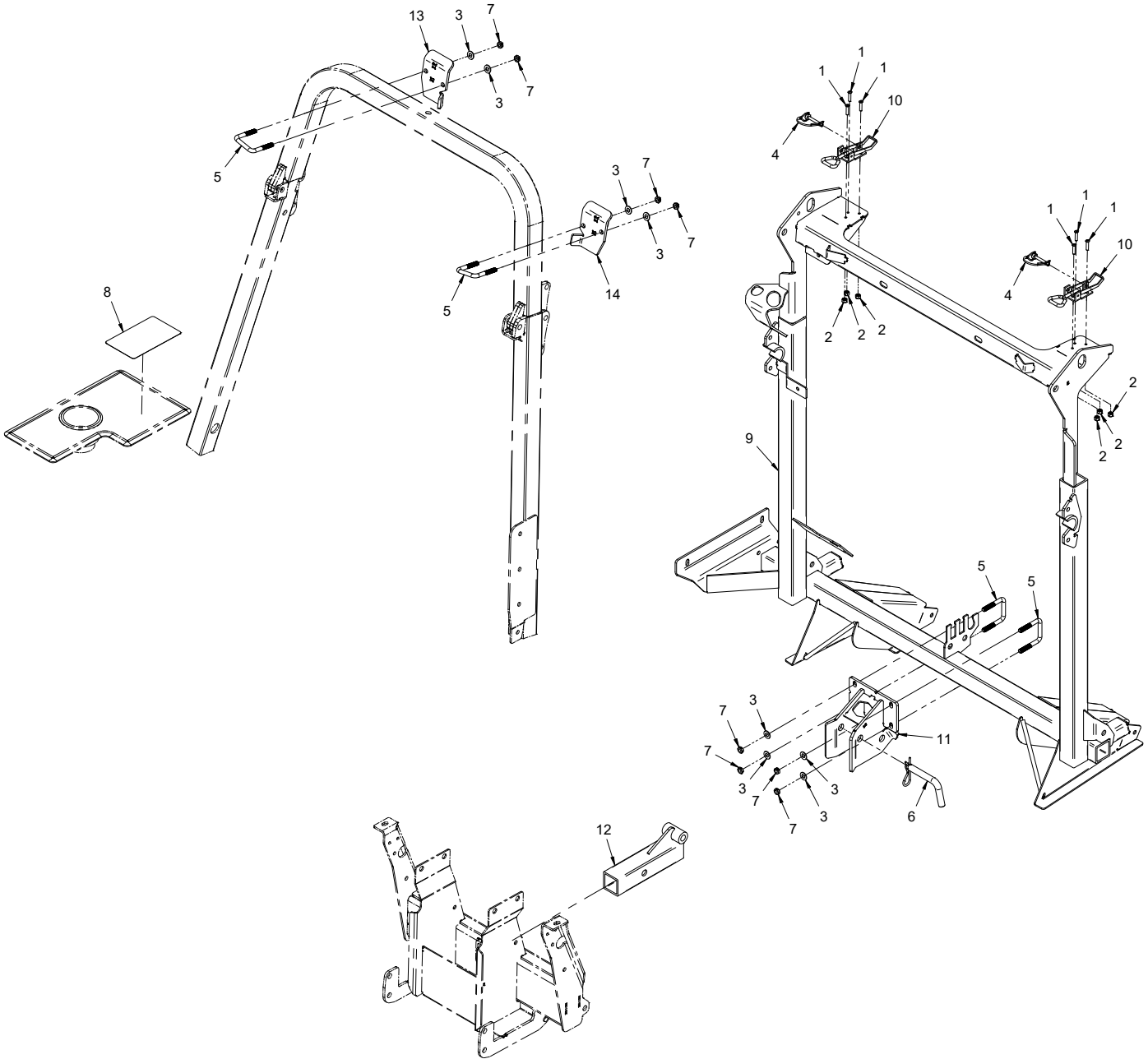
PARTS

Collection Bin Lift Hydraulics

REF.	PART NO.	DESCRIPTION	QTY.
1	25.6801-06-06	.FITTING, 90 ME 3/8 X 3/8	4
2	25.2704-6-6-6LN	.FITTING, BULKHEAD T 3/8 W/LNUT	2
3	29.GF0001	.GREASE FTG, 1/4 SAE ST	4
4	64.1459	.BUSHING, 9/16 X 1 X 2L	4
5	95.08	.WASHER, FLAT 1/2 SAE	4
6	90.0826	.BOLT, HEX 1/2-13 UNC X 3-1/4	4
7	99.SF08	.NUT, SF 1/2-13 USS	4
8	05.0116	.WASHER, .544 ID X .817 X .14 RED	1
9	05.0117	.WASHER, .544 ID X .817 X .14 YEL	1
10	23.0104	.COUPLER, HYDRAULIC QUICK - 1/4 MALE	2
11	23.0144	.CYLINDER, 1-1/2" X 14"	2
12	20.0281	.HOSE, 1/4X33.00 SAE 100R17AR	1
13	20.0281	.HOSE, 1/4X33.00 SAE 100R17AR	1
14	20.0282	.HOSE, 1/4X19.00 SAE 100R17AR	1
15	20.0282	.HOSE, 1/4X19.00 SAE 100R17AR	1
16	20.0283	.HOSE, 1/4X25.00 SAE 100R17AR	1
17	20.0283	.HOSE, 1/4X25.00 SAE 100R17AR	1

PARTS

ILLUSTRATED DRAWING Tractor Mount (Hitch and Roll Bar)



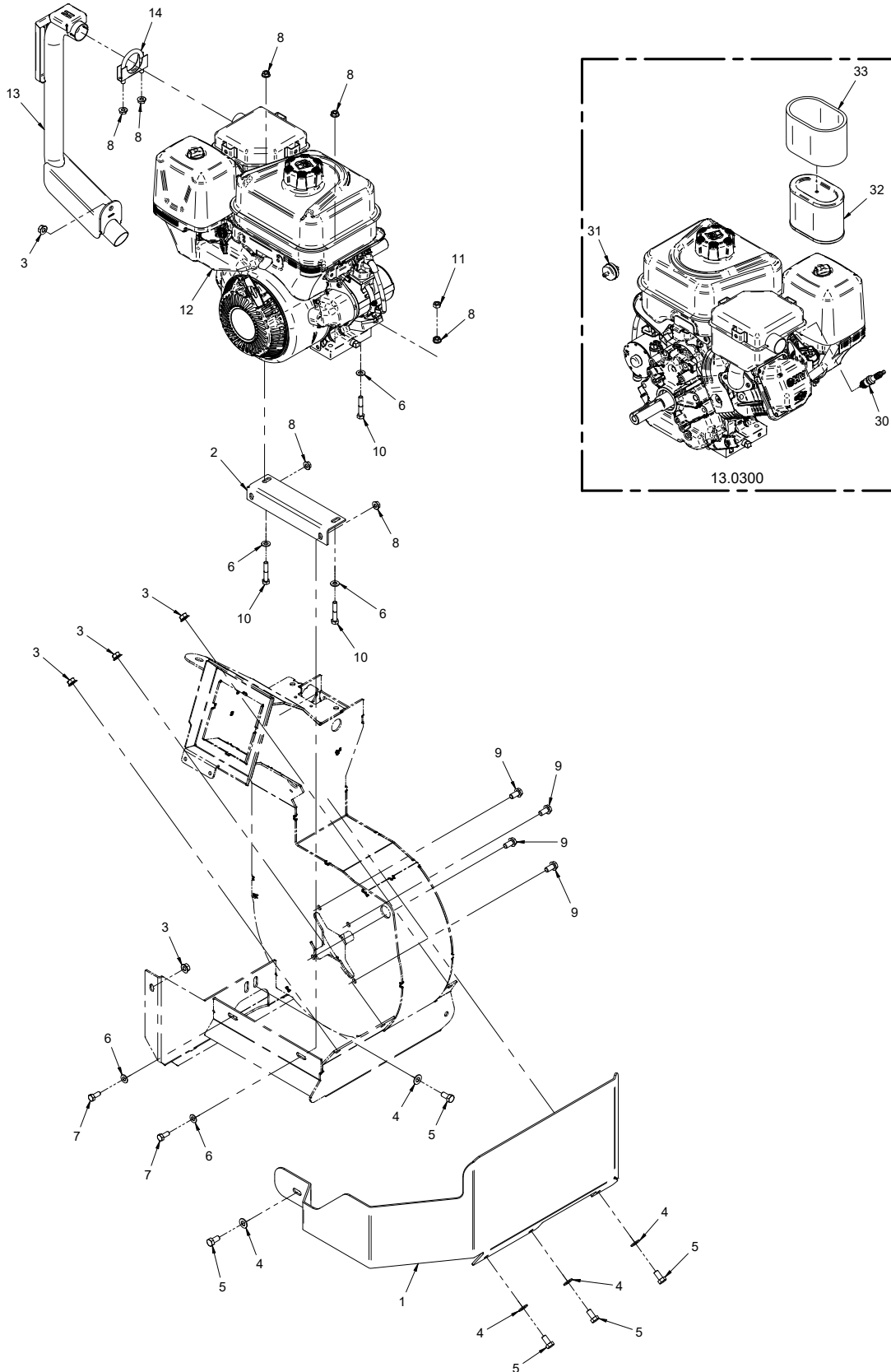
PARTS

Tractor Mount (Hitch and Roll Bar)

REF.	PART NO.	DESCRIPTION	QTY.
1	99.K0102	MACHINE SCREW, #12-24 X 3/4 ZP.	6
2	99.E0089	LOCKNUT, NYLON 12-24 ZP.	6
3	95.06	WASHER, FLAT 3/8 SAE	8
4	03.0009	PIN, SAFETY SNAP 1/4 X 1-3/8.	2
5	11.0053	U-BOLT, 3/8-16 2-1/16" ID SQ BEND.	4
6	03.0014	PIN, HITCH 5/8" X 3" USABLE.	1
7	99.A06C	LOCKNUT, CENTER 3/8-16.	8
8	00.0268	DECAL, COLLECTION SYSTEM RV600	1
9	62.1396	FRAME, MAIN RV602.	1
10	47.0273	LATCH, OVER CENTER ADJUSTABLE.	2
11	62.1316	HITCH, COLLECTION BASIC.	1
12	62.1317	HITCH, TRACTOR RV BASIC.	1
13	64.1747	MOUNT, ROLLBAR RIGHT	1
14	64.1748	MOUNT, ROLLBAR LEFT	1

PARTS

ILLUSTRATED DRAWING Engine & Guard



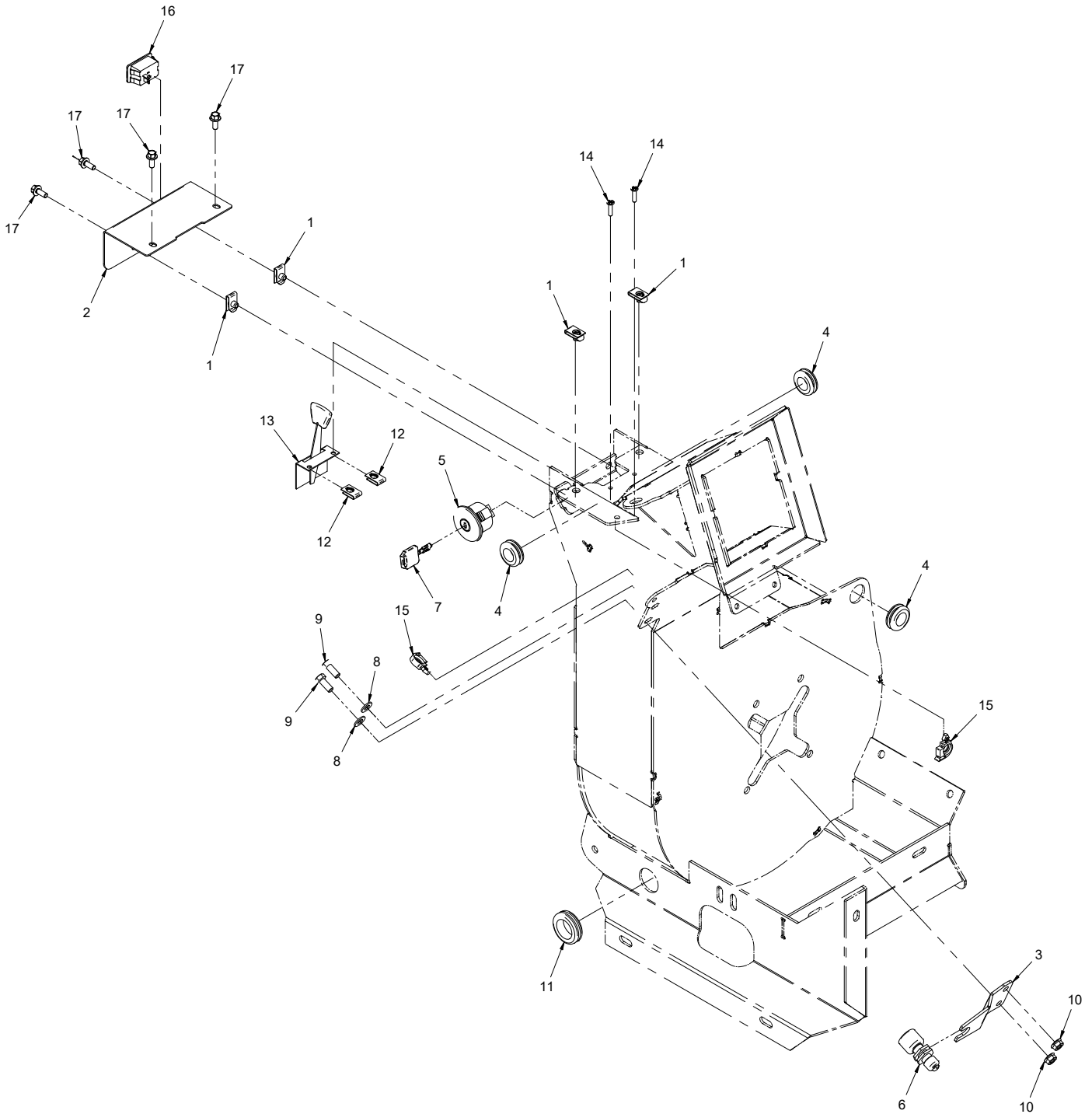
PARTS

Engine & Guard

REF.	PART NO.	DESCRIPTION	QTY.
1	62.1410	.BUMPER, ENGINE/FAN GUARD	1
2	64.1450	.BRACKET, ENGINE MOUNT	1
3	99.SF06	.NUT, SF 3/8-16 USS	5
4	95.06	.WASHER, FLAT 3/8 SAE	5
5	90.0606	.BOLT, HEX 3/8-16 UNC X 3/4	5
6	95.05	.WASHER, FLAT 5/16 SAE	5
7	90.0506	.BOLT, HEX 5/16-18 UNC X 3/4"	2
8	99.SF05	.NUT, SF 5/16-18 USS	7
9	99.SF0606	.BOLT, SF 3/8-16 UNC X 3/4	4
10	90.0514	.BOLT, HEX 5/16-18 UNC X 1-3/4"	3
11	92.05	.NUT, HEX 5/16-18 UNC	1
12	13.0300	.ENGINE, B&S VANG 10HP GAS AC	1
13	13.0234	.TUBE, EXHAUST FOR 13.0233	1
14	11.0039	.CLAMP, EXH. 5/16 X 1 1/2 ASM.	1
30	13.491055S	.PLUG, SPARK	1
31	13.394358S	.FILTER, FUEL	1
32	13.797032	.FILTER, AIR	1
33	13.798795	.FILTER, AIR PRE CLEANER	1

PARTS

ILLUSTRATED DRAWING Engine Controls & Electrical Components



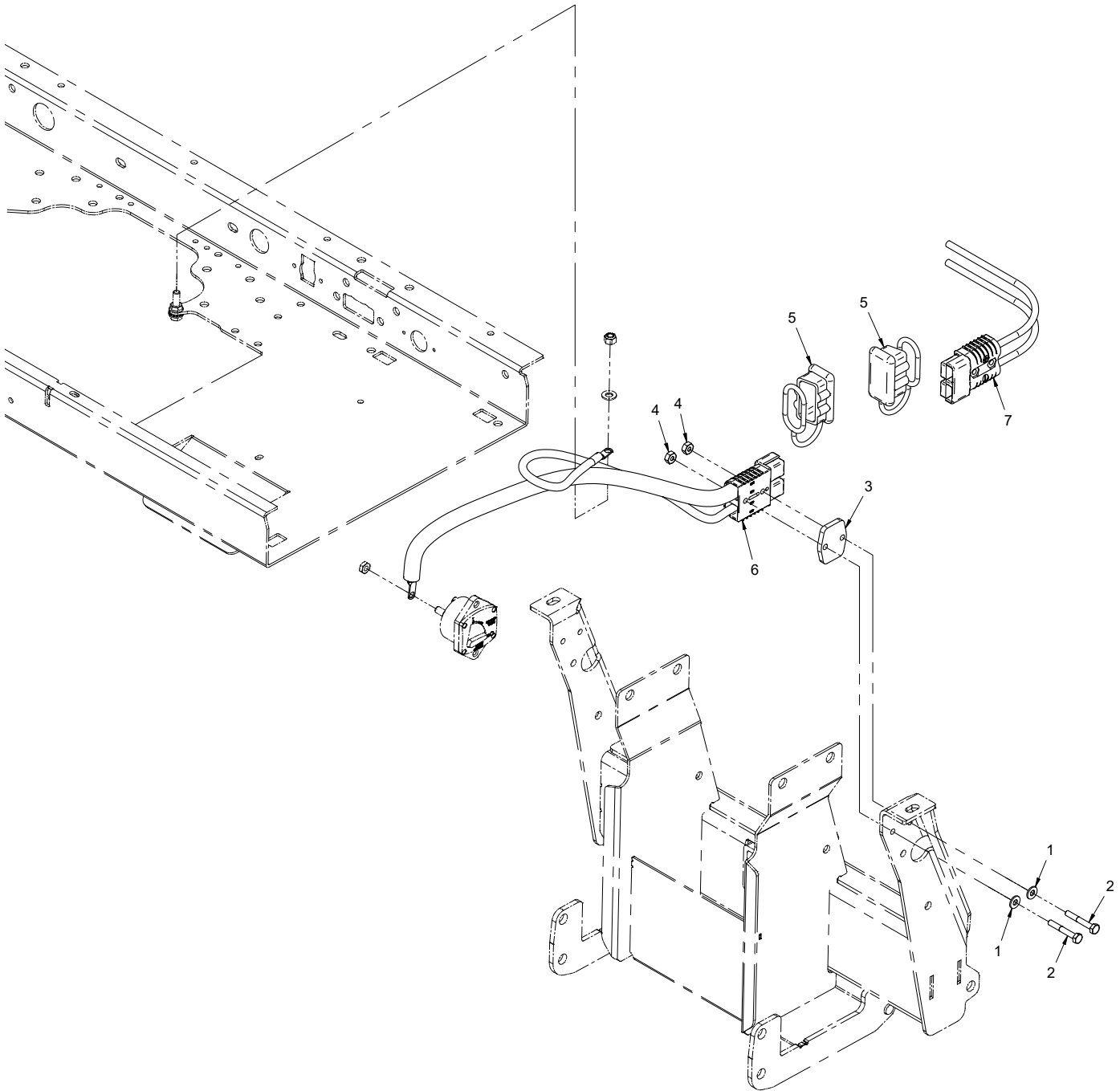
PARTS

Engine Controls & Electrical Components

REF.	PART NO.	DESCRIPTION	QTY.
1	99.E0046	.NUT, "U" 1/4-20 EXTRUDED	4
2	60.1199	.COVER, IGNITION SWITCH	1
3	64.1778	.BRACKET, SHUTOFF SWITCH MOUNT	1
4	05.0045	.GROMMET, 3/4ID, 1 3/8OD, 1/2THK	3
5	13.0078	.SWITCH, IGNITION DELTA	1
6	31.0048	.SWITCH, ENGINE SHUTOFF - NC	1
7	13.0080	.KEY, IGNITION DELTA	1
8	95.05	.WASHER, FLAT 5/16 SAE	2
9	90.0506	.BOLT, HEX 5/16-18 UNC X 3/4"	2
10	99.SF05	.NUT, SF 5/16-18 USS	2
11	05.0060	.GROMMET, 1-1/8 ID, 1-3/4 OD	1
12	99.E0091	.NUT, "U" #10-24 EXTRUDED	2
13	47.0179	.CABLE, THROTTLE 40" 1-5/8 TRAV.	1
14	99.K0106	.MACHINE SCREW, #10-24 X 3/4	2
15	30.0135	.CLAMP, LOOM 3/8 ROSEBUD MOUNT	2
16	35.0138	.GAUGE, HOUR METER 12V	1
17	99.SF0405-1	.BOLT, SMF 1/4-20 X 5/8	4

PARTS

ILLUSTRATED DRAWING Battery Cable Connector



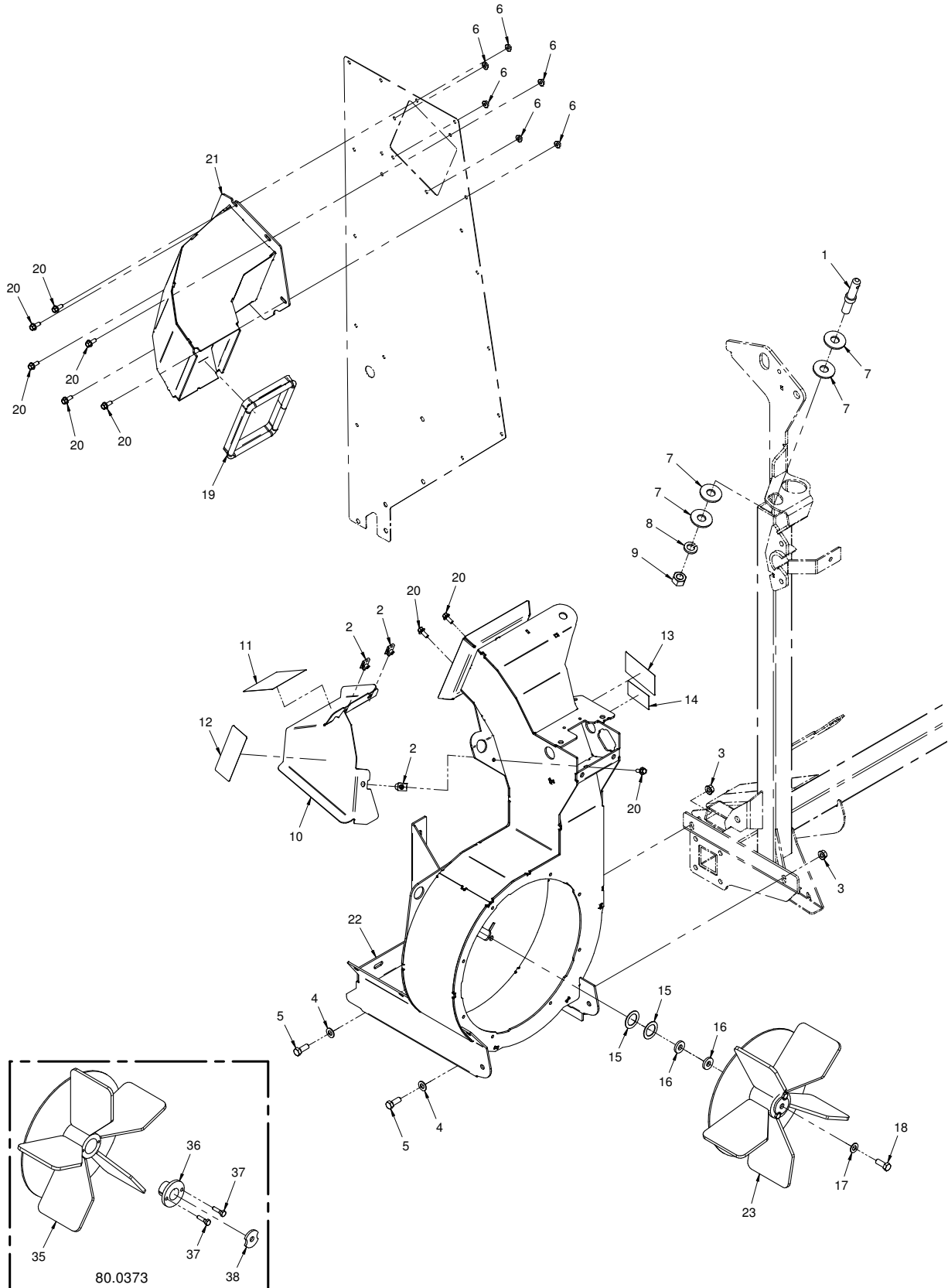
PARTS

Battery Cable Connector

REF.	PART NO.	DESCRIPTION	QTY.
1	95.04	WASHER, FLAT 1/4 SAE	2
2	90.0414	BOLT, HEX 1/4-20 UNC X 1-3/4"	2
3	64.1433	PLATE, BATTERY CONNECTOR MOUNT	1
4	92.04H	NUT, HEX HEAVY 1/4-20 UNC	2
5	30.0315	COVER, SB 175 CONNECTOR	2
6	32.0094	CABLE, ASM BATTERY VAC/TRACTOR	1
7	32.0095	CABLE, ASM BATTERY VAC/ENGINE	1

PARTS

ILLUSTRATED DRAWING Fan Housing, Fan, & Upper Chute



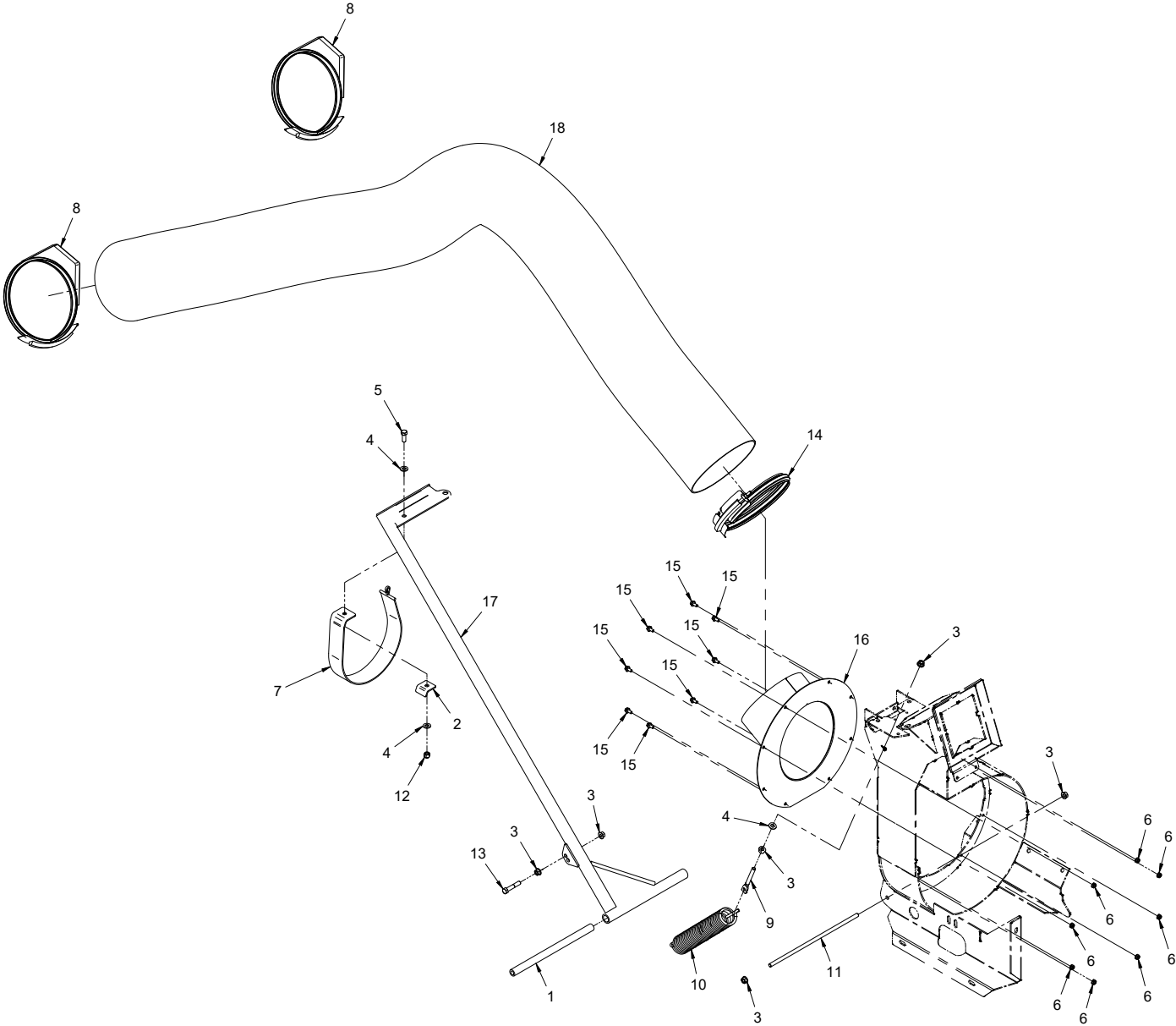
PARTS

Fan Housing, Fan, & Upper Chute

REF.	PART NO.	DESCRIPTION	QTY.
1	03.0016	.PIN, LIFT ARM 5/8 X 3-7/8	1
2	99.E0046	.NUT, "U" 1/4-20 EXTRUDED	3
3	99.SF06	.NUT, SF 3/8-16 USS	2
4	95.06	.WASHER, FLAT 3/8 SAE	2
5	90.0608	.BOLT, HEX 3/8-16 UNC X 1	2
6	99.SF04	.NUT, SF 1/4-20 USS	6
7	94.10	.WASHER, FLAT 5/8 USS	4
8	96.10	.WASHER, LOCK 5/8	1
9	92.10	.NUT, HEX 5/8-11UNC	1
10	60.1183	.SHIELD, ENGINE EXHAUST	1
11	00.0122	.DECAL, THROWN OBJECT HAZARD	1
12	00.0332	.DECAL, GASOLINE ONLY	1
13	00.0217	.DECAL, WARNING READ OWNERS MAN	1
14	00.0219	.DECAL, WARNING DO NOT REACH	1
15	99.B0017	.WASHER, MACH 1" 18GA	2
16	99.G0014	.WASHER, 3/8 USS FW .165 THK	2
17	99.B0047	.WASHER, FLAT 3/8 SAE GRADE 8	1
18	99.K0104	.BOLT, 3/8-24 X 1 GRD 8	1
19	06.0043-22.5IN	.TRIM, 7/16" BULB SEAL TOP 1/16T X 22-1/2"	1
20	99.SF0405-1	.BOLT, SMF 1/4-20 X 5/8	9
21	60.1182	.DUCT, COLLECTION BIN	1
22	62.1395	.HOUSING, COLLECTION FAN	1
23	80.0373	.FAN, COLLECTION SYSTEM ASM	1
35	80.0373-1	.FAN, COLLECTION SYSTEM	1
36	80.0373-2	.BUSHING, 1" TAPER HUB	1
37	90.0408	.BOLT, HEX 1/4-20 UNC X 1"	2
38	80.0373-3	.WASHER, COLLECTION FAN	1

PARTS

ILLUSTRATED DRAWING Vacuum Hose & Support Arm



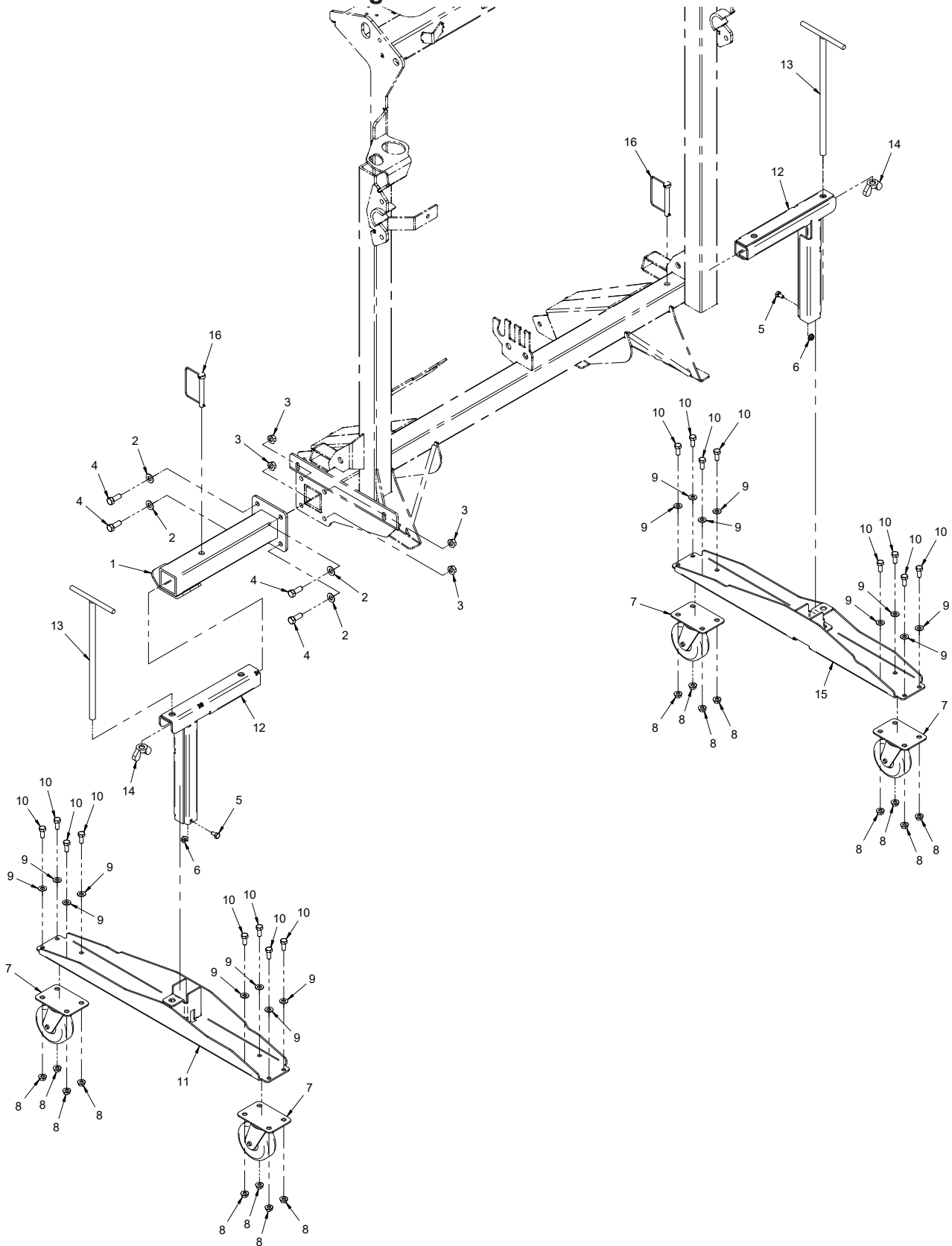
PARTS

Vacuum Hose & Support Arm

REF.	PART NO.	DESCRIPTION	QTY.
1	64.1440	.TUBE, 3/4OD X 7/16ID X 11-3/4L	1
2	64.1451	.CLAMP, STRAP	1
3	99.SF06	.NUT, SF 3/8-16 USS	6
4	95.06	.WASHER, FLAT 3/8 SAE	3
5	90.0608	.BOLT, HEX 3/8-16 UNC X 1	1
6	99.SF04	.NUT, SF 1/4-20 USS	8
7	44.0254	.STRAP, HOSE RETAINER	1
8	11.0066	.CLAMP, HOSE 8" V-BAND W/ LATCH	2
9	99.K0094	.BOLT, HANGER 3/8-16 X 4	1
10	41.0076	.SPRING, EXT 2" OD X 12-3/8 LG	1
11	42.0543	.ROD, THREAD 3/8-16 X 13 ALL THREAD	1
12	99.A06N	.LOCKNUT, NYLON 3/8-16 USS	1
13	90.0616	.BOLT, HEX 3/8-16 UNC X 2	1
14	11.0067	.CLAMP, HOSE 8" V-BAND W/ NUT	1
15	99.SF0404-1	.BOLT, SMF 1/4-20 X 1/2	8
16	60.1040	.DUCT, FAN INLET RV	1
17	42.0540	.ARM, COLLECTION HOSE SUPPORT	1
18	47.0270	.HOSE, 8" COLLECTION 9' 4" DUCT	1

PARTS

ILLUSTRATED DRAWING Storage Stands with Casters



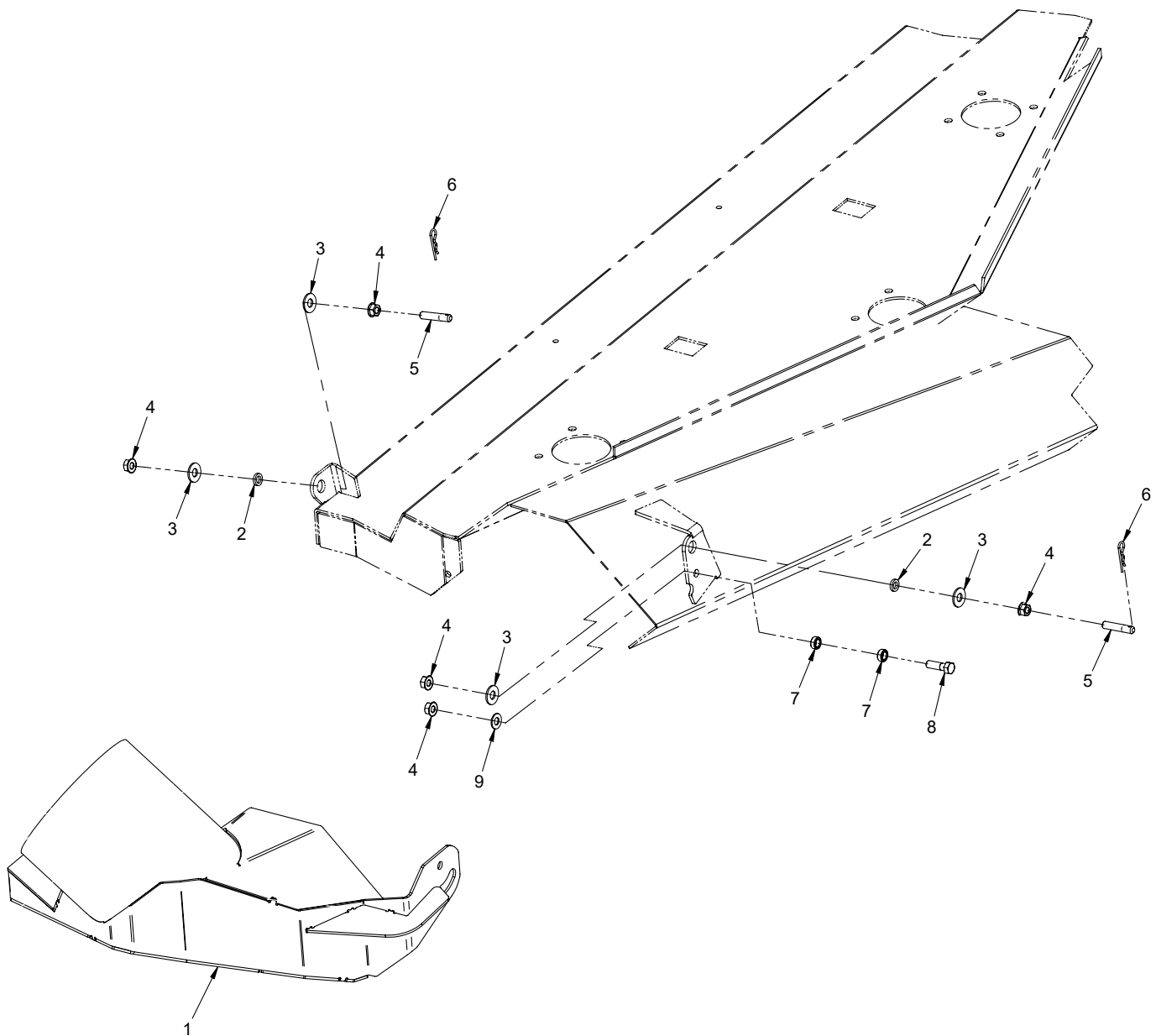
PARTS

Storage Stands with Casters

REF.	PART NO.	DESCRIPTION	QTY.
1	64.1460	.FRAME, MAIN EXTENSION - RV	1
2	95.06	.WASHER, FLAT 3/8 SAE	4
3	99.SF06	.NUT, SF 3/8-16 USS	4
4	90.0608	.BOLT, HEX 3/8-16 UNC X 1	4
5	90.0404	.BOLT, HEX 1/4-20 UNC X 1/2"	2
6	99.SF04	.NUT, SF 1/4-20 USS	2
7	53.0136	.WHEEL, CASTER 3-1/2 DIA X 1-1/4	4
8	99.SF05	.NUT, SF 5/16-18 USS	16
9	95.05	.WASHER, FLAT 5/16 SAE	16
10	90.0506	.BOLT, HEX 5/16-18 UNC X 3/4"	16
11	62.1310	.STAND, RV STORAGE LEFT	1
12	62.1311	.STAND, STORAGE LEG	2
13	42.0539	.ADJUSTER, RV STORAGE STAND	2
14	99.E0093	.NUT, WING 1/2-13 USS	2
15	62.1309	.STAND, RV STORAGE RIGHT	1
16	03.0015	.PIN, SAFETY SNAP 3/8 X 3"	2

PARTS

ILLUSTRATED DRAWING 70.8090 HM602 Vacuum Boot



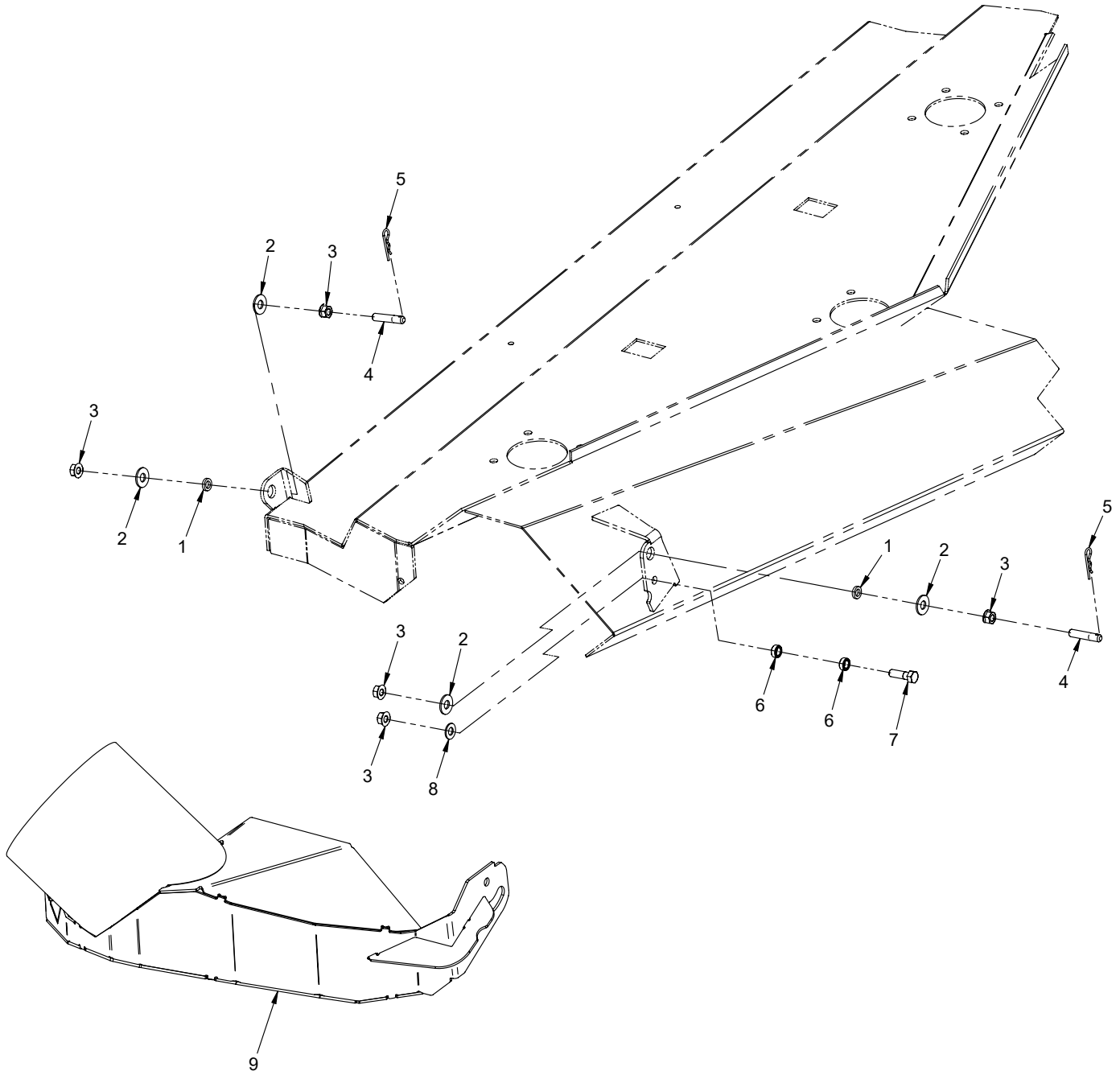
PARTS

70.8090 HM602 Vacuum Boot

REF.	PART NO.	DESCRIPTION	QTY.
1	62.1305	.BOOT, COLLECTION - HM602	1
2	05.0119	.WASHER, NYLON	2
3	94.06	.WASHER, FLAT 3/8 USS	4
4	99.SF06	.NUT, SRF 3/8-16 USS	5
5	99.F0042	.PIN, LIFT ARM 3/8-16 X 1-7/8	2
6	02.HP0313	.HAIRPIN, 3/32 X 1-5/8	2
7	64.0602	.BUSHING, 3/8 X 5/8 X .265	2
8	90.0610	.BOLT, 3/8-16 USS X 1-1/4	1
9	95.06	.WASHER, FLAT 3/8 SAE	1

PARTS

ILLUSTRATED DRAWING 70.8091 HM/HP722 Vacuum Boot



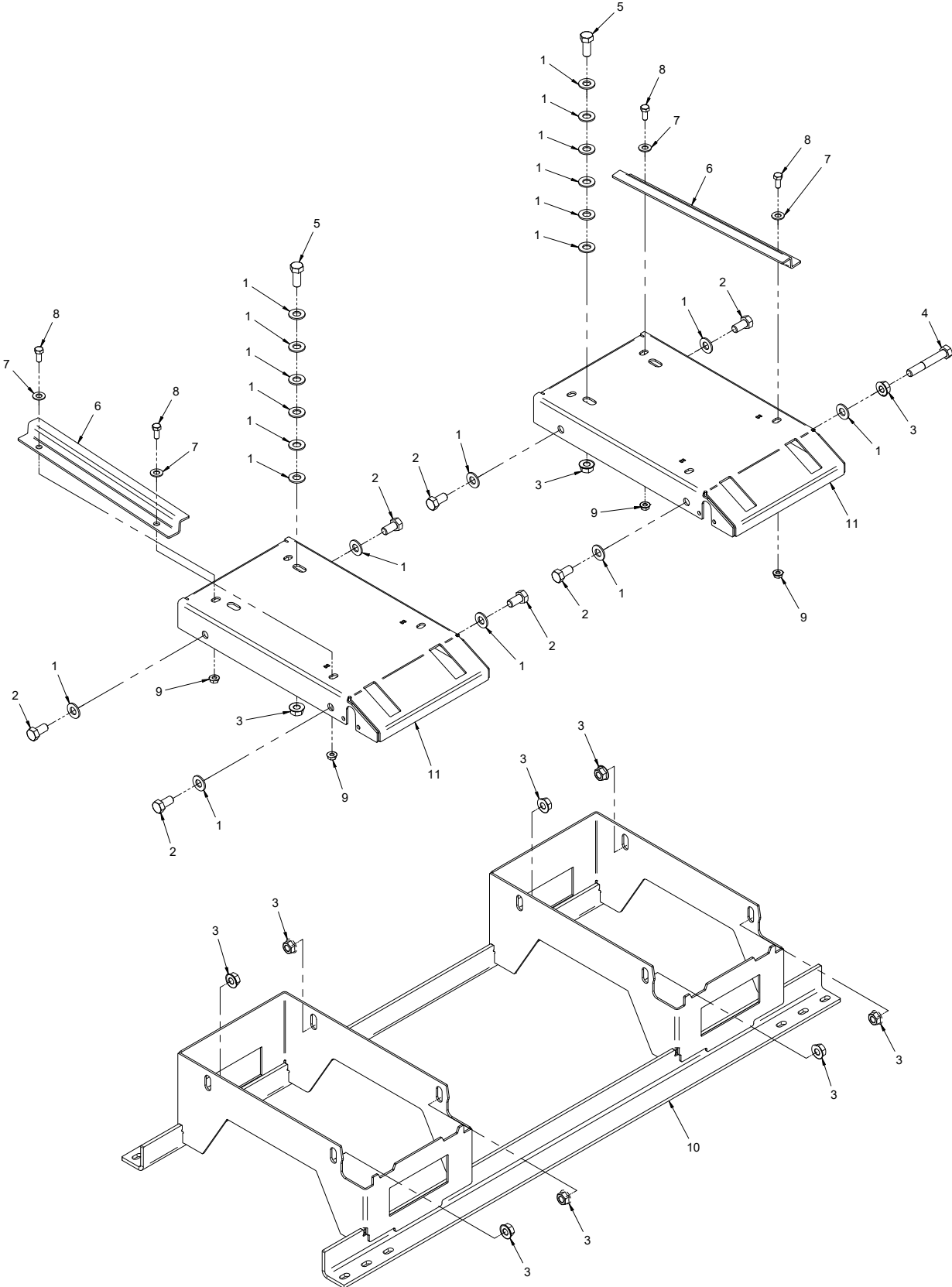
PARTS

70.8091 HM/HP722 Vacuum Boot

REF.	PART NO.	DESCRIPTION	QTY.
1	05.0119	WASHER, NYLON	2
2	94.06	WASHER, FLAT 3/8 USS	4
3	99.SF06	NUT, SRF 3/8-16 USS	5
4	99.F0042	PIN, LIFT ARM 3/8-16 X 1-7/8	2
5	02.HP0313	HAIRPIN, 3/32 X 1-5/8	2
6	64.0602	BUSHING, 3/8 X 5/8 X .265	2
7	90.0610	BOLT, 3/8-16 USS X 1-1/4	1
8	95.06	WASHER, FLAT 3/8 SAE	1
9	62.1315	BOOT, COLLECTION - HM/HP722	1

PARTS

ILLUSTRATED DRAWING 70.8092 Docking Station Base



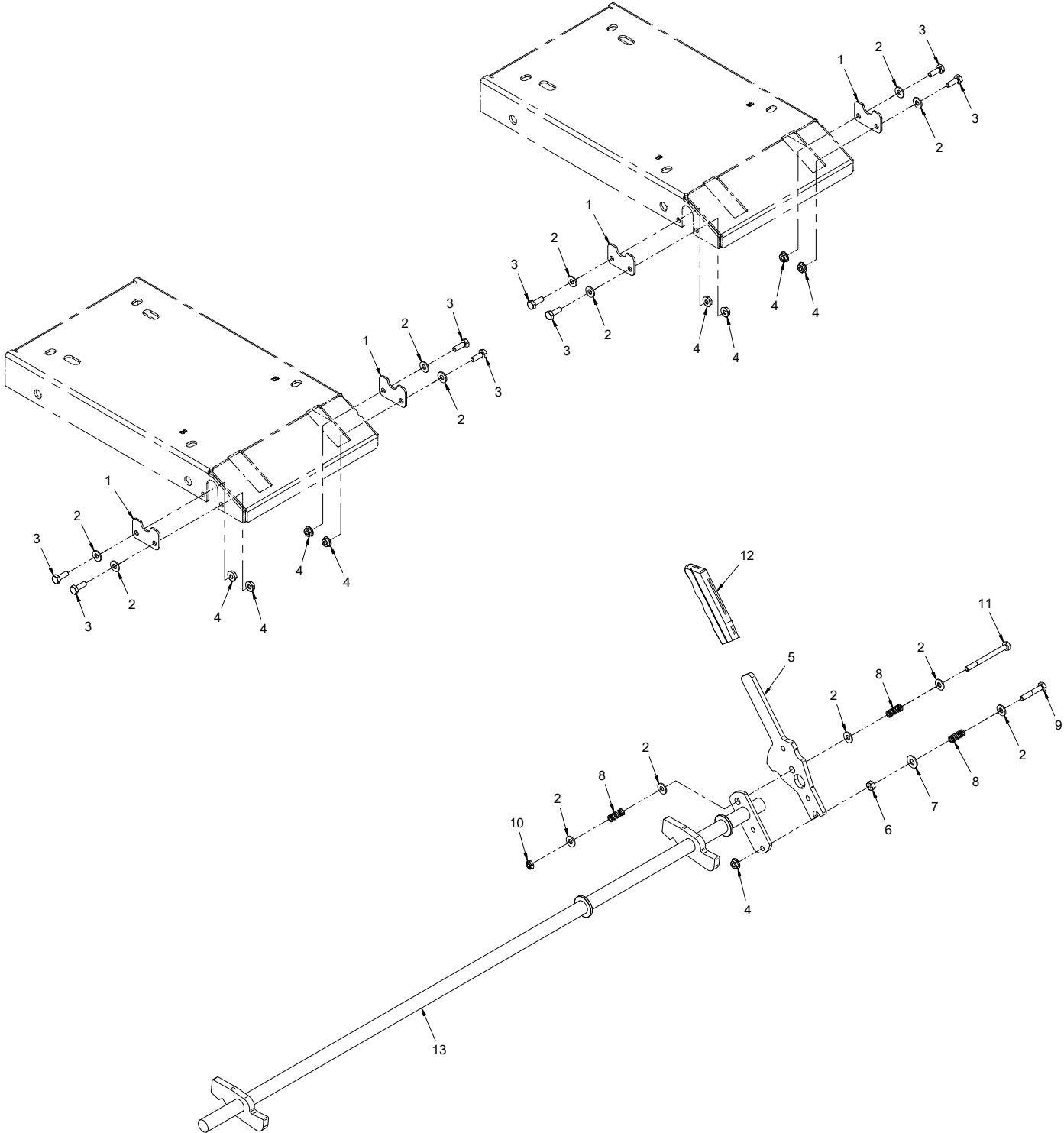
PARTS

70.8092 Docking Station Base

REF.	PART NO.	DESCRIPTION	QTY.
1	95.08	WASHER, FLAT 1/2 SAE	20
2	90.0808	BOLT, HEX 1/2-13 UNC X 1	7
3	99.SF08	NUT, SF 1/2-13 USS	11
4	90.0826	BOLT, HEX 1/2-13 UNC X 3-1/4	1
5	90.0810	BOLT, HEX 1/2-13 UNC X 1-1/4	2
6	42.0541	GUIDE, STORAGE STAND	2
7	95.06	WASHER, FLAT 3/8 SAE	4
8	90.0506	BOLT, HEX 5/16-18 UNC X 3/4"	4
9	99.SF05	NUT, SF 5/16-18 USS	4
10	62.1313	FRAME, STORAGE STAND	1
11	62.1314	STAND, ROLLER RAMP	2

PARTS

ILLUSTRATED DRAWING 70.8092 Docking Station Latch



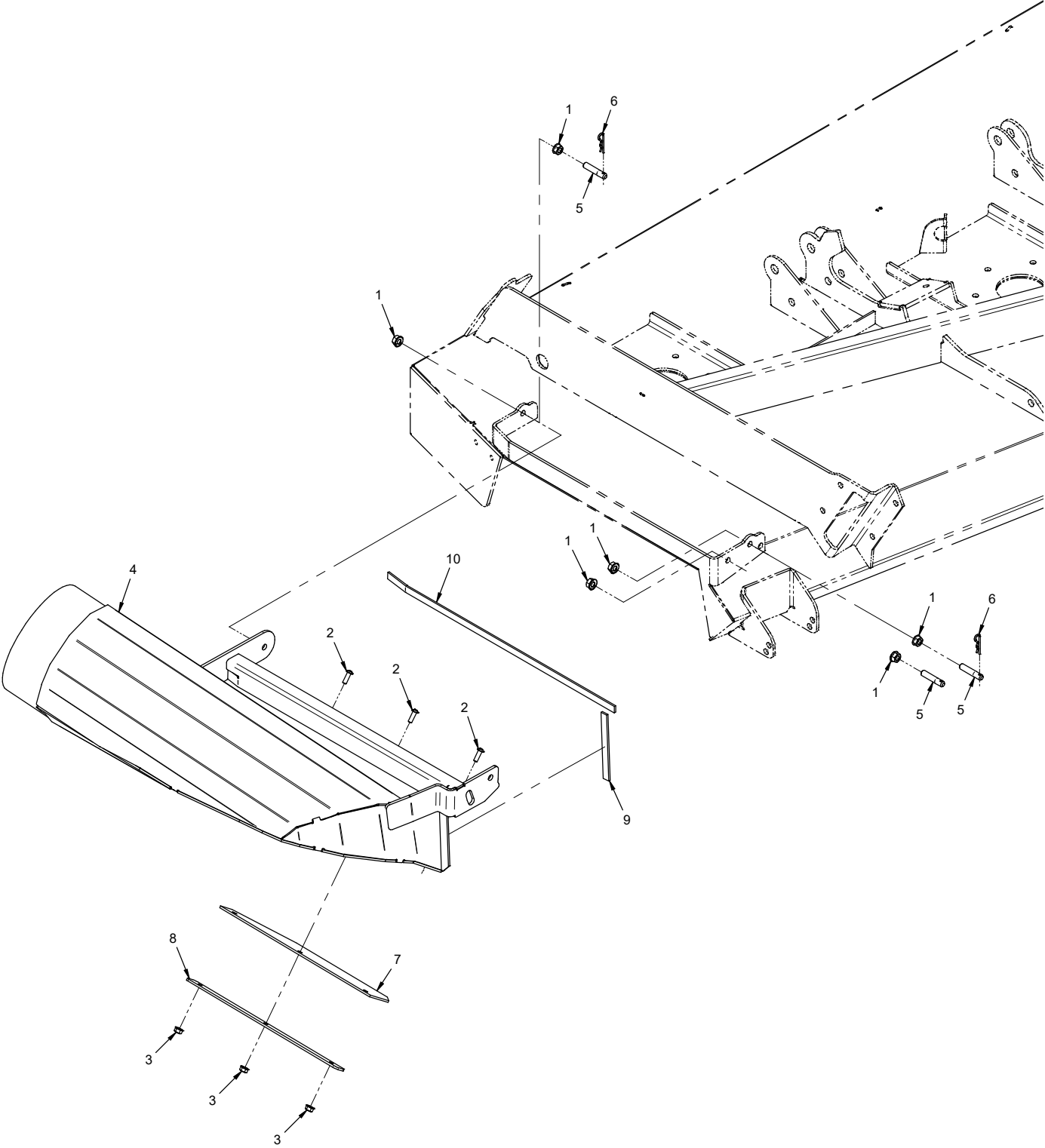
PARTS

70.8092 Docking Station Latch

REF.	PART NO.	DESCRIPTION	QTY.
1	64.1439	.RETAINER, STORAGE LATCH	4
2	95.04	.WASHER, FLAT 1/4 SAE	13
3	90.0406	.BOLT, HEX 1/4-20 UNC X 3/4"	8
4	99.SF04	.NUT, SF 1/4-20 USS	9
5	40.0358	.HANDLE, STORAGE LATCH	1
6	92.04	.NUT, HEX 1/4-20 UNC	1
7	94.04	.WASHER, FLAT 1/4 USS	1
8	41.0094	.SPRING, COMP 3/8 OD X 1" LG	3
9	90.0412	.BOLT, HEX 1/4-20 UNC X 1-1/2"	1
10	99.A04	.LOCKNUT, STOVER 1/4-20 USS	1
11	90.0424	.BOLT, HEX 1/4-20 UNC X 3"	1
12	47.0086	.GRIP, SLIP-ON HANDLE - BLACK	1
13	64.1438	.LATCH, STORAGE STAND	1

PARTS

ILLUSTRATED DRAWING 70.8169 MS/MT Vacuum Boot



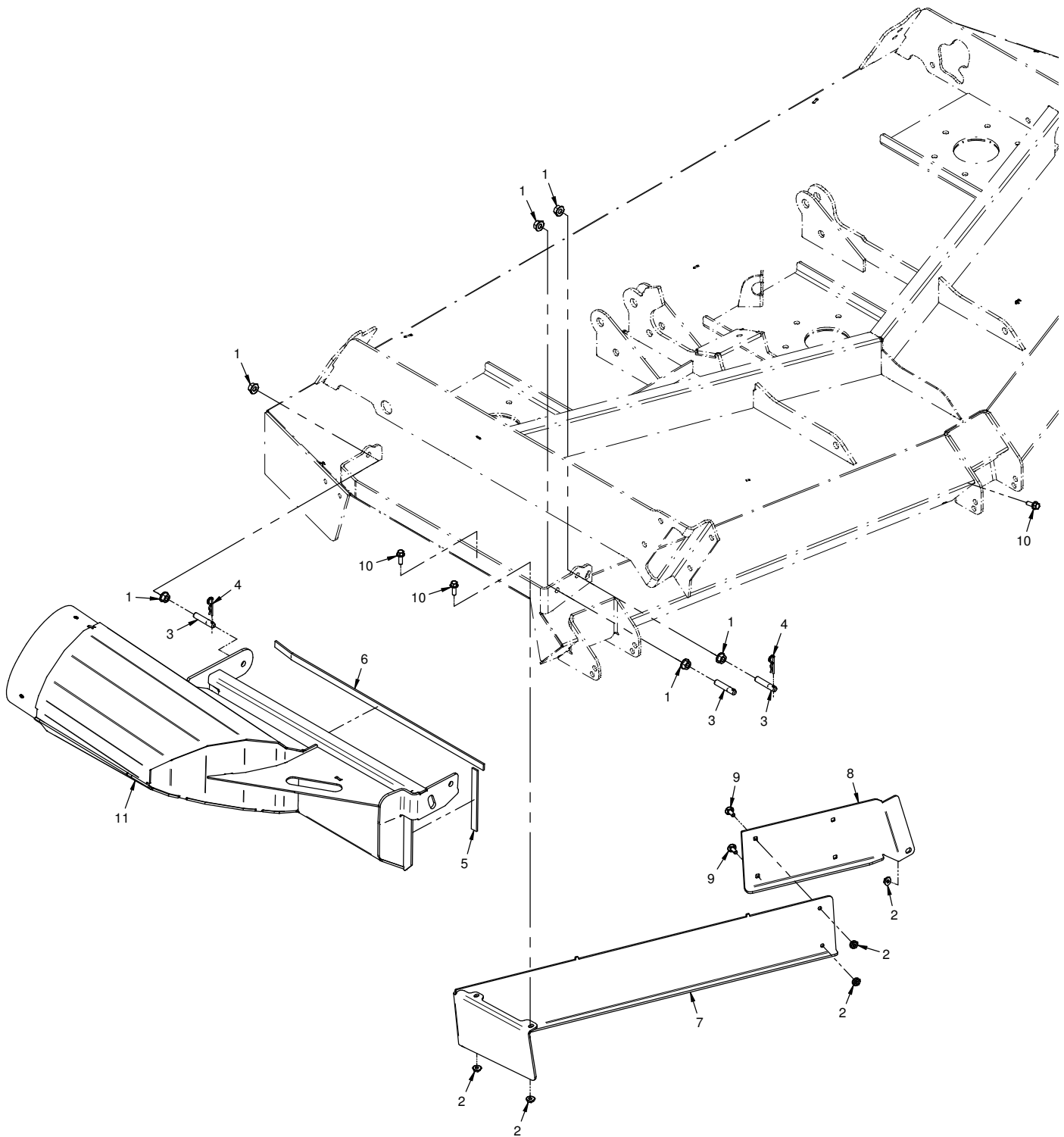
PARTS

70.8169 MS/MT Vacuum Boot

REF.	PART NO.	DESCRIPTION	QTY.
1	99.SF06	.NUT, SRF 3/8-16 USS.	6
2	99.0406	.BOLT, 1/4-20 X 3/4 BSCS.	3
3	99.E0101	.NUT, LOCKING FLANGE 1/4-20	3
4	62.1490	.BOOT COLLECTION MS/MT.	1
5	99.F0042	.PIN, LIFT ARM 3/8-16 X 1-7/8	3
6	02.HP0313	.HAIRPIN, 3/32 X 1-5/8	2
7	44.0390	.BELTING, VAC CHUTE	1
8	64.1996	.BRACKET, STRAP	1
9	06.0078-5IN	.WEATHERSTRIP, 1/8 X 1/2 X 5"	1
10	06.0078-20.75IN	.WEATHERSTRIP, 1/8 X 1/2 X 20-3/4"	1

PARTS

ILLUSTRATED DRAWING 70.8210 Vacuum Boot MS/MT Mowers



PARTS

70.8210 Vacuum Boot MS/MT Mowers

REF.	PART NO.	DESCRIPTION	QTY.
1	99.SF06	.NUT, SRF 3/8-16 USS.	6
2	99.SF04	.NUT, SRF 1/4-20 USS.	5
3	99.F0042	.PIN, LIFT ARM 3/8-16 X 1-7/8	3
4	02.HP0313	.HAIRPIN, 3/32 X 1-5/8	2
5	06.0078-5IN	.WEATHERSTRIP, 1/8 X 1/2 X 5"	1
6	06.0078-20.75IN	.WEATHERSTRIP, 1/8 X 1/2 X 20-3/4"	1
7	MS-298	.BAFFLE, DISCHARGE MS/MT	1
8	MS-299	.BAFFLE, FRONT DISCHARGE MS/MT	1
9	97.0406	.BOLT, CARRIAGE 1/4 X 3/4	2
10	99.SF0406-1	.BOLT, SMF 1/4-20 X 3/4	3
11	62.1505	.BOOT COLLECTION MS/MT	1

WARRANTY



LIMITED WARRANTY - VENTRAC COMMERCIAL EQUIPMENT

Venture Products, Inc., (henceforth referred to as V.P.I.) warrants on the terms and conditions herein, that it will repair, replace, or adjust any part manufactured by Venture Products Inc., and found by Venture Products, Inc., to be defective in material and/or workmanship during the applicable warranty term.

All Ventrac commercial equipment purchased and registered on or after January 1, 2019 will carry a 2-year commercial warranty. The warranty period begins on the date of original customer purchase:

Ventrac Commercial Equipment	Warranty Term
2100 SSV & Attachments	2-year
3000 Series Tractors & Attachments	2-year
4000 Series Tractors & Attachments	2-year

All Ventrac add-on kits and accessories such as: 3-point hitch, 12V front & rear power outlets, foot pedal, dual wheel kit, etc., will be covered under the above warranty periods provided they are installed by an Authorized Ventrac Dealer. This warranty may be transferred and will carry the remainder of the warranty starting from the original purchase/registration date with the dealership and/or V.P.I.

The engine warranty is covered by its respective engine manufacturer. Please refer to the engine manufacturer's warranty statement that is included in the owner's manual.

For warranty consideration on Ventrac commercial equipment, including any defective part, must be returned to an Authorized Ventrac Dealer within the warranty period. The warranty shall extend to the cost to repair or replace (as determined by V.P.I.) the defective part. The expense of pickup and delivery of equipment, service call drive time or any transportation expense incurred for warranty repair is the sole responsibility of the owner and is not covered under warranty by Ventrac and/or V.P.I. Ventrac and V.P.I.'s responsibility in respect to claims is limited to making the required repairs or replacements, and no claim of breach of warranty shall be cause for cancellation or rescission of the contract of sale of any Ventrac equipment. Proof of purchase may be required by the dealer to substantiate any warranty claim. Only warranty work performed and submitted by an Authorized Ventrac Dealer may be eligible for warranty credit.

This warranty extends only to Ventrac commercial equipment operated under normal conditions and properly serviced and maintained. The warranty expressly does NOT cover: (a) any defects, damage or deterioration due to normal use, wear and tear, or exposure; (b) normal maintenance services, such as cleaning, lubrication, oil change; (c) replacement of service items, such as oil, lubricants, spark plugs, belts, rubber hoses, bearings or other items subject to normal service replacement; (d) damage or defects arising out of, or relating to abuse, misuse, neglect, alteration, negligence or accident; (e) repair or replacement arising from operation of, or use of the equipment which is not in accordance with operating instructions as specified in the operator's manual or other operational instructions provided by V.P.I.; (f) repair or replacement arising as a result of any operation from Ventrac equipment that has been altered or modified so as to, in the determination of V.P.I., adversely affect the operation, performance or durability of the equipment or that has altered, modified or affected the equipment so as to change the intended use of the product; (g) repair or replacement necessitated by the use of parts, accessories or supplies, including gasoline, oil or lubricants, incompatible with the equipment or other than as recommended in the operator's manual or other operational instructions provided by V.P.I.; (h) repairs or replacements resulting from parts or accessories which have adversely affected the operation, performance or durability of the equipment; or (i) damage or defects due to or arising out of repair of Ventrac equipment by person or persons other than an authorized Ventrac service dealer or the installation of parts other than genuine Ventrac parts or Ventrac recommended parts.

WARRANTY



LIMITED WARRANTY - VENTRAC COMMERCIAL EQUIPMENT

The sole liability of V.P.I. with respect to this warranty shall be the repair and replacement as set forth herein. V.P.I. shall have no liability for any other cost, loss, or damage. In particular V.P.I. shall have no liability or responsibility for: (i) expenses relating to gasoline, oil, lubricants; (ii) loss, cost or expense relating to transportation or delivery of turf equipment from the location of owner or location where used by owner to or from any Authorized Ventrac Dealer; (iii) travel time, overtime, after hours' time or other extraordinary repair charges or charge relating to repairs or replacements outside of normal business hours at the place of business of an Authorized Ventrac Dealer; (iv) rental of like or similar replacement equipment during the period of any warranty repair or replacement work; (v) any telephone or telegram charges; (vi) loss or damage to person or property other than that covered by the terms of this warranty; (vii) any claims for lost revenue, lost profit or additional cost or expense incurred as a result of a claim of breach of warranty; or (viii) attorney's fees.

The remedies of buyer set forth herein are exclusive and are in lieu of all other remedies. The liability of V.P.I., whether in contract, tort, under any warranty, or otherwise, shall not extend beyond its obligation as set forth herein. V.P.I. shall not be liable for cost of removal or installation nor shall V.P.I. be responsible for any direct, indirect, special or consequential damages of any nature. In no event shall V.P.I. be liable for any sum in excess of the price received for the goods for which liability is claimed.

There are no representations or warranties which have been authorized to the buyer of the Ventrac commercial equipment other than set forth in this warranty. Any and all statements or representations made by any seller of this equipment, including those set forth in any sales literature or made orally by any sales representative, are superseded by the terms of this warranty. Any affirmation of fact or promise made by V.P.I. or any of its representatives to the buyer which relates to the goods that are the subject to this warranty shall not be regarded as part of the basis of the bargain and shall not be deemed to create any express warranty that such goods shall conform to the affirmation or promise.

No employee, distributor, or representative is authorized to change the foregoing warranties in any way or grant any other warranty on behalf of V.P.I.

Some states do not allow limitations on how long an implied warranty lasts or allow the exclusion on limitation of incidental or consequential damages, so the above limitation or exclusion may not apply to you.

This warranty gives you specific legal rights, and you may also have other rights which vary from state to state.

This warranty applies to all Ventrac commercial equipment sold by Venture Products Inc.