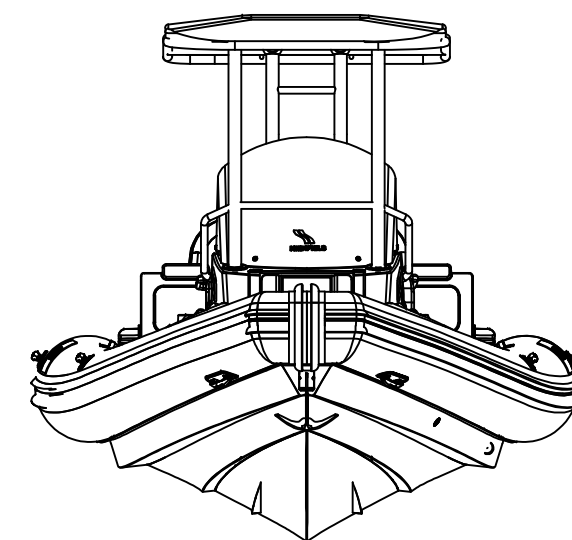
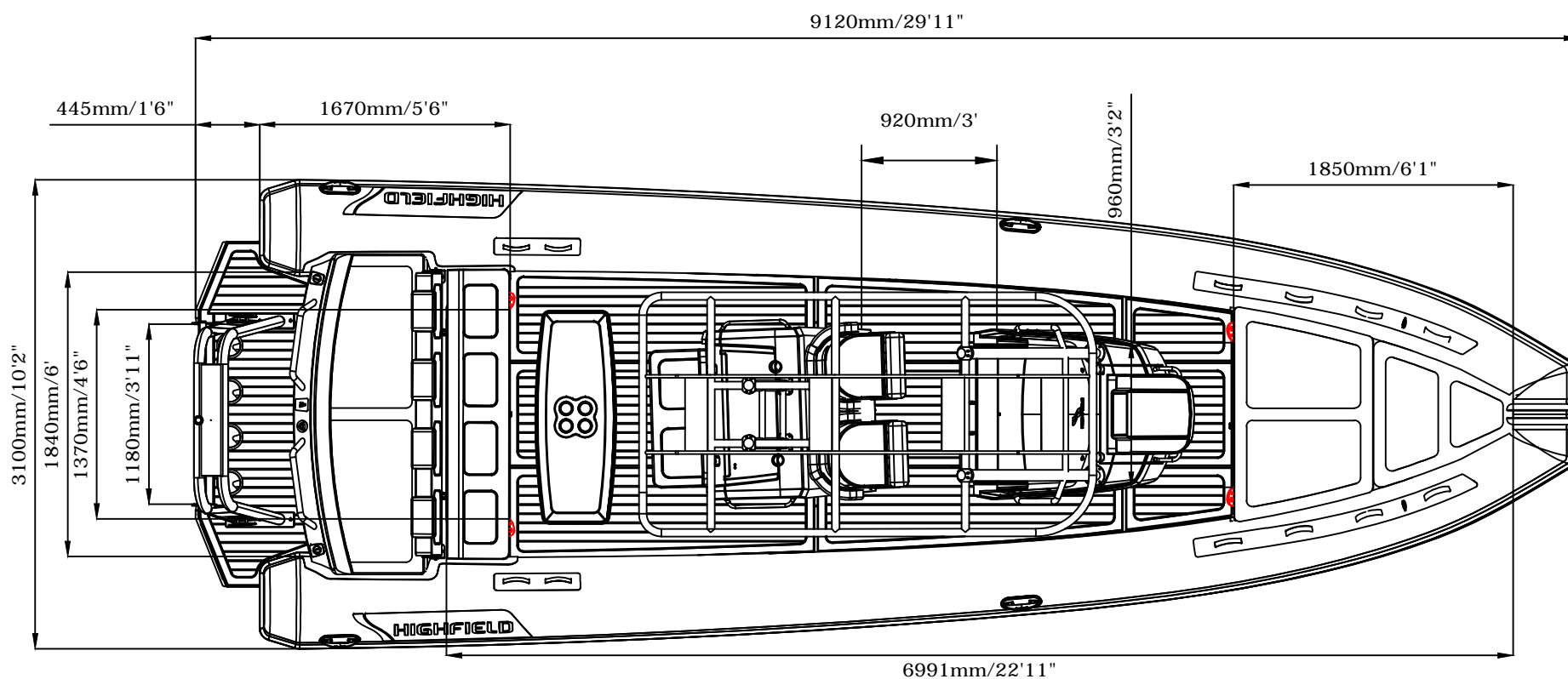
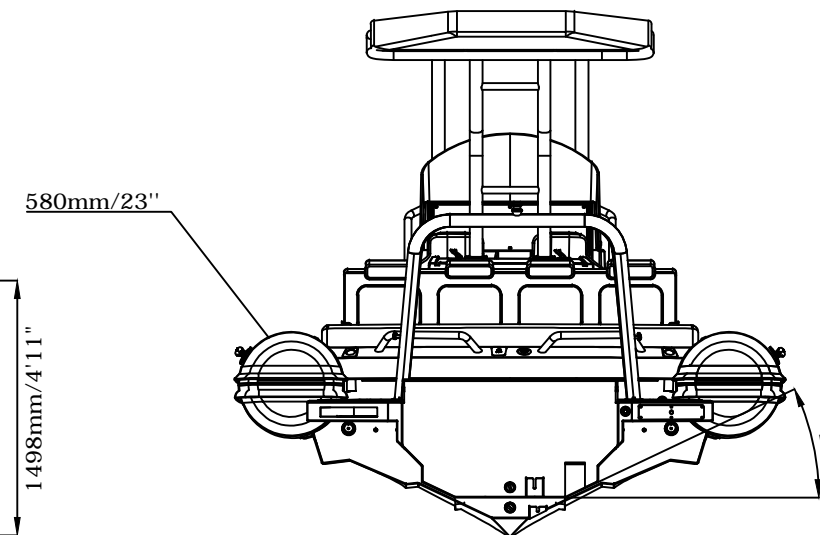
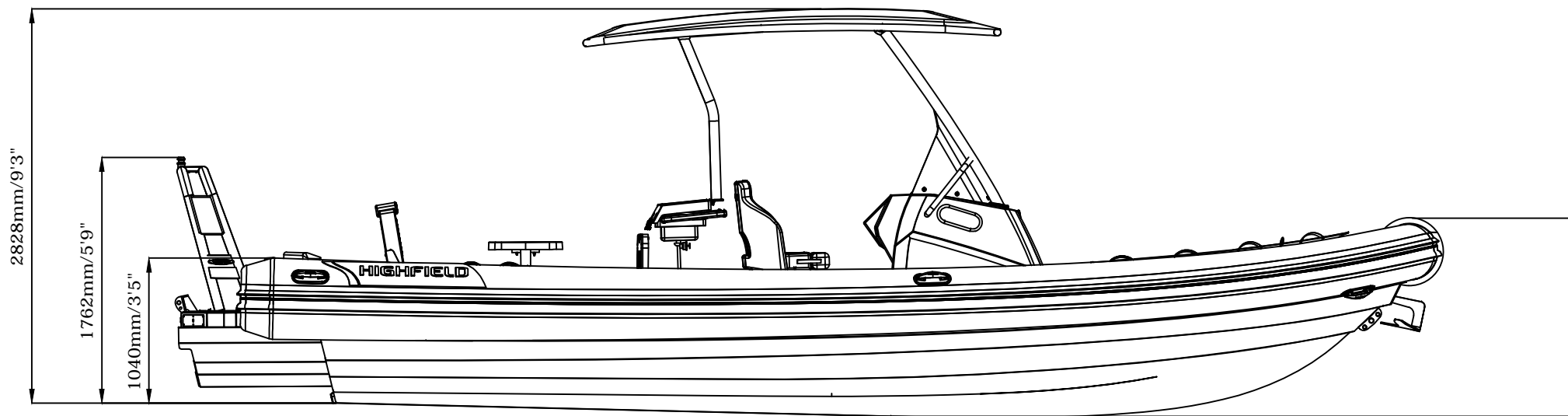


SPORT 900

SPECIFICATIONS



SPECIFICATIONS AND MAXIMUM CAPACITIES (Subject to change without notice. Tolerances: Dimensions ±2.5% Weight ±5%)

MODEL	ISO 6185 PART	ISO 6185	Crew		#	Weight		Shaft	Outboard Engine		Shower kit		Rollbar		Tow post		Fuel tank Capacity		Wet Weight (Approximate) 2*300HP (2*223.8KW) + Fuel		AIR CHAMBERS	Pressure					
			KG	LB		KG	LB		KG	LB	KG	LB	KG	LB	L	GAL	KG	LB	PSI	BAR							
SPORT 900	4	B	1786	3937	15	1125	2480	XL	2*223.8	2*300	625	1378	1780	3924	/	/	26	57	/	/	430	94	2713	5981	6	3.63	0.25

Boat weight includes: console , seat