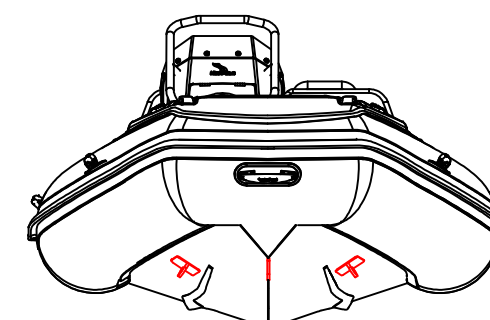
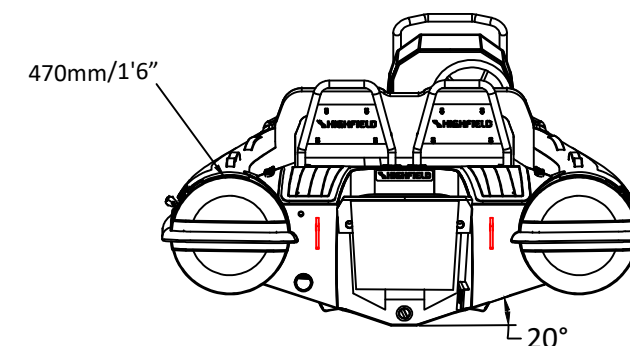
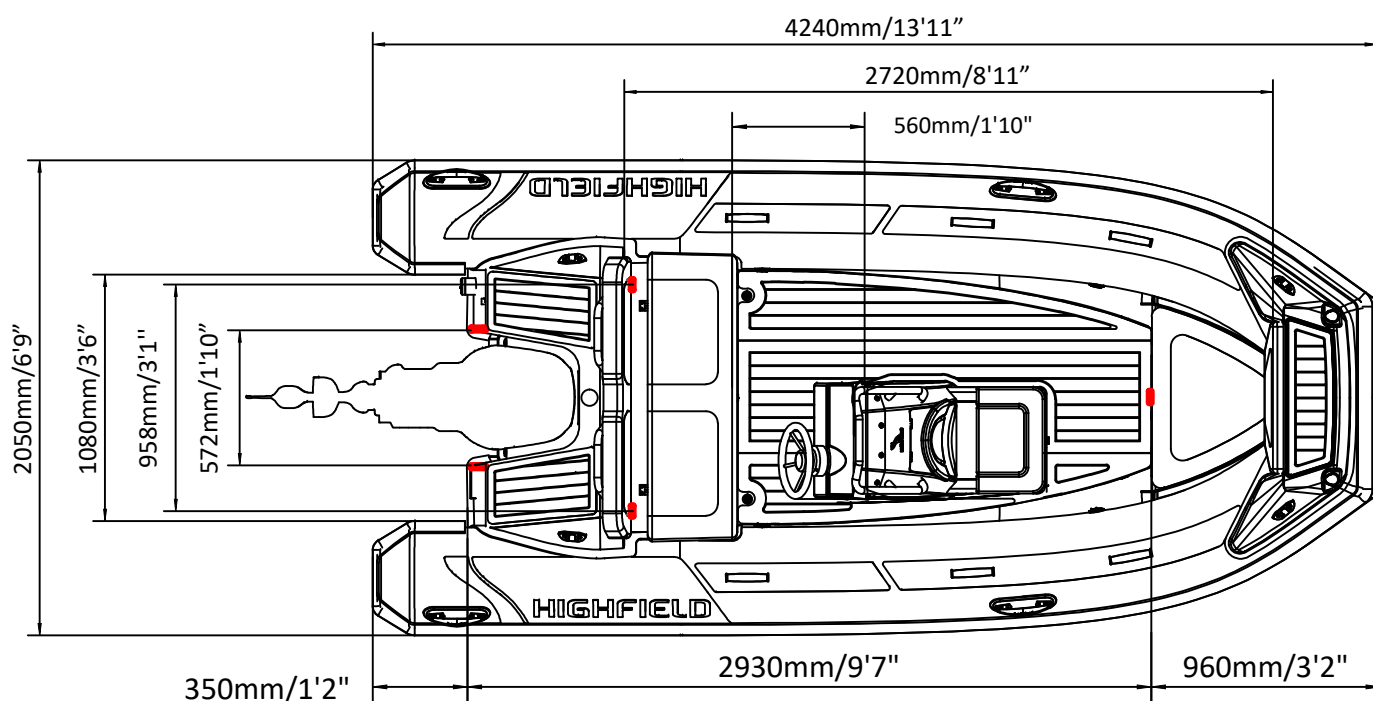
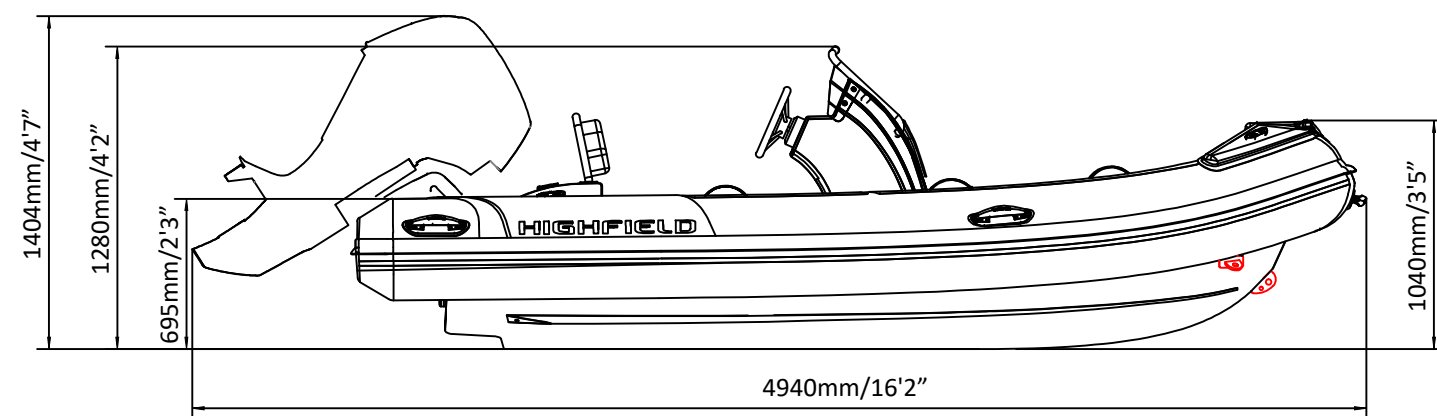


SPORT 420

SPECIFICATIONS



SPECIFICATIONS AND MAXIMUM CAPACITIES (Subject to change without notice. Tolerances: dimensions ±2.5%, weights ±5%)

| MODEL | ISO 6185 PART | ISO 6185 | Crew | | # | Weight | | Shaft | Outboard Engine | | | | Sundeck | | Fuel Tank Capacity | | Tow post | | Rollbar | | Wet Weight (Approximate) Yamaha 70HP +Fuel no arch, +arch=+25lbs | | AIR CHAMBERS | Pressure | | | |
|-----------|---------------|----------|------|------|---|--------|------|-------|-----------------|------------|-------|-----|---------|-----|--------------------|------|----------|------|---------|------|---|------|--------------|----------|-----|------|------|
| | | | KG | LB | | KG | LB | | Max power | Max weight | KG | LB | KG | LB | L | GAL | KG | LB | KG | LB | KG | LB | | PSI | BAR | | |
| | | | | | | | | | KW | HP | KG | LB | | | | | | | | | | | | | | | |
| SPORT 420 | 3 | C | 791 | 1744 | 8 | 600 | 1323 | L | 52.22 | 70 | 188.5 | 416 | 309 | 681 | 9 | 19.8 | 55 | 14.5 | 6.5 | 14.3 | 17.5 | 38.6 | 452 | 995 | 4 | 3.63 | 0.25 |

Boat weight includes: console

2021V2