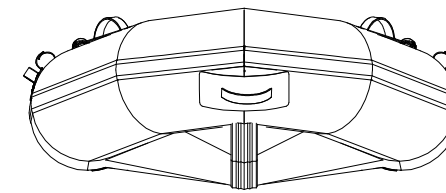
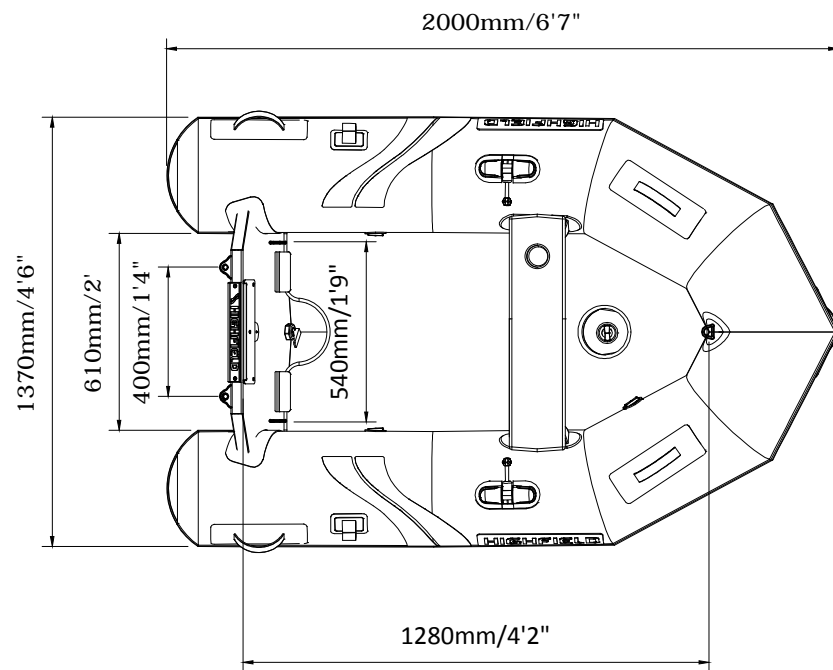
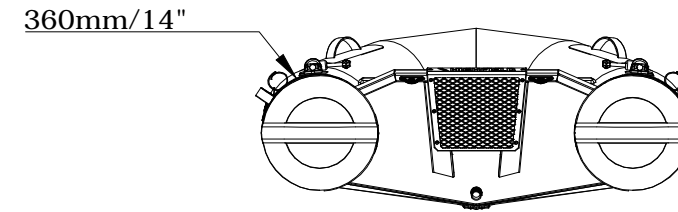
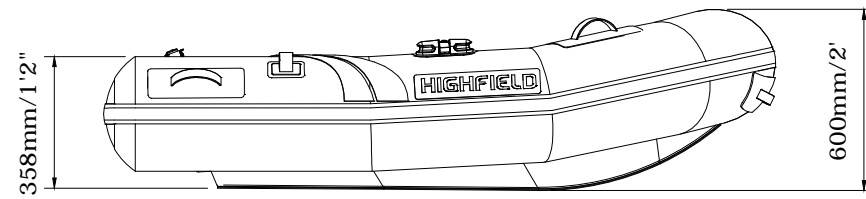


# ROLL-UP 200

# SPECIFICATIONS



SPECIFICATIONS AND MAXIMUM CAPACITIES (Subject to change without notice.Tolerances:Dimensions ±2.5% Weight ±5%)

MODEL	ISO 6185 PART	ISO 6185			#			 Outboard Engine	 Shaft	 Max power		 Max weight		 Molded seat	 Oars		 Fuel tank Capacity		 Wet Weight (Approximate) 3.5HP (2.61KW)		 AIR CHAMBERS							
			KG	LB		KG	LB			KW	HP	KG	LB		KG	LB	L	GAL	KG	LB		PSI	BAR					
RU200KAM	1	C	250	551	2	150	331	S		2.61	3.5	27	60	24	53	2.5	5.5	1.5	3.3	/	/	/	/	51	113	3	3.63	0.25

Boat weight includes: boat only

2021V3