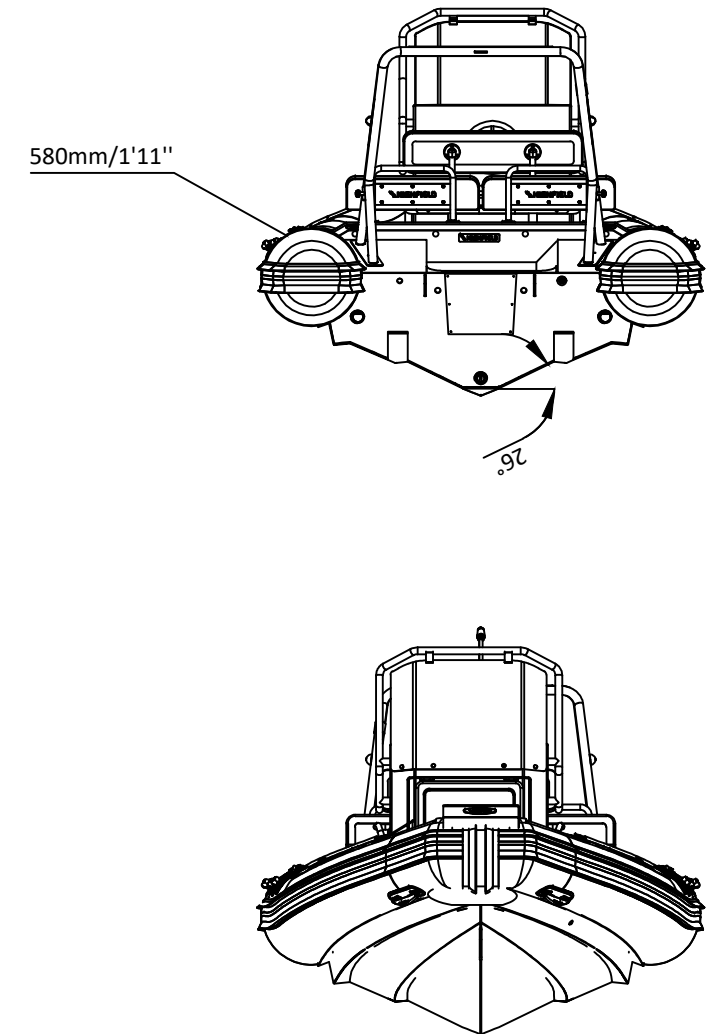
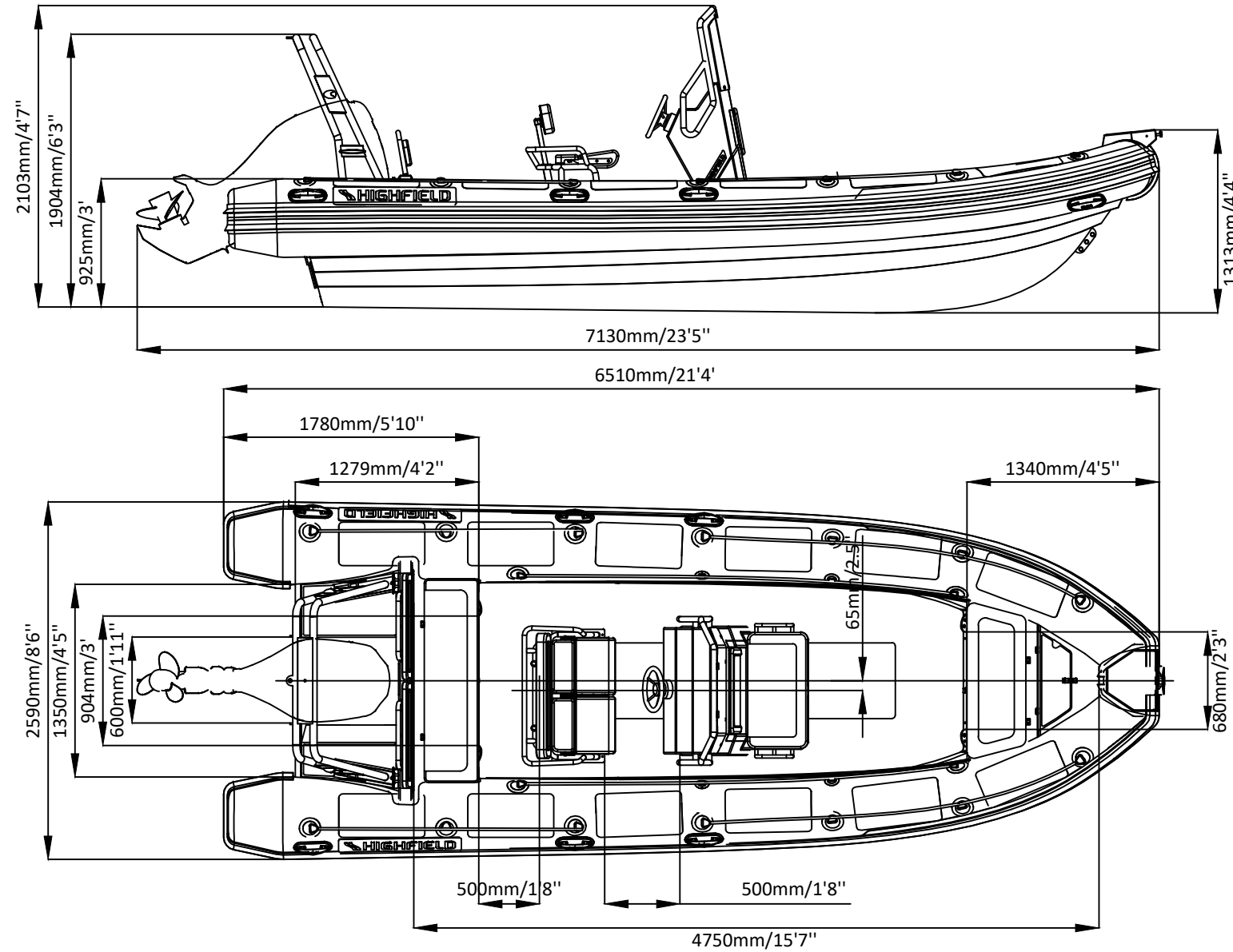


# PATROL 660SB

# SPECIFICATIONS



SPECIFICATIONS AND MAXIMUM CAPACITIES (Subject to change without notice. Tolerances: dimensions ±2.5%, weights ±5%)

MODEL	ISO 6185 PART	ISO 6185	Crew		#	Weight		Shaft	Outboard Engine		Shower kit		Fuel tank Capacity		Tow post		Rollbar		Wet Weight (Approximate) 200HP (149.2KW) +Fuel		AIR CHAMBERS	Pressure					
			KG	LB		KG	LB		KG	LB	L	GAL	KG	LB	KG	LB	KG	LB	PSI	BAR							
PA660 SB	3	C	1287	2837	13	975	2150	XL	149.2	200	260.7	575	740	1631	14.4	31.7	140	37	/	/	16.5	36.4	1102.2	2430	6	3.63	0.25

Boat weight includes: console, seat, rollbar