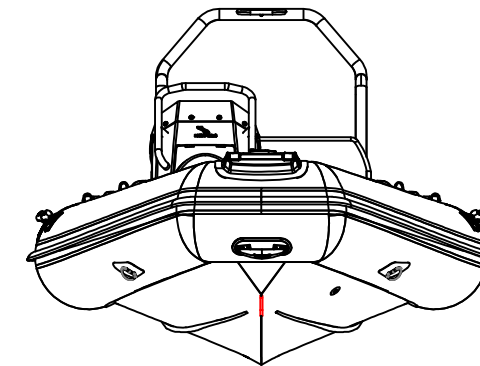
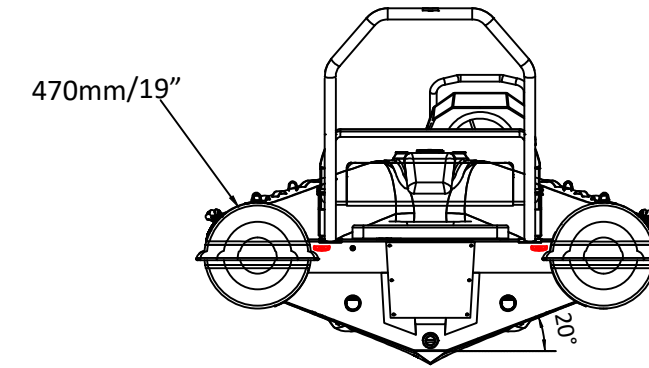
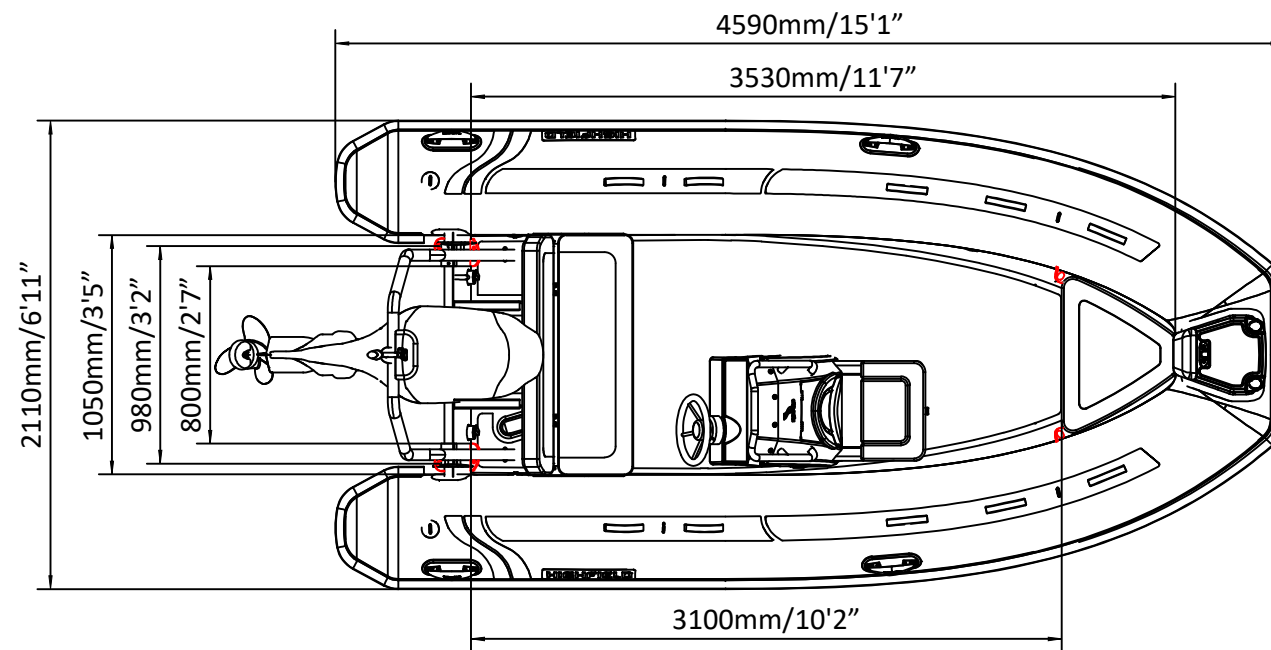
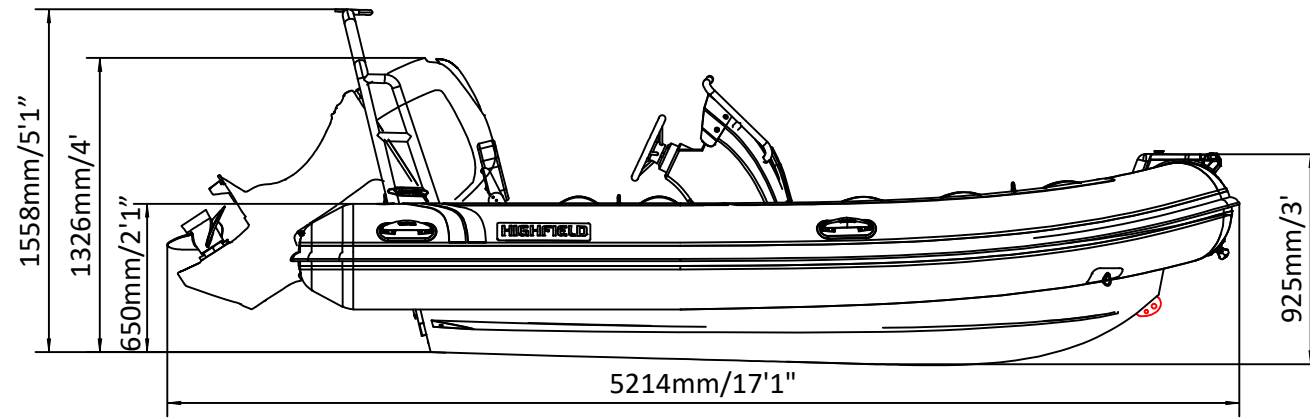


Classic 460

SPECIFICATIONS



SPECIFICATIONS AND MAXIMUM CAPACITIES (Subject to change without notice. Tolerances: dimensions ±2.5%, weights ±5%)

MODEL	ISO 6185 PART	ISO 6185	Passengers		#	Weight		Shaft	Outboard Engine		Console		Seat		Rollbar		Fuel tank Capacity		Wet Weight (Approximate) 80HP (59.68KW) +Fuel		AIR CHAMBERS	Pressure					
			KG	LB		KG	LB		KG	LB	KG	LB	KG	LB	KG	LB	L	GAL	KG	LB		PSI	BAR				
			Max power KW	Max power HP		Max weight KG	Max weight LB		KG	LB	KG	LB	KG	LB	KG	LB	KG	LB	KG	LB		PSI	BAR				
CL460	3	C	944	2081	9	675	1488	L	59.68	80	207.6	458	238	525	26	57	21	46	11	25	40	10.6	475.6	1049	5	3.63	0.25

Boat weight includes: console, seat, rollbar, oar