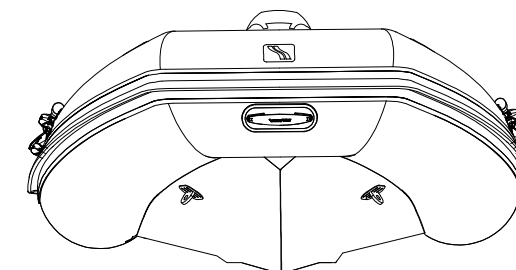
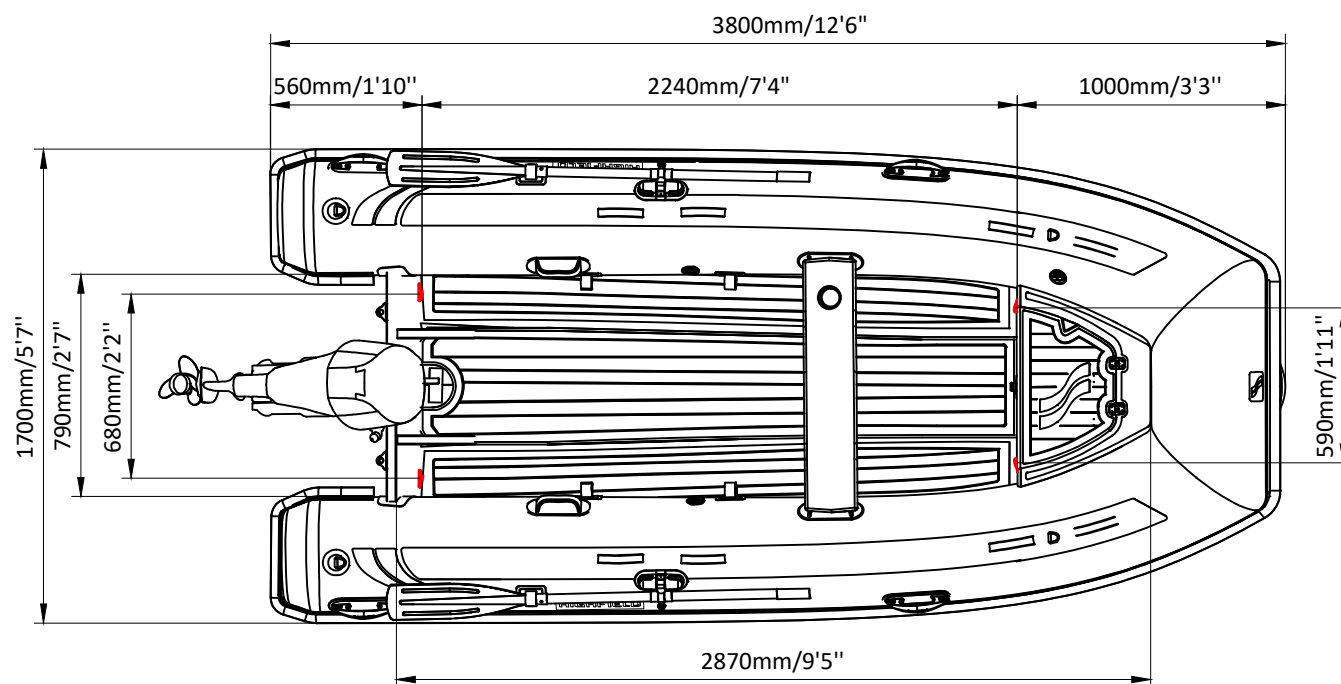
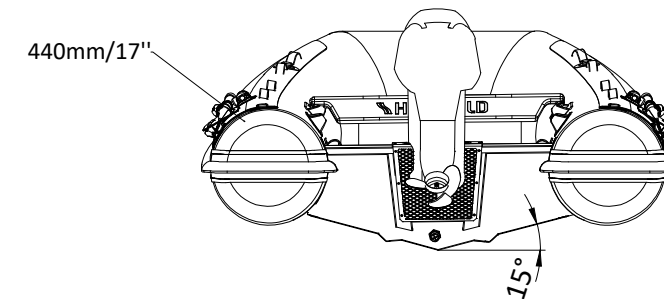
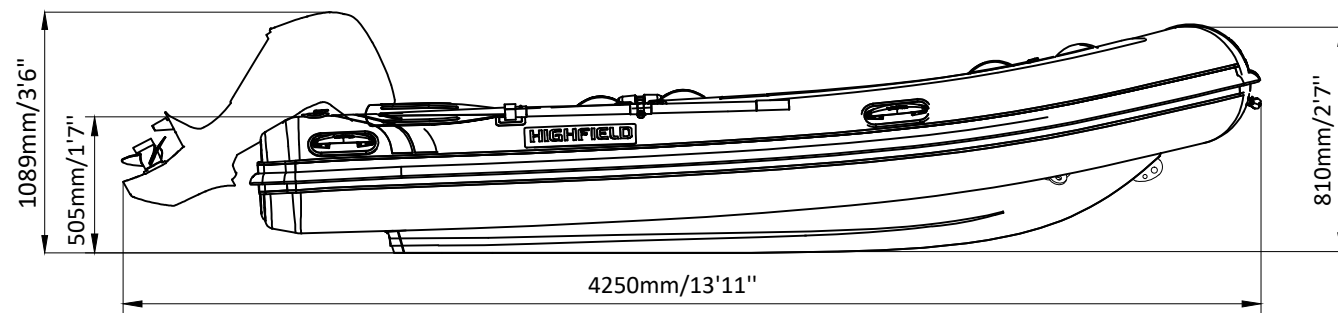


CLASSIC 380

SPECIFICATIONS



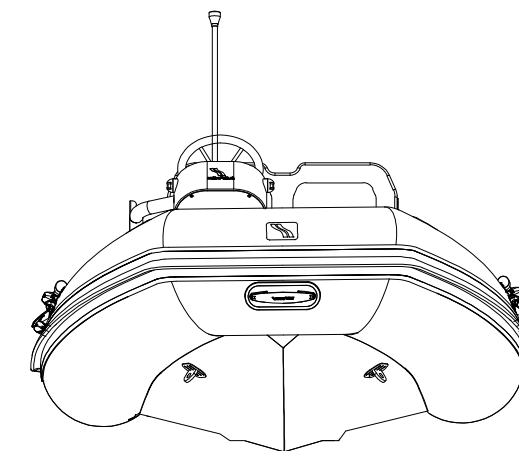
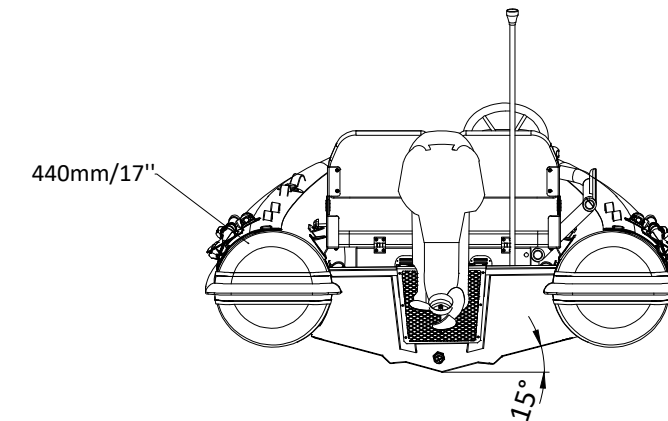
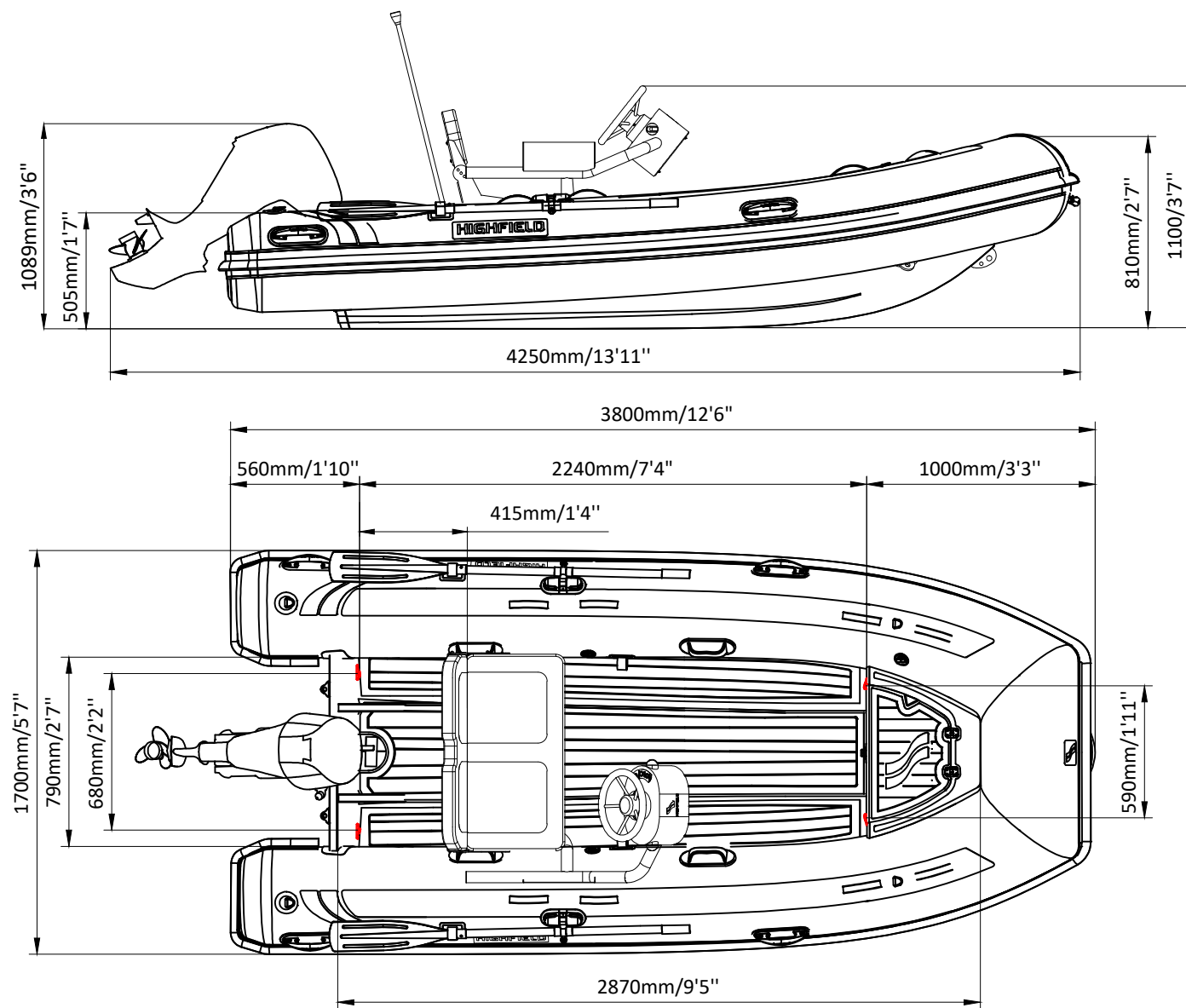
SPECIFICATIONS AND MAXIMUM CAPACITIES (Subject to change without notice. Tolerances: dimensions ±2.5%, weights ±5%)

MODEL	ISO 6185 PART	ISO 6185	Occupants		#	Weight		Shaft	Outboard Engine		Molded seat		Oars		Fuel tank Capacity		Wet Weight (Approximate) 30HP (22.38KW)		AIR CHAMBERS								
			KG	LB		KG	LB		KG	LB	KG	LB	KG	LB	KG	LB	KG	LB	KG	LB	PSI	BAR					
CL380	3	C	637	1404	7	525	1157	S	22.38	30	124.1	274	83	183	3	6.6	1.5	3.3	/	/	/	/	212	467	3	3.63	0.25

Weight: boat only.

CLASSIC 380

SPECIFICATIONS



SPECIFICATIONS AND MAXIMUM CAPACITIES (Subject to change without notice. Tolerances: dimensions ±2.5%, weights ±5%)

MODEL	ISO 6185 PART	ISO 6185	Crew		#	Weight		Shaft	Outboard Engine		FCT		Molded seat		Oars		Fuel tank Capacity		Wet Weight (Approximate) 30HP (22.38KW)		AIR CHAMBERS	Pressure					
			KG	LB		KG	LB		KG	LB	KG	LB	KG	LB	KG	LB	KG	LB	KG	LB		PSI	BAR				
CL380	3	C	637	1404	7	525	1157	S	22.38	30	124.1	274	83	183	36	79	3	6.6	1.5	3.3	/	/	248	547	3	3.63	0.25

Weight: boat only.