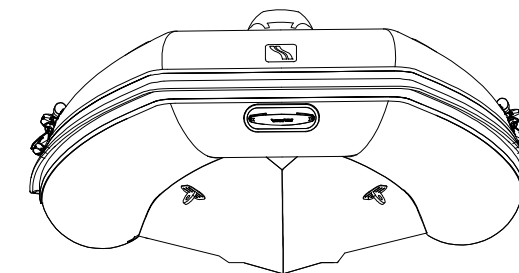
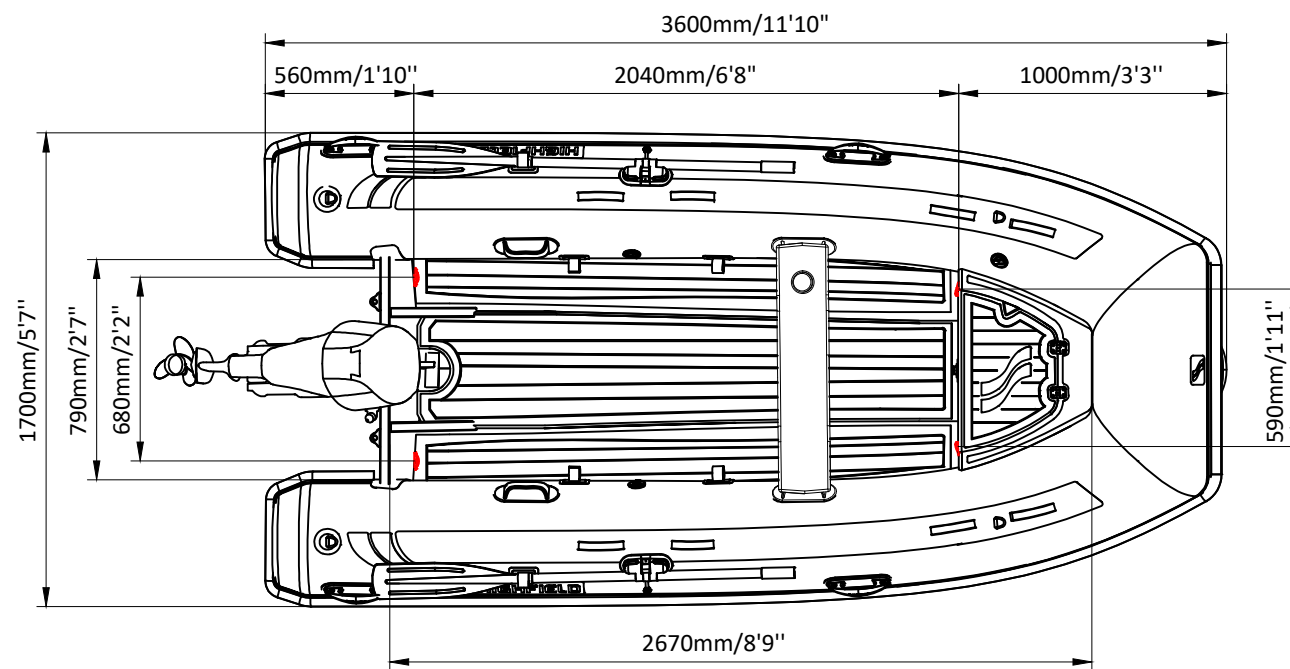
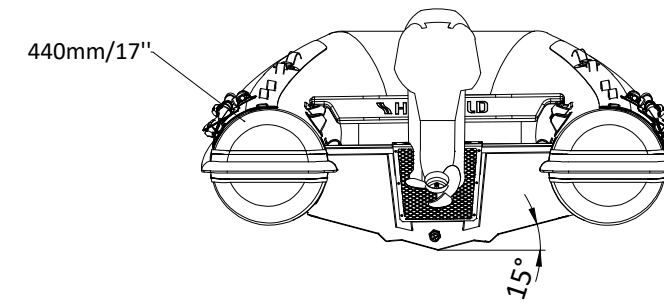
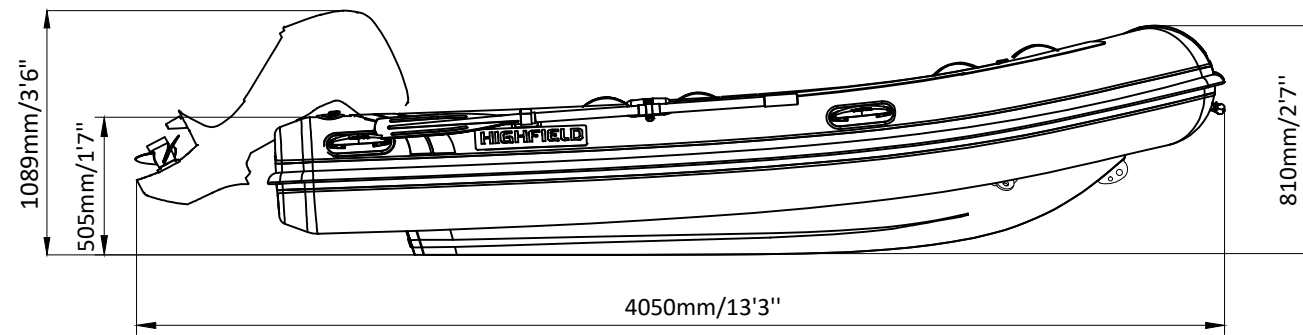


CLASSIC 360

SPECIFICATIONS



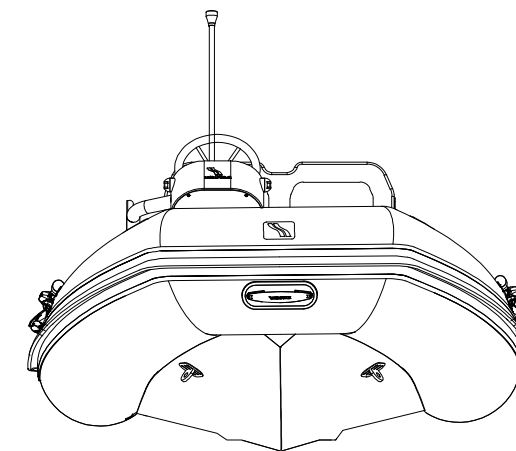
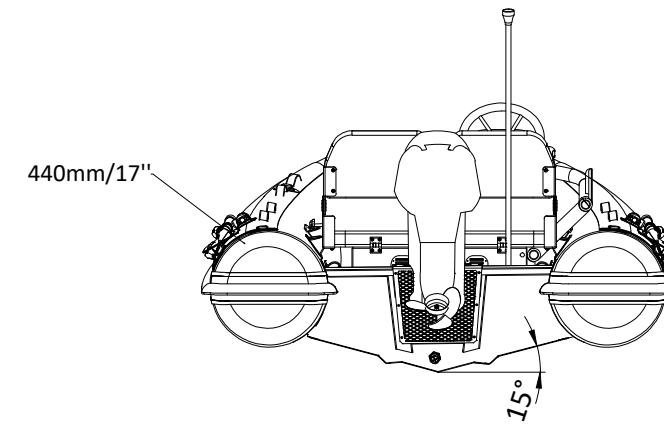
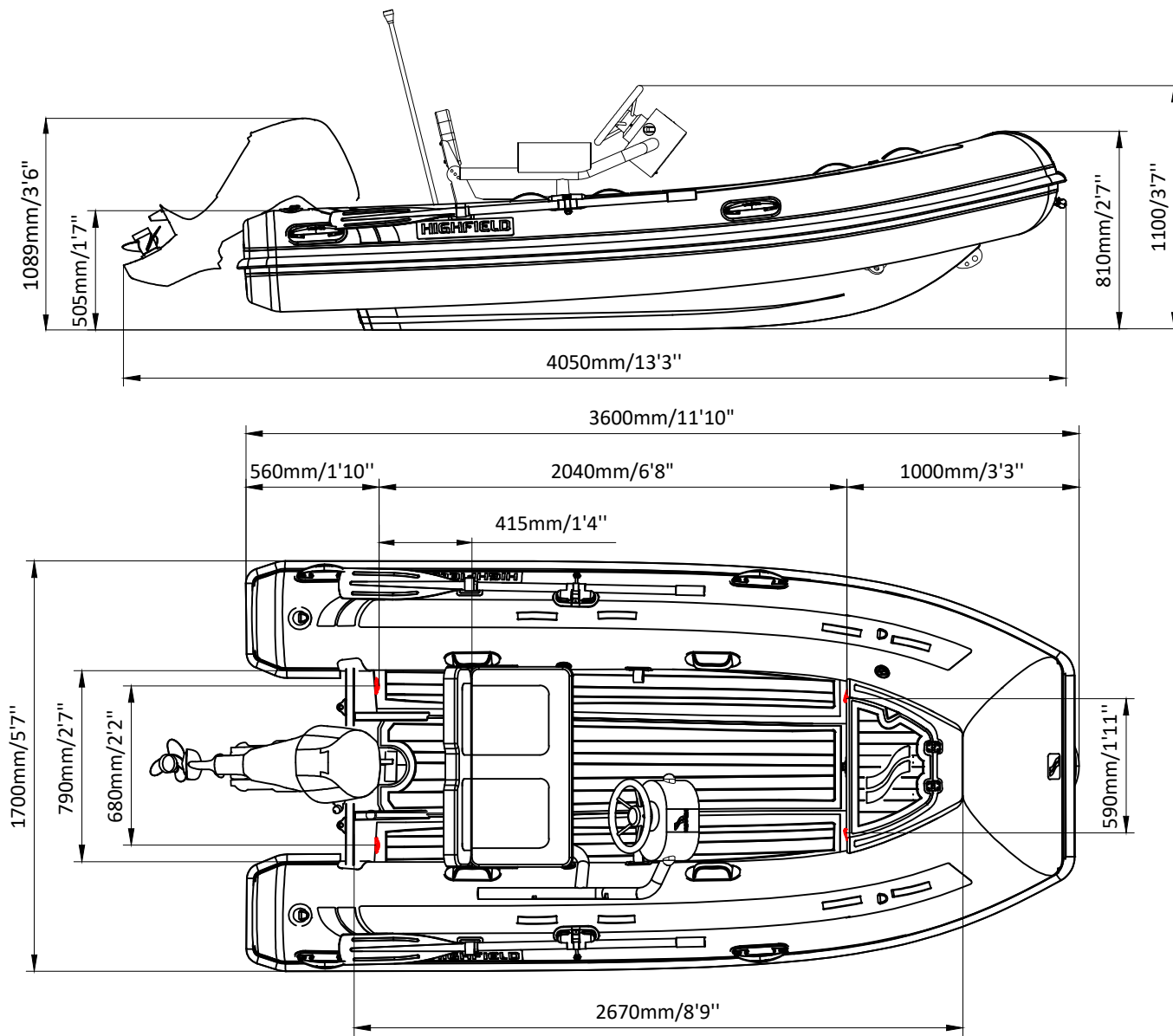
SPECIFICATIONS AND MAXIMUM CAPACITIES (Subject to change without notice. Tolerances: dimensions ±2.5%, weights ±5%)

MODEL	ISO 6185 PART	ISO 6185	Crew		#	Weight		Shaft	Outboard Engine		Molded seat		Oars		Fuel tank Capacity		Wet Weight (Approximate) 30HP (22.38KW)		AIR CHAMBERS	Pressure							
			KG	LB		KG	LB		KG	LB	KG	LB	KG	LB	KG	LB	KG	LB		KG	LB	PSI	BAR				
CL360	3	C	561	1237	6	450	992	S	22.38	30	124.1	274	75	165	3	6.6	1.5	3.3	/	/	/	/	204	450	3	3.63	0.25

Weight: boat only.

CLASSIC 360

SPECIFICATIONS



SPECIFICATIONS AND MAXIMUM CAPACITIES (Subject to change without notice. Tolerances: dimensions ±2.5%, weights ±5%)

MODEL	ISO 6185 PART	ISO 6185	Passengers		#	Weight		Shaft	Outboard Engine		Fuel Capacity		FCT	Molded seat		Oars		Fuel tank Capacity		Wet Weight (Approximate) 30HP (22.38KW)		AIR CHAMBERS	Pressure				
			KG	LB		KG	LB		KG	LB	KG	LB		KG	LB	L	GAL	KG	LB	PSI	BAR						
			Max power KW	Max weight HP		KG	LB		KG	LB	KG	LB		KG	LB	KG	LB	KG	LB	PSI	BAR						
CL360	3	C	561	1237	6	450	992	S	22.38	30	124.1	274	75	165	36	79	3	6.6	1.5	3.3	/	/	240	529	3	3.63	0.25

Weight: boat only.