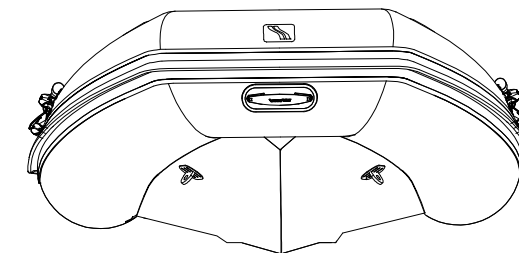
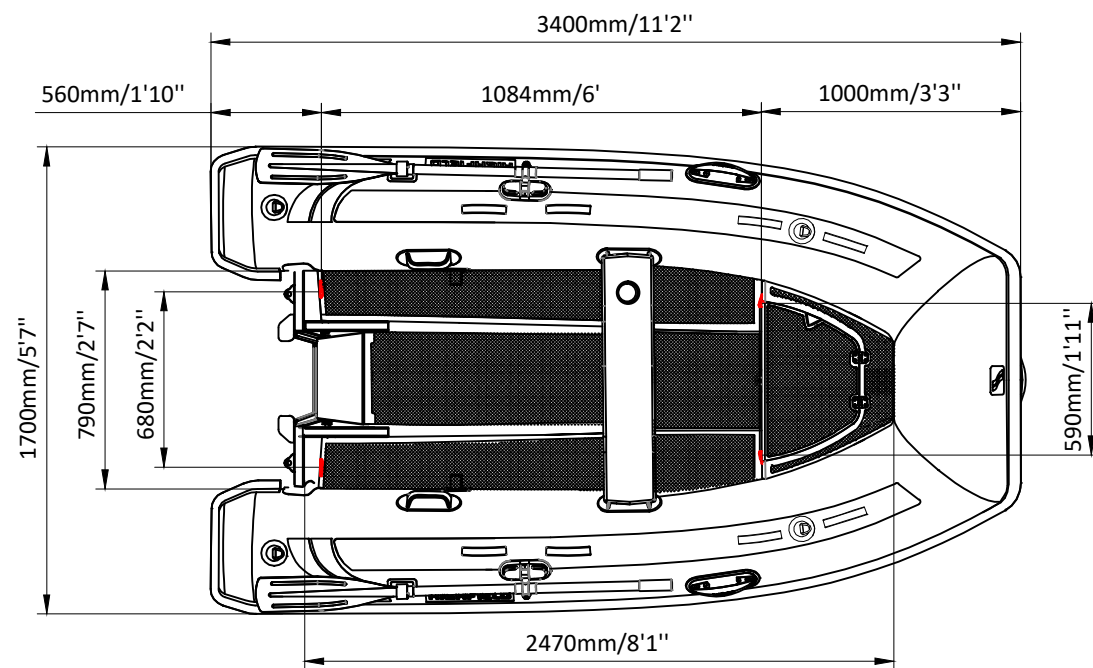
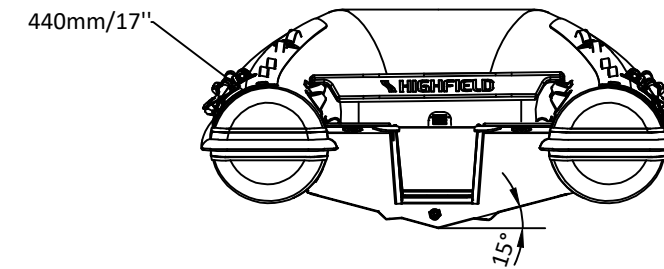
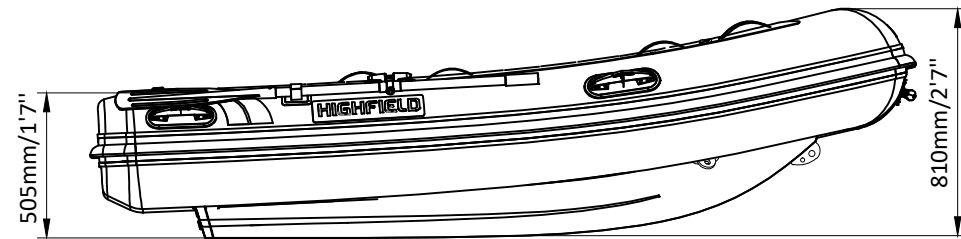


# CLASSIC 340 FT

# SPECIFICATIONS



SPECIFICATIONS AND MAXIMUM CAPACITIES (Subject to change without notice. Tolerances: dimensions ±2.5%, weights ±5%)

MODEL	ISO 6185 PART	ISO 6185			#			 Outboard Engine	 Shaft		 Molded seat		Oars		/		Fuel tank Capacity		 Wet Weight (Approximate) 20HP (14.92KW)		AIR CHAMBERS 						
			KG	LB		KG	LB		KG	LB	KG	LB	KG	LB	KG	LB	L	GAL	KG	LB		PSI	BAR				
CL340FT	3	C	551	1215	6	450	992	S	18.65	25	104.5	230	71	157	3	6.6	1.5	3.3	/	/	/	/	180	397	3	3.63	0.25

Weight: boat only.