



2.5-20HP

MERCURY FOURSTROKE





SOMEWHERE NOT FAR FROM HERE, THERE'S A STORY WAITING FOR ITS AUTHOR.

The search for adventure is addictive. It's the reason you launch before daybreak. It's why you choose a hot spot over a hot meal in the evening. There's too much fun to be had on the water, too few hours in the day, and staying out just five more minutes might be the start of your best story yet. We can't turn off our curiosity or our drive to explore. And even if we could, we wouldn't want to.



NECESSITY IS THE MOTHER OF EXPLORATION

Mercury® FourStroke outboards are made to unlock the inaccessible. To make light work of long journeys. The 2.5 to 20hp FourStroke outboards empower you to enjoy the water on your terms and reach places you wouldn't dare venture with other engines. FourStroke outboards are reliable, compact, lightweight, easy to install and simple to operate, while still delivering quick acceleration and impressive speed. The only thing missing is a destination.





ALL THE ROAM-READY ESSENTIALS

More power. More control. More comfort. Mercury 15 and 20hp FourStroke outboards are designed to improve every minute of your time on the water. The tiller can be adjusted for steering with either hand, adding convenience, while battery-free electronic fuel injection (EFI) and a twin-cylinder powerhead deliver reliability, easy starts, optimized fuel efficiency and outstanding power.

15HP PROKICKER™

With outstanding power and a high-thrust four-blade propeller, the 15hp ProKicker outboard adds confident, steady troll control to large fiberglass and aluminum fishing boats.



2-CYL FOURSTROKE

15/20 HORSEPOWER 333 CC



EASY CONTROL
Adjustable Tiller

IMPRESSIVE PERFORMANCE
Light Weight
High Torque

BETTER EXPERIENCE
Battery-Free EFI
Easy Starts





1-CYL FOURSTROKE

2.5/3.5 HORSEPOWER 85 CC

1-CYL FOURSTROKE

4/5/6 HORSEPOWER 123 CC

2-CYL FOURSTROKE

8/9.9 HORSEPOWER 208 CC

RELIABLE PERFORMANCE

Impressive Torque
Command Thrust Gearcase
Available for 9.9hp models

ADDED CONVENIENCE

Lightweight Portability
Comfortable Tiller Controls

POUND-FOR-POUND POWER

You can still count on oversized fun from our smallest FourStroke outboards. With reliably easy starts, intuitive controls, featherweight portability and great fuel economy, these engines are a perfect partner for your next adventure.



9.9HP / 9.9HP EFI PROKICKER

Everything you should expect from a powerful, dependable kicker. Controlled throttle response. Lightweight construction. Superior torque for greater acceleration and control. Fast, effortless power tilt. The electronic fuel injection (EFI) model features a 333cc powerhead and an exclusive longer tiller handle that's adjustable for port or starboard operation. EFI technology also increases efficiency and ensures instant, reliable starts.



1-CYL FOURSTROKE PROPANE

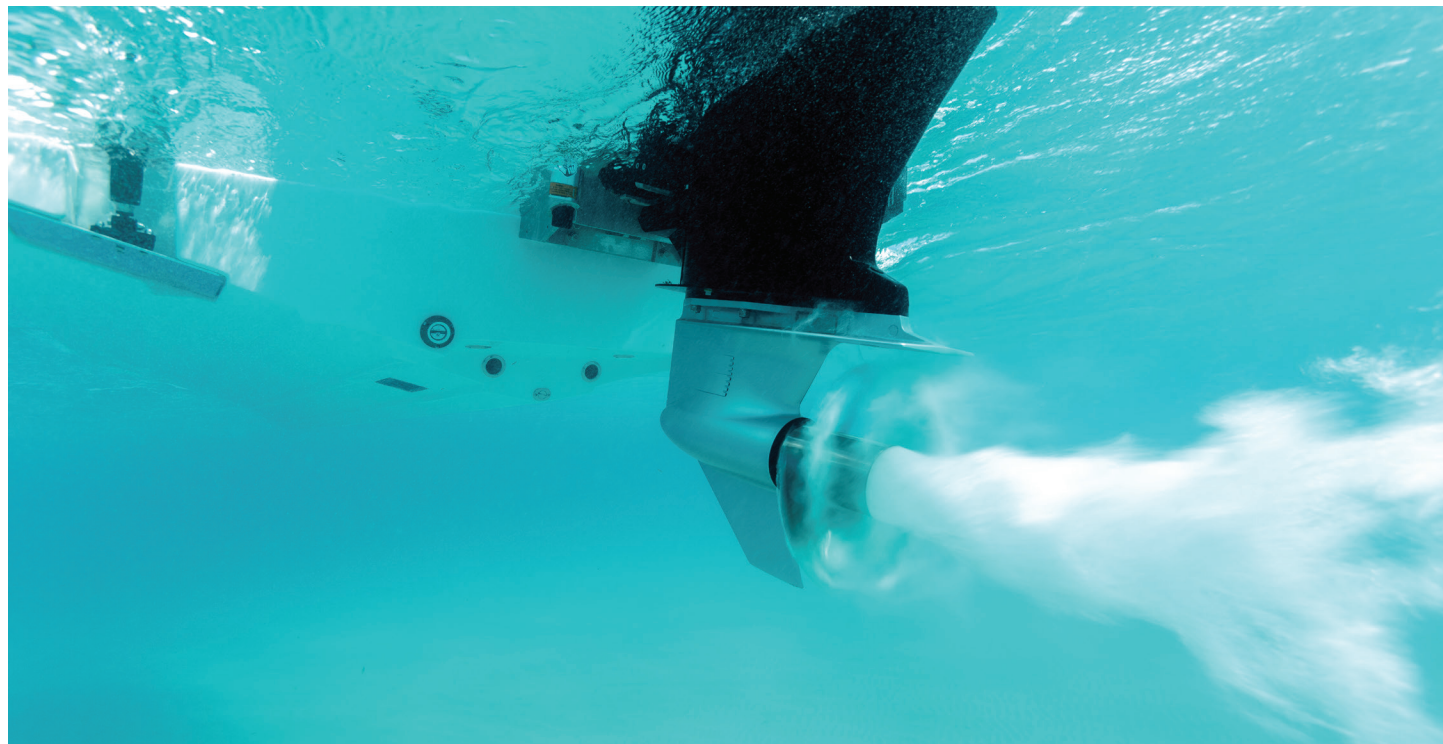
5 HORSEPOWER 123 CC



CLEAN, CONVENIENT EXPLORATION

Now you can power your boat with the same propane used for your grill and eliminate the need to haul gasoline. Clean-burning Mercury 5hp FourStroke Propane outboards produce 25% lower emissions than comparable gasoline-powered outboards. Lightweight, portable and easy to start, a FourStroke Propane outboard adds convenience and flexibility, allowing you to broaden your horizons. A Sail Power model features a longer shaft, more thrust to control larger boats and a 12-volt, 4-amp/50-watt alternator.





PROPELLERS

WHERE THE RPMs MEET THE H₂O

Mercury propellers are engineered to convert every bit of FourStroke horsepower into unmatched performance. With innovative technology and superior materials behind them, Mercury props set the standard for premium design and durability.

Find the ideal prop for your outboard at [mercurymarine.com/propselector](https://www.mercurymarine.com/propselector).



SERVICE & MAINTENANCE

FEWER WORRIES, MORE TIME ON THE WATER

Learn more at [mercurymarine.com/find-a-dealer](https://www.mercurymarine.com/find-a-dealer).



WARRANTY

A Mercury FourStroke outboard is made to last. Every engine is backed with a three-year limited warranty and an industry-exclusive three-year corrosion warranty.



MERCURY PRODUCT PROTECTION

Get up to eight years of total coverage with Mercury Product Protection, a factory-backed extended service contract that covers certain expenses beyond the term of the Mercury limited warranty.



DEALER NETWORK

If your engine requires service, an extensive network of factory-trained dealers and master technicians is ready with genuine Mercury replacement parts and accessories to get you back on the water.



PRECISION CARE

Mercury Precision Parts® provide original factory fit and performance to help keep your engine running like new and performing at its peak. Mercury Precision Lubricants® are specially formulated and tested to exceed our high standards and keep engines running smoothly, no matter where your days take you.

2.5-20HP

FOURSTROKE SPECIFICATIONS



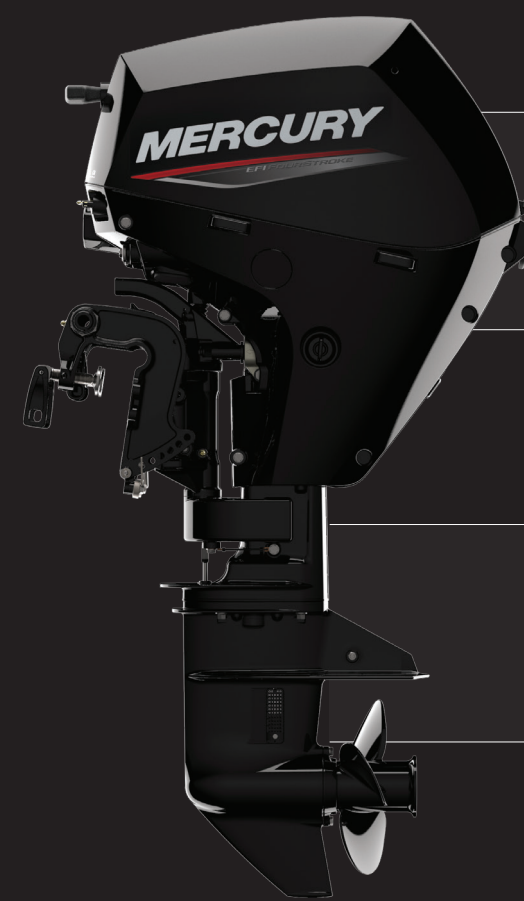
HP	2.5	3.5	4	5	6
WOT RPM:	4500-5500	5000-6000	4500-5500	4500-5500	5000-6000
Engine Type:	1 cylinder	1 cylinder	1 cylinder	1 cylinder	1 cylinder
Displacement:	85cc (5.2 cu in)	85cc (5.2 cu in)	123cc (7.5 cu in)	123cc (7.5 cu in)	123cc (7.5 cu in)
Induction:	2-valve, pushrod	2-valve, pushrod	2-valve, pushrod	2-valve, pushrod	2-valve, pushrod
Starting:	Manual	Manual	Manual	Manual	Manual
Gear Ratio:	2.15:1	2.15:1	2.15:1	2.15:1	2.15:1
Alternator:	N/A	N/A	N/A	Sail Power 4 amp (50 watt)	N/A
Trim System:	4-position manual	4-position manual	6-position manual w/ shallow-water drive	6-position manual w/ shallow-water drive	6-position manual w/ shallow-water drive
Dry Weight:	41lbs (18kg)	41lbs (18kg)	57lbs (26kg)	57lbs (26kg)	57lbs (26kg)
Steering:	360° Tiller	360° Tiller	Tiller	Tiller	Tiller
Shaft Length:	15 in (381mm)	15 in (381mm) 20 in (508mm)	15 in (381mm) 20 in (508mm)	15 in (381mm) 20 in (508mm) 25 in (635mm)	15 in (381mm) 20 in (508mm)



HP	5 Propane
WOT RPM:	5000-6000
Engine Type:	1 cylinder
Displacement:	123cc (7.5 cu in)
Induction:	2-valve, pushrod
Starting:	Manual
Gear Ratio:	2.15:1
Alternator:	Sail Power 4 amp (50 watt)
Trim System:	6-position manual w/ shallow-water drive
Dry Weight:	59lbs (27kg)
Steering:	Tiller
Shaft Length:	15 in (381mm) 20 in (508mm) 25 in (635mm)



HP	8	9.9	9.9 CT	9.9 ProKicker
WOT RPM:	5000-6000	5000-6000	5000-6000	5000-6000
Engine Type:	Inline-2	Inline-2	Inline-2	Inline-2
Displacement:	208cc (12.8 cu in)	208cc (12.8 cu in)	208cc (12.8 cu in)	208cc (12.8 cu in)
Induction:	4-valve, SOHC	4-valve, SOHC	4-valve, SOHC	4-valve, SOHC
Starting:	Electric or manual	Electric or manual	Electric or manual	Electric or manual
Gear Ratio:	2.08:1	2.08:1	2.42:1	2.42:1
Alternator:	6 amp (76 watt) on electric-start models	6 amp (76 watt) on electric-start models	6 amp (76 watt) on electric-start models	6 amp (76 watt) on electric-start models
Trim System:	Ratcheting w/ shallow-water drive	Ratcheting w/ shallow-water drive	Ratcheting w/ shallow-water drive	Power tilt
Dry Weight:	84lbs (38kg)	84lbs (38kg)	96lbs (44kg)	108lbs (49kg)
Steering:	Tiller or remote	Tiller or remote	Tiller or remote	Tiller or remote
Shaft Length:	15 in (381mm) 20 in (508mm)	15 in (381mm) 20 in (508mm) 25 in (635mm)	20 in (508mm) 25 in (635mm)	20 in (508mm) 25 in (635mm)



HP	9.9/15 EFI ProKicker	15/20 EFI
WOT RPM:	5700-6200	5700-6200
Engine Type:	Inline-2	Inline-2
Displacement:	333cc (20.3 cu in)	333cc (20.3 cu in)
Induction:	4-valve, SOHC	4-valve, SOHC
Starting:	Electric or manual	Electric or manual
Gear Ratio:	2.15:1	2.15:1
Alternator:	12 amp (76 watt) on electric-start models	12 amp (76 watt) on electric-start models
Trim System:	6-position manual or power tilt	6-position manual or power tilt
Dry Weight:	122lbs (55kg)	99lbs (45kg)
Steering:	Tiller or remote	Tiller or remote
Shaft Length:	20 in (508mm) 25 in (635mm)	15 in (381mm) 20 in (508mm)

*Dry weight specification is for the lightest-version model. Note: Due to our constant efforts to offer the finest products available, we reserve the right to change specifications without notice. Visit MercuryMarine.com or your Mercury Authorized Dealer for more engine specs and test results.



MERCURY

GO BOLDLY.®

© 2022 Mercury Marine. All Rights Reserved. Reproduction in whole or in part without permission is prohibited.

All trademarks belong to Brunswick Corporation.

Product information in this brochure is accurate as of May, 2022. For the latest content, please visit MercuryMarine.com

