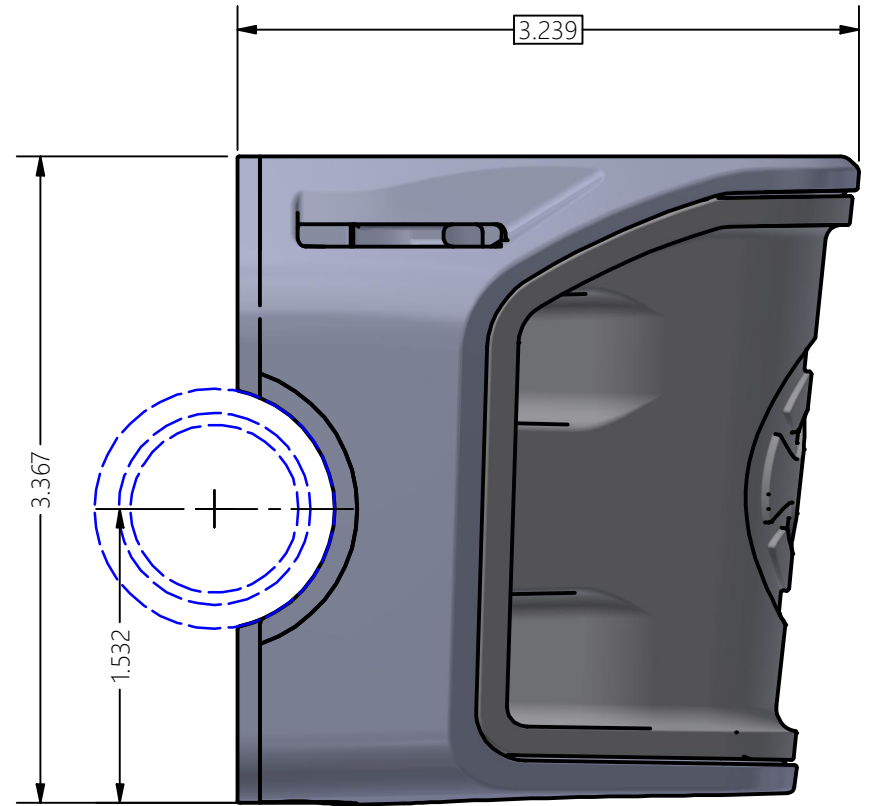


BACK VIEW



SIDE VIEW

Print this drawing and use it to plan you installation.
 Be sure to select 'No Scaling' or equivalent to ensure correct sizing.

PROPRIETARY AND CONFIDENTIAL

THE INFORMATION CONTAINED IN THIS DRAWING IS THE SOLE PROPERTY OF BURNEWIIN, INC. ANY REPRODUCTION IN PART OR IN WHOLE WITHOUT THE WRITTEN PERMISSION OF BURNEWIIN IS PROHIBITED.

UNLESS OTHERWISE SPECIFIED: DIMENSIONS ARE IN INCH	
MATERIAL:	
FINISH:	
DO NOT SCALE DRAWING	

 BURNEWIIN BURNEWIIN INC. 3 NORTHSHORE DR WHITE SALMON, WA 98672 541.386.2034		
--	--	--

TITLE: GM300 Vertical-Surface Mount		
SIZE A	PART NO: GM300_Inventor	REV 003
SCALE: 1 : 1		SHEET 1 OF 1