



Husqvarna®



LE 322R

EN	Operator's manual
ES-MX	Manual del usuario
FR-CA	Manuel d'utilisation

2-26
27-52
53-78

Contents

Introduction.....	2	Maintenance.....	18
Safety.....	6	Troubleshooting.....	21
Assembly.....	11	Transportation, storage and disposal.....	23
Operation.....	11	Technical data.....	24

Introduction

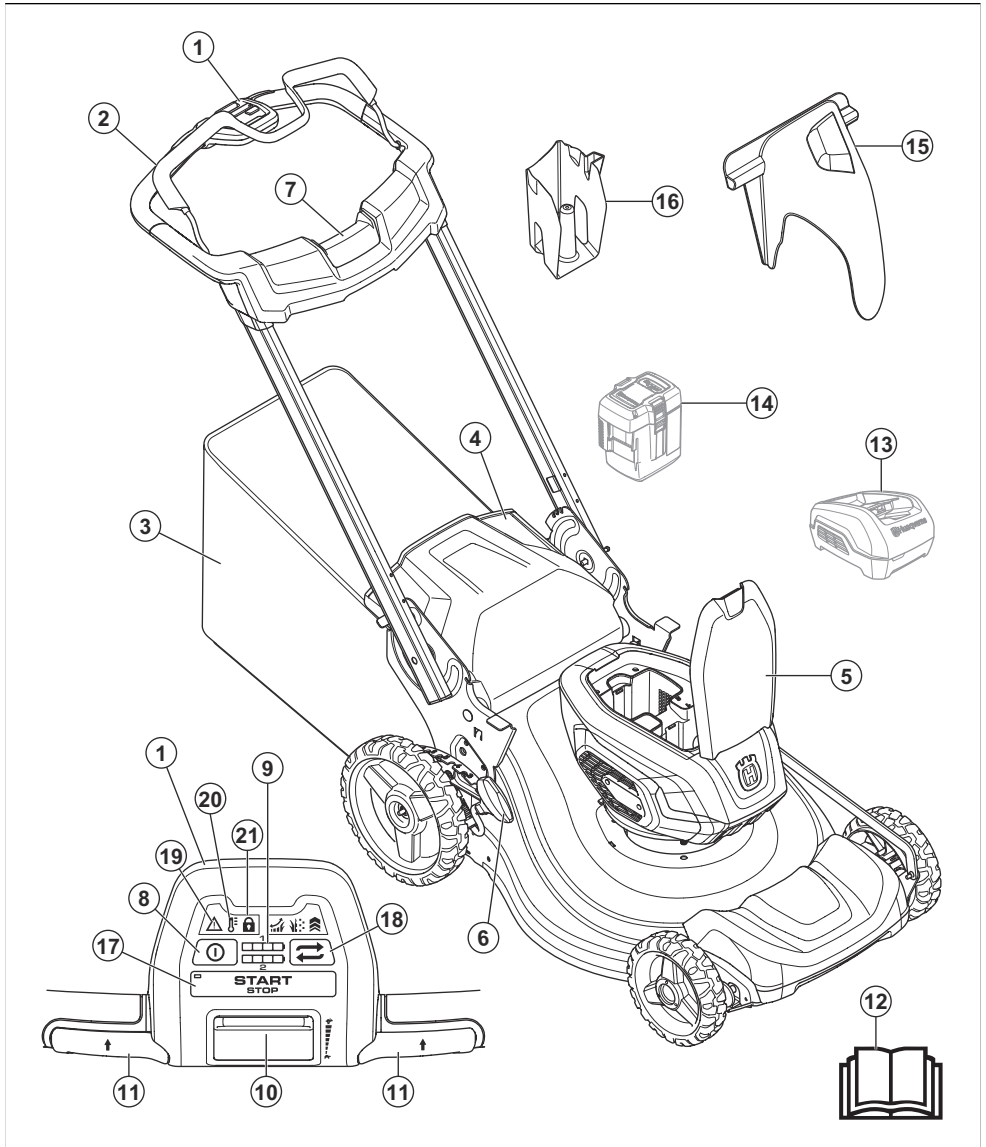
Product description

The product is a pedestrian-controlled rotary lawn mower. The grass is collected in a grass catcher. Remove the grass catcher to get rear discharge of the grass or attach a mulch blade to cut the grass into fertilizer.

Intended use

Use the product to cut grass. Do not use the product for other tasks.

Product overview



- | | |
|-----------------------|------------------------------|
| 1. Control panel | 6. Cutting height control |
| 2. Motor brake handle | 7. Handle release button |
| 3. Grass catcher | 8. ON/OFF button |
| 4. Rear cover | 9. Battery charge indicator |
| 5. Battery cover | 10. Speed adjustment control |

11. Drive control button
12. Operator's manual
13. Battery charger, included in the kit only
14. Battery 2X, included in the kit only
15. Discharge chute
16. Mulch plug
17. Blade start/stop button
18. Cut mode button
19. Error LED
20. High temperature indicator
21. Locked blade indicator



Keep hands and feet away from rotating parts.



Do not expose to rain



Release motor brake handle to stop.



Slow



Fast



Scannable code.



Cut mode.



Mode 1: Sensing.



Mode 2: Mulching / High quality.



Mode 3: Max power.

Note: Other symbols/decals on the product refer to certification requirements for some markets.

Symbols on the product



This product can be dangerous and cause serious injury or death to the operator or others. Be careful and use the product correctly.



Please read the operator's manual carefully and make sure that you understand the instructions before use.



Keep persons and animals at a safe distance from the work area.



Use approved hearing protection.



Look out for thrown objects and ricochets.



Keep hands and feet away from the rotating blade.

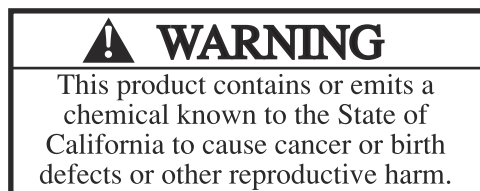


Be careful when you operate the product rearward. Look behind and down for small children, animals or other risks that can cause you to fall.



To operate the product on a slope can be dangerous.

Warning labels



AVOID SERIOUS INJURY OR DEATH

- Read the operator's manual. Go across slopes, not up and down. Do not mow when children or others are around.
- Look down and behind before and while moving. Remove objects that could be thrown by the blade.
- Keep safety devices (guards, shields, switches, etc.) in place and working.
- To reduce risk of electric shock, do not expose unit to water or operate unit on wet ground.
- Remove the batteries before opening, cleaning or changing accessories.
- To reduce the risk of injury, do not operate without guards in place.
- To reduce the risk of injury, inspect catcher assembly frequently and replace with recommended replacement if there are signs of wear or deterioration. Keep hands and feet away – rotating blade hazard. Keep bystanders and children away.
- Remove battery pack when not in use.
- For use only with Husqvarna BLi22 or BLi30 battery.

DANGER DE BLESSURES GRAVES OU MORTELLES

- Lisez attentivement le manuel d'utilisation, Tondez dans pentes et les talus en diagonale, et non à la verticale, N'utilisez pas la tondeuse à proximité d'enfants ou autres personnes.
- Scrutez attentivement le sol si vous devez reculer avec la machine et débarrassez la zone de travail de tout objet risquant d'être projeté.
- Assurez-vous que les dispositifs de sécurité (protections, écrans, interrupteurs, etc.) sont bien en place et fonctionnels.
- Pour diminuer les risques de choc électrique, ne mouillez pas l'appareil ou ne l'utilisez pas sur un sol humide.
- Débranchez le circuit d'alimentation avant de l'ouvrir, de le nettoyer ou de changer les accessoires.
- Afin de réduire le risque de blessures, n'utilisez pas la machine si les dispositifs de protection ne sont pas en place
- Afin de réduire le risque de blessures, inspectez régulièrement l'ensemble trémie de collecte/bac à herbe et remplacez les pièces usées par des pièces recommandées. Il y a un risque de mutilation des doigts ou des orteils. Gardez les enfants et les autres personnes à distance.
- Retirez le bloc-piles lorsque l'outil est inutilisé.
- Pour usage seulement avec batterie Husqvarna BLi22 ou BLi30.

Manufacturer

Husqvarna Professional Products, Inc.

9335 Harris Corners Pkwy, Charlotte, NC 28269, USA

Product liability

As referred to in the product liability laws, we are not liable for damages that our product causes if:

- the product is incorrectly repaired.
- the product is repaired with parts that are not from the manufacturer or not approved by the manufacturer.
- the product has an accessory that is not from the manufacturer or not approved by the manufacturer.
- the product is not repaired at an approved service center or by an approved authority.

Safety

Safety definitions

Warnings, cautions and notes are used to point out specially important parts of the manual.



WARNING: Used if there is a risk of injury or death for the operator or bystanders if the instructions in the manual are not obeyed.



CAUTION: Used if there is a risk of damage to the product, other materials or the adjacent area if the instructions in the manual are not obeyed.

Note: Used to give more information that is necessary in a given situation.

Safety instructions



WARNING: When using electric lawn mowers, basic safety precautions should always be followed to prevent electrical shock and personal injury, including the following:

- Read all instructions.
- Avoid dangerous environments. Do not operate the product in damp or wet locations.
- Do not operate the product in the rain.
- Keep children away. All visitors should be kept at a safe distance from the work area.
- Dress properly. Do not wear loose clothing or jewelry than can be caught in moving parts. Use rubber gloves and footwear when working outdoors.
- Use safety glasses. Always use a face mask or dust mask if operation is dusty.
- Do not use the product for any job except that for which it is intended.
- Do not force the product. It will do the job better and safer at the rate for which it was designed.
- Do not overreach. Keep proper footing and balance at all times.
- Stay alert. Watch what you are doing. Use common sense. Do not operate the product when you are tired.
- When not in use, the product should be stored in an indoor dry and locked-up place out of reach of children.
- Maintain the product with care. Keep the cutting edges sharp and clean for best and safest performance. Follow instructions for lubricating and changing accessories. Keep handles dry, clean, and free from oil and grease.
- Keep guards in place and in working order.
- Keep blades sharp.
- Keep hands and feet away from cutting area.
- Objects struck by the lawn mower blade can cause severe injuries to persons. The lawn should always be carefully examined and cleared of all objects prior to each mowing.
- If any foreign object is hit or if vibrations occur, obey these instructions: Switch off the motor and remove the battery. Inspect the product for damage. Repair any damage or contact an authorized service agent.
- Use identical replacement blades only.
- The product can be a dangerous tool if used incorrectly or carelessly, which can cause serious or fatal injury to the operator or others.
- Keep in mind that the operator is responsible for accidents or hazards occurring to other people or their property.
- The product must be kept clean. Signs and stickers must be fully legible.
- It is not possible to cover every conceivable situation you can face. Always exercise care and use your common sense. If you get into a situation where you feel unsafe, stop and seek expert advice. Contact your dealer, service agent or an experienced user. Do not attempt any task that you feel unsure of!
- Do not let a child operate the product.
- Do not let a person, without knowledge of the instructions, operate the product.
- Always monitor a person, with decreased physical capacity or mental capacity, that uses the product. A responsible adult must always be there.
- Never use the product if you are fatigued, while under the influence of alcohol or drugs, medication or anything that could affect your vision, alertness, coordination or judgment.
- Unauthorized modifications and/or accessories may lead to serious injury or death to the user or others. Under no circumstances may the design of the product be modified without the permission of the manufacturer.
- Do not modify this product or use it if it appears to have been modified by others.
- Never use a product that is faulty. Carry out the safety checks, maintenance and service instructions described in this manual. Some maintenance and service measures must be carried out by trained and qualified specialists. See instructions in the section *Safety instructions for maintenance on page 10*.
- Always use original accessories.

Work area safety

- Remove branches, twigs, stones and other objects from the lawn before you start to cut.
- Keep persons, including children, and animals at a safe distance from the work area.

- Objects that hit against the cutting equipment can be ejected and cause damage to persons and objects.
- Do not use the product in bad weather, including fog, rain, moist or wet locations, strong winds, intense cold and risk of lightning. Doing work in bad weather can cause fatigue and dangerous conditions, such as slippery surfaces.
- Examine your work area to make sure that your control of the product cannot be prevented.
- Be careful of roots, stones, twigs, pits and ditches. High grass can conceal obstacles.
- Do not operate the product on slopes that are more than 15 degrees.
- Operate the product along slopes. Do not move up and down the slope.
- Be careful when you go near hidden corners and objects that can prevent your view.
- Put the product on a stable, flat surface and start it. Make sure that the blade does not hit the ground or other objects.
- Always stay behind the product when you operate it.
- Let all the wheels stay on the ground and keep 2 hands on the handle when you operate the product. Keep your hands and feet away from the rotating blades.
- Do not tilt the product when the motor is started.
- Be careful when you pull the product rearward.
- Never lift up the product when the motor is started. If you must lift the product, first stop the motor and remove the battery.
- Do not walk rearward when you operate the product.
- Stop the motor when you move across areas without grass, for example paths made of gravel, stone and asphalt.
- Do not run with the product when the motor is started. Always walk when you operate the product.
- Stop the motor before you change the cutting height. Never make adjustments with the motor started.
- Never let the product stay out of view with the motor started. Stop the motor and make sure that the cutting equipment does not rotate.

Work safety



WARNING: Read the warning instructions that follow before you use the product.

- Use this product to cut grass lawns only. It is not permitted to use it for other tasks.
- Use personal protective equipment. See *Personal protective equipment on page 8*.
- Do not operate the product in rain or wet conditions. The risk of electrical shock increases if water enters the product.
- Do not operate the product unless the blade and all covers are attached correctly. An incorrectly attached blade can come loose and cause personal injury.
- Make sure that the blade does not hit objects such as stones and roots. This can do damage to the blade and bend the motor shaft. A bent axle causes heavy vibration and a very high risk that the blade becomes loose.
- If the blade hits an object or if vibrations occur, stop the product immediately. Stop the motor, turn the safety key to 0 and remove the battery. Examine the product for damages. Repair damages or let an authorised service agent do the repair.
- Never attach the motor brake handle permanently to the handle when the motor is started.

Safety instructions for operation

Personal protective equipment



WARNING: Read the warning instructions that follow before you use the product.

- Personal protective equipment cannot fully prevent injury but it decreases the degree of injury if an accident does occur. Let your dealer help you select the right equipment.
- Use hearing protection if the noise level is higher than 85 dB.
- Use heavy-duty slip-resistant boots or shoes. Do not use open shoes or go with bare feet.
- Use heavy, long pants.
- Use protective gloves when necessary, for example when you attach, examine or clean the cutting equipment.

Safety devices on the product



WARNING: Read the warning instructions that follow before you use the product.

- Do not use a product with safety devices that are damaged or do not operate correctly.
- Do a check of the safety devices regularly. If the safety devices are damaged or do not operate correctly, speak to your Husqvarna service agent.
- Do not make modifications to safety devices.

To do a check of the cutting cover

The cutting cover decreases vibrations in the product and decreases the risk of injury from the blade.

- Examine the cutting cover to make sure that there are no damages such as cracks.

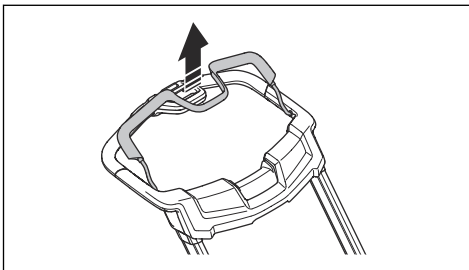
Grass catcher

The grass catcher prevents injury to the operator from the rotating blade. The grass catcher wears during operation of the product. Regularly examine the grass catcher and replace it if it has damages. Replace only with a grass catcher approved by the manufacturer.

Motor brake handle

The motor brake handle stops the motor. When the motor brake handle is released, the motor stops.

To do a check of the motor brake, start the motor and then release the motor brake handle. If the motor does not stop in 3 seconds, let an approved Husqvarna service agent adjust the motor brake.



Battery and battery charger safety

Read the operator's manual for the battery and the battery charger and make sure that you understand the instructions before you use the product.

Battery safety



WARNING: Read the warning instructions that follow before you use the product.

- Use Husqvarna rechargeable batteries as a power supply for related Husqvarna products only. To prevent injury, do not use the battery as a power supply for other devices.
- Do not use non-rechargeable batteries.
- Risk of electrical shock. Do not connect the battery terminals to keys, coins, screws or other metal. This can cause a short circuit of the battery.
- Handle batteries carefully in order not to cause a short circuit with conducting materials such as rings, bracelets, and keys. The battery or conductor can overheat and cause burn injuries.
- Do not put objects into the air slots of the battery.
- Do not expose a battery pack or appliance to fire or excessive temperature. Exposure to fire or temperature above 130 °C / 265 °F may cause explosion.
- Keep the battery away from sunlight, heat or open flame. The battery can explode and cause burns and/or chemical burns.
- Keep the battery away from rain and wet conditions.
- Keep the battery away from microwaves and high pressure.
- Do not try to disassemble or break the battery.
- Do not open or mutilate the battery. Released electrolyte is corrosive and can cause damage to the eyes or skin. It is poisonous if swallowed.
- If the battery leaks, do not let the liquid touch your body or eyes. If you have touched the liquid, clean the area with a large quantity of water and get medical aid.
- Use the battery in temperatures between -10 °C and 40 °C.

- Do not clean the battery or the battery charger with water. See *To clean the battery and the battery charger on page 19*.
- Do not use a defective or damaged battery.
- Keep batteries in storage away from metal objects such as nails, coins, jewelry.

Battery charger

The battery chargers, QC, are only used for charging of Husqvarna replacement batteries.

- Minimize the risk of electric shock or short circuit as follows: Never insert any object into the charger's cooling slots. Do not try to dismantle the battery charger. Never connect the charger terminals to metal objects. Use approved and intact wall sockets.
- This machine produces an electromagnetic field during operation. This field may under some circumstances interfere with active or passive medical implants. To reduce the risk of serious or fatal injury, we recommend persons with medical implants to consult their physician and the medical implant manufacturer before operating this machine.
- Regularly check that the battery charger connection wire is intact and that there are no cracks in it.
- Never carry the battery charger using the cord and never pull out the plug by pulling the cord.
- Keep all cables and extension leads away from water, oil and sharp edges. Make sure the cable is not jammed in doors, fences or the like. Otherwise it can cause the charger to become live.
- Never clean the battery or the battery charger with water.
- The battery charger can be used by children aged from 8 years and above and persons with reduced physical, sensory, or mental capabilities or lack of experience and knowledge if they have been given supervision or instruction concerning use of the appliance in a safe way and understand the hazards involved. Children shall not play with the appliance. Cleaning and user maintenance shall not be made by children without supervision.
- Do not charge non-rechargeable batteries in the battery charger.

- Do not use the battery charger close to corrosive or flammable materials. Do not cover the battery charger. Pull out the plug to the battery charger in the event of smoke or fire.
- Do not use a faulty or damaged battery charger or battery.
- Only charge the battery indoors and protected from direct sunlight and do not charge the battery in any wet conditions.

Safety instructions for maintenance



WARNING: Read the warning instructions that follow before you use the product.

- To prevent accidental start during maintenance, remove the battery and wait a minimum of 5 seconds.
- Do the maintenance work correctly to increase the lifetime of the product and decrease the risk of accidents. Let an approved service agent do the professional repairs. Speak to your nearest service agent for more information.
- Only do the maintenance work written in this operator's manual. All other maintenance must be done by a service agent.
- Put on heavy duty gloves when you use the cutting equipment. The blade is sharp and cuts can easily occur.
- Keep the cutting edges sharp and clean for the best and safest performance.
- Let your service agent regularly examine the product and make necessary adjustments and repairs.
- Replace damaged, worn or broken parts.
- Obey the instructions of how to change accessories. Only use accessories from the manufacturer.
- When not in operation, keep the product, battery and battery charger apart in a dry, indoor and locked area. Make sure that children and persons that are not approved cannot get access to the product, battery or battery charger.

SAVE THESE INSTRUCTIONS

Assembly

Introduction



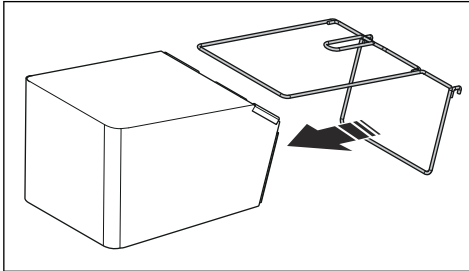
WARNING: Before you assemble the product, read the safety chapter.



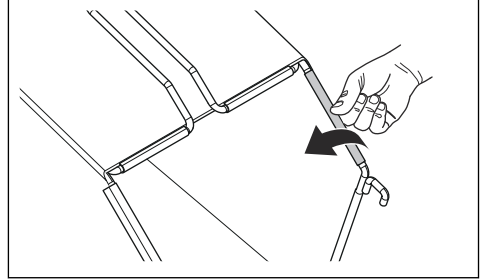
WARNING: To prevent accidental start during assembly, remove the battery and wait at minimum 5 seconds.

To assemble the grass catcher

1. Attach the grass catcher frame to the grass bag with the rigid part of the bag on the bottom. Keep the handle of the frame on top of the grass bag.



2. Attach the grass bag to the grass catcher frame with the clips.



Operation

Introduction



WARNING: Before you operate the product, you must read and understand the safety chapter.

Battery



WARNING: Before you use the battery, you must read and understand the safety chapter. You must also read and understand the operator's manual for the battery and the battery charger.

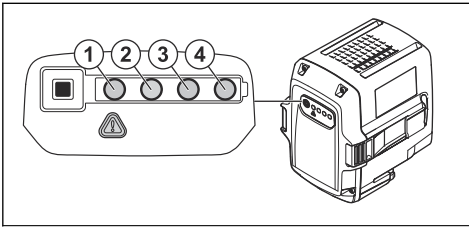
Battery status

The display shows the remaining battery capacity and if there are problems with the battery. The battery capacity is shown for 5 seconds after the motor brake handle is released. The warning symbol on the battery is on when an error has

occurred. Refer to *Battery LED indicator* on page 12.

Battery LED indicator

The display shows the state of charge and if there are problems with the battery.



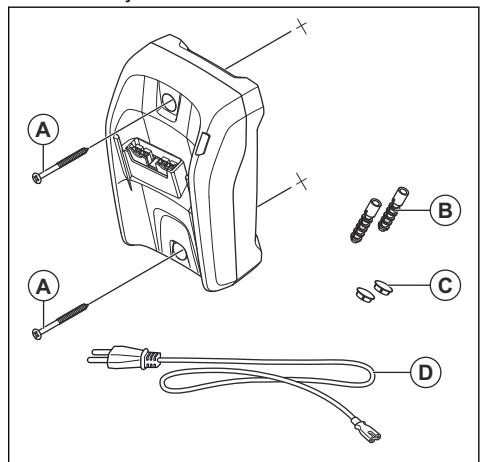
LED indicator	Battery status (state of charge)	
	BLi22	BLi30
4 LED lights are on	N/A	The battery is 76% - 100% charged.
3 LED lights are on	The battery is 76% - 100% charged.	The battery is 51% - 75% charged.
2 LED lights are on	The battery is 51% - 75% charged.	The battery is 26% - 50% charged.
1 LED light is on	The battery is 26% - 50% charged.	The battery is 6% - 25% charged.
1 LED light flashes	The battery is 0% - 25% charged.	The battery is 0% - 5% charged.

To install the battery charger on the wall



CAUTION: Do not use an electric screwdriver to install the battery charger to the wall. An electric screwdriver can cause damage to the battery charger.

1. Install the battery charger on the wall with the 2 screws (A). Use wall plugs (B) if it is necessary.



2. Install the 2 screw hole plugs (C).
3. Connect the power cord (D) to the battery charger and a mains socket.

To charge the battery



CAUTION: Make sure that the battery, the battery charger and the terminals on the battery are clean and dry. Do not put the battery in the battery charger if it is dirty or wet.

1. Connect the battery charger to a power outlet. The charging LED flashes red 1 time and green 1 time.



CAUTION: Only connect the battery charger to a power outlet with the voltage and frequency specified on the rating plate.

2. Connect the battery to the battery charger. The charging LED comes on.
3. Remove the battery from the battery charger when it is fully charged. Push the battery indicator button for battery status. When all the LED indicators come on, the battery is fully charged.
4. Pull the power plug to disconnect the battery charger from the power outlet. Do not pull the power cord.

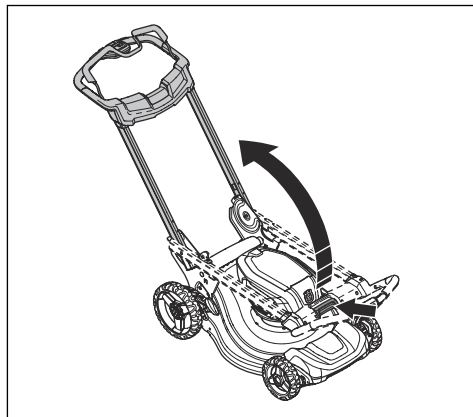
Battery charging status

A Husqvarna Li-ion battery can be charged or used at all charging levels. The battery is not damaged. A fully charged battery will not decrease its charge when the battery is left in the charger.

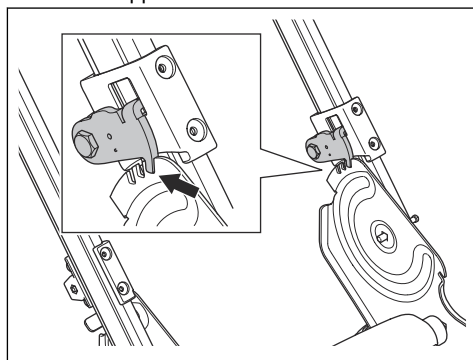
LED display	Charging status
LED 1 flashes	0%-25%
LED 1 is lit, LED 2 flashes	25%-50%
LED 1, LED 2 are lit, LED 3 flashes	50%-75%
LED 1, LED 2, LED 3 are lit, LED 4 flashes	75%-100%
LED 1, LED 2, LED 3, LED 4 are lit	Fully charged

To set the product in operation position

1. Push and hold the release button.



2. Lift the handle to upright position until the latches go into the one of the slots on the handle support.



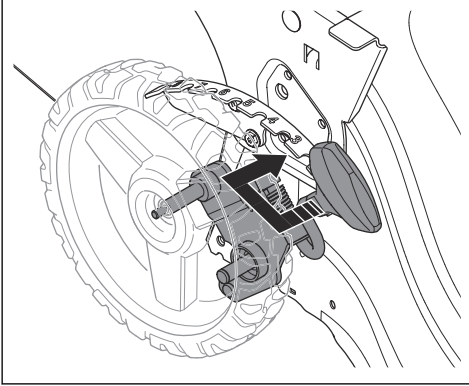
Note: Before use, please make sure that the latch is in the slot of the support plate.

3. Release the handle release button.

To set the cutting height

The cutting height can be adjusted in 7 levels.

1. Move the cutting height lever out and reward to increase the cutting height.



2. Move the cutting height lever out and forward to decrease the cutting height.



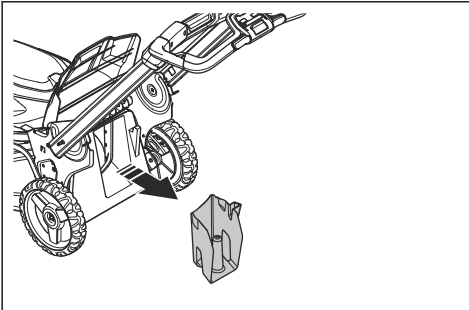
CAUTION: Do not set the cutting height too low. The blades can hit the ground if the surface of the lawn is not flat.

To use the product with the grass catcher



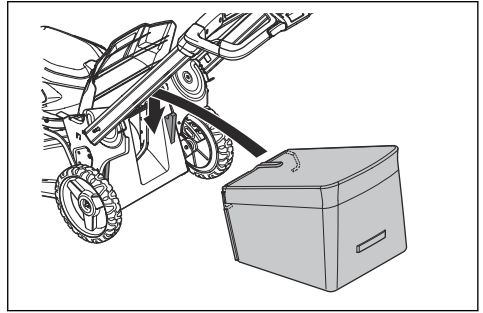
WARNING: Do not operate the product without a grass catcher installed or without the rear cover closed. Objects can eject and cause injury to the operator.

1. Lift the rear cover and remove the mulch plug.



2. Assemble the grass catcher, refer to *To assemble the grass catcher on page 11.*

3. Put the grass catcher on the bracket.

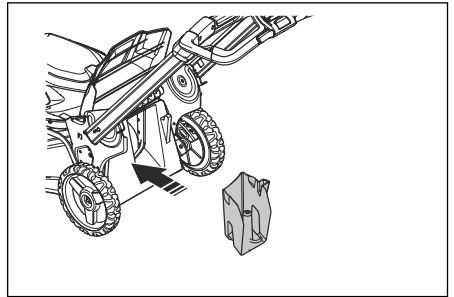


4. Release the rear cover and put it on top of the grass bag frame.

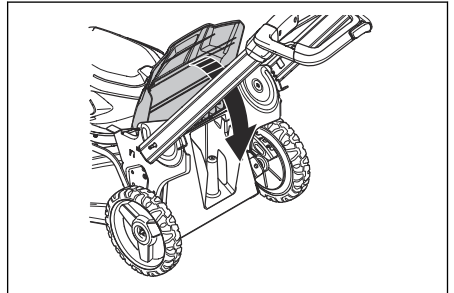
To change the product to mulching mode

The mulching mode of the product makes grass clippings smaller. The grass clippings then fall onto the lawn and scatter across the grass. Mulched grass biodegrades quickly to give nutrients for the lawn.

1. Lift the rear cover and remove the grass bag, if it is installed.
2. Put the mulch plug into the collector channel.

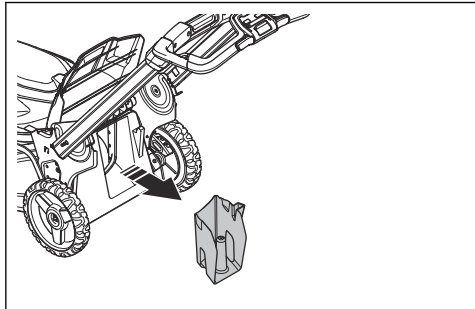


3. Let the rear cover close and make sure it tightly closes against the mulch plug.

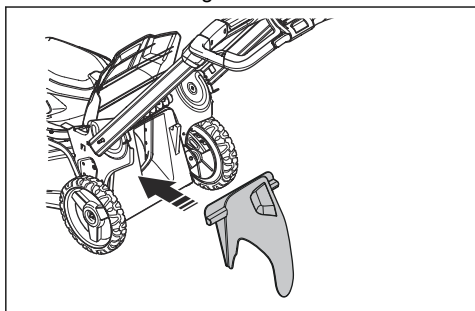


To change the product to rear-side discharge mode

1. Lift the rear cover and remove the mulch plug.



2. Install the discharge chute.



3. Release the rear cover and put it on top of the discharge chute.

To cut grass without a grass catcher or mulch plug attached

- Lift up the rear cover and remove the grass catcher.
- If a mulch plug is attached, remove it.
- Close the rear cover before you operate the product.

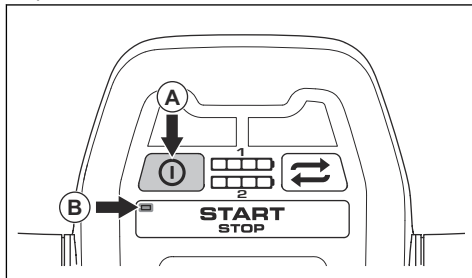
When you operate the product, the cut grass discharges below the rear cover.

To start the product

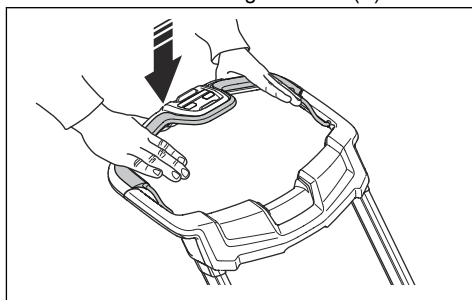
1. Put a charged battery in battery compartment number 1 below the battery cover. For longer operation time, put a second charged battery in battery compartment number 2.
2. Close the battery cover.

Note: Always keep the battery cover closed during operation.

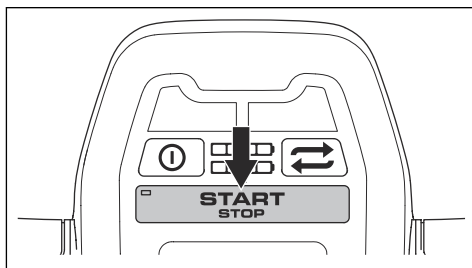
3. Stay behind the product.
4. Push the ON/OFF button (A) on the control panel.



5. Push the motor brake handle in the direction of the handlebar. The green LED (B) flashes.

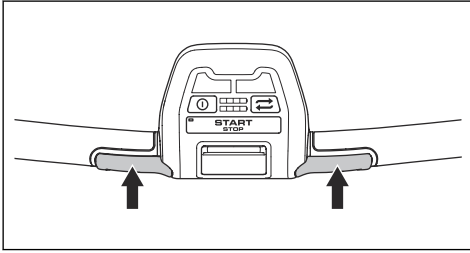


6. Push the blade start/stop button to start the blades.

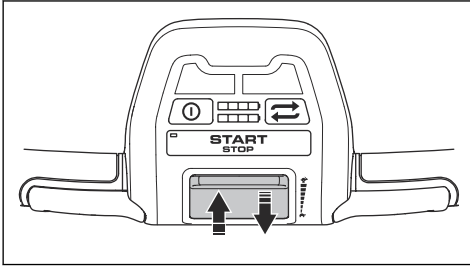


To use the drive on the wheels

1. Push the drive control buttons on the handlebar.



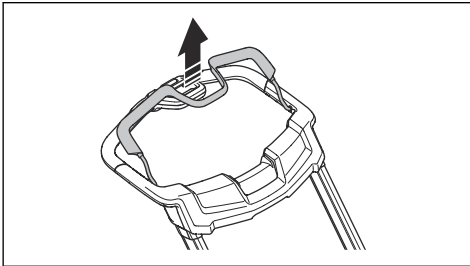
2. Move the drive speed control to set the drive speed. Move the drive speed control down for slower speed. Move the drive speed control up for faster speed.



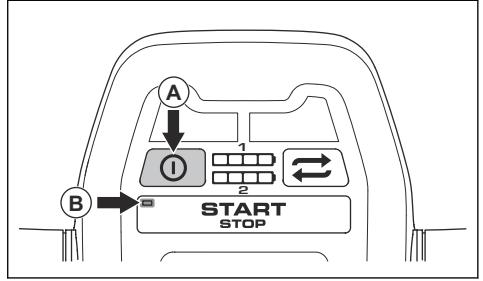
3. Release the drive control buttons to disengage the drive, for example when you go near an obstacle.

To stop the product

1. Release the motor brake handle to stop the motor.

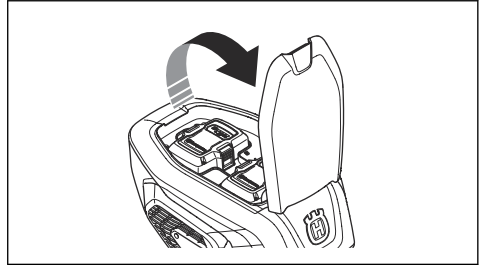


2. Press the ON/OFF button (A) on the control panel and the green LED (B) goes out.

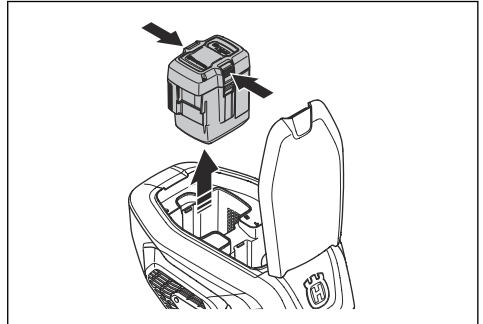


Note: The control panel is automatically set to OFF if you do not operate the product or push buttons for 2 minutes.

3. Open the battery lid.



4. To remove the battery, push the 2 release buttons and pull out the battery.



5. Charge the battery if it is weak. For more information, refer to *To charge the battery on page 13*.

To get a good result

- Always use a sharp blade. A blunt blade gives an irregular result and the cut surface of the grass becomes yellow. A sharp blade also uses less energy than a blunt blade.

- Do not cut more than $\frac{1}{2}$ of the length of the grass. Cut first with the cutting height set high. Examine the result and lower the cutting height to an applicable level. If the grass is very long, drive slowly and cut 2 times if necessary.
- Cut in different directions each time to prevent stripes in the lawn.
- Keep the cutting cover clean. Buildup from grass and dirt on the inner side of the cutting cover can decrease the cutting result. Refer to *To clean the product on page 19*.

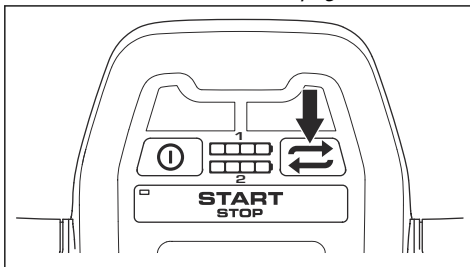
To set the cut mode

The product can be set to a cut mode. You can select between 3 cut modes for the product, refer to *Symbols on the product on page 4*.

Note: When the product is in operation, it is automatically set to Mulching/High quality mode.

Note: When the battery is weak, the product operates in Sensing mode.

1. Start the product, refer to *To start the product on page 15*.
2. Press the cut mode button to change the cut mode, refer to *Cut mode on page 18*.



Cut mode



Sensing



Mulching/High quality ¹



Max power

Grass type	Cut Amount (cm/in)	Operation mode		
		Mulch plug	Discharge chute	Grass catcher
Thin or dry	< 2.54/1.00	Sensing	Sensing	Sensing
	2.54/1.00	Mulching/High Quality	Sensing	Sensing
	3.81/1.50	Mulching/High Quality	Sensing	Mulching/High Quality
	5.08/2.00	Not recommended	Sensing	Mulching/High Quality
	> 5.08/2.00	Not recommended	Mulching/High Quality	Not recommended
Thick or wet	< 2.54/1.00	Sensing	Sensing	Sensing
	2.54/1.00	Mulching/High Quality	Sensing	Mulching/High Quality
	3.81/1.50	Max power	Sensing	Mulching/High Quality
	5.08/2.00	Not recommended	Mulching/High Quality	Mulching/High Quality
	> 5.08/2.00	Not recommended	Max power	Not recommended

Maintenance

Introduction



WARNING: Before you do maintenance, you must read and understand the safety chapter.

availability of professional repairs and servicing. If your dealer is not a service agent, speak to them for information about the nearest service agent.

For all servicing and repair work on the product, special training is necessary. We guarantee the

¹ When the product is in operation, it is automatically set to Mulching/High quality mode.

Maintenance schedule

The maintenance intervals are calculated from daily use of the product. The intervals change if the product is not used daily.

For maintenance identified with * refer to instructions in *Safety on page 6*.

	Each use	Monthly	Each season
Do a general inspection.	X		
Clean the product.	X		
Clean or replace the filter			X
Make sure that the safety devices on the product are not defective. *	X		
Examine the cutting equipment.	X		
Examine the cutting cover *	X		
Do a check of the motor brake handle *	X		
Make sure that the ON/OFF button operates correctly and is not defective.	X		
Examine the battery for damage.	X		
Do a check of the battery charge.	X		
Make sure that the release buttons on the battery operate correctly and that the battery locks into the product.	X		
Examine the battery charger for damage and make sure that it operates correctly.		X	
Examine the connections between the battery and the product. Also examine the connection between the battery and the battery charger.			X

To do a general inspection

- Make sure that the nuts and screws on the product are tightened.
- Make sure that the cables on the product are not in a position where they can get damaged.

To clean the product

- Clean plastic parts with a clean and dry cloth.
- Do not use water to clean the product. Water can enter the battery or the motor and cause short circuit or damage to the product.
- Do not use a high pressure washer to clean the product.
- Do not flush water directly on the motor.
- Use a brush to remove leaves, grass and dirt.

To clean the battery and the battery charger



WARNING: Do not clean the battery or the battery charger with water.



WARNING: Do not use any chemical substances to clean the battery.

- Make sure that the battery and the battery charger are clean and dry before you put the battery into the battery charger.
- Clean the battery terminals with compressed air or use a soft and dry cloth.
- Clean the surfaces of the battery and the battery charger with a soft and dry cloth.

To examine the cutting equipment



WARNING: To prevent accidental start, remove the battery and wait a minimum 5 seconds.



WARNING: Use protective gloves when you do maintenance on the cutting equipment. The blade is sharp and cuts can easily occur.

1. Examine the cutting equipment for damage or cracks. Always replace a damaged cutting equipment.
2. Look at the blade to see if it is damaged or blunt.

Note: It is necessary to balance the blade after it is sharpened. Let a service center sharpen, replace and balance the blade. If you hit an obstacle that causes the product to stop, replace the damaged blade. Let the service center estimate if the blade can be sharpened or must be replaced.

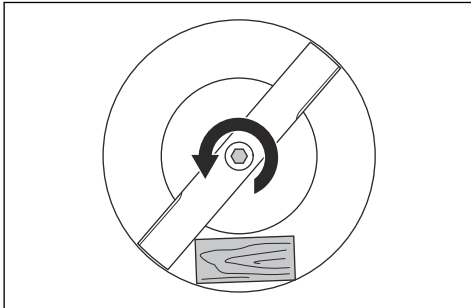
To replace the blade

Refer to *Technical data on page 24* for the correct type of blade.



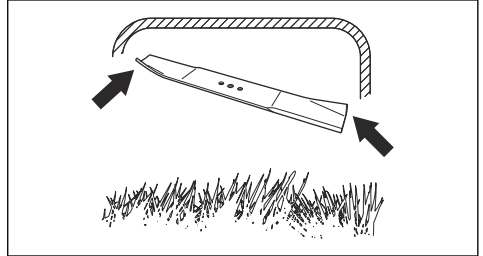
WARNING: Lock the blade with a block of wood to prevent injury to fingers when you replace the blade. The blade can be moved when the motor is off and fingers can become trapped between the blade and stationary parts.

1. Lock the blade with a block of wood.

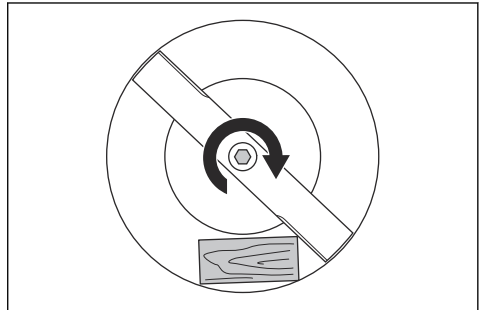


2. Remove the blade bolt.

3. Remove the blade.
4. Examine the blade support and blade bolt to see if there are damages.
5. Examine the motor shaft to make sure that it is not bent.
6. When you attach the new blade, point the angled ends of the blade in the direction of the cutting cover.



7. Make sure that the blade is aligned with the center of the motor shaft.
8. Lock the blade with a block of wood. Attach the spring washer and tighten the bolt and washer with a torque of 48-54 Nm.



9. Pull the blade around by hand and make sure that it turns freely.

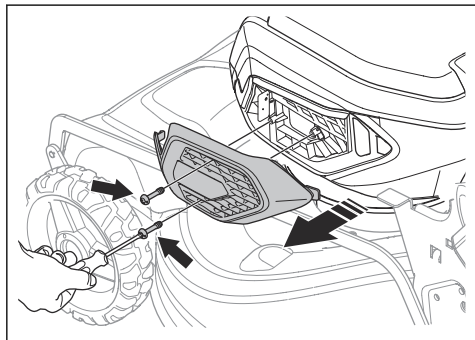


WARNING: Use heavy duty gloves. The blade is very sharp and cuts can easily occur.

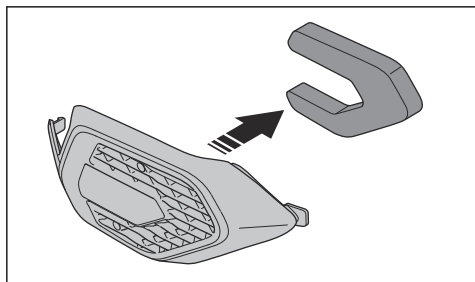
10. Start the product to do a test of the blade. If the blade is not correctly attached, there is vibration in the product or the cutting result is unsatisfactory.

To clean the air filter

1. Remove the screws to remove the air filter cover.



2. Remove the air filter from the air filter cover.



3. Examine the air filter for damages. Replace a damaged air filter.
4. Wash the air filter with a warm soap water solution.



CAUTION: Do not use solvent or compressed air to clean the air filter.

5. Let the air filter dry fully.
6. Install the air filter and air filter cover.

Troubleshooting

Lawn mower

Problem	Cause	Solution
The drive on the wheels does not operate correctly.	The transmission is too hot.	Put the product in a cool area away from open sunlight. Wait at minimum 30 minutes to let the product become cool before you start the product again.

Battery

LED on the battery	Cause	Solution
The green LED flashes.	The battery voltage is low.	Charge the battery. Refer to <i>To charge the battery on page 13</i> .

LED on the battery	Cause	Solution
The error LED flashes.	The battery is weak.	Charge the battery. Refer to <i>To charge the battery on page 13</i> .
	The temperature in the work environment is too high or too low.	Use the battery in temperatures between -10°C and 40°C.
	Overvoltage.	Make sure that the mains voltage is the same as on the rating plate on the product.
Remove the battery from the battery charger. Wait 5 seconds and try again to charge the battery. If the problem continues, speak to an approved service agent.		
The error LED is on.	The cell difference too much (1V).	Speak to an approved service agent.

Battery charger

LED on the battery charger	Cause	Solution
The error LED flashes.	The temperature in the work environment is too high or too low.	Use the battery charger in temperatures between 5°C and 40°C.
The error LED is on.		Speak to an approved service agent.

Control panel

If you cannot find a solution to the problem, speak to your Husqvarna service agent.

Keypad	Possible faults	Possible action
Error LED flashes	The handle is not fully expanded and locked in the operation position.	Fully extend the handle and lock it in the operation position. Refer to <i>To set the product in operation position on page 13</i> . After this step, push the ON/OFF button to make the error LED go out.
	Low battery power.	Charge the battery. Refer to <i>To charge the battery on page 13</i> . After this step, push the ON/OFF button to make the error LED go out.
	There is overload in the motor.	Increase the cutting height. Refer to <i>To set the cutting height on page 13</i> . After this step, push the ON/OFF button to make the error LED go out.
		Remove grass blockage around the blade. Remove the battery and manually remove the grass.
	Battery error or no signal from the battery.	Put the battery in the product correctly. Refer to <i>To start the product on page 15</i> . After this step, push the ON/OFF button to make the error LED go out.
Replace the battery. Refer to <i>To start the product on page 15</i> . After this step, push the ON/OFF button to make the error LED go out.		
Error LED stays on	Servicing or repair of the product is necessary.	Stop the product immediately and speak to your Husqvarna service agent.
High temperature indicator	The motor control is too hot.	Stop the motor and wait until it has become cool.
The product stops	The battery is weak.	Charge the battery. Refer to <i>To charge the battery on page 13</i> .
	The battery connector failure.	Examine the battery connector.

Transportation, storage and disposal

Introduction



WARNING: To prevent accidental start during transport, remove the battery and wait a minimum of 5 seconds.

To set the product in transport position

1. Remove the grass catcher (if installed).

2. Push and hold the handle release button.



3. Fold the handle.

Transportation

- The Dangerous Goods Legislation requirements apply to the contained Li-ion batteries.
- For commercial transports special requirements on package and labels must be obeyed.
- Make sure that you obey the regulations for dangerous material when you prepare the product for transport. Local regulations can apply.
- Always remove the battery for transport.
- Put tape on the battery connectors and make sure that the battery cannot move around during transport.
- Attach the product during transport.

Storage

- Always remove the battery for storage.
- To prevent accidents, make sure that the battery is not connected to the product during storage.

- Keep the battery charger in a closed and dry space.
- Keep the battery and the battery charger in a dry space where there is no moisture or frost.
- Disconnect the battery from the battery charger during storage.
- Do not keep the battery where static electricity can occur. Do not keep the battery in a metal box.
- Keep the battery where the temperature is between 5°C and 25°C and out of sunlight.
- Keep the battery charger where the temperature is between 5°C and 45°C and out of sunlight.
- Make sure that the battery is charged to 30% - 50% before you put it in storage for long periods.
- Keep the product, battery and battery charger in a locked area out of reach for children and not approved persons.
- Clean the product and do a complete servicing before you put the product in storage for a long time.

Disposal

The product must be submitted to an appropriate recycling station for the recovery of electrical and electronic equipment.

By ensuring that this product is taken care of correctly, you can help to counteract the potential negative impact on the environment and people that can otherwise result through the incorrect waste management of this product. For more detailed information about recycling this product, contact your municipality, your domestic waste service or the shop from where you purchased the product.

Technical data

Technical data

	LE 322R
Cutting motor	
Motor type	BLDC (brushless) 36V
Motor speed – Sensing mode, rpm	2600-2900

	LE 322R
Motor speed – Mulching / high quality mode, rpm	3000-3300
Motor speed – Maximum power mode, rpm	3400
Motor output – max. kW (HP)	2.1 (2.9)
Motor output – Nominal, kW (HP)	1.25 (1.7)
Overcurrent limit – 1 battery, (Current limit: 900W-35A)	45A (+/-) 1A
Overcurrent limit – 2 batteries, (Current limit: 900W-35A)	75A (+/-) 1A
Drive motor	
Motor output – Nominal, kW (HP)	0.2-0.4 (0.27-0.55)
Self walk speed, km/h (mph)	0–6.4 (0-4)
Speed adjustment levels	9
Weight	
Weight without battery (Grass catcher included), kg (lb)	34.3 (75.6)
Battery ²	
Type of battery	Husqvarna Battery Series
Battery runtime	
Battery runtime, max, (free run) with Sensing mode activated, with two Husqvarna 7.5 Ah batteries (BLi30).	75
Cutting	
Cutting height, in / cm	1.3-4.5 / 3.3-11.4
Cutting width, in / cm	20.2 / 51.3
Blade	Mulch 5375821-41
Bagger capacity, litre	65

Approved batteries	Type	Battery capacity, Ah	Voltage, V	Weight, lb/kg
BLi30	Lithium-ion	7.8	36	4.2/1.9
BLi22	Lithium-ion	4.0	36	2.65/1.2

² For best results and performance the Husqvarna battery BLi30 is recommended.

Approved chargers for the specified batteries, BLi	Input voltage, V	Frequency, Hz	Power, W
40-C80	100-240	50-60	80
QC250	100-240	50-60	250

Distributor

Husqvarna Professional Products, Inc.

Charlotte, NC 28269

Support / Help

If you require assistance or have questions concerning the application, operation, maintenance or parts for your product:

- Visit our website: www.husqvarna.com
- Call Us Toll Free: 1-800-487-5951

Contenido

Introducción.....	27	Mantenimiento.....	44
Seguridad.....	31	Solución de problemas.....	48
Montaje.....	36	Transporte, almacenamiento y eliminación de residuos.....	50
Funcionamiento.....	37	Datos técnicos.....	51

Introducción

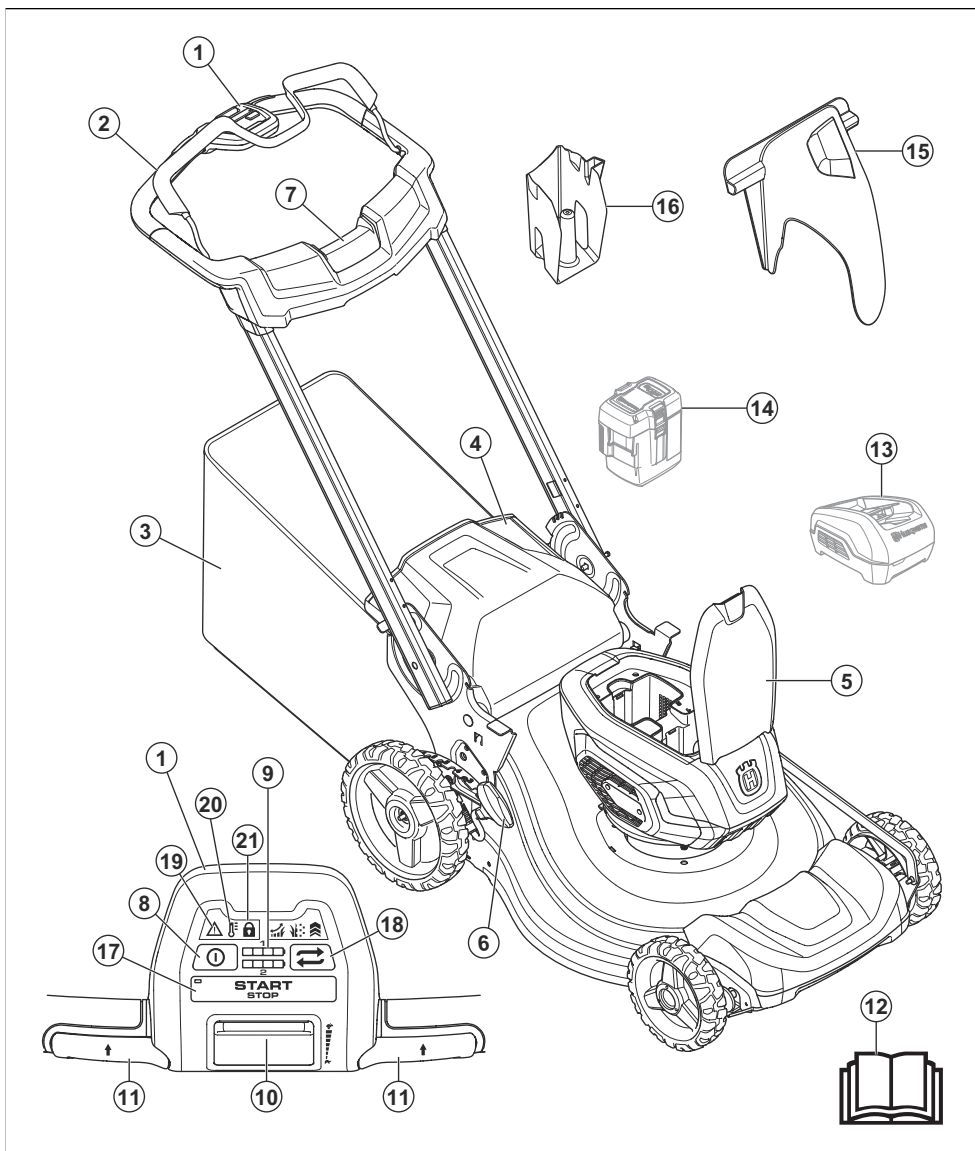
Descripción del producto

El producto es un cortacésped motocultor giratorio. El césped se acumula en un recogedor de césped. Quite el recogedor de césped para obtener la descarga de césped o acoplar una cuchilla de trituración para cortar el césped y transformarlo en abono.

Uso previsto

Utilice el producto para cortar césped. No utilice el producto para otras tareas.

Descripción general del producto



1. Panel de control
2. Palanca de freno del motor
3. Recogedor de césped
4. Tapa trasera
5. Cubierta de la batería

6. Control de altura de corte
7. Botón de liberación del mango
8. Botón ON/OFF
9. Indicador de carga de la batería
10. Control de ajuste de la velocidad

11. Botón de control de transmisión
12. Manual del usuario
13. Cargador de batería, incluido solo en el kit
14. Batería 2X, incluida solo en el kit
15. Conducto de expulsión
16. Conector del mantillo
17. Botón start/stop de cuchilla
18. Botón de modo de corte
19. Parpadeo de error
20. Indicador de temperatura alta
21. Indicador de cuchilla bloqueada



El uso del producto en una pendiente puede ser peligroso.



Mantenga las manos y los pies alejados de las piezas giratorias.



No exponga a la lluvia

Símbolos en el producto



Este producto puede ser peligroso y provocar daños graves o fatales al operador o a otras personas. Tenga cuidado y utilice el producto correctamente.



Lea atentamente el manual de instrucciones y asegúrese de que entiende las instrucciones antes de usar el producto.



Mantenga a las personas y animales a una distancia de seguridad del área de trabajo.



Use protección auricular aprobada.



Tenga cuidado con los objetos que puedan salir despedidos o producir algún impacto por efectos de rebote.



Mantenga las manos y los pies alejados de las cuchillas giratorias.



Tenga cuidado al operar el producto hacia atrás. Mire hacia atrás y hacia abajo para ver si hay niños pequeños, animales u otros riesgos que puedan hacerlo caer.



Suelte la palanca de freno del motor para detener la máquina.



Lento



Rápido



Código escaneable.



Modo de corte.



Modo 1: detección.



Modo 2: trituración/alta calidad.



Modo 3: potencia máxima.

Tenga en cuenta: Otros símbolos o etiquetas en el producto hacen referencia

a requisitos de certificación para algunos mercados.

Etiquetas de advertencia



AVOID SERIOUS INJURY OR DEATH

- Read the operator's manual. Go across slopes, not up and down. Do not mow when children or others are around.
- Look down and behind before and while moving. Remove objects that could be thrown by the blade.
- Keep safety devices (guards, shields, switches, etc.) in place and working.
- To reduce risk of electric shock, do not expose unit to water or operate unit on wet ground.
- Remove the batteries before opening, cleaning or changing accessories.
- To reduce the risk of injury, do not operate without guards in place.
- To reduce the risk of injury, inspect catcher assembly frequently and replace with recommended replacement if there are signs of wear or deterioration. Keep hands and feet away – rotating blade hazard. Keep bystanders and children away.
- Remove battery pack when not in use.
- For use only with Husqvarna BLi22 or BLi30 battery.

DANGER DE BLESSURES GRAVES OU MORTELLES

- Lisez attentivement le manuel d'utilisation, Tondez dans pentes et les talus en diagonale, et non à la verticale, N'utilisez pas la tondeuse à proximité d'enfants ou autres personnes.
- Scrutez attentivement le sol si vous devez reculer avec la machine et débarrassez la zone de travail de tout objet risquant d'être projeté.
- Assurez-vous que les dispositifs de sécurité (protections, écrans, interrupteurs, etc.) sont bien en place et fonctionnels.
- Pour diminuer les risques de choc électrique, ne mouillez pas l'appareil ou ne l'utilisez pas sur un sol humide,
- Débranchez le circuit d'alimentation avant de l'ouvrir, de le nettoyer ou de changer les accessoires,
- Afin de réduire le risque de blessures, n'utilisez pas la machine si les dispositifs de protection ne sont pas en place
- Afin de réduire le risque de blessures, inspectez régulièrement l'ensemble trémie de collecte/bac à herbe et remplacez les pièces usées par des pièces recommandées. Il y a un risque de mutilation des doigts ou des orteils. Gardez les enfants et les autres personnes à distance.
- Retirez le bloc-piles lorsque l'outil est inutilisé.
- Pour usage seulement avec batterie Husqvarna BLi22 ou BLi30.

Fabricante

Husqvarna Professional Products, Inc.

9335 Harris Corners Pkwy, Charlotte, NC 28269, USA

Responsabilidad del fabricante

Como se menciona en las leyes de responsabilidad del fabricante, no nos hacemos responsables de los daños que cause nuestro producto si:

- el producto se repara incorrectamente
- el producto se repara con piezas que no son del fabricante o que este no autoriza
- el producto tiene un accesorio que no es del fabricante o que este no autoriza
- el producto no se repara en un centro de servicio autorizado o por una autoridad aprobada.

Seguridad

Definiciones de seguridad

Las advertencias, precauciones y notas se utilizan para señalar las piezas particularmente importantes del manual.



ADVERTENCIA: Se utilizan para señalar el riesgo de lesiones graves o mortales para el operador o para aquellos que se encuentren cerca si

no se siguen las instrucciones del manual.



AVISO: Se utilizan para señalar el riesgo de dañar la máquina, otros materiales o el área adyacente si no se siguen las instrucciones del manual.

Tenga en cuenta: Se utilizan para entregar más información necesaria en situaciones particulares.

Instrucciones de seguridad



ADVERTENCIA: Para evitar sacudidas eléctricas y daños personales cuando se utilizan cortacéspedes eléctricos, tenga siempre en cuenta precauciones de seguridad básicas, incluidas las siguientes:

- Lea todas las instrucciones.
- Evite entornos peligrosos. No utilice el producto en lugares húmedos o mojados.
- No utilice el producto bajo la lluvia.
- Mantenga a los niños alejados. Todos los visitantes deben mantenerse a una distancia segura del área de trabajo.
- Vístase adecuadamente. No utilice ropa suelta o joyas que puedan quedar atrapadas en las piezas móviles. Utilice guantes de goma y calzado cuando trabaje en el exterior.
- Utilice gafas de seguridad. Utilice siempre protección facial o una máscara contra polvo si la operación genera polvo.
- Utilice el producto únicamente para realizar el trabajo para el que está destinado.
- No fuerce el producto. Obtendrá resultados mejores y más seguros si lo utiliza a la velocidad para la cual fue diseñado.
- No se estire demasiado. Mantenga una posición y un equilibrio adecuados en todo momento.
- Manténgase alerta. Tenga cuidado con lo que está haciendo. Actúe con sentido común. No utilice el producto si está cansado.
- Cuando no esté en uso, el producto se debe almacenar en un lugar bajo techo, seco y con llave, fuera del alcance de los niños.
- Mantenga el producto con cuidado. Mantenga los bordes cortantes afilados y limpios para obtener un rendimiento óptimo y más seguro. Siga las instrucciones de lubricación y cambio de accesorios. Mantenga los mangos secos, limpios y sin grasa ni aceite.
- Mantenga las protecciones en su sitio y en buen estado.
- Mantenga las cuchillas afiladas.
- Mantenga las manos y los pies alejados de la zona de corte.
- Los objetos que salen despedidos por la cuchilla del cortacésped pueden provocar daños graves a las personas. Antes de realizar cada corte, examine minuciosamente el césped y retire todos los objetos.
- Si se golpea algún objeto extraño o si se producen vibraciones, siga estas instrucciones: Apague el motor y retire la batería. Inspeccione el producto en busca de daños. Repare cualquier daño o comuníquese con un taller de servicio autorizado.
- Utilice solo cuchillas de repuesto idénticas.
- La máquina puede ser una herramienta peligrosa si se usa incorrectamente o se manipula sin precaución, lo que puede causar lesiones graves o mortales para el operador u otras personas.
- Tenga en cuenta que el operador es responsable de los accidentes o los peligros que ocurren a otras personas o sus propiedades.
- El producto se debe mantener limpio. Los avisos y los autoadhesivos deben ser perfectamente legibles.
- No es posible abordar todas las situaciones posibles que puede afrontar. Siempre tenga cuidado y use su sentido común. Si entra en una situación en la que se sienta inseguro, deténgase y busque el asesoramiento de expertos. Póngase en contacto con el distribuidor, el agente de servicio o un usuario experimentado. No intente realizar ninguna tarea en la cual se sienta inseguro.
- No deje que un niño utilice el producto.
- No permita que una persona que no conozca las instrucciones utilice el producto.
- Siempre esté pendiente de una persona que utilice el producto si es que tiene capacidades físicas o mentales reducidas. Un adulto responsable debe estar siempre allí.
- Nunca utilice el producto si está cansado, bajo la influencia del alcohol o las drogas, medicamentos o cualquier cosa que pudiera afectar su visión, atención, coordinación o criterio.
- Las modificaciones o los accesorios no autorizados pueden provocar graves lesiones o incluso la muerte al usuario u otras personas. Bajo ninguna circunstancia se

puede modificar el diseño del producto sin autorización del fabricante.

- No modifique este producto ni lo utilice si parece haber sido modificado por otros.
- Nunca utilice un producto que esté defectuoso. Realice las comprobaciones de seguridad, el mantenimiento y las instrucciones de servicio descritas en este manual. Especialistas capacitados y calificados deben llevar a cabo algunas medidas de mantenimiento y servicio. Consulte las instrucciones en la sección *Instrucciones de seguridad para el mantenimiento en la página 36*.
- Siempre utilice accesorios originales.

Seguridad en el área de trabajo

- Retire las ramas, palos, piedras y otros objetos del césped antes de empezar a cortar.
- Mantenga a las personas, incluidos los niños, y a los animales a una distancia segura del área de trabajo.
- Los objetos que se golpean contra el equipo de corte podrían salir expulsados y causar daños a personas y objetos.
- No utilice el producto en condiciones climáticas desfavorables, incluida la niebla, lluvia y humedad o en lugares con humedad, fuertes vientos, frío intenso y con riesgo de relámpagos. Trabajar en condiciones climáticas desfavorables puede causar fatiga y provocar condiciones peligrosas, como superficies resbaladizas.
- Examine la zona de trabajo para asegurarse de que no haya nada que pueda causar la pérdida de control del producto.
- Tenga cuidado con raíces, piedras, ramas, fosos y zanjas. El césped muy alto puede ocultar obstáculos.
- No utilice el producto en pendientes con más de 15 grados de inclinación.
- Utilice el producto a lo largo de las pendientes. No lo utilice subiendo y bajando la pendiente.
- Tenga cuidado al pasar cerca de esquinas ocultas y objetos que puedan obstaculizar la visión.

Seguridad en el trabajo



ADVERTENCIA: Lea atentamente las instrucciones de advertencia siguientes antes de usar el producto.

- Utilice este producto solamente para cortar césped. No se permite el uso en otras tareas.
- Utilice el equipo de protección personal. Consulte *Equipo de protección personal en la página 34*.
- No utilice el producto en condiciones húmedas o con lluvia. El riesgo de sacudida eléctrica aumenta si ingresa agua al producto.
- No utilice el producto a menos que la cuchilla y todas las cubiertas estén fijadas correctamente. Si la cuchilla está fijada de manera incorrecta, podría soltarse y causar daños personales.
- Asegúrese de que la cuchilla no golpee objetos, como piedras y raíces. Esto puede causar daños a la cuchilla y doblar el eje del motor. Si el eje se dobla, se producirán vibraciones excesivas y habrá un riesgo muy alto de que la cuchilla se afloje.
- Si la cuchilla golpea un objeto o si se producen vibraciones, detenga el producto de inmediato. Detenga el motor, gire la llave de seguridad a la posición "0" y retire la batería. Examine el producto en busca de daños. Repare los daños o solicite a un taller de servicio autorizado que realice la reparación.
- Nunca fije la palanca de freno del motor de forma permanente al mango cuando el motor se ponga en marcha.
- Coloque el producto en una superficie plana y estable, y póngalo en marcha. Asegúrese de que la cuchilla no golpee el suelo u otros objetos.
- Siempre manténgase detrás del producto cuando lo use.
- Haga que todas las ruedas permanezcan sobre el suelo y mantenga las dos manos en el mango cuando utilice el producto. Mantenga las manos y los pies alejados de las cuchillas giratorias.
- No incline el producto cuando el motor esté en marcha.
- Tenga cuidado cuando tire el producto hacia atrás.

- Nunca levante el producto cuando el motor esté en marcha. Si debe levantar el producto, primero detenga el motor y retire la batería.
- No camine hacia atrás cuando utilice el producto.
- Detenga el motor cuando se desplace en áreas sin césped, por ejemplo, en caminos de grava, piedra y asfalto.
- No corra con el producto cuando el motor esté en marcha. Siempre camine cuando utilice el producto.
- Detenga el motor antes de cambiar la altura de corte. Nunca haga ajustes con el motor en marcha.
- No deje el producto desatendido con el motor en marcha. Detenga el motor y asegúrese de que el equipo de corte no gire.

Instrucciones de seguridad para el funcionamiento

Equipo de protección personal



ADVERTENCIA: Lea atentamente las instrucciones de advertencia siguientes antes de usar el producto.

- El equipo de protección personal no puede impedir el riesgo de lesiones, pero disminuirá el grado de lesión si ocurre un accidente. Permita que su distribuidor le ayude seleccionar el equipo adecuado.
- Utilice protectores auriculares si el nivel de ruido es superior a 85 dB.
- Utilice botas o zapatos antideslizantes resistentes. No utilice zapatos abiertos ni trabaje con los pies descalzos.
- Utilice pantalones largos y gruesos.
- Utilice guantes protectores cuando sea necesario, por ejemplo, cuando fije, examine o limpie el equipo de corte.

Dispositivos de seguridad en el producto



ADVERTENCIA: Lea atentamente las instrucciones de advertencia siguientes antes de usar el producto.

- No utilice un producto con dispositivos de seguridad dañados o que no funcionen correctamente.
- Revise los dispositivos de seguridad de forma regular. Si los dispositivos de seguridad están

dañados o no funcionan correctamente, hable con su agente de servicio de Husqvarna.

- No realice modificaciones en los dispositivos de seguridad.

Para comprobar la cubierta de corte

La cubierta de corte reduce las vibraciones del producto y el riesgo de lesiones ocasionadas por la cuchilla.

- Examine la cubierta de corte para asegurarse de que no haya daños, por ejemplo, grietas.

Recogedor de césped

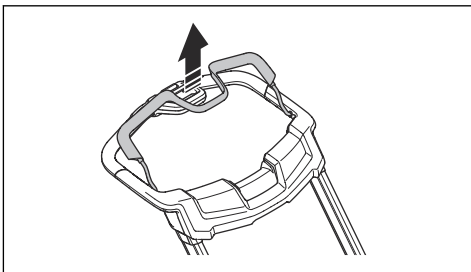
El recogedor de césped evita que la cuchilla giratoria dañe al operador. El recogedor de césped se desgasta durante el funcionamiento del producto. Examine regularmente el recogedor de césped y cámbielo si tiene daños.

Reemplácelo solo con un recogedor de césped aprobado por el fabricante.

Palanca de freno del motor

La palanca de freno del motor detiene el motor. Cuando se suelta la palanca de freno del motor, el motor se detiene.

Para realizar una inspección del freno del motor, arranque el motor y luego suelte la palanca de freno del motor. Si el motor no se detiene en 3 segundos, solicite a un taller de servicio Husqvarna autorizado que ajuste el freno del motor.



Seguridad de la batería y del cargador de batería

Lea el manual de usuario de la batería y el cargador de batería, y asegúrese de entender las instrucciones antes de usar el producto.



ADVERTENCIA: Lea atentamente las instrucciones de advertencia siguientes antes de usar el producto.

- Utilice baterías recargables Husqvarna como fuente de alimentación solo en otros productos Husqvarna relacionados. Para evitar daños, no utilice la batería como fuente de alimentación en otros dispositivos.
- No utilice baterías no recargables.
- Riesgo de sacudida eléctrica. No conecte los terminales de la batería a llaves, monedas, tornillos u otros objetos metálicos. Esto puede provocar un cortocircuito de la batería.
- Manipule las baterías con cuidado para no provocar un cortocircuito con materiales conductores, como anillos, brazaletes y llaves. La batería o el conductor pueden recalentarse y causar quemaduras.
- No introduzca objetos en las ranuras de aire de la batería.
- No exponga una batería ni un aparato al fuego o a una temperatura excesiva. La exposición al fuego o una temperatura superior a 130 °C/265 °F puede causar una explosión.
- Mantenga la batería alejada de la luz solar, del calor o de llamas. La batería puede explotar y causar quemaduras o quemaduras químicas.
- Mantenga la batería alejada de condiciones húmedas y de la lluvia.
- Mantenga la batería alejada de microondas y de alta presión.
- No intente desarmar o romper la batería.
- No abra ni corte la batería. El electrodo que sale es corrosivo y puede provocar daños a los ojos o la piel. Es tóxico si se ingiere.
- Si se produce una filtración en la batería, no permita que el líquido entre en contacto con la piel o los ojos. Si toca el líquido, limpie el área con agua abundante y solicite asistencia médica.
- Utilice la batería en temperaturas de entre -10 °C y 40 °C.
- No limpie con agua la batería o el cargador de batería. Consulte *Para limpiar la batería y el cargador de batería en la página 45.*
- No utilice una batería dañada o defectuosa.

- Almacene las baterías lejos de objetos metálicos, como clavos, monedas o joyas.

Cargador de la batería

Los cargadores de batería QC se utilizan solamente para la carga de Husqvarna baterías de reemplazo.

- Minimice el riesgo de sacudidas eléctricas o cortocircuito como se indica a continuación: No inserte ningún objeto en las ranuras de enfriamiento del cargador. No intente desmontar el cargador de batería. Nunca conecte los terminales del cargador a objetos metálicos. Utilice enchufes de pared aprobados y en buen estado.
- Esta máquina produce un campo electromagnético durante el funcionamiento. Este campo puede, en determinadas circunstancias, interferir en implantes médicos activos o pasivos. Para reducir el riesgo de lesiones graves o mortales, recomendamos a las personas con implantes médicos consultar a su médico y al fabricante del implante médico antes de usar esta máquina.
- Compruebe con regularidad que el cable de conexión del cargador de la batería esté intacto y que no tenga roturas.
- Nunca utilice el cable para transportar el cargador de la batería ni tampoco desconecte el enchufe jalando el cable.
- Mantenga todos los cables y extensiones alejados del agua, aceite y bordes afilados. Asegúrese de que el cable no quede atrapado en puertas, cercos ni elementos similares. De lo contrario, puede provocar la electrificación del cargador.
- Nunca limpie con agua la batería o el cargador de la batería.
- El cargador de la batería puede ser utilizado por niños de 8 años y más, y por personas con capacidades físicas, sensoriales o cognitivas reducidas, o que no tengan el conocimiento o la experiencia si se les supervisa o da instrucciones en relación con el uso del aparato de manera segura y si comprenden los peligros involucrados. Los niños no deben jugar con el aparato. La limpieza y el mantenimiento por parte del usuario no debe hacerlo un niño sin supervisión.
- No cargue baterías no recargables en el cargador.

- No utilice el cargador cerca de materiales inflamables o corrosivos. No cubra el cargador. Desconecte el cargador del enchufe en caso de incendio o humo.
- No utilice baterías o cargadores defectuosos ni dañados.
- Cargue la batería solo en interiores y protegida de la luz directa del sol. Tampoco cargue la batería en condiciones húmedas.

Instrucciones de seguridad para el mantenimiento



ADVERTENCIA: Lea atentamente las instrucciones de advertencia siguientes antes de usar el producto.

- Para evitar el arranque accidental durante el mantenimiento, quite la batería y espere, como mínimo, 5 segundos.
- No los trabajos de mantenimiento correctamente para aumentar la vida útil del producto y reducir el riesgo de accidentes. Solicite a un taller de servicio autorizado que realice las reparaciones profesionales. Póngase en contacto con su servicio más cercano para obtener más información.
- Solo lleve a cabo el mantenimiento indicado en este manual del propietario. Un taller

de servicio autorizado debe realizar el mantenimiento restante.

- Utilice guantes resistentes cuando utilice el equipo de corte. La hoja está afilada y se pueden producir cortes con mucha facilidad.
- Mantenga los bordes cortantes afilados y limpios para obtener un rendimiento óptimo y más seguro.
- Permita que su taller de servicio examine regularmente el producto y realice los ajustes y reparaciones necesarios.
- Cambie las piezas dañadas, desgastadas o rotas.
- Siga las instrucciones sobre cómo cambiar accesorios. Utilice solo accesorios del fabricante.
- Cuando no esté en funcionamiento, mantenga el producto, la batería y el cargador de batería aparte en un lugar bajo techo, seco y con llave. Asegúrese de que niños y personas no autorizadas no puedan acceder al producto, la batería o el cargador de batería.

GUARDE ESTAS INSTRUCCIONES

Montaje

Presentación



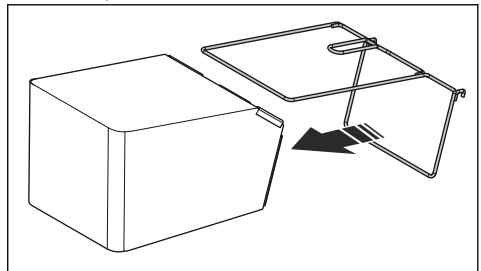
ADVERTENCIA: Antes de montar el producto, lea el capítulo sobre seguridad.



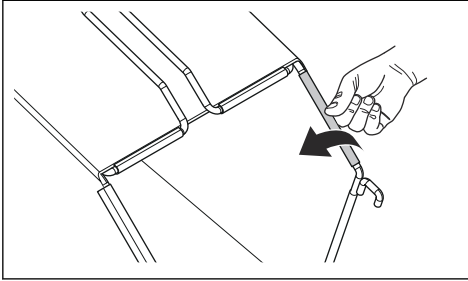
ADVERTENCIA: Para evitar el arranque accidental durante el montaje, quite la batería y espere, como mínimo, 5 segundos.

Para montar el recogedor de césped

1. Instale el bastidor del recogedor de césped en la bolsa para césped con la parte rígida de la bolsa en la parte inferior. Mantenga el mango del bastidor en la parte superior de la bolsa del césped.



2. Fije la bolsa del césped al bastidor del recogedor de césped con los clips.



Funcionamiento

Introducción



ADVERTENCIA: Antes de utilizar el producto, debe leer y entender el capítulo sobre seguridad.

Batería

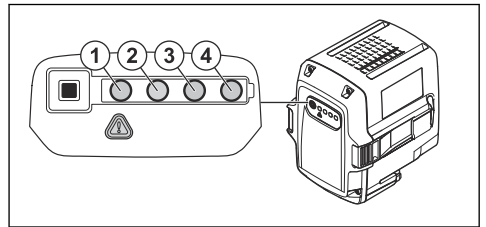


ADVERTENCIA: Antes de utilizar la batería, debe leer y entender el capítulo sobre seguridad. Además, debe leer y entender el manual de usuario de la batería y el cargador de batería.

Estado de la batería

La pantalla muestra la capacidad restante de la batería y cualquier problema que pueda tener

esta. La capacidad de la batería se muestra durante 5 segundos después de soltar la palanca del freno del motor. El símbolo de advertencia de la batería se enciende cuando se produce un error. Consulte *Indicador LED de la batería en la página 37*.



Indicador LED de la batería

La pantalla muestra el estado de carga de la batería e indica si esta presenta problemas.

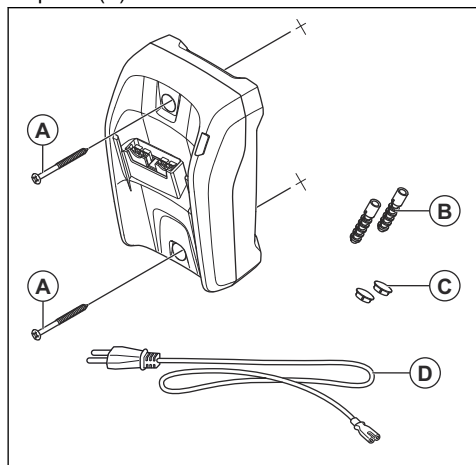
Indicador LED	Estado de la batería (estado de carga)	
	BLi22	BLi30
4 luces LED encendidas	N/A	La batería está entre un 76 % y un 100 % cargada.
3 luces LED encendidas	La batería está entre un 76 % y un 100 % cargada.	La batería está entre un 51 % y un 75 % cargada.
2 luces LED encendidas	La batería está entre un 51 % y un 75 % cargada.	La batería está entre un 26 % y un 50 % cargada.
1 luz LED encendida	La batería está entre un 26 % y un 50 % cargada.	La batería está entre un 6 % y un 25 % cargada.
1 luz LED parpadea	La batería está entre un 0 % y un 25 % cargada.	La batería está entre un 0 % y un 5 % cargada.

Para instalar el cargador de la batería en la pared



AVISO: No utilice un destornillador eléctrico para instalar el cargador de la batería en la pared. Un destornillador eléctrico puede dañar el cargador.

1. Instale el cargador de la batería en la pared con los 2 tornillos (A). Utilice enchufes de pared (B) si es necesario.



2. Instale los 2 tapones para los orificios de los tornillos (C).
3. Conecte el cable de alimentación (D) al cargador de la batería y a una toma de corriente.

Para cargar la batería



AVISO: Asegúrese de que la batería, el cargador de la batería y los terminales de la batería estén limpios y secos. Si la batería está sucia o húmeda, no la coloque en el cargador de baterías.

1. Conecte el cargador de baterías a una toma de corriente. El LED de carga parpadea en rojo 1 vez y en verde 1 vez.



AVISO: Solo conecte el cargador de baterías a una toma de corriente con la tensión y la frecuencia que se especifican en la placa de características.

2. Conecte la batería al cargador. El LED de carga se enciende.
3. Cuando la batería esté completamente cargada, retírela del cargador. Presione el botón del indicador de la batería para ver su estado de carga. Cuando todas las luces LED se enciendan, se indica que la batería está completamente cargada.
4. Tire el enchufe para desconectar el cargador de baterías de la toma de corriente. No tire del cable de alimentación.

Estado de carga de la batería

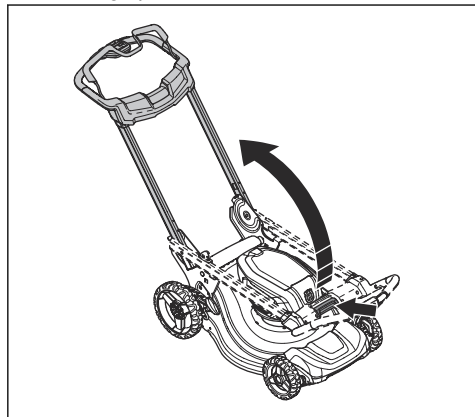
Una batería de iones de litio Husqvarna se puede cargar o utilizar en todos los niveles de

carga. La batería no sufre daños. Una batería completamente cargada no disminuirá su carga cuando se deja en el cargador.

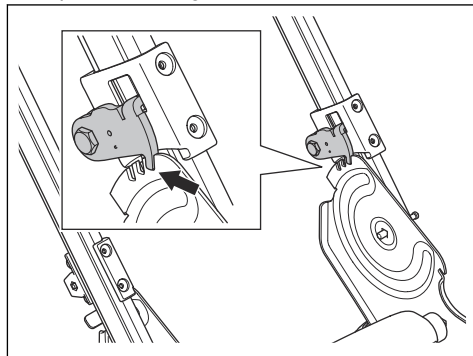
Pantalla LED	Estado de carga
La luz LED 1 parpadea	0 %-25 %
La luz LED 1 está encendida; la luz LED 2 parpadea.	25 %-50 %
Las luces LED 1 y 2 están encendidas; la luz LED 3 parpadea.	50 %-75 %
Las luces LED 1, 2 y 3 están encendidas; la luz LED 4 parpadea.	75 %-100 %
Las LED 1, 2, 3 y 4 están encendidas	Completamente cargada

Para poner el producto en posición de funcionamiento

1. Mantenga presionado el botón de liberación.



2. Levante el mango a la posición vertical hasta que se enganche en una de las ranuras en el soporte del mango.



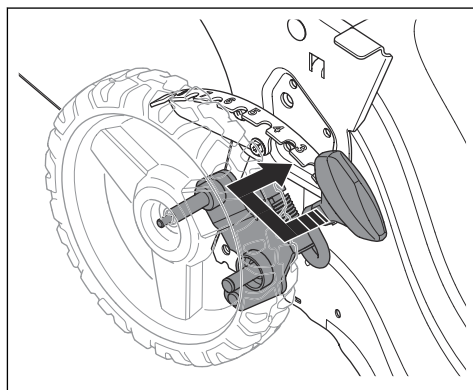
Tenga en cuenta: Antes de utilizarlo, asegúrese de que el pestillo esté en la ranura de la placa de soporte.

3. Suelte el botón de liberación del mango.

Ajuste de la altura de corte

La altura de corte puede ajustarse en 7 niveles.

1. Mueva la palanca de altura de corte hacia afuera y atrás para aumentar la altura de corte.



2. Mueva la palanca de altura de corte hacia adentro y adelante para reducir la altura de corte.



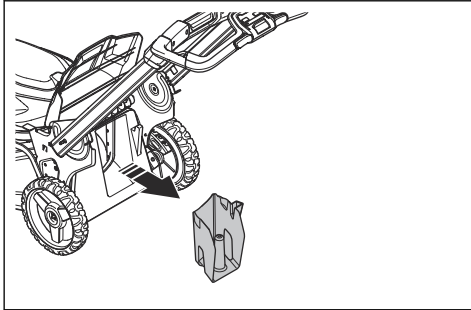
AVISO: No coloque una altura de corte demasiado baja. Las cuchillas pueden golpear el suelo si la superficie de césped no es plana.

Para utilizar el producto con el recogedor de césped

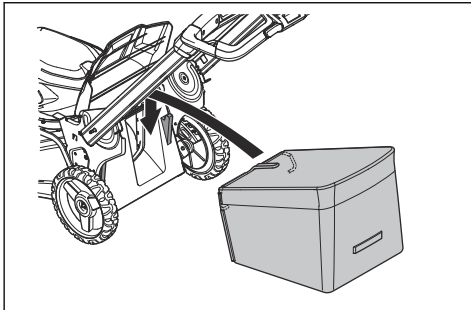


ADVERTENCIA: No haga funcionar el producto sin el recogedor de césped instalado o sin la cubierta trasera cerrada. Pueden salir expulsados objetos que provoquen lesiones al operador.

1. Levante la cubierta trasera y extraiga el conector de mantillo.



2. Monte el recogedor de césped, consulte *Para montar el recogedor de césped en la página 36.*
3. Coloque el recogedor de césped en el soporte.



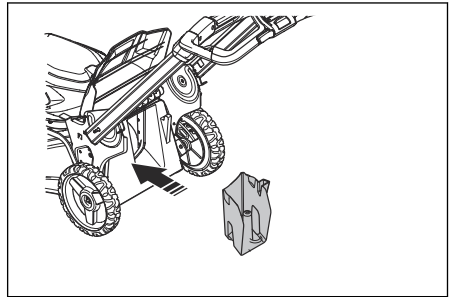
4. Libere la cubierta trasera y póngala encima del bastidor de la bolsa para césped.

Para cambiar el producto a modo de trituración

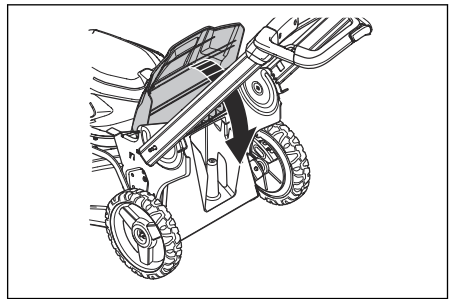
El modo de trituración del producto hace que los recortes de hierba sean más pequeños. De esta forma, los recortes caen sobre el césped y se dispersan sobre él. La hierba triturada

se biodegrada rápidamente para proporcionar nutrientes al césped.

1. Levante la cubierta trasera y retire la bolsa para césped, si está instalada.
2. Instale el conector de mantillo en el canal colector.

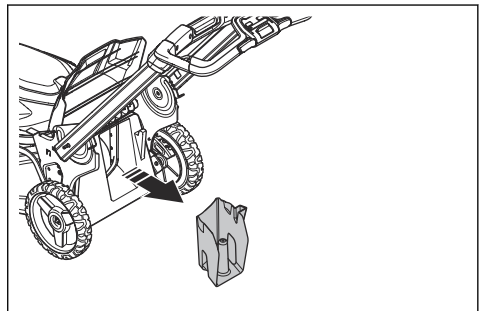


3. Deje que la cubierta trasera se cierre y asegúrese de que esté firmemente cerrada contra el conector de mantillo.

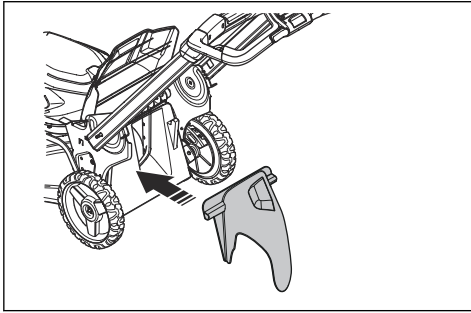


Para cambiar el producto al modo de descarga lateral trasero

1. Levante la cubierta trasera y extraiga el conector de mantillo.



2. Instale el conducto de expulsión.



3. Libere la cubierta trasera y póngala encima del conducto de expulsión.

Para cortar el césped sin un recogedor de césped o tapón de mantillo acoplado

- Levante la cubierta trasera y saque el recogedor de césped.
- Si hay un tapón de mantillo, retírelo.
- Cierre la cubierta trasera antes de usar el producto.

Cuando utiliza el producto, el césped cortado se descarga bajo la cubierta trasera.

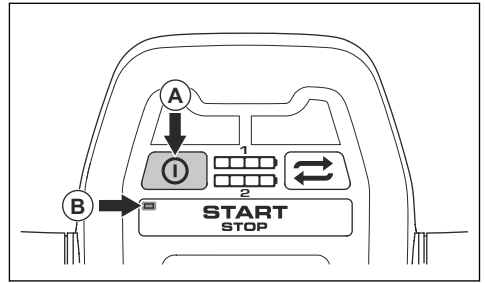
Para poner en marcha el producto

1. Coloque una batería cargada en el compartimento de baterías número 1, por debajo de la tapa de la batería. Para un tiempo de funcionamiento mayor, coloque una segunda batería cargada en el compartimento de baterías número 2.
2. Cierre la cubierta de la batería.

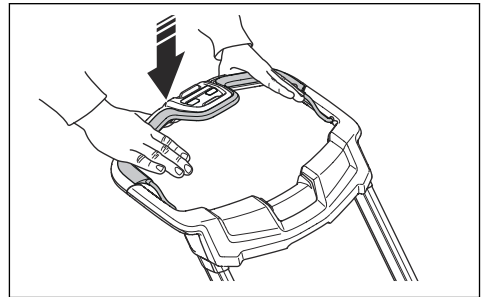
Tenga en cuenta: Mantenga siempre la cubierta de la batería cerrada durante el funcionamiento.

3. Manténgase detrás del producto.

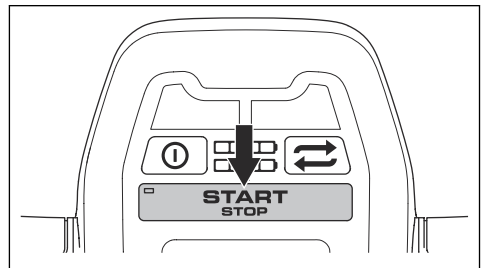
4. Presione el botón ON/OFF (A) del panel de control.



5. Presione la palanca de freno del motor en la dirección del manillar. El LED verde (B) parpadea.

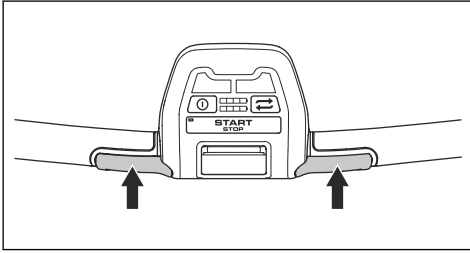


6. Presione el botón start/stop de la cuchilla para encenderlas.

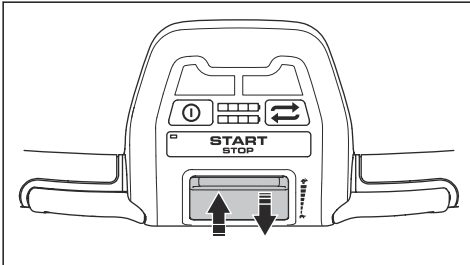


Para usar la transmisión de las ruedas

1. Presione los botones de control de transmisión en el mango.



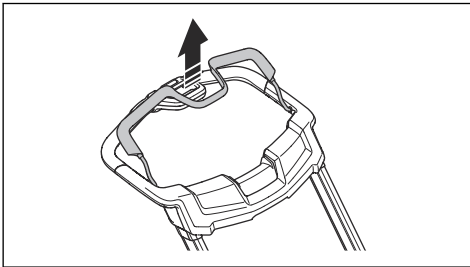
2. Mueva el control de ajuste de velocidad para establecer la velocidad de transmisión. Mueva el control de ajuste de velocidad hacia abajo para establecer una velocidad más baja. Mueva el control de ajuste de velocidad hacia arriba para aplicar una velocidad más alta.



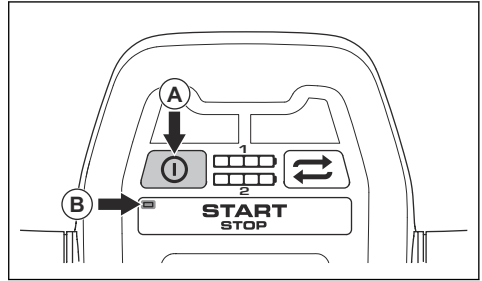
3. Suelte los botones de control de la transmisión para desacoplar la transmisión, por ejemplo, cuando se acerca a un obstáculo.

Para detener el producto

1. Suelte la palanca de freno del motor para detener el motor.

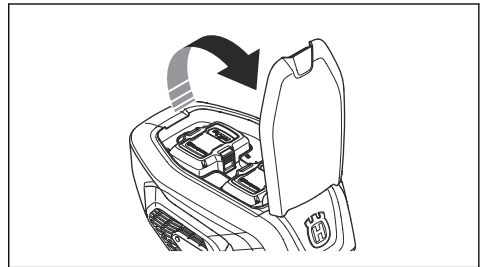


2. Presione el botón de encendido/apagado (A) en el panel de control; el LED verde (B) se apagará.

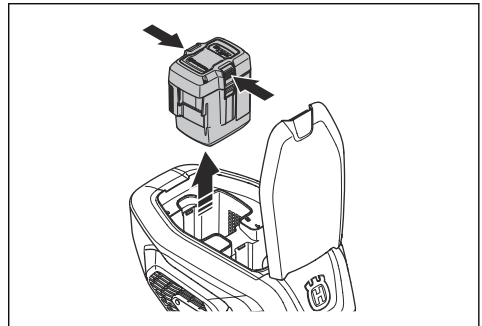


Tenga en cuenta: El panel de control se apaga automáticamente si no opera el producto o si no presiona los botones por dos minutos.

3. Abra la tapa de la batería.



4. Para retirar la batería, presione los dos botones de liberación y extraiga la batería.



5. Cargue la batería si tiene poca carga. Para obtener más información, consulte. *Para cargar la batería en la página 38.*

Para conseguir un buen resultado

- Utilice siempre una cuchilla afilada. Si usa una cuchilla desafilada, obtendrá un resultado irregular y la superficie de corte del césped adquirirá un tono amarillo. Además, con una cuchilla afilada se usa menos energía que con una desafilada.
- No corte más de $\frac{1}{3}$ de la longitud del césped. Corte primero con el ajuste de altura de corte alto. Examine el resultado y baje la altura de corte a un nivel pertinente. Si el césped está demasiado largo, trabaje lentamente y corte dos veces si es necesario.
- Corte en diferentes direcciones cada vez para evitar crear rayas en el césped.
- Mantenga limpia la cubierta de corte. La acumulación de césped y suciedad en el lado interior de la cubierta de corte puede disminuir el resultado del corte. Consulte *Para limpiar el producto en la página 45*.

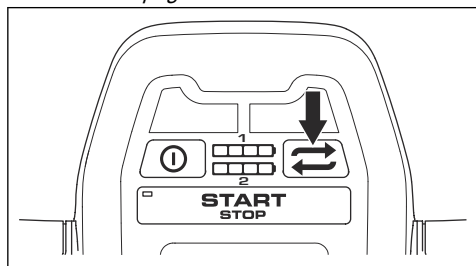
Para establecer el modo de corte

El producto se puede configurar en un modo de corte. Puede seleccionar entre 3 modos de corte para el producto, consulte *Símbolos en el producto en la página 29*.

Tenga en cuenta: Cuando el producto está en funcionamiento, se establece automáticamente en modo de trituración/alta calidad.

Tenga en cuenta: Cuando la batería está débil, el producto funciona en la modo de detección.

1. Arranque el producto, consulte *Para poner en marcha el producto en la página 41*.
2. Presione el botón modo de corte para cambiar el modo de corte; consulte *Modo de corte en la página 44*.





Detección



Trituración/alta calidad ³



Potencia máxima

Tipo de césped	Cantidad de corte (cm/in)	Modo de funcionamiento		
		Conector del man-tillo	Conducto de ex-pulsión	Recogedor de césped
Delgado o seco	<2,54/1,00	Detección	Detección	Detección
	2,54/1,00	Trituración/alta cualidad	Detección	Detección
	3,81/1,50	Trituración/alta cualidad	Detección	Trituración/alta cualidad
	5,08/2,00	No recomendado	Detección	Trituración/alta cualidad
	>5,08/2,00	No recomendado	Trituración/alta cualidad	No recomendado
Gruoso o húmedo	<2,54/1,00	Detección	Detección	Detección
	2,54/1,00	Trituración/alta cualidad	Detección	Trituración/alta cualidad
	3,81/1,50	Potencia máxima	Detección	Trituración/alta cualidad
	5,08/2,00	No recomendado	Trituración/alta cualidad	Trituración/alta cualidad
	>5,08/2,00	No recomendado	Potencia máxima	No recomendado

Mantenimiento

Introducción



ADVERTENCIA: Antes de realizar el mantenimiento, debe leer y entender el capítulo sobre seguridad.

Para todos los trabajos de mantenimiento y reparación del producto, se requiere capacitación especial. Garantizamos la disponibilidad de trabajos de mantenimiento y reparación profesionales. Si el concesionario no cuenta con

³ Cuando el producto está en funcionamiento, se establece automáticamente en modo de trituración/alta calidad.

un taller de servicio, pídale información acerca del taller de servicio más cercano.

Para el mantenimiento que se identifica con *, consulte las instrucciones que se proporcionan en *Seguridad en la página 31*.

Programa de mantenimiento

Los intervalos de mantenimiento se calculan a partir del uso diario del producto. Los intervalos cambian si el producto no se utiliza a diario.

	En cada uso	Una vez al mes	Cada temporada
Realice una inspección general.	X		
Limpie la máquina.	X		
Limpie o reemplace el filtro			X
Asegúrese de que los dispositivos de seguridad del producto no estén defectuosos. *	X		
Examine el equipo de corte.	X		
Examine la cubierta de corte.*	X		
Realice una inspección de la palanca de freno del motor.*	X		
Asegúrese de que el botón ON/OFF funcione correctamente y que no esté defectuoso.	X		
Examine la batería para ver si tiene daños.	X		
Realice una inspección del cargador de batería.	X		
Asegúrese de que los botones de liberación de la batería funcionen correctamente y que la batería se fije en el producto.	X		
Examine el cargador de batería en busca de daños y asegúrese de que funcione correctamente.		X	
Examine las conexiones entre la batería y el producto. Examine también la conexión entre la batería y el cargador de batería.			X

Para hacer una inspección general

- Asegúrese de que las tuercas y los tornillos en el producto estén apretados.
- Asegúrese de que los cables en el producto no estén en una posición donde puedan dañarse.

Para limpiar el producto

- Limpie las piezas de plástico con un paño limpio y seco.
- No utilice agua para limpiar el producto. El agua puede ingresar a la batería o el motor,

y causar un cortocircuito o daños en el producto.

- No use limpiadores de alta presión para limpiar el producto.
- No arroje agua directamente sobre el motor.
- Utilice un cepillo para retirar las hojas, el césped y la suciedad.

Para limpiar la batería y el cargador de batería



ADVERTENCIA: No limpie la batería o el cargador de batería con agua.



ADVERTENCIA: No utilice sustancias químicas para limpiar la batería.

- Asegúrese de que la batería y el cargador de batería estén limpios y secos antes de colocar la batería en el cargador.
- Limpie los terminales de la batería con aire comprimido o utilice un paño suave y seco.
- Limpie las superficies de la batería y el cargador de batería con un paño suave y seco.

Para examinar el equipo de corte



ADVERTENCIA: Para evitar el arranque accidental, quite la batería y espere, como mínimo, 5 segundos.



ADVERTENCIA: Utilice guantes protectores cuando realice tareas de mantenimiento en el equipo de corte. La hoja está afilada y se pueden producir cortes con mucha facilidad.

1. Examine el equipo de corte en busca de daños o grietas. Siempre reemplace un equipo de corte dañado.
2. Revise la cuchilla para ver si está dañada o desafilada.

Tenga en cuenta: Es necesario equilibrar la cuchilla después de afilarla. Solicite a un centro de servicio que afile, reemplace y equilibre la cuchilla. Si golpea un obstáculo que haga que el producto se detenga, reemplace la cuchilla dañada. Solicite al centro de servicio que estime si la cuchilla se puede afilar o si se debe reemplazar.

Para reemplazar la cuchilla

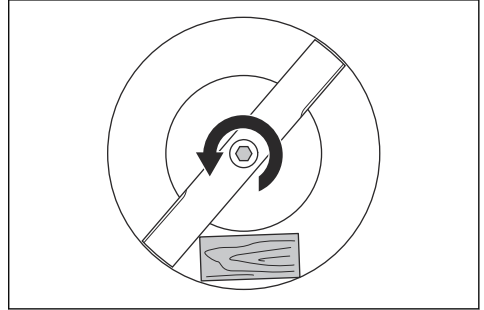
Consulte *Datos técnicos en la página 51* para conocer el tipo de cuchilla correcto.



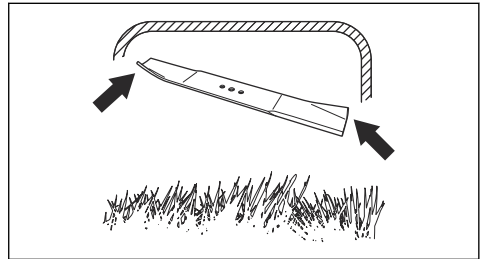
ADVERTENCIA: Bloquee la cuchilla con un bloque de madera para evitar lesiones en los dedos cuando reemplace la cuchilla. La cuchilla se puede mover cuando el motor está apagado y los dedos pueden quedar

atrapados entre la cuchilla y las piezas inmóviles.

1. Bloquee la cuchilla con un bloque de madera.

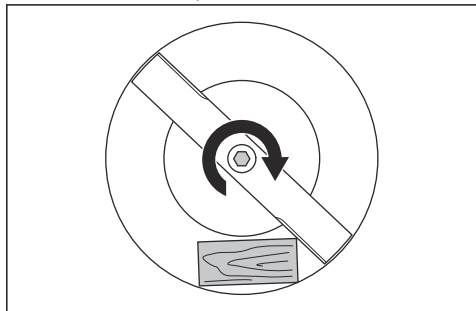


2. Retire el tornillo de la cuchilla.
3. Extraiga la cuchilla.
4. Examine el soporte de la cuchilla y el tornillo de la cuchilla para ver si tienen daños.
5. Examine el eje del motor para asegurarse de que no está doblado.
6. Cuando se conecta la nueva cuchilla, punto los extremos de la cuchilla en la dirección de la cubierta de corte.



7. Asegúrese de que la cuchilla esté alineada con el centro del eje del motor.

8. Bloquee la cuchilla con un bloque de madera. Fije la arandela de resorte y apriete el perno y la arandela a un par de 48-54 Nm.



9. Gire la cuchilla manualmente y asegúrese de que gira sin problemas.

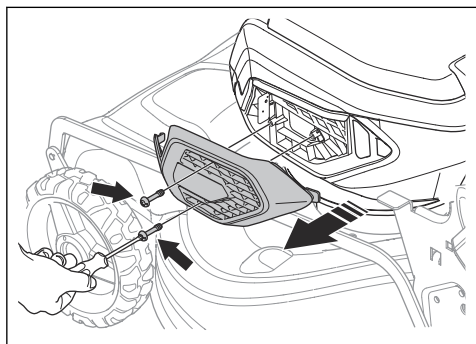


ADVERTENCIA: Utilice guantes resistentes. La hoja está muy afilada y se pueden producir cortes con mucha facilidad.

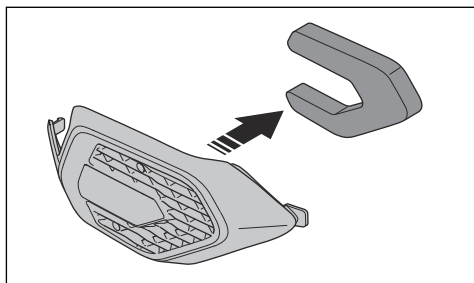
10. Arranque el producto para hacer una prueba de la hoja. Si la cuchilla no se fija correctamente, se producirá vibración en el producto o no obtendrá el resultado de corte deseado.

Para limpiar el filtro de aire

1. Retire los tornillos y retire la cubierta del filtro de aire.



2. Retire el filtro de aire de la cubierta del filtro de aire.



3. Revise si el filtro de aire presenta daños. Reemplace el filtro de aire dañado.
4. Lave el filtro de aire con agua jabonosa tibia.



AVISO: No utilice disolventes ni aire comprimido para limpiar el filtro de aire.

5. Deje que el filtro de aire se seque por completo.
6. Instale el filtro de aire y su cubierta.

Solución de problemas

Cortacésped

Problema	Causa	Solución
La dirección de las ruedas no funciona de manera correcta.	La transmisión está demasiado caliente.	Coloque el producto en un área fresca lejos de la luz solar directa. Espere un mínimo de 30 minutos para que el producto se enfríe antes de volver a arrancar el producto.

Batería

Luz LED de la batería	Causa	Solución
El LED verde parpadea.	La tensión de la batería es baja.	Cargue la batería. Consulte <i>Para cargar la batería en la página 38</i> .
El LED de error parpadea.	La batería tiene poca carga.	Cargue la batería. Consulte <i>Para cargar la batería en la página 38</i> .
	La temperatura en el entorno de trabajo es demasiado alta o demasiado baja.	Utilice la batería en temperaturas de entre -10 °C y 40 °C.
	Sobretensión.	Asegúrese de que la tensión de la red de electricidad sea la misma que se indica en la placa de características del producto. Quite la batería del cargador de la batería. Espere 5 segundos e intente cargar la batería nuevamente. Si el problema persiste, comuníquese con un taller de servicio aprobado.
El LED de error está encendido.	La diferencia de las celdas de la batería es demasiada (1 V).	Comuníquese con un taller de servicio autorizado.

Cargador de la batería

Luz LED del cargador de batería	Causa	Solución
El LED de error parpadea.	La temperatura en el entorno de trabajo es demasiado alta o demasiado baja.	Utilice el cargador de batería en temperaturas de entre 5 °C y 40 °C.
El LED de error está encendido.		Comuníquese con un taller de servicio autorizado.

Panel de control

Si no encuentra una solución al problema, consulte a su Husqvarna agente de servicio.

Teclado	Posibles fallas	Posible medida
La luz LED de error parpadea	El mango de funcionamiento no se expande completamente y está bloqueado en la posición de funcionamiento.	Extienda completamente el mango y bloquéelo en la posición de funcionamiento. Consulte <i>Para poner el producto en posición de funcionamiento en la página 39</i> . Después de este paso, presione el botón ON/OFF para que el LED de error se apague.
	Batería baja.	Cargue la batería. Consulte <i>Para cargar la batería en la página 38</i> . Después de este paso, presione el botón ON/OFF para que el LED de error se apague.
	Hay sobrecarga en el motor.	Aumente la altura de corte. Consulte <i>Ajuste de la altura de corte en la página 39</i> . Después de este paso, presione el botón ON/OFF para que el LED de error se apague.
		Quite el bloqueo de césped alrededor de la hoja. Quite la batería y extraiga el césped manualmente.
Hay un error de la batería o no hay señal de la batería.	Coloque la batería correctamente en el producto. Consulte <i>Para poner en marcha el producto en la página 41</i> . Después de este paso, presione el botón ON/OFF para que el LED de error se apague.	
	Cambie la batería. Consulte <i>Para poner en marcha el producto en la página 41</i> . Después de este paso, presione el botón ON/OFF para que el LED de error se apague.	

Teclado	Posibles fallas	Posible medida
El LED rojo de error se mantiene encendido	Es necesario realizar el mantenimiento o la reparación del producto.	Detenga el producto inmediatamente y comuníquese con su Husqvarna agente de servicio.
Indicador de temperatura alta	El control del motor está demasiado caliente.	Detenga el motor y espere hasta que se enfríe.
El producto se detiene	La batería tiene poca carga.	Cargue la batería. Consulte <i>Para cargar la batería en la página 38</i> .
	Falla del conector de la batería.	Examine el conector de la batería.

Transporte, almacenamiento y eliminación de residuos

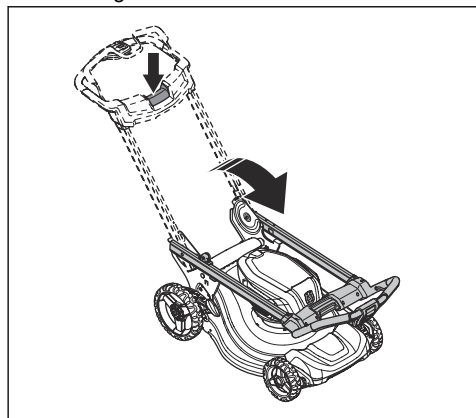
Presentación



ADVERTENCIA: Para evitar el arranque accidental durante el transporte, quite la batería y espere, como mínimo, 5 segundos.

Para poner el producto en posición de transporte

1. Retire el recogedor de césped (si está instalado).
2. Mantenga presionado el botón de liberación del mango.



3. Pliegue el manillar.

Transporte

- Los requisitos de la legislación de productos peligrosos se aplican a las baterías de iones de litio.
- Para fines de transporte comercial, se deben seguir los requisitos especiales indicados en el paquete y las etiquetas.
- Asegúrese de seguir las regulaciones para materiales peligrosos cuando prepare el producto para el transporte. Es posible que se apliquen normativas locales.
- Siempre retire la batería para el transporte.
- Coloque cinta adhesiva en los conectores de la batería y asegúrese de que la batería no se mueva durante el transporte.
- Fije el producto durante el transporte.

Almacenamiento

- Siempre retire la batería para el almacenamiento.
- Para evitar accidentes, asegúrese de que la batería no esté conectada al producto durante el almacenamiento.
- Mantenga el cargador de batería en un lugar cerrado y seco.
- Mantenga la batería y el cargador de batería en un lugar seco donde no haya humedad ni heladas.
- Desconecte la batería del cargador de batería durante el almacenamiento.
- No mantenga la batería en lugares donde se pueda generar electricidad estática. No mantenga la batería en una caja metálica.

- Mantenga la batería en un lugar donde la temperatura sea de entre 5 °C y 25 °C, y alejada de la luz solar.
- Mantenga el cargador de batería en un lugar donde la temperatura sea de entre 5 °C y 45 °C, y alejado de la luz solar.
- Asegúrese de que la batería tenga entre un 30 % y un 50 % de carga antes de almacenarla durante periodos prolongados.
- Mantenga el producto, la batería y el cargador de batería en un área con llave, fuera del alcance de niños y personas no autorizadas.
- Limpie el producto y realice un mantenimiento completo antes de almacenarlo durante un período prolongado.

Eliminación

El producto se debe enviar a una estación de reciclaje apropiada para la recuperación del equipo eléctrico y electrónico.

Si se asegura de mantener correctamente esta máquina, puede contribuir a contrarrestar los posibles efectos negativos en el medioambiente y en las personas que, de lo contrario, podrían resultar afectadas debido a la gestión incorrecta de los residuos de este producto. Para obtener información más detallada sobre el reciclaje de este producto, comuníquese con su municipalidad, servicio de recolección de residuos domésticos o con la tienda donde compró el producto.

Datos técnicos

Datos técnicos

	LE 322R
Motor de corte	
Tipo de motor	BLDC (sin escobillas), 36 V
Velocidad del motor: modo de detección, rpm	2600-2900
Velocidad del motor: modo de trituración/alta calidad, rpm	3000-3300
Velocidad del motor: modo de potencia máxima, rpm	3400
Salida del motor: máx. kW (HP)	2,1 (2,9)
Salida del motor: nominal, kW (HP)	1,25 (1,7)
Límite de corriente: 1 batería, (límite de corriente: 900 W-35 A)	45 A (+/-) 1 A
Límite de sobrecorriente: 2 baterías (límite de corriente: 900 W-35 A)	75 A (+/-) 1 A
Motor de accionamiento	
Salida del motor: nominal, kW (HP)	0,2-0,4 (0,27-0,55)
Velocidad de autopropulsión, km/h (mph)	0 – 6,4 (0 - 4)
Niveles de ajuste de velocidad	9
Peso	
Peso sin batería (incluye recogedor de césped), kg (lb)	34,3 (75,6)
Batería ⁴	

⁴ Para obtener los mejores resultados y un mejor rendimiento, se recomienda la batería BLi30 Husqvarna.

	LE 322R
Tipo de batería	Serie de batería Husqvarna
Duración de la batería	
Duración de la batería, máx, (funcionamiento continuo) con modo de detección activado, con dos baterías de 7,5 Ah Husqvarna (BLi30).	75
Corte	
Altura de corte, in/cm	1,3-4,5/3,3-11,4
Ancho de corte, in/cm	20,2/51,3
Hoja	Mantillo 5375821-41
Capacidad del recogedor, litros	65

Baterías aprobadas	Tipo	Capacidad de la batería, Ah	Voltaje, V	Peso, kg/lb
BLi30	Iones de litio	7,8	36	1,9/4,2
BLi22	Iones de litio	4,0	36	2,65/1,2

Cargadores de baterías aprobados para las baterías especificadas, BLi	Voltaje de entrada, V	Frecuencia, Hz	Potencia, W
40-C80	100-240	50-60	80
QC250	100-240	50-60	250

Distribuidor

Husqvarna Professional Products, Inc.

Charlotte, NC 28269

Soporte/ayuda

Si necesita asistencia o tiene alguna pregunta acerca de la aplicación, operación, mantenimiento o piezas de su producto:

- Visite nuestro sitio web: www.husqvarna.com
- Llámenos de manera gratuita:
1-800-487-5951

Table des matières

Introduction.....	53	Entretien.....	70
Sécurité.....	57	Dépannage.....	74
Montage.....	62	Transport, entreposage et mise au rebut.....	76
Fonctionnement.....	63	Caractéristiques techniques.....	77

Introduction

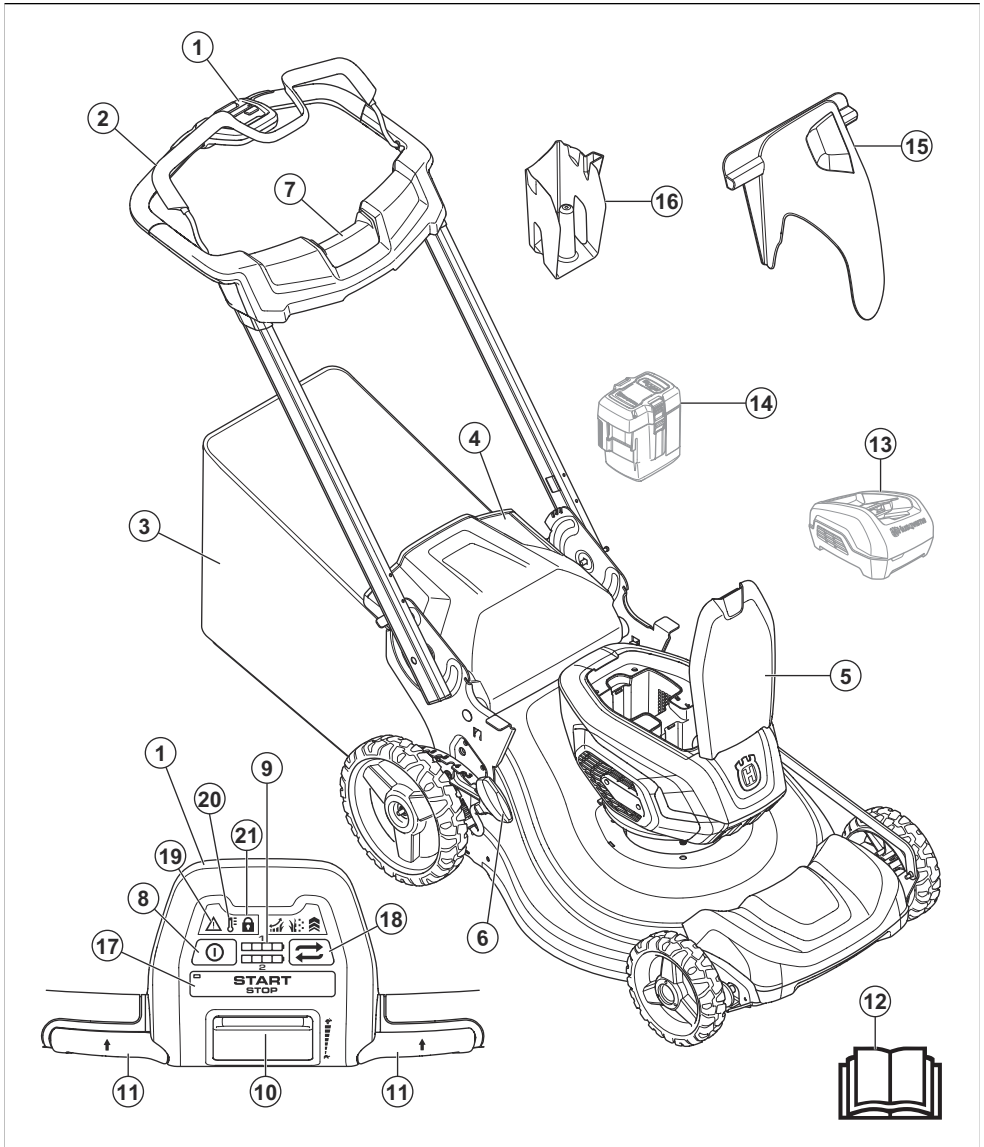
Description du produit

Le produit est une tondeuse rotative à conducteur accompagnant. L'herbe est recueillie dans un collecteur d'herbe. Retirer le collecteur d'herbe afin d'activer la décharge arrière de l'herbe ou attacher une lame de broyage afin de couper l'herbe pour la transformer en engrais.

Utilisation prévue

Utiliser l'outil pour couper l'herbe. Ne pas utiliser l'outil pour d'autres tâches.

Présentation de l'appareil



1. Panneau de commande
2. Poignée de freinage du moteur
3. Collecteur d'herbe
4. Couvercle arrière
5. Couvercle de batterie

6. Commande de hauteur de coupe
7. Bouton de déverrouillage du guidon
8. Bouton de marche/arrêt
9. Indicateur de charge de la batterie
10. Commande de régulation du régime

11. Bouton de la commande d'entraînement
12. Manuel de l'opérateur
13. Chargeur de batterie, inclus dans la trousse seulement
14. Batterie 2X, incluse dans la trousse seulement
15. Goulotte de décharge
16. Bouchon de broyage
17. Bouton de démarrage/arrêt de la lame
18. Bouton de mode de coupe
19. DEL d'erreur
20. Indicateur de température élevée
21. Indicateur de lame verrouillée



L'utilisation du produit sur une pente peut s'avérer dangereuse.



Garder les mains et les pieds à l'écart des pièces en rotation.



Ne pas mettre au contact de la pluie

Symboles figurant sur le produit



Ce produit peut être dangereux et causer des blessures très graves, ou même mortelles, à l'opérateur et à d'autres personnes. Faire attention et utiliser le produit correctement.



Avant d'utiliser l'appareil, lire attentivement le manuel d'utilisation et veiller à bien comprendre les directives.



Garder les personnes et les animaux à une distance sécuritaire de l'aire de travail.



Porter un dispositif de protection homologué pour les oreilles.



Faire attention aux objets projetés et aux ricochets.



Garder les mains et les pieds à l'écart de la lame en rotation.



Rester prudent lorsqu'on utilise le produit vers l'arrière. Regarder derrière et vers le bas pour vérifier la présence éventuelle de petits enfants, d'animaux ou d'autres risques de chute.



Relâcher la poignée de freinage du moteur pour arrêter.



Lent



Rapide



Code à numériser



Mode de coupe.



Mode 1 : Détection.



Mode 2 : Broyage / Haute qualité.



Mode 3 : Puissance maximale.

Remarque : Les autres symboles et autocollants apposés sur le produit se rapportent

aux exigences en matière de certification pour certains marchés.

Étiquettes d'avertissement



AVOID SERIOUS INJURY OR DEATH

- Read the operator's manual. Go across slopes, not up and down. Do not mow when children or others are around.
- Look down and behind before and while moving. Remove objects that could be thrown by the blade.
- Keep safety devices (guards, shields, switches, etc.) in place and working.
- To reduce risk of electric shock, do not expose unit to water or operate unit on wet ground.
- Remove the batteries before opening, cleaning or changing accessories.
- To reduce the risk of injury, do not operate without guards in place.
- To reduce the risk of injury, inspect catcher assembly frequently and replace with recommended replacement if there are signs of wear or deterioration. Keep hands and feet away – rotating blade hazard. Keep bystanders and children away.
- Remove battery pack when not in use.
- For use only with Husqvarna BLi22 or BLi30 battery.

DANGER DE BLESSURES GRAVES OU MORTELLES

- Lisez attentivement le manuel d'utilisation, Tondez dans pentes et les talus en diagonale, et non à la verticale, N'utilisez pas la tondeuse à proximité d'enfants ou autres personnes.
- Scrutez attentivement le sol si vous devez reculer avec la machine et débarrassez la zone de travail de tout objet risquant d'être projeté.
- Assurez-vous que les dispositifs de sécurité (protections, écrans, interrupteurs, etc.) sont bien en place et fonctionnels.
- Pour diminuer les risques de choc électrique, ne mouillez pas l'appareil ou ne l'utilisez pas sur un sol humide,
- Débranchez le circuit d'alimentation avant de l'ouvrir, de le nettoyer ou de changer les accessoires,
- Afin de réduire le risque de blessures, n'utilisez pas la machine si les dispositifs de protection ne sont pas en place
- Afin de réduire le risque de blessures, inspectez régulièrement l'ensemble trémie de collecte/bac à herbe et remplacez les pièces usées par des pièces recommandées. Il y a un risque de mutilation des doigts ou des orteils. Gardez les enfants et les autres personnes à distance.
- Retirez le bloc-piles lorsque l'outil est inutilisé.
- Pour usage seulement avec batterie Husqvarna BLi22 ou BLi30.

Fabricant

Husqvarna Professional Products, Inc.

9335 Harris Corners Pkwy, Charlotte, NC 28269, USA

Responsabilité concernant le produit

Comme indiqué dans les lois en vigueur sur la responsabilité concernant les produits, nous ne serons pas tenus responsables des dommages que notre produit causerait dans les situations suivantes :

- Le produit n'est pas réparé de façon adéquate.
- Le produit est réparé avec des pièces qui ne sont pas fournies ou homologuées par le fabricant.
- Le produit comprend un accessoire qui n'est pas fourni ou homologué par le fabricant.
- Le produit n'est pas réparé par un centre de service après-vente agréé ou par une autorité homologuée.

Sécurité

Définitions relatives à la sécurité

Les avertissements, recommandations et remarques soulignent des points du manuel qui revêtent une importance particulière.



AVERTISSEMENT : Indique la présence d'un risque de blessure ou de décès de l'utilisateur ou de personnes à proximité si les

instructions du manuel ne sont pas suivies.



MISE EN GARDE : Indique la présence d'un risque de dommages au produit, à d'autres appareils ou à la zone adjacente si les instructions du manuel ne sont pas suivies.

Remarque : Utilisé pour donner des renseignements plus détaillés qui sont nécessaires dans une situation donnée.

Consignes de sécurité



AVERTISSEMENT : Lors de l'utilisation des tondeuses à gazon électrique, des précautions de base doivent toujours être prises afin d'éviter les risques d'électrocution et de blessure, y compris les suivantes :

- Lire toutes les instructions
- Éviter les environnements dangereux. Ne pas utiliser l'outil dans des endroits humides ou mouillés.
- Ne pas utiliser l'outil sous la pluie.
- Tenir les enfants à distance. Tous les visiteurs doivent rester à une distance suffisante de la zone de travail.
- S'habiller de façon appropriée. Ne pas porter de vêtements amples ou de bijoux pouvant se prendre dans les pièces en mouvement. Utiliser des gants en caoutchouc et des chaussures lorsque vous travaillez à l'extérieur.
- Utiliser des lunettes de sécurité. Toujours porter un masque ou une protection anti-poussière pour le visage en cas d'utilisation de l'appareil en milieu poussiéreux
- Ne pas utiliser ce produit pour des tâches autres que celle pour laquelle il est conçu.
- Ne pas soumettre l'outil à une contrainte. L'outil produit de meilleurs résultats et le travail est effectué de façon plus sécuritaire s'il tourne au régime pour lequel il a été conçu.
- Ne pas trop se pencher vers l'avant. Toujours se tenir bien campé et en équilibre.
- Rester vigilant. Regarder ce que vous faites. Faire preuve de bon sens Ne pas faire fonctionner le produit lorsqu'on est fatigué.
- Lorsqu'il n'est pas utilisé, le produit doit être remisé dans un endroit clos sec et verrouillé, hors de portée des enfants.
- Entretenir le produit avec soin. Maintenir les bords tranchants aiguisés et propres pour obtenir le meilleur rendement et le fonctionnement le plus sûr. Respecter les instructions concernant la lubrification et le changement des accessoires. Garder les poignées sèches, propres et exemptes d'huile et de graisse.
- Garder les protections en place et en bon état d'utilisation.
- Maintenir les lames tranchantes.
- Garder les mains et les pieds éloignés de la zone de coupe.
- Les objets heurtés par la lame de tondeuse peuvent engendrer de graves blessures. Toujours examiner le gazon avec attention et éliminer tout objet avant de commencer chaque tonte.
- Si la machine touche un objet étranger quelconque ou produit des vibrations, faire ce qui suit : Arrêter le moteur et retirer la batterie. Inspecter le produit à la recherche de dommages. Réparer les dommages éventuels ou communiquer avec un atelier spécialisé autorisé.
- Utiliser seulement des lames de rechange identiques.
- Cet appareil peut être dangereux s'il est utilisé incorrectement ou avec insouciance; il peut causer des blessures graves ou mortelles à l'opérateur ou à des personnes à proximité.
- Garder en tête que l'opérateur ou l'utilisateur est responsable des accidents et des risques survenant à d'autres personnes, ainsi que de ses biens.
- Le produit doit être propre. Les signes et les autocollants doivent être entièrement lisibles.
- Il n'est pas possible de couvrir toutes les situations imaginables qui pourraient se produire. Toujours faire preuve d'attention et de bon sens. En cas d'appréhension, arrêter la machine et demander l'avis d'un expert. Communiquer avec le distributeur, l'agent de maintenance ou un utilisateur expérimenté. Ne pas tenter d'effectuer des tâches si vous avez des doutes!
- Ne pas laisser un enfant utiliser l'outil.
- Ne laisser personne utiliser l'outil sans connaître les instructions.
- Toujours surveiller les personnes qui ont des capacités physiques ou mentales réduites et qui utilisent l'outil. Un adulte responsable doit toujours être présent.
- Ne jamais utiliser l'appareil si vous êtes fatigué ou sous l'emprise de drogues, de l'alcool, de médicaments ou de toute substance qui pourrait affecter la vision,

l'attention, la coordination des gestes ou le jugement.

- Les modifications et/ou les accessoires non autorisés peuvent entraîner des blessures graves ou la mort de l'utilisateur ou d'autres personnes. La conception du produit ne peut en aucun cas être modifiée sans l'autorisation du fabricant.
- Ne pas modifier ce produit ou l'utiliser s'il semble avoir été modifié par d'autres.
- Ne jamais utiliser un appareil défectueux. Effectuer les vérifications de sécurité, les réparations et l'entretien conformément aux instructions fournies dans ce manuel. Certaines réparations et tâches d'entretien doivent être effectuées par des spécialistes formés et qualifiés. Consulter les instructions fournies dans la section *Consignes de sécurité pour la maintenance* à la page 62.
- Toujours utiliser des accessoires d'origine.

Sécurité de la zone de travail

- Retirer les branches, les brindilles, les pierres et d'autres objets de la pelouse avant de commencer à couper.
- Garder les personnes, y compris les enfants et les animaux à une distance sécuritaire de l'aire de travail.
- Les objets qui heurtent l'équipement de coupe peuvent être projetés et causer des dommages aux personnes et aux objets environnants.
- Ne pas utiliser l'outil par mauvais temps, y compris dans le brouillard, sous la pluie, dans des endroits exposés à l'humidité, humides ou fortement venteux, en cas de froid intense ou en présence d'un risque de foudre. Effectuer le travail par mauvais temps peut causer une fatigue et des conditions dangereuses, telles que les surfaces glissantes.
- Vérifier l'aire de travail pour vous assurer de toujours garder le contrôle de l'outil.
- Faire attention aux racines, aux pierres, aux branches, aux fosses et aux fossés. L'herbe haute peut dissimuler des obstacles.
- Ne pas utiliser la tondeuse dans des pentes dont l'inclinaison est supérieure à 15 degrés.
- Utiliser le produit le long des pentes. Ne pas le déplacer vers le haut et vers le bas de la pente.

- Faire preuve de prudence à l'approche des recoins et des objets qui peuvent bloquer la vue.

Travail sécuritaire



AVERTISSEMENT : Lire les messages d'avertissement qui suivent avant d'utiliser le produit.

- Utiliser ce produit seulement pour couper l'herbe des pelouses. Il est interdit de l'utiliser pour d'autres travaux.
- Utiliser de l'équipement de protection personnelle. Voir *Équipement de protection personnelle* à la page 60.
- Ne pas utiliser l'outil dans une zone mouillée. Le risque de décharge électrique augmente si de l'eau pénètre dans le produit.
- Ne faire fonctionner le produit que si la lame et tous les capots sont fixés de façon adéquate. Une lame mal fixée risque de se détacher et d'occasionner des blessures personnelles.
- S'assurer que la lame ne touche pas les objets tels que les pierres et les racines. Cela peut endommager la lame et tordre l'arbre du moteur. Un essieu tordu peut engendrer de fortes vibrations et occasionner un risque important que la lame se détache.
- Si la lame heurte un objet ou si des vibrations se produisent, arrêter immédiatement le produit. Couper le moteur, placer la clé de sécurité à la position « 0 » et retirer la batterie. Examiner le produit pour détecter d'éventuels dommages. Réparer les dommages ou laisser un agent d'entretien agréé faire la réparation.
- Ne jamais fixer la poignée de frein moteur en permanence à la poignée lorsque le moteur a démarré.
- Placer le produit sur une surface stable et plane et le lancer. Vérifier que l'outil de coupe ne touche pas le sol ou tout autre objet.
- Toujours rester derrière le produit lorsqu'on l'utilise.
- Lors de l'utilisation du produit, laisser toutes les roues reposer au sol et garder les deux mains sur la poignée. Garder les mains et les pieds à l'écart des lames en rotation.
- Ne pas incliner le produit alors que le moteur est en marche.

- Rester prudent lorsqu'on tire le produit vers l'arrière.
- Ne jamais soulever le produit alors que le moteur est en marche. Si on doit soulever le produit, couper d'abord le moteur et retirer la batterie.
- Ne pas utiliser le produit en marche arrière.
- Couper le moteur lorsqu'on se déplace dans une zone sans herbe, par exemple les chemins de gravier, de pierre et d'asphalte.
- Ne pas courir avec le produit alors que le moteur est en marche. Toujours marcher lors de l'utilisation du produit.
- Arrêter le moteur avant de changer la hauteur de coupe. Ne jamais faire de réglage alors que le moteur est en marche.
- Ne jamais laisser le produit rester hors de vue alors que le moteur est en marche. Arrêter le moteur et vérifier que l'outil de coupe ne tourne pas.
- Ne pas utiliser le produit si les dispositifs de sécurité sont endommagés ou s'ils ne fonctionnent pas correctement.
- Vérifier régulièrement les dispositifs de sécurité. Si les dispositifs de sécurité sont endommagés ou ne fonctionnent pas correctement, communiquez avec votre atelier spécialisé Husqvarna.
- Ne pas modifier les dispositifs de sécurité.

Vérification du carter de coupe

Le carter de coupe réduit les vibrations dans le produit et diminue le risque de blessure par la lame.

- Examinez le carter de coupe pour s'assurer qu'il n'y a pas de dommages tels que des fissures.

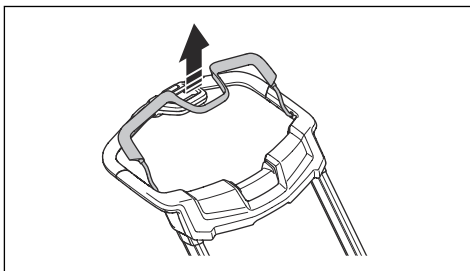
Collecteur d'herbe

Le collecteur d'herbe empêche toute blessure à l'utilisateur de la lame rotative. Le collecteur d'herbe s'use au cours de l'utilisation du produit. Examiner régulièrement le collecteur d'herbe et le remplacer s'il présente des dommages. Remplacer seulement par un collecteur d'herbe approuvé par le fabricant.

Poignée de freinage du moteur

La poignée de freinage du moteur permet de couper le moteur. Lorsqu'on relâche la poignée du frein moteur, le moteur s'arrête.

Pour effectuer une inspection du frein moteur, démarrer le moteur et relâcher la poignée du frein moteur. Si le moteur ne s'arrête pas en 3 secondes, communiquer avec un agent d'entretien agréé Husqvarna pour régler le frein moteur.



Consignes de sécurité pour l'utilisation

Équipement de protection personnelle



AVERTISSEMENT : Lire les messages d'avertissement qui suivent avant d'utiliser l'appareil.

- Cet équipement de protection personnelle n'élimine pas complètement les risques de blessures, mais il peut en réduire la gravité en cas d'accident. Laisser le concessionnaire vous aider à sélectionner l'équipement adéquat.
- Utiliser des protecteurs d'oreille si le niveau sonore est supérieur à 85 dB.
- Utiliser des bottes ou des chaussures antidérapantes robustes. Ne pas utiliser des chaussures ouvertes ou rester les pieds nus.
- Porter un pantalon long et robuste.
- Utiliser des gants de protection au besoin, par exemple lors de la fixation, de l'examen ou du nettoyage de l'équipement de coupe.

Dispositifs de sécurité sur l'outil



AVERTISSEMENT : Lire les messages d'avertissement qui suivent avant d'utiliser l'appareil.

Sécurité de la batterie et du chargeur de batterie

Lire attentivement le manuel d'instructions de la batterie et du chargeur de batterie et veiller à bien comprendre les directives avant d'utiliser l'appareil.

Sécurité en matière de batteries



AVERTISSEMENT : Lire les messages d'avertissement qui suivent avant d'utiliser le produit.

- Utiliser des piles rechargeables Husqvarna en tant que source d'alimentation pour les produits associés Husqvarna seulement. Pour éviter les blessures, ne pas utiliser la batterie en tant que source d'alimentation pour d'autres appareils.
- Ne pas utiliser des batteries non rechargeables.
- Risque de choc électrique. Ne pas raccorder les bornes de la batterie à des clés, des pièces de monnaie, des vis ou tout autre élément métallique. Cela peut provoquer un court-circuit de la batterie.
- Manipuler les batteries avec précaution afin de ne pas provoquer un court-circuit avec des matériaux conducteurs tels que les bagues, les bracelets et les clés. La batterie ou le conducteur peuvent surchauffer et causer des brûlures graves.
- Ne pas placer d'objet dans les fentes de ventilation de la batterie.
- Ne pas exposer un bloc de batteries ou l'appareil au feu ou à une température excessive. Une exposition au feu ou à une température supérieure à 130°C (265°F) peut provoquer une explosion.
- Maintenir la batterie à l'écart de la lumière du soleil, de la chaleur et des flammes nues. La batterie peut exploser et causer des brûlures et/ou des brûlures chimiques.
- Garder la batterie à l'écart de la pluie et de l'humidité.
- Garder la batterie à l'écart des micro-ondes et des pressions élevées.
- Ne pas essayer de démonter ou de briser la batterie.
- Ne pas ouvrir ou endommager la batterie. L'électrolyte qu'elle contient est corrosif et

peut causer des brûlures aux yeux et à la peau. Elle est toxique en cas d'ingestion.

- S'il y a une fuite au niveau de la batterie, ne pas laisser le liquide toucher la peau ou les yeux. Si on touche le liquide, nettoyer la zone avec une grande quantité d'eau et consulter un médecin.
- Utiliser la batterie à une température comprise entre -10 °C et 40 °C.
- Ne pas nettoyer la batterie ou le chargeur de batterie avec de l'eau. Voir *Pour nettoyer la batterie et le chargeur de batterie*. à la page 71.
- Ne pas utiliser une batterie défectueuse ou endommagée.
- Garder les batteries en entreposage à l'écart des objets métalliques tels que les clous, les pièces de monnaie et les bijoux.

Chargeur de batterie

Les chargeurs de batterie QC ne sont utilisés que pour charger les batteries de rechange Husqvarna.

- Réduire comme suit le risque de choc électrique ou de court-circuit : Ne jamais insérer d'objet dans les fentes de refroidissement du chargeur. Ne pas essayer de démonter le chargeur de batterie. Ne jamais connecter les bornes du chargeur à un objet en métal. Utiliser des prises murales approuvées et intactes.
- Cette machine produit un champ électromagnétique pendant le fonctionnement. Ce champ magnétique peut, dans certains cas, nuire aux implants médicaux actifs ou passifs. Pour réduire le risque de blessures graves ou mortelles, nous recommandons aux personnes ayant des implants médicaux de consulter leur médecin et le fabricant de l'implant médical avant d'utiliser la machine.
- Vérifier régulièrement que le câble de connexion du chargeur de la batterie est en bon état et qu'il n'a subi aucun dommage.
- Ne jamais transporter le chargeur de batterie à l'aide de cordon et ne jamais débrancher la prise en tirant sur le cordon.
- Tenir les câbles et les rallonges à l'abri de l'eau, de l'huile et des arêtes coupantes. S'assurer que le câble n'est pas coincé dans une porte, une barrière ou quoi que ce soit

de semblable. Autrement, le chargeur pourrait être mis hors tension.

- Ne jamais nettoyer la batterie ou le chargeur de batterie avec de l'eau.
- Le chargeur de batterie peut être utilisé par des enfants âgés de 8 ans et plus, des personnes à capacités physique, mentale ou sensorielle réduites ou des personnes avec un manque d'expérience et de connaissances s'ils sont supervisés ou s'ils ont reçu des instructions concernant l'utilisation de l'appareil de manière sécuritaire et s'ils comprennent les risques impliqués. Les enfants ne doivent pas jouer avec l'appareil. Le nettoyage et l'entretien ne doivent pas être effectués par un enfant sans supervision.
- Ne pas tenter de charger une batterie non rechargeable dans le chargeur.
- Ne pas utiliser le chargeur de batterie à proximité de matériaux corrosifs ou inflammables. Ne pas essayer de couvrir le chargeur de batterie. Débrancher la prise du chargeur de batterie en cas de fumée ou d'incendie.
- Ne jamais se servir d'un chargeur ou d'une batterie si l'un ou l'autre est endommagé ou défectueux.
- Charger la batterie à l'intérieur uniquement et la mettre à l'abri d'une exposition au soleil directe. Ne pas charger si les conditions sont humides.

- Effectuer les travaux d'entretien de façon adéquate afin d'augmenter la durée de vie de l'outil et réduire le risque d'accidents. Demander à un agent d'entretien agréé de remplacer l'interrupteur d'arrêt. Parler à votre agent d'entretien le plus proche pour obtenir des renseignements supplémentaires.
- N'effectuer que les travaux d'entretien tel qu'indiqué dans ce manuel d'utilisation. Tout autre entretien doit être effectué par un atelier spécialisé.
- Porter des gants de protection robustes lors de l'utilisation de l'équipement de coupe. La lame est affûtée et des coupures peuvent se produire facilement.
- Maintenir les bords tranchants aiguisés et propres pour obtenir le meilleur rendement et le fonctionnement le plus sûr.
- Demander régulièrement à l'agent d'entretien de vérifier l'outil et d'effectuer les ajustements et les réparations nécessaires.
- Remplacer les pièces endommagées, usées ou brisées.
- Respecter les instructions relatives au changement des accessoires. Utiliser seulement des accessoires fournis par le fabricant.
- Lorsqu'il n'est pas en fonctionnement, conserver le produit, la batterie et le chargeur de batterie à l'écart, dans un endroit clos, sec et verrouillé. S'assurer que des enfants et des personnes non autorisées ne puissent accéder au produit, à la batterie ou au chargeur de batterie.

Consignes de sécurité pour la maintenance



AVERTISSEMENT : Lire les messages d'avertissement qui suivent avant d'utiliser le produit.

- Afin d'éviter tout démarrage accidentel durant l'entretien, retirer la batterie et attendre au moins cinq secondes.

CONSERVER CES INSTRUCTIONS

Montage

Introduction



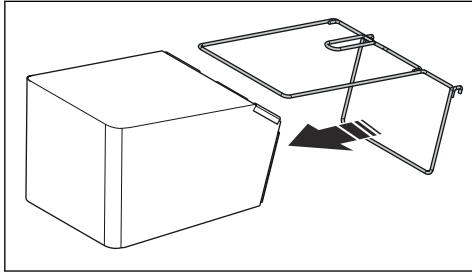
AVERTISSEMENT : Avant d'installer le produit, consulter le chapitre sur la sécurité.



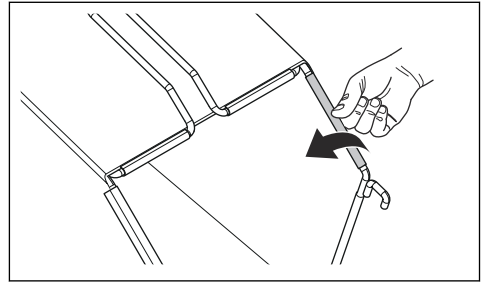
AVERTISSEMENT : Afin d'éviter tout démarrage accidentel durant l'assemblage, déposer la batterie et attendre au moins cinq secondes.

Pour assembler le collecteur d'herbe

1. Fixer le châssis du collecteur d'herbe sur le sac à herbe en orientant la partie rigide du sac vers le bas. Maintenir la poignée du cadre sur le dessus du sac à herbe.



2. Fixer le sac à herbe au collecteur d'herbe à l'aide des agrafes.



Fonctionnement

Introduction



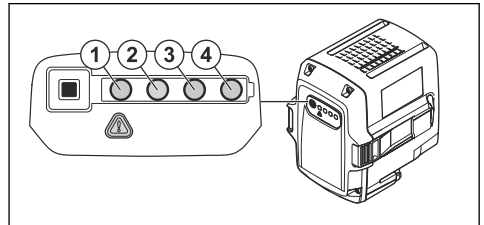
AVERTISSEMENT : Avant d'utiliser le produit, lire et bien comprendre le chapitre sur la sécurité.

Batterie



AVERTISSEMENT : Avant d'utiliser la batterie, lire et bien comprendre le chapitre sur la sécurité. Lire et comprendre également le manuel d'utilisation de la batterie et du chargeur de batterie.

capacité de la batterie s'affiche pendant cinq secondes après le relâchement de la poignée du frein moteur. Le symbole d'avertissement sur la batterie s'allume lorsqu'une erreur se produit. Se reporter à *Voyant DEL de la batterie* à la page 63.



État de la batterie

L'écran indique la capacité de la batterie et tout problème éventuel lié à son fonctionnement. La

Voyant DEL de la batterie

L'écran indique l'état de charge de la batterie et tout problème éventuel lié à son fonctionnement.

Témoin à DEL	État de la batterie (état de charge)	
	BLi22	BLi30
4 voyants DEL allumés	S.O.	La charge de la batterie est entre 76 % et 100 %.
3 voyants DEL allumés	La charge de la batterie est entre 76 % et 100 %.	La charge de la batterie est entre 51 % et 75 %.
2 voyants DEL allumés	La charge de la batterie est entre 51 % et 75 %.	La charge de la batterie est entre 26 % et 50 %.
1 voyant DEL allumé	La charge de la batterie est entre 26 % et 50 %.	La charge de la batterie est entre 6 % et 25 %.

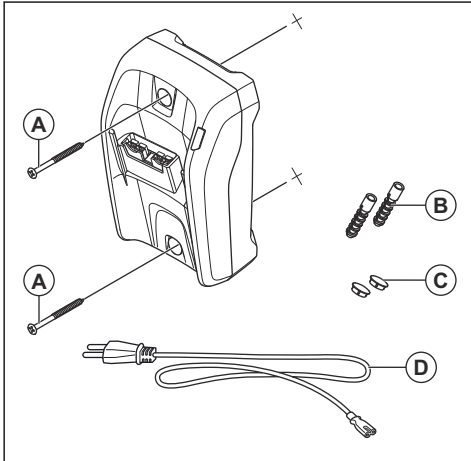
Témoïn à DEL	État de la batterie (état de charge)	
	BLi22	BLi30
1 voyant clignote	La charge de la batterie est entre 0 % et 25 %.	La charge de la batterie est entre 0 % et 5 %.

Pour installer le chargeur de batterie sur le mur



MISE EN GARDE : Ne pas utiliser de tournevis électrique pour installer le chargeur de batterie sur le mur. Un tournevis électrique peut endommager le chargeur de batterie.

1. Installer le chargeur de batterie sur le mur à l'aide des deux vis (A). Utiliser des fiches murales (B) si nécessaire.



2. Installer les deux bouchons à trou de vis (C).
3. Brancher le cordon d'alimentation (D) au chargeur de batterie et à une prise secteur.

Pour charger la batterie



MISE EN GARDE : S'assurer que la batterie, le chargeur de batterie et les bornes de la batterie sont propres et secs. Ne pas mettre la batterie dans le chargeur de batterie si cette première est sale ou humide.

1. Brancher le chargeur de batterie sur une prise secteur. Le voyant à DEL de charge clignote en rouge 1 fois et en vert 1 fois.



MISE EN GARDE : Brancher uniquement le chargeur de batterie sur une prise secteur à la tension et la fréquence indiquées sur la plaque signalétique.

2. Connecter la batterie au chargeur de batterie. La DEL verte s'allume.
3. Retirer la batterie du chargeur lorsqu'elle est complètement chargée. Appuyer sur le bouton indicateur de la batterie pour connaître l'état de la batterie. Lorsque toutes les DEL de la batterie s'allument, la batterie est complètement chargée.
4. Tirer la fiche d'alimentation pour débrancher le chargeur de batterie de la prise secteur. Ne pas tirer le cordon d'alimentation.

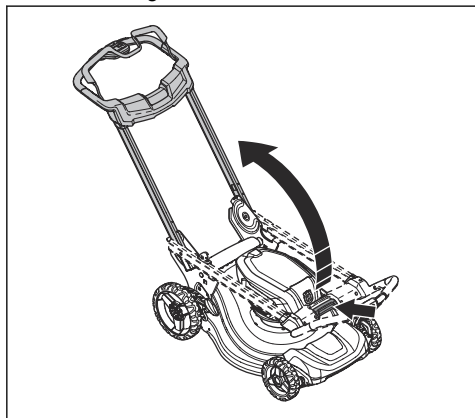
État d charge de la batterie

Une batterie Husqvarna au lithium-ion peut être chargée ou utilisée à tous les niveaux de charge. La batterie n'est pas endommagée. La charge d'une batterie complètement chargée ne diminue pas lorsque la batterie est laissée dans le chargeur.

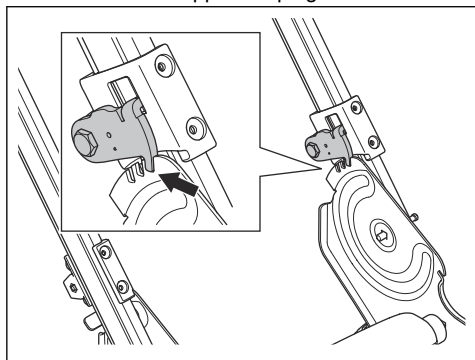
Affichage à DEL	État de charge
La DEL 1 clignote	Entre 0 % et 25 %
La DEL 1 est allumée, la DEL 2 clignote	Entre 25 % et 50 %
Les DEL 1 et DEL 2 sont allumées, la DEL 3 clignote	Entre 50 % et 75 %
Les DEL 1, DEL 2 et DEL 3 sont allumées, la DEL 4 clignote	Entre 75 % et 100 %
Les DEL 1, DEL 2, DEL 3 et DEL 4 sont allumées	Complètement chargée

Pour régler l'outil en position d'utilisation

1. Maintenir enfoncé le bouton de déverrouillage.



2. Soulever la poignée en position verticale jusqu'à ce que les loquets entrent dans l'une des fentes du support de poignée.



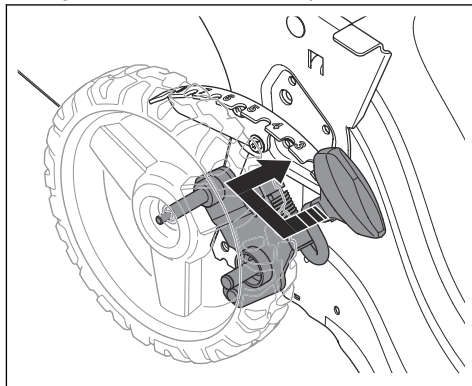
Remarque : Avant l'utilisation, s'assurer que le loquet se trouve dans la fente de la plaque de support.

3. Relâcher le bouton de déverrouillage de la poignée.

Réglage de la hauteur de coupe

La hauteur de coupe peut être réglée à 7 niveaux.

1. Déplacer le levier de réglage de la hauteur de coupe vers l'extérieur et l'arrière pour augmenter la hauteur de coupe.



2. Déplacer le levier de réglage de la hauteur de coupe vers l'extérieur et l'avant pour diminuer la hauteur de coupe.



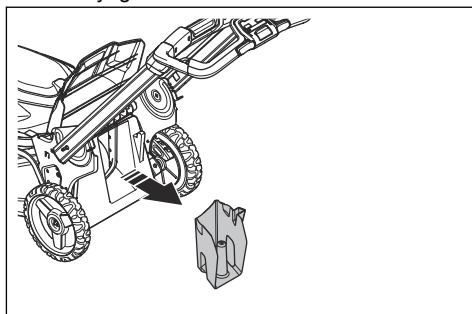
MISE EN GARDE : Ne pas régler la hauteur de coupe trop bas. Les lames peuvent heurter le sol si la surface de la pelouse n'est pas plate.

Pour utiliser le produit avec le collecteur d'herbe

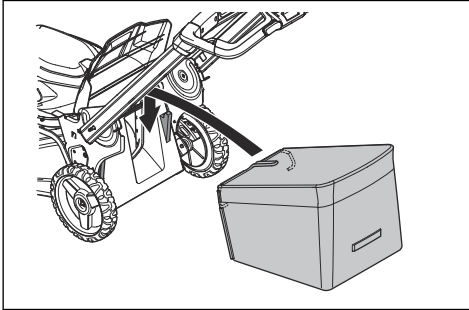


AVERTISSEMENT : Ne pas utiliser le produit si le collecteur d'herbe n'est pas raccordé et que le couvercle arrière est ouvert. Des objets peuvent être projetés et blesser l'utilisateur.

1. Soulever le capot arrière et retirer le bouchon de broyage.



2. Assembler le collecteur d'herbe; se reporter à *Pour assembler le collecteur d'herbe à la page 63.*
3. Placer le collecteur d'herbe sur le support.

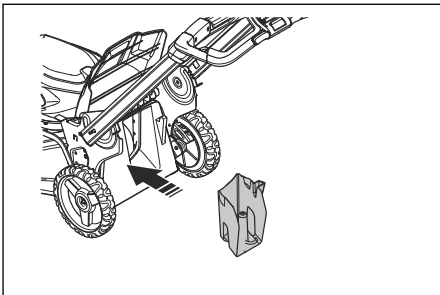


4. Laisser retomber le couvercle arrière sur le cadre du sac à herbe.

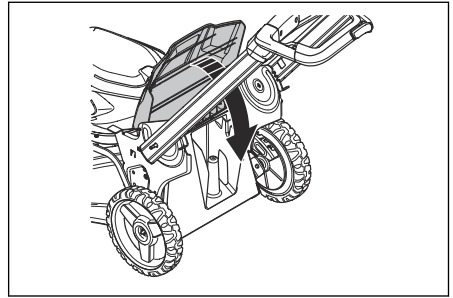
Pour faire passer la tondeuse en mode broyage

Le mode broyage de la tondeuse réduit la taille de l'herbe coupée. L'herbe coupée tombe ensuite sur la pelouse et s'éparpille dans les herbes. L'herbe broyée se biodégrade rapidement pour fournir un apport en nutriments à la pelouse.

1. Lever le couvercle arrière et retirer le sac à herbe s'il est installé.
2. Placer le bouchon de broyage dans le canal collecteur.

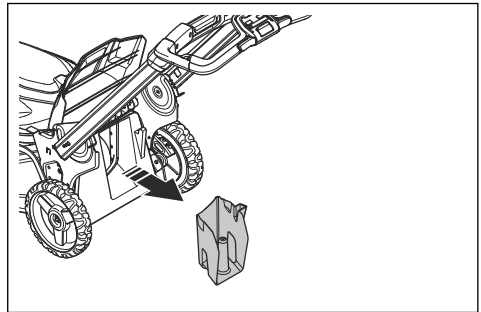


3. Laisser le capot arrière fermé et s'assurer qu'il se ferme hermétiquement contre le bouchon de broyage.

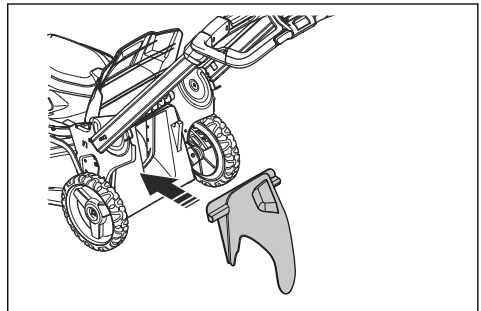


Pour faire passer la tondeuse en mode de décharge arrière

1. Soulever le capot arrière et retirer le bouchon de broyage.



2. Installer la goulotte de décharge.



3. Relâcher le capot arrière et le placer au-dessus de la goulotte d'éjection.

Coupage de l'herbe sans collecteur d'herbe ou sans bouchon de broyage

- Soulever le couvercle arrière et retirer le collecteur d'herbe.
- Si un bouchon de broyage est attaché, le retirer.

- Fermer le couvercle arrière avant d'utiliser le produit.

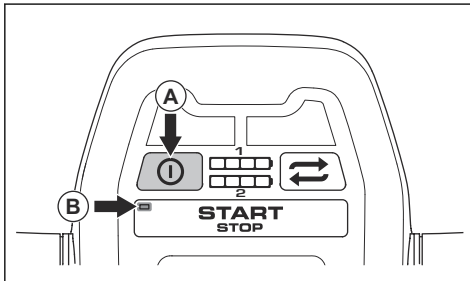
Lors de l'utilisation du produit, l'herbe coupée est déchargée sous le couvercle arrière.

Mise sous tension de l'appareil

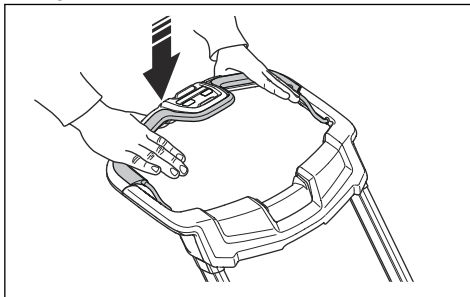
1. Placer une batterie chargée dans le compartiment de batterie numéro 1 situé sous le couvercle de batterie. Pour obtenir une durée de fonctionnement plus longue, placer une deuxième batterie chargée dans le compartiment de batterie numéro 2.
2. Fermer le couvercle de la batterie.

Remarque : Garder toujours le couvercle de la batterie fermé pendant le fonctionnement.

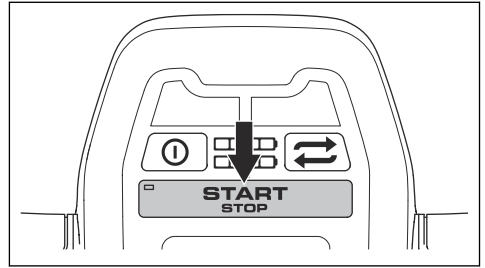
3. Rester derrière la machine.
4. Appuyer sur le bouton ON/OFF (marche/arrêt) (A) du panneau de commande.



5. Pousser la poignée de freinage du moteur vers le guidon. Le témoin à DEL vert (B) clignote.

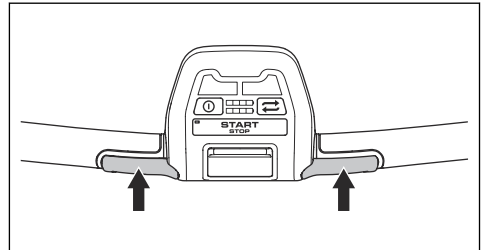


6. Appuyer sur le bouton de démarrage/d'arrêt de la lame pour démarrer les lames.

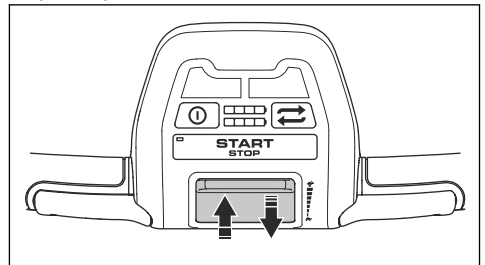


Pour utiliser le dispositif d'entraînement sur les roues

1. Appuyer sur les boutons de commande d'entraînement sur les guidon.



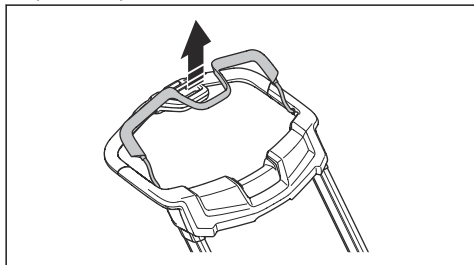
2. Déplacer la commande de régulation du régime pour régler l'entraînement. Déplacer la commande de régulation du régime vers le bas pour obtenir une vitesse plus lente. Déplacer la commande de régulation du régime vers le haut pour obtenir une vitesse plus rapide.



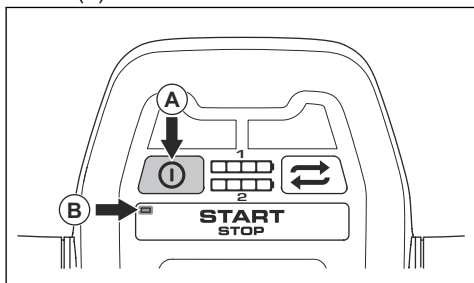
3. Relâcher les bouton de la commande d'entraînement pour désengager l'entraînement, par exemple à l'approche d'un obstacle.

Mise hors tension de l'appareil

1. Relâcher la poignée de freinage du moteur pour couper le moteur.

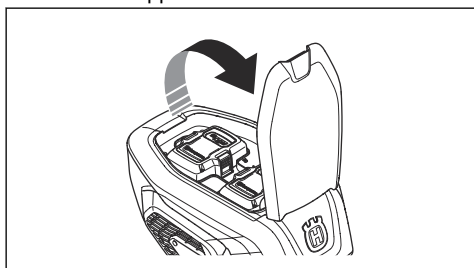


2. Appuyer sur le bouton ON/OFF (marche/arrêt) (A) sur le panneau de commande; le voyant vert (B) s'éteint.

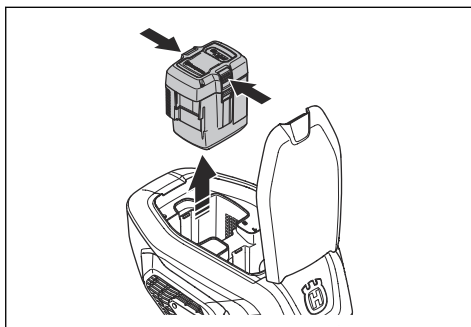


Remarque : Le panneau de commande est automatiquement DÉACTIVÉ si vous ne faites pas fonctionner le produit ou si vous n'appuyez sur aucun bouton pendant 2 minutes.

3. Ouvrir la trappe de la batterie.



4. Pour déposer la batterie, appuyer sur les deux boutons de libération et retirer la batterie.



5. Charger la batterie si elle est faible. Pour obtenir de plus amples renseignements, se reporter à *Pour charger la batterie* à la page 64.

Pour obtenir un bon résultat

- Toujours utiliser une lame affûtée. Une lame émoussée donne un résultat aléatoire et rend la surface de coupe de l'herbe jaune. Une lame affûtée utilise moins d'énergie qu'une lame émoussée.
- Ne pas couper plus de la moitié de la longueur de l'herbe. Couper d'abord en réglant la hauteur de coupe sur une valeur élevée. Examiner le résultat et abaisser la hauteur de coupe sur un niveau applicable. Si l'herbe est très longue, travailler lentement et tondre deux fois au besoin.
- Couper dans des directions différentes à chaque fois pour éviter la formation de rayures sur le gazon.
- Garder le couvercle de l'unité de coupe propre. L'accumulation de gazon et de saleté sur le côté intérieur du couvercle de l'unité de coupe peut diminuer le résultat de la coupe. Se reporter à *Pour nettoyer l'outil* à la page 71.

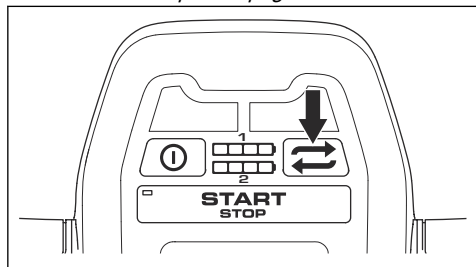
Pour régler le mode de coupe

Le produit peut être réglé à un mode de coupe. Vous pouvez sélectionner entre trois modes de coupe pour le produit, se reporter à *Symboles figurant sur le produit* à la page 55.

Remarque : Lorsque le produit est en marche, il est automatiquement réglé au mode Broyage/ Haute qualité.

Remarque : Lorsque la batterie est faible, le produit fonctionne en mode de détection.

1. Démarrer le produit, se reporter à *Mise sous tension de l'appareil à la page 67*.
2. Appuyer sur le bouton de mode de coupe pour modifier le mode de coupe, se reporter à *Mode de coupe à la page 70*.





Détection



Broyage / Haute qualité ⁵

Type d'herbe	Quantité coupée (cm/po)	Mode de fonctionnement		
		Bouchon de broyage	Goulotte de décharge	Collecteur d'herbe
Mince ou sec	< 2,54/1,00	Détection	Détection	Détection
	2,54/1,00	Broyage / Haute qualité	Détection	Détection
	3,81/1,50	Broyage / Haute qualité	Détection	Broyage / Haute qualité
	5,08/2,00	Non recommandé	Détection	Broyage / Haute qualité
	> 5,08/2,00	Non recommandé	Broyage / Haute qualité	Non recommandé
Épais ou mouillé	< 2,54/1,00	Détection	Détection	Détection
	2,54/1,00	Broyage / Haute qualité	Détection	Broyage / Haute qualité
	3,81/1,50	Puissance maximale	Détection	Broyage / Haute qualité
	5,08/2,00	Non recommandé	Broyage / Haute qualité	Broyage / Haute qualité
	> 5,08/2,00	Non recommandé	Puissance maximale	Non recommandé

Entretien

Introduction



AVERTISSEMENT : Avant de procéder à l'entretien, lire et bien comprendre le chapitre sur la sécurité.

Pour tous les travaux d'entretien et de réparation sur le produit, une formation spécifique est nécessaire. La disponibilité des réparations et des entretiens effectués de façon professionnelle est garantie. Si un distributeur n'est pas un agent

⁵ Lorsque le produit est en marche, il est automatiquement réglé au mode Broyage/Haute qualité.

d'entretien, communiquer avec lui pour connaître l'agent d'entretien le plus proche.

Calendrier de maintenance

La fréquence d'entretien est calculée sur la base d'une utilisation quotidienne. Les intervalles

changent si le produit n'est pas utilisé tous les jours.

En ce qui concerne les éléments d'entretien marqués d'un *, voir les instructions dans *Sécurité à la page 57.*

	Chaque utilisation	Men-suel	Chaque saison
Effectuer une inspection générale.	X		
Nettoyer le produit.	X		
Nettoyer ou remplacer le filtre.			X
S'assurer que les dispositifs de sécurité du produit ne sont pas défectueux. *	X		
Examiner l'équipement de coupe.	X		
Examiner le carter de coupe *	X		
Vérifier la poignée du frein moteur *	X		
S'assurer que le bouton ON/OFF (démarrage / arrêt) fonctionne de façon adéquate et n'est pas défectueux.	X		
Examiner la batterie afin de détecter d'éventuels dommages.	X		
Vérifier la charge de la batterie.	X		
S'assurer que les boutons de déverrouillage de la batterie fonctionnent de façon adéquate, et que la batterie se verrouille dans le produit.	X		
Examiner le chargeur de batterie afin de détecter d'éventuels dommages et s'assurer qu'il fonctionne de façon adéquate.		X	
Examiner les raccords entre la batterie et le produit. Examiner également le raccord entre la batterie et le chargeur de batterie.			X

Pour effectuer une inspection générale

- S'assurer que les écrous et les vis sur le produit sont serrés.
- S'assurer que les câbles sur le produit ne sont pas dans une position où ils risquent d'être endommagés.

Pour nettoyer l'outil

- Nettoyer les pièces en plastique à l'aide d'un chiffon propre et sec.
- Ne pas utiliser de l'eau pour nettoyer le produit. L'eau pourrait pénétrer dans la batterie ou le moteur et engendrer des courts-circuit ou endommager le produit.

- Ne pas utiliser de nettoyeur à haute pression pour nettoyer la tondeuse.
- Ne pas verser de l'eau directement sur le moteur.
- Utiliser une brosse pour enlever les feuilles, l'herbe et la saleté.

Pour nettoyer la batterie et le chargeur de batterie.



AVERTISSEMENT : Ne pas nettoyer la batterie ou le chargeur de batterie avec de l'eau.



AVERTISSEMENT : N'utiliser aucun produit chimique pour nettoyer la batterie.

- S'assurer que la batterie et le chargeur de batterie sont propres et secs avant de raccorder la batterie au chargeur de batterie.
- Nettoyer les cosses batterie avec de l'air comprimé ou utiliser un chiffon doux et sec.
- Nettoyer les surfaces de la batterie et le chargeur de batterie au moyen d'un chiffon sec et doux.

Pour examiner l'équipement de coupe



AVERTISSEMENT : Afin d'éviter tout démarrage accidentel, déposer la batterie et attendre au moins cinq secondes.



AVERTISSEMENT : Utiliser des gants de protection lors des opérations d'entretien sur l'équipement de coupe. La lame est affûtée et des coupures peuvent se produire facilement.

1. Examiner l'équipement de coupe pour détecter les éventuels dommages ou fissures. Toujours remplacer les équipements endommagés.
2. Regarder la lame pour voir si elle est endommagée ou émoussée.

Remarque : Il est nécessaire d'équilibrer la lame après l'avoir affûtée. Demander à un centre d'entretien d'affûter, de remplacer et d'équilibrer la lame. Si on frappe un obstacle qui occasionne l'arrêt du produit, remplacer la lame endommagée. Demander au centre d'entretien d'estimer si la lame peut être affûtée ou si elle doit être remplacée.

Pour remplacer la lame

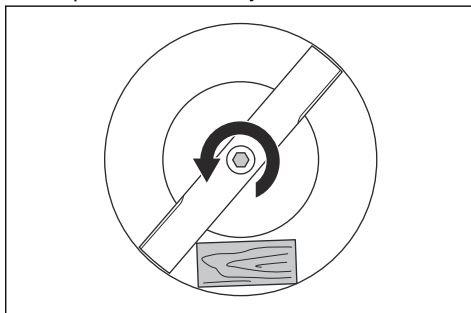
Se reporter à *Caractéristiques techniques à la page 77* pour connaître le type de lame approprié.



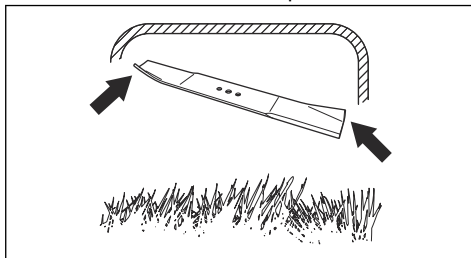
AVERTISSEMENT : Bloquer la lame au moyen d'un bloc de bois pour éviter les blessures aux doigts lorsque vous remplacez la lame. La lame peut

être déplacée lorsque le moteur est arrêté et que les doigts peuvent se coincer entre la lame et les pièces fixes.

1. Bloquer la lame au moyen d'un bloc de bois.

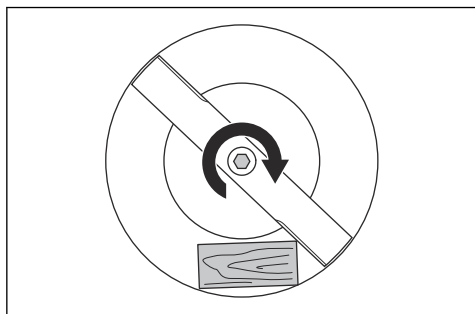


2. Retirer le boulon de la lame.
3. Retirer la lame.
4. Examiner le support de lame et le boulon de lame pour voir s'il y a des dommages.
5. Examiner l'arbre du moteur pour s'assurer qu'il n'est pas plié.
6. Pour monter la lame neuve, orienter les extrémités angulaires de la lame vers le couvercle de l'unité de coupe.



7. S'assurer que la lame est alignée avec le centre de l'arbre du moteur.

8. Bloquer la lame au moyen d'un bloc de bois. Fixer la rondelle élastique et serrer le boulon et la rondelle au moyen d'un couple de 48-54 Nm.



9. Tirer la lame à la main pour s'assurer qu'elle tourne librement.

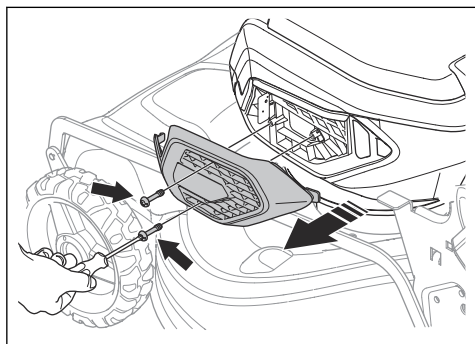


AVERTISSEMENT : Porter des gants robustes. La lame est très affûtée et des coupures peuvent se produire facilement.

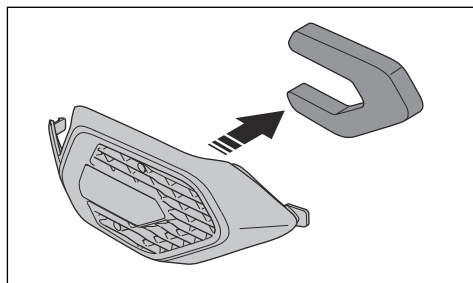
10. Démarrer l'outil pour effectuer un test de la lame. Si la lame n'est pas correctement fixée, le produit produira des vibrations ou des résultats de coupe insatisfaisants.

Nettoyage du filtre à air

1. Retirer les vis et déposer le couvercle de filtre à air.



2. Déposer le filtre à air et le couvercle de filtre à air.



3. Vérifier le filtre à air pour détecter des dommages. Toujours remplacer un filtre à air endommagé.
4. Nettoyer le filtre à air avec une solution d'eau savonneuse chaude.



MISE EN GARDE : Ne pas utiliser un solvant ou de l'air comprimé pour nettoyer le filtre à air.

5. Laisser le filtre à air sécher complètement.
6. Installer le filtre à air et le couvercle de filtre à air.

Dépannage

Tondeuse

Problème	Causes	Solution
Le système d'entraînement des roues ne fonctionne pas correctement.	La transmission est trop chaude.	Placer l'outil dans un endroit frais à l'écart des rayons du soleil. Attendre au moins 30 minutes pour laisser le produit refroidir avant de le remettre en marche.

Batterie

DEL sur la batterie	Causes	Solution
Le témoin à DEL vert clignote.	La tension de la batterie est faible.	Charger la batterie. Se reporter à <i>Pour charger la batterie à la page 64.</i>
La DEL d'erreur clignote.	La batterie est faible.	Charger la batterie. Se reporter à <i>Pour charger la batterie à la page 64.</i>
	La température de l'environnement de travail est trop élevée ou trop basse.	Utiliser la batterie à une température comprise entre -10 °C et 40 °C.
	Sur-tension	S'assurer que la tension de secteur correspond à la valeur indiquée sur la plaque signalétique du produit. Retirer la batterie du chargeur. Attendre cinq secondes et essayer à nouveau de charger la batterie. Si le problème persiste, communiquer avec un atelier spécialisé agréé.
Le témoin d'erreur à DEL est allumé.	La différence entre les éléments de la batterie est trop grande (1 V).	Communiquer avec un atelier spécialisé agréé.

Chargeur de batterie

DEL sur le chargeur de batterie	Causes	Solution
La DEL d'erreur clignote.	La température de l'environnement de travail est trop élevée ou trop basse.	Utiliser le chargeur de batterie à une température comprise entre 5 °C et 40 °C.
Le témoin d'erreur à DEL est allumé.		Communiquer avec un atelier spécialisé agréé.

Panneau de commande

Si vous ne trouvez aucune solution à votre problème, communiquer avec votre atelier spécialisé Husqvarna.

Clavier	Anomalies potentielles	Action possible
La DEL d'erreur clignote	Le guidon n'est pas complètement déployé et verrouillé en position de fonctionnement.	Déployer complètement le guidon et le verrouiller en position de fonctionnement. Se reporter à <i>Pour régler l'outil en position d'utilisation à la page 65</i> . Après cette étape, appuyer sur le bouton ON/OFF (marche/arrêt) pour que le voyant d'erreur à DEL s'éteigne.
	Niveau de batterie faible	Charger la batterie. Se reporter à <i>Pour charger la batterie à la page 64</i> . Après cette étape, appuyer sur le bouton ON/OFF (marche/arrêt) pour que le voyant d'erreur à DEL s'éteigne.
	Il y a une surcharge dans le moteur.	Augmenter la hauteur de coupe Se reporter à <i>Réglage de la hauteur de coupe à la page 65</i> . Après cette étape, appuyer sur le bouton ON/OFF (marche/arrêt) pour que le voyant d'erreur à DEL s'éteigne.
		Retirer l'obstruction causée par l'herbe autour de la lame. Retirer la batterie et retirer manuellement l'herbe.
Erreur de batterie ou aucun signal de la batterie.	Insérer correctement la batterie dans le produit. Se reporter à <i>Mise sous tension de l'appareil à la page 67</i> . Après cette étape, appuyer sur le bouton ON/OFF (marche/arrêt) pour que le voyant d'erreur à DEL s'éteigne.	
	Remplacer la batterie. Se reporter à <i>Mise sous tension de l'appareil à la page 67</i> . Après cette étape, appuyer sur le bouton ON/OFF (marche/arrêt) pour que le voyant d'erreur à DEL s'éteigne.	

Clavier	Anomalies potentielles	Action possible
Le témoin d'erreur à DEL s'allume	L'entretien ou la réparation du produit est nécessaire.	Arrêter immédiatement le produit et communiquer avec son atelier spécialisé Husqvarna.
Indicateur de température élevée	La commande du moteur est trop chaude.	Arrêter le moteur et attendre qu'il ait refroidi.
Le produit s'arrête	La batterie est faible.	Charger la batterie. Se reporter à <i>Pour charger la batterie à la page 64.</i>
	Défaillance du connecteur de batterie.	Examiner le connecteur de batterie.

Transport, entreposage et mise au rebut

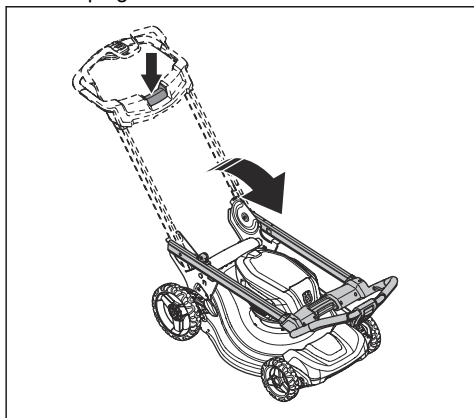
Introduction



AVERTISSEMENT : Afin d'éviter tout démarrage accidentel durant le transport, retirer la batterie et attendre au moins cinq secondes.

Pour régler l'outil à la position de transport

1. Retirer le collecteur d'herbe (si installé).
2. Maintenir enfoncé le bouton de déverrouillage de la poignée.



3. Rabattre la poignée.

Transport

- Les exigences de la législation relative aux produits dangereux s'appliquent aux batteries Li-ion.
- Les exigences spéciales relatives au transport commercial pour l'emballage et les étiquettes doivent être respectées.
- Lorsqu'on prépare le produit pour le transport, s'assurer de respecter la réglementation relative aux produits dangereux. Les réglementations locales peuvent s'appliquer.
- Toujours retirer la batterie pendant le transport.
- Appliquer du ruban adhésif sur les connecteurs de batterie et s'assurer que la batterie ne puisse pas bouger pendant le transport.
- Fixer le produit pendant le transport.

Entreposage

- Toujours retirer la batterie pour l'entreposage.
- Pour éviter tout accident, s'assurer que la batterie n'est pas raccordée au produit pendant l'entreposage.
- Entreposer le chargeur de batterie dans un endroit sec et fermé.
- Garder la batterie et le chargeur de batterie dans un endroit sec où il n'y a pas d'humidité ou de glace.
- Débrancher la batterie du chargeur de batterie pendant la période d'entreposage.
- Ne pas entreposer la batterie dans une zone où l'électricité statique peut se développer.

Ne pas entreposer la batterie dans une boîte métallique.

- Entreposer la batterie dans un endroit où la température se situe entre 5°C et 25°C toujours à l'abri de la lumière directe du soleil.
- Entreposer le chargeur de batterie dans un endroit où la température se situe entre 5°C et 45°C toujours à l'abri de la lumière directe du soleil.
- S'assurer que la charge de la batterie est comprise entre 30 et 50 % de sa capacité avant de la remiser pour une longue période.
- Entreposer le produit, la batterie et le chargeur de batterie dans une zone verrouillée hors de portée pour les enfants et les personnes non autorisées.
- Nettoyer le produit et effectuer un entretien complet avant de l'entreposer dans le local de rangement pendant une longue période.

Mise au rebut

Le produit doit être déposé dans un centre de recyclage pour la récupération des équipements électriques et électroniques.

En veillant à ce que ce produit soit traité de façon adéquate, vous contribuez à réduire l'impact négatif potentiel sur l'environnement et les personnes de la mauvaise gestion des déchets. Pour obtenir de plus amples renseignements sur le recyclage de ce produit, communiquez avec votre municipalité, son service de déchets ménagers ou le magasin où vous avez acheté le produit.

Caractéristiques techniques

Caractéristiques techniques

	LE 322R
Moteur de coupe	
Type de moteur	BLDC (sans balais) 36 V
Régime du moteur – Mode de détection, tr/min	2 600 à 2 900
Régime du moteur – Mode Broyage / Haute qualité, tr/min	3 000 à 3 300
Régime du moteur – Mode puissance maximale, tr/min	3400
Puissance du moteur – Maximal, kW (ch)	2,1 (2,9)
Puissance du moteur – Nominale, kW (ch)	1,25 (1,7)
Limite de surintensité – 1 batterie (limite de courant : 900 W-35 A)	45 A (+/-) 1 A
Limite de surintensité – 2 batteries (limite de courant : 900 W-35 A)	75 A (+/-) 1 A
Moteur d'entraînement	
Puissance du moteur – Nominale, kW (ch)	0,2-0,4 (0,27-0,55)
Vitesse de marche automatique, km/h (mi/h)	0 à 6,4 (0 à 4)
Niveaux de réglage de vitesse	9
Poids	
Poids sans batterie (collecteur d'herbe inclus), kg (lb)	34,3 (75,6)

	LE 322R
Batterie ⁶	
Type de batterie	Batterie série Husqvarna
Autonomie de la batterie	
Autonomie de la batterie, maximale (fonctionnement libre) avec mode de détection activé, avec 2 batteries Husqvarna de 7,5 Ah (BLi30).	75
Coupe	
Hauteur de coupe, po / cm	1,3 à 4,5/3,3 à 11,4
Largeur de coupe, po / cm	20,2/51,3
Lame	Paillis 5375821-41
Contenance de l'ensacheur, litres	65

Batteries approuvées	Type	Capacité de la batterie, Ah	Tension, V	Poids, lb/kg
BLi30	Lithium-ion	7,8	36	4,2/1,9
BLi22	Lithium-ion	4,0	36	2,65/1,2

Chargeurs homologués pour les batteries spécifiques, BLi	Tension d'entrée, V	Fréquence, Hz	Puissance, W
40-C80	100-240	50-60	80
QC250	100 à 240	50-60	250

Distributeur

Husqvarna Professional Products, Inc.
Charlotte, NC 28269 ÉTATS-UNIS

- Rendez-vous sur notre site web à l'adresse : www.husqvarna.com
- Appelez nous sans frais : 1-800-487-5951

Soutien/aide

Si vous avez besoin d'aide ou si vous avez des questions concernant l'utilisation, le fonctionnement, l'entretien ou les pièces pour votre produit :

⁶ Pour obtenir un fonctionnement et des résultats optimaux, la batterie BLi30 Husqvarna est recommandée.



www.husqvarna.com

Original instructions
Instrucciones originales
Instructions d'origine
1143069-49



2023-07-12