



Husqvarna®



K 540i

EN Operator's manual
ES-MX Manual del usuario
FR-CA Manuel d'utilisation

2-35
36-71
72-108

Contents

Introduction.....	2	Troubleshooting.....	29
Safety.....	5	Transportation, storage and disposal.....	31
Assembly.....	13	Technical data.....	32
Operation.....	17	Accessories.....	32
Maintenance.....	26	Supplier's Declaration of Conformity for K 540i.....	33
Service.....	29	Registered trademarks.....	35

Introduction

Owner responsibility



WARNING: Processing of concrete and stone by methods such as cutting, grinding or drilling, especially during dry operation, generates dust that comes from the material being processed, which frequently contains silica. Silica is a basic component of sand, quartz, brick clay, granite and numerous other minerals and rocks. Exposure to excessive amount of such dust can cause:

Respiratory disease (affecting your ability to breathe), including chronic bronchitis, silicosis and pulmonary fibrosis from exposure to silica. These diseases may be fatal;

Skin irritation and rash.

Cancer according to NTP* and IARC* */ National Toxicology Program, International Agency for Research on Cancer.

Take precautionary steps:

Avoid inhalation of and skin contact with dust, mist and fumes.

Wear and ensure that all bystanders wear appropriate respiratory protection such as dust masks designed to filter out microscopic particles. (See OSHA 29 CFR Part 1926.1153)

To minimize dust emissions, use water to bind the dust, when feasible. If dry operation is necessary, use an appropriate dust extractor.

It is the owner's/employer's responsibility that the operator has sufficient knowledge about how to use the product safely. Supervisors and operators must have read and understood the Operator's Manual. They must be aware of:

- The product's safety instructions.
- The product's range of applications and limitations.
- How the product is to be used and maintained.

National/Local regulations could restrict the use of this product. Find out what regulations are applicable where you work before you start using the product.

Product description

The power cutter is a portable handheld cut-off machine. The product is energized by a battery.

The product can be used for wet and dry operations. Refer to *Wet cutting on page 24* and *Dry cutting on page 24*.

The product has embedded connectivity. Refer to *Embedded connectivity on page 4*.

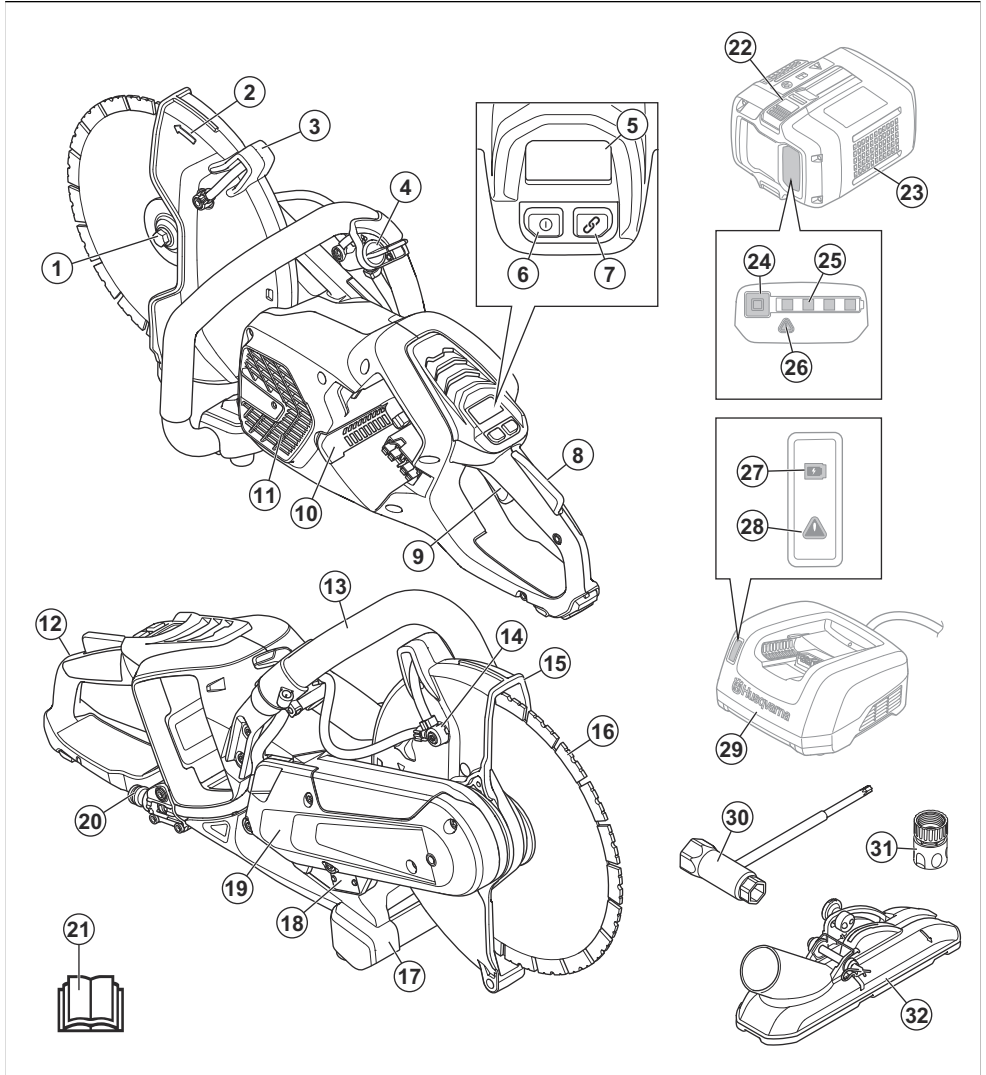
Intended use

The product is used to cut hard materials as concrete, masonry, stone and steel. Do not use the product for other tasks. The product must only be used by professional operators with experience.

Work is constantly in progress to increase your safety and efficiency during operation. Speak to your servicing dealer for more information.

Note: National/Local regulations could restrict the use of this product.

Product overview K 540i



- | | |
|---|----------------------|
| 1. Flange, spindle arbor bushing | 10. Battery slot |
| 2. Spindle direction of rotation | 11. Motor air intake |
| 3. Adjustment handle for blade guard | 12. Rear handle |
| 4. Water valve | 13. Front handle |
| 5. Control panel | 14. Water nozzle |
| 6. On/Off button | 15. Blade guard |
| 7. Accessories On/Off button (not used) | 16. Cutting blade |
| 8. Power trigger lockout | 17. Ground support |
| 9. Power trigger | 18. Type plate |

19. Belt guard
20. Water connection with filter
21. Operator's manual
22. Battery release button
23. Battery (not included)
24. Battery status
25. Indicator for state of charge
26. Warning indicator
27. Indicator for state of charge
28. Warning indicator
29. Battery charger (not included)
30. Combination wrench
31. Water connector, GARDENA
32. Vacuum attachment (not included)



If the product features Bluetooth® wireless technology. The symbol Bluetooth® will be marked on the product name label.



Environmental mark. The product or package of the product is not domestic waste. Recycle it at a recycling location for electrical and electronic equipment.

Note: Other symbols/decals on the product refer to certification requirements for some markets.

Symbols on the product



WARNING: This product can be dangerous and cause serious injury or death to the operator or others. Be careful and use the product correctly.



Read the operator's manual carefully and make sure that you understand the instructions before you use this product.



Use approved protective helmet, hearing protection, eye protection and respiratory protection. Refer to *Personal protective equipment* on page 10.



Dust forms when cutting. The dust can cause injuries if inhaled. Use an approved respiratory protection. Always provide for good ventilation.



Sparks from the cutting blade can cause fire in fuel, wood, clothes, dry grass or other flammable materials.



WARNING! Kickbacks can be sudden, rapid and violent and can cause life threatening injuries. Read and understand the instructions in the manual before using the product. Refer to *Operation on page 17*.

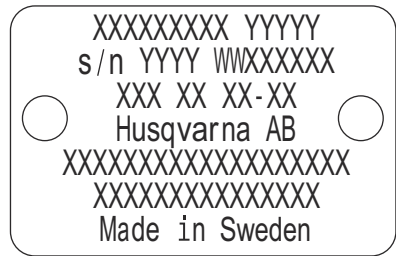


Make sure that the cutting blade does not have cracks or other damages.



Do not use circular saw blades.

Type plate



Row 1: Brand, Model

Row 2: Serial No. with manufacturing date: Year, Week, Sequence No.

Row 3: Product No.

Row 4: Manufacturer

Row 5: n=rated speed output shaft, /min=revolutions per minute, ø=blade diameter, spindle bolt thread.

Row 6: Maximum and nominal Voltage, d.c.=direct current

Row 7: Country of origin

Embedded connectivity

The cloud asset management solution Husqvarna Fleet Services™ gives the fleet manager an overview of all products that are connected via either embedded or aftermarket sensors. The position of the gateway or smartphone can be used to indicate the location of connected products. The sensors record data like runtime, service intervals and more. For more information about the cloud asset management solution Husqvarna Fleet Services™, download the iOS or Android app Husqvarna Fleet Services at <https://apps.apple.com/se/app/husqvarna-fleet-services/id1334672726> or <https://play.google.com/store/apps/details?id=com.husqvarna.hfsmobile&hl=en>.

Speak to your Husqvarna sale representative for more information.

Some types of this product are connected via the embedded Husqvarna Fleet Services™ sensor that has the Bluetooth Low Energy (BLE) function. For more information regarding how to use it, refer to *To use embedded connectivity with Husqvarna Fleet Services™ on page 21*. For information about the BLE technology radio spectrum, refer to *Embedded connectivity on page 32*. For compliance reservations regarding Husqvarna Fleet Services™, refer to *Compliance reservations on page 5*.

Compliance reservations

Note: Changes or modifications made to this equipment not expressly approved by Husqvarna may void the equipment's compliance with FCC regulations, and limit the user's authority to operate the equipment.

Note: This device complies with Part 15 of the FCC Rules and with Industry Canada licence-exempt RSS standard(s).

Operation is subject to the following two conditions:

- this device may not cause harmful interference
- this device must accept any interference received, including interference that may cause undesired operation

Product damage

We are not responsible for damages to our product if:

- the product is incorrectly repaired.
- the product is repaired with parts that are not from the manufacturer or not approved by the manufacturer.
- the product has an accessory that is not from the manufacturer or not approved by the manufacturer.
- the product is not repaired at an approved service center or by an approved authority.

Safety

Safety definitions

Warnings, cautions and notes are used to point out specially important parts of the manual.



WARNING: Used if there is a risk of injury or death for the operator or bystanders if the instructions in the manual are not obeyed.



CAUTION: Used if there is a risk of damage to the product, other materials or the adjacent area if the instructions in the manual are not obeyed.

Note: Used to give more information that is necessary in a given situation.

General power tool safety warnings



WARNING: Read all safety warnings and all instructions. Failure to follow the warnings and instructions may result in electric shock, fire and/or serious injury.

Note: Save all warnings and instructions for future reference. The term "power tool" in the warnings refers to your mains-operated (corded) power tool or battery-operated (cordless) power tool.

Work area safety

- **Keep work area clean and well lit.** Cluttered or dark areas invite accidents.
- **Do not operate power tools in explosive atmospheres, such as in the presence of flammable liquids, gases or dust.** Power tools create sparks which may ignite the dust or fumes.
- **Keep children and bystanders away while operating a power tool.** Distractions can cause you to lose control.

Electrical safety

- **Power tool plugs must match the outlet. Never modify the plug in any way. Do not use any adapter plugs with earthed (grounded) power tools.** Unmodified plugs and matching outlets will reduce risk of electric shock.
- **Avoid body contact with earthed or grounded surfaces, such as pipes, radiators, ranges and refrigerators.** There is an increased risk of electric shock if your body is earthed or grounded.
- **Do not expose power tools to rain or wet conditions.** Water entering a power tool will increase the risk of electric shock.
- **Do not abuse the cord. Never use the cord for carrying, pulling or unplugging the power tool. Keep cord away from heat, oil, sharp edges or moving parts.** Damaged or entangled cords increase the risk of electric shock.
- **When operating a power tool outdoors, use an extension cord suitable for outdoor use.** Use of a

cord suitable for outdoor use reduces the risk of electric shock.

- **If operating a power tool in a damp location is unavoidable, use a residual circuit interrupter (RCD) protected supply.** Use of a RCD reduces the risk of electric shock



WARNING: Do not pressure wash the machine, as water can enter the electrical system or the motor and cause damage to the machine or short circuit.

- **Remain at a distance from the blade when the motor is running.**

Power tool use and care

- **Do not force the power tool. Use the correct power tool for your application.** The correct power tool will do the job better and safer at the rate for which it was designed.
- **Do not use the power tool if the switch does not turn it on and off.** Any power tool that cannot be controlled with the switch is dangerous and must be repaired.
- **Disconnect the plug from the power source and/or the battery pack from the power tool before making any adjustments, changing accessories, or storing power tools.** Such preventive safety measures reduce the risk of starting the power tool accidentally.
- **Store idle power tools out of the reach of children and do not allow persons unfamiliar with the power tool or these instructions to operate the power tool.** Power tools are dangerous in the hands of untrained users.
- **Maintain power tools. Check for misalignment or binding of moving parts, breakage of parts and any other condition that may affect the power tool's operation. If damaged, have the power tool repaired before use.** Many accidents are caused by poorly maintained power tools.
- **Keep cutting tools sharp and clean.** Properly maintained cutting tools with sharp cutting edges are less likely to bind and are easier to control.
- **Use the power tool, accessories and tool bits etc. in accordance with these instructions, taking into account the working conditions and the work to be performed.** Use of the power tool for operations different from those intended could result in a hazardous situation.
- **Keep handles and grasping surfaces dry, clean and free from oil and grease.** Slippery handles and grasping surfaces do not allow for safe handling and control of the tool in unexpected situations.
- **Under no circumstances should you modify the original design of the machine without approval from the manufacturer.** Always use original spare parts. Unauthorized modifications and/or accessories may lead to serious injury or death to the user or others.
- **Make sure that no pipes or electrical cables are routed in the working area or in the material to be cut.**
- **Always check and mark out where gas pipes are routed.** Cutting close to gas pipes always entails danger. Make sure that sparks are not caused when cutting in view of the risk of explosion. Remain concentrated and focused on the task. Carelessness can result in serious personal injury or death.

Personal safety

- **Stay alert, watch what you are doing and use common sense when operating a power tool. Do not use a power tool while you are tired or under the influence of drugs, alcohol or medication.** A moment of inattention while operating power tools may result in serious personal injury.
- **Use personal protective equipment. Always wear eye protection.** Protective equipment such as dust mask, non-skid safety shoes, hard hat, or hearing protection used for appropriate conditions will reduce personal injuries.
- **Prevent unintentional starting. Ensure the switch is in the OFF-position before connecting to a power source and/or battery pack, picking up or carrying the tool.** Carrying power tools with your finger on the switch or energizing power tools that have the switch on invites accidents.
- **Remove any adjusting key or wrench before turning the power tool on.** A wrench or a key left attached to a rotating part of the power tool may result in personal injury.
- **Do not overreach. Keep proper footing and balance at all times.** This enables better control of the power tool in unexpected situations.
- **Dress properly. Do not wear loose clothing or jewellery. Keep your hair, clothing and gloves away from moving parts.** Loose clothes, jewellery or long hair can be caught in moving parts.
- **If devices are provided for the connection of dust extraction and collection facilities, ensure these are connected and properly used.** Use of dust collection can reduce dust-related hazards.
- **Do not let familiarity gained from frequent use of tools allow you to become complacent and ignore tool safety principles.** A careless action can cause severe injury within a fraction of a second.
- **The vibration emission during actual use of the power tool can differ from the declared total value depending on the ways in which the tool is used.** Operators should identify safety measures to protect themselves that are based on an estimation of exposure in the actual conditions of use (taking account of all parts of the operating cycle such as the times when the tool is switched off and when it is running idle in addition to the trigger).

Battery tool use and care

- **Recharge only with the charger specified by the manufacturer.** A charger that is suitable for one type of battery pack may create a risk of fire when used with another battery pack.
- **Use power tools only with specifically designated battery packs.** Use of any other battery packs may create a risk of injury and fire.
- **When battery pack is not in use, keep it away from other metal objects, like paper clips, coins, keys, nails, screws or other small metal objects, that can make a connection from one terminal to another.** Shorting the battery terminals together may cause burns or a fire.
- **Under abusive conditions, liquid may be ejected from the battery; avoid contact. If contact accidentally occurs, flush with water. If liquid contacts eyes, additionally seek medical help.** Liquid ejected from the battery may cause irritations or burns.
- **Do not use a battery pack or tool that is damaged or modified.** Damaged or modified batteries may exhibit unpredictable behaviour resulting in fire, explosion or risk of injury.
- **Do not expose a battery pack or tool to fire or excessive temperature.** Exposure to fire or temperature above 130 °C / 265 °F may cause explosion.
- **Follow all charging instructions and do not charge the battery pack or tool outside the temperature range specified in the instructions.** Charging improperly or at temperatures outside the specified range may damage the battery and increase the risk of fire.

Service

- **Have your power tool serviced by a qualified repair person using only identical replacement parts.** This will ensure that the safety of the power tool is maintained.
- **Never service damaged battery packs.** Service of battery packs should only be performed by the manufacturer or authorized service providers.

Cut-off machine safety warning

- **The guard provided with the tool must be securely attached to the power tool and positioned for maximum safety so the least amount of wheel is exposed towards the operator. Position yourself and bystanders away from the plane of the rotating wheel.** The guard helps to protect operator from broken wheel fragments and accidental contact with the wheel.
- **Use only bonded reinforced or diamond cut-off wheels for your power tool.** Just because an accessory can be attached to your power tool, it does not assure safe operation.
- **The rated speed of the accessory must be at least equal to the maximum speed marked on the power**

tool. Accessories running faster than their rated speed can break and fly apart.

- **Wheels must be used only for recommended applications. For example, do not grind with the side of the cut-off wheel.** Abrasive cut-off wheels are intended for peripheral grinding, side forces applied to these wheels may cause them to shatter.
- **Always use undamaged wheel flanges that are of correct diameter for your selected wheel.** Proper wheel flanges support the wheel thus reducing the possibility of wheel breakage.
- **Do not use worn down reinforced wheels from larger power tools.** Wheels intended for a larger power tool are not suitable for the higher speed of a smaller tool and may burst.
- **The outside diameter and the thickness of your accessory must be within the capacity rating of your power tool.** Incorrectly sized accessories cannot be adequately guarded or controlled.
- **The arbour size of wheels and flanges must properly fit the spindle of the power tool.** Wheels and flanges with arbour holes that do not match the mounting hardware of the power tool will run out of balance, vibrate excessively and may cause loss of control.
- **Do not use damaged wheels. Before each use, inspect wheels for chips and cracks. If power tool or wheel is dropped, inspect for damage or install an undamaged wheel. After inspecting and installing the wheel, position yourself and bystanders away from the plane of the rotating wheel and run the power tool at maximum no load speed for one minute.** Damaged wheels will normally break apart during this test time.
- **Wear personal protective equipment. Depending on application, use face shield, safety goggles or safety glasses. As appropriate, wear dust mask, hearing protectors, gloves and shop apron capable of stopping small workpiece fragments.** The eye protection must be capable of stopping flying debris generated by various operations. The dust mask or respirator must be capable of filtering particles generated by your operation. Prolonged exposure to high intensity noise may cause hearing loss.
- **Keep bystanders a safe distance away from work area. Anyone entering the work area must wear personal protective equipment.** Fragments of workpiece or a broken wheel may fly away and cause injury beyond immediate area of operation.
- **Hold the power tool by insulated gripping surfaces only, when performing an operation where the cutting accessory may contact hidden wiring.** Cutting accessory contacting a "live" wire may make exposed metal parts of the power tool "live" and could give the operator an electric shock.
- **Position the cord clear of the spinning accessory.** If you lose control, the cord may be cut or snagged and your hand or arm may be pulled into the spinning wheel.
- **Never lay the power tool down until the accessory has come to a complete stop.** The spinning wheel

may grab the surface and pull the power tool out of your control.

- **Do not run the power tool while carrying it at your side.** Accidental contact with the spinning accessory could snag your clothing, pulling the accessory into your body.
- **Regularly clean the power tool's air vents.** The motor's fan will draw the dust inside the housing and excessive accumulation of powdered metal may cause electrical hazards.
- **Do not operate the power tool near flammable materials.** Sparks could ignite these materials.

Kickback and related warnings

- **Kickback is a sudden reaction to a pinched or snagged rotating wheel.** Pinching or snagging causes rapid stalling of the rotating wheel which in turn causes the uncontrolled power tool to be forced in the direction opposite of the wheel's rotation at the point of the binding.
- **For example, if an abrasive wheel is snagged or pinched by the workpiece, the edge of the wheel that is entering into the pinch point can dig into the surface of the material causing the wheel to climb out or kick out.** The wheel may either jump toward or away from the operator, depending on direction of the wheel's movement at the point of pinching. Abrasive wheels may also break under these conditions.
- **Kickback is the result of power tool misuse and/or incorrect operating procedures or conditions and can be avoided by taking proper precautions as given below.**
- **Maintain a firm grip on the power tool and position your body and arm to allow you to resist kickback forces.** Always use auxiliary handle, if provided, for maximum control over kickback or torque reaction during start-up. The operator can control torque reactions or kickback forces, if proper precautions are taken.
- **Never place your hand near the rotating accessory.** Accessory may kickback over your hand.
- **Do not position your body in line with the rotating wheel.** Kickback will propel the tool in direction opposite to the wheel's movement at the point of snagging.
- **Use special care when working corners, sharp edges etc.** Avoid bouncing and snagging the accessory. Corners, sharp edges or bouncing have a tendency to snag the rotating accessory and cause loss of control or kickback.
- **Do not attach a saw chain, woodcarving blade, segmented diamond wheel with a peripheral gap greater than 10 mm or toothed saw blade.** Such blades create frequent kickback and loss of control.
- **Do not "jam" the wheel or apply excessive pressure.** Do not attempt to make an excessive depth of cut. Overstressing the wheel increases the loading and susceptibility to twisting or binding of the wheel in

the cut and the possibility of kickback or wheel breakage.

- **When wheel is binding or when interrupting a cut for any reason, switch off the power tool and hold the power tool motionless until the wheel comes to a complete stop.** Never attempt to remove the wheel from the cut while the wheel is in motion otherwise kickback may occur. Investigate and take corrective action to eliminate the cause of wheel binding.
- **Do not restart the cutting operation in the workpiece.** Let the wheel reach full speed and carefully re-enter the cut. The wheel may bind, walk up or kickback if the power tool is restarted in the workpiece.
- **Support panels or any oversized workpiece to minimize the risk of wheel pinching and kickback.** Large workpieces tend to sag under their own weight. Supports must be placed under the workpiece near the line of cut and near the edge of the workpiece on both sides of the wheel.
- **Use extra caution when making a "pocket cut" into existing walls or other blind areas.** The protruding wheel may cut gas or water pipes, electrical wiring or objects that can cause kickback.

General safety instructions



WARNING: Read the warning instructions that follow before you use the product.

- A power cutter is a dangerous tool if used carelessly or incorrectly and can cause serious injury or death. It is very important that you read and understand the contents of this operator's manual. It is also recommended that first time operators also obtain practical instruction before using the product.
- Do not do modifications to this product. Modifications that are not approved by the manufacturer, can cause serious injury or death.
- Do not operate the product if it is possible that other persons have done modifications to the product.
- Always use original accessories and spare parts. Accessories and spare parts that are not approved by the manufacturer, can cause serious injury or death.
- Keep the product clean. Make sure that you can clearly read signs and decals.
- Never allow children or other persons not trained in the use of the product to use or service it.
- Do not let a person operate the product unless they read and understand the contents of the operator's manual.
- Only let approved persons operate the product.
- The safety distance for the power cutter is 15 m/50 ft. Make sure that animals and bystanders are not in the work area.
- This product produces an electromagnetic field during operation. This field can under some circumstances interfere with active or passive

medical implants. To decrease the risk of serious injury or death, we recommend persons with medical implants to speak to their physician and the medical implant manufacturer before operating this product.

- The information in this operator's manual is never a substitute for professional skills and experience. If you are in a situation where you feel unsafe, stop and get expert advice. Speak to your servicing dealer. Do not try any task that you feel unsure of.

Battery safety



WARNING: Read the warning instructions that follow before you use the product.



WARNING: A damaged battery can cause an explosion and cause injury. If the battery has a deformation or is damaged, speak to an approved Husqvarna service agent.

- Only use the Husqvarna BLi batteries that we recommend for your product. The batteries are software encrypted.
- Use only original batteries for this product. There is a risk of explosion if the batteries are replaced with a battery of incorrect type. Speak to your dealer for more information.
- Use Husqvarna BLi batteries that are rechargeable as a power supply for the related Husqvarna products only. To prevent injury, do not use the battery as a power supply for other devices.
- Risk of electrical shock. Do not connect the battery terminals to keys, screws or other metal. This can cause a short circuit of the battery.
- If the battery leaks, do not let the liquid touch your body, clothes or the product. If you touch the liquid, clean the area with a large quantity of water and get medical aid.
- Use protective glasses when you are near batteries. If you get liquid in your eyes, do not rub but flush with water for a minimum of 15 minutes. Get medical aid.
- Do not use batteries that are non-rechargeable.
- Do not do modifications to the battery.
- Do not put objects into the air slots of the battery.
- Keep the battery away from sunlight, heat or open flame. The battery can cause an explosion and cause burns and/or chemical burns.
- Keep the battery away from rain and wet conditions.
- Keep the battery away from microwaves and high pressure.
- Do not try to disassemble or break the battery.
- Use the battery only when the ambient temperature is between -10 °C / 14°F and 40 °C / 104 °F.

- Do not clean the battery or the battery charger with water. Refer to *To clean the battery and the battery charger on page 27*.
- Do not use batteries that are damaged or do not operate correctly.
- Keep batteries in storage away from metal objects such as nails, screws or jewelry.
- Keep the battery away from children.
- Attach the battery correctly. An incorrectly attached battery can cause a short circuit of the battery.

Battery charger safety



WARNING: Read all safety warnings and all instructions. Failure to follow the warnings and instructions may result in electrical shock, fire and/or serious injury.

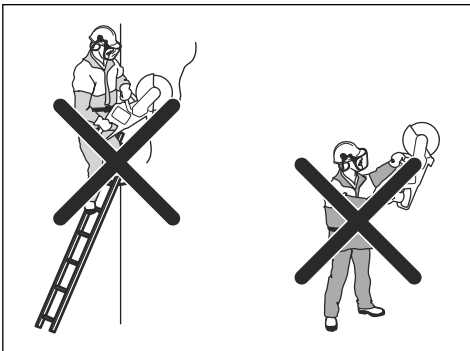
- Risk of electrical shock or short circuit if the safety instructions are not obeyed.
- Do not use other battery chargers than the one supplied for your product. Only use Husqvarna QC chargers to charge Husqvarna replacement batteries.
- Do not try to disassemble the battery charger.
- Do not use a battery charger that is damaged or does not operate correctly.
- Do not lift the battery charger by the power cord. To disconnect the battery charger from a mains socket, pull out the plug. Do not pull the power cord.
- Keep all cables and extension leads away from water, oil and sharp edges. Make sure that the cable is not caught between doors, fences or equivalent.
- Do not use the battery charger near flammable materials or materials that can cause corrosion. Make sure that the battery charger is not covered. Pull out the plug to the battery charger if there is smoke or fire.
- Only charge the battery indoors in a location with good airflow and away from sunlight. Do not charge the battery outdoors. Do not charge the battery in wet conditions.
- Only charge the battery when the ambient temperature is between 5 °C / 41 °F and 40 °C / 104 °F. Use the charger in an environment which has a good airflow, is dry and free from dust.
- Do not put objects into the air slots of the battery charger.
- Do not connect the battery charger terminals to metal objects as this can short circuit the battery charger.
- Do not charge non-rechargeable batteries in the battery charger or use them in the machine.
- Use approved mains sockets that are not damaged.

Safety instructions for operation



WARNING: Read all safety warnings and all instructions. Failure to follow the warnings and instructions may result in electrical shock, fire and/or serious injury.

- Do not cut asbestos materials.
- When dry cutting, make sure the dust is removed safely.
- The information in this manual is not a replacement for professional knowledge and experience. If you do not feel safe in the situation that you are in, stop the product. Do not use the product in unknown situations.
- Turn to your servicing dealer or Husqvarna if you have questions about the operation of the product. We can give you information about how to operate your product safely with best result.
- Do not use a product, battery or battery charger that is damaged or does not operate correctly.
- Do not touch a rotating cutting blade. It can cause serious injuries or death.
- Do not use the product in bad weather, for example, heavy fog or rain, strong wind and intense cold. Bad weather add risks such as ice on the ground.
- Do not start a product unless all covers and guards are assembled correctly.
- Look around you. Make sure that there is no risk that persons or animals touch or influence on your control of the product.
- Do not let children use or be near the product. The product is easy to start. This can mean a risk of serious injury.
- Remove the battery when you do not have full view of the product. Remove the battery if you will not use the product for a long time.
- You must be stable on your feet in order to have full control of the product. Do not use the product if you are on a ladder. Do not use the product if you are not on stable ground.
- Do not use the product above shoulder height.



- If you are not careful, the risk of kickback increases.



- Do not hold the product with one hand. This product is not safely controlled with one hand.
- Do not use a product in a situation where you can not get for support if an accident occurs.
- Make sure that you can move around safely. Examine the conditions and the terrain around you for possible obstacles.
- Overexposure to vibration can lead to circulatory damage or nerve damage in people who have impaired circulation. Contact your doctor if you experience symptoms of overexposure to vibration. Such symptoms include numbness, loss of feeling, tingling, pricking, pain, loss of strength, changes in skin colour or condition. These symptoms normally appear in the fingers, hands or wrists. These symptoms may be increased in cold temperatures.
- It is not possible to include each possible situation you can face when you use this product. Always be careful and use your common sense.

- **Note:** After operating the tool, hearing protection must be lifted immediately when sawing is completed to hear sounds and warning signals can be heard.

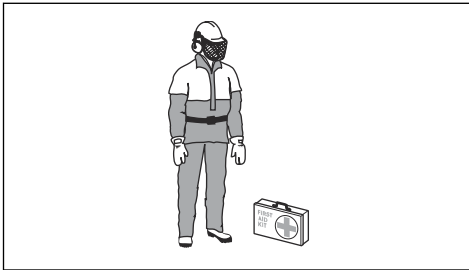
Personal protective equipment



WARNING: Read the warning instructions that follow before you use the product.

- Always use approved personal protective equipment during operation. Personal protective equipment cannot eliminate the risk of injury but it will reduce the degree of injury if an accident does happen. Ask your servicing dealer for help in choosing the right equipment.
- Use an approved protective helmet.
- Use approved hearing protection. Long-term exposure to noise can result in permanent hearing impairment. Be aware of warning signals or shouts when you are wearing hearing protection. Always remove your hearing protection as soon as the motor stops.

- Use approved eye protection to decrease the risk of injury from thrown objects. If you use a face shield then you must also wear approved protective goggles. Approved protective goggles must comply with standard ANSI Z87.1 in the USA or EN 166 in EU countries. Visors must comply with standard EN 1731.
- Use heavy duty gloves.
- Use approved respiratory protection. The use of products such as cutters, grinders, drills, that sand or form material can generate dust and vapours which may contain hazardous chemicals. Check the nature of the material you intend to process and use appropriate breathing mask.
- Use tight-fitting, heavy-duty and comfortable clothing that permits full freedom of movement. Cutting generates sparks that can ignite clothing. Husqvarna recommends that you wear flame-retardant cotton or heavy denim. Do not wear clothing made of material such as nylon, polyester or rayon. If ignited such material can melt and cling to the skin. Do not wear shorts.
- Use boots with steel toe-cap and non-slip sole.
- Always keep a first aid kit near.



- Sparks can come from the cutting blade. Always have a fire extinguishing available.

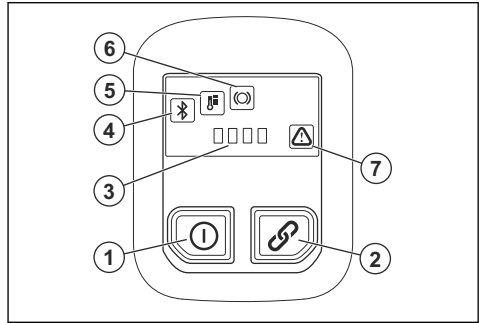
Safety devices on the product



WARNING: Read the warning instructions that follow before you use the product.

- Do not use a product with safety devices that are damaged or do not operate correctly.
- Do a check of the safety devices regularly. If the safety devices are damaged or do not operate correctly, speak to your Husqvarna approved service agent.
- Do not change the safety devices.
- Do not use the product if protective plates, protective covers, safety switches or other protective devices are damaged or not attached.

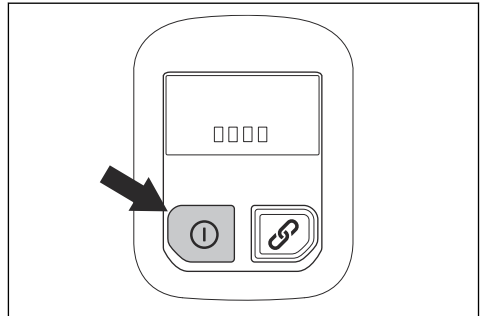
Functions of the control panel



1. On/Off button.
2. Accessories On/Off button (not used).
3. Battery status indicator.
4. Bluetooth®. Refer to *Bluetooth® wireless technology on page 21*.
5. Temperature warning indicator, high or low. Refer to *LED indicators on the control panel on page 30*.
6. X-Halt warning. Refer to *Troubleshooting on page 29*.
7. Error/Warning indicator. Refer to *Troubleshooting on page 29*.

To do a check of the control panel

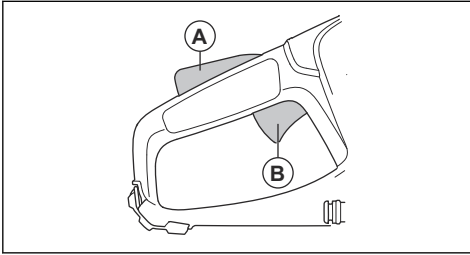
1. Push and hold the On/Off button until the LED comes on. Refer to *To start the product on page 24*.
2. Push and hold the On/Off button until the LED goes off.



Power trigger lockout

The power trigger lockout prevents accidental operation of the power trigger. If you put your hand around the handle and press the power trigger lockout (A), it releases the power trigger (B). If you release the handle,

the power trigger and the power trigger lockout move back to their initial positions.



Automatic stop function

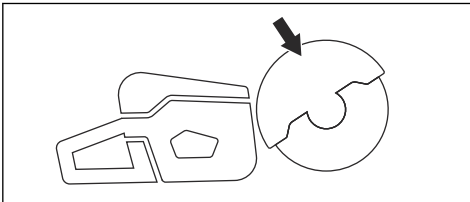
The product has an automatic stop function that stops the product if you do not use it for 3 minutes.

Blade guard



WARNING: Make sure that the blade guard is correctly attached before you start the product. Do not use the product if the blade guard is missing, has cracks or other damage.

The blade guard is installed above the cutting blade. The blade guard prevents injury if parts of the blade or pieces from the cut material are thrown in the direction of the operator.



To examine the blade and the blade guard



WARNING: A damaged cutting blade can cause injury.

1. Make sure that the cutting blade is attached correctly and does not show signs of damage.
2. Make sure that the blade guard has no cracks or is damaged.
3. Replace the blade guard if it is damaged.

Vibration safety



WARNING: Read the warning instructions that follow before you use the product.

- During operation of the product, vibrations go from the product to the operator. Regular and frequent operation of the product can cause or increase the degree of injuries to the operator. Injuries can occur in fingers, hands, wrists, arms, shoulders, and/or nerves and blood supply or other body parts. The injuries can be debilitating and/or permanent, and can increase gradually during weeks, months or years. Possible injuries include damage to the blood circulation system, the nervous system, joints, and other body structures.
- Symptoms can occur during operation of the product or at other times. If you have symptoms and continue to operate the product, the symptoms can increase or become permanent. If these or other symptoms occur, get medical aid:
 - Numbness, loss of feeling, tingling, pricking, pain, burning, throbbing, stiffness, clumsiness, loss of strength, changes in skin color or condition.
- Symptoms can increase in cold temperatures. Use warm clothing and keep your hands warm and dry when you operate the product in cold environments.
- Do maintenance on and operate the product as given in the operator's manual, to keep a correct vibration level.
- Let the product do the work. Do not push the product with force. Hold the product at the handles lightly, but make sure that you control the product and operate it safely.
- Keep your hands on the handles only. Keep all other body parts away from the product.
- Stop the product immediately if strong vibrations suddenly occurs. Do not continue the operation before the cause of the increased vibrations is removed.
- To cut granite or hard concrete causes more vibration in the product than if you cut soft concrete. Cutting equipment that is blunt, damaged, of incorrect type or incorrectly sharpened, increases the vibration level

Safety instructions for maintenance



WARNING: Read the warning instructions that follow before you do maintenance on the product.

- Remove the battery before you do maintenance, other checks or assemble the product.
- The operator must only do the maintenance and servicing shown in this operator's manual. Turn to your servicing dealer for maintenance and servicing of a larger extension.
- Do not clean the battery or the battery charger with water. Strong detergent can cause damage to the plastic.

- If you do not do maintenance, it decreases the life cycle of the product and increases the risk of accidents.
- Special training is necessary for all servicing and repair work, especially for the safety devices on the product. If not all checks in this operator's manual are approved after you have done maintenance, turn to your servicing dealer. We guarantee that there are professional repairs and servicing available for your product.
- Only use original spare parts.

approved by Husqvarna may void the FCC authorization to operate this equipment.

Notice: This device complies with Part 15 of FCC Rules and with Industry Canada licence-exempt RSS standard. Operation is subject to the following two conditions:

- This device may not cause harmful interference
- This device must accept any interference received, including interference that cause undesired operation.

Le présent appareil est conforme aux CNR d'Industrie Canada applicables aux appareils radio exempts de licence. L'exploitation est autorisée aux deux conditions suivantes:

- l'appareil ne doit pas produire de brouillage, et
- l'appareil doit accepter tout brouillage radioélectrique subi, même si le brouillage est susceptible d'en compromettre le fonctionnement.

Bluetooth®



CAUTION: Changes or modifications made to this equipment not expressly

Assembly

Cutting blades



WARNING: Always use protective gloves when you assemble the product.



WARNING: A cutting blade can break and cause injury to the operator.



WARNING: Examine the cutting blade for cracks, lost segments distortion or unbalance prior to use and immediately after striking an unintended object. Do not use a damaged cutting blade. After inspecting and installing the cutting blade, position yourself and bystanders away from the plane of the rotating cutting blade and run the power tool at maximum no load speed for one minute.



WARNING: The cutting blade manufacturer gives warnings and recommendations for the operation and correct maintenance of the cutting blade. Those warnings are supplied with the cutting blade. Read and obey the instructions that are supplied with the cutting blade.

Cutting blade vibration



CAUTION: If you use the product with too much force, the cutting blade can become too hot, bend and cause vibrations. Use the product with less force.

If the vibrations continue, replace the cutting blade.

Applicable cutting blades



CAUTION: Use Husqvarna recommended cutting blades for K 540i and the material to be cut. The recommended cutting blades decrease the risk of serious injury and increase the cutting and X-halt performance. If general high speed cutting blades are used, the performance and cutting quality will decrease.



WARNING: Only use diamond blades and abrasive blades for concrete and metal. Do not use blades with serrations such as circular wood cutting blades or blades with carbide tips. The risk of kickback is increased and carbide tips can come off and be thrown at high speed. This can result in injury or death.



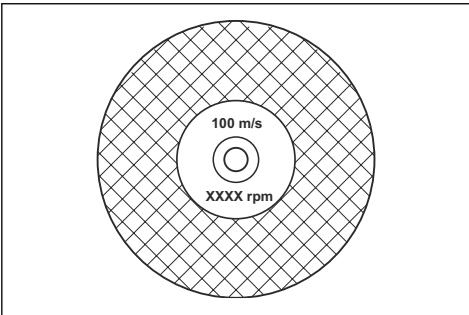
WARNING: Never use a cutting blade for any other materials than what it was intended to cut.



WARNING: Use only cutting blades that comply with applicable national or regional standards, for example EN12413, ANSI B7.1. or EN13236.



WARNING: Do not use a cutting blade with a rated speed value lower than that of the product. The rated speed value of the cutting blade is marked on the cutting blade and that of the product is marked on the type plate.

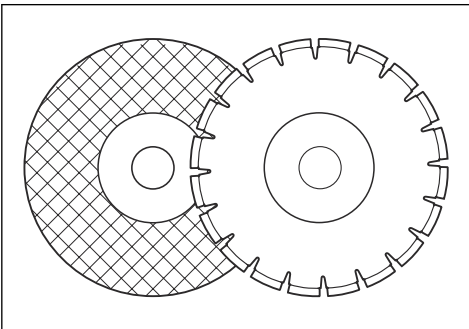


Note: Many cutting blades that can be attached to this product are made for stationary saws. The rated speed value of those cutting blades is too low for this product.



WARNING: Do not use cutting blades with thickness exceeding maximum recommended thickness. Refer to *Technical data* on page 32.

- Cutting blades applicable to this product are available in two basic models; bonded abrasive blades and diamond blades.



- Make sure that the cutting blade has the correct center hole dimension for the installed arbor bushing.

Abrasive blades



WARNING: Do not use abrasive blades with water. Water or moisture decreases the

strength of the abrasive blade and increases the risk that the blade breaks.



CAUTION: Cutting with abrasive blade is not permitted with the Vac attachment. Use of abrasive blade causes too much wear on the Vac attachment.

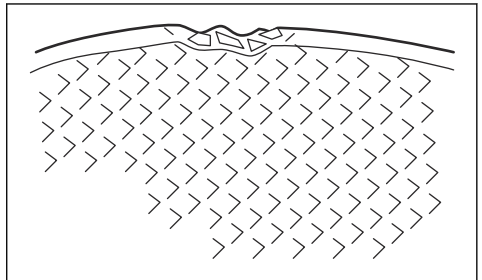


WARNING: Use correct abrasive blade on correct material.

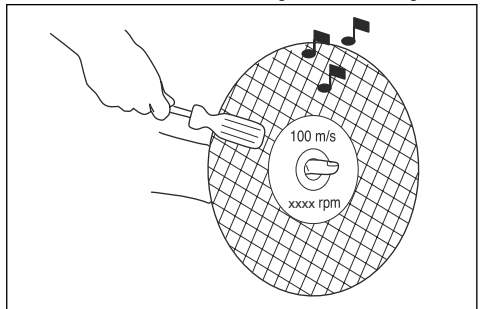
- Do not use wheels from larger power tools. Wheels of a larger power tool are not correct for the higher speed of a smaller tool and may break.
- The cutting material on abrasive blades is bonded with natural material that have a gravel bonded agent. Blades that are made up of a fabric or fibre are stronger. This type of blade does not break if the blade gets cracks or becomes damaged during operation.
- The performance of a cutting blade is given by the dimension of abrasive grain, and the type and hardness of the bonding agent.

To examine a bonded abrasive cutting blade

- Make sure that there are no cracks or damages on the cutting blade.



- Hang the cutting blade on your finger and hit the cutting blade lightly with a screwdriver. If you do not hear a clear sound, the cutting blade is damaged.



Diamond blades

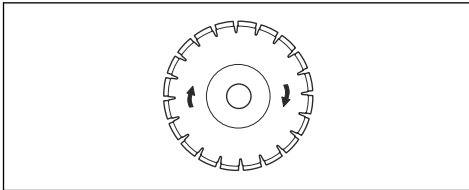


WARNING: Diamond blades become very hot when used. A diamond blade that is too hot gives bad performance, blade damage and is a safety risk.



WARNING: Do not use diamond blades to cut plastic material. The hot diamond blade can melt the plastic, which can cause a kickback.

- Diamond blades have a steel core with segments that are made of industrial diamonds.
- Diamond blades are used for masonry, reinforced concrete and stone.
- Make sure that the diamond blade rotates in the direction of the arrows shown on the diamond blade.



- Always use a sharp diamond blade.
- Diamond blades can become blunt if you use an incorrect feeding pressure or when you cut materials such as hard reinforced concrete. If you use a blunt diamond blade it becomes too hot, which can cause the diamond segments to come loose.

To sharpen the cutting blade

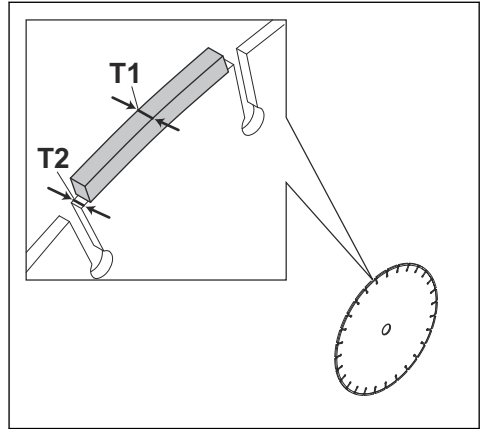
Note: For the best cutting results, use a sharp cutting blade.

- To sharpen the cutting blade, cut into soft material, such as sandstone or brick.

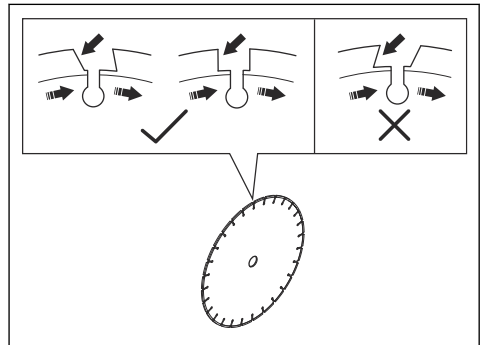
Diamond blade - requirements



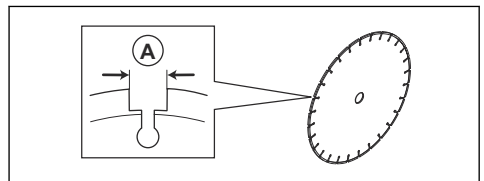
WARNING: Make sure the diamond segment (T1) is wider than the blade (T2). This is to prevent pinching in the cutting slot and a kickback.



WARNING: Do not use diamond blades with positive rake angles.



WARNING: Do not use diamond blades with greater gap between segments than max 10 mm (A).

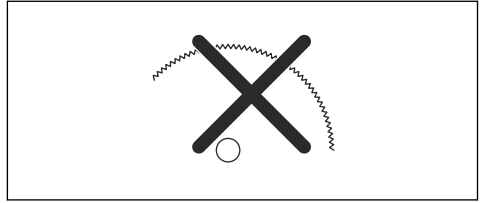


WARNING: Do not use diamond blades with greater blade thickness than recommended maximum, refer to .



WARNING: Some cutting situations and worn blades may cause increased wear

on the side of the segments. Replace the blade before it is worn out.



Use of this power cutter with a carbide tipped blade is a violation of work safety regulations.

Due to the hazardous nature and exigent circumstances involved with fire fighting and rescue operations conducted by the various highly trained public safety forces, safety professionals (fire departments), Husqvarna is aware that they may use this power cutter with carbide tipped blades in certain emergency situations due to the ability of carbide tipped blades to cut many different types of obstructions and materials in combination without having to take time to switch blades or machines. When using this power cutter be aware at all times that carbide tipped blades are more kickback prone than diamond blades if not used properly. Carbide tipped blades can also throw pieces of material away from the blade.

For these reasons, a power cutter equipped with a carbide tipped blade should never be used except by highly trained public safety professionals who are aware of the risks associated with its use and then only in those exigent circumstances when other tools are deemed inefficient and ineffective for fire or rescue operations. A power cutter equipped with a carbide tipped blade should never be used to cut wood in non-rescue operations.

To examine the spindle shaft and the flange washers



WARNING: Use only Husqvarna flange washers with a minimum diameter of 67 mm/2.6 in.



WARNING: Do not use damaged, worn or dirty flange washers. Use only flange washers of the same dimension. Incorrect flange washers can cause the cutting blade to become damaged or come loose.

Examine the spindle shaft and the flange washers when you replace the cutting blade.

Diamond blades for wet cutting



WARNING: Always use a blade flange dimension that is specified for the current blade dimension. Do not use blade flanges that are damaged.

During the operation, the friction causes the diamond blade to become very hot. If the diamond blade becomes too hot, it will decrease the blade tension or make the core crack.

Let the diamond blade become cool before you touch it.

- Diamond blades for wet cutting must be used with water to keep the diamond blade core and segments cool during cutting. Diamond blades for wet cutting can not be used dry.
- If you use diamond blades for wet cutting without water, the diamond blade can become too hot. This gives bad performance, blade damage and is a safety risk.

Diamond blades for dry cutting

- For diamond blades for dry cutting it is necessary to have a sufficient airflow around the cutting blade to decrease the temperature. Because of this, diamond blades for dry cutting are recommended only for intermittent operation. After some seconds of operation, it is necessary to let the diamond blade rotate freely, away from the cut. This lets the airflow around the blade decrease the temperature of the diamond blade.

Toothed blades

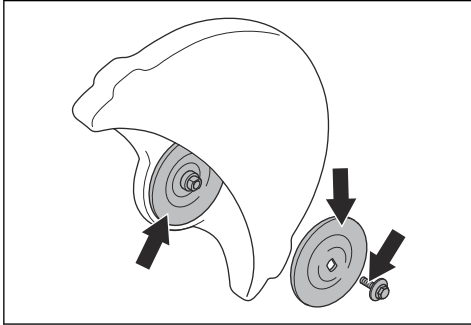


WARNING: Never use toothed blades such as wood cutting blades, circular toothed blades, carbide tipped blades, etc. The risk of kickback is significantly increased and tips can be torn off and thrown at high speed. Carelessness can result in serious personal injury or even death.



WARNING: Government regulation requires a different type of guarding for carbide tipped blades not available on power cutters – a 360 degree guard. Power Cutters (this saw) use diamond blades and have a different guarding system which does not provide protection against the dangers presented by wood cutting blades.

1. Make sure that the threads on the spindle shaft are not damaged. Replace damaged parts.



2. Make sure that the areas of contact on the cutting blade and the flange washers are not damaged. Replace damaged parts.
3. Make sure that the flange washers are clean and of the correct dimension.
4. Make sure that the flange washers move freely on the spindle shaft.

To install the cutting blade

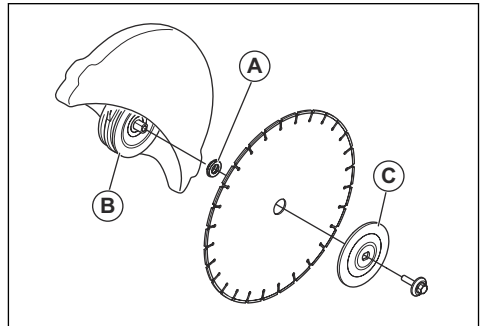


WARNING: Make sure that the motor is off and that the battery is disconnected.

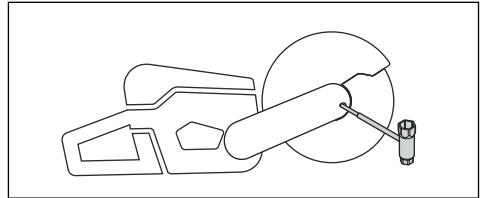


WARNING: Always use protective gloves when you assemble the product.

1. Examine the flange washers and the spindle shaft. Refer to *To examine the spindle shaft and the flange washers on page 16.*
2. Put the cutting blade on the arbor bushing (A) between the inner flange washer (B) and the flange washer (C). Turn the flange washer until it holds on to the shaft.



3. Put a tool into the hole in the belt guard and turn the cutting blade until the shaft is locked.



4. Tighten the cutting blade bolt to 30 Nm/18.5 ft-lb.

Operation

Introduction



WARNING: Read and understand the safety chapter before you use the product.

Kickback



WARNING: Kickbacks are sudden and can be very violent. The power cutter can be thrown up and back towards the user in a rotating motion causing serious or even fatal injury. It is vital to understand what causes kickback and how to avoid it before using the product.

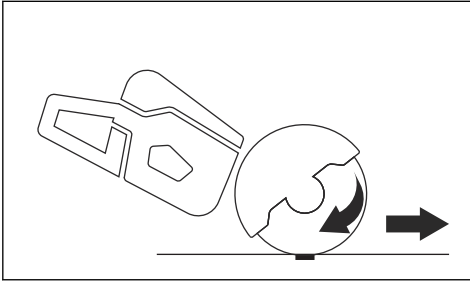
Kickback is the sudden upward motion that can occur if the blade is pinched or stalled in the kickback zone. Most kickbacks are small and pose little danger. However a kickback can also be very violent and throw

the power cutter up and back towards the user in a rotating motion causing serious or even fatal injury.

Reactive force

A reactive force is always present when cutting. The force pulls the product in the opposite direction to the blade rotation. Most of the time this force is insignificant. If the blade is pinched or stalled, the reactive force will

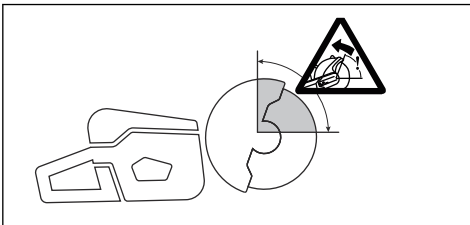
be strong and you might not be able to control the power cutter.



Never move the product when the cutting equipment is rotating. Gyroscopic forces can obstruct the intended movement

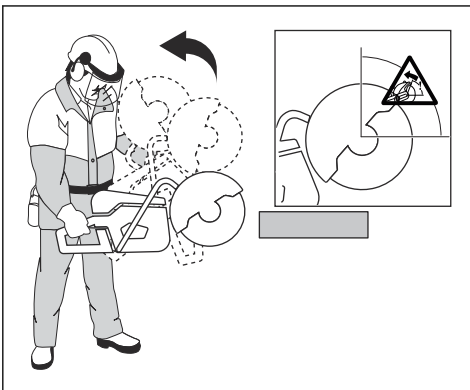
Kickback zone

Never use the kickback zone of the blade for cutting. If the blade is pinched or stalled in the kickback zone, the reactive force will push the power cutter up and back towards the user in a rotating motion causing serious or even fatal injury.



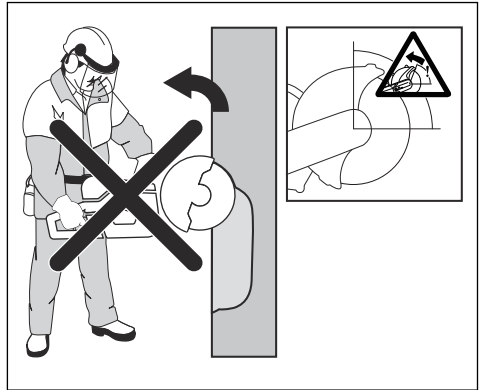
Rotational kickback

A rotational kickback occurs when the cutting blade does not move freely in the kickback zone.



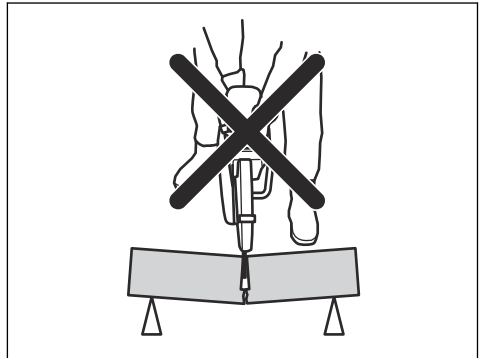
Climbing kickback

If the kickback zone is used for cutting, the reactive force drives the blade to climb up in the cut. Do not use the kickback zone. Use the lower quadrant of the blade to avoid climbing kickback.



Pinching kickback

Pinching is when the cut closes and pinches the blade. If the blade is pinched or stalled the reactive force will be strong and you might not be able to control the power cutter.



If the blade is pinched or stalled in the kickback zone, the reactive force will push the power cutter up and back towards the user in a rotating motion causing serious or even fatal injury. Be alert for potential movement of the work piece. If the work piece is not properly supported and shifts as you cut, it might pinch the blade and cause a kick back.

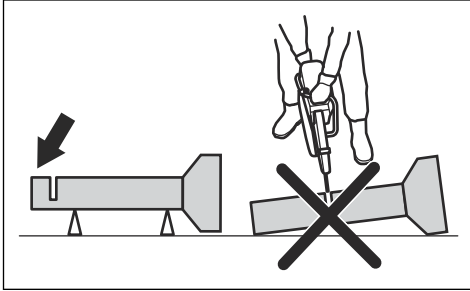
Pipe cutting

Special care should be taken when cutting in pipes. If the pipe is not properly supported and the cut kept open throughout the cutting, the blade might be pinched. Be especially alert when cutting a pipe with a belled end or

a pipe in a trench that, if not properly supported, may sag and pinch the blade.

If the pipe is allowed to sag and close the cut, the blade will be pinched in the kick back zone and a severe kick back might develop. If the pipe is properly supported, the end of the pipe will move downward, the cut will open and no pinching will occur.

Secure the pipe so it does not move or roll during cutting. Make sure that the cut opens to avoid pinching the blade.



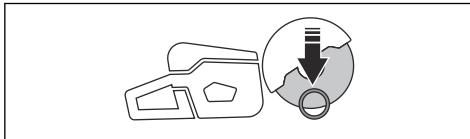
To cut in smaller pipes



WARNING: If the blade is pinched in the kickback zone, it will cause a severe kickback.

If the pipe is smaller than the maximum cutting depth of the product, the cutting operation can be done in 1 step from top to bottom.

- Cut the pipe from top to bottom.



To cut in larger pipes

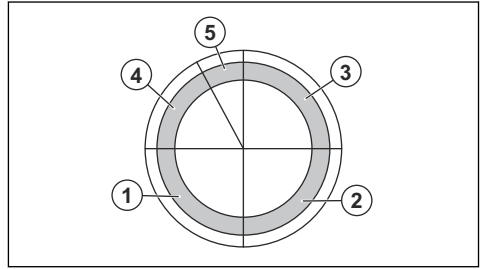


WARNING: If the blade is pinched in the kickback zone, it will cause a severe kickback.

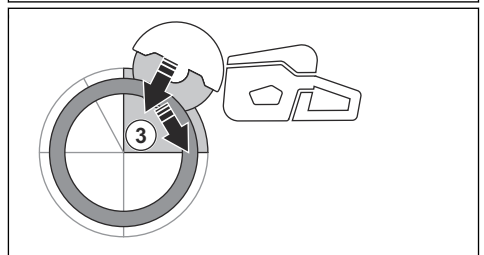
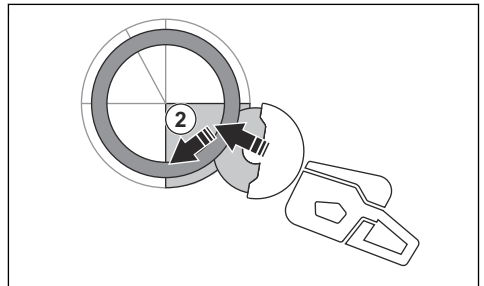
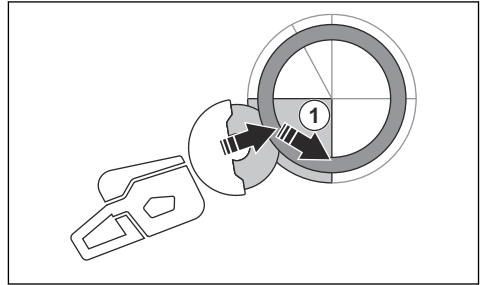
If the pipe is larger than the maximum cutting depth of the product, and can not be rolled, the cutting operation needs to be divided in 5 steps.

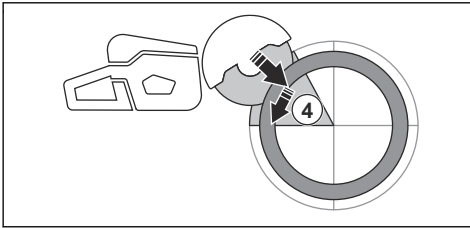
- Set the blade guard to pipe cutting mode. Refer to *To set the pipe cutting mode on page 23.*

- Divide the pipe into 5 sections. Do a mark of those sections and of a cutting line. Cut a shallow guide groove around the pipe.

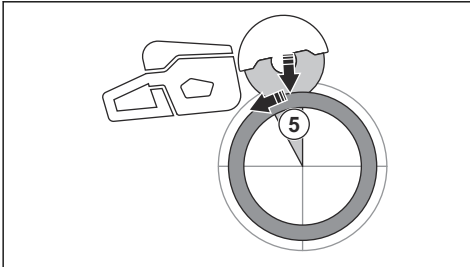


- Cut those sections in 5 steps with the cutting directions shown by the arrows in each step.

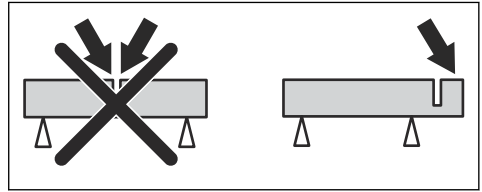




- Make the final separating cut from the top of the pipe pulling backwards, without involving the upper quadrant of the blade. Adjust the blade guard to full forward position for maximum protection.



- Always support the work of piece so that the cut can keep open when cutting through. When the cut is open there is no kickback. If the cut is closed and pinches the blade, there is a risk of kickback.



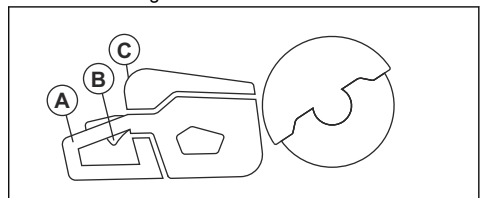
X-Halt

The X-Halt function is an electronic brake system that is engaged if a kickback occurs. The function can not fully prevent personal injury from a kickback, but it decreases the risk. A safe working technique is necessary to prevent kickbacks and to decrease the risk of injuries.

The X-Halt function is always on when the product is on. If the function is engaged, the control panel shows the X-Halt warning symbol until the product becomes cool. Refer to *Troubleshooting on page 29*. For more information, refer to *Troubleshooting on page 29*.

To do before you use the product

1. Read the operator's manual carefully and make sure that you understand the instructions.
2. Do the daily maintenance. Refer to *Maintenance schedule on page 26*.
3. Make sure that only approved persons are in the work area.
4. Make sure that you are in a safe and stable position during operation.
5. Make sure that the water connector is connected to a water supply. Refer to *To connect the coolant water on page 24*.
6. Do a check of the rear handle (A) to make sure that it is not damaged.



7. Do a check of the power trigger lockout (B) to make sure that it operates correctly and that it is not damaged.
8. Do a check of the control panel (C) to make sure that it operates correctly.
9. Make sure that all parts and guards are correctly attached and not damaged or missing.



WARNING: If the pipe is properly supported, it should not pinch the blade when separated in section 5. However be alert if the blade is pinched during the final separation. If the blade is pinched in the lower section, the product may pull forward away from the operator, rather than resulting in a rotating kickback.

To prevent a kickback



WARNING: Avoid situations where there is a risk of kickback. Take care when using your power cutter and make sure that the blade is never pinched in the kickback zone.



WARNING: Be careful when you put the blade in an existing cut.



WARNING: Make sure that the work piece cannot move during a cutting operation.

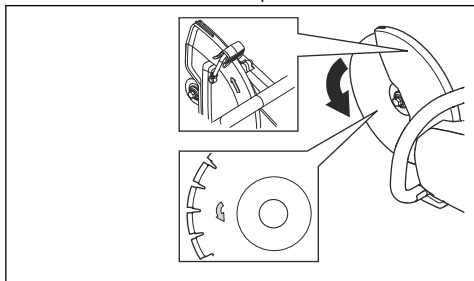


WARNING: Only you and proper working technique can eliminate kickback and its dangers.

- Charge the battery and make sure that it is correctly attached to the product. Only use Husqvarna BLi approved batteries for the product.
- Make sure that the power cutter stops when you release the power trigger.

To examine the direction of rotation of the cutting blade

- Find the arrow on the blade guard that shows the direction of rotation of the spindle shaft.



- Find the arrow on the cutting blade that shows the direction of rotation of the cutting blade.
- Make sure that the direction arrow of the cutting blade and the spindle shaft have the same direction.

To do a check of the arbor bushing

The arbor bushings are used to attach the product to the center hole of the cutting blade. The product is supplied with arbor bushings that are applicable for 25.4 mm / 1 in. center holes.

- Make sure that the dimension of the center hole of the cutting blade agrees with the installed arbor bushing. The diameter of the center hole is printed on the cutting blade.
- Use only Husqvarna arbor bushings.

Bluetooth® wireless technology

Products with built-in Bluetooth® wireless technology can connect to mobile devices and enables additional functions from Husqvarna Connect.

The symbol for *Bluetooth*® wireless technology comes on when your mobile device is connected to the product.



To use embedded connectivity with Husqvarna Fleet Services™

Note: This part is applicable only for products supplied with embedded connectivity.

Note: Radio transmission by the Bluetooth® function will be enabled on the first time of connection to a battery, and stay on after that.

- Download the Husqvarna Fleet Services™ iOS or Android app Husqvarna Fleet Services.
- Go to Husqvarna Fleet Services™ website <https://fleetservices.husqvarna.com> for more information.

To connect the battery charger

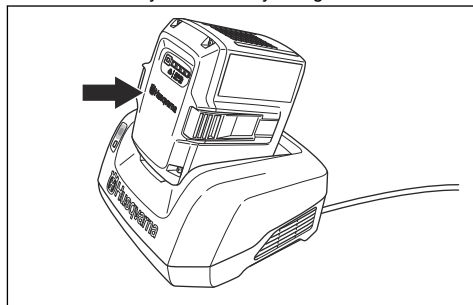
- Connect the battery charger to the voltage and frequency that is specified on the rating plate.
- Put the plug in a grounded socket outlet. The LED on the battery charger flashes green one time.

Note: The battery does not charge if the battery temperature is more than 50 °C/122 °F. If the temperature is more than 50 °C/122 °F, the battery charger makes the battery become cool before the battery charges.

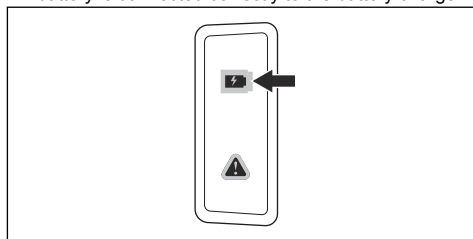
To connect the battery to the battery charger

Note: Charge the battery if it is the first time that you use it. A new battery is only 30% charged.

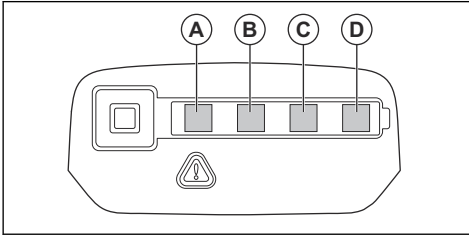
- Make sure that the battery is dry.
- Put the battery in the battery charger.



- Make sure that the green charging light on the battery charger comes on. That means that the battery is connected correctly to the battery charger.



4. When all LEDs on the battery come on, the battery is fully charged.



5. To disconnect the battery charger from the mains socket, pull the plug. Do not pull the cable.
6. Remove the battery from the battery charger.

Note: Refer to the battery and battery charger manuals for more information.

Basic working techniques



WARNING: Do not move the power cutter to the side. This can prevent the free movement of the blade and cause the blade to break, which can cause an injury.

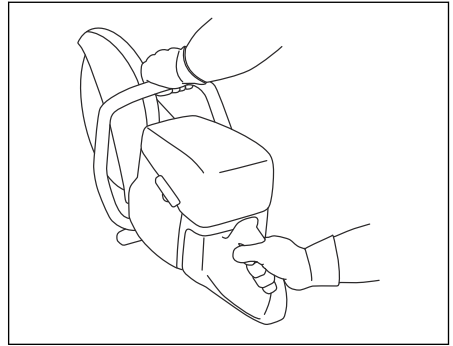


WARNING: Do not use the side of the blade. The blade can become damaged and broken, which can cause an injury. Use only the cutting edge.

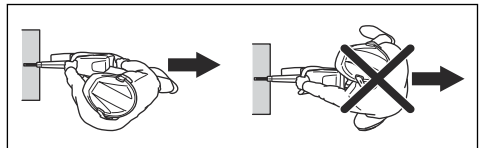


WARNING: Do not use a diamond blade to cut plastic material. The heat that occurs can melt the plastic. Melted plastic can attach to the cutting blade and cause a kickback.

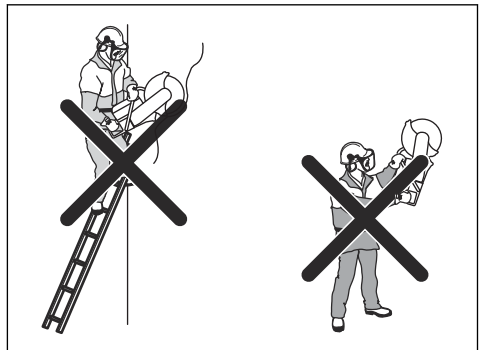
- The product is made for high speed diamond blades, abrasive blades and recommended blades for the product. Use Husqvarna recommended cutting blades for the product.
- The product is made to cut into tiles, light concrete and stone. Use only for this type of operation.
- Make sure that the cutting blade does not show signs of damage and that it is attached correctly, refer to *Abrasive blades on page 14* and *To install the cutting blade on page 17*.
- Always use the correct cutting blade for the type of operation, refer to *Cutting blades on page 13*.
- Do not cut asbestos material.
- Always hold the power cutter with 2 hands. Always hold the product tightly with thumbs and fingers around the handles. Always hold the rear handle with the right hand and the front handle with the left hand.



- Always be parallel to the cutting blade. Do not be linearly behind the cutting blade. If there is a kickback, the power cutter moves in the plane of the cutting blade.

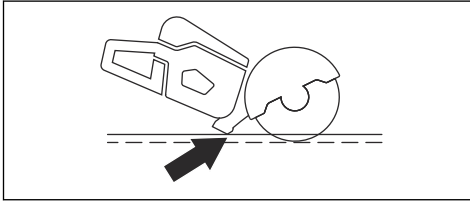


- Keep a safe distance to the cutting blade when the engine operates.
- Make sure that you are in a stable position during operation.
- Keep applicable distance from the object you are cutting.
- Do not operate above shoulder height. Use a platform or scaffold if the cutting operation is above shoulder height. Do not overreach.
- Do not operate from a ladder.

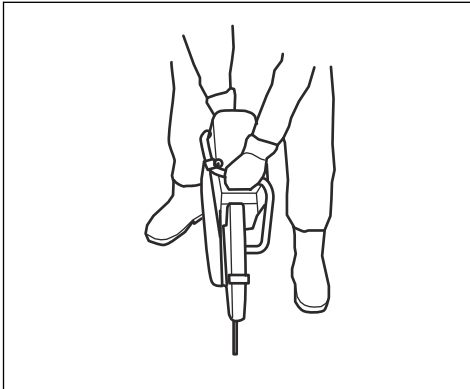


- Make sure that the cutting blade is free when the engine is started.
- Always monitor the product when the engine operates.
- Do not move the product when the cutting blade rotates. The product has an electrical retarder to decrease the blade stop time.

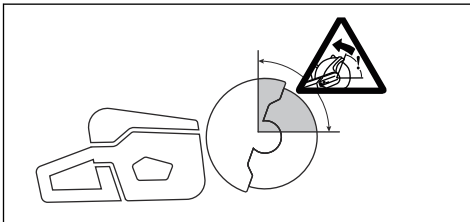
- Make sure that the front ground support is flush with the work piece at the rear. The blade guard collects spray and dust and keeps them away from the operator.



- Cut with full throttle. Keep full rotating speed until the cutting operation is completed.
- Push the cutting blade lightly against the object you are cutting. Do not use force.
- Align the cutting blade with the cut.



- Move the cutting blade slowly forward and rearward to decrease the area between the cutting blade and the material. This decreases the temperature of the cutting blade.



- Do not cut with the kickback zone of the blade, see *Kickback zone on page 18*.

To set the pipe cutting mode



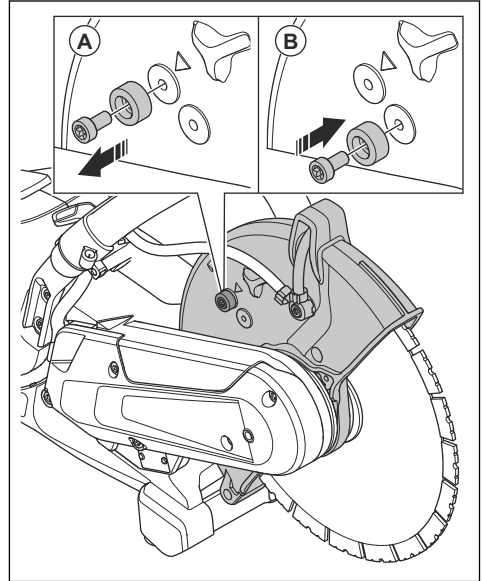
WARNING: The adjustment handle for blade guard can be very hot, use gloves when you adjust the blade guard.



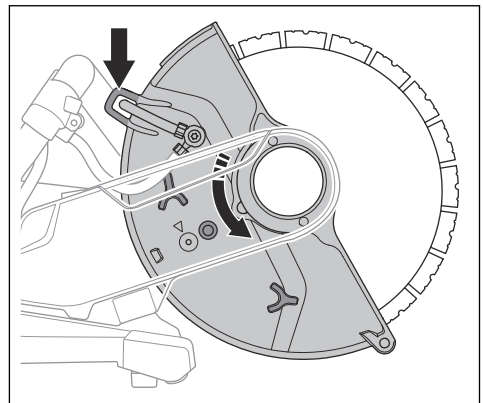
WARNING: Only use pipe cutting mode during pipe cutting operation. In all other operations you must use standard cutting mode

The pipe cutting mode enables pipe cutting in the kickback zone.

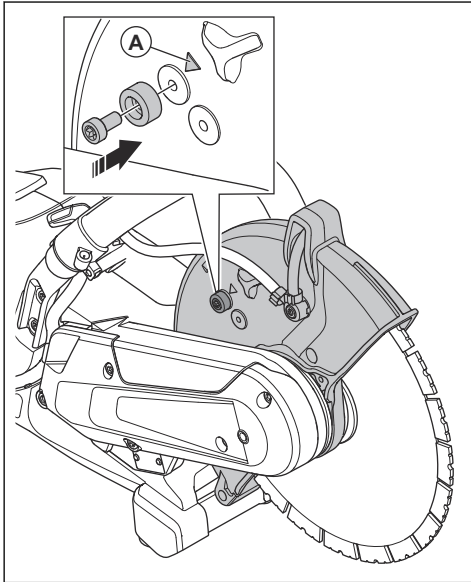
1. Move the stop bolt of the blade guard from the standard cutting mode (A) to the pipe cutting mode (B).



2. Pull the adjustment handle to enable the pipe cutting mode.

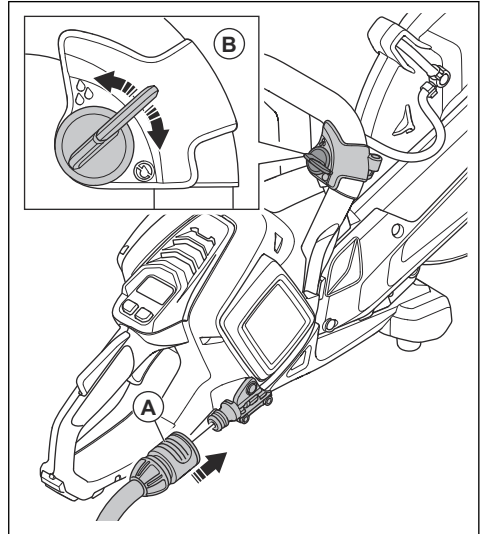


- Put back the stop bolt to the standard cutting mode after the pipe cutting operation. The arrow (A) shows the standard cutting mode.



To connect the coolant water

- Connect the water hose to the water supply (A).



- Turn the water valve (B) to start or stop the water flow.
- Examine the water connection and the hose for leakage.
- Make sure that the water pressure is not higher than the maximum permitted water pressure, refer to *Technical data on page 32*.

Dry cutting

- When dry cutting, lift the blade out from the cut each 30–60 seconds and let it rotate in the air for 10 seconds to let it cool.
- Use Vac equipment if possible.

To start the product

- Do a check of the power trigger and power trigger lockout. Refer to *To do a check of the power trigger lockout on page 27*.

Wet cutting



CAUTION: Do not use Vac equipment together with the wet system.

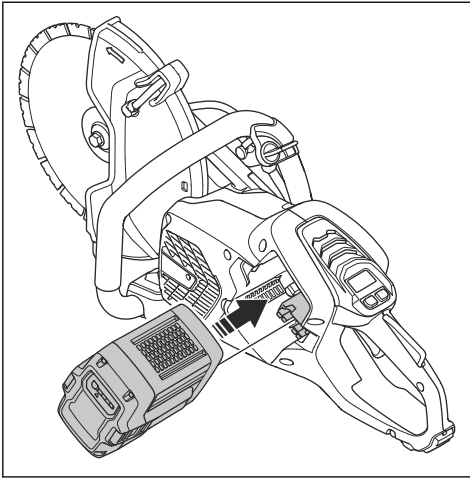
- Diamond blades for wet cutting must be used with the wet system.
- Water cool the blade and increases its service life while also decrease the dust.
- When wet cutting, make sure to collect the waste water safely.

To decrease dust during operation

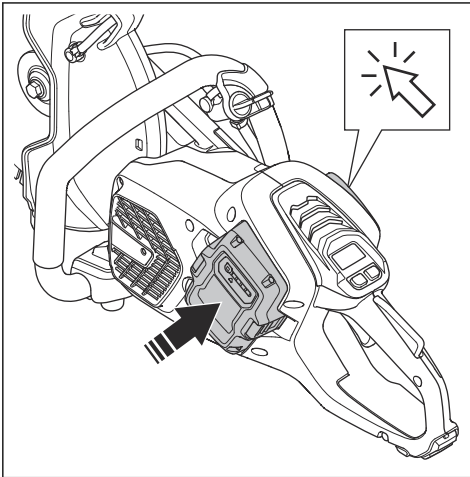
The product has a wet cutting kit to decrease harmful dust in the air during operation. The wet cutting kit has low water consumption.

- When possible, use wet cutting blades with water cooling. Refer to *Diamond blades for wet cutting on page 16*.
- Adjust the water flow with the valve. The correct flow is different for different types of tasks.
- Make sure that the water pressure is correct. Refer to . If the water hose comes off at the supply source, the supplied water pressure can be too high.

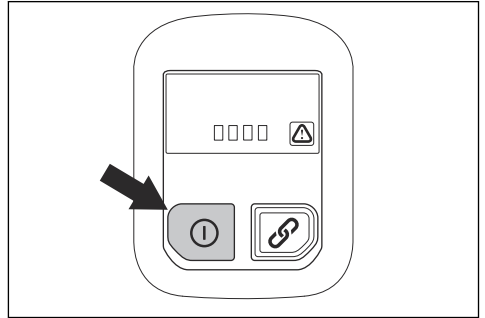
2. Put the battery in the battery holder.



3. Push on the lower part of the battery until you hear a click sound. If the battery does not move into the battery holder easily, it is not attached correctly into the battery holder.



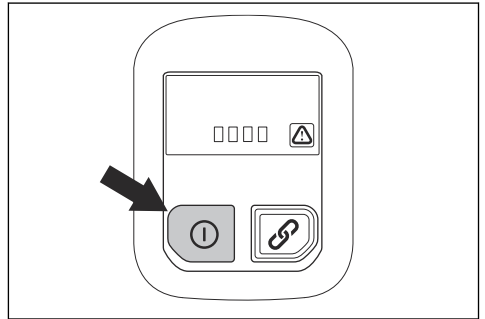
4. Push and hold the On/Off button until the green LED light comes on.



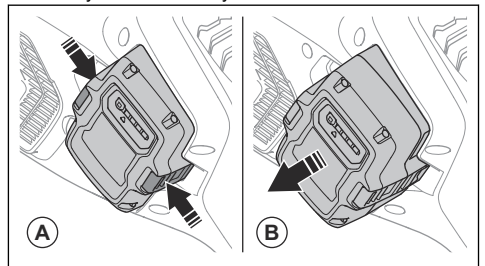
5. Push the power trigger to start the motor.

To stop the product

1. Release the power trigger.
2. Push and hold the On/Off button on the control panel until the green LED light goes off.



3. Push the battery release button and remove the battery from the battery holder.



WARNING: Remove the battery when you do not use or when you do not have full vision of the product. This is to prevent accidental start.

Maintenance

Introduction



WARNING: Read and understand the safety chapter before you do maintenance work on the product.



WARNING: Remove the battery before you do maintenance on the product.



WARNING: Failure to do maintenance correctly can decrease the product life

cycle and increase the risk of accidents. All servicing and/or repair work must also be done by a professional. Turn to your servicing dealer for more information.

Maintenance schedule

The following is a list of the maintenance steps that you must do on the product.

Maintenance	Before use	After use	Monthly
Clean the external parts of the product.	X		
Make sure that the power trigger and the power trigger lockout function correctly from a safety point of view.	X		
Do a check of the cutting blade. Look for cracks and make sure that the cutting blade is not unusually worn. Replace if necessary.	X		
Do a check of the blade guard.	X		
Do a check of the belt guard.	X		
Do a check of the vibration damping system.	X		
Clean the fan housing on the product.	X		
Make sure that the screws and nuts are tight.	X		
Make sure that the control panel works correctly and that it is not damaged.	X		
Do a check of the connections between the battery and the product. Do a check of the connection between the battery and the battery charger.			X
Blow through the product and battery soft with compressed air.			X
Clean the product.		X	
Replace damaged parts.		X	

To clean externally

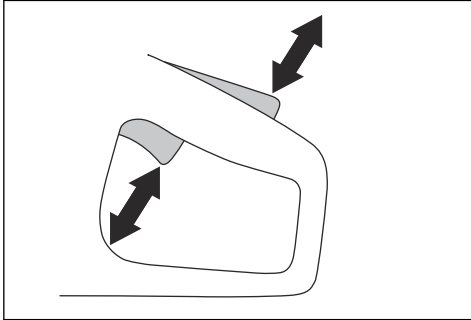


WARNING: Do not use a high-pressure washer to clean the product.

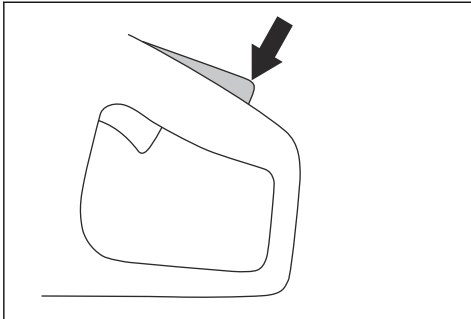
- Flush the product externally with clean water after each day of operation. If it is necessary, use a brush.

To do a check of the power trigger lockout

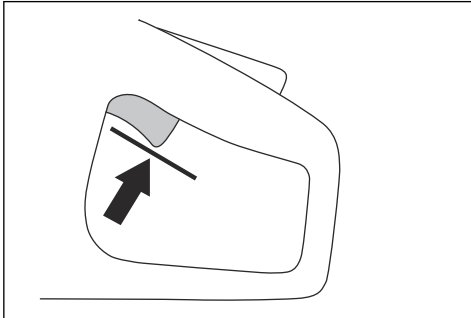
1. Make sure that the power trigger and power trigger lockout move freely and that the return spring operates correctly.



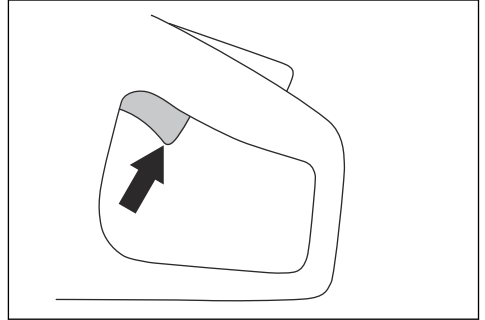
2. Push down the power trigger lockout and make sure that it goes back to its initial position when you release it.



3. Make sure that the power trigger is locked at the idle position when the power trigger lockout is released.



4. Push and hold the On/Off button to start the product and apply full power. Refer to *To start the product on page 24*.



5. Release the power trigger and make sure that the cutting blade stops. If the cutting blade rotates when the power trigger is in the idle position, speak to your servicing dealer.

To clean the battery and the battery charger



WARNING: Do not clean the battery or the battery charger with water.



WARNING: Do not use any chemical substances to clean the battery.

- Make sure that the battery and the battery charger are clean and dry before you put the battery into the battery charger.
- Clean the battery terminals with compressed air or use a soft and dry cloth.
- Clean the surfaces of the battery and the battery charger with a soft and dry cloth.

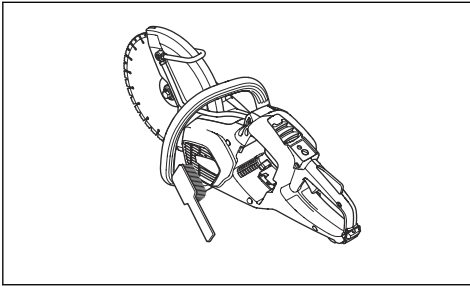
To do a check of the battery charger

1. Make sure that the battery charger and the power supply cord is not damaged. Look for cracks and other damage.

To clean the cooling system

The product has a cooling system that keeps the temperature of the product as low as possible.

The cooling system includes an air intake on the left side of the product and a fan on the motor.



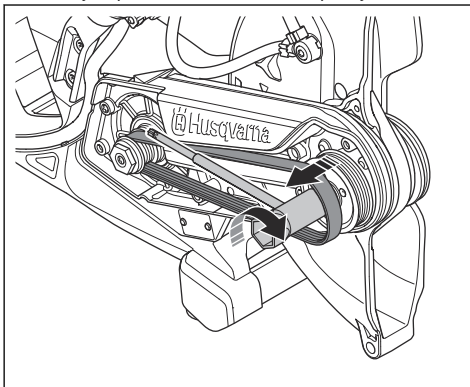
1. Clean the cooling system with a brush weekly or more frequently if necessary.
2. Make sure that the cooling system is not dirty or blocked.



CAUTION: A dirty or blocked cooling system can cause the product to become too hot.

To remove the drive belt

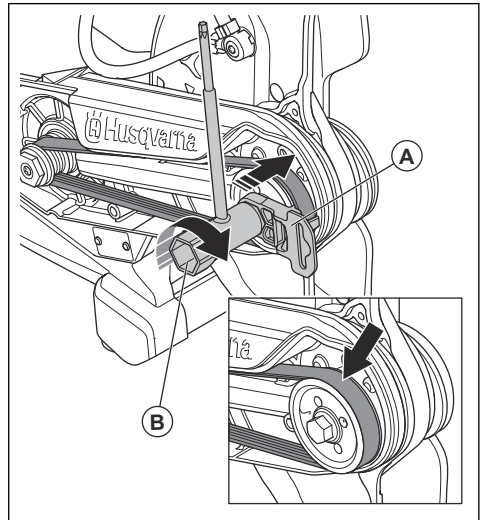
1. Remove the belt guard. Refer to *Product overview K 540i* on page 3.
2. Put the belt tool on top of the front pulley. Use a combination wrench to turn the pulley clockwise while you pull the drive belt off the pulley.



To install the drive belt

1. Put the drive belt around the rear pulley.

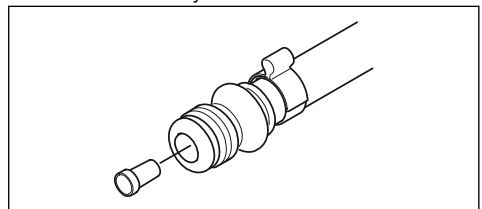
2. Put the belt assembly tool (A) on top of the front pulley.



3. Turn the front pulley clockwise with the combination wrench (B). At the same time, push the drive belt onto the pulley.
4. Attach the belt guard. Refer to *Product overview K 540i* on page 3.

To do a check of the water supply system

1. Examine the nozzles on the blade guard and make sure that they are not clogged.
2. Clean as necessary.
3. Examine the filter on the water connector. Make sure that it is not clogged.
4. Clean as necessary.



5. Examine the hoses and make sure that they are not damaged.

Service

Approved service center

To find your nearest Husqvarna approved service center, go to the web site www.husqvarnaconstruction.com.

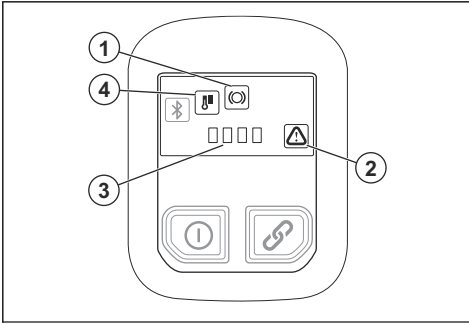
Troubleshooting

Troubleshooting of the product

Problem	Cause	Solution
The product does not start. No LEDs come on when you push the On/Off button on the product.	The battery is damaged.	Do a test with a different battery.
	The plug between the battery and the product is damaged.	Make sure that the power connectors between the battery and the product are not dirty or damaged.
	The battery is not correctly installed in the product.	Remove the battery and install it correctly.
	Servicing is necessary.	Speak to an approved Husqvarna service center.
The product is on, but a warning indicator or a indicator is on or flashes.	There is an error in the product.	Speak to an approved Husqvarna service center.
The product is on but the motor does not start when you push the power trigger.	Servicing necessary.	Speak to an approved Husqvarna service center.
The motor is on but the blade shaft does not rotate.	The drive belt is damaged or worn.	Replace the drive belt, refer to <i>To remove the drive belt on page 28</i> .
An unusual noise comes from the front bearings.	The bearings are damaged or worn.	Speak to an approved Husqvarna service center.
There are unusual vibrations when the product is on.		
The product makes a sudden movement when you push the power trigger, then immediately stops.	There is a short circuit in the control unit.	Speak to an approved Husqvarna service center.
The product stops during a kickback.	The X-Halt function is engaged.	Speak to an approved Husqvarna service center.
The motor makes sudden movement when you push the power trigger, then stops.	Servicing is necessary.	Wait for the X-Halt to disengage.
The product stops when you apply work load.	There is too much work load on the product.	Start the product again and apply less work load.

LED indicators on the control panel

The LED indicators on the control panel show the state of charge of the battery and if there are problems with the product.



LED indicator	Indication	Cause	Solution
1	The indicator flashes.	The X-Halt function is engaged.	Wait for the product to cool down and the X-Halt function to disengage.
	The indicator is on.	Servicing is necessary.	Speak to an approved Husqvarna service center.
2	The indicator flashes.	There is a battery error.	Pull the power trigger 1 time to reset the error warning. If the error warning comes back, do a test with a different battery.
		Temporary error	Pull the power trigger 1 time to reset the error warning. If the problem does not disappear, speak to an approved Husqvarna service center.
		The power trigger and the On/Off button are pushed at the same time.	Release the power trigger and start the product.
	The indicator is on.	Servicing is necessary.	Speak to an approved Husqvarna service center.
3	All 4 indicators flash.	The product does a Firmware Over-the-Air (FOTA) update.	Let the FOTA update finish.
		Servicing necessary.	Speak to an approved Husqvarna service center.
2 and 3	Indicator no. 2 and the first LED on indicator no. 3 flash.	The battery level is low.	Charge the battery.
2 and 4	Indicator no. 2 flashes and indicator no. 4 is on.	Temperature deviation.	The product is too hot or too cold.

Transportation, storage and disposal

Transportation and storage

- Secure the product during transportation to prevent damage and accidents.
- Remove the cutting blade before transportation or storage of the product.
- Keep the product in a locked area to prevent access for children or persons that are not approved.
- Keep the cutting blades in dry, frost free conditions.
- Disconnect the battery from the product.
- Examine all new and used blades for transport and storage damage before assembly.

Disposal of the battery, battery charger and product

The symbol below means that the product is not domestic waste. Recycle it at a recycling station for electrical and electronic equipment. This helps to prevent damage to the environment and to persons.

Speak to local authorities, domestic waste service or your dealer for more information.



Note: The symbol shows on the product or package of the product.

Technical data

Technical data

Husqvarna K 540i		
Voltage d.c. maximum/nominal, V		40/36
Weight, kg/lbs		4.2/9.3
Maximum cutting depth, mm/in.		100/3.9
Maximum blade diameter, mm/in.		267/10.5
Maximum blade thickness, mm/in.	Abrasive blades	3.0/0.12
	Diamond blades	1.6/0.06
Blade shaft, rpm no load		5550
Water cooling of blade		Yes
Connecting nipple		Type "Gardena"
Recommended water pressure, bar/psi		0.5–6/7.3–87
Maximum water pressure, bar/psi		6/87

Noise and vibration declaration statement

These declared values were obtained by laboratory type testing in accordance with the stated directive or standards and are suitable for comparison with the declared values of other products tested in accordance with the same directive or standards. These declared

values are not suitable for use in risk assessments and values measured in individual work places may be higher. The actual exposure values and risk of harm experienced by an individual user are unique and depend upon the way the user works, in what material the product is used, as well as upon the exposure time and the physical condition of the user, and the condition of the product.

Embedded connectivity

Note: This part is applicable only for products supplied with embedded connectivity.

BLE technology radio spectrum	
Frequency bands for the tool, GHz	2.402-2.480
Maximum radio-frequency power transmitted, dBm/mW	4/2.5

Accessories

Approved batteries for the product

Battery	BLi200	BLi300
Type	Lithium-ion	Lithium-ion

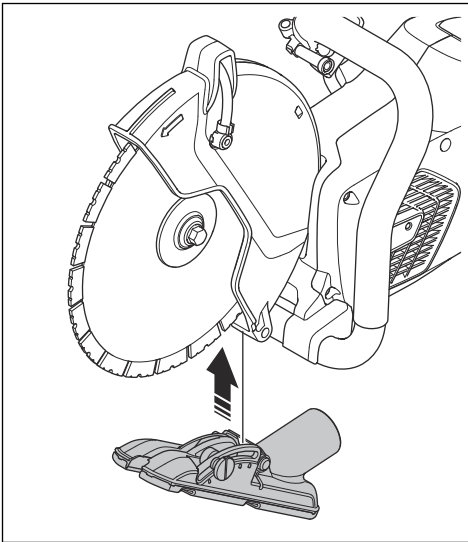
Battery	BLi200	BLi300
Battery capacity, Ah	5.2	9.4
Nominal voltage, V	36	36
Weight, kg / lb	1.3 / 2.9	1.9 / 4.2

Approved battery chargers for the product

Battery charger	QC330	QC500
Mains voltage, V	100-240	100-240
Frequency, Hz	50-60	50-60
Power, W	330	500

Vacuum attachment (Accessory)

Use the VAC attachment to connect a dust extractor to the product.



Supplier's Declaration of Conformity for K 540i

47 CFR § 2.1077 Compliance Information

Responsible Party: Husqvarna Construction Products
North America, Inc. 17400 W 119th Street Olathe,
Kansas 66061 USA U.S.

U.S. Contact Information: Neil Stanford, Compliance
Manager, Telephone number: 913-928-1000

FCC Compliance Statement: Changes or modifications not expressly approved by Husqvarna can void the equipment's compliance with FCC regulations, and limit the user's authority to operate the equipment.

Note: This equipment has been tested and found to comply with the limits for a Class B digital device, pursuant to part 15 of the FCC Rules. These limits are designed to provide reasonable protection against

harmful interference in a residential installation. This equipment generates, uses and can radiate radio frequency energy and, if not installed and used in accordance with the instructions, may cause harmful interference to radio communications. However, there is no guarantee that interference will not occur in a particular installation. If this equipment does cause harmful interference to radio or television reception, which can be determined by turning the equipment off and on, the user is encouraged to try to correct the interference by one or more of the following measures:

- Reorient or relocate the receiving antenna.
 - Increase the separation between the equipment and receiver.
 - Connect the equipment into an outlet on a circuit different from that to which the receiver is connected.
 - Consult the dealer or an experienced radio/TV technician for help.
-

Registered trademarks

The *Bluetooth*[®] word mark and logos are registered trademarks owned by *Bluetooth SIG, inc.* and any use of such marks by Husqvarna is under license.

Contenido

Introducción.....	36	Transporte, almacenamiento y eliminación de residuos.....	67
Seguridad.....	39	Datos técnicos.....	68
Montaje.....	48	Accesorios.....	69
Funcionamiento.....	53	Declaración de conformidad del proveedor para K 540i.....	70
Mantenimiento.....	62	Marcas comerciales.....	71
Servicio.....	65		
Solución de problemas.....	65		

Introducción

Responsabilidad del propietario



ADVERTENCIA: El procesamiento de hormigón y piedra mediante métodos como corte, amolado o perforación, especialmente en operaciones en seco, genera polvo que proviene del material procesado y a menudo contiene sílice. La sílice es un componente básico de la arena, el cuarzo, la arcilla de los ladrillos, el granito y otros numerosos minerales y rocas. La exposición a una cantidad excesiva de polvo de sílice puede causar las siguientes afecciones:

Enfermedades respiratorias (que afectan la capacidad de respirar), incluidas la bronquitis crónica, la silicosis y la fibrosis pulmonar debido a la exposición a la sílice. Estas enfermedades pueden ser mortales.

Irritación cutánea y sarpullido.

Cáncer, según el NTP* y la IARC* */National Toxicology Program (Programa Nacional de Toxicología) y Centro Internacional de Investigaciones sobre el Cáncer.

Tome medidas preventivas:

Evite inhalar y que su piel entre en contacto con el polvo, el vaho y los gases.

Utilice artículos apropiados para la protección respiratoria como máscaras contra polvo diseñadas para filtrar partículas microscópicas, y asegúrese de que todas las personas que se encuentren cerca también lo hagan. (Consulte la normativa OSHA 29 CFR Parte 1926.1153)

Para reducir al mínimo las emisiones de polvo, utilice agua para aglomerarlo cuando sea posible. Si es necesario realizar una

operación en seco, utilice un extractor de polvo adecuado.

Es responsabilidad del propietario o del empleador que el operador posea los conocimientos necesarios sobre cómo utilizar el producto de manera segura. Los supervisores y operadores deben haber leído y comprendido el manual de usuario. Deben tener conocimiento de lo siguiente:

- Las instrucciones de seguridad del producto.
- La gama de aplicaciones y limitaciones del producto.
- Cómo el producto se va a utilizar y mantener.

El uso de este producto se podría ver restringido por las normativas nacionales o locales. Antes de comenzar a utilizar el producto, infórmese sobre qué normativas se aplican en el lugar donde trabaja.

Descripción del producto

La cortadora es una máquina de corte portátil. El producto se activa con una batería.

El producto se puede utilizar en operaciones húmedas y secas. Consulte *Corte húmedo en la página 60* y *Corte seco en la página 60*.

Este producto tiene conectividad integrada. Consulte *Conectividad integrada en la página 38*.

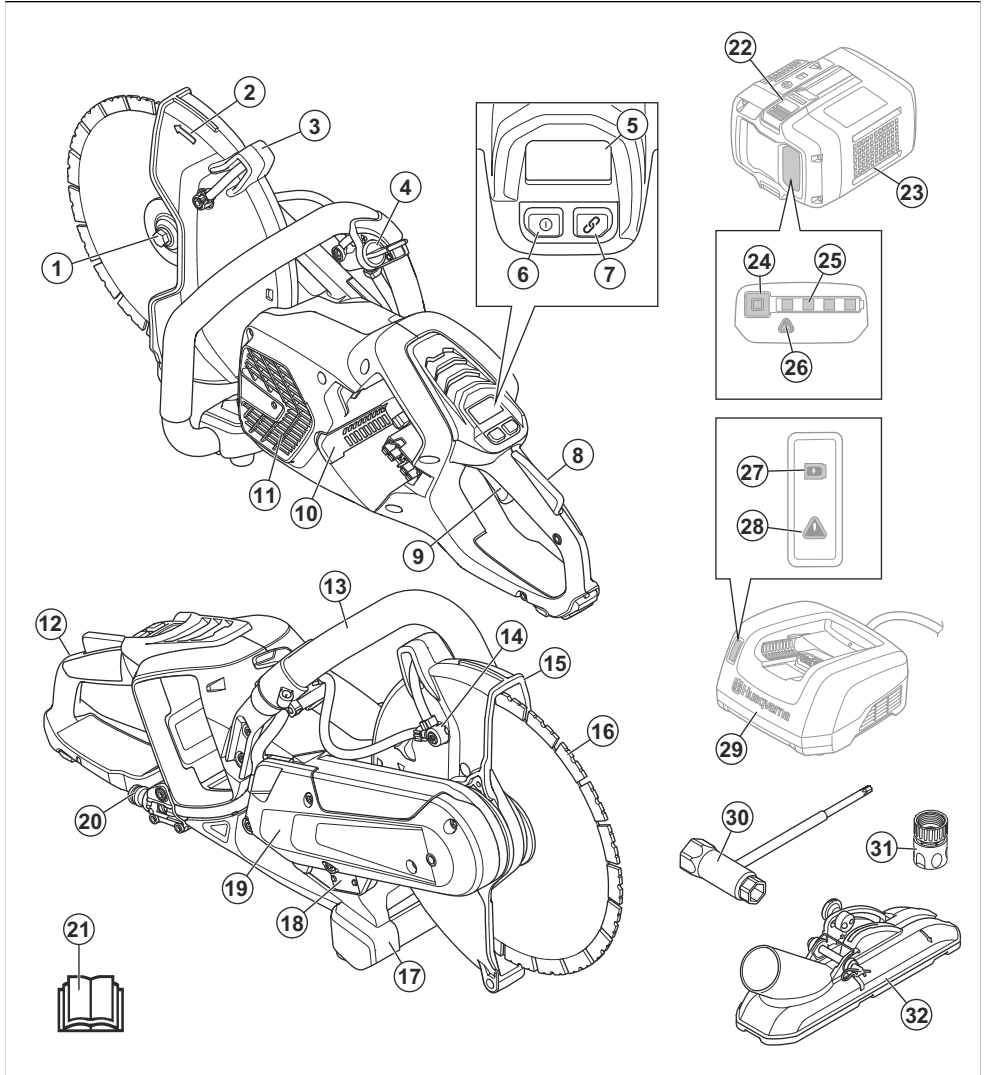
Uso previsto

El producto se utiliza para cortar materiales duros como hormigón, mampostería, piedra y acero. No utilice el producto para otras tareas. El producto debe ser utilizado únicamente por operadores profesionales con experiencia.

Se realiza un trabajo constante para aumentar su seguridad y la eficiencia durante la operación. Póngase en contacto con su taller de servicio para obtener más información.

Tenga en cuenta: El uso de este producto podría estar restringido por normas nacionales o locales.

Descripción general del producto K 540i



- | | |
|---|-------------------------------|
| 1. Pestaña, buje de eje giratorio | 10. Ranura de la batería |
| 2. Sentido de rotación del eje | 11. Toma de aire del motor |
| 3. Mango de ajuste para la protección del disco | 12. Mango trasero |
| 4. Válvula de agua | 13. Mango delantero |
| 5. Panel de control | 14. Boquilla de agua |
| 6. Botón ON/OFF | 15. Protección de la cuchilla |
| 7. Botón ON/OFF de accesorios (no se utiliza) | 16. Disco de corte |
| 8. Bloqueo del gatillo de alimentación | 17. Soporte del suelo |
| 9. Gatillo de alimentación | 18. Placa de características |

19. Protección de la correa
20. Conexión de agua con filtro
21. Manual de usuario
22. Botón de liberación de la batería
23. Batería (no incluida)
24. Estado de la batería
25. Indicador de estado de carga
26. Indicador de advertencia
27. Indicador de estado de carga
28. Indicador de advertencia
29. Cargador de batería (no incluido)
30. Llave combinada
31. Conector de agua, GARDENA
32. Accesorio de aspiradora (no incluido)



No utilice discos de sierra circulares.



Si el producto cuenta con tecnología inalámbrica Bluetooth®. El símbolo Bluetooth® estará en la etiqueta del nombre del producto.



Marca medioambiental. El producto o paquete del producto no es residuo doméstico. Recíclelo en una ubicación de reciclaje para equipos eléctricos y electrónicos.

Símbolos en el producto



ADVERTENCIA: Este producto puede ser peligroso y provocar lesiones graves o fatales al usuario o a otras personas. Tenga cuidado y utilice el producto correctamente.



Lea atentamente el manual de instrucciones y asegúrese de que entiende las instrucciones antes de usar este producto.



Utilice casco protector, protectores auriculares, protección ocular y protección respiratoria aprobados. Consulte *Equipo de protección personal en la página 45*.



Se forma polvo durante el corte. En caso de inhalación, el polvo puede provocar lesiones. Utilice protección respiratoria aprobada. Proporcione siempre una buena ventilación.



Las chispas del disco de corte pueden provocar incendios en el combustible, la madera, la ropa, el pasto seco u otros materiales inflamables.



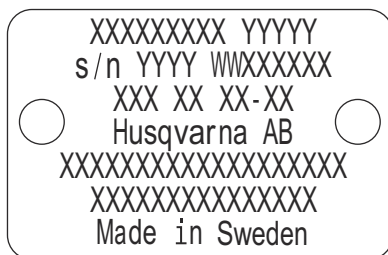
ADVERTENCIA: Las reculadas pueden ser repentinas, rápidas y violentas, y pueden causar lesiones mortales. Lea y entienda las instrucciones del manual de instrucciones antes de utilizar el producto. Consulte *Funcionamiento en la página 53*.



Asegúrese de que el disco de corte no tenga grietas u otros daños.

Tenga en cuenta: Otros símbolos o etiquetas en el producto hacen referencia a requisitos de certificación para algunos mercados.

Placa de identificación



Fila 1: Marca, modelo

Fila 2: N.º de serie con fecha de fabricación: Año, semana, n.º de secuencia

Fila 3: Nro. de producto

Fila 4: Fabricante

Fila 5: n = velocidad nominal del eje de salida, /min = revoluciones por minuto, ø = diámetro de la cuchilla, rosca del perno de la punta del eje.

Fila 6: Tensión máxima y nominal, CC = corriente directa

Fila 7: País de origen

Conectividad integrada

La solución de administración de activos en la nube Husqvarna Fleet Services™ ofrece al administrador de flotas una descripción general de todos los productos que están conectados a través de sensores integrados o del mercado de posventa. Se puede utilizar la posición de la puerta de enlace o del

teléfono inteligente para indicar la ubicación de los productos conectados. Los sensores registran datos como el tiempo de funcionamiento, los intervalos de servicio y otros. Para obtener más información acerca de la solución de administración de activos en la nube Husqvarna Fleet Services™, descargue la aplicación para iOS o Android Husqvarna Fleet Services en <https://apps.apple.com/se/app/husqvarna-fleet-services/id1334672726> o <https://play.google.com/store/apps/details?id=com.husqvarna.hfsmobile&hl=en>. Comuníquese con su Husqvarna representante de ventas para obtener más información.

Algunos tipos de este producto están conectados a través del sensor Husqvarna Fleet Services™ integrado que tiene la función Bluetooth Low Energy (BLE). Para obtener más información acerca de cómo utilizarlo, consulte *Para utilizar la conectividad integrada con Husqvarna Fleet Services™ en la página 57*. Para obtener información acerca del espectro de radio con tecnología BLE, consulte *Conectividad integrada en la página 68*. Para obtener información respecto de dudas de cumplimiento de Husqvarna Fleet Services™, consulte *Dudas de cumplimiento en la página 39*.

Dudas de cumplimiento

Tenga en cuenta: Los cambios o modificaciones que no estén expresamente aprobados por Husqvarna pueden anular el cumplimiento del equipo de las normas

de la FCC y limitar la autoridad del usuario para operar el equipo.

Tenga en cuenta: Este dispositivo cumple con el Segmento 15 de las reglas de la FCC y con las normas de RSS no sujetas a licencias de Industry Canada.

El funcionamiento está sujeto a las siguientes dos condiciones:

- Este dispositivo no debe causar interferencias perjudiciales.
- Este dispositivo debe aceptar cualquier interferencia que reciba, incluso una interferencia que pueda causar una operación no deseada.

Daños en el producto

No somos responsables de los daños a nuestro producto en los siguientes casos:

- el producto se repara incorrectamente
- el producto se repara con piezas que no son del fabricante o que este no autoriza
- el producto tiene un accesorio que no es del fabricante o que este no autoriza
- el producto no se repara en un centro de servicio autorizado o por una autoridad aprobada.

Seguridad

Definiciones de seguridad

Las advertencias, precauciones y notas se utilizan para señalar las piezas particularmente importantes del manual.



ADVERTENCIA: Se utilizan para señalar el riesgo de lesiones graves o mortales para el operador o para aquellos que se encuentren cerca si no se siguen las instrucciones del manual.



AVISO: Se utilizan para señalar el riesgo de dañar la máquina, otros materiales o el área adyacente si no se siguen las instrucciones del manual.

Tenga en cuenta: Se utilizan para entregar más información necesaria en situaciones particulares.

Advertencias de seguridad generales de la herramienta eléctrica



ADVERTENCIA: Lea todas las advertencias de seguridad y todas las

instrucciones. En caso de no seguir las advertencias ni las instrucciones se pueden producir sacudidas eléctricas, incendios o daños graves.

Tenga en cuenta: Guarde todas las advertencias e instrucciones para futuras referencias. El término "herramienta eléctrica" que se indica en las advertencias hace referencia a la herramienta eléctrica (con cable) operada con corriente o a la herramienta eléctrica operada con baterías (inalámbrica).

Seguridad en el área de trabajo

- **Mantenga el área de trabajo limpia y bien iluminada.** Las áreas desordenadas u oscuras pueden generar accidentes.
- **No opere herramientas eléctricas en atmósferas explosivas, como ante presencia de gases, polvo o líquidos inflamables.** Las herramientas eléctricas generan chispas que pueden encender el polvo o humos.
- **Mantenga alejados a niños y transeúntes mientras opera una herramienta eléctrica.** Las distracciones pueden hacerle perder el control.

Seguridad eléctrica

- **Los enchufes de la herramienta eléctrica deben coincidir con la toma de corriente. Nunca modifique el enchufe de ninguna forma. No utilice enchufes con adaptador con herramientas eléctricas conectadas a tierra.** Los enchufes sin modificaciones y las tomas correspondientes reducen el riesgo de sacudida eléctrica.
- **Evite el contacto corporal con superficies conectadas a tierra, como tuberías, radiadores, estufas y refrigeradores.** Existe un mayor riesgo de sacudida eléctrica si su cuerpo está conectado a tierra.
- **No exponga las herramientas eléctricas a la lluvia o a la humedad.** Si entra agua en una herramienta eléctrica, aumenta el riesgo de sacudida eléctrica.
- **No haga mal uso del cable. Nunca utilice el cable para transportar, tirar o desconectar la herramienta eléctrica. Mantenga el cable alejado del calor, el aceite, los bordes afilados o las piezas en movimiento.** Cables dañados o enredados aumentan el riesgo de sacudida eléctrica.
- **Al operar una herramienta eléctrica en exteriores, utilice un cable de extensión apto para su uso al aire libre.** La utilización de un cable apto para el uso al aire libre reduce el riesgo de sacudida eléctrica.
- **Si no se puede evitar el uso de una herramienta eléctrica en un lugar húmedo, utilice un suministro con protección de un interruptor de circuito diferencial (RCD, por su sigla en inglés).** El uso de un RCD reduce el riesgo de sacudida eléctrica.



ADVERTENCIA: No lave la máquina con agua a presión, ya que puede entrar al sistema eléctrico o al motor y causar un cortocircuito o dañar la máquina.

Seguridad personal

- **Permanezca alerta, vea lo que está haciendo y use el sentido común cuando opere una herramienta eléctrica. No utilice una herramienta eléctrica si está cansado o bajo la influencia de drogas, alcohol o medicamentos.** Un momento de distracción a la hora de operar una herramienta eléctrica puede generar daños personales graves.
- **Utilice el equipo de protección personal. Siempre utilice protección ocular.** El equipo de protección (como máscara contra polvo, calzado de seguridad antideslizante, casco o protectores auriculares) que se utiliza en condiciones pertinentes reducirá los daños personales.
- **Evite el arranque accidental. Asegúrese de que el interruptor esté en la posición de apagado antes de conectar la herramienta a una fuente de energía o insertar una batería, así como cuando recoja o transporte la herramienta.** Al transportar herramientas eléctricas con su dedo en el interruptor o al suministrarles corriente con el interruptor en

la posición de encendido, se pueden provocar accidentes.

- **Quite cualquier llave de ajuste antes de encender la herramienta eléctrica.** Una llave conectada a una pieza giratoria de la herramienta eléctrica puede causar daños personales.
- **No se estire demasiado. Mantenga una posición y un equilibrio adecuados en todo momento.** Esto permite un mejor control de la herramienta eléctrica en situaciones inesperadas.
- **Vístase adecuadamente. No use ropa suelta ni joyas. Mantenga su cabello, su ropa y sus guantes alejados de las piezas en movimiento.** La ropa suelta, las joyas o el cabello largo pueden quedar atrapados en las partes que se mueven.
- **Si se proporcionan dispositivos para la conexión de instalaciones de recolección y extracción de polvo, asegúrese de que estos se conecten y utilicen de manera pertinente.** El uso de recolectores de polvo puede reducir los peligros relacionados con el polvo.
- **No se confíe de los conocimientos obtenidos a partir del uso frecuente de las herramientas ni pase por alto los principios de seguridad de uso de las herramientas.** Una acción negligente puede causar una lesión grave en una fracción de segundo.
- **La emisión de vibración durante el uso de la herramienta eléctrica puede ser diferente del valor total indicado en función de la forma en que se utilice la herramienta.** El usuario debe conocer las medidas de seguridad para protegerse a sí mismo, las que se basan en una estimación de la exposición en condiciones de uso reales (teniendo en cuenta todas las partes del ciclo de funcionamiento, como el período en que la herramienta está apagada y cuando esté funcionando en ralentí además del gatillo).
- **Manténgase a cierta distancia de la hoja cuando el motor esté en funcionamiento.**

Uso y cuidado de la herramienta eléctrica

- **No fuerce la herramienta eléctrica. Utilice la herramienta eléctrica correcta según su aplicación.** Con la herramienta eléctrica correcta, hará el trabajo mejor y de manera más segura a razón del propósito para la cual fue diseñada.
- **No utilice la herramienta eléctrica si no se puede encender o apagar con el interruptor.** Cualquier herramienta eléctrica que no se puede controlar con el interruptor conlleva peligros y se debe reparar.
- **Desconecte el enchufe de la fuente de energía o retire la unidad de batería de la herramienta eléctrica antes de hacer ajustes, cambiar accesorios o almacenar la herramienta eléctrica.** Tales medidas de seguridad preventivas reducen el riesgo de arranque accidental de la herramienta eléctrica.
- **Almacene las herramientas eléctricas inactivas fuera del alcance de los niños y no permita que personas que no estén familiarizadas con la herramienta**

- eléctrica o con estas instrucciones operen la herramienta eléctrica. Las herramientas eléctricas conllevan peligros en manos de usuarios inexpertos.
- Realice mantenimiento a las herramientas eléctricas. Revise en busca de atascamiento o desalineación de las piezas móviles, rotura de piezas o cualquier otra condición que pueda afectar el funcionamiento de la herramienta eléctrica. Si se daña, repare la herramienta eléctrica antes de su uso. Muchos de los accidentes se deben a herramientas eléctricas con un mal mantenimiento.
- Mantenga las herramientas de corte afiladas y limpias. Las herramientas de corte con un mantenimiento correcto y bordes cortantes afilados son menos propensas a atascamientos y más fáciles de controlar.
- Utilice la herramienta eléctrica, los accesorios, las barrenas, etc. de acuerdo con estas instrucciones, conforme a las condiciones de trabajo y la tarea que se debe realizar. El uso de la herramienta eléctrica en operaciones distintas de las previstas podría generar una situación peligrosa.
- Mantenga los mangos y las superficies de agarre secos, limpios y sin grasa ni aceite. Los mangos y las superficies de agarre resbaladizas no permiten un manejo seguro ni el control de la herramienta en situaciones imprevistas.
- Bajo ninguna circunstancia debe modificar el diseño original de la máquina sin la aprobación del fabricante. Utilice siempre piezas de repuesto originales. Las modificaciones o los accesorios no autorizados pueden provocar graves lesiones o incluso la muerte al usuario u otras personas.
- Asegúrese de que no haya tuberías ni cables eléctricos en la zona de trabajo o en el material que se va a cortar.
- Siempre revise y marque la ubicación de las tuberías de gas. Cortar cerca de las tuberías de gas siempre implica un peligro. Debido al riesgo de explosión, asegúrese de que no se produzcan chispas durante el corte. Manténgase concentrado y centrado en la tarea. Un descuido puede provocar lesiones personales graves o la muerte.

Uso y cuidado de la herramienta a batería

- Recargue únicamente con el cargador especificado por el fabricante. Un cargador apto para un tipo de unidad de batería puede implicar riesgo de incendio si se usa con otra unidad de batería distinta.
- Utilice las herramientas eléctricas únicamente con las unidades de batería específicas para ellas. El uso de otras baterías puede implicar riesgo de lesiones e incendio.
- Cuando la unidad de batería no esté en uso, manténgala alejada de otros objetos metálicos, como sujetapapeles, monedas, llaves, clavos, tornillos u otros objetos metálicos pequeños que puedan provocar una conexión entre los terminales.

Si hace un puente entre los terminales de la batería, puede causar quemaduras o un incendio.

- En condiciones extremas, la batería puede expulsar líquido; evite el contacto. Si se produjera un contacto accidentalmente, enjuáguese con agua. Si el líquido entra en contacto con los ojos, además, acuda a un médico. El líquido expulsado de la batería puede causar irritaciones o quemaduras.
- No utilice una unidad de batería ni una herramienta dañada o modificada. Las baterías dañadas o modificadas pueden presentar un funcionamiento impredecible que puede provocar un incendio, una explosión o un riesgo de lesiones.
- No exponga una unidad de batería ni una herramienta al fuego o una temperatura excesiva. La exposición al fuego o una temperatura superior a 130 °C/265 °F puede causar una explosión.
- Siga todas las instrucciones de carga y no cargue la batería ni la herramienta en condiciones que superen el rango de temperatura especificado en las instrucciones. De lo contrario, podría dañar la batería y aumentar el riesgo de incendio.

Servicio

- Asegúrese de que un experto calificado realice la reparación de la herramienta eléctrica solo con piezas de repuesto idénticas. Esto garantizará que se mantenga la seguridad de la herramienta eléctrica.
- Nunca realice servicio a unidades de baterías dañadas. Solo el fabricante o los proveedores de servicios autorizados deben realizar el servicio de las unidades de batería.

Advertencia de seguridad de la máquina cortadora

- La protección proporcionada con la herramienta se debe fijar de manera segura a la herramienta eléctrica y colocar con la máxima seguridad, de modo que el operador quede lo menos expuesto posible a la hoja. Mantenga el plano de la hoja que gira alejado de usted y de los transeúntes. La protección ayuda a proteger al operador de los fragmentos rotos de la hoja y del contacto accidental con la hoja.
- Utilice solo discos de corte de diamante o reforzados para su herramienta eléctrica. El simple hecho de que un accesorio se pueda fijar a su herramienta de trabajo no garantiza un funcionamiento seguro.
- La velocidad nominal del accesorio debe ser al menos igual al régimen máximo señalado en la herramienta eléctrica. Los accesorios que funcionan más rápido que su velocidad nominal se pueden romper y desprender.
- Las hojas se deben utilizar solo para aplicaciones recomendadas. Por ejemplo, no lije con el costado del disco de corte. Los discos de corte por abrasión están previstos para el lijado periférico; las fuerzas

laterales aplicadas a estas hojas pueden provocar que se rompan.

- **Siempre utilice bridas de hojas sin daños con el diámetro correcto para su hoja elegida.** Las bridas de hojas adecuadas sostienen la hoja, lo que reduce la posibilidad de que se rompa.
- **No use ruedas reforzadas que estén gastadas de herramientas eléctricas más grandes.** Las ruedas que están diseñadas para una herramienta eléctrica más grande no son adecuadas para una velocidad mayor de una herramienta más pequeña y podría estallar.
- **El diámetro exterior y el grosor de su accesorio deben ser adecuados para la capacidad de su herramienta eléctrica.** Los accesorios de tamaños incorrectos no se pueden proteger ni controlar adecuadamente.
- **El tamaño del eje giratorio de las hojas y las bridas debe calzar adecuadamente en el eje de la herramienta eléctrica.** Las hojas y bridas con agujeros de cenador que no coincidan con la tornillería de montaje de la herramienta eléctrica funcionarán sin equilibrio, vibrarán excesivamente y podrían causar la pérdida de control.
- **No utilice hojas en mal estado. Antes de cada uso, inspeccione las ruedas para detectar astillas y grietas. Si la herramienta eléctrica o la hoja caen, inspeccione si se produjeron daños o instale una hoja sin daños. Después de inspeccionar e instalar la hoja, coloque el plano de la hoja que gira alejado de usted y de los transeúntes, y encienda la herramienta eléctrica a velocidad máxima sin carga durante un minuto.** Generalmente, las hojas se rompen durante este tiempo de prueba.
- **Use equipo de protección personal. Según la aplicación, utilice una máscara de protección, antiparras y lentes de seguridad. Según corresponda, utilice una máscara contra polvo, protectores auriculares, guantes y un delantal para taller que pueda detener fragmentos pequeños de piezas de trabajo.** La protección ocular debe ser capaz de detener los restos eyectados generados por diversas operaciones. La máscara contra polvo o el respirador deben ser capaces de filtrar las partículas generadas por la operación. La exposición prolongada a ruidos de alta intensidad puede causar pérdida de la audición.
- **Mantenga a los transeúntes a una distancia segura de la zona de trabajo. Cualquier persona que ingrese a la zona de trabajo debe utilizar equipo de protección personal.** Los fragmentos de piezas de trabajo o una hoja rota podrían salir eyectados y causar lesiones fuera del área inmediata de trabajo.
- **Manipule la herramienta eléctrica solo en superficies de sujeción aisladas durante una operación, ya que el accesorio de corte puede entrar en contacto con cableado oculto.** Si el accesorio de corte entra en contacto con un cable con corriente, es posible que las piezas metálicas expuestas de la herramienta eléctrica reciban tensión y que el operador reciba una sacudida eléctrica.

- **Coloque el cable lejos del accesorio giratorio.** Si pierde el control, el cable podría cortarse o engancharse y su mano o brazo podrían introducirse en la hoja giratoria.
- **Nunca deje la herramienta eléctrica en el suelo hasta que el accesorio haya dejado de funcionar completamente.** La hoja giratoria puede entrar en contacto con la superficie y hacer perder el control de la herramienta eléctrica.
- **No encienda la herramienta eléctrica mientras la carga a su lado.** El contacto accidental con el accesorio giratorio podría engancharse con la ropa, lo que lo haría entrar en contacto con su cuerpo.
- **Limpie periódicamente los conductos de ventilación de la herramienta eléctrica.** El ventilador del motor atrae el polvo hacia la carcasa y la acumulación excesiva de metal pulverizado podría provocar peligros eléctricos.
- **No opere la herramienta eléctrica cerca de materiales inflamables.** Las chispas podrían encender estos materiales.

Reculada y advertencias relacionadas

- **La reculada es una reacción repentina de una hoja que gira enganchada o comprimida.** La obstrucción o el enganche causan la detención rápida de la hoja que gira, lo que causa que la herramienta eléctrica fuera de control se fuerce en la dirección opuesta de la rotación de la hoja en el punto de obstrucción.
- **Por ejemplo, si una pieza de trabajo engancha o comprime una hoja abrasiva, el borde de la hoja que entra en el punto de obstrucción puede perforar la superficie del material, lo que puede causar que la hoja se salga o se desprenda.** La hoja puede salir eyectada hacia el operador o no, según la dirección del movimiento de la hoja en el momento de la obstrucción. Las hojas abrasivas también podrían romperse en estas condiciones.
- **La reculada es el resultado de un mal uso de la herramienta eléctrica o de procedimientos o condiciones de funcionamiento incorrectos, y se puede evitar con las precauciones pertinentes, según se indica a continuación.**
- **Mantenga un agarre firme de la herramienta eléctrica y coloque el cuerpo y el brazo de modo que pueda resistir las fuerzas de las reculadas.** Siempre utilice una manilla auxiliar, si está disponible, para tener el máximo control de la reculada o reacción del par durante el arranque. El operador puede controlar las reacciones del par o las fuerzas de la reculada si se toman las precauciones adecuadas.
- **Nunca coloque su mano cerca del accesorio que gira.** El accesorio puede recular contra la mano.
- **No coloque el cuerpo en línea con la hoja que gira.** La reculada impulsará la herramienta en la dirección contraria del movimiento de la hoja en el momento del enganche.
- **Tenga especial cuidado cuando trabaje en esquinas, bordes afilados, etc.** Evite que el accesorio rebote o se enganche. Las esquinas, los bordes afilados o el

rebote tienden a enganchar el accesorio que gira y a causar la pérdida del control o reculadas.

- **No fije una cadena de sierra, una hoja de tallado de madera, una hoja de diamante segmentada con un espacio periférico mayor que 10 mm o una hoja de sierra dentada.** Esas hojas pueden generar reculadas frecuentes y pérdida del control.
- **No "atasque" la hoja ni aplique presión excesiva.** No intente aplicar una profundidad excesiva de corte. Ejercer demasiada presión de la rueda aumenta la carga y la susceptibilidad de contorsión o fijación en el corte, así como la posibilidad de que se generen reculadas o de que se rompa la rueda.
- **Cuando la hoja se obstruye o cuando interrumpe el corte por cualquier motivo, apague la herramienta eléctrica y manténgala inmóvil hasta que la hoja se detenga completamente.** Nunca intente extraer la hoja mientras esté en movimiento para evitar que se produzca una reculada. Investigue y tome medidas correctivas para eliminar la causa de la obstrucción de la hoja.
- **No reinicie la operación de corte en la pieza de trabajo.** Deje que la hoja alcance la máxima velocidad y vuelva a realizar con cuidado el corte. El disco se puede obstruir, detener o recular si la herramienta de trabajo se inicia en la pieza de trabajo.
- **Sostenga los paneles o cualquier pieza de trabajo de tamaño excesivo para minimizar el riesgo de obstrucción o reculada de la hoja.** Las piezas de trabajo grandes tienden a caerse por su propio peso. Los soportes se deben colocar en la pieza de trabajo cerca de la línea de corte y cerca del borde de la pieza de trabajo en ambos lados de la hoja.
- **Tenga cuidado adicional cuando haga un "corte recto" en muros existentes u otras zonas ciegas.** El disco que sobresale puede cortar tuberías de agua o de gas, cableado eléctrico u objetos que pueden provocar una reculada.

Instrucciones generales de seguridad



ADVERTENCIA: Lea atentamente las instrucciones de advertencia siguientes antes de usar el producto.

- Una cortadora es una herramienta peligrosa si se utiliza de forma inapropiada o incorrecta y puede provocar daños graves o mortales. Es muy importante que lea y comprenda el contenido de este manual de usuario. También se recomienda que quienes operan la máquina por primera vez reciban también instrucciones prácticas antes de utilizar el producto.
- No modifique este producto. Las modificaciones en el producto que no estén aprobadas por el fabricante pueden causar daños graves o la muerte.
- No utilice el producto si es posible que otras personas hayan realizado modificaciones en el mismo.

- Utilice siempre accesorios y piezas de repuesto originales. El uso de accesorios y piezas de repuesto que no estén aprobados por el fabricante puede causar daños graves o la muerte.
- Mantenga el producto limpio. Asegúrese de que puede leer señales y etiquetas claramente.
- Nunca permita que los niños u otras personas no capacitadas en el uso de este producto lo utilicen o le realicen mantenimiento.
- No permita que nadie que no haya leído y comprendido el contenido del manual de usuario utilice el producto.
- Restrinja el uso del producto solo a personas autorizadas.
- La distancia de seguridad de la cortadora es de 15 m/50'. Asegúrese de que no haya animales ni transeúntes en el área de trabajo.
- En este producto se genera un campo electromagnético durante su funcionamiento. Este campo puede, en determinadas circunstancias, interferir en implantes médicos activos o pasivos. Para reducir el riesgo de daños graves o mortales, se recomienda que las personas con implantes médicos consulten a su médico y al fabricante del implante médico antes de utilizar este producto.
- La información proporcionada en este manual de usuario nunca reemplaza la experiencia y las habilidades profesionales. Si se ve en una situación en la que se sienta inseguro, deténgase y busque el asesoramiento de expertos. Consulte a su concesionario de servicio. No intente realizar ninguna tarea en la cual se sienta inseguro.

Seguridad de la batería



ADVERTENCIA: Lea atentamente las instrucciones de advertencia siguientes antes de usar el producto.



ADVERTENCIA: Una batería dañada puede provocar una explosión y causar lesiones. Si la batería tiene una deformación o está dañada, hable con un taller de servicio Husqvarna autorizado.

- Utilice solo las baterías Husqvarna BLi que recomendamos para su producto. Las baterías cuentan con un software cifrado.
- Utilice solamente baterías originales para este producto. Existe riesgo de explosión si se reemplazan las baterías por baterías de tipo incorrecto. Comuníquese con su concesionario para obtener más información.
- Utilice Husqvarna BLi baterías recargables como fuente de alimentación solo para los productos Husqvarna relacionados. Para evitar daños, no utilice la batería como fuente de alimentación en otros dispositivos.

- Riesgo de sacudida eléctrica. No conecte los terminales de la batería a llaves, tornillos ni a otros objetos metálicos. Esto puede provocar un cortocircuito de la batería.
- Si se produce una filtración de la batería, no permita que el líquido entre en contacto con la piel, la ropa o el producto. Si toca el líquido, limpie el área con agua abundante y solicite asistencia médica.
- Utilice gafas protectoras cuando esté cerca de las baterías. Si le salpica líquido a los ojos, no los frote; en su lugar, enjuáguelos con agua durante, al menos, 15 minutos. Busque asistencia médica.
- No utilice baterías no recargables.
- No modifique la batería.
- No introduzca objetos en las ranuras de aire de la batería.
- Mantenga la batería alejada de la luz solar, del calor o de llamas. La batería puede explotar y causar quemaduras por fuego o químicas.
- Mantenga la batería alejada de condiciones húmedas y de la lluvia.
- Mantenga la batería alejada de microondas y de alta presión.
- No intente desarmar o romper la batería.
- Utilice la batería solo cuando la temperatura ambiente sea de entre $-10^{\circ}\text{C}/14^{\circ}\text{F}$ y $40^{\circ}\text{C}/104^{\circ}\text{F}$.
- No limpie con agua la batería o el cargador de batería. Consulte *Para limpiar la batería y el cargador de batería en la página 63*.
- No utilice baterías que estén dañadas o que no funcionen correctamente.
- Almacene las baterías en compartimientos alejados de objetos metálicos, como clavos, tornillos o joyas.
- Mantenga las baterías alejadas de los niños.
- Fije la batería correctamente. Una batería conectada incorrectamente puede provocar un cortocircuito en la batería.

Seguridad del cargador de batería



ADVERTENCIA: Lea todas las advertencias de seguridad y todas las instrucciones. Si no respeta las advertencias ni sigue las instrucciones, se pueden producir sacudidas eléctricas, incendios o daños graves.

- Existe riesgo de sacudidas eléctricas o cortocircuitos si no se siguen las instrucciones de seguridad.
- No utilice otros cargadores de batería además del proporcionado para su producto. Utilice solo cargadores QC Husqvarna cuando cargue las baterías de repuesto Husqvarna.
- No intente desarmar el cargador de batería.
- No utilice un cargador de baterías dañado o que no funcione correctamente.
- No levante el cargador de batería tirando del cable de alimentación. Para desconectar el cargador de

batería de la toma de corriente, tire del enchufe. No tire del cable de alimentación.

- Mantenga todos los cables y extensiones alejados del agua, aceite y bordes afilados. Asegúrese de que el cable no quede atrapado entre puertas, cercos u objetos similares.
- No utilice el cargador de batería cerca de materiales inflamables o materiales que puedan causar corrosión. Asegúrese de que el cargador de la batería no esté cubierto. Desconecte el cargador de batería del enchufe en caso de incendio o humo.
- Cargue la batería solo en un lugar bajo techo con buena ventilación y lejos de la luz solar. No cargue la batería al aire libre. No cargue la batería en condiciones húmedas.
- Cargue la batería solamente cuando la temperatura ambiente esté entre $5^{\circ}\text{C}/41^{\circ}\text{F}$ y $40^{\circ}\text{C}/104^{\circ}\text{F}$. Utilice el cargador en un entorno seco, libre de polvo y con buena ventilación.
- No ingrese objetos en las ranuras de aire del cargador de la batería.
- No conecte los terminales del cargador de la batería a objetos metálicos, ya que esto puede causar cortocircuitos en el cargador de la batería.
- No cargue baterías no recargables en el cargador de la batería ni las utilice en la máquina.
- Utilice tomas de corriente aprobadas que no presenten daños.

Instrucciones de seguridad para el funcionamiento

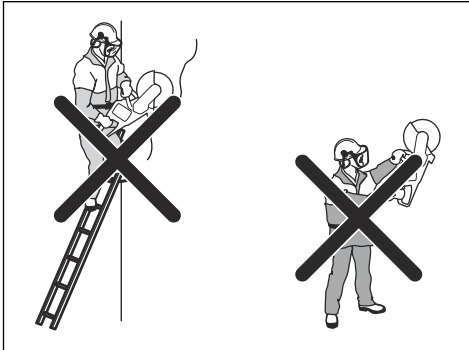


ADVERTENCIA: Lea todas las advertencias de seguridad y todas las instrucciones. Si no respeta las advertencias ni sigue las instrucciones, se pueden producir sacudidas eléctricas, incendios o daños graves.

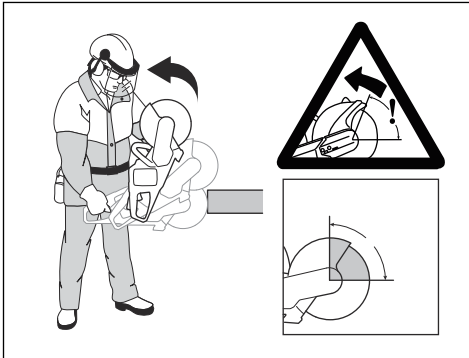
- No corte materiales de asbesto.
- Durante el corte seco, asegúrese de que el polvo se extraiga de forma segura.
- La información proporcionada en este manual no reemplaza la experiencia y el conocimiento profesional. Si no se siente seguro en alguna situación, detenga el producto. No utilice el producto en situaciones desconocidas.
- En caso de dudas acerca del funcionamiento del producto, acuda a su taller de servicio o a Husqvarna. Podemos ofrecerle información sobre cómo operar el producto de forma efectiva y segura.
- No utilice un producto, una batería o un cargador de batería si presenta daños o si no funciona correctamente.
- No toque un disco de corte que gira. Puede causar lesiones graves o la muerte.
- No utilice el producto en condiciones climáticas desfavorables, como nieblas densas, lluvias

abundantes, vientos fuertes o fríos intensos. El mal tiempo agrega riesgos como hielo en el suelo.

- No arranque un producto, a menos que todas las cubiertas y protecciones estén correctamente montadas.
- Mire a su alrededor. Asegúrese de que no hay riesgo de que personas o animales toquen el producto o afecten su control sobre este.
- No deje que los niños se acerquen al producto ni que lo usen. El producto es fácil de arrancar. Esto puede significar riesgo de daños graves.
- Retire la batería cuando no tenga una vista completa del producto. Retire la batería si no va a utilizar el producto durante un tiempo prolongado.
- Debe tener estabilidad de pie para tener un control pleno del producto. No utilice el producto si se encuentra en una escalera. No utilice el producto si no está sobre un terreno estable.
- No utilice el producto por encima de la altura de los hombros.



- Si no tiene cuidado, aumenta el riesgo de reculada.



- No sostenga el producto con una sola mano. Este producto no se controla de manera segura con una sola mano.
- No utilice un producto en una situación en que no pueda pedir ayuda si se produce un accidente.

- Asegúrese de que puede moverse alrededor con seguridad. Examine las condiciones y el terreno que lo rodea para detectar posibles obstáculos.
- La sobreexposición a las vibraciones puede producir trastornos vasculares o nerviosos en personas que padecen de trastornos circulatorios. Póngase en contacto con su médico si experimenta síntomas de la sobreexposición a las vibraciones. Estos síntomas son entumecimiento, pérdida de sensibilidad, hormigueo, ardor, dolor, pérdida de fuerza, cambios en el color o el estado de la piel. Normalmente, estos síntomas se presentan en los dedos, manos o muñecas. Estos síntomas pueden empeorar con bajas temperaturas.
- No es posible incluir todas las situaciones posibles que puede enfrentar cuando utiliza este producto. Sea siempre cuidadoso y use el sentido común.

Tenga en cuenta: Después de operar la herramienta, los protectores auriculares deben quitarse inmediatamente cuando se finaliza el aserrado para que se puedan escuchar los sonidos y las señales de advertencia.

Equipo de protección personal



ADVERTENCIA: Lea atentamente las instrucciones de advertencia siguientes antes de usar el producto.

- Siempre utilice equipo de protección personal homologado durante el funcionamiento. El equipo de protección personal no puede eliminar el riesgo de lesiones, pero reducirá el grado de lesiones en caso de que se produzca un accidente. Pida ayuda a su concesionario de servicio para elegir el equipo correspondiente.
- Utilice un casco protector aprobado.
- Use protección auricular aprobada. La exposición prolongada al ruido puede causar la pérdida permanente de la audición. Esté atento a las señales de advertencia o los avisos cuando utilice protectores auriculares. Siempre retire sus protectores auriculares apenas se detenga el motor.
- Utilice protección ocular aprobada para reducir el riesgo de lesiones causadas por objetos lanzados. Si utiliza una máscara de protección, entonces también debe utilizar gafas protectoras autorizadas. Las gafas protectoras autorizadas deben cumplir con la norma ANSI Z87.1 de EE. UU. o EN 166 para países de la UE. Los visores deben cumplir con la norma EN 1731.
- Utilice guantes resistentes.
- Utilice protección respiratoria aprobada. El uso de máquinas tales como cortadoras, amoladoras, taladros, que lijan o dan forma a materiales, puede generar polvo y vapores que pueden contener productos químicos peligrosos. Compruebe el origen del material que va a procesar y utilice una máscara respiratoria adecuada.

- Use vestimenta ceñida, reforzada y cómoda que permita una total libertad de movimiento. Las acciones de corte generan chispas que pueden prender fuego a la ropa. Husqvarna recomienda que lleve ropa de algodón retardante de llama o mezclilla gruesa. No use ropa de materiales como nailon, poliéster o rayón. Si estos materiales se encienden, pueden derretirse y adherirse a la piel. No utilice pantalones cortos.
- Utilice botas con punta de acero y suela antideslizante.
- Siempre mantenga cerca el botiquín de primeros auxilios.



- El disco de corte podría generar chispas. Tenga siempre a mano un extintor de incendios.

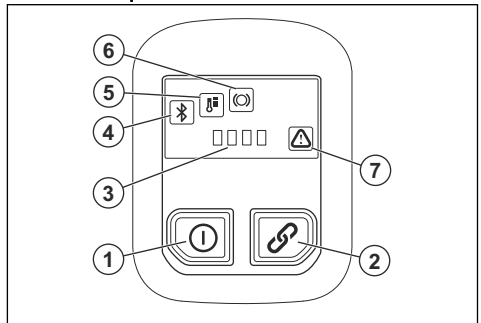
Dispositivos de seguridad en el producto



ADVERTENCIA: Lea atentamente las instrucciones de advertencia siguientes antes de usar el producto.

- No utilice un producto con dispositivos de seguridad dañados o que no funcionen correctamente.
- Revise los dispositivos de seguridad de forma regular. Si los dispositivos de seguridad están dañados o no funcionan correctamente, hable con su taller de servicio aprobado de Husqvarna.
- No modifique los dispositivos de seguridad.
- No utilice el producto si las placas de protección, las cubiertas de protección, los interruptores de seguridad u otros dispositivos protectores que estén dañados o no están conectados.

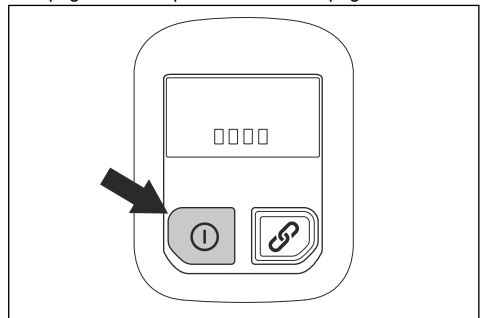
Funciones del panel de control



1. Botón On/Off
2. Botón de encendido/apagado de accesorios (no se utiliza).
3. Indicador de estado de la batería.
4. Bluetooth®. Consulte *Bluetooth® tecnología inalámbrica* en la página 56.
5. Indicador de advertencia de temperatura, alta o baja. Consulte *Indicadores LED del panel de control* en la página 66.
6. Advertencia de X-Halt. Consulte *Solución de problemas* en la página 65
7. Indicador de error/advertencia. Consulte *Solución de problemas* en la página 65.

Para revisar el panel de control

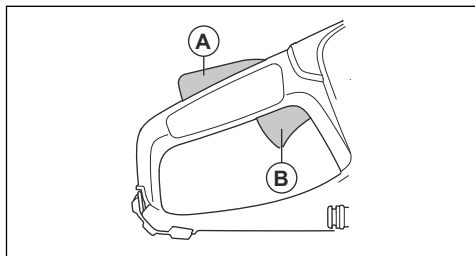
1. Mantenga presionado el botón de encendido/apagado hasta que la luz LED se encienda. Consulte *Para poner en marcha el producto* en la página 60.
2. Mantenga presionado el botón de encendido/apagado hasta que la luz LED se apague.



Bloqueo del gatillo de alimentación

El bloqueo del gatillo de alimentación está diseñado para evitar el funcionamiento accidental del gatillo. Si coloca la mano alrededor del mango y presiona el bloqueo del gatillo de alimentación (A), se libera el gatillo (B). Si suelta el mango, el gatillo de alimentación

y el bloqueo del gatillo de alimentación volverán a sus posiciones iniciales.



Función de detención automática

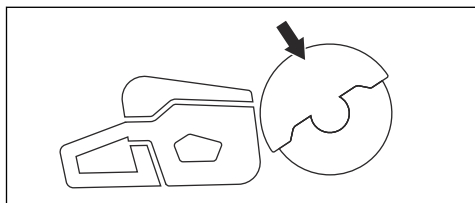
El producto cuenta con una función de parada automática que detiene el producto si no lo utiliza durante tres minutos.

Protector de la cuchilla



ADVERTENCIA: Asegúrese de que la protección del disco esté correctamente instalada antes de encender el producto. No utilice el producto si la protección de la cuchilla no se encuentra en su lugar, si tiene grietas u otros daños.

La protección del disco se instala por encima del disco de corte. La protección del disco evita lesiones si partes del disco o del material cortado salen despedidas en la dirección del operador.



Examinar la batería y la protección de la hoja



ADVERTENCIA: Un disco de corte dañado puede provocar lesiones.

1. Compruebe que el disco de corte esté correctamente fijado y que no tenga señales de daños.
2. Asegúrese de que la protección de la hoja no tenga grietas ni daños.
3. Reemplace la protección si está dañada.

Seguridad de vibración



ADVERTENCIA: Lea atentamente las instrucciones de advertencia siguientes antes de usar el producto.

- Durante el funcionamiento del producto, se transmiten vibraciones del producto al operador. El uso frecuente y regular del producto puede provocarle lesiones al operador o aumentar el grado de estas. Se pueden producir lesiones en los dedos, las manos, las muñecas, los brazos, los hombros o los nervios, así como en el riego sanguíneo u otras partes del cuerpo. Las lesiones pueden ser debilitantes o permanentes, y pueden aumentar gradualmente durante semanas, meses o años. Entre las posibles lesiones se incluyen daños en el sistema de circulación sanguínea, el sistema nervioso, las articulaciones y otras estructuras corporales.
- Los síntomas pueden presentarse durante el funcionamiento del producto o en otro momento. Si tiene síntomas y continúa utilizando el producto, los síntomas pueden aumentar o hacerse permanentes. Si se producen estos u otros síntomas, solicite asistencia médica:
 - Entumecimiento, pérdida de sensación, hormigueo, picazón, dolor, ardor, dolor pulsante, rigidez, aturdimiento, pérdida de fuerza, cambios en el color o en el estado de la piel.
- Los síntomas pueden aumentar con el frío. Utilice ropa de abrigo y mantenga las manos calientes y secas cuando utilice el producto en entornos fríos.
- Realice el mantenimiento del producto y utilícelo según se indica en el manual de usuario, para mantener un nivel de vibración correcto.
- Deje que el producto haga el trabajo. No ejerza fuerza para empujar el producto. Sujete ligeramente el producto en las manijas, pero asegúrese de controlarlo y operarlo de forma segura.
- Mantenga las manos solamente en los mangos. No acerque ninguna otra parte de cuerpo al producto.
- Detenga el producto de inmediato si se producen vibraciones fuertes repentinamente. No continúe la operación hasta eliminar la causa del aumento de las vibraciones.
- Cortar granito o concreto duro causa más vibración en el producto que cuando se corta hormigón blando. El equipo de corte roto, dañado, de tipo incorrecto o afilado incorrectamente aumenta el nivel de vibración

Instrucciones de seguridad para el mantenimiento



ADVERTENCIA: Lea atentamente las instrucciones de advertencia antes de realizar mantenimiento al producto.

- Retire la batería antes de hacer el mantenimiento, otras revisiones o el armado del producto.
- El operador solo debe hacer el mantenimiento y el servicio que se indica en el manual del usuario. Acuda a su concesionario de servicio cuando deba realizar mantenimiento y servicio a mayor escala.
- No limpie con agua la batería o el cargador de batería. Los detergentes fuertes pueden dañar el plástico.
- Si no realiza el mantenimiento, disminuye la vida útil del producto y aumenta el riesgo de accidentes.
- Se necesita capacitación especial para todos los trabajos de servicio y reparación, especialmente de los dispositivos de seguridad del producto. Si no se aprueban todas las comprobaciones establecidas en este manual del usuario después de realizar el mantenimiento, acuda al concesionario de servicio. Garantizamos que existen reparaciones y servicios profesionales disponibles para su producto.
- Solo utilice piezas de repuesto originales.

cuentan con una aprobación expresa de Husqvarna podrían anular la autorización de FCC para hacer funcionar el equipo.

Aviso: Este dispositivo cumple con la Parte 15 de las Reglas de FCC y con las normas RSS exentas de licencia de Industry Canada. El funcionamiento está sujeto a las siguientes dos condiciones:

- Este dispositivo no puede causar interferencias perjudiciales.
- Este dispositivo debe aceptar cualquier interferencia que se reciba, incluida la interferencia que pueda causar una operación no deseada.

Le présent appareil est conforme aux CNR d'Industrie Canada applicables aux appareils radio exempts de licence. L'exploitation est autorisée aux deux conditions suivantes:

- l'appareil ne doit pas produire de brouillage, et
- l'appareil doit accepter tout brouillage radioélectrique subi, même si le brouillage est susceptible d'en compromettre le fonctionnement.

Bluetooth®



AVISO: Los cambios o las modificaciones realizados al equipo que no

Montaje

Discos de corte



ADVERTENCIA: Siempre utilice guantes protectores cuando monte el producto.



ADVERTENCIA: Un disco de corte puede romperse y causar lesiones al operador.



ADVERTENCIA: Examine el disco de corte en busca de grietas, deformación por segmentos faltantes o desequilibrio antes de su uso e inmediatamente después de golpear un objeto no deseado. No utilice un disco de corte dañado. Después de inspeccionar e instalar el disco de corte, coloque el plano del disco de corte giratorio alejado de usted y de los transeúntes, y encienda la herramienta eléctrica a velocidad máxima sin carga durante un minuto.



ADVERTENCIA: El fabricante del disco de corte realiza advertencias y recomendaciones para la operación y el mantenimiento correctos del disco de corte. Estas advertencias vienen con el disco de

corte. Lea y obedezca las instrucciones que se suministran con el disco de corte.

Vibración del disco de corte



AVISO: Si utiliza el producto con demasiada fuerza, el disco de corte se puede calentar demasiado, doblar y provocar vibraciones. Utilice el producto con menos fuerza. Si las vibraciones continúan, reemplace el disco de corte.

Discos de corte aplicables



AVISO: Use cuchillas recomendadas Husqvarna para K 540i y el material que se cortará. Las cuchillas de corte recomendadas reducen el riesgo de lesiones graves y aumentan el rendimiento de corte y de X-halt. Si se utilizan cuchillas generales de alta velocidad, el rendimiento y la calidad de corte disminuirán.



ADVERTENCIA: Utilice solo discos de diamante y discos abrasivos para hormigón y metales. No utilice hojas con bordes dentados, tales como discos de corte de madera circulares u hojas con puntas de carburo. Aumenta el riesgo de reculada y las

puntas de carburo se pueden desprender y salir eyectadas a gran velocidad. Esto puede provocar lesiones o la muerte.



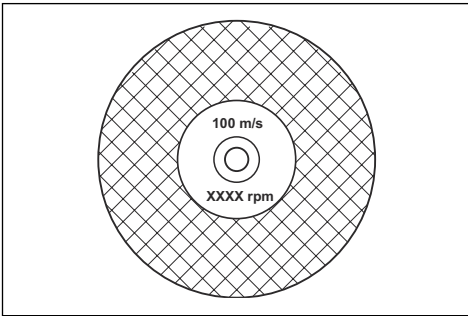
ADVERTENCIA: Nunca utilice un disco de corte para cualquier otro material al que estaba destinado a cortar.



ADVERTENCIA: Utilice solo discos de corte que cumplan con las normas nacionales o regionales aplicables, como EN12413, ANSI B7.1. o EN13236.



ADVERTENCIA: Nunca utilice un disco de corte con un valor de velocidad nominal inferior al indicado para el producto. El valor de velocidad nominal del disco de corte está marcado en el disco y el del producto está marcado en la placa de identificación.

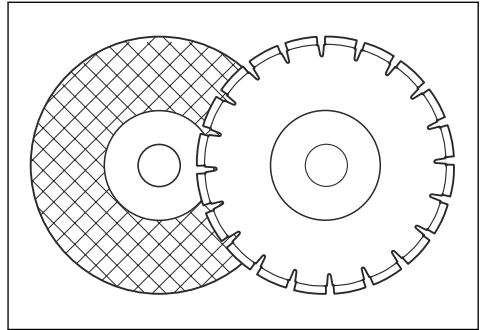


Tenga en cuenta: Muchos discos de corte que se pueden unir a este producto están fabricados para sierras estáticas. El valor de velocidad nominal de esos discos de corte es demasiado bajo para este producto.



ADVERTENCIA: No utilice discos de corte con un espesor superior al máximo recomendado. Consulte *Datos técnicos en la página 68*.

- Los discos de corte indicados para este producto están disponibles en dos modelos básicos: discos abrasivos aglomerados y discos de diamante.



- Asegúrese de que el disco de corte tenga la dimensión correcta del orificio central para el buje del eje giratorio instalado.

Cuchillas abrasivas



ADVERTENCIA: No utilice cuchillas de corte abrasivo con agua. El agua o la humedad disminuyen la resistencia de la cuchilla abrasiva y aumentan el riesgo de que la cuchilla se rompa.



AVISO: No se permite realizar cortes con cuchillas de corte abrasivo con el accesorio de aspiradora. El uso de cuchillas de corte abrasivo causa demasiado desgaste en el accesorio de aspiradora.

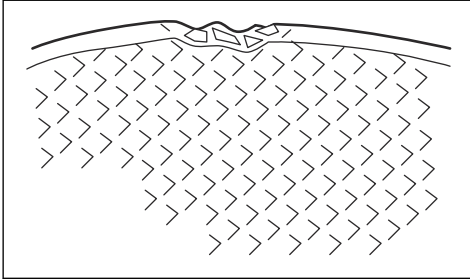


ADVERTENCIA: Utilice una cuchilla abrasiva correcta sobre el material correcto.

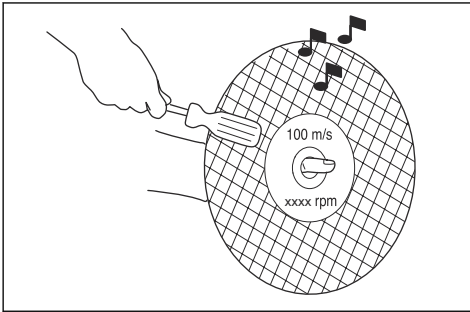
- No utilice ruedas de herramientas eléctricas más grandes. Las ruedas que están diseñadas para una herramienta eléctrica más grande no son adecuadas para una velocidad mayor de una herramienta más pequeña y podrían romperse.
- El material de corte en las cuchillas abrasivas está aglomerado con material natural que tiene un agente aglomerado de grava. Las cuchillas que están hechas de tela o fibra son más fuertes. Este tipo de cuchilla no se rompe si la cuchilla se agrieta o se daña durante la operación.
- El rendimiento de un disco de corte se proporciona por la dimensión de los granos abrasivos, y el tipo y dureza de los aglomerantes orgánicos.

Para examinar un disco de corte abrasivo aglomerado

- Asegúrese de que no haya grietas o daños en el disco de corte.



- Sostenga el disco de corte con un dedo y golpéelo suavemente con un destornillador. Si no oye un sonido claro, el disco de corte está dañado.



Cuchillas de diamante

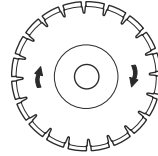


ADVERTENCIA: Las cuchillas de diamante pueden calentarse bastante cuando se utilizan. Un disco de diamante demasiado caliente ofrece un mal rendimiento, puede dañarse y presentar riesgos de seguridad.



ADVERTENCIA: No utilice discos de diamante para cortar material plástico. Un disco de diamante caliente puede derretir el plástico, lo que puede causar una reculada.

- Los discos de diamante tienen un núcleo de acero con segmentos hechos de diamantes industriales.
- Los discos de diamante se usan en mampostería, concreto reforzado y piedra.
- Asegúrese de que la hoja de diamante gire en la dirección que indican las flechas de la hoja de diamante.



- Utilice siempre una cuchilla de diamante afilada.
- Las hojas de diamante pueden desafilarse cuando se utiliza la presión de alimentación equivocada o cuando se cortan ciertos materiales, como hormigón armado duro. Si se utiliza una hoja de diamante desafilada, esta se calienta demasiado al cortar, lo que puede provocar que se aflojen los segmentos de diamante.

Para afilar el disco de corte

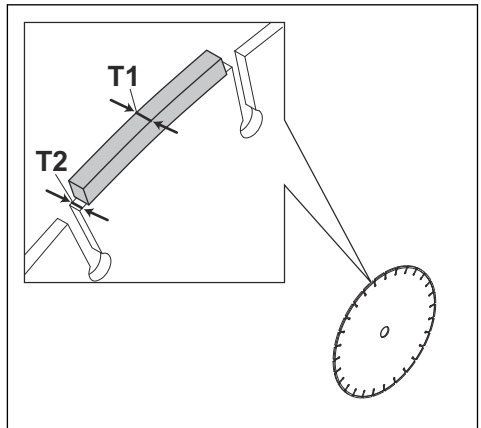
Tenga en cuenta: Para obtener los mejores resultados de corte, utilice un disco de corte afilado.

- Para afilar el disco de corte, corte un material blando como arenisca o ladrillo.

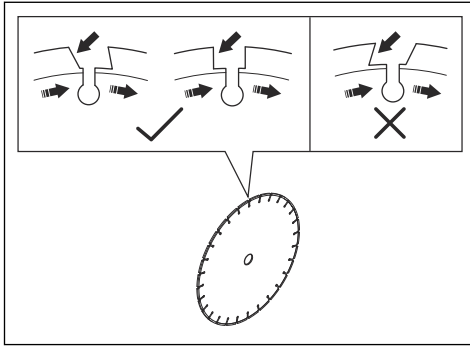
Hoja de diamante: requisitos



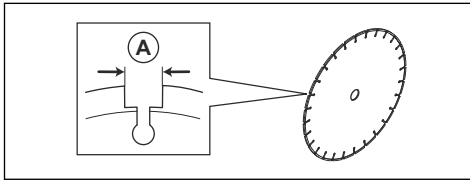
ADVERTENCIA: Asegúrese de que el segmento de diamante (T1) sea más ancho que la hoja (T2). Esto tiene la finalidad de evitar la obstrucción en la ranura de corte y una reculada.



ADVERTENCIA: No utilice hojas de diamante con ángulos de inclinación positivos.



ADVERTENCIA: No utilice hojas de diamante con un espacio mayor entre los segmentos de un máximo de 10 mm (A).



ADVERTENCIA: No utilice hojas de diamante con mayor espesor de hoja que el máximo recomendado, consulte la sección .



ADVERTENCIA: Algunas situaciones de corte y hojas gastadas pueden aumentar el desgaste del lado de los segmentos. Cambie la hoja antes de que se desgaste por completo.

Hojas de diamante para corte húmedo



ADVERTENCIA: Utilice siempre una dimensión de brida de la cuchilla que sea especificada para la dimensión actual de la cuchilla. No utilice bridas de cuchilla dañadas.

Durante la operación, la fricción provoca que la hoja de diamante adquiera una alta temperatura. Si la hoja de diamante se calienta demasiado, disminuirá la tensión de la cuchilla o provocará que el núcleo se agriete.

Deje que la hoja de diamante se enfríe antes de tocarla.

- Las hojas de diamante para corte húmedo se deben utilizar con agua para mantener fríos el núcleo de la hoja de diamante y los segmentos durante el corte. Las hojas de diamante para corte húmedo no se pueden utilizar en seco.

- Si utiliza hojas de diamante para corte húmedo sin agua, estas pueden calentarse demasiado, lo que provoca mal rendimiento, daños en las cuchillas y supone un riesgo para la seguridad.

Hojas de diamante para corte seco

- En el caso de discos de diamante para corte seco, es necesario tener suficiente flujo de aire alrededor del disco de corte a fin de disminuir la temperatura. Debido a esto, se recomiendan discos de diamante para corte seco únicamente si el funcionamiento se realiza de manera intermitente. Después de algunos segundos de funcionamiento, es necesario dejar que el disco de diamante gire libremente, lejos de la superficie de corte. Esto permite que el flujo de aire alrededor del disco disminuya la temperatura del disco de diamante.

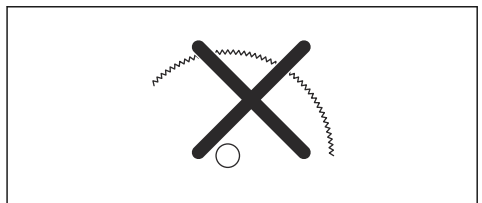
Cuchillas dentadas



ADVERTENCIA: Nunca utilice cuchillas dentadas, como discos de corte de madera, cuchillas dentadas circulares, discos con punta de carburo, etc. El riesgo de reculada aumenta considerablemente y las puntas se pueden romper y salir despedidas a gran velocidad. El descuido puede provocar lesiones personales graves o incluso la muerte.



ADVERTENCIA: Las regulaciones del gobierno requieren un tipo de protección diferente para las cuchillas con punta de carburo no disponibles en las cortadoras: una protección de 360 grados. Las cortadoras (como esta sierra) utilizan hojas de diamante y cuentan con un sistema de protección diferente que no proporciona protección contra los peligros que presentan los discos de corte de madera.



El uso de esta cortadora con una hoja de punta de carburo es una infracción de las reglas de seguridad en el trabajo.

Debido a la naturaleza peligrosa y a las exigentes circunstancias relacionadas con la extinción de incendios y con las operaciones de rescate realizadas por las diversas fuerzas de seguridad pública altamente entrenadas y por los profesionales de seguridad (bomberos), Husqvarna es consciente de que pueden

utilizar esta cortadora con cuchillas de punta de carburo en ciertas situaciones de emergencia debido a la capacidad de las cuchillas con punta de carburo para cortar diferentes tipos de obstáculos y materiales en combinación sin tener que tomarse el tiempo de cambiar las cuchillas o las máquinas. Al utilizar esta cortadora, tenga en cuenta en todo momento que, si no se utilizan correctamente, las hojas con punta de carburo presentan un mayor riesgo de reculadas que las hojas de diamante. Las cuchillas con punta de carburo también pueden arrojar piezas de material lejos de la cuchilla.

Por estas razones, nunca se debe usar una cortadora equipada con cuchilla de punta de carburo, excepto por los profesionales de seguridad pública altamente entrenados que estén al tanto de los riesgos asociados a su uso, y solo en esas circunstancias exigentes cuando otras herramientas se consideran ineficientes e inefectivas para las operaciones de extinción de incendios o rescate. Nunca se debe utilizar una cortadora equipada con una cuchilla de punta de carburo para cortar madera en situaciones que no sean de rescate.

Para examinar el eje del husillo y las arandelas de brida



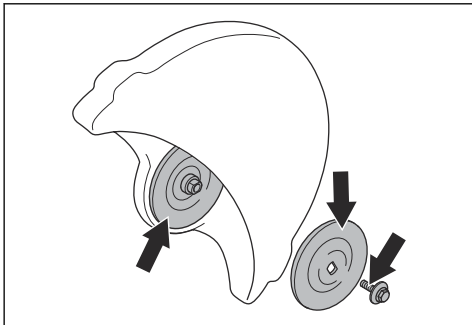
ADVERTENCIA: Utilice solamente arandelas de brida Husqvarna con un diámetro mínimo de 67 mm/2,6 in.



ADVERTENCIA: No utilice arandelas de brida dañadas, desgastadas o sucias. Utilice solamente arandelas de brida de la misma dimensión. Las arandelas de brida incorrectas pueden causar daños al disco de corte o aflojarlo.

Examine el eje del husillo y las arandelas de brida cuando reemplace el disco de corte.

1. Asegúrese de que las roscas del eje del husillo no estén dañadas. Cambie las piezas dañadas.



2. Asegúrese de que las zonas de contacto en el disco de corte y las arandelas de brida no estén dañadas. Cambie las piezas dañadas.
3. Asegúrese de que las arandelas de brida estén limpias y sean de las dimensiones correctas.
4. Asegúrese de que las arandelas de brida se muevan libremente en el eje del husillo.

Para instalar el disco de corte

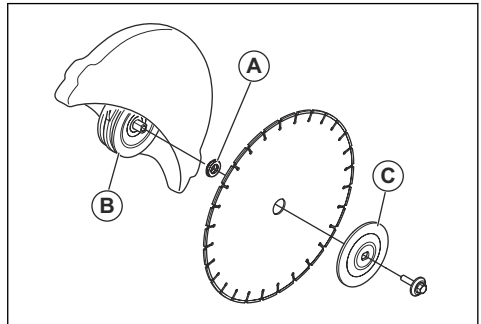


ADVERTENCIA: Asegúrese de que el motor esté apagado y que la batería esté desconectada.

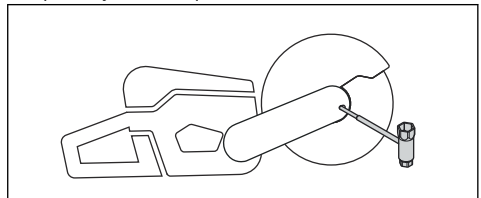


ADVERTENCIA: Siempre utilice guantes protectores cuando monte el producto.

1. Examine las arandelas de brida y el eje del husillo. Consulte *Para examinar el eje del husillo y las arandelas de brida en la página 52*.
2. Coloque el disco de corte en el buje del eje giratorio (A) entre la arandela de brida interna (B) y la arandela de brida (C). Gire la arandela de brida hasta que se sujete en el eje.



3. Coloque una herramienta en el orificio de la protección de la correa y gire el disco de corte hasta que el eje esté bloqueado.



4. Apriete el perno del disco de corte a 30 Nm/18,5 lb-pie.

Funcionamiento

Introducción



ADVERTENCIA: Asegúrese de leer y comprender el capítulo de seguridad antes de utilizar el producto.

Reculada

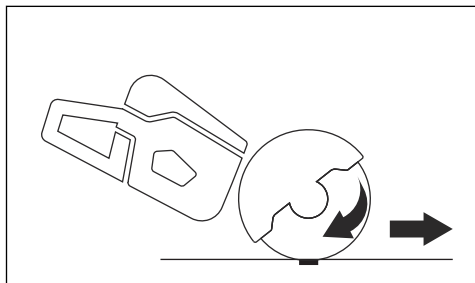


ADVERTENCIA: Las reculadas son repentinas y pueden ser muy violentas. La cortadora puede salir despedida hacia arriba y hacia atrás en dirección al usuario en un movimiento giratorio, provocando lesiones graves o mortales. Es vital comprender las causas de las reculadas y cómo evitarlas antes de utilizar el producto.

Una reculada es el movimiento repentino hacia arriba que puede ocurrir si la cuchilla se atasca o se engancha en el sector de riesgo de reculada. La mayoría de las reculadas son pequeñas y poco peligrosas. No obstante, una reculada también puede ser muy violenta y lanzar la cortadora hacia arriba y hacia atrás en dirección al usuario con un movimiento giratorio, lo que podría provocar lesiones graves o incluso mortales.

Fuerza reactiva

Una fuerza reactiva está siempre presente durante el corte. La fuerza tira del producto en dirección contraria al sentido de rotación de la cuchilla. La mayoría de las veces, esta fuerza es insignificante. Si el disco se atasca o se engancha, la fuerza reactiva será considerable y podría no ser capaz de controlar la cortadora.

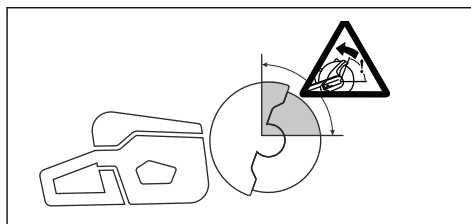


Nunca mueva el producto cuando el equipo de corte se encuentre girando. Las fuerzas giroscópicas pueden obstaculizar el movimiento específico

Sector de riesgo de reculada

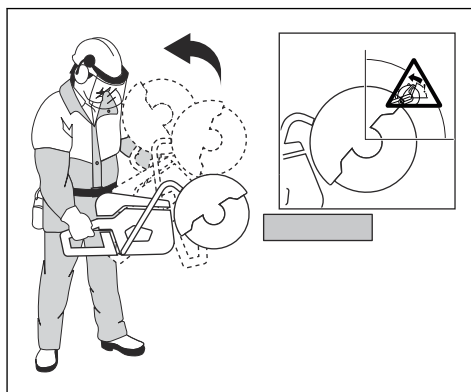
Nunca utilice el sector de riesgo de reculada de la cuchilla para el corte. Si la cuchilla se atasca o se engancha en el sector de riesgo de reculada, la fuerza

reactiva empujará la cortadora hacia arriba y hacia atrás en dirección al usuario en un movimiento giratorio, provocando lesiones graves o mortales.



Reculada giratoria

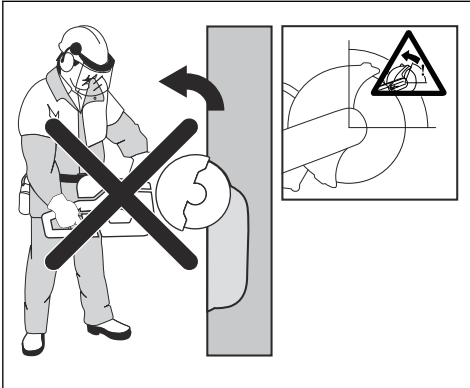
Una reculada giratoria se produce cuando el disco de corte no se mueve libremente en el sector de riesgo de reculada.



Reculada ascendente

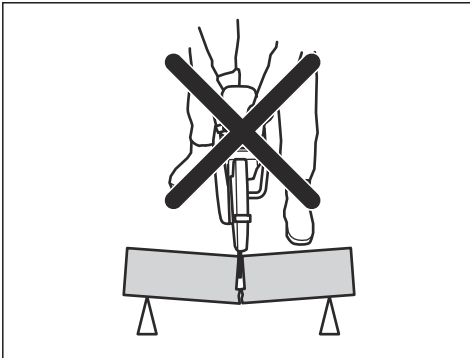
Si se utiliza el sector de riesgo de reculada para cortar, la fuerza reactiva causa que la cuchilla suba durante el corte. No utilice el sector de riesgo de reculada. Use el

cuadrante inferior de la cuchilla para evitar la reculada ascendente.



Reculada de compresión

Una compresión ocurre cuando el corte se cierra y comprime la cuchilla. Si la cuchilla se atasca o se engancha, la fuerza reactiva será considerable y podría no ser capaz de controlar la cortadora.



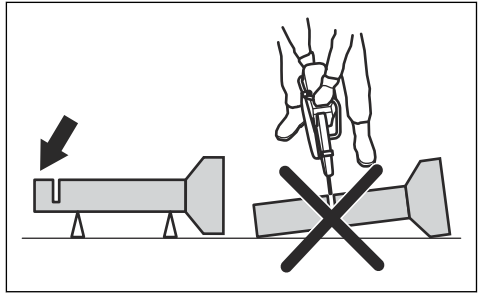
Si la cuchilla se atasca o se engancha en el sector de riesgo de reculada, la fuerza reactiva empujará la cortadora hacia arriba y hacia atrás en dirección al usuario en un movimiento giratorio, provocando lesiones graves o mortales. Preste atención al posible movimiento de la pieza de trabajo. Si la pieza de trabajo no está correctamente sujeta y se mueve durante el corte, podría apretar el disco y provocar una reculada.

Corte de tuberías

Se debe tener especial cuidado al cortar las tuberías. Si la tubería no está sujeta correctamente y el corte se mantiene abierto durante toda la operación de corte, la cuchilla se puede atascar. Tenga especial cuidado cuando corte una tubería con un extremo acampanado o una tubería dentro de una zanja, ya que si no está sujeta correctamente, podría hundirse y comprimir la cuchilla.

Si se permite que la tubería se caiga y cierre el corte, el disco se apretará en el área de reculada y podría producirse una reculada grave. Si la tubería está sujeta correctamente, el extremo de la tubería se moverá hacia abajo, se abrirá el corte y no se producirá ningún atascamiento.

Asegure la tubería para que no se mueva ni gire durante el corte. Asegúrese de que el corte se abra para evitar el atascamiento de la cuchilla.



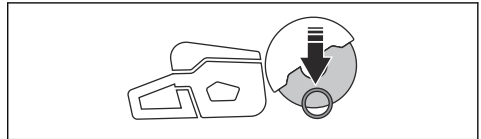
Para el corte de tuberías más pequeñas



ADVERTENCIA: Si la cuchilla se atasca en el sector de riesgo de reculada, puede provocar una reculada grave.

Si la tubería es más pequeña que la profundidad de corte máxima del producto, la operación de corte se puede realizar en 1 paso de arriba abajo.

- Corte la tubería de arriba abajo.



Para el corte de tuberías más grandes

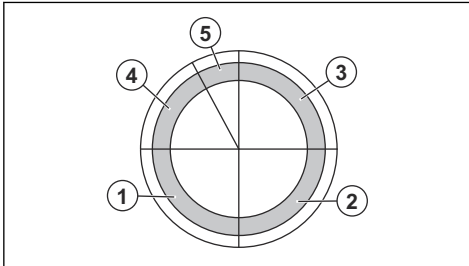


ADVERTENCIA: Si la cuchilla se atasca en el sector de riesgo de reculada, puede provocar una reculada grave.

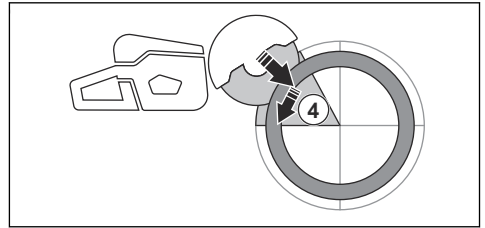
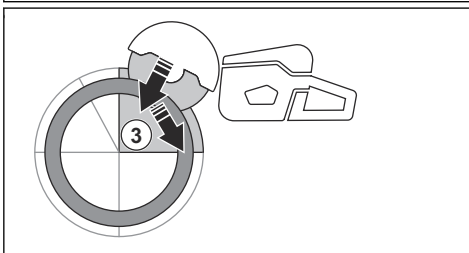
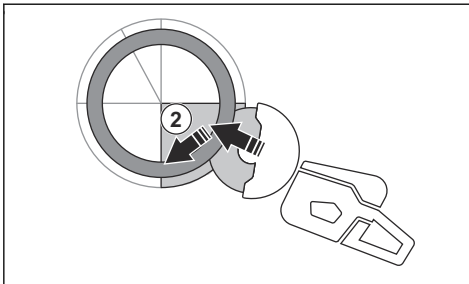
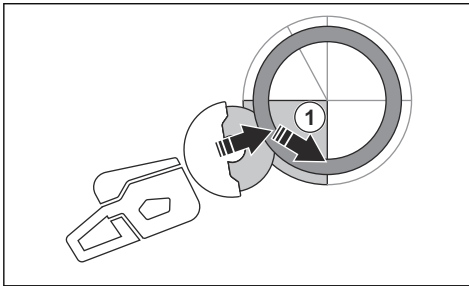
Si la tubería es más grande que la profundidad de corte máxima del producto y no se puede rodar, se debe dividir la operación de corte en 5 pasos.

- Ajuste la protección de la hoja a la modalidad de corte de tuberías. Consulte *Para establecer la modalidad de corte de tuberías en la página 59.*

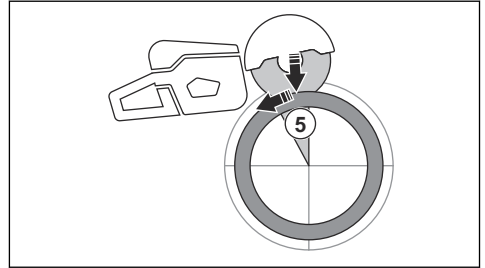
- Divida la tubería en 5 secciones. Haga una marca en esas secciones y en una línea de corte. Corte una muesca de guía superficial alrededor de la tubería.



- Corte esas secciones en 5 pasos con las direcciones de corte que muestran las flechas en cada paso.



- Realice el último corte de separación desde la parte superior de la tubería tirando hacia atrás, sin incluir al cuadrante superior de la hoja. Ajuste la protección de la hoja a la posición completamente hacia delante para obtener la máxima protección.



ADVERTENCIA: Si la tubería está sostenida correctamente, no debe atascar la hoja cuando se separe en la sección 5. Sin embargo, tenga cuidado si la hoja se atasca durante la separación final. Si la hoja está atascada en la sección inferior, el producto puede salir hacia delante y alejarse del operador, o más bien, dar como resultado una reculada giratoria.

Para evitar una reculada



ADVERTENCIA: Evite situaciones en las que existe riesgo de reculada. Tenga cuidado cuando utilice la cortadora y asegúrese de que el disco nunca se apriete en el sector de riesgo de reculada.



ADVERTENCIA: Tenga cuidado cuando ponga la cuchilla en un corte existente.

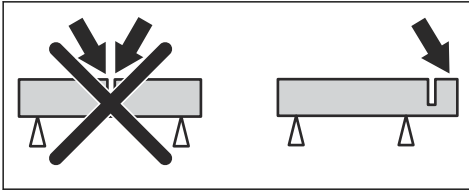


ADVERTENCIA: Asegúrese de que la pieza de trabajo no se pueda mover durante una operación de corte.



ADVERTENCIA: Solo usted y una técnica de trabajo adecuada pueden eliminar la reculada y sus peligros.

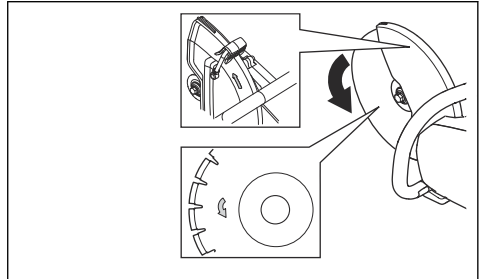
- Apoye siempre la pieza de trabajo para que el corte se pueda mantener abierto durante el corte. Cuando el corte está abierto, no hay reculada. Si el corte se cierra y comprime la cuchilla, existe un riesgo de reculada.



8. Revise el panel de control (C) para asegurarse de que funcione correctamente.
9. Asegúrese de que todas las piezas y protecciones estén correctamente conectadas, que no estén dañadas y que no falte ninguna.
10. Cargue la batería y asegúrese de que esté bien puesta en el producto. Utilice solo baterías aprobadas Husqvarna BLi para el producto.
11. Asegúrese de que la cortadora se detenga cuando suelte el gatillo de alimentación.

Para examinar el sentido de rotación del disco de corte

1. Busque la flecha en la protección de la cuchilla que indica el sentido de rotación del eje del husillo.



2. Encuentre la flecha que aparece en el disco de corte para conocer el sentido de rotación del disco.
3. Asegúrese de que la flecha de dirección del disco de corte y el eje del husillo tengan la misma dirección.

Para comprobar el buje del eje giratorio

Los bujes del eje giratorio se utilizan para conectar el producto al orificio central del disco de corte. El producto se suministra con bujes del eje giratorio que son adecuados para orificios centrales de 25,4 mm / 1 in.

- Asegúrese de que la dimensión del orificio central del disco de corte coincida con el buje del eje giratorio instalado. El diámetro del orificio central está impreso en el disco de corte.
- Utilice solo bujes del eje giratorio de Husqvarna.

Bluetooth® tecnología inalámbrica

Los productos con tecnología inalámbrica Bluetooth® integrada se pueden conectar a dispositivos móviles y habilitan funciones adicionales desde Husqvarna Connect.

El símbolo de tecnología inalámbrica *Bluetooth®* se enciende cuando el dispositivo móvil está conectado al producto.



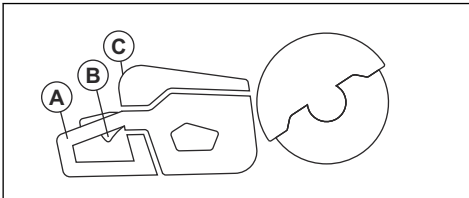
X-Halt

La función X-Halt es un sistema de freno electrónico que se conecta si se produce una reculada. La función no puede evitar completamente las lesiones personales causadas por una reculada, pero disminuye el riesgo. Se debe aplicar una técnica de trabajo segura para evitar reculadas y disminuir el riesgo de lesiones.

La función X-Halt siempre está activada cuando el producto está encendido. Si la función está activada, en el panel de control se muestra el símbolo de advertencia X-Halt hasta que el producto se enfríe. Consulte *Solución de problemas en la página 65*. Para obtener más información, consulte *Solución de problemas en la página 65*.

Haga lo siguiente antes de usar el producto

1. Lea atentamente el manual del usuario y asegúrese de entender las instrucciones.
2. Realice el mantenimiento diario. Consulte *Programa de mantenimiento en la página 62*.
3. Asegúrese de que solo personas autorizadas estén en el área de trabajo.
4. Asegúrese de encontrarse en una posición segura y estable durante la operación.
5. Asegúrese de que el conector de agua esté acoplado a un suministro de agua. Consulte *Para conectar el agua del refrigerante en la página 60*.
6. Revise el mango trasero (A) para asegurarse de que no esté dañado.



7. Revise el bloqueo del gatillo de alimentación (B) para asegurarse de que funciona correctamente y que no esté dañado.

Para utilizar la conectividad integrada con Husqvarna Fleet Services™

Tenga en cuenta: Esta sección solo se aplica a los productos suministrados con conectividad integrada.

Tenga en cuenta: La radiotransmisión mediante la función Bluetooth® se activará en la primera conexión a una batería y permanecerá encendida a partir de ese momento.

1. Descargue la aplicación para iOS o Android de Husqvarna Fleet Services™ Husqvarna Fleet Services.
2. Visite el sitio web de Husqvarna Fleet Services™ <https://fleetervices.husqvarna.com> para obtener más información.

Para conectar el cargador de la batería

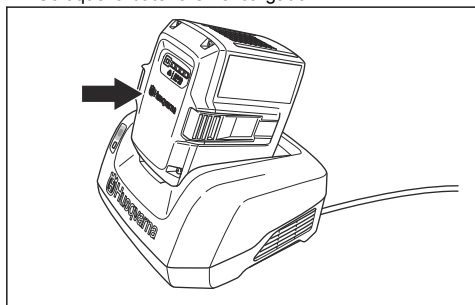
1. Conecte el cargador de la batería según el voltaje y la frecuencia especificados en la placa de características.
2. Enchufe el producto en una toma de corriente con conexión a tierra. La luz LED del cargador de batería parpadea en verde una vez.

Tenga en cuenta: La batería no se cargará si su temperatura es superior a 50 °C/122 °F. Si la temperatura es superior a 50 °C/122 °F, el cargador de la batería se encargará de enfriarla.

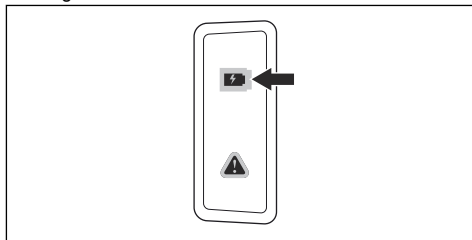
Para conectar la batería al cargador

Tenga en cuenta: Cargue la batería si es la primera vez que la utiliza. Una batería nueva solo está cargada en un 30 %.

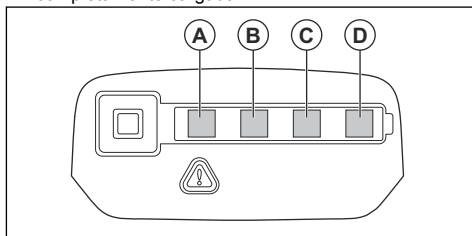
1. Asegúrese de que la batería esté seca.
2. Coloque la batería en el cargador.



3. Asegúrese de que la luz verde de carga en el cargador de la batería se encienda. Esto significa que la batería está conectada correctamente al cargador.



4. Cuando todas las luces LED de la batería se encienden, se indica que la batería está completamente cargada.



5. Para desconectar el cargador de batería de la toma de corriente, tire del enchufe. No tire del cable.
6. Quite la batería del cargador de la batería.

Tenga en cuenta: Consulte los manuales de la batería y del cargador de la batería para obtener más información.

Técnicas básicas de trabajo



ADVERTENCIA: No mueva la cortadora hacia un lado. Esto puede evitar el movimiento libre del disco y provocar que se rompa, lo que puede causar una lesión.



ADVERTENCIA: No utilice el costado de la hoja. La hoja puede dañarse y romperse, lo que puede causar una lesión. Utilice solo el borde cortante.

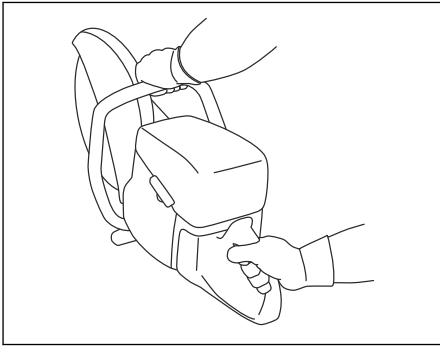


ADVERTENCIA: No utilice una hoja de diamante para cortar material de plástico. El calor que se produce puede derretir el plástico. El plástico derretido se puede adherir al disco de corte y causar una reculada.

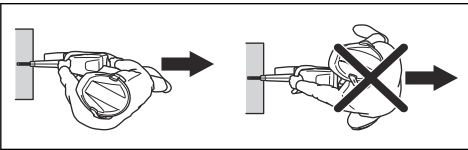
- El producto está fabricado para cuchillas de diamante de alta velocidad, cuchillas abrasivas

y cuchillas recomendadas para el producto. Use cuchillas de corte Husqvarna recomendadas para el producto.

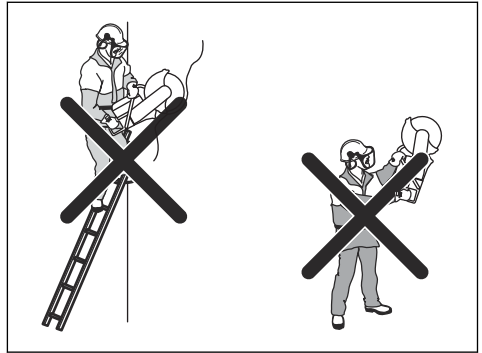
- El producto está fabricado para cortar baldosas, hormigón ligero y roca. Utilícelo solo para este tipo de operación.
- Asegúrese de que el disco de corte no presente signos de daños y que esté fijado correctamente; consulte *Cuchillas abrasivas en la página 49* y *Para instalar el disco de corte en la página 52*.
- Utilice siempre el disco de corte correcto para el tipo de operación; consulte *Discos de corte en la página 48*.
- No corte materiales de asbesto.
- Siempre sostenga la cortadora con las dos manos. Siempre sostenga firmemente el producto con los pulgares y los dedos alrededor de las manillas. Siempre sujete el mango trasero con la mano derecha y el mango delantero con la mano izquierda.



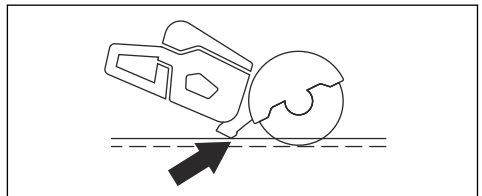
- Siempre colóquese en paralelo al disco de corte. No se coloque en línea detrás del disco de corte. En el caso de una reculada, la cortadora se moverá en el plano del disco de corte.



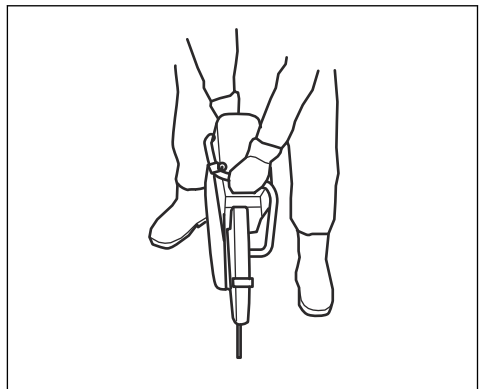
- Mantenga una distancia segura respecto del disco de corte cuando el motor está en marcha.
- Asegúrese de que se encuentre en una posición estable durante la operación.
- Mantenga una distancia razonable con respecto al objeto que se está cortando.
- No opere por encima de la altura de los hombros. Utilice una plataforma o un andamio si la operación de corte es por encima de los hombros. No se estire demasiado.
- No opere desde una escalera.



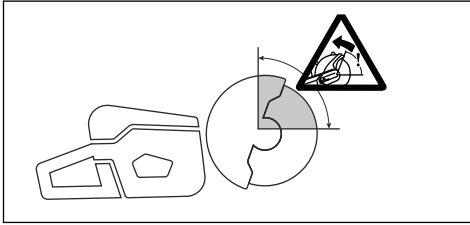
- Asegúrese de que el disco de corte esté libre cuando arranque el motor.
- Siempre vigile el producto cuando el motor esté en funcionamiento.
- No mueva el producto cuando el disco de corte gire. El producto cuenta con un retardador eléctrico para disminuir el tiempo de detención de la hoja.
- Asegúrese de que la parte delantera del soporte de suelo esté alineado con la pieza de trabajo en la parte trasera. La protección de la hoja retiene el polvo y lo mantiene alejado del operador.



- Corte con aceleración máxima. Mantenga la máxima velocidad de giro hasta que finalice la operación de corte.
- Presione el disco de corte ligeramente contra el objeto que se está cortando. No utilice fuerza.
- Alinee el disco de corte con el corte.



- Mueva el disco de corte lentamente hacia delante y hacia atrás para disminuir el área entre el disco de corte y el material. Esto disminuye la temperatura del disco de corte.



- No corte con el sector de riesgo de reculada de la cuchilla; consulte *Sector de riesgo de reculada en la página 53*.

Para establecer la modalidad de corte de tuberías



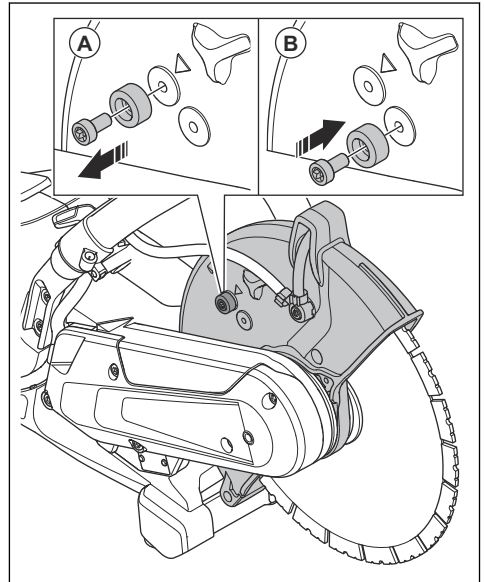
ADVERTENCIA: El mango de ajuste de la protección de la hoja puede estar muy caliente; utilice guantes cuando ajuste la protección de la hoja.



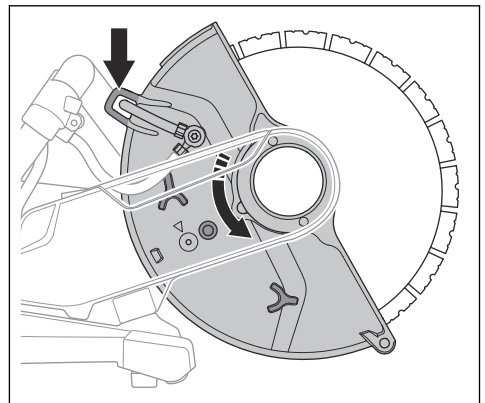
ADVERTENCIA: Utilice la modalidad de corte de tuberías solo durante la operación de corte de tuberías. En todas las demás operaciones debe utilizar la modalidad de corte estándar.

La modalidad de corte de tuberías permite cortar tuberías en el sector de riesgo de reculada.

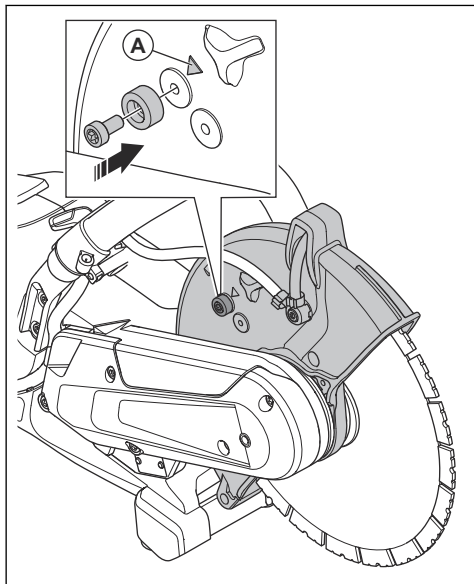
1. Mueva el perno limitador de la protección de la hoja de la modalidad de corte estándar (A) a la modalidad de corte de tuberías (B).



2. Tire del mango de ajuste para activar la modalidad de corte de tuberías.



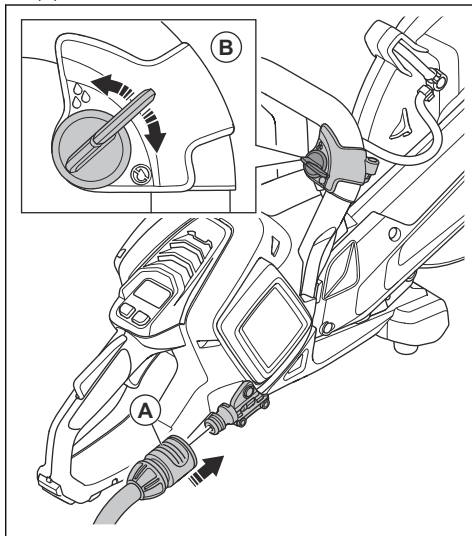
3. Vuelva a poner el perno limitador en la modalidad de corte estándar después de la operación de corte de tuberías. La flecha (A) muestra el modo de corte estándar.



- Asegúrese de que la presión del agua sea la correcta. Consulte . Si la manguera de agua se desprende de la fuente de suministro, la presión del agua suministrada puede ser demasiado alta.

Para conectar el agua del refrigerante

1. Conecte la manguera de agua al suministro de agua (A).



2. Gire la válvula de agua (B) para iniciar o detener el flujo de agua.
3. Examine la conexión de agua y la manguera para ver si hay fugas.
4. Asegúrese de que la presión del agua no sea mayor que la presión del agua máxima permitida; consulte *Datos técnicos en la página 68*.

Corte seco

- Durante el corte seco, levante el disco de corte cada 30-60 segundos y déjelo girar en el aire durante 10 segundos para que se enfríe.
- Utilice el equipo de aspiración si es posible.

Para poner en marcha el producto

1. Revise el gatillo de alimentación y el bloqueo del gatillo de alimentación. Consulte *Comprobación del bloqueo del gatillo de alimentación en la página 63*.

Corte húmedo



AVISO: No utilice equipos de aspiración con el sistema húmedo.

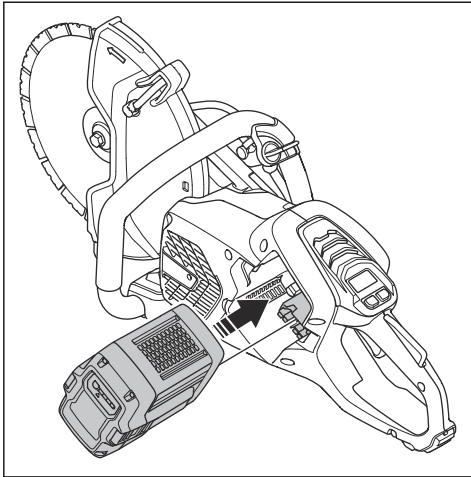
- Las hojas de diamante para corte húmedo se deben utilizar con el sistema húmedo.
- El agua enfría la hoja y aumenta la vida útil a la vez que reduce la formación de polvo.
- Durante el corte húmedo, asegúrese de recolectar el agua residual de forma segura.

Para reducir el polvo durante el funcionamiento

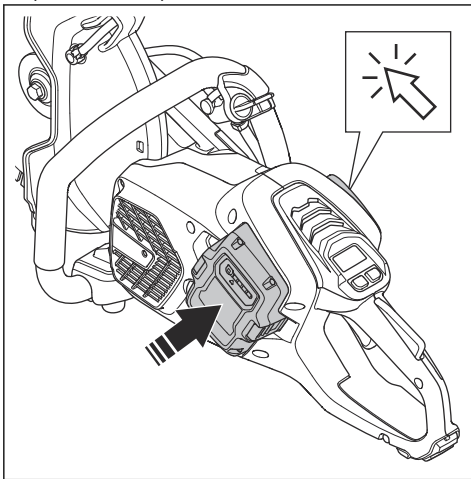
El producto cuenta con un kit de corte húmedo para disminuir la presencia de polvo nocivo en el aire durante el funcionamiento. El kit de corte húmedo tiene un bajo consumo de agua.

- Cuando sea posible, utilice discos de corte húmedo con enfriamiento por agua. Consulte *Hojas de diamante para corte húmedo en la página 51*.
- Ajuste el flujo de agua con la válvula. El flujo correcto es diferente para los distintos tipos de tareas.

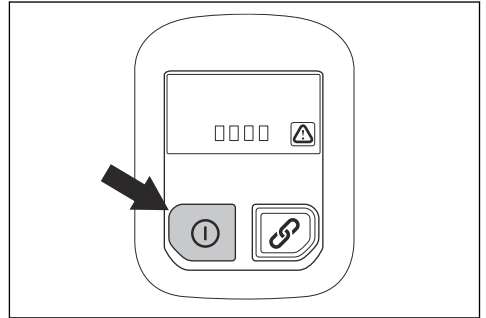
2. Coloque la batería en el soporte para la batería.



3. Empuje la parte inferior de la batería hasta que escuche un clic. Si la batería no se mueve con facilidad en el soporte de la batería, no está bien puesta en el soporte.



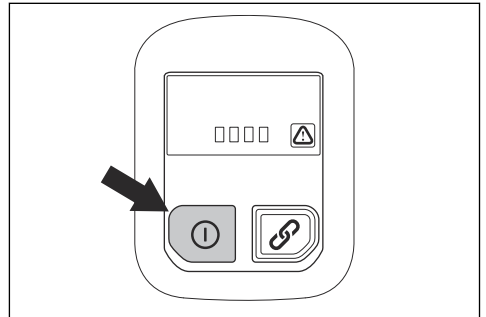
4. Mantenga presionado el botón de encendido/apagado hasta que se encienda la luz LED de color verde.



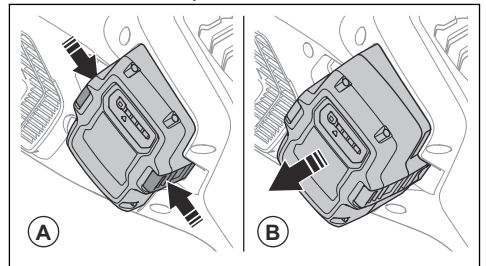
5. Presione el gatillo de alimentación para iniciar el motor.

Para detener el producto

1. Suelte el gatillo de alimentación.
2. Mantenga presionado el botón de encendido/apagado hasta que la luz LED de color verde del panel de control se apague.



3. Presione el botón de liberación de la batería y retire la batería de su soporte.



ADVERTENCIA: Extraiga la batería cuando no vaya a utilizar el producto o cuando no tenga la posibilidad de verlo completamente. Esto es para evitar un arranque accidental.

Mantenimiento

Introducción



ADVERTENCIA: Asegúrese de leer y comprender el capítulo de seguridad antes de realizar trabajos de mantenimiento en el producto.

disminuir el ciclo de vida útil del producto y aumentar el riesgo de accidentes. Todos los trabajos de servicio o reparación también los debe realizar un profesional. Consulte a su taller de servicio para obtener más información.



ADVERTENCIA: Extraiga la batería antes de realizar mantenimiento en el producto.

Programa de mantenimiento

La siguiente es una lista de pasos de mantenimiento que se deben realizar en el producto.



ADVERTENCIA: El incumplimiento de un mantenimiento correcto puede

Mantenimiento	Antes del uso	Después de su uso	Una vez al mes
Limpie las partes exteriores del producto.	X		
Asegúrese de que el gatillo de alimentación y el bloqueo del gatillo de alimentación funcionen correctamente en términos de seguridad.	X		
Revise el disco de corte. Revise que no haya grietas y asegúrese de que el disco de corte no esté inusualmente gastado. Cámbielo si fuera necesario.	X		
Revise la protección de la hoja.	X		
Revise la protección de la cuchilla.	X		
Verifique el sistema amortiguador de vibraciones.	X		
Limpie la carcasa del ventilador del producto.	X		
Asegúrese de que las tuercas y los tornillos estén apretados.	X		
Asegúrese de que el panel de control funcione correctamente y que no esté dañado.	X		
Realice una comprobación de las conexiones entre la batería y el producto. Examine también la conexión entre la batería y el cargador de batería.			X
Sople a través del producto y la batería con aire comprimido.			X
Limpie la máquina.		X	
Cambie las piezas dañadas.		X	

Para limpiar por fuera

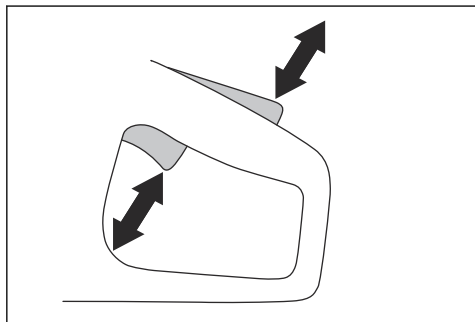


ADVERTENCIA: No use limpiadores de alta presión para limpiar el producto.

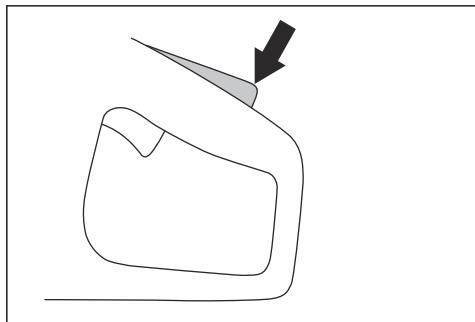
- Enjuague el producto por fuera con agua limpia después de cada día de funcionamiento. Si es necesario, utilice un cepillo.

Comprobación del bloqueo del gatillo de alimentación

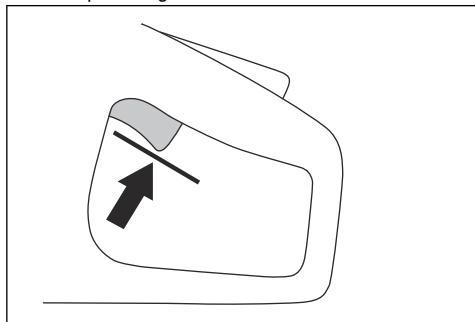
1. Asegúrese de que el gatillo de alimentación y el bloqueo del gatillo de alimentación se muevan con facilidad y que el resorte de retorno funcione correctamente.



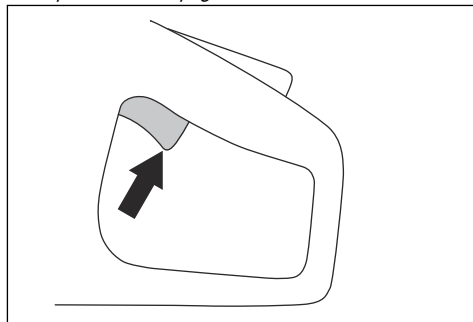
2. Presione el bloqueo del gatillo de alimentación hacia abajo y asegúrese de que vuelva a su posición inicial cuando lo suelte.



3. Asegúrese de que el gatillo de alimentación se bloquee en la posición de ralentí cuando se suelte el bloqueo del gatillo.



4. Mantenga presionado el botón de encendido/apagado para arrancar el producto y aplicar la potencia máxima. Consulte *Para poner en marcha el producto en la página 60*.



5. Suelte el gatillo de alimentación y asegúrese de que el disco de corte se detenga por completo. Si el disco de corte gira cuando el gatillo de alimentación está en la posición de ralentí, consulte a su taller de servicio.

Para limpiar la batería y el cargador de batería



ADVERTENCIA: No limpie la batería o el cargador de batería con agua.



ADVERTENCIA: No utilice sustancias químicas para limpiar la batería.

- Asegúrese de que la batería y el cargador de batería estén limpios y secos antes de colocar la batería en el cargador.
- Limpie los terminales de la batería con aire comprimido o utilice un paño suave y seco.
- Limpie las superficies de la batería y el cargador de batería con un paño suave y seco.

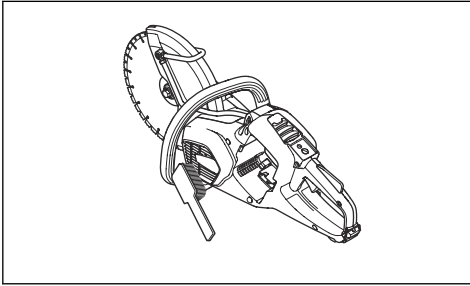
Para revisar el cargador de la batería

1. Asegúrese de que el cargador de la batería y el cable de la fuente de alimentación no estén dañados. Observe que no haya grietas ni otros daños.

Para limpiar el sistema de refrigeración

El producto cuenta con un sistema refrigerante para mantener la temperatura del producto lo más baja posible.

El sistema refrigerante incluye una toma de aire en el lado izquierdo del producto y un ventilador en el motor.



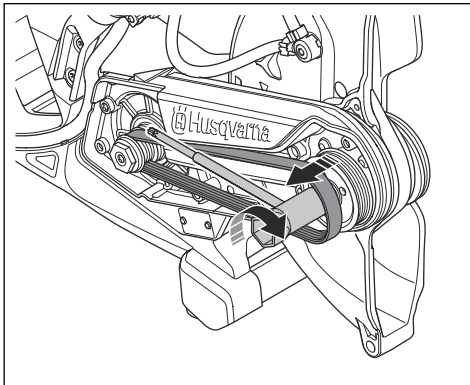
1. Limpie el sistema refrigerante con un cepillo semanalmente o con mayor frecuencia si es necesario.
2. Asegúrese de que el sistema refrigerante no esté sucio ni obstruido.



AVISO: Un sistema refrigerante sucio u obstruido puede causar que el producto se caliente en exceso.

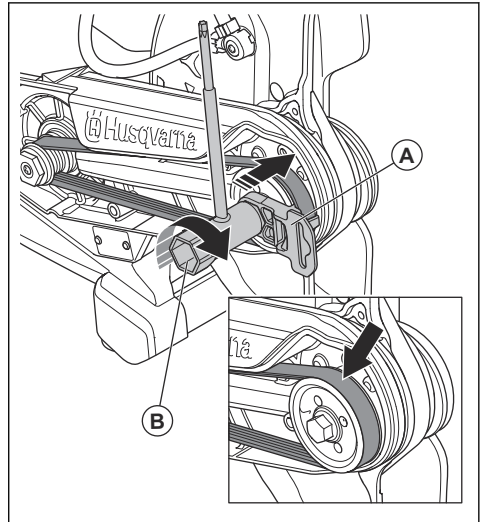
Para retirar la correa de transmisión

1. Quite la protección de la correa. Consulte *Descripción general del producto K 540i en la página 37*.
2. Coloque la herramienta de la correa en la parte superior de la polea delantera. Utilice una llave de combinación para girar la polea hacia la derecha mientras tira de la correa de transmisión fuera de la polea.



Para instalar la correa de transmisión

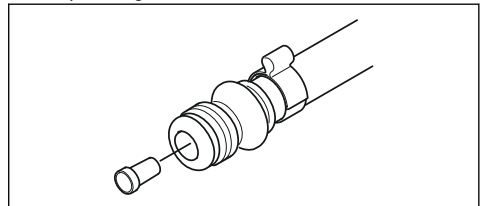
1. Coloque la correa de transmisión alrededor de la polea trasera.
2. Coloque la herramienta de montaje de la correa (A) en la parte superior de la polea delantera.



3. Gire la polea delantera hacia la derecha con la llave de combinación (B). Al mismo tiempo, empuje la correa de transmisión en la polea.
4. Instale la protección de la correa. Consulte *Descripción general del producto K 540i en la página 37*.

Para comprobar el sistema de suministro de agua

1. Examine las boquillas de la protección del disco y asegúrese de que no estén obstruidas.
2. Límpielo según sea necesario.
3. Examine el filtro del conector de agua. Asegúrese de que no esté obstruido.
4. Límpielo según sea necesario.



5. Inspeccione las mangueras y asegúrese de que no estén dañadas.

Servicio

Centro de servicio autorizado

Para encontrar el centro de servicio autorizado por Husqvarna más cercano, diríjase al sitio web de www.husqvarnaconstruction.com.

Solución de problemas

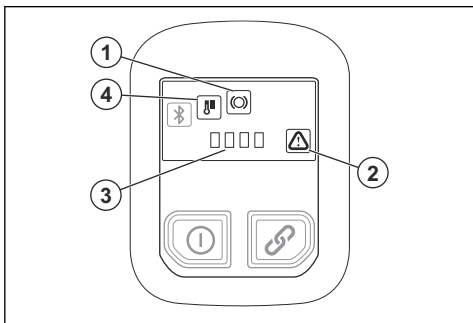
Solución de problemas del producto

Problema	Causa	Solución
El producto no arranca. No se enciende ningún LED cuando se presiona el botón de encendido/apagado en el producto.	La batería está dañada.	Realice una prueba con otra batería.
	El enchufe entre la batería y el producto está dañado.	Asegúrese de que los conectores de alimentación entre la batería y el producto no estén sucios ni dañados.
	La batería no está instalada correctamente en el producto.	Extraiga la batería e instálela correctamente.
	Se requiere mantenimiento.	Consulte a un centro de servicio de Husqvarna autorizado.
El producto está encendido, pero hay un indicador de advertencia o un indicador encendido o parpadea.	Hay un error en el producto.	Consulte a un centro de servicio de Husqvarna autorizado.
El producto está encendido, pero el motor no arranca cuando se presiona el gatillo de alimentación.	Se requiere mantenimiento.	Consulte a un centro de servicio de Husqvarna autorizado.
El motor está encendido, pero el eje de la cuchilla no gira.	La correa de transmisión está dañada o desgastada.	Retire la correa de transmisión, consulte <i>Para retirar la correa de transmisión en la página 64</i> .
Hay un ruido inusual proveniente de los cojinetes delanteros.	Los cojinetes están dañados o desgastados.	Consulte a un centro de servicio de Husqvarna autorizado.
Hay vibraciones inusuales cuando el producto está encendido.		
El producto hace un movimiento repentino cuando presiona el gatillo de alimentación y, luego, se detiene inmediatamente.	Hay un cortocircuito en la unidad de control.	Consulte a un centro de servicio de Husqvarna autorizado.
El producto se detiene durante una reculada.	La función X-Halt está activada.	Consulte a un centro de servicio de Husqvarna autorizado.
El motor hace un movimiento repentino cuando presiona el gatillo de alimentación y, luego, se detiene.	Se requiere mantenimiento.	Espere a que se desconecte el X-Halt.

Problema	Causa	Solución
El producto se detiene cuando se aplica carga de trabajo.	La carga de trabajo en el producto es demasiado alta.	Vuelva a arrancar el producto y aplique menos carga de trabajo.

Indicadores LED del panel de control

Los indicadores LED en el panel de control muestran el estado de carga de la batería y si hay problemas con el producto.



Indicador LED	Indicación	Causa	Solución
1	El indicador parpadea.	La función X-Halt está activada.	Espere a que el producto se enfríe y la función X-Halt se desconecte.
	El indicador está encendido.	Se requiere mantenimiento.	Consulte a un centro de servicio de Husqvarna autorizado.
2	El indicador parpadea.	Hay un error en la batería.	Tire del gatillo de alimentación una vez para restablecer la advertencia de error. Si vuelve a aparecer la advertencia de error, realice una prueba con una batería diferente.
		Error temporal	Tire del gatillo de alimentación una vez para restablecer la advertencia de error. Si el problema persiste, comuníquese con un centro de servicio aprobado de Husqvarna.
		El gatillo de alimentación y el botón On/Off se presionan al mismo tiempo.	Suelte el gatillo de alimentación y arranque el producto.
	El indicador está encendido.	Se requiere mantenimiento.	Consulte a un centro de servicio de Husqvarna autorizado.
3	Los 4 indicadores parpadean.	El producto realiza una actualización inalámbrica de firmware (FOTA, del inglés "Firmware Over-the-Air").	Deje que finalice la actualización FOTA.
		Se requiere mantenimiento.	Consulte a un centro de servicio de Husqvarna autorizado.

Indicador LED	Indicación	Causa	Solución
2 y 3	El indicador n.º 2 y el primer LED en el indicador n.º 3 parpadean.	El nivel de la batería es bajo.	Cargue la batería.
2 y 4	El indicador n.º 2 parpadea y el indicador n.º 4 está encendido.	Variación de temperatura.	El producto está demasiado caliente o frío.

Transporte, almacenamiento y eliminación de residuos

Transporte y almacenamiento

- Asegure bien el producto durante el transporte para evitar daños y accidentes.
- Quite el disco de corte antes de almacenar o transportar el producto.
- Mantenga el producto en un área cerrada para evitar que los niños u otras personas sin autorización puedan acceder a él.
- Mantenga los discos de corte en un lugar seco y no expuesto al frío.
- Desconecte la batería del producto.
- Examine los discos nuevos y usados para comprobar que no se hayan dañado durante el transporte y el almacenamiento antes del montaje.

Eliminación de la batería, el cargador de la batería y el producto

El siguiente símbolo significa que el producto no se debe desechar como residuo doméstico. Recíclelo en una planta de reciclaje para equipo eléctrico y electrónico. Esto ayuda a evitar daños al medioambiente y a las personas.

Comuníquese con las autoridades locales, servicio de desechos doméstico o con su concesionario para obtener más información.



Tenga en cuenta: El símbolo se muestra en el producto o en el paquete del producto.

Datos técnicos

Datos técnicos

Husqvarna K 540i		
Tensión de CC máxima/nominal, V	40/36	
Peso, kg/lb	4,2/9,3	
Profundidad máxima de corte, mm/in	100/3,9	
Diámetro máximo de cuchilla, mm/in	267/10,5	
Grosor máximo de cuchilla, mm/in	Cuchillas abrasivas	3,0/0,12
	Cuchillas de diamante	1,6/0,06
Eje de la hoja, rpm sin carga	5550	
Refrigeración por agua de la cuchilla	Sí	
Racor de conexión	Tipo "Gardena"	
Presión del agua recomendada, bar/psi	0,5-6/7,3-87	
Presión máxima del agua, bar/psi	6/87	

Declaración de ruido y vibración

Estos valores declarados se obtuvieron mediante pruebas de laboratorio, en conformidad con la directiva o las normas declaradas, y son adecuados para compararlos con los valores declarados de otros productos probados en conformidad con la misma directiva o normas. Estos valores declarados no son

adecuados para su uso en evaluaciones de riesgos, y los valores medidos en lugares de trabajo individuales pueden ser superiores. Los valores de exposición reales y el riesgo de daños que experimente un usuario individual son únicos y dependen de la forma en que el usuario trabaja, del material en que se utiliza el producto, así como del tiempo de exposición y el estado físico del usuario, y del estado del producto.

Conectividad integrada

Tenga en cuenta: Esta sección solo se aplica a los productos suministrados con conectividad integrada.

Espectro de radio de tecnología BLE	
Bandas de frecuencia para la herramienta, GHz	2,402-2,480
Potencia máxima de radiofrecuencia transmitida, dBm/mW	4/2,5

Accesorios

Baterías homologadas para el producto

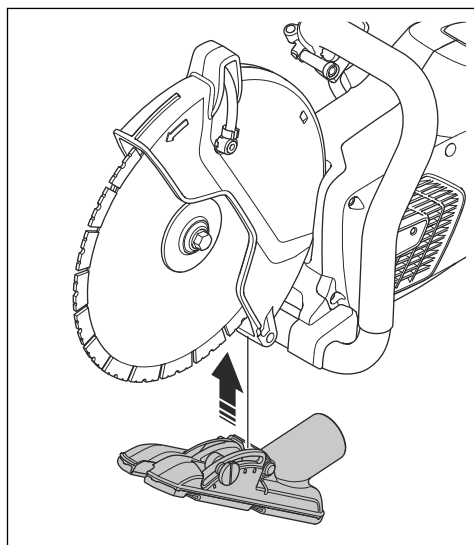
Batería	BLi200	BLi300
Tipo	Iones de litio	Iones de litio
Capacidad de la batería, Ah	5,2	9,4
Voltaje nominal, V	36	36
Peso, kg/lb	1,3 / 2,9	1,9 / 4,2

Cargadores de batería homologados para el producto

Cargador de batería	QC330	QC500
Voltaje de red, V	100-240	100-240
Frecuencia, Hz	50-60	50-60
Potencia, W	330	500

Accesorio de aspiradora (accesorio)

Utilice el accesorio de aspiradora para conectar un extractor de polvo al producto.



Declaración de conformidad del proveedor para K 540i

47 CFR § 2.1077 Información de cumplimiento

Parte responsable: Husqvarna Construction Products
North America, Inc. 17400 W 119th Street Olathe,
Kansas 66061 EE. UU. Estados Unidos

Información de contacto para EE. UU.: Neil
Stanford, gerente de cumplimiento, número telefónico:
913-928-1000

Declaración de conformidad de la FCC: Los cambios o modificaciones que no estén expresamente aprobados por Husqvarna pueden anular el cumplimiento del equipo respecto de las normas de la FCC y limitar la autoridad del usuario para operar el equipo.

Tenga en cuenta: Este equipo se probó y se comprobó que cumple con los límites de un dispositivo digital de Clase B, conforme con el Segmento 15 de las Reglas de FCC. Estos límites están diseñados para proporcionar una protección razonable contra interferencias perjudiciales en una instalación residencial. Este equipo genera, utiliza y puede irradiar energía de radiofrecuencia y, si no se instala ni se utiliza según las instrucciones, puede causar interferencias perjudiciales para las radiocomunicaciones. Sin embargo, no hay garantía de que no se producirán interferencias en una instalación particular. Si este equipo causa una interferencia perjudicial a la recepción de radio o televisión, lo que se puede determinar apagando o encendiendo el equipo, se aconseja al usuario que trate de corregir las interferencias mediante una de las siguientes medidas:

- Reoriente o reubique la antena receptora.
 - Aumente la separación entre el equipo y el receptor.
 - Conecte el equipo a una toma de un circuito diferente del que está conectado el receptor.
 - Consulte a un distribuidor o técnico de radio o televisión experimentado para obtener ayuda.
-

Marcas comerciales

La marca denominativa y los logotipos de *Bluetooth®* son marcas comerciales de *Bluetooth SIG, inc.* y cualquier uso de dichas marcas por Husqvarna está sometido a un acuerdo de licencias.

Table des matières

Introduction.....	72	Dépannage.....	102
Sécurité.....	75	Transport, entreposage et mise au rebut.....	104
Montage.....	84	Données techniques.....	105
Fonctionnement.....	89	Accessoires.....	106
Entretien.....	98	Déclaration de conformité du fournisseur pour K 540i107	
Service.....	102	Marques déposées.....	108

Introduction

Responsabilité du propriétaire



AVERTISSEMENT : Des opérations de coupe, de surfacage ou de perçage du béton ou de la pierre, particulièrement lorsque les conditions sont sèches, génèrent de la poussière qui contient souvent de la silice. La silice est un composant de base du sable, du quartz, de la brique de l'argile, du granit et de nombreux autres pierres et minéraux. L'exposition à une quantité excessive de ces poussières peut entraîner :

une maladie respiratoire (réduisant la capacité à respirer), notamment la bronchite chronique, la silicose et la fibrose pulmonaire causée par l'exposition à la silice. Ces maladies peuvent être fatales;

Des irritations et éruptions cutanées.

Le cancer, selon le NTP (National Toxicology Program) et le CIRC (Centre international de Recherche sur le Cancer).

Prendre les précautions suivantes :

Éviter l'inhalation et le contact cutané avec les poussières, brouillards et fumées.

Porter et veiller à ce que les personnes à proximité portent un dispositif de protection respiratoire approprié, tel un masque antipoussière filtrant les particules microscopiques. (Voir OSHA 29 CFR Part 1926.1153)

Pour réduire les émissions de poussières, utiliser de l'eau pour agglomérer ces dernières, lorsque cela est possible. Si une opération à sec est nécessaire, utiliser un extracteur de poussière adéquat.

Il est de la responsabilité du propriétaire ou de l'employeur de s'assurer que l'utilisateur possède les connaissances nécessaires pour manipuler le produit en toute sécurité. Les superviseurs et les utilisateurs doivent avoir lu et compris le manuel d'utilisation. Ils doivent être conscients de ce qui suit :

- Les consignes de sécurité relatives au produit.
- L'éventail d'applications du produit et ses limites.
- La manière dont le produit doit être utilisé et entretenu.

Des règlements locaux ou nationaux pourraient limiter l'utilisation de ce produit. Découvrir les règlements en vigueur où le travail est exécuté avant d'utiliser le produit.

Description du produit

Cet outil est une découpeuse portative. Le produit est alimenté par une batterie.

Le produit peut être utilisé pour les opérations à sec ou à l'eau. Se reporter à *Coupe à l'eau* à la page 96 et à *Découpe à sec* à la page 97.

Le produit est doté d'une connectivité intégrée. Se reporter à *Connectivité intégrée* à la page 75.

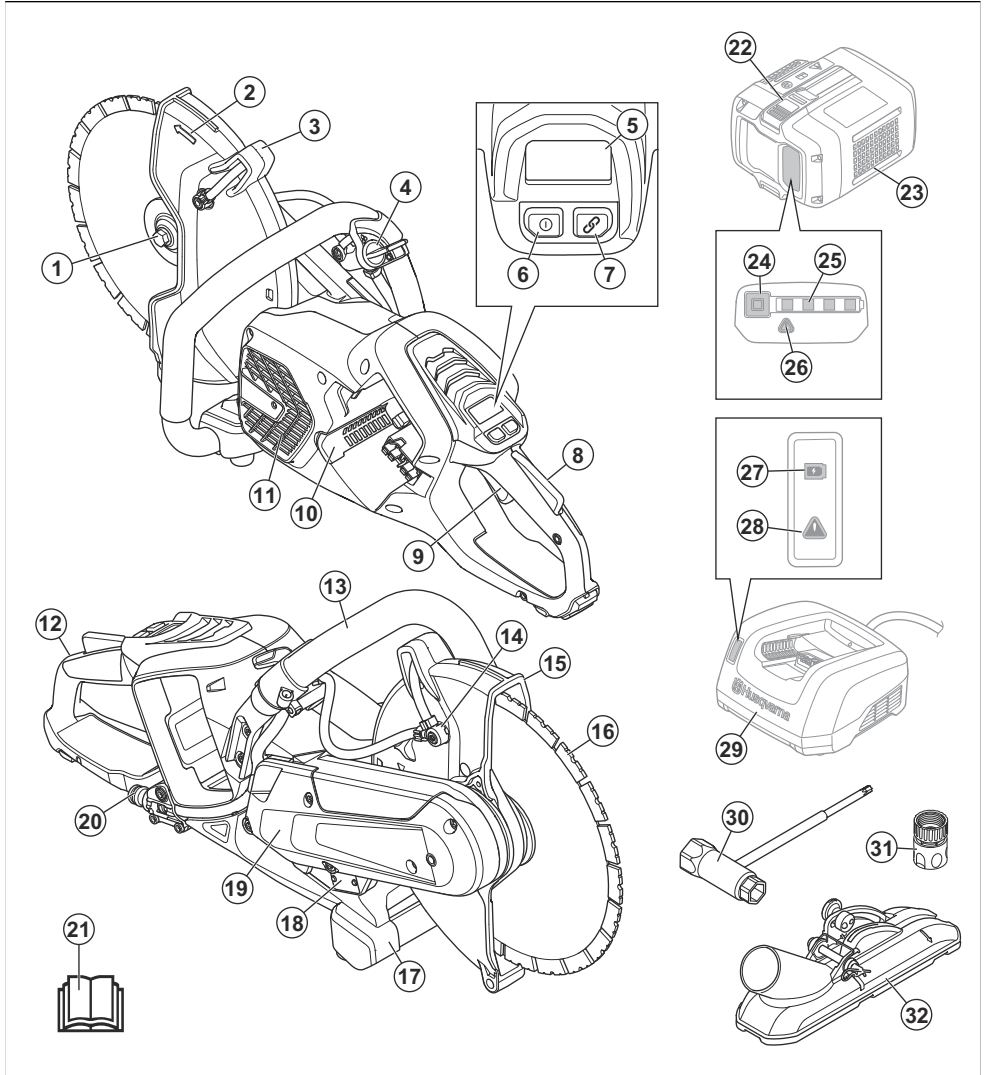
Utilisation prévue

Le produit est utilisé pour couper des matériaux durs comme le béton, la maçonnerie, la pierre et l'acier. Ne pas utiliser l'outil pour d'autres tâches. Le produit doit être utilisé uniquement par des opérateurs professionnels expérimentés.

Le travail est constamment en cours pour augmenter votre sécurité et l'efficacité pendant l'utilisation. Pour obtenir de plus amples renseignements, communiquer avec votre centre de services.

Remarque : Les règlements locaux ou nationaux peuvent limiter l'utilisation de ce produit.

Présentation du produit K 540i



- | | |
|--|-------------------------------|
| 1. Bride, tige et bague de l'arbre | 9. Gâchette |
| 2. Sens de rotation de la broche | 10. Emplacement de batterie |
| 3. Poignée de réglage du protège-lame | 11. Admission d'air du moteur |
| 4. Valve d'eau | 12. Poignée arrière |
| 5. Panneau de commande | 13. Poignée avant |
| 6. Bouton On/Off (marche/arrêt) | 14. Buse d'eau |
| 7. Bouton de marche/arrêt pour accessoires (non utilisé) | 15. Protège-lame |
| 8. Mécanisme de verrouillage de la gâchette | 16. Lame de coupe |
| | 17. Soutien au sol |

18. Plaque signalétique
19. Carter de courroie
20. Raccord d'eau avec filtre
21. Manuel d'utilisation
22. Bouton de déverrouillage de la batterie
23. Batterie (non comprise)
24. État de la batterie
25. Indicateur d'état de charge
26. Témoin d'avertissement
27. Indicateur d'état de charge
28. Témoin d'avertissement
29. Chargeur de batterie (non inclus)
30. Clé à usages multiples
31. Raccord d'eau, GARDENA
32. Accessoire pour aspirateur (non inclus)



Assurez-vous que le disque découpeur ne présente pas de fissures ou d'autres dommages.



Ne pas utiliser des lames de scie circulaire.



Si le produit est doté de la technologie sans fil Bluetooth®. Le symbole Bluetooth® sera marqué sur l'étiquette du nom du produit.



Marque relative à l'environnement. Le produit ou l'emballage du produit n'est pas un déchet domestique. Recycler dans un centre de recyclage pour équipements électriques et électroniques.

Symboles figurant sur le produit



AVERTISSEMENT : Ce produit peut être dangereux et causer des blessures très graves, ou même mortelles, à l'utilisateur et à d'autres personnes. Faire attention et utiliser le produit correctement.



Lire soigneusement le manuel d'instructions et veiller à bien comprendre les directives avant d'utiliser cette machine.



Porter un casque de protection et des protections pour les oreilles, les yeux et les voies respiratoires homologués. Se reporter à la section *Équipement de protection personnelle à la page 82*.



De la poussière se forme lors de la découpe. La poussière peut occasionner des blessures si elle est inhalée. Utiliser une protection respiratoire adéquate. Toujours assurer une bonne ventilation.



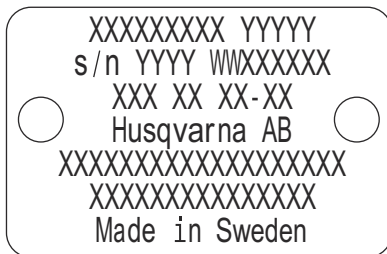
Les étincelles provenant du disque découpeur peuvent provoquer un incendie dans le carburant, le bois, les vêtements, l'herbe sèche ou d'autres matériaux inflammables.



AVERTISSEMENT! Les rebonds peuvent être soudains, rapides et violents et causer des blessures pouvant être mortelles. Lire et comprendre les instructions du manuel avant d'utiliser le produit. Se reporter à la section *Fonctionnement à la page 89*.

Remarque : Les autres symboles et autocollants apposés sur le produit se rapportent aux exigences en matière de certification pour certains marchés.

Plaque signalétique



Rangée 1 : Marque et modèle

Rangée 2 : Numéro de série avec date de fabrication : Année, semaine, n° de séquence

Rangée 3 : Numéro du produit

Rangée 4 : Fabricant

Rangée 5 : n = vitesse nominale de l'arbre de sortie, /min = tours par minute, ø = diamètre de la lame, filetage du boulon de broche.

Rangée 6 : Tension maximale et nominale, d.c.= courant continu

Rangée 7 : Pays d'origine

Connectivité intégrée

La solution de gestion des actifs dans le nuage Husqvarna Fleet Services™ donne au gestionnaire de parc une vue d'ensemble de tous les produits connectés par l'intermédiaire de capteurs intégrés ou de capteurs du marché secondaire. La position de la passerelle ou du téléphone intelligent peut être utilisée pour indiquer l'emplacement des produits connectés. Les capteurs enregistrent des données comme la durée de fonctionnement, les intervalles d'entretien, etc. Pour obtenir de plus amples renseignements sur la solution de gestion des actifs dans le nuage Husqvarna Fleet Services™, télécharger l'application iOS ou Android Husqvarna Fleet Services sur <https://apps.apple.com/se/app/husqvarna-fleet-services/id1334672726> ou <https://play.google.com/store/apps/details?id=com.husqvarna.hfsmobile&hl=en>. Pour obtenir de plus amples renseignements, communiquer avec le représentant des ventes Husqvarna.

Certains types de ce produit sont connectés au moyen du capteur Husqvarna Fleet Services™ intégré qui dispose de la fonction Bluetooth Low Energy (BLE). Pour obtenir de plus amples renseignements sur son utilisation, se reporter à *Pour utiliser la connectivité intégrée avec Husqvarna Fleet Services™ à la page 93*. Pour obtenir des renseignements sur le spectre radio de la technologie BLE, se reporter à la section *Connectivité intégrée à la page 105*. Pour les limites de conformité concernant Husqvarna Fleet Services™, se reporter à *Limites de conformité à la page 75*.

Limites de conformité

Remarque : Les modifications apportées à cet équipement non expressément approuvées par Husqvarna peuvent annuler la conformité de l'équipement aux règlements de la FCC (Commission fédérale des communications américaine) et limiter le droit de l'utilisateur à utiliser l'équipement.

Remarque : Cet appareil est conforme à l'article 15 de la réglementation FCC et à la norme RSS d'Industrie Canada pour les appareils exempts de licence.

Son utilisation est soumise aux deux conditions suivantes :

- Cet appareil ne doit pas causer d'interférences nuisibles
- Cet appareil doit accepter toute autre interférence, y compris les interférences pouvant causer un fonctionnement non désiré

Produit endommagé

Nous ne sommes pas responsables des dommages causés à notre produit si :

- Le produit n'est pas réparé de façon adéquate.
- Le produit est réparé avec des pièces qui ne sont pas fournies ou homologuées par le fabricant.
- Le produit comprend un accessoire qui n'est pas fourni ou homologué par le fabricant.
- Le produit n'est pas réparé par un centre de service après-vente agréé ou par une autorité homologuée.

Sécurité

Définitions relatives à la sécurité

Les avertissements, recommandations et remarques soulignent des points du manuel qui revêtent une importance particulière.



AVERTISSEMENT : Indique la présence d'un risque de blessure ou de décès de l'utilisateur ou de personnes à proximité si les instructions du manuel ne sont pas suivies.



MISE EN GARDE : Indique la présence d'un risque de dommages au produit, à d'autres appareils ou à la zone adjacente si les instructions du manuel ne sont pas suivies.

Remarque : Utilisé pour donner des renseignements plus détaillés qui sont nécessaires dans une situation donnée.

Consignes générales de sécurité relatives aux outils électriques



AVERTISSEMENT : Lire toutes les instructions et consignes de sécurité. Le non-respect de ces instructions et consignes peut provoquer une électrocution, un incendie et des blessures graves.



AVERTISSEMENT : Ne pas laver la machine avec de l'eau sous pression, car l'eau peut s'infiltrer dans le système électrique ou le moteur et endommager la machine ou engendrer un court-circuit.

Remarque : Conserver ces instructions et consignes pour consultation ultérieure. Dans les avertissements, le terme « outil électrique » fait référence à votre appareil électrique branché sur le secteur ou alimenté par batterie (sans fil).

Sécurité de l'aire de travail

- **Maintenir l'aire de travail propre et bien éclairée.** Les endroits sombres ou encombrés sont propices aux accidents.
- **Ne pas utiliser des outils électriques dans des atmosphères explosives, notamment en présence de liquides, gaz ou poussières inflammables.** Les outils électriques produisent des étincelles qui peuvent enflammer les poussières et les vapeurs.
- **Tenir les enfants et les spectateurs à distance lorsque l'outil électrique est en marche.** Un moment d'inattention pourrait vous en faire perdre le contrôle.

Sécurité électrique

- **La fiche d'un outil électrique doit être adaptée à la prise. Ne jamais modifier la fiche. Ne jamais utiliser une fiche d'adaptation avec un outil électrique mis à la terre.** Les fiches non modifiées et les prises adaptées à la fiche permettent de réduire les risques d'électrocution.
- **Éviter d'entrer en contact avec les surfaces mises à la terre (tuyaux, radiateurs, cuisinières, réfrigérateurs, etc.).** Le risque d'électrocution est plus important si le corps de l'opérateur est mis à terre.
- **Ne pas exposer les outils électriques à la pluie ou à l'humidité.** L'infiltration d'eau dans un outil électrique augmente le risque d'électrocution.
- **Toujours manipuler le cordon avec soin. Ne jamais utiliser le cordon pour porter, tirer ou débrancher l'outil électrique. Tenir le cordon à l'écart de la chaleur, de l'huile, des bords tranchants et des pièces mobiles.** Les cordons endommagés ou emmêlés augmentent le risque d'électrocution.
- **Pour le travail à l'extérieur, utiliser une rallonge adaptée à l'usage extérieur.** L'utilisation d'une telle rallonge réduit le risque d'électrocution.
- **Si l'utilisation de l'outil électrique dans un endroit humide ne peut être évitée, utiliser une source d'alimentation protégée par disjoncteur de courant résiduel.** Les disjoncteurs de courant résiduel réduisent le risque d'électrocution.
- **Lors de l'utilisation d'un outil électrique, toujours demeurer attentif et faire preuve de bon sens. Ne pas utiliser l'outil électrique si vous êtes fatigué ou sous l'emprise de drogues, de l'alcool ou de médicaments.** Tout moment d'inattention pendant l'utilisation d'un outil électrique peut causer de graves blessures.
- **Utiliser de l'équipement de protection individuelle. Toujours porter des lunettes de protection.** L'équipement de protection (masque antipoussière, chaussures de sécurité antidérapantes, dispositif de protection pour les oreilles, etc.) utilisé selon les conditions présentes réduit les risques de blessure.
- **Prévenir les démarrages accidentels. Vérifier que l'interrupteur est à la position d'arrêt avant de brancher l'outil dans la prise ou le bloc d'alimentation, de le saisir ou de le transporter.** Le transport des outils électriques en maintenant le doigt sur l'interrupteur d'alimentation et le branchement d'outils alors que l'interrupteur est à la position de marche expose à des accidents.
- **Retirer toute clé ou clavette de réglage avant de mettre l'outil sous tension.** Une clé ou une clavette reliée à une pièce mobile de l'outil électrique peut causer une blessure.
- **Ne pas trop se pencher vers l'avant. Toujours se tenir bien campé et en équilibre.** Cela permet de mieux contrôler l'outil électrique lors d'un imprévu.
- **S'habiller de façon appropriée. Ne jamais porter des vêtements amples ou des bijoux. Garder les cheveux, les vêtements et les gants loin des pièces mobiles.** Les vêtements amples, bijoux et cheveux longs peuvent se prendre dans les pièces en mouvement.
- **Si des dispositifs sont fournis pour raccorder des systèmes de collecte et d'extraction de la poussière, s'assurer que ceux-ci sont utilisés et correctement branchés.** L'utilisation de dépoussiéreurs peut réduire les risques associés à la poussière.
- **Ne pas laisser la parfaite connaissance de l'outil acquise en raison de l'utilisation fréquente de ce dernier engendrer la complaisance et le non-respect des principes de sécurité relatifs à l'outil.** Une négligence peut provoquer de graves blessures en une fraction de seconde.
- **Les vibrations produites pendant l'utilisation de l'outil peuvent différer de la valeur totale déclarée, selon la manière dont l'outil est utilisé.** L'utilisateur doit déterminer les mesures de sécurité qui sont nécessaires à sa protection sur la base d'une estimation de son exposition dans les conditions d'utilisation réelles (en tenant compte de chaque

phase du cycle opératoire, soit lorsque l'outil est éteint, lorsqu'il est utilisé activement et lorsqu'il fonctionne au ralenti).

- **Se tenir loin de la lame quand le moteur tourne.**

Utilisation et entretien des outils électriques

- **Ne pas forcer sur l'outil électrique. Utiliser l'outil électrique qui convient au travail à effectuer.** De cette façon, le résultat sera meilleur et le travail sera effectué de façon plus sécuritaire et au régime pour lequel l'outil électrique a été conçu.
- **Ne pas utiliser l'outil électrique si l'interrupteur ne permet pas la mise sous tension et l'arrêt de l'outil.** Tout outil électrique dont l'interrupteur est défectueux représente un danger et doit être réparé.
- **Débrancher la fiche de la prise ou du bloc d'alimentation avant de procéder aux réglages, de changer les accessoires ou de ranger l'outil.** Ces mesures de sécurité réduisent le risque de mise sous tension accidentelle.
- **Ranger les outils électriques hors de la portée des enfants et ne pas laisser des personnes qui ne connaissent pas l'outil ou les présentes consignes utiliser celui-ci.** Les outils électriques représentent un danger lorsqu'ils sont entre les mains d'utilisateurs non formés.
- **Entretenir les outils électriques correctement. Vérifier l'outil à la recherche de pièces brisées, de mauvais alignement ou de blocage des pièces mobiles et de toute autre situation pouvant nuire au bon fonctionnement de l'outil.** Si l'outil est endommagé, il faut le réparer avant de l'utiliser. De nombreux accidents sont causés par des outils mal entretenus.
- **Maintenir les outils tranchants aiguisés et propres.** Les outils tranchants correctement entretenus dont les bords de coupe sont bien affûtés sont moins susceptibles de se coincer et plus faciles à contrôler.
- **Utiliser l'outil électrique, les accessoires, les forets, etc., conformément aux présentes instructions et en tenant compte des conditions de travail et de la tâche à réaliser.** L'utilisation de l'outil électrique pour des opérations autres que celles pour lesquelles il est prévu peut entraîner des dangers.
- **Garder les poignées et les surfaces de préhension sèches, propres et exemptes d'huile et de graisse.** Les poignées et les surfaces de préhension glissantes ne permettent pas de manipuler l'outil de manière sécuritaire, ni d'en conserver le contrôle lorsqu'une situation inattendue se présente.
- **Il ne faut en aucun cas modifier la conception originale de la machine sans l'approbation du fabricant.** Toujours utiliser des pièces de rechange d'origine. Les modifications et/ou les accessoires non autorisés peuvent entraîner des blessures graves ou la mort de l'utilisateur ou d'autres personnes.

- **S'assurer qu'aucun tuyau ou câble électrique ne passe dans l'aire de travail ou dans le matériau à découper.**
- **Toujours vérifier et marquer l'emplacement des conduites de gaz.** Il est toujours dangereux de couper près de conduites de gaz. S'assurer qu'il n'y a pas de production d'étincelles lorsqu'on coupe, afin d'éviter le risque d'explosion. Toujours rester concentré et axé sur la tâche. Toute négligence peut entraîner de graves blessures, ou même la mort.

Utilisation et entretien des outils électriques à batteries

- **Ne recharger qu'avec le chargeur indiqué par le fabricant.** Un chargeur convenant à un type de bloc de batteries particulier peut entraîner un risque d'incendie s'il est utilisé avec un autre bloc de batteries.
- **N'utiliser des outils électriques qu'avec les blocs de batteries spécifiquement indiqués.** L'utilisation d'autres groupes de batteries peut entraîner un risque de blessure et d'incendie.
- **Lorsqu'on n'utilise pas le bloc de batteries, le tenir à l'écart d'objets métalliques, tels que les trombones, pièces de monnaie, clés, clous, vis ou autres petits objets en métal, qui peuvent établir une connexion entre les bornes.** La mise en court-circuit des bornes de la batterie peut provoquer des brûlures ou un incendie.
- **Une utilisation abusive peut laisser s'échapper du liquide de la batterie; éviter tout contact. En cas de contact accidentel, rincer abondamment à l'eau. Si du liquide entre en contact avec les yeux, consulter en outre un médecin immédiatement.** Le liquide échappé de la batterie peut provoquer des irritations ou des brûlures.
- **Ne pas utiliser un bloc de batteries ou un outil défectueux ou modifié.** Les batteries endommagées ou modifiées peuvent se comporter de manière inattendue et provoquer un incendie, une explosion ou des blessures potentielles.
- **Ne pas exposer un bloc de batteries ou l'outil au feu ou à une température excessive.** Une exposition au feu ou à une température supérieure à 130°C (265°F) peut provoquer une explosion.
- **Suivre toutes les instructions de charge et ne pas charger la batterie ou l'outil en dehors de la plage de températures spécifiée dans les instructions.** Charge incorrectement ou à des températures en dehors de la plage spécifiée peut endommager la batterie et augmenter les risques d'incendie.

Réparations

- **Faire entretenir votre outil électrique par un technicien qualifié et utiliser uniquement des pièces de rechange identiques aux pièces d'origine.** L'entretien adéquat de l'outil permet une utilisation plus sécuritaire.

- **Ne jamais tenter de réparer un bloc de batteries endommagé.** La réparation des blocs de batteries ne devrait être effectuée que par le fabricant ou les fournisseurs de service autorisés.

Avertissement de sécurité de la découpeuse

- **Le dispositif de protection fourni avec l'outil doit être correctement fixé à l'outil électrique et placé de façon à offrir la sécurité maximale en exposant le moins possible l'opérateur au disque. Vous tenir, ainsi que les personnes présentes, à l'écart du plan du disque en rotation.** La protection permet de protéger l'opérateur contre les éventuels fragments de disque, ainsi que contre tout contact accidentel avec le disque.
- **N'utiliser que des disques liés renforcés ou des disques de découpeuse au diamant pour votre outil.** La possibilité d'utiliser un accessoire sur votre outil électrique, ne signifie pas forcément pas que son fonctionnement est sécuritaire.
- **La vitesse nominale de l'accessoire doit être au moins égale à la vitesse maximale indiquée sur l'outil électrique.** Les accessoires qui tournent plus vite que la vitesse nominale peuvent se briser et être projetés.
- **Les disques doivent être utilisés seulement pour les applications recommandées. Par exemple, ne pas utiliser le côté de la découpeuse pour effectuer un meulage.** Les disques abrasifs de découpeuses sont prévus pour le meulage périphérique; l'application à ces disques d'une force latérale peut les faire voler en éclats.
- **Toujours utiliser des brides de disques en bon état et de diamètre adéquat pour le disque sélectionné.** Les brides de disques adéquats soutiennent le disque, ce qui réduit les risques de bris de disque.
- **Ne pas utiliser de disques usés renforcés provenant d'outils plus puissants.** Les disques destinés aux gros outils ne sont pas adaptés aux régimes élevés des outils plus petits et risquent d'éclater.
- **Le diamètre extérieur et l'épaisseur de l'accessoire doivent correspondre à la capacité nominale maximale de votre outil.** Les accessoires de dimension non adéquate ne peuvent pas être adéquatement protégés ou contrôlés.
- **La taille des tonnelles et des brides de disques doit correspondre de façon adéquate à la broche de l'outil électrique.** Les disques et les brides dont les trous de tonnelle ne correspondent pas au matériel de fixation de l'outil électrique pourraient créer un déséquilibre, vibrer de façon excessive et engendrer une perte de contrôle.
- **Ne pas utiliser les disques s'ils sont endommagés. Avant chaque utilisation, vérifier que les disques sont exempts de copeaux et de fissures. Si l'outil électrique ou le disque tombe, vérifier qu'ils n'aient pas subi de dommage ou installer un disque en parfait état. Après inspection et installation du disque, vous tenir, ainsi que les personnes**

présentes, à l'écart du plan du disque en rotation et faire fonctionner l'outil électrique au régime maximal sans charge pendant une minute. Pendant ce temps de test, si un disque est endommagé, il devrait se briser.

- **Porter un équipement de protection personnelle. Selon le type d'application, utiliser un masque, des lunettes de sécurité ou des lunettes de sécurité. Selon le cas, porter un masque anti-poussière, un casque anti-bruit, des gants et un tablier d'atelier capable de bloquer les petits fragments de la pièce à usiner.** Le dispositif de protection des yeux doit pouvoir bloquer les projections de débris générées par diverses opérations. Le masque anti-poussières ou le dispositif de protection respiratoire doit pouvoir filtrer les particules générées par l'opération. L'exposition prolongée à un bruit d'intensité élevée peut engendrer des pertes auditives.
- **Tenir les personnes présentes à l'écart de la zone de travail. Toute personne entrant dans la zone de travail doit utiliser des équipements de protection personnelle.** Les fragments de la pièce à usiner ou du disque peuvent être projetés dans l'air et engendrer des blessures au-delà de la proximité immédiate de la zone de travail.
- **Lors d'une opération, tenir l'outil électrique uniquement par les endroits isolés prévus pour la prise de l'outil, car l'accessoire de coupe pourrait entrer en contact avec un câble dissimulé.** Si l'accessoire de coupe entre en contact avec un câble sous tension, les parties métalliques non isolées de l'outil électrique pourraient agir comme conducteur et électrocuter l'utilisateur.
- **Placer le cordon à l'écart de l'accessoire rotatif.** Si le contrôle est percé, le cordon peut être coupé ou s'accrocher et votre main ou votre bras peut être tiré dans le disque qui tourne.
- **Ne jamais poser l'outil électrique tant que l'accessoire n'est pas à l'arrêt complet.** le disque qui tourne peut s'agripper à la surface et tirer l'outil électrique hors de votre contrôle.
- **Ne pas faire tourner l'outil électrique pendant son transport à vos côtés.** Le contact accidentel avec l'accessoire qui tourne peut accrocher vos vêtements et tirer l'accessoire vers votre corps.
- **Nettoyer régulièrement les événements de l'outil électrique.** Le moteur du ventilateur aspire la poussière à l'intérieur de son logement, et l'accumulation excessive de poudre de métal peut engendrer des dangers électriques.
- **Ne pas faire fonctionner l'outil électrique à proximité de matériaux inflammables.** Des étincelles pourraient enflammer ces matériaux.

Rebonds et avertissements liés

- **Le rebond est une réaction soudaine d'un disque pincé ou endommagé en cours de rotation.** Un pincement ou un accrochage engendre le calage rapide du disque en rotation qui à son tour engendre la perte de contrôle de l'outil électrique,

- occasionnant une rotation dans le sens opposé de celui du disque à l'endroit de l'accrochage.
- **Par exemple, si un disque abrasif est accroché ou pincé par la pièce, le bord du disque qui pénètre au point de pincement peut s'enfoncer dans la surface du matériau, engendrant une grimpée ou un rebond du disque.** Le disque peut s'éloigner ou se rapprocher de l'opérateur, en fonction du sens du mouvement du disque au point de pincement. Dans ces conditions, les disques abrasifs peuvent également se détacher.
 - **Les rebonds résultent d'une mauvaise utilisation de l'outil électrique, d'une méthode de travail incorrecte ou de mauvaises conditions de coupe. Il est possible de les éviter en prenant les mesures de précaution ci-dessous.**
 - **Tenir fermement l'outil électrique et placer le corps et les bras de manière à résister à force d'un éventuel rebond.** Toujours utiliser la poignée auxiliaire, le cas échéant, pour un contrôle maximal en cas de rebond ou de réaction au couple lors du démarrage. L'opérateur peut contrôler les forces de réaction au couple ou de rebond, si les précautions adéquates sont prises.
 - **Ne jamais placer la main à proximité de l'accessoire en rotation.** L'accessoire peut rebondir et heurter votre main.
 - **Ne pas placer votre corps en ligne avec le disque en rotation.** Un rebond propulsera l'outil électrique dans le sens opposé au mouvement du disque au point d'accrochage.
 - **Prendre des précautions spéciales lors du traitement des coins, des bords tranchants, etc.** Éviter de faire fonctionner l'accessoire par à-coups et de l'accrocher. Les coins, les bords tranchants et l'utilisation par à-coups ont tendance à accrocher l'accessoire en rotation et à engendrer des pertes de contrôle et des rebonds.
 - **Ne pas fixer une chaîne de tronçonneuse, une lame d'expansion, un disque de diamant segmenté avec un écart périphérique supérieur à 10 mm ou une lame de scie crantée.** Ces lames engendrent fréquemment des rebonds et des pertes de contrôle.
 - **Ne pas coincer le disque ou appliquer une pression excessive.** Ne pas tenter d'obtenir une trop grande profondeur de coupe. Le fait d'exercer une contrainte excessive sur les disques augmente la charge, ainsi que les risques de torsion et de blocage du disque dans l'entaille et la possibilité d'un rebond ou d'un bris du disque.
 - **Lorsque le disque est coincé ou lorsqu'on veut interrompre un découpage pour une quelconque raison, désactiver l'outil électrique et maintenir l'outil électrique immobile jusqu'à ce que le disque passe à l'arrêt complet.** Ne pas retirer le disque de l'objet en cours de coupe pendant que le disque est en mouvement, car cela pourrait engendrer un rebond. Vérifier et prendre des mesures correctives pour éliminer la cause du blocage du disque.
 - **Ne pas redémarrer l'opération de coupe à l'intérieur de la pièce de travail.** Attendre que le disque atteigne le plein régime et reprendre la coupe avec précaution. Le disque peut se bloquer, être poussé vers le haut ou rebondir si on redémarre l'outil électrique alors qu'il se trouve dans la pièce.
 - **Soutenir les panneaux et les pièces surdimensionnées pour réduire les risques de pincement et de rebond des disques.** Les pièces de grandes dimensions ont tendance à s'affaisser sous leur propre poids. Les dispositifs de soutien doivent être placés sous la pièce, à proximité de la ligne de coupe et près du bord de la pièce sur les deux côtés du disque.
 - **Redoubler de vigilance lorsqu'on découpe une cavité dans un mur ou un emplacement sans visibilité.** Le disque sortant peut éventuellement couper des canalisations de gaz ou d'eau, des fils électriques ou des objets pouvant provoquer des rebonds.

Consignes générales de sécurité



AVERTISSEMENT : Lire les messages d'avertissement qui suivent avant d'utiliser le produit.

- Une découpeuse est un outil dangereux s'il est utilisé de manière incorrecte ou avec négligence, ce qui peut provoquer des blessures graves, voire mortelles. Il est très important de lire et de comprendre le contenu de ce manuel de l'opérateur. Il est recommandé que les utilisateurs qui se servent du produit pour la première fois obtiennent également des consignes pratiques avant de l'utiliser.
- Ne pas modifier ce produit. Toute modification non approuvée par le fabricant peut entraîner des blessures graves, voire mortelles.
- Ne pas utiliser le produit s'il est possible que d'autres personnes aient apporté des modifications à celui-ci.
- Toujours utiliser des accessoires et des pièces de rechange d'origine. Les accessoires et les pièces de rechange qui ne sont pas approuvés par le fabricant peuvent causer des blessures graves, voire mortelles.
- Toujours garder le produit propre. S'assurer de pouvoir lire clairement les signes et les autocollants.
- Ne jamais laisser des enfants ni des personnes n'ayant pas été formées à l'utilisation du produit l'utiliser ou l'entretenir.
- Ne pas laisser une personne utiliser le produit à moins qu'elle a lu et compris le contenu de ce manuel d'utilisation.
- Seules les personnes autorisées peuvent utiliser le produit.
- La distance de sécurité de la découpeuse est de 15 m/50 pi. S'assurer que les animaux et les personnes à proximité ne se trouvent pas dans la zone de travail.

- Ce produit génère un champ électromagnétique pendant le fonctionnement. Ce champ magnétique peut, dans certains cas, nuire aux implants médicaux actifs ou passifs. Pour réduire le risque de blessures graves ou mortelles, il est recommandé aux personnes ayant des implants médicaux de consulter leur médecin et le fabricant de l'implant médical avant d'utiliser le produit.
- Les renseignements contenus dans ce manuel de l'opérateur ne sont jamais destinés à remplacer les connaissances et expériences professionnelles. En cas d'appréhension, arrêter la machine et obtenir l'avis d'un expert. Communiquer avec votre centre de services. Ne pas tenter d'effectuer des tâches en cas de doute.
- Ne pas placer d'objet dans les fentes de ventilation de la batterie.
- Maintenir la batterie à l'écart de la lumière du soleil, de la chaleur et des flammes nues. La batterie peut provoquer une explosion et causer des brûlures ou des brûlures chimiques.
- Garder la batterie à l'écart de la pluie et de l'humidité.
- Garder la batterie à l'écart des micro-ondes et des pressions élevées.
- Ne pas essayer de démonter ou de briser la batterie.
- Utiliser la batterie seulement lorsque la température ambiante est comprise entre -10 °C (14°F) et 40 °C (104 °F).
- Ne pas nettoyer la batterie ou le chargeur de batterie avec de l'eau. Se reporter à la section *Pour nettoyer la batterie et le chargeur de batterie*, à la page 100.
- Ne pas utiliser des batteries endommagées ou qui ne fonctionnent pas correctement.
- Garder les piles dans le local de rangement, à l'écart des objets métalliques tels que les clous, les vis ou les bijoux.
- Maintenir la batterie à l'écart des enfants.
- Fixer correctement la batterie. Une batterie mal fixée peut provoquer un court-circuit de la batterie.

Sécurité en matière de batteries



AVERTISSEMENT : Lire les messages d'avertissement qui suivent avant d'utiliser l'appareil.



AVERTISSEMENT : Une batterie endommagée peut engendrer une explosion et des blessures. Si la batterie est détériorée ou endommagée, communiquer avec un agent d'entretien Husqvarna agréé.

- Utiliser uniquement les batteries Husqvarna BLI recommandées pour votre produit. Les batteries sont chiffrées au moyen d'un logiciel.
- Utiliser uniquement des batteries d'origine pour ce produit. Il existe un risque d'explosion si une batterie est remplacée par une batterie de type incorrect. Pour obtenir de plus amples renseignements, communiquer avec votre concessionnaire.
- Utiliser les batteries Husqvarna BLI qui sont rechargeables en tant que source d'alimentation pour les produits Husqvarna connexes seulement. Pour éviter les blessures, ne pas utiliser la batterie en tant que source d'alimentation pour d'autres appareils.
- Risque de décharge électrique. Ne pas raccorder les bornes de la batterie à des clés, des vis ou tout autre élément métallique. Cela peut provoquer un court-circuit de la batterie.
- S'il y a une fuite au niveau de la batterie, ne pas laisser le liquide toucher la peau, les vêtements ou le produit. Si on touche le liquide, nettoyer la zone avec une grande quantité d'eau et consulter un médecin.
- Utiliser des lunettes de protection en cas de présence à proximité des batteries. Si le liquide entre en contact avec les yeux, ne pas les frotter. Rincer les yeux avec de l'eau pendant au moins 15 minutes. Consulter un médecin.
- Ne pas utiliser des batteries qui ne sont pas rechargeables.
- Ne pas modifier la batterie.



AVERTISSEMENT : Lire toutes les instructions et consignes de sécurité. Le non-respect de ces instructions et consignes peut provoquer une électrocution, un incendie et des blessures graves.

- Risque de choc électrique et de court-circuit si les consignes de sécurité ne sont pas suivies.
- Ne pas utiliser d'autres chargeurs de batterie que ceux fournis pour votre produit. Utiliser uniquement des chargeurs Husqvarna QC pour charger les batteries de rechange Husqvarna .
- Ne pas essayer de démonter le chargeur de batterie.
- Ne pas utiliser un chargeur de batterie s'il est endommagé ou ne fonctionne pas correctement.
- Ne pas soulever le chargeur de batterie au moyen du cordon d'alimentation. Pour débrancher le chargeur de batteries de la prise murale, tirer la fiche. Ne pas tirer le cordon d'alimentation.
- Tenir les câbles et les rallonges à l'abri de l'eau, de l'huile et des arêtes coupantes. S'assurer que le câble n'est pas coincé entre les portes, les barrières ou quoique ce soit de semblable.
- Ne pas utiliser le chargeur de batterie à proximité de matériaux inflammables ou de matériaux qui peuvent engendrer une corrosion. S'assurer que le chargeur de batterie n'est pas couvert. Débrancher la prise du chargeur de batterie en cas de fumée ou d'incendie.
- Recharger la batterie seulement dans un endroit clos avec une bonne ventilation et à l'écart de la

lumière. Ne pas charger la batterie à l'extérieur. Ne pas charger la batterie dans des conditions humides.

- Ne charger la batterie que lorsque la température ambiante se situe entre 5 °C /41 °F et 40 °C/104 °F. Utiliser le chargeur dans un environnement bien aéré, sec et exempt de poussière.
- Ne pas placer d'objet dans les fentes de ventilation du chargeur de batterie.
- Ne pas raccorder les bornes du chargeur de batterie aux objets métalliques, car cela peut court-circuiter le chargeur de batterie.
- Ne pas charger de batteries non rechargeables dans le chargeur de batterie ou les utiliser dans la machine.
- Utiliser des prises murales approuvées qui ne sont pas endommagées.

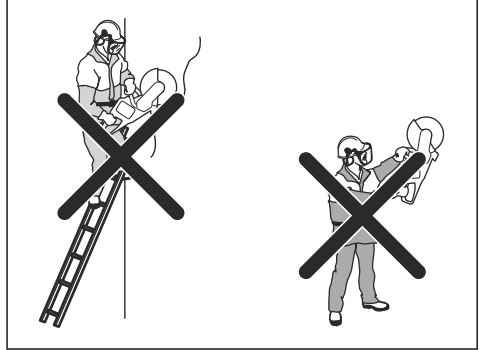
Consignes de sécurité pour l'utilisation



AVERTISSEMENT : Lire toutes les instructions et consignes de sécurité. Le non-respect de ces instructions et consignes peut provoquer une électrocution, un incendie et des blessures graves.

- Ne pas couper de matériau comportant de l'amiante.
- Lors d'une découpe à sec, s'assurer que la poussière est retirée en toute sécurité.
- Les renseignements contenus dans ce manuel ne remplacent pas les connaissances et expériences professionnelles. En cas d'appréhension lors de l'utilisation du produit, l'arrêter immédiatement. Ne pas utiliser le produit dans des situations inconnues.
- Communiquer avec votre centre de services ou Husqvarna en cas de questions relatives au fonctionnement du produit. Nous pouvons vous fournir des renseignements sur la façon d'utiliser le produit efficacement et en toute sécurité.
- Ne pas utiliser le produit, la batterie ou le chargeur de batterie s'ils sont endommagés ou ne fonctionnent pas correctement.
- Ne pas toucher une lame de coupe en rotation. Cela pourrait causer des blessures graves, voire la mort.
- Ne pas utiliser le produit par mauvais temps, par exemple dans un brouillard épais ou sous la pluie, dans des endroits fortement venteux et en cas de froid intense. Le mauvais temps augmente les risques, comme en cas de présence de glace sur le sol.
- Ne pas démarrer le produit sauf si tous les dispositifs de couverture et de protection sont correctement montés.
- Regarder autour de vous. S'assurer qu'il n'y a aucun risque que des personnes ou des animaux touchent le produit ou gênent son contrôle.
- Ne pas laisser les enfants utiliser le produit ou s'en approcher. Le produit ne démarre pas facilement. Cela peut entraîner un risque de blessures graves.

- Retirer la batterie lorsque le produit ne se trouve pas entièrement dans votre champ de vision. Retirez la batterie lorsqu'on n'utilise pas le produit pendant une longue période.
- Être stable sur ses pieds afin d'avoir le contrôle total du produit. Ne pas utiliser le produit en étant sur une échelle. N'utiliser le produit que sur un sol stable.
- Ne pas utiliser le produit au-dessus de la hauteur des épaules.



- Si le produit est utilisé de façon insouciante, le risque de rebond augmente.



- Ne pas tenir le produit d'une seule main. Ce produit ne peut être contrôlé en toute sécurité d'une seule main.
- Ne pas utiliser le produit dans une situation où il n'est pas possible de recevoir de l'aide en cas d'accident.
- S'assurer qu'il est possible de se déplacer autour en toute sécurité. Vérifier l'environnement de travail pour détecter d'éventuels obstacles.
- La surexposition aux vibrations peut engendrer des problèmes circulatoires ou des troubles nerveux, en particulier chez les personnes ayant des troubles circulatoires. En cas de symptômes liés à une surexposition aux vibrations, consulter un médecin. Voici certains de ces symptômes : engourdissement, perte de sensibilité, fourmillement, picotement, douleur, faiblesse musculaire, décoloration ou

modification de l'épiderme. Ces symptômes apparaissent normalement aux doigts, aux mains et aux poignets. Ces symptômes peuvent être accentués par le froid.

- Il n'est pas possible d'inclure toutes les situations auxquelles vous pourriez faire face au cours de l'utilisation de ce produit. Toujours rester prudent et faire preuve de bon sens.
- **Remarque** : Après l'utilisation de l'outil, retirer immédiatement les protecteurs d'oreilles dès la fin du sciage de sorte à entendre les bruits et les signaux d'avertissements.

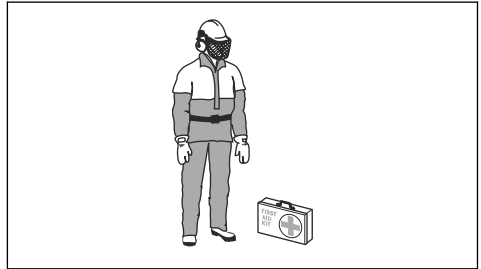
Équipement de protection personnelle



AVERTISSEMENT : Lire les messages d'avertissement qui suivent avant d'utiliser l'appareil.

- Toujours utiliser un équipement de protection personnelle homologué lors de l'utilisation. Cet équipement n'élimine pas les risques de blessures, mais il peut en réduire la gravité en cas d'accident. Demander conseil à votre centre de services pour le choix de l'équipement qui convient.
- Porter un casque de protection approuvé.
- Porter un dispositif de protection homologué pour les oreilles. L'exposition prolongée au bruit peut causer des lésions auditives permanentes. Être attentif aux appels ou cris d'avertissement lors de l'utilisation des protecteurs d'oreilles. Toujours enlever les protecteurs d'oreilles dès que le moteur s'arrête.
- Utiliser un dispositif de protection homologué pour les yeux afin de réduire le risque de blessure due à une projection d'objets. En cas d'utilisation de visière, porter également des lunettes de protection approuvées. Les lunettes de protection homologuées doivent être conformes à la norme ANSI Z87.1 aux États-Unis ou à la norme EN 166 dans les pays de l'Union européenne. Les visières doivent être conformes à la norme EN 1731.
- Porter des gants robustes.
- Utiliser un dispositif de protection respiratoire homologué. Les outils servant à poncer ou former des matériaux (couteaux, meules, perceuses, etc.) peuvent produire de la poussière et des vapeurs contenant des produits chimiques dangereux. Vérifier le type de matériau avec lequel on doit travailler et utiliser un masque filtrant approprié.
- Porter des vêtements ajustés, résistants et confortables permettant une liberté de mouvement totale. La découpe crée des étincelles qui peuvent enflammer les vêtements. Husqvarna recommande de porter du coton ignifugé ou du denim épais. Ne pas porter des vêtements composés de matières comme le nylon, le polyester ou la rayonne. Si elles s'enflamment, de telles matières peuvent fondre et adhérer à la peau. Ne pas porter une culotte courte.

- Utiliser des bottes à embout en acier et semelles antidérapantes.
- Toujours garder une trousse de premiers soins à proximité.



- Le disque découpeur peut produire des étincelles. Toujours avoir un extincteur disponible.

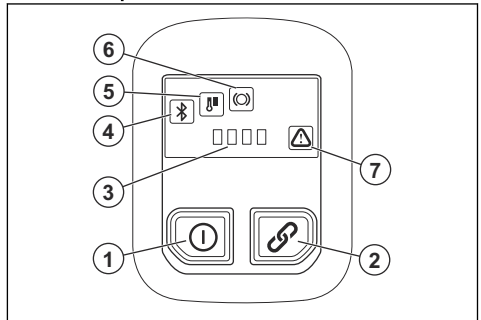
Dispositifs de sécurité sur l'outil



AVERTISSEMENT : Lire les messages d'avertissement qui suivent avant d'utiliser l'appareil.

- Ne pas utiliser le produit si les dispositifs de sécurité sont endommagés ou s'ils ne fonctionnent pas correctement.
- Vérifier régulièrement les dispositifs de sécurité. Si les dispositifs de sécurité sont endommagés ou ne fonctionnent pas correctement, communiquez avec votre atelier spécialisé agréé Husqvarna.
- Ne pas altérer les dispositifs de sécurité.
- Ne pas utiliser le produit si les plaques et les couvercles de protection, les interrupteurs de sécurité ou d'autres dispositifs de protection sont endommagés ou ne sont pas fixés.

Fonctions du panneau de commande

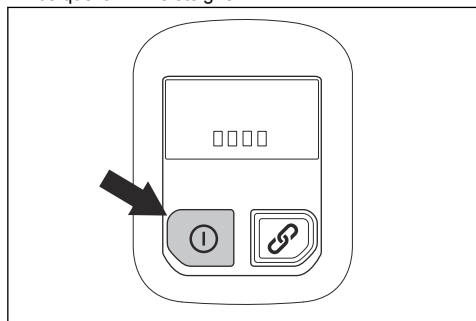


1. Bouton de marche/arrêt.
2. Bouton de marche/arrêt pour accessoires (non utilisé).
3. Indicateur d'état de la batterie.
4. Bluetooth®. Se reporter à la section *Bluetooth® technologie sans fil à la page 93.*

- Indicateur de température élevée ou basse. Se reporter à la section *Indicateurs LED du panneau de commande à la page 103*.
- Avertissement X-Halt. Se reporter à la section *Dépannage à la page 102*
- Indicateur d'erreur ou d'avertissement. Se reporter à la section *Dépannage à la page 102*.

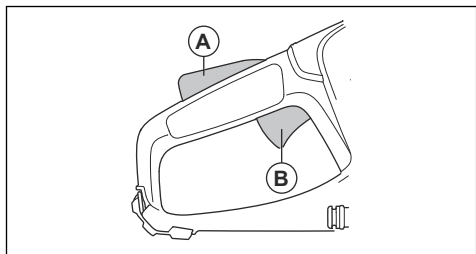
Pour vérifier le panneau de commande.

- Appuyer sur le bouton de marche/arrêt et le maintenir enfoncé jusqu'à ce que la DEL s'allume. Se reporter à la section *Mise sous tension de l'appareil à la page 97*.
- Maintenir le bouton de marche/arrêt enfoncé jusqu'à ce que la DEL s'éteigne.



Mécanisme de verrouillage de la gâchette

Le mécanisme de verrouillage de la gâchette empêche tout fonctionnement accidentel de la gâchette. Lorsque la main est placée autour de la poignée et le mécanisme de verrouillage de la gâchette (A) est enfoncé, la gâchette (B) se déverrouille. Quand la poignée est relâchée, la gâchette et son mécanisme de verrouillage retournent à leur position initiale.



Fonction d'arrêt automatique

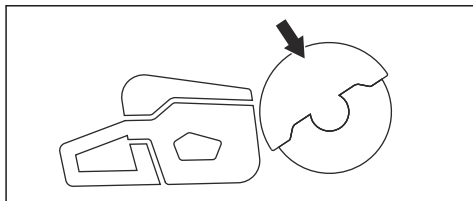
Le produit est doté d'une fonction d'arrêt automatique qui arrête le produit s'il n'est pas utilisé pendant trois minutes.

Protège-lame



AVERTISSEMENT : S'assurer que le protège-lame est bien fixé et serré avant de démarrer le produit. Ne pas utiliser le produit si le protège-lame est manquant, est fissuré ou présente d'autres dommages.

Le protège-lame est installé au-dessus du disque découpeur. Il empêche les blessures si des parties de la lame ou des pièces du matériau découpé sont projetées vers l'opérateur.



Pour examiner la lame et le protège-lame



AVERTISSEMENT : Un disque découpeur endommagé peut causer des blessures.

- Vérifier que le disque découpeur est correctement montée et ne présente aucun signe de dommage.
- S'assurer que le protège-lame ne présente aucune fissure et aucun dommage.
- Remplacer le protège-lame s'il est endommagé.

Sécurité en matière de vibrations



AVERTISSEMENT : Lire les messages d'avertissement qui suivent avant d'utiliser l'appareil.

- Pendant le fonctionnement du produit, des vibrations sont transmises du produit à l'utilisateur. L'utilisation régulière et fréquente du produit peut provoquer ou augmenter les risques de blessures pour l'utilisateur. Des blessures peuvent se produire au niveau des doigts, des mains, des poignets, des bras, des épaules ou des nerfs, ou d'autres parties du corps ou affecter l'apport sanguin. Les blessures peuvent être invalidantes ou permanentes et peuvent augmenter progressivement au fil des semaines, des mois ou des années. Les blessures possibles incluent des dommages au système de circulation sanguine, au système nerveux, aux articulations et à d'autres structures corporelles.
- Des symptômes peuvent apparaître pendant l'utilisation du produit ou à d'autres moments. Si l'utilisateur présente des symptômes et continue à utiliser le produit, les symptômes peuvent augmenter ou devenir permanents. Si ces symptômes ou

d'autres symptômes apparaissent, consulter un médecin :

- Engourdissement, perte de sensation, fourmillement, picotement, douleur, brûlure, boursouffure, raideur, sensation de lourdeur, perte de force, changements de couleur ou d'état de la peau.
- Les symptômes peuvent augmenter par temps froid. Porter des vêtements chauds et garder les mains au chaud et au sec lors de l'utilisation de l'outil dans des environnements froids.
- Procéder à l'entretien et à l'utilisation du produit comme indiqué dans le manuel d'utilisation pour maintenir les vibrations à un niveau acceptable.
- Laisser le produit faire le travail. Ne pas pousser le produit avec force. Tenir légèrement le produit par ses poignées, mais s'assurer de le contrôler et de l'utiliser en toute sécurité.
- Garder les mains uniquement sur les poignées. Garder toutes les autres parties du corps à l'écart du produit.
- Arrêter immédiatement le produit en cas de fortes vibrations soudaines. Ne pas poursuivre le sciage avant d'avoir éliminé la cause des vibrations accrues.
- La découpe du granit ou du béton dur provoque plus de vibrations dans le produit que la découpe du béton tendre. Un équipement de coupe émoussé, endommagé, de type incorrect ou mal affûté augmente le niveau de vibrations

Consignes de sécurité pour la maintenance



AVERTISSEMENT : Lire les messages d'avertissement qui suivent avant de procéder à l'entretien du produit.

- Retirer la batterie avant d'effectuer l'entretien, de procéder à d'autres contrôles ou d'assembler le produit.
- L'opérateur ne doit effectuer que les travaux de réparation et d'entretien décrits dans ce manuel d'utilisation. Se rendre dans le centre de service agréé pour les travaux de réparation ou d'entretien plus importants.

- Ne pas nettoyer la batterie ou le chargeur de batterie avec de l'eau. Les détergents puissants peuvent endommager la plastique.
- En absence d'entretien, cela réduit la durée de vie du produit et augmente le risque d'accidents.
- Une formation spécifique est nécessaire pour tous les travaux d'entretien et de réparation, en particulier pour les dispositifs de sécurité sur le produit. Si toutes les vérifications indiquées dans ce manuel d'utilisation ne sont pas homologuées une fois l'entretien effectué, se rendre dans le centre de service. La disponibilité des réparations et des entretiens effectués de façon professionnelle est garantie pour votre produit.
- Utiliser des pièces de rechange d'origine.

Bluetooth®



MISE EN GARDE : Les modifications ou les changements apportés à cet équipement non expressément approuvés par Husqvarna peuvent annuler l'autorisation de la FCC d'utiliser cet équipement.

Avis : Cet appareil est conforme à l'article 15 de la réglementation FCC et à la norme RSS d'Industrie Canada pour les appareils exempts de licence. Son utilisation est soumise aux deux conditions suivantes :

- Cet appareil ne doit pas causer d'interférences nuisibles.
- Cet appareil doit accepter toute autre interférence, y compris les interférences pouvant causer un fonctionnement non désiré.

Le présent appareil est conforme aux CNR d'Industrie Canada applicables aux appareils radio exempts de licence. L'exploitation est autorisée aux deux conditions suivantes :

- l'appareil ne doit pas produire de brouillage, et
- l'appareil doit accepter tout brouillage radioélectrique subi, même si le brouillage est susceptible d'en compromettre le fonctionnement.

Montage

Lames de coupe



AVERTISSEMENT : Toujours utiliser des gants de protection lors de l'assemblage du produit.



AVERTISSEMENT : Un disque découpeur peut se briser et blesser gravement l'opérateur.



AVERTISSEMENT : Avant toute utilisation, vérifier que le disque découpeur n'est pas fissuré, déformé ou déséquilibré et qu'il n'y manque aucun segment, et

ce, immédiatement après avoir heurté un objet. Ne pas utiliser un disque de coupe endommagé. Après inspection et installation du disque découpeur, se tenir, ainsi que les personnes présentes, à l'écart du plan de rotation du disque et faire fonctionner l'outil électrique au régime maximal sans charge pendant une minute.



AVERTISSEMENT : Le fabricant des disques de coupe publie des avertissements et des recommandations pour l'utilisation et l'entretien adéquat de ceux-ci. Ces avertissements sont fournis avec le disque de coupe. Lire et respecter les instructions fournies avec le disque découpeur.

Diamètre du disque découpeur.



MISE EN GARDE : Si on utilise le produit avec trop de force, le disque peut devenir trop chaud, se tordre et engendrer des vibrations. Utiliser le produit avec moins de force. Si les vibrations persistent, remplacer le disque découpeur.

Disques découpeurs adéquats



MISE EN GARDE : Utiliser des lames de coupe Husqvarna recommandées pour K 540i et le matériau à découper. Les disques de coupe recommandés réduisent le risque de blessures très graves et augmentent les performances de coupe et d'arrêt en X. Lors de l'utilisation de disques découpeurs à grande vitesse généraux, les performances et la qualité de coupe diminuent.



AVERTISSEMENT : Pour le béton, utiliser seulement des lames diamant et des lames abrasives. Ne pas utiliser des lames avec ébréchures, telles les lames circulaires de découpe de bois avec embout en carbure. Le risque de rebond est accru et les embouts en carbure peuvent se détacher et être projetés à grande vitesse. Cela peut engendrer des blessures graves, voire la mort.



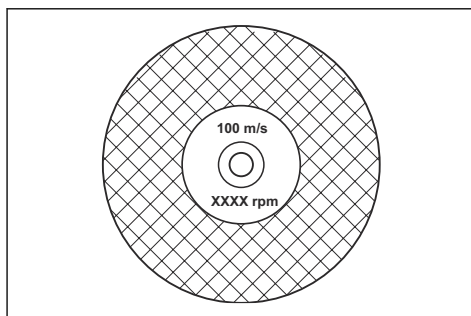
AVERTISSEMENT : Ne jamais utiliser un disque découpeur avec un matériau autre que celui auquel il est destiné.



AVERTISSEMENT : Utiliser uniquement des disques découpeurs conformes aux normes nationales ou régionales, par exemple, EN12413, ANSI B7.1. ou EN13236.



AVERTISSEMENT : Ne pas utiliser de disque découpeur dont la vitesse nominale est inférieure à celle du produit. La vitesse nominale du disque de coupe est indiquée sur ce dernier, et celle du produit est indiquée sur la plaque signalétique.

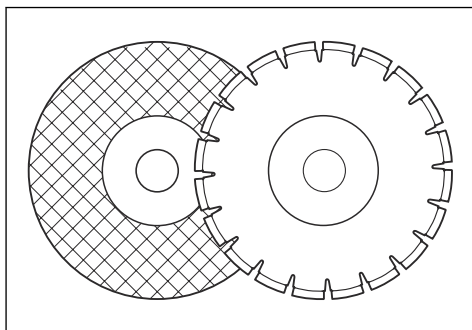


Remarque : De nombreux disques découpeurs pouvant être fixés à ce produit sont conçus pour des scies fixes. La vitesse nominale de ces disques découpeurs est trop faible pour ce produit.



AVERTISSEMENT : Ne pas utiliser de disques abrasifs qui sont plus épais que la limite maximale recommandée. Se reporter à *Données techniques à la page 105*.

- Les disques découpeurs qui conviennent au produit sont offerts en deux modèles de base, soit les disques abrasifs et les lames diamant.



- S'assurer que le trou central du disque découpeur a la dimension correcte pour la bague d'arbre installée.

- Suspender le disque découpeur sur le doigt et taper légèrement sur le disque à l'aide d'un tournevis. Si aucun son clair n'est produit, le disque découpeur est endommagé.

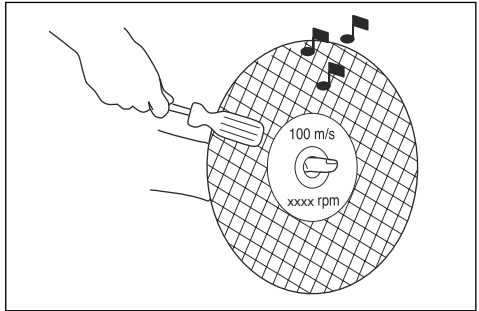
Lames en abrasif



AVERTISSEMENT : Ne pas utiliser les lames abrasives avec de l'eau. L'eau et l'humidité réduisent la résistance de la lame abrasive et augmentent le risque de bris de la lame.



MISE EN GARDE : Ne jamais couper avec une lame abrasive lorsque l'accessoire d'aspiration est en place. L'utilisation d'une lame abrasive entraînera une usure excessive de l'accessoire d'aspiration.



AVERTISSEMENT : Utiliser la lame abrasive appropriée sur le bon matériau.



AVERTISSEMENT : Les lames diamant deviennent très chaudes lorsqu'elles sont utilisées. Une lame diamant trop chaude entraîne de mauvaises performances, des dommages à la lame et un risque pour la sécurité.

- Ne pas utiliser de disques provenant d'outils plus puissants. Les disques provenant de gros outils ne sont pas adaptés aux régimes élevés des outils plus petits et risquent d'éclater.
- Le matériau de coupe sur les lames abrasives est lié à un matériau naturel doté d'un agent lié de gravier. Les lames qui sont faites de tissu ou de fibre sont plus résistantes. Ce type de lame ne se brise pas si la lame se fissure ou est endommagée pendant le fonctionnement.
- La performance d'une lame de coupe dépend de la dimension du grain abrasif, ainsi que du type et de la dureté de l'agent liant.

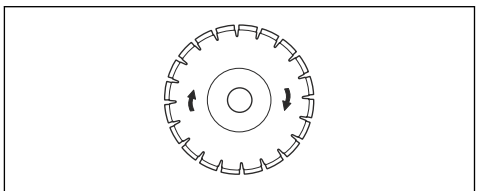
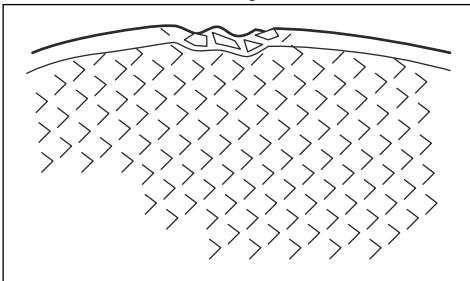


AVERTISSEMENT : Ne pas utiliser une lame diamant pour couper du plastique. La lame diamant chaude peut faire fondre le plastique, ce qui peut provoquer un rebond.

Pour examiner un disque découpeur abrasif collé

- S'assurer que le disque découpeur ne présente aucune fissure ou dommage.

- Les lames diamant présentent un noyau en acier avec des segments faits de diamants industriels.
- Les lames diamant sont recommandées pour la maçonnerie, le béton armé et la pierre.
- S'assurer que le disque diamanté tourne dans le sens des flèches indiquées sur le disque.



- Toujours utiliser un disque diamanté affûté.
- Les disques diamantés peuvent s'émousser à la longue en cas d'utilisation d'une pression d'alimentation incorrecte ou lors de la coupe de matériaux tels que le béton armé dur. Un disque diamanté émoussé deviendra trop chaud et les segments diamantés pourraient se détacher.

Affûtage de la lame de coupe

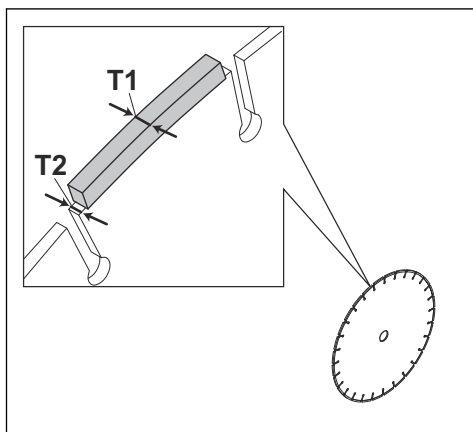
Remarque : Pour obtenir les meilleurs résultats de coupe, utiliser une lame de coupe affûtée.

- Pour affûter la lame de coupe, couper un matériau tendre tel que du grès ou de la brique.

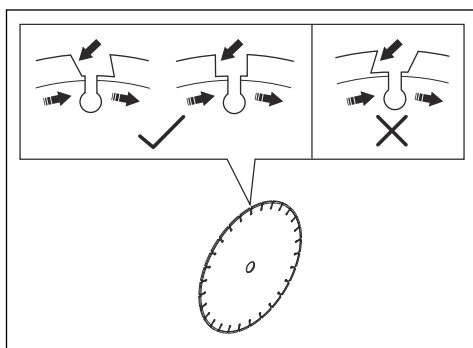
Lame diamant – Exigences



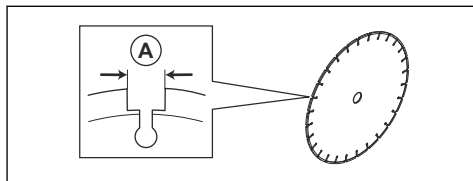
AVERTISSEMENT : S'assurer que le segment en diamant (T1) est plus large que la lame (T2). Cela permet d'éviter les pincements dans la fente de coupe, ainsi que les rebonds.



AVERTISSEMENT : Ne pas utiliser de lame diamant à angle de coupe positif.



AVERTISSEMENT : Ne pas utiliser de lame diamant avec un écart entre les segments supérieur à 10 mm (A).



AVERTISSEMENT : Ne pas utiliser de lame diamant dont l'épaisseur dépasse la limite maximale recommandée. Se reporter à .



AVERTISSEMENT : Dans certaines situations de coupe ou si l'on utilise des lames usées, une usure excessive peut se produire sur le côté des segments. Remplacer la lame avant qu'elle soit usée.

Lames diamant pour la découpe à l'eau



AVERTISSEMENT : Toujours utiliser un flasque de disque de dimension prescrite pour le disque utilisé. Ne pas utiliser de flasques de disque endommagés.

Pendant le sciage, la friction fait en sorte que le disque diamanté devient très chaud. Si le disque diamanté devient trop chaud, sa tension diminue ou son noyau se fissurera.

Laisser le disque diamanté refroidir avant de le toucher.

- Les disques diamantés pour la coupe humide doivent être utilisés avec de l'eau pour maintenir le noyau et les segments du disque à température pendant la coupe. Les disques diamantés pour la coupe humide ne peuvent pas être utilisés à sec.
- En cas d'utilisation de disques diamantés pour coupe humide sans eau, le disque diamanté peut devenir trop chaud. Cela donne un mauvais rendement, endommage la lame et constitue un risque pour la sécurité.

Lames diamant pour découpe à sec

- Pour les lames diamant pour la découpe à sec, il est nécessaire de disposer d'un débit d'air suffisant autour du disque découpeur pour diminuer la température. C'est pourquoi les lames diamant pour découpe à sec sont recommandées uniquement pour un fonctionnement intermittent. Après quelques secondes de fonctionnement, il est nécessaire de laisser la lame diamant tourner librement, à l'écart de la coupe. Cela permet au débit d'air autour de la lame de réduire la température de la lame diamant.

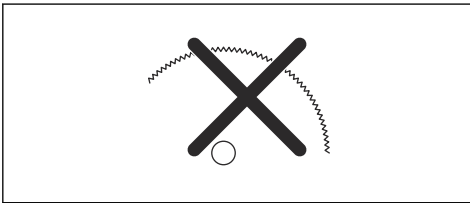
Lames dentées



AVERTISSEMENT : Ne jamais utiliser de lames dentées, comme des lames de coupe de bois, des lames à dents circulaires, des lames à pointe au carbure, etc. Le risque de rebond augmente considérablement et les extrémités de lame peuvent se déchirer et être éjectées à haute vitesse. Toute négligence peut entraîner de graves blessures, ou même la mort.



AVERTISSEMENT : La réglementation gouvernementale exige un type différent de protection pour les lames à pointe au carbure, soit un protecteur sur 360 degrés qui n'est pas offert sur les découpeuses. Les découpeuses (cette scie) s'utilisent avec des lames diamant et sont équipées d'un système de protection différent, qui ne protège pas contre les dangers présentés par les lames de coupe de bois.



L'utilisation de cette découpeuse avec une lame à pointe au carbure constitue une violation des règles de sécurité du travail.

Compte tenu de la nature dangereuse et du caractère urgent des opérations de lutte contre l'incendie et de secours menées par les professionnels de la sécurité (pompiers) hautement qualifiés de divers organismes de sécurité publique, Husqvarna reconnaît que ces personnes peuvent utiliser cette découpeuse avec des lames à pointe au carbure dans certaines situations d'urgence parce que ces lames permettent de couper dans beaucoup de différentes combinaisons d'obstacles et de matériaux sans avoir à prendre le temps de changer de lame ou de machine. Lorsqu'on utilise cette découpeuse, on ne doit jamais oublier que les lames à pointe au carbure sont plus sujettes aux rebonds que les lames diamant si elles ne sont pas utilisées correctement. Les lames à pointe au carbure peuvent également projeter des morceaux de matériau.

Pour ces raisons, une découpeuse équipée d'une lame à pointe au carbure ne doit jamais être utilisée, sauf par des professionnels de la sécurité publique hautement qualifiés et conscients des risques liés à cette utilisation, et ce uniquement dans des situations d'urgence lorsque les autres outils sont jugés inefficaces pour les opérations de secours ou de lutte contre

l'incendie. Une découpeuse équipée d'une lame à pointe au carbure ne doit jamais être utilisée pour couper du bois autrement que lors d'opérations de secours.

Examen de l'arbre à broches et des rondelles d'accouplement



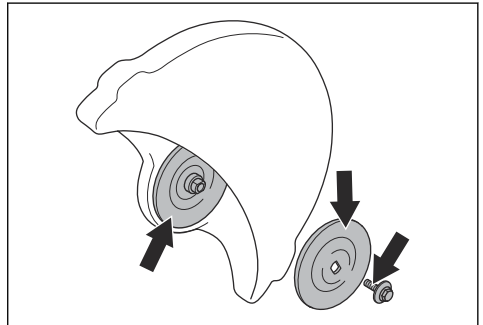
AVERTISSEMENT : N'utiliser que les rondelles d'accouplement Husqvarna avec un diamètre minimal de 67 mm/2,6 po.



AVERTISSEMENT : Ne pas utiliser des rondelles d'accouplement endommagées, usées ou sales. N'utiliser que les rondelles d'accouplement de même dimension. Des rondelles d'accouplement inappropriées peuvent provoquer l'endommagement ou le desserrage du disque découpeur.

Examiner l'arbre à broches et les rondelles d'accouplement lors du remplacement du disque découpeur.

1. Vérifier que les filets de l'arbre à broches ne sont pas endommagés. Remplacer les pièces endommagées.



2. S'assurer que les zones de contact sur le disque découpeur et les rondelles d'accouplement ne sont pas endommagées. Remplacer les pièces endommagées.
3. S'assurer que les rondelles d'accouplement sont propres et de bonne dimension.
4. S'assurer que les rondelles d'accouplement se déplacent librement sur l'arbre à broches.

Installation du disque découpeur

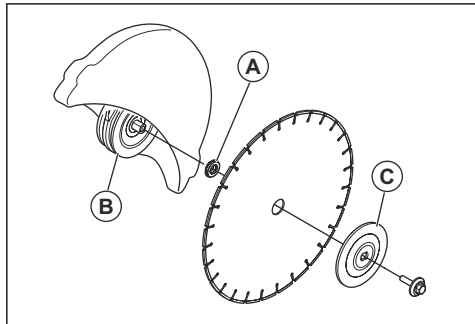


AVERTISSEMENT : S'assurer que le moteur est éteint et que la batterie est débranchée.

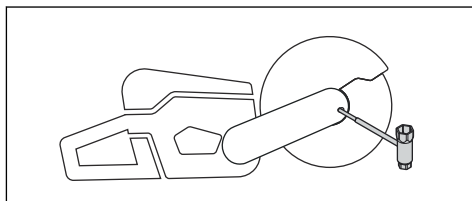


AVERTISSEMENT : Toujours utiliser des gants de protection lors de l'assemblage du produit.

1. Examiner les rondelles d'accouplement et l'arbre à broches. Se reporter à *Examen de l'arbre à broches et des rondelles d'accouplement à la page 88*.
2. Placer le disque découpeur sur la bague d'arbre (A) entre la rondelle d'accouplement intérieure (B) et la rondelle d'accouplement (C). Tourner la rondelle d'accouplement jusqu'à ce qu'elle tienne sur l'arbre.



3. Placer un outil dans le trou du carter de la courroie et tourner le disque découpeur jusqu'à ce que l'arbre soit verrouillé.



4. Serrer le boulon du disque découpeur à 30 Nm / 18,5 lb-pi.

Fonctionnement

Introduction



AVERTISSEMENT : Lire et comprendre le chapitre sur la sécurité avant d'utiliser le produit.

Rebond

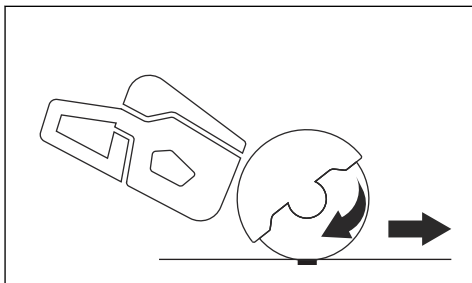


AVERTISSEMENT : Les rebonds sont soudains et peuvent être très violents. La découpeuse peut être éjectée vers le haut et retomber en direction de l'utilisateur dans un mouvement de rotation qui peut causer de graves blessures, ou même la mort. Il est indispensable de comprendre ce qui cause le rebond et de savoir comment l'éviter avant d'utiliser le produit.

Le rebond est un mouvement soudain vers le haut qui peut survenir si la lame se pince ou se coince dans la zone de rebond. La plupart des rebonds sont légers et présentent peu de danger. Toutefois un rebond peut également être très violent et éjecter la découpeuse vers le haut, puis la faire retomber en direction de l'utilisateur dans un mouvement de rotation qui peut causer de graves blessures, ou même la mort.

Force de réaction

Une force de réaction s'exerce toujours lors de la coupe. Cette force tire le produit dans le sens opposé à la rotation de la lame. La plupart du temps, cette force est négligeable. Si la lame se pince ou se coince, la force de réaction sera grande et l'opérateur pourrait perdre la maîtrise de la découpeuse.

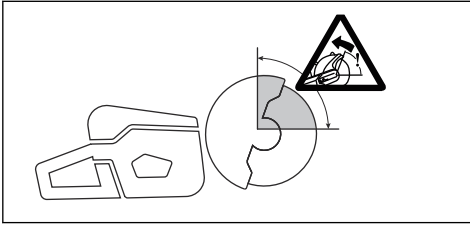


Ne jamais déplacer le produit pendant que l'équipement de coupe tourne. Les forces gyroscopiques peuvent entraver le mouvement prévu

Zone de rebond

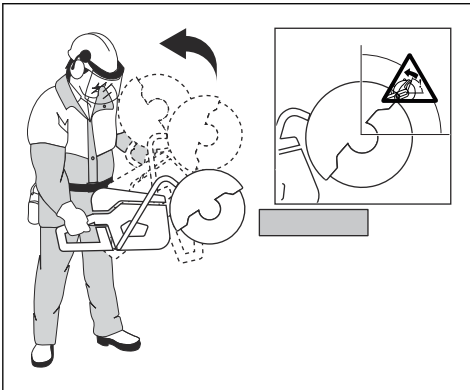
Ne jamais utiliser la zone de rebond de la lame pour couper. Si la lame se pince ou se coince dans la zone de rebond, la force de réaction poussera la découpeuse vers le haut, puis la fera retomber en direction de

l'utilisateur dans un mouvement de rotation qui peut causer de graves blessures, ou même la mort.



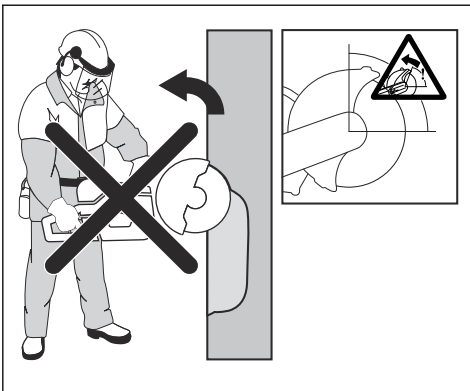
Effet de rebond rotatif

Un rebond rotatif se produit lorsque le disque découpeur ne se déplace pas librement dans la zone de rebond.



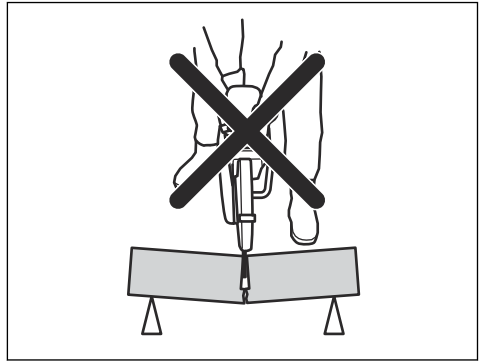
Rebond de grimpée

Si l'on utilise la zone de rebond pour couper, la force de réaction fait grimper la lame dans le sillon de coupe. Ne pas utiliser la zone de rebond. Utiliser le quart inférieur de la lame pour éviter le rebond de grimpée.



Rebond de pincement

Un pincement se produit quand le sillon de coupe se referme et pince la lame. Si la lame se pince ou se coince, la force de réaction sera grande et l'opérateur pourrait perdre la maîtrise de la découpeuse.



Si la lame se pince ou se coince dans la zone de rebond, la force de réaction poussera la découpeuse vers le haut, puis la fera retomber en direction de l'utilisateur dans un mouvement de rotation qui peut causer de graves blessures, ou même la mort. Faites attention aux éventuels mouvements de la pièce à travailler. Si la pièce à travailler n'est pas correctement soutenue et bouge lors de la coupe, elle risque de pincer la lame et d'entraîner un rebond.

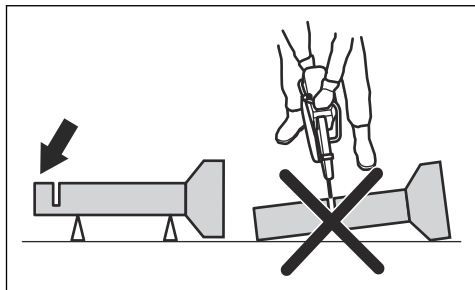
Coupe de tuyaux

Faire particulièrement attention lorsqu'on coupe des tuyaux. Si le tuyau n'est pas correctement soutenu et si le sillon de coupe n'est pas gardé ouvert pendant toute la durée de la coupe, la lame peut se pincer. Faire particulièrement attention lorsqu'on coupe un tuyau en tulipe ou un tuyau dans une tranchée qui, s'il n'est pas correctement soutenu, risque de pendre et de provoquer le pincement de la lame.

Si le tuyau pend et ferme le sillon de coupe, la lame peut être pincée dans la zone de rebond, ce qui peut provoquer un rebond important. Si le tuyau est correctement soutenu, son extrémité se déplace vers

le bas, le sillon de coupe s'ouvre et permet d'éviter le pincement de la lame.

Immobiliser le tuyau pour qu'il ne puisse pas bouger ou rouler pendant la coupe. S'assurer que le sillon de coupe s'ouvre afin d'éviter le pincement de la lame.



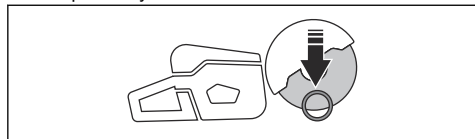
Coupe de tuyaux plus étroits



AVERTISSEMENT : Le pincement de la lame dans la zone de rebond cause un rebond important.

Si le tuyau est plus étroit que la profondeur de coupe maximale du produit, la coupe peut être effectuée en une étape de haut en bas.

- Couper le tuyau de haut en bas.



Coupe de tuyaux plus larges

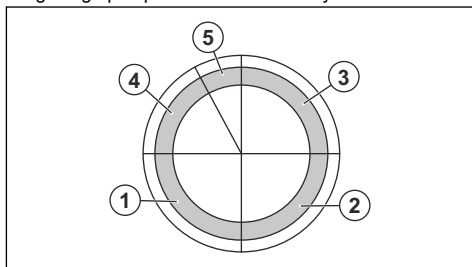


AVERTISSEMENT : Le pincement de la lame dans la zone de rebond cause un rebond important.

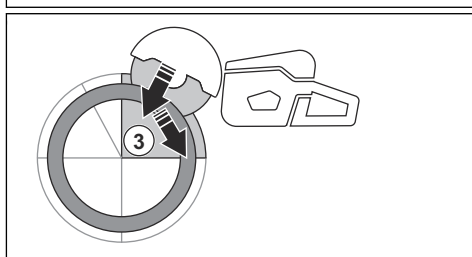
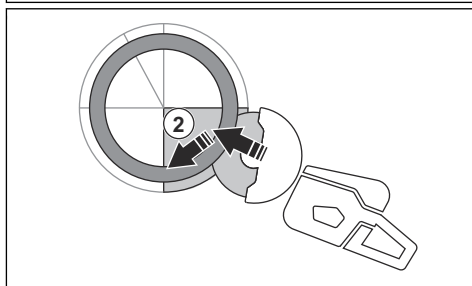
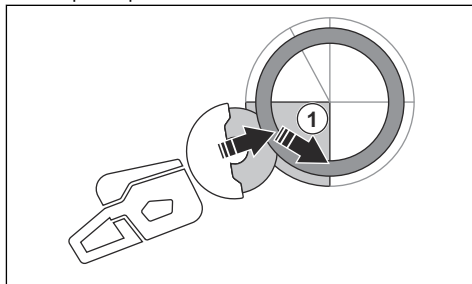
Si le tuyau est plus large que la profondeur de coupe maximale du produit et ne peut pas être tourné, la coupe doit être effectuée en 5 étapes.

- Régler le protège-lame en mode de coupe de tuyaux. Se reporter à *Réglage en mode de coupe de tuyaux à la page 95*.

- Diviser le tuyau en 5 sections. Marquer ces sections et tracer une ligne de coupe. Creuser une rainure de guidage peu profonde autour du tuyau.

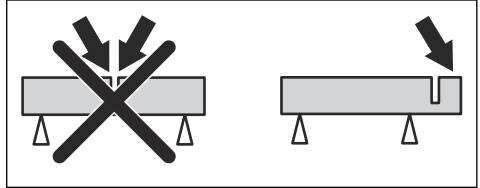


- Couper ces sections en 5 étapes en suivant les directives de coupe indiquées par les flèches à chaque étape.



travail peuvent éliminer les rebonds et ses dangers.

- Toujours soutenir la pièce à travailler de manière à ce que le sillon de coupe demeure ouvert pendant la coupe. Lorsque le sillon de coupe est ouvert, il n'y a aucun rebond. Si le sillon de coupe se ferme et pince la lame, il y a un risque de rebond.



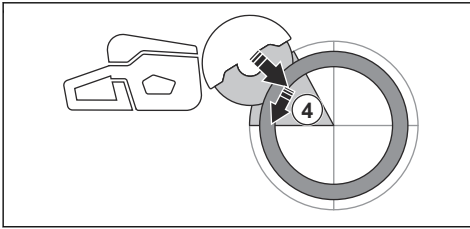
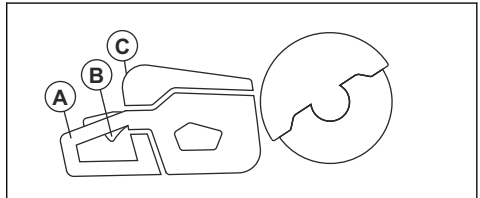
X-Halt

La fonction X-Halt est un système de freinage électronique qui s'active en cas de rebond. La fonction ne peut pas empêcher complètement les blessures causées par un rebond, mais elle en réduit le risque. Une technique de travail sûre est nécessaire pour prévenir les rebonds et réduire les risques de blessures.

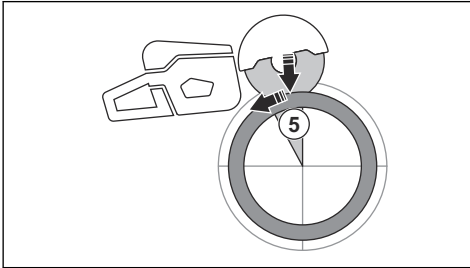
La fonction X-Halt est toujours activée lorsque le produit est sous tension. Si la fonction est activée, le panneau de commande affiche le symbole d'avertissement X-Halt jusqu'à ce que le produit refroidisse. Se reporter à la section *Dépannage à la page 102*. Pour obtenir de plus amples renseignements, se reporter à la section *Dépannage à la page 102*.

Avant d'utiliser le produit

1. Lire attentivement le manuel d'utilisation et veiller à bien comprendre les directives.
2. Effectuer l'entretien quotidien. Se reporter à la section *Calendrier d'entretien à la page 98*.
3. S'assurer que seules les personnes autorisées se trouvent dans la zone de travail.
4. S'assurer d'être dans une position stable et sécuritaire au cours du travail.
5. S'assurer que le raccord d'eau est branché à une alimentation en eau. Se reporter à la section *Raccordement de l'eau de refroidissement à la page 97*.
6. Vérifier la poignée arrière (A) pour s'assurer qu'elle n'est pas endommagée.



- Effectuer la dernière coupe de séparation à partir du haut du tuyau en déplaçant l'outil vers l'arrière et sans que le quadrant supérieur de la lame soit en contact avec le tuyau. Réglez le protège-lame en position complètement vers l'avant pour une protection maximale.



AVERTISSEMENT : Si le tuyau est bien soutenu, la lame ne devrait pas être pincée lorsque la section 5 sera séparée. Toutefois, faites attention à ce que la lame ne soit pas pincée lors de la séparation finale. Si la lame est pincée dans la section inférieure, le produit peut être propulsé vers l'avant, au lieu de subir un simple rebond rotatif.

Afin d'éviter un rebond



AVERTISSEMENT : Éviter des situations où il y a un risque de rebond. Faire attention lors de l'utilisation de la découpeuse et s'assurer que la lame ne soit jamais pincée dans la zone de rebond.



AVERTISSEMENT : Faire attention lorsqu'on place la lame dans un sillon existant.



AVERTISSEMENT : S'assurer que la pièce de travail ne peut pas se déplacer pendant l'opération de coupe.

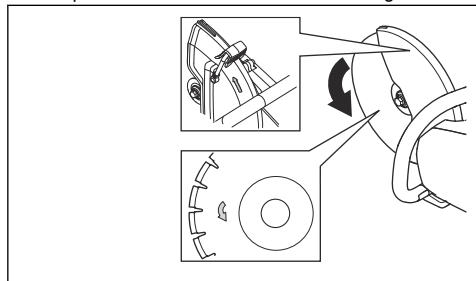


AVERTISSEMENT : Seuls l'utilisateur et une bonne technique de

- Vérifier le mécanisme de verrouillage de la gâchette (B) pour s'assurer qu'il fonctionne correctement et qu'il n'est pas endommagé.
- Vérifier le panneau de commande (C) pour s'assurer qu'il fonctionne correctement.
- S'assurer que toutes les pièces et les protections sont correctement fixées et ne sont pas endommagées ou manquantes.
- Charger la batterie et s'assurer qu'il est correctement fixé au produit. Utiliser uniquement des batteries approuvées par Husqvarna BLi avec ce produit.
- S'assurer que la découpeuse électrique s'arrête en cas de relâchement de la gâchette.

Pour examiner le sens de rotation du disque découpeur

- Repérer les flèches sur le protège-lame arrière qui indiquent le sens de rotation de l'arbre à tige.



- La flèche sur le protège-lame indique le sens de rotation du disque découpeur.
- S'assurer que les flèches de direction de la lame de coupe et de l'arbre à broche indiquent le même sens de rotation.

Vérification de la bague d'arbre

Les bagues d'arbre servent à fixer le produit au trou central du disque découpeur. Le produit est fourni avec des bagues d'arbre adaptées aux trous centraux de 25,4 mm / 1 po.

- S'assurer que la dimension du trou central du disque découpeur correspond à la bague d'arbre installée. Le diamètre du trou central est imprimé sur le disque découpeur.
- N'utiliser que des bagues d'arbre Husqvarna.

Bluetooth® technologie sans fil

Les produits Bluetooth® dotés de la technologie sans fil intégrée peuvent se connecter à des appareils mobiles et permettre des fonctions supplémentaires depuis la connexion Husqvarna.

Le symbole de la technologie sans fil *Bluetooth*® s'allume lorsque votre appareil mobile est connecté au produit.



Pour utiliser la connectivité intégrée avec Husqvarna Fleet Services™

Remarque : Cette partie concerne uniquement les produits fournis avec une connectivité intégrée.

Remarque : La transmission radio par la fonction Bluetooth® est activée lors de la première connexion à une batterie et reste activée par la suite.

- Téléchargez Husqvarna Fleet Services™ Application Husqvarna Fleet Services iOS ou Android.
- Rendez-vous au site Web de Husqvarna Fleet Services™ <https://fleetservices.husqvarna.com> pour en savoir plus.

Pour brancher le chargeur de batterie

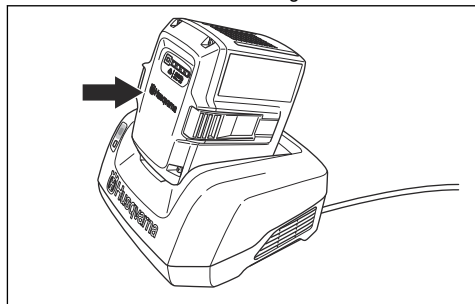
- Brancher le chargeur de batterie à la tension et la fréquence indiquées sur la plaque signalétique.
- Placer la fiche dans une prise mise à la terre. La DEL du chargeur de batterie clignote en vert une fois.

Remarque : La batterie ne se charge pas si sa température est supérieure à 50 °C (122 °F). Si la température est supérieure à 50 °C (122 °F), le chargeur de batterie refroidit la batterie.

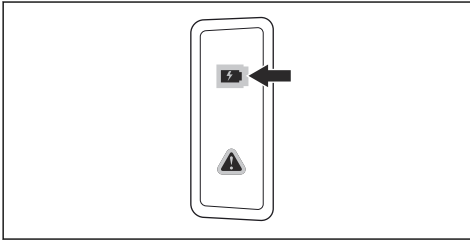
Pour connecter la batterie au chargeur de batterie.

Remarque : Charger la batterie avant de l'utiliser pour la première fois. Les batteries neuves sont chargées à 30 % seulement.

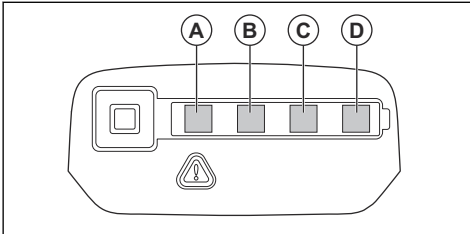
- S'assurer que la batterie est sèche.
- Insérer la batterie dans le chargeur de batterie.



3. Vérifier que le témoin vert de mise en charge sur le chargeur s'allume. Cela signifie que la batterie est correctement branchée dans le chargeur.



4. Quand tous les témoins de la batterie sont allumés, la batterie est chargée à bloc.



5. Pour débrancher le chargeur de la prise murale, tirer la fiche. Ne pas tirer le cordon d'alimentation.
6. Retirer la batterie du chargeur.

Remarque : Pour plus de renseignements, se reporter aux manuels de la batterie et du chargeur.

Techniques de travail de base



AVERTISSEMENT : Ne pas déplacer la découpeuse vers un côté. Cela peut empêcher la libre circulation de la lame et engendrer la rupture de la lame, ce qui peut engendrer des blessures.



AVERTISSEMENT : Ne pas utiliser le côté de la lame. La lame peut s'endommager et se briser, ce qui peut engendrer des blessures. Utiliser seulement le bord d'attaque.

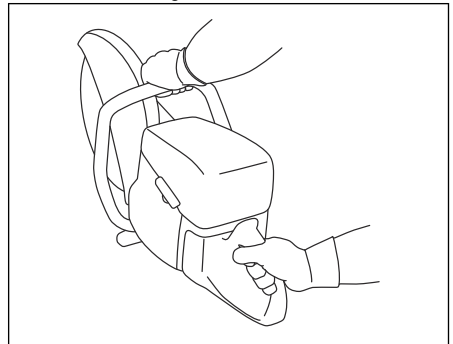


AVERTISSEMENT : Ne pas utiliser une lame de diamant pour couper du plastique. La chaleur qui se produit peut faire fondre le plastique. Le plastique fondu peut se fixer à la lame de coupe et engendrer un rebond.

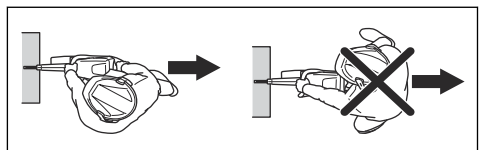
- Le produit est conçu pour les lames diamant à haute vitesse, les lames abrasives et les lames

recommandées pour le produit. Utiliser des disques de coupe Husqvarna recommandés pour le produit.

- Le produit est conçu pour couper les carreaux, le béton léger et la pierre. Utiliser le produit pour ce type d'opération seulement.
- S'assurer que le disque découpeur ne présente aucun dommage et qu'il est correctement monté; se reporter à la section *Lames en abrasif à la page 86* et *Installation du disque découpeur à la page 88*.
- Utiliser toujours le disque découpeur approprié au type de tâche; se reporter à la section *Lames de coupe à la page 84*.
- Ne pas couper de matériau comportant de l'amiante.
- Toujours tenir la découpeuse des deux mains. Toujours tenir fermement le produit en fermant les pouces et les doigts sur les poignées. Toujours tenir la poignée arrière avec la main droite et la poignée avant avec la main gauche.

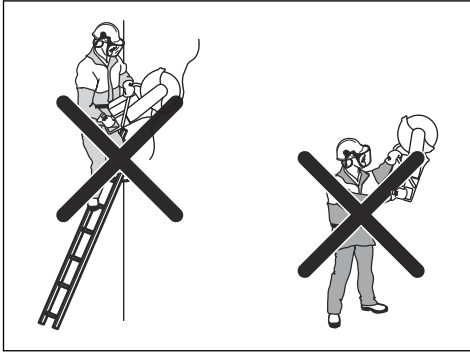


- Toujours se tenir dans un plan parallèle à celui de la lame de coupe. Ne pas se placer de façon linéaire derrière la lame de coupe. En cas de rebond, la découpeuse bougera dans le plan de la lame de coupe.

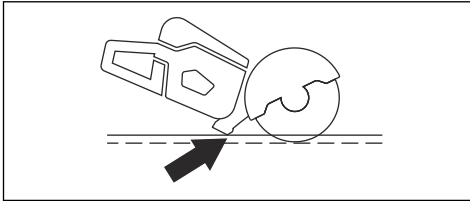


- Demeurer à une distance sécuritaire de la lame de coupe pendant que le moteur tourne.
- S'assurer d'être dans une position stable au cours du travail.
- Maintenir une distance d'avec l'objet que vous êtes en train de couper.
- Ne pas travailler au-dessus de la hauteur des épaules. Si l'endroit où il faut couper se situe au-dessus de la hauteur des épaules, utiliser une plateforme ou un échafaudage. Ne pas trop se pencher vers l'avant.

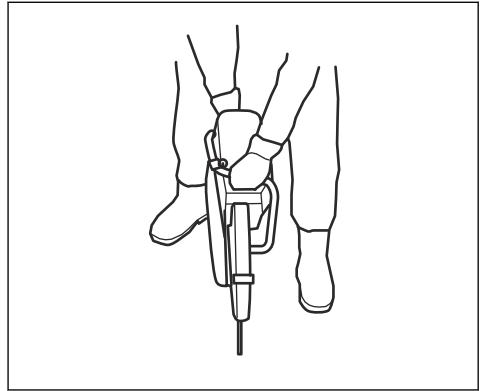
- Ne pas travailler sur une échelle.



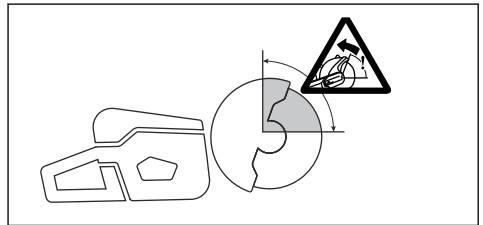
- S'assurer que la lame de coupe est libre lorsque le moteur est mis en marche.
- Toujours surveiller le produit lorsque le moteur tourne.
- Ne pas déplacer le produit alors que la lame de coupe tourne. Le produit est équipé d'un ralentisseur électrique qui réduit le temps d'arrêt de la lame.
- S'assurer que le soutien avant au sol est de niveau avec la pièce à travailler à l'arrière. Le protège-lame recueille les particules et la poussière et les tient à l'écart de l'opérateur.



- Effectuer la coupe à plein régime. Maintenir le plein régime jusqu'à ce que l'opération de découpe soit terminée.
- Appuyer délicatement la lame de coupe contre l'objet en cours de coupe. Ne pas utiliser de la force.
- Aligner la lame de coupe avec le trait de coupe.



- Déplacer lentement la lame de coupe vers l'avant et vers l'arrière pour réduire la zone située entre la lame de coupe et le matériau. Cela permet de réduire la température de la lame de coupe.



- Ne pas couper avec la zone de rebond de la lame, voir la section *Zone de rebond* à la page 89.

Réglage en mode de coupe de tuyaux



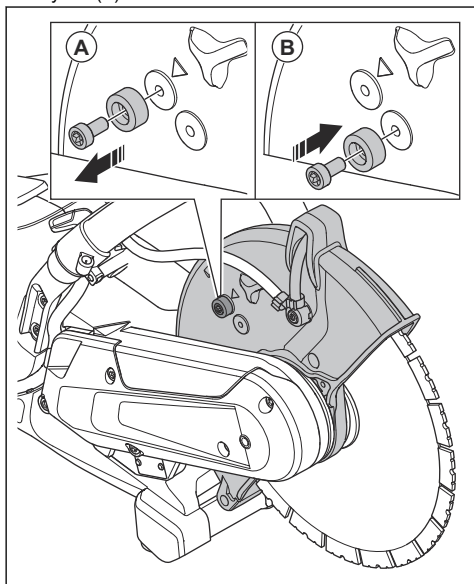
AVERTISSEMENT : La poignée de réglage du protège-lame peut être très chaude; utilisez des gants lorsque vous réglez le protège-lame.



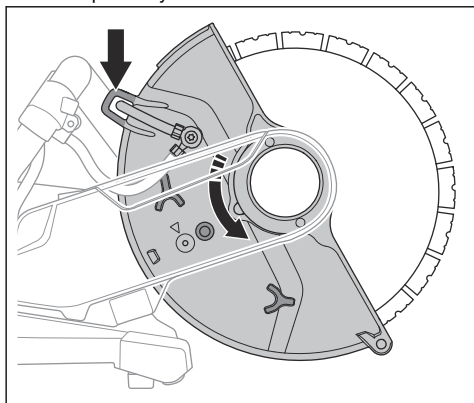
AVERTISSEMENT : Utilisez le mode de coupe de tuyaux uniquement pour les opérations de coupe de tuyaux. Dans toutes les autres opérations, vous devez utiliser le mode de coupe standard.

Le mode de coupe de tuyaux permet de couper les tuyaux dans la zone de rebond.

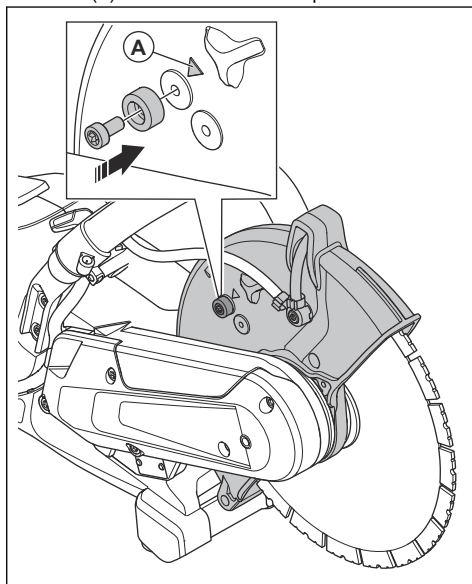
1. Déplacer le boulon d'arrêt du protège-lame du mode de coupe standard (A) au mode de coupe de tuyaux (B).



2. Tirer sur la poignée de réglage pour activer le mode de coupe de tuyaux.



3. Remettre le boulon d'arrêt en mode de coupe standard après l'opération de coupe du tuyaux. La flèche (A) montre le mode de coupe standard.



Coupe à l'eau



MISE EN GARDE : Ne pas utiliser l'équipement d'aspiration en même temps que le système à l'eau.

- Les disques de diamant pour la coupe à l'eau doivent être utilisés avec le système à l'eau.
- L'eau refroidit la lame et augmente la durée de vie de l'outil, tout en réduisant la formation de poussière.
- Lors d'une coupe à l'eau, prendre soin de recueillir les eaux usées en toute sécurité.

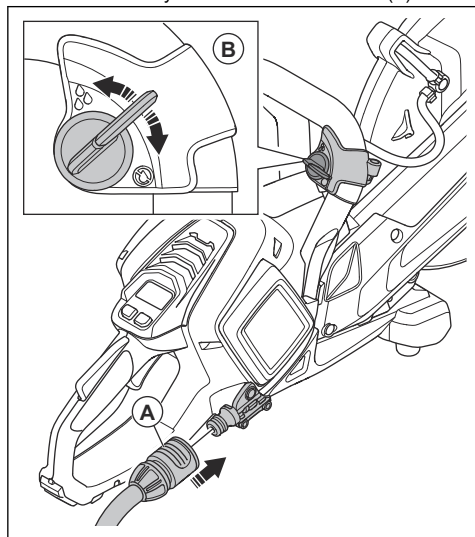
Pour réduire la poussière pendant le fonctionnement

Le produit est doté d'une trousse de découpe à l'eau pour réduire la poussière nocive dans l'air pendant le fonctionnement. La trousse de découpe à l'eau consomme peu d'eau.

- Si possible, utiliser des disques coupeurs pour découpe à l'eau avec refroidissement à l'eau. Se reporter à la section *Lames diamant pour la découpe à l'eau à la page 87*.
- Régler le débit d'eau au moyen du robinet. Le débit adéquat est différent pour différents types de tâches.
- S'assurer que la pression d'eau est correcte. Se reporter à la section . Si le tuyau d'eau est placé au niveau de la source d'alimentation, la pression de l'eau fournie peut être trop élevée.

Raccordement de l'eau de refroidissement

1. Raccorder le tuyau d'eau à l'arrivée d'eau (A).



2. Tourner la soupape d'eau (B) pour démarrer ou arrêter le débit d'eau.
3. Examiner le raccord d'eau et le tuyau pour voir s'il y a des fuites.
4. S'assurer que la pression d'eau n'est pas supérieure à la pression maximale permise; se reporter à la section *Données techniques* à la page 105.

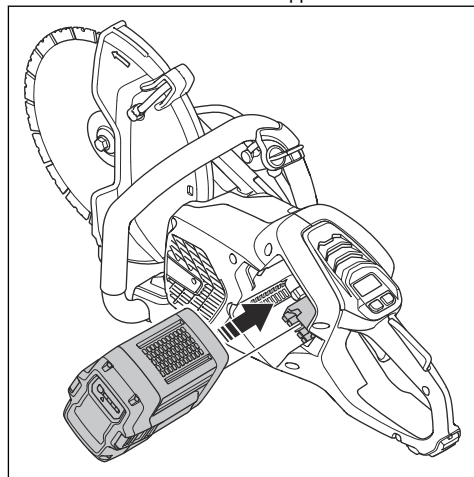
Découpe à sec

- Lors d'une coupe à sec, sortir la lame de son sillon de coupe toutes les 30 à 60 secondes et la laisser tourner dans l'air pendant 10 secondes pour la faire refroidir.
- Utiliser l'équipement d'aspiration dans la mesure du possible.

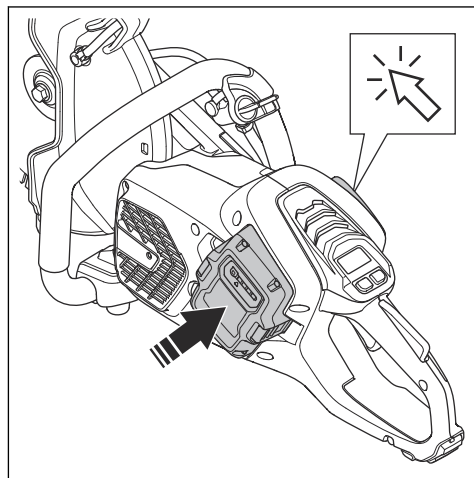
Mise sous tension de l'appareil

1. Vérifier le fonctionnement de la gâchette et de son mécanisme de verrouillage. Se reporter à la section *Vérification du verrouillage de la gâchette* à la page 99.

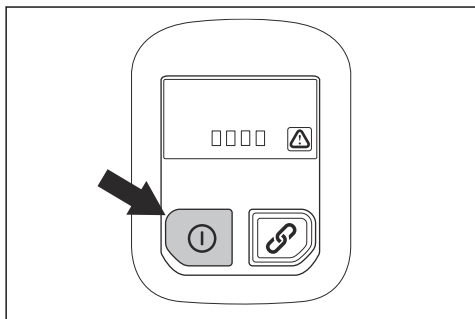
2. Insérer la batterie dans son support.



3. Appuyer sur la partie inférieure de la batterie jusqu'à entendre un clic sonore. Si la batterie ne bouge pas facilement dans son support, elle n'est pas correctement fixée dans celui-ci.



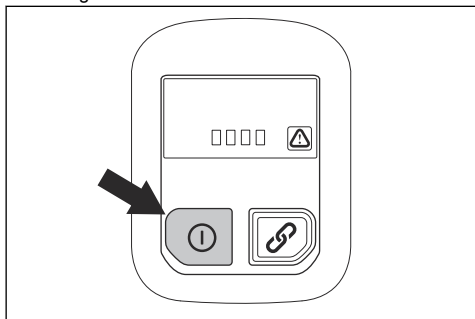
- Appuyer sur le bouton de marche/arrêt et le maintenir enfoncé jusqu'à ce que la DEL verte s'allume.



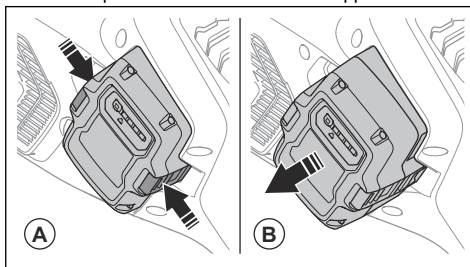
- Appuyer sur la gâchette de puissance pour démarrer le moteur.

Arrêt de la machine

- Relâcher la gâchette.
- Maintenir le bouton de marche/arrêt enfoncé sur le panneau de commande jusqu'à ce que la DEL verte s'éteigne.



- Appuyer sur le bouton de déverrouillage de la batterie pour retirer celle-ci de son support.



AVERTISSEMENT : Retirer la batterie lorsqu'elle n'est pas utilisée ou lorsque le produit ne se trouve pas entièrement dans votre champ de vision. Cette mesure aide à éviter tout démarrage accidentel.

Entretien

Introduction



AVERTISSEMENT : Lire et comprendre le chapitre sur la sécurité avant de faire l'entretien de l'outil.



AVERTISSEMENT : Retirer la batterie avant d'effectuer l'entretien de l'outil.



AVERTISSEMENT : Un entretien mal effectué peut réduire la durée de vie du

produit et augmenter le risque d'accident. Toutes les opérations d'entretien ou de réparation doivent également être réalisées par un professionnel. Pour obtenir de plus amples renseignements, communiquer avec votre centre de services.

Calendrier d'entretien

Voici les mesures d'entretien à effectuer sur l'outil.

Entretien	Avant l'utilisation	Après l'utilisation	Mensuel
Nettoyer les pièces externes de l'outil.	X		
Vérifier que la gâchette et son mécanisme de verrouillage fonctionnent correctement et de façon sécuritaire.	X		
Vérifier la lame de coupe. Vérifier s'il y a des fissures et s'assurer que la lame de coupe n'est pas anormalement usée. Remplacer au besoin.	X		
Vérifier le protège-lame.	X		
Vérifier le carter de la courroie.	X		
Vérifier le système antivibrations.	X		
Nettoyer le logement du ventilateur du produit.	X		
Vérifier que les vis et les écrous sont bien serrés.	X		
S'assurer que le panneau de commande fonctionne correctement et n'est pas endommagé.	X		
Vérifier les points de connexion entre la batterie et l'appareil. Examiner également le point de connexion entre la batterie et le chargeur.			X
Souffler délicatement de l'air comprimé dans le produit et dans les fentes de refroidissement de la batterie.			X
Nettoyer le produit.		X	
Remplacer les pièces endommagées.		X	

Pour nettoyer de l'extérieur

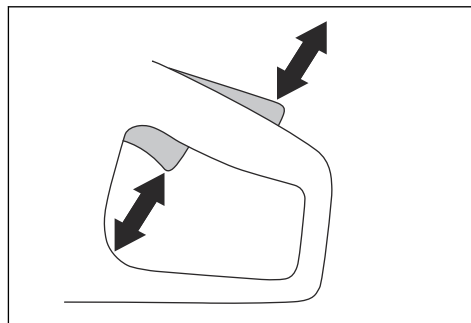


AVERTISSEMENT : Ne pas utiliser un nettoyeur haute pression pour nettoyer le produit.

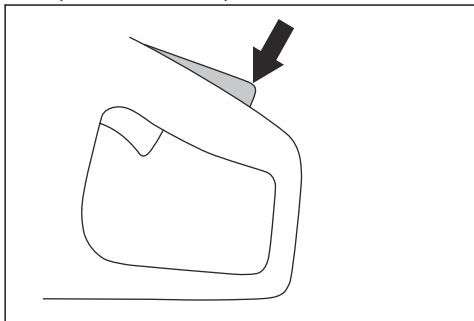
- Rincer le produit de l'extérieur avec de l'eau propre après chaque journée d'utilisation. Au besoin, utiliser une brosse.

Vérification du verrouillage de la gâchette

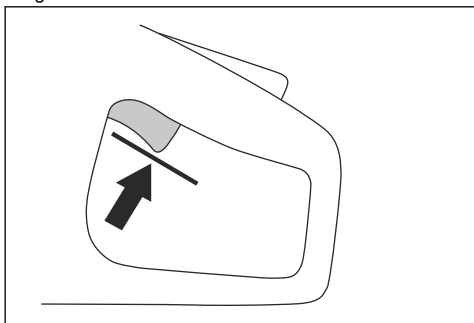
1. Vérifier que la gâchette de puissance et son mécanisme de verrouillage bougent librement et que le ressort de retour fonctionne correctement.



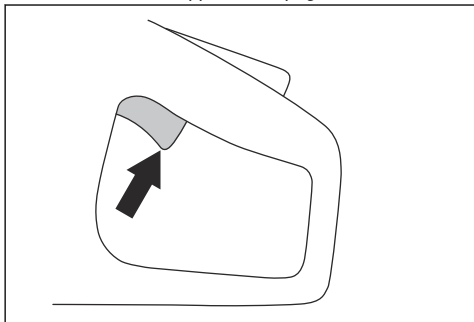
2. Appuyer sur le dispositif de verrouillage de la gâchette de puissance et s'assurer qu'il retourne à sa position initiale lorsqu'on le relâche.



3. S'assurer que la gâchette est verrouillée en position de ralenti lorsque le mécanisme de verrouillage de la gâchette est relâché.



4. Appuyer sur le bouton de marche/arrêt et le maintenir enfoncé pour démarrer le produit et appliquer la puissance maximale. Se reporter à *Mise sous tension de l'appareil à la page 97.*



5. Relâcher la gâchette et s'assurer que la lame de coupe s'arrête. Si la lame de coupe tourne lorsque la gâchette de puissance est à la position de ralenti, communiquer avec le fournisseur de services d'entretien.

Pour nettoyer la batterie et le chargeur de batterie.



AVERTISSEMENT : Ne pas nettoyer la batterie ou le chargeur de batterie avec de l'eau.



AVERTISSEMENT : N'utiliser aucun produit chimique pour nettoyer la batterie.

- S'assurer que la batterie et le chargeur de batterie sont propres et secs avant de raccorder la batterie au chargeur de batterie.
- Nettoyer les cosses batterie avec de l'air comprimé ou utiliser un chiffon doux et sec.
- Nettoyer les surfaces de la batterie et le chargeur de batterie au moyen d'un chiffon sec et doux.

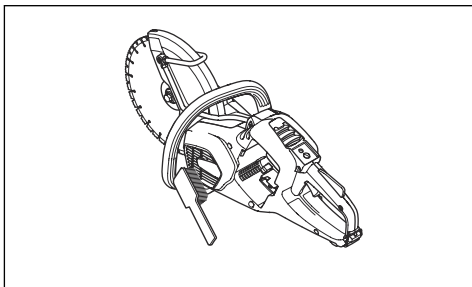
Vérifier le chargeur de batterie

1. S'assurer que le chargeur de batterie et le cordon d'alimentation ne sont pas endommagés. Vérifier s'il y a des fissures ou d'autres dommages.

Nettoyage du système de refroidissement

Le produit dispose d'un système de refroidissement qui maintient la température du produit aussi basse que possible.

Le système de refroidissement dispose d'une prise d'air sur le côté gauche du produit et d'un ventilateur sur le moteur.



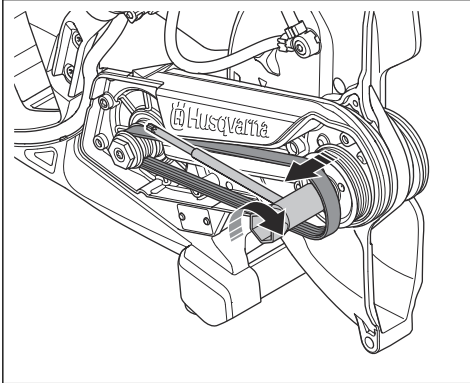
1. Nettoyer le système de refroidissement au moyen d'une brosse une fois par semaine ou plus fréquemment au besoin.
2. S'assurer que le système de refroidissement n'est pas sale ou obstrué.



MISE EN GARDE : Un système de refroidissement sale ou colmaté peut provoquer une surchauffe du produit.

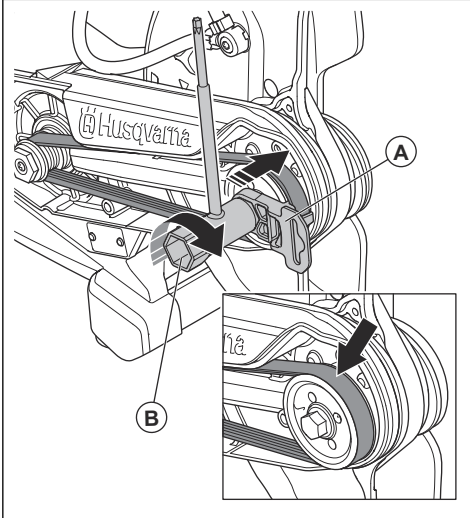
Retrait de la courroie d'entraînement

1. Retirer le protège-courroie. Se reporter à la section *Présentation du produit K 540i* à la page 73.
2. Placer l'outil de courroie sur le dessus de la poulie avant. Utiliser une clé à usages multiples pour tourner la poulie dans le sens horaire tout en tirant la courroie d'entraînement hors de la poulie.



Installation de la courroie d'entraînement

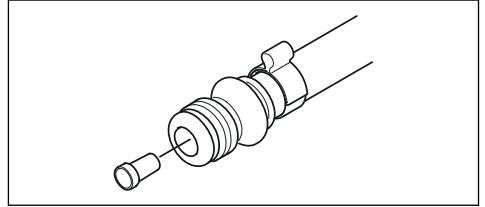
1. Placer la courroie d'entraînement autour de la poulie arrière.
2. Placer l'outil d'assemblage de courroie (AÇ) sur le dessus de la poulie avant.



3. Tourner la poulie avant dans le sens horaire à l'aide de la clé à usages multiples (B). En même temps, pousser la courroie d'entraînement sur la poulie.
4. Fixer le protège-courroie. Se reporter à la section *Présentation du produit K 540i* à la page 73.

Vérification du système d'alimentation en eau

1. Examiner les buses sur le protège-lame et s'assurer qu'elles ne sont pas obstruées.
2. Nettoyer si nécessaire.
3. Examiner le filtre sur le raccord d'eau. S'assurer qu'il n'est pas obstrué.
4. Nettoyer si nécessaire.



5. Examiner les conduites et vérifier qu'elles ne sont pas endommagées.

Service

Centre de service agréé

Pour trouver le centre de service approuvé Husqvarna le plus près, consulter le site Web www.husqvarnaconstruction.com.

Dépannage

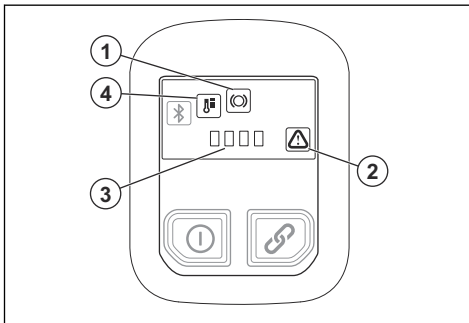
Dépannage du produit

Problème	Causes	Solution
Le produit ne démarre pas. Aucune DEL ne s'allume lorsque le bouton de marche/arrêt du produit est enfoncé.	La batterie est endommagée.	Effectuez un essai avec une autre batterie.
	La prise entre la batterie et le produit est défectueuse.	S'assurer que les connecteurs d'alimentation entre la batterie et le produit sont propres et en bon état.
	La batterie n'est pas correctement installée dans le produit.	Retirer la batterie et l'installer correctement.
	L'entretien est nécessaire.	Communiquer avec un centre de service après-vente Husqvarna agréé.
Le produit est en marche, mais un témoin d'avertissement ou un témoin est allumé ou clignote.	Un erreur affecte le produit.	Communiquer avec un centre de service après-vente Husqvarna agréé.
Le produit est en marche, mais le moteur ne démarre pas lorsque vous appuyez sur la gâchette de puissance.	L'entretien est nécessaire.	Communiquer avec un centre de service après-vente Husqvarna agréé.
Le moteur est en marche, mais l'axe de lame ne tourne pas.	La courroie d'entraînement est endommagée ou usée.	Remplacer la courroie d'entraînement; se reporter à la section <i>Retrait de la courroie d'entraînement à la page 101</i> .
Un bruit inhabituel provient des paliers avant.	Les paliers sont endommagés ou usés.	Communiquer avec un centre de service après-vente Husqvarna agréé.
Il y a des vibrations inhabituelles lorsque le produit est en marche.		
Le produit effectue des mouvements brusques lorsque la gâchette de puissance est enfoncée, puis il s'arrête immédiatement.	Il y a un court-circuit dans l'unité de commande.	Communiquer avec un centre de service après-vente Husqvarna agréé.
Le produit s'arrête après un rebond.	La fonction X-Halt est activée.	Communiquer avec un centre de service après-vente Husqvarna agréé.

Problème	Causes	Solution
Le moteur effectue des mouvements brusques lorsque la gachette de puissance est enfoncée, puis il s'arrête.	L'entretien est nécessaire.	Attendre X-Halt pour désactiver.
Le produit s'arrête lors de l'application d'une charge de travail.	La charge de travail du produit est trop grande.	Redémarrer le produit et réduire la charge de travail.

Indicateurs LED du panneau de commande

Les voyants à DEL sur le panneau de commande indiquent l'état de charge de la batterie et s'il y a des problèmes avec le produit.



Témoins à DEL	Indication	Causes	Solution
8	L'indicateur clignote.	La fonction X-Halt est activée.	Attendre que le produit refroidisse et que la fonction X-Halt se désactive.
	L'indicateur est allumé.	L'entretien est nécessaire.	Communiquer avec un centre de service après-vente Husqvarna agréé.
8	L'indicateur clignote.	Il y a une erreur de batterie.	Tirer sur la gachette de puissance une fois pour réinitialiser l'avertissement d'erreur. Si l'avertissement d'erreur revient, effectuer un test avec une batterie différente.
		Erreur temporaire	Tirer sur la gachette de puissance une fois pour réinitialiser l'avertissement d'erreur. Si le problème persiste, communiquer avec un centre de service Husqvarna approuvé.
		Le commutateur d'activation et le bouton de marche/arrêt sont enfoncés en même temps.	Relâcher la gachette de puissance et démarrer le produit.
	L'indicateur est allumé.	L'entretien est nécessaire.	Communiquer avec un centre de service après-vente Husqvarna agréé.

Té- moin à DEL	Indication	Causes	Solution
3	Les quatre indicateurs clignotent.	Le produit est en train d'effectuer une mise à jour du micrologiciel par liaison radio.	Laissez la mise à jour par liaison radio se terminer.
		L'entretien est nécessaire.	Communiquer avec un centre de service après-vente Husqvarna agréé.
2 et 3	Le voyant 2 et la première DEL du voyant 3 clignotent.	La tension de la batterie est faible.	Charger la batterie.
2 et 4	Le voyant 2 clignote et le voyant 4 est allumé.	Écart de température.	Le produit est trop chaud ou trop froid.

Transport, entreposage et mise au rebut

Transport et entreposage

- Immobiliser le produit pendant le transport pour éviter tout dommage ou accident.
- Retirer le disque découpeur avant de transporter ou d'entreposer le produit.
- Garder le produit dans un endroit verrouillé hors de portée des enfants et des personnes non autorisées.
- Maintenir les disques découpeurs au sec et à l'abri du gel.
- Débrancher la batterie du produit.
- Avant l'assemblage, vérifier que tous les disques neufs et usagés n'ont pas été endommagés lors du transport et du stockage.

Mise au rebut de la batterie, du chargeur de batterie et de l'outil

Le symbole ci-dessous signifie que le produit n'est pas un déchet domestique. Recycler dans un centre de recyclage pour équipements électriques et électroniques. De cette façon, vous ne nuirez pas à l'environnement.

Communiquer avec les autorités locales, le service de déchets ménagers et votre concessionnaire pour obtenir de plus amples renseignements.



Remarque : Le symbole sur le produit ou l'emballage du produit, indique :

Données techniques

Caractéristiques techniques

Husqvarna K 540i		
Tension c.c. maximale/nominale, V		40 / 36
Poids, kg/lb		4,2/9,3
Profondeur de coupe max., mm / po		100/3,9
Diamètre de lame maximal, mm / po		267/10,5
Épaisseur de lame maximale, mm / po	Lames abrasives	3,0/0,12
	Lames diamant	1,6/0,06
Arbre de lame, tr/min, à vide		5550
Refroidissement à l'eau de la lame		Oui
Embout de raccordement		Type « Gardena »
Pression d'eau recommandée, bars / lb/po ²		0,5 – 6 / 7,3 – 87
Pression d'eau maximale, bars / lb/po ²		6/87

Déclaration relative au bruit et aux vibrations

Ces valeurs déclarées ont été obtenues par essai en laboratoire conformément à la directive ou aux normes indiquées et peuvent être comparées aux valeurs déclarées d'autres produits testés conformément à la même directive ou aux mêmes normes. Ces valeurs déclarées ne conviennent pas aux évaluations des

risques et les valeurs mesurées sur des lieux de travail individuels peuvent être plus élevées. Les valeurs d'exposition réelles et le risque d'atteinte encouru par un utilisateur individuel sont uniques et dépendent de la façon dont l'utilisateur travaille, du matériau dans lequel le produit est utilisé, du temps d'exposition et de la condition physique de l'utilisateur, ainsi que de l'état du produit.

Connectivité intégrée

Remarque : Cette partie concerne uniquement les produits fournis avec une connectivité intégrée.

Spectre radio de la technologie BLE	
Bandes de fréquences de l'outil, GHz	2,402-2,480
Émission maximale de radiofréquence, dBm/mW	4/2,5

Accessoires

Batteries homologuées pour le produit

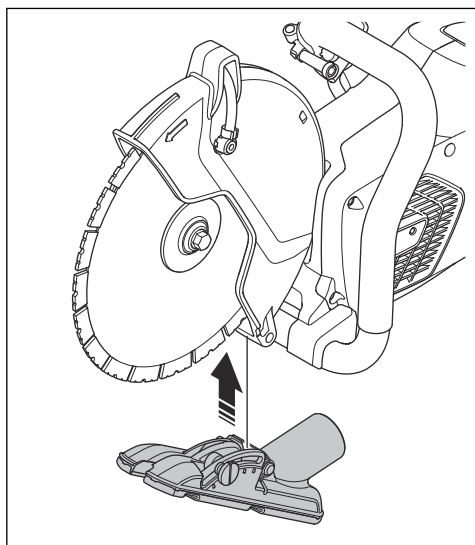
Batterie	BLI200	BLI300
Type	Lithium-ion	Lithium-ion
Capacité de la batterie, Ah	5,2	9,4
Tension nominale, V	36	36
Poids, kg/lb	1,3 / 2,9	1,9 / 4,2

Chargeurs de batteries homologués pour le produit

Chargeur de batterie	QC330	QC500
Tension secteur, V	100-240	100-240
Fréquence, Hz	50-60	50-60
Puissance, W	330	500

Accessoire d'aspirateur (accessoire)

Utiliser l'accessoire d'aspirateur pour connecter un extracteur de poussière au produit.



Déclaration de conformité du fournisseur pour K 540i

Information de conformité à 47 CFR § 2.1077

Partie responsable : Husqvarna Construction Products
North America, Inc. 17400 W 119th Street, Olathe,
Kansas 66061 ÉTATS-UNIS

Personne-ressource aux États-Unis : Neil Stanford,
Responsable de la conformité, numéro de téléphone :
913-928-1000

Déclaration de conformité FCC Les modifications non
expressément approuvées par Husqvarna peuvent
annuler la conformité de l'équipement aux règlements
de la FCC (Commission fédérale des communications
américaine) et limiter le droit de l'utilisateur à utiliser
l'équipement.

Remarque : Cet équipement a été testé et
trouvé conforme aux limites d'un appareil de classe B,
conformément à l'article 15 des règlements de la
FCC. Ces limites sont conçues pour fournir une
protection raisonnable contre les interférences nuisibles
dans une installation résidentielle. Cet équipement
produit, utilise et peut émettre des fréquences radio
et, s'il n'est pas installé et utilisé conformément
aux instructions, il peut provoquer des interférences
nuisibles aux communications radio. Cependant, il n'y
a aucune garantie que des interférences ne pourront
pas se produire dans une installation particulière. Si
cet équipement engendre des interférences nuisibles
pour la réception radio ou télévisuelle, ce qui peut
être déterminé en éteignant l'équipement, l'utilisateur
est encouragé à essayer de corriger l'interférence en
prenant une ou plusieurs des mesures suivantes :

- Réorienter ou déplacer l'antenne réceptrice.
 - Augmenter la distance entre l'équipement et le récepteur.
 - Raccorder l'équipement à une prise située sur un circuit différent de celui sur lequel le récepteur est raccordé.
 - Communiquer avec le concessionnaire ou un technicien radio/TV expérimenté pour obtenir de l'aide.
-

Marques déposées

La marque et les logos *Bluetooth®* sont des marques déposées appartenant à *Bluetooth SIG, inc.* et tout usage de ces marques par Husqvarna est soumise à licence.



www.husqvarnaconstruction.com

Original instructions
Instrucciones originales
Instructions d'origine

1143312-49



2023-08-25