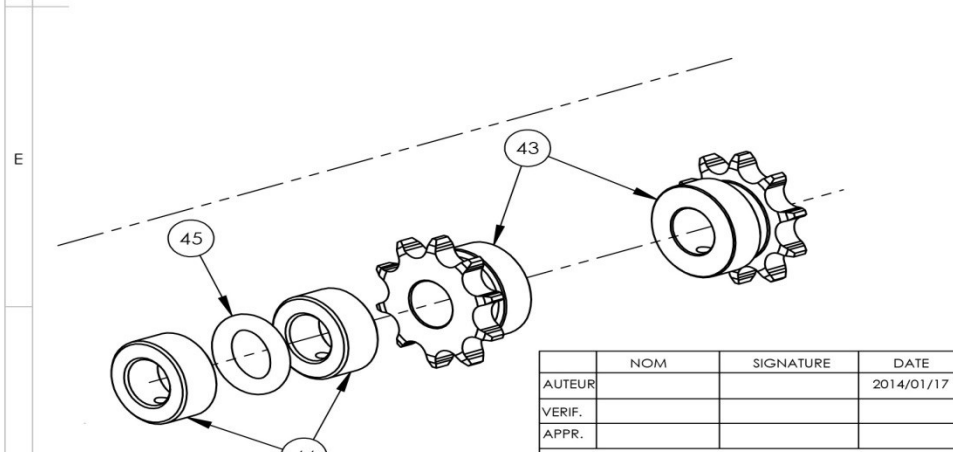
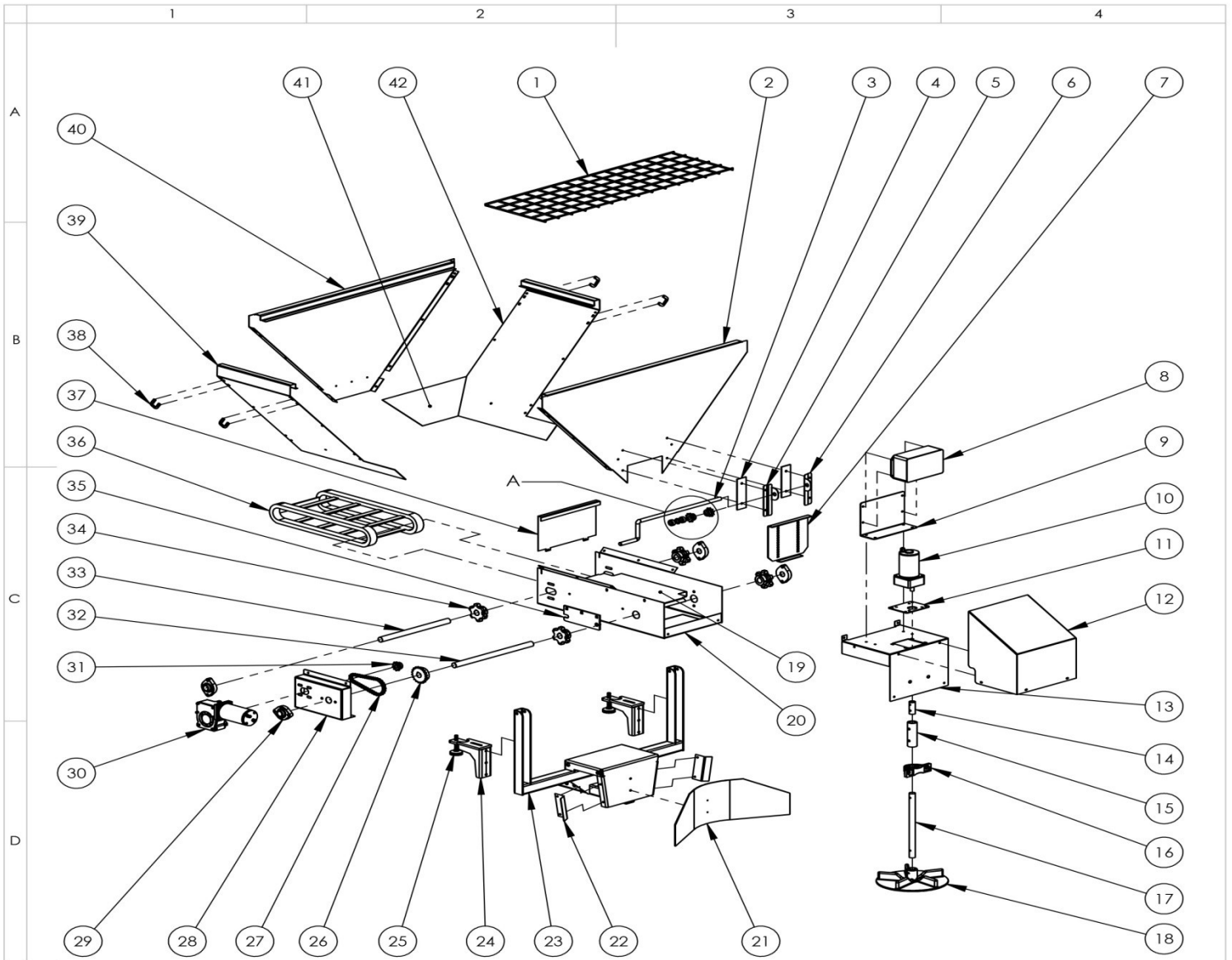


NTG 675



DÉTAIL A
ECHELLE 1 : 2

	NOM	SIGNATURE	DATE
AUTEUR			2014/01/17
VERIF.			
APPR.			

SAUF INDICATION CONTRAIRE:
LES COTES SONT EN MILLIMETRES
ETAT DE SURFACE:
TOLERANCES:
LINEAIRES:
ANGULAIRES:
MASSE:



TITRE:

No. DE PLAN
NTG675
REVISION

ECHELLE: 1:25 | FEUILLE 1 SUR 1 | A4

"NTG 675" PARTS BREAKDOWN

ITEM	DESCRIPTION	PART
1	Top Screen	NTG010
2	Rear panel	NTG-D02
3	Door handle	PS018
4	Door slides (sold in pair unit price)	PS010
5	Bracket for door handle right	PS003
6	Bracket for door handle left	PS004
7	Flow Gate	PS005
8	Speed control	VSCD-3W
9	Control support	UTV-SS-D36
10	Spinner motor	PS052
11	Spinner motor support	NTG-D06-1
12	Motor cover	NTG-D06-0
13	Rear support	NTG-D06
14	Stub shaft	TG018
15	Rubber coupling	PS051
16	Pillow block bearing	PS030
17	Spinner shaft	NTG 054
18	Spinner disc Rubber	PS012-RB
19	Conveyor floor	NTG-D21
20	Conveyor body	NTG-D05
21	Deflector	NTG013
22	Deflector ajustement	NTG-D31
23	Attachement foot	NTG-D00
24	Stabilisator	NTG-12
25	Adjustable leg	TG 008
26	Driven sprocket for conveyor	UTV040
27	Motor conveyor chain (40x36p)	UTV036
28	Sprocket box	NTG-D07
29	Flange pillow block bearing	TG 010
30	Conveyor motor	TG 021
31	Motor sprocket	UTV041
32	Train shaft	UTV013-NTG
33	Conveyor shaft	NTG-022
34	Conveyor sprocket	PS023
35	Body attachement part	NTG-D33
36	Conveyor chain	PS034-NTG
37	Conveyor front cover	NTG-D08
38	Anchor ring	NTG-D32
39	Side panel left	NTG-D04-G
40	Front panel	NTG-D01
41	Deflector	NTG-D34
42	Side panel right	NTG-D04-D
43	Door sprocket	PS037
44	Collar door handle(sold in pair unit price)	PS017
45	O-ring	PS057
	Chute bearing protector	PS100
	NTG Locking Pin	NTG-AS-01