

# KOHLER® SH SERIES™

5.5–6.5 HP Engines



Maintenance Information  
- Daily/Each Use  
- Initial 5 hrs.  
- Every 100 hrs./Annually  
- Kohler 10W-30 Oil  
Recommended  
- Daily/Each Use  
at [www.KohlerEngines.com](http://www.KohlerEngines.com)

**KOHLER®**  
IN POWER. SINCE 1920.

# DESIGNED FOR THE CONSUMER. BUILT FOR THE PRO.

Tough as nails. The hard-working KOHLER® SH Series™ engine is designed for quick, easy maintenance. Heavy-duty features like a cast-iron cylinder liner give consumers the same engine protection the pros need. Larger displacement results in more power. Built to last, so you get more hours out of your equipment.

## DURABLE & RELIABLE

- Better fuel efficiency and cleaner emissions with overhead valve design vs. L-head design
- Built to last with heavy-duty crankshaft and cast-iron cylinder liner
- Added protection with Oil Sentry™ automatic low-oil shutdown system

## EASY TO USE

- Effortless starts with large indexable recoil starter and dual ball bearings
- Smooth operation from reduced noise and vibration
- Stop less and work more with large fuel tank





## EASY TO MAINTAIN

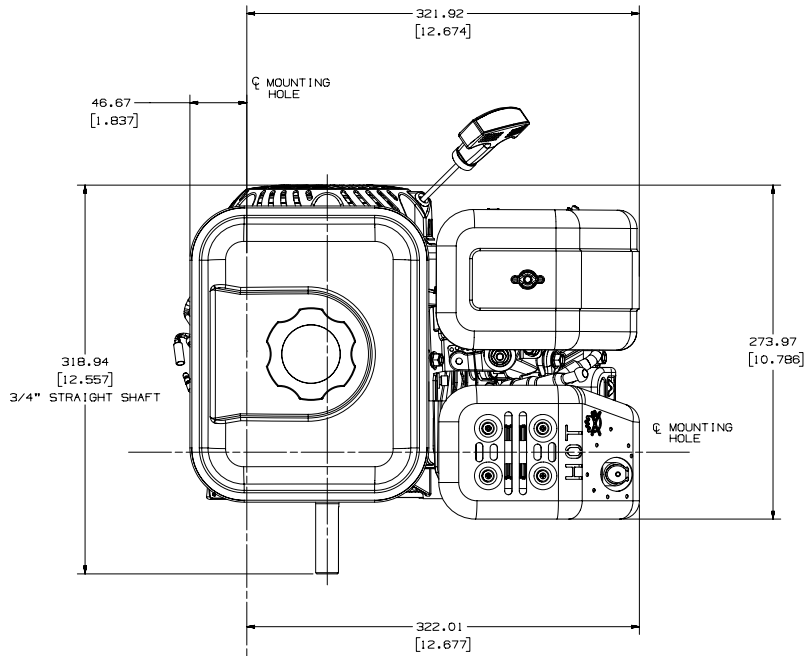
- Easy maintenance and less downtime with dual oil fills and drains
- Simple, easy-access controls and no-tools-required air cleaner

## TOTAL SUPPORT

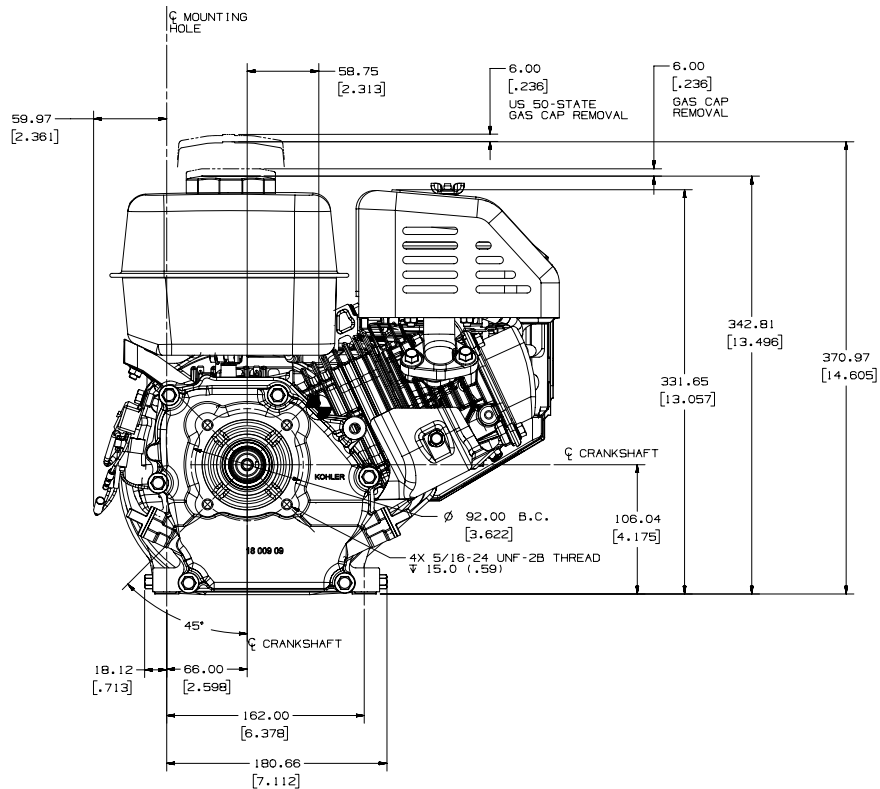
- We stand behind our dealers. And they stand behind our warranty
- Need a replacement part? It's in stock now, not later
- KOHLER genuine parts are built for the long haul to give you peace of mind

# KOHLER<sup>®</sup> SH SERIES<sup>™</sup>

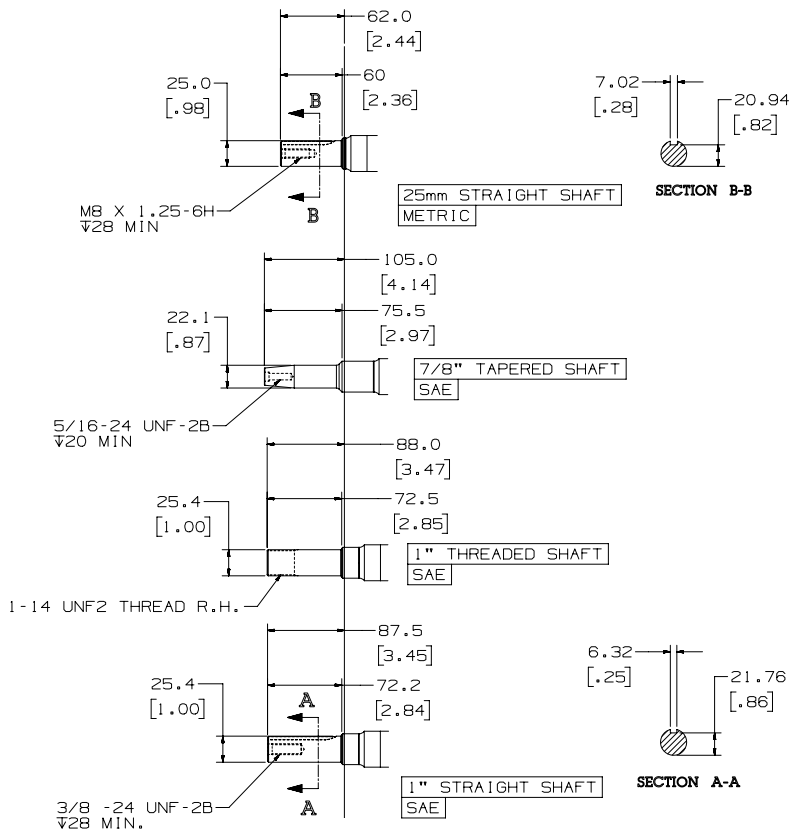
## 5.5–6.5 HP Engines



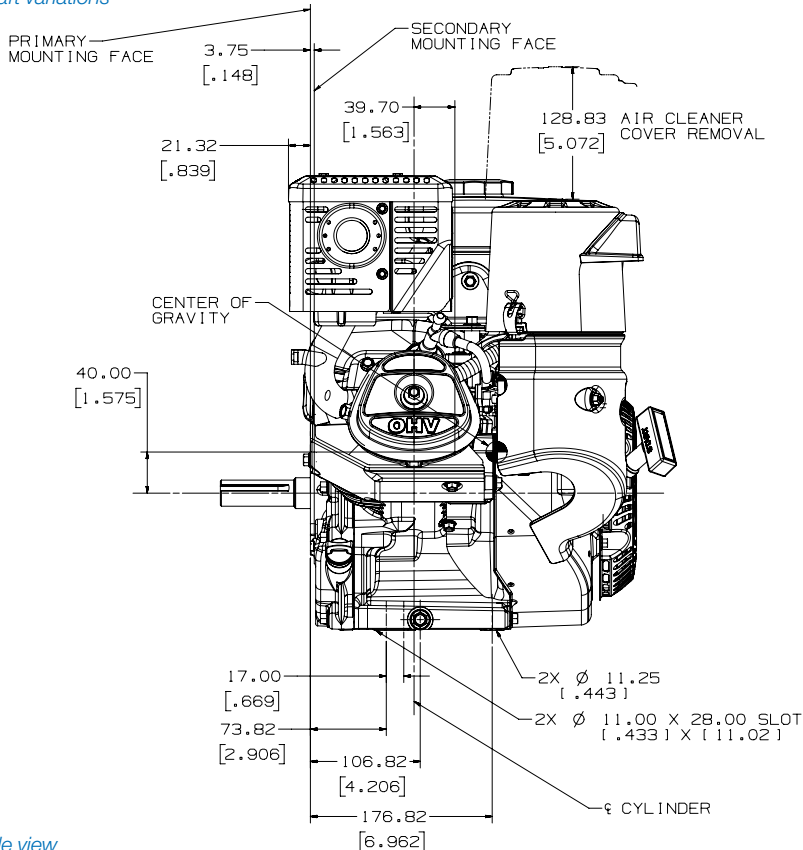
Top view



PTO view

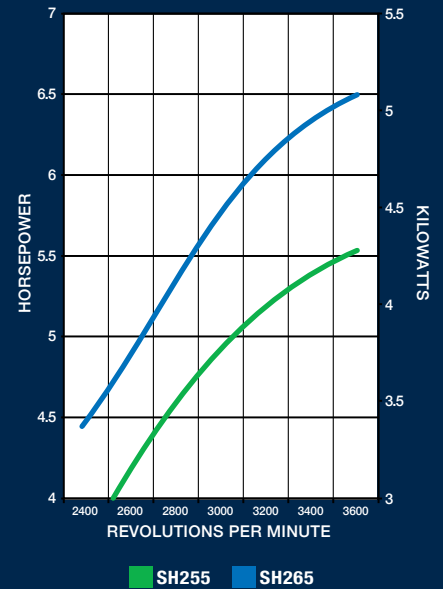


**Shaft variations**

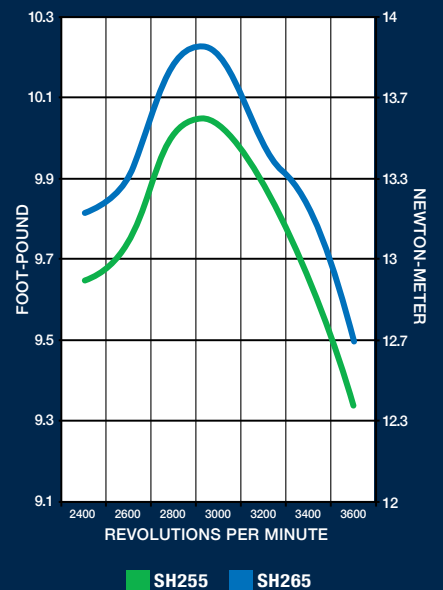


**Side view**

**MAXIMUM POWER**



**MAXIMUM TORQUE**



# FEATURES AND OPTIONS



## KOHLER® SH SERIES™

| ENGINE TYPE               |                 | Four-cycle, single-cylinder, slant-cylinder, OHV, air-cooled, gasoline, horizontal shaft, aluminum head and crankcase with cast-iron cylinder liner. |                    |
|---------------------------|-----------------|--|--------------------|
| MODEL                     |                 | SH255  | SH265              |
| GROSS POWER @ 3600 RPM*   | Maximum hp (kW) | 5.5 (4.2)  | 6.5 (4.8)          |
| DISPLACEMENT              | cu in (cc)      | 12 (196)   |                    |
| BORE                      | in (mm)         | 2.7 (68)   |                    |
| STROKE                    | in (mm)         | 2.1 (54)   |                    |
| PEAK TORQUE @ 3000 BPM    | ft-lb (Nm)      | 10.0 (13.6) @ 3000   | 10.2 (13.8) @ 3000 |
| COMPRESSION RATIO         |                 | 8.5:1  |                    |
| DRY WEIGHT (RECOIL START) | lb (kg)         | 35.3 (16)  |                    |
| OIL CAPACITY              | U.S. qt (L)     | 0.6 (.6)   |                    |
| FUEL CAPACITY             | U.S. qt (L)     | 3.4 (3.3)  |                    |
| LUBRICATION               |                 | Splash   |                    |
| DIMENSIONS† L x W x H     | in (mm)         | 9.9 x 14.5 x 14.6 (253 x 369 x 371)  |                    |
| CRANKSHAFT HEIGHT         | in (mm)         | 4.2 (106)  |                    |

\*Horsepower ratings exceed Society of Automotive Engineers Small Engine Test Code J1940. Actual engine horsepower is lower and affected by, but not limited to, accessories (air cleaner, exhaust, charging, cooling, fuel pump, etc.), application, engine speed and ambient operating conditions (temperature, humidity and altitude). For more information, contact Kohler Co. Engine Engineering. Kohler reserves the right to change product specifications, designs and equipment without notice and without incurring obligation.

†Engine measurements based on a base engine without electric start. Length is recoil starter to PTO face.



## STANDARD FEATURES

|                                |  |                                 |                                     |
|--------------------------------|--|---------------------------------|-------------------------------------|
| OHV slant cylinder             | Quiet muffler with heat shield               | Sound-deadening alloy crankcase | Silenced air intake                 |
| Cast-iron cylinder liner       | CARB Tier 3-compliant                        | Dual ball bearings              | Indexable Easy-Pull™ recoil starter |
| Large-capacity metal fuel tank | Easy-access throttle, choke and fuel shutoff | Carburetor bowl drain           | Remote throttle (built-in)          |
| In-neck fuel debris screen     | Automatic compression release                | Dual oil fills and drains       | 2-year consumer limited warranty    |
| Water trap in carburetor       | Mechanical governor                          | Dual-element air cleaner        |                                     |
| Electronic ignition            |  | High-inertia flywheel           |                                     |

## POPULAR FACTORY OPTIONS

|                                |  |   |                                |
|--------------------------------|--|---|--------------------------------|
| 12-volt starter                | Crankshaft/PTO variations (keyed, tapered, threaded) | EU noise-compliant                            | EMC/RFI-compliant              |
| Exhaust deflector              |  | Oil Sentry™ automatic low-oil shutdown system | Fuel Secure™ auto fuel shutoff |
| Spark arrestor                 | Low-profile air cleaner and muffler (generator)      |   |                                |
| 3- and 10-amp charging systems |  |   |                                |

**KOHLER**<sup>®</sup>  
IN POWER. SINCE 1920.

For more information, contact your KOHLER source of supply.  
Or call toll-free in the U.S. and Canada 800-544-2444.

**KohlerEngines.com**

PRINTED IN U.S.A E-2212-E 10/16 © 2016 KOHLER CO.