



Accessories for ECHO products can be found at:
Pour obtenir des accessoires pour les produits ECHO,
consulter notre catalogue d'accessoires à:
<http://www.echo.ca/products/catalogs>

PARTS CATALOG
NOMENCLATURE DES PIÈCES

SHC-2620
Shafted Hedge Trimmer
SHC-2620 Taille-Haie



25.4 cc

SERIAL NUMBER
NUMÉRO DE SÉRIE

T95515001001 - T95515999999

ECHO, INCORPORATED

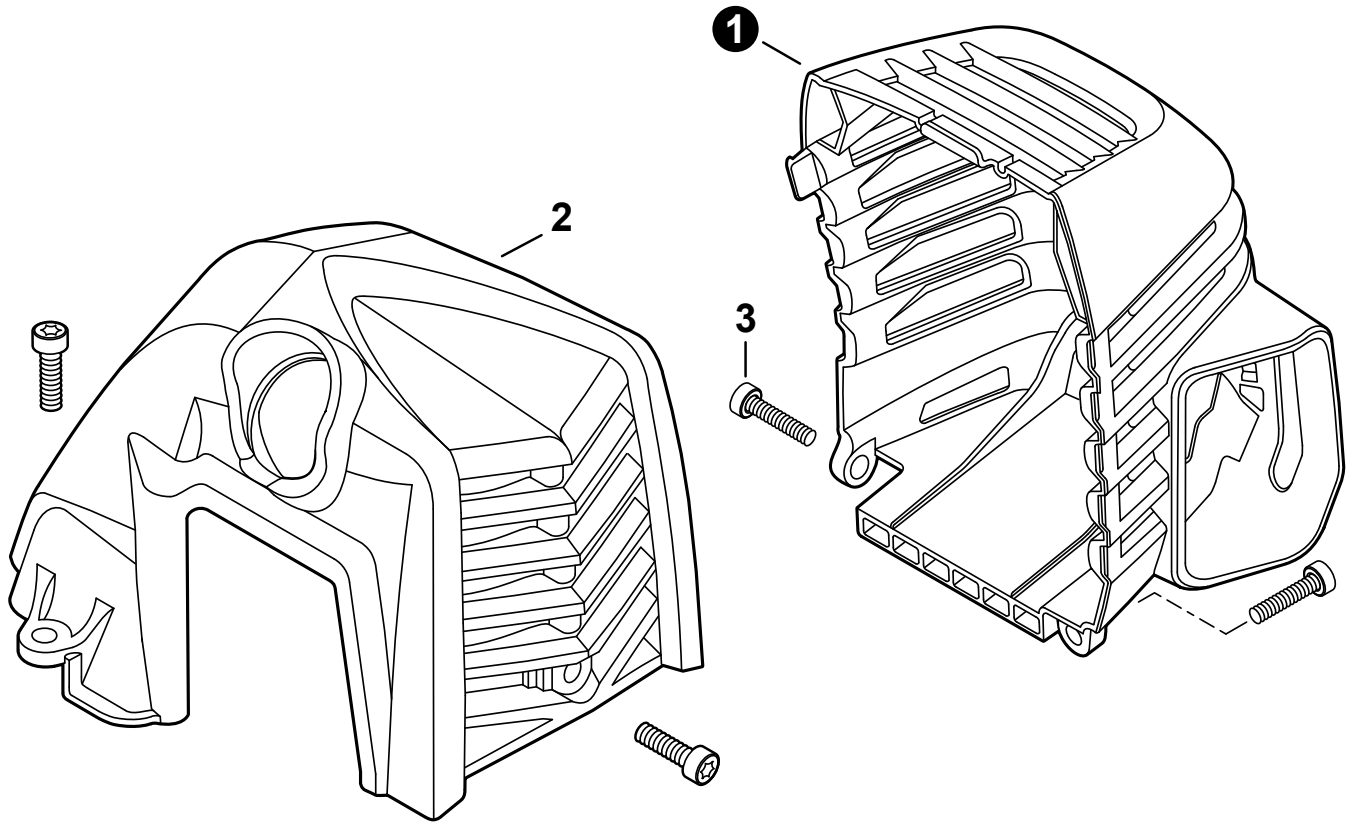
400 Oakwood Road, Lake Zurich, Illinois 60047

WWW.ECHO-USA.COM

©2017 ECHO, Incorporated. All Rights Reserved

P/N 99922205035
REVISED 01/01/20

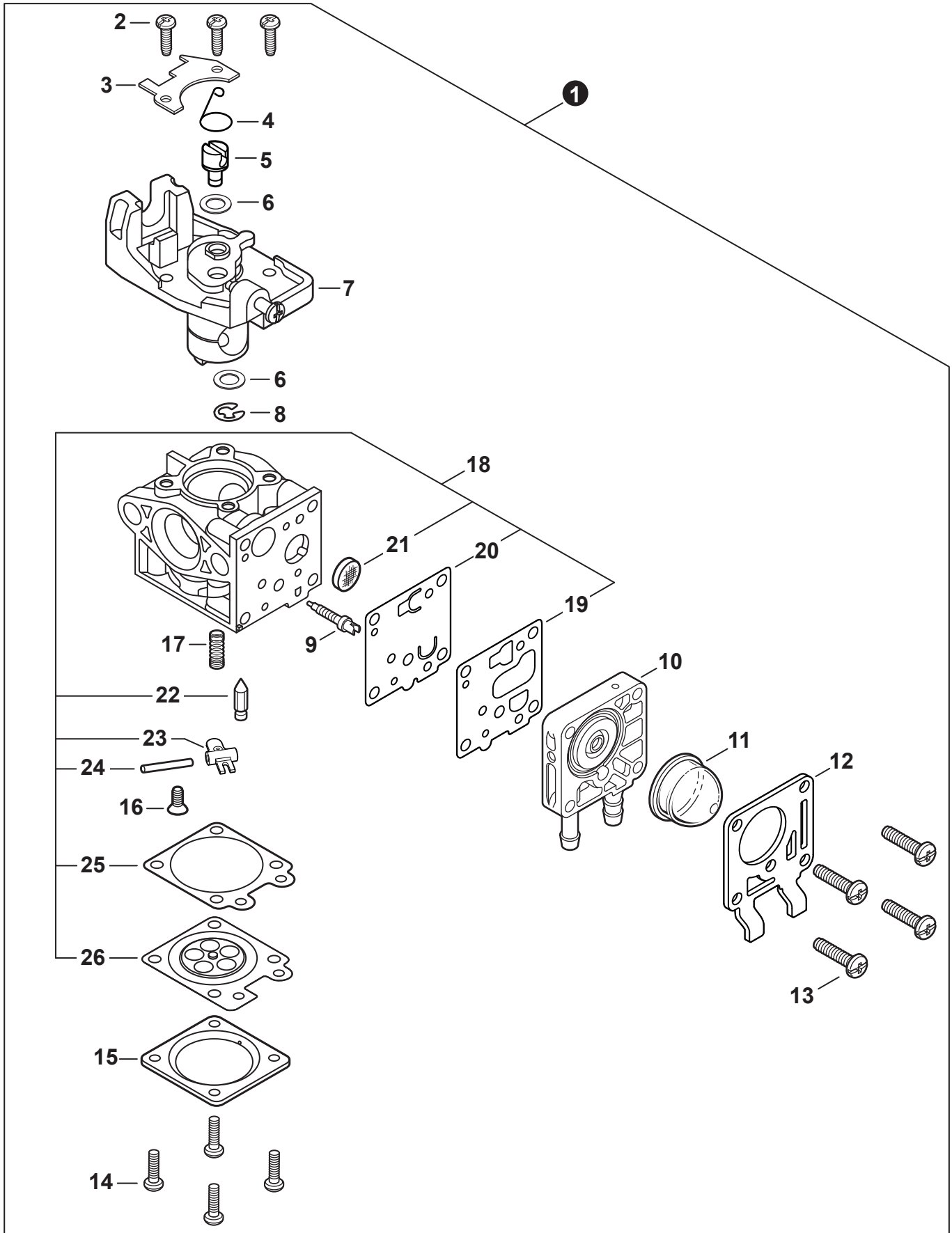
| | |
|---|---|
| Engine Cover 3 Couvercle de moteur | Control Handle 15 Poignée de commande |
| Engine 4 Moteur | Gear Case 16 Boîtier d'engrenage |
| Engine 5 Moteur | Gear Case 17 Boîtier d'engrenage |
| Carburetor 6 Carburateur | Cutters 18 Lames |
| Carburetor 7 Carburateur | Cutters 19 Lames |
| Intake 8 Admission | Cutting Head Kit 19 Tête de coupe complet |
| Exhaust 9 Échappement | Labels 20 Étiquettes |
| Ignition 10 Allumage | Tools 21 Outils |
| Starter 11 Lanceur à rappel | Maintenance Kits 21 Trousse d'entretien |
| Fuel System 12 Système de carburant | Bulk Pipe 22 Tuyau En Vrac |
| Fan Case 13 Couvre-ventilateur | Bulk Starter Rope 22 Corde Du Démarreur En Vrac |
| Main Pipe 14 Tube de transmission | |



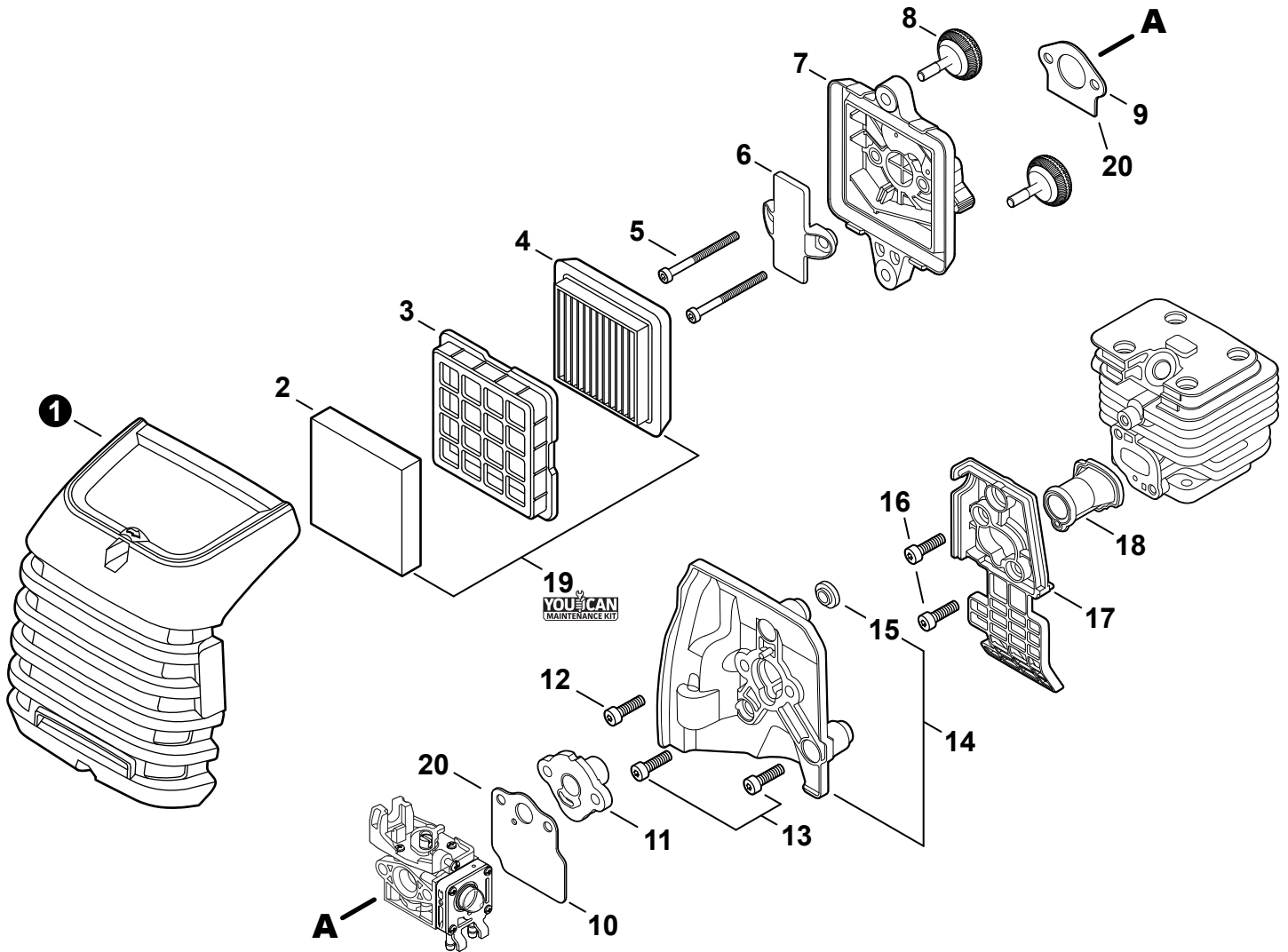
| NO. | PART NUMBER | QTY. | DESCRIPTION | NOM DE LA PIÈCE |
|-----|-------------|------|-----------------|-------------------------|
| 1 | A320001200 | 1 | COVER, MUFFLER | COUVERCLE DU SILENCIEUX |
| 2 | A160003280 | 1 | COVER, ENGINE | COUVERCLE DE MOTEUR |
| 3 | V835000010 | 4 | BOLT, TORX 5×12 | BOULON TORX 5×12 |



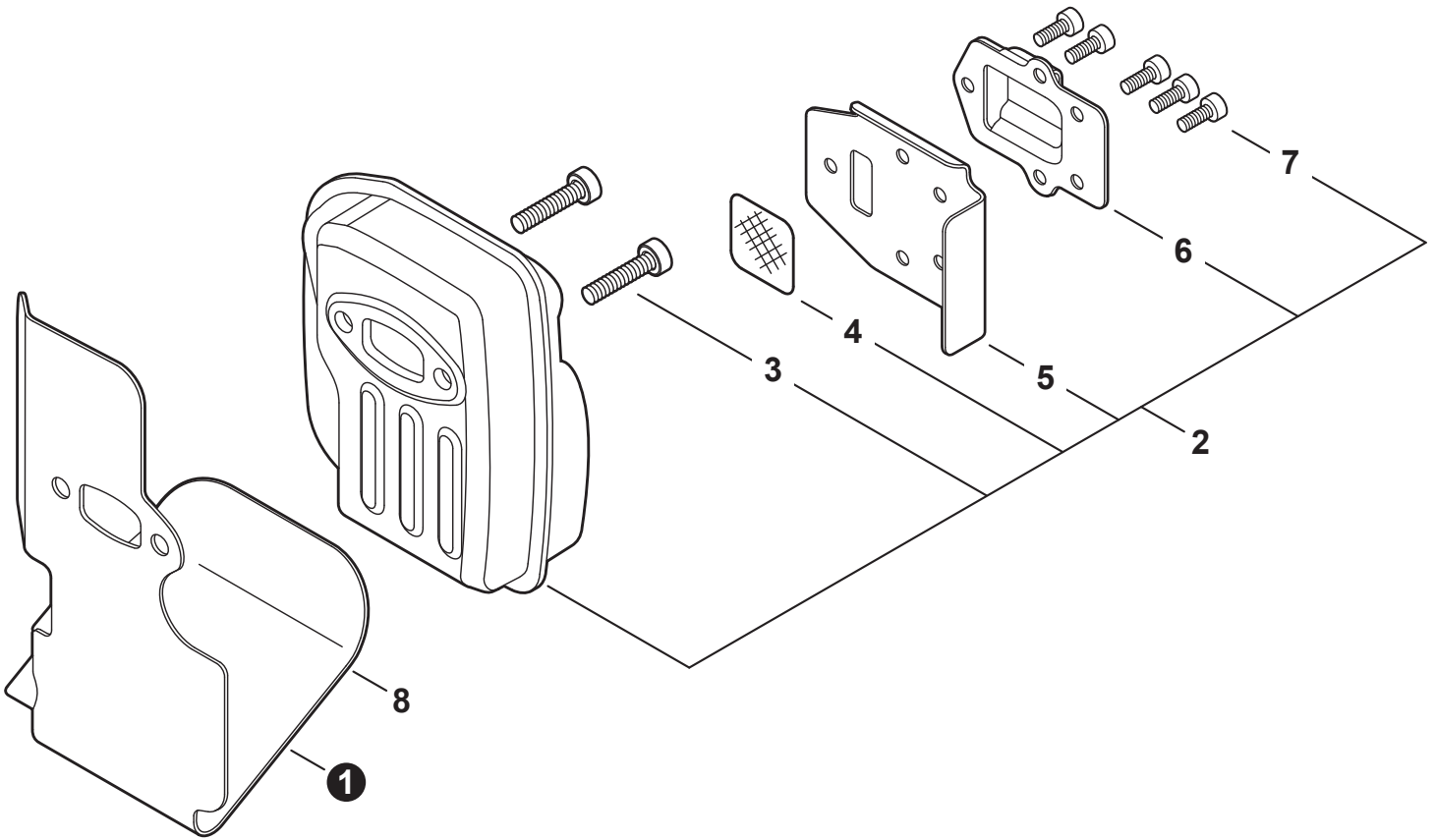
| NO. | PART NUMBER | QTY. | DESCRIPTION | NOM DE LA PIÈCE |
|-----|-------------|------|-------------------------------------|--|
| 1 | SB1118 | 1 | SHORT BLOCK | BLOC MOTEUR EMBIELLÉ |
| 2 | V805000210 | 4 | +BOLT, TORX 5×20 | +BOULON TORX 5×20 |
| 3 | A130002330 | 1 | +CYLINDER | +CYLINDRE |
| 4 | V103001900 | 1 | +GASKET, INTAKE | +JOINT D'ADMISSION |
| 5 | V103001890 | 1 | +HEAT SHIELD, INTAKE | +BOUCLIER THERMIQUE ADMISSION |
| 6 | V104002310 | 1 | +HEAT SHIELD, EXHAUST | +BOUCLIER THERMIQUE ÉCHAPPEMENT |
| 7 | V100000840 | 1 | +GASKET, CYLINDER | +JOINT CYLINDRE |
| 8 | P021050840 | 1 | +PISTON KIT | +KIT DE PISTON |
| 9 | A101000010 | 2 | ++RING, PISTON | ++SEGMENT DE PISTON |
| 10 | 10001503931 | 2 | ++RING, SNAP | ++ANNEAU ÉLASTIQUE |
| 11 | V554000020 | 1 | ++BEARING, NEEDLE 9 | ++ROULEMENT À AIGUILLES 9 |
| 12 | 10001335430 | 1 | ++PIN, PISTON | ++AXE DE PISTON |
| 13 | 10001453630 | 2 | ++WASHER, THRUST | ++RONDELLE DE BUTÉE |
| 14 | 10014212330 | 1 | +KEY, WOODRUFF | +CLAVETTE-DISQUE |
| 15 | A011001460 | 1 | +CRANKSHAFT ASSY | +VILEBREQUIN COMPLET |
| 16 | P021050850 | 1 | +CRANKCASE KIT | +KIT DE CARTER DE MOTEUR |
| 17 | V805000220 | 3 | ++BOLT, TORX 5×25 | ++BOULON TORX 5×25 |
| 18 | 10021242031 | 1 | ++SEAL, OIL 12 | ++JOINT D'HUILE 12 |
| 19 | 90033040080 | 2 | ++PIN, LOCATING 4×8 | ++GOUPILLE DE POSITIONNEMENT 4×8 |
| 20 | V102000300 | 1 | ++GASKET, CRANKCASE | ++JOINT CARTER DE MOTEUR |
| 21 | 90080036001 | 1 | ++BEARING, BALL 6001 | ++ROULEMENT À BILLES 6001 |
| 22 | 90081036000 | 1 | ++BEARING, BALL | ++ROULEMENT À BILLES |
| 23 | V503000040 | 1 | ++SEAL, OIL 10 | ++JOINT D'HUILE 10 |
| 24 | P021051540 | 1 | GASKET KIT: ENGINE, INTAKE, EXHAUST | KIT DE JOINTS - MOTEUR, ADMISSION, ÉCHAPPEMENT |



| NO. | PART NUMBER | QTY. | DESCRIPTION | NOM DE LA PIÈCE |
|-----|-------------------|----------|--------------------------------|---------------------------------------|
| 1 | A021004600 | 1 | CARBURETOR - WYG-9 | CARBURATEUR - WYG-9 |
| 2 | 12311440630 | 3 | +SCREW | +VIS |
| 3 | P003005900 | 1 | +PLATE | +PLAQUE |
| 4 | P003005890 | 1 | +CLIP | +ATTACHE |
| 5 | P003005850 | 1 | +SWIVEL | +PIVOT |
| 6 | P003001710 | 2 | +WASHER | +RONDELLE |
| 7 | P003006140 | 1 | +THROTTLE VALVE ASSY | +PAPILLON D'ACCÉLÉRATEUR |
| 8 | 12317307930 | 1 | +E-RING | +BAGUE EN E |
| 9 | P003005880 | 1 | +NEEDLE, MIXTURE | +AIGUILLE DE MÉLANGE |
| 10 | P003006260 | 1 | +BODY ASSY, PUMP | +CORPS DE POMPE COMPLET |
| 11 | 12318109560 | 1 | +BULB, PURGE | +POIRE DE PURGE |
| 12 | P003004510 | 1 | +COVER, FUEL PUMP | +COUVERCLE DE POMPE À CARBURANT |
| 13 | P003004570 | 4 | +SCREW | +VIS |
| 14 | P003004560 | 4 | +SCREW | +VIS |
| 15 | 12314203930 | 1 | +COVER, METERING DIAPHRAGM | +COUVERCLE DOSEUSE À MEMBRANE |
| 16 | P003005860 | 1 | +SCREW | +VIS |
| 17 | P003005870 | 1 | +SPRING | +RESSORT |
| 18 | P003005940 | 1 | +REPAIR KIT, CARBURETOR | +KIT DE RÉPARATION CARBURATEUR |
| 19 | | 1 | ++GASKET, FUEL PUMP | ++JOINT DE POMPE À CARBURANT |
| 20 | | 1 | ++DIAPHRAGM, FUEL PUMP | ++MEMBRANE DE POMPE À CARBURANT |
| 21 | | 1 | ++SCREEN, FUEL INLET | ++FILTRE À TAMIS |
| 22 | | 1 | ++VALVE, INLET NEEDLE | ++SOUPAPE À POINTEAU D'ADMISSION |
| 23 | | 1 | ++LEVER, METERING | ++LEVIER DE DOSAGE |
| 24 | | 1 | ++PIN, METERING LEVER | ++CHEVILLE DU LEVIER DE DOSAGE |
| 25 | | 1 | ++GASKET, METERING DIAPHRAGM | ++JOINT DU MEMBRANE DE DOSAGE |
| 26 | | 1 | ++DIAPHRAGM, METERING | ++MEMBRANE DE DOSAGE |



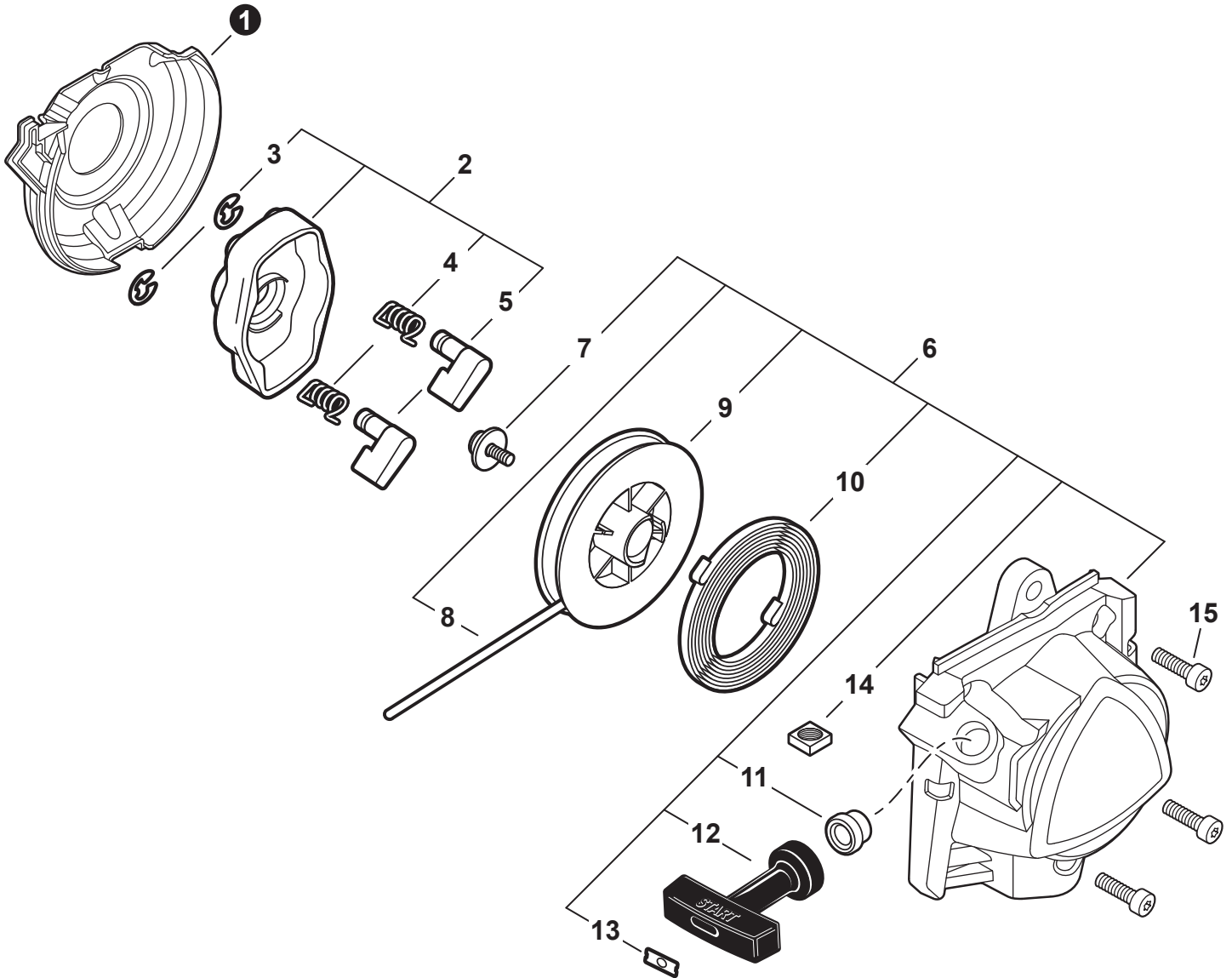
| NO. | PART NUMBER | QTY. | DESCRIPTION | NOM DE LA PIÈCE |
|-----|-------------------|------|--|---|
| 1 | A232001890 | 1 | COVER, AIR FILTER | COUVERCLE DU FILTRE D'AIR |
| 2 | A226002040 | 1 | PRE-FILTER, FOAM | PRÉ-FILTRE EN MOUSSE |
| 3 | A227000050 | 1 | RETAINER, PRE-FILTER | ATTACHE, PRÉ-FILTRE |
| 4 | A226002030 | 1 | FILTER, AIR | FILTRE D'AIR |
| 5 | V805000340 | 2 | BOLT, TORX 5×60 | BOULON TORX 5×60 |
| 6 | A244000370 | 1 | PLATE, PREVENT | PLAQUE, PRÉVENTION |
| 7 | P021050880 | 1 | CASE, AIR FILTER | BOÎTIER DE FILTRE D'AIR |
| 8 | V299000640 | 2 | THUMBSCREW | VIS À SERRAGE À MAIN |
| 9 | V103001900 | 1 | GASKET, INTAKE | JOINT D'ADMISSION |
| 10 | V103001890 | 1 | HEAT SHIELD, INTAKE | BOUCLIER THERMIQUE ADMISSION |
| 11 | A209001000 | 1 | BOOT, INSULATOR PLATE | BOTTE, PLAQUE ISOLANTE |
| 12 | V855000000 | 1 | BOLT, TORX 5×20 | BOULON TORX 5×20 |
| 13 | V805000150 | 2 | BOLT, TORX 5×16 | BOULON TORX 5×16 |
| 14 | A209001010 | 1 | PLATE, INSULATOR | PLAQUE ISOLANTE |
| 15 | V353000020 | 1 | +COLLAR 5 | +COLLET 5 |
| 16 | V253001020 | 2 | SCREW 5×16 | VIS 5×16 |
| 17 | A206000040 | 1 | HOLDER, BELLOWS | SUPPORT DE SOUFFLET |
| 18 | A202000300 | 1 | BELLOWS, INTAKE | SOUFFLET D'ADMISSION |
| 19 | 90181Y | 1 | TUNE-UP KIT - YOUCAN™ | KIT DE MISE AU POINT - YOUCAN™ |
| 20 | P021051540 | 1 | GASKET KIT: ENGINE, INTAKE, EXHAUST | KIT DE JOINTS - MOTEUR, ADMISSION, ÉCHAPPEMENT |



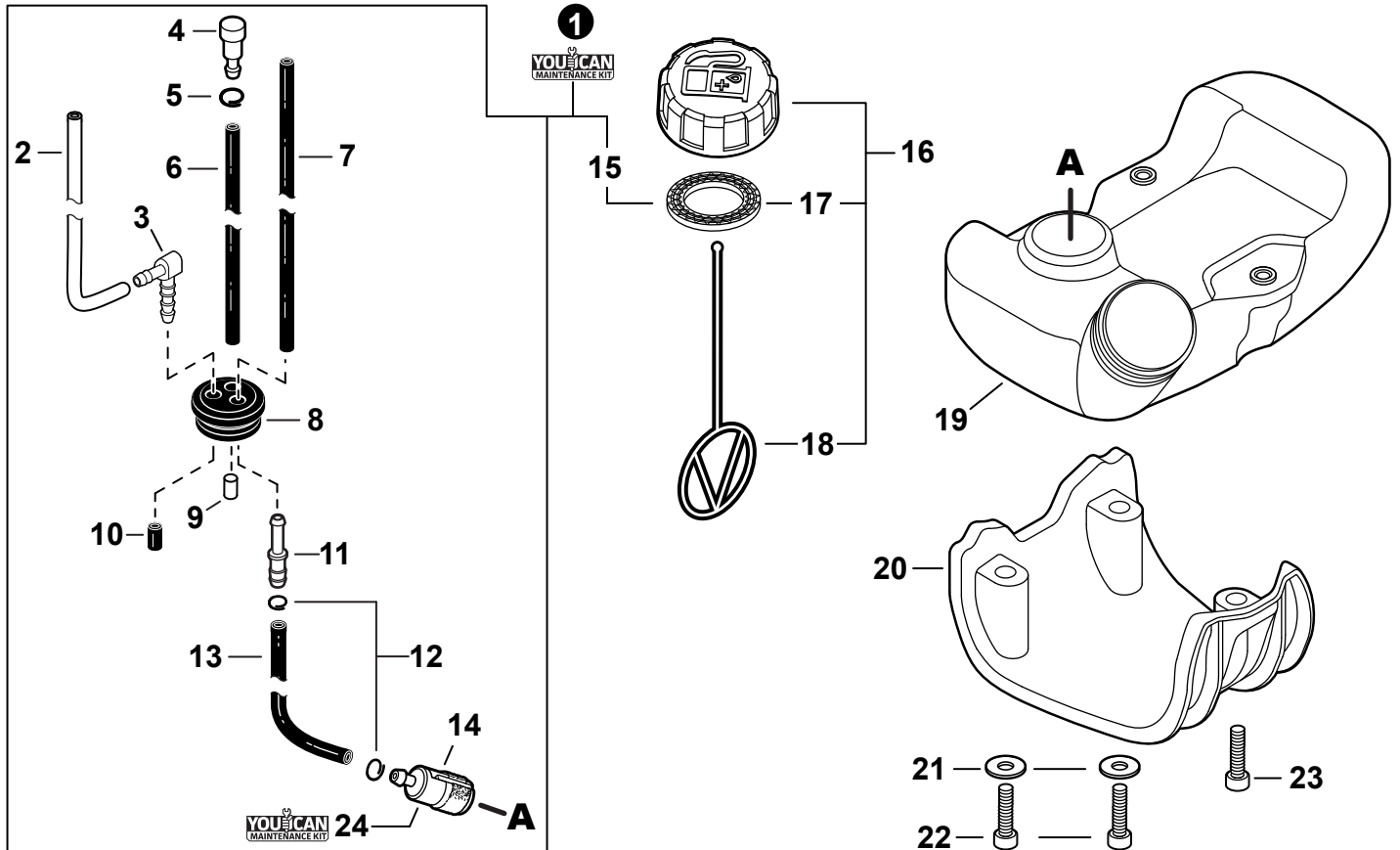
| NO. | PART NUMBER | QTY. | DESCRIPTION | NOM DE LA PIÈCE |
|-----|-------------------|------|--|---|
| 1 | V104002310 | 1 | HEAT SHIELD, EXHAUST | BOULIER THERMIQUE ÉCHAPPEMENT |
| 2 | P021050900 | 1 | MUFFLER ASSY | ASSEMBLAGE SILENCIEUX |
| 3 | V805000250 | 2 | +BOLT, TORX 5×16 | +BOULON TORX 5×16 |
| 4 | 14586240630 | 1 | +SCREEN, SPARK ARRESTER | +PARE-ÉTINCELLES |
| 5 | V104002300 | 1 | +GASKET, EXHAUST | +JOINT D'ÉCHAPPEMENT |
| 6 | A313002060 | 1 | +GUIDE, EXHAUST | +GUIDE D'ÉCHAPPEMENT |
| 7 | V804000030 | 5 | +BOLT, TORX 4×8 | +BOULON TORX 4×8 |
| 8 | P021051540 | 1 | GASKET KIT: ENGINE, INTAKE, EXHAUST | KIT DE JOINTS - MOTEUR, ADMISSION, ÉCHAPPEMENT |



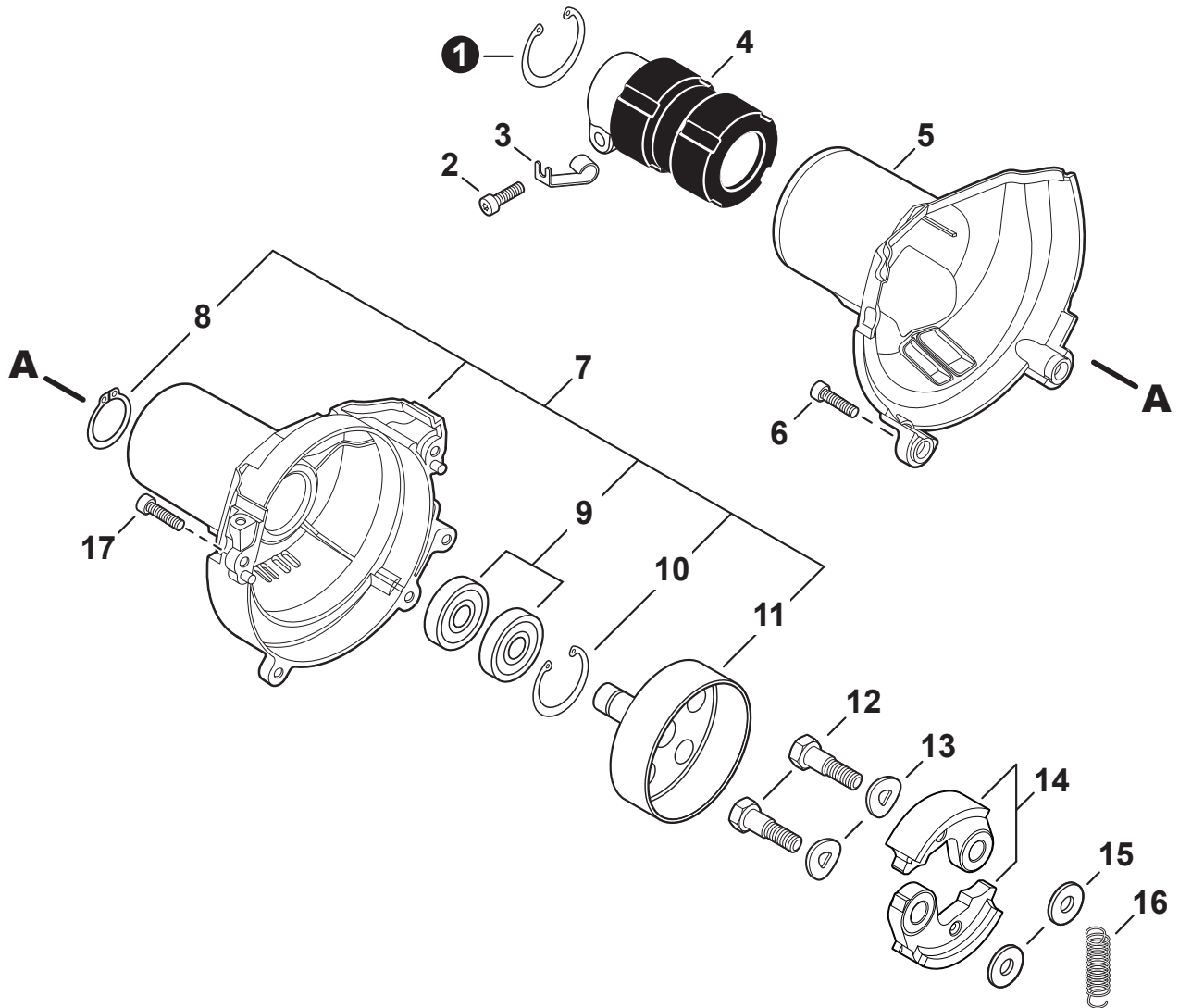
| NO. | PART NUMBER | QTY. | DESCRIPTION | NOM DE LA PIÈCE |
|-----|-------------|------|-----------------------|--------------------------------|
| 1 | V485002880 | 1 | LEAD SET - IGNITION | ENSEMBLE DE CÂBLE D'ALLUMAGE |
| 2 | V805000210 | 2 | BOLT, TORX 5×20 | BOULON TORX 5×20 |
| 3 | C152001030 | 1 | CONNECTOR | CONNEXION |
| 4 | A411001710 | 1 | COIL, IGNITION | BOBINE D'ALLUMAGE |
| 5 | V323000070 | 2 | SPACER 5 | ENTRETOISE 5 |
| 6 | V475007540 | 1 | TUBE, INSULATOR | TUYAU ISOLANTE |
| 7 | 15611004920 | 1 | GROMMET | OEILLET |
| 8 | A427000220 | 1 | CAP, SPARK PLUG | PROTECTEUR DE BOUGIE |
| 9 | A426000010 | 1 | TERMINAL, SPARK PLUG | BORNE DE BOUGIE |
| 10 | A425000060 | 1 | SPARK PLUG - CMR7H | BOUGIE - CMR7H |
| 11 | 90051500008 | 1 | NUT, FLANGE M8 | ÉCROU |
| 12 | A409001320 | 1 | FLYWHEEL | VOLANT |
| 13 | 90181Y | 1 | TUNE-UP KIT - YOUCAN™ | KIT DE MISE AU POINT - YOUCAN™ |



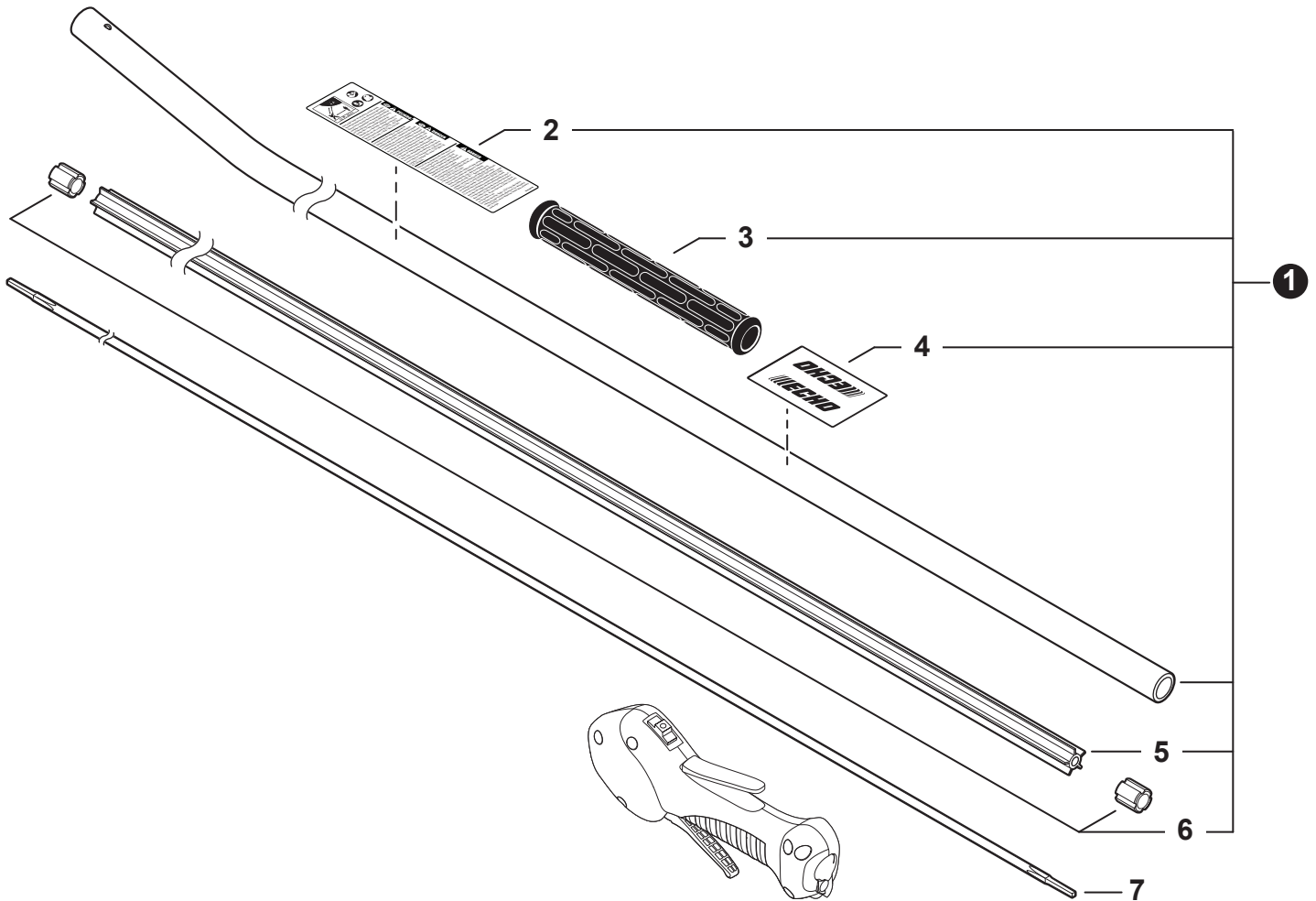
| NO. | PART NUMBER | QTY. | DESCRIPTION | NOM DE LA PIÈCE |
|-----|-------------|------|----------------------|-------------------------------------|
| 1 | A127000470 | 1 | COVER, DUST | COUVERCLE PARE-POUSSIÈRE |
| 2 | A052000030 | 1 | PAWL ASSY, STARTER | CLIQUET DE LANCEUR À RAPPEL COMPLET |
| 3 | P022002100 | 2 | +E-RING 4 | +BAGUE EN E 4 |
| 4 | 17723440630 | 2 | +SPRING, RETURN | +RESSORT DE RAPPEL |
| 5 | A514000120 | 2 | +PAWL, STARTER | +CLIQUET |
| 6 | A051003210 | 1 | STARTER ASSY, RECOIL | ASSEMBLAGE DU LANCEUR À RAPPEL |
| 7 | 17723644330 | 1 | +SCREW | +VIS |
| 8 | P022043690 | 1 | +ROPE, STARTER | +CORDE DU DÉMARREUR |
| 9 | 17721540630 | 1 | +REEL, ROPE | +ENROULEUR DE CÂBLE |
| 10 | 17722040630 | 1 | +SPRING, RECOIL | +RESSORT DE RAPPEL |
| 11 | 17722742030 | 1 | +GUIDE, ROPE | +GUIDE DE CORDE |
| 12 | 17722827030 | 1 | +GRIP, STARTER | +POIGNÉE DU DÉMARREUR |
| 13 | P022037670 | 1 | +RETAINER, ROPE | +RETENUE DE CORDE |
| 14 | 90056500005 | 2 | +NUT M5 | +ÉCROU M5 |
| 15 | V835000010 | 3 | BOLT, TORX 5×12 | BOULON TORX 5×12 |



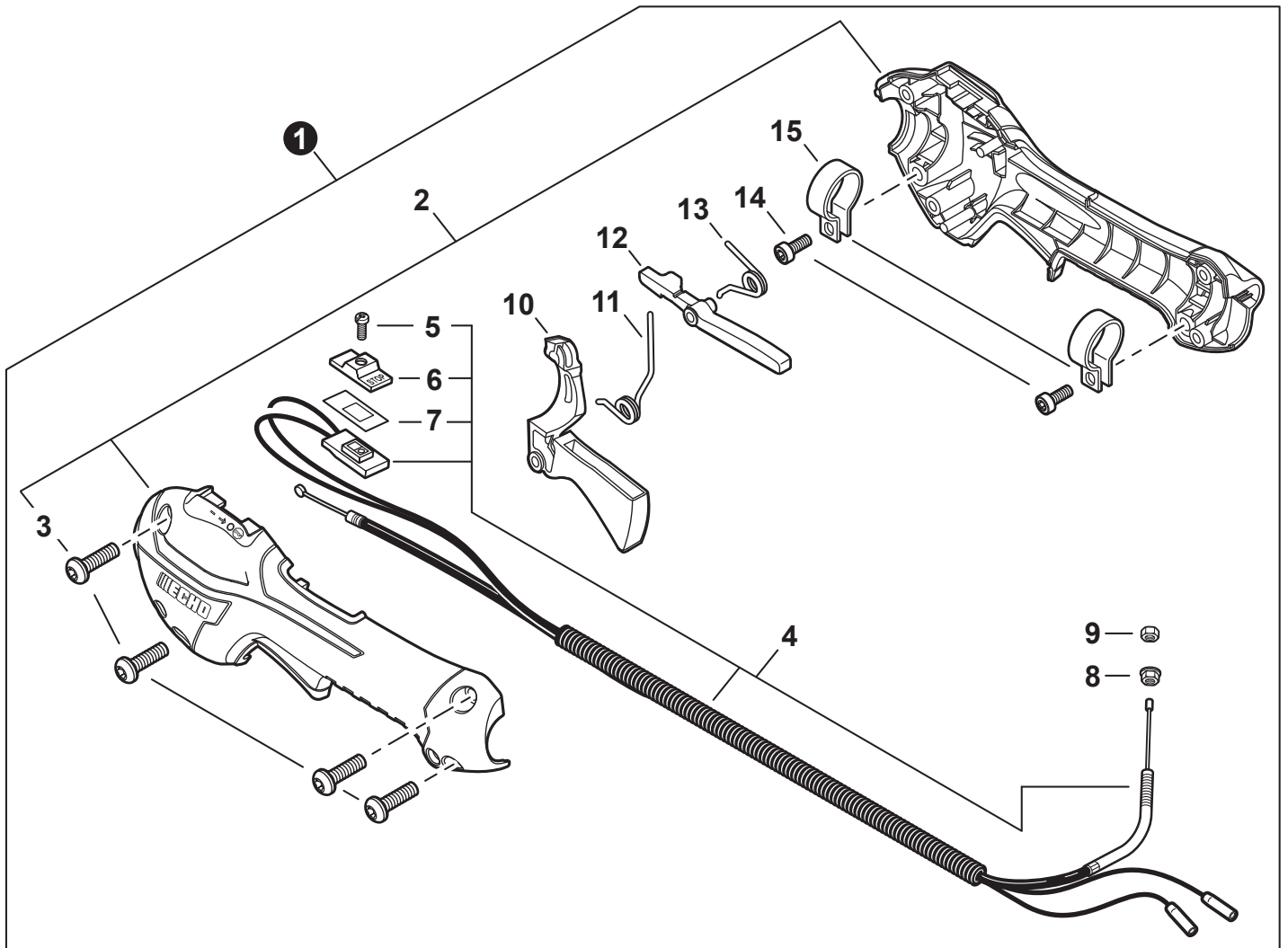
| NO. | PART NUMBER | QTY. | DESCRIPTION | NOM DE LA PIÈCE |
|-----|-------------|------|-------------------------------|---------------------------------------|
| 1 | 90182Y | 1 | FUEL SYSTEM KIT - YOUCAN™ | KIT DE SYSTÈME DE CARBURANT - YOUCAN™ |
| 2 | 13201256030 | 1 | +PIPE, FUEL 3×6×80 CLEAR | +TUYAU DE CARBURANT 3×6×80 CLAIR |
| 3 | V186000500 | 1 | +CONNECTOR, PIPE | +CONNEXION DE TUYAU |
| 4 | A356000031 | 1 | +VENT ASSY | +ÉVENT COMPLET |
| 5 | V490001230 | 1 | +CLIP Ø6.5 MM | +ATTACHE Ø6.5 MM |
| 6 | 13201006530 | 1 | +PIPE, FUEL 3×6×85 BLACK | +TUYAU DE CARBURANT 3×6×85 NOIR |
| 7 | V471005650 | 1 | +PIPE, FUEL 3×5.5×83 BLACK | +TUYAU DE CARBURANT 3×5.5×83 NOIR |
| 8 | 13211555930 | 1 | +GROMMET, FUEL | +OEILLET CARBURANT |
| 9 | 13131435430 | 1 | +FILTER, VENT | +FILTRE RESPIRATOIRE |
| 10 | V471005440 | 1 | +PIPE, FUEL 3×7×10 BLACK | +TUYAU DE CARBURANT 3×7×10 NOIR |
| 11 | V186000520 | 1 | +CONNECTOR, PIPE Ø5×Ø3.5 | +CONNEXION DE TUYAU Ø5×Ø3.5 |
| 12 | V490001240 | 2 | +CLIP Ø6 | +ATTACHE Ø6 |
| 13 | V471003651 | 1 | +PIPE, FUEL - 3×5×125 - BLACK | +TUYAU DE CARBURANT 3×5×125 NOIR |
| 14 | A369000470 | 1 | +FILTER, FUEL | +FILTRE À CARBURANT |
| 15 | V107000210 | 1 | +GASKET, FUEL CAP | +JOINT BOUCHON DE CARBURANT |
| 16 | P021053030 | 1 | CAP ASSY, FUEL | ASSEMBLAGE DU BOUCHON DE CARBURANT |
| 17 | V107000210 | 1 | +GASKET, FUEL CAP | +JOINT BOUCHON DE CARBURANT |
| 18 | A365000060 | 1 | +CONNECTOR, CAP L= 123 | +CONNEXION DU BOUCHON L= 123 |
| 19 | A350002341 | 1 | TANK, FUEL | RÉSERVOIR DE CARBURANT |
| 20 | A175000040 | 1 | GUARD, FUEL TANK | PROTECTEUR, RÉSERVOIR D'ESSENCE |
| 21 | 90060200005 | 2 | WASHER 5.3×10×1 | RONDELLE 5.3×10×1 |
| 22 | V805000170 | 2 | BOLT, TORX 5×25 | BOULON TORX 5×25 |
| 23 | V805000160 | 1 | BOLT, TORX 5×20 | BOULON TORX 5×20 |
| 24 | 90181Y | 1 | TUNE-UP KIT - YOUCAN™ | KIT DE MISE AU POINT - YOUCAN™ |



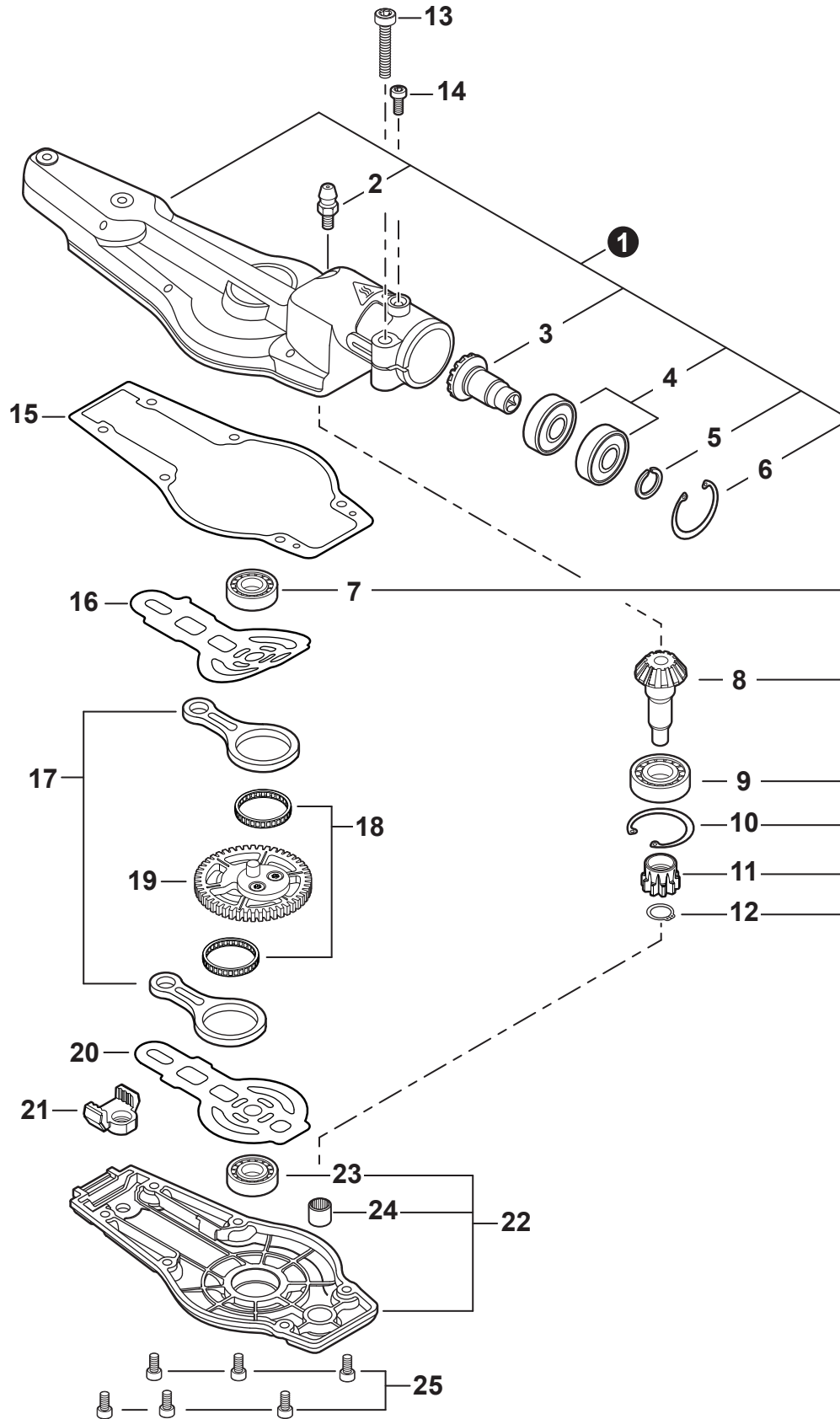
| NO. | PART NUMBER | QTY. | DESCRIPTION | NOM DE LA PIÈCE |
|-----|-------------------|------|---------------------------|--------------------------------------|
| 1 | 90070200042 | 1 | RING, SNAP Ø42 | ANNEAU ÉLASTIQUE Ø42 |
| 2 | V805000170 | 1 | BOLT, TORX 5×25 | BOULON TORX 5×25 |
| 3 | V490001520 | 1 | CLIP, CABLE | SUPPORT DE CÂBLE |
| 4 | A575000110 | 1 | HOLDER, MAIN PIPE | ATTACHE - TUBE DE TRANSMISSION |
| 5 | A413000080 | 1 | PROTECTOR, FAN COVER | PROTECTEUR, COUVRE-VENTILATEUR |
| 6 | V805000160 | 2 | BOLT, TORX 5×20 | BOULON TORX 5×20 |
| 7 | P021052390 | 1 | COVER ASSY, FAN | ASSEMBLAGE COUVRE-VENTILATEUR |
| 8 | 90070100012 | 1 | +RING, SNAP 12 | +ANNEAU ÉLASTIQUE 12 |
| 9 | 9405106001 | 2 | +BEARING, BALL 6001 | +ROULEMENT À BILLES 6001 |
| 10 | 90070200028 | 1 | +RING, SNAP 28 | +ANNEAU ÉLASTIQUE 28 |
| 11 | A556001760 | 1 | +DRUM, CLUTCH | +TAMBOUR D'EMBRAYAGE |
| 12 | 17504656030 | 2 | BOLT, CLUTCH 8×7.9×M6 | BOULON D'EMBRAYAGE 8×7.9×M6 |
| 13 | 17504956030 | 2 | WASHER, SPRING 8.5×16×0.5 | RONDELLE ÉLASTIQUE 8.5×16×0.5 |
| 14 | A553000190 | 2 | SHOE, CLUTCH | SABOT D'EMBRAYAGE |
| 15 | 17504805530 | 2 | WASHER 6.2×19×1.0 | RONDELLE 6.2×19×1.0 |
| 16 | V451001390 | 1 | SPRING, CLUTCH | RESSORT D'EMBRAYAGE |
| 17 | V805000150 | 2 | BOLT, TORX 5×16 | BOULON TORX 5×16 |



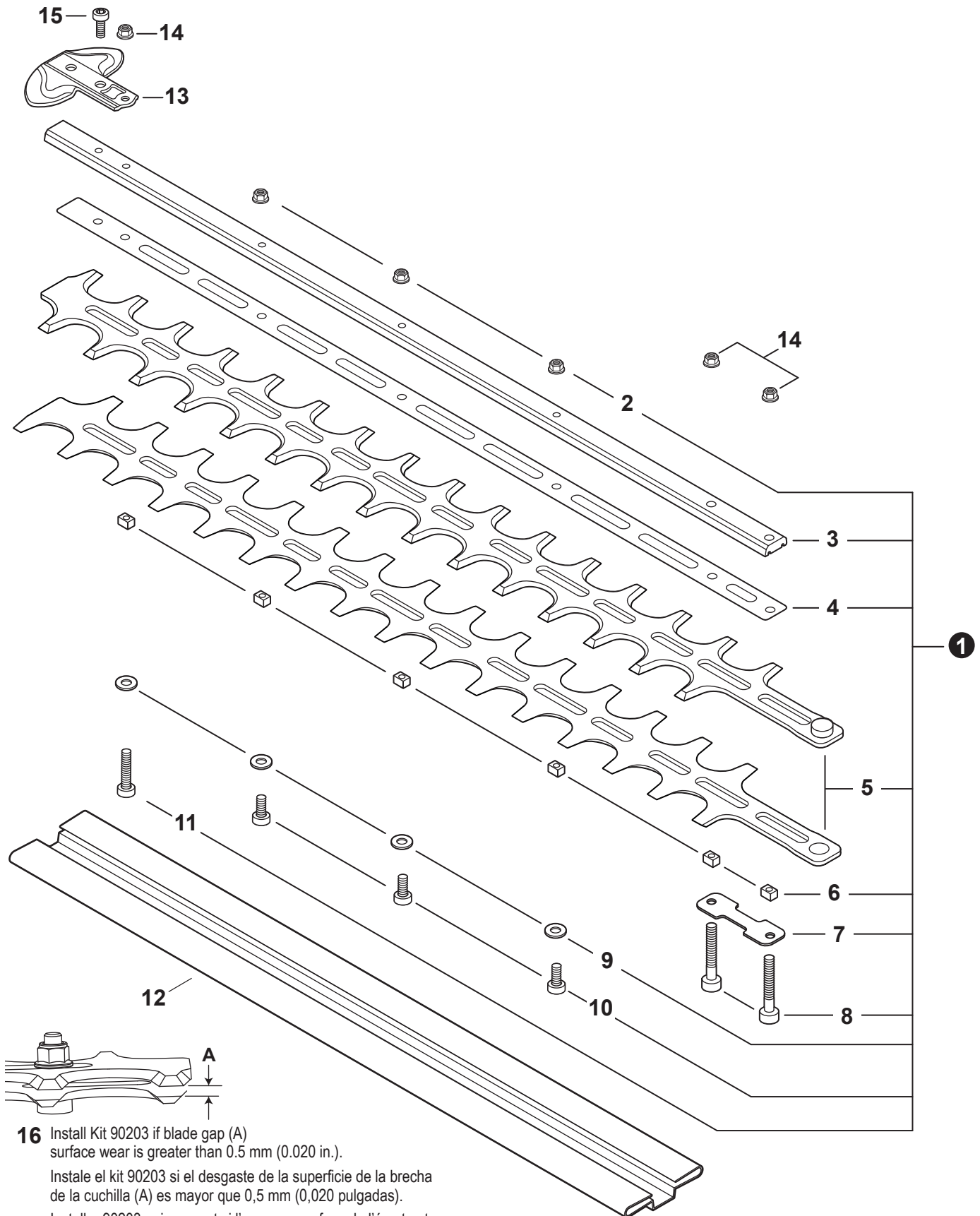
| NO. | PART NUMBER | QTY. | DESCRIPTION | NOM DE LA PIÈCE |
|-----|-------------|------|-------------------------|--------------------------------------|
| 1 | C050003060 | 1 | MAIN PIPE ASSY | TUBE DE TRANSMISSION COMPLET |
| 2 | X505009780 | 1 | +LABEL, CAUTION | +ÉTIQUETTE D'AVERTISSEMENT |
| 3 | C403000470 | 1 | +GRIP, FRONT | +POIGNÉE AVANT |
| 4 | X502000690 | 1 | +LABEL, HANDLE LOCATION | +ÉTIQUETTE - LOCALISATION DE POIGNÉE |
| 5 | C507000220 | 1 | +LINER - FLEXIBLE | +COUSSINET FLEXIBLE |
| 6 | 61024644730 | 2 | +STOPPER | +ARRÊT |
| 7 | C506000490 | 1 | DRIVESHAFT - FLEXIBLE | ARBRE DE TRANSMISSION - FLEXIBLE |



| NO. | PART NUMBER | QTY. | DESCRIPTION | NOM DE LA PIÈCE |
|-----|-------------|------|--------------------------|-----------------------------------|
| 1 | P021052270 | 1 | CONTROL HANDLE ASSY | ASSEMBLAGE DE POIGNÉE DE COMMANDE |
| 2 | P021044371 | 1 | +CONTROL HANDLE KIT | +KIT DE POIGNÉE DE COMMANDE |
| 3 | V805000000 | 4 | ++BOLT, TORX 5×16 | ++BOULON TORX 5×16 |
| 4 | P100002240 | 1 | +CABLE ASSY, CONTROL | +CABLE DE COMMANDE COMPLET |
| 5 | 9154503010 | 1 | ++SCREW 3×10 | ++VIS 3×10 |
| 6 | A444000020 | 1 | ++KNOB, SWITCH - ORANGE | ++BOUTON DU INTERRUPTEUR - ORANGE |
| 7 | V541000600 | 1 | ++SEAL, SWITCH | ++JOINT INTERRUPTEUR |
| 8 | 90051800006 | 1 | +NUT, FLANGE M6 | +ÉCROU À BRIDE M6 |
| 9 | 90050200006 | 1 | +NUT M6 | +ÉCROU M6 |
| 10 | C453000482 | 1 | +TRIGGER, THROTTLE | +GÂCHETTE D'ACCÉLÉRATEUR |
| 11 | V452001520 | 1 | +SPRING, TORSION | +RESSORT DE TORSION |
| 12 | C460000441 | 1 | +LEVER, THROTTLE LOCKOUT | +LEVIER GÂCHETTE DE SÉCURITÉ |
| 13 | V452001510 | 1 | +SPRING, TORSION | +RESSORT DE TORSION |
| 14 | V805000150 | 2 | +BOLT, TORX 5×16 | +BOULON TORX 5×16 |
| 15 | V495003020 | 2 | +CLAMP | +COLLIER |



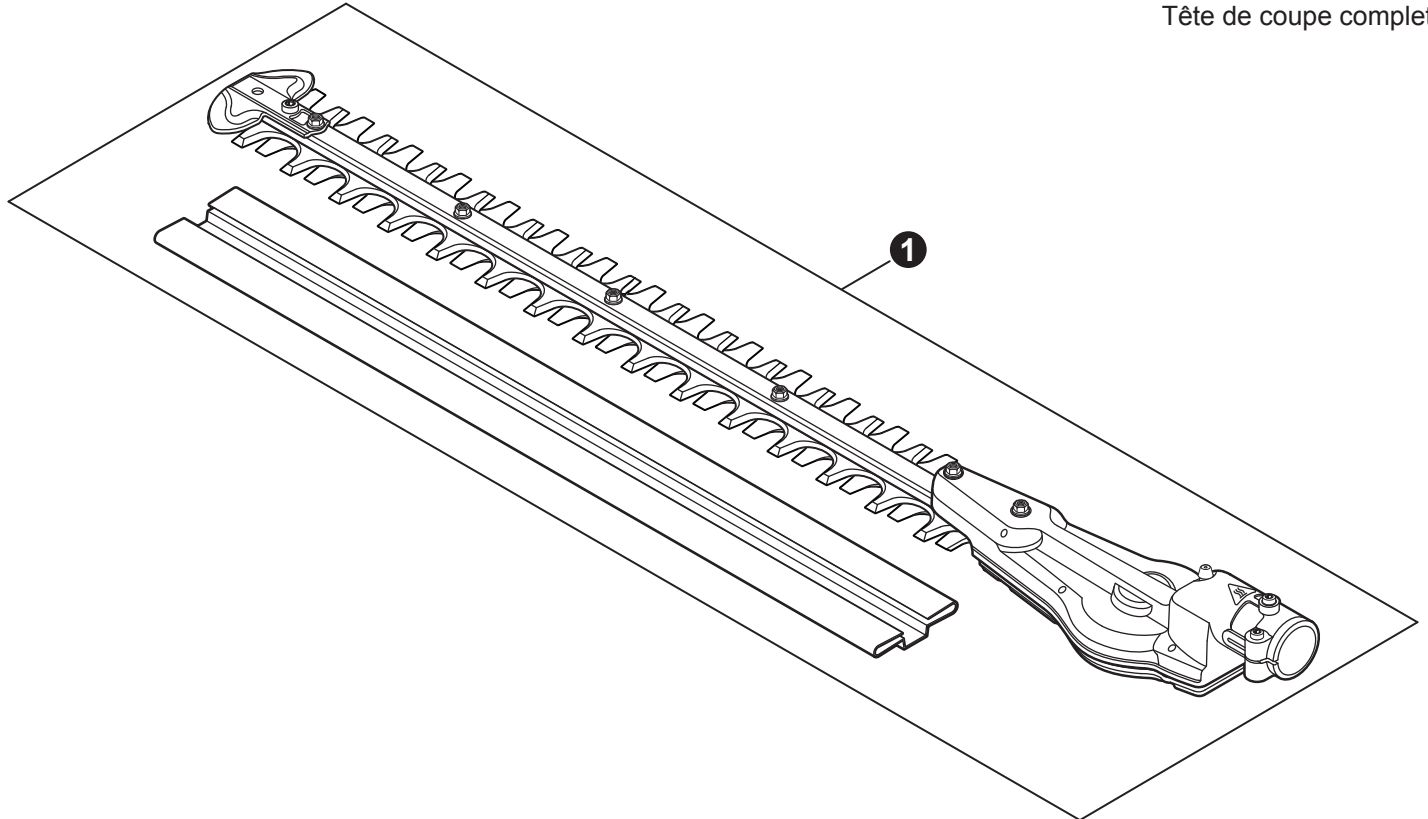
| NO. | PART NUMBER | QTY. | DESCRIPTION | NOM DE LA PIÈCE |
|-----|-------------|------|-----------------------|---------------------------------------|
| 1 | P100002210 | 1 | GEAR CASE ASSY | BOÎTIER D'ENGRENAGE COMPLET |
| 2 | V187000080 | 1 | +FITTING, GREASE | +EMBOUIT DE GRAISSAGE |
| 3 | V651001070 | 1 | +GEAR, BEVEL | +ENGRENAGE CONIQUE |
| 4 | 90085706901 | 2 | +BEARING, BALL 6901 | +ROULEMENT À BILLES 6901 |
| 5 | 90070600012 | 1 | +RING, SNAP Ø12 | +ANNEAU ÉLASTIQUE Ø12 |
| 6 | 90070200024 | 1 | +RING, SNAP 24 | +ANNEAU ÉLASTIQUE 24 |
| 7 | 90080000608 | 1 | +BEARING, BALL 608 | +ROULEMENT À BILLES 608 |
| 8 | V651001080 | 1 | +GEAR, BEVEL | +ENGRENAGE CONIQUE |
| 9 | 90080006001 | 1 | +BEARING, BALL 6001 | +ROULEMENT À BILLES 6001 |
| 10 | 90070200028 | 1 | +RING, SNAP 28 | +ANNEAU ÉLASTIQUE 28 |
| 11 | V650000730 | 1 | +GEAR, SPUR | +ENGRENAGE CYLINDRIQUE |
| 12 | 90070100008 | 1 | +RING, RETAINING 8 | +ANNEAU DE RETENUE 8 |
| 13 | V805000170 | 1 | BOLT, TORX 5x25 | BOULON TORX 5x25 |
| 14 | V805000130 | 1 | BOLT, TORX 5x10 | BOULON TORX 5x10 |
| 15 | V110000200 | 1 | GASKET, GEAR CASE | JOINT DE BOÎTIER D'ENGRENAGE |
| 16 | V150004320 | 1 | PLATE, WEAR | PLAQUE |
| 17 | C532000530 | 2 | ROD, CONNECTING | BIELLE |
| 18 | V572000000 | 2 | BEARING, NEEDLE 30 | ROULEMENT À AIGUILLES 30 |
| 19 | V060000130 | 1 | GEAR, SPUR | ENGRENAGE CYLINDRIQUE |
| 20 | V150004310 | 1 | PLATE, WEAR | PLAQUE |
| 21 | V541000620 | 1 | SEAL | JOINT |
| 22 | P100003631 | 1 | COVER ASSY, GEAR CASE | COUVERCLE BOÎTIER D'ENGRENAGE COMPLET |
| 23 | 90080000608 | 1 | +BEARING, BALL 608 | +ROULEMENT À BILLES 608 |
| 24 | V551000000 | 1 | +BEARING, NEEDLE | +ROULEMENT À AIGUILLES |
| 25 | V804000050 | 6 | BOLT, TORX 4x12 | BOULON TORX 4x12 |



16 Install Kit 90203 if blade gap (A) surface wear is greater than 0.5 mm (0.020 in.).
 Instale el kit 90203 si el desgaste de la superficie de la brecha de la cuchilla (A) es mayor que 0,5 mm (0,020 pulgadas).
 Installer 90203 uniquement si l'usure en surface de l'écart entre les lames (A) est supérieure à 0,5 mm (0,020 po).

| NO. | PART NUMBER | QTY. | DESCRIPTION | NOM DE LA PIÈCE |
|-----|-------------|------|-----------------------|------------------------|
| 1 | X041000610 | 1 | CUTTER ASSY, 20" | LAME COMPLET 50 CM |
| 2 | 9210805000 | 3 | +NUT, FLANGE M5 | +ÉCROU À BRIDE M5 |
| 3 | X425001030 | 1 | +SUPPORT, CUTTER 20" | +SUPPORT DE LAME 50 CM |
| 4 | X425001040 | 1 | +PLATE, CUTTER 20" | +PLAQUE DE LAME 50 CM |
| 5 | X411001360 | 2 | +CUTTER, 20" | +LAME 50 CM |
| 6 | V353000250 | 6 | +GUIDE, BLADE 5 | +GUIDE DE LAME 5 |
| 7 | V150004330 | 1 | +PLATE, EYE | +PLAQUE |
| 8 | V805000180 | 2 | +BOLT, TORX 5×30 | +BOULON TORX 5×30 |
| 9 | V303000290 | 4 | +WASHER | +RONDELLE |
| 10 | V805000160 | 3 | +BOLT, TORX 5×20 | +BOULON TORX 5×20 |
| 11 | V805000170 | 1 | +BOLT, TORX 5×25 | +BOULON TORX 5×25 |
| 12 | X495000710 | 1 | SCABBARD | FOURREAU |
| 13 | E278000311 | 1 | GUARD, TIP | GARDE ANTI REBOND |
| 14 | 9210805000 | 3 | NUT, FLANGE M5 | ÉCROU À BRIDE M5 |
| 15 | V805000120 | 1 | BOLT, TORX 5×8 | BOULON TORX 5×8 |
| 16 | 90203 | 1 | BLADE KIT, ADJUSTABLE | KIT DE LAME AJUSTABLE |

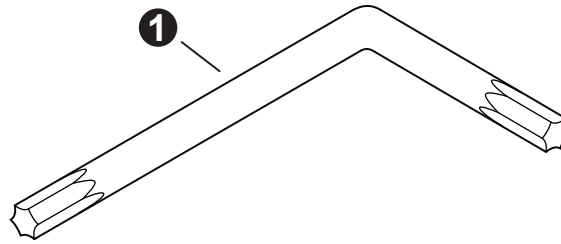
Cutting Head Kit
Tête de coupe complet



| NO. | PART NUMBER | QTY. | DESCRIPTION | NOM DE LA PIÈCE |
|-----|-------------|------|------------------|-----------------------|
| 1 | 9001032 | 1 | CUTTING HEAD KIT | TÊTE DE COUPE COMPLET |



| NO. | PART NUMBER | QTY. | DESCRIPTION | NOM DE LA PIÈCE |
|-----|-------------|------|----------------------------------|---------------------------------------|
| 1 | X532004980 | 1 | LABEL, SPARK PLUG - CMR7H | ÉTIQUETTE BOUGIE CMR7H |
| 2 | X547003030 | 1 | LABEL, RECOIL STARTER - SHC-2620 | ÉTIQUETTE LANCEUR À RAPPEL - SHC-2620 |
| 3 | X503014181 | 1 | LABEL - MODEL SHC-2620 | ÉTIQUETTE MODÈLE SHC-2620 |
| 4 | 89033252730 | 1 | LABEL, CHOKE | ÉTIQUETTE - ÉTRANGLEUR |



| NO. | PART NUMBER | QTY. | DESCRIPTION | NOM DE LA PIÈCE |
|-----|-------------|------|-------------------|-----------------|
| 1 | X605000060 | 1 | WRENCH, T27 80×30 | CLÉ T27 80×30 |

Maintenance Kits
Trousse d'entretien

| NO. | PART NUMBER | QTY. | DESCRIPTION | NOM DE LA PIÈCE |
|-----|-------------|------|-------------------------------------|--|
| 1 | 90181Y | 1 | TUNE-UP KIT - YOUCAN™ | KIT DE MISE AU POINT - YOUCAN™ |
| 2 | A226002040 | 1 | +PRE-FILTER, FOAM | +PRÉ-FILTRE EN MOUSSE |
| 3 | A226002030 | 1 | +FILTER, AIR | +FILTRE D'AIR |
| 4 | A369000470 | 1 | +FILTER, FUEL | +FILTRE À CARBURANT |
| 5 | A425000060 | 1 | +SPARK PLUG - CMR7H | +BOUGIE - CMR7H |
| 6 | 90182Y | 1 | FUEL SYSTEM KIT - YOUCAN™ | KIT DE SYSTÈME DE CARBURANT - YOUCAN™ |
| 7 | 13201256030 | 1 | +PIPE, FUEL 3×6×80 CLEAR | +TUYAU DE CARBURANT 3×6×80 CLAIR |
| 8 | V186000500 | 1 | +CONNECTOR, PIPE | +CONNEXION DE TUYAU |
| 9 | A356000031 | 1 | +VENT ASSY | +ÉVENT COMPLET |
| 10 | V490001230 | 1 | +CLIP Ø6.5 MM | +ATTACHE Ø6.5 MM |
| 11 | 13201006530 | 1 | +PIPE, FUEL 3×6×85 BLACK | +TUYAU DE CARBURANT 3×6×85 NOIR |
| 12 | V471004060 | 1 | +PIPE, FUEL 3×5×83 BLACK | +TUYAU DE CARBURANT 3×5×83 NOIR |
| 13 | 13211555930 | 1 | +GROMMET, FUEL | +OEILLET CARBURANT |
| 14 | 13131435430 | 1 | +FILTER, VENT | +FILTRE RESPIRATOIRE |
| 15 | V471005440 | 1 | +PIPE, FUEL 3×7×10 BLACK | +TUYAU DE CARBURANT 3×7×10 NOIR |
| 16 | V186000520 | 1 | +CONNECTOR, PIPE Ø5×Ø3.5 | +CONNEXION DE TUYAU Ø5×Ø3.5 |
| 17 | V490001240 | 2 | +CLIP Ø6 | +ATTACHE Ø6 |
| 18 | V471003651 | 1 | +PIPE, FUEL - 3×5×125 - BLACK | +TUYAU DE CARBURANT 3×5×125 NOIR |
| 19 | A369000470 | 1 | +FILTER, FUEL | +FILTRE À CARBURANT |
| 20 | V107000210 | 1 | +GASKET, FUEL CAP | +JOINT BOUCHON DE CARBURANT |
| 21 | P021051540 | 1 | GASKET KIT: ENGINE, INTAKE, EXHAUST | KIT DE JOINTS - MOTEUR, ADMISSION, ÉCHAPPEMENT |
| 22 | V100000840 | 1 | +GASKET, CYLINDER | +JOINT CYLINDRE |
| 23 | V102000300 | 1 | +GASKET, CRANKCASE | +JOINT CARTER DE MOTEUR |
| 24 | V103001900 | 1 | +GASKET, INTAKE | +JOINT D'ADMISSION |
| 25 | V103001890 | 1 | +HEAT SHIELD, INTAKE | +BOUCLIER THERMIQUE ADMISSION |
| 26 | V104002310 | 1 | +HEAT SHIELD, EXHAUST | +BOUCLIER THERMIQUE ÉCHAPPEMENT |

Bulk Pipe
Tuyau En Vrac

| NO. | PART NUMBER | QTY. | DESCRIPTION | NOM DE LA PIÈCE |
|-----|-------------|------|---|---|
| 1 | 90014 | 1 | BULK PIPE - 3x5 MM BLACK (4 PIECESx2 M) | TUYAU EN VRAC 3x5 MM NOIR (4 PIÈCESx2 M) |
| 2 | 90015 | 1 | BULK PIPE - 3x6 MM BLACK (4 PIECESx2 M) | TUYAU EN VRAC 3x6 MM NOIR (4 PIÈCESx2 M) |
| 3 | 90016 | 1 | BULK PIPE - 3x7 MM BLACK (4 PIECESx2 M) | TUYAU EN VRAC 3x7 MM NOIR (4 PIÈCESx2 M) |
| 4 | 90017 | 1 | BULK PIPE - 3x6 MM CLEAR (4 PIECESx2 M) | TUYAU EN VRAC 3x6 MM CLAIR (4 PIÈCESx2 M) |
| 5 | 90018 | 1 | BULK PIPE - 2x4 MM CLEAR (4 PIECESx2 M) | TUYAU EN VRAC 2x4 MM CLAIR (4 PIÈCESx2 M) |

Bulk Starter Rope
Corde Du Démarreur En Vrac

| NO. | PART NUMBER | QTY. | DESCRIPTION | NOM DE LA PIÈCE |
|-----|-------------|------|-----------------------------------|--|
| 1 | 99944435000 | 1 | BULK STARTER ROPE - Ø 2.3 MMx61 M | CORDE DU DÉMARREUR EN VRAC Ø 2.3 MMx61 M |
| 2 | 99944440000 | 1 | BULK STARTER ROPE - Ø 3.0 MMx61 M | CORDE DU DÉMARREUR EN VRAC Ø 3.0 MMx61 M |
| 3 | 99944445000 | 1 | BULK STARTER ROPE - Ø 3.5 MMx61 M | CORDE DU DÉMARREUR EN VRAC Ø 3.5 MMx61 M |
| 4 | 99944450000 | 1 | BULK STARTER ROPE - Ø 4.0 MMx61 M | CORDE DU DÉMARREUR EN VRAC Ø 4.0 MMx61 M |
| 5 | 99944455000 | 1 | BULK STARTER ROPE - Ø 4.4 MMx61 M | CORDE DU DÉMARREUR EN VRAC Ø 4.4 MMx61 M |
| 6 | 99944460000 | 1 | BULK STARTER ROPE - Ø 4.8 MMx61 M | CORDE DU DÉMARREUR EN VRAC Ø 4.8 MMx61 M |