

Kawasaki

— ENGINES —

OWNER'S MANUAL MANUAL DEL PROPIETARIO

4-STROKE AIR-COOLED V-TWIN GASOLINE ENGINE
MOTOR DE GASOLINA DE 4 TIEMPOS
BICILÍNDRICO EN V CON REFRIGERACIÓN POR AIRE

FR651V
FR691V
FR730V

P/N 99920-2289-02

ENGLISH

General-purpose Engine Owner's Manual

Original instructions

SAFETY AWARENESS

Whenever you see the symbols shown below, heed their instructions! Always follow safe operating and maintenance practices.

WARNING

This warning symbol identifies special instructions or procedures which, if not correctly followed, could result in personal injury, or loss of life.

CAUTION

This caution symbol identifies special instructions or procedures which, if not strictly observed, could result in damage to, or destruction of equipment.

NOTE

- *This note symbol indicates points of particular interest for more efficient and convenient operation.*

READ THE OPERATING INSTRUCTIONS OF THE EQUIPMENT THIS ENGINE POWERS.

READ THIS FIRST

For your safety, read this Owner's Manual and understand it thoroughly before operating this ENGINE.

WARNING

DO NOT run the engine in a closed area. Exhaust gas contains carbon monoxide, an odorless and deadly poison.

Gasoline is extremely flammable and can be explosive under certain condition.

Stop engine and allow the engine to cool before refueling.

DO NOT smoke. Make sure area is well ventilated and free from any source of flame or sparks including the pilot lamp of any appliance while refueling, servicing fuel system, draining gasoline and/or adjusting carburetor.

DO NOT fill the tank so the fuel level rises into the filler neck or level surface of level gauge. If the tank is overfilled, heat may cause the fuel to expand and overflow through the vents in the tank cap.

Wipe off any spilled gasoline immediately.

To prevent fire hazard:

Keep the engine at least 1 m (3.3 ft) away from buildings, obstructions and other burnable objects.

DO NOT place flammable objects close to the engine.

DO NOT expose combustible materials to the engine exhaust.

DO NOT use the engine on any forest covered, brush covered or grass covered unimproved land unless spark arrester is installed on the muffler.

To avoid getting an electric shock, DO NOT touch spark plugs, plug caps or spark plug leads during engine running.

To avoid a serious burn, DO NOT touch a hot engine or muffler. The engine becomes hot during operation. Before you service or remove parts, stop engine and allow the engine to cool.

DO NOT place hands or feet near moving or rotating parts. Place a protective cover over pulley, V belt or coupling.

DO NOT run engine at excessive speeds. This may result in injury.

Always remove the spark plug caps from spark plugs when servicing the engine to prevent accidental starting.

Read warning labels which are on the engine and understand them. If any label is missing, damaged, or worn get a replacement from your authorized Kawasaki engine dealer or equally qualified service facility and install it in the correct position.

EMISSION CONTROL INFORMATION

Fuel Information

THIS ENGINE IS CERTIFIED TO OPERATE ON UNLEADED REGULAR GRADE GASOLINE ONLY. A minimum of 87 octane of the antiknock index is recommended. The antiknock index is posted on service station pumps in the U.S.A.

Emission Control Information

To protect the environment in which we all live, Kawasaki has incorporated an exhaust emission control system in compliance with applicable regulations of the United States Environmental Protection Agency and the California Air Resources Board. Also, depending on when your engine was produced, it may have an assigned emissions durability period. *See below for the engine emissions durability period that may apply to your engine.

Exhaust Emission Control System

The exhaust emission control system applied to this engine consists of a fuel system and an ignition system having optimum ignition timing characteristics. The fuel system has been calibrated to provide lean air/fuel mixture characteristics and optimum fuel economy with a suitable air cleaner and exhaust system.

A sealed-type crankcase emission control system is also used to eliminate blow-by gasses. The blow-by gasses are led to a breather chamber through the crankcase and from there to the air cleaner.

Engine Emissions Compliance Period

California

Engines Greater Than or Equal To 225 cc

Model Year – 2008 and later

Durability Period – 250 hours

All Other States

Engines Greater Than or Equal To 225 cc

Model Year – 2011 and later

Durability Period – 250 hours (Category C)

If your engine has an assigned emissions durability period it will be located on the certification label attached to the engine (IMPORTANT ENGINE INFORMATION).

High Altitude Performance Adjustment Information

To improve the EMISSIONS CONTROL PERFORMANCE of engines operated above 1000 meters (3300 feet), Kawasaki requires the following Environmental Protection Agency (EPA) and California Air Resources Board (CARB) approved modifications. High altitude adjustment requires replacement of carburetor main jets. Installation of these optional parts may be performed by an authorized Kawasaki dealer, or the consumer, following repair recommendations specified in the appropriate Kawasaki Service document or parts catalog.

Operating with wrong configuration at an altitude may increase its emission and decrease fuel efficiency and performance.

NOTE

- *When properly performed, these specified modifications only are not considered to be emissions system “tampering” and engine performance is generally unchanged as a result.*
- *Engine models with fuel injection do not require high altitude performance adjustment.*

Maintenance and Warranty

Proper maintenance is necessary to ensure that your engine will continue to have low emission levels. This Owner’s Manual contains those maintenance recommendations for your engine. Those items identified by the Periodic Maintenance Chart are necessary to ensure compliance with the applicable standards.

As the owner of the engine, you have the responsibility to make sure that the recommended maintenance is carried out according to the instructions in this Owner’s Manual at your own expense.

The Kawasaki Limited Emission Control System Warranty requires that you return your engine to an authorized Kawasaki engine dealer or equally qualified service facility for remedy under warranty. Please read the warranty carefully, and keep it valid by complying with the owner’s obligations it contains.

Tampering with Emission Control System Prohibited

Federal law and California State law prohibit the following acts or the causing thereof: (1) the removal or rendering inoperative by any person other than for purposes of maintenance, repair, or replacement, of any device or element of design incorporated into any new engine for the purposes of emission control prior to its sale or delivery to the ultimate purchaser or while it is in use, or (2) the use of the engine after such device or element of design has been removed or rendered inoperative by any person.

Among those acts presumed to constitute tampering are the acts listed below:
Do not tamper with the original emission related parts:

- Carburetor or DFI system, and their internal parts
- Spark Plug
- Magneto or electronic ignition system
- Fuel filter element
- Air cleaner elements
- Crankcase
- Cylinder heads
- Breather chamber and internal parts
- Intake pipe and tube
- Muffler or any internal portion of the muffler

FOREWORD

This Owner's Manual provided to aid you in the safe and reliable operation of your Engine. **READ AND UNDERSTAND IT THOROUGHLY BEFORE OPERATING YOUR ENGINE.**

READ THE OPERATING INSTRUCTIONS OF THE EQUIPMENT THIS ENGINE POWERS.

To ensure a long, trouble-free life for your Engine, give it proper care and maintenance in accordance with this Owner's Manual.

Please note that the photographs and illustrations shown in this manual are made based on Model FR730V as a typical example among other similar models.

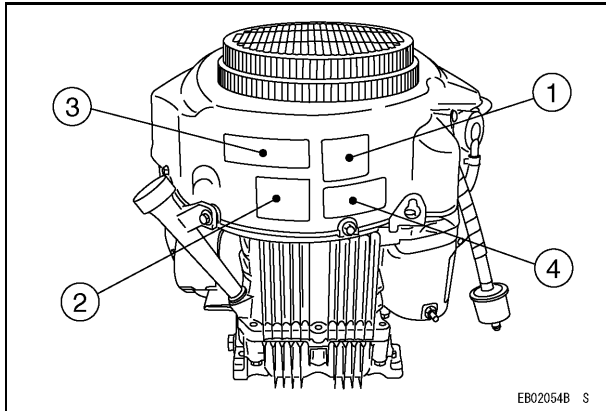
All rights reserved. No part of this publication may be reproduced, stored in a retrieval system, or transmitted in any form or by any means, electronic mechanical photocopying, recording or otherwise, without the prior written permission of Kawasaki Heavy Industries, Ltd., Motorcycle & Engine Company. Although every possible care has been taken to make this manual as complete and accurate as possible, Kawasaki cannot guarantee against errors and omissions. Due to improvements in design and performance during production, procedures and specifications are subject to change without prior notice. Illustrations are provided for general reference purposes, and may differ from actual product aspects and components.

TABLE OF CONTENTS

GENERAL INFORMATION	10	Throttle Cable Installation, Adjustment.....	21
Label Location	10	Choke Cable Installation, Adjustment	21
Parts Location	11	Engine Speed Adjustment.....	22
Tune-up Specifications	12	MAINTENANCE	23
Engine Oil Capacity.....	12	Periodic Maintenance Chart	23
FUEL AND OIL RECOMMENDATIONS	13	Oil Level Check	25
Fuel	13	Oil Change	26
Engine Oil	14	Oil Filter Change	27
PREPARATION	15	Air Cleaner Service	28
Fuel	15	Paper Element	28
Engine Oil	15	Spark Plug Service.....	29
STARTING	17	Fuel Filter and Fuel Pump Service	30
Starting the Engine.....	17	Cooling System Cleaning	31
OPERATING	19	STORAGE	32
Warming Up.....	19	Fuel System Draining	32
Engine Inclination	19	TROUBLESHOOTING GUIDE	34
STOPPING	20	ENVIRONMENTAL PROTECTION	36
Stopping the Engine	20	SPECIFICATIONS	37
Emergency Stop.....	20	WIRING DIAGRAM	38
ADJUSTMENT	21	Wiring Diagram.....	38

GENERAL INFORMATION

Label Location



EB02054B S

1. Warning Label
2. Important Engine Information Label
3. Engine Maintenance Label
4. Engine Serial Number Label

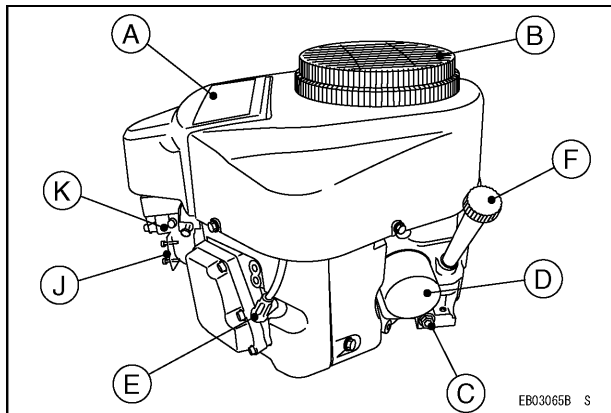
The engine serial number is your only means of identifying your particular engine from others of the same model type.

This engine serial number is needed by your dealer when ordering parts.

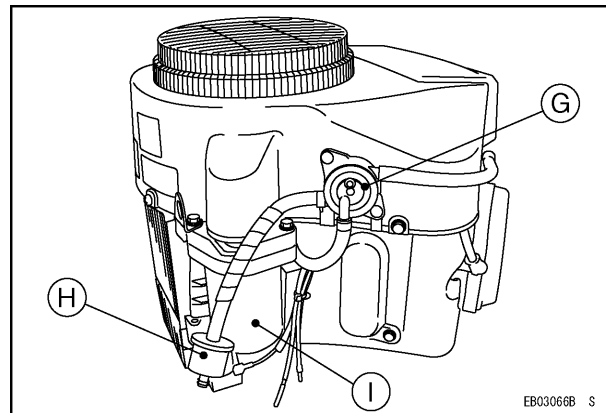


FD790D02 S

Parts Location



- A. Air Cleaner**
- B. Air Inlet Guard**
- C. Oil Drain Plug**
- D. Oil Filter**
- E. Spark Plugs/Spark Plug Caps**
- F. Oil Gauge**
- J. Control Panel**
- K. Carburetor**



- G. Fuel Pump**
- H. Fuel Filter**
- I. Electric Starter**

12 GENERAL INFORMATION

Tune-up Specifications

ITEM	Specifications
Ignition Timing	Unadjustable
Spark Plugs: Gap	NGK BPR4ES 0.75 mm (0.030 in)
Low Idle Speed	1 550 r/min (rpm)
High Idle Speed	3 600 r/min (rpm)
Valve Clearance	In 0.10 ~ 0.15 mm (0.004 ~ 0.006 in) Ex 0.10 ~ 0.15 mm (0.004 ~ 0.006 in)
Other Specifications	No other adjustment needed

NOTE

○ *High and low idle speeds may vary depending on the equipment on which the engine is used. Refer to the equipment specification.*

Engine Oil Capacity

Engine Oil Capacity

FR651V	1.8 L (1.9 US-qt)
FR691V	[when oil filter is not removed]
FR730V	2.1 L (2.2 US-qt)
	[when oil filter is removed]

FUEL AND OIL RECOMMENDATIONS

Fuel

Use only clean, fresh, unleaded regular grade gasoline.

CAUTION
Do not mix oil with gasoline.

Octane Rating

The octane rating of a gasoline is a measure of its resistance to “knocking”. Using a minimum of 87 octane by the antiknock index is recommended. The antiknock index is posted on service station pumps in the U.S.A.

Antiknock Index: (RON + MON)/2

RON = Research Octane Number

MON = Motor Octane Number

NOTE

○ If “knocking or pinging” occurs, use a different brand of gasoline or higher octane rating.

Oxygenated Fuel

Oxygenates (either ethanol or MTBE) are added to the gasoline. If you use the oxygenated fuel be sure it is unleaded and meets the minimum octane rating requirement.

The following are the EPA approved percentages of fuel oxygenates.

ETHANOL: (Ethyl or Grain Alcohol)

You may use gasoline containing up to 10% ethanol by volume.

MTBE: (Methyl Tertiary Butyl Ether)

You may use gasoline containing up to 15% MTBE by volume.

METHANOL: (Methyl or Wood Alcohol) 5% by volume

You may use gasoline containing up to 5% methanol by volume, as long as it also contains cosolvents and corrosion inhibitors to protect the fuel system. Gasoline containing more than 5% methanol by volume may cause starting and/or performance problems. It may also damage metal, rubber, and plastic parts of your fuel system.

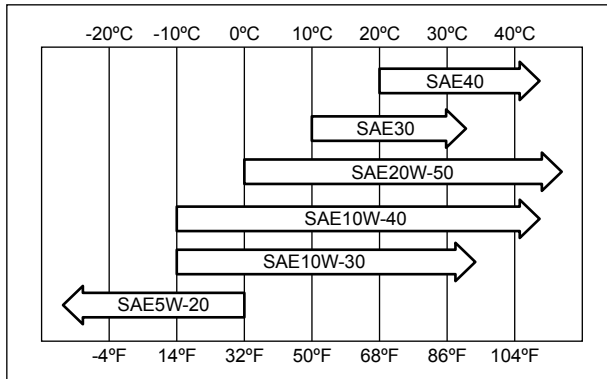
14 FUEL AND OIL RECOMMENDATIONS

Engine Oil

The following engine oils are recommended.
API Service Classification : SF, SG, SH, SJ or SL.

Oil Viscosity

Choose the viscosity according to the temperature as follows:



NOTE

- Although 10W-40 engine oil is the recommended oil for most conditions, the oil viscosity may need to be changed to accommodate atmospheric conditions. Using 20W-50 oil in higher ambient temperatures may reduce oil consumption.

PREPARATION

Fuel

WARNING

Gasoline is extremely flammable and can be explosive under certain conditions.

Before refueling, turn the engine switch to “OFF” position. Do not smoke. Make sure the area is well ventilated and free from any source of flame or sparks, including any appliances with a pilot lamp.

Never fill tank so that fuel level rises into the filler neck. If tank is overfilled, heat may cause fuel to expand and overflow through vents in tank cap.

After refueling make sure tank cap is securely closed.

If gasoline is spilled, wipe it up immediately.

Engine Oil

Check the engine oil daily before starting the engine otherwise shortage of the engine oil may cause serious damage to the engine such as seizure.

- Place the engine on level surface. Clean area around the oil gauge before removing it.
- Remove the oil gauge (A) and wipe it with a clean cloth.
- Pour the oil slowly to “FULL” mark on the oil gauge.
- Insert the oil gauge into tube (B) **WITHOUT SCREWING IT IN.**
- Remove the oil gauge (A) to check the oil level. The level should be between “ADD” and “FULL” marks. Do not overfill.
- Install and tighten the oil gauge (A).

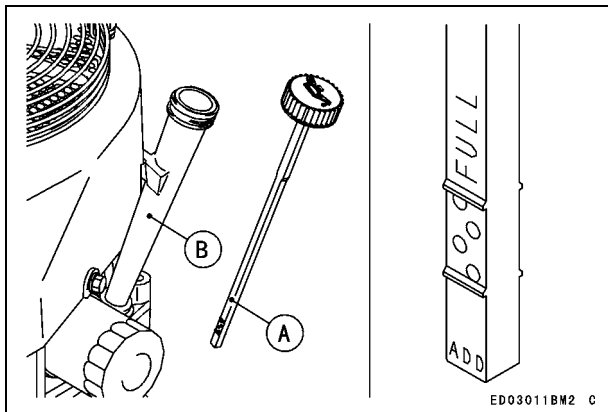
CAUTION

Do not fill above the “FULL” mark. Excess oil will cause a smoking condition, and may cause the engine to overheat.

Engine Oil Capacity

FR651V FR691V FR730V	1.8 L (1.9 US-qt) [when oil filter is not removed]
	2.1 L (2.2 US-qt) [when oil filter is removed]

16 PREPARATION



- A. Oil Gauge
- B. Tube

CAUTION

The engine is shipped without engine oil.

STARTING

Starting the Engine

WARNING

Exhaust gases contain carbon monoxide, a colorless, odorless, poisonous gas. Do not operate the unit in enclosed areas. Provide adequate ventilation at all times.

WARNING

Engine exhaust may ignite combustible materials and cause a fire. Keep the area around the exhaust outlet clear. Locate the unit so that the exhaust outlet points toward an open area and is located at least one meter (3.3 feet) from any obstructions.

NOTE

- *Be aware of the following in order to start the engine easily in cold weather.*
- Use proper oil for expected temperature (See “FUEL AND OIL RECOMMENDATIONS” chapter).
Use fresh gasoline.
Protect the engine or the equipment from direct exposure to weather when not in operation.

NOTE

- *Follow the operating instructions of the equipment this engine powers.*
- Before starting the engine, disconnect all possible external loads.
Open the fuel valve (A) on the equipment. Move throttle lever on dash to half throttle position. Use full choke when the engine is cold, but in hot weather or when the engine is already warm, use half choke or leave the choke fully open. Put the switch key into the engine switch. Turn the switch key to the START position on the equipment. Usually engine will start within 3 seconds.

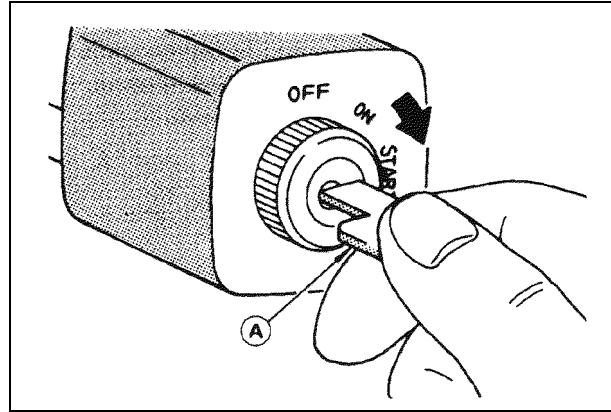
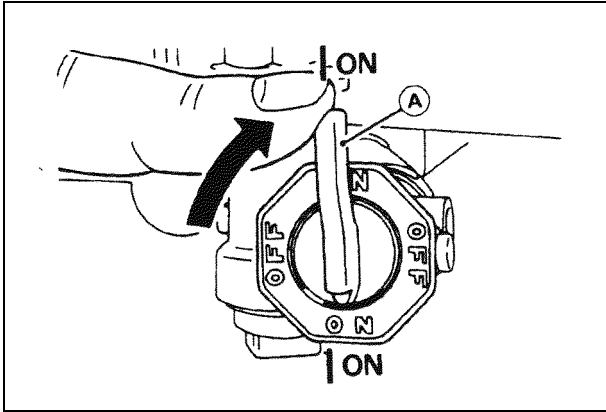
CAUTION

Do not run the electric starter continuously for more than 5 seconds, otherwise the battery may discharge quickly. If the engine does not start right away, wait 15 seconds and try again.

NOTE

- *When the engine is very warm, or when the engine does not start immediately, DO NOT keep trying to start it with the choke closed as this will cause flooding and make starting more difficult.*
- *Instead, fully open the choke and start the engine.*

18 STARTING



CAUTION

Whenever you start engine, make sure warning lamp is not illuminated after engine starts. If warning lamp comes on, stop engine immediately and check oil level (if equipped).

- After starting the engine, gradually return the choke lever to the fully open position.

OPERATING

Warming Up

After the engine starts, move the throttle lever (A) on the equipment to halfway between “FAST” and “SLOW”.

To warm up the engine, run it for 3 to 5 minutes with the throttle lever in the same load position (halfway) before putting the equipment under load. Then, move the throttle lever (A) on the equipment to its “FAST” position.

CAUTION
Allow engine to warm up sufficiently (3 to 5 minutes at idle) before applying a load. This will allow oil to reach all engine parts, and allow piston clearance to reach design specifications.

CAUTION
While warming up the engine, make sure the warning lamp (oil pressure) on dash is not on. The warning lamp must not be illuminated during engine operation (if equipped).

Engine Inclination

This engine will operate continuously at angles up to 25° in any direction.

Refer to the operating instructions of the equipment this engine powers. Because of equipment design or application, there may be more stringent restrictions regarding the angle of operation.

CAUTION
Do not operate this engine continuously at angles exceeding 25° in any direction. Engine damage could result from insufficient lubrication.

STOPPING

Stopping the Engine

WARNING

Always remove Engine Key from switch when leaving equipment unattended or when equipment is not in use.

Ordinary Stop

- Move the throttle lever (A) to “slow” position.
- Lower the engine speed to the idle speed. Keep running at the idle speed for about one minute.

CAUTION

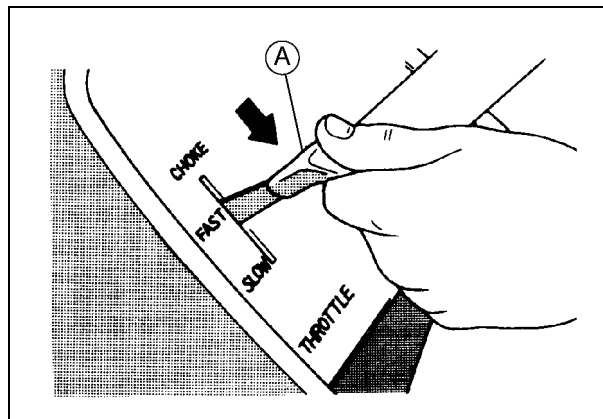
Engine damage can occur from run-on or after-burning if engine is stopped suddenly from high speed loaded operation. Reduce engine speed to idle for one minute before shutting engine off.

- Turn the engine switch or the switch key to “OFF” position.

For Control Panel Switch Type, move the throttle lever against its low speed end to turn the ignition off.

Emergency Stop

- Immediately turn the engine switch or the switch key to “OFF” position.
Close the fuel valve on the equipment.
For Control Panel Switch Type, move the throttle lever on the equipment to its low speed end. Moving the lever to its low speed end turns ignition off.



ADJUSTMENT

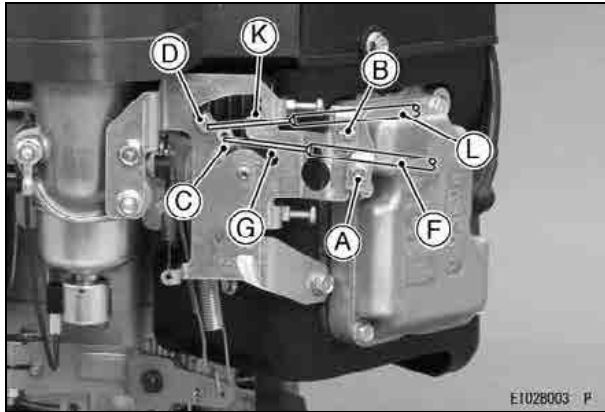
Throttle Cable Installation, Adjustment

- Link the throttle cable (G) to the speed control lever (C) and loosely clamp the throttle cable outer housing (F) with the cable clamp bolt (A). Move the throttle lever to “FAST” position. Pull up the outer housing (F) of the throttle cable until the inner wire (G) has almost no slack, and tighten the cable clamp bolt (A). Move the throttle lever to “SLOW” position. Make sure that the carburetor throttle valve (H) is moved smoothly.

Choke Cable Installation, Adjustment

- Link the choke cable (K) to the choke control lever (D), and loosely clamp the choke cable outer housing (L) with the cable clamp bolt (B). Move the equipment choke control to “OPEN” position. Make sure that the carburetor choke valve (I) is fully opened. Pull up the outer housing (L) of the choke cable until the inner wire (K) has almost no slack, and tighten the cable clamp bolt (B). Move the equipment choke control to “CHOKE” position. Make sure that the carburetor choke valve (I) is completely closed. Make sure that the choke valve turns from fully closed position to fully opened position when actuating the equipment choke control.

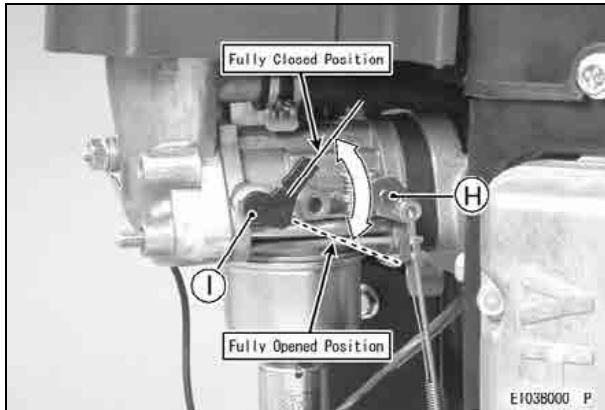
22 ADJUSTMENT



Engine Speed Adjustment

NOTE

- Do not tamper with the governor setting or the carburetor setting to increase the engine speed. Every carburetor is adjusted at the factory and a cap or stop plate is installed on each mixture screw.
- If any adjustment is necessary, it must be performed by your authorized Kawasaki engine dealer or equally qualified service facility.



MAINTENANCE

Maintenance, replacement, or repair of the emission control devices and systems may be performed by any nonroad engine repair establishment or individual.

Periodic Maintenance Chart

WARNING

Always remove the spark plug caps from spark plugs when servicing the engine to prevent accidental starting.

NOTE

○ *The service intervals can be used as a guide. Service more frequently as necessary by operating conditions.*

◆ : Service more frequently under dusty conditions.

◇ : Service to be performed by an authorized Kawasaki engine dealer or equally qualified service facility.

MAINTENANCE	INTERVAL					
	Daily	Every 100 hr.	Every 200 hr.	Every 250 hr.	Every 300 hr.	Every 500 hr.
Check and add engine oil.	●					
Check for loose or lost nuts and screws.	●					
Check for fuel and oil leakage.	●					
Check battery electrolyte level.	●					
◆ Check or clean air inlet screen.	●					

24 MAINTENANCE

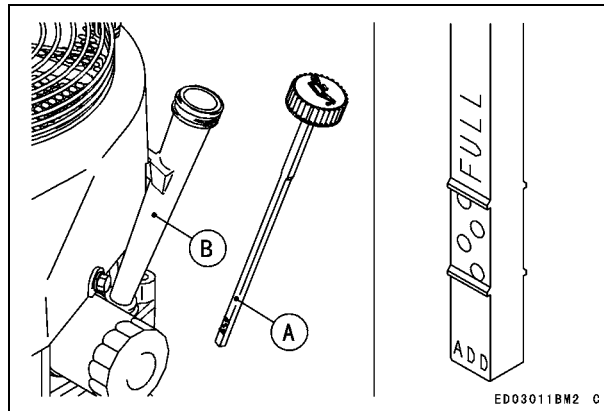
MAINTENANCE	INTERVAL					
	Daily	Every 100 hr.	Every 200 hr.	Every 250 hr.	Every 300 hr.	Every 500 hr.
◆ Clean air cleaner paper element.		●				
◆ Clean dust and dirt from cylinder ◇ and cylinder head fins.		●				
Tighten nuts and screws.		●				
Change engine oil.	Every 100 hours or 1 year whichever comes first					
Clean and regap spark plugs.		●				
Change oil filter.			●			
◆ Replace air cleaner paper element.			●			
◇ Clean combustion chamber.					●	
◇ Check and adjust valve clearance.					●	
◇ Clean and lap valve seating surface.					●	

Oil Level Check

Check oil level daily and before each time of operation. Be sure oil level is maintained. See “PREPARATION” chapter.

Engine Oil Capacity

FR651V FR691V FR730V	1.8 L (1.9 US-qt) [when oil filter is not removed]
	2.1 L (2.2 US-qt) [when oil filter is removed]



ED03011BM2 C

26 MAINTENANCE

Oil Change

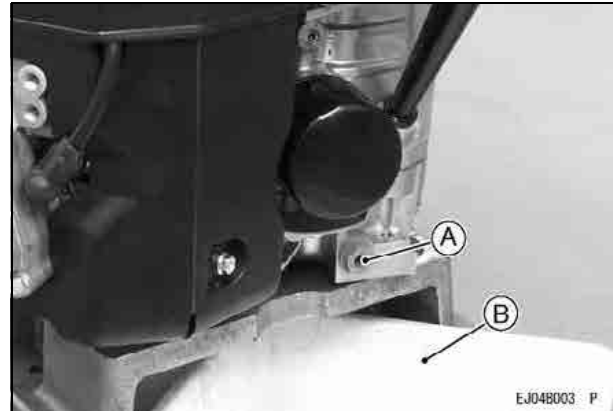
Change oil every 100 hours or 1 year whichever comes first.

- Run the engine to warm oil.
Be sure the engine (equipment) is level.
Stop the engine.
Remove the oil drain plugs (A) and drain the oil into suitable container while engine is warm.

⚠ WARNING

Hot engine oil can cause severe burns. Allow engine temperature to drop from hot to warm level before draining and handling oil.

- Install the oil drain plugs.
Remove oil gauge and refill with fresh oil (See “FUEL AND OIL RECOMMENDATIONS” chapter).
Check the oil level (See “PREPARATION” chapter for oil level check).



- A. Oil Drain Plug
- B. Suitable Container

⚠ WARNING

Engine oil is a toxic substance. Dispose of used oil properly. Contact your local authorities for approved disposal methods or possible recycling.

Oil Filter Change

- Change the oil filter every 200 hours of operation.

⚠ WARNING

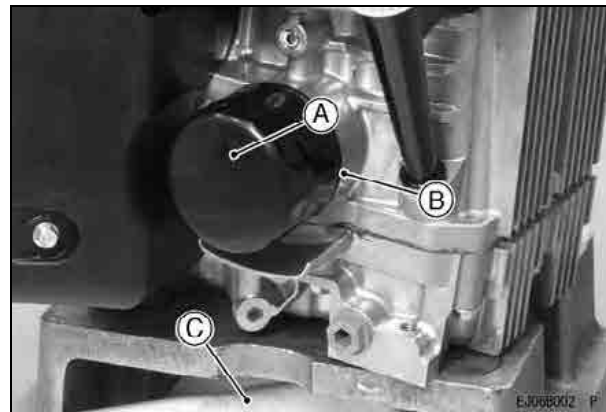
Hot engine oil can cause severe burns. Allow engine temperature to drop from hot to warm level before attempting to remove oil filter.

- Drain engine oil into a suitable container (C).

CAUTION

Before removing the oil filter, place suitable pan under filter connection.

- Rotate the oil filter (A) counterclockwise to remove it.
Coat a film of clean engine oil on seal of new filter. Install new filter rotating it clockwise until seal contacts mounting surface (B). Then rotate filter 3/4 turn more by hand.
Supply engine oil as specified.
Run the engine for about 3 minutes, stop engine, and check oil leakage around the filter.
Add oil to compensate for oil level drop due to oil filter capacity (See “PREPARATION” chapter for oil level check).



- A. Oil Filter
- B. Mounting Surface
- C. Suitable Container

⚠ WARNING

Engine oil is a toxic substance. Dispose of used oil properly. Contact your local authorities for approved disposal methods or possible recycling.

28 MAINTENANCE

Air Cleaner Service

CAUTION

To prevent excessive engine wear, do not run the engine with the air cleaner removed.



Paper Element

Clean the paper element (A) every 100 hours.

- Clean the paper element by tapping gently to remove dust. If very dirty, replace the paper element with a new one.

Replace with a new paper element yearly or 200 hours. Whichever comes first.

NOTE

- *Operating in dusty condition may require more frequent maintenance than above.*

CAUTION

Do not wash paper element.
Do not oil paper element.
Do not use pressurized air to clean paper element.

Spark Plug Service

WARNING

**Hot engine components can cause severe burns.
Stop engine and allow it to cool before checking spark plugs.**

Clean or replace the spark plugs and reset spark plug gap (A) every 100 hours of operation.

- Disconnect the spark plug caps from the spark plugs and remove the spark plugs.

Clean the electrodes (B) by scraping with a wire brush to remove carbon deposits.

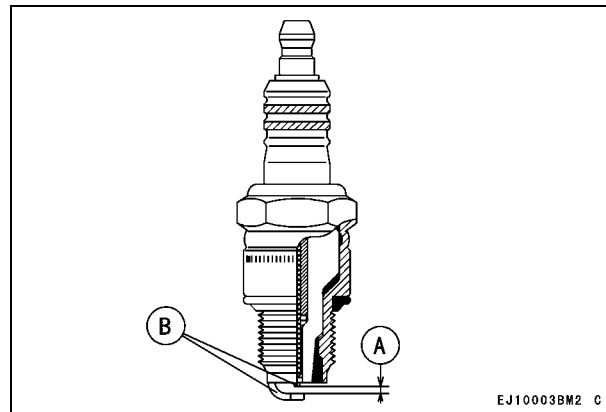
Inspect for cracked porcelain or other wear and damage. Replace the spark plug with a new one if necessary.

Check the spark plug gap and reset if necessary. The gap must be 0.75 mm (0.030 in). To change the gap, bend only the side-electrode, using a spark plug tool.

Install and tighten the spark plugs to 22 N·m (2.2 kgf·m, 16 ft·lb). Connect the spark plug caps.

RECOMMENDED SPARK PLUG

NGKBPR4ES



A. Spark Plug Gap
B. Electrodes

Fuel Filter and Fuel Pump Service

 **WARNING**

Improper use of solvents can result in fire or an explosion.

Do not use gasoline or low flash-point solvents to clean the fuel filter and/or the fuel pump.

Clean only in a well ventilated area away from sources of sparks or flame, including any appliances with a pilot lamp.

- The fuel filter can not be disassembled. If the fuel filter gets clogged, replace it with a new one. The fuel pump can not be disassembled. If the fuel pump fails, replace it with a new one.

Cooling System Cleaning

Before each use, check that the air inlet (rotary) screen (inside A) is free from grass and debris and clean if necessary. Every 100 hours of operation, check and clean the cooling fins and inside of engine shrouds to remove grass, chaff or dirt clogging the cooling system and causing overheating. When cleaning, remove the air cleaner (inside E) loosen the bolts (C), (D), and then, remove the fan housing (B).

CAUTION

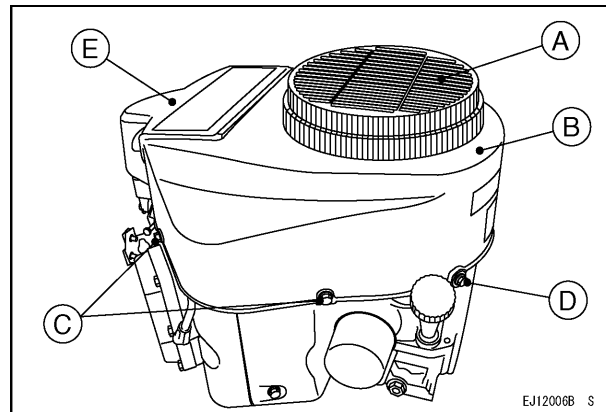
Do not run engine before all cooling system parts are reinstalled to keep cooling and carburetion as intended.

CAUTION

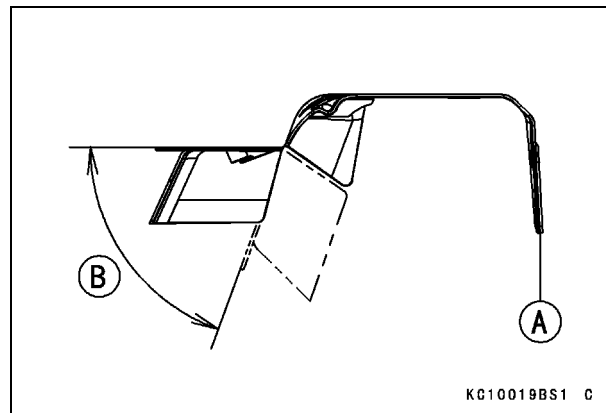
Bend the engine shroud (regulator side) [A] only within the shown range [B] (70°).

[Bolts Size, Tightening Torque]

Bolts	Size	Length	Tightening Torque
C	M6	16 mm	8.8 N·m (0.9 kgf·m, 78 in·lb)
D	M6	22 mm	8.8 N·m (0.9 kgf·m, 78 in·lb)



EJ12006B S



KG10019BS1 C

[B] = 70°

STORAGE

Fuel System Draining

When not operating your Kawasaki engine more than 30 days, add fuel stabilizer to fuel tank and run engine for 5 minutes then drain the fuel tank.

After drain the fuel tank, run the engine at low idle until engine stalled.

WARNING

Gasoline is extremely flammable and can be explosive under certain conditions.

Drain fuel before storing the equipment for extended periods.

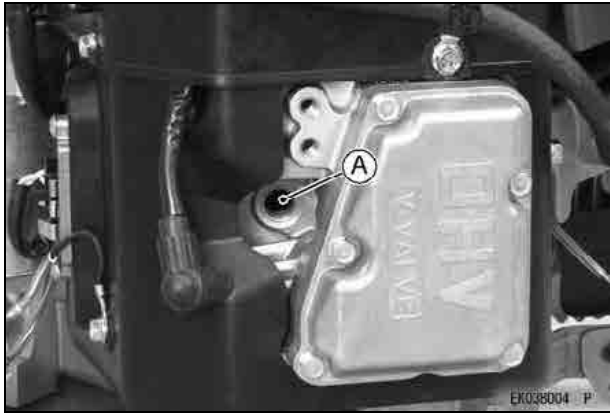
Drain fuel in a well-ventilated area away from any source of flame or sparks, including any appliances with a pilot lamp. Store fuel in an approved container in safe location.

- Clean every part of the engine.
Be sure that the engine switch or switch key is positioned at “OFF”.
Close the fuel valve and remove the sediment bowl.
Put a pan under the fuel valve to receive the drained fuel, and open the fuel valve to drain the fuel from fuel tank completely.

- Install the sediment bowl and open the fuel valve.
- To remove the fuel from the carburetor, run the engine to use up the fuel in the carburetor.
- Remove the spark plugs and pour approx. 1 ~ 2 mL (0.06 ~ 0.1 cu. in.) of engine oil through the spark plug holes (A) and then screw the spark plugs in after turning the engine a few times. Slowly turn the engine until you feel compression and then leave it there. This blocks the air inside the cylinder and prevents rust inside the engine. Wipe the body with oily cloth.
Wrap the engine with plastic sheeting and store it in a dry place.
Change engine oil for next use after period of storage (refer to “Oil Change” section in “MAINTENANCE” chapter).

WARNING

Gasoline is a toxic substance. Dispose of gasoline properly. Contact your local authorities for approved disposal methods.



A. Spark Plug Hole

TROUBLESHOOTING GUIDE

If the engine malfunctions, carefully examine the symptoms and the operating conditions, and use the table below as a guide to troubleshooting.

Symptom		Probably Cause	Remedy
Engine won't start or output is low	Insufficient compression	Faulty pistons, cylinders, piston rings, and head gaskets	◇
		Faulty valves	
		Loose spark plugs	Tighten properly
		Loose cylinder head bolts	
	No fuel to combustion chamber	No fuel in fuel tank	Fill fuel tank
		Fuel valve not in "ON" position	Open fuel valve lever.
		Blocked fuel filter or tube	Change fuel filter or fuel tube
		Blocked air vent in tank cap	Clean fuel tank cap
		Faulty carburetor	◇
	Spark plugs fouled by fuel	Over rich fuel/air mixture	Open choke. Rotate engine with spark plugs removed to discharge excess fuel. Clean spark plugs.
		Clogged air cleaner	Clean
		Faulty carburetor	◇
		Incorrect grade/type of fuel	Change fuel
		Water in fuel	

Symptom		Probably Cause	Remedy
	No spark or weak spark	Faulty spark plugs	Replace spark plugs
		Faulty ignition coil	◇
		Engine switch left in "OFF" position	Turn engine switch to "START" position (See M)
Low output	Engine overheats	Clogged air cleaner	Clean
		Air inlet screen or cooling air path clogged with dirt	
		Insufficient engine oil	Replenish or change oil
		Carbon build-up in combustion chamber	◇
		Poor ventilation around engine	Select a better location
	Engine speed won't increase	Faulty governor	◇

- ◇: Service to be performed by an authorized Kawasaki engine dealer or equally qualified service facility.
- M:** For Control Panel Switch Type, move the throttle lever on the equipment away from its low speed end to turn the engine switch to "START" position.

ENVIRONMENTAL PROTECTION

To protect our environment, properly discard used batteries, engine oil, gasoline, coolant, or other components that you might dispose of in the future.

Consult your authorized Kawasaki engine dealer or equally qualified service facility or local environmental waste agency for their proper disposal procedure.

SPECIFICATIONS

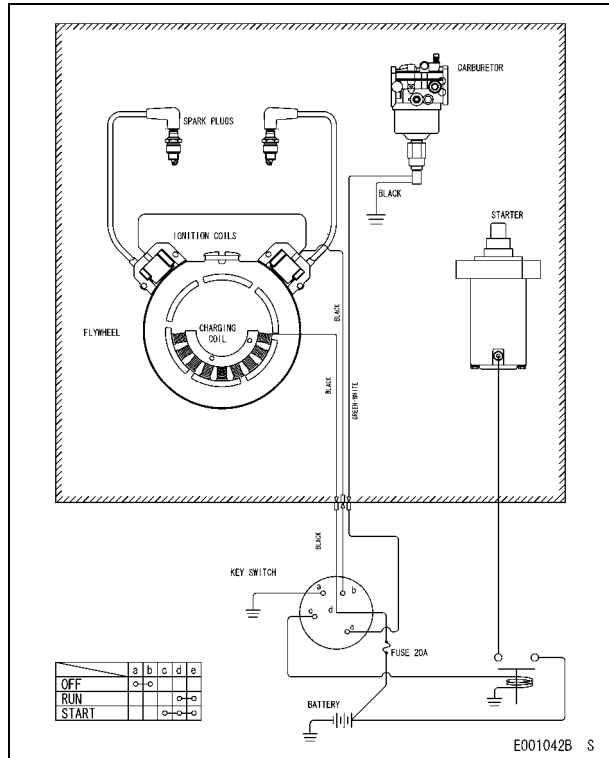
	FR651V, FR691V, FR730V
Type	Air-cooled, 4-stroke OHV, V-twin cylinder, gasoline engine
Bore × Stroke	78 × 76 mm (3.07 × 2.99 in.)
Displacement	726 mL (44.3 cu.in)
Ignition System	Solid-state ignition
Direction of Rotation	Counterclockwise facing the PTO Shaft
Starting System	Electric starter

NOTE

- *Specifications are subject to change without notice.*

WIRING DIAGRAM

Wiring Diagram



NOTE

○ Portion Surrounded by hatching Shows Kawasaki Procurement Parts.

WARNING

For electrical safety, always remove cable from negative (-) side of battery before attempting any repair or maintenance.

Battery Capacity Recommended

Battery Capacity

12 V 550 CCA Class

ESPAÑOL

Motor de propósito general Manual del propietario

Instrucciones originales

PRECAUCIONES DE SEGURIDAD

Siempre que vea los símbolos que se muestran a continuación, preste atención a las instrucciones. Siga siempre prácticas seguras de funcionamiento y mantenimiento.

ADVERTENCIA

Este símbolo de advertencia identifica las instrucciones o procedimientos especiales cuyo incumplimiento podría causar heridas graves o la muerte.

PRECAUCIÓN

Este símbolo de precaución identifica las instrucciones o procedimientos especiales cuyo incumplimiento podría dañar o destruir el equipo.

NOTA

- *Este símbolo de nota indica puntos de interés determinados para un funcionamiento más eficaz y práctico.*

LEA LAS INSTRUCCIONES DE FUNCIONAMIENTO DEL EQUIPO EN EL QUE SE UTILICE ESTE MOTOR.

LÉAME PRIMERO

Por su seguridad, asegúrese de leer y comprender este manual del propietario antes de utilizar este MOTOR.

ADVERTENCIA

EVITE que el motor funcione en un área cerrada. El gas del tubo de escape contiene monóxido de carbono, gas tóxico e inodoro de carácter mortal.

La gasolina es extremadamente inflamable y puede ocasionar explosiones en determinadas condiciones.

Pare el motor y deje que se enfríe antes cargar combustible.

NO fume. Mientras carga el combustible, repara el sistema de combustible, extrae la gasolina o ajusta el carburador, asegúrese de que el área esté bien ventilada y no exista riesgo de que se produzcan llamas o chispas; esto incluye el piloto de cualquier dispositivo.

NO rellene el depósito de forma que el nivel de combustible sobrepase la boca de llenado o la superficie de nivel del indicador de nivel. Si se sobrepasa, el calor puede hacer que el combustible salga y desborde por los orificios de ventilación de la tapa del depósito.

Limpie inmediatamente la gasolina que se haya derramado.

Para evitar el riesgo de incendio:

Separe el motor al menos 1 m (3,3 pies) de cualquier edificio, obstrucción u otro tipo de objeto inflamable.

NO coloque objetos inflamables cerca del motor.

NO deje expuesto el tubo de escape del motor a materiales combustibles.

NO utilice el motor en ningún terreno no construido en el que haya árboles, maleza o pastos, a menos que haya instalado un apagachispas en el silenciador.

ADVERTENCIA

Para evitar el riesgo de descarga eléctrica, NO toque las bujías de encendido, sus capuchones o cables cuando el motor esté funcionando.

Para evitar quemaduras graves, NO toque el motor o el silenciador cuando estén calientes. El motor se calienta con el uso. Antes de reparar o extraer piezas, pare el motor y deje que se enfríe.

NO ponga las manos ni los pies cerca de las piezas que se mueven o giran. Coloque una cubierta de protección sobre la polea, la correa trapezoidal o el acoplamiento.

NO utilice el motor a velocidades excesivas. ya que se podrían causar heridas graves.

Retire siempre los capuchones de las bujías de encendido al realizar el mantenimiento del motor para evitar que éste se encienda por accidente.

Asegúrese de leer y comprender las etiquetas de advertencia situadas en el motor. Si alguna de ellas faltara, estuviera dañada o desgastada, solicite otra nueva en su distribuidor de motores Kawasaki autorizado o instalación de mantenimiento con similar cualificación y colóquela en el lugar correcto.

INFORMACIÓN SOBRE CONTROL DE EMISIONES

Información sobre el combustible

ESTE MOTOR ESTÁ CERTIFICADO PARA FUNCIONAR ÚNICAMENTE CON GASOLINA NORMAL SIN PLOMO.

Se recomienda el uso de un mínimo de 87 octanos del índice antidetonante. El índice antidetonante se anuncia en los surtidores de las estaciones de servicio de Estados Unidos.

Información sobre control de emisiones

Para proteger el medio ambiente en el que vivimos, Kawasaki ha incorporado un sistema de control de emisiones de escape que cumple las normativas vigentes de la Agencia de Protección Ambiental de los Estados Unidos y la Junta de Recursos del Aire de California. Asimismo, dependiendo de la fecha de fabricación del motor, puede tener asignado un periodo de durabilidad de las emisiones. *Consulte a continuación el periodo de durabilidad de las emisiones del motor que puede aplicarse a su motor.

Sistema de control de emisiones de escape

El sistema de control de emisiones de escape aplicado a este motor consta de un sistema de combustible y un sistema de encendido que dispone de características óptimas de reglaje del encendido. La calibración del sistema de combustible permite proporcionar características específicas de mezcla pobre de combustible y aire, y un ahorro óptimo de combustible con un filtro de aire y sistema de escape adecuados.

Con el propósito de eliminar los gases de combustión, también se incorpora un sistema de control de emisiones del cárter sellado. Los gases de combustión se dirigen hacia una cámara con respiradero a través del cárter y, desde allí, al filtro de aire.

Periodo de conformidad de las emisiones del motor

California	Resto de estados
Motores mayores o iguales que 225 cc	Motores mayores o iguales que 225 cc
Año del modelo: 2008 y posterior	Año del modelo: 2011 y posterior
Periodo de durabilidad: 250 horas	Periodo de durabilidad: 250 horas (Categoría C)

Si su motor tiene asignado un periodo de durabilidad de las emisiones, figurará en la etiqueta de certificación fijada en el motor (INFORMACIÓN IMPORTANTE DEL MOTOR).

Información de ajuste del rendimiento a gran altitud

Para mejorar el RENDIMIENTO DEL CONTROL DE EMISIONES de los motores que funcionan a altitudes superiores a 1.000 metros (3.300 pies), Kawasaki requiere las siguientes modificaciones aprobadas por la Agencia de Protección Ambiental (EPA) y la Junta de Recursos del Aire de California (CARB). El ajuste para gran altitud requiere la sustitución de las toberas principales del carburador. La instalación de estas piezas opcionales puede realizarse a través de un distribuidor autorizado de Kawasaki, o el consumidor, siguiendo las recomendaciones de reparación que se especifican en el documento de mantenimiento o catálogo de piezas correspondiente de Kawasaki.

El funcionamiento con una configuración incorrecta en altitud puede aumentar la emisión y disminuir la eficiencia y rendimiento del combustible.

NOTA

- *Cuando se realizan correctamente, estas modificaciones especificadas no se consideran como una "alteración" del sistema de emisiones y, normalmente, el rendimiento no varía.*
- *Los modelos de motor con inyección de combustible no requieren ajuste del rendimiento a gran altitud.*

Mantenimiento y garantía

Resulta necesario realizar un mantenimiento adecuado para asegurar que el motor mantenga niveles bajos de emisiones. Este Manual del propietario incluye las recomendaciones de mantenimiento para su motor. Los elementos identificados por el Gráfico de mantenimiento periódico resultan necesarios para garantizar el cumplimiento de las normas aplicables.

El propietario del motor es responsable de garantizar la realización del mantenimiento recomendado de conformidad con las instrucciones indicadas en este Manual del propietario, y asumirá el coste correspondiente.

La Garantía limitada del sistema de control de emisiones de Kawasaki requiere la devolución del motor a un distribuidor autorizado de Kawasaki para realizar las medidas de subsanación necesarias bajo la garantía. Lea la garantía atentamente y mantenga su validez mediante el cumplimiento de las obligaciones estipuladas del propietario.

Alteración prohibida con el sistema de control de emisiones

La legislación federal prohíben los siguientes actos o la inducción a realizarlos: (1) la retirada o desactivación por parte de cualquier persona, excepto que se realice por motivos de mantenimiento, reparación o sustitución, de cualquier dispositivo o elemento de diseño incorporado en cualquier motor nuevo para fines de control de emisiones antes de su venta o entrega al comprador final o mientras se encuentre en uso, o (2) el uso del motor después de que cualquier persona haya retirado o desactivado dicho dispositivo o elemento de diseño.

Entre estos presuntos actos de alteración se incluyen los actos que se enumeran a continuación:

No alterar las piezas originales relacionadas con las emisiones:

- Carburador o sistema DFI y sus piezas internas
- Bujía de encendido
- Sistema de encendido magnético o electrónico
- Elemento del filtro de combustible
- Elementos del filtro de aire
- Cáster
- Cabezas de cilindros
- Cámara con respiradero y piezas internas
- Conducto y tubo de admisión
- Silenciador o cualquier parte interna del silenciador

PRÓLOGO

Este Manual del propietario tiene por objeto ayudarle en la operación segura y fiable de su Motor. LÉALO Y ENTIÉNDALO A FONDO ANTES DE PONER EN FUNCIONAMIENTO SU MOTOR.

LEA LAS INSTRUCCIONES DE FUNCIONAMIENTO DEL EQUIPO EN EL QUE SE UTILICE ESTE MOTOR.

Para garantizar que el motor tenga una vida útil larga y sin averías, aplíquele un cuidado y mantenimiento adecuados de conformidad con este manual.

Tenga en cuenta que las fotografías e ilustraciones de este manual se basan en el modelo FX730V como ejemplo habitual entre otros modelos similares.

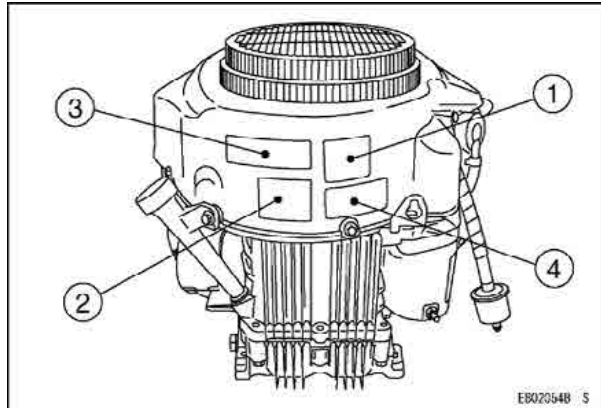
Reservados todos los derechos. Ninguna parte de esta publicación podrá reproducirse, almacenarse en un sistema de recuperación o transmitirse de cualquier forma o medio, ya sea de forma electrónica, mecánica, mediante fotocopia o de otra forma, sin el consentimiento previo por escrito de Kawasaki Heavy Industries, Ltd., Consumer Products & Machinery Company. Aunque se ha puesto el máximo cuidado para que este manual sea lo más completo y preciso posible, Kawasaki no puede garantizar que no se produzca ningún error u omisión. Debido a las mejoras en el diseño y rendimiento durante la producción, los procedimientos y especificaciones están sujetos a cambio sin previa notificación. Las ilustraciones se proporcionan únicamente como referencia general, y los aspectos y componentes reales del producto podrían variar.

ÍNDICE

INFORMACIÓN GENERAL	11	MANTENIMIENTO	24
Ubicación de las etiquetas	11	Gráfico de mantenimiento periódico	24
Ubicación de las piezas	12	Comprobación del nivel de aceite	26
Especificaciones de puesta a punto	13	Cambio de aceite	27
Capacidad de aceite del motor	13	Cambio del filtro de aceite	28
RECOMENDACIONES DE COMBUSTIBLE Y		Mantenimiento del filtro de aire	29
ACEITE	14	Elemento de papel	30
Combustible	14	Mantenimiento de la bujía de encendido	30
Aceite del motor	15	Mantenimiento del filtro y la bomba de	
PREPARACIÓN	16	combustible	31
Combustible	16	Limpieza del sistema de refrigeración	32
Aceite del motor	16	ALMACENAMIENTO	34
ARRANQUE	18	Vaciado del sistema de combustible	34
Arranque del motor	18	SOLUCIÓN DE AVERÍAS	36
FUNCIONAMIENTO	20	PROTECCIÓN MEDIOAMBIENTAL	38
Calentamiento	20	ESPECIFICACIONES	39
Inclinación del motor	20	DIAGRAMA DE CABLEADO	40
PARADA	21	Diagrama de cableado	40
Parada del motor	21		
Parada de emergencia	21		
AJUSTE	22		
Instalación y ajuste del cable del acelerador	22		
Instalación y ajuste del cable del estrangulador ...	22		
Ajuste de la velocidad del motor	23		

INFORMACIÓN GENERAL

Ubicación de las etiquetas



1. Etiqueta de advertencia
2. Etiqueta de información importante sobre el motor
3. Etiqueta de mantenimiento de motor
4. Etiqueta del Número de serie del motor

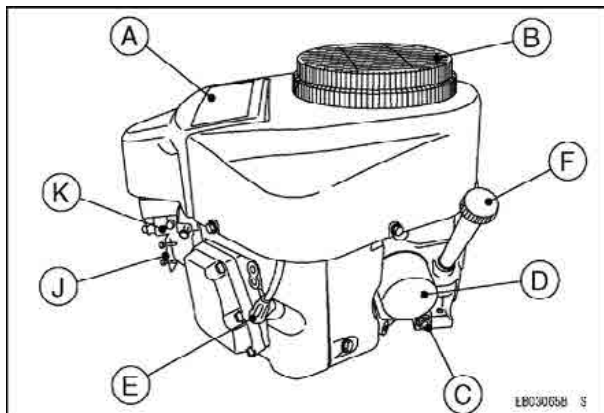
El número de serie del motor es el único medio de identificación de su motor concreto para diferenciarlo de otros motores del mismo tipo de modelo.

El distribuidor necesitará este número cuando solicite piezas.

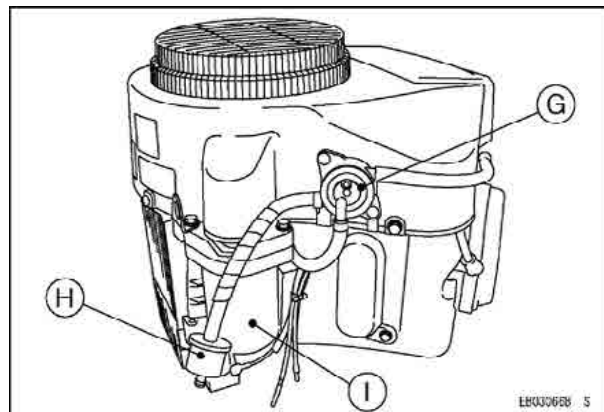


12 INFORMACIÓN GENERAL

Ubicación de las piezas



- A. Filtro de aire
- B. Cubierta protectora de entrada de aire
- C. Tapón de drenaje de aceite.
- D. Filtro de aceite
- E. Capuchones de las bujías de encendido/bujías de encendido
- F. Indicador de nivel
- J. Panel de control
- K. Carburador



- G. Bomba de combustible
- H. Filtro de combustible
- I. Motor de arranque eléctrico

Especificaciones de puesta a punto

ELEMENTO	Especificaciones
Reglaje del encendido	No permite ajuste
Bujías de encendido: Separación entre los electrodos	NGK BPR4ES 0,75 mm (0,030 pulg.)
Ralentí mínimo	1.550 rpm
Ralentí máximo	3.600 rpm
Holgura de las válvulas	Interior 0,10 ~ 0,15 mm (0,004 ~ 0,006 pulg.) Exterior 0,10 ~ 0,15 mm (0,004 ~ 0,006 pulg.)
Otras especificaciones	No se necesitan otros ajustes

NOTA

- *El ralentí máximo y mínimo pueden variar en función del equipo en el que se utilice el motor. Consulte la especificación del equipo.*

Capacidad de aceite del motor

Capacidad de aceite del motor

FR651V FR691V FR730V	1,8 l [cuando no se ha retirado el filtro de aceite]
	2,1 l [cuando se ha retirado el filtro de aceite]

– RECOMENDACIONES DE COMBUSTIBLE Y ACEITE –

Combustible

Utilice sólo gasolina de tipo normal sin plomo, limpia y sin reciclar.

PRECAUCIÓN

No mezcle aceite con gasolina.

Octanaje

El octanaje de una gasolina es una medida de sus resistencia ante la "detonación". El índice antidetonante recomienda el uso de un mínimo de 87 octanos. El índice antidetonante se anuncia en los surtidores de las estaciones de servicio de Estados Unidos.

Índice antidetonante: $(RON + MON)/2$

RON = Research Octane Number (Octanaje medido en el laboratorio)

MON = Motor Octane Number (Octanaje del motor)

NOTA

○ Si se producen "detonaciones o golpeteo", utilice otra marca de gasolina o un octanaje superior.

Compuestos oxigenados

A la gasolina se le añaden compuestos oxigenados (etanol o MTBE). Si utiliza combustible oxigenado, asegúrese de que no contenga plomo y de que cumpla los requisitos mínimos de octanaje.

A continuación se detallan los porcentajes aprobados por EPA de compuestos oxigenados en el combustible.

ETANOL: (Alcohol etílico o de grano)

Puede utilizar gasolina que contenga un volumen de hasta un 10% de etanol.

MTBE: (Metilterbutil éter)

Puede utilizar gasolina que contenga un volumen de hasta un 15% de MTBE.

METANOL: (Alcohol de metilo o de madera) al 5%

Puede utilizar gasolina que contenga un volumen de hasta un 5% de metanol, siempre que también contenga codisolventes e inhibidores de corrosión para proteger el sistema de combustible. La gasolina que contenga más de un 5% de volumen de metanol puede producir problemas de arranque o rendimiento. También puede dañar las piezas de metal, goma y plástico del sistema de combustible.

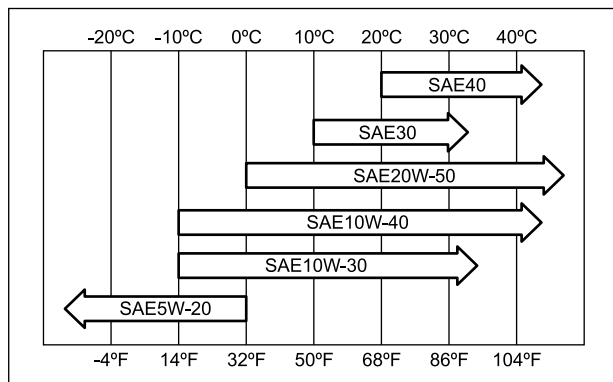
Aceite del motor

Se recomiendan los siguientes aceites para el motor.

Clasificación del servicio API: SF, SG, SH, SJ o SL.

Viscosidad del aceite

Seleccione la viscosidad en función de la temperatura, según se explica a continuación:



NOTA

- A pesar de que se recomienda utilizar el aceite del motor 10W-40 para la mayoría de las condiciones, puede que resulte necesario cambiar la viscosidad del aceite según las condiciones atmosféricas. El uso de aceite 20W-50 a temperaturas ambiente más altas puede reducir el consumo de aceite.

PREPARACIÓN

Combustible

ADVERTENCIA

La gasolina es extremadamente inflamable y puede ocasionar explosiones en determinadas condiciones.

Antes de repostar combustible, gire la llave de contacto del motor hasta la posición "OFF" (Apagado). No fume. Asegúrese de que el área esté bien ventilada y de que no existe riesgo alguno de que se produzcan llamas o chispas; esto incluye cualquier dispositivo con un piloto.

Nunca llene el depósito de forma que el nivel de combustible sobrepase la boca de llenado. Si se sobrepasa, el calor puede hacer que el combustible salga y desborde por los orificios de ventilación de la tapa del depósito.

Después de cargar el combustible, asegúrese de que la tapa del depósito esté bien cerrada.

Si se derrama gasolina, límpiela inmediatamente.

Aceite del motor

Compruebe el nivel del aceite antes de arrancar el motor; en caso de que faltara aceite, podrían producirse daños graves en el motor como, por ejemplo, su gripado.

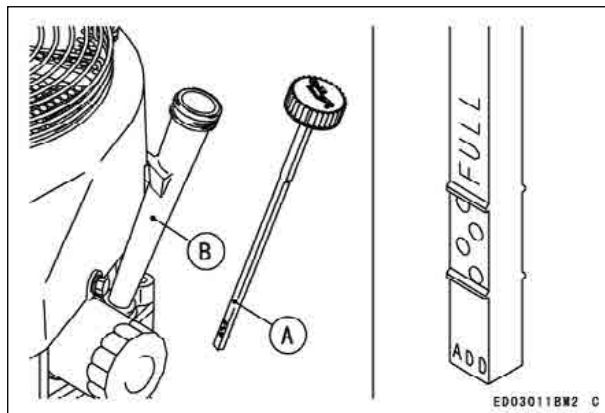
- Coloque el motor en una superficie nivelada. Limpie el área que rodea el indicador de aceite antes de quitarlo.
- Quite el indicador de aceite (A) y límpielo con un paño limpio.
- Vierta el aceite lentamente hasta la marca "FULL" (Lleno) del indicador.
- Inserte el indicador de aceite en el tubo (B) SIN ENROSCARLO.
- Extraiga de nuevo el indicador de aceite (A) para comprobar el nivel. El nivel debe estar entre las marcas "ADD" (Añadir) y "FULL" (Lleno). No sobrepase la marca FULL.
- Inserte y apriete el indicador de aceite (A).

PRECAUCIÓN

No llene por encima de la marca "FULL" (Lleno). El exceso de aceite provocará humo y sobrecalentamiento del motor.

Capacidad de aceite del motor

FR651V FR691V FR730V	1,8 l [cuando no se ha retirado el filtro de aceite]
	2,1 l [cuando se ha retirado el filtro de aceite]



A. Indicador de nivel

B. Tubo

PRECAUCIÓN

El motor se entrega sin aceite.

ARRANQUE

Arranque del motor

ADVERTENCIA

Los gases del tubo de escape contienen monóxido de carbono, un gas tóxico, incoloro e inodoro.

No utilice la unidad en áreas cerradas. Procure que haya ventilación en todo momento.

ADVERTENCIA

El escape del motor puede inflamar los materiales combustibles y provocar un incendio. Mantenga despejada la zona cercana a la salida de escape. Coloque la unidad de forma que dicha salida esté orientada hacia un área despejada y en una ubicación con una distancia de al menos un metro (3,3 pies) de cualquier obstrucción.

NOTA

- Tenga en cuenta lo siguiente para arrancar el motor sin problemas cuando las temperaturas sean bajas.

- Utilice el aceite adecuado para la temperatura prevista (consulte el capítulo "RECOMENDACIONES DE COMBUSTIBLE Y ACEITE").

Utilice gasolina nueva.

No deje el motor ni el equipo a la intemperie cuando no se esté utilizando.

NOTA

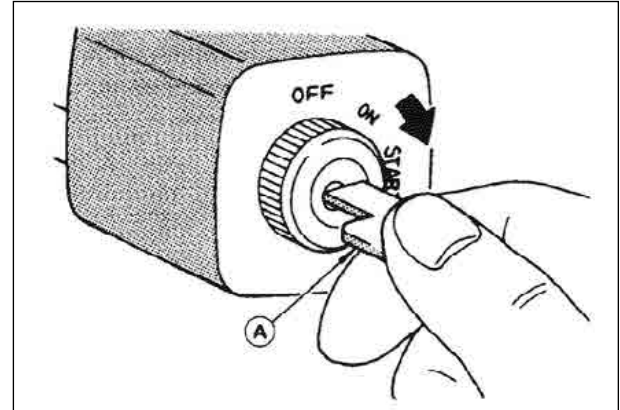
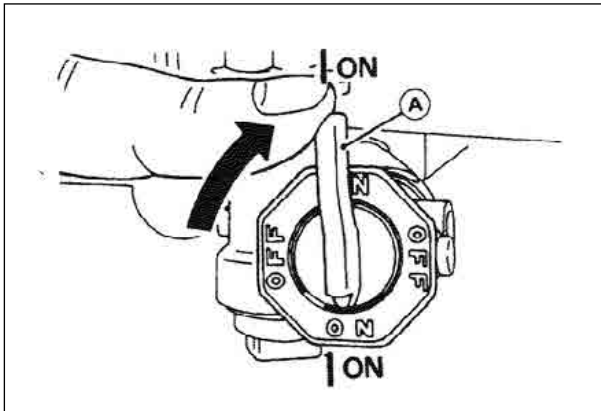
- *Siga las instrucciones de funcionamiento del equipo en el que se utilice este motor.*
- Antes de arrancar el motor, desconecte todas las posibles cargas exteriores.
Abra la válvula de combustible (A) del equipo.
Mueva la palanca del acelerador del tablero hasta la mitad de la posición del acelerador.
Utilice todo el estrangulador cuando el motor esté frío, aunque en climas calientes o cuando el motor ya esté caliente, utilice la mitad del estrangulador o deje el estrangulador completamente abierto.
Introduzca la llave en el contacto del motor.
Gírela hasta la posición START (Arranque) del equipo. Normalmente el motor se arrancará en un plazo de 3 segundos.

PRECAUCIÓN

No accione el motor de arranque eléctrico de forma continua durante más de 5 segundos ya que, de lo contrario, la batería podría descargarse rápidamente. Si el motor no arranca enseguida, espere 15 segundos y vuelva a intentarlo.

NOTA

- Cuando el motor esté muy caliente o cuando el motor no arranque inmediatamente, **NO** siga intentando arrancarlo con el estrangulador cerrado ya que provocará un desbordamiento que hará que el arranque sea más difícil.
- En su lugar, abra completamente el estrangulador y arranque el motor.



PRECAUCIÓN

Siempre que arranque el motor, compruebe que el piloto de advertencia (si está instalado) no se encienda tras esta operación. Si éste fuera el caso, pare el motor inmediatamente y compruebe el nivel de aceite.

- Justo después de arrancar el motor, lleve gradualmente la palanca hasta la posición de apertura completa.

FUNCIONAMIENTO

Calentamiento

Justo después de arrancar el motor, mueva la palanca del acelerador (A) del equipo hasta la posición intermedia entre "FAST" (Rápido) y "SLOW" (Lento).

Para calentar el motor, manténgalo arrancado de 3 a 5 minutos con la palanca del acelerador en la misma posición de aceleración (intermedia) antes de utilizar el equipo. A continuación, mueva la palanca del acelerador (A) del equipo hasta su posición "FAST" (Rápido).

PRECAUCIÓN

Deje que el equipo se caliente lo suficiente (de 3 a 5 minutos al ralentí) antes de acelerarlo. De esta forma el aceite llega a todas las partes del motor y permite que la holgura del pistón alcance las especificaciones de diseño.

PRECAUCIÓN

Mientras se calienta el motor, asegúrese de que el piloto de advertencia (presión de aceite) del tablero no esté encendido. Éste no debe estar iluminado (si está instalado) durante el funcionamiento del motor.

Inclinación del motor

Este motor funcionará de forma continuada con inclinaciones de hasta 25° en cualquier dirección.

Lea las instrucciones de funcionamiento del equipo en el que se utilice este motor. Debido al diseño o a la aplicación de dicho equipo, pueden existir restricciones más estrictas respecto al ángulo de funcionamiento.

PRECAUCIÓN

No utilice este motor de forma continuada con inclinaciones superiores a 25° en cualquier dirección, ya que se podrían producir daños en el mismo debido a una falta de lubricación.

PARADA

Parada del motor

⚠ ADVERTENCIA

Quite siempre la llave del contacto cuando no se encuentre junto al equipo o cuando no lo utilice.

Parada normal

- Mueva la palanca del acelerador (A) hasta la posición "**slow**" (Lento).
- Reduzca la velocidad del motor hasta ralentí. Siga con el motor en marcha al ralentí durante aproximadamente un minuto.

PRECAUCIÓN

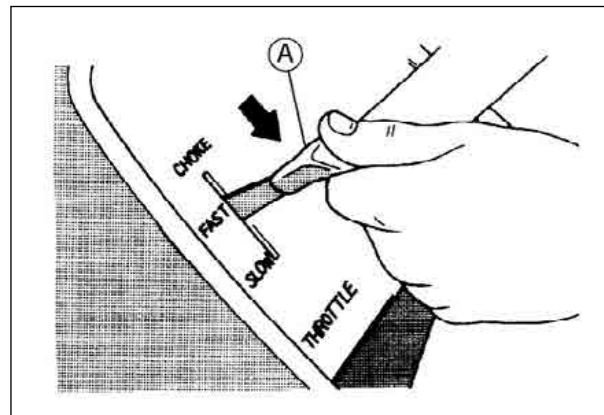
Si el motor se estaba utilizando a alta velocidad y se para de repente, se pueden producir daños en el mismo debido al funcionamiento en vacío o a la persistencia de la combustión durante el periodo de expansión. Reduzca la velocidad del motor hasta el ralentí durante un minuto antes de pararlo.

- Gire la llave de contacto del motor hasta la posición "OFF" (Apagado).

En el modelo con contacto mediante el panel de control, mueva la palanca del acelerador hasta la posición SLOW (Lento) para detener el motor.

Parada de emergencia

- Gire inmediatamente la llave de contacto del motor hasta la posición "OFF" (Apagado).
Cierre la válvula de combustible del equipo.
En el modelo con contacto mediante el panel de control, mueva la palanca del acelerador del equipo hasta la posición SLOW (Lento). De esta forma, se apaga el motor.



AJUSTE

Instalación y ajuste del cable del acelerador

- Conecte el cable del acelerador (G) a la palanca de control de velocidad (C) y ajuste sin forzarla la abrazadera sobre el revestimiento exterior del cable del acelerador (F) con el tornillo correspondiente (A).

Mueva la palanca del acelerador hasta la posición "FAST" (Rápido).

Tire del revestimiento externo (F) del cable del acelerador hasta que el cable interior (G) casi no tenga juego y apriete el tornillo de la abrazadera del cable (A).

Mueva la palanca del acelerador hasta la posición "SLOW" (Lento). Asegúrese de que la válvula de mariposa del carburador (H) se mueva suavemente.

Instalación y ajuste del cable del estrangulador

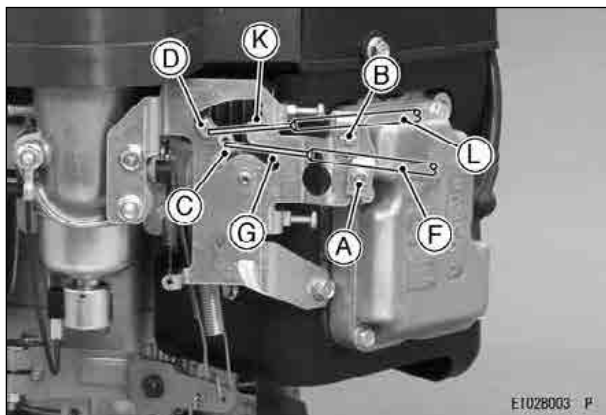
- Conecte el cable del estrangulador (K) a la palanca de control del estrangulador (D) y ajuste sin forzarla la abrazadera sobre el revestimiento exterior del cable del estrangulador (L) con el tornillo correspondiente (A).

Mueva el control del estrangulador del equipo hasta la posición "OPEN" (Abierto). Asegúrese de que la válvula del estrangulador del carburador (I) esté totalmente abierta.

Tire del revestimiento exterior (L) del cable del estrangulador hasta que el cable interior (K) casi no tenga juego y apriete el tornillo de la abrazadera del cable (B).

Mueva el control del estrangulador del equipo hasta la posición "CHOKE" (Estrangulador). Asegúrese de que la válvula del estrangulador del carburador (I) esté totalmente cerrada.

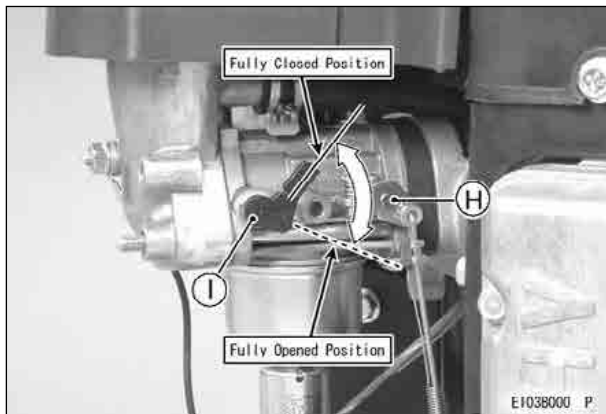
Asegúrese de que la válvula del estrangulador gire desde la posición de cierre completo hasta la de apertura completa cuando accione el control de estrangulador del equipo.



Ajuste de la velocidad del motor

NOTA

- No trate de forzar el ajuste del regulador o del carburador para aumentar la velocidad del motor. Los carburadores vienen ajustados de fábrica y con un tapón o una placa de tope en cada tornillo de mezcla.
- Si fuera necesario realizar algún ajuste, éste lo debe realizar su distribuidor de motores Kawasaki autorizado o instalación de mantenimiento con similar cualificación.



MANTENIMIENTO

El mantenimiento, sustitución o reparación de los dispositivos y sistemas de control de emisiones pueden realizarse a través de cualquier taller o técnico de motores no diseñados para vehículos.

Gráfico de mantenimiento periódico

ADVERTENCIA

Retire siempre los capuchones de las bujías de encendido al realizar el mantenimiento del motor para evitar que éste se encienda por accidente.

NOTA

○ *Los intervalos de mantenimiento se pueden utilizar como guía. El mantenimiento se deberá realizar con mayor frecuencia dependiendo de las condiciones de funcionamiento.*

- ◆ : Es necesario realizar operaciones de mantenimiento con mayor frecuencia cuando hay mucho polvo.
- ◇ El mantenimiento se realizará a través de un distribuidor autorizado de Kawasaki o instalación de mantenimiento con similar cualificación.

MANTENIMIENTO	INTERVALO					
	Diario	Cada 100 h	Cada 200 h	Cada 250 h	Cada 300 h	Cada 500 h
Comprobar y añadir aceite de motor.	●					
Comprobar si hay tuercas o tornillos flojos o falta alguno de estos elementos.	●					
Comprobar si hay fugas de combustible o de aceite.	●					

MANTENIMIENTO 25

MANTENIMIENTO	INTERVALO					
	Diario	Cada 100 h	Cada 200 h	Cada 250 h	Cada 300 h	Cada 500 h
Comprobar el nivel de electrolito de la batería.	●					
◆ Comprobar o limpiar la rejilla filtradora de entrada de aire.	●					
◆ Limpiar el elemento de espuma del filtro de aire.		●				
◆ Limpiar el polvo y la suciedad del cilindro ◇ y aletas de la cabeza del cilindro.		●				
Apretar las tuercas y tornillos.		●				
Cambiar el aceite del motor.	Cada 100 horas o 1 año, lo cual se cumpla primero					
Limpiar y reajustar la separación entre los electrodos de las bujías de encendido.		●				
Cambiar el filtro de aceite.			●			
◆ Sustituir el elemento de papel del filtro de aire			●			
◇ Limpiar la cámara de combustión.					●	
◇ Comprobar y ajustar la holgura de las válvulas.					●	
◇ Limpiar y rectificar la superficie de asiento de la válvula.					●	

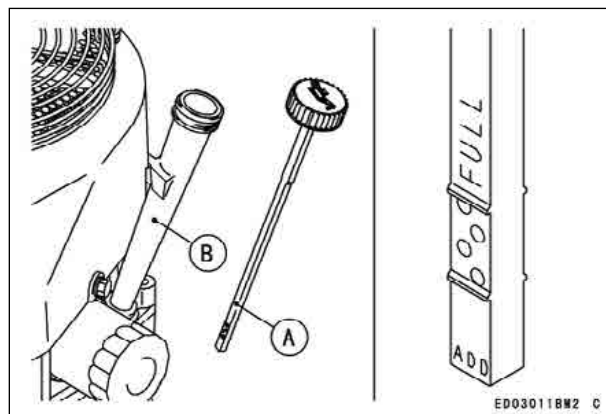
26 MANTENIMIENTO

Comprobación del nivel de aceite

Compruebe el nivel de aceite a diario y antes de cada uso. Asegúrese de que el nivel de aceite sea constante. Consulte el capítulo "PREPARACIÓN".

Capacidad de aceite del motor

FR651V FR691V FR730V	1,8 l [cuando no se ha retirado el filtro de aceite]
	2,1 l [cuando se ha retirado el filtro de aceite]



Cambio de aceite

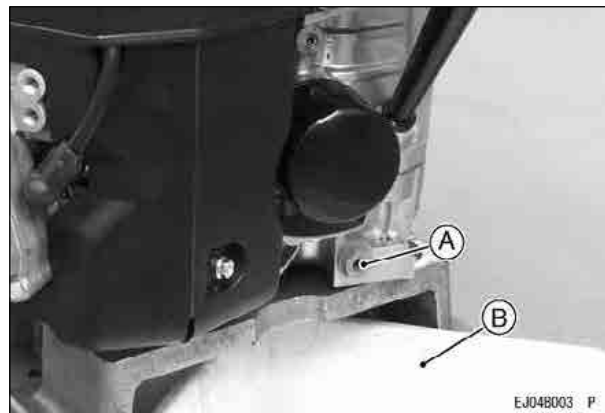
Cambiar el aceite cada 100 horas o 1 año lo cual se cumpla primero.

- Arranque el motor para calentar el aceite. Asegúrese de que el motor (equipo) esté nivelado. Pare el motor. Quite los tapones de drenaje de aceite (A) y extraiga el aceite a un contenedor adecuado mientras el motor está caliente.

⚠ ADVERTENCIA

El aceite caliente del motor puede provocar quemaduras graves. Deje que la temperatura del motor descienda de caliente a templada antes de extraer y manejar el aceite.

- Instale los tapones de drenaje de aceite. Extraiga el indicador de nivel del aceite y rellene con aceite nuevo (Consulte el capítulo "RECOMENDACIONES DE COMBUSTIBLE Y ACEITE"). Compruebe el nivel de aceite (consulte el capítulo "PREPARACIÓN" para realizar esta comprobación).



- A. Tapón de drenaje de aceite
- B. Contenedor adecuado

⚠ ADVERTENCIA

El aceite del motor es una sustancia tóxica. Deshágase del aceite usado de forma adecuada. Póngase en contacto con las autoridades locales para obtener información sobre los métodos autorizados de eliminación de residuos o el posible reciclaje.

Cambio del filtro de aceite

- Cambie el filtro de aceite cada 200 horas de uso.

⚠ ADVERTENCIA

El aceite caliente del motor puede provocar quemaduras graves. Deje que la temperatura del motor descienda de caliente a templada antes de intentar quitar el filtro de aceite.

- Extraiga el aceite del motor a un contenedor adecuado (C).

PRECAUCIÓN

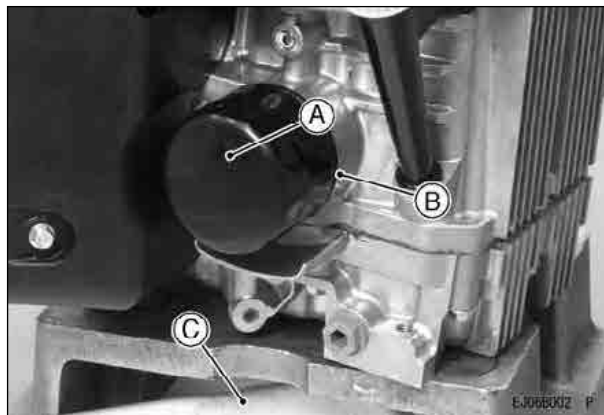
Antes de quitar el filtro de aceite, coloque un recipiente adecuado debajo de la conexión del filtro.

- Gire el filtro de aceite (A) en el sentido contrario a las agujas del reloj para quitarlo. Cubra con una capa de aceite de motor limpio la junta del nuevo filtro. Para instalar el nuevo filtro, gírelo en el sentido de las agujas del reloj hasta que la junta entre en contacto con la superficie de montaje (B). A continuación, gire a mano el filtro 3/4 de vuelta más.

Añada el aceite del motor según las especificaciones.

Mantenga el motor en funcionamiento durante aproximadamente 3 minutos, párelo y compruebe si hay fugas de aceite alrededor del filtro.

Añada aceite para compensar la bajada del nivel debido a la capacidad del filtro de aceite (consulte en el capítulo "PREPARACIÓN" para la comprobación del nivel de aceite).



- A. Filtro de aceite**
- B. Superficie de montaje**
- C. Contenedor adecuado**

⚠ ADVERTENCIA

El aceite del motor es una sustancia tóxica. Deshágase del aceite usado de forma adecuada. Póngase en contacto con las autoridades locales para obtener información sobre los métodos autorizados de eliminación de residuos o el posible reciclaje.

Mantenimiento del filtro de aire**PRECAUCIÓN**

Para evitar el desgaste excesivo del motor, evite que el motor funcione sin filtro de aire.



30 MANTENIMIENTO

Elemento de papel

Limpie el elemento de papel (B) cada 100 horas.

- Para limpiar este elemento de papel, golpéelo suavemente para quitar el polvo. Si está muy sucio, sustitúyalo por uno nuevo.
- Sustituya el elemento de papel una vez al año o cada 200 horas de uso. Lo que se produzca antes.

NOTA

- *La utilización con mucho polvo puede hacer que sea necesario realizar el mantenimiento con mayor frecuencia que la explicada anteriormente.*

PRECAUCIÓN

**No lave el elemento de papel.
No aplique aceite al elemento de papel o de espuma.
No utilice aire a presión para limpiar el elemento de papel.**

Mantenimiento de la bujía de encendido

ADVERTENCIA

**Los componentes calientes del motor pueden provocar quemaduras graves.
Pare el motor y deje que se enfríe antes de comprobar las bujías de encendido.**

Limpie o sustituya las bujías de encendido y reajuste la separación entre los electrodos (A) cada 100 horas de uso.

- Retire los capuchones de las bujías de encendido y extraiga las bujías.

Para limpiar los electrodos (B), frótelos con un cepillo de alambre a fin de eliminar los depósitos de carbonilla.

Compruebe si la porcelana está agrietada o si alguna otra parte está gastada o dañada. Si es necesario, sustituya la bujía de encendido por una nueva.

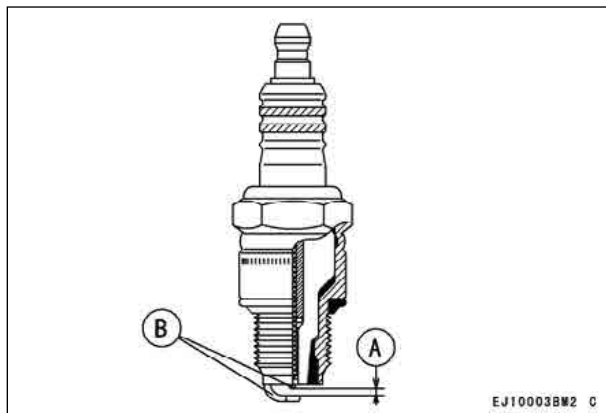
Compruebe la separación entre los electrodos de la bujía de encendido y reajústela si fuera necesario. La separación debe ser de 0,75 mm (0,030 pulg.). Para cambiar la separación, doble sólo el

electrodo lateral con una herramienta específica para tal fin.

Instale y apriete las bujías de encendido hasta 22 N·m (2,2 kgf·m, 16 pies·lb). Conecte los capuchones de la bujía de encendido.

BUJÍA RECOMENDADA

NGKBPR4ES



- A. Separación de los electrodos de la bujía
- B. Electrodo

Mantenimiento del filtro y la bomba de combustible

⚠ ADVERTENCIA

El uso incorrecto de disolventes puede causar un incendio o una explosión. No utilice gasolina ni disolventes con baja temperatura de inflamación para limpiar el filtro de combustible o la bomba de combustible. Realice la limpieza sólo en un lugar bien ventilado alejado de focos de llamas o chispas; esto incluye cualquier dispositivo con piloto.

- El filtro de combustible no se puede desmontar. Si se obstruye, sustitúyalo por uno nuevo. La bomba de combustible no se puede desmontar. Si ésta falla, sustitúyala por una nueva.

32 MANTENIMIENTO

Limpieza del sistema de refrigeración

Antes de cada uso, compruebe que la rejilla filtradora de entrada de aire (giratoria) (interior de A) no tenga césped ni restos y límpiela si fuera necesario. Cada 100 horas de uso, compruebe y limpie las aletas de refrigeración y el interior de las cubiertas del motor para eliminar el césped, la paja o la suciedad que obstruya el sistema de refrigeración y que puede provocar sobrecalentamiento. Cuando limpie, retire el filtro de aire (dentro de E), afloje los pernos (C), (D) y retire la carcasa del ventilador (B).

PRECAUCIÓN

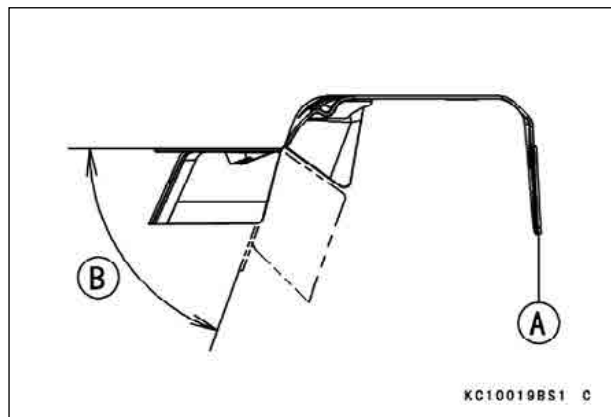
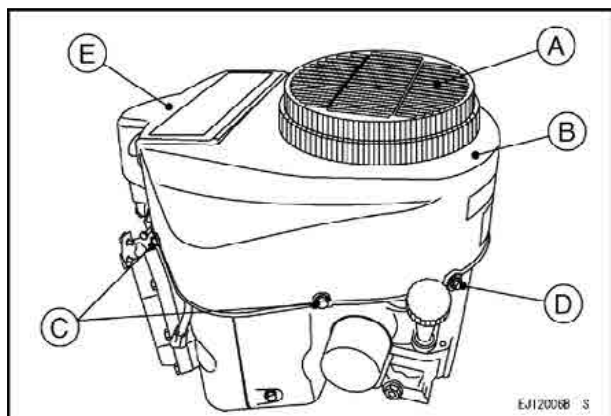
Antes de arrancar el motor de nuevo, debe reinstalar todas las piezas del sistema de refrigeración para que tanto la refrigeración como la carburación funcionen según lo previsto.

PRECAUCIÓN

Doble el protector del motor (lado del regulador) [A] solamente dentro del margen mostrado [B] (70°).

[Tamaño de tornillos y par de apriete]

Tornillos	Tamaño	Longitud	Par de apriete
C	M6	16 mm	8,8 N·m (0,9 kgf·m, 78 pulg·lb)
D	M6	22 mm	8,8 N·m (0,9 kgf·m, 78 pulg·lb)



[B] = 70°

ALMACENAMIENTO

Vaciado del sistema de combustible

Cuando no utilice el motor Kawasaki durante más de 30 días, añada estabilizador de combustible al depósito de combustible y haga funcionar el motor durante 5 minutos y, a continuación, vacíe el depósito de combustible.

Tras vaciar el depósito de combustible, haga funcionar el motor al ralentí mínimo hasta que el motor se cale.

ADVERTENCIA

La gasolina es extremadamente inflamable y puede ocasionar explosiones en determinadas condiciones.

Extraiga el combustible antes de guardar el equipo durante períodos prolongados.

Extraiga el combustible en un lugar bien ventilado, y asegúrese de que el equipo se encuentra alejado de cualquier fuente de llamas o chispas; esto incluye cualquier dispositivo con piloto. Guarde el combustible en un contenedor homologado y en una ubicación segura.

- Limpie todas las piezas del motor. Asegúrese de que la llave de contacto del motor esté situada en la posición "OFF" (Apagado).

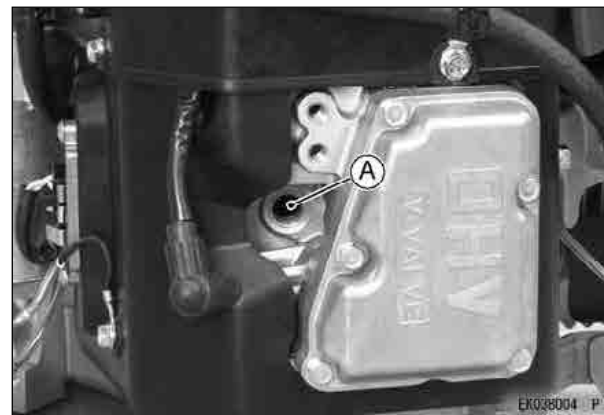
Cierre la válvula de combustible y retire el compartimento de sedimentos.

Coloque un recipiente debajo de la válvula de combustible para que recoja el combustible drenado y abra la válvula para vaciar completamente el depósito.

- Coloque el compartimento de sedimentos y abra la válvula de combustible.
- Para retirar el combustible del carburador, haga funcionar el motor para consumir el combustible del carburador.
- Retire las bujías de encendido y vierta aproximadamente 1 ~ 2 ml (0,06 ~ 0,1 pulg. cúbicas) de aceite de motor por los orificios para las bujías (A) y, a continuación, apriete las bujías de encendido después de hacer girar el motor unas cuantas veces. Gire lentamente el motor hasta que note presión y, a continuación, déjelo ahí. De esta forma se bloquea el aire que hay dentro del cilindro y se evita que se oxide el interior del motor. Limpie el cuerpo con un paño con aceite. Envuelva el motor con un plástico y guárdelo en un lugar seco. Cambie el aceite del motor para el próximo uso después de un período de almacenamiento (consulte la sección "Cambio de aceite" del capítulo "MANTENIMIENTO").

⚠ ADVERTENCIA

La gasolina es una sustancia tóxica. Deshágase de ella de la forma adecuada. Póngase en contacto con las autoridades locales para obtener información sobre los métodos autorizados de eliminación de residuos.



A. Orificio de la bujía de encendido

SOLUCIÓN DE AVERÍAS

Si el motor no funciona correctamente, compruebe con atención los síntomas y las condiciones de funcionamiento y consulte la siguiente tabla como guía para reparar las averías.

Síntoma	Probable causa	Solución	
El motor no arranca o la potencia es baja	Compresión insuficiente	Los pistones, el cilindro, los segmentos del pistón y las juntas de culata están defectuosos	◇
		Las válvulas fallan	
		Las bujías de encendido están flojas	Apriételas correctamente
		Los tornillos de la cabeza del cilindro están flojos	
	No hay combustible en la cámara de combustión	No hay combustible en el depósito	Rellene el depósito
		La válvula de combustible no está en la posición "ON"	Abra la palanca de la válvula de combustible.
		El filtro o el tubo de combustible están bloqueados	Cambie el filtro o el tubo de combustible
		La entrada de aire de la tapa del depósito está bloqueada	Limpie la tapa del depósito de combustible
		El carburador falla	◇
	Las bujías de encendido están llenas de aceite	La mezcla de combustible y aire es demasiado rica	Abra el estrangulador. Extraiga las bujías de encendido y gire el motor para descargar el combustible que sobra. Limpie las bujías de encendido.
		El filtro de aire está obstruido	Límpielo
		El carburador falla	◇
		Grado/tipo de combustible incorrecto	Cambie el combustible
Agua en el combustible			

Síntoma		Probable causa	Solución
	No enciende o el encendido es débil	Fallan las bujías de encendido	Sustitúyalas
		Falla la bobina de encendido	◇
		La llave de contacto del motor se ha quedado en la posición "OFF"	Gire la llave de contacto del motor hasta la posición "START" (Arranque) (Consulte M)
Poca potencia	El motor se sobrecalienta	El filtro de aire está obstruido	Límpielo
		La rejilla filtradora de entrada de aire o el trayecto del aire refrigerado está obstruido con suciedad	
		No hay suficiente aceite	Rellénelo o cambie el aceite
		Se ha acumulado carbonilla en la cámara de combustión	◇
		Hay una ventilación insuficiente alrededor del motor	Seleccione una ubicación más adecuada
	La velocidad del motor no aumenta	Falla el regulador	◇

◇: El mantenimiento se realizará a través de un distribuidor autorizado de motores Kawasaki o instalación de mantenimiento con similar cualificación.

M: en el modelo con contacto mediante el panel de control, aleje la palanca del acelerador del equipo de la posición SLOW (Lento) antes de girar la llave hasta la posición "START" (Arranque).

PROTECCIÓN MEDIOAMBIENTAL

Para proteger el medio ambiente, deshágase debidamente de las baterías, aceite del motor, gasolina, refrigerante u otros componentes usados.

Consulte a un distribuidor autorizado de motores Kawasaki o instalación de mantenimiento con similar cualificación o a la agencia de residuos medioambientales sobre el procedimiento que debe seguirse para realizar una correcta eliminación.

ESPECIFICACIONES

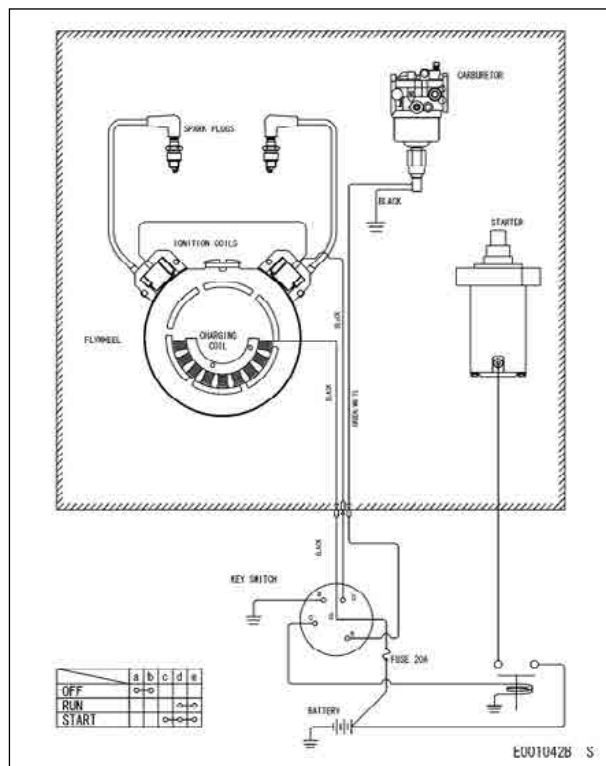
	FR651V, FR691V, FR730V
Tipo	Motor de gasolina de 4 tiempos, válvula en culata, cilindro V-gemelo y refrigerado por aire
Diámetro x carrera	78 x 76 mm (3,07 x 2,99 pulg.)
Desplazamiento	726 ml (44,3 pulg. cúbicas)
Sistema de encendido	Encendido de estado sólido
Dirección de rotación	Contraria a las agujas del reloj, mirando al eje de toma de fuerza
Sistema de arranque	Motor de arranque eléctrico

NOTA

- *Especificaciones sujetas a cambio sin previo aviso.*

DIAGRAMA DE CABLEADO

Diagrama de cableado



NOTA

- La parte rodeada por sombreado muestra las piezas que se obtienen de Kawasaki.

⚠ ADVERTENCIA

Por seguridad eléctrica, retire siempre el cable del borne negativo (-) de la batería antes de intentar realizar cualquier reparación o labor de mantenimiento.

Capacidad de batería recomendada

Capacidad de batería

Clase 550 CCA de 12 V

⚠ WARNING

The engine exhaust from this product contains chemicals known to the State of California to cause cancer, birth defects or other reproductive harm.

⚠ ADVERTENCIA

El escape del motor de este producto contiene productos químicos que, según el Estado de California, provocan cáncer, defectos de nacimiento o afectan a la fecundidad.

For repair or maintenance assistance contact an authorized Kawasaki engine dealer or equally qualified service facility.

For warranty assistance please contact an authorized Kawasaki engine dealer.

Kawasaki engine dealer locator can be found on our website: www.kawasakienginesusa.com

For further assistance email: kawasakienginesupport@kmc-usa.com or call 877-364-6404

Para obtener asistencia en la reparación y mantenimiento, póngase en contacto con un distribuidor autorizado de motores Kawasaki o con un centro de servicio de similar cualificación.

Para obtener asistencia respecto a la garantía, póngase en contacto con un distribuidor autorizado de motores Kawasaki. El localizador de distribuidores de motores Kawasaki se encuentra disponible en nuestro sitio web: www.kawasakienginesusa.com

Si necesita más asistencia, envíe un correo electrónico a kawasakienginesupport@kmc-usa.com o llame al 877-364-6404



Kawasaki
— ENGINES —