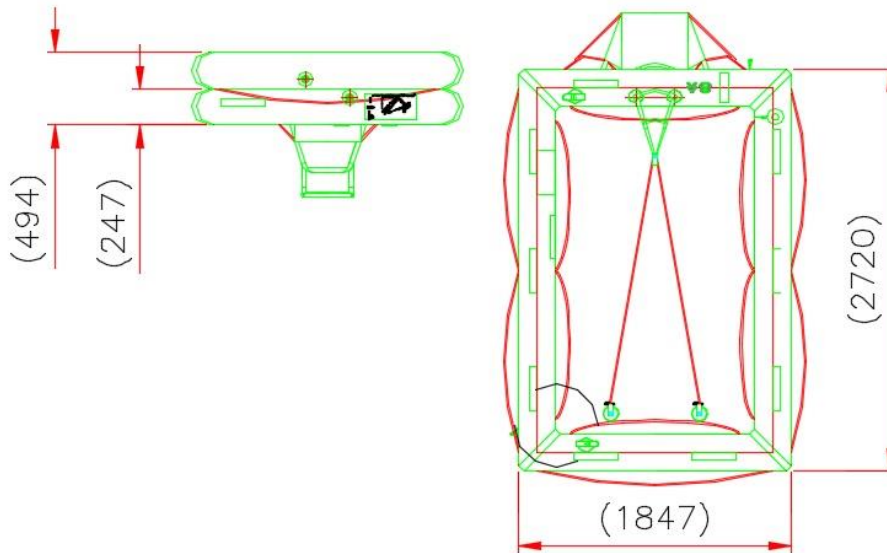


8 PERSON MKIV IBA

Inflatable Bouyant Apparatus

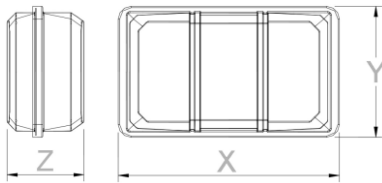


Tow Force	2 knot		3 knot	
	1.12kN	252lbf	2.18kN	490lbf

Authorities
USCG

Container: LPC MK12 S2

Equipment Pack: IBA

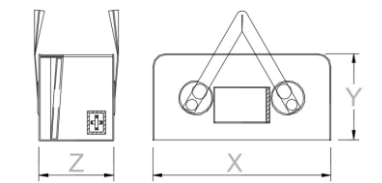


Raft	X	Y	Z	Weight
	860mm	510mm	300mm	39.5kg
	2' 9 3/4"	1' 9"	11 3/4"	87lbs

Max Stowage Height	Painter Length
6m	12m
20'	39'

Container: Valise Size 3

Equipment Pack: IBA



Raft	X	Y	Z	Weight
	780mm	420mm	360mm	34.9kg
	2' 6 3/4"	1' 4 1/2"	1' 2 1/4"	77lbs

Max Stowage Height	Painter Length
6m	12m
20'	39'

Dimensions and weight +/- 5%
Survitec Group reserves the right to change specification without notice.
For installation, add minimum +10mm for clearance to dimensions of the container.