



 **Husqvarna**<sup>®</sup>



TS 248XD

EN Operator's manual  
ES-MX Manual de usuario

2-37  
38-76

---

## Contents

---

|                      |    |   |    |
|----------------------|----|---|----|
| Introduction.....    | 2  | Transportation, storage and disposal..... | 35 |
| Safety.....          | 5  | Storage.....                              | 35 |
| Assembly.....        | 10 | Disposal.....                             | 36 |
| Operation.....       | 12 | Technical data.....                       | 36 |
| Maintenance.....     | 16 | Service.....                              | 37 |
| Troubleshooting..... | 30 | Appendix .....                            | 77 |

---

## Introduction

---

### Pre-delivery inspection and product numbers

---

**Note:** A pre-delivery inspection has been done of this product. Make sure that you receive a signed copy of the pre-delivery inspection document from your dealer.

---

|  |  |
|--|--|
| Service agent contact information:   |  |
| This operator's manual belongs to product with product number / serial number: |  |
| /  |  |
| Engine:  |  |
| Transmission:  |  |

### Product description

This is a lawn tractor with the cutting deck installed between the front and rear axles. It has a 4-stroke engine that uses gasoline.

Optional accessories:

- Grass catcher
- Mulch plug

### Intended use

This product is only used to cut grass in private gardens and on private garden slopes with not more than 15° slope. It is not to be used in public parks, sports grounds, in farming or in forestry. Only use the product with accessories that are approved by the manufacturer.

To use the product differently is incorrect use. It will void your warranty and reject the responsibility for damage to the user of third parties on the part of the manufacturer.

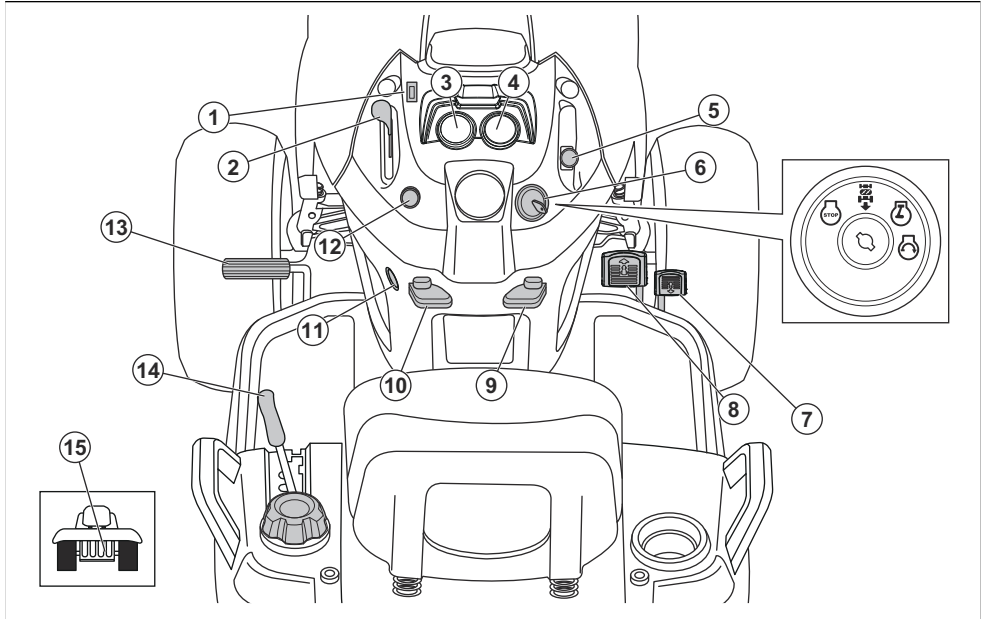
Refer to local directives for the operation of lawn mowers.

### Support / Help

If you require assistance or have questions concerning the application, operation, maintenance or parts for your product:

- Visit our website: [www.husqvarna.com](http://www.husqvarna.com)
- Call Us Toll Free: 1-800-487-5951

## Product overview



1. Light switch
2. Throttle control
3. Hour meter
4. Ampere meter
5. Attachment clutch control
6. Ignition switch
7. Reverse drive pedal
8. Forward drive pedal
9. Cruise control lever
10. Parking brake lever
11. 12V power outlet
12. Choke control
13. Brake pedal
14. Attachment lift lever
15. Freewheel lever



Read the operator's manual carefully and make sure that you understand the instructions before you use this product.

**R**

Reverse.

**N**

Neutral.

**H**

High.

**L**

Low.



Choke.

## Symbols on the product



Warning! Be careful and use the product correctly. This product can cause serious injury or death to the operator or others.



CAUTION: Incorrect use can result in damage to the product or personal property.



Fast.



Slow.



Ignition switch.



Engine off.



Engine start.



Engine on.



Differential lock.



Brake and clutch pedal.



Parking brake.



Cutting height.



Cutting deck lift.



Reverse operation system (ROS).



Reverse.



Forward.



Lights on.



Battery.



The blades are disengaged.



The blades are engaged.



Dangerous, keep hands and feet away from this area.



Fuel.



Reserve fuel valve operation.



Ear protection recommended.



Keep the area clear when you move forward.



Do not use the product if persons, especially children, or animals, are near.



Slope risk. Do not operate the product straight up a slope that is more than 15°.



Slope risk. Do not operate horizontally on a slope.



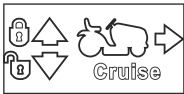
Slope risk. Do not operate the product straight down a slope that is more than 15°.



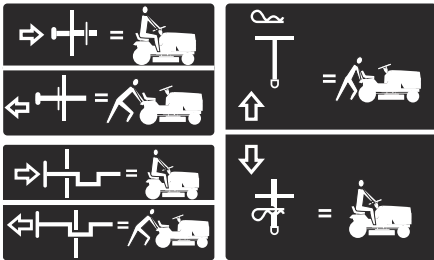
The hot surfaces symbol show a risk, which, if not obeyed, can cause death, serious injury and/or damage.



The fire symbol shows a risk, which, if not obeyed, can cause death, serious injury and/or damage.



Cruise control.



Freewheel (automatic models only).

## Hour meter

The hour meter shows how many hours the engine has been in operation. Refer to *Product overview on page 3* for the position of the hour meter.

Each 50 hours an oil level symbol will show for 2 hours. Refer to *To change the engine oil on page 28*.

To manually reset the hour meter, turn the ignition key to the on position and then to the "STOP" position 5 times.

**Note:** The hour meter only stops when the ignition key is in the "STOP" position. Make sure that the ignition key stays in the "STOP" position when the engine has stopped.

## Product liability

As referred to in the product liability laws, we are not liable for damages that our product causes if:

- the product is incorrectly repaired.
- the product is repaired with parts that are not from the manufacturer or not approved by the manufacturer.
- the product has an accessory that is not from the manufacturer or not approved by the manufacturer.
- the product is not repaired at an approved service center or by an approved authority.

## Safety

### Safety definitions

Warnings, cautions and notes are used to point out specially important parts of the manual.



**WARNING:** Used if there is a risk of injury or death for the operator or bystanders if the instructions in the manual are not obeyed.



**CAUTION:** Used if there is a risk of damage to the product, other materials or the adjacent area if the instructions in the manual are not obeyed.

**Note:** Used to give more information that is necessary in a given situation.

## Safe Operation Practices for Ride-On Mowers

---



**WARNING:** This product is capable of amputating hands and feet and throwing objects. Failure to observe the following safety instructions could result in serious injury or death.

---



**WARNING:** In order to prevent accidental starting when setting up, transporting, adjusting or making repairs, always disconnect spark plug wire and place wire where it cannot contact spark plug.

---



**WARNING:** Do not coast down a hill in neutral, you may lose control of the tractor.

---



**WARNING:** Tow only attachments that are recommended by and comply with specifications of the manufacturer of your tractor. Use common sense when towing. Operate only at the lowest possible speed when on a slope. Too heavy of a load, while on a slope, is dangerous. Tires can lose traction with the ground and cause you to lose control of your tractor.

---



**WARNING:** Engine exhaust, some of its constituents, and certain vehicle components contain or emit chemicals known to the State of California to cause cancer and birth defects or other reproductive harm.

---



**WARNING:** Battery posts, terminals and related accessories contain lead and lead compounds, chemicals known to the State of California to cause cancer and birth defects or other reproductive harm. Wash hands after handling.

---

### I. CHILDREN

---



**WARNING:** CHILDREN CAN BE INJURED BY THIS EQUIPMENT. The American Academy of Pediatrics recommends that children be a minimum of 12 years of age before operating a pedestrian controlled lawn mower and minimum of 16 years of age before operating a riding lawn mower.

---



**WARNING:** CHILDREN CAN BE SERIOUSLY INJURED OR KILLED BY THIS EQUIPMENT. Carefully read and follow all the safety instructions below.

---

Tragic accidents can occur if the operator is not alert to the presence of children. Children are often attracted to the machine and the mowing activity. Never assume that children will remain where you last saw them.

- Keep children out of the mowing area and in the watchful care of a responsible adult other than the operator.
- Be alert and turn machine off if a children enters the area.
- Before and while backing, look behind and down for small children.
- Never carry children, even with the blades shut off. They may fall off and be seriously injured or interfere with safe machine operation. Children who have been given rides in the past may suddenly appear in the mowing area for another ride and be run over or backed over by the machine.
- Never allow children to operate the machine.
- Use extreme caution when approaching blind corners, shrubs, trees, or other objects that may block your view of a child.

### II. GENERAL OPERATION

- Read, understand, and follow all instructions on the machine and in the manual before starting.
- Do not put hands or feet near rotating parts or under the machine. Keep clear of the discharge opening at all times.
- Only allow responsible adults, who are familiar with the instructions, to operate the machine.
- Clear the area of objects such as rocks, toys, wire, etc., which could be picked up and thrown by the blades.
- Ensure the area is clear bystanders before operating. Stop machine if anyone enters the area.
- Never carry passengers.
- Do not mow in reverse unless absolutely necessary. Always look down and behind before and while backing.
- Never direct discharged material toward anyone. Avoid discharging material against a wall or obstruction. Material may ricochet back toward operator. Stop the blades when crossing gravel surfaces.
- Do not operate machine without the entire grass catcher, discharge chute, or other safety devices in place and working.
- Slow down before turning.
- Never leave a running machine unattended. Always turn off blades, set parking blade, and stop engine before dismounting.
- Disengage blades when not mowing. Shut off engine and wait for all parts to come to complete stop

before cleaning the machine, removing the grass catcher, or unclogging the discharge chute.

- Operate machine only in daylight or good artificial light.
- Do not operate the machine while under the influence of alcohol or drugs.
- Watch for traffic when operating near or crossing roadways.
- Use extreme caution when loading or unloading the machine into a trailer or truck.
- Always wear eye protection when operating machine.
- Use ear protectors to avoid damage to hearing.
- Data indicates that operators, age 60 years and above, are involved in a large percentage of riding mower-related injuries. These operators should evaluate their ability to operate the riding mower safely enough to protect themselves and others from serious injury.
- Follow the manufacturer's recommendation for wheel weights or counterweights.
- Keep machine free of grass, leaves or other debris build-up which can touch hot exhaust/engine parts and burn. Do not allow the mower deck to plow leaves or other debris which can cause build-up to occur. Clean any oil or fuel spillage before operating or storing the machine. Allow machine to cool before storage.

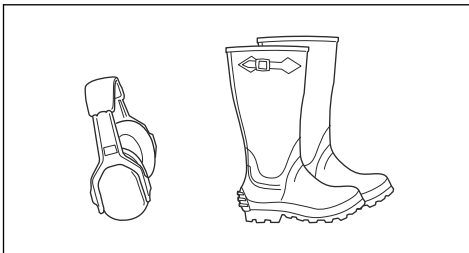
## Safety instructions for operation

### Personal protective equipment



**WARNING:** Read the warning instructions that follow before you use the product.

- Use approved personal protective equipment when you use the product. Personal protective equipment cannot fully prevent injury but it decreases the degree of injury if an accident does occur. Let your dealer help you select the right equipment.
- Always wear approved hearing protection. Long term exposure to noise can result in permanent hearing impairment.
- Always wear protective shoes or protective boots. Steel toes are recommended. Do not use the product barefoot.



- Wear gloves when necessary, for example when you attach, examine or clean the cutting equipment.
- Do not wear loose-fitting clothing, jewelry or other items that can get caught in moving parts.
- Keep first aid equipment and fire extinguisher close at hand.

### Safety devices on the product



**WARNING:** Read the warning instructions that follow before you use the product.

- Do not use a product with defective safety devices. Do a check of the safety devices regularly. If the safety devices are defective, speak to your Husqvarna service agent.
- Do not make modifications on safety devices. Do not use the product if protective plates, protective covers, safety switches or other protective devices are not attached or are defective.

### To do a check of the operator presence control (OPC)



**WARNING:** Do not operate the product if the operator presence control (OPC) is defective. If the OPC is defective, repair it immediately. Speak to an approved service agent.

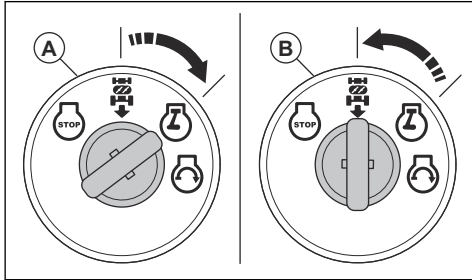
- Make sure that the engine cannot start unless the brake pedal is pushed down fully and the cutting deck is disengaged.
- Make sure that the engine stops when the operator goes away from the seat when the parking brake is disengaged.
- Make sure that the engine stops when the operator goes away from the seat when the cutting deck is engaged.
- Make sure that the clutch control for the cutting deck cannot operate when the operator is away from the seat.

### To do a check of the reverse operation system (ROS)

If the reverse operation system does not operate correctly, repair the product immediately. Speak to an approved service agent.

1. Start the product. Refer to *To start the product on page 12*.
2. Engage the cutting deck. Refer to *To engage and disengage the cutting deck on page 15*.

3. Make sure that the engine stops when you try to reverse with the ignition key is in the on position (A).



4. Start the product and engage the cutting deck again.
5. Turn the ignition switch to the ROS on position (B).
6. Make sure that the engine does not stop when you reverse with the ignition key in the ROS on position.

#### To do a check of the brake



**WARNING:** Brake maintenance is necessary if the product uses more than 5 ft (1.5 m) to stop at the highest speed in the highest gear on a level, dry surface.

1. Park the product on a level, dry concrete or paved surface. Push the brake pedal down fully and engage the parking brake.
2. Set the freewheel control to the "transmission disengaged" position to disengage the transmission.
3. The rear wheels must lock and skid when you try to manually push the product forward. If the rear wheels rotate, then brake maintenance is necessary.
4. Speak to an approved service center.

#### Parking brake



**WARNING:** If the parking brake does not work, the product can start to move and cause injury or damage. Make sure that the parking brake is regularly examined and adjusted.

Refer to *To do a check of the brake on page 8*.

#### Muffler

The muffler keeps the noise levels to a minimum and sends the exhaust fumes away from the operator.

Do not use the product if the muffler is missing or defective. A defective muffler increases the noise level and the risk of fire.



**WARNING:** The muffler becomes very hot during and after use and when the engine operates at idle speed. Be careful

near flammable materials and/or fumes to prevent fire.

#### To do a check of the muffler

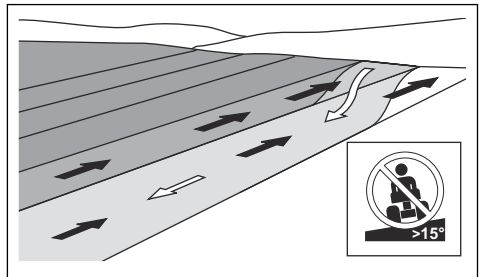
- Examine the muffler regularly to make sure that it is attached correctly and not damaged.

#### To cut grass on slopes



**WARNING:** Read the warning instructions that follow before you use the product.

- To cut grass on slopes increases the risk that you can not control the product and that it overturns. This can cause injury or death. It is necessary to cut the grass carefully on all slopes. If you cannot reverse up a slope or if you do not feel safe, do not cut it.
- Remove stones, branches and other obstacles.
- Cut up and down the slope, not from side to side.
- Do not move down a slope with the cutting deck lifted.
- Do not operate the product on ground that slopes more than 15°.



- Do not start or stop on a slope.
- Move smoothly and slowly on slopes.
- Do not make sudden changes in speed or direction.
- Do not turn more than necessary. Turn slowly and gradually when you move down a slope. Move at low speed. Turn the wheel carefully.
- Look out for and do not move across furrows, holes and bumps. There is a higher risk that the product overturns on ground that is not flat. Long grass can hide obstacles.
- Do not cut grass near edges, ditches or banks. The product can suddenly overturn if a wheel moves across the edge of a steep slope or a ditch, or if an edge gives way.
- Do not mow wet grass. It is slippery, and tires can lose their grip so that the product skids.
- Do not put your foot on the ground to try to make the product more stable.
- Move very carefully if an accessory or other object is attached that can make the product less stable.



## Fuel safety



**WARNING:** Read the warning instructions that follow before you use the product.

- Fuel is flammable and the fumes are explosive. Be careful with fuel to prevent injury, fire and explosion.
- Do not breathe in the fuel fumes. The fuel fumes are poisonous and can cause injury. Make sure that the airflow is sufficient.
- Do not remove the fuel tank cap or fill the fuel tank when the engine is on.
- Let the engine become cool before you refuel.
- Do not fill fuel in an indoor area. Not sufficient airflow can cause injury or death because of asphyxiation or carbon monoxide.
- Do not smoke near the fuel or the engine.
- Do not put hot objects near the fuel or the engine.
- Do not fill fuel near sparks or flames.
- Before you refuel, open the fuel tank cap slowly and release the pressure carefully.
- Fuel on your skin can cause injury. If you get fuel on your skin, use soap and water to remove the fuel.
- If you spill fuel on your clothing, change clothing immediately.
- Do not fill the fuel tank fully. Heat causes the fuel to expand. Keep a space at the top of the fuel tank.
- Tighten the fuel tank cap fully. If the fuel tank cap is not tightened, there is a risk of fire.
- Before you start the product, move the product to a minimum of 3 m/10 ft from where you refueled.
- Do not start the product if there is fuel or engine oil on the product. Remove the unwanted fuel and engine oil and let the product dry before you start the engine.
- Examine the engine for leaks regularly. If there are leaks in the fuel system, do not start the engine until the leaks are repaired.
- Do not use your fingers to examine the engine for leaks.
- Keep fuel in approved containers only.
- When the product and fuel is in storage, make sure that fuel and fuel fumes cannot cause damage.
- Drain the fuel in an approved container outdoors and away from sparks and flames.

## Battery safety



**WARNING:** A damaged battery can cause an explosion and cause injury. If the battery has a deformation or is damaged, speak to an approved Husqvarna service agent.



**WARNING:** Read the warning instructions that follow before you use the product.

- Use protective glasses when you are near batteries.
- Do not wear watches, jewelry or other metal objects near the battery.
- Keep the battery out of reach for children.
- Charge the battery in a space with good airflow.
- Keep flammable materials at a minimum clearance of 1 m when you charge the battery.
- Discard replaced batteries. See *Disposal on page 36*.
- Explosive gases can come from the battery. Do not smoke near the battery. Keep the battery away from open flames and sparks.

## Transport safety

- Use an approved transport vehicle for transportation of the product.
- A markets national or local regulations can set limit to the transportation of the product.
- The operator of the transport vehicle is responsible to attach the product safely during transport. Refer to *Transportation on page 35*.

## Safety instructions for maintenance



**WARNING:** The product is heavy and can cause injury or damage to property or the adjacent area. Do not do maintenance on the engine or the cutting deck without these conditions:

- The engine is off.
- The product is parked on a level surface.
- The parking brake is applied.
- The ignition key is removed.
- The cutting deck is disengaged.
- The ignition cables are removed from the plugs.



**WARNING:** The exhaust fumes from the engine contain carbon monoxide, an odorless, poisonous and very dangerous gas. Do not run the product in closed spaces or spaces with not sufficient air flow.



**WARNING:** Read the warning instructions that follow before you do maintenance on the product.

- For best performance and safety, do maintenance on the product regularly as given in the maintenance schedule. Refer to *Maintenance schedule on page 17*.

- Electrical shocks can cause injuries. Do not touch the cables when the engine is on. Do not do a function test on the ignition system with your fingers.
- Do not start the engine if the protective covers are removed. There is a high risk of injury caused by moving or hot parts.
- Let the product become cool before you do maintenance near the engine.
- The blades are sharp and can cause cuts. Wind protection around the blades or use protective gloves when you do work on the blades.
- Always put the cutting deck in servicing position to clean it. Do not park the product near the edge of a ditch or slope to get access to the cutting deck.



**CAUTION:** Read the caution instructions that follow before you use the product.

- Do not turn over the engine if the spark plug or ignition cable is removed.
- Make sure that all nuts and bolts are tightened correctly and that the equipment is in good condition.
- Do not change the adjustment of governors. If the engine speed is too high, the product components can become damaged.
- The product is approved only with the equipment supplied or recommended by the manufacturer.

## Assembly

### Introduction



**WARNING:** Read and understand the safety chapter before you assemble the product.



Hose connector, 1 pcs



Hex bolt, 2 pcs



Nuts, 2 pcs

### To remove the product from the carton

1. Remove loose parts included with the product.
2. Remove the end panels.
3. Remove the side panels and put them on a flat surface.
4. Remove all package materials.
5. Remove the product from the carton and make sure no loose parts are left in the carton.

### Assembly tools

- 1/2" (13 mm) wrench
- 7/16" (11 mm) wrenches (2 pieces)
- Tire pressure gauge
- Knife
- Pliers
- Socket wrench set (optional)

### Loose parts that need assembly

The product is not fully assembled. The parts that follow are loose when the product is purchased.



Key, 2 pcs



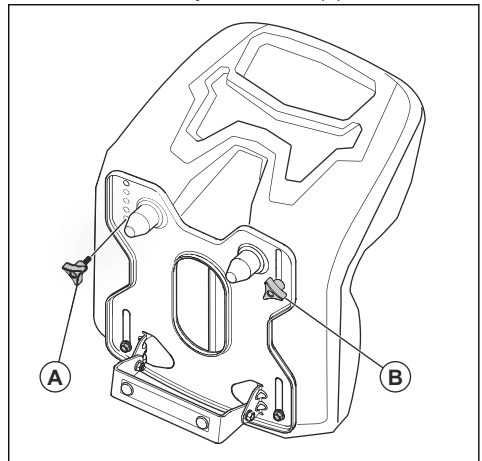
Slope sheet, 1 pcs



Oil drain tube, 1 pcs

### To adjust the seat

1. Lift the seat up and remove the seat adjustment knob (A).
2. Loosen the seat adjustment knob (B).



3. Move the seat until it is in a position where you can push the brake and clutch pedals down.

4. Line up the hole in the seat plate for seat adjustment knob (A) with the hole in the seat.
5. Install and tighten the seat adjustment knob (A).
6. Tighten the seat adjustment knob (B).

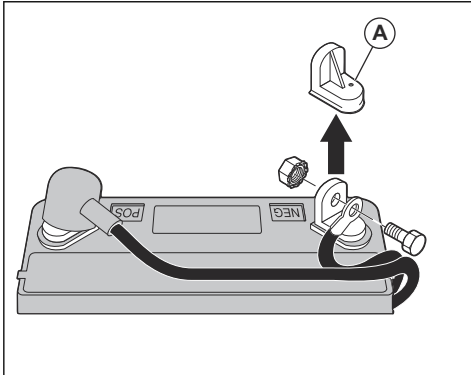
## To connect the battery



**WARNING:** Risk of electrical shock and burn injuries. Do not use metal wristbands or other metal accessories. Metal items that touch the battery terminals can cause burn injuries, electrical shock, and short circuit of the battery.

**Note:** If it is after the year and month that is written on the battery label, charge the battery. Charge the battery for a minimum of 1 hour at 6–10 A.

1. Find the battery location below the seat or the engine cover.
2. Lift the seat pan or the engine cover to the raised position.
3. Remove the 2 terminal caps (A) and discard them.



4. Connect the red battery cable to the positive (+) terminal and tighten the bolt and nut as shown. Move the terminal cover on the terminal.



**WARNING:** Risk of sparks. The red battery cable must be connected to the positive terminal before the black battery cable is connected to the negative terminal. This is to prevent sparks and accidental grounding.

5. Connect the black cable to the negative (-) terminal and tighten the bolt and nut fully.
6. Apply petroleum jelly on the battery cables to prevent corrosion.

7. Lower the seat pan or the engine cover.

## To move the product off the skid

1. Lift the cutting deck to its highest position. Use the lift lever.
2. Push the clutch/brake pedal down to release the parking brake.
3. Put the freewheel control in the "Transmission disengaged" position, refer to *To put the product in freewheel mode on page 16*.
4. Push the product forward off the skid.
5. Remove the strap that holds the deflector protection up against the product.

## To do a check after the assembly

- Make sure that all assembly instructions are completed.
- Make sure that no remaining parts are in the package.
- Make sure that the battery is prepared and charged correctly.
- Make sure that the bolts for the seat are tightened and that the seat is adjusted correctly.
- Make sure that the tires are correctly inflated.
- For best cutting results, make sure that the cutting deck is balanced side to side and front to rear. Make sure that the tires are correctly inflated for a balanced cutting deck.
- Examine the cutting deck and the drive belts. Make sure that the drive belts are installed correctly around the pulleys and inner part of all belt keepers.
- Examine the electrical wires. Make sure that all wires and connections are safe.
- Make sure that the freewheel control is in the "Transmission engaged" position. Refer to *To put the product in freewheel mode on page 16*.
- Make sure that the engine oil is at the correct level.
- Make sure that the tank is filled with the correct type of fuel.
- Make sure that you know the location and function of all controls.
- Make sure that the brake system is in safe to operate condition.
- Make sure that the Operator Presence Control (OPC) and the Reverse Operation System (ROS) operate correctly. Refer to *To do a check of the operator presence control (OPC) on page 7* and *To do a check of the reverse operation system (ROS) on page 7*.
- Remove the air from the transmission before first use. Refer to *To remove the air from the transmission on page 29*.

# Operation

## Introduction



**WARNING:** Read and understand the safety chapter before you use the product.

## To fill fuel



**WARNING:** Gasoline is very flammable. Be careful and refuel outdoors. Refer to *Fuel safety on page 9*.



**CAUTION:** Always use correct fuel type. Incorrect fuel type causes damage to the product.

- Use gasoline of the correct type. Refer to *Technical data on page 36*. For more information about the fuel, refer to the engine manual supplied by the engine manufacturer.
- Do a check of the fuel level before each use and refuel if necessary.
- Do not fully fill the fuel tank. Keep a space of a minimum 1 in.

## To start the product

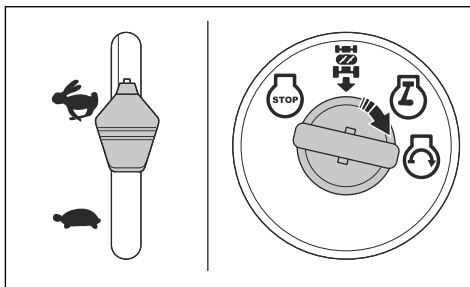
### To do before you start the product



**WARNING:** Before you operate the product, carefully read and understand the safety instructions and the operation instructions.

1. Do a check of the engine oil level. Refer to *To do a check of the engine oil level on page 27*.
2. Fill the fuel tank with fuel. Refer to *To fill fuel on page 12*.
3. Disengage the freewheel mode. Refer to *To put the product in freewheel mode on page 16*.
4. Sit in the seat in operation position.
5. Engage the parking brake. Refer to *To engage and disengage the parking brake on page 14*.
6. Make sure that the cutting deck is disengaged. Refer to *To engage and disengage the cutting deck on page 15*.

## To start a warm engine



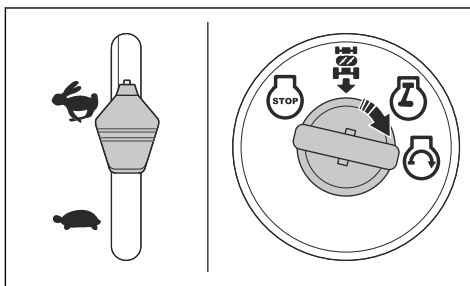
1. Sit on the seat.
2. Make sure that the cutting deck is disengaged. Refer to *To engage and disengage the cutting deck on page 15*.
3. Put the cutting deck in transport position. Refer to *To set the cutting deck in transport position or mow position on page 13*.
4. Move the throttle control to the fast position.
5. Push down on the brake pedal fully and hold it down.
6. Put the ignition key into the ignition.
7. Turn the ignition key to the "START" position and release the ignition key when the engine starts.



**CAUTION:** Do not operate the starter continuously for more than 15 seconds for each minute.

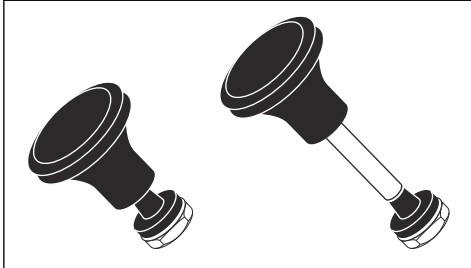
8. If the temperature is low, let the engine become warm before you start to cut grass.

## To start a cold engine



1. Sit on the seat.
2. Make sure that the cutting deck is disengaged. Refer to *To engage and disengage the cutting deck on page 15*.

3. Put the cutting deck in transport position. Refer to *To set the cutting deck in transport position or mow position on page 13*.
4. Move the throttle control to the middle throttle position.
5. Pull out the choke control.



6. Push down on the brake pedal fully and hold it down.
7. Put the ignition key into the ignition.
8. Turn the ignition key to the "START" position and release the ignition key when the engine starts.



**CAUTION:** Do not operate the starter continuously for more than 15 seconds for each minute.

9. When the engine starts, move the throttle control to the fast position to warm up the engine. If the temperature is low, some minutes is necessary for the engine to get warm.



**CAUTION:** If the ambient temperature is less than 40° F (4° C), you must let the engine operate 1 minute at idle speed before you operate the product. This is to let the transmission warm up. Make sure that the brake pedal is fully released.

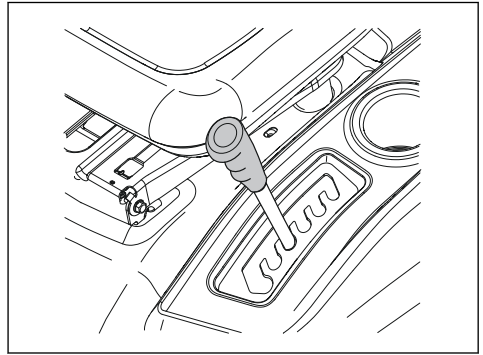
10. Push in the choke control.

## To set the cutting deck in transport position or mow position

The cutting deck must be in transport position during transportation.

- To set the product in transport position, pull the cutting height lever in the direction of the seat and put it in the highest cutting height position.
- To set the product in mow position, set the correct cutting height. Refer to *To set the cutting height on page 13*.

## To set the cutting height

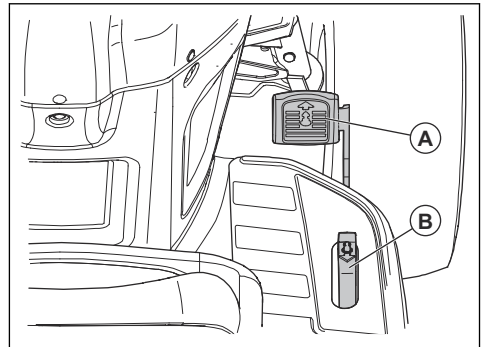


- Pull the lift lever in the direction of the seat and put it in 1 of the notches for the correct cutting height.

## To move forward and rearward

The direction and speed of movement is controlled by the forward and reverse drive pedals.

1. Start the engine.
2. Disengage the parking brake. Refer to *To engage and disengage the parking brake on page 14*.
3. To start movement, slowly push down on the forward drive pedal (A) or the reverse drive pedal (B).

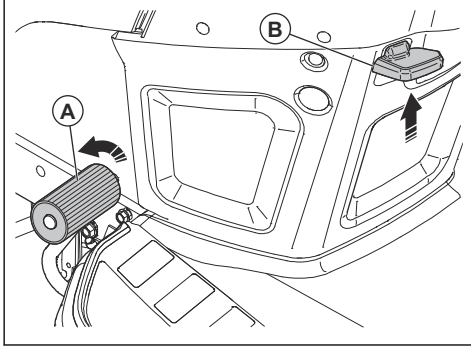


**Note:** The forward and reverse drive pedals go back to neutral position when they are not pushed down.

4. Push down more on the forward drive pedal or the reverse drive pedal to increase the speed.

## To engage and disengage the parking brake

1. To engage the parking brake, push down the brake pedal (A) fully to the lowest position.



2. With the brake pedal pushed down, pull up the parking brake lever (B).
3. Release the brake pedal.
4. Release the parking brake lever.

**Note:** Make sure that the parking brake holds the product safely.

5. To release the parking brake, push down the brake pedal.

## To stop the product

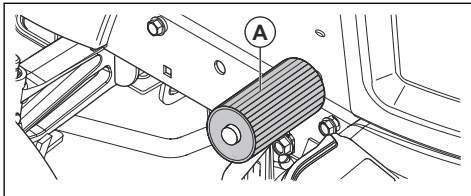


**WARNING:** Always stop the product, engage the parking brake and remove the ignition key before you go away from the product.



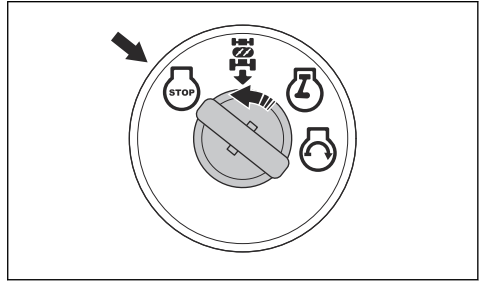
**CAUTION:** The exhaust gas from the warm engine can cause burn damage to the grass. To prevent burn damage, to the grass, always stop the engine when you stop the product on grass areas.

1. Push down on the brake pedal (A) fully until the product stops fully.



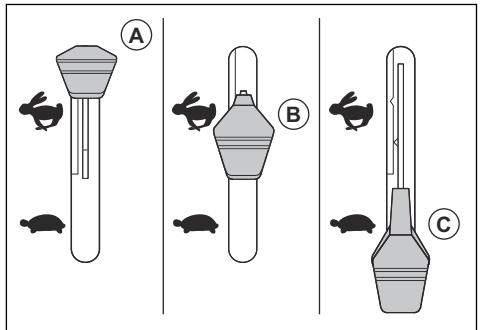
2. Disengage the cutting deck. Refer to *To engage and disengage the cutting deck* on page 15.

3. Put the throttle control in the slow position and let the engine operate at idle speed for some minutes.
4. Put the cutting deck in the transport position. Refer to *To set the cutting deck in transport position or mow position* on page 13.
5. Turn the ignition key to the "STOP" position and remove the ignition key from the ignition.



## To use the throttle control

The throttle control adjusts the engine speed and the speed of the blades in the cutting deck.

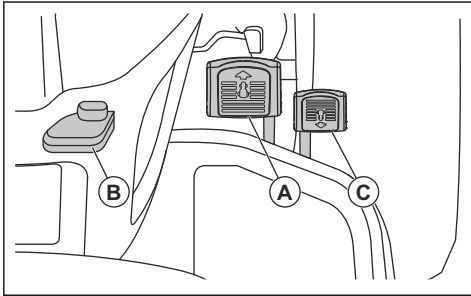


- Put the throttle control in the choke position (A) when you start a cold engine. Refer to *To start a cold engine* on page 12.
- Put the throttle control in the fast position (B) to operate the engine at full speed. Always have the throttle control in the fast position when you cut grass.
- Put the throttle control in the slow position (C) to operate the engine at idle speed.

## To use the cruise control

Only use the cruise control for forward travel on smooth, straight surfaces. The cruise control will disengage automatically if the conditions for cruise control become unsatisfactory.

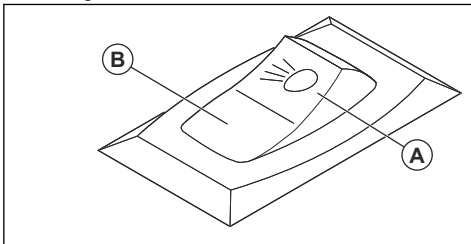
1. Push the forward drive pedal (A) down. Keep the forward drive pedal in a position that gives the correct speed for the terrain.



2. Pull the cruise control lever (B) up and hold it while you release the forward drive pedal.
3. Release the cruise control lever to engage the cruise control.
4. Push the brake pedal (C) or tap on the forward drive pedal to disengage the cruise control.

### To use the headlight

- Push the power switch to position (A) to make the headlight come on.



- Push the power switch to position (B) to make the headlight go off.

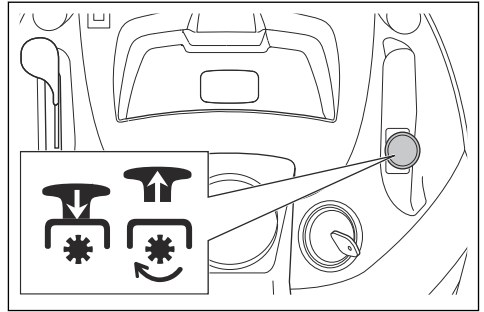
### To engage and disengage the cutting deck

The product has an operator presence control (OPC). When you go away from the seat with the engine on and the cutting deck engaged, the engine stops.

Stay fully and in the center of the seat to make sure that the engine operates correctly and does not stop on rough terrain or hills.

1. Set the correct cutting height. Refer to *To set the cutting height on page 13*.

2. Move the attachment clutch control.



- a) Pull the attachment clutch control upwards to engage the cutting deck.
- b) Push the attachment clutch control down to disengage the cutting deck.

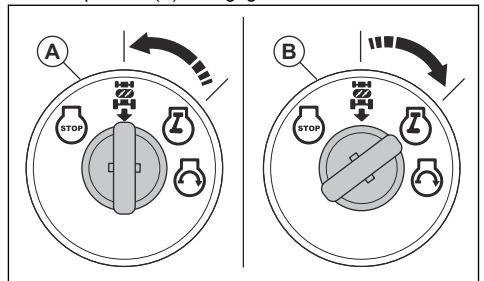
### To use the reverse operation system (ROS)

**Note:** If you try to go rearward with the product when the cutting deck is engaged, the engine stops immediately. Engage the ROS to go rearward with the product when the cutting deck is engaged.



**WARNING:** Before and while you operate the product rearward, look down and behind the product for the safety of others.

1. Turn the ignition key counterclockwise to the ROS "ON" position (A) to engage the ROS.

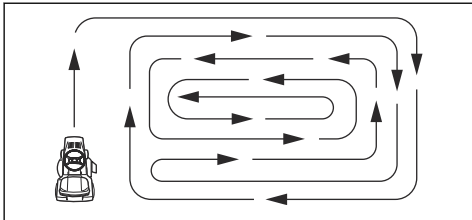


2. Slowly push down the reverse drive pedal to start movement.
3. Turn the ignition key clockwise to the engine "ON" position (B) to disengage the ROS.

### To get a good cutting result

- For best performance, do maintenance on the product regularly as given in the maintenance schedule. Refer to *Maintenance schedule on page 17*.

- Do not cut a wet lawn. Wet grass can give a bad cutting result.
- Do not use tire chains when you attach the cutting deck to the product.
- Make sure that the cutting deck is level. Refer to *To adjust the parallelism of the cutting deck on page 25.*
- If the grass is high, start with a high cutting height and decrease it gradually.
- Move the product forward at low speed if the grass is high and thick.
- Use full throttle when you cut the grass.
- Cut the grass in an irregular pattern.
- Use the left side of the cutting deck when you cut near trees, bushes or paths. The blade cuts approximately 15 mm in from the side of the cutting deck.
- When you cut large areas, move the product to the right during 1 or 2 turns around the work area. This procedure will keep the grass discharge away from shrubs, fences and driveways. After approximately 2 turns around the work area, cut in the opposite direction.



- To get the best cutting result, cut the grass frequently.

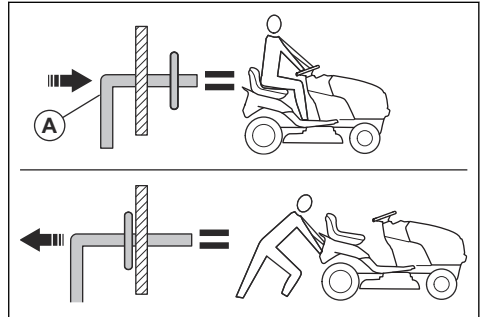
## To put the product in freewheel mode

If it is necessary to move or tow the product without aid from the engine, you must put the product in freewheel mode.



**WARNING:** Do not put the product in freewheel mode on a slope.

- Push in the freewheel control lever (A) to put the product in freewheel mode.



- Pull out the freewheel control lever to operate the product with the engine.

## Maintenance

### Introduction



**WARNING:** Read and understand the safety chapter before you do maintenance on the product.



## Maintenance schedule

| Maintenance schedule       |  | Before each use | At intervals of 8 hours | At intervals of 25 hours | At intervals of 50 hours | At intervals of 100 hours | Each season | Before storage |
|----------------------------|--|-----------------|-------------------------|--------------------------|--------------------------|---------------------------|-------------|----------------|
| Product                    | Do a check of the brake function.  | X               | X                       |                          |                          |                           |             |                |
|                            | Do a check of tire pressure.   | X               | X                       |                          |                          |                           |             |                |
|                            | Do a check of the operator presence control (OPC).                                     | X               |                         |                          |                          |                           |             |                |
|                            | Do a check of the reverse operation system (ROS).                                      | X               |                         |                          |                          |                           |             |                |
|                            | Do a check for loose fasteners.  | X               |                         |                          |                          | X                         |             | X              |
|                            | Examine the blades for wear and damage.  |                 |                         | X <sup>2</sup>           |                          |                           |             |                |
|                            | Lubricate the product. Refer to <i>Lubrication schedule on page 18</i> .               |                 |                         | X                        |                          |                           |             | X              |
|                            | Do a check of the battery level.   |                 |                         | X                        |                          |                           |             |                |
|                            | Clean the battery and the terminals.   |                 |                         | X                        |                          |                           |             | X              |
|                            | Clean pieces off the steering plate. Refer to <i>To clean the product on page 19</i> . |                 |                         | X                        |                          |                           |             |                |
|                            | Do a check of the trans-axle cooling fan.  |                 |                         | X                        |                          |                           |             |                |
|                            | Make sure that the cutting deck is level.  |                 |                         |                          |                          | X                         |             |                |
| Do a check of the V-belts. |  |                 |                         |                          |                          | X                         |             |                |

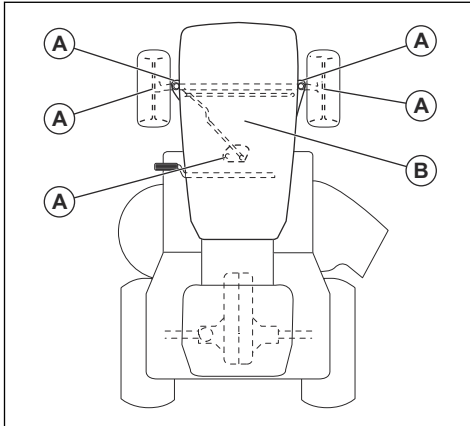
| Maintenance schedule   |   | Before each use | At intervals of 8 hours | At intervals of 25 hours | At intervals of 50 hours | At intervals of 100 hours | Each season | Before storage |
|--|---|-----------------|-------------------------|--------------------------|--------------------------|---------------------------|-------------|----------------|
| Engine   | Do a check of the engine oil level.                     | X               | X                       |                          |                          |                           |             |                |
|  | Change the engine oil (models with oil filter).         |                 |                         |                          | X <sup>1</sup>           |                           |             | X              |
|  | Change the engine oil (models without oil filter).      |                 |                         | X <sup>1</sup>           |                          |                           |             | X              |
|  | Clean the air filter.                                   |                 |                         | X <sup>3</sup>           |                          |                           |             |                |
|  | Clean the air screen.                                   |                 |                         | X <sup>3</sup>           |                          |                           |             |                |
|  | Do an inspection of the muffler and the spark arrester. |                 |                         |                          | X                        |                           |             |                |
|  | Replace the oil filter (if it is equipped).             |                 |                         |                          |                          | X <sup>1</sup>            | X           |                |
|  | Clean the engine cooling fins.                          |                 |                         |                          |                          | X <sup>3</sup>            |             |                |
|  | Replace the spark plug.                                 |                 |                         |                          |                          | X                         | X           |                |
|  | Replace the paper cartridge of the air filter.          |                 |                         |                          |                          | X <sup>3</sup>            |             |                |
|  | Replace the fuel filter                                 |                 |                         |                          |                          |                           | X           |                |
| Do a check of the muffler. Refer to <i>To do a check of the muffler on page 8.</i> |   |                 |                         |                          | X                        |                           |             |                |

## Lubrication schedule



**CAUTION:** Do not lubricate the pivot points that have special nylon bearings. Tacky lubricants can attach dirt. The dirt decreases the life of the special nylon bearings. If it is necessary to lubricate the nylon bearings, use only a small quantity of dry type lubricant.

- <sup>1</sup> Do more frequently if you operate with a heavy load, in high ambient temperatures, or in dirty conditions.
- <sup>1</sup> Do more frequently if you operate with a heavy load, in high ambient temperatures, or in dirty conditions.
- <sup>3</sup> Do more frequently if you operate with in dirty conditions.
- <sup>3</sup> Do more frequently if you operate with in dirty conditions.
- <sup>1</sup> Do more frequently if you operate with a heavy load, in high ambient temperatures, or in dirty conditions.
- <sup>3</sup> Do more frequently if you operate with in dirty conditions.
- <sup>3</sup> Do more frequently if you operate with in dirty conditions.



A. General lubrication. Lubricate the spindle grease connection, front wheel bearing, gear teeth of the steering part.

B. Engine lubrication. Refer to *To lubricate the engine* on page 27.

## Tractor

### To clean the product

Do not use a garden hose or a pressure washer to clean the surface except for the washout port. Keep water out of the engine and transmission. Water in the engine or transmission can decrease the life of the product. Use compressed air or a leaf blower to remove grass, leaves and litter.

- Clean all unwanted material from the engine, battery, seat and other parts of the product.
- Clean contamination from the steering plate. Contamination limits the movement of the clutch/brake pedal shaft, causes the belt to loosen and decreases forward movement.



**CAUTION:** Avoid all pinch points and movable parts.

- Keep the surfaces and wheels free of all gasoline, oil, and so on.
- Use automotive type wax to prevent damage to the surfaces.

### To use the deck washout port



**WARNING:** Install bolts and locknuts in all holes in the mower.

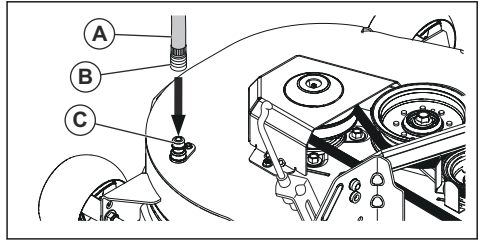


**WARNING:** Replace the broken or missing washout port immediately before you use the mower.



**WARNING:** A broken or missing washout port causes injury to you or others by thrown objects if they touch the blade.

The product has a washout port as a part of the deck washout system. Use it after each operation.



1. Move the product to a level, clear area near a garden hose (A) connected to a water outlet.



**CAUTION:** Make sure the discharge chute is far away from buildings, parked vehicles and other items of value. Remove the collector chute or mulch cover if necessary.

2. Make sure the attachment clutch control is in the "DISENGAGED" position. Engage the parking brake and stop the engine.
3. Put the nozzle adapter (B) onto the end of the garden hose (A).
4. Install the nozzle adapter (B) onto the washout port (C) at the left end of the mower deck. Release the lock collar and lock the nozzle adapter (B) on the washout port (C).



**CAUTION:** Pull the hose (A) to make sure the connection is safe.

5. Turn the water on.
6. Sit in the operator seat. Start the engine and put the throttle lever in the "Fast" position.



**CAUTION:** Make sure the area is clear and no children are in the area when you clean the deck.

7. Move the attachment clutch control to the "ENGAGED" position. Stay in the operator seat with the cutting deck engaged until the deck is clean.
8. Move the attachment clutch control to the "DISENGAGED" position. Turn the ignition key to the STOP position to turn the engine off. Turn the water off.
9. Release the lock collar to disconnect the nozzle adapter (B) from the washout port (C).

10. Move the product to a dry area. Put the attachment clutch control in the "ENGAGED" position to remove unwanted water and dry the product dry before you move it.

2. Remove the dust cover (A), the E-clip (B), the washer (C) and the square key (D).

### To adjust the throttle control cable

The throttle control is set at the factory and adjustment should not be necessary. If an adjustment is necessary, see the Engine manual.

### To examine the interlocks and the relays

**Note:** Loose or damaged wires can make your product run unsatisfactorily, stop running or prevent it from starting.

- Examine the wires.

### To replace the LED headlight

1. Lift the hood.
2. Disconnect the harness from the LED light.
3. Remove mounting screws to remove the LED light, reflector and lens.
4. Replace the LED light, reflector, or lens correctly.
5. Install with the mounting screws.
6. Reconnect the harness to LED light.
7. Close the hood.

### To do a check of the tires

**Note:** To seal the tire holes and prevent flat tires because of slow leaks, purchase sealant from your local parts dealer. Tire sealant also prevents tire dry rot and corrosion.

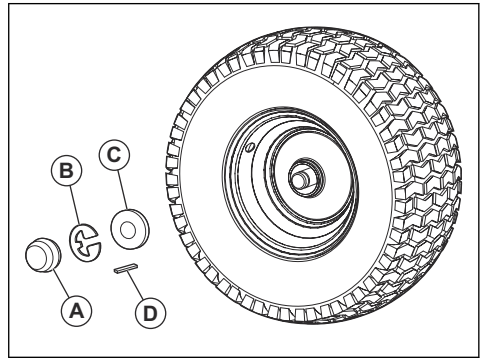
- Make sure the air pressure in all tires is correct (See the sides of tires for correct PSI).
- Keep the tires free of gasoline, oil or insect control chemicals that can cause damage to the rubber.
- Keep the tires away from stumps, stones, rut pits, sharp objects and other dangerous objects that may cause tire damage.

### To repair the tires

1. Lift the front axle and support it safely.



**CAUTION:** Lift and support one axle at a time.



**Note:** There are square keys on the rear wheels only.

3. Remove the wheel from the axle.
4. Remove the tire from the wheel.
5. Repair the tire.

**Note:** Use tire sealant to seal holes in the tire. Tire sealant also prevents tire dry rot and corrosion.

6. Install the tire on the wheel.
7. Install the wheel, the washer, the square key, and the E-clip on the axle. Make sure that the E-clip is installed correctly in the groove on the axle.
8. Install the dust cover.

### To examine the V-belts

The belts are not adjustable.

- Examine the V-belts for deterioration and wear after each interval of 100 hours of operation.
- Replace the V-belts if they start to move because they are too worn.

### To do maintenance on the transaxle cooling fan



**CAUTION:** Do not clean the fan or the transmission while the engine is on or while the transmission is hot.



**CAUTION:** Do not use a high-pressure washer or a steam cleaner. Water can go into bearings and electrical connections and cause corrosion which causes damage to the product.

To keep the transmission cool, keep the transmission fan and cooling fins clean.

- Before you clean with water, clean with a brush. Remove grass cuttings and dirt on and around the transaxle fan and cooling fins.
- Examine the cooling fan to make sure the fan blades are clean and not damaged.

### To examine the transaxle pump fluid

- Make sure that the transaxle pump fluid does not leak.
- Speak to the nearest approved service center or department if the transaxle pump fluid leaks.

### To adjust the front wheel toe-in and camber

The front wheel toe-in and camber is correctly set at the factory. The front wheel toe-in and camber are not adjustable.

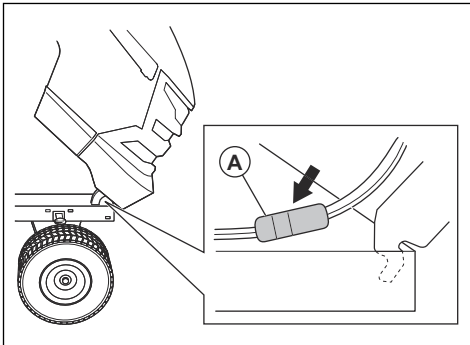
- Speak to an approved service center if the factory-set front wheel toe-in or camber is damaged.

### To replace the fuse

This product has an automotive-type fuse. The fuse holder is located behind the dashboard.

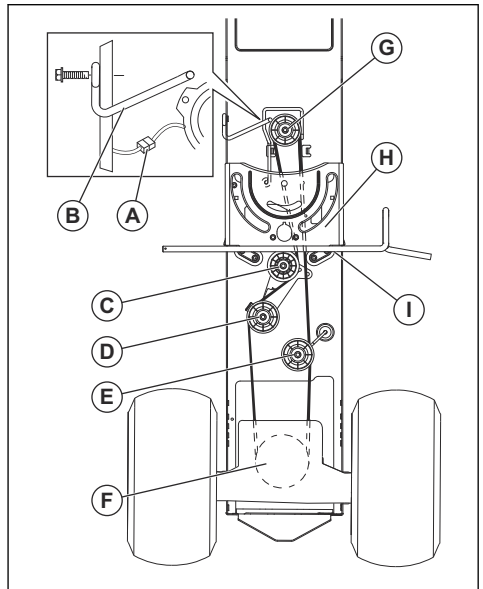
1. Hold the fuse holder and pull the blown fuse out.
2. Put a new fuse in the fuse holder.

### To remove and install the engine cover and the grill assembly



1. Lift the engine cover.
2. Disconnect the headlight wire connector (A).
3. Stay in front of the tractor. Hold the engine cover on its sides. Tilt the engine cover in the direction of the engine and lift it to remove it from the product.
4. Install in the opposite sequence.

### To replace the motion drive belt

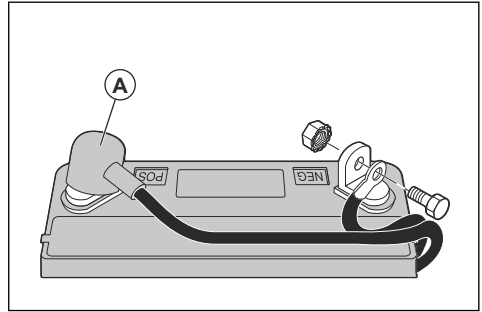


Park the product on a level surface. Engage the parking brake. Refer to the belt installation decal on the bottom side of the left footrest.

1. Remove the belt.
    - a) Remove the mower. See *To remove the mower on page 23*.
- 
- Note:** Be careful with the motion drive belt and the position of the belt guides and keepers.
- b) Disconnect the clutch wire harness (A).
  - c) Remove the anti-rotation link (B) on the right side of the product.
  - d) Remove the belt from the stationary idler (C) and clutching idler (D).
  - e) Remove the belt from the centerspan idler (E).
  - f) Pull the belt to the rear part of the product. Carefully remove the belt from the transmission input pulley and above the cooling fan blades (F).
  - g) Remove the belt from the engine pulley and around the electrical clutch (G).
  - h) Move the belt to the rear part of the product and off the steering plate (H). Remove from the product.
2. Install the new belt from the rear part of the product to the front, and above the steering plate (H) and clutch brake pedal shaft (I).
    - a) Pull the belt to the front of the product and install the belt around the electrical clutch and onto engine pulley (G).
    - b) Pull the belt to the rear part of the product.

- c) Carefully install the belt below around the transmission cooling fan and onto the input pulley (F). Make sure the belt is in the belt keeper.
- d) Install the belt on the centerspan idler (E).
- e) Install the belt through the stationary idler (C) and clutching idler (D).
- f) Install the anti-rotation link (B) on the right side of the product and tighten fully.
- g) Connect the clutch harness (A).
- h) Make sure the belt is in all pulley grooves and in all belt guides and keepers.
- i) Install the mower. See *To install the mower deck on page 23*

3. Remove the terminal covers (A).



4. Remove the bolt and the nut to disconnect the black (negative) battery cable from the negative (-) terminal.



**WARNING:** Risk of electrical shock and burn injuries. The black (negative) battery cable must be disconnected before you disconnect the red (positive) battery cable.

5. Remove the bolt and the nut to disconnect the red (positive) battery cable from the positive (+) terminal.
6. Carefully remove the battery from the product.
7. Install a new battery.
8. Connect the red (positive) battery cable to the positive (+) terminal and tighten the bolt and the nut.



**WARNING:** Risk of electrical shock and burn injuries. The red (positive) battery cable must be connected to the positive (+) terminal before the black (negative) battery cable is connected to the negative (-) terminal to prevent injury and accidental grounding.

9. Connect the black (negative) battery cable to the negative (-) terminal and tighten the bolt and the nut.
10. Install the terminal covers.
11. Close the engine cover.

### To connect the jumper cables



**WARNING:** Risk of explosion because of explosive gas that comes from the battery. Do not connect the negative terminal of the charged battery to or near the negative terminal of the weak battery.



**CAUTION:** Do not use the battery of your product to start other vehicles.

## Battery

### To clean the battery and the terminals

Corrosion and dirt on the battery and terminals can cause the battery to drain power.

1. Remove the terminal guard.
2. Disconnect the BLACK battery cable.
3. Disconnect the RED battery cable and remove the battery from the product.
4. Spray the battery with water and let dry.
5. Clean the terminals and battery cable ends with a wire brush.
6. Lubricate the terminals with grease or equivalent.
7. Install the battery. Refer to *To replace the battery on page 22*.

### To replace the battery

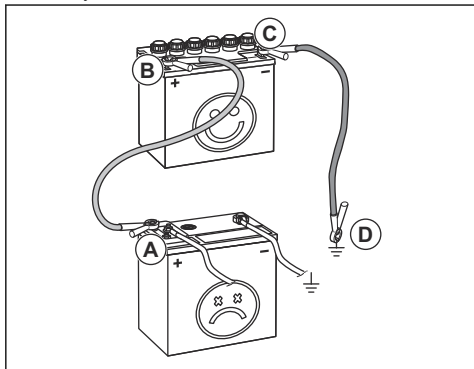
The battery is installed below the seat.



**WARNING:** Risk of electrical shock and burn injuries. Do not use metal wristbands or other metal accessories. Metal items that touch the battery terminals can cause burn injuries, electrical shock, and short circuit of the battery.

1. Stop the product. Refer to *To stop the product on page 14*.
2. Open the engine cover.

1. Connect one end of the red battery cable to the POSITIVE (+) battery terminal (A) on the weak battery.



2. Connect the other end of the red battery cable to the POSITIVE (+) battery terminal (B) on the charged battery.



**WARNING:** Do not let the ends of the red battery cable touch the chassis. This will cause a short circuit.

3. Connect one end of the black battery cable to the NEGATIVE (-) battery terminal (C) on the charged battery.
4. Connect the other end of the black battery cable to a CHASSIS GROUND (D), away from the fuel tank and the battery.

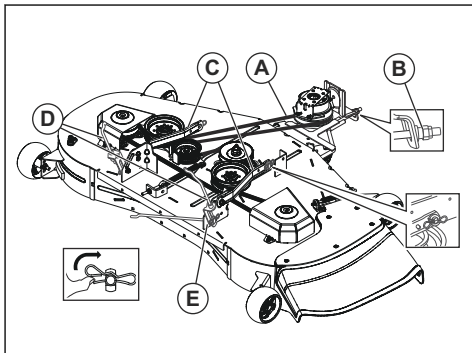
### To remove the jumper cables

**Note:** Remove the jumper cables in the opposite sequence to how you connect them.

1. Remove the BLACK cable from the chassis.
2. Remove the BLACK cable from the fully charged battery.
3. Remove the RED cable from the 2 batteries.

## Cutting deck

### To remove the mower



1. Set the attachment clutch switch to the disengaged position.
2. Lower the attachment lift lever to its lowest position.
3. Remove the mower drive belt from the electrical clutch pulley (A). See *To remove the mower drive belt on page 26*.
4. Remove the retainer spring and washer to disconnect the front link (B) from the mower .
5. Go to one side of the mower.
6. Disconnect the mower suspension arm (C) from the chassis.
7. Disconnect the rear lift link (D) from the rear mower bracket (E).
8. Go to other side of the mower and disconnect the suspension arm and rear lift link.



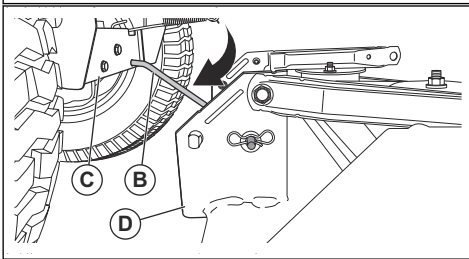
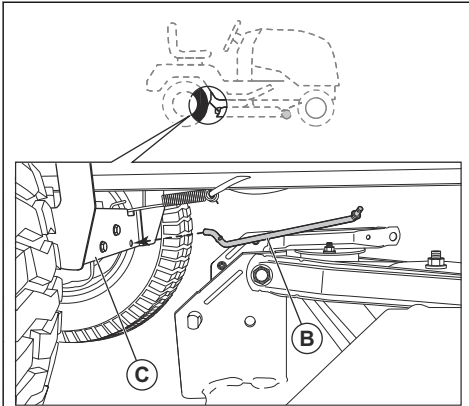
**CAUTION:** After the rear lift links are disconnected, the attachment lift lever will be spring loaded. Hold the lift lever tightly when you change the position of the lever.

9. Remove the mower from the product.

### To install the mower deck

1. Park the product is on a level surface and engage the parking brake. Refer to *To engage and disengage the parking brake on page 14*.
2. Lower the lift lever for the mower deck to the lowest position. Make sure that the suspension arms for the mower deck point forward.
3. Move the mower deck below the product until it is in the middle.

4. Install the anti-sway bar (B), if applicable.

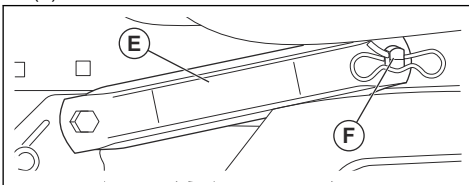


- a) From the right side, put the 90° end of the anti-sway bar (B) into the hole of the transaxle bracket (C).

**Note:** The transaxle bracket (C) may be different from the illustration, but the hole for the anti-sway bar is in the same position.

- b) Pivot the integrated washer end of the anti-sway bar (B) to the rear mower deck bracket on the right side of mower deck.
- c) Move the mower deck to put the integrated washer end into the hole of the rear mower deck bracket (D).
- d) Install the small washer and small retainer spring as shown.

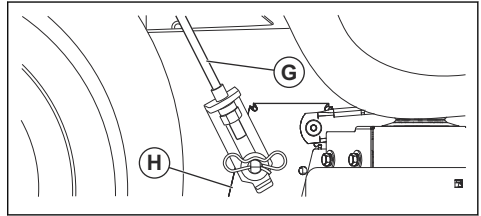
5. Attach the side suspension arms for the mower deck (E) to the chassis.



- a) Put the hole in the suspension arm above the pin (F) on the outer surface of the chassis.
- b) Install the retainer spring.

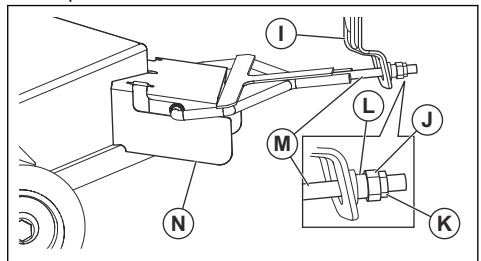
- c) Do steps A and B on the opposite side of the product.

6. Attach the rear lift links (G).

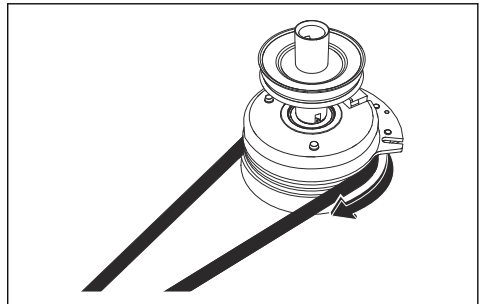


- a) Lift the rear corner of the mower deck.
- b) Put the slot in the link assembly above the pin on the rear mower deck bracket (H).
- c) Install the washer and the retainer spring.
- d) Do steps A to C on the opposite side of the product.

7. Attach the front link (M). Do this on the left side of the product.



- a) Put the rod end that has a thread for the link assembly through the front hole in the suspension bracket (I).
  - b) Install the bushing (L) and loosely install the nut (J) and jam nut (K).
  - c) Put the flat ends of the front link (M) into the slots in the front mower deck bracket (N).
8. Examine the front height compared to the rear height. If adjustment is necessary, refer to *To adjust the parallelism of the cutting deck* on page 25.
  9. Install the drive belt for the mower deck onto the electrical clutch pulley.







**CAUTION:** Do a check of the drive belt for correct routing in all the grooves of the mower deck pulleys.

10. Set the lift lever for the mower deck to the highest position.
11. If it is necessary, adjust the gauge wheels before you operate the mower deck. Refer to *To adjust the anti-scalp rollers on page 27.*

### To adjust the parallelism of the cutting deck

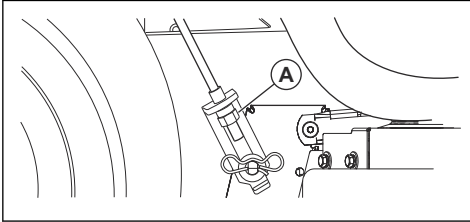
#### To do a visual side to side adjustment of the cutting deck

If the cutting height is not the same on the right and left side of the product, the cutting height can be adjusted. Adjust the cutting height on the side of cutting deck that has the lower cutting height.

1. Make sure that the tires are fully inflated.
2. Park the product on a level surface.
3. Go to the side of cutting deck that has the lower cutting height.

**Note:** Some models only have left side adjustment.

4. Adjust the cutting height with a 3/4" wrench.



**Note:** Each full turn of lift adjustment nut changes the cutting deck height 3/16" (4.7 mm).

- a) Turn the lift adjustment nut (A) to the left to lower the cutting deck.
  - b) Turn the lift adjustment nut (A) to the right to lift the cutting deck.
5. Cut some grass and examine the results. Adjust if it is necessary.

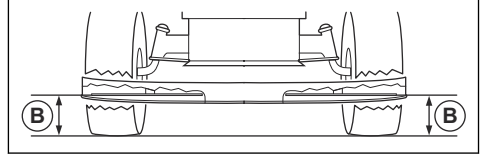
#### To do a precision side to side adjustment of the cutting deck

1. Make sure that the tires are fully inflated.
2. Park the product on a level surface.
3. Put the cutting deck in the transport position. Refer to *To set the cutting deck in transport position or mow position on page 13.*
4. Turn the outer blade tips to align with the cutting deck side to side.



**WARNING:** The blades on the cutting deck are sharp and can cause injury. Use protective gloves.

5. Measure the distance (B) from the bottom edge of the blade to the ground on the left and right side.

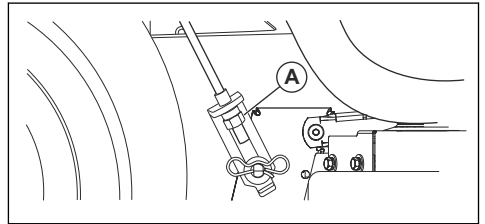


**Note:** The distance must be the same on the 2 sides.

6. Adjust the cutting height with a 3/4 in wrench.

**Note:** Each full turn of the lift adjustment nut changes the cutting height with 3/16 in (4.7 mm).

- a) Turn the lift adjustment nut (A) to the left to lower the cutting deck.



- b) Turn the lift adjustment nut (A) to the right to lift the cutting deck.

7. Measure the distance again. Adjust until the 2 sides are equal.
8. Cut some grass and examine the results. Adjust if it is necessary.

#### To do front to rear adjustment of the cutting deck

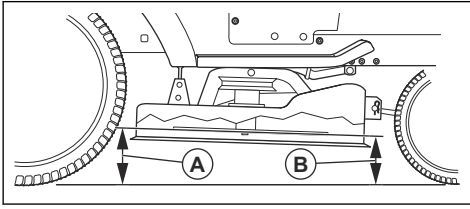
The cutting deck must be level side to side before you do front to rear adjustment. Refer to *To do a visual side to side adjustment of the cutting deck on page 25.*

1. Make sure that the tires are fully inflated.
2. Park the product on a level surface.
3. Put the cutting deck in transport position. Refer to *To set the cutting deck in transport position or mow position on page 13.*
4. Turn the blades until they point straight forward.



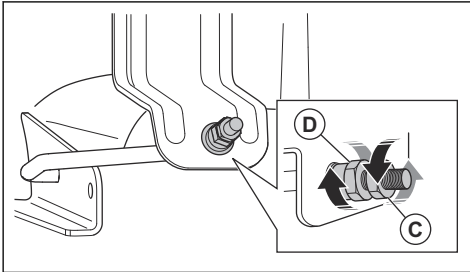
**WARNING:** The blades on the cutting deck are sharp and can cause injury. Use protective gloves.

5. Measure the distance to the ground at the rear (A) and front (B) end of the blade.



**Note:** To get the best cutting results, the blades must be adjusted until the front end is 1/8–1/2 in (3.1–12.7 mm) lower than the rear end when the cutting deck is in the highest position.

6. Go to the front of the product to make an adjustment.
7. Use a 11/16 in wrench to loosen the jam nut (C) to clear the lift adjustment nut (D).



8. Adjust the cutting deck height with a 3/4 in wrench.

**Note:** Each full turn of the lift adjustment nut changes the cutting deck height 1/8 in (3.1 mm).

- a) Turn the lift adjustment nut counterclockwise to lower the cutting deck.
  - b) Turn the lift adjustment nut clockwise to lift the cutting deck.
9. Measure the front and rear distance again.
  10. Adjust until the front end of the blade is 1/8–1/2 in (3.1–12.7 mm) lower than the rear end.
  11. Hold the lift adjustment nut in position with the wrench and tighten the jam nut.

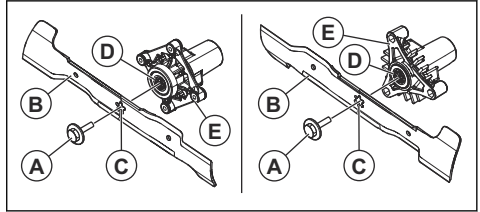
### To replace the blades

For the best results, keep the mower blades sharp. Replace bent or damaged blades.



**CAUTION:** Use only a replacement blade approved by the manufacturer. It is dangerous to use a blade not approved by the manufacturer of the product. This can cause damage to the product and void your warranty.

1. Put the cutting deck in transport position. Refer to *To set the cutting deck in transport position or mow position on page 13.*
2. Remove the bolt (A) by turning it counterclockwise and remove the blade (B).



**WARNING:** The blades on the cutting deck are sharp and can cause injury. Use protective gloves.

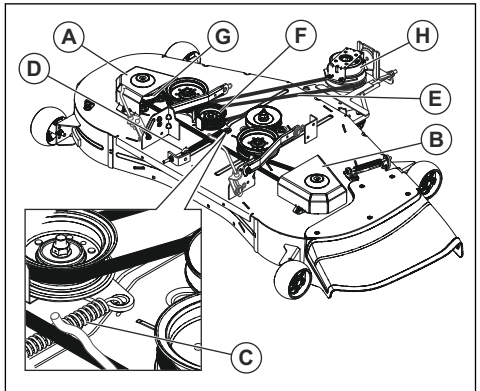
3. Install the new or sharpened blade and the bolt.



**CAUTION:** The center hole (C) in the blade must align with the star (D) on the mandrel assembly (E).

4. Torque the bolt to 45–55 ft-lbs (62–75 Nm).

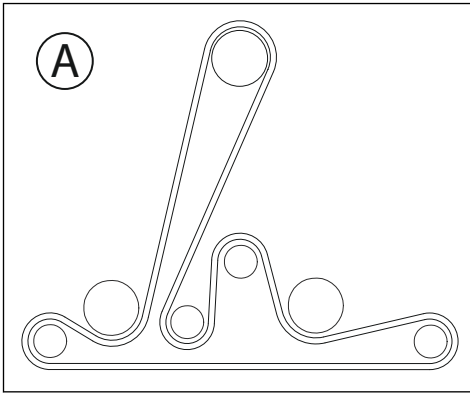
### To remove the mower drive belt



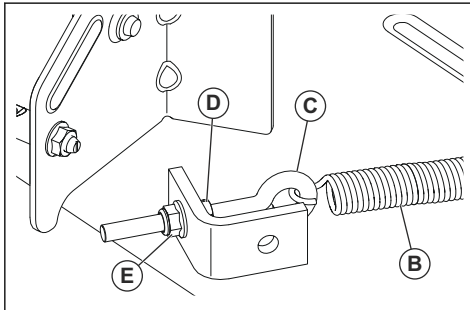
1. Park the product on a level surface and engage the parking brake.
2. Lower the attachment lift lever to its lowest position.
3. Remove the mandrel covers (A and B).
4. Remove the dirt or grass clippings around the mandrels and from the top surface of the deck.
5. Remove the spring (C) from the eye bolt (D).
6. Remove the belt (E) from all pulleys (F and G).
7. Remove the belt (E) from around the electrical clutch (H) on the engine shaft.

## To install the mower drive belt

**Note:** To easily install the deck belt, see the routing decal on the cutting deck.



1. Install the belt around all pulleys (A). Make sure the belt is not twisted.
2. Connect the spring (B) to the eye bolt (C).



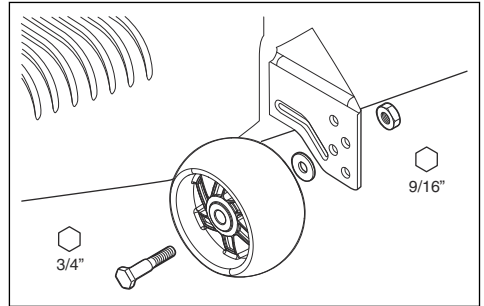
3. Adjust the belt tension until the spring is extended to a length of 5.75 in (14.6 cm).
  - a) Loosen the inner adjustment nut (D).
  - b) Turn the outer adjustment nut (E) clockwise to increase the tension and counterclockwise to decrease the tension.
  - c) Tighten the inner adjustment nut (D) fully.
4. Put the mandrel covers on the two mandrel housings and tighten with fasteners.

## To adjust the anti-scalp rollers

The anti-scalp rollers keep the cutting deck in the correct position on the ground and prevent lawn scalping in most terrain conditions. The anti-scalp rollers are adjusted correctly when they are slightly off the ground when the cutting deck is at the necessary cutting height.

1. Park the product on a level surface and stop the engine.

2. Adjust the product to the necessary cutting height. Refer to *To set the cutting height on page 13*.
3. Remove the nut, the bolt, the washer, and the anti-scalp roller.

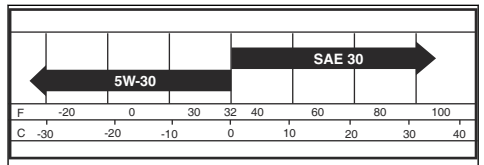


4. Install the anti-scalp roller, the bolt, the washer, and the nut in the correct position.
5. Adjust all anti-scalp rollers and install them in the same procedure.

## Engine

### To lubricate the engine

Only use high quality detergent oil rated with API service classification SJ-SN. The oil's SAE viscosity grade refers to the correct temperature for operation.



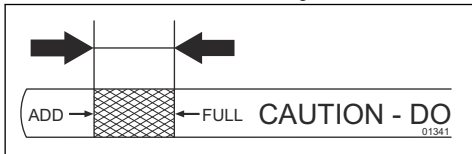
**Note:** Multi-viscosity oils (5W30, 10W30, and so on) help the engine start easily in cold weather but causes increased oil use when used in temperatures above 32°F/0°C. Do a check of your engine oil level frequently to prevent possible engine damage caused by low oil level.

- Change the oil after intervals of 50 hours of operation. If the product is not used for 50 hours in a year, change the oil at a minimum of 1 time a year.
- Do a check of the crankcase oil level before you start the engine and after each eight (8) hours of operation.
- Tighten the oil fill cap/dipstick each time you do a check of the oil level.

### To do a check of the engine oil level

The engine in the product is filled with engine oil for ambient temperatures of more than 32° F (0° C). For operation in ambient temperatures of less than 32° F (0° C), use the correct engine oil to make the product easier to start. Refer to *To lubricate the engine on page 27*.

1. Park the product in level ground.
2. Remove the oil fill cap and dipstick and clean it with a cloth.
3. Put the dipstick into the oil fill tube. Do not turn the oil fill cap onto the oil fill tube.
4. Remove the dipstick. Use the gauge on the dipstick to examine the engine oil level. If necessary, fill engine oil until the mark "FULL" on the dipstick is reached. Do not fill too much engine oil.



5. Put the dipstick into the oil fill tube. Make sure that the oil fill cap is fully tightened.

**Note:** To replace the engine oil, Refer to *To change the engine oil on page 28*.

### To change the engine oil

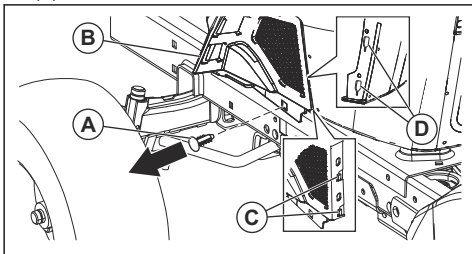
**Note:** All oil must meet API service classification SJ-SN.

**Note:** Oil drains more freely when the engine is warm.

Make sure the product is on a level surface before you drain the engine oil. Set the possible temperature range before the oil change.

Collect the oil in an applicable container.

1. Lift the hood.
2. Remove the fastener (A) from the lower dash cover (B).



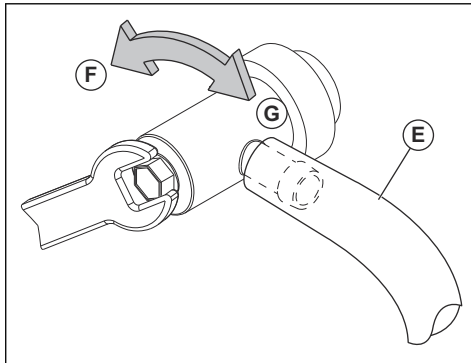
**CAUTION:** Remove the lower dash cover (A) carefully to make sure the cover tabs (C) are not broken.

3. Move the lower dash cover (B) to release the cover tabs (C) from the tapered slots (D) in the lower dash cover (B) and then remove.
4. Remove the oil fill cap and dipstick.



**CAUTION:** Be careful not to let dirt enter the engine when you change the oil.

5. Install the drain tube (E) onto the oil drain valve.



6. Turn the valve counterclockwise with a 10 mm wrench to open the oil drain valve (F).
7. Turn the drain valve clockwise to close it (G) when the oil is drained.

**Note:** Use a 10 mm wrench to apply a small quantity of torque to keep the drain valve closed. Do not tighten too firmly.

8. Remove the drain tube (E) and keep it.
9. Fill the engine with new oil through the oil fill dipstick tube.

**Note:** Put oil into the engine slowly. Do not fill the engine with too much oil. For the approximate capacity, see *Technical data on page 36*.

10. Use the gauge on the oil fill dipstick to do a check of the oil level.
  - a) Put the dipstick into the tube and let the oil fill cap touch the top of the tube.
  - b) Do not tighten the cap onto the tube when you do an oil level check.
  - c) Make sure the oil is at the "FULL" line on the dipstick.
  - d) Tighten the cap onto the tube tightly when you complete the check.

### To replace the engine oil filter



**WARNING:** Use protective gloves. If you spill engine oil on your body, clean with soap and water.

1. Drain the engine oil from the oil tank. Refer to *To change the engine oil on page 28*.
2. Turn the engine oil filter counterclockwise to remove it.

- Lightly lubricate the rubber seal on the new oil filter with new engine oil.
- To install the new oil filter, turn it clockwise until the rubber seal fits correctly, then tighten a half turn more.
- Fill the oil tank with new engine oil. Refer to *To change the engine oil on page 28*.
- Start the engine and let it operate at idle speed for 3 minutes.
- Stop the engine and make sure that there is no oil leakage from the oil filter.

---

**Note:** If there is oil leakage, tighten the oil filter again.

---

- Fill the oil tank with more engine oil to replace the engine oil that the new oil filter has absorbed.

### To clean the air filter

The engine will not run satisfactorily with a dirty air filter. Clean the air filter more frequently in dusty conditions.

### To clean the air screen

---

**Note:** The air screen must be kept free of dirt to prevent engine damage caused by overheating.

---

- Clean the air screen with a wire brush or compressed air to remove dirt.

### To do maintenance on the engine cooling system

---

**Note:** A blocked grass screen, dirty or full cooling fins, and/or removed blower housing, and so on, can make the engine too hot and cause engine damage.

---

- Make sure that the grass screen, the cooling fins, and other external surfaces of the engine are clean at all times.
- After each interval of 100 hours of operation (more often in extremely dusty and dirty conditions), remove the blower housing and other parts of the engine cooling system. Clean the cooling fins and external surfaces as necessary. Make sure that the engine cooling system parts are installed correctly.

### To do maintenance on the muffler

Corrosion on the muffler and spark arrester can cause fire and/or damage.

- Examine the muffler and spark arrester (if the product has one) and replace if necessary.

### To replace the spark plugs

The spark plug type and clearance (gap setting) are shown in *Technical data on page 36*.

- Replace the spark plugs at the start of each cutting season or after each interval of 100 hours of operation.

### To replace the in-line fuel filter

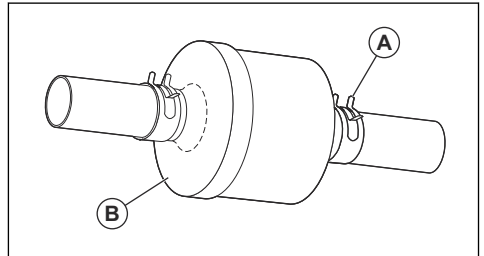
---

**Note:** Replace the in-line fuel filter every year at minimum.

---

Replace the in-line filter if it becomes clogged and stops the flow of fuel to the carburetor.

- Let the engine cool.
- Remove the in-line fuel filter (B) and seal the fuel line sections with plugs.
- Put the new in-line fuel filter in position in the fuel line with the arrow pointing to the carburetor.
- Make sure that there are no fuel line leaks and that the clamps (A) are in the correct position.
- If you spill, immediately clean the product.



### To remove the air from the transmission



**CAUTION:** Do not engage or disengage freewheel lever when the engine is in operation.

---

To keep high performance, remove the air in the transmission before you operate the product for the first time.

If you replace the transmission, remove the air in the new transmission before you operate the product.

- Park the product on a level surface that is clear and open.
- Stop the engine and engage the parking brake.
- Put the freewheel control in the disengaged position. Refer to *To put the product in freewheel mode on page 16*.
- Start the engine. When the engine has started, move the throttle control to the slow position and disengage the parking brake.
- Do the steps that follow 3 times.

**Note:** During this procedure, there can be movement of the drive wheels.

- a) Push the forward drive pedal to the full forward position and keep it pushed down for 5 seconds before you release it.
  - b) Push the reverse drive pedal to the full reverse position and keep it pushed down for 5 seconds before you release it.
6. Stop the engine and engage the parking brake.
  7. Put the freewheel control in the engaged position. Refer to *To put the product in freewheel mode on page 16.*
  8. Sit in the seat and start the engine. When the engine has started, move the throttle control to the half speed position.
  9. Disengage the parking brake.
  10. Operate the product forward for approximately 5 ft (1.5 m) then rearward for 5 ft (1.5 m). Do this procedure 3 times.

## Troubleshooting

| Problem                           | Cause  | Action   |
|-----------------------------------|--|--|
| The engine does not start.        | There is no fuel in the fuel tank.                   | Fill the fuel tank.  |
|                                   | The throttle control is not in the correct position. | Refer to the start instructions.   |
|                                   | The spark plug is defective.                         | Replace the spark plug.  |
|                                   | The air filter is dirty.                             | Clean or replace the air filter.   |
|                                   | The fuel filter is clogged.                          | Replace the fuel filter.   |
|                                   | There is water in the fuel.                          | Remove all fuel from the fuel tank and the carburetor. Fill the fuel tank with new fuel and replace the fuel filter. |
|                                   | The wires are loose or damaged.                      | Do a check of all wires.   |
|                                   | The engine valves are not adjusted correctly.        | Speak to an approved service agent.  |
|                                   | The engine is flooded.                               | Wait 2–3 minutes before you try to start the engine again.   |
| The fuel in the fuel tank is bad. | Replace the fuel in the fuel tank.                   |  |

| <b>Problem</b>                                   | <b>Cause</b>  | <b>Action</b>   |
|--|---|---|
| The starter motor does not turn the engine over. | The battery is too weak.  | Charge the battery.   |
|  | The attachment clutch control is engaged.                               | Disengage the attachment clutch control.  |
|  | The clutch/brake pedal is not pushed down fully.                        | Push down the clutch/brake pedal fully when you start the engine.   |
|  | The connection at the cable connectors on the battery terminals is bad. | Do a check of the battery connections.  |
|  | The main fuse is defective.   | Replace the main fuse.  |
|  | The ignition lock is defective.   | Speak to an approved service agent.   |
|  | The safety connector for clutch/brake pedal is defective.               | Speak to an approved service agent.   |
|  | The starter motor or the solenoid is defective.                         | Speak to an approved service agent.   |
|  | The operator presence control (OPC) is defective.                       | Do a check of the wires, switches and connections. If not corrected, speak to an approved service agent. Do not operate product with a defective operator presence control. |
| The engine does not run smoothly.                | The spark plug is defective.  | Replace the spark plug.   |
|  | The carburetor is not adjusted correctly.                               | Speak to an approved service agent.   |
|  | The air filter is dirty.  | Clean or replace the air filter.  |
|  | The check valve on the fuel tank cap is defective.                      | Replace the fuel tank cap.  |
|  | The fuel tank is almost empty.  | Fill the fuel tank with fuel.   |
|  | There is water in the fuel.   | Remove all fuel from the fuel tank and the carburetor. Fill the fuel tank with new fuel and replace the fuel filter.  |
|  | The choke is engaged and the engine is warm.                            | Disengage the choke.  |
|  | The fuel mix or fuel type is incorrect.                                 | Remove all fuel from the fuel tank and the carburetor. Fill the fuel tank with the correct fuel mix or fuel type.   |
|  | The fuel filter is clogged  | Replace the fuel filter.  |
|  | The spark plug is defective.  | Replace the spark plug.   |
|  | There is dirt in the carburetor or fuel line.                           | Clean the carburetor and fuel lines.  |

| <b>Problem</b>                                | <b>Cause</b>  | <b>Action</b>  |
|---|---|--|
| The engine becomes too hot.                   | There is overload in the engine.  | Decrease the workload.   |
|   | The air intake or the cooling fins on the engine are blocked.                     | Clean the air intake and the cooling fins on the engine.   |
|   | The cooling fan is defective.   | Speak to an approved service agent.  |
|   | The engine oil level is too low.  | Do a check of the engine oil level. Fill with engine oil if it is necessary.   |
|   | The ignition lock is defective.   | Speak to an approved service agent.  |
|   | The spark plug is defective.  | Replace the spark plug.  |
| There is loss of power.                       | The product is operated at too high forward or rearward speed when you cut grass. | Use slower speed.  |
|   | The throttle control is in the choke position.                                    | Put the throttle control in the fast position.   |
|   | There is build-up of grass, leaves or unwanted material under the cutting deck.   | Clean the cutting deck.  |
|   | The air filter is dirty.  | Clean or replace the air filter.   |
|   | The engine oil level is too low.  | Do a check of the engine oil level. Fill with engine oil if it is necessary.   |
|   | The engine oil is dirty.  | Replace the engine oil.  |
|   | The spark plug is defective.  | Replace the spark plug.  |
|   | The fuel filter is dirty.   | Replace the fuel filter.   |
|   | The fuel in the fuel tank is bad.   | Replace the fuel in the fuel tank.   |
|   | There is water in the fuel.   | Remove all fuel from the fuel tank and the carburetor. Fill the fuel tank with new fuel and replace the fuel filter. |
|   | The spark plug wire is loose.   | Connect and tighten the spark plug wire.   |
|   | The air intake or the cooling fins on the engine are blocked.                     | Clean the air intake and the cooling fins on the engine.   |
|   | The muffler is clogged or damaged.  | Clean or replace the muffler.  |
|   | There is loose or damaged wiring.   | Do a check of all wiring.  |
| The engine valves are not adjusted correctly. | Speak to an approved service agent.   |  |
| There is vibration in the product.            | The blades are loose.   | Tighten bolts on the blades.   |
|   | One or more of the blades are damaged or not balanced.                            | Balance the blades or replace the blades.  |
|   | The engine is loose.  | Tighten the engine bolts.  |



| <b>Problem</b>  | <b>Cause</b>   | <b>Action</b>   |
|---|--|---|
| The battery does not charge.  | The main fuse is defective.  | Replace the main fuse.  |
|   | The battery is defective.  | Replace the battery.  |
|   | The charging cable is disconnected.  | Connect the charging cable.   |
|   | The connection at the cable connectors on the battery terminals is bad.            | Do a check of the battery connections.  |
| The engine operates when the operator gets up from the seat when the cutting deck is engaged. | The operator presence control (OPC) is defective.                                  | Do a check of the wires, switches and connections. If not corrected, speak to an approved service agent. Do not operate product with a defective operator presence control. |
| The blades cannot rotate.   | There is blockage in the clutch mechanism.   | Remove the blockage.  |
|   | The drive belt for the cutting deck is worn or damaged.                            | Replace the drive belt for the cutting deck.  |
|   | An idler pulley is frozen.   | Replace the idler pulley.   |
|   | A blade mandrel is frozen.   | Replace the blade mandrel.  |
| Defective grass discharge.  | The engine speed is too slow.  | Put the throttle control in the fast position.  |
|   | The product is operated at too high forward or rearward speed.                     | Use slower speed.   |
|   | The grass is wet.  | Let the grass become dry before you cut it.   |
|   | The cutting deck is deck not parallel.   | Adjust the parallelism of the cutting deck. Refer to <i>To adjust the parallelism of the cutting deck on page 25.</i>   |
|   | The tire pressure is incorrect.  | Do a check of the tire pressure. Adjust the tire pressure if it is necessary.   |
|   | The blades are worn, damaged or loose.   | Replace blades or tighten bolts on the blades.  |
|   | Buildup of grass or dirt below the cutting deck.                                   | Clean the cutting deck.   |
|   | The drive belt for the cutting deck is worn or damaged.                            | Replace the drive belt for the cutting deck.  |
|   | The blades are incorrectly installed.  | Install the blades with the sharp edge down.  |
|   | Incorrect blades are used.   | Replace the blades with the correct blades in the parts manual.   |
|   | Clogged air holes of the cutting deck from buildup of grass, dirt around mandrels. | Clean around mandrels to open air holes.  |

| <b>Problem</b>  | <b>Cause</b>  | <b>Action</b>  |
|---|---|--|
| The headlight does not function.                              | The headlight switch is in the off position.  | Turn the headlight switch to the on position.  |
|   | The light bulb is defective.  | Replace the light bulb.  |
|   | The power switch for the headlight is defective.  | Replace power switch for the headlight.  |
|   | The cable to the headlight is not connected.  | Do a check of wires and connections.   |
|   | There is short-circuit in the headlight cable.  | Speak to an approved service agent.  |
| The product moves slowly, with irregular speed or not at all. | The product is in freewheel mode.   | Pull out the freewheel control lever. Refer to <i>To put the product in freewheel mode on page 16</i> .                |
|   | The parking brake is engaged.   | Disengage the parking brake.   |
|   | The drive belt is loose or damaged.   | Replace drive belt.  |
|   | There is air in the transmission.   | Remove the air from the transmission. Refer to <i>To remove the air from the transmission on page 29</i> .             |
|   | There is unwanted materials on the steering plate (if the steering plate is installed). | Clean the product.   |
|   | The square key on the axle is missing.  | Install the square key. Refer to <i>To repair the tires on page 20</i> .   |
| The cutting result is unsatisfactory.                         | The blades are blunt or damaged.  | Sharpen the blades or replace the blades.  |
|   | The cutting deck is not parallel.   | Adjust the parallelism of the cutting deck. Refer to <i>To adjust the parallelism of the cutting deck on page 25</i> . |
|   | The grass is wet.   | Let the grass become dry before you cut it.  |
|   | The grass is long.  | Start with a high cutting height and decrease it gradually.  |
|   | The tire pressure is incorrect.   | Do a check of the tire pressure. Adjust the tire pressure if it is necessary.  |
|   | The product is operated at too high forward or rearward speed.                          | Use slower speed.  |
|   | The drive belt for the cutting deck is worn or damaged.                                 | Replace the drive belt for the cutting deck.   |
| The engine backfires when the engine stops.                   | The throttle control is not put in the slow position.                                   | Refer to <i>To stop the product on page 14</i> .   |
| The engine stops when you try to reverse.                     | The reverse operation system (ROS) is not engaged.                                      | Engage the reverse operation system (ROS). Refer to <i>To use the reverse operation system (ROS) on page 15</i> .      |

---

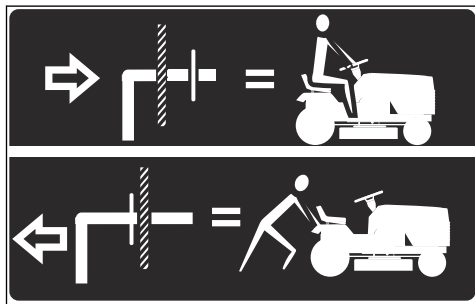
# Transportation, storage and disposal

---

## Transportation

**Note:** Close and attach the hood to the product during transportation to prevent damage. Connect the hood to the product with the correct tools (rope, cord and so on).

When you move the product, put the freewheel control in freewheeling position to disengage the transmission. Freewheel control is at the rear drawbar of the product.



1. Lift the attachment to the highest position with the attachment lift control.
2. Pull the freewheel control out and into the slot and release to hold it in the disengaged position.
3. Do not move the product at more than two (2) mph (3.2 km/h).
4. To reengage transmission, reverse the above procedure.

## Tow safety

- Only use tow equipment approved by Husqvarna.
- Use the tow bar to attach the equipment.
- Do not tow equipment that is heavier than the maximum permitted weight.
- Make sure that no other persons is near the product when you tow equipment.
- Do not tow equipment on slopes or rough ground.
- Operate the product at low speed when you tow equipment.

---

## Storage

---

Prepare the product for storage at the end of the season, and before more than 30 days of storage. If you keep fuel in the fuel tank for 30 days or more, tacky particles can cause blockage in the carburetor. This has a negative effect on the engine function.

To prevent tacky particles during storage, add a stabilizer. If alkylate gasoline is used, stabilizer is not necessary. If you use standard gasoline, do not change to alkylate gasoline. This can cause sensitive rubber parts to become hard. Add stabilizer to the fuel in the tank or in the container used for storage. Always use the mixing ratios given by the manufacturer. Run the engine for a minimum of 10 minutes after you add the stabilizer until it flows into the carburetor.



**WARNING:** Do not keep the product with fuel in the tank in an indoor location or in locations with bad airflow. Risk of fire if fuel fumes come near open flames, sparks, or pilot lights in for example boilers, hot water tanks and clothes dryers.



**WARNING:** Remove grass, leaves and other flammable materials from the product

to decrease the risk of fire. Let the product become cool before you put it in storage.

- Clean the product, see *To clean the product on page 19*. Repair paint damages to prevent corrosion.
- Examine the product for worn or damaged parts and tighten loose screws and nuts.
- Remove the battery. Clean it, charge it, and keep it cool during storage.
- Change the engine oil, and discard the waste oil.
- Empty the fuel tank. Start the engine and run it until there is no remaining fuel in the carburetor.

**Note:** Do not empty the fuel tank and carburetor if a stabilizer has been added.

- Remove the plugs and put about a tablespoon of engine oil into each cylinder. Manually turn the engine shaft to apply the oil and put the plugs back on.
- Lubricate all grease nipples, joints and axles.
- Keep the product in a clean and dry area and cover it for more protection.
- A cover for protection of your product during storage or transport is available at your dealer.

## Disposal

- Chemicals can be dangerous and must not be discarded on the ground. Always discard used chemicals at a service center or an applicable disposal location.
- When the product is worn out, send it to the dealer or to an applicable recycling location.
- Oil, oil filters, fuel and the battery can have negative effects on the environment. Obey the local recycling requirements and applicable regulations.
- Do not discard the battery as domestic waste.
- Send the battery to a Husqvarna service agent or discard it at a disposal location for used batteries.

## Technical data

### Technical data

|  | TS 248XD                 |
|--|--------------------------|
| <b>Engine</b>  |                          |
| Engine brand   | Kawasaki                 |
| Engine model   | FR Series                |
| Nominal engine output, HP / kW <sup>1</sup>  | 23 / 17.2                |
| Max. engine speed, rpm   | 3300 ± 100               |
| Engine idle speed, rpm   | 1750                     |
| Maximum speed forward, mph / km/h  | 5.5 / 8.9                |
| Maximum speed reverse, mph / km/h  | 2.5 / 4                  |
| Fuel, minimum octane grade, lead-free, max 10% Ethanol and max 15% MTBE, AKI / RON | 87 / 91                  |
| Fuel tank volume, gallons / l  | 4 / 15.14                |
| Oil type above 32°F / 0°C (API: SJ-SN):  | SAE 30                   |
| Oil type below 32°F / 0°C (API: SJ-SN):  | SAE 5W30                 |
| Oil volume with oil filter, oz / l   | 64 / 1.89                |
| Oil volume without oil filter, oz / l  | 58 / 1.71                |
| Lubrication system   | Pressure with oil filter |
| Cooling system   | Air cooled               |
| Air filter   | Dual                     |
| Alternator, V. amp. @ 3600 rpm   | 12 V 15 amp @ 3600 rpm   |
| Start motor  | Electric start 12 V      |
| <b>Weight</b>  |                          |
| Weight, with empty tanks, lb / kg  | 610 / 277                |
| <b>Cutting deck</b>  |                          |
| Number of blades   | 3                        |

<sup>1</sup> The power rating as declared by the engine manufacturer is the average gross power output at the specified RPM of a typical production engine for the engine model measured using SAE Standards for engine gross power. Refer to the engine manufacturer engine specifications.

|  |                          |
|--|--------------------------|
|  | <b>TS 248XD</b>          |
| Blade length, in. / cm                       | 16.5 / 41.81             |
| Cutting Width, in. / cm                      | 48 / 122                 |
| Cutting Height, in. / cm                     | 1.5–3.8 / 3.8–10.2       |
| <b>Tires</b>                                 |                          |
| Tire pressure, rear – front, PSI / kPa / bar | 15 / 103 / 1             |
| Front tires, in.                             | 15 x 6-6                 |
| Rear tires, turf pneumatic, in.              | 20 x 10-8                |
| Brakes                                       | Mechanical parking brake |
| <b>Electrical system</b>                     |                          |
| Type   | 12 V                     |
| Battery                                      | 28 A                     |
| Spark plug                                   | BPR4ES                   |
| Electrode gap, in. / mm                      | 0.030 / 0.76             |
| Spark plug torque, lb-ft / Nm                | 16 / 22                  |

---

## Service

---

### Service

Do a yearly check at an authorized service center to make sure that the product functions safely and at its best during high season. The best time to do a servicing or overhaul of the product is low season.

When you send an order for the spare parts, give information about the purchase year, model, type, and serial number.

Always use original spare parts.

---

## Contenido

---

|                            |    |   |    |
|----------------------------|----|---|----|
| Introducción.....          | 38 | Transporte, almacenamiento y eliminación de residuos..... | 74 |
| Seguridad.....             | 41 | Almacenamiento.....                                       | 74 |
| Montaje.....               | 47 | Eliminación.....  | 75 |
| Funcionamiento.....        | 49 | Datos técnicos.....                                       | 75 |
| Mantenimiento.....         | 53 | Servicio.....   | 76 |
| Solución de problemas..... | 68 | Apéndice .....  | 77 |

---

## Introducción

---

### Inspección previa a la entrega y números de producto

---

le entregue una copia firmada del documento de inspección previa a la entrega.

---

**Nota:** A este producto se le hizo una inspección antes de la entrega. Asegúrese de que su distribuidor

|   |  |
|---|--|
| Información de contacto del taller de servicio:   |  |
| Este manual de usuario pertenece al producto con el número de producto/número de serie: |  |
| /   |  |
| Motor:  |  |
| Transmisión:  |  |

### Descripción del producto

Este es un tractor de césped con el equipo de corte instalado entre los ejes delantero y trasero. Tiene un motor de cuatro ciclos que utiliza gasolina.

Accesorios opcionales:

- Recogedor de césped
- Conector del mantillo

### Uso previsto

Este producto solo se utiliza para cortar el césped en jardines privados y en pendientes de jardines privados no superiores a 15° de pendiente. No se debe utilizar en parques públicos, campos de deporte ni en los sectores agrícola o forestal. Utilice el producto solo con accesorios aprobados por el fabricante.

Utilizar el producto de manera diferente es un uso incorrecto. Anulará su garantía y se rechazará la responsabilidad por daños al usuario de terceros en la parte del fabricante.

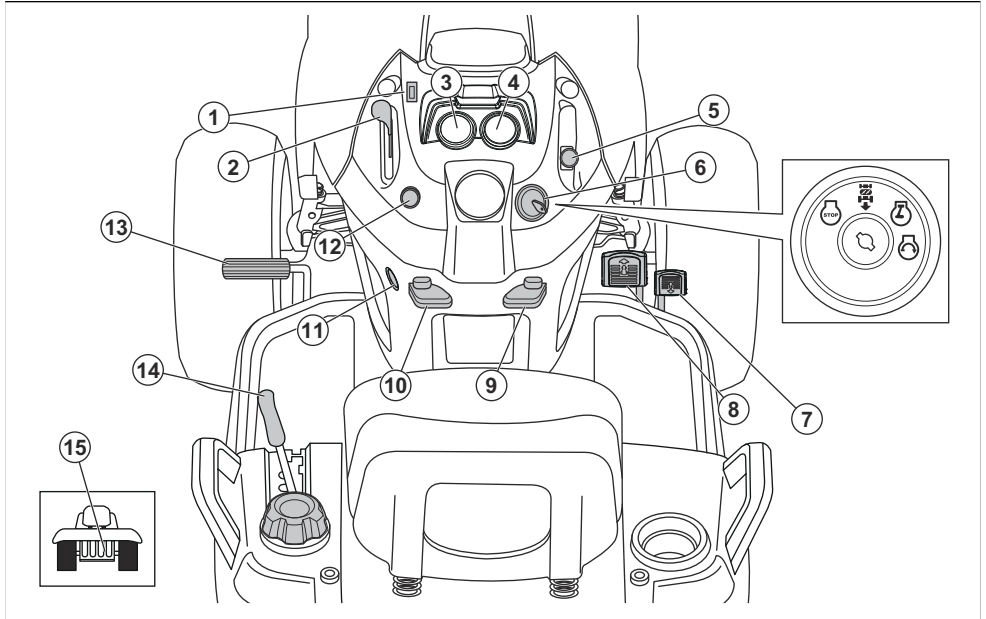
Consulte las directivas locales para el funcionamiento de los cortacéspedes.

### Soporte/ayuda

Si necesita asistencia o tiene alguna pregunta acerca de la aplicación, operación, mantenimiento o piezas de su producto:

- Visite nuestro sitio web: [www.husqvarna.com](http://www.husqvarna.com)
- Llámenos de manera gratuita: 1-800-487-5951

## Descripción general del producto



1. Interruptor de luz
2. Control del acelerador
3. Medidor de horas
4. Amperímetro
5. Control de embrague de acoplamiento
6. Interruptor de encendido
7. Pedal de reversa
8. Pedal para avanzar
9. Palanca de control crucero
10. Palanca del freno de estacionamiento
11. Toma de corriente de 12V
12. Estrangulador
13. Pedal de freno
14. Palanca de elevación de accesorio
15. Palanca de rueda libre



Lea atentamente el manual de instrucciones y asegúrese de que entiende las instrucciones antes de usar este producto.

**R**

Reversa.

**N**

Neutro.

**H**

Alta.

**L**

Baja.



Estrangulador.

## Símbolos en el producto



Advertencia: Tenga cuidado y utilice el producto correctamente. Este producto puede causar daños graves o fatales al operador o a otras personas.



PRECAUCIÓN: El uso incorrecto puede causar daños al producto o a la propiedad personal.



Rápido.



Lento.



Interruptor de encendido.



Motor apagado.



Puesta en marcha del motor.



Motor en marcha.



Bloqueo de diferencial.



Pedal de embrague y de freno.



Freno de estacionamiento.



Altura de corte.



Elevación del equipo de corte.



Sistema de funcionamiento en reversa (ROS).



Reversa.



Hacia delante.



Luces encendidas.



Batería.



Las cuchillas están desacopladas.



Las cuchillas están acopladas.



Peligroso, mantenga las manos y los pies alejados esta área.



Combustible.



Funcionamiento del paso de combustible de reserva.



Protectores auriculares recomendados.



Mantenga la zona despejada cuando conduzca hacia delante.



No haga funcionar el producto mientras haya animales o personas cerca, especialmente niños.





Riesgo de pendiente. No opere el producto en subida en una pendiente mayor que 15°.



Riesgo de pendiente. No opere horizontalmente en una pendiente.



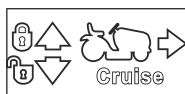
Riesgo de pendiente. No opere el producto en bajada en una pendiente mayor que 15°.



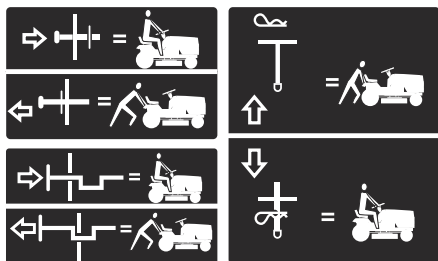
El símbolo de superficies calientes indica que hay un riesgo que, si no se evita, podría provocar la muerte, lesiones graves o daños.



El símbolo de fuego indica que hay un riesgo que, si no se evita, podría provocar la muerte, lesiones graves o daños.



Control crucero.



Rueda libre (solo modelos automáticos).

## Medidor de horas

El medidor de horas muestra por cuántas horas ha funcionado el motor. Consulte la *Descripción general del producto en la página 39* para conocer la posición del medidor de horas.

Cada 50 horas, se mostrará un símbolo del nivel de aceite durante 2 horas. Consulte *Para cambiar el aceite del motor en la página 65*.

Para restablecer manualmente el medidor de horas, gire la llave de encendido a la posición de encendido y, luego, a la posición "STOP" cinco veces.

**Nota:** El medidor de horas solo se detiene cuando la llave de encendido está en la posición "STOP". Asegúrese de que la llave de encendido permanezca en la posición "STOP" cuando el motor se haya detenido.

## Responsabilidad del fabricante

Como se menciona en las leyes de responsabilidad del fabricante, no nos hacemos responsables de los daños que cause nuestro producto si:

- el producto se repara incorrectamente
- el producto se repara con piezas que no son del fabricante o que este no autoriza
- el producto tiene un accesorio que no es del fabricante o que este no autoriza
- el producto no se repara en un centro de servicio autorizado o por una autoridad aprobada.

## Seguridad

### Definiciones de seguridad

Las advertencias, precauciones y notas se utilizan para señalar las piezas particularmente importantes del manual.



**PRECAUCIÓN:** Se utilizan para señalar el riesgo de dañar la máquina, otros materiales o el área adyacente si no se siguen las instrucciones del manual.



**ADVERTENCIA:** Se utilizan para señalar el riesgo de lesiones graves o mortales para el operador o para aquellos que se encuentren cerca si no se siguen las instrucciones del manual.

**Nota:** Se utilizan para entregar más información necesaria en situaciones particulares.

## Prácticas de uso seguro para cortacésped



**ADVERTENCIA:** Este producto puede amputar manos y pies, y arrojar objetos. El incumplimiento de las siguientes instrucciones de seguridad puede ocasionar daños graves o la muerte.



**ADVERTENCIA:** Siempre desconecte el cable de la bujía y colóquelo en un lugar en el que no entre en contacto con la bujía para evitar el arranque accidental durante la configuración, el transporte, o cuando esté haciendo ajustes o reparaciones.



**ADVERTENCIA:** No baje pendientes en punto muerto, ya que puede perder el control del tractor.



**ADVERTENCIA:** Remolque únicamente con accesorios recomendados por las especificaciones del fabricante del tractor y cumpla con las especificaciones de este. Use el sentido común al remolcar. Cuando esté en una pendiente, utilice la máquina únicamente a la velocidad más baja posible. Es peligroso transportar mucho peso cuando opere la máquina en una pendiente. Debido a que es posible que los neumáticos pierdan tracción con el suelo, lo que puede provocar que pierda el control del tractor.



**ADVERTENCIA:** Los gases de escape del motor, algunos de sus componentes y algunos componentes del vehículo contienen o emiten productos químicos que según el estado de California provocan cáncer y malformaciones congénitas u otros daños reproductivos.



**ADVERTENCIA:** Los postes, las terminales y los accesorios relacionados de la batería contienen plomo y compuestos de plomo, productos químicos de los que se sabe en el Estado de California que causan cáncer y defectos de nacimiento u otros daños reproductivos. Lávese las manos después de su uso.

### I. NIÑOS



**ADVERTENCIA:** LOS NIÑOS PUEDEN RESULTAR LESIONADOS POR ESTE EQUIPO. La Academia Americana de Pediatría recomienda que los niños tengan un mínimo de 12 años antes de operar un cortacésped de manejo a pie y un mínimo de 16 años antes de operar un cortacésped montado.



**ADVERTENCIA:** ESTE EQUIPO ES PELIGROSO PARA LOS NIÑOS, PUEDE CAUSAR LESIONES GRAVES O LA MUERTE. Lea atentamente las siguientes instrucciones de seguridad y cumpla lo que se indica.

Pueden ocurrir accidentes trágicos si el operador no está alerta de la presencia de niños. A los niños suelen atraerles las máquinas y el corte del césped. Nunca dé por un hecho que los niños permanecerán donde usted los vio por última vez.

- Mantenga a los niños alejados de la zona de corte y bajo la supervisión de un adulto responsable aparte del operador.
- Manténgase alerta y apague la máquina si los niños entran al área.
- Antes y mientras vaya en reversa, mire hacia atrás y hacia abajo por si hay niños presentes.
- Nunca lleve niños arriba de la máquina, incluso cuando las cuchillas estén desactivadas. Pueden caerse y lesionarse gravemente o interferir en el funcionamiento seguro de la máquina. Los niños a quienes se les da una vuelta en la máquina pueden aparecer de repente en el área de corte para otra vuelta y ser atropellados o golpeados con la máquina.
- Nunca permita que los niños operen la máquina.
- Tenga extremo cuidado cuando se acerca a curvas sin visibilidad, arbustos, árboles u otros objetos que puedan bloquear su visión e impedir que vea a un niño.

### II. OPERACIÓN GENERAL

- Lea, entienda y siga todas las instrucciones sobre la máquina en el manual antes de comenzar.
- No coloque las manos ni los pies cerca de las partes giratorias ni debajo de la máquina. Manténgase alejado de la abertura de descarga en todo momento.
- Solo permita que los adultos responsables, que estén familiarizados con las instrucciones, operen la máquina.
- Quite de la zona objetos como rocas, juguetes, cables, etc. que podrían engancharse en la cuchilla y ser arrojados.
- Asegúrese de que el área esté libre de personas antes de operar la máquina. Detenga la máquina si alguien entra en el área.

- Nunca transporte pasajeros
- No corte el césped en reversa a menos que sea absolutamente necesario. Siempre mire hacia abajo y hacia atrás antes y cuando vaya en reversa.
- Nunca dirija el material que se descarga hacia nadie. Evite descargar el material contra una pared u otra obstrucción. El material puede rebotar hacia el operador. Detenga las cuchillas cuando atraviese superficies de grava.
- No maneje la máquina si no tiene la trampa para césped completa, la canaleta de descarga u otros dispositivos de seguridad en su lugar y en funcionamiento.
- Desacelere antes de dar la vuelta.
- Nunca deje la máquina en funcionamiento sin vigilar. Siempre apague las hojas, coloque la hoja de estacionamiento y detenga el motor antes de bajarse.
- Desenganche las hojas cuando no esté cortando césped. Apague el motor y espere que todas las piezas se detengan completamente antes de limpiar la máquina, quitar el recogedor de césped o destapar el conducto de expulsión.
- Opere la máquina únicamente durante el día o con buena luz artificial.
- No opere la máquina mientras esté bajo la influencia de alcohol o drogas.
- Esté pendiente del tráfico cuando opere la máquina cerca de caminos o al cruzarlos.
- Tenga extremo cuidado cuando cargue o descargue la máquina de un remolque o camión.
- Use siempre protección ocular cuando opere la máquina.
- Utilice protectores auriculares para evitar daños en los oídos.
- Los datos indican que los operadores de 60 o más años de edad se ven involucrados en un alto porcentaje de lesiones relacionadas con los cortacéspedes. Estos operadores deben evaluar su capacidad para utilizar el cortacésped de forma suficientemente segura como para protegerse a sí mismos y a los demás de lesiones graves.
- Siga las recomendaciones del fabricante para los pesos de las ruedas o los contrapesos.
- Mantenga la máquina sin césped, hojas o acumulación de otros restos que puedan tocar las partes calientes del escape o del motor e inflamarse. No permita que la plataforma de la cortadora de césped levante hojas u otra basura que pueda causar acumulaciones. Limpie cualquier derrame de aceite o combustible antes de operar o almacenar la máquina. Permita que la máquina se enfríe antes de almacenarla.

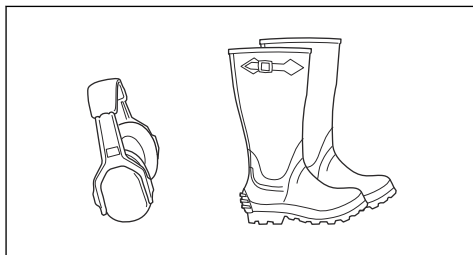
## Instrucciones de seguridad para el funcionamiento

### Equipo de protección personal



**ADVERTENCIA:** Lea atentamente las instrucciones de advertencia siguientes antes de usar el producto.

- Utilice siempre el equipo de protección personal aprobado cuando use el producto. El equipo de protección personal no puede impedir el riesgo de lesiones, pero disminuirá el grado de lesión si ocurre un accidente. Permita que su concesionario lo ayude a seleccionar el equipo adecuado.
- Use siempre protectores auriculares aprobados. La exposición prolongada al ruido puede causar la pérdida permanente de la audición.
- Use siempre zapatos o botas de protección. Se recomienda usar punteras de acero. No utilice el producto descalzo.



- Utilice guantes cuando sea necesario, por ejemplo, cuando conecte, examine o limpie el equipo de corte.
- No use ropa floja, joyas u otros artículos que puedan quedar atrapados en las piezas móviles.
- Mantenga un equipo de primeros auxilios y un extintor de incendios a mano.

### Dispositivos de seguridad en el producto



**ADVERTENCIA:** Lea atentamente las instrucciones de advertencia siguientes antes de usar el producto.

- No utilice un producto con dispositivos de seguridad defectuosos. Revise los dispositivos de seguridad de forma regular. Si los dispositivos de seguridad están defectuosos, comuníquese con su taller de servicio Husqvarna.
- No realice ninguna modificación en los dispositivos de seguridad. No utilice el producto si las placas de protección, las cubiertas de protección, los interruptores de seguridad u otros dispositivos protectores no están acoplados o están defectuosos.

## Para verificar el control de presencia del operador (OPC)



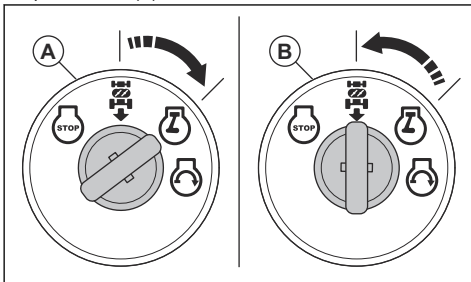
**ADVERTENCIA:** No opere el producto si el control de presencia del operador (OPC, del inglés "Operator Presence Control") está defectuoso. Si el OPC está defectuoso, repárelo inmediatamente. Comuníquese con un taller de servicio autorizado.

- Asegúrese de que el motor no pueda arrancar, a menos que el pedal de freno se presione completamente hacia abajo y el equipo de corte esté desacoplado.
- Asegúrese de que el motor se detenga cuando el operador se aleje del asiento y el freno de estacionamiento esté desacoplado.
- Asegúrese de que el motor se detenga cuando el operador se aleje del asiento y el equipo de corte esté accionado.
- Asegúrese de que el control del embrague del equipo de corte no pueda funcionar cuando el operador esté lejos del asiento.

## Para verificar el sistema de funcionamiento en reversa (ROS)

Si el sistema ROS no funciona correctamente, repare el producto de inmediato. Comuníquese con un taller de servicio autorizado.

1. Encienda el producto. Consulte *Para poner en marcha el producto en la página 49*.
2. Acople el equipo de corte. Consulte *Para acoplar y desacoplar el equipo de corte en la página 52*.
3. Asegúrese de que el motor se detenga cuando intente retroceder con la llave de encendido en la posición on (A).



4. Ponga en marcha el producto y vuelva a acoplar el equipo de corte.
5. Coloque el interruptor de encendido en la posición de encendido de ROS (B).
6. Asegúrese de que el motor no se detenga cuando vaya en reversa con la llave de encendido en la posición de encendido de ROS.

## Para comprobar el freno



**ADVERTENCIA:** El mantenimiento de los frenos es necesario si el producto se utiliza más de 5 pies (1,5 m), y se detiene a la máxima velocidad en la marcha más alta sobre una superficie nivelada y seca.

1. Estacione el producto en una superficie nivelada, seca, de cemento o pavimento. Presione el pedal de freno completamente y acople el freno de estacionamiento.
2. Coloque el control de la rueda libre en la posición de "transmisión desacoplada" para desacoplar la transmisión.
3. Las ruedas traseras deben bloquearse y patinar cuando se intente empujar manualmente el producto hacia delante. Si las ruedas traseras giran, es necesario el mantenimiento del freno.
4. Consulte a un centro de servicio autorizado.

## Freno de estacionamiento



**ADVERTENCIA:** Si el freno de estacionamiento no funciona, el producto puede empezar a moverse y causar lesiones o daños. Asegúrese de revisar y ajustar el freno de estacionamiento con regularidad.

Consulte *Para comprobar el freno en la página 44*.

## Silenciador

El silenciador mantiene los niveles de ruido al mínimo y envía los gases de escape lejos del operador.

No utilice el producto si el silenciador no está instalado o está defectuoso. Un silenciador defectuoso aumenta el nivel de ruido y el riesgo de incendio.



**ADVERTENCIA:** El silenciador se calienta mucho durante y después del uso y cuando el motor funciona en régimen de ralentí. Tenga cuidado cerca de materiales o vapores inflamables para prevenir incendios.

## Para revisar el silenciador

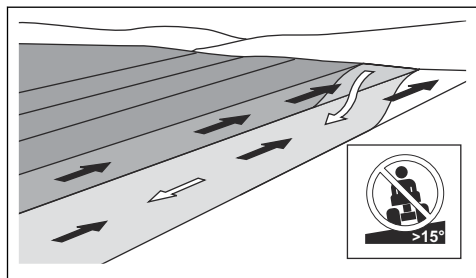
- Examine el silenciador con regularidad para asegurarse de que está instalado correctamente y que no esté dañado.

## Para cortar césped en pendientes



**ADVERTENCIA:** Lea atentamente las instrucciones de advertencia siguientes antes de usar el producto.

- Cortar el césped en pendientes aumenta el riesgo de que no pueda controlar el producto y de que se vuelque. Esto puede provocar lesiones o la muerte. Es necesario tener cuidado al cortar el césped en cualquier pendiente. Si no puede retroceder para subir una pendiente o si no se siente seguro, no la corte.
- Quite las piedras, las ramas y otros obstáculos.
- Corte hacia arriba y hacia abajo por la pendiente, no de lado a lado.
- No descienda una pendiente con el equipo de corte levantado.
- No utilice el producto en suelos con pendientes de más de 15°.



- No efectúe arranques ni paradas en una pendiente.
- Muévase suave y lentamente en pendientes.
- No haga cambios repentinos de velocidad o dirección.
- No gire más de lo necesario. Gire lenta y gradualmente cuando se mueva hacia abajo en una pendiente. Muévase a baja velocidad. Gire la rueda con cuidado.
- Ponga atención a la presencia de surcos, agujeros y baches, y no pase transversalmente por ellos. Existe un mayor riesgo de que el producto se vuelque en suelo que no es plano. El césped alto puede ocultar obstáculos.
- No corte el césped cerca de bordes, zanjas u orillas. El producto puede volcarse repentinamente si una rueda se desplaza por el borde de una pendiente pronunciada o una zanja, o si un borde cede.
- No corte el césped húmedo. Es resbaladizo y los neumáticos pueden perder adherencia, de modo que el producto podría patinar.
- No ponga el pie en el suelo para tratar de darle más estabilidad al producto.
- Si un accesorio u otro objeto instalado pueden restarle estabilidad al producto, muévase con mucho cuidado.

## Seguridad de combustible



**ADVERTENCIA:** Lea atentamente las instrucciones de advertencia siguientes antes de usar el producto.

- La gasolina es inflamable y sus gases son explosivos. Tenga cuidado con el combustible para evitar lesiones, incendios y explosiones.
- No inhale los gases del combustible. Los gases del combustible son tóxicos y pueden provocar lesiones. Asegúrese de que el flujo de aire sea suficiente.
- No retire la tapa del depósito de combustible ni llene el depósito con el motor encendido.
- Deje que el motor se enfríe antes de agregar combustible.
- No llene el depósito de combustible en interiores. Un flujo de aire insuficiente puede causar lesiones graves o fatales por asfixia o debido al monóxido de carbono.
- No fume cerca del combustible o del motor.
- No coloque objetos calientes cerca del combustible o del motor.
- No llene el depósito de combustible cerca de chispas o llamas.
- Antes de llenar el depósito de combustible, abra lentamente la tapa del depósito de combustible y libere la presión con cuidado.
- Si el combustible entra en contacto con la piel, puede provocar lesiones. Si le cae combustible en la piel, quítelo con jabón y agua.
- Si derrama combustible en su ropa, cámbiese la ropa inmediatamente.
- No llene el depósito de combustible completamente. El calor provoca que el combustible se expanda. Deje espacio en la parte superior del depósito de combustible.
- Apriete bien la tapa del depósito de combustible. Si no aprieta la tapa del depósito de combustible, se genera un riesgo de incendio.
- Antes de poner en marcha el producto, colóquelo a una distancia mínima de 3 m/10 pies desde el lugar donde llenó el depósito de combustible.
- No arranque el producto si hay combustible o aceite de motor en el producto. Elimine el combustible y el aceite del motor no deseados y deje que el producto se seque antes de arrancar el motor.
- Examine frecuentemente el motor en busca de fugas. Si hay fugas en el sistema de combustible, no arranque el motor hasta que las repare.
- No busque fugas en el motor con los dedos.
- Almacene el combustible solo en recipientes aprobados.
- Cuando el producto y el combustible estén almacenados, asegúrese de que el combustible y los gases del combustible no puedan causar daños.
- Vacíe el combustible en un recipiente aprobado en exteriores y lejos de chispas y llamas.

## Seguridad de la batería



**ADVERTENCIA:** Una batería dañada puede provocar una explosión y causar lesiones. Si la batería tiene una deformación

o está dañada, hable con un taller de servicio Husqvarna autorizado.

- Quitó los cables de encendido de las bujías.



**ADVERTENCIA:** Lea atentamente las instrucciones de advertencia siguientes antes de usar el producto.

- Utilice gafas protectoras cuando esté cerca de las baterías.
- No use relojes, joyas u otros objetos metálicos cerca de la batería.
- Almacene la batería fuera del alcance de los niños.
- Cargue la batería en un espacio con buena ventilación.
- Mantenga los materiales inflamables a una distancia mínima de 1 m cuando cargue la batería.
- Deseche las baterías que ha reemplazado. Consulte *Eliminación en la página 75*.
- La batería puede generar gases explosivos. No fume cerca de la batería. Mantenga la batería lejos de llamas abiertas y chispas.



**ADVERTENCIA:** Los gases de escape del motor contienen monóxido de carbono, un gas inodoro, tóxico y muy peligroso. No haga funcionar el producto en espacios cerrados o sin suficiente flujo de aire.



**ADVERTENCIA:** Lea atentamente las instrucciones de advertencia antes de realizar mantenimiento al producto.

## Seguridad del transporte

- Utilice un vehículo de transporte aprobado para el transporte del producto.
- Las normativas nacionales o locales de mercados pueden establecer un límite para el transporte del producto.
- El operador de vehículo de transporte es responsable de fijar el producto de forma segura durante el transporte. Consulte *Transporte en la página 74*.

- Para lograr mayores niveles de rendimiento y seguridad, realice el mantenimiento del producto con regularidad como se indica en el programa de mantenimiento. Consulte la sección *Programa de mantenimiento en la página 54*.
- Las sacudidas eléctricas pueden causar lesiones. No toque los cables cuando el motor esté encendido. No haga una prueba de funcionamiento del sistema de encendido con los dedos.
- No arranque el motor si las cubiertas protectoras están desmontadas. Existe un gran riesgo de que las piezas móviles o calientes causen lesiones.
- Deje que el producto se enfríe antes de realizar tareas de mantenimiento cerca del motor.
- Las cuchillas son filosas y pueden causar cortes. Envuelva las cuchillas con protección o utilice guantes protectores cuando trabaje en las cuchillas.
- Siempre ponga el equipo de corte en la posición de servicio para limpiarlo. No estacione el producto cerca del borde de una zanja o pendiente para acceder al equipo de corte.

## Instrucciones de seguridad para el mantenimiento



**ADVERTENCIA:** El producto es pesado y puede causar lesiones o daños a la propiedad o el área adyacente. No realice mantenimiento del motor o del equipo de corte sin cumplir con las siguientes condiciones:

- El sistema está apagado.
- El producto está estacionado en una superficie nivelada.
- El freno de estacionamiento está aplicado.
- La llave de encendido se ha retirado.
- El equipo de corte está desacoplado.



**PRECAUCIÓN:** Lea atentamente las instrucciones siguientes antes de usar el producto.

- No gire el motor si el cable de encendido o la bujía están desconectados.
- Asegúrese de que todas las tuercas y pernos estén correctamente apretados y de que el equipo está en buen estado.
- No cambie el ajuste de los reguladores. Si el régimen del motor es demasiado alto, los componentes del producto pueden dañarse.
- El producto se ha aprobado solo con el equipo proporcionado originalmente o recomendado por el fabricante.

# Montaje

## Introducción



**ADVERTENCIA:** Asegúrese de leer y comprender el capítulo de seguridad antes de montar el producto.

## Para extraer el producto de la caja de cartón

1. Retire las piezas sueltas que se incluyen con el producto.
2. Retire los paneles del extremo.
3. Retire los paneles laterales y colóquelos en una superficie plana.
4. Retire todos los materiales de embalaje.
5. Retire el producto de la caja y asegúrese de que no queden piezas sueltas en la caja.

## Herramientas de montaje

- Llave de 1/2" (13 mm)
- Llaves de 7/16" (11 mm) (2 piezas)
- Calibrador de la presión de los neumáticos
- Cuchilla
- Alicata
- Juego de llaves de cubo (opcional)

## Piezas sueltas que necesitan montaje

El producto no está completamente montado. Las siguientes piezas están sueltas en el momento de comprar el producto.



Llave, 2 piezas



Hoja de pendiente, 1 pieza



Tubo de vaciado de aceite, 1 pieza



Conector de manguera, 1 pieza



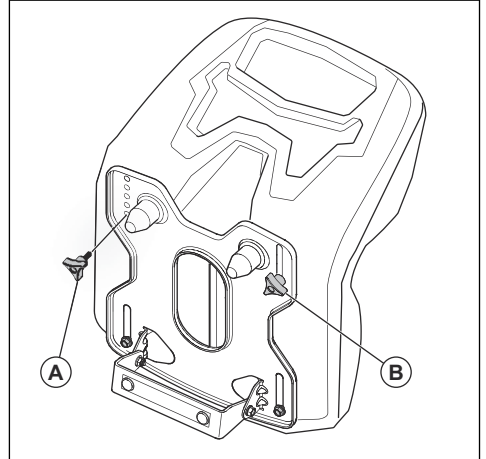
Perno hexagonal, 2 piezas



Tuercas, 2 piezas

## Para ajustar el asiento

1. Levante el asiento y retire la perilla de ajuste de este (A).
2. Afloje la perilla de ajuste del asiento (B).



3. Mueva el asiento hasta que esté en una posición donde pueda presionar los pedales de freno y embrague hacia abajo.
4. Alinee el orificio en la base del asiento para la perilla de ajuste (A) con el agujero en el asiento.
5. Instale y apriete la perilla de ajuste del asiento (A).
6. Apriete la perilla de ajuste del asiento (B).

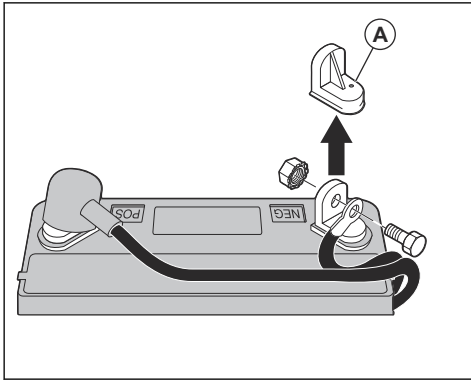
## Para conectar la batería



**ADVERTENCIA:** Riesgo de sacudida eléctrica y quemaduras. No utilice pulseras metálicas ni otros accesorios metálicos. Los elementos metálicos que entran en contacto con los terminales de la batería pueden causar quemaduras, sacudidas eléctricas y cortocircuito de la batería.

**Nota:** Si la fecha actual es posterior al año y al mes que se escribió en la etiqueta de la batería, cárguela. Cargue la batería durante un mínimo de una hora entre 6 y 10 amperios.

1. Busque la ubicación de la batería debajo del asiento o de la cubierta del motor.
2. Levante la base del asiento o la cubierta del motor hasta la posición elevada.
3. Retire los dos tapones del terminal (A) y deséchelos.



4. Conecte el cable rojo de la batería al terminal positivo (+) y apriete el perno y la tuerca como se indica. Mueva la tapa del terminal en el terminal.



**ADVERTENCIA:** Riesgo de chispas. El cable rojo de la batería se debe conectar al terminal positivo antes de conectar el cable negro de la batería al terminal negativo. Esto es para evitar chispas y conexiones accidentales a tierra.

5. Conecte el cable negro al terminal negativo (-) y apriete firmemente el perno y la tuerca.
6. Aplique vaselina en los cables de la batería para evitar la corrosión.
7. Baje la base del asiento o la cubierta del motor.

## Para retirar el producto de la plancha

1. Levante el equipo de corte a su posición más alta. Utilice la palanca de elevación.
2. Presione el pedal del embrague/freno para liberar el freno de estacionamiento.
3. Ponga el control de la rueda libre en la posición Transmission disengaged (Transmisión desacoplada), consulte *Para poner el producto en modo de rueda libre en la página 53*.
4. Empuje el producto hacia delante de la plancha.

5. Quite la correa que sujeta la protección del deflector contra el producto.

## Para comprobar el montaje

- Asegúrese de completar todas las instrucciones de montaje.
- Asegúrese de que no haya piezas restantes en el embalaje.
- Asegúrese de que la batería esté preparada y correctamente cargada.
- Asegúrese de que los pernos del asiento estén apretados y de que el asiento esté ajustado correctamente.
- Asegúrese de que los neumáticos estén correctamente inflados.
- Para obtener mejores resultados de corte, asegúrese de que el equipo de corte esté equilibrado de lado a lado y de la parte delantera a la parte trasera. Asegúrese de que los neumáticos estén correctamente inflados para que el equipo de corte esté equilibrado.
- Examine el equipo de corte y las correas de transmisión. Asegúrese de que las correas estén instaladas correctamente alrededor de las poleas y la parte interior de todos los sujetadores de la correa.
- Examine los cables eléctricos. Asegúrese de que todos los cables y conexiones sean seguros.
- Asegúrese de que el control de la rueda libre esté en la posición Transmission engaged (Transmisión acoplada). Consulte *Para poner el producto en modo de rueda libre en la página 53*.
- Asegúrese de que el aceite del motor esté en el nivel correcto.
- Asegúrese de que el depósito esté lleno con el tipo correcto de combustible.
- Asegúrese de conocer la ubicación y la función de todos los controles.
- Asegúrese de que el sistema de freno esté en condiciones seguras para funcionar.
- Asegúrese de que el control de presencia del operador (OPC) y el sistema de funcionamiento en reversa (ROS, del inglés "Reverse Operation System") funcionen correctamente. Consulte *Para verificar el control de presencia del operador (OPC) en la página 44* y *Para verificar el sistema de funcionamiento en reversa (ROS) en la página 44*.
- Retire el aire de la transmisión antes del primer uso. Consulte *Para extraer el producto desde la transmisión en la página 67*.



# Funcionamiento

## Introducción



**ADVERTENCIA:** Asegúrese de leer y comprender el capítulo de seguridad antes de utilizar el producto.

## Para agregar combustible



**ADVERTENCIA:** La gasolina es muy inflamable. Tenga cuidado y reabastezca combustible al aire libre. Consulte *Seguridad de combustible en la página 45*.



**PRECAUCIÓN:** Utilice siempre el tipo de combustible correcto. El tipo de combustible incorrecto puede causar daños en el producto.

- Utilice el tipo correcto de gasolina. Consulte *Datos técnicos en la página 75*. Para obtener más información sobre el combustible, consulte el manual del motor proporcionado por el fabricante.
- Realice una comprobación del nivel de combustible antes de cada uso y agregue combustible si es necesario.
- No llene completamente el depósito de combustible. Mantenga un espacio mínimo de 1 pulgada.

## Para poner en marcha el producto

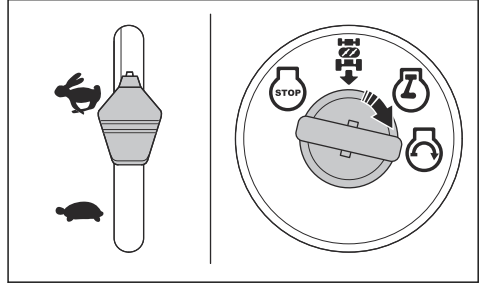
### Antes de arrancar el producto



**ADVERTENCIA:** Antes de operar el producto, lea cuidadosamente y comprenda las instrucciones de seguridad y las instrucciones de funcionamiento.

1. Revise el nivel de aceite del motor. Consulte *Para revisar el nivel de aceite del motor en la página 65*.
2. Llene el depósito con combustible. Consulte *Para agregar combustible en la página 49*.
3. Desconecte el modo de rueda libre. Consulte *Para poner el producto en modo de rueda libre en la página 53*.
4. Siéntese en la posición de operación.
5. Acople el freno de estacionamiento. Consulte *Para acoplar y desacoplar el freno de estacionamiento en la página 51*.
6. Asegúrese de que el equipo de corte esté desacoplado. Consulte *Para acoplar y desacoplar el equipo de corte en la página 52*.

## Para arrancar un motor caliente



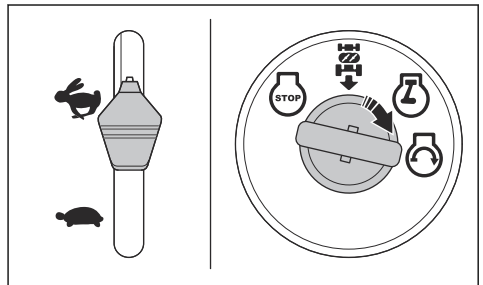
1. Siéntese en el asiento.
2. Asegúrese de que el equipo de corte esté desacoplado. Consulte *Para acoplar y desacoplar el equipo de corte en la página 52*.
3. Coloque el equipo de corte en la posición de transporte. Consulte *Para colocar el equipo de corte en la posición de transporte o posición de corte en la página 50*.
4. Mueva el acelerador a la posición rápida.
5. Pise el pedal de freno completamente y manténgalo presionado.
6. Coloque la llave de encendido en la posición de encendido.
7. Gire la llave de encendido a la posición "START" y suelte la llave de encendido cuando el motor arranque.



**PRECAUCIÓN:** No encienda el motor de arranque de forma continua durante más de 15 segundos por minuto.

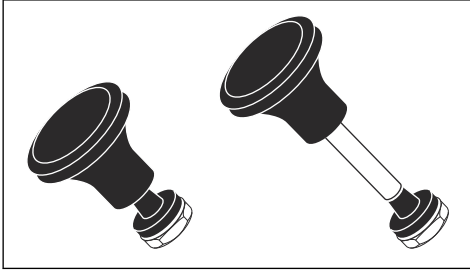
8. Si la temperatura es baja, deje que el motor se caliente antes de comenzar a cortar el césped.

## Para arrancar un motor frío



1. Siéntese en el asiento.

- Asegúrese de que el equipo de corte esté desacoplado. Consulte *Para acoplar y desacoplar el equipo de corte en la página 52*.
- Coloque el equipo de corte en la posición de transporte. Consulte *Para colocar el equipo de corte en la posición de transporte o posición de corte en la página 50*.
- Mueva el acelerador hasta la posición de aceleración intermedia.
- Extraiga el estrangulador.



- Pise el pedal de freno completamente y manténgalo presionado.
- Coloque la llave de encendido en la posición de encendido.
- Gire la llave de encendido a la posición "START" y suelte la llave de encendido cuando el motor arranque.



**PRECAUCIÓN:** No encienda el motor de arranque de forma continua durante más de 15 segundos por minuto.

- Cuando el motor arranque, mueva el acelerador a la posición rápida para calentar el motor. Si la temperatura es baja, se necesitan algunos minutos para que el motor se caliente.



**PRECAUCIÓN:** Si la temperatura ambiente es inferior a 4 °C (40 °F), debe dejar que el motor funcione durante un minuto a régimen de ralentí antes de operar el producto. Esto es para permitir que la transmisión se caliente. Asegúrese de que el pedal de freno está completamente liberado.

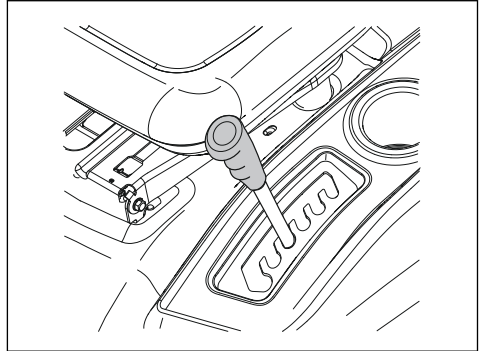
- Presione el estrangulador.

## Para colocar el equipo de corte en la posición de transporte o posición de corte

El equipo de corte debe estar en la posición de transporte durante el transporte.

- Para ajustar el producto en la posición de transporte, tire de la palanca de altura de corte en la dirección del asiento y colóquela en la posición de altura de corte más alta.
- Para ajustar el producto en la posición de corte, ajuste la altura de corte apropiada. Consulte *Ajuste de la altura de corte en la página 50*.

## Ajuste de la altura de corte

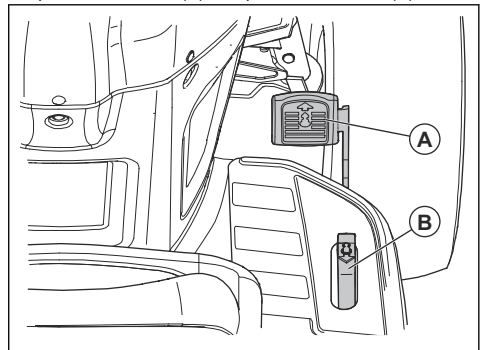


- Tire de la palanca de elevación en la dirección del asiento y colóquela en 1 de las muescas para establecer la altura de corte apropiada.

## Para mover hacia delante y hacia atrás

La dirección y la velocidad del movimiento se controlan por los pedales de avance y reversa.

- Arranque el motor.
- Desacople el freno de estacionamiento. Consulte *Para acoplar y desacoplar el freno de estacionamiento en la página 51*.
- Para iniciar el movimiento, presione lentamente el pedal de avance (A) o el pedal de reversa (B).

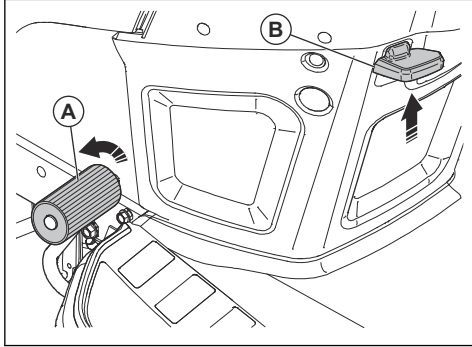


**Nota:** Los pedales de avance y de reversa regresan a la posición neutra cuando no se presionan.

4. Pise más el pedal de mando de avance o el pedal de mando de retroceso para aumentar la velocidad.

## Para acoplar y desacoplar el freno de estacionamiento

1. Para accionar el freno de estacionamiento, presione el pedal de freno (A) completamente hasta la posición más baja.



2. Con el pedal de freno presionado, tire hacia arriba de la palanca del freno de estacionamiento (B).
3. Suelte el pedal de freno.
4. Suelte la palanca del freno de estacionamiento.

**Nota:** Asegúrese de que el freno de estacionamiento detenga la máquina de forma segura.

5. Para soltar el freno de estacionamiento, pise el pedal de freno.

## Para detener el producto

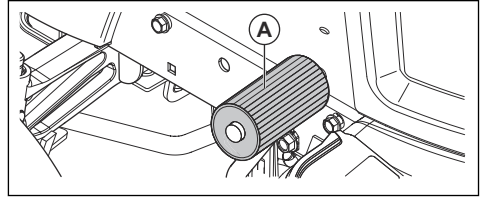


**ADVERTENCIA:** Siempre detenga la máquina, accione el freno de estacionamiento y retire la llave de encendido antes de alejarse del producto.

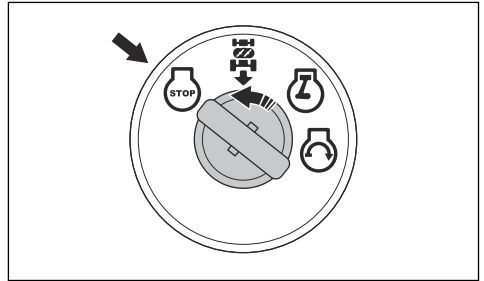


**PRECAUCIÓN:** El gas de escape del motor caliente puede causar daños por quemadura en el césped. Para evitar daños por quemaduras en el césped, siempre detenga el motor cuando detenga el producto en zonas de césped.

1. Pise completamente el pedal de freno (A) hasta que el producto se detenga por completo.

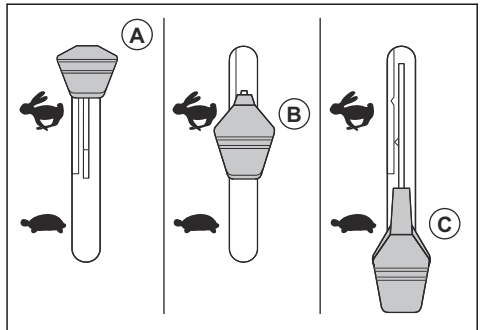


2. Desacople el equipo de corte. Consulte *Para acoplar y desacoplar el equipo de corte en la página 52*.
3. Coloque el acelerador en la posición lenta y deje que el motor funcione a régimen de ralentí durante algunos minutos.
4. Coloque el equipo de corte en la posición de transporte. Consulte *Para colocar el equipo de corte en la posición de transporte o posición de corte en la página 50*.
5. Gire la llave de encendido a la posición "STOP" y retire la llave del encendido.



## Para utilizar el control del acelerador

El acelerador ajusta la velocidad del motor y la velocidad de las hojas en el equipo de corte.



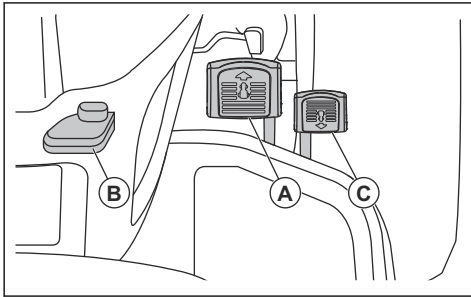
- Ponga el acelerador en la posición de estrangulamiento (A) cuando arranque un motor frío. Consulte *Para arrancar un motor frío en la página 49*.

- Coloque el acelerador en la posición rápida (B) para hacer funcionar el motor a la máxima velocidad. Siempre tenga el acelerador en la posición rápida cuando corte césped.
- Coloque el acelerador en la posición lenta (C) para operar el motor a régimen de ralentí.

## Para utilizar el control de crucero

Utilice solamente el control de crucero para el desplazamiento hacia delante en superficies lisas y uniformes. El control de crucero se desacoplará automáticamente si las condiciones de control de crucero no son satisfactorias.

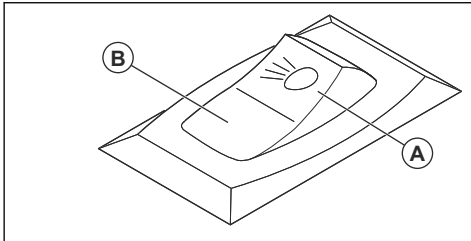
1. Presione el pedal de mando de avance (A). Mantenga el pedal de mando de avance en una posición que facilite alcanzar la velocidad correcta para el terreno.



2. Tire de la palanca de control de crucero (B) hacia arriba y sujétela mientras suelta el pedal de mando de avance.
3. Suelte la palanca para acoplar el control de crucero.
4. Presione el pedal de freno (C) o toque el pedal de mando de avance para desacoplar el control de crucero.

## Para usar el faro delantero

- Presione el interruptor de encendido/apagado a la posición (A) para que el faro delantero se encienda.



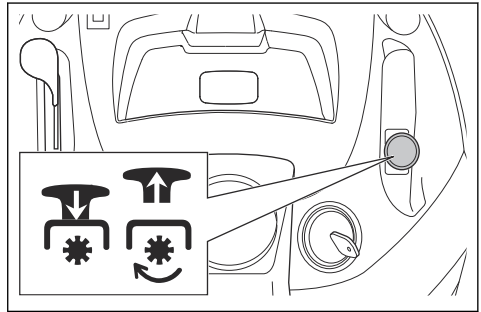
- Presione el interruptor de encendido/apagado a la posición (B) para apagar el faro.

## Para acoplar y desacoplar el equipo de corte

El producto tiene un control de presencia del operador (OPC). Cuando se aleje del asiento con el motor en marcha y el equipo de corte acoplado, el motor se detiene.

Manténgase por completo y en el centro del asiento para asegurarse de que el motor funcione correctamente y de que no se detiene en terrenos irregulares o en pendientes.

1. Ajuste la altura de corte correcta. Consulte *Ajuste de la altura de corte en la página 50*.
2. Mueva el control del embrague de acoplamiento.



- a) Tire del control del embrague de acoplamiento hacia arriba para acoplar el equipo de corte.
- b) Presione el control del embrague de acoplamiento para desacoplar el equipo de corte.

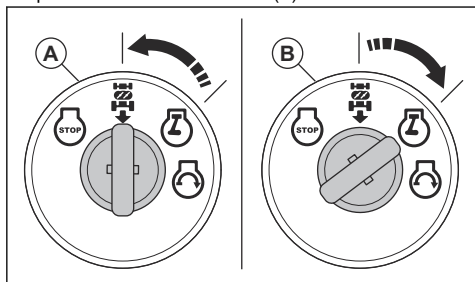
## Para utilizar el sistema de funcionamiento en reversa (ROS)

**Nota:** Si intenta retroceder con el producto cuando el equipo de corte está acoplado, el motor se detiene inmediatamente. Haga que el ROS se desplace hacia atrás con el producto cuando el equipo de corte esté acoplado.



**ADVERTENCIA:** Antes y mientras conduce el producto hacia atrás, mire hacia abajo y detrás del producto para garantizar la seguridad de los demás.

1. Para acoplar el ROS, gire la llave de encendido en el sentido contrario a las agujas del reloj hasta la posición de ROS encendido (A).

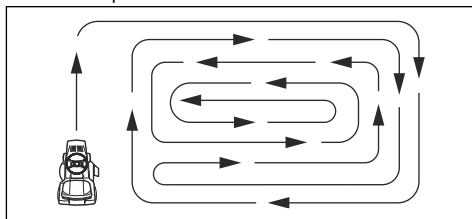


2. Presione lentamente el pedal de mando de reversa para iniciar el movimiento.
3. Para desacoplar el ROS, gire la llave de encendido en el sentido de las agujas del reloj hasta la posición "ON" del motor (B).

## Para conseguir un buen resultado de corte

- Para un mejor funcionamiento, realice el mantenimiento del producto con regularidad como se indica en el programa de mantenimiento. Consulte *Programa de mantenimiento en la página 54*.
- No corte el césped húmedo. El césped húmedo puede causar un mal resultado de corte.
- No utilice las cadenas para neumáticos cuando conecte el equipo de corte al producto.
- Asegúrese de que el equipo de corte esté nivelado. Consulte *Para ajustar el paralelismo del equipo de corte en la página 62*.
- Si el césped está largo, comience con una altura de corte alta y disminúyala gradualmente.
- Avance con el producto a baja velocidad si el césped es alto y grueso.
- Utilice la aceleración máxima cuando corte el césped.
- Corte el césped en un patrón irregular.
- Utilice el lado izquierdo del equipo de corte cuando corte cerca de árboles, arbustos o caminos. La hoja corta a aproximadamente 15 mm del lado del equipo de corte.

- Cuando corte áreas grandes, mueva el producto hacia la derecha durante 1 o 2 vueltas alrededor del área de trabajo. Este procedimiento mantendrá la descarga del césped lejos de arbustos, cercas y entradas de garajes. Después de aproximadamente 2 vueltas alrededor del área de trabajo, corte en el sentido opuesto.



- Para obtener los mejores resultados de corte, corte el césped con frecuencia.

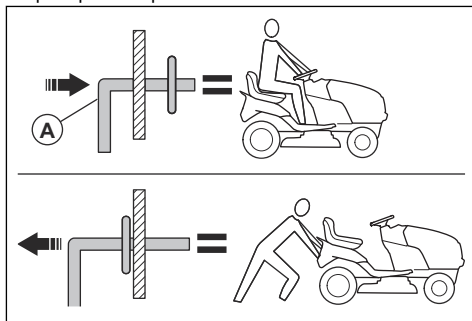
## Para poner el producto en modo de rueda libre

Si es necesario mover o remolcar el producto sin ayuda del motor, debe poner el producto en el modo de rueda libre.



**ADVERTENCIA:** No coloque el producto en modo de rueda libre en una pendiente.

- Presione la palanca de control de rueda libre (A) para poner el producto en modo de rueda libre.



- Tire de la palanca de control de rueda libre para operar el producto con el motor.

## Mantenimiento

### Introducción



**ADVERTENCIA:** Lea detenidamente el capítulo de seguridad antes de realizar mantenimiento en el producto.

## Programa de mantenimiento

| Programa de mantenimiento |  | Antes de cada uso | En intervalos de 8 horas | En intervalos de 25 horas | En intervalos de 50 horas | En intervalos de 100 horas | Cada temporada | Antes del almacenamiento |
|---------------------------|--|-------------------|--------------------------|---------------------------|---------------------------|----------------------------|----------------|--------------------------|
| Producto                  | Compruebe la función del freno.  | X                 | X                        |                           |                           |                            |                |                          |
|                           | Compruebe la presión de los neumáticos.  | X                 | X                        |                           |                           |                            |                |                          |
|                           | Para verificar el control de presencia del operador (OPC).   | X                 |                          |                           |                           |                            |                |                          |
|                           | Para verificar el sistema de funcionamiento en reversa (ROS).  | X                 |                          |                           |                           |                            |                |                          |
|                           | Compruebe si hay sujetadores sueltos.  | X                 |                          |                           |                           | X                          |                | X                        |
|                           | Examine las hojas para detectar si hay desgaste o daños.   |                   |                          |                           | X <sup>2</sup>            |                            |                |                          |
|                           | Lubrique el producto. Consulte <i>Programa de lubricación en la página 55</i> .                        |                   |                          |                           | X                         |                            |                | X                        |
|                           | Compruebe el nivel de la batería.  |                   |                          |                           | X                         |                            |                |                          |
|                           | Limpie la batería y los terminales.  |                   |                          |                           | X                         |                            |                | X                        |
|                           | Limpie las piezas de la placa de dirección. Consulte <i>Para limpiar el producto en la página 56</i> . |                   |                          |                           | X                         |                            |                |                          |
|                           | Revise el ventilador de refrigeración del transeje.  |                   |                          |                           | X                         |                            |                |                          |
|                           | Asegúrese de que el equipo de corte esté nivelado.   |                   |                          |                           |                           | X                          |                |                          |
|                           | Revise las correas en V.   |                   |                          |                           |                           |                            | X              |                          |

<sup>2</sup>

Examine las hojas con mayor frecuencia si corta en áreas donde hay arena y tierra.

| Programa de mantenimiento |  | Antes de cada uso | En intervalos de 8 horas | En intervalos de 25 horas | En intervalos de 50 horas | En intervalos de 100 horas | Cada temporada | Antes del almacenamiento |
|---------------------------|--|-------------------|--------------------------|---------------------------|---------------------------|----------------------------|----------------|--------------------------|
| Motor                     | Revise el nivel de aceite del motor.   | X                 | X                        |                           |                           |                            |                |                          |
|                           | Cambie el aceite del motor (modelos con filtro de aceite).                             |                   |                          |                           | X <sup>1</sup>            |                            |                | X                        |
|                           | Cambie el aceite del motor (modelos sin filtro de aceite).                             |                   |                          | X <sup>1</sup>            |                           |                            |                | X                        |
|                           | Limpie el filtro de aire.  |                   |                          | X <sup>3</sup>            |                           |                            |                |                          |
|                           | Limpie la pantalla de aire.  |                   |                          | X <sup>3</sup>            |                           |                            |                |                          |
|                           | Realice una inspección del silenciador y el apaga-chispas.                             |                   |                          |                           | X                         |                            |                |                          |
|                           | Reemplace el filtro de aceite (si está equipado).                                      |                   |                          |                           |                           | X <sup>1</sup>             | X              |                          |
|                           | Limpie las aletas de refrigeración del motor.  |                   |                          |                           |                           | X <sup>3</sup>             |                |                          |
|                           | Reemplace la bujía.  |                   |                          |                           |                           | X                          | X              |                          |
|                           | Reemplace el cartucho de papel del filtro de aire.                                     |                   |                          |                           |                           | X <sup>3</sup>             |                |                          |
|                           | Reemplazar el filtro de combustible  |                   |                          |                           |                           |                            | X              |                          |
|                           | Revise el silenciador.<br><i>Consulte Para revisar el silenciador en la página 44.</i> |                   |                          |                           |                           | X                          |                |                          |

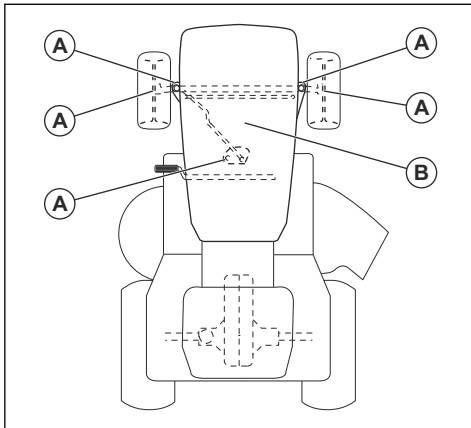
## Programa de lubricación

nailon, utilice solo una pequeña cantidad de lubricante seco.



**PRECAUCIÓN:** No lubrique los puntos de los pivotes que tienen cojinetes de nailon especiales. Los lubricantes pegajosos pueden hacer que se adhiera suciedad. La suciedad reduce la vida útil de los cojinetes de nailon especiales. Si es necesario lubricar los cojinetes de

- <sup>1</sup> Hágalo con mayor frecuencia cuando opere con una carga pesada, en temperatura ambiente elevada o en condiciones de suciedad.
- <sup>1</sup> Hágalo con mayor frecuencia cuando opere con una carga pesada, en temperatura ambiente elevada o en condiciones de suciedad.
- <sup>3</sup> Hágalo con mayor frecuencia si opera en condiciones de suciedad.
- <sup>3</sup> Hágalo con mayor frecuencia si opera en condiciones de suciedad.
- <sup>1</sup> Hágalo con mayor frecuencia cuando opere con una carga pesada, en temperatura ambiente elevada o en condiciones de suciedad.
- <sup>3</sup> Hágalo con mayor frecuencia si opera en condiciones de suciedad.
- <sup>3</sup> Hágalo con mayor frecuencia si opera en condiciones de suciedad.



A. Lubricación general. Lubrique la conexión de engrase del eje, el cojinete de la rueda delantera y los dientes del engranaje de la parte de la dirección.

B. Lubricación del motor. Consulte *Para lubricar el motor en la página 65*.

## Tractor

### Para limpiar el producto

No utilice una manguera de jardín ni una arandela de presión para limpiar la superficie, excepto el puerto de lavado. Mantenga el agua fuera del motor y de la transmisión. El agua en el motor o en la transmisión puede reducir la vida útil del producto. Utilice aire comprimido o una sopladora de hojas para quitar la hierba, las hojas y la basura.

- Limpie todo el material no deseado del motor, la batería, el asiento y otras partes del producto.
- Limpie la contaminación de la placa de dirección. La contaminación limita el movimiento del eje del pedal de freno/embrague, provoca que la correa se suelte y disminuye el movimiento hacia delante.



**PRECAUCIÓN:** Evite todos los puntos de enganche y las partes móviles.

- Mantenga las superficies y las ruedas libres de gasolina, aceite y otros.
- Utilice cera automotriz para prevenir el daño a las superficies.

### Para utilizar el puerto de lavado del equipo



**ADVERTENCIA:** Instale los pernos y contratuercas en todos los agujeros del cortacésped.

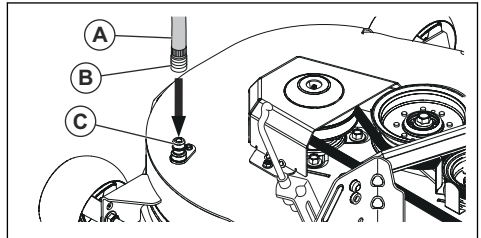


**ADVERTENCIA:** Reemplace el puerto de lavado roto o faltante inmediatamente antes de utilizar el cortacésped.



**ADVERTENCIA:** Un puerto de lavado roto o faltante causa lesiones personales o a otros por objetos arrojados y si toca la cuchilla.

El producto cuenta con puerto de lavado como parte del sistema de lavado del equipo. Úselo después de cada operación.



1. Mueva el producto a un área nivelada y despejada cerca de una manguera de jardín (A) conectada a una salida de agua.



**PRECAUCIÓN:** Asegúrese de que el conducto expulsión se encuentre lejos de edificios, vehículos estacionados y otros elementos de valor. Retire el conducto colector o la cubierta para el triturado si es necesario.

2. Asegúrese de que el control del embrague de acoplamiento se encuentra en la posición "DISENGAGED" (Desacoplada). Accione el freno de estacionamiento y detenga el motor.
3. Coloque el adaptador de boquilla (B) en el extremo de la manguera de jardín (A).
4. Instale el adaptador de boquilla (B) en el puerto de lavado (C) en el extremo izquierdo del equipo de corte. Suelte el collar de bloqueo y bloquee el adaptador de boquilla (B) en el puerto de lavado (C).



**PRECAUCIÓN:** Tire de la manguera (A) para asegurarse de que la conexión es segura.

5. Abra la llave.
6. Siéntese en el asiento del operador. Arranque el motor y coloque la palanca del acelerador en la posición "Fast" (Rápido).



**PRECAUCIÓN:** Asegúrese de que el área esté despejada y que no



haya niños en la zona cuando limpie el equipo.

7. Mueva el control del embrague del accesorio hasta la posición "ENGAGED" (Acoplado). Permanezca en el asiento del operador con el equipo de corte acoplado hasta que el equipo esté limpio.
8. Mueva el control del embrague del accesorio del tractor hasta la posición "DISENGAGED" (Desacoplado). Gire la llave de encendido a la posición STOP (Detener) para apagar el motor. Cierre la llave.
9. Suelte el collar de bloqueo para desconectar el adaptador de boquilla (B) del puerto de lavado (C).
10. Mueva el producto a una zona seca. Ponga el control de acoplamiento en la posición "ENGAGED" (Acoplado) para eliminar el agua no deseada y seque el producto seco antes de moverlo.

### Para ajustar el cable del acelerador

El acelerador se configura en la fábrica y no debería ser necesario el ajuste. Si es necesario realizar un ajuste, consulte el manual del motor.

### Para revisar los enclavamientos y los relés

**Nota:** Los cables sueltos o dañados pueden hacer que su producto funcione de forma insatisfactoria, que deje de funcionar o evitar que arranque.

- Examine los cables.

### Para reemplazar el foco LED

1. Levante la cubierta.
2. Desconecte el arnés de la luz LED.
3. Retire los tornillos de montaje para quitar la luz, el reflector y la lente LED.
4. Cambie la luz, el reflector o la lente LED correctamente.
5. Instale con los tornillos de montaje.
6. Vuelva a conectar el arnés a la luz LED.
7. Cierre la cubierta.

### Para comprobar los neumáticos

**Nota:** Para sellar los orificios de los neumáticos e impedir los neumáticos desinflados debido a fugas lentas, obtenga sellador de su concesionario de piezas locales. El sellador de neumáticos también previene la podredumbre en seco y la corrosión.

- Asegúrese de que la presión del aire de todos los neumáticos sea correcta (consulte los lados de los neumáticos para ver el PSI correcto).
- Mantenga los neumáticos libres de gasolina, aceite o productos químicos para el control de insectos que pueden causar daños al caucho.

- Mantenga los neumáticos lejos de palos, piedras, surcos, objetos afilados y otros objetos peligrosos que pueden causar daño a los neumáticos.

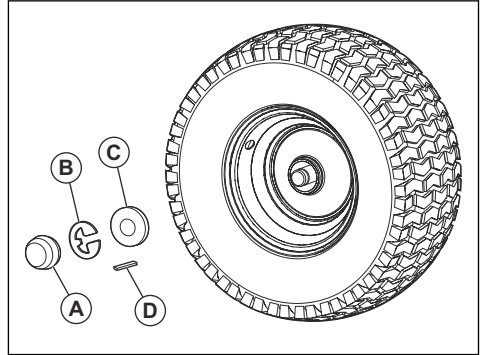
### Para reparar los neumáticos

1. Levante el eje delantero y apóyelo de forma segura.



**PRECAUCIÓN:** Eleve y apoye un eje a la vez.

2. Retire la tapa de polvo (A), el sujetador en E (B), la arandela (C) y la llave cuadrada (D).



**Nota:** Solo hay llaves cuadradas en las ruedas traseras.

3. Quite la rueda del eje.
4. Retire el neumático de la rueda.
5. Repare el neumático.

**Nota:** Utilice sellador de neumáticos para sellar los orificios en el neumático. El sellador de neumáticos también previene la podredumbre en seco y la corrosión.

6. Instale el neumático en la rueda.
7. Instale la rueda, la arandela, la llave cuadrada y el sujetador en E en el eje. Asegúrese de que el sujetador en E esté instalado correctamente en la ranura del eje.
8. Instale la tapa de polvo.

### Para examinar las correas en V

Las correas no son ajustables.

- Examine las correas en V en busca de deterioro o desgaste después de cada intervalo de 100 horas de funcionamiento.
- Sustituya las correas en V si comienzan a moverse porque están demasiado desgastadas.

## Para realizar mantenimiento en el ventilador de refrigeración del transeje.



**PRECAUCIÓN:** No limpie el ventilador o la transmisión mientras el motor esté en marcha o mientras la transmisión esté caliente.



**PRECAUCIÓN:** No utilice lavadores a alta presión ni limpieza a vapor. Podría entrar agua a los cojinetes y las conexiones eléctricas y causar corrosión, lo que puede dañar el producto.

Para mantener la transmisión fría, mantenga limpios el ventilador de la transmisión y las aletas de refrigeración.

- Antes de limpiar con agua, limpie con un cepillo. Quite los cortes de pasto y la suciedad que se encuentren en el ventilador del transeje y las aletas de enfriamiento y alrededor de estos.
- Examine el ventilador de refrigeración para asegurarse de que las cuchillas del ventilador estén limpias y no estén dañadas.

## Para examinar el líquido de la bomba del transeje

- Asegúrese de que no haya fugas de líquido de la bomba del transeje.
- Consulte al centro o departamento de servicio autorizado más cercano si existen fugas de líquido de la bomba del transeje.

## Para ajustar la convergencia y la inclinación de la rueda delantera

La convergencia y la inclinación de la rueda delantera se ajustan correctamente en la fábrica. La convergencia y la inclinación de la rueda delantera no son ajustables.

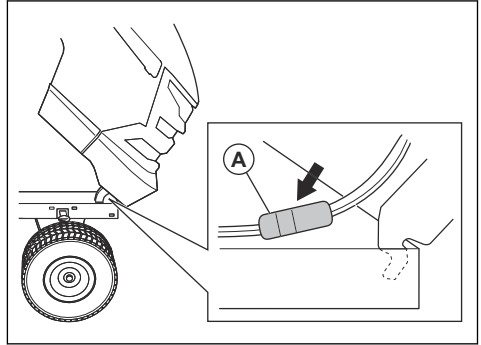
- Consulte a un centro de servicio autorizado si la convergencia o inclinación ajustada de fábrica está dañada.

## Para reemplazar el fusible

Esta máquina tiene dos fusibles automotrices. El sujetador del fusible está ubicado detrás del panel.

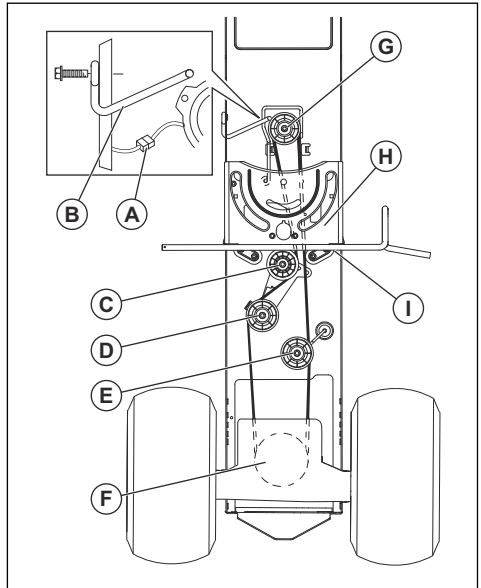
1. Sostenga el portafusibles y tire del fusible quemado.
2. Coloque un fusible nuevo en el portafusibles.

## Para quitar e instalar la cubierta del motor y el conjunto de parrilla



1. Levante la cubierta del motor.
2. Desconecte el conector de cables de los faros (A).
3. Manténgase en frente del tractor. Sostenga la cubierta del motor desde los lados. Incline la cubierta del motor en la dirección del motor y levántela para extraerlo del producto.
4. Vuelva a instalar todo en el orden inverso.

## Para sustituir la correa de transmisión de movimiento



Estacione el producto sobre una superficie nivelada. Acople el freno de estacionamiento. Consulte la etiqueta de instalación de la correa en la parte inferior del reposapiés izquierdo.

1. Retire la correa.
    - a) Retire el cortacésped. Consulte *Para quitar el cortacésped en la página 60.*
- 
- Nota:** Tenga cuidado con la correa de transmisión de movimiento y la posición de las guías de la correa y los sujetadores.
- 
- b) Desconecte el arnés de cableado del embrague (A).
  - c) Retire el eslabón anti rotación (B) en el lado derecho del producto.
  - d) Retire la correa del rodillo inmóvil (C) y el rodillo de embrague (D).
  - e) Retire la correa del rodillo del tramo central (E).
  - f) Tire la correa hacia la parte trasera del producto. Retire cuidadosamente la correa de la polea de transmisión de entrada y por encima de las cuchillas del ventilador de refrigeración (F).
  - g) Retire la correa de la polea del motor y alrededor del embrague eléctrico (G).
  - h) Mueva la correa a la parte trasera del producto y fuera de la placa de dirección (H). Retire del producto.
2. Instale la nueva correa desde la parte trasera del producto a la parte delantera, y por encima de la placa de dirección (H) y del eje del pedal del freno de embrague (I).

- a) Tire la correa a la parte delantera del producto e instale la correa alrededor del embrague eléctrico y sobre la polea del motor (G).
- b) Tire la correa hacia la parte trasera del producto.
- c) Instale cuidadosamente la correa por debajo, alrededor del ventilador de refrigeración de transmisión y sobre la polea de entrada. Asegúrese de que la correa esté dentro del retenedor de la correa.
- d) Instale la correa en el rodillo del tramo central (E).
- e) Instale la correa a través del rodillo inmóvil (C) y el rodillo de embrague (D).
- f) Instale el enlace anti rotación (B) en el lado derecho del producto y apriete completamente.
- g) Conecte el arnés del embrague (A).
- h) Asegúrese de que la correa se encuentre en todas las ranuras de la polea y en todas las guías y sujeciones de la correa.
- i) Instale el cortacésped. Consulte *Para instalar el equipo de corte en la página 61*

## Batería

### Para limpiar la batería y los terminales

La corrosión y la suciedad de la batería y los terminales pueden hacer que la batería pierda energía.

1. Extraiga la protección del terminal.
2. Desconecte el cable NEGRO de la batería.

3. Desconecte el cable ROJO de la batería y retire la batería del producto.
4. Rocíe la batería con agua y déjela secar.
5. Limpie los bornes y los extremos del cable de la batería con un cepillo de alambre.
6. Lubrique los terminales con grasa o un producto equivalente.
7. Instale la batería. Consulte *Para reemplazar la batería en la página 59.*

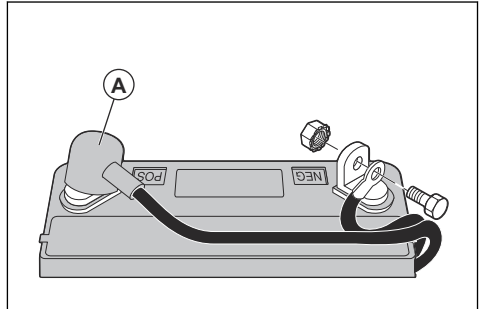
### Para reemplazar la batería

La batería está instalada debajo del asiento.



**ADVERTENCIA:** Riesgo de sacudida eléctrica y quemaduras. No utilice pulseras metálicas ni otros accesorios metálicos. Los elementos metálicos que entran en contacto con los terminales de la batería pueden causar quemaduras, sacudidas eléctricas y cortocircuito de la batería.

1. Detenga la máquina. Consulte *Para detener el producto en la página 51.*
2. Abra la cubierta del motor.
3. Retire las cubiertas de los terminales (A).



4. Quite el perno y la tuerca para desconectar el cable negro (negativo) de la batería del terminal negativo (-).



**ADVERTENCIA:** Riesgo de sacudida eléctrica y quemaduras. El cable negro (negativo) de la batería debe desconectarse antes de desconectar el cable rojo (positivo) de la batería.

5. Quite el perno y la tuerca para desconectar el cable rojo (positivo) de la batería del terminal positivo (+).
6. Retire con cuidado la batería del producto.
7. Instale una batería nueva.
8. Conecte el cable rojo (positivo) de la batería al terminal positivo (+) y apriete el perno y la tuerca.



**ADVERTENCIA:** Riesgo de sacudida eléctrica y quemaduras. El cable rojo (positivo) de la batería se debe conectar al terminal positivo (+) antes de conectar el cable negro (negativo) de la batería al terminal negativo (-) para evitar lesiones y una conexión a tierra accidental.

9. Conecte el cable negro (negativo) de la batería al terminal negativo (-) y apriete el perno y la tuerca.
10. Instale las cubiertas de los terminales.
11. Cierre la cubierta del motor.

### Para conectar los cables de puente

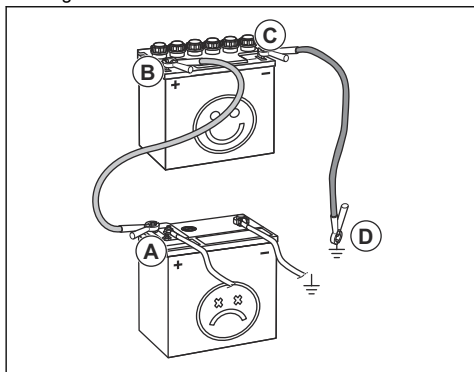


**ADVERTENCIA:** Existe riesgo de explosión debido a los gases explosivos procedentes de la batería. No conecte el terminal negativo de la batería cargada al terminal negativo de la batería con poca carga ni cerca de este.



**PRECAUCIÓN:** No utilice la batería de su producto para arrancar otros vehículos.

1. Conecte un extremo del cable rojo de la batería al terminal POSITIVO (+) (A) de la batería con poca carga.



2. Conecte el otro extremo del cable rojo de la batería al terminal POSITIVO (+) (B) de la batería cargada.



**ADVERTENCIA:** No deje que los extremos del cable rojo de la batería hagan contacto con el chasis, ya que esto provocaría un cortocircuito.

3. Conecte un extremo del cable negro de la batería al terminal NEGATIVO (-) (C) de la batería cargada.

4. Conecte el otro extremo del cable negro de la batería a una CONEXIÓN A TIERRA DEL CHASIS (D), lejos del depósito de combustible y de la batería.

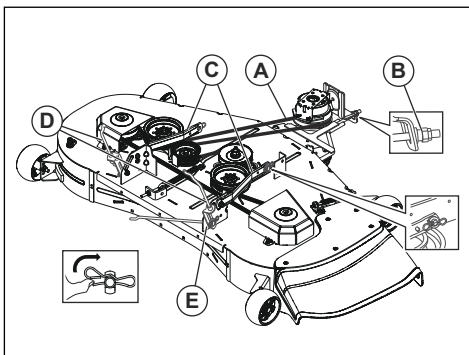
### Para retirar los cables de puente

**Nota:** Quite los cables de puente en la secuencia opuesta a cómo los conectó.

1. Quite el cable NEGRO del chasis.
2. Quite el cable NEGRO de la batería totalmente cargada.
3. Quite el cable ROJO de las 2 baterías.

### Equipo de corte

#### Para quitar el cortacésped



1. Ajuste el interruptor de embrague de acoplamiento a la posición desacoplada.
2. Baje la palanca de elevación del equipo a su posición más baja.
3. Retire la correa de transmisión del cortacésped de la polea del embrague eléctrico (A). Consulte *Para retirar la correa de transmisión del cortacésped en la página 64*.
4. Retire el muelle retenedor y la arandela para desconectar el eslabón delantero (B) del cortacésped.
5. Vaya a un lado del cortacésped.
6. Desconecte el brazo de suspensión del cortacésped (C) del chasis.
7. Desconecte el eslabón de levantamiento trasero (D) del soporte trasero del cortacésped (E).
8. Vaya a otro lado del cortacésped y desconecte el brazo de suspensión y el eslabón de elevación trasera.



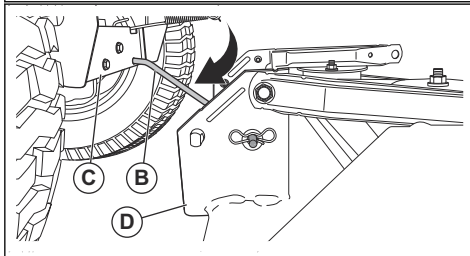
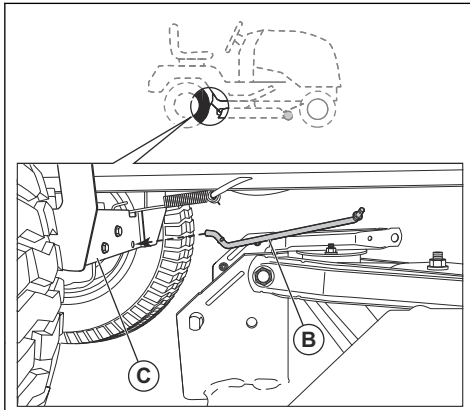
**PRECAUCIÓN:** Después de que se desconectan los eslabones de elevación trasera, la palanca de elevación de accesorio se accionará

por el resorte. Sujete la palanca de elevación firmemente cuando cambie la posición de la palanca.

9. Quite el cortacésped del producto.

### Para instalar el equipo de corte

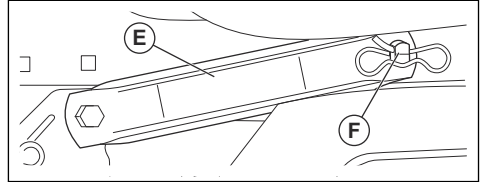
1. Estacione el producto en una superficie nivelada y accione el freno de estacionamiento. Consulte *Para acoplar y desacoplar el freno de estacionamiento en la página 51*.
2. Baje la palanca de elevación del equipo de corte hasta la posición más baja. Asegúrese de que los brazos de suspensión del equipo de corte apunten hacia delante.
3. Mueva el equipo de corte debajo del producto hasta que quede en el centro.
4. Instale la barra antioscilación (B), si corresponde.



- a) Desde el lado derecho, coloque el extremo de 90° de la barra antioscilación (B) en el orificio del soporte del transeje (C).

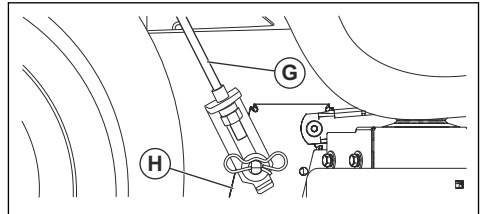
**Nota:** El soporte del transeje (C) puede ser diferente de la ilustración, pero el orificio para la barra antioscilación se encuentra en la misma posición.

- b) Haga oscilar el extremo con la arandela integrada de la barra antioscilación (S) hacia el soporte trasero del equipo de corte en el lado derecho del equipo.
  - c) Mueva el equipo de corte para colocar el extremo con la arandela integrada en el orificio del soporte trasero del equipo de corte (D).
  - d) Instale la arandela pequeña y el muelle retenedor pequeño como se indica.
5. Instale los brazos de suspensión laterales del equipo de corte (E) en el chasis.



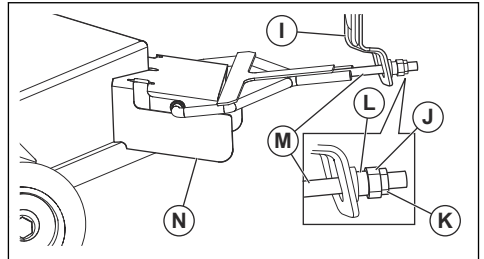
- a) Coloque el orificio en el brazo de suspensión por encima del pasador (F) en la superficie exterior del chasis.
- b) Instale el resorte de retención.
- c) Realice los pasos A y B en el lado opuesto del producto.

6. Conecte los eslabones de elevación traseros (G).

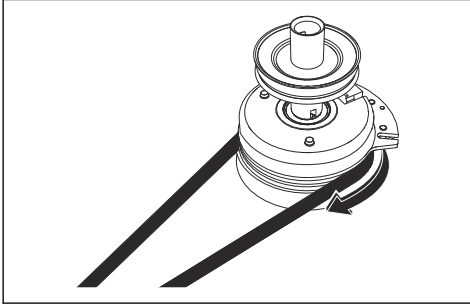


- a) Levante la esquina trasera del equipo de corte.
- b) Coloque la ranura en el conjunto del eslabón sobre el pasador situado en el soporte trasero del equipo de corte (H).
- c) Instale la arandela y el muelle retenedor.
- d) Realice los pasos de A a C en el lado opuesto del producto.

7. Fije el eslabón delantero (M). Realice este procedimiento en el lado izquierdo del producto.



- a) Coloque el extremo de la varilla que tiene una rosca para el conjunto del eslabón a través del orificio frontal en el soporte de suspensión (I).
  - b) Instale el buje (L) e instale sin apretar la tuerca (J) y la tuerca de inmovilización (K).
  - c) Ponga los extremos curvados del eslabón delantero (M) en las ranuras del soporte frontal del equipo de corte (N).
8. Examine la altura delantera con respecto a la altura trasera. Si es necesario realizar ajustes, consulte *Para ajustar el paralelismo del equipo de corte en la página 62.*
  9. Instale la correa de transmisión del equipo de corte en la polea del embrague eléctrico.



**PRECAUCIÓN:** Revise que la correa de transmisión esté dispuesta correctamente en todas las ranuras de las poleas del equipo de corte.

10. Ajuste la palanca de elevación del equipo de corte en la posición más alta.
11. Si es necesario, ajuste las ruedas del calibrador antes de operar el equipo de corte. Consulte *Para ajustar las ruedas de apoyo en la página 64.*

### Para ajustar el paralelismo del equipo de corte

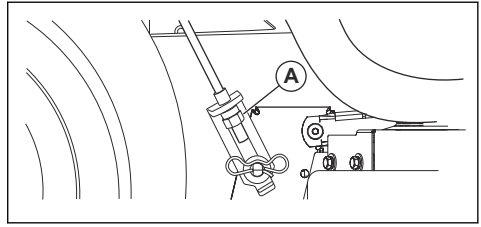
#### Para realizar un ajuste visual de lado a lado del equipo de corte

Si la altura de corte no es la misma en los lados derecho e izquierdo de la máquina, se puede ajustar la altura de corte. Ajuste la altura de corte en el lado del equipo de corte que tenga la menor altura de corte.

1. Asegúrese de que los neumáticos estén totalmente inflados.
2. Estacione el producto sobre una superficie nivelada.
3. Diríjase al costado del equipo de corte que tenga la altura de corte más baja.

**Nota:** Algunos modelos solo tienen ajuste del lado izquierdo.

4. Ajuste la altura de corte con una llave de 3/4".



**Nota:** Cada vuelta completa de la tuerca de ajuste cambia la altura del equipo de corte a aproximadamente 4,7 mm (3/16").

- a) Gire la tuerca de ajuste de elevación (A) hacia la izquierda para bajar el equipo de corte.
  - b) Gire la tuerca de ajuste de elevación (A) hacia la derecha para subir el equipo de corte.
5. Corte un poco de pasto y examine los resultados. Ajuste si es necesario.

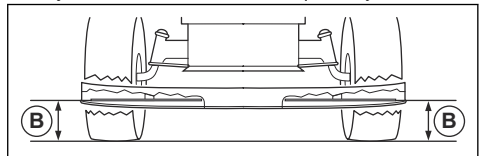
#### Para realizar un ajuste preciso de lado a lado del equipo de corte

1. Asegúrese de que los neumáticos estén totalmente inflados.
2. Estacione el producto sobre una superficie nivelada.
3. Coloque el equipo de corte en la posición de transporte. Consulte *Para colocar el equipo de corte en la posición de transporte o posición de corte en la página 50.*
4. Gire las puntas externas de la cuchilla para alinearlas con el equipo de corte de lado a lado.



**ADVERTENCIA:** Las cuchillas del equipo de corte están afiladas y pueden causar lesiones. Use guantes protectores.

5. Mida la distancia (B) desde el borde inferior de la hoja hasta el suelo en el lado izquierdo y derecho.

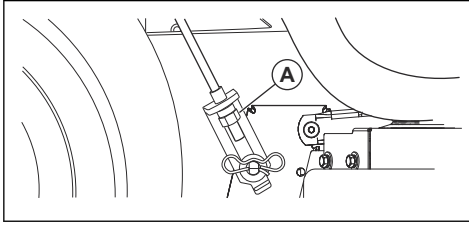


**Nota:** La distancia debe ser igual en los dos lados.

6. Ajuste la altura de corte con una llave de 3/4".

**Nota:** Cada vuelta completa de la tuerca de ajuste de elevación cambia la altura de corte en 4,7 mm (3/16").

- a) Gire la tuerca de ajuste de elevación (A) hacia la izquierda para bajar el equipo de corte.



- b) Gire la tuerca de ajuste de elevación (A) hacia la derecha para subir el equipo de corte.
7. Mida nuevamente la distancia. Ajuste hasta que los 2 lados sean iguales.
8. Corte un poco de pasto y examine los resultados. Ajuste si es necesario.

### Para realizar el ajuste de adelante hacia atrás del equipo de corte

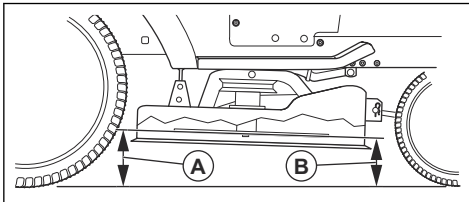
El equipo de corte debe estar nivelado de lado a lado antes de realizar el ajuste de la parte delantera respecto de la parte trasera. Consulte *Para realizar un ajuste visual de lado a lado del equipo de corte en la página 62*.

1. Asegúrese de que los neumáticos estén totalmente inflados.
2. Estacione el producto sobre una superficie nivelada.
3. Coloque el equipo de corte en la posición de transporte. Consulte *Para colocar el equipo de corte en la posición de transporte o posición de corte en la página 50*.
4. Gire las hojas hasta que apunten hacia adelante.



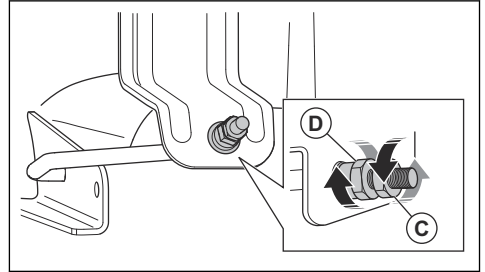
**ADVERTENCIA:** Las cuchillas del equipo de corte están afiladas y pueden causar lesiones. Use guantes protectores.

5. Mida la distancia hasta el suelo en los extremos delantero (B) y trasero (A) de la cuchilla.



**Nota:** Para obtener los mejores resultados de corte, las hojas deben estar ajustadas hasta que el extremo delantero esté entre 3,1 y 12,7 mm (1/8 y 1/2") más bajo que el extremo trasero cuando el equipo de corte esté en su posición más alta.

6. Vaya a la parte delantera de la máquina para hacer un ajuste.
7. Con una llave de 11/16", afloje la tuerca de inmovilización (C) para despejar la tuerca de ajuste de elevación (D).



8. Ajuste la altura del equipo de corte con una llave de 3/4".

**Nota:** Cada vuelta completa de la tuerca de ajuste de elevación cambia la altura del equipo de corte en 3,1 mm (1/8").

- a) Gire la tuerca de ajuste de elevación hacia el sentido contrario de las agujas del reloj para bajar el equipo de corte.
  - b) Gire la tuerca de ajuste de elevación en el sentido a las agujas del reloj para elevar el equipo de corte.
9. Mida nuevamente la distancia delantera y trasera.
  10. Ajuste hasta que el extremo delantero de la hoja esté de 3,1 mm a 12,7 mm (de 1/8" a 1/2") más bajo que el extremo trasero.
  11. Sujete la tuerca de ajuste de elevación en su posición con la llave y apriete la tuerca de inmovilización.

### Para sustituir las hojas

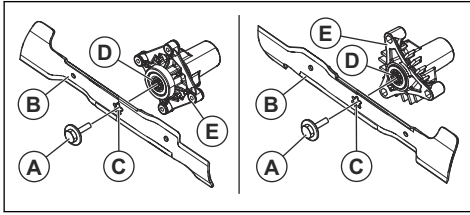
Para obtener mejores resultados, mantenga las cuchillas de corte afiladas. Sustituya las cuchillas dobladas o dañadas.



**PRECAUCIÓN:** Utilice solo una cuchilla de reemplazo aprobada por el fabricante. Es peligroso usar una cuchilla no aprobada por el fabricante del producto. Esto puede causar daños en el producto y anular la garantía.

1. Coloque el equipo de corte en la posición de transporte. Consulte *Para colocar el equipo de corte en la posición de transporte o posición de corte en la página 50*.

- Quite el perno (A) girándolo hacia el sentido contrario a las agujas del reloj y quite la hoja (B).



**ADVERTENCIA:** Las cuchillas del equipo de corte están afiladas y pueden causar lesiones. Use guantes protectores.

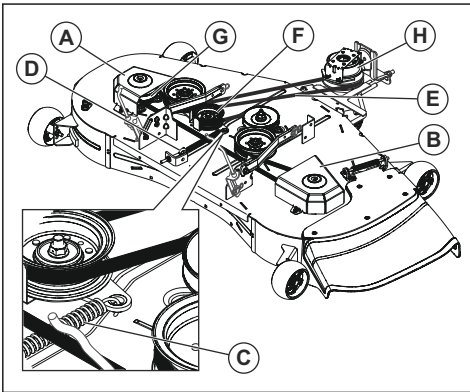
- Instale la cuchilla nueva o afilada y el perno.



**PRECAUCIÓN:** El orificio central (C) en la hoja se debe alinear con la estrella (D) en el conjunto del mandril (E).

- Apriete el perno entre 62 y 75 Nm (entre 45 y 55 lb-pie).

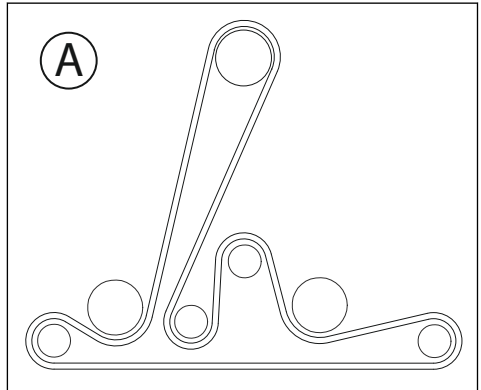
### Para retirar la correa de transmisión del cortacésped



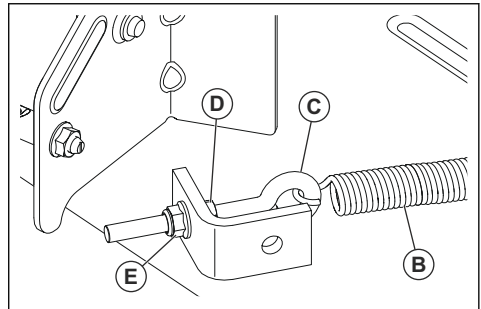
- Estacione el producto en una superficie nivelada y accione el freno de estacionamiento.
- Baje la palanca de elevación del equipo a su posición más baja.
- Retire las cubiertas del mandril (A y B).
- Retire la suciedad o recortes de hierba de alrededor de los mandriles y de la superficie superior del equipo.
- Retire el muelle (C) del perno de anillo (D).
- Retire la correa (E) de todas las poleas (F y G).
- Retire la correa (E) de alrededor del embrague eléctrico (H) del eje del motor.

### Para instalar la correa de transmisión del cortacésped

**Nota:** Para facilitar la instalación de la correa del equipo, consulte la etiqueta de ruta en el equipo de corte.



- Instale la correa alrededor de todas las poleas (A). Asegúrese de que la correa no esté torcida.
- Conecte el muelle (B) al perno de anillo (C).



- Ajuste la tensión de la correa hasta que el resorte se extienda a una longitud de 5,75 pulg. (14,6 cm).
  - Aloje la tuerca de ajuste interior (D).
  - Gire la tuerca de ajuste (E) hacia la derecha para aumentar la tensión y hacia la izquierda para disminuir la tensión.
  - Apriete la tuerca de ajuste interna (D) completamente.
- Ponga las cubiertas del mandril en los dos compartimientos del mandril y apriételas con sujetadores.

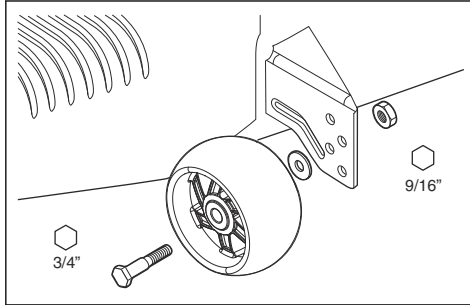
### Para ajustar las ruedas de apoyo

Las ruedas de apoyo mantienen el equipo de corte en la posición correcta sobre el suelo y evitan el corte al ras del césped en la mayoría de las condiciones del terreno. Las ruedas de apoyo están correctamente ajustadas



cuando están un poco separadas del suelo y el equipo de corte está a la altura de corte requerida.

1. Estacione el producto en una superficie nivelada y detenga el motor.
2. Ajuste el producto hasta la altura de corte requerida. Consulte *Ajuste de la altura de corte en la página 50*.
3. Retire la tuerca, el perno, la arandela y la rueda de apoyo.

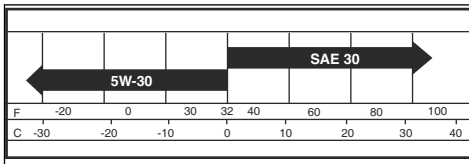


4. Instale la rueda de apoyo, el perno, la arandela y la tuerca en la posición correcta.
5. Ajuste todas las ruedas de apoyo e instélaslas en el mismo procedimiento.

## Motor

### Para lubricar el motor

Use solo un aceite detergente de alta calidad calificado con la clasificación SJ-SN de servicio de API. El grado de viscosidad SAE del aceite se refiere a la temperatura correcta para el funcionamiento.



**Nota:** Los aceites de viscosidad múltiple (5W30, 10W30, etc.) ayudan a que el motor arranque fácilmente en climas fríos, pero genera un mayor consumo de aceite cuando se utilizan en temperaturas superiores a los 0 °C/32 °F. Compruebe el nivel de aceite del motor frecuentemente para evitar posibles daños al motor causados por el bajo nivel de aceite.

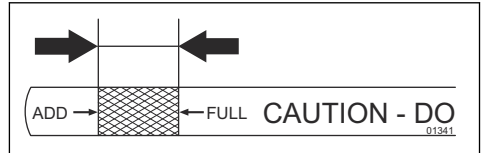
- Cambie el aceite a intervalos de 50 horas de funcionamiento. Si el producto no se utiliza durante 50 horas en un año, cambie el aceite un mínimo de una vez al año.
- Compruebe el nivel del aceite del cárter antes de arrancar el motor y después de cada ocho (8) horas de funcionamiento.

- Apriete la tapa/varilla de llenado de aceite cada vez que realice una comprobación del nivel de aceite.

### Para revisar el nivel de aceite del motor

El motor del producto se llena con aceite del motor a una temperatura ambiente superior a 0 °C (32 °F). Para la operación a una temperatura ambiente inferior a 0 °C (32 °F), utilice el aceite del motor correcto para facilitar el arranque del producto. Consulte *Para lubricar el motor en la página 65*.

1. Estacione el producto en un terreno plano.
2. Retire la tapa de llenado de aceite y la varilla de nivel y límpiela con un paño.
3. Ponga la varilla de nivel en el tubo de llenado de aceite. No gire la tapa de llenado de aceite hacia el tubo de llenado de aceite.
4. Quite la varilla de nivel. Utilice el calibrador en la varilla de nivel para examinar el nivel de aceite del motor. Si es necesario, agregue aceite del motor hasta alcanzar la marca de "FULL" (Lleno) en la varilla de nivel. No ponga demasiado aceite del motor.



5. Ponga la varilla de nivel en el tubo de llenado de aceite. Asegúrese de que la tapa de llenado de aceite esté completamente apretada.

**Nota:** Para reemplazar el aceite del motor, consulte *Para cambiar el aceite del motor en la página 65*.

### Para cambiar el aceite del motor

**Nota:** Todo el aceite debe cumplir con la clasificación SJ-SN de servicio de API.

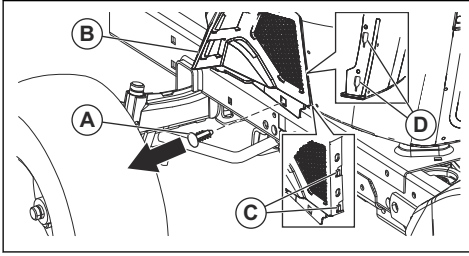
**Nota:** El aceite se drena con más facilidad cuando el motor está caliente.

Asegúrese de que el producto esté en una superficie nivelada antes de enlazar el aceite del motor. Coloque el rango posible de temperatura antes de cambiar el aceite.

Recolecte el aceite en un contenedor aplicable.

1. Levante la cubierta.

2. Retire el sujetador (A) de la cubierta del tablero inferior (B).



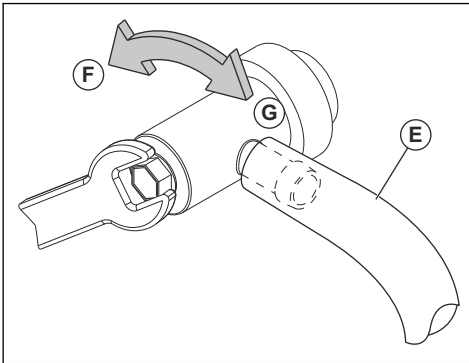
**PRECAUCIÓN:** Retire la cubierta del tablero inferior (A) cuidadosamente para asegurarse de que las lengüetas de la cubierta (C) no estén rotas.

3. Mueva la cubierta del tablero inferior (B) para soltar las lengüetas de la cubierta (C) de las ranuras cónicas (D) en la cubierta del tablero inferior (B) y, luego, retire.
4. Retire la tapa de llenado de aceite y la varilla de nivel.



**PRECAUCIÓN:** Tenga cuidado de no dejar ingresar suciedad en el motor cuando cambie el aceite.

5. Instale el tubo de drenaje (E) en la válvula de drenaje de aceite.



6. Gire la válvula hacia la izquierda con una llave de 10 mm para abrir la válvula de drenaje de aceite (F).
7. Gire la válvula de drenaje hacia la derecha para cerrarla (G) cuando se drene el aceite.

**Nota:** Utilice una llave de 10 mm para aplicar una pequeña cantidad de par para mantener cerrada la válvula de drenaje. No apriete demasiado firme.

8. Retire el tubo de drenaje (E) y manténgalo.
9. Llene el motor con aceite nuevo a través del tubo de varilla de nivel de llenado de aceite.

**Nota:** Ponga el aceite en el motor lentamente. No llene el motor con demasiado aceite. Para conocer la capacidad aproximada, consulte *Datos técnicos en la página 75*.

10. Utilice el calibrador en la varilla de nivel de llenado de aceite para comprobar el nivel de aceite.
- Coloque la varilla de nivel en el tubo y deje que la tapa de llenado de aceite toque la parte superior del tubo.
  - No apriete la tapa en el tubo cuando compruebe el nivel del aceite.
  - Asegúrese de que el aceite esté en la línea de "FULL" (LLENO) de la varilla de nivel.
  - Apriete firmemente la tapa en el tubo cuando complete la comprobación.

### Para reemplazar el filtro de aceite del motor



**ADVERTENCIA:** Use guantes protectores. Si se derrama aceite del motor en su cuerpo, limpie con agua y jabón.

- Drene el aceite del motor del depósito de aceite. Consulte *Para cambiar el aceite del motor en la página 65*.
- Gire el filtro de aceite del motor hacia la izquierda para retirarlo.
- Lubrique ligeramente la junta de goma del nuevo filtro de aceite con aceite de motor nuevo.
- Para instalar el nuevo filtro de aceite, gírelo en el sentido de las agujas del reloj hasta que la junta de goma quede en su posición correctamente y, luego, apriete media vuelta más.
- Llene el depósito de aceite con aceite de motor nuevo. Consulte *Para cambiar el aceite del motor en la página 65*.
- Arranque el motor y déjelo funcionar en régimen de ralentí durante 3 minutos.
- Detenga el motor y asegúrese de que no haya fugas de aceite en el filtro de aceite.

**Nota:** Si hay fugas de aceite, apriete el filtro de aceite nuevamente.

- Llene el depósito de aceite con un poco más de aceite para reemplazar el que se absorbió por el nuevo filtro de aceite.

### Para limpiar el filtro de aire

El motor no funcionará de forma satisfactoria con un filtro de aire sucio. Limpie el filtro de aire con más frecuencia en condiciones polvorientas.

## Para limpiar la pantalla de aire

**Nota:** La pantalla de aire se debe mantener libre de suciedad para evitar daños al motor causados por un sobrecalentamiento.

- Limpie la pantalla de aire con un cepillo de alambre o con aire comprimido para eliminar la suciedad.

## Para realizar mantenimiento en el sistema refrigerante del motor

**Nota:** Una pantalla de césped bloqueada, las aletas de refrigeración sucias o llenas, una carcasa de la sopladora retirada, etcétera, pueden hacer que el motor se caliente demasiado y causar daños en el motor.

- Asegúrese de que la pantalla de césped, las aletas de refrigeración y otras superficies externas del motor estén limpias en todo momento.
- Después de cada intervalo de 100 horas de funcionamiento (con más frecuencia en condiciones polvorientas y de suciedad extremas), retire la carcasa de la sopladora y otras piezas del sistema refrigerante del motor. Limpie las aletas de enfriamiento y las superficies externas conforme sea necesario. Asegúrese de que las piezas del sistema refrigerante del motor se instalen correctamente.

## Para realizar tareas de mantenimiento en el silenciador

La corrosión en el silenciador y el apagachispas puede causar incendios o daños.

- Examine el silenciador y el apagachispas (si el producto tiene uno) y reemplácelos si es necesario.

## Para reemplazar las bujías

El tipo de bujía y el espacio (ajuste de la separación) se muestran en *Datos técnicos en la página 75*.

- Reemplace las bujías al comienzo de cada temporada de corte o después de cada intervalo de 100 horas de funcionamiento.

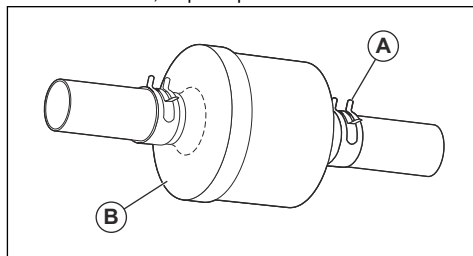
## Para reemplazar el filtro de combustible en línea

**Nota:** Reemplace el filtro de combustible en línea cada año como mínimo.

Reemplace el filtro en línea cuando se obstruya y detenga el flujo de combustible al carburador.

1. Deje que el motor se enfríe.
2. Retire el filtro de combustible en línea (B) y selle las secciones de línea de combustible con tapones.

3. Coloque el nuevo filtro de combustible en línea en su posición en el tubo de combustible con la flecha apuntando hacia el carburador.
4. Asegúrese de que no haya fugas en la tubería de combustible y que las abrazaderas (A) estén en la posición correcta.
5. Si se derrama, limpie el producto inmediatamente.



## Para extraer el producto desde la transmisión



**PRECAUCIÓN:** No acople ni desacople la palanca de rueda libre mientras el motor esté en marcha.

Para mantener el alto rendimiento, retire el aire en la transmisión antes de operar el producto por primera vez.

Si reemplaza la transmisión, retire el aire en la nueva transmisión antes de operar el producto.

1. Estacione el producto en una superficie horizontal que esté despejada y abierta.
2. Detenga el motor y acople el freno de estacionamiento.
3. Coloque el control de la rueda libre en la posición desacoplada. Consulte *Para poner el producto en modo de rueda libre en la página 53*.
4. Arranque el motor. Una vez que el motor haya arrancado, mueva el acelerador a la posición lenta y, luego, desacople el freno de estacionamiento.
5. Realice los pasos que siguen 3 veces.

**Nota:** Durante este procedimiento, puede haber movimiento de las ruedas motrices.

- a) Pise el pedal de avance hasta la posición de avance máxima y manténgalo presionado durante 5 segundos antes de soltarlo.
- b) Pise el pedal de marcha atrás hasta la posición de inversa máxima y manténgalo presionado durante 5 segundos antes de soltarlo.
6. Detenga el motor y acople el freno de estacionamiento.

7. Coloque el control de la rueda libre en la posición acoplada. Consulte *Para poner el producto en modo de rueda libre en la página 53*.
8. Siéntese en el asiento y arranque el motor. Una vez que el motor haya arrancado, mueva lentamente el acelerador a la posición de aceleración máxima.
9. Desacople el freno de estacionamiento.
10. Opere el producto hacia delante aproximadamente 5 pies (1,5 m) y luego hacia atrás por 5 pies (1,5 m). Realice este procedimiento tres veces.

---

## Solución de problemas

---

| Problema  | Causa  | Acción  |
|---|--|---|
| El motor no arranca.  | No hay combustible en el depósito de combustible.        | Llene el depósito de combustible.   |
|   | El acelerador no está en la posición correcta.           | Consulte las instrucciones de arranque.   |
|   | La bujía está defectuosa.                                | Reemplace la bujía.   |
|   | El filtro de aire está sucio.                            | Limpie o reemplace el filtro de aire.   |
|   | El filtro de combustible está obstruido.                 | Reemplace el filtro de combustible.   |
|   | Hay agua en el combustible.                              | Quite todo el combustible del depósito de combustible y del carburador. Llene el depósito de combustible con combustible nuevo y cambie el filtro de combustible. |
|   | Los cables están sueltos o dañados.                      | Compruebe todos los cables.   |
|   | Las válvulas del motor no están ajustadas correctamente. | Comuníquese con un taller de servicio autorizado.   |
|   | El motor está inundado.                                  | Espere de 2 a 3 minutos antes de intentar arrancar el motor nuevamente.   |
| El combustible en el depósito de combustible está defectuoso. | Cambie el combustible en el depósito de combustible.     |   |

| <b>Problema</b>                              | <b>Causa</b>   | <b>Acción</b>   |
|--|--|---|
| El motor de arranque no hace girar el motor. | La batería tiene muy poca carga.   | Cargue la batería.  |
|  | El control del embrague de acoplamiento está conectado.                            | Desconecte el control del embrague de acoplamiento.   |
|  | El pedal de embrague/freno no está presionado completamente.                       | Pise completamente el pedal de embrague/freno cuando arranque el motor.   |
|  | La conexión de los conectores del cable con los terminales de la batería está mal. | Revise las conexiones de la batería.  |
|  | El fusible principal está defectuoso.  | Reemplace el fusible principal.   |
|  | El bloqueo del encendido está defectuoso.  | Comuníquese con un taller de servicio autorizado.   |
|  | El conector de seguridad del pedal de embrague/freno está defectuoso.              | Comuníquese con un taller de servicio autorizado.   |
|  | El motor de arranque o el solenoide están defectuosos.                             | Comuníquese con un taller de servicio autorizado.   |
|  | El control de presencia del operador (OPC) está defectuoso.                        | Compruebe los cables, interruptores y conexiones. Si no se puede corregir, consulte a un taller de servicio aprobado. No utilice el producto con un control de presencia del operador defectuoso. |

| <b>Problema</b>                     | <b>Causa</b>  | <b>Acción</b>   |
|-------------------------------------|---|---|
| El motor no funciona correctamente. | La bujía está defectuosa.   | Reemplace la bujía.   |
|                                     | El carburador no está ajustado correctamente.                                       | Comuníquese con un taller de servicio autorizado.   |
|                                     | El filtro de aire está sucio.   | Limpie o reemplace el filtro de aire.   |
|                                     | La válvula de comprobación en el tapón del depósito de combustible está defectuosa. | Reemplace la tapa del depósito de combustible.  |
|                                     | El depósito de combustible está casi vacío.   | Llene el depósito con combustible.  |
|                                     | Hay agua en el combustible.   | Quite todo el combustible del depósito de combustible y del carburador. Llene el depósito de combustible con combustible nuevo y cambie el filtro de combustible. |
|                                     | El estrangulador está accionado y el motor está caliente.                           | Desactive el estrangulador.   |
|                                     | La mezcla de combustible o el tipo de combustible son incorrectos.                  | Quite todo el combustible del depósito de combustible y del carburador. Llene el depósito de combustible con la mezcla o el tipo de combustible correcto.         |
|                                     | El filtro de combustible está obstruido   | Reemplace el filtro de combustible.   |
|                                     | La bujía está defectuosa.   | Reemplace la bujía.   |
|                                     | Hay suciedad en el carburador o la tubería de combustible.                          | Limpie el carburador y los tubos de combustible.  |
| El motor se sobrecalienta.          | Hay sobrecarga en el motor.   | Disminuya la carga de trabajo.  |
|                                     | La toma de aire o las aletas de refrigeración del motor están bloqueadas.           | Limpie la toma de aire y las aletas de refrigeración del motor.   |
|                                     | El ventilador de refrigeración está defectuoso.                                     | Comuníquese con un taller de servicio autorizado.   |
|                                     | El nivel de aceite del motor es demasiado bajo.                                     | Revise el nivel de aceite del motor. Rellene con aceite del motor si es necesario.  |
|                                     | El bloqueo del encendido está defectuoso.   | Comuníquese con un taller de servicio autorizado.   |
|                                     | La bujía está defectuosa.   | Reemplace la bujía.   |

| <b>Problema</b>  | <b>Causa</b>   | <b>Acción</b>   |
|--|--|---|
| Hay una pérdida de potencia.                             | El producto funciona a una velocidad de avance o retroceso demasiado alta cuando corta césped. | Utilice una velocidad más baja.   |
|  | El acelerador está en la posición de estrangulamiento.   | Coloque el acelerador en la posición rápida.  |
|  | Hay acumulación de césped, hojas o material no deseado debajo del equipo de corte.             | Limpié el equipo de corte.  |
|  | El filtro de aire está sucio.  | Limpié o reemplace el filtro de aire.   |
|  | El nivel de aceite del motor es demasiado bajo.  | Revise el nivel de aceite del motor. Rellene con aceite del motor si es necesario.  |
|  | El aceite del motor está sucio.  | Cambie el aceite del motor.   |
|  | La bujía está defectuosa.  | Reemplace la bujía.   |
|  | El filtro de combustible está sucio.   | Reemplace el filtro de combustible.   |
|  | El combustible en el depósito de combustible está defectuoso.                                  | Cambie el combustible en el depósito de combustible.  |
|  | Hay agua en el combustible.  | Quite todo el combustible del depósito de combustible y del carburador. Llène el depósito de combustible con combustible nuevo y cambie el filtro de combustible. |
|  | El cable de la bujía está suelto.  | Conecte y apriete el cable de la bujía.   |
|  | La toma de aire o las aletas de refrigeración del motor están bloqueadas.                      | Limpié la toma de aire y las aletas de refrigeración del motor.   |
|  | El silenciador está obstruido o dañado.  | Limpié o reemplace el silenciador.  |
|  | Hay cables flojos o dañados.   | Compruebe todos los cables.   |
| Las válvulas del motor no están ajustadas correctamente. | Comuníquese con un taller de servicio autorizado.  |   |
| Hay vibración en el producto.                            | Las cuchillas están sueltas.   | Apriete los pernos de las hojas.  |
|  | Una o varias hojas están dañadas o se encuentran desequilibradas.                              | Equilibre las hojas o reemplácelas.   |
|  | El motor está suelto.  | Apriete los pernos del motor.   |
| La batería no se carga.                                  | El fusible principal está defectuoso.  | Reemplace el fusible principal.   |
|  | La batería está defectuosa.  | Cambie la batería.  |
|  | El cable de carga está desconectado.   | Conecte el cable de carga.  |
|  | La conexión de los conectores del cable con los terminales de la batería está mal.             | Revise las conexiones de la batería.  |

| <b>Problema</b>   | <b>Causa</b>   | <b>Acción</b>   |
|---|--|---|
| El motor funciona cuando el operador se sube del asiento y el equipo de corte está acoplado.                        | El control de presencia del operador (OPC) está defectuoso.                | Compruebe los cables, interruptores y conexiones. Si no se puede corregir, consulte a un taller de servicio aprobado. No utilice el producto con un control de presencia del operador defectuoso. |
| Las hojas no pueden girar.  | Hay un bloqueo en el mecanismo del embrague.                               | Elimine la obstrucción.   |
|   | La correa de transmisión del equipo está desgastada o dañada.              | Reemplace la correa de transmisión del equipo de corte.   |
|   | Una polea tensora está congelada.  | Cambie la polea tensora.  |
|   | Un mandril de hoja está congelado.   | Reemplace el mandril de la cuchilla.  |
| Descarga de césped defectuosa.  | El régimen del motor es demasiado bajo.                                    | Coloque el acelerador en la posición rápida.  |
|   | El producto funciona a una velocidad de avance o retroceso demasiado alta. | Utilice una velocidad más baja.   |
|   | El césped está mojado.   | Deje que el césped se seque antes de cortarlo.  |
|   | El equipo de corte no es paralelo.   | Ajuste el paralelismo del equipo de corte. Consulte <i>Para ajustar el paralelismo del equipo de corte en la página 62</i> .  |
|   | La presión de los neumáticos es incorrecta.                                | Revise la presión de los neumáticos. Ajuste la presión de los neumáticos si es necesario.   |
|   | Las hojas están desgastadas, dañadas o sueltas.                            | Reemplace las hojas o ajuste los pernos de las hojas.   |
|   | Acumulación de césped o suciedad debajo del equipo de corte.               | Limpie el equipo de corte.  |
|   | La correa de transmisión del equipo está desgastada o dañada.              | Reemplace la correa de transmisión del equipo de corte.   |
|   | Las hojas están mal instaladas.  | Instale las cuchillas con el borde afilado hacia abajo.   |
|   | Se están usando las hojas incorrectas.                                     | Reemplace las hojas con las hojas correctas que se indican en el manual de piezas.  |
| Orificios de aire obstruidos en el equipo de corte por acumulación de césped y suciedad alrededor de los mandriles. | Limpie alrededor de los mandriles para abrir los orificios de ventilación. |   |



| Problema  | Causa  | Acción   |
|---|--|--|
| El faro no funciona.  | Asegúrese de que el interruptor del faro esté en la posición de apagado.                       | Coloque el interruptor del faro en la posición de encendido.   |
|   | El foco está defectuoso.   | Reemplace el foco.   |
|   | El interruptor de alimentación del foco está defectuoso.                                       | Reemplace el interruptor de alimentación del faro.   |
|   | El cable que va al faro no está conectado.   | Compruebe los cables y las conexiones.   |
|   | Hay un cortocircuito en el cable del faro.   | Comuníquese con un taller de servicio autorizado.  |
| El producto se mueve lentamente, con velocidad irregular o no se mueve. | El producto está en el modo de rueda libre.  | Tire hacia afuera de la palanca de control de rueda libre. Consulte <i>Para poner el producto en modo de rueda libre en la página 53</i> . |
|   | El freno de estacionamiento está accionado.  | Desacople el freno de estacionamiento.   |
|   | La correa de transmisión está suelta o defectuosa.   | Reemplace la correa de transmisión.  |
|   | Hay aire en la transmisión.  | Extraiga el aire de la transmisión. Consulte <i>Para extraer el producto desde la transmisión en la página 67</i> .                        |
|   | Hay materiales no deseados en la placa de dirección (si la placa de dirección está instalada). | Limpie la máquina.   |
|   | Falta la llave cuadrada del eje.   | Instale la llave cuadrada. Consulte <i>Para reparar los neumáticos en la página 57</i> .   |
| El resultado de corte no es satisfactorio.                              | Las hojas están desafiladas o dañadas.   | Afile las cuchillas o reemplácelas.  |
|   | El equipo de corte no está paralelo.   | Ajuste el paralelismo del equipo de corte. Consulte <i>Para ajustar el paralelismo del equipo de corte en la página 62</i> .               |
|   | El césped está mojado.   | Deje que el césped se seque antes de cortarlo.   |
|   | El césped es largo.  | Empiece con una altura de corte elevada y reduzca gradualmente.  |
|   | La presión de los neumáticos es incorrecta.  | Revise la presión de los neumáticos. Ajuste la presión de los neumáticos si es necesario.  |
|   | El producto funciona a una velocidad de avance o retroceso demasiado alta.                     | Utilice una velocidad más baja.  |
|   | La correa de transmisión del equipo está desgastada o dañada.                                  | Reemplace la correa de transmisión del equipo de corte.  |
| El motor petardea cuando se detiene.                                    | El acelerador no se encuentra en la posición lenta.  | Consulte <i>Para detener el producto en la página 51</i> .   |

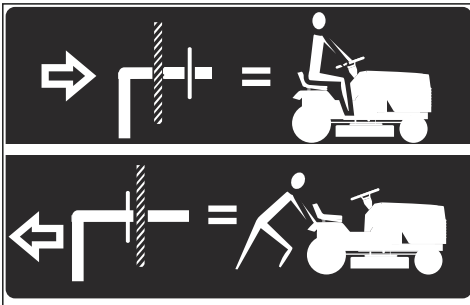
| Problema                                       | Causa   | Acción   |
|--|---|--|
| El motor se detiene cuando intenta retroceder. | El sistema de operación inversa (ROS) no está activado. | Active el sistema de operación inversa (ROS). Consulte <i>Para utilizar el sistema de funcionamiento en reversa (ROS) en la página 52.</i> |

## Transporte, almacenamiento y eliminación de residuos

### Transporte

**Nota:** Cierre y fije la cubierta al producto durante el transporte para evitar daños. Conecte la cubierta al producto con las herramientas correctas (cuerda, cable y otros).

Cuando mueva el producto, coloque el control de la rueda libre en la posición de rueda libre para desacoplar la transmisión. El control de rueda libre se ubica en la barra de tracción trasera del producto.



1. Levante el accesorio a la posición más alta con el control de elevación del acoplamiento.
2. Retire el control de la rueda libre, insértelo en la ranura y suéltelo para que se mantenga en la posición desacoplada.
3. No mueva el producto a más de dos (2) mph (3,2 km/h).
4. Para volver a acoplar la transmisión, haga el procedimiento anterior en el orden inverso.

### Seguridad de remolque

- Utilice únicamente equipos de remolque aprobados por Husqvarna.
- Utilice la barra de remolque para conectar el equipo.
- No remolque equipos más pesados que el peso máximo permitido.
- Cuando remolque equipos, asegúrese de que no haya otras personas cerca de la máquina.
- No remolque equipos en pendientes ni en terreno irregular.
- Opere la máquina a baja velocidad cuando remolque equipos.

## Almacenamiento

Prepares el producto para guardarlo al final de la temporada, y antes de más de 30 días de almacenamiento. Si mantiene combustible en el depósito de combustible durante 30 días o más, partículas pegajosas pueden obstruir el carburador. Esto afecta negativamente el funcionamiento del motor.

Para evitar partículas pegajosas durante el almacenamiento, agregue un estabilizador. Si se utiliza gasolina de alquiler, no es necesario un estabilizador. Si se utiliza gasolina estándar, no cambie a gasolina de alquiler. Esto puede provocar que las piezas de goma sensibles se endurezcan. Agregue estabilizador al combustible del depósito o al contenedor usado para el almacenamiento. Utilice siempre las proporciones de mezcla indicadas por el fabricante. Haga funcionar el motor durante un mínimo de 10 minutos después de agregar el estabilizador hasta que fluya al carburador.



**ADVERTENCIA:** No mantenga el producto con combustible en el depósito en interiores o en lugares con mala ventilación. Existe riesgo de incendio si los vapores de combustible alcanzan llamas abiertas, chispas o luces piloto, como calderas, depósitos de agua caliente y secadoras de ropa.



**ADVERTENCIA:** Retire el césped, las hojas y otros materiales inflamables del producto para reducir el riesgo de incendio. Deje que el producto se enfríe antes de guardarlo.

- Limpie el producto, consulte *Para limpiar el producto en la página 56.* Repare los daños de la pintura para evitar la corrosión.

- Examine el producto en busca de piezas dañadas o desgastadas y apriete las tuercas y los tornillos sueltos.
- Extraiga la batería. Límpiela, cárguela y manténgala fría durante el almacenamiento.
- Cambie el aceite del motor y deseche el aceite residual.
- Vacíe el depósito de combustible. Arranque el motor y déjelo en marcha hasta que no quede combustible en el carburador.
- Extraiga los tapones y ponga aproximadamente una cucharadita de aceite del motor en cada cilindro. Gire manualmente el eje del motor para aplicar el aceite y ponga los tapones de nuevo.
- Lubrique todas las boquillas de engrase, juntas y ejes.
- Mantenga el producto en una zona limpia y seca, y cubierto para mayor protección.
- Hay una cubierta de protección para el producto durante el almacenamiento o el transporte disponible en su distribuidor.

**Nota:** No vacíe el depósito de combustible ni el carburador si se ha agregado un estabilizador.

## Eliminación

- Las sustancias químicas pueden ser peligrosas y no deben tirarse en el suelo. Siempre elimine los productos químicos utilizados en un centro de servicio o un lugar adecuado para su eliminación.
- Cuando el producto se desgaste completamente, envíelo al distribuidor o a un centro de reciclaje aplicable.
- El aceite, los filtros de aceite, el combustible y la batería pueden tener efectos negativos en el ambiente. Obedezca las regulaciones vigentes y requisitos de reciclaje locales.
- No deseche la batería como un residuo doméstico.
- Envíe la batería a un taller de servicio Husqvarna o deséchela en un lugar para eliminación de baterías usadas.

## Datos técnicos

### Datos técnicos

|  | TS 248XD   |
|--|------------|
| <b>Motor</b>   |            |
| Marca del motor  | Kawasaki   |
| Modelo de motor  | Serie FR   |
| Potencia normal del motor, HP / kW <sup>1</sup>  | 23 / 17,2  |
| Máx. régimen del motor, rpm  | 3300 ± 100 |
| Régimen de ralentí del motor, rpm  | 1750       |
| Régimen máximo de avance, mph / km/h   | 5,5/8,9    |
| Régimen máximo de retroceso, mph / km/h  | 2,5 /4     |
| Combustible, grado de octanos mínimo, sin plomo, etanol al 10 % máx., un 15 % MTBE máx., AKI/RON | 87/91      |
| Capacidad del depósito de combustible, galón/l   | 4/15,14    |
| Tipo de aceite por encima de 32°F / 0°C (API: SJ-SN):  | SAE 30     |
| Tipo de aceite por debajo de 32°F / 0°C (API: SJ-SN):  | SAE 5W30   |
| Volumen de aceite con filtro de aceite, oz. / l  | 64 / 1,89  |

<sup>2</sup> La potencia nominal declarada por el fabricante del motor es la salida de potencia bruta promedio en las RPM especificadas de un motor típico de producción para el modelo del motor medido utilizando las normas SAE de potencia bruta del motor. Consulte las especificaciones del motor del fabricante.

|   |                                   |
|---|-----------------------------------|
|   | <b>TS 248XD</b>                   |
| Volumen de aceite sin filtro de aceite, oz. / l                   | 58 / 1,71                         |
| Sistema de lubricación  | Presión con filtro de aceite      |
| Sistema refrigerante  | Refrigerado por aire              |
| Filtro de aire  | Dual                              |
| Alternador, V. amp. @ 3600 rpm                                    | 12 V 15 A a 3600 rpm              |
| Motor de arranque   | Arranque eléctrico de 12 V        |
| <b>Peso</b>   |                                   |
| Peso con tanques vacíos, lb/kg                                    | 610 / 277                         |
| <b>Equipo de corte</b>  |                                   |
| Cantidad de cuchillas   | 3                                 |
| Longitud de la hoja, pulg./cm                                     | 16,5 / 41,81                      |
| Ancho de corte, pulg./cm  | 48/122                            |
| Altura de corte, pulg./cm   | 1,5-3,8/3,8-10,2                  |
| <b>Neumáticos</b>   |                                   |
| Presión de los neumáticos, traseros y delanteros, PSI / kPa / bar | 15 / 103 / 1                      |
| Neumáticos delanteros, pulg.                                      | 15 x 6-6                          |
| Neumáticos traseros, neumático para césped, pulg.                 | 20 x 10-8                         |
| Frenos  | Freno de estacionamiento mecánico |
| <b>Sistema eléctrico</b>  |                                   |
| Tipo  | 12 V                              |
| Batería   | 28 A                              |
| Bujía   | BPR4ES                            |
| Distancia entre los electrodos, pulg./mm                          | 0,030/0,76                        |
| Par de la bujía, lb-pie/Nm  | 16/22                             |

---

## Servicio

---

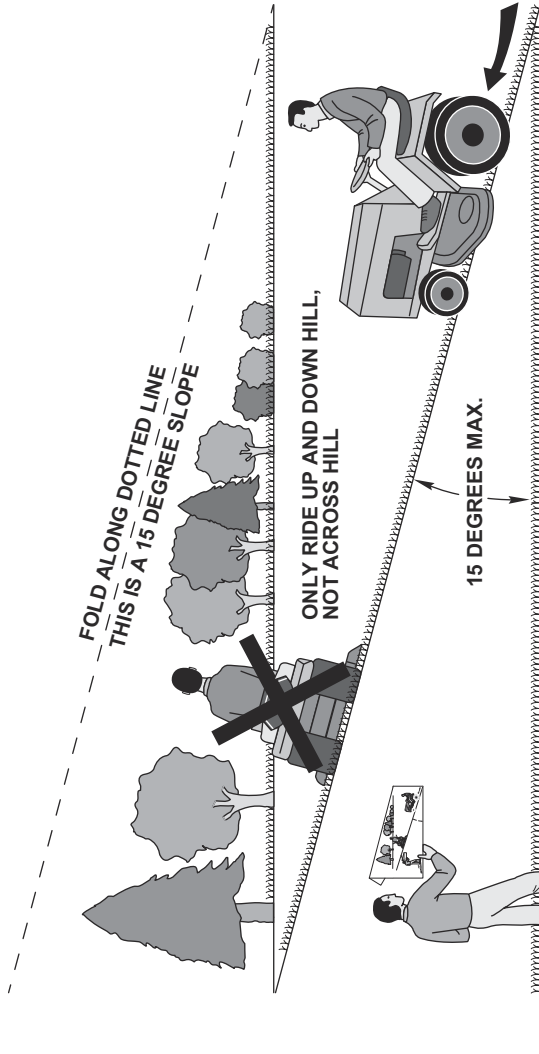
### Servicio

Realice una comprobación anual en un centro de servicios autorizado para asegurarse de que el producto funciona de forma segura y a su máximo potencial durante la temporada alta. El mejor momento para hacer mantenimiento o reparaciones a este producto es en la temporada baja.

Cuando envíe un pedido de piezas de repuesto, dé información sobre el año de compra, modelo, tipo y número de serie.

Utilice siempre piezas de repuesto originales.

# SUGGESTED GUIDE FOR SIGHTING SLOPES FOR SAFE OPERATION



1. Fold this page along dotted line indicated above.
2. Hold page before you so that its left edge is vertically parallel to a tree trunk or other upright structure.
3. Sight across the fold in the direction of hill slope you want to measure.
4. Compare the angle of the fold with the slope of the hill.







[www.husqvarna.com](http://www.husqvarna.com)

Original instructions  
Instrucciones originales

1141933-49



2022-10-19