



**Husqvarna**<sup>®</sup>



**230iB**

EN Operator's manual  
ES-MX Manual de usuario  
FR-CA Manuel d'utilisation

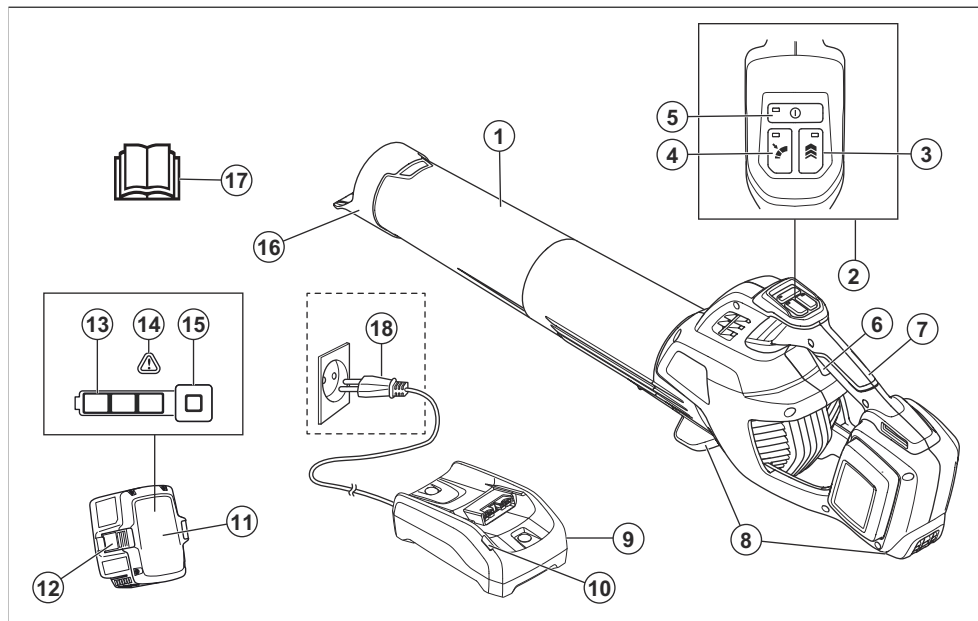
2-17  
18-35  
36-54

## Contents

|                   |    |   |    |
|-------------------|----|---|----|
| Introduction..... | 2  | Maintenance.....                          | 13 |
| Safety.....       | 4  | Troubleshooting.....                      | 15 |
| Assembly.....     | 10 | Transportation, storage and disposal..... | 15 |
| Operation.....    | 11 | Technical data.....                       | 16 |

## Introduction

### Product overview



1. Blower nozzle
2. Keypad
3. Power boost button
4. Cruise control: Set the optimal air flow for your work
5. Power button
6. Power trigger
7. Handle
8. Supports
9. Battery charger
10. Power and warning indicator
11. Battery
12. Battery release button
13. Battery status indicator

14. Warning indicator (error LED)
15. Battery indicator button
16. Scraper tool
17. Operator's manual
18. Power plug

### Product description

The Husqvarna 230iB is a blower model with an electric motor.

We have a policy of continuous product development and therefore reserve the right to modify the design and the appearance of the products without prior notice.

## Intended use

This product is designed for blowing leaves and other debris from lawns, pathways, asphalt roads and the like.

## Symbols on the product



**WARNING!** Risk of serious injury or death to the operator or others. Be careful and use the product correctly. Read the operator's manual carefully and understand the instructions before operation of the product.



Use approved hearing protection and approved eye protection. If the environment contains dust, use a breathing mask.



Use approved protective boots and gloves. Wear long sleeves and pants.



Do not wear jewelry when you operate the product.



Keep hair above shoulders.



Do not leave, store or use in the rain or in wet conditions.



Direct current.



The product or package of the product is not domestic waste. Recycle it at a recycling station for electrical and electronic equipment.



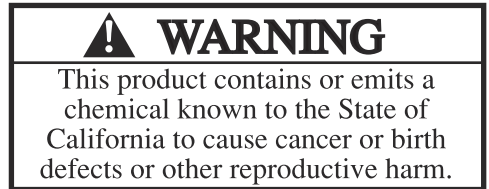
The blower operator must ensure that no people or animals come closer than 15 metres. When several operators are working at the same site a safety distance of at least 15 metres must be in effect. The blower can forcibly throw objects that can bounce back. This can result in serious eye injuries if the recommended safety equipment is not used.



yyyy  
wwxxxx

The rating plate shows serial number. **yyyy** is the production year, **ww** is the production week.

## California Proposition 65



## Manufacturer

Husqvarna AB

Husqvarna Professional Products, Inc 9335  
Harris Corners Pkwy, Charlotte, NC 28269, USA

## Product liability

As referred to in the product liability laws, we are not liable for damages that our product causes if:

- the product is incorrectly repaired.
- the product is repaired with parts that are not from the manufacturer or not approved by the manufacturer.
- the product has an accessory that is not from the manufacturer or not approved by the manufacturer.
- the product is not repaired at an approved service center or by an approved authority.

## Symbols on the battery charger



Be careful and use the product correctly. This product can cause serious injury or death to the operator or others.



Read the operator's manual carefully and make sure that you understand the instructions before use.



Use and keep the battery charger indoors only.



The product agrees with the applicable EC directives.



The product or package of the product is not domestic waste. Recycle it at an applicable disposal location for electrical and electronic equipment.

**Note:** Other symbols/decals on the battery charger refer to certification requirements for some commercial areas.

---

## Safety

---

### Safety definitions

Warnings, cautions and notes are used to point out specially important parts of the manual.



**WARNING:** Used if there is a risk of injury or death for the operator or bystanders if the instructions in the manual are not obeyed.



**CAUTION:** Used if there is a risk of damage to the product, other materials or the adjacent area if the instructions in the manual are not obeyed.

**Note:** Used to give more information that is necessary in a given situation.

---

## IMPORTANT SAFETY INSTRUCTIONS

---



**WARNING:** Read all safety warnings and all instructions. Failure to follow the warnings and instructions may result in electric shock, fire and/or serious injury.

---

## Introduction

---



**WARNING:** Read all safety warnings and all instructions. Failure to follow the warnings and instructions may result in electric shock, fire and/or serious injury.

---

### READ ALL INSTRUCTIONS

Please read the operator's manual carefully and make sure you understand the instructions before using the machine.



**WARNING:** To Reduce The Risk Of Electric Shock - Do Not Expose To Rain - Store Indoors.

- Do not charge the product outdoors.
- Only use the charger supplied by the manufacturer to recharge. A charger that is suitable for one type of battery pack may create a risk of fire when used with another battery pack.
- Do not incinerate the appliance even if it's severely damaged.
- Do not allow to be used as a toy. Close attention is necessary when used by or near children.
- Only use the product as described in this manual.
- Only use the manufacturers recommended attachments.

- If the appliance is not working as it should, has been dropped, is damaged, is left outdoors or dropped into water, return it to a service center.
- Do not handle charger, including charger plug, and charger terminals with wet hands.
- Keep hair, loose clothing, fingers, and all parts of body away from openings and moving parts.
- Do not put any object into openings. Do not use with any opening blocked; keep free of dust, lint, hair, and anything that may reduce the air flow.
- Use extra care when cleaning on stairs.
- Do not use to pick up flammable or combustible liquids, such as gasoline, or use in areas where they may be present.
- This appliance is not intended for use by person (including children) with reduced physical, sensory or mental capabilities, or lack of experience and knowledge, unless they have been given supervision or instruction concerning use of the appliance by a person responsible for their safety. Children should be supervised to ensure that they do not play with the appliance.
- Never allow children or other persons not trained in the use of the machine and/or the battery to use or service it. Local laws may regulate the age of the user.
- Keep unauthorised persons at a distance. Children, animals, onlookers and helpers should be kept outside the safety zone of 15 m (50 ft.). Stop the machine immediately if anyone approaches.

## General power tool safety warnings

### Check before starting

- Inspect the working area. Remove all loose objects, such as stones, broken glass, nails, steel wire, string etc. that could be thrown out.
- Always remove the battery to prevent the machine being started by accident. Always disconnect the battery before any maintenance on the machine.
- Before using the machine and after any impact, check for signs of wear or damage and repair as necessary.
- Only use original spare parts.
- The machine operator must ensure that no people or animals come closer than 15 metres while working. When several operators are working in the same area the safety distance should be at least 15 metres.
- Do an overall inspection of the machine before use, see maintenance schedule.
- National or local regulations may regulate the use. Comply to given regulations.
- **Dress properly. Do not wear loose clothing or jewellery. Keep your hair, clothing and gloves away from moving parts.** Loose clothes, jewellery or long hair can be caught in moving parts.
- Never use the machine if you are tired, if you have drunk alcohol, or if you are taking medication that could affect your vision, your judgement or your coordination.
- Wear personal protective equipment. See instructions under the heading "Personal protective equipment".
- Always remove the battery when passing the machine to another person.
- Keep in mind that it is you, the operator that is responsible for not exposing people or their property to accidents or hazards.

### Power tool use and care

### Personal safety

- **Stay alert, watch what you are doing and use common sense when operating a power tool. Do not use a power tool while you are tired or under the influence of drugs, alcohol or medication.** A moment of inattention while operating power tools may result in serious personal injury.
- Keep bystanders away.
- Never use a machine that has been modified in any way from its original specification. Never use the machine near explosive or flammable materials.
- Never use a machine that is faulty. Carry out the safety checks, maintenance and service instructions described in this manual. Some maintenance and service measures must be carried out by trained and qualified specialists. See instructions under the heading Maintenance.
- Only use original spare parts.

- Always ensure that ventilation openings are kept clear of debris.
- All covers, guards and handles must be fitted before starting.
- Only use the machine in daylight or in other well-lit conditions.
- Never use the machine in bad weather, for instance in fog, in rain, damp or in wet locations, strong winds, intense cold, risk of lightning, etc. Extremely hot weather may cause overheating of the machine. Operation in bad weather is tiring and can lead to dangerous conditions, for instance slippery surfaces.
- If the machine starts vibrating abnormally, stop the machine and remove the battery.
- Walk, never run.

## General safety instructions



**WARNING:** Read the warning instructions that follow before you use the product.

- Incorrect or careless use of the product can turn it into a dangerous tool that can cause serious or even fatal injury to the operator or others. You must read and understand the contents of this operator's manual.
- Under no circumstances may the design of the product be modified without the permission of the manufacturer. Never use a product that has been modified in any way from its original specification and always use original accessories. Non-authorized modifications and/or accessories can result in serious personal injury or the death of the operator or others. Your warranty may not cover damage or liability caused by the use of non-authorized accessories or replacement parts.
- This product produces an electromagnetic field during operation. This field may under some circumstances interfere with active or passive medical implants. To reduce the risk of serious or fatal injury, we recommend persons with medical implants to consult their physician and the medical implant manufacturer before operating this product.
- Remove the battery from the product during charging.

## Safety instructions for operation

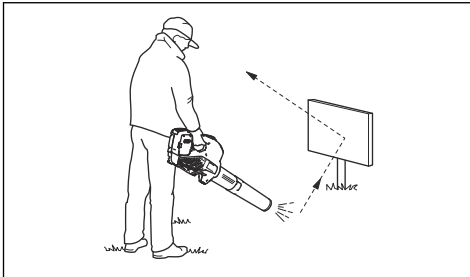


**WARNING:** Read the warning instructions that follow before you use the product.

- If you encounter a situation where you are uncertain how to proceed you should ask an expert. Contact your dealer or your service workshop. Avoid all usage which you consider to be beyond your capability.
- Never use the product in bad weather, for instance in fog, in rain, strong winds, intense cold, etc.
- Do not allow children to use or be in the vicinity of the product. Since the product is easy to start, children may be able to start it if they are not kept under full surveillance. This can mean a risk of serious personal injury. Disconnect the battery when the product is not under close supervision.
- Ensure that no people or animals come closer than 15 metres (50 ft.) while you work. When several operators are working in the same area the safety distance should be at least 15 metres. Otherwise there is a risk of serious personal injury. Stop the product immediately if anyone approaches. Never swing the product around without first checking behind you to make sure that no one is within the safety zone.
- Make sure that you can move and stand safely. Check the area around you for possible obstacles (roots, rocks, branches, ditches, etcetera) in case you have to move suddenly. Take great care when you work on sloping ground.
- Keep a good balance and a firm foothold at all times. Do not overreach.
- Listen out for warning signals or shouts when you wear hearing protection. Always remove your hearing protection as soon as the product stops.
- Show consideration to persons in your surroundings by avoiding using the product at unsuitable times, such as late in the evening or early in the morning. Follow local regulations and ordinances.
- Use the product with the lowest possible airflow. It is seldom necessary to use full airflow, and many work procedures can be done at half airflow. A lower airflow means

less noise and less dust, and it is also easier to keep control over the rubbish collected together/moved.

- Use a rake or a brush to release rubbish stuck to the ground.
- Hold the opening of the blower as close to the ground as possible.
- Observe your surroundings. Direct the product away from persons, animals, play areas, cars etc..
- Minimize the blowing time by lightly wetting dusty areas or using spray equipment.
- Be aware of the wind direction. Work with the wind to make your work easier.
- Stop the product and remove the battery if the product starts to vibrate abnormally.
- Using the blower to move large piles is time consuming and creates unnecessary noise.
- Clean up afterwards. Make sure that you have not blown rubbish into someone's garden.
- Do not run with the product.
- The powerful currents of air can move objects at such a speed that they can bounce back and cause serious eye injuries.



- Do not direct the airflow towards people or animals.
- Stop the motor before you assemble or dismantle accessories or other parts.
- Keep all parts of your body away from hot surfaces.
- Never put the product down when it is activated unless you have it in clear sight.

- The blower must not be used while on a ladder or scaffolding.



- Do not use the product unless you are able to call for help in case of an accident.
- Watch out for thrown objects. Stones, rubbish, etc., can be thrown up into the eyes causing blindness or serious injury.
- Use a residual-current device (RCI) for increased security. A residual-current device is fitted to protect operators in case an electrical fault should occur.
- This product is renowned for its low vibration load. Overexposure to vibration can lead to circulatory damage or nerve damage in people who have impaired circulation. Contact your doctor if you experience symptoms of overexposure to vibration. Such symptoms include numbness, loss of feeling, tingling, pricking, pain, loss of strength, changes in skin colour or condition. These symptoms normally appear in the fingers, hands or wrists.
- Only use the product for the purpose it was intended for.
- It is not possible to cover every conceivable situation you can face. Always exercise care and use your common sense. Avoid all situations which you consider to be beyond your capability. If you still feel uncertain about operating procedures after reading these instructions, you should consult an expert before continuing.

### Personal protective equipment

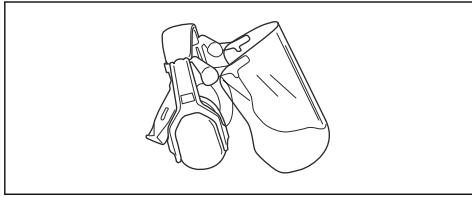


**WARNING:** Read the warning instructions that follow before you use the product.

- Always use approved personal protective equipment when you use the product.

Personal protective equipment cannot fully prevent injury but it decreases the degree of injury if an accident does occur. Let your dealer help you select the right equipment.

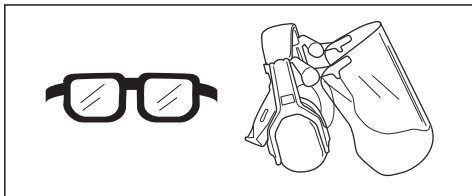
- Long term exposure to noise can result in damaged hearing. In general, battery powered products are relatively quiet but damage can result from a combination of noise level and long usage. Husqvarna recommends that operators use hearing protectors when using products for a longer coherent time of a day. Continual and regular users should have their hearing checked regularly.



## WARNING:

Hearing protectors limit the ability to hear sounds and warning signals.

- Use approved eye protection. If you use a visor, you must also use approved protective goggles. Approved protective goggles must comply with the ANSI Z87.1 standard in the USA or EN 166 in EU countries.



- Use clothing made of a strong fabric. Always use heavy, long pants and long sleeves. Do not use loose clothing that can catch on twigs and branches. Do not wear jewelry, short pants, sandals or go with bare feet. Put your hair up safely above shoulder level.
- Keep first aid equipment close at hand.



- A breathing mask should be used when there is a risk of dust.

### Safety devices on the product



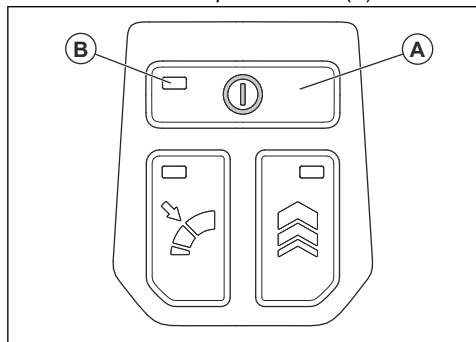
**WARNING:** Read the warning instructions that follow before you use the product.

- In this section the product's safety features, its purpose and how checks and maintenance should be carried out to ensure that it operates correctly. See instructions under the heading *Introduction on page 2* to find where these parts are located on your product.
- The life span of the product can be reduced and the risk of accidents can increase if product maintenance is not carried out correctly and if service and/or repairs are not carried out professionally. If you need further information please contact your nearest servicing dealer.
- Never use a product with defective safety components. The product's safety equipment must be inspected and maintained as described in this section. If your product fails any of these checks, contact your service agent to get it repaired.
- All servicing and repair work on the product requires special training. This is especially true of the product's safety equipment. If your product fails any of the checks described below you must contact your service agent. When you buy any of our products we guarantee the availability of professional repairs and service. If the retailer who sells your product is not a servicing dealer, ask him for the address of your nearest service agent.



## To do a check of the keypad

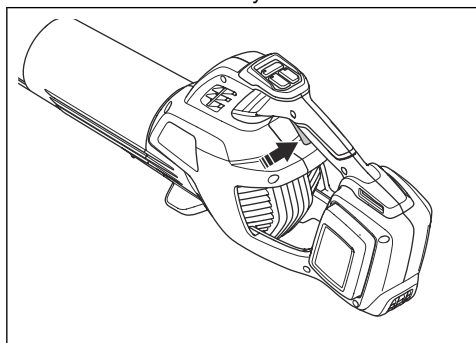
- Push and hold the power button (A).



- a) The product is on when the LED (B) is on.
- b) The product is off when the LED (B) is off.

## To do a check of the power trigger

- Push and release the power trigger to make sure that it moves freely.



## Battery safety



**WARNING:** Read the warning instructions that follow before you use the product.

- Use Husqvarna rechargeable batteries as a power supply for related Husqvarna products only. To prevent injury, do not use the battery as a power supply for other devices.
- Do not use non-rechargeable batteries.
- Risk of electrical shock. Do not connect the battery terminals to keys, coins, screws or other metal. This can cause a short circuit of the battery.

- Handle batteries carefully in order not to cause a short circuit with conducting materials such as rings, bracelets, and keys. The battery or conductor can overheat and cause burn injuries.
- Do not put objects into the air slots of the battery.
- Do not expose a battery pack or appliance to fire or excessive temperature. Exposure to fire or temperature above 130 °C / 265 °F may cause explosion.
- Keep the battery away from sunlight, heat or open flame. The battery can explode and cause burns and/or chemical burns.
- Keep the battery away from rain and wet conditions.
- Keep the battery away from microwaves and high pressure.
- Do not try to disassemble or break the battery.
- Do not open or mutilate the battery. Released electrolyte is corrosive and can cause damage to the eyes or skin. It is poisonous if swallowed.
- If the battery leaks, do not let the liquid touch your body or eyes. If you have touched the liquid, clean the area with a large quantity of water and get medical aid.
- Use the battery in temperatures between -10 °C (14 °F) and 40 °C (114 °F).
- Do not clean the battery or the battery charger with water. See *To clean the product, the battery and the battery charger on page 14.*
- Do not use a defective or damaged battery.
- Keep batteries in storage away from metal objects such as nails, coins, jewelry.
- Keep the battery away from children.

## Battery charger safety



**WARNING:** Read the warning instructions that follow before you use the product.

- Risk of electrical shock or short circuit if the safety instructions are not obeyed.
- Use an approved grounded mains socket that is not damaged.
- Only use Husqvarna branded chargers.
- Do not try to disassemble the battery charger.
- Do not use a defective or damaged battery charger.

- Do not lift the battery charger by the power cord. To disconnect the battery charger from a mains socket, pull out the plug. Do not pull the power cord.
- Keep all cables and extension leads away from water, oil and sharp edges. Make sure that the cable is not caught between doors, fences or similar.
- Do not use the battery charger near flammable materials or materials that can cause corrosion. Make sure that the battery charger is not covered. Pull out the plug to the battery charger if there is smoke or fire.
- Only charge the battery indoors in a location with good airflow and away from sunlight. Do not charge the battery outdoors. Do not charge the battery in wet conditions.
- Only use the battery charger where the temperature is between 5 °C (41 °F) and 40 °C (104 °F). Use the charger in an environment which has a good airflow, dry and free from dust.
- Do not put objects into the cooling slots of the battery charger.
- Do not connect the battery charger terminals to metal objects as this can short circuit the battery charger.
- Use approved wall sockets that are not damaged.
- Remove the battery before you do maintenance, other checks or assemble the product.
- The operator must only do the maintenance and servicing shown in this operator's manual. Speak to your servicing dealer for maintenance and servicing of a larger extension.
- Keep all nuts, bolts and screws tight to be sure the product is in safe working condition.
- Replace worn or damaged parts.
- If you do not do maintenance, it decreases the life cycle of the product and increases the risk of accidents.
- Special training is necessary for all servicing and repair work, especially for the safety devices on the product. If not all checks in this operator's manual are approved after maintenance, speak to your servicing dealer. We guarantee that there are professional repairs and servicing available for your product.
- Only use original spare parts.

## SAVE THESE INSTRUCTIONS

### Safety instructions for maintenance



**WARNING:** Read the warning instructions that follow before you do maintenance on the product.

## Assembly

### Introduction

This section describes how to assemble and adjust the product.

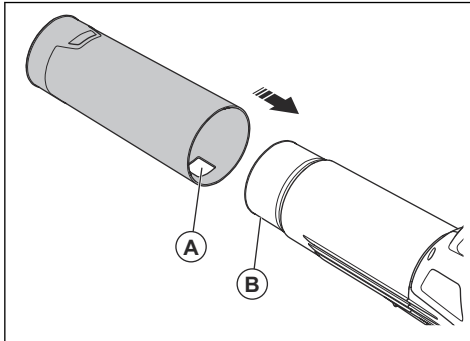


**WARNING:** Before you assemble the product, read the safety chapter and the assembly instructions.

### To assemble the blower tubes

**Note:** Apply water-based lubricant on the end of the tubes to make assembly easier.

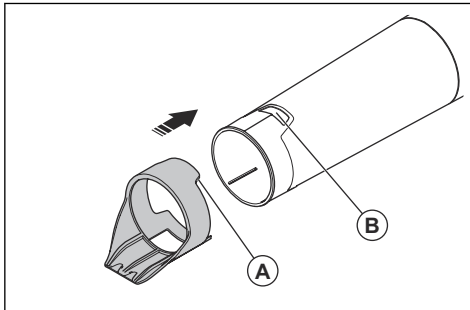
- Attach the blower nozzle to the tube until the tab (B) goes into the hole (A). Make sure that the blower nozzle and the tube are locked together.



### To attach the scraper tool

The scraper tool can be used to loosen leaves and other unwanted material for easier cleaning.

- Attach the scraper tool to the blower nozzle until the tab (A) goes into the hole (B). Make sure that the scraper tool and the tube are locked together.

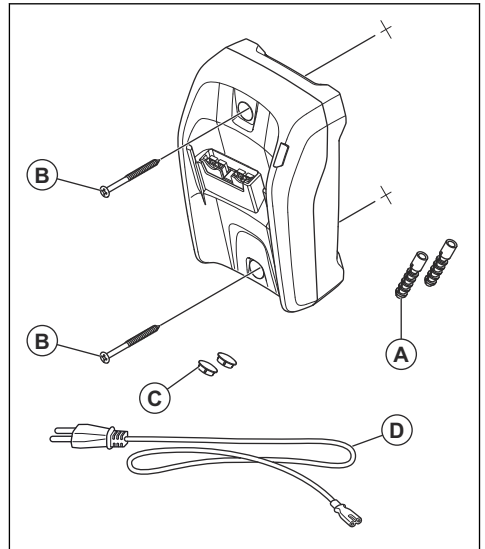


### To install the battery charger on the wall



**CAUTION:** Do not use an electric screwdriver to install the battery charger to the wall. An electric screwdriver can cause damage to the battery charger.

1. Install the battery charger on the wall with the 2 screws (B). Use wall plugs (A) if it is necessary.



2. Install the 2 screw hole plugs (C).
3. Connect the power cord to the battery charger and a mains socket.

## Operation

### Introduction



**WARNING:** Read and understand the safety chapter before you use the product.

### To do a function check before you use the product

1. Do a check of the air inlet for dirt and cracks. Use a brush and clean off grass and leaves from the product.

2. Make sure that the product works correctly.
3. Do a check of all nuts and screws and make sure that they are tight.

### To connect the battery charger



**WARNING:** Only use the battery charger in ambient temperatures between 5°C/41°F and 40°C/104°F.

1. Connect the battery charger to the voltage and frequency that is specified on the rating plate.
2. Put the plug in a grounded power outlet. The LED on the battery charger flashes red 1 time and green 1 time.

## To charge the battery



**CAUTION:** Make sure that the battery, the battery charger and the terminals on the battery are clean and dry. Do not put the battery in the battery charger if it is dirty or wet.

1. Connect the battery charger to a power outlet. The charging LED flashes red 1 time and green 1 time.



**CAUTION:** Only connect the battery charger to a power outlet with the voltage and frequency specified on the rating plate.

2. Connect the battery to the battery charger. The charging LED comes on.
3. Remove the battery from the battery charger when it is fully charged. Push the battery indicator button for battery status. When all the LED indicators come on, the battery is fully charged.
4. Pull the power plug to disconnect the battery charger from the power outlet. Do not pull the power cord.

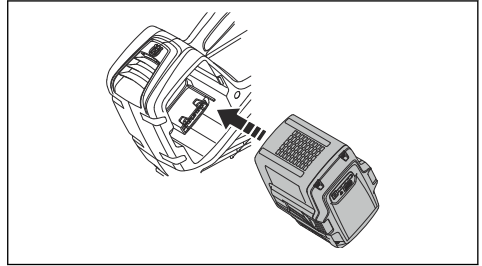
## To connect the battery to the product



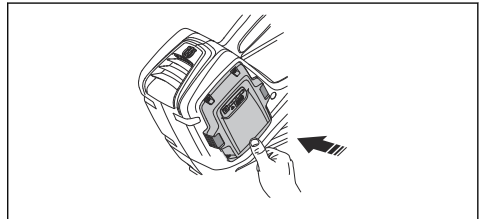
**WARNING:** Only use Husqvarna original batteries in the product.

1. Make sure that the battery is fully charged.

2. Slide the battery into the battery holder of the product. The battery must slide easily, if not, it is not installed correctly.

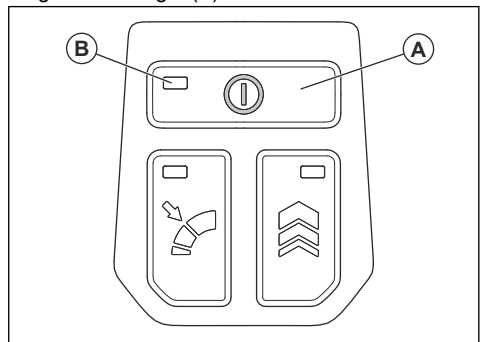


3. Press the lower part of the battery and push it in as far as it will go into the battery compartment. The battery will lock into position when you hear a click.
4. Make sure that the latches snap in place correctly.



## To start the product

1. Push and hold the power button (A) until the green LED light (B) comes on.

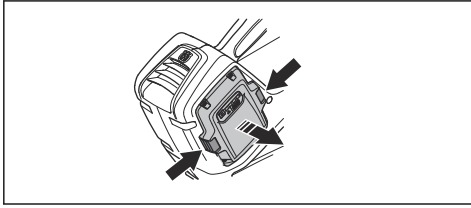


2. Use the power trigger to control the speed.

## To stop the product

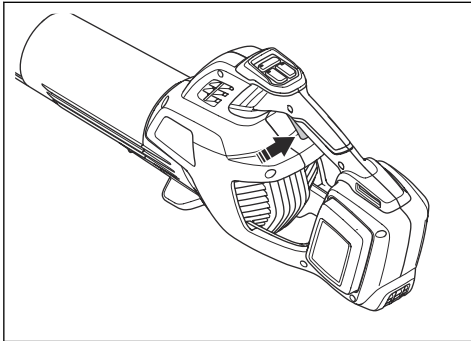
1. Release the power trigger.
2. Push and hold the power button until the green LED light comes off.

3. Remove the battery from the product. Push the two release buttons and pull out the battery.

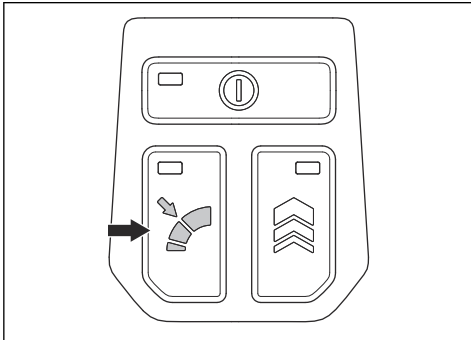


### To set the optimal airflow for your work

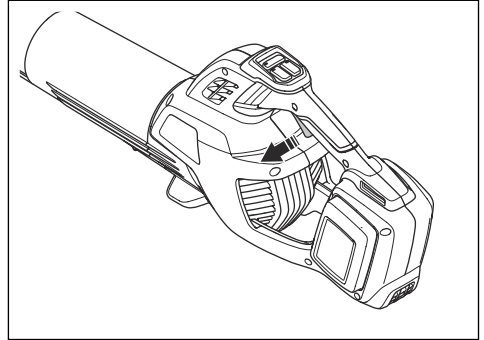
1. Push the power trigger and hold it at the optimal airflow for your work.



2. Push the cruise control button to set the selected airflow. The LED comes on.



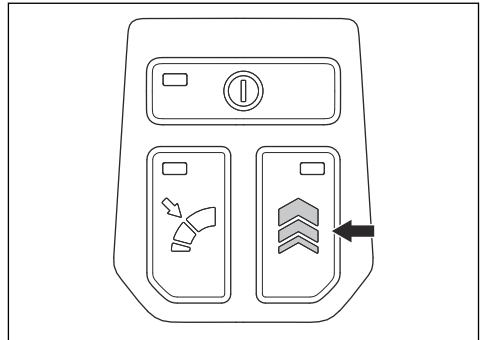
3. Continue to operate the product without the power trigger pushed.



4. Push the cruise control button again to stop the cruise control function.

### To temporarily increase the airflow

1. Start the product. Refer to *To start the product on page 12*.
2. Push the power boost button to get the maximum airflow. The LED comes on.



3. Release the power boost button to use the product with the initial air flow.

## Maintenance

### Introduction



**WARNING:** Before you do any maintenance work you must read and understand the safety chapter.

### Maintenance schedule



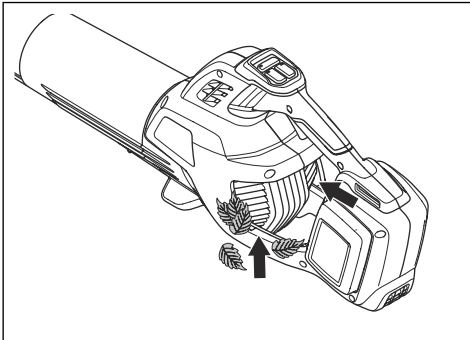
**WARNING:** Remove the battery before you do maintenance.

The following is a list of the maintenance steps that you must do on the product.

| Maintenance  | Daily | Weekly | Monthly |
|--|-------|--------|---------|
| Clean the outside of the machine with a clean and dry cloth. Never use water.  | X     |        |         |
| Keep handles dry, clean and free from oil and grease.  | X     |        |         |
| Make sure that the power button works correctly and is not damaged.  | X     |        |         |
| Make sure the power trigger is functioning properly with regard to safety.   | X     |        |         |
| Check that nuts and screws are tight.  | X     |        |         |
| Check that the battery is intact.  | X     |        |         |
| Check the battery's charge.  | X     |        |         |
| Check that the release buttons on the battery works and locks the battery into the machine.                                      | X     |        |         |
| Check that the battery charger is intact and functional.   | X     |        |         |
| Check that all connections are intact and free from dirt.  |       | X      |         |
| Check the connections between the battery and the machine and also check the connection between battery and the battery charger. |       |        | X       |

## To do a check of the air intake

1. Make sure that the air intake is not blocked.



2. Stop the product and remove leaves or unwanted material if it is necessary.



**CAUTION:** A blocked air intake decreases the blowing capacity of the product and increases the work temperature of the motor. If the

motor becomes too hot, it can result in motor failure.

## To examine the battery and the battery charger

1. Examine the battery for damages, for example cracks.
2. Examine the battery charger for damages, for example cracks.
3. Make sure that the connection cord of the battery charger is not damaged and that there are no cracks in it.

## To clean the product, the battery and the battery charger

1. Clean the product with a dry cloth after use.
2. Clean the battery and battery charger with a dry cloth. Keep the battery guide tracks clean.
3. Make sure that the terminals on the battery and the battery charger are clean before the battery is put in the battery charger or the product.

---

## Troubleshooting

---

### Keypad

| Keypad             | Possible faults    | Possible action     |
|--------------------|--------------------|---------------------|
| Green LED flashing | Low battery power. | Charge the battery. |

### Battery

| Condition                         | Possible faults   | Possible procedure   |
|-----------------------------------|---|--|
| The battery warning LED flashes.  | Temperature deviation, the battery is too cold or too hot to use. | Let the battery cool down or move it indoors to warm it up. When the battery has the correct temperature, it can be used again. Use the battery in ambient temperatures between -10 °C (14 °F) and 40 °C (104 °F). |
|                                   | The battery is empty.   | Charge the battery.  |
| The battery warning LED comes on. | Permanent battery error.  | Speak to your dealer.  |

### Battery charger

| Condition                       | Possible faults   | Possible procedure   |
|---------------------------------|---|--|
| The charging LED is red.        | Permanent battery charger error.  | Speak to your dealer.  |
| The charging LED flashes red.   | Temperature deviation, the battery is too cold or too hot to use or charge. | Let the battery cool down or warm it up. When the battery has the correct temperature, it can be used or charged again. Use the battery charger in ambient temperatures between 5 °C (41 °F) and 40 °C (104 °F). |
| The charging LED flashes green. |   |  |
| The charging LED flashes red.   | Faulty battery  | Speak to your dealer   |

---

## Transportation, storage and disposal

---

### Transportation and storage

- The supplied Li-ion batteries obey the Dangerous Goods Legislation requirements.
- Obey the special requirement on package and labels for commercial transportation, including by third parties and forwarding agents.

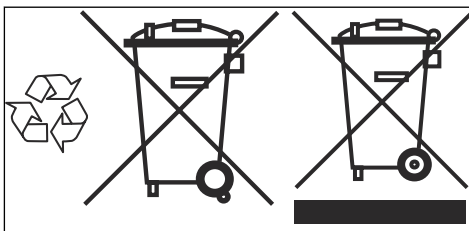
- Speak to a person with special training in dangerous material before you send the product. Obey all applicable national regulations.
- Use tape on open contacts when you put the battery in a package. Put the battery in the package tightly to prevent movement.
- Remove the battery for storage or transportation.
- Put the battery and the battery charger in a space that is dry and free from moisture and frost.
- Do not keep the battery in an area where static electricity can occur. Do not keep the battery in a metal box.
- Put the battery in storage where the temperature is between 5°C/41°F and 25°C/77°F and away from open sunlight.
- Put the battery charger in storage where the temperature is between 5 °C/41 °F and 45°C/113°F and away from open sunlight.
- Use the battery charger only when the surrounding temperature is between 5°C/41°F and 40°C/104°F.
- Charge the battery 30% to 50% before you put it in storage for long periods.
- Put the battery charger in storage in a space that is closed and dry.
- Keep the battery away from the battery charger during storage. Do not let children and other not approved persons to touch the equipment. Keep the equipment in a space that you can lock.

- Clean the product and do a full servicing before you put the product in storage for a long time.
- Use the transportation guard on the product to prevent injuries or damage on the product during transportation and storage.
- Attach the product safely during transportation.

### Disposal of the battery, battery charger and product

The symbol below means that the product is not domestic waste. Recycle it at a recycling station for electrical and electronic equipment. This helps to prevent damage to the environment and to persons.

Speak to local authorities, domestic waste service or your dealer for more information.



**Note:** The symbol shows on the product or package of the product.

---

## Technical data

---

### Technical data

|   |                      |
|---|----------------------|
|   | 230iB                |
| <b>Motor</b>  |                      |
| Motor type  | BLDC (brushless) 36V |
| <b>Weight</b>   |                      |
| Weight without battery, kg / lb                               | 2.5 / 5.5            |
| <b>Impeller fan performance (with nozzle and blower tube)</b> |                      |
| Max. air velocity, m/s / mph                                  | 60.8 / 136           |
| Max. air volume, m <sup>3</sup> /min / cfm                    | 18.4 / 650           |



|               |              |
|---------------|--------------|
|               | <b>230iB</b> |
| Blow force, N | 19.6         |

Noise and vibration data are determined on the basis of the rated maximum speed.

**Approved batteries for the product**

| <b>Battery</b>       | <b>BLi22</b> |
|----------------------|--------------|
| Type                 | Lithium-ion  |
| Battery capacity, Ah | 4.2          |
| Nominal voltage, V   | 36           |
| Weight, lb/kg        | 2.9/1.3      |

**Approved battery chargers**

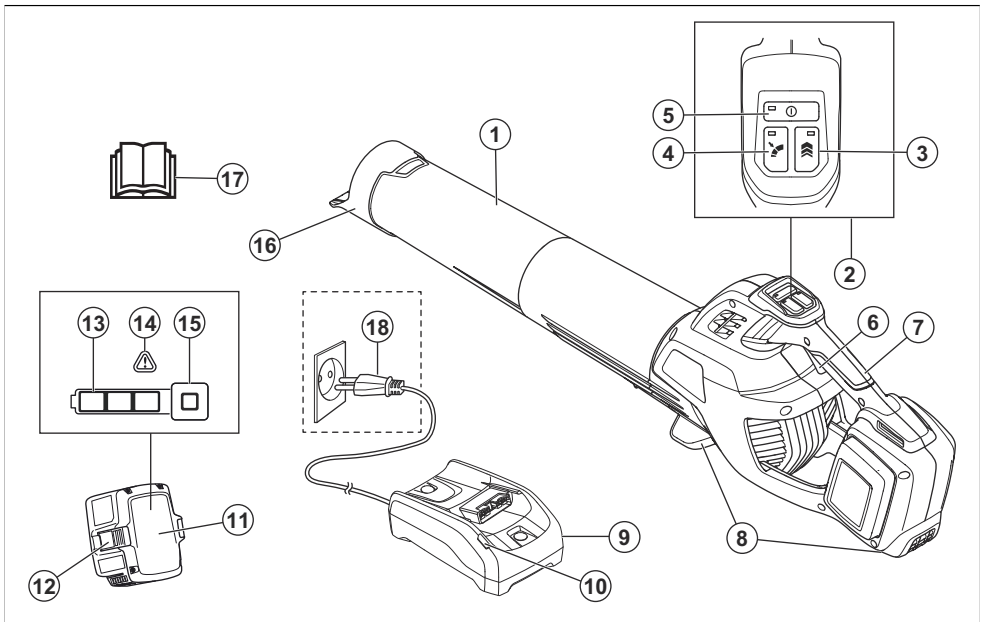
| <b>Battery charger</b> | <b>QC250</b> | <b>40-C80</b> |
|------------------------|--------------|---------------|
| Input voltage, V       | 100-240      | 100-240       |
| Frequency, Hz          | 50-60        | 50-60         |
| Power, W               | 250          | 80            |

## Contenido

|                     |    |   |    |
|---------------------|----|---|----|
| Introducción.....   | 18 | Mantenimiento.....  | 31 |
| Seguridad.....      | 20 | Solución de problemas.....                                | 32 |
| Montaje.....        | 27 | Transporte, almacenamiento y eliminación de residuos..... | 33 |
| Funcionamiento..... | 28 | Datos técnicos.....                                       | 34 |

## Introducción

### Descripción general del producto



1. Boquilla de la sopladora
2. Teclado
3. Botón de refuerzo de potencia
4. Cruise control: Ajuste el flujo de aire óptimo para la tarea
5. Botón de encendido
6. Gatillo de alimentación
7. Manilla
8. Soportes
9. Cargador de la batería
10. Indicador de potencia y advertencia
11. Batería
12. Botón de liberación de la batería
13. Indicador de estado de la batería

14. Indicador de advertencia (LED de error)
15. Botón del indicador de batería
16. Herramienta raspadora
17. Manual del usuario
18. Enchufe

### Descripción del producto

La Husqvarna 230iB es un modelo de sopladora con un motor eléctrico.

Contamos con una política de desarrollo continuo de productos y, por lo tanto, se reserva el derecho de modificar el diseño y el aspecto de los productos sin previo aviso.

## Uso específico

Este producto está diseñado para soplar hojas y otros residuos desde césped, senderos, caminos de asfalto y similares.

## Símbolos en el producto



**ADVERTENCIA:** Este producto puede causar daños graves o la muerte al operador o a otras personas. Tenga cuidado y utilice el producto correctamente. Lea el manual de instrucciones cuidadosamente y asegúrese de entender las instrucciones antes de operar el producto.



Utilice protectores auriculares y oculares aprobados. Si el ambiente contiene polvo, utilice una máscara respiratoria.



Utilice guantes y botas de protección aprobados. Utilice mangas largas y pantalones.



No utilice joyas cuando utilice el producto.



Mantenga el cabello por encima de los hombros.



No deje, almacene ni utilice la batería bajo la lluvia o en condiciones húmedas.



Corriente continua.



El producto o paquete del producto no es residuo doméstico. Reciclelo en una planta de reciclaje para equipo eléctrico y electrónico.



El operador de la sopladora se debe asegurar de que ninguna persona o animal se acerque a menos de 15 metros. Cuando varios operadores trabajan en el mismo lugar, se debe establecer una distancia de seguridad de, al menos, 15 metros. La sopladora puede echar a volar objetos violentamente que pueden rebotar. Lo anterior puede provocar heridas graves en los ojos si no se utiliza el equipo de seguridad recomendado.

yyyy  
wwxxxx

La placa de características muestra el número de serie. **aaaa** es el año de producción, **ss** es la semana de producción.

## Propuesta 65 de California



## Fabricante

Husqvarna AB

Husqvarna Professional Products, Inc 9335  
Harris Corners Pkwy, Charlotte, NC 28269, USA

## Responsabilidad del fabricante

Como se menciona en las leyes de responsabilidad del fabricante, no nos hacemos responsables de los daños que cause nuestro producto si:

- el producto se repara incorrectamente
- el producto se repara con piezas que no son del fabricante o que este no autoriza
- el producto tiene un accesorio que no es del fabricante o que este no autoriza
- el producto no se repara en un centro de servicio autorizado o por una autoridad aprobada.

## Símbolos en el cargador de la batería



Tenga cuidado y utilice el producto correctamente. Este producto puede causar daños graves o fatales al operador o a otras personas.



El producto o paquete del producto no es residuo doméstico. Recíclelo en un sitio de eliminación de desechos adecuado para equipos eléctricos y electrónicos.



Lea atentamente el manual de instrucciones y asegúrese de que entiende las instrucciones antes de usar el producto.



Use y mantenga el cargador de batería únicamente en interiores.



Este producto cumple con las directivas CE pertinentes.

**Nota:** Otros símbolos o etiquetas en el cargador de batería hacen referencia a requisitos de certificación de algunas zonas comerciales.

---

## Seguridad

---

### Definiciones de seguridad

Las advertencias, precauciones y notas se utilizan para señalar las piezas particularmente importantes del manual.



### ADVERTENCIA:

Se utilizan para señalar el riesgo de lesiones graves o mortales para el operador o para aquellos que se encuentren cerca si no se siguen las instrucciones del manual.

caso de no seguir las advertencias ni las instrucciones se pueden producir sacudidas eléctricas, incendios o daños graves.

---

## Introducción

---



### ADVERTENCIA:

Lea todas las advertencias de seguridad y todas las instrucciones. En caso de no seguir las advertencias ni las instrucciones se pueden producir sacudidas eléctricas, incendios o daños graves.



### PRECAUCIÓN:

Se utilizan para señalar el riesgo de dañar la máquina, otros materiales o el área adyacente si no se siguen las instrucciones del manual.

---

### LEA TODAS LAS INSTRUCCIONES

---

Lea atentamente el manual de instrucciones y asegúrese de que las entiende antes de utilizar la máquina.

**Nota:** Se utilizan para entregar más información necesaria en situaciones particulares.



### ADVERTENCIA:

Para reducir el riesgo de descarga eléctrica: no exponga el producto a la lluvia. Almacene en interiores.

---

## INSTRUCCIONES DE SEGURIDAD IMPORTANTES

---



### ADVERTENCIA:

Lea todas las advertencias de seguridad y todas las instrucciones. En

- No cargue el producto al aire libre.
- Utilice solo el cargador proporcionado por el fabricante para cargar. Un cargador apto para un tipo de unidad de batería puede implicar riesgo de incendio si se usa con otra unidad de batería distinta.

- No queme el aparato, incluso si presenta daños graves.
- No permita que se use como un juguete. Se necesita prestar atención cuando lo utiliza un niño o se utiliza cerca de uno.
- Utilice el producto solo de la manera descrita en este manual.
- Utilice únicamente los accesorios recomendados por los fabricantes.
- Si el aparato no funciona como debería, se ha caído, está dañado, se dejó al aire libre o se cayó al agua, llévelo a un centro de servicio.
- No manipule el cargador, incluidos el enchufe y los terminales del cargador, con las manos húmedas.
- Mantenga el cabello, la ropa suelta, los dedos y toda parte del cuerpo lejos de las aberturas y piezas móviles.
- No ponga ningún objeto en las aberturas. No utilice con una abertura bloqueada; mantener libre de polvo, pelusas, pelo y de todo aquello que pueda reducir el flujo de aire.
- Tenga especial cuidado al limpiar en escaleras.
- No lo utilice para recoger líquidos inflamables o combustibles, como gasolina, ni lo utilice en zonas donde puedan encontrar estos líquidos.
- Realice una inspección general de la máquina antes de utilizarla, consulte el programa de mantenimiento.
- El uso puede estar regulado por reglamentos nacionales o locales. Cumpla con las normas indicadas.

## Seguridad personal

- **Permanezca alerta, vea lo que está haciendo y use el sentido común cuando opere una herramienta eléctrica. No utilice una herramienta eléctrica si está cansado o bajo la influencia de drogas, alcohol o medicamentos.** Un momento de distracción a la hora de operar una herramienta eléctrica puede generar daños personales graves.
- Manténgase alejado de los transeúntes.
- Este aparato no está diseñado para ser utilizado por personas (incluidos niños) con capacidades físicas, sensoriales o cognitivas reducidas, o que carezcan de la experiencia y los conocimientos necesarios, a menos que sean supervisados o hayan recibido instrucciones sobre el uso del aparato por parte de una persona responsable de su seguridad. A los niños se los debe supervisar para asegurar que no jueguen con el aparato.
- Nunca permita que los niños u otras personas no capacitadas usen o le den servicio a la máquina o la batería. Las leyes locales pueden controlar la edad del usuario.
- Mantenga a distancia a personas no autorizadas. Los niños, animales, observadores y ayudantes deben mantenerse fuera de la zona de seguridad de 15 metros (50 pies). Detenga la máquina inmediatamente si alguien se acerca.
- Almacene el equipo en un área bloqueable para que esté fuera del alcance de los niños y personas no autorizadas.
- **Vístase adecuadamente. No use ropa suelta ni joyas. Mantenga su cabello, su ropa y sus guantes alejados de las piezas en movimiento.** La ropa suelta, las joyas o el cabello largo pueden quedar atrapados en las partes que se mueven.
- No utilice nunca la máquina si está cansado, si ha ingerido alcohol o si toma medicamentos que puedan afectar la vista, su capacidad de discernimiento o la coordinación.

## Advertencias de seguridad generales de la herramienta eléctrica

### Para comprobar antes de poner en marcha

- Inspeccione la zona de trabajo. Quite todos los objetos sueltos, como piedras, vidrio quebrado, clavos, alambres de acero, cadenas, etc., que pudiesen salir eyectados.
- Siempre retire la batería para evitar que la máquina arranque por accidente. Siempre desconecte la batería antes de realizar cualquier mantenimiento a la máquina.
- Antes de utilizar la máquina y después de cualquier impacto, revísela en busca de desgaste o daños y repare los componentes según corresponda.
- Solo utilice piezas de repuesto originales.
- El operador de la máquina se debe asegurar de que ninguna persona o animal se acerque a menos de 15 metros mientras trabaja. Cuando haya varios operarios trabajando en el mismo lugar, la distancia de seguridad debe ser de al menos 15 metros.

- Use equipo de protección personal. Consulte las instrucciones bajo el título "Equipo de protección personal".
- Siempre retire la batería cuando otra persona deba operar la máquina.
- Tenga en cuenta que usted, el operador, es responsable de no exponer a las personas o su propiedad a accidentes o peligros.

advertencia siguientes antes de usar el producto.

## Uso y cuidado de la herramienta eléctrica

- Solo utilice una máquina que haya sido modificada para el propósito que fue fabricada. Nunca utilice la máquina cerca de materiales explosivos o inflamables.
- Nunca utilice una máquina que esté defectuosa. Realice las comprobaciones de seguridad, el mantenimiento y las instrucciones de servicio descritas en este manual. Especialistas capacitados y calificados deben llevar a cabo algunas medidas de mantenimiento y servicio. Consulte las instrucciones en el capítulo Mantenimiento.
- Solo utilice piezas de repuesto originales.
- Asegúrese de que las aberturas de ventilación estén despejadas y no tengan suciedad.
- Todas las cubiertas, blindajes y manillas se deben montar antes del uso.
- Solo utilice la máquina con luz de día o en condiciones de buena iluminación.
- No utilice nunca la máquina en condiciones meteorológicas adversas, por ejemplo, en caso de niebla, lluvia, humedad o en lugares con humedad, vientos fuertes, frío intenso, riesgo de rayos, etc. El clima extremadamente caluroso puede causar que la máquina se sobrecaliente. El uso del producto en condiciones climáticas desfavorables, implicará su desgaste y que se propicien circunstancias peligrosas como el desplazamiento por superficies resbalosas.
- Si la máquina se pone a vibrar anormalmente, pare la máquina y retire la batería.
- Camine, nunca corra.

- El uso incorrecto o descuidado de la máquina puede significar un riesgo de daños mortales o graves al operador u a otras personas. Debe leer y comprender el contenido de este manual de usuario.
- Bajo ninguna circunstancia se puede modificar el diseño del producto sin autorización del fabricante. No utilice nunca un producto que ha sido modificado de cualquier modo con respecto a la especificación original y utilice siempre accesorios originales. Las modificaciones o accesorios no autorizados pueden provocar daños personales o la muerte del operador u otras personas. Es posible que su garantía no cubra daños o responsabilidades causadas por el uso de accesorios o piezas de repuesto no autorizados.
- En este producto se genera un campo electromagnético durante su funcionamiento. Este campo puede, en determinadas circunstancias, interferir con implantes médicos activos o pasivos. Para reducir el riesgo de lesiones graves o fatales, recomendamos a las personas con implantes médicos consultar a su médico y al fabricante del implante médico antes de usar esta máquina.
- Quite la batería del producto antes de realizar la carga.

## Instrucciones de seguridad para el funcionamiento



### ADVERTENCIA:

Lea atentamente las instrucciones de advertencia siguientes antes de usar el producto.

- Si se encuentra en una situación en la que no está seguro de cómo proceder, debe preguntarle a un experto. Póngase en contacto con el distribuidor o el taller de servicio. Evite todos los usos que considere que están más allá de su capacidad.
- Nunca utilice la máquina en condiciones climáticas desfavorables, como niebla, lluvia, vientos fuertes, fríos intensos, etc.

## Instrucciones generales de seguridad

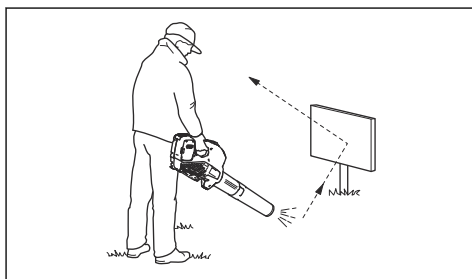


### ADVERTENCIA:

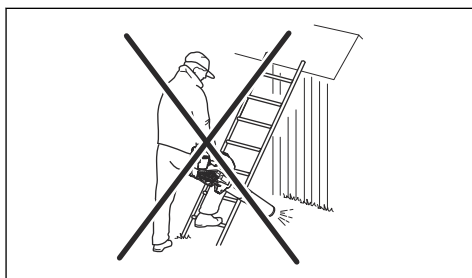
Lea atentamente las instrucciones de

- No permita que los niños utilicen o se acerquen al producto. Ya que el producto es fácil de encender, los niños podrían hacerlo si no se les vigila lo suficiente. Esto puede significar riesgo de daños personales graves. Desconecte la batería cuando el producto no esté bajo una supervisión total.
- Asegúrese de que ninguna persona o animal se acerque a menos de 15 metros (50 pies) mientras trabaja. Cuando haya varios usuarios trabajando en el mismo lugar, la distancia de seguridad debe ser de al menos 15 metros. De lo contrario, existe el riesgo de daños personales graves. Detenga el producto de inmediato si alguien se acerca. Nunca balancee el producto sin mirar primero hacia atrás, para asegurarse de que nadie se encuentre dentro de la zona de seguridad.
- Cerciórese de que puede caminar y mantenerse de pie con seguridad. Revise el área a su alrededor para detectar posibles obstáculos (raíces, piedras, ramas, zanjas, etc.) en caso de que tenga que moverse repentinamente. Tenga sumo cuidado al trabajar en terreno inclinado.
- Mantenga un buen equilibrio en todo momento. No se estire demasiado.
- Preste atención a las señales de advertencia o gritos cuando utilice protectores auriculares. Siempre retire sus protectores auriculares apenas se detenga el producto.
- Muestre consideración a las personas en su entorno y evite utilizar el producto en horas inadecuadas, por ejemplo, tarde durante la noche o temprano durante la mañana. Siga las normativas y las disposiciones locales.
- Utilice el producto con el menor flujo de aire posible. Rara vez es necesario utilizar un flujo de aire máximo, y varios procedimientos de trabajo se pueden realizar con un flujo de aire medio. Un flujo de aire bajo significa menos ruido y menos polvo, y también permite un mayor control de los residuos recolectados o trasladados.
- Utilice un rastrillo o un cepillo para despegar los residuos adheridos al suelo.
- Mantenga la apertura de la sopladora lo más cerca posible del suelo.
- Mire sus alrededores. No apunte el producto a personas, animales, áreas de juego, autos, etc.

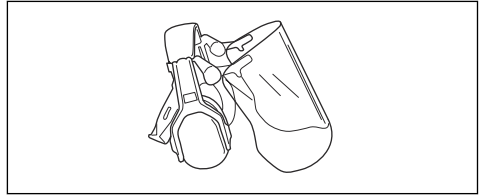
- Minimice el tiempo de soplado humedeciendo ligeramente las zonas polvorientas o utilizando un equipo de pulverización.
- Tenga en cuenta la dirección del viento. Trabaje utilizando el viento a su favor para facilitar el trabajo.
- Detenga el producto y retire la batería si este comienza a vibrar de manera anormal.
- El uso de la sopladora para mover grandes pilas requiere mucho tiempo y genera ruido innecesario.
- Limpie después de utilizar. Asegúrese de no soplar residuos hacia la propiedad de terceras personas.
- No corra con el producto.
- Las fuertes corrientes de aire pueden mover objetos a tal velocidad que pueden rebotar y causar lesiones oculares graves.



- No dirija el flujo de aire hacia personas o animales.
- Detenga el motor antes de montar o desmontar los accesorios u otras piezas.
- Mantenga todas las partes del cuerpo lejos de las superficies calientes.
- Nunca deje el producto en el suelo mientras esté activado, a menos de que lo tenga a la vista.
- La sopladora no se debe utilizar mientras se está sobre una escalera o en un andamio.



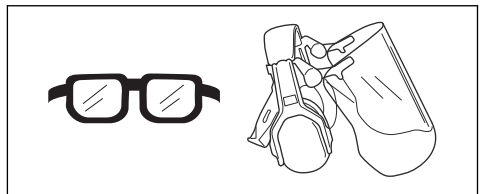
- No utilice el producto a menos que sea capaz de pedir ayuda en caso de accidente.
- Esté atento a que no salgan objetos despedidos. Es posible que las piedras, residuos, etc., salgan despedidos en dirección a los ojos y le causen ceguera o lesiones graves.
- Utilice un interruptor diferencial (RCI, por su sigla en inglés) para una mayor seguridad. Los interruptores diferenciales están equipados para proteger a los operadores en caso de que ocurra alguna falla eléctrica.
- Este producto es reconocido por su baja carga de vibración. La sobreexposición a las vibraciones puede producir trastornos vasculares o nerviosos en personas que padecen de trastornos circulatorios. Póngase en contacto con su médico si experimenta síntomas de la sobreexposición a las vibraciones. Estos síntomas son entumecimiento, pérdida de sensibilidad, hormigueo, ardor, dolor, pérdida de fuerza, cambios en el color o el estado de la piel. Normalmente, estos síntomas se presentan en los dedos, manos o muñecas.
- Utilice el producto únicamente para el uso al que está destinado.
- No es posible abordar todas las situaciones posibles que puede afrontar. Siempre tenga cuidado y use su sentido común. Evite todas las situaciones que considere que están más allá de su capacidad. Si todavía se siente inseguro acerca de los procedimientos operativos después de leer estas instrucciones, debería consultar a un experto antes de continuar.
- La exposición prolongada al ruido puede causar la pérdida de la audición. En general, los productos con alimentación mediante batería son relativamente silenciosos, pero pueden producir daños por medio de una combinación entre el nivel de ruido y el uso prolongado. Husqvarna recomienda que los operadores utilicen protectores auriculares cuando utilicen productos durante días enteros. Los usuarios recurrentes y habituales deben procurar acudir a exámenes auditivos con regularidad.



## ADVERTENCIA:

Los protectores auriculares limitan la capacidad de escuchar sonidos y señales de advertencia.

- Use protección ocular homologada. Si utiliza un visor, también debe usar gafas protectoras homologadas. Las gafas protectoras homologadas deben cumplir con la norma ANSI Z87.1 de EE. UU. o EN 166 para países de la UE.



### Equipo de protección personal



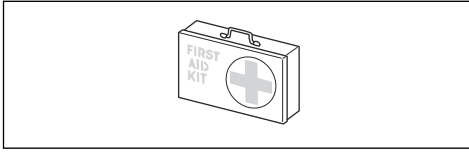
## ADVERTENCIA:

Lea atentamente las instrucciones de advertencia siguientes antes de usar el producto.

- Utilice siempre el equipo de protección personal adecuado cuando use el producto. El equipo de protección personal no puede impedir el riesgo de lesiones, pero disminuirá el grado de lesión si ocurre un accidente. Permita que su concesionario lo ayude a seleccionar el equipo adecuado.
- Utilice ropa de material resistente. Use siempre pantalones largos y gruesos, y mangas largas. Evite usar ropas holgadas que se puedan enganchar con ramas. No trabaje con joyas, pantalones cortos, sandalias ni con los pies descalzos. Asegure su cabello por encima del nivel de los hombros.



- Mantenga un equipo de primeros auxilios a mano.



- Se debe utilizar una máscara respiratoria cuando exista riesgo de polvo.

### Dispositivos de seguridad en el producto



## ADVERTENCIA:

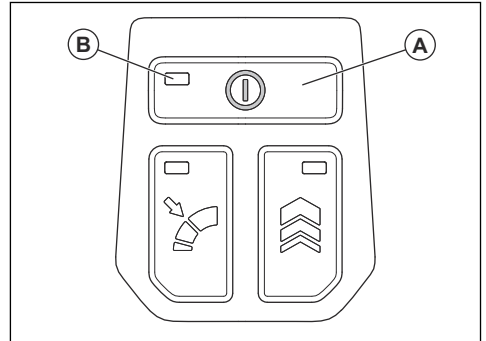
Lea atentamente las instrucciones de advertencia siguientes antes de usar el producto.

- En esta sección se describen las características de seguridad del producto y su propósito, y cómo deben llevarse a cabo las comprobaciones y el mantenimiento para asegurarse de que funciona correctamente. Consulte las instrucciones bajo el título *Introducción en la página 18* para ver dónde están situados estos componentes en el producto.
- La vida útil del producto se puede reducir y el riesgo de accidentes puede aumentar si el mantenimiento del producto no se realiza correctamente y si el servicio o las reparaciones no se llevan a cabo de forma profesional. Si necesita más información, comuníquese con su taller de servicio más cercano.
- No utilice nunca un producto con componentes de seguridad defectuosos. El equipo de seguridad del producto se debe inspeccionar y mantener tal como se describe en esta sección. Si el producto no pasa exitosamente alguna de estas comprobaciones, póngase en contacto con el taller de servicio para que lo reparen.
- Todos los trabajos de mantenimiento y reparación del producto requieren una formación especial. Esto aplica especialmente al equipo de seguridad del producto. Si el producto no pasa exitosamente alguna de las comprobaciones indicadas a continuación, póngase en contacto con el taller de servicio. La compra de alguno de nuestros productos le garantiza la disponibilidad de mantenimiento y servicio profesionales. Si el

comerciante que vende el producto no es un concesionario de servicio, pídale la dirección del taller de servicio más cercano.

### Para comprobar el teclado

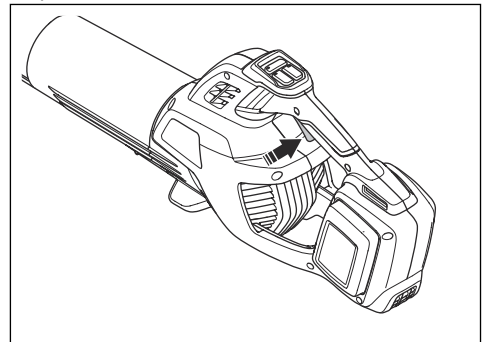
- Mantenga presionado el botón de encendido (A).



- El producto se enciende cuando la luz LED (B) se enciende.
- El producto se apaga cuando la luz LED (B) se apaga.

### Para comprobar el funcionamiento del gatillo de alimentación

- Presione y suelte el gatillo de alimentación para asegurarse de que se mueve sin problemas.



### Seguridad de la batería



## ADVERTENCIA:

Lea atentamente las instrucciones de advertencia siguientes antes de usar el producto.

## Seguridad del cargador de batería



### ADVERTENCIA:

Lea atentamente las instrucciones de advertencia siguientes antes de usar el producto.

- Utilice baterías recargables Husqvarna como fuente de alimentación solo en otros productos Husqvarna relacionados. Para evitar daños, no utilice la batería como fuente de alimentación en otros dispositivos.
- No utilice baterías no recargables.
- Riesgo de sacudida eléctrica. No conecte los terminales de la batería a llaves, monedas, tornillos u otros objetos metálicos. Esto puede provocar un cortocircuito de la batería.
- Manipule las baterías con cuidado para no provocar un cortocircuito con materiales conductores, como anillos, brazaletes y llaves. La batería o el conductor pueden recalentarse y causar quemaduras.
- No introduzca objetos en las ranuras de aire de la batería.
- No exponga una batería ni un aparato al fuego o a una temperatura excesiva. La exposición al fuego o una temperatura superior a 130 °C/265 °F puede causar una explosión.
- Mantenga la batería alejada de la luz solar, del calor o de llamas. La batería puede explotar y causar quemaduras o quemaduras químicas.
- Mantenga la batería alejada de condiciones húmedas y de la lluvia.
- Mantenga la batería alejada de microondas y de alta presión.
- No intente desarmar o romper la batería.
- No abra ni corte la batería. El electrodo que sale es corrosivo y puede provocar daños a los ojos o la piel. Es tóxico si se ingiere.
- Si se produce una filtración en la batería, no permita que el líquido entre en contacto con la piel o los ojos. Si toca el líquido, limpie el área con agua abundante y solicite asistencia médica.
- Utilice la batería en niveles de temperatura entre -10 °C (14 °F) y 40 °C (114 °F).
- No limpie con agua la batería o el cargador de batería. Consulte *Para limpiar el producto, la batería y el cargador de batería en la página 32*.
- No utilice una batería dañada o defectuosa.
- Almacene las baterías lejos de objetos metálicos, como clavos, monedas o joyas.
- Mantenga las baterías alejadas de los niños.

- Existe riesgo de sacudidas eléctricas o cortocircuitos si no se siguen las instrucciones de seguridad.
- Utilice una toma de corriente con conexión a tierra que no presente daños.
- Solo utilice cargadores Husqvarna.
- No intente desarmar el cargador de batería.
- No utilice un cargador de batería dañado o defectuoso.
- No levante el cargador de batería tirando del cable de alimentación. Para desconectar el cargador de batería de la toma de corriente, tire del enchufe. No tire del cable de alimentación.
- Mantenga todos los cables y extensiones alejados del agua, aceite y bordes afilados. Asegúrese de que el cable no quede atrapado entre ruedas, rejillas o similares.
- No utilice el cargador de batería cerca de materiales inflamables o materiales que puedan causar corrosión. Asegúrese de que el cargador de la batería no esté cubierto. Desconecte el cargador de batería del enchufe en caso de incendio o humo.
- Cargue la batería solo en un lugar bajo techo con buena ventilación y lejos de la luz solar. No cargue la batería al aire libre. No cargue la batería en condiciones húmedas.
- Solo utilice el cargador de la batería cuando la temperatura esté entre 5 °C (41 °F) y 40 °C (104 °F). Utilice el cargador en un entorno que cuente con un buen flujo de aire, seco y sin polvo.
- No introduzca objetos en las ranuras de enfriamiento del cargador de la batería.
- No conecte los terminales del cargador de la batería a objetos metálicos, ya que esto puede causar cortocircuitos en el cargador de la batería.
- Utilice enchufes de pared aprobados que no presenten daños.

## Instrucciones de seguridad para el mantenimiento



### ADVERTENCIA:

Lea atentamente las instrucciones de advertencia antes de realizar mantenimiento al producto.

- Retire la batería antes de hacer el mantenimiento, otras revisiones o el armado del producto.
  - El operador solo debe hacer el mantenimiento y el servicio que se indica en el manual del usuario. Comuníquese con su concesionario de servicio cuando deba realizar mantenimiento y servicio a mayor escala.
  - Mantenga todas las tuercas, pernos y tornillos apretados para asegurarse de que el equipo se encuentre en condiciones de trabajo seguras.
- Reemplace las piezas desgastadas o dañadas.
  - Si no realiza el mantenimiento, disminuye la vida útil del producto y aumenta el riesgo de accidentes.
  - Se necesita capacitación especial para todos los trabajos de servicio y reparación, especialmente de los dispositivos de seguridad del producto. Si no se aprueban todas las verificaciones establecidas en este manual de usuario después de realizar el mantenimiento, comuníquese con el concesionario de servicio. Garantizamos que existen reparaciones y servicios profesionales disponibles para su producto.
  - Solo utilice piezas de repuesto originales.

## GUARDE ESTAS INSTRUCCIONES

## Montaje

### Introducción

En este capítulo se describe cómo montar y ajustar el producto.

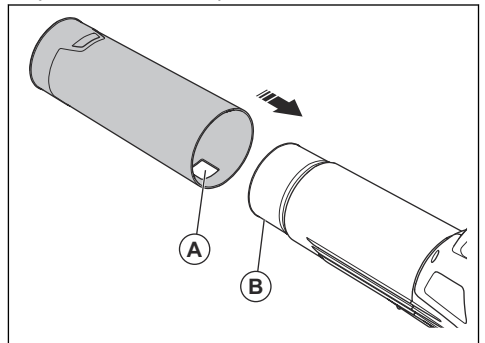


**ADVERTENCIA:** Antes de montar el producto, lea el capítulo sobre seguridad y las instrucciones de montaje.

### Para montar los tubos de la sopladora

**Nota:** Aplique lubricante a base de agua en el extremo de los tubos para facilitar el montaje.

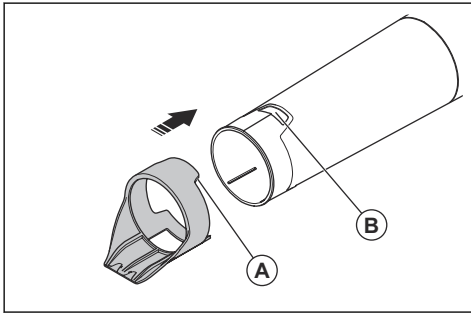
- Fije la boquilla de la sopladora al tubo hasta que la lengüeta (B) ingrese al agujero (A). Asegúrese de que la boquilla de la sopladora y el tubo estén acoplados entre sí.



### Para fijar la herramienta raspadora

La herramienta raspadora se puede utilizar para soltar las hojas y otros materiales no deseados a fin de obtener una limpieza más fácil.

- Fije la herramienta raspadora a la boquilla de la sopladora hasta que la lengüeta (A) se inserte en el agujero (B). Asegúrese de que la herramienta raspadora y el tubo estén acoplados entre sí.

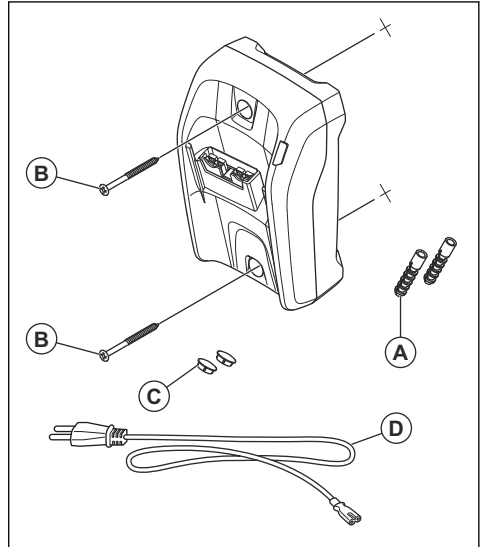


### Para instalar el cargador de la batería en la pared



**PRECAUCIÓN:** No utilice un destornillador eléctrico para instalar el cargador de la batería en la pared. Un destornillador eléctrico puede dañar el cargador.

1. Instale el cargador de la batería en la pared con los 2 tornillos (B). Utilice enchufes de pared (A) si es necesario.



2. Instale los 2 tapones para los orificios de los tornillos (C).
3. Conecte el cable de alimentación al cargador de la batería y a una toma de corriente.

## Funcionamiento

### Introducción



**ADVERTENCIA:** Asegúrese de leer y comprender el capítulo de seguridad antes de utilizar el producto.

### Para realizar una comprobación de funcionamiento antes de utilizar el producto

1. Compruebe la entrada de aire en busca de suciedad y grietas. Utilice un cepillo para quitar el pasto y las hojas del producto.
2. Asegúrese de que el producto funciona correctamente.
3. Realice una comprobación de todas las tuercas y tornillos. Asegúrese de que estén apretados.

### Para conectar el cargador de la batería



**ADVERTENCIA:** Utilice el cargador de la batería solo a temperaturas ambiente de entre 5 °C/41 °F y 40 °C/104 °F.

1. Conecte el cargador de la batería según el voltaje y la frecuencia especificados en la placa de características.
2. Enchufe el producto en una toma de corriente con conexión a tierra. El LED del cargador de la batería parpadea en rojo 1 vez y en verde 1 vez.

### Para cargar la batería



**PRECAUCIÓN:** Asegúrese de que la batería, el cargador de la batería y los terminales de la batería estén limpios y secos. Si la batería está

sucia o húmeda, no la coloque en el cargador de baterías.

1. Conecte el cargador de baterías a una toma de corriente. El LED de carga parpadea en rojo 1 vez y en verde 1 vez.



**PRECAUCIÓN:** Solo conecte el cargador de baterías a una toma de corriente con la tensión y la frecuencia que se especifican en la placa de características.

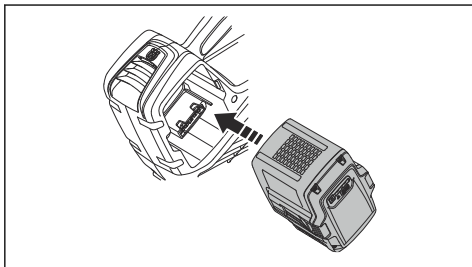
2. Conecte la batería al cargador. El LED de carga se enciende.
3. Cuando la batería esté completamente cargada, retírela del cargador. Presione el botón del indicador de la batería para ver su estado de carga. Cuando todas las luces LED se enciendan, se indica que la batería está completamente cargada.
4. Tire el enchufe para desconectar el cargador de baterías de la toma de corriente. No tire del cable de alimentación.

### Para conectar la batería al producto



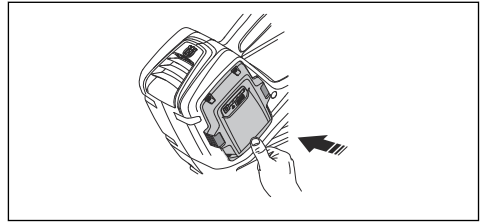
**ADVERTENCIA:** Solo utilice baterías originales Husqvarna en el producto.

1. Asegúrese de que la batería está totalmente cargada.
2. Deslice la batería en el soporte para batería del producto. La batería se debe deslizar con facilidad, si esto no ocurre, es porque está instalada correctamente.



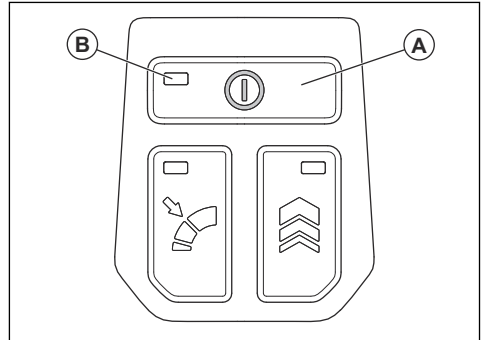
3. Presione la parte inferior de la batería e insértela lo máximo que se pueda hasta que entre en el compartimiento de la batería. La batería se ajustará adecuadamente cuando se escuche un clic.

4. Fíjese que los seguros estén instalados correctamente.



### Para poner en marcha el producto

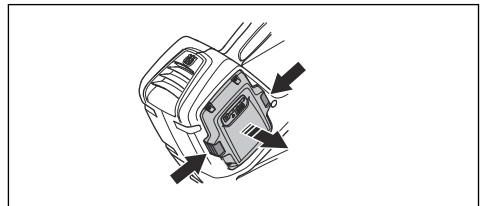
1. Mantenga presionado el botón de encendido (A) hasta que se encienda una luz LED de color verde (B).



2. Utilice el gatillo de alimentación para controlar la velocidad.

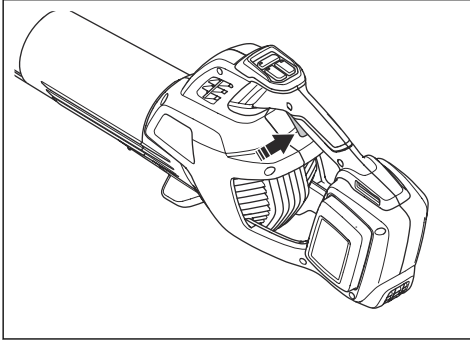
### Para detener la máquina

1. Suelte el gatillo de alimentación.
2. Mantenga presionado el botón de encendido hasta que la luz LED verde se apague.
3. Quite la batería del producto. Presione los dos botones de liberación y extraiga la batería.

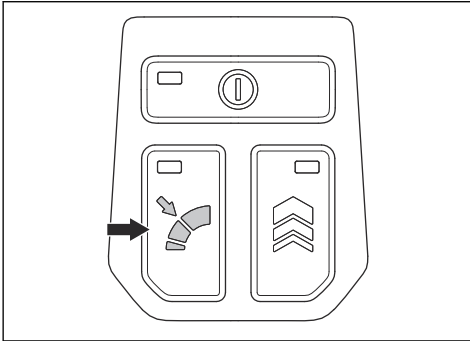


## Para ajustar el flujo de aire óptimo para su trabajo

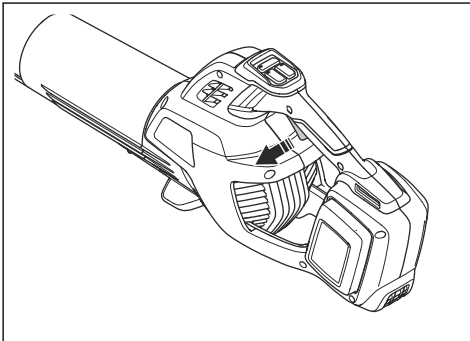
1. Presione el gatillo de alimentación y manténgalo en el flujo de aire óptimo para su trabajo.



2. Presione el botón de control de crucero para establecer el flujo de aire seleccionado. La luz LED se enciende.



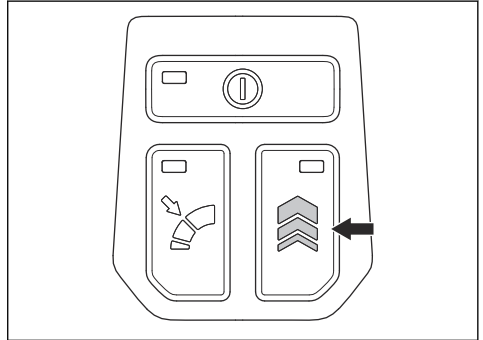
3. Siga operando el producto sin presionar el gatillo de alimentación.



4. Pulse el botón del control de crucero nuevamente para detener la función del control de crucero.

## Para aumentar temporalmente el flujo de aire

1. Encienda el producto. Consulte *Para poner en marcha el producto en la página 29*.
2. Presione el botón de refuerzo de potencia para obtener el flujo de aire máximo. La luz LED se enciende.



3. Suelte el botón de refuerzo de potencia para utilizar el producto con el flujo de aire inicial.

# Mantenimiento

## Introducción



**ADVERTENCIA:** Antes de realizar el mantenimiento, debe leer y entender el capítulo de seguridad.

La siguiente es una lista de pasos de mantenimiento que se deben realizar en el producto.

## Programa de mantenimiento

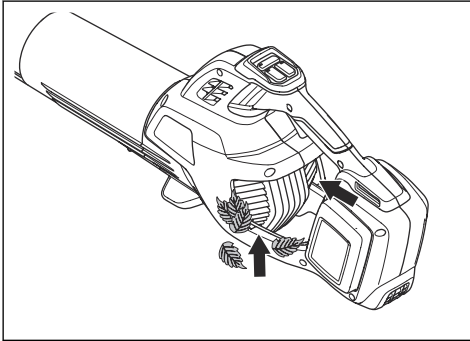


**ADVERTENCIA:** Retire la batería antes de realizar mantenimiento.

| Mantenimiento  | Diario | Una vez por semana | Una vez al mes |
|--|--------|--------------------|----------------|
| Limpie la parte exterior de la máquina con un paño limpio y seco. Nunca utilice agua.  | X      |                    |                |
| Mantenga los mangos secos, limpios y sin grasa ni aceite.  | X      |                    |                |
| Asegúrese de que el botón de encendido funcione correctamente y que no presente daños.   | X      |                    |                |
| Asegúrese de que el gatillo de alimentación funcione correctamente en relación con la seguridad.                                     | X      |                    |                |
| Revise que las tuercas y tornillos estén apretados.  | X      |                    |                |
| Compruebe que la batería esté intacta.   | X      |                    |                |
| Compruebe la carga de la batería.  | X      |                    |                |
| Compruebe que los botones de liberación de la batería funcionen y que fijen la batería a la máquina.                                 | X      |                    |                |
| Compruebe que el cargador esté intacto y operativo.  | X      |                    |                |
| Compruebe que todas las conexiones estén intactas y sin polvo.   |        | X                  |                |
| Compruebe las conexiones entre la batería y la máquina y también compruebe la conexión entre la batería y el cargador de la batería. |        |                    | X              |

## Para comprobar la toma de aire

1. Asegúrese de que la toma de aire no esté obstruida.



2. Detenga el producto y retire las hojas o el material no deseado si es necesario.



**PRECAUCIÓN:** Una toma de aire bloqueada disminuye la capacidad de soplado del producto y aumenta la temperatura de funcionamiento del motor. Si el

motor se calienta demasiado, se puede producir una falla del motor.

## Para examinar la batería y el cargador de la batería

1. Examine la batería en busca de daños, tales como grietas.
2. Examine el cargador de la batería en busca de daños, tales como grietas.
3. Asegúrese de que el cable de conexión del cargador de batería no presente daños ni grietas.

## Para limpiar el producto, la batería y el cargador de batería

1. Limpie el producto con un paño seco después del uso.
2. Limpie la batería y el cargador de la batería con un paño seco. Mantenga limpios los rieles de guía de la batería.
3. Asegúrese de que las terminales en la batería y en el cargador de la batería estén secos antes de que la batería se coloque en el cargador de la batería o en el producto.

## Solución de problemas

### Teclado

| Teclado                               | Posibles fallas | Posible medida     |
|---------------------------------------|-----------------|--------------------|
| Parpadeo de la luz LED de color verde | Batería baja.   | Cargue la batería. |

### Batería

| Estado  | Posibles fallas   | Procedimiento posible  |
|---|---|--|
| El LED de advertencia de la batería parpadea. | Desviación de temperatura, la batería está demasiado fría o demasiado caliente para su uso. | Deje que la batería se enfríe o muévela al interior para calentarla. Cuando la batería tenga la temperatura correcta, se puede volver a utilizar. Utilice la batería a temperaturas ambiente de entre -10 °C (14 °F) y 40 °C (104 °F). |
|   | La batería está vacía.  | Cargue la batería.   |



| Estado   | Posibles fallas                 | Procedimiento posible        |
|--|---------------------------------|------------------------------|
| El LED de advertencia de la batería se enciende. | Error permanente de la batería. | Consulte a su concesionario. |

## Cargador de batería

| Estado                                   | Posibles fallas  | Procedimiento posible   |
|--|--|---|
| El LED de carga es de color rojo.        | Error permanente del cargador de baterías.   | Consulte a su concesionario.  |
| El LED de carga parpadea en color rojo.  | Desviación de temperatura, la batería está demasiado fría o demasiado caliente para utilizarla o cargarla. | Deje que la batería se enfríe o se caliente. Cuando la batería tenga la temperatura correcta, se puede utilizar o cargar nuevamente. Utilice el cargador de la batería en niveles de temperatura ambiente de entre 5 °C (41 °F) y 40 °C (104 °F). |
| El LED de carga parpadea en color verde. |  |   |
| El LED de carga parpadea en color rojo.  | Batería defectuosa   | Comuníquese con su concesionario  |

---

## Transporte, almacenamiento y eliminación de residuos

---

### Transporte y almacenamiento

- Las baterías de iones de litio proporcionadas siguen los requisitos de la Legislación de productos peligrosos.
- Siga los requisitos especiales sobre el embalaje y las etiquetas para transportes comerciales, incluidos los de terceros y transportistas.
- Comuníquese con una persona con capacitación especial sobre materiales peligrosos antes de enviar el producto. Siga todas las normas nacionales aplicables.
- Utilice cinta sobre los contactos abiertos cuando coloque la batería en un paquete. Coloque firmemente la batería en el paquete para evitar el movimiento.
- Retire la batería para almacenarla o transportarla.
- Coloque la batería y el cargador de la batería en un lugar seco, donde no haya humedad ni heladas.
- No mantenga la batería en un área donde pueda generarse electricidad estática. No mantenga la batería en una caja metálica.
- Guarde la batería en un lugar donde la temperatura oscile entre los 5 °C/41 °F y los 25 °C/77 °F, lejos de la luz solar directa.
- Guarde el cargador de la batería en un lugar donde la temperatura oscile entre los 5 °C/41 °F y los 45 °C/113 °F, lejos de la luz solar directa.
- Utilice el cargador de la batería solamente cuando la temperatura ambiente oscile entre los 5 °C/41 °F y los 40 °C/104 °F.
- Cargue la batería de un 30 % a un 50 % antes de almacenarla durante períodos prolongados.
- Almacene el cargador de la batería en un espacio cerrado y seco.
- Mantenga la batería lejos del cargador de la batería durante el almacenamiento. No permita que niños y otras personas sin autorización toquen el equipo. Mantenga el equipo en un espacio que pueda cerrar.
- Limpie el producto y realice un mantenimiento total antes de almacenarlo durante un período prolongado.
- Utilice protección para transportes en el producto para evitar lesiones o daños

en el producto durante su transporte y almacenamiento.

- Fije el producto de manera segura durante el transporte.

---

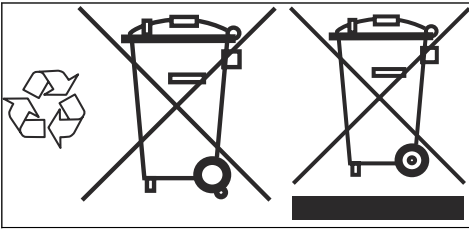
**Nota:** El símbolo se muestra en el producto o en el paquete del producto.

---

## Eliminación de la batería, el cargador y el producto

El siguiente símbolo significa que el producto no se debe desechar como residuo doméstico. Recíclelo en una estación de reciclaje dispuesta para reciclar equipos eléctricos y electrónicos. Esto ayuda a evitar daño al medioambiente y a las personas.

Comuníquese con las autoridades locales, servicio de desechos doméstico o con su concesionario para obtener más información.



---

## Datos técnicos

---

### Datos técnicos

|   |                             |
|---|-----------------------------|
|   | <b>230iB</b>                |
| <b>Motor</b>  |                             |
| Tipo de motor   | BLDC (sin escobillas), 36 V |
| <b>Peso</b>   |                             |
| Peso sin la batería, kg/lb  | 2,5/5,5                     |
| <b>Rendimiento del ventilador del propulsor (con boquilla y tubo de la sopladora)</b> |                             |
| Velocidad máxima de aire, m/s/mpH   | 60,8/136                    |
| Volumen máximo de aire, m <sup>3</sup> /min/cfm                                       | 18,4/650                    |
| Fuerza de soplado, N  | 19,6                        |

Los datos de la vibración y el ruido se determinan según la velocidad nominal máxima.

### Baterías homologadas para el producto

| <b>Batería</b>              | <b>BLi22</b>   |
|-----------------------------|----------------|
| Tipo                        | iones de litio |
| Capacidad de la batería, Ah | 4,2            |
| Voltaje nominal, V          | 36             |
| Peso, kg/lb                 | 1,3/2,9        |

### Cargadores de batería aprobados

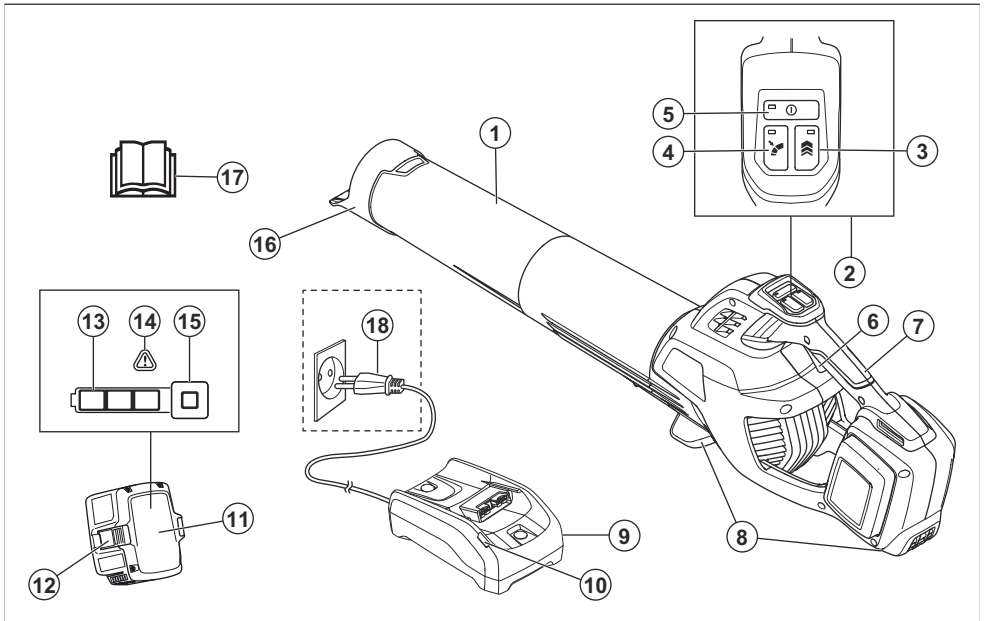
| <b>Cargador de la batería</b> | <b>QC250</b> | <b>40-C80</b> |
|-------------------------------|--------------|---------------|
| Voltaje de entrada, V         | 100-240      | 100-240       |
| Frecuencia, Hz                | 50-60        | 50-60         |
| Potencia, W                   | 250          | 80            |

## Table des matières

|                     |    |  |    |
|---------------------|----|--|----|
| Introduction.....   | 36 | Entretien.....                               | 50 |
| Sécurité.....       | 38 | Dépannage.....                               | 51 |
| Montage.....        | 46 | Transport, entreposage et mise au rebut..... | 52 |
| Fonctionnement..... | 47 | Caractéristiques techniques.....             | 53 |

## Introduction

### Présentation de l'appareil



1. Buse
2. Clavier
3. Bouton de surcroît de puissance
4. Cruise control : Régler le débit d'air optimal pour votre travail
5. Bouton d'alimentation
6. Gâchette
7. Poignée
8. Supports
9. Chargeur de batterie
10. Témoin de marche et d'avertissement
11. Batterie
12. Bouton de déverrouillage de la batterie
13. Indicateur d'état de la batterie

14. Indicateur d'avertissement (témoin d'erreur)
15. Bouton indicateur de la batterie
16. Racloir
17. Manuel de l'opérateur
18. Prise d'alimentation

### Description du produit

Le Husqvarna 230iB est un modèle de souffleur à moteur électrique.

Nous avons une politique de développement continu et nous réservons donc le droit de modifier la conception et l'apparence des produits sans préavis.

## Utilisation prévue

Ce produit est conçu pour souffler les feuilles et d'autres débris des pelouses, des sentiers, des routes bitumées et d'autres surfaces du même genre.

## Symboles figurant sur le produit



**AVERTISSEMENT!** Risque de blessure grave ou de décès de l'utilisateur ou d'autres personnes. Faire attention et utiliser le produit correctement. Lire attentivement le manuel d'utilisation et bien comprendre les directives avant d'utiliser le produit.



Utiliser un dispositif de protection pour les oreilles et des lunettes de protection homologués. Si l'environnement contient de la poussière, utiliser un masque respiratoire.



Porter des bottes et des gants de protection homologués. Porter des manches longues et des pantalons longs.



Ne pas porter de bijou lors de l'utilisation du produit.



Garder les cheveux au-dessus des épaules.



Ne pas laisser, remiser ou utiliser le produit sous la pluie ou dans des conditions humides.



Courant continu.



Le produit ou l'emballage du produit n'est pas un déchet domestique. Recycler dans un centre de recyclage pour équipements électriques et électroniques.



L'utilisateur de l'aspiro-souffleur doit s'assurer qu'aucune personne ou aucun animal ne s'approche à moins de 15 mètres. Lorsque plusieurs utilisateurs travaillent sur le même lieu de travail, il faut garder une distance de sécurité d'au moins 15 mètres. Le souffleur peut projeter violemment des objets qui peuvent rebondir. Cela peut provoquer des lésions oculaires graves si l'équipement de sécurité recommandé n'est pas utilisé.

yyyywwxxxx  
x

La plaque signalétique indique le numéro de série. **yyyy** représente l'année de production, **ww** indique la semaine de production.

## Proposition 65 de la Californie

### **ATTENTION!**

Ce produit contient ou émet un produit chimique qui, d'après l'État de Californie, peuvent causer le cancer, des malformations congénitales ou autre danger pour la reproduction.

## Fabricant

Husqvarna AB

Husqvarna Professional Products, Inc 9335  
Harris Corners Pkwy, Charlotte, NC 28269, USA

## Responsabilité concernant le produit

Comme indiqué dans les lois en vigueur sur la responsabilité concernant les produits, nous ne serons pas tenus responsables des dommages que notre produit causerait dans les situations suivantes :

- Le produit n'est pas réparé de façon adéquate.
- Le produit est réparé avec des pièces qui ne sont pas fournies ou homologuées par le fabricant.
- Le produit comprend un accessoire qui n'est pas fourni ou homologué par le fabricant.

- Le produit n'est pas réparé par un centre de service après-vente agréé ou par une autorité homologuée.

## Symboles sur le chargeur de batterie



Faire attention et utiliser le produit correctement. Cet outil peut causer des blessures graves, ou même mortelles, à l'utilisateur et à d'autres personnes.



Avant d'utiliser la tondeuse, lire attentivement le manuel d'utilisation et veiller à bien comprendre les directives.



L'outil est conforme aux directives européennes en vigueur.



Le produit ou l'emballage du produit n'est pas un déchet domestique. Il faut l'envoyer dans un centre de recyclage pour équipements électriques et électroniques.



Utiliser et garder le chargeur de batterie seulement dans un endroit clos.

**Remarque :** Les autres symboles et autocollants apposés sur le chargeur de batterie se rapportent aux exigences en matière de certification pour certaines zones commerciales.

## Sécurité

### Définitions relatives à la sécurité

Les avertissements, recommandations et remarques soulignent des points du manuel qui revêtent une importance particulière.



### AVERTISSEMENT :

Indique la présence d'un risque de blessure ou de décès de l'utilisateur ou de personnes à proximité si les instructions du manuel ne sont pas suivies.



### MISE EN GARDE :

Indique la présence d'un risque de dommages au produit, à d'autres appareils ou à la zone adjacente si les instructions du manuel ne sont pas suivies.

**Remarque :** Utilisé pour donner des renseignements plus détaillés qui sont nécessaires dans une situation donnée.

## IMPORTANTES CONSIGNES DE SÉCURITÉ



### AVERTISSEMENT :

Lire toutes les instructions et consignes de sécurité. Le non-respect de ces instructions et consignes peut provoquer une électrocution, un incendie et des blessures graves.

## Introduction



### AVERTISSEMENT :

Lire toutes les instructions et consignes de sécurité. Le non-respect de ces instructions et consignes peut provoquer une électrocution, un incendie et des blessures graves.

## LIRE TOUTES LES INSTRUCTIONS

Lire attentivement le manuel d'utilisation et veiller à bien comprendre les directives avant d'utiliser l'outil.



## AVERTISSEMENT :

Afin de réduire le risque d'électrocution, ne pas exposer l'outil à la pluie – le ranger à l'intérieur.

- Ne pas charger l'outil à l'extérieur.
- Utiliser uniquement le chargeur fourni par le fabricant. Un chargeur convenant à un type de bloc de batteries particulier peut entraîner un risque d'incendie s'il est utilisé avec un autre bloc de batteries.
- Ne pas mettre l'outil au feu, même si celui-ci est gravement endommagé.
- Cet outil ne doit pas être considéré comme un jouet. Porter une attention particulière lors de travaux effectués à proximité d'enfants.
- Utiliser cet outil uniquement de la façon décrite dans le présent manuel.
- Utiliser uniquement les accessoires recommandés par le fabricant.
- Si l'outil ne fonctionne pas comme il le devrait, s'il est tombé, s'il a été endommagé, s'il a été laissé dehors ou s'il est tombé dans l'eau, le rapporter au centre d'entretien.
- Ne pas manipuler le chargeur, y compris sa fiche et ses bornes, avec des mains humides.
- Tenir les cheveux, les vêtements amples, les doigts et toute autre partie du corps éloignés des ouvertures et des pièces en mouvement.
- N'insérer aucun objet dans les ouvertures. Ne pas utiliser si une ouverture est bloquée. Nettoyer les ouvertures pour éliminer la poussière, les mousses, les poils ou tout ce qui pourrait obstruer le passage de l'air.
- Porter une attention particulière lors du nettoyage dans les escaliers.
- Ne pas utiliser pour ramasser un liquide combustible ou inflammable ou à proximité d'un tel liquide.

## Consignes générales de sécurité relatives aux outils électriques

### Vérification avant l'utilisation

- Inspecter la zone de travail. Retirer tous les objets mobiles tels que les pierres, le verre cassé, les clous, les fils de fer, les cordes, etc. qui pourraient être projetés.
- Toujours retirer la batterie afin d'éviter tout démarrage accidentel de la machine. Toujours débrancher la batterie avant toute opération d'entretien sur la machine.
- Avant d'utiliser la machine ou après tout impact, vérifier s'il y a des signes éventuels d'usure ou de dommages et réparer le tout au besoin.
- Utiliser des pièces de rechange d'origine.
- L'utilisateur de la machine doit s'assurer qu'aucune personne ou aucun animal ne s'approche à moins de 15 mètres pendant le fonctionnement. Lorsque plusieurs utilisateurs travaillent dans la même zone, la distance de sécurité doit être d'au moins 15 mètres.
- Effectuer une inspection générale de la machine avant de l'utiliser, se reporter au calendrier d'entretien.
- L'utilisation de l'appareil peut être soumise à des réglementations nationales ou locales. Respecter les réglementations en vigueur.

### Sécurité personnelle

- **Lors de l'utilisation d'un outil électrique, toujours demeurer attentif et faire preuve de bon sens. Ne pas utiliser l'outil électrique si vous êtes fatigué ou sous l'emprise de drogues, de l'alcool ou de médicaments.** Tout moment d'inattention pendant l'utilisation d'un outil électrique peut causer de graves blessures.
- Tenir toute personne à distance.
- Cet appareil n'est pas destiné à être utilisé par des personnes (notamment des enfants) aux capacités physiques, sensorielles ou mentales limitées, ou manquant d'expérience et de connaissances, sauf si elles ont bénéficié de la surveillance ou des instructions concernant l'utilisation de l'appareil par une personne responsable de leur sécurité. Les enfants doivent être supervisés afin de s'assurer qu'ils ne jouent pas avec les appareils.

- Ne jamais laisser des enfants ni des personnes n'ayant pas été formées à l'utilisation de la machine et de la batterie l'utiliser ou l'entretenir. La réglementation locale peut fixer l'âge de l'utilisateur.
- Tenir à l'écart toute personne non autorisée. Les enfants, les animaux, les observateurs et les assistants doivent rester en dehors de la zone de sécurité, soit à une distance d'au moins 15 m (50 pi). Arrêter la machine immédiatement si une personne s'approche.
- Remiser l'équipement dans une zone fermable à clé, de façon à le mettre hors de portée des enfants et des personnes non autorisées.
- **S'habiller correctement. Ne jamais porter des vêtements amples ou des bijoux. Garder les cheveux, les vêtements et les gants loin des pièces mobiles.** Les vêtements amples, bijoux et cheveux longs peuvent se prendre dans les pièces en mouvement.
- N'utilisez jamais la machine en cas de fatigue, d'absorption d'alcool ou de prise de médicaments susceptibles de nuire à la vision, au bon jugement ou à la maîtrise du corps.
- Porter un équipement de protection personnelle. Consulter les instructions fournies dans la section « Équipement de protection personnelle ».
- Toujours retirer la batterie lors du passage de la machine à une autre personne.
- Garder en tête que c'est vous, l'opérateur, qui êtes responsable de protéger les personnes et leurs biens de tout accident ou danger.
- Toujours s'assurer de l'absence de débris dans les orifices de ventilation.
- Tous les couvercles, toutes les protections et toutes les protections doivent être montés avant le démarrage.
- Utiliser la machine quand il fait jour ou sous un éclairage suffisant.
- Ne jamais utiliser la machine par mauvais temps, par exemple dans le brouillard, sous la pluie ou dans des endroits humides ou fortement venteux, en cas de froid intense ou en présence d'un risque de foudre, etc. La machine peut surchauffer par temps très chaud. L'utilisation du souffleur par mauvais temps est épuisant et peut mener à des conditions de travail dangereuses, comme des surfaces glissantes.
- Si la machine commence à vibrer de manière anormale, arrêtez-la et retirez la batterie.
- Toujours marcher, ne jamais courir.

## Consignes générales de sécurité



# AVERTISSEMENT :

Lire les messages d'avertissement qui suivent avant d'utiliser l'outil.

## Utilisation et entretien des outils électriques

- Ne jamais utiliser une machine qui a été modifiée de quelque manière que ce soit par rapport aux spécifications d'origine. Ne jamais utiliser la machine près de matériaux explosifs ou inflammables.
- Ne jamais utiliser une machine défectueuse. Effectuer les vérifications de sécurité, de maintenance et d'entretien conformément aux instructions fournies dans ce manuel. Certaines mesures de maintenance et d'entretien doivent être effectuées par des spécialistes formés et qualifiés. Consulter les instructions sous la rubrique Entretien.
- Utiliser des pièces de rechange d'origine.
- Une utilisation inappropriée ou imprudente du produit risque d'en faire un outil dangereux susceptible de provoquer des blessures graves, voire mortelles à l'utilisateur ou à d'autres personnes. Lire et bien comprendre le contenu de ce manuel d'utilisation.
- La conception du produit ne peut en aucun cas être modifiée sans l'autorisation du fabricant. Ne jamais utiliser un produit qui a été modifié de quelque manière que ce soit par rapport aux spécifications d'origine et toujours utiliser des accessoires d'origine. Les modifications et les accessoires non autorisés peuvent engendrer des blessures graves ou la mort de l'utilisateur ou d'autres personnes. Votre garantie ne couvre pas les dommages ou la responsabilité causés par l'utilisation d'accessoires ou de pièces de rechange non autorisés.
- Ce produit produit un champ électromagnétique pendant le fonctionnement. Ce champ magnétique peut, dans certains cas, nuire aux implants



médicaux actifs ou passifs. Pour réduire le risque de blessures graves ou mortelles, nous recommandons aux personnes ayant des implants médicaux de consulter leur médecin et le fabricant de l'implant médical avant d'utiliser le produit.

- Retirer la batterie de l'appareil avant de la charger.

## Consignes de sécurité pour l'utilisation

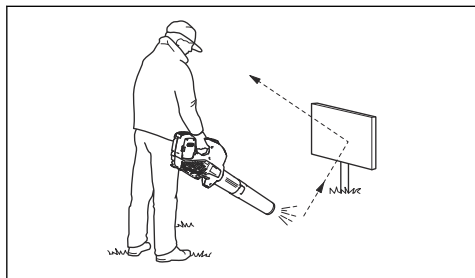


# AVERTISSEMENT :

Lire les messages d'avertissement qui suivent avant d'utiliser l'appareil.

- Il est recommandé de consulter un expert en cas de doute. Communiquer avec votre concessionnaire ou votre atelier d'entretien. Éviter toutes les utilisations qui vous semblent difficiles.
- Ne pas utiliser le souffleur par mauvais temps comme lors de brouillard, de pluie, de vents forts, de froid intense, etc.
- Ne pas laisser des enfants utiliser l'appareil ou se tenir à proximité de celui-ci. L'appareil étant facile à démarrer, les enfants peuvent le faire démarrer s'ils sont laissés sans surveillance. Cela peut entraîner un risque de blessure grave. Débrancher la batterie lorsque le produit n'est pas sous une surveillance stricte.
- S'assurer qu'aucune personne ni aucun animal ne s'approche à moins de 15 mètres (50 pi) pendant le travail. Lorsque plusieurs utilisateurs travaillent dans la même zone, la distance de sécurité doit être d'au moins quinze mètres. Le non-respect de cette directive peut entraîner de graves blessures. Arrêter l'appareil immédiatement si une personne s'approche. Ne jamais balancer le produit sans d'abord jeter un coup d'œil derrière pour s'assurer que personne ne se trouve dans la zone de sécurité.
- S'assurer qu'il est possible de se déplacer et de se tenir debout en toute sécurité. Repérer les obstacles éventuels (racines, roches, branches, fossés, etc.) en cas de déplacement imprévu. Faire très attention lors du travail sur une pente.
- Se tenir bien campé et en parfait équilibre. Ne pas trop se pencher vers l'avant.
- Rester attentif aux appels ou cris d'avertissement lors de l'utilisation des protecteurs d'oreilles. Toujours enlever les protecteurs d'oreilles dès que le produit s'arrête.
- Respecter les personnes qui se trouvent dans l'entourage en évitant d'utiliser le produit à des heures indues, par exemple tard le soir ou tôt le matin. Respecter les règlements et les arrêtés locaux.
- Utiliser le produit au plus petit débit d'air possible. Il est rarement nécessaire d'utiliser l'outil à plein débit d'air, et plusieurs procédures de travail peuvent se faire à demi-débit d'air. Un plus petit débit d'air engendre moins de bruit et de poussière et facilite également le contrôle sur les débris entassés ou déplacés.
- Utiliser un râteau ou un balai pour dégager les débris coincés dans le sol.
- Garder l'ouverture du souffleur aussi près du sol que possible.
- Observer la zone environnante. Diriger le produit à l'écart des personnes, des animaux, des aires de jeux, des voitures, etc.
- Réduire la durée de soufflage en humidifiant légèrement les zones poussiéreuses ou en utilisant un pulvérisateur.
- Tenir compte de la direction du vent. Le travail est plus facile s'il est effectué dans la direction du vent.
- Arrêter le produit et retirer la batterie si le produit commence à vibrer de façon anormale.
- L'utilisation de l'aspiro-souffleur pour déplacer des monticules importants prend beaucoup de temps et génère un bruit inutile.
- Nettoyer une fois le travail terminé. S'assurer que des débris n'ont pas été accidentellement projetés dans le jardin d'un voisin.
- Ne pas courir avec le produit.
- Les puissants jets d'air peuvent déplacer des objets à une vitesse telle qu'ils peuvent

ricocher et causer de graves blessures aux yeux.



- Ne jamais diriger le débit d'air vers des personnes ou des animaux.
- Arrêter le moteur avant de monter ou démonter des accessoires ou d'autres pièces.
- Tenir toute partie du corps à l'écart des surfaces chaudes.
- Ne jamais abandonner le produit en marche à moins de l'avoir sous les yeux.
- Ne pas utiliser le souffleur sur des échelles ou des échafaudages.



- Ne pas utiliser ce produit s'il est impossible d'appeler de l'aide en cas d'accident.
- Faire preuve de prudence à l'égard des projections d'objets. Des pierres, des débris, etc. peuvent être projetés dans vos yeux, causant la cécité ou des blessures graves.
- Utiliser un dispositif de protection contre les courants résiduels (RCD) pour augmenter la sécurité. Un dispositif de protection contre les courants résiduels est prévu pour protéger les utilisateurs en cas de panne électrique.
- Ce produit est reconnu pour sa faible vibration sous charge. La surexposition aux vibrations peut engendrer des problèmes circulatoires ou des troubles nerveux, en particulier chez les personnes ayant des troubles circulatoires. En cas de symptômes liés à une surexposition aux vibrations,

consulter un médecin. Voici certains de ces symptômes : engourdissement, perte de sensibilité, fourmillement, picotement, douleur, faiblesse musculaire, décoloration ou modification de l'épiderme. Ces symptômes apparaissent normalement aux doigts, aux mains et aux poignets.

- Utiliser ce produit seulement pour les travaux auxquels il est destiné.
- Il n'est pas possible de couvrir toutes les situations imaginables qui pourraient se produire. Toujours faire preuve d'attention et de bon sens. Éviter toutes les situations qui vous semblent difficiles. En cas d'incertitude au sujet des procédures d'utilisation après avoir lu ces instructions, consulter un expert avant de continuer.

### Équipement de protection personnelle

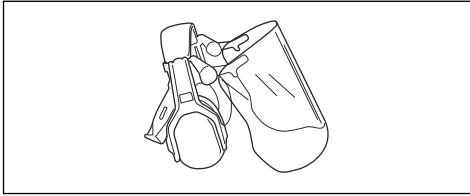


## AVERTISSEMENT : Lire

les messages d'avertissement qui suivent avant d'utiliser le produit.

- Toujours utiliser un équipement de protection personnelle homologué lors de l'utilisation de l'appareil. Cet équipement de protection personnelle n'élimine pas complètement les risques de blessures, mais il peut en réduire la gravité en cas d'accident. Laisser le concessionnaire aider à sélectionner l'équipement adéquat.
- L'exposition prolongée au bruit peut causer des lésions auditives. En règle générale, les outils alimentés par batterie sont relativement silencieux, mais peuvent tout de même causer des lésions auditives en raison d'une combinaison de niveau sonore et d'un usage prolongé. Husqvarna recommande aux utilisateurs d'utiliser des protecteurs d'oreille lors de l'utilisation des produits pendant des périodes prolongées dans une journée. Les

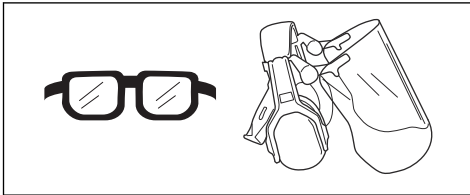
utilisateurs permanents et réguliers doivent faire vérifier régulièrement leur ouïe.



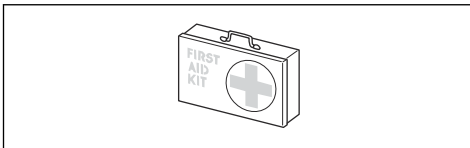
## AVERTISSEMENT :

Les protecteurs d'oreille limitent la capacité d'entendre les sons et les signaux d'avertissement.

- Utiliser un dispositif de protection homologué pour les yeux. Porter également des lunettes de protection homologuées en cas d'utilisation d'une visière. Les lunettes de protection homologuées doivent être conformes à la norme ANSI Z87.1 aux États-Unis ou à la norme EN 166 dans les pays de l'Union européenne.



- Utiliser des vêtements faits de tissus résistants. Toujours utiliser des pantalons longs et lourds et des manches longues. Ne pas porter des vêtements amples qui peuvent se prendre dans les broussailles et les branches. Ne pas porter des bijoux, des pantalons courts, des sandales et ne pas marcher pieds nus. Garder les cheveux au-dessus des épaules.
- Garder une trousse de premiers soins à portée de main.



- Utiliser un masque respiratoire dans les environnements poussiéreux.

### Dispositifs de sécurité sur l'outil



## AVERTISSEMENT :

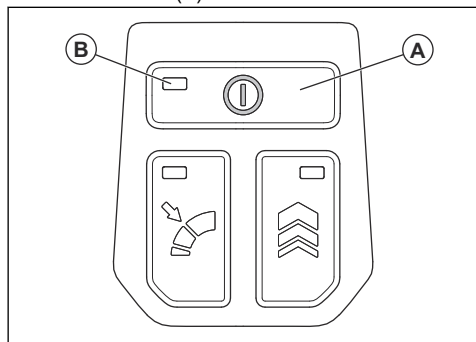
Lire

les messages d'avertissement qui suivent avant d'utiliser l'outil.

- Cette section décrit l'équipement de sécurité du produit, son but et la façon d'en effectuer les inspections et l'entretien afin de s'assurer qu'il fonctionne correctement. Voir les instructions à la section *Introduction à la page 36* pour savoir où se trouvent ces pièces sur votre produit.
- La durée de vie du produit peut être réduite et le risque d'accident peut augmenter si l'entretien de la machine n'est pas effectué correctement et si l'entretien ou les réparations ne sont pas effectués de façon professionnelle. Pour obtenir de plus amples informations, communiquer avec le concessionnaire le plus proche.
- Ne jamais utiliser un produit dont les composants de sécurité sont défectueux. L'équipement de sécurité du produit doit être inspecté et entretenu selon les directives de la présente section. Si une inspection de la machine détecte une panne, communiquer avec un atelier spécialisé pour réparation.
- Tous les travaux de réparation nécessitent une formation spéciale. Ceci concerne particulièrement l'équipement de sécurité du produit. Si les contrôles suivants ne donnent pas un résultat positif, on doit communiquer avec un atelier spécialisé. L'achat de l'un de nos produits offre à l'acheteur la garantie d'un service et de réparations qualifiés. Si le détaillant qui vous a vendu le produit n'est pas un centre de service agréé, demandez-lui l'adresse de l'atelier spécialisé le plus proche.

## Vérification du clavier

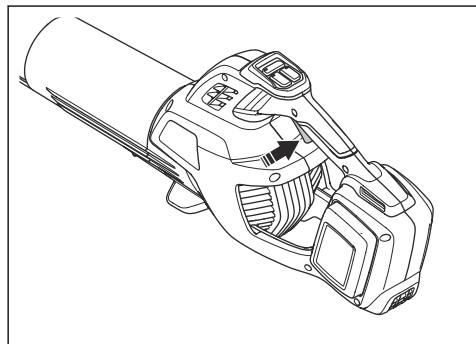
- Maintenir enfoncé le bouton d'alimentation (A).



- a) Quand le produit est sous tension, le témoin à DEL (B) s'allume.
- b) Quand le produit est hors tension, le témoin à DEL (B) s'éteint.

## Pour vérifier le commutateur d'activation

- Appuyer brièvement sur le commutateur d'activation pour s'assurer qu'il se déplace librement.



## Sécurité en matière de batteries



# AVERTISSEMENT :

Lire les messages d'avertissement qui suivent avant d'utiliser le produit.

- Utiliser des piles rechargeables Husqvarna en tant que source d'alimentation pour les produits associés Husqvarna seulement. Pour éviter les blessures, ne pas utiliser la batterie

en tant que source d'alimentation pour d'autres appareils.

- Ne pas utiliser des batteries non rechargeables.
- Risque de choc électrique. Ne pas raccorder les bornes de la batterie à des clés, des pièces de monnaie, des vis ou tout autre élément métallique. Cela peut provoquer un court-circuit de la batterie.
- Manipuler les batteries avec précaution afin de ne pas provoquer un court-circuit avec des matériaux conducteurs tels que les bagues, les bracelets et les clés. La batterie ou le conducteur peuvent surchauffer et causer des brûlures graves.
- Ne pas placer d'objet dans les fentes de ventilation de la batterie.
- Ne pas exposer un bloc de batteries ou l'appareil au feu ou à une température excessive. Une exposition au feu ou à une température supérieure à 130°C (265°F) peut provoquer une explosion.
- Maintenir la batterie à l'écart de la lumière du soleil, de la chaleur et des flammes nues. La batterie peut exploser et causer des brûlures et/ou des brûlures chimiques.
- Garder la batterie à l'écart de la pluie et de l'humidité.
- Garder la batterie à l'écart des micro-ondes et des pressions élevées.
- Ne pas essayer de démonter ou de briser la batterie.
- Ne pas ouvrir ou endommager la batterie. L'électrolyte qu'elle contient est corrosif et peut causer des brûlures aux yeux et à la peau. Elle est toxique en cas d'ingestion.
- S'il y a une fuite au niveau de la batterie, ne pas laisser le liquide toucher la peau ou les yeux. Si on touche le liquide, nettoyer la zone avec une grande quantité d'eau et consulter un médecin.
- Utiliser la batterie dans une température comprise entre -10 °C (14 °F) et 40 °C (114 °F).
- Ne pas nettoyer la batterie ou le chargeur de batterie avec de l'eau. Voir *Pour nettoyer le produit, la batterie et le chargeur de batterie. à la page 51.*
- Ne pas utiliser une batterie défectueuse ou endommagée.

- Garder les batteries en entreposage à l'écart des objets métalliques tels que les clous, les pièces de monnaie et les bijoux.
- Maintenir la batterie à l'écart des enfants.

## Sécurité du chargeur de batteries



# AVERTISSEMENT :

Lire  
les messages d'avertissement qui suivent avant d'utiliser l'outil.

- Risque de choc électrique et de court-circuit si les consignes de sécurité ne sont pas suivies.
- Utiliser une prise secteur mise à la terre approuvée qui n'est pas endommagée.
- N'utiliser que des chargeurs de marque Husqvarna.
- Ne pas essayer de démonter le chargeur de batterie.
- Ne pas utiliser un chargeur de batterie défectueux ou endommagé.
- Ne pas soulever le chargeur de batterie au moyen du cordon d'alimentation. Pour débrancher le chargeur de batteries de la prise murale, tirer la fiche. Ne pas tirer le cordon d'alimentation.
- Tenir les câbles et les rallonges à l'abri de l'eau, de l'huile et des arêtes coupantes. S'assurer que le câble n'est pas coincé entre les portes, les barrières ou quoi que ce soit de semblable.
- Ne pas utiliser le chargeur de batterie à proximité de matériaux inflammables ou de matériaux qui peuvent engendrer une corrosion. S'assurer que le chargeur de batterie n'est pas couvert. Débrancher la prise du chargeur de batterie en cas de fumée ou d'incendie.
- Recharger la batterie seulement dans un endroit clos avec une bonne ventilation et à l'écart de la lumière. Ne pas charger la batterie à l'extérieur. Ne pas charger la batterie dans des conditions humides.
- Utiliser le chargeur de batterie seulement lorsque la température est comprise entre

5 °C (41 °F) et 40 °C (104 °F). Utiliser le chargeur dans un environnement bien ventilé, sec et exempt de poussières.

- Ne pas placer d'objet dans les fentes de refroidissement du chargeur de batterie.
- Ne pas raccorder les bornes du chargeur de batterie aux objets métalliques, car cela peut court-circuiter le chargeur de batterie.
- Utiliser des prises murales approuvées qui ne sont pas endommagées.

## Consignes de sécurité pour l'entretien



# AVERTISSEMENT :

Lire les messages d'avertissement qui suivent avant de procéder à l'entretien du produit.

- Retirer la batterie avant d'effectuer l'entretien, de procéder à d'autres contrôles ou d'assembler le produit.
- L'utilisateur ne doit effectuer que les travaux de réparation et d'entretien décrits dans ce manuel d'utilisation. Se rendre dans le centre de service agréé pour les travaux de réparation ou d'entretien plus importants.
- Garder les boulons, écrous et vis serrés afin de s'assurer que l'outil est en état de fonctionnement sécuritaire.
- Remplacer les pièces usées ou abîmées.
- En absence d'entretien, cela réduit la durée de vie du produit et augmente le risque d'accident.
- Une formation spécifique est nécessaire pour tous les travaux d'entretien et de réparation, en particulier pour les dispositifs de sécurité sur le produit. Si toutes les vérifications indiquées dans ce manuel d'utilisation ne sont pas homologuées une fois l'entretien effectué, se rendre dans le centre de service. La disponibilité des réparations et des entretiens effectués de façon professionnelle est garantie pour votre produit.
- Utiliser des pièces de rechange d'origine.

# CONSERVER CES INSTRUCTIONS

## Montage

### Introduction

Cette section décrit la procédure à suivre pour monter et régler le produit.

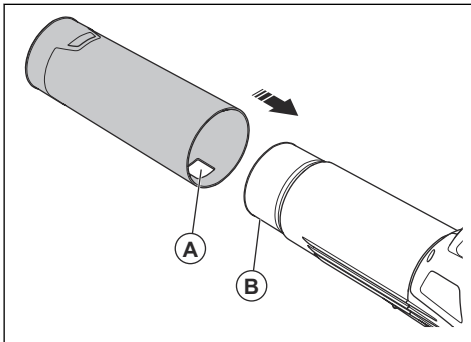


**AVERTISSEMENT :** Avant de procéder au montage du produit, veuillez lire le chapitre sur la sécurité et les instructions de montage.

### Assemblage des tubes du souffleur

**Remarque :** Appliquer un lubrifiant à base d'eau sur l'extrémité des tubes pour faciliter le montage.

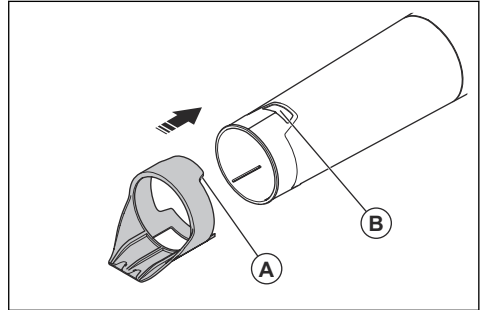
- Fixer la buse du souffleur sur le tube jusqu'à ce que l'onglet (B) entre dans le trou (A). S'assurer que la buse du souffleur et le tube sont verrouillés ensemble.



### Pour fixer le racloir

Le racloir peut être utilisé pour déloger les feuilles et autres matériaux indésirables pour faciliter le nettoyage.

- Fixer le racloir à la buse du souffleur jusqu'à ce que l'onglet (A) entre dans le trou (B). S'assurer que le racloir et le tube sont verrouillés ensemble.

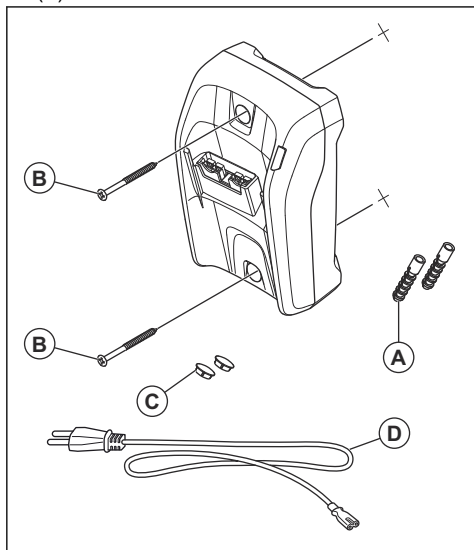


### Pour installer le chargeur de batterie sur le mur



**MISE EN GARDE :** Ne pas utiliser de tournevis électrique pour installer le chargeur de batterie sur le mur. Un tournevis électrique peut endommager le chargeur de batterie.

1. Installer le chargeur de batterie sur le mur à l'aide des deux vis. Utiliser des fiches murales (A) si nécessaire.



2. Installer les deux bouchons à trou de vis (C).
3. Brancher le cordon d'alimentation au chargeur de batterie et à une prise secteur.

---

## Fonctionnement

---

### Introduction



**AVERTISSEMENT** : Lire et comprendre le chapitre sur la sécurité avant d'utiliser le produit.

### Pour vérifier le fonctionnement avant d'utiliser le produit

1. Vérifier l'arrivée d'air pour détecter toute trace éventuelle de saleté ou de fissures. Utiliser une brosse et retirer l'herbe et les feuilles coincées dans le produit.
2. S'assurer que le produit fonctionne correctement.
3. Faire un contrôle de tous les écrous et de toutes les vis et s'assurer qu'ils sont bien serrés.

### Pour brancher le chargeur de batterie



**AVERTISSEMENT** : Utiliser le chargeur de batterie seulement à une température ambiante comprise entre 5 °C / 41 °F et 40 °C / 104 °F.



**MISE EN GARDE** : S'assurer que la batterie, le chargeur de batterie et les bornes de la batterie sont propres et secs. Ne pas mettre la batterie dans le chargeur de batterie si cette première est sale ou humide.

1. Brancher le chargeur de batterie sur une prise secteur. Le voyant à DEL de charge clignote en rouge 1 fois et en vert 1 fois.



**MISE EN GARDE** : Brancher uniquement le chargeur de batterie sur une prise secteur à la tension et la fréquence indiquées sur la plaque signalétique.

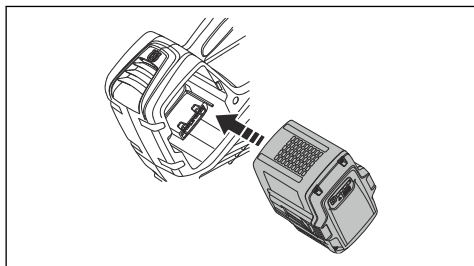
2. Connecter la batterie au chargeur de batterie. La DEL verte s'allume.
3. Retirer la batterie du chargeur lorsqu'elle est complètement chargée. Appuyer sur le bouton indicateur de la batterie pour connaître l'état de la batterie. Lorsque toutes les DEL de la batterie s'allument, la batterie est complètement chargée.
4. Tirer la fiche d'alimentation pour débrancher le chargeur de batterie de la prise secteur. Ne pas tirer le cordon d'alimentation.

## Pour connecter la batterie au produit

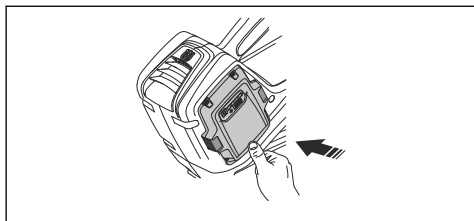


**AVERTISSEMENT :** Utiliser uniquement des batteries d'origine Husqvarna dans le produit.

1. S'assurer que la batterie est complètement chargée.
2. Faire glisser la batterie dans le support de batterie du produit. La batterie doit glisser facilement, si ce n'est pas le cas, il n'est pas installé correctement.

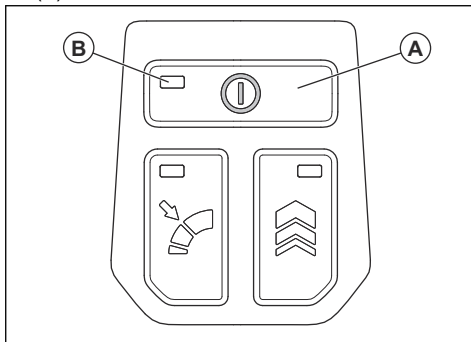


3. Appuyer sur la partie inférieure de la batterie et la pousser vers l'intérieur à fond dans le compartiment de batterie. La batterie se verrouille en position lorsqu'un déclic se fait entendre.
4. S'assurer que les loquets se fixent en place correctement.



## Mise sous tension de l'appareil

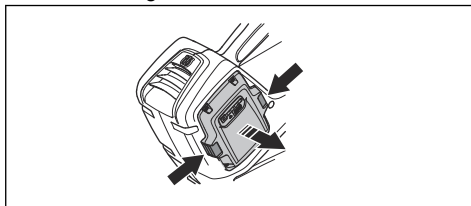
1. Appuyer sur le bouton d'alimentation (A) et le maintenir enfoncé jusqu'à ce que la DEL verte (B) s'allume.



2. Utiliser le commutateur d'activation pour commander la vitesse.

## Arrêt de l'appareil

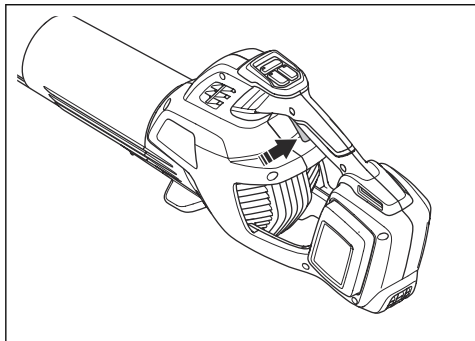
1. Relâcher la gâchette.
2. Appuyer sur le bouton d'alimentation et le maintenir enfoncé jusqu'à ce que la DEL verte s'éteigne.
3. Retirer la batterie de l'outil. Pour dégager la batterie, appuyer sur les 2 boutons de déverrouillage.



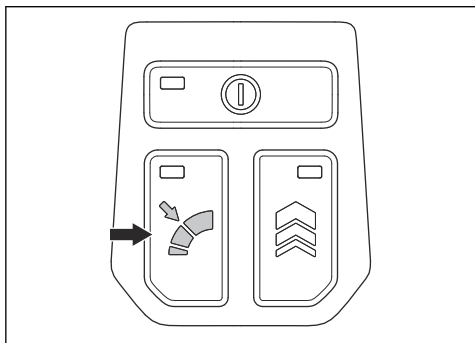


## Réglage du débit d'air optimal pour le travail à effectuer

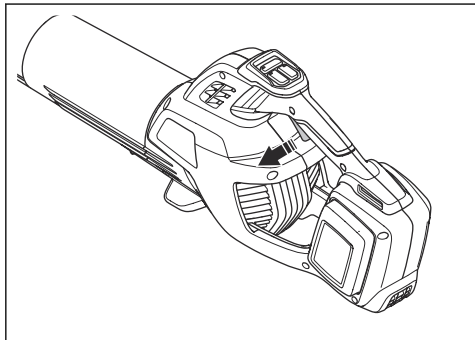
1. Appuyer sur la gâchette de puissance et la maintenir au débit d'air optimal pour le travail à effectuer.



2. Appuyer sur le bouton du régulateur de vitesse pour régler le débit d'air sélectionné. Le témoin à DEL s'allume.



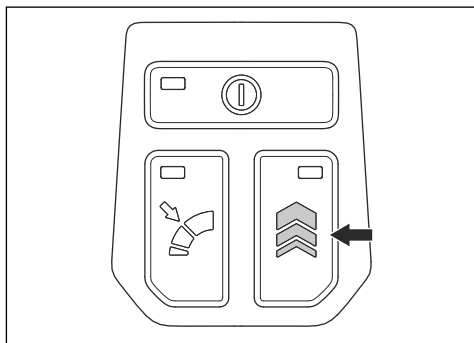
3. Continuer l'utilisation du produit sans appuyer sur la gâchette de puissance.



4. Appuyer de nouveau sur le bouton du régulateur de vitesse pour arrêter la fonction de régulateur de vitesse.

## Pour augmenter de manière temporaire le débit d'air

1. Démarrer l'outil. Se reporter à la section *Mise sous tension de l'appareil* à la page 48.
2. Appuyer sur le bouton de surcroît de puissance pour obtenir un débit d'air maximal. Le témoin à DEL s'allume.



3. Relâcher le bouton de surcroît de puissance pour revenir au débit d'air initial.

## Entretien

### Introduction



**AVERTISSEMENT** : Avant de procéder à l'entretien, lire et bien comprendre le chapitre sur la sécurité.

### Calendrier d'entretien



**AVERTISSEMENT** : Retirer la batterie avant de procéder à l'entretien.

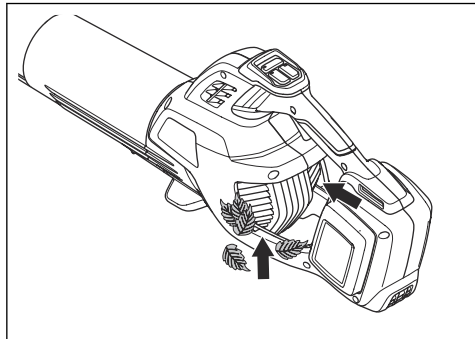
Voici les mesures d'entretien à effectuer sur l'outil.

| Entretien   | Quotidien | Hebdomadaire | Mensuel |
|---|-----------|--------------|---------|
| Nettoyer l'extérieur de la machine à l'aide d'un chiffon propre et sec. Ne jamais utiliser de l'eau.                                | X         |              |         |
| Garder les poignées sèches, propres et exemptes d'huile et de graisse.  | X         |              |         |
| S'assurer que le bouton d'alimentation fonctionne correctement et n'est pas endommagé.  | X         |              |         |
| S'assurer que le commutateur d'activation fonctionne correctement par rapport aux normes de sécurité.                               | X         |              |         |
| Vérifier le serrage des écrous et des vis.  | X         |              |         |
| Vérifier que la batterie est intacte.   | X         |              |         |
| Vérifier la charge de la batterie.  | X         |              |         |
| S'assurer que les boutons de déverrouillage de la batterie fonctionnent et fixent la batterie à la machine.                         | X         |              |         |
| S'assurer que le chargeur de batterie est intact et fonctionnel.  | X         |              |         |
| S'assurer que toutes les connexions sont intactes et propres.   |           | X            |         |
| Vérifiez les raccordements entre la batterie et la machine, ainsi que le raccordement entre la batterie et le chargeur de batterie. |           |              | X       |

## Vérification de la prise d'air

en résulter une défaillance du moteur.

1. S'assurer que la prise d'air n'est pas obstruée



2. Au besoin, mettre le produit hors tension et retirer les feuilles ou les matériaux indésirables.



### MISE EN GARDE :

L'obstruction de la prise d'air réduit la capacité de soufflage de l'outil et augmente la température de fonctionnement du moteur. Si le moteur devient trop chaud, il peut

## Pour examiner la batterie et le chargeur de batterie

1. Examiner la batterie pour détecter des dommages éventuels, par exemple des fissures.
2. Examiner le chargeur de batterie pour détecter des dommages éventuels, par exemple des fissures.
3. S'assurer que le cordon de raccordement du chargeur de batterie est intact et qu'il ne présente pas de fissure.

## Pour nettoyer le produit, la batterie et le chargeur de batterie.

1. Nettoyer le produit à l'aide d'un chiffon sec après utilisation.
2. Nettoyer la batterie et chargeur de batterie à l'aide d'un chiffon sec. Garder les chemins de guidage de la batterie propres.
3. S'assurer que les bornes de la batterie et le chargeur de batterie sont propres avant de placer la batterie dans le chargeur de batterie ou sur le produit.

## Dépannage

### Clavier

| Clavier                     | Anomalies potentielles    | Action possible      |
|-----------------------------|---------------------------|----------------------|
| Le voyant DEL vert clignote | Niveau de batterie faible | Charger la batterie. |

### Batterie

| État  | Anomalies potentielles   | Procédure possible   |
|---|--|--|
| La DEL d'avertissement de la batterie clignote. | Écart de température, la batterie est trop froide ou trop chaude pour être utilisée. | Laisser la batterie se refroidir ou la placer à l'intérieur afin de lui permettre de se réchauffer. Lorsque la température de la batterie est adéquate, il sera possible de l'utiliser. Utiliser la batterie dans une température comprise entre -10 °C (14 °F) et 40 °C (104 °F). |
|   | La batterie est à plat.  | Charger la batterie.   |

| État  | Anomalies potentielles         | Procédure possible                         |
|---|--------------------------------|--|
| La DEL d'avertissement de la batterie s'allume. | Erreur de batterie permanente. | Communiquer avec votre centre de services. |

## Chargeur de batterie

| État  | Anomalies potentielles  | Procédure possible   |
|---|---|--|
| Le voyant DEL du système de charge est rouge.         | Erreur permanente du chargeur de batterie   | Communiquer avec votre centre de services.   |
| Le voyant DEL du système de charge clignote en rouge. | Écart de température, la batterie est trop froide ou trop chaude pour être utilisée ou chargée. | Laisser la batterie se refroidir ou se réchauffer. Lorsque la température de la batterie est adéquate, il sera possible de l'utiliser ou de la recharger. Utiliser le chargeur de batterie dans une zone de températures entre 5 °C (41 °F) et 40 °C (104 °F). |
| Le voyant DEL du système de charge clignote en vert.  |   |  |
| Le voyant DEL du système de charge clignote en rouge. | Batterie défectueuse.   | Communiquer avec votre centre de services.   |

---

## Transport, entreposage et mise au rebut

---

### Transport et entreposage

- Les batteries au lithium-ion fournies respectent les exigences de la loi sur les produits dangereux.
- Respecter l'exigence spéciale relative à l'emballage et aux étiquettes pour le transport commercial, y compris par des tiers et des transitaires.
- Communiquer avec une personne ayant une formation spéciale en matière de composés dangereux avant d'envoyer le produit. Respecter tous les règlements nationaux applicables.
- Utiliser du ruban adhésif sur des contacts ouverts lorsque vous emballez la batterie. Placer la batterie dans un emballage hermétique pour éviter tout mouvement.
- Déposer la batterie à des fins de remisage ou de transport.
- Placer la batterie et le chargeur de batterie dans un espace sec et exempt d'humidité et de gel.
- Ne pas maintenir la batterie dans une zone où l'électricité statique peut se développer. Ne pas entreposer la batterie dans une boîte métallique.
- Entreposer la batterie dans un endroit où la température est comprise entre 5 °C (41 °F) et 25 °C (77 °F) et à l'écart des rayons directs du soleil.
- Entreposer le chargeur de batterie dans un endroit où la température est comprise entre 5 °C (41 °F) et 45°C (113 °F) et à l'écart des rayons directs du soleil.
- Utiliser le chargeur de batterie seulement lorsque la température ambiante est comprise entre 5 °C (41 °F) et 40 °C (104 °F).
- Charger la batterie entre 30 % et 50 % avant de la remettre pour une longue période.
- Entreposer le chargeur de batterie dans un endroit clos et sec.
- Tenir la batterie à l'écart du chargeur de batterie pendant la période d'entreposage. Ne pas laisser des enfants et d'autres personnes non autorisées toucher l'équipement.

Maintenir l'équipement dans un endroit qui peut être verrouillé.

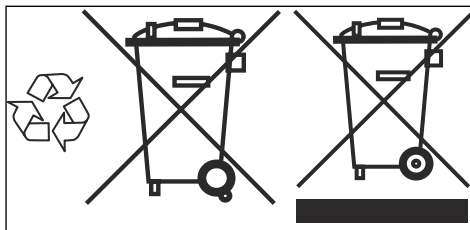
- Nettoyer le produit et effectuer un entretien complet avant de l'entreposer dans le local de rangement pendant une longue période.
- Utiliser le fourreau de transport sur le produit afin d'éviter des blessures ou des dommages au produit pendant le transport et le remisage.
- Fixer le produit de façon sécuritaire pendant le transport.

### Mise au rebut de la batterie, du chargeur de batterie et du produit

Le symbole ci-dessous signifie que le produit n'est pas un déchet domestique. Le recycler à la station de recyclage des équipements électriques et électroniques. Cela permet d'éviter des dommages à l'environnement et aux personnes.

Communiquer avec les autorités locales, le service de déchets ménagers et votre

concessionnaire pour obtenir de plus amples renseignements.



**Remarque :** Le symbole sur le produit ou l'emballage du produit, indique :

---

## Caractéristiques techniques

---

### Caractéristiques techniques

|  |                         |
|--|-------------------------|
|  | <b>230iB</b>            |
| <b>Moteur</b>  |                         |
| Type de moteur   | BLDC (sans balais) 36 V |
| <b>Poids</b>   |                         |
| Poids sans batterie, kg/lb   | 2,5 / 5,5               |
| <b>Rendement de la roue à ailette (avec buse et tube du souffleur)</b> |                         |
| Vitesse de l'air maximal, m/s/mi/h                                     | 60,8/136                |
| Volume d'air maximal, m <sup>3</sup> /min/pi <sup>3</sup> /min         | 18,4 / 650              |
| Force de soufflage, N  | 19,6                    |

Les données sur le bruit et les vibrations sont déterminées sur la base de la vitesse nominale maximale.

### Batteries homologuées pour le produit

|                 |              |
|-----------------|--------------|
| <b>Batterie</b> | <b>BLi22</b> |
| Type            | Lithium-ion  |

| <b>Batterie</b>             | <b>BLi22</b> |
|-----------------------------|--------------|
| Capacité de la batterie, Ah | 4,2          |
| Tension nominale, V         | 36           |
| Poids, lb/kg                | 2,9 /1,3     |

### Chargeurs de batteries approuvés

| <b>Chargeur de batterie</b> | <b>QC250</b> | <b>40-C80</b> |
|-----------------------------|--------------|---------------|
| Tension d'entrée, V         | 100 à 240    | 100 à 240     |
| Fréquence, Hz               | 50-60        | 50-60         |
| Puissance, W                | 250          | 80            |





[www.husqvarna.com](http://www.husqvarna.com)

Original instructions  
Instrucciones originales  
Instructions d'origine  
1142410-49



2022-08-15