

# STIHL

## STIHL RMA 460 V

Instruction Manual  
Manual de instrucciones



**! WARNING**

Read Instruction Manual thoroughly before use and follow all safety precautions – improper use can cause serious or fatal injury.

**! ADVERTENCIA**

Antes de usar la máquina lea y siga todas las precauciones de seguridad dadas en el manual de instrucciones – el uso incorrecto puede causar lesiones graves o mortales.



**GB** Instruction Manual  
1 - 40

**USA** Manual de instrucciones  
41 - 83

# Contents

<b>1</b>	<b>Introduction</b>	<b>2</b>	11.3 Inserting and Removing the Mulch Insert	21
<b>2</b>	<b>Guide to Using this Manual</b>	<b>2</b>	11.4 Mounting and Removing the Side Discharge Guide	21
2.1	Signal Words	2	<b>12 Adjusting the Lawn Mower</b>	<b>22</b>
2.2	Symbols in Text	3	12.1 Unfolding and Adjusting the Handle	22
<b>3</b>	<b>Main Parts</b>	<b>3</b>	12.2 Folding the Handle	23
3.1	Lawn Mower and Battery	3	<b>13 Inserting and Removing the Fuse Key</b>	<b>24</b>
<b>4</b>	<b>Safety Symbols on the Products</b>	<b>4</b>	13.1 Inserting the Fuse Key	24
4.1	Lawn Mower	4	13.2 Removing the Fuse Key	24
4.2	Battery	5	<b>14 Inserting and Removing the Battery</b>	<b>25</b>
<b>5</b>	<b>IMPORTANT SAFETY INSTRUCTIONS</b>	<b>6</b>	14.1 Inserting the Battery	25
5.1	General Safety Warnings and Instructions	6	14.2 Removing the Battery	25
5.2	General Safety Warnings and Instructions for Battery-Powered Products	6	<b>15 Switching the Lawn Mower On and Off</b>	<b>26</b>
5.3	Intended Use	7	15.1 Switching On	26
5.4	Operator	8	15.2 Switching Off	26
5.5	Personal Protective Equipment	8	<b>16 Activating and Deactivating Drive System</b>	<b>27</b>
5.6	Lawn Mower	9	16.1 Activating Drive System	27
5.7	Using the Lawn Mower	10	16.2 Deactivating Drive System	27
<b>6</b>	<b>Battery Safety</b>	<b>15</b>	<b>17 Checking the Lawn Mower</b>	<b>27</b>
6.1	Warnings and Instructions	15	17.1 Testing the Controls	27
<b>7</b>	<b>Maintenance, Repair and Storage</b>	<b>17</b>	<b>18 During Operation</b>	<b>27</b>
7.1	Warnings and Instructions	17	18.1 Adjusting the Cutting Height	27
<b>8</b>	<b>Before Starting Work</b>	<b>17</b>	18.2 Activating ECO Mode	28
8.1	Preparing the Lawn Mower for Operation	17	18.3 Mowing and Mulching	28
<b>9</b>	<b>Charging the Battery</b>	<b>18</b>	<b>19 After Finishing Work</b>	<b>29</b>
9.1	Setting up the Charger	18	19.1 Preparing for Transportation or Storage	29
9.2	Charging	18	<b>20 Transporting the Lawn Mower and Battery</b>	<b>29</b>
<b>10</b>	<b>LED Diagnostics</b>	<b>19</b>	20.1 Lawn Mower	29
10.1	LEDs on the Battery	19	20.2 Battery	30
<b>11</b>	<b>Assembling the Lawn Mower</b>	<b>20</b>	<b>21 Storing the Lawn Mower and Battery</b>	<b>30</b>
11.1	Mounting the Handle	20	21.1 Lawn Mower	30
11.2	Mounting and Removing the Grass Bag	20	21.2 Battery	31
			<b>22 Cleaning</b>	<b>31</b>

# STIHL

This instruction manual is protected by copyright. All rights reserved, especially the rights to reproduce, translate and process with electronic systems.

22.1 Cleaning the Lawn Mower and Battery .....	31
<b>23 Inspection and Maintenance .....</b>	<b>32</b>
23.1 Inspecting and Maintaining the Lawn Mower .....	32
23.2 Inspecting the Mowing Blade .....	32
23.3 Sharpening and Balancing the Mowing Blade .....	33
23.4 Replacing the Mowing Blade .....	34
<b>24 Troubleshooting Guide .....</b>	<b>35</b>
24.1 Lawn Mower and Battery .....	35
<b>25 Specifications .....</b>	<b>37</b>
25.1 Lawn Mower STIHL RMA 460.0 V .....	37
25.2 Symbols on the Lawn Mower and Battery .....	37
25.3 STIHL AK Series Battery .....	37
25.4 Engineering Improvements .....	38
25.5 FCC 15 Compliance Statement .....	38
<b>26 Replacement Parts and Equipment .....</b>	<b>39</b>
26.1 Genuine STIHL Replacement Parts .....	39
<b>27 Disposal .....</b>	<b>39</b>
27.1 Disposal of the Power Tool .....	39
27.2 Battery Recycling .....	39
<b>28 Limited Warranty .....</b>	<b>39</b>
28.1 STIHL Incorporated Limited Warranty Policy .....	39
<b>29 Trademarks .....</b>	<b>39</b>
29.1 Registered Trademarks .....	39
29.2 Common Law Trademarks .....	40
<b>30 Addresses .....</b>	<b>40</b>
30.1 STIHL Incorporated .....	40

## 1 Introduction

Thank you for your purchase. The information contained in this manual will help you receive maximum performance and satisfaction from your STIHL lawn mower and, if followed, reduce the risk of injury from its use.

### SAVE THIS MANUAL!



Because a lawn mower is a high-speed cutting tool and is battery-powered, special safety precautions must be observed to reduce the risk of personal injury.



Read this instruction manual thoroughly before use and periodically thereafter. Follow all safety precautions. Careless or improper use of the lawn mower can cause serious or fatal injury.

Have your authorized STIHL servicing dealer show you how to operate your lawn mower.

Do not lend or rent your lawn mower without this instruction manual. Allow only persons who have the proper training and fully understand the information in this manual to operate the lawn mower.

For further information, or if you do not understand any of the instructions in this manual, please go to [www.stihlusa.com](http://www.stihlusa.com) or contact your authorized STIHL servicing dealer.

## 2 Guide to Using this Manual

### 2.1 Signal Words

This manual contains safety information that requires your special attention. Such information is introduced with the following symbols and signal words:



Indicates a hazardous situation that, if not avoided, will result in death or serious injury.

### **⚠ WARNING**


Indicates a hazardous situation that, if not avoided, could result in death or serious injury.

### **NOTICE**

Indicates a risk of property damage, including damage to the machine or its individual components.

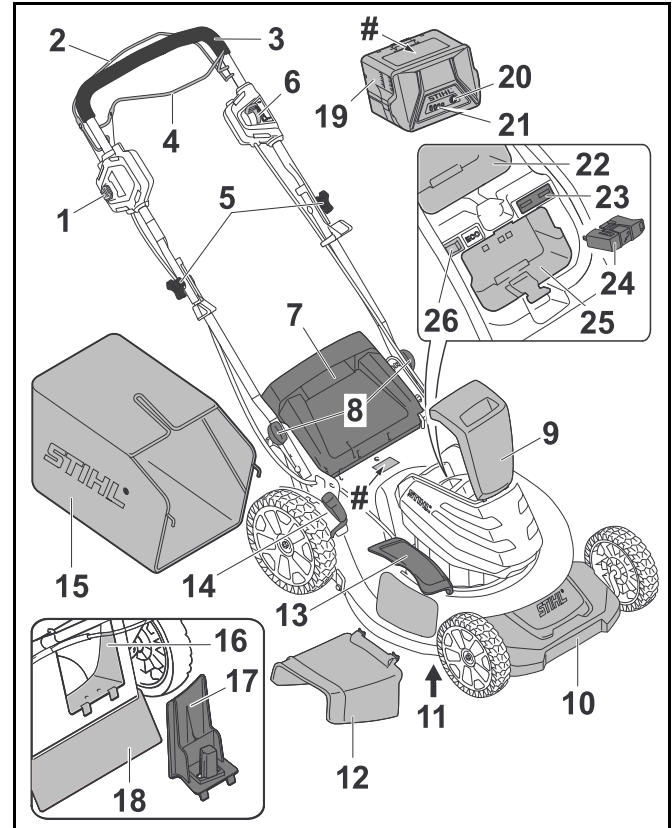
## 2.2 Symbols in Text

The following symbol is included to assist you with the use of the manual:

 Refers to a designated chapter or sub-chapter in this instruction manual.

## 3 Main Parts

### 3.1 Lawn Mower and Battery



#### 1 Switch Lever Lockout

Prevents activation of the switch lever until depressed.

#### 2 Switch Lever

Switches the mower blade on and off.

#### 3 Handle

For controlling the lawn mower.

- 4 Self-Propel Lever**  
Activates drive system.
- 5 Knob**  
Enables upper handle to be folded down.
- 6 Speed Lever**  
Controls the drive speed.
- 7 Rear Discharge Cover**  
Helps prevent the ejection of cuttings during mowing.
- 8 Handle Knob**  
Enables lower and upper handle to be folded down.
- 9 Battery Compartment Cover**  
Covers and protects battery compartment, spare battery storage compartment, ECO-switch, battery and fuse key.
- 10 Cover**  
Designed for transporting the unit and covering the housing.
- 11 Mowing Blade**  
Metal blade for cutting and mulching grass.
- 12 Side Discharge Guide**  
Guide cuttings towards the ground during mowing.
- 13 Side Discharge Cover**  
Helps prevent the ejection of cuttings during mowing.
- 14 Cutting Height Adjustment Lever**  
Used to set the height of the mowing blade.
- 15 Grass Bag**  
Collects cuttings during mowing.
- 16 Rear Discharge Chute**  
Ejects cuttings into the grass bag during mowing.
- 17 Mulch Insert**  
Prevents the ejection of cuttings to the rear discharge chute.
- 18 Trailing Shield**  
Designed to reduce the risk of injury from thrown objects and/or blade contact.

- 19 Battery**  
Supplies electrical power to the motor.
- 20 Push Button**  
Activates the battery's LEDs.
- 21 Battery LEDs**  
Indicate the battery's state of charge and display error messages regarding potential malfunctions in the battery or power tool.
- 22 Spare Battery Compartment**  
Holds the spare battery.
- 23 Fuse Key Socket**  
Socket for connecting the fuse key to the lawn mower.
- 24 Fuse Key**  
Interrupts the circuit between the battery and motor.
- 25 Battery Compartment**  
Holds the battery.
- 26 ECO-Switch**  
Turns the ECO-mode on or off.
- # Rating Plate**  
Contains electrical information and the product's serial number.

## 4 Safety Symbols on the Products

### 4.1 Lawn Mower

The following safety symbols are found on the lawn mower:



To reduce the risk of injury, follow the specified safety precautions.



Read and follow all safety precautions in the instruction manual. Improper use can lead to serious or fatal personal injury or property damage.



To reduce the risk of eye injury, always wear proper eye protection, 5.5.



To reduce the risk of personal injury or property damage from a short circuit, fire or explosion, keep the lawn mower dry. Protect it from rain, water, liquids and damp conditions. Never immerse the lawn mower in water or other liquids, 5.6.



To reduce the risk of laceration injuries, keep hands, feet and other body parts away from the mowing blade. Never put hands or feet under the lawn mower, particularly during operation. Never attempt to clear clippings or debris from the mowing blade or discharge chutes without first switching off the mower and removing the fuse key and battery, 5.7.4.



**DANGER - Keep Hands and Feet Away.**

To reduce the risk of injury, keep hands and feet away from rotating parts. Do not operate unless discharge covers or grass bag are securely in place. If damaged, replace discharge covers immediately, 5.7.4.



The rotating mowing blade may throw or fling foreign objects directly or by ricochet. To reduce the risk of personal injury from thrown objects, inspect the mowing area and remove stones, pieces of metal, glass, wire and other objects that could be thrown by the mowing blade, 5.7.4.



To reduce the risk of personal injury from thrown objects, keep bystanders at least 50 ft. (15 m) away, 5.7.4.



To reduce the risk of injury from loss of control, mow parallel to the slope, never up or down. Take particular care when changing direction on slopes, 5.7.4.



To reduce the risk of injury or property damage from unintended activation, remove the battery any time the lawn mower is not in use, 5.7.

## 4.2 Battery

The following safety symbols are found on the AK series battery:



To reduce the risk of injury, follow the specified safety precautions.



Read and follow all safety precautions in the battery's instruction manual and the manual for the STIHL tool powered by this battery. Improper use can lead to serious or fatal personal injury or property damage.



To reduce the risk of personal injury or property damage from fire, explosion or burns, including chemical burns, do not disassemble, crush, drop, damage or heat above 212 °F (100 °C). Never expose to fire or incinerate, 6.



To reduce the risk of personal injury or property damage from fire, use and store only within an ambient temperature range of 14 °F to 122 °F (- 10 °C to 50 °C), 6.



To reduce the risk of personal injury or property damage from a short circuit, fire or explosion, keep dry. Protect from rain, water, liquids and damp conditions. Never immerse in water or other liquids, 6.

Batteries sold separately.

## 5 IMPORTANT SAFETY INSTRUCTIONS

### 5.1 General Safety Warnings and Instructions

This section contains the prescribed general safety warnings and instructions for electric lawn mowers. Additional important warnings and instructions are provided in subsequent sections of this manual.

### **⚠ WARNING**

When using electric lawn mowers, basic safety precautions should always be followed to reduce the risk of fire, electric shock and personal injury, including the following:

#### **READ ALL INSTRUCTIONS BEFORE USING THE LAWN MOWER!**

- 1) Avoid Dangerous Environment – Don't use lawn mowers in damp or wet locations.
- 2) Don't Use In Rain.
- 3) Keep Children Away – All bystanders should be kept at a distance from work area.
- 4) Dress Properly – Do not wear loose clothing or jewelry. They can be caught in moving parts. Substantial footwear is recommended. Never wear sandals, tennis shoes, flip flops or similar footwear or go barefoot. Wear heavy-duty work gloves (e.g. made of leather or other wear-resistant material) when transporting the mower or carrying out work on the mower blade.
- 5) Use Protective Glasses – Always use an approved face or dust mask if operation is dusty.
- 6) Use the Right Appliance – Do not use the lawn mower for any job except that for which it is intended.
- 7) Do Not Force the Lawn Mower – It will do the job better and more safely at the rate for which it was designed.
- 8) Do Not Overreach – Keep proper footing and balance at all times.
- 9) Stay Alert – Watch what you are doing. Use common sense. Do not operate the lawn mower when you are tired.

- 10) Disconnect the Lawn Mower – Disconnect the lawn mower from the power supply by removing the fuse key and battery when not in use, before servicing, when changing accessories such as blades, and the like.
- 11) Store Lawn Mower Indoors – When not in use, lawn mower should be stored indoors in a dry and locked place – out of reach of children.
- 12) Maintain the Lawn Mower With Care – Keep cutting edges sharp and clean for optimal performance and to reduce the risk of injury. Follow instructions for lubricating and changing accessories. Inspect lawn mower periodically and, if damaged, have it repaired by an authorized service facility.
- 13) Keep handles dry, clean and free from oil and grease.
- 14) Keep guards in place and in working order.
- 15) Keep blades sharp.
- 16) Keep hands and feet away from cutting area.
- 17) Objects struck by lawn mower blade can cause severe injuries to persons. The lawn should always be carefully examined and cleared of all objects prior to each mowing.
- 18) If lawn mower strikes a foreign object, follow these steps:
  - Stop lawn mower. Release switch lever.
  - Remove fuse key and battery.
  - Inspect for damage.
  - Have any damage repaired by an authorized service facility before restarting and operating the lawn mower.
- 19) Use identical replacement blades only.

#### **SAVE THESE INSTRUCTIONS**

### 5.2 General Safety Warnings and Instructions for Battery-Powered Products

This section contains the prescribed general safety warnings and instructions for battery-powered products contained in UL 2595.



## **▲ WARNING**

Read all safety warnings and instructions. Failure to follow the warnings and instructions may result in electric shock, fire, explosion and/or serious injury or property damage.

- 1) Prevent unintentional starting. Ensure the switch lever is in the off-position before inserting the battery.
- 2) Remove the fuse key and battery before picking up or carrying the mower and before making any adjustments, changing accessories or storing. Such preventive safety measures reduce the risk of starting the mower accidentally.
- 3) Recharge only with the charger specified by STIHL. A charger that is suitable for one type of battery may create a risk of fire when used with another battery.
- 4) Use the mower only with the specifically designated batteries. Use of any other battery may create a risk of fire or explosion and personal injury or property damage.
- 5) When the battery is not in use, keep it away from other metal objects, like paper clips, coins, keys, nails or other small metal objects that can make a connection from one terminal to another. Do not store it in a metal container. Shorting the battery terminals together may cause burns or a fire or explosion.
- 6) Under abusive conditions, liquid may be ejected from the battery; avoid contact. If contact accidentally occurs, flush with water. If liquid contacts eyes, additionally seek medical help. Liquid ejected from the battery may cause irritation, chemical burns or respiratory illness from inhalation.
- 7) Do not use a battery or mower that is damaged or modified. Damaged or modified batteries may exhibit unpredictable behaviour resulting in fire, explosion and risk of injury or property damage.
- 8) Do not expose a battery or the mower to fire or excessive temperature. Exposure to fire or temperatures above 212° F (100° C) may cause fire and explosion.

9) Follow all charging instructions and do not charge the battery outside of the ambient temperature range specified. Charging improperly or outside the specified range may damage the battery and increase the risk of fire.

10) Have servicing performed by a qualified repair person using only identical replacement parts.

## **SAVE THESE INSTRUCTIONS**

### **5.3 Intended Use**

## **▲ WARNING**

- This lawn mower is intended for manual lawn mowing. Use of the lawn mower for operations different than intended could result in serious injury or death.
  - Use this lawn mower only for mowing dry grass. Do not mow wet grass.
- Improper use could result in personal injury or property damage, including damage to the lawn mower.
  - Use the lawn mower and battery only as described in this manual.
  - Never attempt to modify or override the lawn mower's controls or safety devices in any way.
  - Never use a lawn mower that has been modified or altered from its original design.
  - Be sure to read and follow the warnings and instructions for your battery and charger before charging or starting work.
- This power tool may be powered only by a STIHL AK series battery.
- The STIHL AK series battery is designed for use only with compatible STIHL power tools.

Batteries, chargers and other accessories are sold separately.

## 5.4 Operator

### **⚠** WARNING

- Working with the lawn mower can be strenuous. The operator must be in good physical condition and mental health. To reduce the risk of personal injury from fatigue and loss of control:
  - Check with your doctor before using the lawn mower if you have any health condition that may be aggravated by strenuous work.
  - Do not operate the lawn mower while under the influence of any substance (drug, alcohol or medication, etc.) that might impair vision, balance, dexterity or judgment.
  - Be alert. Do not operate the lawn mower when you are tired. Take a break if you become tired.
  - Do not permit minors to use the lawn mower.
  - Bystanders, especially children, and animals should not be allowed in the area where the lawn mower is in use.
- According to STIHL's current knowledge, the electric motor of this lawn mower should not interfere with a pacemaker.
  - However, persons with a pacemaker or other implanted medical device should consult their physician and device manufacturer before operating this lawn mower.

## 5.5 Personal Protective Equipment

### **⚠** WARNING

- Loss of control and severe cut injuries may result if hair, clothing or apparel make contact with the moving mowing blade or otherwise become entangled in the components of the lawn mower. To reduce the risk of severe personal injury:



- Wear sturdy and snug-fitting clothing that also allows complete freedom of movement.
- Wear overalls or long pants made of heavy material to help protect your legs. Do not wear shorts.
- Avoid loose-fitting jackets, scarves, neckties, flared or cuffed pants, jewelry and any other apparel that could be caught on branches, brush or the moving parts of the mower.
- Secure hair above shoulder level before starting work.

- To reduce the risk of eye injury:



- Always wear goggles or close-fitting protective glasses with adequate side protection that are impact-rated and marked as complying with ANSI Z87 "+".

- Good footing is very important. To help maintain a secure footing and reduce the risk of injury while working:



- Wear substantial footwear with non-slip soles. Do not wear sandals, flip-flops, open-toed or similar footwear or go barefoot.

- To improve your grip and help protect your hands:



- Always wear heavy-duty non-slip work gloves made of leather or another wear-resistant material when handling the lawn mower or its mowing blade

## 5.6 Lawn Mower

**⚠ WARNING**

- If the moving mowing blade contacts you, it will result in serious laceration injuries. To reduce the risk of such injuries:
  - Keep hands, feet and other parts of your body away from the mowing blade.
  - Never touch the moving mowing blade with your hand or any other part of your body.

- To reduce the risk of electric shock:



- Do not expose the lawn mower to rain, water or excessive moisture.
- Never immerse the lawn mower in water or other liquids.
- Do not leave the mower outdoors in the rain.
- Store the lawn mower indoors.

- If the moving mowing blade contacts you, it will result in serious laceration injuries. To reduce the risk of such injuries:
  - Keep hands, feet and other parts of your body away from the mowing blade.
  - Never touch the moving mowing blade with your hand or any other part of your body.

- To reduce the risk of personal injury to the operator and bystanders:




- Always release the switch lever, remove the fuse key and battery before assembling, transporting, adjusting, inspecting, cleaning, servicing, maintaining or storing the lawn mower and any other time it is not in use.

- Although certain unauthorized accessories or attachments may fit STIHL lawn mowers, their use may increase the risk of personal injury. Only accessories and

attachments supplied by STIHL or expressly approved by STIHL for use with this specific lawn mower model are recommended.

- Use only attachments supplied or expressly approved by STIHL.
- Never modify this lawn mower or its software in any way.
- Never attempt to modify or override the lawn mower's controls or safety devices in any way.
- The switch and safety devices installed in the lawn mower must not be removed or bypassed. In particular, never secure the switch lever to the handle (e.g., by tying it.)
- Never use a lawn mower that has been modified or altered from its original design.

- If the lawn mower is dropped or subjected to similar heavy impacts:

- Check that it is undamaged, in good condition and functioning properly before continuing work.
- Check that the controls and safety devices are working properly.
- Check the LEDs for error messages,  10.1.2.
- Check that the battery has not been damaged. Never use or charge a malfunctioning, damaged, cracked, leaking or deformed battery.
- Never work with a damaged or malfunctioning lawn mower or battery. In case of doubt, have the lawn mower and battery checked by your authorized STIHL servicing dealer.

- If the lawn mower or battery is damaged, not working properly, has been left outdoors, exposed to rain or damp conditions or dropped into water or other liquid, its

components may no longer function properly and safety devices may be inoperative. To reduce the risk of personal injury and property damage:


- Take the lawn mower and battery to your authorized STIHL servicing dealer to be checked before further operation.
- Genuine STIHL replacement parts are specifically designed to match your lawn mower and meet safety and performance requirements. Use of parts that are not authorized or approved by STIHL may cause serious or fatal injury or property damage.
  - STIHL recommends that only identical STIHL replacement parts be used.

## 5.7 Using the Lawn Mower

### 5.7.1 Before Operation

#### **⚠ WARNING**

- Misuse or unauthorized use may result in personal injury and property damage.
  - Use the lawn mower only as described in this instruction manual.
- Minors should never be allowed to use this power tool. Bystanders, especially children, and animals should not be allowed in the area where it is in use. Accidents can occur if the operator is not alert to the presence of children. Children are often attracted to the machine and mowing activities. Never assume that children will remain where you last saw them. Keep children under the watchful eye of a responsible adult other than the operator. Use extra care when approaching blind corners, shrubs, trees or other objects that may block your view of a child.

- Using a lawn mower that is damaged, improperly adjusted or maintained, or not completely and securely assembled can lead to a malfunction and increase the risk of serious personal injury or death.
  - Never operate a lawn mower that is damaged, improperly maintained or not completely and securely assembled.
  - Always check your lawn mower for proper condition and operation before starting work, particularly the switch lever, switch lever lockout and make a visual inspection of the mowing blade.
  - Ensure that the switch lever and switch lever lockout move freely and always spring back to the locked position when released. The switch lever must not engage until the switch lever lockout is depressed.
  - Never attempt to modify or override the controls or safety devices in any way.
  - If your lawn mower or any part is damaged or does not function properly, take it to your authorized STIHL servicing dealer. Do not use the lawn mower until the problem has been corrected.
- Never use your mower with a damaged grass bag.
  - Inspect the grass bag frequently and replace with an authorized replacement if there are signs of wear or deterioration.
- Before inserting the battery:
  - Check the contacts in the battery compartment for corrosion or other foreign matter and keep clean.
  - Never insert or use a malfunctioning, damaged, cracked, leaking or deformed battery.
  - Read and follow the instructions on switching on the lawn mower,  15.1.
- To help reduce the risk of serious personal injury or death from unintentional starting:
  - Be sure the switch lever and switch lever lockout are in the off position when inserting the battery.
  - Avoid contacting the switch lever and switch lever lockout when grasping the handle of the lawn mower.

- Release the switch lever and switch lever lockout before removing the battery.



- Remove the fuse key and battery before assembling, transporting, adjusting, inspecting, cleaning, servicing, maintaining or storing the lawn mower and any time it is not in use.

- Never leave the lawn mower unattended when the battery is inserted.
- Never store the battery in the lawn mower.

- Before switching on your lawn mower, take the following steps to reduce the risk of personal injury from thrown objects, loss of control or inadvertent contact with the mowing blade:
  - Be sure that the mowing blade is clear of you and all other obstructions and objects, including the ground.
  - Read and follow the instructions on switching on the lawn mower, 15.1.

## DANGER

- To reduce risk of electrocution:



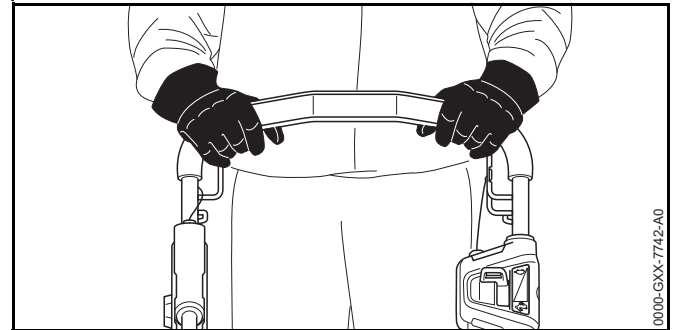
- Never operate this lawn mower in the vicinity of any wires or cables that may be carrying electric current.
- Do not rely on the lawn mower's insulation against electric shock.

### 5.7.2 Holding and Controlling the Lawn Mower

## WARNING

- To maintain a firm grip and properly control your lawn mower:
  - Operate the mower at walking pace at all times - never run.
  - Keep the handles clean and dry at all times. Keep them free of moisture, pitch, oil, grease and resin.

- Operating the lawn mower with one hand may lead to loss of control and is extremely dangerous. To reduce the risk of serious or fatal injury to the operator or bystanders from loss of control:
  - Never attempt to operate the lawn mower with one hand.



- To reduce the risk of serious or fatal injuries to the operator or bystanders from loss of control:
  - Always hold the lawn mower firmly with both hands when you are working.
  - Wrap your fingers tightly around the handle, keeping the handle, switch and self-propel lever cradled between your thumb and forefinger (see illustration).
  - Activate the self-propel feature after switching on the lawn mower.
  - Do not use the mower for transporting persons or objects.
  - Do not attach objects to the handle.
- To reduce the risk of serious or fatal injuries to the operator or bystanders from contact with the mowing blade:



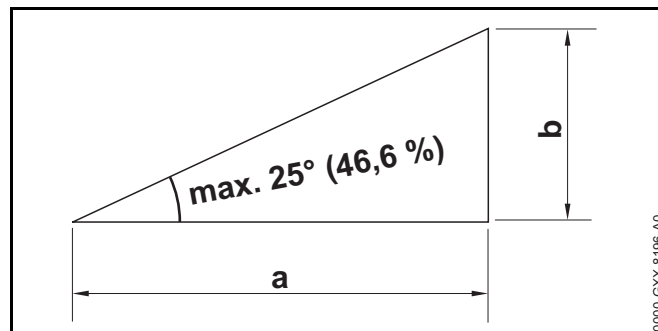
- Keep hands, feet and other body parts away from the mowing blade.
- Never touch a moving mowing blade with your hand or any other part of your body.



- Never attempt to clear clippings or debris from the mowing blade or discharge chutes without first switching off the lawn mower and removing the fuse key and battery.
- Do not touch the mowing blade while the battery and fuse key are inserted in the lawn mower.
- To reduce the risk of serious or fatal cut injuries to the operator or bystanders from loss of control, keep proper footing and balance at all times:
  - Never work with the lawn mower in the rain or in wet or very damp conditions.
  - Make sure you have good balance and a secure footing at all times.
  - Take special care in overgrown terrain and always watch for hidden obstacles such as tree stumps, roots, rocks, holes and ditches to avoid stumbling or falling.
  - Be extremely cautious when working on slopes or uneven ground.
  - For better footing, always clear away fallen branches, scrub, cuttings and other material, objects or vegetation that can increase the danger of slipping, tripping or falling.
  - Do not overreach.
- To reduce the risk of serious injuries to the operator or bystanders from loss of control:



- Do not mow near drop offs, ditches or embankments. You could lose your footing and balance.
- Be extremely cautious when working on slopes or uneven ground. Do not operate the lawn mower on excessively steep slopes. Slopes are a major factor related to slip and fall accidents, which in turn can result in severe injury.
- Operate this lawn mower only on slopes with gradients of up to 25°.
- Mow parallel to the slope, never up or down. Take particular care when changing direction on slopes.
- Do not pull the mower backwards unless absolutely necessary. Always look down and behind before and while mowing backwards.



25° slope gradient represents a vertical gradient of  $b = 18.3$  in. (46.6 cm) at  $a = 39.4$  in. (100 cm) horizontal length.

### 5.7.3 Working Conditions

## **▲ WARNING**

- Operate your lawn mower only under good visibility during favorable daylight conditions.
  - Postpone the work if the weather is windy, foggy, rainy or inclement.
  - Never operate the mower in wet grass. Do not mow wet grass.
  - Do not operate the mower when there is a risk of lightning strike.
- Your lawn mower is a one-person machine.
  - Bystanders, especially children, and animals should not be allowed in the area where it is in use.
  - Switch it off immediately if you are approached.
- To reduce the risk of injury to bystanders and unauthorized users:
  - Never leave the lawn mower unattended when the fuse key and battery are inserted.
  - Switch off the lawn mower and remove the fuse key and battery during work breaks and any other time the lawn mower is not in use.
- The drive motor is not waterproof.
  - Never work with the lawn mower in the rain or in wet or very damp locations.
- Sparks generated from operation of the lawn mower, may be capable of igniting combustible gases, liquids, vapors, dusts or other combustible materials and substances. To reduce the risk of fire and explosion:
  - Never operate the lawn mower in a location where combustible gases, liquids, vapors, dusts or other combustible materials and substances are present.
  - Read and follow recommendations issued by government authorities (e.g., OSHA) for identifying and avoiding the hazards of combustible gases, liquids, vapors, dusts or other combustible materials and substances.
- If a rotating metal blade strikes a rock or other hard object, sparks may be created, which can ignite flammable materials under certain circumstances. Flammable materials can include dry vegetation and brush, particularly when weather conditions are hot and dry.
  - When there is a risk of fire or wildfire, do not use the lawn mower around flammable materials or around dry vegetation or brush.
  - Contact your local fire authorities or the U.S. Forest Service if you have any question about whether vegetation and weather conditions are suitable for the use of a metal blade.
- Use of this lawn mower can generate dust and other substances containing chemicals known to cause respiratory problems, cancer, birth defects and other reproductive harm.
  - Consult governmental agencies such as EPA, OSHA, CARB and NIOSH and other authoritative sources on hazardous materials if you are unfamiliar with the risks associated with the particular substances you are cutting or with which you are working.
- Inhalation of certain dusts, especially organic dusts such as mold or pollen, can cause susceptible persons to have an allergic or asthmatic reaction. Substantial or repeated inhalation of dust or other airborne contaminants, especially those with a smaller particle size, may cause respiratory or other illnesses.
  - Control dust at the source where possible.
  - To the extent possible, operate the lawn mower so that the wind or operating process directs any dust, mist or other particulate matter raised by the lawn mower away from the operator.
  - When respirable dust or other particulate matter cannot be kept at or near background levels, always wear a respirator that is approved by NIOSH and rated for worksite-specific conditions. Follow the recommendations of governmental authorities (e.g., OSHA/NIOSH) and occupational and trade associations.

- If the vegetation being cut or the surrounding ground is coated with a chemical substance, such as a pesticide, fertilizer or herbicide:
  - Read and follow the instructions and warnings that accompanied the substance coating the vegetation or surrounding ground.

#### 5.7.4 Operating Instructions

### **⚠ WARNING**

- In the event of an emergency, switch off the motor immediately and remove the fuse key and battery.
- The mowing blade continues to rotate for a short period after the switch lever is fully released. This is known as the "flywheel effect." To reduce the risk of serious personal injury from contact with the mowing blade:
  - Wait for the mowing blade to stop before lifting or carrying the lawn mower.
- The mower deck of your lawn mower will not protect the operator from all foreign objects (gravel, glass, wire, etc.) thrown back by the rotating cutting blade. Thrown objects may also ricochet and strike the operator, bystanders or property.
  - Avoid discharging material against a wall or obstruction.
- The rotating mowing blade may fling foreign objects directly or by ricochet a great distance. Thrown objects, including broken mowing blades, may cause serious or fatal injury to the operator or bystanders. To reduce the risk of severe personal injury:



- Inspect the work area. Remove stones, glass, rocks, pieces of metal or other objects that could be thrown by the mowing blade, damage the mowing blade or cause personal injury or damage to property (e.g., parked vehicles, windows).



- Always wear proper eye protection and keep bystanders at least 50 ft. (15 m) away from the work area. Any persons who must enter the restricted area must also wear proper eye protection.
- Stay behind the handle when the motor is running or the cutting blade is turning.
- To reduce the risk of damage to property, also maintain this distance from such objects as vehicles and windows.
- Maintaining a minimum distance of 50 ft. (15 m) cannot eliminate the potential risk of personal injury and property damage from thrown objects.
- Switch off the motor immediately if you are approached while working with the lawn mower.
- Never direct discharged material toward anyone.
- Never operate the lawn mower without the grass bag or rear discharge cover in place and working. Make sure all safety devices are in place before starting work.
- Never operate the mower without the side discharge cover closed or the side discharge guide in place.
- To reduce the risk of severe personal injuries from unintentional starting:



- Do not put hands or feet near or under the machine. Keep clear of the discharge opening at all times.



- Never touch the mowing blade with your hand, feet or any other part of your body while the fuse key and battery are inserted, even if the mowing blade is not moving. Keep bystanders at least 50 ft. (15 m) away.





- If the mowing blade or discharge chutes become dirty, clogged or stuck, always switch off the motor, make sure the mowing blade has stopped and remove the fuse key and battery before inspecting the mowing blade. Clean dirt, grass, weeds and other material from the mowing blade and discharge chutes at regular intervals, but only after removing the fuse key and battery.
- To reduce the risk of thermal overload to the motor and damage to the mower:
  - Do not switch on the mower in high grass.
  - Do not overload your lawn mower during operation with very tall or thick grass to a point where the motor slows down. If the motor sounds distressed or begins to slow due to the height of the grass or amount of grass being cut, raise the mowing blade or slow down.
  - Do not switch on and off the mower frequently within a short period.
- A damaged or loose mowing blade may vibrate, crack, break or come off the lawn mower, which may result in serious or fatal injury.
  - Before starting work, examine the blade. If the blade is damaged or cracked, replace it immediately. If the blade edge is dull or nicked, have it sharpened and balanced or replace it.
  - If the mowing blade loosens after being properly tightened, stop work immediately and have the lawn mower repaired by your authorized STIHL iMow servicing dealer.
  - Never use a lawn mower with a loose or damaged mowing blade.

## DANGER

- To reduce risk of electrocution:



- Never operate this lawn mower in the vicinity of any wires or cables that may be carrying electric current.
- Do not rely on the lawn mower's insulation against electric shock.

## 6 Battery Safety

### 6.1 Warnings and Instructions

#### WARNING

- Use of unauthorized batteries can damage the lawn mower and result in fire, explosion and personal injury and property damage.
  - Use only genuine STIHL AK series batteries.
- Use of STIHL AK series batteries for any purpose other than powering STIHL power tools could be extremely dangerous.
  - Use STIHL AK series batteries only to power compatible STIHL power tools.
- Use of unauthorized chargers can damage the battery and result in fire, explosion and personal injury and property damage.
  - Use only genuine STIHL AL 101, AL 300 or AL 500 series chargers to charge STIHL AK series batteries.
- The battery contains safety features and devices which, if damaged, may allow the battery to generate heat, rupture, leak, ignite or explode.
  - Never heat the battery above 212 °F (100 °C).
  - Never incinerate or place the battery on or near fires, stoves or other high-temperature locations.
- Never use or charge a malfunctioning, damaged, cracked, leaking or deformed battery.



- Never open, disassemble, crush, drop, subject to heavy impact or otherwise damage the battery.
  - Never expose the battery to microwaves or high pressures.
  - Never insert objects into the battery's cooling slots.
- Extreme temperatures may cause the battery to generate heat, rupture, leak, ignite or explode, resulting in severe or fatal personal injury and property damage. Exposure to temperatures outside the recommended temperature range may also reduce battery life and performance.



- Use and store the battery only within an ambient temperature range of 14 °F to 122 °F (-10 °C to 50 °C).
  - Never store the battery in direct sunlight or inside a vehicle in hot weather.
- To reduce the risk of personal injury and property damage in the event the battery emits smoke, an unusual smell or feels unusually hot while using, charging or storing:
- Immediately discontinue using or charging the battery. Contact the authorities in the event of fire or explosion.
- To reduce the risk of a short circuit, which could lead to electric shock, fire and explosion:



- Keep the battery dry. Protect it from rain, water, liquids and damp conditions.
- Never immerse the battery in water or other liquids.
- Never bridge the battery terminals with wires or other metallic objects.
- Keep a battery that is not in use away from metal objects (e.g., paper clips, nails, coins, keys).
- Never transport or store the battery in a metal container.
- Store the battery indoors in a dry room.
- Never store the battery in damp or corrosive environments or in conditions that could lead to corrosion of its metal components.

- Never store the battery in the lawn mower or charger.
  - Protect the battery from exposure to corrosive agents such as garden chemicals and de-icing salts.
  - Protect the battery from exposure to conductive liquids such as salt water.
  - Do not attempt to repair, open or disassemble the battery. There are no user-serviceable parts inside.
- Leaking battery fluid is potentially harmful and can cause skin and eye irritation, chemical burns and other serious personal injury.
- Avoid contact with skin and eyes.
  - Use an inert absorbent such as sand on spilled battery fluid.
  - In the event of accidental contact, immediately rinse the contact area thoroughly with mild soap and water.
  - If fluid gets into your eye(s): Do not rub. Rinse water over the open eye(s) for at least 15 minutes and seek medical attention.
- A battery fire can be dangerous. To reduce the risk of severe personal injury and property damage in the event of fire:
- Evacuate the area. Fire can spread rapidly. Stay clear of any vapors generated and maintain a safe distance.
  - Contact the fire department.
  - Although water can be used to put out a battery fire, use of a multi-purpose dry chemical fire extinguisher is preferable.
  - Consult the fire department regarding proper disposal of a burned battery.
- Dropping the battery could result in personal injury or property damage. To prevent the battery from falling during removal:
- Place the lawn mower on a level surface.
  - Use care when ejecting the battery.

## 7 Maintenance, Repair and Storage

### 7.1 Warnings and Instructions

#### **⚠** WARNING

- There are no user-authorized repairs for the battery or lawn mower. To reduce the risk of fire, electric shock or other personal injury and property damage:
  - Users may carry out only the cleaning and maintenance operations described in this manual.
  - Strictly follow the cleaning and maintenance instructions in the appropriate sections of this instruction manual.
  - Never attempt to repair a damaged or broken mowing blade. This may cause broken parts to come off and result in serious or fatal injuries.
  - Wear non-slip, heavy-duty work gloves when handling mowing blades.
  - STIHL recommends that all repair work be performed by authorized STIHL servicing dealers.
  - Maintain and replace warning and instruction labels as necessary.
- Unintentional starting may result in personal injury or property damage. To reduce the risk of personal injury and property damage from unintentional starting:
  - Remove the fuse key and battery before inspecting the lawn mower or carrying out any cleaning, maintenance or repair work, before storing, and any other time it is not in use.
- The mowing blade is the only user-serviceable part on the lawn mower.
  - Wear heavy-duty, non-slip work gloves made of leather or another wear resistant material when handling the mowing blade.
  - Replace the mowing blade when it becomes worn or damaged.



- Tighten all nuts, bolts and screws after replacing the mowing blade.
- Use of parts that are not authorized or approved by STIHL may cause serious or fatal injury or property damage.
  - STIHL recommends that only identical STIHL replacement parts be used for repair or maintenance.
- Improper storage can result in unauthorized use, damage to the lawn mower and an increased risk of fire, electric shock and other personal injury or property damage.
  - Remove the fuse key and battery from the lawn mower before storing.
  - Never store the lawn mower with the fuse key or battery inserted.
  - Store the lawn mower indoors in a dry, secure place that cannot be accessed by children or other unauthorized users.

## 8 Before Starting Work

### 8.1 Preparing the Lawn Mower for Operation




Before starting work:

- ▶ Fully charge the battery, 9.2.
- ▶ Mount the handle, 11.1.
- ▶ Unfold and adjust the handle, 12.1.
- ▶ Adjust the cutting height, 18.1.
- ▶ Check the controls for proper function and condition, 17.1.




#### **For mowing and collecting the grass cuttings in the grass bag:**

- ▶ Remove the side discharge guide, 11.4.2.
- ▶ Remove the mulch insert, 11.3.2.
- ▶ Attach the grass bag, 11.2.1.

**For mowing and discharging the grass cuttings sideways:**

- ▶ Remove the mulch insert,  11.3.2.
- ▶ Remove the grass bag,  11.2.2.
- ▶ Attach the side discharge guide,  11.4.1.

**For mulching:**

- ▶ Remove the side discharge guide,  11.4.2.
- ▶ Remove the grass bag,  11.2.2.
- ▶ Mount the mulch insert,  11.3.1.

## 9 Charging the Battery

### 9.1 Setting up the Charger

#### WARNING

Read and follow the safety precautions on the battery and charger and all warnings and instructions that accompany those products. To reduce the risk of short circuit, which could lead to electric shock, fire and explosion, make sure the charger and its components are dry and not damaged; operate the charger indoors at an appropriate ambient temperature.

#### WARNING

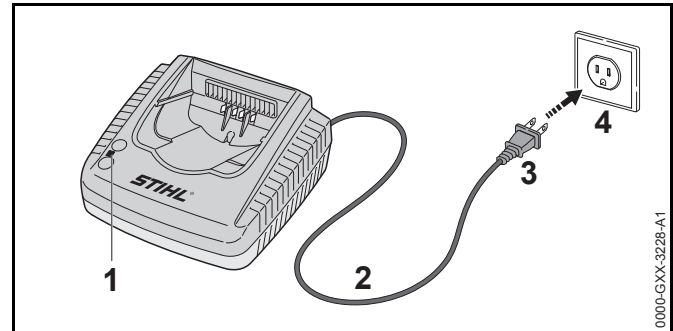
A typical household electric circuit is between 15 and 20 amps. A single STIHL AL 500 charger draws approximately 4.8 amps. A single AL 300 charger draws approximately 4.4 amps. To reduce the risk of fire from overloading an electrical circuit:

- ▶ Ensure the electrical system is rated to withstand the expected electrical draw before charging your battery.
- ▶ Charge multiple batteries one at a time or on separate circuits, unless you know your circuit can handle the total expected draw from multiple chargers.

#### WARNING

Since the charger heats up during the charging process, do not operate the charger on a combustible surface or in a location where combustible gases, liquids, vapors, dusts or other materials and substances are present.

To set up the charger:



- ▶ Insert the plug (3) into a properly installed electrical outlet (4) matching the voltage and electrical frequency stated on the rating plate on the charger.


The charger runs a self-test immediately after it is plugged in. The charger LED (1) will glow green for about 1 second, then it will glow red briefly before going out. Once the LED goes out, the self-test is complete and the charger is ready to charge the battery.

- ▶ Position the power supply cord (2) so that it will not be stepped on, tripped over, come in contact with sharp objects or moving parts or otherwise be subjected to damage or stress.

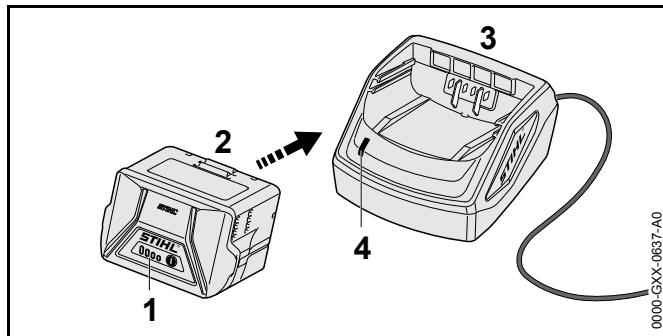
### 9.2 Charging

#### WARNING

STIHL batteries contain safety features and devices which, if damaged, may allow the battery to generate heat, rupture, leak, ignite or explode. Never charge a malfunctioning, damaged, cracked, leaking or deformed battery. For indoor

use only. Keep the charger dry. Protect it from rain, water, liquids and damp conditions. Never insert a wet battery. Never use a wet charger,  6.

To charge the battery:



- ▶ Push the battery (2) into the charger (3) until it stops. The LED on the charger (4) glows green when the battery is charging.

The LEDs (1) on the battery glow green and show the state of charge.

When the LEDs on the battery turn off, the charging process is complete and the charger will shut itself off. The battery can be removed from the charger.

- ▶ Disconnect the power supply cord from the electrical outlet when the charger is not in use.

A battery is not fully charged when it ships from the factory. STIHL recommends that you fully charge the battery before using it the first time.

Operate the charger only indoors, in dry rooms and within an ambient temperature range of 41 °F to 104 °F (5 °C to 40 °C).

The battery heats up during operation of the lawn mower. If a hot battery is inserted into the charger, it may be necessary for it to cool down before charging starts. The charging process begins only after the battery has cooled down sufficiently.

Charging time depends on a number of factors, including battery condition and the ambient temperature. For a complete list of approximate charging times, see [www.stihl.com/charging-times](http://www.stihl.com/charging-times).

## 10 LED Diagnostics

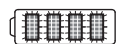
### 10.1 LEDs on the Battery

#### 10.1.1 Battery Status

Four LEDs show the status of the battery. These LEDs can glow or flash green or red.



**If one LED glows red continuously:** the battery is either too hot or too cold. Allow the battery to warm up or cool down gradually at an ambient temperature of about 50 °F to 68 °F (10 °C to 20 °C).




**If all 4 LEDs flash red:** the battery has a malfunction and must be replaced. Do not attempt to charge, use or store the battery.

#### 10.1.2 Lawn Mower Status

When the battery is inserted in the lawn mower, the same LEDs on the battery will indicate the status of the lawn mower.

**If three LEDs glow red continuously:** the lawn mower motor is too hot. Allow the motor to cool down.

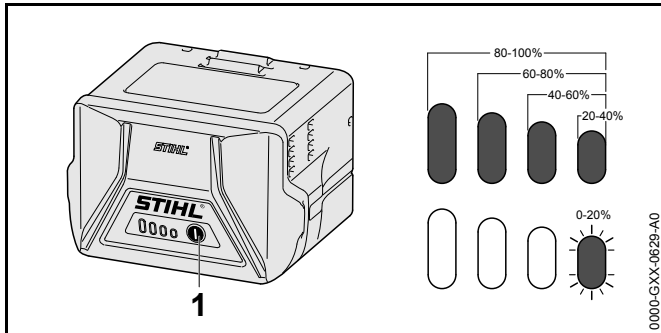
**If three LEDs flash red when you activate the trigger switch:** the lawn mower has an electrical malfunction. Do not operate the lawn mower. Have it checked by an authorized STIHL servicing dealer before use or storage.

For troubleshooting information,  24.

#### 10.1.3 Charge Status

The LEDs on the battery also show the battery's state of charge.

To determine the battery's state of charge:



- ▶ Press the button (1) on the battery. The LEDs on the battery will glow or flash green for about 5 seconds and indicate the state of charge (see illustration).

For example:

If four green LEDs glow continuously: full charge.

If one green LED is flashing: less than 20 % charge.

## 11 Assembling the Lawn Mower

### 11.1 Mounting the Handle

#### **!** WARNING

Make sure the fuse key and battery are removed before starting assembly.

#### **!** WARNING

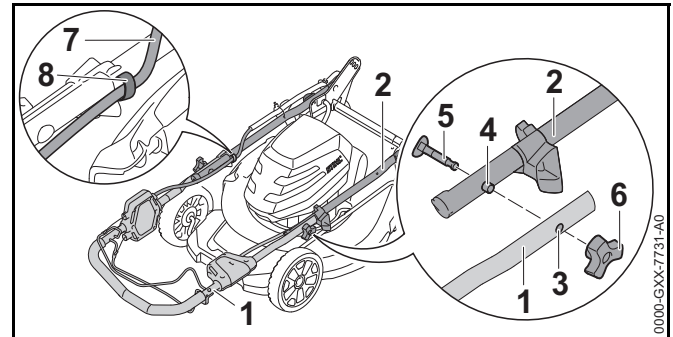
To reduce the risk of injury from loss of control, ensure that the handle is properly and securely mounted before starting work. The lower handle and upper handle can be folded down after rotating the handle knobs. Check that the star knobs are firmly tightened. Hold the handle at the highest point with one hand and rotate the handle knobs. Use caution and avoid pinching fingers between the parts.

#### **!** WARNING

To reduce the risk of pinching fingers between the parts, hold the handle at the highest point with one hand when loosening the star knobs.

To mount the handle:

- ▶ Switch off the lawn mower, 15.2.
- ▶ Remove the fuse key and battery, 13.2 and 14.2.
- ▶ Position the lawn mower on a level surface.



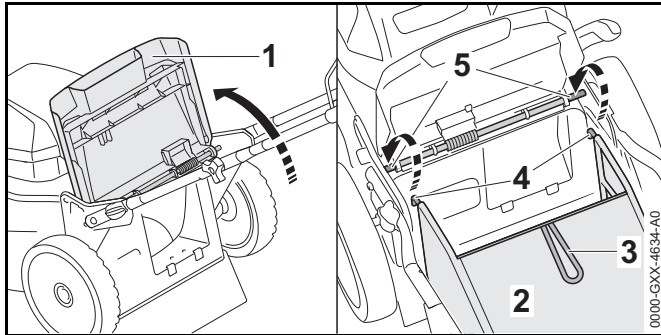
- ▶ Align the upper part (1) and lower part (2) of the handle so that the pin (4) engages into the bore (3) on both sides.
- ▶ Insert the screw (5) and align it so that the screw head is flush with the lower part of the handle on both sides.
- ▶ Screw on the star knob nut (6).
- ▶ Press the cable (7) into the holder (8) on both sides.

### 11.2 Mounting and Removing the Grass Bag

#### 11.2.1 Mounting the Grass Bag

To mount the grass bag:

- ▶ Switch off the lawn mower and wait for the cutting blade to come to a complete stop, 15.2.
- ▶ Position the lawn mower on a level surface.
- ▶ If the side discharge cover is still mounted, remove it.
- ▶ If the mulch insert plug is still mounted, remove it.



- ▶ Open the rear discharge cover (1) and hold it in position.
- ▶ Hold grass bag (2) by its handle (3) and engage the hooks (4) on the rod (5).
- ▶ Close the rear discharge cover.

### 11.2.2 Removing the Grass Bag

To remove the grass bag:

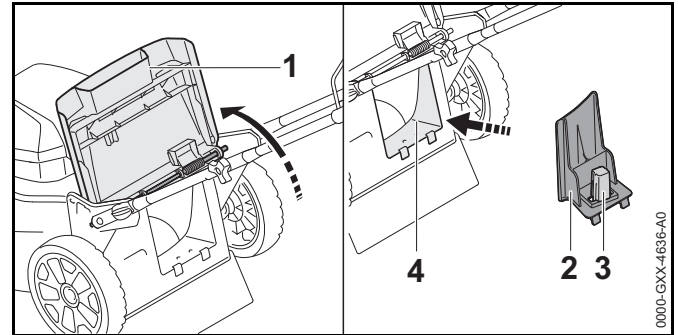
- ▶ Switch off the lawn mower and wait for the cutting blade to come to a complete stop, 15.2.
- ▶ Position the lawn mower on a level surface.
- ▶ Open the rear discharge cover and hold it in position.
- ▶ Hold grass bag by its handle and unhook it upwards.
- ▶ Close the rear discharge cover.

## 11.3 Inserting and Removing the Mulch Insert

### 11.3.1 Installing the Mulch Insert

To install the mulch insert:

- ▶ Switch off the lawn mower, 15.2.
- ▶ Remove the fuse key and battery, 13.2 and 14.2.
- ▶ Position the lawn mower on a level surface.



- ▶ Open the rear discharge cover (1) and hold it in position.
- ▶ Hold the mulch insert (2) by the handle (3) and fit it securely in the rear discharge chute (4).
- ▶ Close the rear discharge cover.

### 11.3.2 Removing the Mulch Insert

To remove the mulch insert:

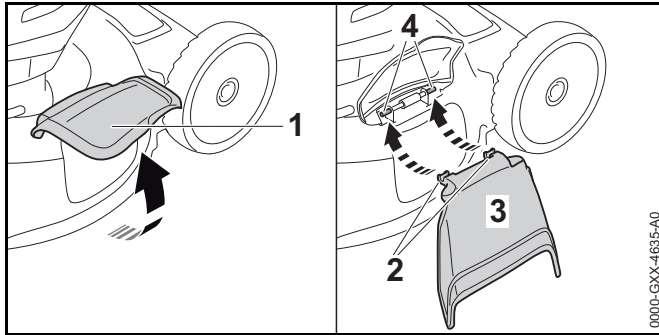
- ▶ Switch off the lawn mower, 15.2.
- ▶ Remove the fuse key and battery, 13.2 and 14.2.
- ▶ Position the lawn mower on a level surface.
- ▶ Open the rear discharge cover and hold it in position.
- ▶ Grip the mulch insert by the handle and take it out of the rear discharge chute.
- ▶ Close the rear discharge cover.

## 11.4 Mounting and Removing the Side Discharge Guide

### 11.4.1 Installing the Side Discharge Guide

To install the side discharge guide:

- ▶ Switch off the lawn mower, 15.2.
- ▶ Remove the fuse key and battery, 13.2 and 14.2.
- ▶ Position the lawn mower on a level surface.



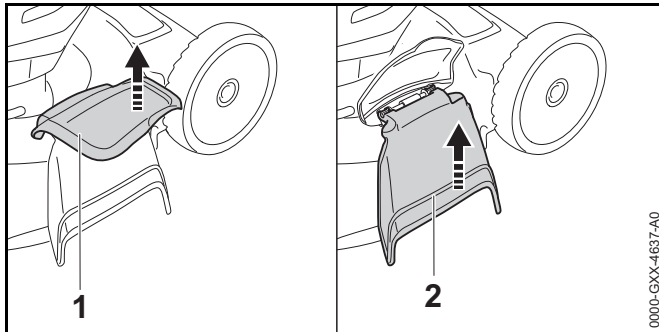
- ▶ Open the side discharge cover (1) and hold it in position.
- ▶ Line up the recesses (2) in the side discharge guide (3) below the pins (4).
- ▶ Close the side discharge cover.

The mulch insert must be mounted when the side discharge guide is installed.

#### 11.4.2 Removing the Side Discharge Guide

To remove the side discharge guide:

- ▶ Switch off the lawn mower, 15.2.
- ▶ Remove the fuse key and battery, 13.2 and 14.2.
- ▶ Position the lawn mower on a level surface.



- ▶ Open the side discharge cover (1) and hold it in position.
- ▶ Unhook the side discharge guide (2) upwards.
- ▶ Close the side discharge cover.

## 12 Adjusting the Lawn Mower

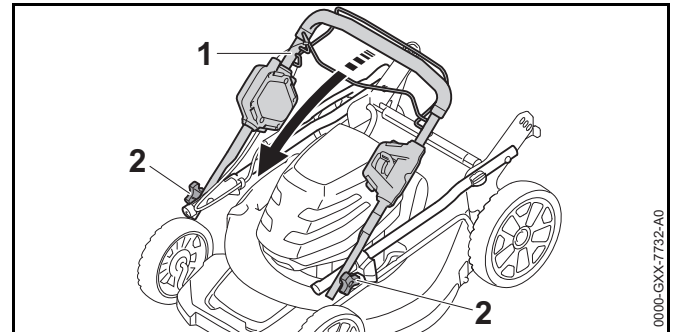
### 12.1 Unfolding and Adjusting the Handle

#### WARNING

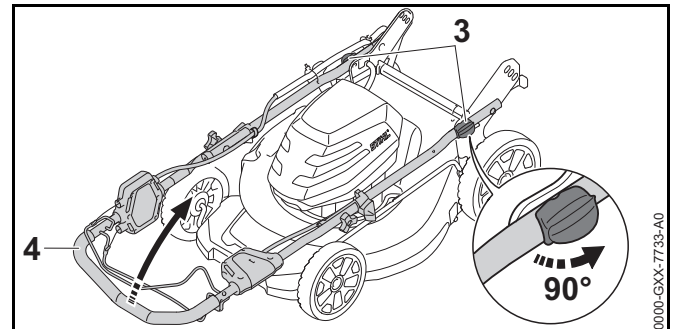
Be sure not to pinch, kink or stress the control cables when folding or unfolding the handle. Damaging the cable could impact the activation and operation of the lawn mower and result in an unsafe operating condition.

To unfold the handle:

- ▶ Switch off the lawn mower, 15.2.
- ▶ Remove the fuse key and battery, 13.2 and 14.2.
- ▶ Position the lawn mower on a level surface.



- ▶ Unfold the upper part of the handlebar (1).
- ▶ Tighten down the knobs (2).

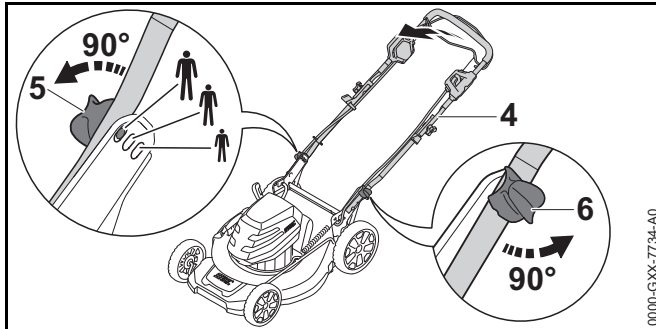




- ▶ Rotate the handle knobs (3) 90°.
- ▶ Fully unfold the handle (4).

The handle can be adjusted to suit the height and reach of the operator.

To adjust the handle:



- ▶ Align the handle (4) so that the bolts of the levers (5 and 6) are in alignment with the desired position.
- ▶ Turn both handle knobs 90°. The bolts of both handle knobs engage in the holes at the same position.

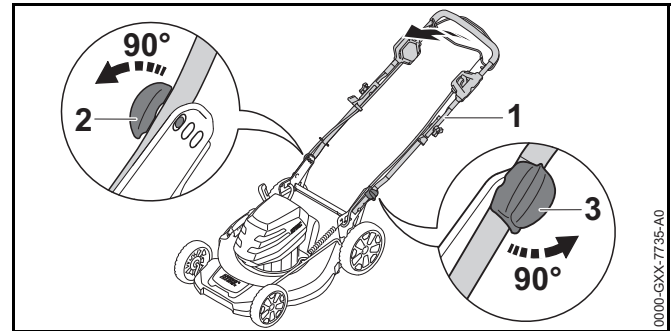
## 12.2 Folding the Handle

### **!** WARNING

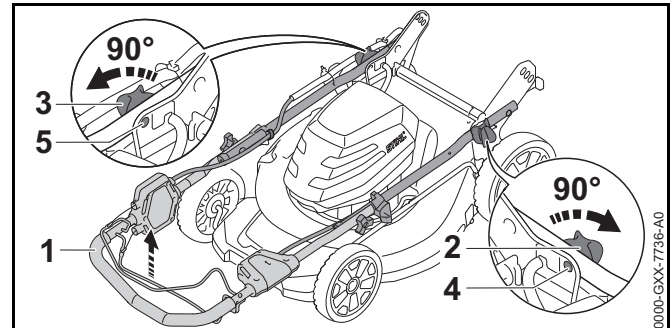
Be sure not to pinch, kink or stress the control cables when folding or unfolding the handle. Damaging the cable could impact the activation and operation of the lawn mower and result in an unsafe operating condition.

To fold the handle:

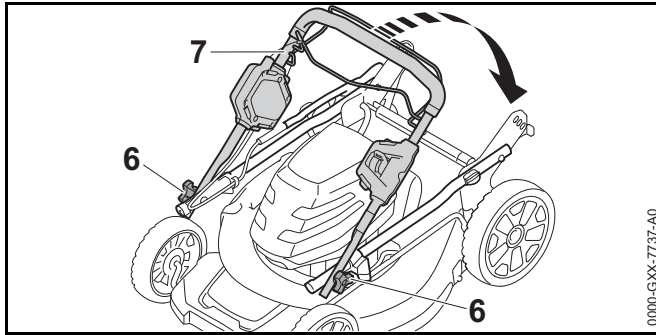
- ▶ Switch off the lawn mower, 15.2.
- ▶ Remove the fuse key and battery, 13.2 and 14.2.
- ▶ Position the lawn mower on a level surface.



- ▶ Hold the handle (1) and turn both handle knobs (2) 90° one after the other.
- ▶ Fold the handle. Make sure not to pinch any cable when folding the handle.



- ▶ Turn both handle knobs (2) 90°.
- ▶ Press the handle (1) upwards until the bolts (4 and 5) of the handle knobs (2 and 3) engage and the handle is securely fixed.



- ▶ Loosen the knobs (6).
- ▶ Fold the upper part (7) of the handle. Make sure not to pinch any cable when folding the upper part of the handle.

### NOTICE

Be sure not to pinch, kink or stress the control cables when folding or unfolding the handle. Damaging the cable could impact the activation and operation of the lawn mower.

## 13 Inserting and Removing the Fuse Key

### 13.1 Inserting the Fuse Key

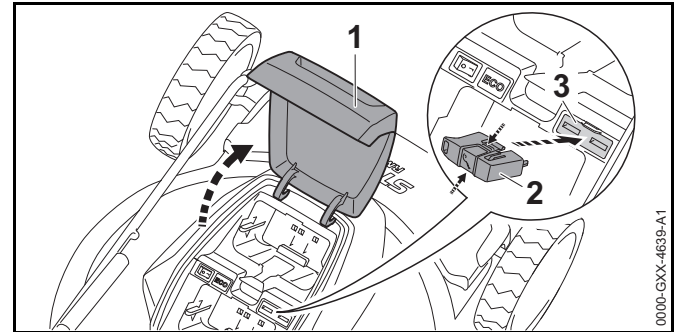
#### WARNING

To reduce the risk of severe personal injury from unintended activation, never store the fuse key in the lawn mower.

The motor can be started only when the fuse key is inserted.

To insert the fuse key:

- ▶ Place the lawn mower on a level surface.




- ▶ Lift the battery compartment cover (1) and hold it.
- ▶ Squeeze the fuse key (2) and insert the fuse key into the fuse key socket (3) with even, steady pressure until it stops. Inserting the fuse key enables the flow of electrical power from the battery to the motor.
- ▶ Close the battery compartment cover.

### 13.2 Removing the Fuse Key

#### WARNING

To reduce the risk of severe personal injury from unintended activation, always remove the fuse key and battery before assembling, transporting, adjusting, cleaning, servicing, maintaining or storing the lawn mower and any other time it is not in use.



To remove the fuse key:

- ▶ Switch off the lawn mower,  15.2.
- ▶ Place the lawn mower on a level surface.
- ▶ Lift the battery compartment cover and hold it.
- ▶ Remove the fuse key with even, steady pressure.
- ▶ Close the battery compartment cover.
- ▶ Store the fuse key away from the lawn mower in a safe place that is inaccessible to children and other unauthorized users.

## 14 Inserting and Removing the Battery

### 14.1 Inserting the Battery

#### **⚠ WARNING**

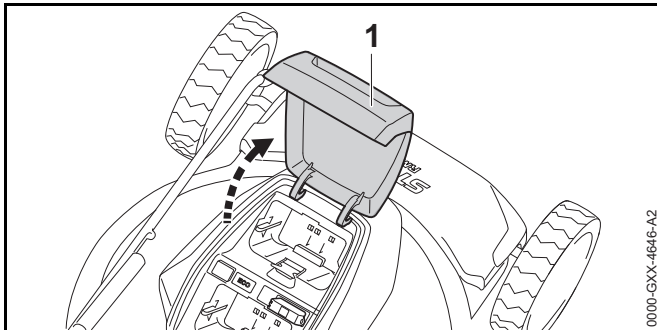
Never use a malfunctioning, damaged, cracked, leaking or deformed battery,  6. Use and store the battery only within an ambient temperature range of 14 °F to 122 °F (- 10 °C to 50 °C),  6.

#### **⚠ WARNING**

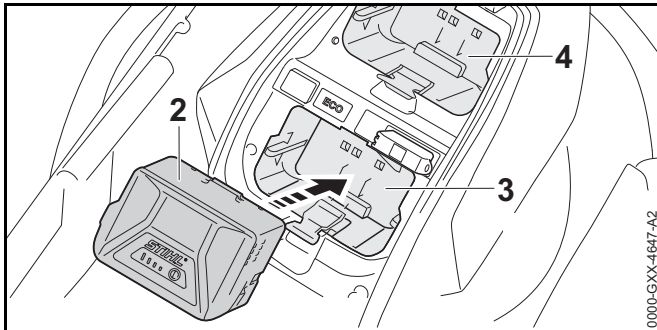
To reduce the risk of unintended activation, never store the battery in the lawn mower,  21.2.

To insert the battery:

- ▶ Place the lawn mower on a level surface.




- ▶ Lift the battery compartment cover (1) and hold it.



- ▶ Insert the battery (2) into the battery compartment (3) until it stops.

The battery is properly inserted when you hear a audible click and the battery is flush with the top of the battery housing. In this position, there is electrical contact between the battery and the lawn mower.

- ▶ If a spare battery is to be carried, insert the spare battery into the spare battery compartment (4).
- ▶ Close the battery compartment cover.

Since a new battery is not fully charged, STIHL recommends that you fully charge the battery before using it the first time,  9.2.

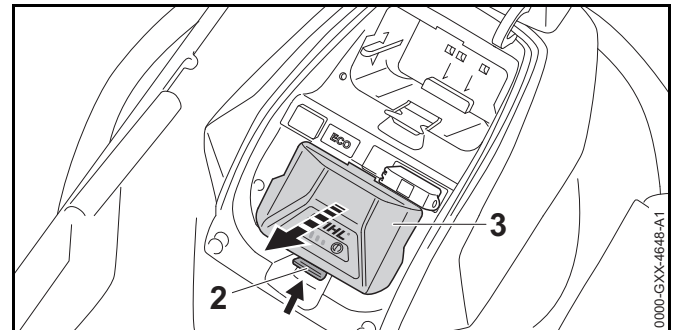
### 14.2 Removing the Battery

#### **⚠ WARNING**

To reduce the risk of severe personal injury from unintended activation, always remove the fuse key and battery before assembling, transporting, adjusting, cleaning, servicing, maintaining or storing the lawn mower and any other time it is not in use.

To remove the battery:

- ▶ Place the lawn mower on a level surface.
- ▶ Lift the battery compartment cover and hold it.



- ▶ Press down on the locking lever (2) to eject the battery (3) from the battery compartment.
- ▶ Close the battery compartment cover.


**NOTICE**

Avoid exposing the battery to excessive heat or prolonged periods of direct sunlight. Use or storage outside the recommended ambient temperature range can reduce the performance and/or service life of the battery.




## 15 Switching the Lawn Mower On and Off

### 15.1 Switching On

#### **⚠ WARNING**

To reduce the risk of serious or fatal injuries to the operator or bystanders, keep hands, feet and other parts of the body away from the mowing blade,  5.7.2. Do not touch the mowing blade while the fuse key or battery is inserted.

#### **⚠ WARNING**

Never operate your lawn mower if it is damaged, improperly adjusted or maintained, not completely and securely assembled or not functioning properly,  5.6. To reduce the risk of personal injury, always wear proper clothing and protective apparel, including proper eye protection,  5.5. To reduce the risk of serious or fatal injury from loss of control, always hold the lawn mower with both hands when you are working,  5.7.2.

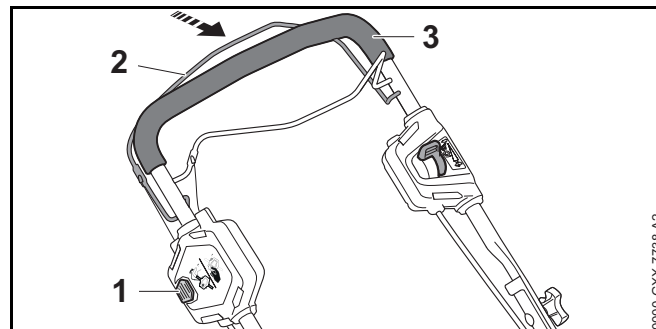
**NOTICE**

To reduce the risk of thermal overload to the motor and damage to the mower, do not switch on the mower in high grass.

Before switching on:

- ▶ Make sure you have a secure and firm footing.
- ▶ Stand upright.
- ▶ Always hold and operate the lawn mower with two hands.

To switch the lawn mower on:



- ▶ Press in the switch lever lockout (1) with your right hand and hold it there.
- ▶ Pull the switch lever (2) towards the handle (3) with your left hand and hold it. The mowing blade will start moving.
- ▶ Release the switch lever lockout.

The motor will not switch on unless the switch lever lockout is pressed and the switch lever is pulled at the same time.

### 15.2 Switching Off

#### **⚠ WARNING**

The mowing blade will continue to move for a short while after the switch lever is released. To avoid serious or fatal injury, avoid contact with the moving mowing blade. To reduce the risk of personal injury from unintended activation or unauthorized use, switch off the motor, ensure the mowing blade has stopped and remove the fuse key and battery before transporting the unit.

To switch the lawn mower off:



- ▶ Release the switch lever.

The mowing blade will continue to move for a short time after the switch lever is released. Take care to avoid contact after releasing the switch lever and when setting down the lawn mower.

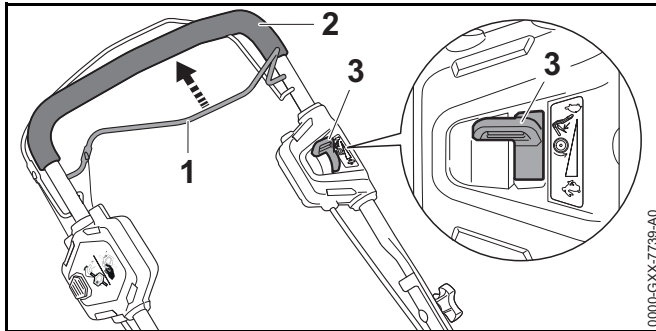
## 16 Activating and Deactivating Drive System

### 16.1 Activating Drive System

Self-propel speed of the lawn mower can be continuously adjusted from 0.6 mph to 2.8 mph (1 km/h to 4.5 km/h).

If the speed lever is set to the  position, the lawnmower moves at the highest speed. If the speed lever is set to the  position, the lawnmower moves at the lowest speed.

To activate drive system:



- ▶ Pull the self-propel lever (1) completely in the direction of the handle (2) and hold it. The lawn mower will start moving forward.
- ▶ Set the speed lever (3) to the slowest setting and then adjust the self-propel speed to reach the desired pace.

Generally, battery life will be shorter when operating continuously at the higher speed levels.

### 16.2 Deactivating Drive System

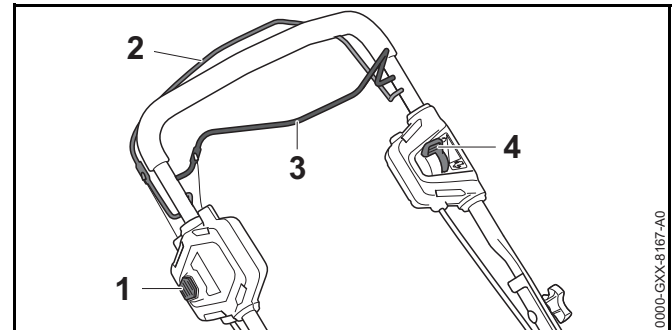
To deactivate drive system:

- ▶ Release the self-propel lever.
- ▶ Wait until the mower stops moving.

## 17 Checking the Lawn Mower

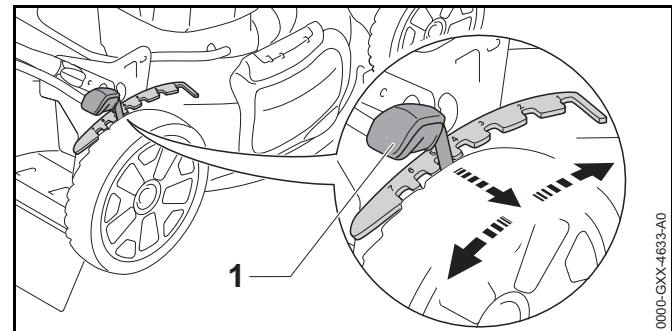
### 17.1 Testing the Controls

Before starting work, confirm that the switch lever lockout (1), switch lever (3), self-propel lever (2) and speed lever (4) are undamaged and functioning properly.



## 18 During Operation

### 18.1 Adjusting the Cutting Height



To adjust the cutting height:

- ▶ Pull the cutting height adjustment lever (1) out of the recess and set it to the selected position. A marking indicates the selected cutting height.

8 different cutting heights can be selected:

- Position 1: 0.98 in. (25 mm)
- Position 2: 1.34 in. (34 mm)
- Position 3: 1.73 in. (44mm)
- Position 4: 2.13 in. (54 mm)
- Position 5: 2.52 in. (64 mm)
- Position 6: 3.0 in. (76 mm)
- Position 7: 3.46 in. (88 mm)
- Position 8: 3,94 in. (100 mm)

### **NOTICE**

To reduce the risk of damaging the lawn mower, never attempt to lift, carry or transport the lawn mower by the cutting height adjustment lever.

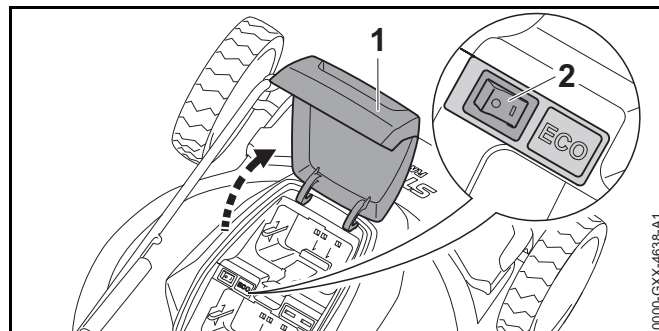
### **NOTICE**

To avoid overloading the motor, avoid setting the cutting height too low in tall grass. If the motor speed begins to slow, raise the cutting height.

## **18.2 Activating ECO Mode**

When the ECO mode is selected, the mower operates at a lower RPM for situations requiring less power. This increases energy efficiency and battery runtime.

To activate ECO mode:



- ▶ Lift the battery compartment cover (1) and hold it.
- ▶ Set the ECO switch (2) to position I.
- ▶ Close the battery compartment cover.

To deactivate ECO mode:

- ▶ Lift the battery compartment cover and hold it.
- ▶ Set the ECO switch to position 0.
- ▶ Close the battery compartment cover.

## **18.3 Mowing and Mulching**

### **⚠ WARNING**

To reduce the risk of serious or fatal injuries to the operator or bystanders, keep hands, feet and other parts of the body away from the mowing blade, 5.7.2. Do not touch the mowing blade while the fuse key and battery are inserted. Never touch the moving mowing blade with your hand or any part of your body, 5.7.4.

### **⚠ WARNING**

Always wear proper clothing and protective apparel, including proper eye protection, when operating your lawn mower, 5.5. Keep bystanders at least 50 ft. (15 m) away from the work area, 5.7.4. Work carefully and maintain proper control of the lawn mower, 5.7.2.



- ▶ If using the drive system, drive the lawn mower forward in a controlled manner, keeping two hands on the unit at all times.
- ▶ If not using the drive system, push the lawn mower forward slowly, keeping two hands on the unit at all times.

Observe all applicable laws, regulations, standards and ordinances.

### Mulching

In the mulching mode, the grass clippings are recirculated in the air-stream, re-cut several times into small particles and then blown back onto the lawn. The fine particles remain on the lawn surface where they decompose quickly and serve as a natural fertilizer. Frequent mulching contributes to a beautiful, dense lawn. One third of the grass height should be cut in this process.

For effective mulching, STIHL recommends the following

- Reducing the mowing speed,

- Varying mowing direction and overlap the cuts,
- Mowing very high grass in gradual stages.

## 19 After Finishing Work

### 19.1 Preparing for Transportation or Storage

#### **!** WARNING

To reduce the risk of personal injury from unintended activation or unauthorized use, switch off the motor, ensure the mowing blade has stopped and remove the fuse key and battery before transporting the lawn mower.

To prepare the lawn mower for transportation or storage:

- ▶ Switch off the lawn mower, 15.2.
- ▶ Remove the fuse key and battery, 13.2 and 14.2.
- ▶ If the battery or lawn mower became wet during operation, allow it to dry completely before charging or storing.

## 20 Transporting the Lawn Mower and Battery

### 20.1 Lawn Mower

#### **!** WARNING

To reduce the risk of personal injury from unintended activation, never lift or carry the lawn mower by hand with the fuse key and battery inserted.

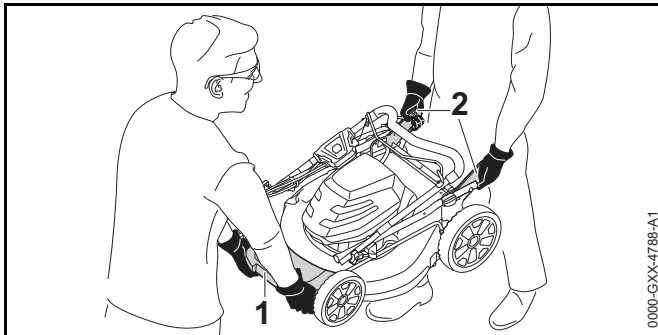
#### **!** WARNING

To reduce the risk of injury from loss of control and blade contact, never carry or transport your lawn mower with the mowing blade moving, 5.7.4. Ensure the mowing blade has stopped before lifting or carrying the lawn mower, 5.7.4.

To transport the lawn mower:

- ▶ Push the lawn mower forward slowly and in a controlled manner or drive the lawn mower using the drive system.
- ▶ When transporting the lawn mower in a vehicle, secure and position the lawn mower to prevent turnover, impact and damage. Use ropes or straps to secure the handles.


When transporting the lawn mower by hand:



- ▶ Use two persons.
- ▶ Hold the cover with both hands (1).
- ▶ Hold the left bracket (2) with the left hand and the right bracket with the right hand.
- ▶ Always wear heavy-duty non-slip work gloves made of leather or another wear-resistant material.

## 20.2 Battery

### **!** WARNING

To reduce the risk of a short circuit, which could lead to electric shock, fire and explosion, never transport the battery in a metal container or near metal objects (e.g., paper clips, nails, coins, keys),  6.

When transporting the battery:

- ▶ Place the battery in a non-metal container or carton and secure it against impact or damage. Never transport the battery in a metal or other container that is capable of conducting electricity, or near metal objects (e.g., paper clips, nails, coins, keys).
- ▶ If you are transporting the battery in a vehicle, secure it and its container to prevent turnover, impact and damage.

STIHL batteries comply with the requirements set forth in UN-Manual ST/SG/AC.10/11/Rev.5/Part III, Subsection 38.3.

Commercial air, vessel and ground transportation of lithium ion cells and batteries is regulated. The battery is classified as a UN 3480, Class 9, packaging group II product. Shipping it, either as a complete tool or the battery, requires compliance with all applicable shipping regulations. Check with the ground, vessel, air cargo or passenger airline to determine if transport is prohibited or subject to restrictions or exemptions prior to shipping or travel.



Normally, no further conditions have to be met by the user in order to transport STIHL batteries by road to the power tool's operating site. Check and comply with any special regulations that may apply to your situation.

For further information please go to [www.stihlusa.com/battery-transportation-safety](http://www.stihlusa.com/battery-transportation-safety).

## 21 Storing the Lawn Mower and Battery


### 21.1 Lawn Mower

#### **!** WARNING

Store the lawn mower indoors in a dry, secure place that cannot be accessed by children or other unauthorized users,  5.6. Never store the fuse key or battery in the lawn mower. Improper storage can result in unauthorized use and damage to the lawn mower,  5.6.





When storing the lawn mower for three months or longer:



- ▶ Clean the lawn mower,  22.
- ▶ Store the lawn mower indoors in a dry and secure location, out of the reach of children and other unauthorized persons.

## 21.2 Battery

### WARNING

To reduce the risk of a short circuit, which could lead to electric shock, fire and explosion, never store the battery in a metal container or near metal objects,  6. If the battery is damp or wet, allow it to dry thoroughly before storing,  6.

### WARNING

Extreme temperatures can damage the battery and may also cause the battery to generate heat, rupture, leak, ignite or explode, resulting in severe or fatal personal injury or property damage. Use and store the battery only within an ambient temperature range of 14 °F to 122 °F (- 10 °C to 50 °C),  6. Never store the battery in direct sunlight or inside a vehicle in hot weather,  6.


To properly store the battery:

- ▶ Take the battery out of the lawn mower or the charger.
- ▶ Make sure the battery is dry and store it indoors in a dry and secure location.
- ▶ Keep it out of the reach of children and other unauthorized persons.
- ▶ Protect the battery against dampness and corrosive agents such as garden chemicals and de-icing salts.
- ▶ Protect the battery from exposure to conductive liquids such as salt water.
- ▶ For maximum battery life, store the battery at an ambient temperature between 50 °F and 68 °F (10 °C and 20 °C) with a charge between 40 % and 60 % (2 green LEDs).
- ▶ Do not leave spare batteries unused. Use them in rotation.

## 22 Cleaning

### 22.1 Cleaning the Lawn Mower and Battery

#### WARNING

To reduce the risk of personal injury from unintended activation, remove the fuse key and battery before carrying out any cleaning work,  5.7.4. Users of this lawn mower should carry out only the cleaning described in this manual.



#### WARNING

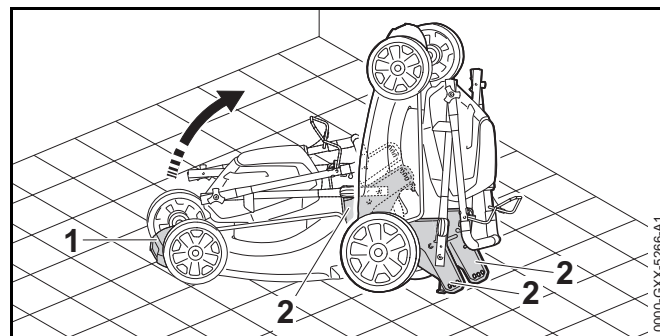
To help prevent injuries, always wear heavy-duty work gloves when handling the mowing blade.

#### NOTICE

Place the lawn mower on a firm and level surface before standing it on end. The lawn mower can topple over while cleaning. To reduce the risk of injury while cleaning, never work directly in front of or behind the unit. Always stand to one side.

To clean the lawn mower and battery:

- ▶ Place the lawn mower on a flat surface.
- ▶ Set the cutting height to position 4,  18.1.
- ▶ Fold down the handle,  12.2.



- ▶ Grip front cover (1) with one hand and the bracket (2) with the other hand.

- ▶ Stand the mower on end with the brackets (2) touching the floor.
- ▶ Clean the lawn mower's polymer components with a slightly dampened cloth. Do not use detergents or solvents. They may damage the polymer components.
- ▶ Clean the mower deck and any openings with a soft brush or a damp cloth.
- ▶ Clean the area around the mowing blade and the mowing blade itself with a wooden stick, soft brush or a damp cloth.
- ▶ Do not use a pressure washer to clean the lawn mower or otherwise spray it with water or other liquids.
- ▶ Keep the battery housing and guides free from foreign matter and clean as necessary with a soft brush or soft, dry cloth.


**NOTICE**

Never spray the lawn mower with water. Spraying it with a stream of water could result in damage to the electronics and other systems.

## 23 Inspection and Maintenance

### 23.1 Inspecting and Maintaining the Lawn Mower

#### **WARNING**

To reduce the risk of personal injury from unintended activation, remove the fuse key and battery before inspecting the lawn mower or carrying out any maintenance,  7. Carry out only the maintenance operations described in this manual. There are no user-authorized repairs. STIHL recommends that repair work be performed by authorized STIHL servicing dealers.

Proper maintenance of the lawn mower includes the following activities:

- ▶ Inspecting the mowing blade periodically and replacing it or having it replaced by an authorized STIHL servicing dealer.
- ▶ Periodically sharpening the mowing blade or having it sharpened and balanced by an authorized STIHL servicing dealer.
- ▶ Having worn, missing or damaged safety labels replaced by an authorized STIHL servicing dealer.


If you make a warranty claim for a component which has not been serviced or maintained properly, coverage may be denied.

### 23.2 Inspecting the Mowing Blade






#### **WARNING**

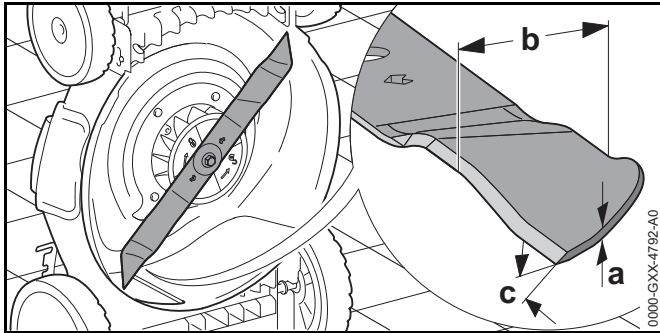
Never use a dull or damaged mowing blade. Working with a dull blade leads to increased vibration, unsatisfactory cutting results and increased wear, in particular if you use the lawn mower on sandy ground or use it frequently under dry conditions. A damaged mowing blade may vibrate, crack, break or come off the lawn mower, which may result in serious or fatal injury or property damage. Make sure the mowing blade is sharp and in good condition before starting work.

#### **WARNING**

The mowing blade has sharp edges. If it contacts your flesh, it may cut you, even if it is not moving. Always wear heavy-duty work gloves when inspecting or otherwise handling the mowing blade,  5.5.

To inspect the mowing blade:

- ▶ Switch off the lawn mower,  15.2.
- ▶ Remove the fuse key and battery,  13.2 and  14.2.
- ▶ Place the lawn mower on a flat surface.
- ▶ Set the cutting height to position 4,  18.1.
- ▶ Fold down the handle,  12.2.
- ▶ Stand the mower on end.



- ▶ Use a caliper to check the blade thickness. Blade thickness must be at least  $a = 0.05$  in. (2.0 mm) at its narrowest point.
- ▶ Use a caliper to check the blade width. Blade width must be at least  $b = 1$  in. (45 mm) at its narrowest point.
- ▶ Replace the mowing blade if the measured blade thickness and width are outside the permissible limits.
- ▶ Check the sharpening angle. Sharpen the mowing blade, if the sharpening angle is not  $c = 30^\circ$ .

### 23.3 Sharpening and Balancing the Mowing Blade

#### **!** WARNING

Never use a dull or damaged mowing blade. Working with a dull blade leads to increased physical strain, increased vibration load, unsatisfactory cutting results and increased wear, which can result in loss of control and injury to the operator or bystanders. A damaged mowing blade may vibrate, crack, break or come off the lawn mower, which may result in serious or fatal injury or property damage. Make sure the mowing blade is sharp and in good condition before starting work.

#### **!** WARNING

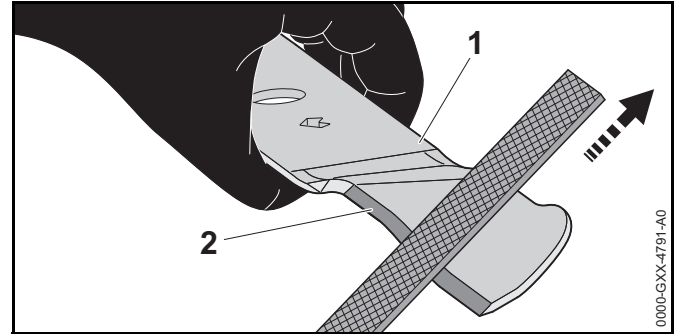
An improperly balanced mowing blade can increase the risk severe personal injury or death. STIHL recommends having your mowing blade sharpened and balanced by an authorized STIHL servicing dealer to reduce the risk of severe or fatal injury.

#### **!** WARNING

The mowing blade has sharp edges. If it contacts your flesh, it may cut you, even if it is not moving. Always wear heavy-duty work gloves when sharpening or otherwise handling the mowing blade, 5.5.

To sharpen the mowing blade:

- ▶ Remove the mowing blade, 23.4.



- ▶ Use a flat file to sharpen a dull mowing blade (1). In case of more serious wear or nicks, resharpen with a grinder or have it sharpened by an authorized STIHL servicing dealer.
- ▶ Guide the file horizontally at a right angle to the side surface (2) in accordance with the specified  $30^\circ$  angle.
- ▶ Lift the file on the backstroke. The file only sharpens on the forward stroke.
- ▶ Turn the mowing blade and sharpen the other side accordingly.

To balance the mowing blade:


- ▶ After resharpening about 5 times, check the mowing blade for out-of-balance on a STIHL balancer (special accessory) or have it checked and rebalanced by an authorized STIHL servicing dealer as necessary.

## 23.4 Replacing the Mowing Blade



### **!** WARNING

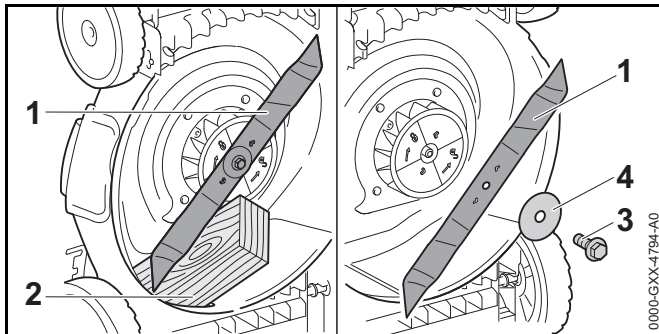
A cracked, damaged or worn out mowing blade may shatter at high speeds and cause serious or fatal injury. To reduce risk of injury from broken parts, check condition of the mowing blade before mounting at regular short intervals thereafter. Do not mount a worn, broken or damaged mowing blade.

### **!** WARNING

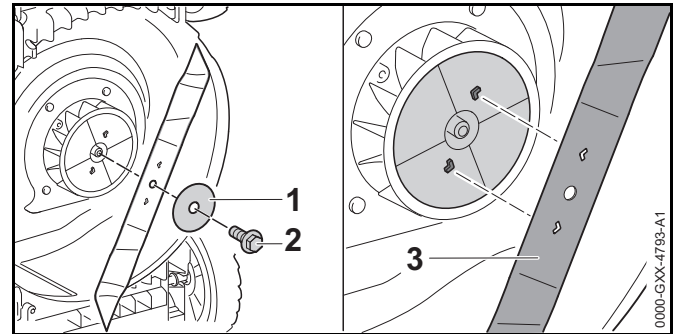
The mowing blade has sharp edges. If it contacts your flesh, it may cut you, even if it is not moving. Always wear heavy-duty work gloves when mounting or otherwise handling the mowing blade,  5.5.

To replace the mowing blade:

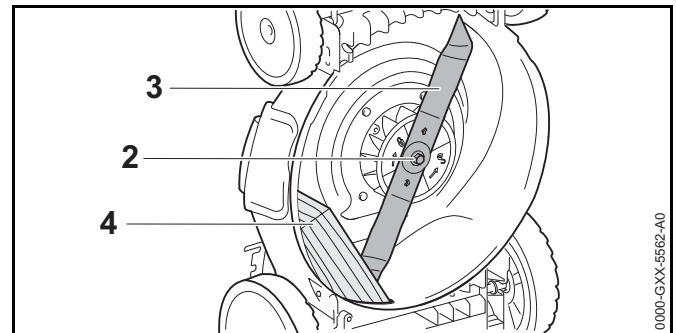
- ▶ Set the cutting height to position 4,  18.1.
- ▶ Fold down the handle,  12.2.
- ▶ Stand the mower on end.



- ▶ Use a piece of wood (2) to block the mowing blade (1).
- ▶ Remove the screw (3).
- ▶ Remove the mowing blade including the washer (4).



- ▶ Fit the washer (1) on the screw (2).
- ▶ Coat the screw with Loctite 243 or Loctite 242.
- ▶ Fit the new mowing blade (3) as depicted above. The retainers must fit into the holes in the mowing blade.












- ▶ Screw in the screw (2) together with the washer.
- ▶ Use a piece of wood (4) to block the mowing blade (3).
- ▶ Firmly tighten down the screw.







## 24 Troubleshooting Guide

### 24.1 Lawn Mower and Battery

Always remove the fuse key and battery before carrying out any inspection, cleaning or maintenance.

Condition	LEDs on Battery	Possible Cause	Remedy
Lawn mower does not start when switched on.		No electrical contact between lawn mower and battery.	<ul style="list-style-type: none"> <li>▶ Remove the battery,  13.2.</li> <li>▶ Visually check the electrical contacts in the battery compartment and on the battery.</li> <li>▶ Reinsert the battery,  14.1.</li> </ul>
	1 LED flashes green.	Battery has low charge.	<ul style="list-style-type: none"> <li>▶ Charge the battery,  9.2.</li> </ul>
	1 LED glows red.	Battery too hot / too cold.	<ul style="list-style-type: none"> <li>▶ Allow the battery to warm up or cool down gradually at ambient temperatures of about 50 °F to 68 °F (10 °C to 20 °C).</li> </ul>
	4 LEDs flash red.	Malfunction in battery.	<ul style="list-style-type: none"> <li>▶ Remove the battery and reinsert it,  14.</li> <li>▶ Switch on the lawn mower,  15.1.</li> <li>▶ If the LEDs continue to flash, do not attempt to use. The battery has a malfunction and must be replaced.</li> </ul>
	3 LEDs glow red.	lawn mower too hot.	<ul style="list-style-type: none"> <li>▶ Allow the lawn mower to cool down.</li> </ul>
	3 LEDs flash red.	Malfunction in lawn mower.	<ul style="list-style-type: none"> <li>▶ Remove the battery and reinsert it,  14</li> <li>▶ Switch on the lawn mower,  15.1.</li> <li>▶ If the LEDs still flash, do not attempt to use. The lawn mower has a malfunction and must be checked by a servicing dealer.</li> </ul>
		Mowing blade is blocked.	<ul style="list-style-type: none"> <li>▶ Increase the cutting height,  18.1.</li> <li>▶ Clean the lawn mower,  22.</li> <li>▶ Switch on the lawn mower in lower grass.</li> </ul>

**Always remove the fuse key and battery before carrying out any inspection, cleaning or maintenance.**

Condition	LEDs on Battery	Possible Cause	Remedy
Lawn mower cuts out during operation.	1 LED glows red.	Battery too hot / too cold.	<ul style="list-style-type: none"> <li>▶ Remove the battery,  13.2.</li> <li>▶ Allow the lawn mower and battery to cool down gradually at ambient temperatures of about 50 °F to 68 °F (10 °C to 20 °C).</li> <li>▶ Increase the cutting height,  18.1.</li> <li>▶ Reduce drive system speed,  16.1.</li> <li>▶ Push the mower forward more slowly.</li> </ul>
	3 LEDs glow red.	Lawn mower too hot.	
		Mowing blade is blocked.	
Drive system cannot be activated.		Malfunction in lawn mower.	<ul style="list-style-type: none"> <li>▶ Remove the battery and reinsert it,  14</li> <li>▶ Try to activate self-propel again,  16.1.</li> <li>▶ If self-propel still does not work, do not attempt to use. The lawn mower has a malfunction and must be checked by a servicing dealer.</li> </ul>
Run-time is too short.		Battery not fully charged.	▶ Charge the battery,  9.2.
		Useful life of battery has been reached or exceeded.	▶ Have the battery checked by an authorized STIHL servicing dealer.
Battery is not being charged even though LED on charger glows green.	1 LED glows red.	Battery too hot / too cold.	<ul style="list-style-type: none"> <li>▶ Allow the battery to warm up or cool down gradually at ambient temperatures of about 50 °F to 68 °F (10 °C to 20 °C).</li> <li>▶ Operate the charger only in enclosed, dry rooms at ambient temperatures of 41 °F to 104 °F (5 °C to 40 °C).</li> </ul>

## 25 Specifications

### 25.1 Lawn Mower STIHL RMA 460.0 V

- Approved battery types: STIHL AK series
- Weight without battery: 61.7 lbs. (28 kg)
- Maximum grass bag capacity: 15.85 US gals (60 l)
- Cutting width: 18.1 in. (46 cm)
- Mowing blade speed: 3200 rpm
- Mowing blade speed in ECO mode: 2800 rpm
- Self-propel speed: from 0.6 mph to 2.8 mph (1 km/h to 4.5 km/h).

For technical information regarding the STIHL AK series batteries, see the product information accompanying your battery.

For technical information regarding the STIHL AL 101, 300 and 500 series chargers, see the product information accompanying your charger.

Batteries, chargers and other accessories sold separately. Contact your authorized STIHL servicing dealer for pricing and availability.

### 25.2 Symbols on the Lawn Mower and Battery

Symbol	Explanation
V	Volt
Hz	Hertz
A	Ampere
Ah	Ampere hour
W	Watt
Wh	Watt hour
DC	Direct current



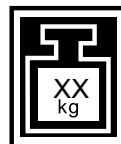
Fuse key



Fuse key socket



Switch for ECO mode



Weight of the lawn mower



Highest self-propel speed level



Lowest self-propel speed level



Noise emission level



STIHL products must not be disposed of in the household trash, but only in accordance with local, state and federal laws and regulations and as provided in this manual, 27.



The RBRC seal indicates that STIHL has prepaid for battery recycling.



Direct current



Number of cells and stored energy according to cell manufacturer's specification. Usable energy will be less.

### 25.3 STIHL AK Series Battery

Approved charger type: STIHL AL 101, AL 300 or AL 500 series.

- Battery technology: Lithium-Ion
- Voltage: 36 V
- Rated capacity in Ah<sup>1</sup>: See rating plate

<sup>1</sup> Rated capacity calculated pursuant to IEC 61960. Usable energy available to the operator will be less.

- Stored energy in Wh<sup>1</sup>: See rating plate
- Weight in kg: See rating plate
- Permissible ambient temperature range during use or storage: 14 °F to 122 °F (- 10 °C to 50 °C)

For a complete list of approximate charging times, see [www.stihl.com/charging-times](http://www.stihl.com/charging-times).

For a complete list of approximate battery runtimes, see [www.stihl.com/battery-life](http://www.stihl.com/battery-life).

## 25.4 Engineering Improvements

STIHL's philosophy is to continually improve all of its products. As a result, engineering changes and improvements are made from time to time. Therefore, some changes, modifications and improvements may not be covered in this manual. If the operating characteristics or the appearance of your machine differs from those described in this manual, please contact your STIHL dealer or the STIHL distributor in your area for assistance.

## 25.5 FCC 15 Compliance Statement

This device complies with part 15 of the FCC Rules.

Operation is subject to the following two conditions:

- this device may not cause harmful interference.
- this device must accept any interference received, including interference that may cause undesired operation.

Note: This equipment has been tested and found to comply with the limits for a Class B digital device, pursuant to part 15 of the FCC Rules. These limits are designed to provide reasonable protection against harmful interference in a residential installation. This equipment generates, uses and can radiate radio frequency energy and, if not installed and used in accordance with the instructions, may cause harmful

interference to radio communications. However, there is no guarantee that interference will not occur in a particular installation.

If this equipment does cause harmful interference to radio or television reception, which can be determined by turning the equipment off and on, the user is encouraged to try to correct the interference by one or more of the following measures:

- reorient or relocate the receiving antenna,
- increase the separation between the equipment and receiver,
- connect the equipment to an outlet on a circuit different from that to which the receiver is connected,
- consult an authorized STIHL servicing dealer or an experienced radio/TV technician for help.

Do not change or modify this product in any way unless specifically allowed in this manual, since this could void your authority to operate it.

<sup>1</sup> The battery is marked with its stored energy as provided by the cell manufacturer. Usable energy available to the operator will be less.



## 26 Replacement Parts and Equipment

### 26.1 Genuine STIHL Replacement Parts

STIHL recommends the use of genuine STIHL replacement parts. Genuine STIHL parts can be identified by the STIHL part number, the **STIHL** logo and, in some cases, by the STIHL parts symbol **G**. The symbol may appear alone on small parts.

## 27 Disposal

### 27.1 Disposal of the Power Tool

STIHL products must not be thrown in household trash or disposed of except as outlined in this manual.

- ▶ Take the power tool, accessories and packaging to an approved disposal site for environmentally friendly recycling.
- ▶ Contact your authorized STIHL servicing dealer for the latest information on disposal and recycling.

### 27.2 Battery Recycling

#### WARNING

Handle discharged/depleted batteries carefully. Even if believed to be discharged, lithium ion batteries may never totally discharge and still may deliver a dangerous short circuit current. If damaged or exposed to extreme temperatures, they may leak, generate heat, catch fire or explode.

- ▶ Observe all federal, state and local disposal rules and regulations.
- ▶ Contact your authorized STIHL servicing dealer for the latest information on waste disposal.
- ▶ Recycle depleted batteries promptly.
- ▶ Keep batteries away from children. Do not disassemble and do not dispose of in fire.



STIHL is committed to the development of products that are environmentally responsible. This commitment does not stop when the product leaves the authorized STIHL servicing dealer. STIHL has partnered with the RBRC (Rechargeable Battery Recycling Corporation) to promote the collection and recycling of spent STIHL lithium ion batteries in the United States and Canada.

The RBRC seal indicates that STIHL has prepaid for battery recycling. RBRC has a toll free phone number (1-800-822-8837) that connects you to information on battery recycling locations and information on battery disposal bans or restrictions in your area. You can also return your spent battery to any authorized STIHL servicing dealer for recycling free of charge.

## 28 Limited Warranty

### 28.1 STIHL Incorporated Limited Warranty Policy

This product is sold subject to the STIHL Incorporated Limited Warranty Policy, available at [www.stihlusa.com/warranty.html](http://www.stihlusa.com/warranty.html). It can also be obtained from your authorized STIHL dealer or by calling 1-800-GO-STIHL (1-800-467-8445).

## 29 Trademarks

### 29.1 Registered Trademarks

STIHL®

**STIHL**®

**G**®

The color combination orange-grey (U.S. Registrations #2,821,860; #3,010,057; #3,010,058; #3,400,477; and #3,400,476)

FARM BOSS®

iCademy®

MAGNUM®

MasterWrench Service®

MotoMix®

OILOMATIC®

ROCK BOSS®

STIHL Cutquik®

AutoCut®  
 YARD BOSS®  
 STIHL ROLLOMATIC®  
 WOOD BOSS®



STIHL DUROMATIC®  
 STIHL Quickstop®  
 STIHL WOOD BOSS®  
 TIMBERSPORTS®



## 30 Addresses

### 30.1 STIHL Incorporated

STIHL Incorporated  
 536 Viking Drive  
 P.O. Box 2015  
 Virginia Beach, VA  
 23452-2015

### 29.2 Common Law Trademarks

4-MIX™	HT Plus™
BioPlus™	STIHL PowerSweep™
Easy2Start™	STIHL Protech™
EasySpool™	STIHL MiniBoss™
ElastoStart™	STIHL MotoPlus 4™
Ematic™	Master Control Lever™
STIHL Precision Series™	STIHL OUTFITTERS™
FixCut™	STIHL PICCO™
Micro™	TrimCut™
Pro Mark™	STIHL M-Tronic™
Quad Power™	STIHL HomeScaper Series™
Quiet Line™	STIHL PolyCut™
STIHL Arctic™	STIHL RAPID™
STIHL Compact™	STIHL SuperCut™
STIHL Interchangeable Attachment Series™	STIHL Multi-Cut HomeScaper Series™
TapAction™	STIHL Territory™
	

This listing of trademarks is subject to change.

Any unauthorized use of these trademarks without the express written consent of ANDREAS STIHL AG & Co. KG, Waiblingen is strictly prohibited.

# Contenido

<b>1</b>	<b>Introducción</b> .....	<b>42</b>	11.1	Montaje del mango	62
<b>2</b>	<b>Acerca de este manual de instrucciones</b> .....	<b>42</b>	11.2	Instalación y retiro de la bolsa para pasto	62
2.1	Palabras identificadoras	42	11.3	Colocación y retiro del accesorio de mullido	63
2.2	Símbolos en el texto	43	11.4	Montaje y retiro de la guía de descarga lateral	63
<b>3</b>	<b>Componentes importantes</b> .....	<b>43</b>	<b>12</b>	<b>Ajuste del cortacéspedes –</b> .....	<b>64</b>
3.1	Cortacésped y batería	43	12.1	Despliegue y ajuste el mango	64
<b>4</b>	<b>Símbolos de seguridad en los productos</b> .....	<b>44</b>	12.2	Plegado del mango	65
4.1	Cortacéspedes	44	<b>13</b>	<b>Colocación y retiro de las llave fusible</b> .....	<b>66</b>
4.2	Batería	45	13.1	Colocación de la llave fusible	66
<b>5</b>	<b>INSTRUCCIONES IMPORTANTES DE SEGURIDAD</b> .....	<b>46</b>	13.2	Retiro de la llave fusible	66
5.1	Advertencias e instrucciones generales sobre seguridad	46	<b>14</b>	<b>Colocación y extracción de la batería</b> .....	<b>67</b>
5.2	Advertencias generales de seguridad e instrucciones para productos a batería	47	14.1	Colocación de la batería	67
5.3	Uso previsto	48	14.2	Extracción de la batería	67
5.4	Operador	48	<b>15</b>	<b>Encendido y apagado del cortacéspedes</b> .....	<b>68</b>
5.5	Equipos de protección personal	48	15.1	Encendido	68
5.6	Cortacéspedes	49	15.2	Apagado	69
5.7	Uso del cortacéspedes –	50	<b>16</b>	<b>Activación y desactivación del sistema de propulsión</b> .....	<b>69</b>
<b>6</b>	<b>Seguridad de la batería</b> .....	<b>56</b>	16.1	Activación del sistema de propulsión	69
6.1	Advertencias e instrucciones	56	16.2	Desactivación del sistema de propulsión	69
<b>7</b>	<b>Mantenimiento, reparación y almacenamiento</b> .....	<b>58</b>	<b>17</b>	<b>Comprobación del cortacéspedes</b> .....	<b>69</b>
7.1	Advertencias e instrucciones	58	17.1	Prueba de los controles	69
<b>8</b>	<b>Antes de empezar a trabajar</b> .....	<b>59</b>	<b>18</b>	<b>Durante el funcionamiento</b> .....	<b>70</b>
8.1	Preparación del cortacéspedes para el funcionamiento	59	18.1	Ajuste de la altura de corte	70
<b>9</b>	<b>Carga de la batería</b> .....	<b>59</b>	18.2	Activación del modo ECO	70
9.1	Preparación del cargador para el funcionamiento	59	18.3	Corte y picado del césped	71
9.2	Carga	60	<b>19</b>	<b>Después de completar el trabajo</b> .....	<b>72</b>
<b>10</b>	<b>Diagnóstico de LED</b> .....	<b>61</b>	19.1	Preparación para el transporte o el almacenamiento	72
10.1	LED en la batería	61	<b>20</b>	<b>Transporte del cortacéspedes y de la batería</b> .....	<b>72</b>
<b>11</b>	<b>Armado del cortacéspedes –</b> .....	<b>62</b>	20.1	Cortacésped	72
			20.2	Batería	73

# STIHL

Este manual de instrucciones está protegido por derechos de propiedad intelectual. Todos los derechos reservados, especialmente los derechos de reproducción, traducción y procesamiento con sistemas electrónicos.

<b>21 Almacenamiento del cortacéspedes y de la batería</b> .....	<b>73</b>
21.1 Cortacéspedes .....	73
21.2 Batería .....	73
<b>22 Limpieza</b> .....	<b>74</b>
22.1 Limpieza del cortacésped y de la batería .....	74
<b>23 Inspección y mantenimiento</b> .....	<b>75</b>
23.1 Inspección y mantenimiento del cortacéspedes .....	75
23.2 Inspección de la cuchilla de corte .....	75
23.3 Afilado y equilibrio de la cuchilla de corte .....	76
23.4 Cambio de la cuchilla de corte .....	76
<b>24 Guía de solución de problemas</b> .....	<b>78</b>
24.1 Cortacésped y batería .....	78
<b>25 Especificaciones</b> .....	<b>80</b>
25.1 Cortacéspedes STIHL RMA 460.0 V .....	80
25.2 Símbolos en el cortacéspedes y la batería .....	80
25.3 Batería STIHL serie AK .....	80
25.4 Mejoramientos técnicos .....	81
25.5 Declaración de cumplimiento con norma FCC 15 .....	81
<b>26 Piezas y equipos de repuesto</b> .....	<b>82</b>
26.1 Piezas de repuesto originales de STIHL .....	82
<b>27 Eliminación</b> .....	<b>82</b>
27.1 Desecho de la herramienta motorizada .....	82
27.2 Reciclado de las baterías .....	82
<b>28 Garantía limitada</b> .....	<b>82</b>
28.1 Política de garantía limitada de STIHL Incorporated .....	82
<b>29 Marcas comerciales</b> .....	<b>82</b>
29.1 Marcas comerciales registradas .....	82
29.2 Marcas comerciales por ley común .....	83
<b>30 Direcciones</b> .....	<b>83</b>
30.1 STIHL Incorporated .....	83

## 1 Introducción

Gracias por su compra. La información que le brinda este manual le ayudará a obtener el máximo rendimiento y satisfacción del cortacéspedes de STIHL, y a reducir el riesgo de lesiones que supone su uso, si dicha información se respeta.

### ¡CONSERVE ESTE MANUAL!



Dado que el cortacéspedes es una herramienta de corte motorizada de gran velocidad impulsada por baterías, es necesario tomar medidas especiales de seguridad para reducir el riesgo de lesiones.



Lea este manual de instrucciones detenidamente antes del uso y periódicamente de allí en adelante. Aténgase a todas las instrucciones de seguridad. Todo uso negligente o indebido del cortacéspedes puede provocar lesiones graves o mortales.

Pida a su concesionario de servicio STIHL autorizado que le enseñe el manejo del cortacéspedes.

No preste ni alquile nunca su cortacéspedes sin el manual de instrucciones. Solamente permita que personas debidamente capacitadas y que comprendan la información de este manual por completo manejen el cortacéspedes.

Para obtener más información, o si no comprende alguna de las instrucciones incluidas en este manual, visite [www.stihlusa.com](http://www.stihlusa.com) o comuníquese con el concesionario de STIHL.

## 2 Acerca de este manual de instrucciones

### 2.1 Palabras identificadoras

Este manual contiene información sobre seguridad a la que usted debe prestar atención especial. Dicha información se indica con los siguientes símbolos y palabras identificadoras:

**⚠ PELIGRO**

Identifica una situación de peligro que, de no evitarse, causará lesiones graves o mortales.

**⚠ ADVERTENCIA**


Identifica una situación de peligro que, de no evitarse, podría causar lesiones graves o mortales.

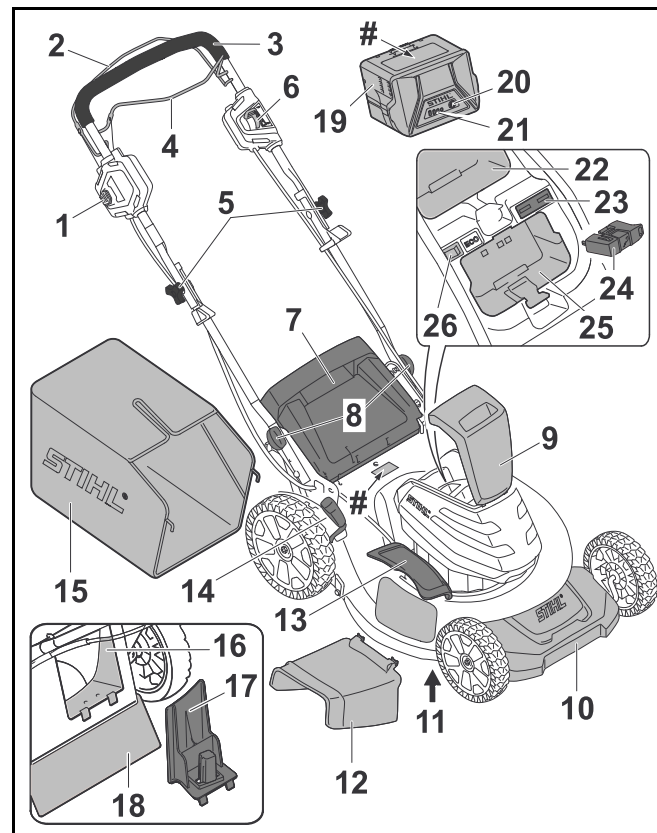
**INDICACIÓN**

Indica el riesgo de daños a la propiedad, incluidos la máquina o sus componentes.

**2.2 Símbolos en el texto**

El siguiente símbolo tiene como finalidad ayudarlo a utilizar este manual.

-  Hace referencia a un capítulo o subcapítulo designado en este manual de instrucciones.

**3 Componentes importantes****3.1 Cortacésped y batería****1 Bloqueo de palanca de interruptor**

Evita la activación de la palanca de interruptor hasta que se presiona.

**2 Palanca de interruptor**

Enciende y apaga la hoja de cuchilla.

**3 Mango**

Para controlar el cortacésped.

- 4 Palanca de autopropulsión**  
Activa el sistema de accionamiento.
- 5 Perilla**  
Permite que la parte superior del mango se pueda plegar.
- 6 Palanca de velocidad**  
Controla la velocidad motriz.
- 7 Cubierta de expulsión trasera**  
Ayuda a evitar la expulsión de recortes durante el corte.
- 8 Empuñadura de mango**  
Permite que la parte inferior y la parte superior del mango se puedan plegar.
- 9 Cubierta del compartimento de batería**  
Cubre y protege el compartimento de batería, el compartimento de almacenamiento de batería de repuesto, el interruptor ECO, la batería y la llave de fusible.
- 10 Cubierta**  
Diseñada para transportar la unidad y cubrir la carcasa.
- 11 Cuchilla de corte**  
Hoja de cuchilla de metal para cortar césped y para mulching.
- 12 Guía de expulsión lateral**  
Dirige los recortes hacia el suelo durante el corte.
- 13 Cubierta de expulsión lateral**  
Ayuda a evitar la expulsión de recortes durante el corte.
- 14 Palanca de ajuste de altura de corte**  
Se usa para ajustar la altura de la cuchilla de corte.
- 15 Bolsa de césped**  
Recoge los recortes durante el corte.
- 16 Canal de expulsión trasera**  
Expulsa los recortes hacia la bolsa de césped durante el corte.
- 17 Accesorio de mulching**  
Evita la expulsión de recortes al canal de expulsión trasera.
- 18 Protección de arrastre**  
Diseñada para reducir el riesgo de lesiones a causa de objetos arrojados o contacto con la hoja de corte.
- 19 Batería**  
Suministra energía eléctrica al motor.
- 20 Botón pulsador**  
Activa los LEDs de la batería.
- 21 LEDs de batería**  
Indica el estado de carga de la batería y muestra mensajes de error con respecto a posibles averías en la batería o en la herramienta.
- 22 Compartimento de batería de repuesto.**  
Contiene la batería de repuesto.
- 23 Enchufe de llave de fusible**  
Enchufe para conectar la llave de fusible al cortacésped.
- 24 Llave de fusible**  
Interrumpe el circuito entre la batería y el motor.
- 25 Compartimento de la batería**  
Contiene la batería.
- 26 Interruptor ECO**  
Enciende o apaga el modo ECO.
- # Placa de características**  
Contiene la información eléctrica y el número de serie del producto.

## 4 Símbolos de seguridad en los productos

### 4.1 Cortacéspedes

Los siguientes símbolos de seguridad están presentes en el cortacéspedes:



Para reducir el riesgo de lesiones, respete las medidas de seguridad especificadas.



Lea y atégase a todas las precauciones de seguridad dadas en el manual de instrucciones. El uso inadecuado puede provocar lesiones personales graves o mortales o daños a la propiedad.



Para reducir el riesgo de lesionarse los ojos, siempre use gafas protectoras adecuadas, 5.5.



Para reducir el riesgo de lesiones personales o daños a la propiedad causados por un cortocircuito, un incendio o una explosión, mantenga el cortacéspedes seco. Protéjalo de la lluvia, el agua, los líquidos y las condiciones de humedad. Nunca sumerja el cortacéspedes en agua u otros líquidos, 5.6.



Para reducir el riesgo de sufrir laceraciones, mantenga las manos, los pies y otras partes del cuerpo alejados de las cuchillas. Nunca coloque las manos o los pies debajo del cortacéspedes, particularmente durante el funcionamiento. Nunca intente retirar la hierba cortada u otros residuos de la cuchilla de corte o del tubo de descarga sin antes apagar el cortacéspedes y sacarle la llave fusible y la batería, 5.7.4.



**PELIGRO:** Mantenga alejadas las manos y los pies.

Para reducir el riesgo de lesionarse, mantenga las manos y los pies alejados de los componentes giratorios. No use la máquina a menos que las cubiertas de descarga o la bolsa para pasto se encuentren en su lugar. Si las cubiertas de descarga presentan daños, replácelas de inmediato, 5.7.4.



La cuchilla giratoria puede arrojar objetos a gran distancia directa o indirectamente. Para reducir el riesgo de sufrir lesiones por un golpe con algún objeto despedido, inspeccione la zona de corte y retire las piedras, los trozos de metal, vidrio, alambres y otros objetos que pudieran ser lanzados por la cuchilla de corte, 5.7.4.



Para reducir el riesgo de lesiones personales causadas por objetos lanzados, mantener a las demás personas a por lo menos 15 m (50 pies) de distancia, 5.7.4.



Para reducir el riesgo de sufrir lesiones debido a la pérdida de control, corte en sentido paralelo a una pendiente, nunca suba ni baje la pendiente. Tenga cuidado en particular al cambiar de sentido de avance sobre una pendiente, 5.7.4.



Para reducir el riesgo de lesiones o daños a la propiedad debido a la activación inesperada, quite la batería cuando el cortacéspedes no esté en uso, 5.7.

## 4.2 Batería

Los siguientes símbolos de seguridad están presentes en la batería serie AK:



Para reducir el riesgo de lesiones, respete las medidas de seguridad especificadas.



Lea y respete todas las precauciones de seguridad dadas en el manual de instrucciones de la batería y en el manual de la herramienta STIHL que utiliza esta batería. El uso inadecuado puede provocar lesiones personales graves o mortales o daños a la propiedad.



Para reducir el riesgo de lesiones personales o daños a la propiedad debido a incendios, explosiones o quemaduras, incluidas las quemaduras químicas, no desarme, aplaste, deje caer, dañe o caliente la unidad a más de 100°C (212°F). Nunca la exponga al fuego ni la incinere, 6.



Para reducir el riesgo de lesiones personales o daños a la propiedad debido a un incendio, use y almacene la batería solo dentro de un rango de temperatura ambiente de -10°C a 50°C (14°F a 122°F), 6.



Para reducir el riesgo de lesiones personales o daños a la propiedad causados por un cortocircuito, un incendio o una explosión, mantenga la unidad seca. Protéjala contra la lluvia, el agua y las condiciones húmedas. Nunca la sumerja en agua u otros líquidos, 6.

Las baterías se venden por separado.

## 5 INSTRUCCIONES IMPORTANTES DE SEGURIDAD

### 5.1 Advertencias e instrucciones generales sobre seguridad

Esta sección contiene las advertencias de seguridad generales e instrucciones prescritas para cortacéspedes eléctricos. En las siguientes secciones de este manual, se proporcionan otras advertencias e instrucciones importantes.

## ADVERTENCIA

Para reducir el riesgo de incendios, choques eléctricos y lesiones personales, siempre siga las precauciones de seguridad básicas al usar cortacéspedes eléctricos:

**¡LEA TODAS LAS INSTRUCCIONES ANTES DE USAR EL CORTACÉSPEDES!**

- 1) Evite los entornos peligrosos - No utilice un cortacéspedes en lugares húmedos ni mojados.
- 2) No lo use bajo la lluvia.
- 3) Mantenga alejados a los niños - Las demás personas deben mantenerse alejadas de la zona de trabajo.
- 4) Use vestimenta apropiada – No use ropa suelta ni joyas. Estos elementos pueden quedar atrapados en las piezas en movimiento. Se recomienda usar calzado resistente. Nunca utilice sandalias, zapatos tenis, chancletas o calzados similares, ni trabaje descalzo. Use guantes gruesos (por ejemplo, fabricados de cuero u otro material resistente al desgaste) cuando transporte el cortacéspedes o intervenga en la cuchilla.
- 5) Use gafas de seguridad – Siempre utilice una máscara o mascarilla contra polvo al trabajar en un lugar polvoriento.
- 6) Utilice el aparato apropiado para el trabajo - No use el cortacéspedes para ningún propósito diferente al de su diseño.
- 7) No fuerce el cortacéspedes – Se hace el trabajo de modo mejor y más seguro al ritmo para el cual fue diseñado.
- 8) No intente llegar más lejos de lo debido – Mantenga los pies bien apoyados y equilibrados en todo momento.
- 9) Permanezca alerta – Esté atento a lo que está haciendo. Use buen criterio. No maneje el cortacéspedes cuando está fatigado.
- 10) Desconecte el cortacéspedes – Desconéctelo de la fuente de energía por medio de retirar la llave fusible o la batería cuando no esté en uso, antes de darle mantenimiento y al sustituir accesorios tales como la cuchilla y similares.
- 11) Guarde el cortacéspedes bajo techo – Cuando no esté en uso, guarde el cortacéspedes bajo techo, en un lugar seco y bajo llave, fuera del alcance de los niños.
- 12) Cuide del cortacéspedes – Mantenga el filo afilado y limpio para obtener los mejores resultados y para reducir el riesgo de lesiones. Siga las instrucciones para lubricar la máquina y cambiar sus accesorios. Inspeccione el cortacéspedes periódicamente. Si está dañado, solicite a un taller autorizado que lo repare.



- 13) Mantenga los mangos secos, limpios y sin aceite ni grasa.
- 14) Mantenga los protectores en su lugar y en buenas condiciones.
- 15) Mantenga las cuchillas afiladas.
- 16) Mantenga las manos y los pies lejos de la zona de corte.
- 17) Los objetos golpeados por la cuchilla del cortacésped pueden causar lesiones graves. Examine el césped minuciosamente y despeje todos los objetos del mismo antes de cortarlo.
- 18) Si el cortacésped choca contra un objeto extraño, siga los pasos dados a continuación:
  - Detenga el cortacésped. Suelte la palanca de interruptor.
  - Retire la llave fusible y la batería.
  - Revise en busca de daños.
  - Los daños deberán ser reparados por un taller de servicio autorizado antes de arrancar y usar el cortacésped.
- 19) Utilice únicamente cuchillas de repuesto idénticas.

## GUARDE ESTAS INSTRUCCIONES.

### 5.2 Advertencias generales de seguridad e instrucciones para productos a batería

Esta sección contiene las advertencias de seguridad generales e instrucciones prescritas para los productos a batería contenidos en UL 2595.

## ADVERTENCIA

Lea todas las advertencias e instrucciones de seguridad. El incumplimiento de las advertencias e instrucciones puede provocar electrocuciones, incendios, explosiones y otros tipos de lesiones personales o daños materiales graves.

- 1) Evite el arranque involuntario. Asegúrese de que la palanca de interruptor está en la posición off antes de insertar la batería.
- 2) Retire la llave de fusible y la batería antes de levantar o transportar el cortacésped y antes de realizar ajustes, cambiar accesorios o almacenarlo. Estas medidas de seguridad preventivas reducen el riesgo de que el cortacésped arranque accidentalmente.
- 3) Recargue únicamente con el cargador especificado por STIHL. Un cargador que es adecuado para un tipo de batería puede crear un riesgo de incendio si se usa con otra batería.
- 4) Use el cortacésped únicamente con las baterías designadas de manera específica. El uso de cualquier otra batería puede generar un riesgo de incendio o explosiones y lesiones personales o daños materiales.
- 5) Cuando la batería no está en uso, manténgala alejada de otros objetos metálicos como sujetapapeles, monedas, llaves, clavos u otros objetos metálicos pequeños que pudieran provocar una conexión de una terminal a otra. No la almacene en un recipiente metálico. La puesta en cortocircuito de los terminales de la batería puede provocar quemaduras, incendios o explosiones.
- 6) En condiciones inadecuadas, la batería podría expulsar líquido; evite el contacto. Si se produce un contacto accidental, enjuague con agua. Si el líquido entra en contacto con los ojos, busque además asistencia médica. El líquido expulsado por la batería puede provocar irritación, quemaduras químicas o enfermedades respiratorias por inhalación.
- 7) No use una batería o un cortacésped que esté dañado o haya sido modificado. Las baterías dañadas o modificadas pueden presentar un comportamiento impredecible que podría provocar explosiones y riesgo de lesiones o daños materiales.
- 8) No exponga la batería o el cortacésped al fuego o a temperaturas excesivas. La exposición al fuego o a temperaturas por encima de los 212° F (100° C) puede provocar incendios y explosiones.

- 9) Siga todas las instrucciones de carga y no cargue la batería fuera del rango de temperatura ambiente especificado. Una carga inapropiada o por fuera del rango especificado puede dañar la batería y aumentar el riesgo de incendio.
- 10) Asegúrese de que el mantenimiento sea realizado por un técnico cualificado y únicamente con piezas de repuesto idénticas.

## CONSERVE ESTAS INSTRUCCIONES

### 5.3 Uso previsto

## ⚠ ADVERTENCIA

- Este cortacésped está previsto para el corte manual del césped. El uso del cortacésped para operaciones no previstas podría provocar lesiones graves o mortales.
  - Use este cortacésped únicamente para cortar césped seco. No corte césped mojado.
- Un uso inapropiado podría provocar lesiones personales o daños materiales, incluyendo daños en el cortacésped.
  - Use el cortacésped y la batería solo como se indica en este manual.
  - Nunca intente modificar o anular de ninguna manera los controles del cortacésped o los dispositivos de seguridad.
  - Nunca use un cortacésped que haya sido modificado o alterado de su diseño original.
  - Asegúrese de leer y seguir las advertencias e instrucciones de su batería y del cargador antes de iniciar la carga o comenzar a trabajar.
- Esta herramienta solo se puede alimentar con una batería de la serie STIHL AK.
- La batería de la serie STIHL AK está diseñada para su uso exclusivo con herramientas STIHL compatibles.

Las baterías, los cargadores y otros accesorios se venden por separado.

### 5.4 Operador

## ⚠ ADVERTENCIA

- El uso del cortacéspedes puede ser extenuante. El operador debe hallarse en buenas condiciones tanto físicas como mentales. Para reducir el riesgo de lesiones personales causadas por fatiga o pérdida del control:
  - Consulte con su médico antes de trabajar con el cortacéspedes si usted padece de alguna condición de salud que pudiera ser agravada por el trabajo extenuante.
  - No utilice el cortacéspedes si se encuentra bajo la influencia de alguna sustancia (drogas, alcohol o medicamentos, etc.) que pudiera perjudicar su visión, equilibrio, destreza o criterio.
  - Esté alerta. No maneje el cortacéspedes cuando está fatigado. Tómese un descanso si se siente cansado.
  - No permita que los niños usen el cortacéspedes.
  - No se debe permitir la proximidad de otros, especialmente niños y animales, donde se esté utilizando el cortacéspedes.
- Según los conocimientos actuales de STIHL, el motor eléctrico de este cortacéspedes no debería interferir con un marcapasos.
  - Sin embargo, las personas con marcapasos u otro dispositivo médico implantado deben consultar a su médico y al fabricante del dispositivo antes de utilizar este cortacéspedes.

### 5.5 Equipos de protección personal

## ⚠ ADVERTENCIA

- Si el cabello, la ropa o los trajes entran en contacto con las cuchillas de corte en movimiento o se enredan en los componentes del cortacéspedes, podría perderse el control y producirse lesiones cortantes graves. Para reducir el riesgo de lesiones personales graves:



- Use ropa resistente y ajustada que permita una completa libertad de movimiento.
- Use monos o pantalones largos hechos de un material grueso para protegerse las piernas. No use pantalones cortos.

- Evite el uso de chaquetas sueltas, bufandas, corbatas, pantalones acampanados o con vueltas, joyas o cualquier otra vestimenta que pueda engancharse en las ramas, matorrales o los componentes móviles del cortacéspedes.
- Sujétese el cabello por encima de los hombros antes de empezar a trabajar.

- Para reducir el riesgo de lesiones oculares:



- Siempre utilice gafas o anteojos protectores bien ajustados con protección lateral resistentes a impactos y que porten designaciones que indiquen que cumplen con la norma ANSI Z87 «+».

- Es muy importante tener una buena superficie de apoyo para los pies. Para ayudar a mantener un punto de apoyo seguro y reducir el riesgo de lesiones mientras trabaja:



- Póngase un calzado sólido con suela antideslizante. Nunca use sandalias, ojotas, zapatos que dejen los dedos descubiertos ni calzado de ese tipo, ni vaya descalzo.

- Para mejorar el manejo y ayudar a proteger las manos:



- Siempre use guantes gruesos antideslizantes de cuero o de otro material resistente al desgaste para manipular el cortacéspedes o su cuchilla.

## 5.6 Cortacéspedes

### ⚠ ADVERTENCIA

- El contacto con la cuchilla de corte en movimiento puede causarle laceraciones graves. Para reducir el riesgo de este tipo de lesiones:

- Mantenga las manos, los pies y cualquier otra parte del cuerpo lejos de la cuchilla de corte.
- No toque con las manos ni con ninguna parte del cuerpo una cuchilla en movimiento.

- Para reducir el riesgo de descarga eléctrica:



- No exponga el cortacéspedes a la lluvia, al agua o a la humedad excesiva.
- Nunca sumerja el cortacéspedes en agua u otros líquidos.
- No deje el cortacéspedes al aire libre bajo la lluvia.
- Almacene el cortacéspedes bajo techo cuando no esté en uso.

- El contacto con la cuchilla de corte en movimiento puede causarle laceraciones graves. Para reducir el riesgo de este tipo de lesiones:

- Mantenga las manos, los pies y cualquier otra parte del cuerpo lejos de la cuchilla de corte.
- No toque con las manos ni con ninguna parte del cuerpo una cuchilla en movimiento.


- Para reducir el riesgo de lesiones personales al operador y a los espectadores:



- Siempre suelte la palanca de interruptor y extraiga la llave fusible y la batería antes de armar, transportar, ajustar, inspeccionar, limpiar, darle mantenimiento o guardar el cortacéspedes y cuando no esté en uso.

- Aunque algunos accesorios o aperos no autorizados pudieran encajar en los cortacéspedes STIHL, utilizarlos podría aumentar el riesgo de sufrir lesiones. Utilice

únicamente los accesorios y aperos suministrados por STIHL o expresamente autorizados por STIHL para usarse con el modelo específico de cortacéspedes.

- Use solo los accesorios suministrados o expresamente aprobados por STIHL.
- No realice ninguna modificación en este cortacéspedes.
- Nunca intente modificar ni anular los controles o dispositivos de seguridad del cortacéspedes en manera alguna.
- El interruptor y los dispositivos de seguridad instalados en el cortacéspedes no deben retirarse ni derivarse. En particular, nunca fije la palanca de interruptor al mango (por ejemplo, por medio de atarla).
- Nunca utilice un cortacéspedes que haya sido modificado o alterado, apartándose de su diseño original.
- Si el cortacéspedes se cae o se expone a fuertes impactos, similares a los de una caída:
  - Asegúrese de que no se haya dañado, de que esté en buenas condiciones y de que funcione correctamente antes de seguir con el trabajo.
  - Compruebe que los controles y dispositivos de seguridad funcionen correctamente.
  - Revise los LED por si hay mensajes de error,  10.1.2.
  - Compruebe que la batería no se haya dañado. Nunca utilice ni cargue una batería defectuosa, dañada, agrietada, deformada o que pierda líquido.
  - Nunca trabaje con un cortacéspedes o batería que presente averías o funcione mal. En caso de dudas, solicite al concesionario autorizado de STIHL que revise el cortacéspedes y la batería.
- Si el cortacéspedes o la batería se daña, no funciona correctamente, se ha dejado al aire libre, se ha expuesto a lluvia o condiciones húmedas o se ha caído en agua u

otro líquido, es posible que sus componentes y los dispositivos de seguridad ya no funcionen. Para reducir el riesgo de lesiones personales y daños a la propiedad:




- Lleve el cortacéspedes y la batería al concesionario autorizado de STIHL para que sean revisados antes de continuar utilizándolos.
- Las piezas de repuesto auténticas de STIHL están diseñadas específicamente para su cortacéspedes y satisfacen las necesidades de rendimiento y seguridad. El uso de componentes no autorizados o no aprobados por STIHL puede causar lesiones graves o mortales y daños a la propiedad.
  - STIHL recomienda que solo se utilicen repuestos STIHL idénticos.

## 5.7 Uso del cortacéspedes –

### 5.7.1 Antes del uso

## ADVERTENCIA

- El uso inadecuado o no autorizado puede causar lesiones personales o daños a la propiedad.
  - Use el cortacéspedes solo como se indica en este manual de instrucciones.
- Nunca se debe permitir a los niños que usen esta herramienta motorizada. No se debe permitir la proximidad de otras personas, especialmente de niños, ni de animales en los lugares donde se esté utilizando la máquina. Pueden suceder accidentes si el operador no está atento a la presencia de niños. Los niños frecuentemente se sienten atraídos a la máquina y a los trabajos de corte. Nunca suponga que los niños permanecerán en el último lugar donde los vio. Mantenga a los niños bajo la vigilancia de una persona adulta responsable que no sea el operador. Tenga cuidado adicional al acercarse a esquinas sin visibilidad, arbustos, árboles u otros objetos que pudieran impedirle ver a un niño.

- Usar un cortacéspedes que está dañado, mal ajustado o reparado, o que no se armó por completo y de forma segura puede provocar una avería en el sistema y aumentar el riesgo de lesiones personales graves o la muerte.
    - No maneje nunca un cortacéspedes que esté dañado, mal ajustado o que no esté armado completa y debidamente.
    - Siempre compruebe que el cortacéspedes esté en buenas condiciones y funcione correctamente antes de iniciar los trabajos, en particular la palanca de interruptor y su bloqueo, y efectúe una inspección visual de la cuchilla.
    - Compruebe que la palanca de interruptor y su bloqueo se muevan libremente y siempre regresen a la posición de bloqueo al soltarlos. La palanca de interruptor no debe poder oprimirse sin que antes se oprima su bloqueo.
    - Nunca intente modificar ni anular los controles ni los dispositivos de seguridad de ningún modo.
    - Si el cortacéspedes o cualquier pieza de la unidad presenta daños o no funciona correctamente, llévalo a un concesionario de servicio STIHL autorizado. No use el cortacéspedes hasta que el problema se haya solucionado.
  - Nunca use el cortacéspedes si tiene la bolsa para pasto dañada.
    - Inspeccione la bolsa para pasto con frecuencia y sustitúyala con un repuesto autorizado si muestra señales de desgaste o deterioro.
  - Antes de colocar la batería:
    - Revise si hay corrosión o materias extrañas en los contactos del compartimiento de la batería y manténgalos limpios.
    - Nunca inserte o use una batería defectuosa, dañada, agrietada, deformada o que pierda líquido.
    - Lea y atégase a las instrucciones de encendido del cortacéspedes,  15.1.
  - Para reducir el riesgo de lesiones personales graves o la muerte a causa de arranques accidentales:
    - Asegúrese de que la palanca de interruptor y su bloqueo estén en la posición de apagado al colocar la batería.
    - Evite tocar la palanca de interruptor y su bloqueo cuando sujete el mango del cortacéspedes.
    - Suelte la palanca de interruptor y su bloqueo antes de sacar la batería.
- 
  - Extraiga la llave fusible y la batería antes de armar, transportar, ajustar, inspeccionar, limpiar, darle mantenimiento o guardar el cortacéspedes y cuando no esté en uso.
- No deje el cortacéspedes desatendido si tiene la batería colocada.
  - Nunca guarde la batería en el cortacéspedes.
- Antes de encender el cortacéspedes, efectúe los pasos siguientes para reducir el riesgo de lesiones personales causadas por objetos lanzados, la pérdida del control o el contacto accidental con la cuchilla corte:
    - Asegúrese de que la cuchilla de corte esté alejada de su persona y de las demás obstrucciones y objetos, incluido el suelo.
    - Lea y atégase a las instrucciones de encendido del cortacéspedes,  15.1.

## PELIGRO

- Para reducir el riesgo de electrocución:

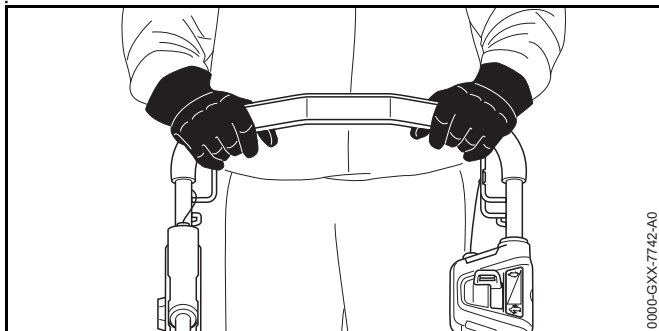


- Nunca utilice este cortacéspedes cerca de alambres o cables que puedan tener corriente eléctrica.
- No confíe en el aislamiento del cortacéspedes como protección contra descargas eléctricas.

## 5.7.2 Cómo sostener y controlar el cortacésped

### ⚠ ADVERTENCIA

- Para mantener un agarre firme y controlar apropiadamente su cortacésped:
  - Opere el cortacésped a paso de caminata en todo momento, nunca corra.
  - Mantenga los mangos limpios y secos en todo momento. Manténgalos libres de humedad, alquitrán, aceite, grasa y resina.
- El manejo del cortacésped con una sola mano puede provocar una pérdida de control y es extremadamente peligroso. Para reducir el riesgo de que el operador o las personas presentes sufran lesiones graves o mortales a causa de una pérdida de control:
  - Nunca intente manejar el cortacésped con una sola mano.



- Para reducir el riesgo de que el operador o las personas presentes sufran lesiones graves o mortales a causa de una pérdida de control:
  - Siempre sostenga el cortacésped firmemente con ambas manos mientras esté trabajando.
  - Rodee el mango firmemente con sus dedos, manteniendo el mango, el interruptor y la palanca de autopropulsión entre su pulgar y su índice (véase la ilustración).
  - Active la función de autopropulsión después de encender el cortacésped.

- No use el cortacésped para transportar personas u objetos.
- No fije objetos al mango.

- Para reducir el riesgo de que el operador o las personas presentes sufran lesiones graves o mortales a causa de un contacto con la cuchilla de corte:
  - Mantenga las manos, pies los y otras partes del cuerpo lejos de la cuchilla de corte.



- Nunca toque una cuchilla de corte en movimiento con su mano o cualquier otra parte de su cuerpo.



- Nunca intente retirar la hierba cortada u otros residuos de la cuchilla de corte o de los canales de expulsión sin antes apagar el robot cortacéspedes y retirar la llave de fusible y la batería.

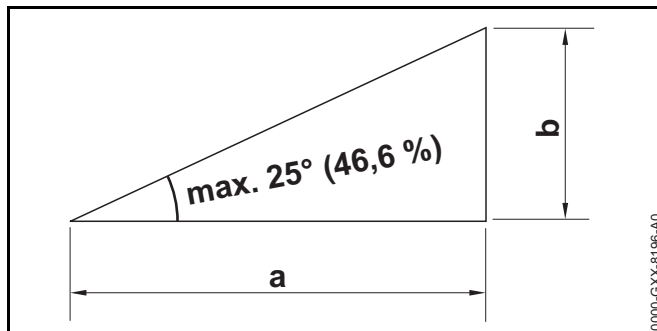
- No toque la cuchilla de corte mientras la batería o la llave de fusible están insertadas en el cortacésped.

- Para reducir el riesgo de que el operador o los transeúntes sufran lesiones graves o mortales por cortes a causa de una pérdida de control, pise con cuidado y mantenga un equilibrio adecuado en todo momento:
  - Nunca trabaje con el cortacésped bajo la lluvia o en condiciones húmedas o muy mojadas.
  - Asegúrese de mantener un buen equilibrio y de pisar de manera segura en todo momento.
  - Tenga especial cuidado en terrenos muy cubiertos de vegetación y esté siempre atento a obstáculos ocultos como tocones de árboles, raíces, piedras y zanjas de manera de evitar tropezones.
  - Sea extremadamente precavido cuando trabaje en pendientes o terreno irregular.
  - Para pisar de manera más segura, despeje siempre las ramas caídas, los matorrales, los recortes y otros materiales, objetos o vegetación que puedan aumentar el riesgo de resbalar, tropezar o caer.
  - No se sobreextienda.

- Para reducir el riesgo de que el operador o las personas presentes sufran lesiones graves a causa de una pérdida de control:



- No corte cerca de caídas, zanjas o taludes. Podría perder el equilibrio.
- Sea extremadamente precavido cuando trabaje en pendientes o terreno irregular. No use el cortacésped en pendientes excesivamente inclinadas. Las pendientes son un factor determinante en relación con los accidentes por resbalones y caídas, que pueden provocar lesiones graves.
- Maneje este cortacésped únicamente en pendientes con inclinaciones de hasta 25°.
- Corte en paralelo a la pendiente, nunca hacia arriba o abajo. Preste especial atención cuando cambie de dirección en las pendientes.
- No tire del cortacésped hacia atrás a no ser que sea absolutamente necesario. Siempre mire hacia abajo y hacia atrás antes de y durante cualquier desplazamiento hacia atrás.



Una inclinación de 25° representa una inclinación vertical de  $b = 18.3$  pulg. (46.6 cm) a una longitud horizontal de  $a = 39.4$  in. (100 cm).

### 5.7.3 Condiciones de trabajo

## ▲ ADVERTENCIA

- Utilice el cortacéspedes solamente en condiciones de buena visibilidad y a la luz del día.
  - Posponga los trabajos si el tiempo está ventoso, con neblina, lluvioso o inclemente.
  - Nunca use el cortacéspedes con pasto húmedo. No corte el pasto si está húmedo.
  - No use el cortacéspedes si existe el riesgo de relámpagos.
- El cortacéspedes es una máquina para una sola persona.
  - No se debe permitir la proximidad de otras personas, especialmente de niños, ni de animales en los lugares donde se esté utilizando la máquina.
  - Apáguela de inmediato si otra persona se le acerca.
- Para reducir el riesgo de lesiones a los espectadores y usuarios no autorizados:
  - No deje el cortacéspedes desatendido si tiene la llave fusible y la batería colocadas.
  - Apague el cortacéspedes y quite la llave fusible y la batería durante los descansos y en cualquier momento en que el cortacéspedes no se utilice.

- El motor propulsor no es a prueba de agua.
  - Nunca trabaje con el cortacéspedes bajo la lluvia o en lugares muy húmedos o mojados.
- Las chispas generadas durante el funcionamiento del cortacéspedes pueden encender gases, líquidos, vapores, polvos u otros materiales y sustancias combustibles. Para reducir el riesgo de incendio y explosión:
  - No ponga en funcionamiento el cortacéspedes en un lugar donde haya gases, líquidos, vapores, polvos u otros materiales y sustancias combustibles.
  - Lea y atégase a las recomendaciones dadas por autoridades gubernamentales (por ejemplo, OSHA) para identificar y evitar los peligros que representan gases combustibles, líquidos, vapores, polvos y otros materiales y sustancias combustibles.
- Si la cuchilla metálica en movimiento choca contra una roca u otro objeto macizo, se podrían despedir chispas capaces de encender materiales inflamables en determinadas circunstancias. Entre los materiales inflamables se incluyen la vegetación y matorrales secos, en particular cuando el estado del tiempo es caliente y seco.
  - Si existe un riesgo de incendio leve o grave, no use el cortacéspedes en torno a materiales inflamables, ni para cortar vegetación o arbustos secos.
  - Comuníquese con las autoridades locales de control de incendios o con el servicio forestal de los EE.UU. si tiene alguna duda en cuanto a las condiciones de la vegetación y el estado del tiempo para el uso de una cuchilla metálica.
- El uso de este cortacéspedes puede generar polvo y otras sustancias que contienen productos químicos considerados como causantes de enfermedades respiratorias, cáncer, defectos congénitos u otros problemas reproductivos.
  - Consulte con agencias gubernamentales tales como EPA, OSHA, CARB y NIOSH, al igual que otras fuentes fidedignas sobre materiales peligrosos si desconoce los riesgos asociados con las sustancias particulares que está cortando o con las cuales está trabajando.
- La inhalación de ciertos polvos, especialmente los polvos orgánicos, tales como el moho o polen, puede provocar reacciones alérgicas o asmáticas en las personas sensibles. La inhalación repetida o de grandes cantidades de polvo u otros contaminantes del aire, especialmente los de partículas pequeñas, puede causar enfermedades respiratorias o de otro tipo.
  - Controle el polvo en su fuente, siempre que sea posible.
  - En la medida de lo posible, procure que el viento o el proceso de operación alejen el polvo, vapor u otras partículas generados por el cortacéspedes del lugar donde se encuentra el operador.
  - Si no es posible mantener el polvo inhalable y otras partículas a niveles de fondo o aproximadamente de fondo, siempre utilice una mascarilla aprobada por NIOSH y con capacidad adecuada para las condiciones específicas del sitio. Siga las recomendaciones dadas por entidades gubernamentales (por ejemplo: OSHA/NIOSH) y asociaciones laborales y comerciales.
- Si la vegetación que corta o el terreno están cubiertos por una sustancia química, como un pesticida, fertilizante o herbicida:
  - Lea y siga las instrucciones y advertencias que acompañan a la sustancia que cubre la vegetación o el terreno.

#### 5.7.4 Instrucciones de manejo

### ADVERTENCIA

- En caso de una emergencia, apague el motor de inmediato y saque la llave fusible y la batería.



- La cuchilla sigue girando por un período breve después que se suelta la palanca de interruptor. Esto se conoce como el "efecto de volante". Para reducir el riesgo de lesiones personales graves, evite el contacto con la cuchilla de corte:
  - Espere a que se detenga la cuchilla de corte antes de levantar o trasladar el cortacésped.
- La plataforma del cortacésped no protege al operador contra todos los objetos extraños (gravilla, vidrio, alambre, etc.) arrojados por la cuchilla giratoria. Los objetos arrojados o lanzados por el accesorio también pueden rebotar y golpear al operador, a otras personas o a propiedades.
  - Evite descargar los materiales contra una pared o un obstáculo.
- La cuchilla de corte giratoria puede arrojar objetos extraños a gran distancia directa o indirectamente. Los objetos lanzados, incluso las cuchillas de corte rotas, pueden provocar lesiones graves o mortales al operador o a las personas que se encuentren en la zona. Para reducir el riesgo de lesiones personales graves:



- Revise la zona de trabajo. Retire las piedras, vidrio, rocas, piezas metálicas y otros objetos que pudieran ser lanzados por la cuchilla de corte, dañar la cuchilla o causar daños a la propiedad (por ejemplo: vehículos estacionados, ventanas).



- Siempre use protección adecuada para los ojos y mantenga a los espectadores a no menos de 15 m (50 pies) de distancia de la zona de trabajo. Toda persona que deba ingresar al área restringida también debe usar protección para ojos adecuada.

- Manténgase detrás del mango cuando el motor esté en marcha o la cuchilla de corte esté en movimiento.

- Para reducir el riesgo de daños a la propiedad, mantenga esta distancia con respecto a los vehículos y las ventanas.
- Guardar una distancia mínima de 15 m (50 pies) no elimina el riesgo potencial de lesiones personales y daños a la propiedad causados por objetos lanzados.
- Apague el motor de inmediato si alguna persona se le acerca mientras está trabajando con el cortacésped.
- Nunca dirija el material despedido hacia alguna persona.
- Nunca use el cortacésped sin tener colocada la bolsa para pasto o la cubierta de descarga trasera en su lugar y en buenas condiciones. Compruebe que todos los dispositivos de seguridad estén en su lugar antes de comenzar el trabajo.
- Nunca use el cortacésped sin tener la cubierta de descarga lateral cerrada o la guía de descarga lateral en su lugar.

- Para reducir el riesgo de lesiones personales graves a causa de arranques accidentales:



- No coloque las manos ni los pies ni cerca ni debajo de la máquina. Manténgase alejado de la abertura de descarga en todo momento.



- No toque la cuchilla de corte con la mano u otra parte del cuerpo cuando la llave fusible y la batería están colocadas, aunque la cuchilla de corte no esté girando. Mantenga a las demás personas a no menos de 15 m (50 pies) de distancia.



- Si la cuchilla de corte o los tubos de descarga se contaminan, se obstruyen o se atascan, siempre apague el motor, asegúrese de que al cuchilla de corte se haya detenido y saque la llave fusible y la batería antes de inspeccionar la cuchilla. Elimine la suciedad, el pasto, las malezas y otro material de la cuchilla de corte y el deflector a intervalos regulares, pero solo después de haber sacado la llave fusible y la batería.
- Para reducir el riesgo de causarle una sobrecarga térmica al motor y dañar el cortacéspedes:
  - No encienda el cortacéspedes sobre pasto alto.
  - No sobrecargue el cortacéspedes con pasto muy alto o muy grueso durante el uso hasta el punto que el motor pierda velocidad. Si el motor suena forzado o pierde velocidad por la altura o la cantidad de la hierba cortada, eleve la cuchilla o reduzca la velocidad de avance.
  - No encienda y apague el cortacéspedes frecuentemente en un período breve.
- Una cuchilla de corte dañada o floja puede vibrar, agrietarse, romperse o salirse del cortacéspedes, lo que podría provocar lesiones graves o mortales.
  - Antes de comenzar el trabajo, examine la cuchilla. Si la cuchilla presenta daños o roturas, sustitúyala de inmediato. Si el filo de la cuchilla está romo o tiene melladuras, solicite el afilado y equilibrado de la cuchilla o sustitúyala.
  - Si la cuchilla de corte se afloja después de haberla ajustado correctamente, deje de trabajar de inmediato y lleve el cortacéspedes a un concesionario de servicio autorizado de STIHL iMow para que lo repare.
  - No use nunca un cortacéspedes con una cuchilla de corte floja o averiada.



- Nunca utilice este cortacéspedes cerca de alambres o cables que puedan tener corriente eléctrica.
- No confíe en el aislamiento del cortacéspedes como protección contra descargas eléctricas.

## 6 Seguridad de la batería

### 6.1 Advertencias e instrucciones

#### **⚠ ADVERTENCIA**

- El uso de baterías no autorizadas puede dañar el cortacésped y provocar un incendio o una explosión además de lesiones personales y daños materiales.
  - Use únicamente baterías genuinas de la serie STIHL AK.
- El uso de baterías de la serie STIHL AK para cualquier otro propósito que no sea alimentar herramientas STIHL puede ser extremadamente peligroso.
  - Use baterías de la serie STIHL AK únicamente para alimentar herramientas STIHL compatibles.
- El uso de cargadores no autorizados puede dañar la batería y provocar un incendio o una explosión además de lesiones personales y daños materiales.
  - Use únicamente cargadores genuinos de las series STIHL AL 101, AL 300 o AL 500 para cargar baterías de la serie STIHL AK.
- La batería contiene características de seguridad y dispositivos que, si se dañan, pueden permitir que esta genere calor, se rompa, sufra fugas, se incendie o explote.

#### **⚠ PELIGRO**

- Para reducir el riesgo de electrocución:



- Nunca caliente la batería por encima de 212 °F (100 °C).
  - Nunca incinere ni coloque la batería en ni cerca de fuegos, estufas u otras fuentes de alta temperatura.
  - Nunca use o cargue una batería averiada, dañada, con fisuras, con fugas o deformada.
  - Nunca abra, desmonte, aplaste, deje caer, someta a impactos fuertes ni dañe de ningún otro modo la batería.
  - Nunca esponga la batería a microondas ni a altas presiones.
  - Nunca inserte objetos en las ranuras de ventilación de la batería.
- Las temperaturas extremas pueden hacer que la batería genere calor, se rompa, sufra fugas, se incendie o explote y provoque lesiones graves o mortales y daños materiales. La exposición a temperaturas por fuera del rango de temperatura recomendado también pueden reducir la vida útil y el rendimiento de la batería.



- Use y almacene la batería únicamente dentro de un rango de temperatura ambiente de 14 °F a 122 °F (-10 °C a 50 °C).
  - Nunca almacene la batería expuesta de manera directa a la luz del sol o dentro de un vehículo en un clima caluroso.
- Para reducir el riesgo de lesiones personales y de daños materiales en caso de que la batería emita humo, un olor fuera de lo común o parezca inusualmente caliente durante su uso, carga o almacenamiento:
- Interrumpa de inmediato el uso o la carga de la batería. Contacte a las autoridades en caso de incendio o explosión.
- Para reducir el riesgo de un cortocircuito, que podría provocar electrocución, incendios o explosiones:



- Mantenga la batería seca. Protéjala de la lluvia, el agua, los líquidos y la humedad.
  - Nunca sumerja la batería en agua u otros líquidos.
  - Nunca puentee los terminales de la batería con cables ni con otros objetos metálicos.
  - Mantenga una batería que no está en uso alejada de objetos metálicos (por ej. de sujetapapeles, clavos, monedas o llaves).
  - Nunca transporte ni almacene la batería en un recipiente metálico.
  - Almacene la batería bajo techo en un ambiente seco.
  - Nunca almacene la batería en entornos húmedos o corrosivos o en condiciones que pudieran provocar la corrosión de sus componentes metálicos.
  - Nunca almacene la batería en el cortacésped o en el cargador.
  - Proteja la batería contra la exposición a agentes corrosivos como productos químicos para el jardín y sales descongelantes.
  - Proteja la batería contra la exposición a líquidos conductores como el agua salada.
  - No intente reparar, abrir o desmontar la batería. No hay piezas reemplazables por el usuario en el interior.
- Las fugas de líquido de batería son potencialmente perjudiciales y pueden provocar irritación en la piel y en los ojos, quemaduras químicas y otras lesiones personales graves.
- Evite el contacto con la piel y los ojos.
  - Para derrames de líquido de batería use un absorbente inerte como arena.
  - En caso de contacto accidental, enjuague minuciosamente y de inmediato el área de contacto con jabón suave y agua.

- Si se le mete líquido en los ojos: no se frote. Enjuague con agua los ojos abiertos durante al menos 15 minutos y busque atención médica.
- Un incendio de batería puede ser peligroso. Para reducir el riesgo de graves lesiones personales y daños materiales en caso de incendio:
  - Evacue el área. El fuego puede extenderse rápidamente. Aléjese de cualquier vapor generado por el incendio y mantenga una distancia prudente.
  - Póngase en contacto con los bomberos.
  - Aunque se puede usar agua para apagar un incendio de batería, es preferible el uso de un extintor de polvo multipropósito.
  - Consulte a los bomberos con respecto a la eliminación adecuada de la batería incendiada.
- Dejar caer la batería puede resultar en lesiones personales o daños materiales. Para evitar que la batería caiga durante su extracción:
  - Coloque el cortacésped sobre una superficie plana.
  - Tenga cuidado al expulsar la batería.

## 7 Mantenimiento, reparación y almacenamiento

### 7.1 Advertencias e instrucciones

#### **▲ ADVERTENCIA**

- El usuario no tiene autorización para realizar reparaciones en la batería o el cortacésped. Para reducir el riesgo de incendio, descarga eléctrica u otras lesiones personales y daños materiales:
  - Los usuarios solo pueden llevar a cabo los trabajos de limpieza y de mantenimiento que se describen en este manual.
  - Siga estrictamente las instrucciones de limpieza y mantenimiento presentes en los apartados apropiados de este manual de instrucciones.

- Nunca intente reparar una cuchilla de corte dañada o rota. Esto puede hacer que se desprendan piezas rotas y provoquen lesiones graves o mortales.
- Utilice siempre guantes de trabajo antideslizantes para trabajo pesado cuando manipule las cuchillas de corte.
- STIHL recomienda que todos los trabajos de reparación sean realizados por concesionarios de servicio autorizados de STIHL.
- Mantenga y reemplace las etiquetas de advertencia e instrucciones, según sea necesario.
- Una puesta en marcha accidental puede resultar en lesiones personales o daños materiales. Para reducir el riesgo de lesiones personales y daños materiales a causa de una puesta en marcha accidental:








- Retire la llave de fusible y la batería antes de inspeccionar el cortacésped o realizar trabajos de limpieza, mantenimiento o reparación, antes de almacenarlo y en cualquier otro momento en que no esté en uso.
- La cuchilla de corte es la única pieza del cortacésped reemplazable por el usuario.
  - Cuando manipule la cuchilla de corte utilice guantes de trabajo antideslizantes para trabajo pesado de cuero u otro material resistente al desgaste.
  - Reemplace la cuchilla de corte una vez que se desgaste o si presenta daños.
  - Apriete todas las tuercas, los pernos y los tornillos después de reemplazar la cuchilla de corte.

- El uso de piezas no autorizadas o aprobadas por STIHL puede ocasionar tanto lesiones graves o mortales como daños materiales.
  - STIHL recomienda que para las reparaciones o el mantenimiento se utilicen únicamente piezas de repuesto idénticas de STIHL.
- Un almacenamiento inadecuado puede resultar en el uso no autorizado, en daños en el cortacésped, su batería integrada y su estación de carga además de un mayor riesgo de incendio, electrocución y otras lesiones personales o daños materiales.
  - Retire la llave de fusible y la batería del cortacésped antes de almacenarlo.
  - Nunca almacene el cortacésped con la llave de fusible o la batería insertadas.
  - Almacene el cortacésped y la estación de carga a cubierto en un lugar seco, seguro y fuera del alcance de los niños o de usuarios no autorizados.




## 8 Antes de empezar a trabajar

### 8.1 Preparación del cortacéspedes para el funcionamiento




Antes de empezar a trabajar:

- ▶ Cargue la batería completamente,  9.2.
- ▶ Instale el mango,  11.1.
- ▶ Despliegue y ajuste el mango,  12.1.
- ▶ Ajustar la altura de corte,  18.1.
- ▶ Compruebe el buen funcionamiento y condición de los controles,  17.1.




#### Para cortar el césped y colocar el pasto picado en la bolsa:

- ▶ Retire el tubo de descarga lateral,  11.4.2.
- ▶ Retire el accesorio de mullido,  11.3.2.
- ▶ Coloque la bolsa para pasto,  11.2.1.

#### Para cortar el césped y descargar el pasto picado hacia un costado:

- ▶ Retire el accesorio de mullido,  11.3.2.
- ▶ Quite la bolsa para pasto,  11.2.2.
- ▶ Instale el tubo de descarga lateral,  11.4.1.

#### Para el mullido:

- ▶ Retire el tubo de descarga lateral,  11.4.2.
- ▶ Quite la bolsa para pasto,  11.2.2.
- ▶ Monte el accesorio de mullido,  11.3.1.

## 9 Carga de la batería

### 9.1 Preparación del cargador para el funcionamiento

#### ADVERTENCIA

Lea y atégase a las precauciones de seguridad dadas en la batería y en el cargador y todas las advertencias e instrucciones que acompañan a dichos productos. Para reducir el riesgo de cortocircuito, que podría provocar una descarga eléctrica, un incendio y una explosión, asegúrese de que el cargador y sus componentes estén secos y no estén dañados; opere el cargador puertas adentro a la temperatura ambiente adecuada.

#### ADVERTENCIA

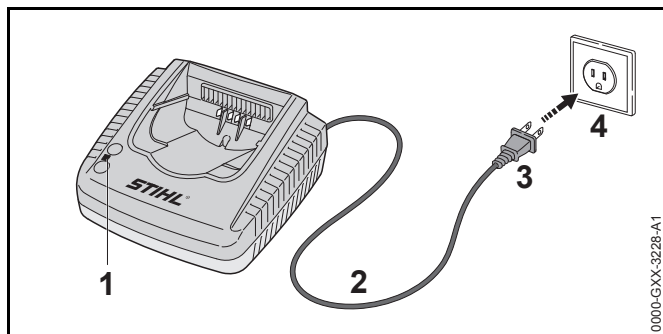
Un circuito eléctrico doméstico típico suministra entre 15 y 20 amperios. Un cargador STIHL AL 500 consume aproximadamente 4,8 A. Un cargador AL 300 consume aproximadamente 4,4 A. Para reducir el riesgo de incendios causados por la sobrecarga de un circuito eléctrico:

- ▶ Compruebe que el circuito eléctrico tenga capacidad suficiente para suministrar el consumo eléctrico anticipado antes de cargar la batería.
- ▶ Cargue varias baterías una por una, o en circuitos separados, a menos que se sepa que el circuito es capaz de soportar el consumo total anticipado de varios cargadores.

## **⚠** ADVERTENCIA

Dado que el cargador se calienta durante el proceso de carga, no haga funcionar el cargador sobre superficies que puedan incendiarse o en un lugar donde haya gases, líquidos, vapores, polvo u otros materiales y sustancias combustibles.

Para preparar el cargador para el funcionamiento:



- ▶ Conecte el enchufe (3) a un tomacorriente de pared (4) debidamente instalado que suministre el voltaje y frecuencia indicados en la chapa de información del cargador.

El cargador ejecutará una autoprueba inmediatamente después de enchufarlo. El LED del cargador (1) se iluminará en verde durante 1 segundo aproximadamente, y luego en rojo por un lapso breve hasta apagarse. Una vez que el LED se apaga, la autoprueba ha finalizado y el cargador está listo para cargar la batería.

- ▶ Ubique el cordón eléctrico (2) como para que no se lo pise, cause tropezos, esté en contacto con objetos cortantes o partes móviles o, de otro modo sujeto, a daño o esfuerzo.

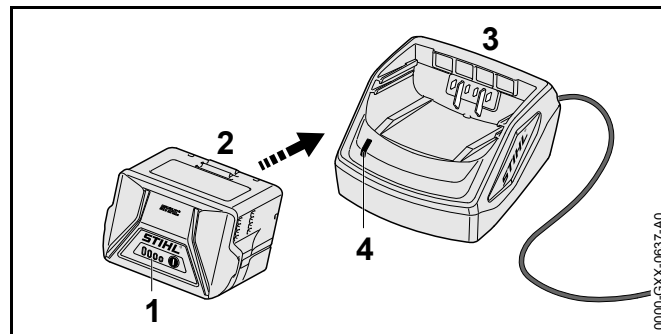
## 9.2 Carga

### **⚠** ADVERTENCIA

Las baterías STIHL contienen características de seguridad y dispositivos que, si se dañan, pueden permitir que la batería genere calor, se rompa, sufra fugas, se incendie o

explote. Nunca cargue una batería averiada, dañada, con fisuras, con fugas o deformada. Para uso exclusivo en interiores. Mantenga el cargador seco. Protéjalo de la lluvia, el agua, los líquidos y la humedad. Nunca inserte una batería mojada. Nunca use un cargador mojado, 6.

Para cargar la batería:



- ▶ Empuje la batería (2) en el cargador (3) hasta que se detenga. El LED en el cargador (4) se ilumina en verde mientras la batería se está cargando.

Los LEDs (1) en la batería se iluminan en verde y muestran el estado de carga.

Cuando los LEDs en la batería se apagan, el proceso de carga se ha completado y el cargador se apagará automáticamente. La batería puede retirarse del cargador.

- ▶ Desconecte el cable de la fuente de alimentación del tomacorriente cuando el cargador no esté en uso.

Las baterías no están cargadas por completo cuando salen de fábrica. STIHL recomienda que cargue la batería por completo antes de usarla por primera vez.

Use el cargador únicamente en interiores, en espacios secos y dentro de un rango de temperatura ambiente de 41 °F a 104 °F (5 °C a 40 °C).

La batería se calienta durante el uso del cortacésped. Si se inserta una batería caliente en el cargador, puede que sea necesario que se enfríe antes de que comience la carga. El proceso de carga comienza únicamente después de que la batería se ha enfriado lo suficiente.

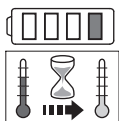
El tiempo de carga depende de varios factores, incluyendo la condición de la batería y la temperatura ambiente. Para consultar una lista completa de tiempos de carga aproximados, vea [www.stihl.com/charging-times](http://www.stihl.com/charging-times).

## 10 Diagnóstico de LED

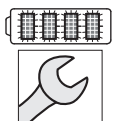
### 10.1 LED en la batería

#### 10.1.1 Estado de la batería

Cuatro LED muestran el estado de la batería. Estos LED pueden encenderse o destellar en verde o rojo.



**Si un LED se enciende en rojo continuamente**, la batería está demasiado caliente o demasiado fría. Deje que la batería se caliente o se enfríe gradualmente a una temperatura ambiente de aproximadamente 10 °C a 20 °C (50 °F a 68 °F).



**Si los cuatro LED destellan en rojo**, la batería está averiada y debe reemplazarse. No intente cargar, usar ni guardar la batería.

#### 10.1.2 Estado del cortacésped

Cuando la batería se coloca en el cortacésped, los mismos LED en la batería indicarán el estado del cortacésped.

**Si tres LED se encienden en rojo continuamente**, el motor del cortacésped está demasiado caliente. Deje que el motor se enfríe.

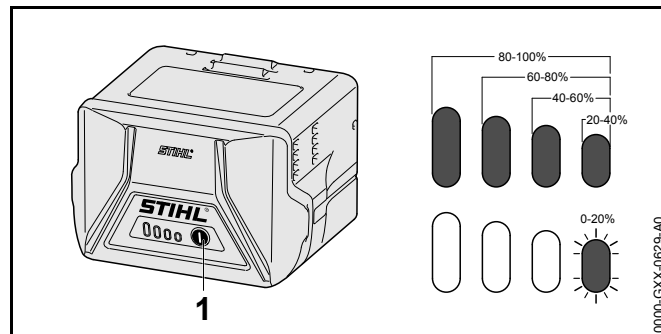
**Si tres LED destellan en rojo cuando activa el gatillo**, el cortacésped tiene un defecto eléctrico. No use el cortacésped. Solicite a un concesionario de servicio STIHL autorizado que la revise antes de usarlo.

Para información de localización de averías, 24.

#### 10.1.3 Estado de carga

Los LED en la batería también muestran el estado de carga de la batería.

Para determinar el estado de carga de la batería:



- Presione el botón (1) en la batería. Los LED de la batería se encenderán o destellarán en verde por unos 5 segundos e indicarán el estado de carga (vea la ilustración).

**Por ejemplo:**

**Si cuatro LED se encienden en verde continuamente**, la carga está completa.

**Si un LED destella en verde**, queda menos del 20 % de la carga.

## 11 Armado del cortacéspedes –

### 11.1 Montaje del mango

#### **!** ADVERTENCIA

Antes de comenzar el armado, asegúrese de que la llave fusible y la batería no estén colocadas.




#### **!** ADVERTENCIA

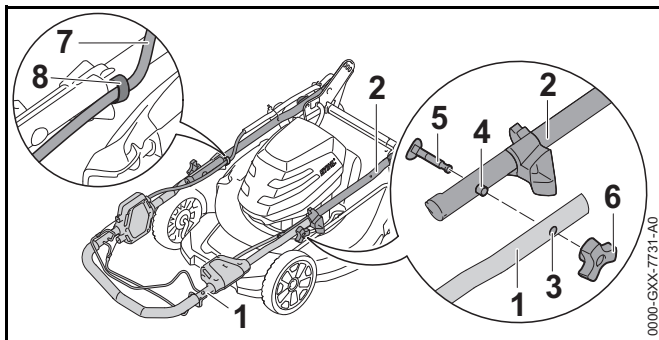
Para reducir el riesgo de lesionarse por la pérdida de control, comprobar que el mango esté montado de manera correcta y segura antes de empezar a trabajar. El mango inferior y el mango superior pueden plegarse después de haber aflojado sus pomos. Compruebe que los pomos estén apretados bien firmes. Sujete el mango en el punto más alto con una mano y gire los pomos de bloqueo. Tenga sumo cuidado y evite que sus dedos queden atrapados entre las piezas.

#### **!** ADVERTENCIA

Para reducir el riesgo de atraparse los dedos entre los componentes, sujete el mango en su punto más alto con una mano mientras se aflojan los pomos.

Para montar el mango:

- ▶ Apague el cortacéspedes,  15.2.
- ▶ Extraiga la llave fusible y la batería,  13.2 y  14.2.
- ▶ Coloque el cortacéspedes en una superficie nivelada.




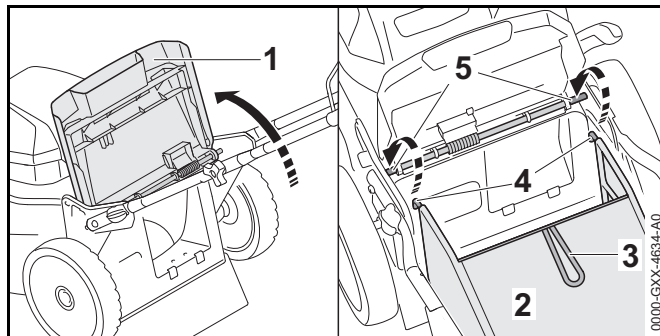
- ▶ Alinee la parte superior (1) del mango con la inferior (2) de modo que el pasador (4) se enganche en la cavidad (3) en los dos lados.
- ▶ Inserte el tornillo (5) y alinéelo de modo que su cabeza quede a ras con la parte inferior del mango en ambos lados..
- ▶ Enrosque el pomillo (6) en su lugar.
- ▶ Presione el cable (7) para meterlo en su sujetador (8) en ambos lados.

### 11.2 Instalación y retiro de la bolsa para pasto

#### 11.2.1 Montaje de la bolsa para pasto

Para montar la bolsa para pasto:

- ▶ Apague el cortacéspedes y espere a que la cuchilla de corte se detenga por completo,  15.2.
- ▶ Coloque el cortacéspedes en una superficie nivelada.
- ▶ Si la cubierta de descarga lateral está montada, retírela.
- ▶ Si el tapón del accesorio de mullido está montado, quítelo.




- ▶ Abra la cubierta de descarga trasera (1) y sujétela en posición.
- ▶ Sujete la bolsa para pasto (2) por su mango (3) y enganche los ganchos (4) en la barra (5).
- ▶ Cierre la cubierta de descarga trasera.



### 11.2.2 Retiro de la bolsa para pasto




Para retirar la bolsa para pasto:

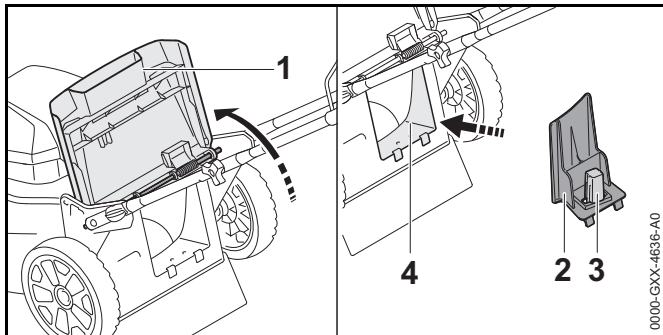
- ▶ Apague el cortacéspedes y espere a que la cuchilla de corte se detenga por completo,  15.2.
- ▶ Coloque el cortacéspedes en una superficie nivelada.
- ▶ Abra la cubierta de descarga trasera y sujétela en posición.
- ▶ Sujete la bolsa para pasto por su mango y levántela para desengancharla.
- ▶ Cierre la cubierta de descarga trasera.

## 11.3 Colocación y retiro del accesorio de mullido

### 11.3.1 Instalación del accesorio de mullido

Para instalar el accesorio de mullido:




- ▶ Apague el cortacéspedes,  15.2.
- ▶ Extraiga la llave fusible y la batería,  13.2 y  14.2.
- ▶ Coloque el cortacéspedes en una superficie nivelada.



- ▶ Abra la cubierta de descarga trasera (1) y sujétela en posición.
- ▶ Sujete el accesorio de mullido (2) por su mango (3) y colóquelo de manera segura en el tubo de descarga trasero (4).
- ▶ Cierre la cubierta de descarga trasera.

### 11.3.2 Retiro del accesorio de mullido




Para retirar el accesorio de mullido:

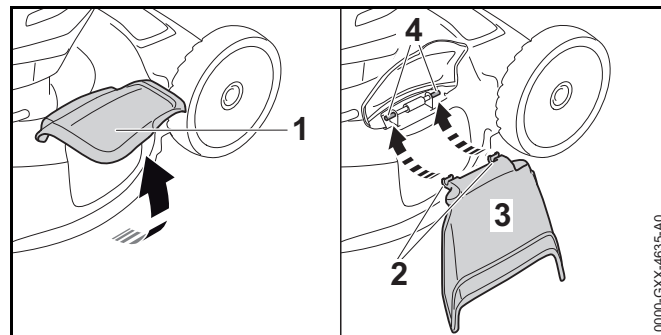
- ▶ Apague el cortacéspedes,  15.2.
- ▶ Extraiga la llave fusible y la batería,  13.2 y  14.2.
- ▶ Coloque el cortacéspedes en una superficie nivelada.
- ▶ Abra la cubierta de descarga trasera y sujétela en posición.
- ▶ Sujete el accesorio de mullido por su mango y extráigalo del tubo de descarga trasero.
- ▶ Cierre la cubierta de descarga trasera.

## 11.4 Montaje y retiro de la guía de descarga lateral

### 11.4.1 Instalación de la guía de descarga lateral

Para instalar la guía de descarga lateral:

- ▶ Apague el cortacéspedes,  15.2.
- ▶ Extraiga la llave fusible y la batería,  13.2 y  14.2.
- ▶ Coloque el cortacéspedes en una superficie nivelada.






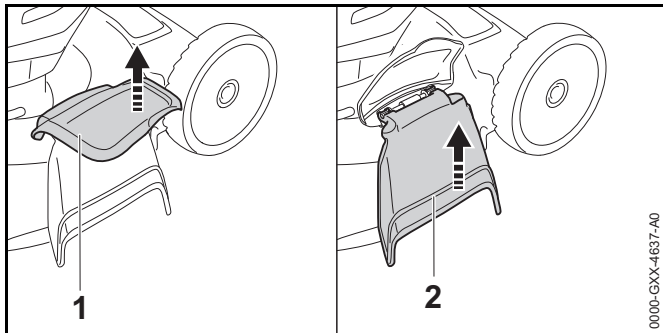
- ▶ Abra la cubierta de descarga lateral (1) y sujétela en posición.
- ▶ Alinee las muescas (2) de la guía de descarga lateral (3) debajo de los pasadores (4).
- ▶ Cierre la cubierta de descarga lateral.

El accesorio de mullido deberá estar en su lugar cuando se instala la guía de descarga lateral.

### 11.4.2 Retiro de la guía de descarga lateral

Para retirar la guía de descarga lateral:

- ▶ Apague el cortacéspedes,  15.2.
- ▶ Extraiga la llave fusible y la batería,  13.2 y  14.2.
- ▶ Coloque el cortacéspedes en una superficie nivelada.



- ▶ Abra la cubierta de descarga lateral (1) y sujétela en posición.
- ▶ Levante la guía de descarga lateral (2) para desengancharla.
- ▶ Cierre la cubierta de descarga lateral.




## 12 Ajuste del cortacéspedes –

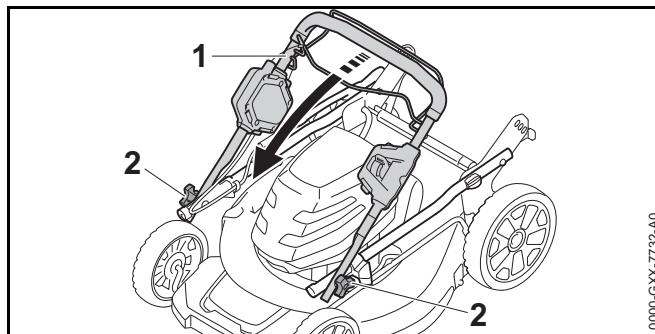
### 12.1 Despliegue y ajuste el mango

#### ADVERTENCIA

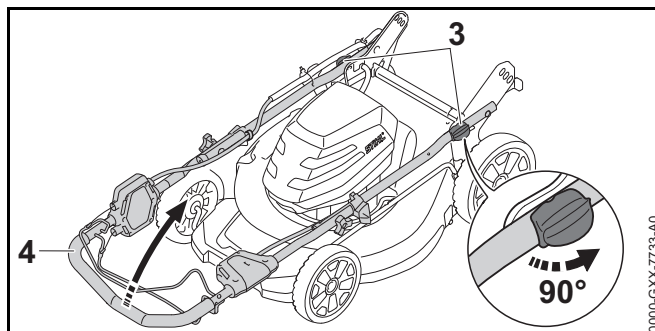
Asegúrese de no atrapar, doblar ni aplicarle esfuerzos a los cables de control al plegar o desplegar el mango. Si se daña el cable se podría afectar la activación y el funcionamiento del cortacéspedes y causar una condición insegura de funcionamiento.

Para desplegar el mango:

- ▶ Apague el cortacéspedes,  15.2.
- ▶ Extraiga la llave fusible y la batería,  13.2 y  14.2.
- ▶ Coloque el cortacéspedes en una superficie nivelada.



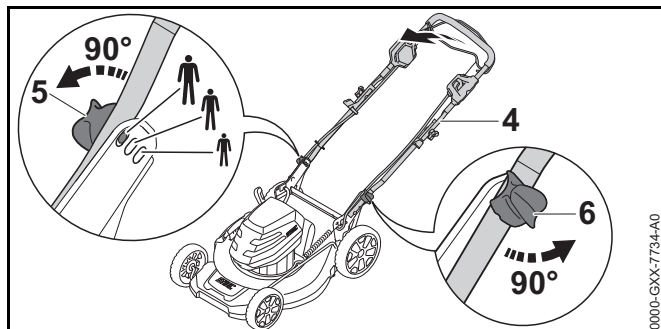
- ▶ Despliegue la parte superior del mango (1).
- ▶ Apriete los pomos (2).



- ▶ Gire los pomos del mango (3) en 90°
- ▶ Despliegue el mango (4) completamente.

El mango se puede montar de modo que se adapte a la altura y el alcance del operador.

Para ajustar el mango:



- ▶ Alinee el mango (4) de manera que los pernos de las palancas (5 y 6) queden alineados con la posición deseada.
- ▶ Gire los dos pomos del mango en 90°  
Los pernos de los dos pomos del mango se enganchan en agujeros en la misma posición.

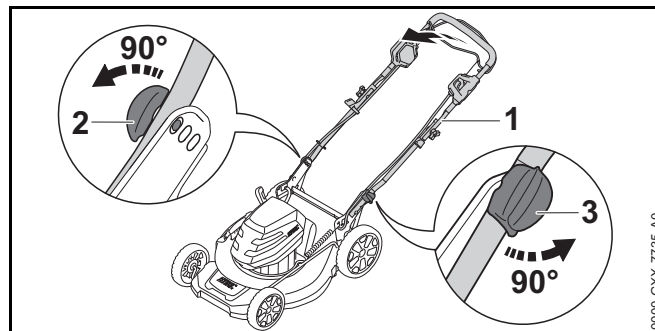
## 12.2 Plegado del mango

### **⚠ ADVERTENCIA**

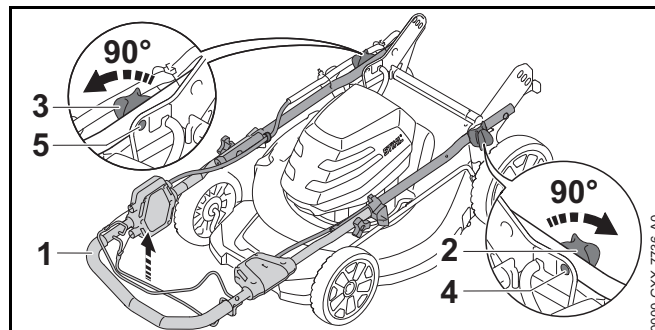
Asegúrese de no atrapar, doblar ni aplicarle esfuerzos a los cables de control al plegar o desplegar el mango. Si se daña el cable se podría afectar la activación y el funcionamiento del cortacéspedes y causar una condición insegura de funcionamiento.

Para plegar el mango:

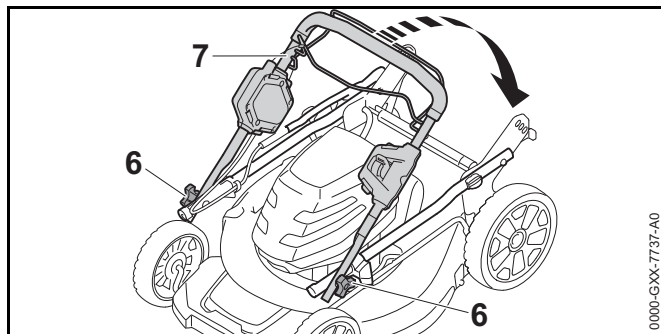
- ▶ Apague el cortacéspedes, 15.2.
- ▶ Extraiga la llave fusible y la batería, 13.2 y 14.2.
- ▶ Coloque el cortacéspedes en una superficie nivelada.



- ▶ Sujete el mango (1) y gire los dos pomos (2) en 90° uno después del otro.
- ▶ Pliegue el mango. Asegúrese de no atrapar ninguno de los cables al plegar el mango.



- ▶ Gire los dos pomos (2) del mango en 90°.
- ▶ Empuje el mango (1) hacia arriba hasta que los pernos (4 y 5) de los pomos (2 y 3) se enganchen y el mango quede bien fijado.



- ▶ Afloje los pomos (6).
- ▶ Sujete la parte superior (7) del mango. Asegúrese de no atrapar ninguno de los cables al plegar la parte superior del mango.

### INDICACIÓN

Asegúrese de no atrapar, doblar ni aplicarle esfuerzos a los cables de control al plegar o desplegar el mango. Si se daña el cable se podría afectar la activación y el funcionamiento del cortacéspedes.

## 13 Colocación y retiro de las llave fusible

### 13.1 Colocación de la llave fusible

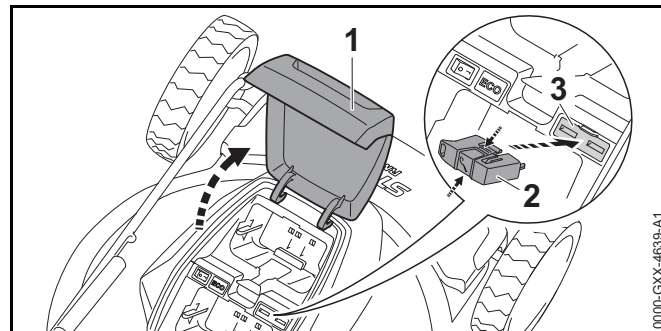
#### ⚠ ADVERTENCIA

Para reducir el riesgo de lesiones personales graves debido a una activación accidental, nunca guarde la llave fusible en el cortacéspedes.

Sólo es posible arrancar el motor cuando se ha colocado la llave fusible.

Para colocar la llave fusible:

- ▶ Coloque el cortacéspedes en una superficie nivelada.




- ▶ Levante la cubierta (1) del compartimento para la batería y sosténgala.
- ▶ Comprima la llave fusible (2) e insértela en el receptáculo (3) con una presión uniforme y constante hasta que se detenga. Cuando se inserta la llave fusible, la electricidad puede fluir desde la batería hasta el motor.
- ▶ Cierre la cubierta del compartimento de la batería.

### 13.2 Retiro de la llave fusible

#### ⚠ ADVERTENCIA

Para reducir el riesgo de sufrir lesiones personales graves debido a la activación accidental, siempre quite la llave fusible y la batería antes de armar, transportar, ajustar, limpiar, reparar o guardar el cortacéspedes o cuando no esté en uso.

Para retirar la llave fusible:



- ▶ Apague el cortacéspedes,  15.2.
- ▶ Coloque el cortacéspedes en una superficie nivelada.
- ▶ Levante la cubierta del compartimento para la batería y sosténgala.
- ▶ Retire la llave fusible con una presión uniforme y constante.
- ▶ Cierre la cubierta del compartimento de la batería.

- ▶ Guarde la llave fusible lejos del cortacésped, en un lugar seguro al que los niños y otras personas no autorizadas no puedan acceder.


## 14 Colocación y extracción de la batería.

### 14.1 Colocación de la batería

#### **⚠ ADVERTENCIA**

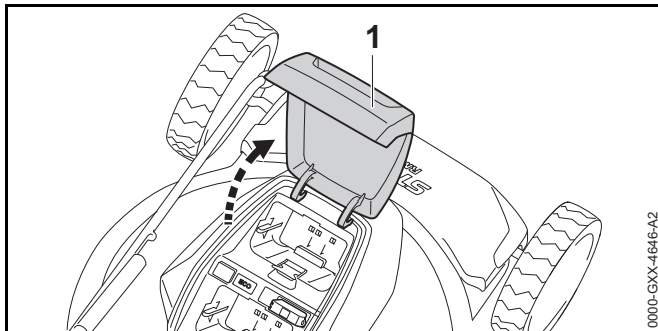
Nunca use una batería defectuosa, dañada, agrietada, que pierda líquido o esté deformada,  6. Utilice y guarde la batería únicamente a una temperatura ambiente de -10°C a 50°C (14°F a 122°F),  6.

#### **⚠ ADVERTENCIA**

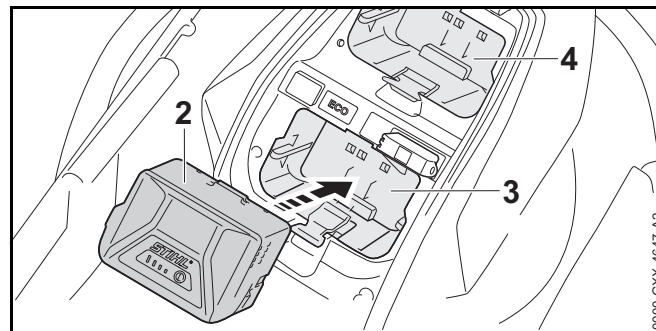
Para reducir el riesgo de activación accidental, nunca guarde la batería en el cortacésped,  21.2.

Para colocar la batería:


- ▶ Coloque el cortacésped en una superficie nivelada.



- ▶ Levante la cubierta (1) del compartimiento para la batería y sosténgala.



- ▶ Inserte la batería (2) en su compartimiento (3) hasta que haga tope.  
La batería se ha colocado correctamente cuando se escucha un clic y ésta queda al ras con la parte superior de la carcasa. En esta posición, hay contacto eléctrico entre la batería y el cortacésped.
- ▶ Si se usa una batería de reserva, inserte la batería de reserva en su compartimiento (4).
- ▶ Cierre la cubierta del compartimiento de la batería.

Debido a que las baterías nuevas no están completamente cargadas, STIHL recomienda cargarlas por completo antes de usarlas por primera vez,  9.2.

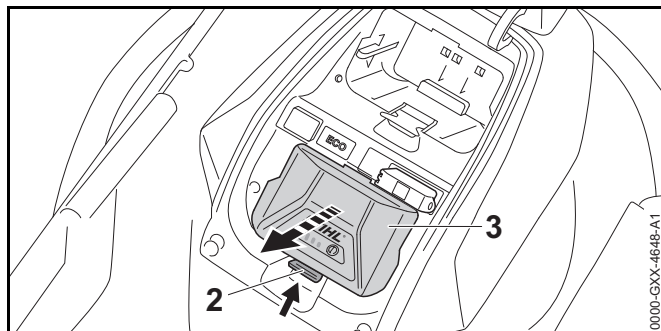
### 14.2 Extracción de la batería

#### **⚠ ADVERTENCIA**

Para reducir el riesgo de sufrir lesiones personales graves debido a la activación accidental, siempre quite la llave fusible y la batería antes de armar, transportar, ajustar, limpiar, reparar o guardar el cortacésped o cuando no esté en uso.

Para quitar la batería:

- ▶ Coloque el cortacésped en una superficie nivelada.
- ▶ Levante la cubierta del compartimiento para la batería y sosténgala.



- ▶ Presione la palanca de bloqueo (2) hacia abajo para sacar la batería (3) de su compartimento.
- ▶ Cierre la cubierta del compartimento de la batería.

### INDICACIÓN

Evite exponer la batería a calor excesivo o períodos prolongados de luz directa. El uso o el almacenamiento fuera del rango de temperatura ambiente recomendado pueden reducir el rendimiento o la vida útil de la batería.

## 15 Encendido y apagado del cortacéspedes

### 15.1 Encendido

#### ⚠ ADVERTENCIA

Para reducir el riesgo de que el operador o terceros sufran lesiones graves o mortales, mantenga las manos, los pies y cualquier otra parte del cuerpo alejados de la cuchilla de corte, 5.7.2. No toque la cuchilla de corte mientras la llave fusible o la batería está colocada.

#### ⚠ ADVERTENCIA

Nunca use el cortacéspedes si presenta daños, está mal ajustado o tiene mantenimiento deficiente, no ha sido armado de modo completo y seguro o no funciona debidamente, 5.6. Para reducir el riesgo de sufrir lesiones personales, use siempre ropa adecuada y trajes protectores, incluso protección para la vista, 5.5. Para

reducir el riesgo de sufrir lesiones graves o mortales por la pérdida del control, siempre sujete el cortacéspedes con ambas manos al trabajar, 5.7.2.

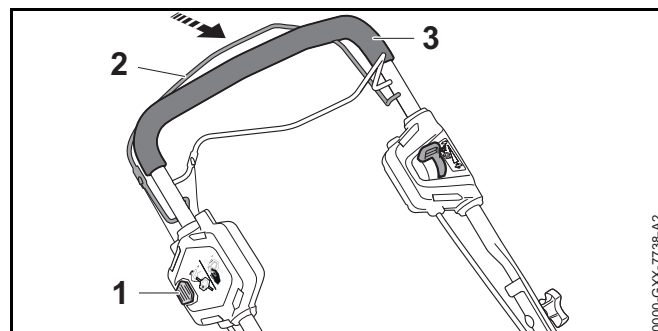
### INDICACIÓN

Para reducir el riesgo de causarle una sobrecarga térmica al motor y dañar el cortacéspedes, no lo encienda en pasto alto.

Antes de encender la máquina:

- ▶ Asegúrese de tener los pies bien apoyados.
- ▶ Párese derecho.
- ▶ Siempre sujete y maneje el cortacéspedes con las dos manos.

Para encender el cortacéspedes:



- ▶ Pulse el botón de bloqueo (1) de la palanca de interruptor con la mano derecha y sujételo en esa posición.
- ▶ Tire de la palanca de interruptor (2) contra el mango (3) con la mano izquierda y sujétela en esa posición. La cuchilla de corte comenzará a moverse.
- ▶ Suelte el bloqueo de la palanca de interruptor.

El motor no se encenderá a menos que se haya oprimido el bloqueo y se haya tirado de la palanca de interruptor al mismo tiempo.

## 15.2 Apagado

### **!** ADVERTENCIA

La cuchilla de corte se seguirá moviendo por un tiempo breve después de que se suelta la palanca de interruptor. Para evitar lesiones graves o mortales, no esté en contacto con la cuchilla en movimiento. Para reducir el riesgo de lesiones personales causadas por la activación accidental o el uso no autorizado, apague el motor, asegúrese de que la cuchilla se haya detenido y saque la llave de activación y la batería antes de transportar la máquina.

Para apagar el cortacésped:


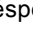
- ▶ Suelte la palanca de interruptor.

La cuchilla de corte se seguirá moviendo por un tiempo breve después de que se suelta la palanca de interruptor. Evite el contacto después de haber soltado la palanca de interruptor y al colocar el cortacésped en el suelo.

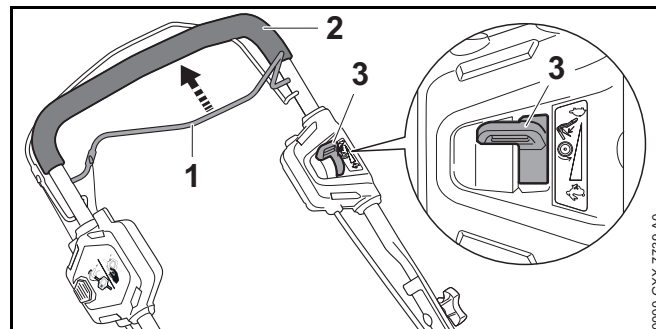
## 16 Activación y desactivación del sistema de propulsión

### 16.1 Activación del sistema de propulsión

La velocidad de propulsión del cortacésped puede ajustarse de modo continuo de 1 a 4,5 km/h (0,6 a 2,8 mi/h).

Si la palanca de velocidad se coloca en la posición , el cortacésped avanza a su velocidad máxima. Si la palanca de velocidad se coloca en la posición , el cortacésped avanza a su velocidad mínima.

Para activar el sistema de propulsión:



- ▶ Tire de la palanca de propulsión (1) completamente hacia el mango (2) y sujétela. El cortacésped empieza a avanzar.
- ▶ Ajuste la palanca de velocidad (3) en la posición mínima y luego ajuste la velocidad de propulsión hasta obtener la velocidad deseada.

En general, la duración de la batería se acorta cuando se trabaja de modo continuo a velocidades altas.

### 16.2 Desactivación del sistema de propulsión

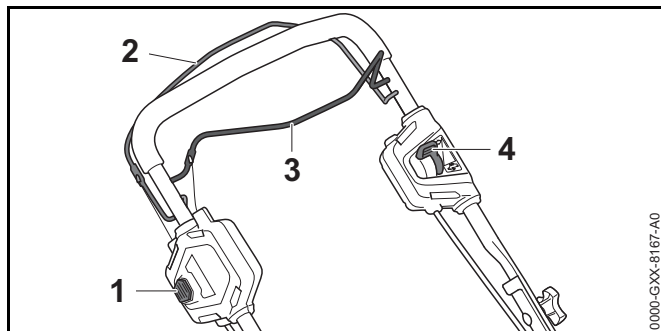
Para desactivar el sistema de propulsión:

- ▶ Suelte la palanca de propulsión.
- ▶ Espere a que el cortacésped se detenga.

## 17 Comprobación del cortacésped

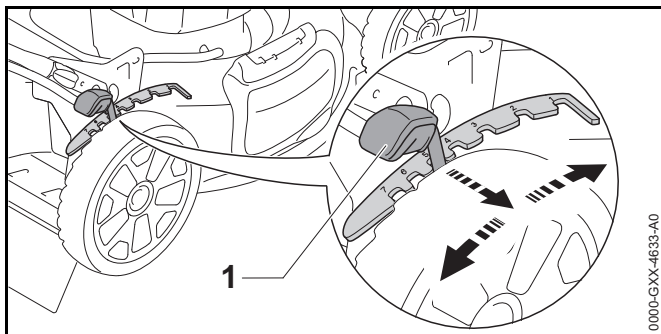
### 17.1 Prueba de los controles

Antes de comenzar a trabajar, confirme que el bloqueo (1), la palanca de interruptor (3), la palanca de propulsión (2) y la palanca de velocidad (4) estén libres de daños y funcionen correctamente.



## 18 Durante el funcionamiento

### 18.1 Ajuste de la altura de corte



Para ajustar la altura de corte:

- ▶ Tire de la palanca de ajuste de altura de corte (1) para sacarla de su hendidura y colóquela en la posición deseada.  
La marca indica la altura de corte seleccionada.

Se pueden seleccionar 8 alturas de corte diferentes:

- Posición 1 25 mm (0,98 pulg)
- Posición 2 34 mm (1,34 pulg)
- Posición 3 44 mm (1,73 pulg)
- Posición 4 54 mm (2,13 pulg)

- Posición 5 64 mm (2,52 pulg)
- Posición 6 76 mm (3,0 pulg)
- Posición 7 88 mm (3,46 pulg)
- Posición 8 100 mm (3,94 pulg)

### INDICACIÓN

Para reducir el riesgo de que se dañe el cortacésped, procure no levantar, trasladar o transportar el cortacésped tomándolo por la palanca de ajuste de altura.

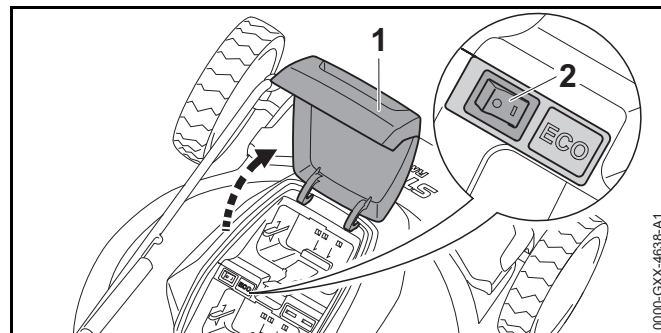
### INDICACIÓN

Para evitar la sobrecarga del motor, evite ajustar la altura de corte demasiado baja cuando el césped está alto. Si el motor empieza a perder velocidad, seleccione una altura de corte más elevada.

### 18.2 Activación del modo ECO

Cuando se selecciona el modo ECO, el cortacésped automáticamente reduce el régimen del motor cuando se requiere menos potencia. Esto aumenta la eficiencia en el consumo de energía y la duración de la batería.

Para activar el modo ECO:



- ▶ Levante la cubierta (1) del compartimento para la batería y sosténgala.
- ▶ Mueva el interruptor de ECO (2) a la posición I
- ▶ Cierre la cubierta del compartimento de la batería.





Para desactivar el modo ECO:




- ▶ Levante la cubierta del compartimiento para la batería y sosténgala.
- ▶ Mueva el interruptor de ECO a la posición 0
- ▶ Cierre la cubierta del compartimiento de la batería.

### 18.3 Corte y picado del césped

#### ⚠ ADVERTENCIA

Para reducir el riesgo de que el operador o terceros sufran lesiones graves o mortales, mantenga las manos, los pies y cualquier otra parte del cuerpo alejados de la cuchilla de corte,  5.7.2. No toque la cuchilla de corte mientras la llave fusible o la batería esté colocada. No toque nunca con las manos ni con ninguna parte del cuerpo la cuchilla de corte en movimiento,  5.7.4.

#### ⚠ ADVERTENCIA

Siempre use ropa adecuada y trajes protectores, incluso protección adecuada para los ojos cuando utiliza el cortacésped,  5.5. Mantenga a las demás personas a por lo menos 15 m (50 pies) de distancia de la zona de trabajo,  5.7.4. Trabaje con cuidado y mantenga un control adecuado del cortacésped,  5.7.2.



- ▶ Si se utiliza el sistema de propulsión, maneje el cortacésped guardándolo bajo control, manteniendo las dos manos en la máquina en todo momento.
- ▶ Si no se utiliza el sistema de propulsión, empuje el cortacésped lentamente, manteniendo las dos manos sobre la máquina en todo momento.

Respete todas las leyes, disposiciones, reglamentos y normas del caso.

#### Mullido

En el modo de mullido, el pasto picado se vuelve a circular en el torrente de aire, se corta varias veces para formar partículas pequeñas y luego se expulsa hacia el césped nuevamente. Las partículas finamente picadas permanecen en la superficie del césped, donde se descomponen rápidamente y sirven como fertilizante natural. El mullido

frecuente contribuye a formar un césped hermoso y denso. En este proceso se debe recortar un tercio de la altura del pasto.

Para un mullido eficaz, STIHL recomienda lo siguiente:

- Reduzca la velocidad de corte,
- Varíe el sentido de corte y solape los cortes,
- Corte el pasto muy alto en etapas graduales.




## 19 Después de completar el trabajo

### 19.1 Preparación para el transporte o el almacenamiento

#### **!** ADVERTENCIA

Para reducir el riesgo de lesiones personales causadas por la activación accidental o el uso no autorizado, apague el motor, asegúrese de que la cuchilla se haya detenido y saque la llave de activación y la batería antes de transportar el cortacéspedes.

Para preparar el cortacéspedes para el transporte o el almacenamiento:

- ▶ Apague el cortacéspedes,  15.2.
- ▶ Extraiga la llave fusible y la batería,  13.2 y  14.2.
- ▶ Si la batería o el cortacéspedes se humedeció durante el funcionamiento, deje que se seque por completo antes de cargarlo o guardarlo.



## 20 Transporte del cortacéspedes y de la batería

### 20.1 Cortacésped

#### **!** ADVERTENCIA

Para reducir el riesgo de lesiones personales a causa de una activación accidental, nunca levante ni transporte el cortacésped a mano con la llave de fusible y la batería insertadas.

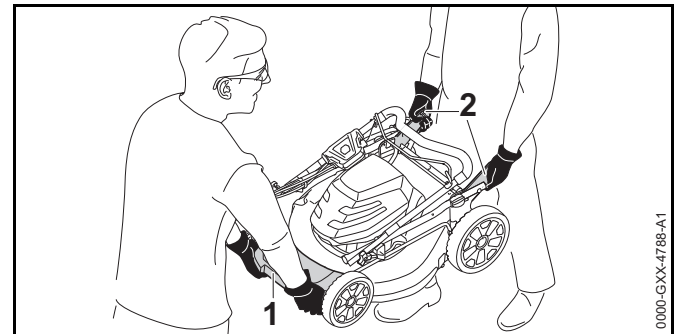
#### **!** ADVERTENCIA

Para reducir el riesgo de lesiones a causa de una pérdida de control y de contacto con la cuchilla, nunca levante ni transporte su cortacésped con la hoja de corte en movimiento,  5.7.4. Asegúrese de que la hoja de corte se haya detenido antes de levantar o transportar el cortacésped,  5.7.4.

Para transportar el cortacésped:

- ▶ Empuje el cortacésped hacia delante lentamente y de manera controlada o conduzca el cortacésped usando el sistema de accionamiento.
- ▶ Cuando transporte el cortacésped en un vehículo, sujete y posicione el cortacésped para evitar que pueda volcarse, golpearse ni dañarse. Use cuerdas o correas para sujetar los mangos.


Al transportar el cortacésped a mano:



- ▶ Use dos personas.
- ▶ Sostenga la cubierta con ambas manos (1).
- ▶ Sostenga la abrazadera izquierda (2) con la mano izquierda y la abrazadera derecha con la mano derecha.
- ▶ Utilice siempre guantes de trabajo antideslizantes para trabajo pesado de cuero u otro material resistente al desgaste.

## 20.2 Batería

### ADVERTENCIA

Para reducir el riesgo de cortocircuito, que podría generar una descarga eléctrica, un incendio o una explosión, nunca transporte la batería en un contenedor metálico o cerca de objetos de metal (por ejemplo, presillas de papel, clavos, monedas, llaves),  6

Al transportar la batería:

- ▶ Coloque la batería en un contenedor o una caja no metálicos y protéjala de impactos o daños. Nunca transporte la batería en un envase metálico u otro contenedor capaz de conducir electricidad, ni cerca de objetos metálicos (por ejemplo, presillas para papel, clavos, monedas, llaves, etc.).
- ▶ Si transporta la batería en un vehículo, asegúrela junto con su contenedor para prevenir vuelcos, impactos y daños.

Las baterías STIHL cumplen con los requisitos descritos en el Manual UN ST/SG/AC.10/11/Ver.5/Parte III, Subsección 38.3.

El transporte comercial por aire, agua y tierra de celdas de ion de litio y baterías está regulado. Esta batería está clasificada como un producto UN 3480, Clase 9 y grupo de envasado II. Para transportarla, ya sea como parte de la herramienta completa o sola, es necesario cumplir con todas las normas de transporte correspondientes. Antes del transporte o traslado, consulte con la empresa de transporte por tierra o agua, o bien con la aerolínea de carga o pasajeros, para determinar si el transporte está prohibido o sujeto a restricciones o exenciones.



Por lo general, el usuario no necesita cumplir con ninguna condición adicional para poder transportar baterías STIHL por carretera hasta el sitio donde se encuentra la herramienta eléctrica. Verifique y respete cualquier norma especial que pudiera aplicarse a su situación.

Para obtener más información, visite [www.stihlusa.com/battery-transportation-safety](http://www.stihlusa.com/battery-transportation-safety).


## 21 Almacenamiento del cortacéspedes y de la batería

### 21.1 Cortacéspedes

#### ADVERTENCIA



Guarde el cortacéspedes bajo techo, en un lugar seco y bajo llave al que los niños y otras personas no autorizadas no puedan acceder,  5.6. Nunca guarde la llave fusible ni la batería en el cortacéspedes. Un procedimiento incorrecto de almacenamiento podría permitir el uso no autorizado del cortacéspedes y causarle daños,  5.6.

Para guardar el cortacéspedes por tres meses o más:

- ▶ Limpie el cortacéspedes,  22.
- ▶ Guarde el cortacéspedes bajo techo, en un lugar seco, bajo llave, fuera del alcance de los niños y de otras personas no autorizadas.



### 21.2 Batería

#### ADVERTENCIA

Para reducir el riesgo de cortocircuito, que podría ocasionar electrocuciones, incendios o explosiones, nunca almacene la batería en un recipiente de metal o cerca de objetos metálicos,  6. Si la batería está mojada o húmeda, deje que se seque por completo antes de almacenarla,  6.

#### ADVERTENCIA

Las temperaturas extremas pueden dañar la batería y también pueden provocar que la batería genere calor, se rompa, sufra fugas, se incendie o explote y provoque

lesiones graves o mortales y daños materiales. Use y almacene la batería únicamente dentro de un rango de temperatura ambiente de 14 °F a 122 °F (- 10 °C a 50 °C),  6. Nunca almacene la batería expuesta de manera directa a la luz del sol o dentro de un vehículo en un clima caluroso,  6.


Para almacenar correctamente la batería:

- ▶ Quite la batería del cortacésped o del cargador.
- ▶ Asegúrese de que la batería está seca y almacénela bajo techo en un lugar seco y seguro.
- ▶ Manténgala fuera del alcance de los niños y de cualquier otra persona no autorizada.
- ▶ Proteja la batería contra la humedad y agentes corrosivos como productos químicos para el jardín y sales descongelantes.
- ▶ Proteja la batería contra la exposición a líquidos conductores como el agua salada.
- ▶ Para que la batería tenga una máxima vida útil, almacénela a una temperatura ambiente entre 50 °F y 68 °F (10 °C y 20 °C) con una carga entre 40 % y 60 % (2 LEDs verdes).
- ▶ No deje baterías de repuesto sin usar. Úselas en rotación.

## 22 Limpieza

### 22.1 Limpieza del cortacésped y de la batería

#### ADVERTENCIA

Para reducir el riesgo de lesiones personales a causa de una activación accidental, retire la llave de fusible y la batería antes de realizar cualquier trabajo de limpieza,  5.7.4. Los usuarios de este cortacésped solo deberán llevar a cabo los trabajos de limpieza que se describen en este manual.



#### ADVERTENCIA

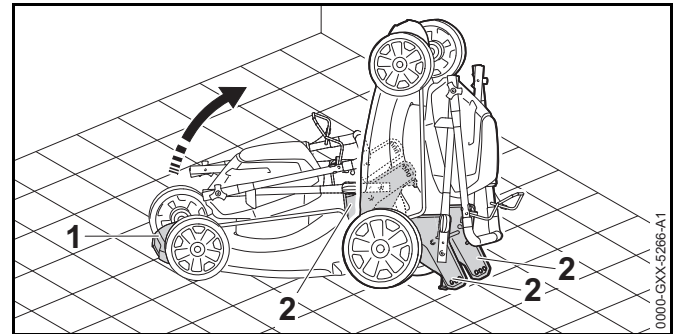
Para evitar lesiones, utilice siempre guantes de trabajo para trabajo pesado cuando manipule la cuchilla de corte.

#### INDICACIÓN

Coloque el cortacésped sobre una superficie firme y plana antes de colocarlo de punta. El cortacésped puede caerse durante la limpieza. Para reducir el riesgo de lesiones durante la limpieza, nunca trabaje directamente en frente o detrás de la unidad. Coloque siempre en un lado.

Para limpiar el cortacésped y la batería:

- ▶ Coloque el cortacésped sobre una superficie plana.
- ▶ Establezca la altura de corte en la posición 4,  18.1.
- ▶ Pliegue el mango,  12.2.



- ▶ Sujete la cubierta del frente (1) con una mano y la abrazadera (2) con la otra mano.
- ▶ Coloque el cortacésped de punta con las abrazaderas (2) en contacto con el suelo.
- ▶ Limpie los componentes de polímero del cortacésped con un paño ligeramente humedecido. No use detergentes ni solventes. Pueden dañar los componentes de polímero.
- ▶ Limpie el equipo de corte y las aberturas con un cepillo suave o un paño humedecido.
- ▶ Limpie el área alrededor de la cuchilla de corte y la propia cuchilla de corte con un palo de madera, un cepillo suave o un paño humedecido.
- ▶ Nunca use un limpiador a presión para limpiar el cortacésped, ni lo salpique de ningún otro modo con agua u otros líquidos.

- ▶ Mantenga la carcasa de la batería y las guías libres de objetos extraños y limpie según sea necesario con un cepillo suave o un paño suave y seco.


### INDICACIÓN

Nunca salpique el cortacésped con agua. Salpicarlo con un chorro de agua podría provocar daños en el sistema electrónico y en otros sistemas.

## 23 Inspección y mantenimiento

### 23.1 Inspección y mantenimiento del cortacéspedes

#### ⚠ ADVERTENCIA

Para reducir el riesgo de lesiones personales por la activación accidental, saque la llave fusible y la batería antes de inspeccionar el cortacéspedes o realizar algún trabajo de mantenimiento,  7. Efectúe únicamente las operaciones de mantenimiento que se describen en este manual. No hay reparaciones autorizadas para los usuarios. STIHL recomienda que los concesionarios de servicio STIHL autorizados efectúen los trabajos de reparación.

El mantenimiento adecuado del cortacéspedes incluye las siguientes actividades:

- ▶ Inspección periódica y remplazo de la cuchilla de corte, o solicitarle a un concesionario STIHL autorizado que la inspeccione y la remplace.
- ▶ Afilado periódico de la cuchilla de corte, o solicitarle a un concesionario STIHL autorizado que la afile y la equilibre.
- ▶ Si las etiquetas de seguridad están dañadas o faltan, solicite etiquetas de repuesto a un concesionario de servicio STIHL autorizado.


Si usted está reclamando cobertura de garantía para algún componente que no ha sido reparado o mantenido debidamente, es posible que se deniegue la garantía.

### 23.2 Inspección de la cuchilla de corte






#### ⚠ ADVERTENCIA

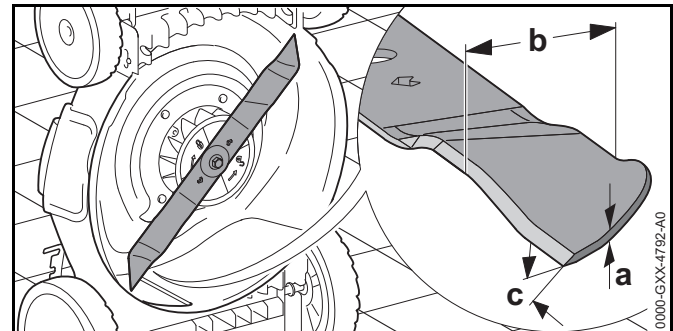
Nunca utilice una cuchilla de corte desafilada o dañada. El uso de una cuchilla desafilada conduce al aumento de las vibraciones, cortes insatisfactorios y un mayor desgaste, en particular si se usa el cortacéspedes sobre suelo arenoso o si se lo usa frecuentemente en condiciones secas. Una cuchilla de corte dañada puede vibrar, agrietarse, romperse o salirse del cortacéspedes, lo que puede provocar lesiones graves o mortales o daños a la propiedad. Asegúrese de que la cuchilla de corte esté afilada y en buenas condiciones antes de empezar a trabajar.

#### ⚠ ADVERTENCIA

La cuchilla de corte tiene bordes afilados. Si entra en contacto con alguna parte de su cuerpo, puede producirle un corte aunque no esté en movimiento. Siempre use guantes de trabajo resistentes al inspeccionar o manipular la cuchilla de corte,  5.5.

Para inspeccionar la cuchilla de corte:

- ▶ Apague el cortacéspedes,  15.2.
- ▶ Extraiga la llave fusible y la batería,  13.2 y  14.2.
- ▶ Coloque el cortacéspedes en una superficie plana.
- ▶ Coloque la perilla giratoria en la posición 4,  18.1.
- ▶ Pliegue el mango hacia abajo,  12.2.
- ▶ Apoye el cortacéspedes sobre su costado.



- ▶ Utilice un calibrador de pinzas para medir el grosor de la cuchilla. La cuchilla debe tener un grosor mínimo de  $a = 2,0 \text{ mm}$  (0,05 pulg) en el punto más estrecho.
- ▶ Utilice un calibrador de pinzas para medir el ancho de la cuchilla. La cuchilla debe tener un ancho de  $b = 45 \text{ mm}$  (1 pulg), como mínimo, en el punto más estrecho.
- ▶ Cambie la cuchilla de corte si las dimensiones medidas no se encuentran dentro de los límites admisibles.
- ▶ Compruebe el ángulo de afilado. Afile la cuchilla de corte si su ángulo de afilado no mide  $c = 30^\circ$ .

### 23.3 Afilado y equilibrio de la cuchilla de corte


#### **!** ADVERTENCIA

Nunca utilice una cuchilla de corte desafilada o dañada. Trabajar con cuchillas desafiladas genera un aumento en el esfuerzo físico, mayor carga de vibración, resultados de corte no satisfactorios y mayor desgaste, lo que puede resultar en la pérdida de control y en lesiones al operador o a otras personas. Una cuchilla de corte dañada puede vibrar, agrietarse, romperse o salirse del cortacéspedes, lo que puede provocar lesiones graves o mortales a la propiedad. Asegúrese de que la cuchilla de corte esté afilada y en buenas condiciones antes de empezar a trabajar.


#### **!** ADVERTENCIA

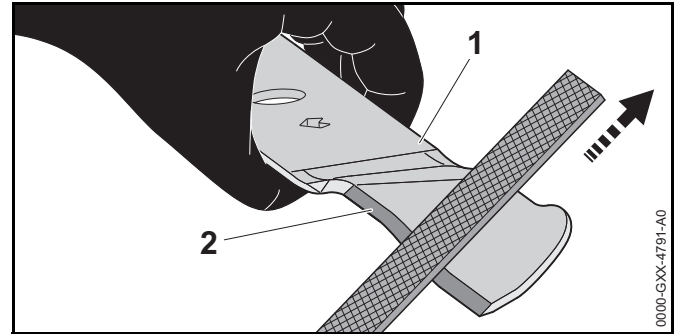
Una cuchilla de corte desequilibrada puede aumentar el riesgo de lesiones personales graves o mortales. STIHL recomienda que un concesionario de servicio STIHL autorizado afile y equilibre la cuchilla de corte para reducir el riesgo de lesiones graves o mortales.

#### **!** ADVERTENCIA

La cuchilla de corte tiene bordes afilados. Si entra en contacto con alguna parte de su cuerpo, puede producirle un corte aunque no esté en movimiento. Siempre use guantes de trabajo resistentes al afilar o manipular la cuchilla de corte,  5.5.

Para afilar la cuchilla de corte:

- ▶ Retire la cuchilla de corte,  23.4.



- ▶ Utilice una lima plana para afilar una cuchilla de corte (1) roma. En el caso de desgaste o mellas más serios, vuelva a afilar con una rectificadora o pida que el trabajo se lo haga un concesionario de servicio STIHL autorizado.
- ▶ Guíe la lima horizontalmente en un ángulo recto con respecto a la superficie lateral (2) de acuerdo con el ángulo especificado de  $30^\circ$ .
- ▶ Levante la lima en la pasada de vuelta. La lima afila solamente en la pasada de ida.
- ▶ Invierta la cuchilla de corte y afile el otro lado de modo similar.

Para equilibrar la cuchilla de corte:

- ▶ Después de aproximadamente 5 afiladas, compruebe el equilibrio de la cuchilla de corte con un equilibrador STIHL (accesorio especial), o pida que concesionario de servicio STIHL autorizado la revise y vuelva a ajustar el equilibrio según sea necesario.


### 23.4 Cambio de la cuchilla de corte

#### **!** ADVERTENCIA



Una cuchilla de corte agrietada, dañada o gastada podría despedazarse a altas velocidades y causar lesiones graves o mortales. Para reducir el riesgo de sufrir lesiones causadas por piezas rotas, revise el estado de la cuchilla de

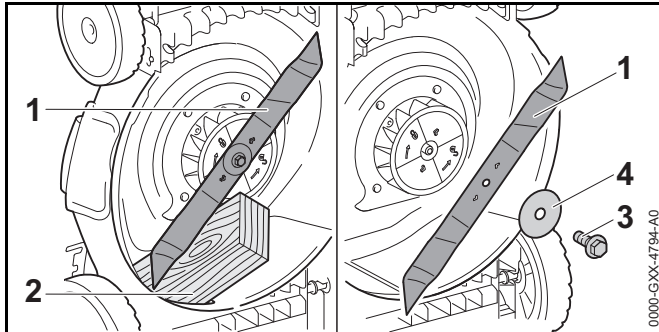
corte antes del montaje y luego realice inspecciones frecuentes a intervalos regulares. No utilice una cuchilla de corte gastada, rota o dañada.

### **!** ADVERTENCIA

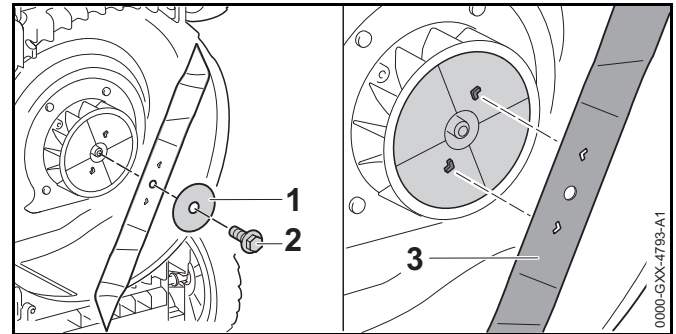
La cuchilla de corte tiene bordes afilados. Si entra en contacto con alguna parte de su cuerpo, puede producirle un corte aunque no esté en movimiento. Siempre use guantes de trabajo resistentes al montar o manipular la cuchilla de corte,  5.5.

Para cambiar la cuchilla de corte:

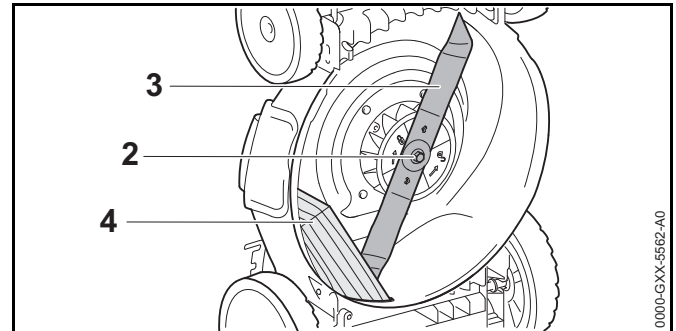
- ▶ Coloque la perilla giratoria en la posición 4,  18.1.
- ▶ Pliegue el mango hacia abajo,  12.2.
- ▶ Apoye el cortacéspedes sobre su costado.



- ▶ Utilice un trozo de madera (2) adecuado para inmovilizar la cuchilla (1).
- ▶ Saque el tornillo (3).
- ▶ Retire la cuchilla de corte junto con la arandela (4).



- ▶ Coloque la arandela (1) en el tornillo (2).
- ▶ Cubra las roscas del tornillo con pasta sellante Loctite 243 o Loctite 242.
- ▶ Monte la cuchilla de corte (3) nueva de la manera ilustrada. Los retenedores deben quedar bien ubicados en los orificios de la cuchilla de corte.





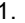

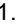




- ▶ Enrosque el tornillo (2) junto con la arandela.
- ▶ Utilice un trozo de madera (4) adecuado para inmovilizar la cuchilla (3).
- ▶ Apriete el tornillo firmemente.

## 24 Guía de solución de problemas









### 24.1 Cortacésped y batería

Siempre retire la llave de fusible y la batería antes de efectuar cualquier inspección, limpieza o mantenimiento.

Condición	LEDs en la batería	Posible causa	Solución
El cortacésped no arranca cuando se enciende.		No hay contacto eléctrico entre el cortacésped y la batería.	<ul style="list-style-type: none"> <li>▶ Retire la batería,  13.2.</li> <li>▶ Controle visualmente los contactos eléctricos en el compartimento de batería y en la batería.</li> <li>▶ Reinserte la batería,  14.1.</li> </ul>
	1 LED parpadea en verde.	La carga de la batería es baja.	▶ Cargue la batería,  9.2.
	1 LED parpadea en rojo.	Batería muy caliente / muy fría.	▶ Permita que la batería se caliente o se enfríe gradualmente a temperaturas ambiente de alrededor de 50 °F a 68 °F (10 °C a 20 °C).
	4 LEDs parpadean en rojo.	Avería en la batería.	<ul style="list-style-type: none"> <li>▶ Retire la batería y reinsértela,  14.</li> <li>▶ Encienda el cortacésped,  15.1.</li> <li>▶ Si los LEDs continúan parpadeando, no intente usarlo. La batería tiene una avería y debe ser reemplazada.</li> </ul>
	3 LEDs se iluminan en rojo.	Cortacésped demasiado caliente.	▶ Permita que el cortacésped se enfríe.
	3 LEDs parpadean en rojo.	Avería en el cortacésped.	<ul style="list-style-type: none"> <li>▶ Retire la batería y reinsértela,  14</li> <li>▶ Encienda el cortacésped,  15.1.</li> <li>▶ Si los LEDs aún parpadean no intente usarlo. El cortacésped tiene una avería y debe ser revisado por un distribuidor de servicio.</li> </ul>
		La cuchilla de corte está bloqueada.	<ul style="list-style-type: none"> <li>▶ Aumente la altura de corte,  18.1.</li> <li>▶ Limpie el cortacésped,  22.</li> <li>▶ Encienda el cortacésped en hierba baja.</li> </ul>



**Siempre retire la llave de fusible y la batería antes de efectuar cualquier inspección, limpieza o mantenimiento.**

Condición	LEDs en la batería	Posible causa	Solución
El cortacésped se apaga durante el funcionamiento.	1 LED parpadea en rojo.	Batería muy caliente / muy fría.	<ul style="list-style-type: none"> <li>▶ Retire la batería,  13.2.</li> <li>▶ Permita que el cortacésped y la batería se enfíen gradualmente a temperaturas ambiente de alrededor de 50 °F a 68 °F (10 °C a 20 °C).</li> </ul>
	3 LEDs se iluminan en rojo.	Cortacésped demasiado caliente.	<ul style="list-style-type: none"> <li>▶ Aumente la altura de corte,  18.1.</li> <li>▶ Reduzca la velocidad del sistema de accionamiento,  16.1.</li> <li>▶ Empuje el cortacésped hacia delante más lentamente.</li> </ul>
		La cuchilla de corte está bloqueada.	<ul style="list-style-type: none"> <li>▶ Aumente la altura de corte,  18.1.</li> <li>▶ Limpie el cortacésped,  22.</li> <li>▶ Encienda el cortacésped en hierba baja.</li> </ul>
El sistema de accionamiento no se puede activar.		Avería en el cortacésped.	<ul style="list-style-type: none"> <li>▶ Retire la batería y reinsértela,  14</li> <li>▶ Intente activar nuevamente la autopropulsión,  16.1.</li> <li>▶ Si la autopropulsión aún no funciona, no intente usarlo. El cortacésped tiene una avería y debe ser revisado por un distribuidor de servicio.</li> </ul>
El tiempo de marcha es demasiado corto.		La batería no está cargada por completo.	▶ Cargue la batería,  9.2.
		Se ha alcanzado o excedido la vida útil de la batería.	▶ Solicite a su distribuidor de servicio autorizado STIHL que revise la batería.
La batería no se carga a pesar de que el LED en el cargador se ilumina en verde.	1 LED parpadea en rojo.	Batería muy caliente / muy fría.	<ul style="list-style-type: none"> <li>▶ Permita que la batería se caliente o se enfíe gradualmente a temperaturas ambiente de alrededor de 50 °F a 68 °F (10 °C a 20 °C).</li> <li>▶ Use el cargador únicamente en espacios secos y cerrados, a temperaturas ambiente de 41 °F a 104 °F (5 °C a 40 °C).</li> </ul>

## 25 Especificaciones

### 25.1 Cortacéspedes STIHL RMA 460.0 V

- Tipos de batería aprobados: Serie STIHL AK
- Peso sin batería: 28 kg (61,7 lb)
- Capacidad máxima de bolsa para pasto: 60 l (15,85 gal EE. UU.)
- Ancho de corte: 46 mm (1,81 pulg)
- Velocidad de la cuchilla: 3200 r/min
- Velocidad de cuchilla de corte en modo ECO: 2800 r/min
- Velocidad de propulsión: de 1 a 4,5 km/h (0,6 a 2,8 mi/h).

Para información técnica en cuanto a las baterías series AK de STIHL, consulte la información de producto que acompaña a la batería.

Para información técnica en cuanto a los cargadores series AL 101, 300 y 500 de STIHL, consulte la información de producto que acompaña a la batería.

Las baterías, los cargadores y otros accesorios se venden por separado. Comuníquese con un concesionario de servicio STIHL autorizado para obtener una lista de piezas y accesorios aprobados.

### 25.2 Símbolos en el cortacéspedes y la batería

Símbolo	Explicación
V	Voltio
Hz	Hercio
A	Amperio
Ah	Amperio-hora
W	Vatio
Wh	Vatio-hora
DC	Corriente continua



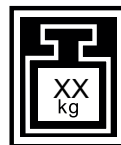
Llave fusible



Receptáculo de llave fusible



Interruptor del modo ECO



Peso del cortacéspedes



Velocidad máxima de propulsión



Velocidad mínima de propulsión



Intensidad de emisiones sonoras



Los productos STIHL no se deben desechar junto con la basura del hogar, sino en conformidad con las leyes y normas locales, estatales y federales provistas en este manual, 27.



El sello de la RBRC indica que STIHL ya aportó dinero para el reciclado de la batería.



Corriente continua



Cantidad de celdas y contenido energético según las especificaciones del fabricante de celdas. La energía útil será menor.

### 25.3 Batería STIHL serie AK

Tipo de cargador aprobado: STIHL series AL 101, AL 300, AL 500.

- Tecnología de la batería: Iones de litio
- Voltaje: 36 V
- Capacidad nominal en Ah<sup>1</sup>: Ver chapa de identificación

<sup>1</sup> Capacidad nominal calculada según IEC 61960. La energía útil disponible para el operador será menor.

- Energía almacenada en Wh<sup>1</sup>: Ver chapa de identificación
- Peso en kg: Ver chapa de identificación
- Rango de temperatura ambiente permitido durante el uso o el almacenamiento: - 10 °C a 50 °C (14 °F a 122 °F)

Para obtener una lista completa de tiempos de carga aproximados, visite [www.stihl.com/charging-times](http://www.stihl.com/charging-times).

Para obtener una lista completa de tiempos de funcionamiento aproximados de la batería, visite [www.stihl.com/battery-life](http://www.stihl.com/battery-life).

## 25.4 Mejoramientos técnicos

STIHL tiene la filosofía de mejorar continuamente todos sus productos. Como resultado de ello, periódicamente se introducen cambios de diseño y mejoras. Por lo tanto, es posible que algunos cambios, modificaciones y mejoras no se describan en este manual. Si las características de funcionamiento o la apariencia de su máquina difieren de las descritas en este manual, comuníquese con el concesionario STIHL para obtener la ayuda que requiera.

## 25.5 Declaración de cumplimiento con norma FCC 15

Este dispositivo cumple con la parte 15 de las normas de la FCC.

El funcionamiento está sujeto a las dos condiciones dadas a continuación:

- este dispositivo no deberá causar interferencias nocivas.
- este dispositivo deberá aceptar todas las interferencias que reciba, incluso las interferencias que pudieran causar un funcionamiento no deseado.

Nota: Este equipo ha sido sometido a prueba y se ha hallado que cumple con los límites de los dispositivos digitales Categoría B, según la parte 15 del Reglamento de la FCC. Estos límites están diseñados para ofrecer protección

<sup>1</sup> La batería tiene marcada la energía almacenada, según lo indica el fabricante de la celda. La energía útil disponible para el operador será menor.

razonable contra las interferencias nocivas en una instalación residencial. Este equipo genera, utiliza y puede irradiar energía a radiofrecuencias y, si no se lo instala y utiliza conforme a las presentes instrucciones, podría causar interferencias nocivas para las comunicaciones por radio. No obstante, no se ofrece garantía alguna de que la interferencia no ocurrirá en una instalación particular.


Si este equipo llegara a causar interferencias perjudiciales a la recepción de radio o televisión, lo cual puede determinarse encendiendo y apagando el equipo, se le indica al usuario que intente corregir la interferencia por medio de tomar una o más de las medidas siguientes:

- reoriente o cambie la ubicación de la antena de recepción,
- aumente la separación entre el equipo y el receptor,
- conecte el equipo a un tomacorriente de un circuito diferente al cual está conectado el receptor,
- consulte a un concesionario de servicio STIHL autorizado o a un técnico de radio/TV experto para recibir ayuda.

No cambie ni modifique este producto en modo alguno, a menos que se le indique específicamente hacerlo en este manual, puesto que podría anular la autoridad de usarlo.

## 26 Piezas y equipos de repuesto

### 26.1 Piezas de repuesto originales de STIHL

STIHL recomienda el uso de piezas de repuesto originales de STIHL. Es posible identificar las piezas originales de STIHL por el número de pieza STIHL, el logotipo de **STIHL** y, en ciertos casos, el símbolo  de piezas STIHL. En las piezas pequeñas el símbolo puede aparecer solo.

## 27 Eliminación

### 27.1 Desecho de la herramienta motorizada

Los productos STIHL no se deben desechar junto con la basura del hogar, sino de la manera en que se detalla en este manual.

- ▶ Tome la herramienta motorizada y su embalaje a un sitio aprobado para desecharla y que efectúe un reciclaje no dañino al medio ambiente.
- ▶ Comuníquese con un concesionario de servicio STIHL autorizado para obtener la información más actualizada sobre eliminación y reciclado.

### 27.2 Reciclado de las baterías

#### ADVERTENCIA

Manipule las baterías descargadas/agotadas con cuidado. Aunque parezca que están descargadas, las baterías de ion de litio nunca se descargan completamente y pueden generar una corriente de cortocircuito peligrosa. Si se dañan o exponen a temperaturas extremas, pueden perder líquido, generar calor, incendiarse o explotar.

- ▶ Respete todas las leyes y normas federales, estatales y locales sobre eliminación de desechos.
- ▶ Comuníquese con un concesionario de servicio STIHL autorizado para obtener la información más actualizada acerca de la eliminación de desechos.

- ▶ Recicle las baterías agotadas rápidamente.
- ▶ Mantenga las baterías alejadas de los niños. No desarme el producto ni lo incinere.



STIHL está comprometida con el desarrollo de productos que protejan el medio ambiente. Este compromiso no termina cuando el producto sale del concesionario de servicio STIHL autorizado. STIHL se asoció con la RBRC (Corporación de Reciclaje de Baterías Recargables) para fomentar la recolección y el reciclado de baterías de ion de litio STIHL en los Estados Unidos y Canadá.

El sello de la RBRC indica que STIHL ya aportó dinero para el reciclado de la batería. El sello de la RBRC lleva impreso un número telefónico gratuito (1-800-822-8837) que le permite acceder a información sobre lugares de reciclaje de baterías y prohibiciones o restricciones respecto del reciclado de baterías en su zona. También puede devolver las baterías a cualquier concesionario de servicio STIHL autorizado para reciclarlas gratuitamente.

## 28 Garantía limitada

### 28.1 Política de garantía limitada de STIHL Incorporated

Este producto se vende sujeto a la Política de garantía limitada de STIHL Incorporated, disponible en [www.stihlusa.com/warranty.html](http://www.stihlusa.com/warranty.html). También puede obtenerlo de un concesionario de servicio STIHL autorizado o llamando al 1-800-GO-STIHL (1-800-467-8445).

## 29 Marcas comerciales

### 29.1 Marcas comerciales registradas

STIHL®

**STIHL**®



FARM BOSS®

iCademy®

MAGNUM®

La combinación de colores anaranjado-gris (Registros en EE. UU. #2,821,860; #3,010,057, #3,010,058, #3,400,477; y #3,400,476)

AutoCut®

YARD BOSS®

STIHL ROLLOMATIC®

WOOD BOSS®



MasterWrench Service®

MotoMix®

OILOMATIC®

ROCK BOSS®

STIHL Cutquik®

STIHL DUROMATIC®

STIHL Quickstop®

STIHL WOOD BOSS®

TIMBERSPORTS®



Queda terminantemente prohibido todo uso de estas marcas comerciales sin el consentimiento expreso por escrito de ANDREAS STIHL AG & Co. KG, Waiblingen.

## 30 Direcciones

### 30.1 STIHL Incorporated

STIHL Incorporated  
536 Viking Drive  
P.O. Box 2015  
Virginia Beach, VA  
23452-2015

## 29.2 Marcas comerciales por ley común

4-MIX™	HT Plus™
BioPlus™	STIHL PowerSweep™
Easy2Start™	STIHL Protech™
EasySpool™	STIHL MiniBoss™
ElastoStart™	STIHL MotoPlus 4™
Ematic™	Master Control Lever™
STIHL Precision Series™	STIHL OUTFITTERS™
FixCut™	STIHL PICCO™
Micro™	TrimCut™
Pro Mark™	STIHL M-Tronic™
Quad Power™	STIHL HomeScaper Series™
Quiet Line™	STIHL PolyCut™
STIHL Arctic™	STIHL RAPID™
STIHL Compact™	STIHL SuperCut™
STIHL Interchangeable Attachment Series™	STIHL Multi-Cut HomeScaper Series™
TapAction™	STIHL Territory™
	

Esta lista de marcas comerciales está sujeta a cambios.





**⚠ WARNING**

Use of this lawn mower can generate dust and other substances containing chemicals known to the State of California to cause cancer, birth defects or other reproductive harm.

**⚠ ADVERTENCIA**

El uso de este cortacésped puede generar polvo y otras sustancias que contienen productos químicos considerados por el Estado de California como causantes de cáncer, defectos de nacimiento u otra toxicidad reproductora.

**⚠ WARNING**

This lawn mower contains chemicals known to the State of California to cause cancer, birth defects or other reproductive harm.

**⚠ ADVERTENCIA**

Este cortacésped contiene productos químicos considerados por el Estado de California como causantes de cáncer, defectos de nacimiento u otra toxicidad reproductora.

0458-818-8621-A

englisch / spanisch USA



[www.stihl.com](http://www.stihl.com)



0458-818-8621-A