

STIHL

STIHL HSA 94 R, 94 T

Instruction Manual
Manual de instrucciones



 **WARNING**

Read Instruction Manual thoroughly before use and follow all safety precautions – improper use can cause serious or fatal injury.

 **ADVERTENCIA**

Antes de usar la máquina lea y siga todas las precauciones de seguridad dadas en el manual de instrucciones – el uso incorrecto puede causar lesiones graves o mortales.



Instruction Manual

1 - 40

Manual de instrucciones

41 - 85

Contents

| | | | | |
|-----------|---|-----------|---|-----------|
| 1 | Introduction | 2 | 10.2 Charging | 19 |
| 2 | Guide to Using this Manual | 2 | 11 LED Diagnostics and Acoustic Signals | 20 |
| 2.1 | Signal Words | 2 | 11.1 STIHL AR Backpack Battery | 20 |
| 2.2 | Symbols in Text | 3 | 11.2 STIHL AP Battery | 21 |
| 3 | Main Parts | 3 | 12 Using a Battery Harness | 22 |
| 3.1 | Hedge Trimmer | 3 | 12.1 STIHL AR Backpack Battery | 22 |
| 3.2 | Battery Harness Options | 4 | 12.2 STIHL Battery Backpack | 23 |
| 4 | Safety Symbols on the Products | 5 | 12.3 STIHL Battery Belt | 26 |
| 4.1 | Hedge Trimmer | 5 | 13 Adjusting the Hedge Trimmer | 27 |
| 4.2 | Battery | 5 | 13.1 Rotating the Control Handle | 27 |
| 5 | General Power Tool Safety Warnings | 6 | 14 Inserting and Removing the Connecting Cord | 27 |
| 5.1 | Introduction | 6 | 14.1 Inserting the Connecting Cord | 27 |
| 5.2 | Work Area Safety | 6 | 14.2 Removing the Connecting Cord | 28 |
| 5.3 | Electrical Safety | 6 | 15 Switching the Hedge Trimmer On and Off | 28 |
| 5.4 | Personal Safety | 7 | 15.1 Switching On | 28 |
| 5.5 | Power Tool Use and Care | 7 | 15.2 Switching Off | 29 |
| 5.6 | Battery Tool Use and Care | 8 | 16 Checking the Hedge Trimmer | 29 |
| 5.7 | Service | 8 | 16.1 Testing the Controls | 29 |
| 5.8 | Hedge Trimmer Safety Warnings | 8 | 17 During Operation | 30 |
| 6 | IMPORTANT SAFETY INSTRUCTIONS | 8 | 17.1 Selecting the Power Level | 30 |
| 6.1 | Intended Use | 8 | 17.2 Using the Hedge Trimmer | 31 |
| 6.2 | Operator | 9 | 18 After Finishing Work | 31 |
| 6.3 | Personal Protective Equipment | 9 | 18.1 Preparing for Transportation or Storage | 31 |
| 6.4 | Hedge Trimmer | 10 | 19 Transporting | 32 |
| 6.5 | Using the Hedge Trimmer | 11 | 19.1 Hedge Trimmer | 32 |
| 7 | Maintenance, Repair and Storage | 16 | 20 Storing | 32 |
| 7.1 | Warnings and Instructions | 16 | 20.1 Hedge Trimmer | 32 |
| 8 | Battery Safety | 17 | 21 Cleaning | 32 |
| 8.1 | Warnings and Instructions | 17 | 21.1 Cleaning the Hedge Trimmer | 32 |
| 9 | Before Starting Work | 18 | 21.2 Cleaning the Cutting Blades | 33 |
| 9.1 | Preparing the Hedge Trimmer for Operation | 18 | 21.3 Cleaning the Contact Surfaces of the Connecting Cord | 33 |
| 10 | Charging the Battery | 18 | | |
| 10.1 | Setting up the Charger | 18 | | |

STIHL

This instruction manual is protected by copyright. All rights reserved, especially the rights to reproduce, translate and process with electronic systems.

| | | |
|-----------|---|-----------|
| 22 | Inspection and Maintenance | 34 |
| 22.1 | Inspection and Maintenance Chart | 34 |
| 22.2 | Inspecting and Maintaining the Hedge Trimmer | 34 |
| 22.3 | Lubricating the Gearbox | 34 |
| 22.4 | Inspecting and Maintaining the Cutting Blades | 35 |
| 23 | Troubleshooting Guide | 36 |
| 23.1 | Hedge Trimmer | 36 |
| 24 | Specifications | 38 |
| 24.1 | STIHL STIHL HSA 94 R, HSA 94 T | 38 |
| 24.2 | Cutting Blades | 38 |
| 24.3 | Symbols on the Hedge Trimmer | 38 |
| 24.4 | Engineering Improvements | 38 |
| 24.5 | FCC 15 Compliance Statement | 38 |
| 25 | Replacement Parts and Equipment | 39 |
| 25.1 | Genuine STIHL Replacement Parts | 39 |
| 26 | Disposal | 39 |
| 26.1 | Disposal of the Power Tool | 39 |
| 26.2 | Battery Recycling | 39 |
| 27 | Limited Warranty | 40 |
| 27.1 | STIHL Incorporated Limited Warranty Policy | 40 |
| 28 | Trademarks | 40 |
| 28.1 | Registered Trademarks | 40 |
| 28.2 | Common Law Trademarks | 40 |
| 29 | Addresses | 40 |
| 29.1 | STIHL Incorporated | 40 |

1 Introduction

Thank you for your purchase. The information contained in this manual will help you receive maximum performance and satisfaction from your hedge trimmer and, if followed, reduce the risk of injury from its use.

SAVE THIS MANUAL!



Because a hedge trimmer is a high-speed cutting tool, special safety precautions must be observed to reduce the risk of personal injury.



Read this instruction manual thoroughly before use and periodically thereafter. Follow all safety precautions. Careless or improper use can cause serious or fatal injury.

Have your authorized STIHL servicing dealer show you how to operate your power tool.

Do not lend or rent the hedge trimmer without this instruction manual. Allow only persons who fully understand the information in this manual to operate the hedge trimmer.

For further information, or if you do not understand any of the instructions in this manual, please go to www.stihlusa.com or contact your authorized STIHL servicing dealer.

2 Guide to Using this Manual

2.1 Signal Words

This manual contains safety information that requires your special attention. Such information is introduced with the following symbols and signal words:



DANGER

Indicates a hazardous situation that, if not avoided, will result in death or serious injury.

⚠ WARNING


Indicates a hazardous situation that, if not avoided, could result in death or serious injury.

NOTICE

Indicates a risk of property damage, including damage to the machine or its individual components.

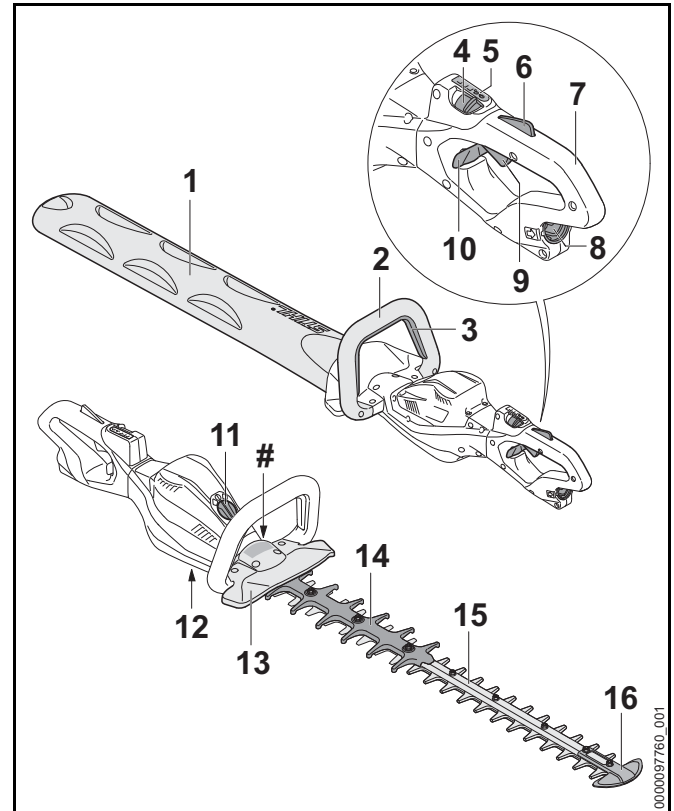
2.2 Symbols in Text

The following symbol is included to assist you with the use of the manual:

 Refers to a designated chapter or sub-chapter in this instruction manual.

3 Main Parts

3.1 Hedge Trimmer



1 Blade Scabbard

Covers cutting blades when the hedge trimmer is not in use.

2 Loop Handle

Handle for the operator's front hand.

3 Mounting Recess

Mounting area for a Smart Connector 2 A.

4 Switch Lever

Activates the cutting attachment when depressed in combination with the trigger switch.

5 Retaining Latch

Locks/unlocks the trigger switch.

6 LEDs

Indicate the unit's power level.

7 Trigger Switch Lockout

Must be depressed while the retaining latch is unlocked to allow activation of the trigger switch.

8 Control Handle

Handle for the operator's rear hand.

9 Socket

Socket for the battery connecting cord.

10 Trigger Switch

Activates the cutting attachment when depressed in combination with the switch lever.

11 Blocking Lever

Lever for rotating the rear handle.

12 Screw Plug

Seals the grease filler opening at the gearbox.

13 Hand Guard

Helps protect the operator's front hand from projecting branches and other materials and from contact with the cutting blades.

14 Cutting Blade Guard

Helps protect the operator from contact with the cutting blades.

15 Cutting Blades

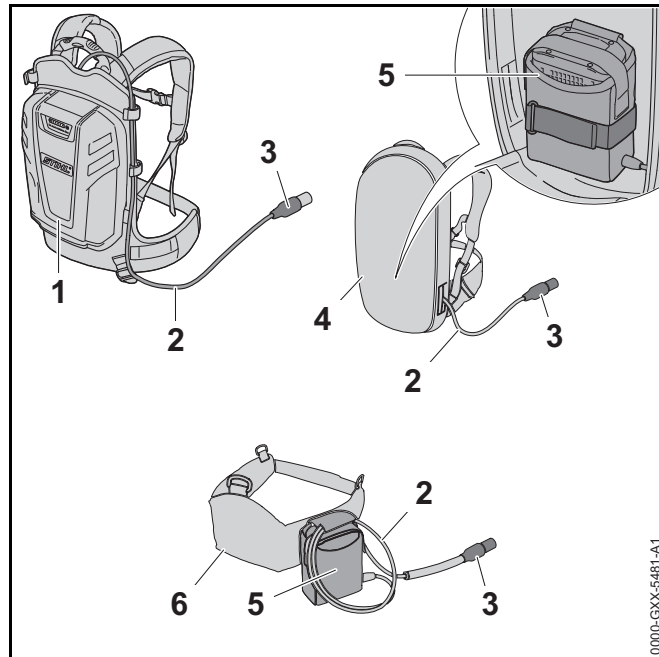
Steel blades for cutting hedges, shrubs and bushes.

16 Tip Guard

Helps protect the tip of the cutting blades from contact with solid objects.

Rating Plate

Contains electrical information and the product's serial number.

3.2 Battery Harness Options

The HSA 94 may be powered by a STIHL AR series backpack battery. Alternatively, it may be powered by a STIHL AP series battery in combination with a STIHL AP Battery Bag with Connecting Cord.

A variety of battery harness options are available for use with the HSA 94. (Batteries, battery harnesses and other accessories sold separately.)

1 STIHL AR Backpack Battery

Backpack battery.

2 Connecting Cord

Transmits electric current from the battery to the hedge trimmer.

3 Plug

Part of the connecting cord that fits into the hedge trimmer socket.

4 STIHL Battery Backpack

For carrying up to two AP series batteries on your back.

5 AP Battery Bag with Connecting Cord

Holds an AP battery and connects it to the power tool.

6 STIHL Battery Belt

For carrying up to two AP series batteries on your hip.

4 Safety Symbols on the Products

4.1 Hedge Trimmer

The following safety symbols are found on the hedge trimmer:



To reduce the risk of injury, follow the specified safety precautions.



Read and follow all safety precautions in the instruction manual. Improper use can lead to serious or fatal personal injury or property damage.



To reduce the risk of injury or property damage from unintended activation, remove the connecting cord any time the hedge trimmer is not in use, 6.5.



To reduce the risk of cut injuries, keep hands, feet and other body parts away from the cutting blades, 6.5.4.

HSA 94 R only

To reduce the risk of eye injury, always wear proper eye protection, 6.3.

HSA 94 T only

To reduce the risk of eye injury, always wear proper eye protection. Power tool noise may damage your hearing. Always wear proper sound barriers (ear plugs or ear muffs) to protect your hearing, 6.3.

4.2 Battery

The following safety symbols are found on the AR series backpack battery and the AP series battery:



To reduce the risk of injury, follow the specified safety precautions.



Read and follow all safety precautions in the battery's instruction manual and the manual for the STIHL tool powered by this battery. Improper use can lead to serious or fatal personal injury or property damage.



To reduce the risk of personal injury or property damage from fire, explosion or burns, including chemical burns, do not disassemble, crush, drop, damage or heat above 212 °F (100 °C). Never expose to fire or incinerate, 8.



To reduce the risk of personal injury or property damage from fire, use and store only within an ambient temperature range of 14 °F to 122 °F (- 10 °C to 50 °C), 8.

AR 900, 1000, 2000, 3000 Backpack Batteries

To reduce the risk of personal injury or property damage from a short circuit, fire or explosion, keep dry. Protect from rain, water, liquids and damp conditions. Never immerse in water or other liquids, 8.

AR L Backpack Batteries

To reduce the risk of personal injury or property damage from a short circuit, fire or explosion, keep dry. Never immerse in water or other liquids, 8.

AP Series Batteries

To reduce the risk of personal injury or property damage from a short circuit, fire or explosion, keep dry. Never immerse in water or other liquids, 8.

Batteries sold separately.

5 General Power Tool Safety Warnings

5.1 Introduction

This chapter contains the prescribed general safety warnings and instructions for handheld, motor-operated electric power tools and motor-operated, electric hedge trimmers contained in UL 60745-1 and UL 60745-2-15. Additional important warnings and instructions are provided in subsequent chapters of this manual.

IMPORTANT SAFETY INSTRUCTIONS

▲ WARNING

- **Read all safety warnings and all instructions.** Failure to follow the warnings and instructions may result in electric shock, fire and/or serious injury.
- **Save all warnings and instructions for future reference.**

The term “power tool” in the warnings refers to your mains-operated (corded) power tool or battery-operated (cordless) power tool.

5.2 Work Area Safety

- a) **Keep work area clean and well lit.** Cluttered or dark areas invite accidents.
- b) **Do not operate power tools in explosive atmospheres, such as in the presence of flammable liquids, gases or dust.** Power tools create sparks which may ignite the dust or fumes.
- c) **Keep children and bystanders away while operating a power tool.** Distractions can cause you to lose control.

5.3 Electrical Safety

- a) **Power tool plugs must match the outlet. Never modify the plug in any way. Do not use any adapter plugs with earthed (grounded) power tools.** Unmodified plugs and matching outlets will reduce the risk of electric shock.
- b) **Avoid body contact with earthed or grounded surfaces, such as pipes, radiators, ranges and refrigerators.** There is an increased risk of electric shock if your body is earthed or grounded.
- c) **Do not expose power tools to rain or wet conditions.** Water entering a power tool will increase the risk of electric shock.
- d) **Do not abuse the cord. Never use the cord for carrying, pulling or unplugging the power tool. Keep cord away from heat, oil, sharp edges or moving parts.** Damaged or entangled cords increase the risk of electric shock.
- e) **When operating a power tool outdoors, use an extension cord suitable for outdoor use.** Use of a cord suitable for outdoor use reduces the risk of electric shock.
- f) **If operating a power tool in a damp location is unavoidable, use a residual current device (RCD) or ground fault circuit interrupter (GFCI) protected supply.** Use of an RCD or GFCI reduces the risk of electric shock.

5.4 Personal Safety

- a) **Stay alert, watch what you are doing and use common sense when operating a power tool. Do not use a power tool while you are tired or under the influence of drugs, alcohol or medication.** A moment of inattention while operating power tools may result in serious personal injury.
- b) **Use personal protective equipment. Always wear eye protection.** Protective equipment such as dust mask, non-skid safety shoes, hard hat, or hearing protection used for appropriate conditions will reduce personal injuries.
- c) **Prevent unintentional starting. Ensure the switch is in the off-position before connecting to power source and/or battery pack, picking up or carrying the tool.** Carrying power tools with your finger on the switch or energizing power tools that have the switch on invites accidents.
- d) **Remove any adjusting key or wrench before turning the power tool on.** A wrench or a key left attached to a rotating part of the power tool may result in personal injury.
- e) **Do not overreach. Keep proper footing and balance at all times.** This enables better control of the power tool in unexpected situations.
- f) **Dress properly. Do not wear loose clothing or jewellery. Keep your hair and clothing away from moving parts.** Loose clothes, jewellery or long hair can be caught in moving parts.
- g) **If devices are provided for the connection of dust extraction and collection facilities, ensure these are connected and properly used.** Use of dust collection can reduce dust-related hazards.
- h) **Do not let familiarity gained from frequent use of tools allow you to become complacent and ignore tool safety principles.** A careless action can cause severe injury within a fraction of a second.

5.5 Power Tool Use and Care

- a) **Do not force the power tool. Use the correct power tool for your application.** The correct power tool will do the job better and safer at the rate for which it was designed.
- b) **Do not use the power tool if the switch does not turn it on and off.** Any power tool that cannot be controlled with the switch is dangerous and must be repaired.
- c) **Disconnect the plug from the power source and/or remove the battery pack, if detachable, from the power tool before making any adjustments, changing accessories, or storing power tools.** Such preventive safety measures reduce the risk of starting the power tool accidentally.
- d) **Store idle power tools out of the reach of children and do not allow persons unfamiliar with the power tool or these instructions to operate the power tool.** Power tools are dangerous in the hands of untrained users.
- e) **Maintain power tools and accessories. Check for misalignment or binding of moving parts, breakage of parts and any other condition that may affect the power tool's operation. If damaged, have the power tool repaired before use.** Many accidents are caused by poorly maintained power tools.
- f) **Keep cutting tools sharp and clean.** Properly maintained cutting tools with sharp cutting edges are less likely to bind and are easier to control.
- g) **Use the power tool, accessories and tool bits etc. in accordance with these instructions, taking into account the working conditions and the work to be performed.** Use of the power tool for operations different from those intended could result in a hazardous situation.
- h) **Keep handles and grasping surfaces dry, clean and free from oil and grease.** Slippery handles and grasping surfaces do not allow for safe handling and control of the tool in unexpected situations.

5.6 Battery Tool Use and Care

- a) **Recharge only with the charger specified by the manufacturer.** A charger that is suitable for one type of battery pack may create a risk of fire when used with another battery pack.
- b) **Use power tools only with specifically designated battery packs.** Use of any other battery packs may create a risk of injury and fire.
- c) **When battery pack is not in use, keep it away from other metal objects, like paper clips, coins, keys, nails, screws or other small metal objects that can make a connection from one terminal to another.** Shorting the battery terminals together may cause burns or a fire.
- d) **Under abusive conditions, liquid may be ejected from the battery; avoid contact. If contact accidentally occurs, flush with water. If liquid contacts eyes, additionally seek medical help.** Liquid ejected from the battery may cause irritation or burns.
- e) **Do not use a battery pack or tool that is damaged or modified.** Damaged or modified batteries may exhibit unpredictable behaviour resulting in fire/explosion or risk of injury.
- f) **Do not expose a battery pack or tool to fire or excessive temperature.** Exposure to fire or temperatures above 100 °C may cause explosion.
- g) **Follow all charging instructions and do not charge the battery pack or tool outside the temperature range specified in the instructions.** Charging improperly or at temperatures outside the specified range may damage the battery and increase the risk of fire.

5.7 Service

- a) **Have your power tool serviced by a qualified repair person using only identical replacement parts.** This will ensure that the safety of the power tool is maintained.
- b) **Never service damaged battery packs.** Service of battery packs should only be performed by the manufacturer or authorized service provider.

5.8 Hedge Trimmer Safety Warnings

- a) **Keep all parts of the body away from the cutter blade. Do not remove cut material or hold material to be cut when blades are moving. Make sure the switch is off when clearing jammed material. Blades coast after turn off.** A moment of inattention while operating the hedge trimmer may result in serious personal injury.
- b) **Carry the hedge trimmer by the handle with the cutter blade stopped.** Proper handling of the hedge trimmer will reduce possible personal injury from the cutter blades.
- c) **Hold the power tool by insulated gripping surfaces only, because the cutter blade may contact hidden wiring.** Cutter blades contacting a "live" wire may make exposed metal parts of the power tool "live" and could give the operator an electric shock.

DANGER

- **Keep hands away from blade.** Contact with blade will result in serious personal injury.

SAVE THESE INSTRUCTIONS

6 IMPORTANT SAFETY INSTRUCTIONS

6.1 Intended Use

WARNING

- This hedge trimmer is designed for trimming hedges, shrubs and bushes in yards and gardens. Use of the hedge trimmer for operations different than intended could result in serious injury or death.
- Improper use could result in personal injury or property damage, including damage to the hedge trimmer.
 - Use the hedge trimmer only as described in this manual.
 - Never attempt to modify or override the hedge trimmer's controls or safety devices in any way.

- Never use a hedge trimmer that has been modified or altered from its original design.
- Be sure to read and follow the warnings and instructions for your battery and charger before charging or starting work.
- This power tool may be powered by a STIHL AR series backpack battery. Alternatively, it may be powered by a STIHL AP series battery in combination with a STIHL AP Battery Bag with Connecting Cord.

Batteries, chargers and other accessories are sold separately.

6.2 Operator

WARNING

- Working with the hedge trimmer can be strenuous. The operator must be in good physical condition and mental health. To reduce the risk of personal injury from fatigue and loss of control:
 - Check with your doctor before using the hedge trimmer if you have any health condition that may be aggravated by strenuous work.
 - Do not operate the hedge trimmer while under the influence of any substance (drug, alcohol or medication, etc.) that might impair vision, balance, dexterity or judgment.
 - Be alert. Do not operate the hedge trimmer when you are tired. Take a break if you become tired.
 - Do not permit minors to use the hedge trimmer.
- According to STIHL's current knowledge, the electric motor of this hedge trimmer should not interfere with a pacemaker.
 - However, persons with a pacemaker or other implanted medical device should consult their physician and device manufacturer before operating this hedge trimmer.

6.3 Personal Protective Equipment

WARNING

- To reduce the risk of personal injury:
 - Always wear proper clothing and protective apparel, including proper eye protection.
- Loss of control and severe cut injuries may result if hair, clothing or apparel make contact with the moving cutting blades or otherwise become entangled in the components of the hedge trimmer. To reduce the risk of severe personal injury:



- Wear sturdy and snug-fitting clothing that also allows complete freedom of movement.
- Wear overalls or long pants made of heavy material to help protect your legs. Do not wear shorts.
- Wear a long-sleeve shirt or jacket.
- Avoid loose-fitting jackets, scarves, neckties, flared or cuffed pants, jewelry and any other apparel that could be caught on branches, brush or the moving cutting attachment.
- Secure hair above shoulder level before starting work.

- To reduce the risk of eye injury:



- Always wear goggles or close-fitting protective glasses with adequate side protection that are impact-rated and marked as complying with ANSI Z87 "+".
- Good footing is very important. To help maintain a secure footing and reduce the risk of injury while working:



- Wear substantial footwear with non-slip soles. Do not wear sandals, flip-flops, open-toed or similar footwear.
- To improve your grip and help protect your hands:



- Always wear heavy-duty, non-slip work gloves made of leather or another wear-resistant material when handling the hedge trimmer or its cutting blades.

HSA 94 T only

⚠ WARNING

- Prolonged exposure to power tool noise may result in permanent hearing damage. To reduce the risk of hearing damage:



- Wear sound barriers (ear plugs or ear muffs).
- Regular operators should have their hearing checked periodically.
- Be particularly alert and cautious when using hearing protection. Your ability to hear shouts, alarms or other audible warnings is restricted.

6.4 Hedge Trimmer

⚠ WARNING

- To reduce the risk of electric shock:
 - Do not immerse the hedge trimmer in water or other fluids.
 - Store the hedge trimmer indoors.
- The cutting blades have many sharp cutters. Making contact with the cutters may result in serious laceration injuries, even if the cutting blades are not moving. To reduce the risk of such injuries:
 - Keep hands, feet and other parts of your body away from the cutting blades.
 - Never hold the material to be cut.
 - Never remove cut material without first releasing the trigger switch and removing the connecting cord.

- Wear heavy-duty work gloves when handling the hedge trimmer or its cutting blades.
- Never touch the moving cutting blades with your hand or any other part of your body.
- Cover the cutting blades with a blade scabbard before transporting or storing the hedge trimmer to reduce the risk of inadvertent contact.

- This battery-powered hedge trimmer is intended only for garden and landscape maintenance. Use for other purposes may increase the risk of personal injury and property damage.


- Do not attempt to cut any material other than hedges, shrubs, bushes or similar soft vegetation. Do not cut stems, branches or other vegetation greater than the following diameters:
 - for HSA 94 R: 1.5 in. (38 mm)
 - for HSA 94 T: 1.18 in. (30 mm)

- Read and follow the operating instructions in this manual for approved applications, 17.

- To reduce the risk of personal injury to the operator and bystanders:



- Always release the trigger switch and remove the connecting cord before assembling, transporting, adjusting, inspecting, cleaning, servicing, maintaining or storing the hedge trimmer. Remove the connecting cord in the event of a malfunction or emergency, and any time the hedge trimmer is not in use.
- Release the trigger switch and remove the connecting cord before clearing jammed material.
- Never leave the hedge trimmer unattended when it is connected to a battery.


- Although certain unauthorized attachments may fit your STIHL hedge trimmer, their use may be extremely dangerous. Only attachments supplied by STIHL or expressly approved by STIHL for use with this specific model are recommended.
 - Use only attachments supplied or expressly approved by STIHL.
 - Never modify this hedge trimmer in any way.
 - Never attempt to modify or override the hedge trimmer's controls or safety devices in any way.
 - Never use a hedge trimmer that has been modified or altered from its original design.
- If the hedge trimmer is dropped or subjected to similar heavy impacts:
 - Check that it is undamaged, in good condition and functioning properly before continuing work.
 - Check that the controls and safety devices are working properly.
 - Check the LEDs on the battery for error messages,  23.
 - Never work with a damaged or malfunctioning hedge trimmer or battery. In case of doubt, have the hedge trimmer and battery checked by your authorized STIHL servicing dealer.
- If the hedge trimmer or battery is damaged, not working properly, has been left outdoors or dropped into water or other liquid, its components may no longer function properly and safety devices may be inoperative. To reduce the risk of personal injury and property damage:
 - Take the hedge trimmer and battery to your authorized STIHL servicing dealer to be checked before further operation.
- Genuine STIHL replacement parts are specifically designed to match your hedge trimmer and meet safety and performance requirements. Use of parts that are not authorized or approved by STIHL may cause serious or fatal injury or property damage.
 - STIHL recommends that only identical STIHL replacement parts be used.

6.5 Using the Hedge Trimmer


6.5.1 Before Operation

WARNING

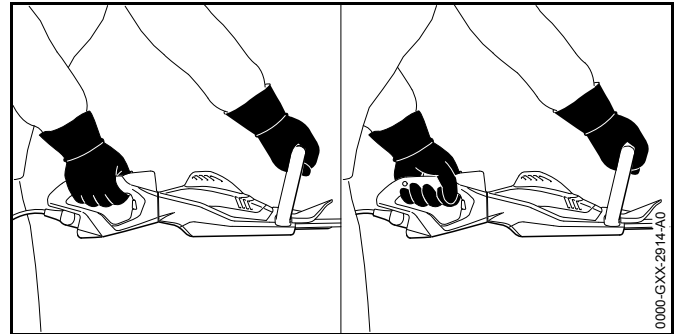
- Misuse or unauthorized use may result in personal injury and property damage.
 - Use the hedge trimmer only as described in this instruction manual.
- Using a hedge trimmer that is modified, damaged, improperly adjusted or maintained, or not completely and securely assembled can lead to a malfunction and increase the risk of serious personal injury or death.
 - Never operate a hedge trimmer that is modified, damaged, improperly maintained or not completely and securely assembled.
 - Always check your hedge trimmer for proper condition and operation before starting work, particularly the retaining latch, trigger switch lockout, trigger switch, switch lever, front hand guard and cutting blades.
 - Ensure that the retaining latch, trigger switch lockout, trigger switch and switch lever move freely and spring back into place when released. The trigger switch must not engage until the retaining latch is unlocked and the trigger switch lockout is depressed.
 - Never attempt to modify or override the controls or safety devices in any way.
 - The cutting blades must move only when the battery is inserted, the retaining latch is unlocked and the trigger switch lockout, trigger switch and switch lever are depressed.
 - If your hedge trimmer or any part is damaged or does not function properly, take it to your authorized STIHL servicing dealer. Do not use the hedge trimmer until the problem has been corrected.

- Before inserting the battery connecting cord into the hedge trimmer's socket:
 - Check the electrical contacts in the socket and on the plug of the connecting cord for corrosion or other foreign matter. Keep clean.
 - If the socket is dirty or corroded, take the unit to your authorized STIHL servicing dealer before use.
 - Never insert or use a malfunctioning, damaged, cracked, leaking or deformed battery.
 - Read and follow the instructions on switching on the hedge trimmer,  15.1.
- To help reduce the risk of serious personal injury or death from unintentional starting:
 - Be sure the retaining latch is in the locked position and the trigger switch is in the off position before inserting the battery connecting cord.
 - Never carry the hedge trimmer with your finger on the trigger switch.
 - Release the trigger switch before removing the connecting cord.
 - Remove the connecting cord before assembling, transporting, adjusting, inspecting, cleaning, servicing, maintaining or storing the hedge trimmer. Remove the connecting cord in the event of a malfunction or emergency, and any time the hedge trimmer is not in use.
 - Never leave the hedge trimmer unattended when it is connected to a battery.
 - Never store the hedge trimmer with the connecting cord in the hedge trimmer's socket.



- Before switching on your hedge trimmer, take the following steps to reduce the risk of personal injury, loss of control or inadvertent contact with the cutting attachment:
 - Be sure that the cutting blades are clear of you and all other obstructions and objects, including the ground.
 - Never switch on the hedge trimmer with material between the cutting blades.
 - Read and follow the instructions on switching on the hedge trimmer,  15.1.

6.5.2 Holding and Controlling the Hedge Trimmer



WARNING

- To maintain a firm grip and properly control your hedge trimmer:
 - Keep the handles clean and dry at all times. Keep them free of moisture, pitch, oil, grease and resin.
- To reduce the risk of serious or fatal injuries to the operator or bystanders from loss of control:
 - Always hold the hedge trimmer firmly with both hands when you are working.
 - Wrap your fingers tightly around the handles, keeping the handles cradled between your thumb and forefinger (see illustration).

- Position the hedge trimmer so that all parts of your body are clear of the cutting attachment whenever the connecting cord is inserted.

- Operating the hedge trimmer with one hand may lead to loss of control and is therefore extremely dangerous. To reduce the risk of serious or fatal injury to the operator or bystanders from loss of control:



- Never attempt to operate the hedge trimmer with one hand.
- Never hold the material to be cut. Never remove cut material without first releasing the trigger switch and removing the connecting cord.
- Release the trigger switch and remove the connecting cord before clearing jammed material.

- To reduce the risk of serious or fatal injuries to the operator or bystanders from loss of control, keep proper footing and balance at all times:
 - Never work on a ladder, roof, in a tree or while standing on any other insecure support.
 - Take special care in overgrown wet terrain and always watch for hidden obstacles such as tree stumps, roots, rocks, holes and ditches to avoid stumbling or falling.
 - Be extremely cautious when working on slopes or uneven ground.
 - For better footing, always clear away fallen branches, scrub, cuttings and other material, objects or vegetation that can increase the danger of slipping, tripping or falling.
 - Never operate the hedge trimmer above shoulder height.
 - Do not overreach. Keep proper footing and balance at all times.
- To reduce the risk of serious or fatal cut injuries to the operator or bystanders from blade contact:



- Keep hands, feet and other body parts away from the cutting blades.

- Do not touch the cutting blades while the connecting cord is inserted in the hedge trimmer.
- Never touch moving cutting blades with your hand or any other part of your body.



- If the cutting blades become jammed by thick branches or other obstructions, release the trigger switch, trigger switch lockout and switch lever immediately and remove the connecting cord from the hedge trimmer before attempting to free the blades.

- To reduce the risk of injury from tripping or losing control of the hedge trimmer:
 - Adjust the battery backpack harness straps so that the backplate fits snugly and securely against your back. Never carry an AR backpack battery or the AP Battery Backpack with the carrying straps over one shoulder.
 - If working with the STIHL AP Battery Bag with Connecting Cord, make sure it is attached securely to your STIHL Battery Belt, STIHL Battery Backpack or a quick-release work belt.
 - Position and secure the connecting cord so that it will not interfere with proper working technique or your ability to control the hedge trimmer. Secure the connecting cord as directed in the instruction manual for your AR backpack battery, AP Battery Bag with Connecting Cord, STIHL Battery Belt or STIHL Battery Backpack.
 - Keep the connecting cord away from the cutting blades.
 - Remain aware of the location of the connecting cord while working. Prevent it from contacting the cutting blades or catching on other objects, which could cause you to lose balance or control, resulting in serious personal injury and property damage.

6.5.3 Working Conditions

⚠ WARNING

- Operate your hedge trimmer only under good visibility during favorable daylight conditions.
 - Postpone the work if the weather is windy, foggy, rainy or inclement.
- Your hedge trimmer is a one-person machine.
 - Bystanders, especially children, and animals should not be allowed in the area where it is in use.
 - Switch off the hedge trimmer immediately if you are approached.
- To reduce the risk of injury to bystanders and unauthorized users:
 - Never leave the hedge trimmer unattended when it is connected to a battery.
 - Switch off the hedge trimmer and remove the connecting cord during work breaks and any other time the hedge trimmer is not in use.
- Sparks generated from operation of the hedge trimmer may be capable of igniting combustible gases, liquids, vapors, dusts or other combustible materials and substances. To reduce the risk of fire and explosion:
 - Never operate the hedge trimmer in a location where combustible gases, liquids, vapors, dusts or other combustible materials and substances are present.
 - Read and follow recommendations issued by government authorities (e.g., OSHA) for identifying and avoiding the hazards of combustible gases, liquids, vapors, dusts or other combustible materials and substances.
- Use of this hedge trimmer (including sharpening the cutting blades) can generate dust and other substances containing chemicals known to cause respiratory problems, cancer, birth defects and other reproductive harm.
 - Consult governmental agencies such as EPA, OSHA, CARB and NIOSH and other authoritative sources on hazardous materials if you are unfamiliar

with the risks associated with the particular substances you are cutting or with which you are working.

- Inhalation of certain dusts, especially organic dusts such as mold or pollen, can cause susceptible persons to have an allergic or asthmatic reaction. Substantial or repeated inhalation of dust or other airborne contaminants, especially those with a smaller particle size, may cause respiratory or other illnesses.
 - Control dust at the source where possible.
 - Always work with properly sharpened cutting blades.
 - To the extent possible, operate the hedge trimmer so that the wind or operating process directs any dust, mist or other particulate matter raised by the hedge trimmer away from the operator.
 - When respirable dust or other particulate matter cannot be kept at or near background levels, always wear a respirator that is approved by NIOSH and rated for worksite-specific conditions. Follow the recommendations of governmental authorities (e.g., OSHA/NIOSH) and occupational and trade associations.
- If the vegetation being cut or the surrounding ground is coated with a chemical substance, such as pesticide or herbicide:
 - Read and follow the instructions and warnings that accompanied the substance coating the vegetation or surrounding ground.

6.5.4 Operating Instructions

⚠ WARNING

- To reduce the risk of serious or fatal cut injuries to the operator or bystanders from blade contact:



- Keep hands, feet and other body parts away from the cutting blades.
 - Do not touch the cutting blades while the connecting cord is inserted.
 - Never touch moving cutting blades with your hand or any other part of your body.
 - Never hold the material to be cut. Never remove cut material without first releasing the trigger switch and removing the connecting cord.
 - Release the trigger switch and remove the connecting cord before clearing jammed material.
- To reduce the risk of severe personal injuries from unintentional starting:
 - Never touch the cutting blades with your hand or any other part of your body while the hedge trimmer is connected to a battery, even when the cutting blades are not moving.



- If the cutting blades become jammed by thick branches or other obstructions, release the trigger switch, trigger switch lockout and switch lever immediately and remove the connecting cord from the hedge trimmer before attempting to free the blades.
- The cutting blades continue to move for a short period after the trigger switch or switch lever is fully released.
 - Wait for the cutting blades to stop before walking with the hedge trimmer or putting it down.
 - In the event of an emergency, switch off the motor immediately and remove the connecting cord from the hedge trimmer.

- Contacting foreign objects while cutting could damage the cutting blades and may cause them to crack, chip, break or jam. To reduce the risk of severe personal injury or death from loss of control, and to reduce the risk of damage to the hedge trimmer:
 - Inspect the material to be cut and the surrounding area for stones, fence wire, metal or other foreign objects before starting work. Do not use the hedge trimmer in areas where the cutting blades could contact such objects.
 - Take particular care when cutting next to, against or near wire fences. Do not touch the wire with the cutting blades.
 - When working close to the ground, make sure that no sand, grit or stones get between the cutting blades.
 - Do not cut any areas of the hedge, bush, shrub or other vegetation that you cannot see.
- To reduce the risk of injury to bystanders:
 - Do not allow other persons in the general work area.
 - If cutting the top of a taller hedge, check the other side of the hedge frequently for bystanders, animals and obstructions.
- Check the cutting blades at regular short intervals during operation, or immediately if there is a change in cutting behavior:
 - Switch off the hedge trimmer and remove the connecting cord.
 - Check the condition, tightness and sharpness of the cutting blades.
 - Inspect the hedge trimmer for loose parts (nuts, screws, etc.) and for cracked, bent, warped or damaged cutting blades. Replace damaged cutting blades before using the hedge trimmer.
 - Always keep the cutting blades sharp.

- To reduce blade friction and the buildup of dirt, which can interfere with the proper functioning of the hedge trimmer:
 - STIHL recommends that you spray the cutting blades with a resin solvent, such as STIHL Resin Remover and Lubricant, before starting work.

▲ DANGER

- To reduce risk of electrocution:



- Never operate this hedge trimmer in the vicinity of any wires or cables that may be carrying electric current.
- Do not rely on the hedge trimmer's insulation against electric shock.

7 Maintenance, Repair and Storage

7.1 Warnings and Instructions

▲ WARNING

- There are no user-authorized repairs for the hedge trimmer, battery or charger. To reduce the risk of fire, electric shock or other personal injury and property damage:
 - Users may carry out only the cleaning and maintenance operations described in this manual.
 - Strictly follow the cleaning and maintenance instructions in the appropriate sections of this instruction manual.
 - STIHL recommends that all repair work be performed by authorized STIHL servicing dealers.
- To reduce the risk of personal injury and property damage from unintentional starting:



- Remove the connecting cord before inspecting the hedge trimmer or carrying out any cleaning, maintenance or repair work. Remove the connecting cord before storing, and any other time the hedge trimmer is not in use.
- The cutting blades are the only user-serviceable parts of the hedge trimmer. Proper maintenance will help maintain cutting performance and reduce the risk of personal injury.
 - Wear heavy-duty, non-slip work gloves when handling the cutting blades.
 - Keep the cutting blades clean and sharp.
 - Tighten all nuts, bolts and screws after each use.
 - Never repair damaged cutting blades by welding, straightening or modifying the shape. This may cause parts of the cutting blades to experience uneven or excessive wear or other damage that can lead to a malfunction or breakage during operation, resulting in serious or fatal injuries.
- Use of parts that are not authorized or approved by STIHL may cause serious or fatal injury or property damage.
 - STIHL recommends that only identical STIHL replacement parts be used for repair or maintenance.
- Improper storage can result in unauthorized use, damage to the hedge trimmer and an increased risk of fire, electric shock and other personal injury or property damage.
 - Remove the connecting cord from the hedge trimmer before storing.
 - Store the hedge trimmer indoors in a dry, secure place that cannot be accessed by children or other unauthorized users.

8 Battery Safety

8.1 Warnings and Instructions

⚠ WARNING

- Read and follow the safety precautions on the battery and all warnings and instructions that accompany it.
- Use of unauthorized batteries can damage the power tool and result in fire, explosion and personal injury and property damage.
 - Use only genuine STIHL AR or AP series batteries with this power tool.
- Use of STIHL AR or AP series batteries for any purpose other than powering STIHL products could be extremely dangerous.
 - Use STIHL AR and AP series batteries only to power compatible STIHL products.
- Use of unauthorized chargers can damage the battery and result in fire, explosion and personal injury and property damage.
 - Charge STIHL AP series batteries only with genuine STIHL AL 101, AL 300 or AL 500 series chargers.
 - Charge STIHL AR series backpack batteries only with genuine STIHL AL 300 or AL 500 series chargers.
- The battery contains safety features and devices which, if damaged, may allow the battery to generate heat, rupture, leak, ignite or explode.
 - Never heat the battery above 212 °F (100 °C).
 - Never incinerate or place the battery on or near fires, stoves or other high-temperature locations.
 - Never use or charge a malfunctioning, damaged, cracked, leaking or deformed battery.
 - Never open, disassemble, crush, drop, subject to heavy impact or otherwise damage the battery.



- Never expose the battery to microwaves or high pressures.
- Never insert objects into the battery's cooling slots.

- Extreme temperatures may cause the battery to generate heat, rupture, leak, ignite or explode, resulting in severe or fatal personal injury and property damage. Exposure to temperatures outside the recommended temperature range may also reduce battery life and performance.



- Use and store the battery only within an ambient temperature range of 14 °F to 122 °F (-10 °C to 50 °C).
- Never store the battery in direct sunlight or inside a vehicle in hot weather.
- To reduce the risk of personal injury and property damage in the event the battery emits smoke, an unusual smell or feels unusually hot while using, charging or storing:
 - Immediately discontinue using or charging the battery. Contact the authorities in the event of fire or explosion.

- To reduce the risk of a short circuit, which could lead to electric shock, fire and explosion:



- Keep STIHL AR 900, 1000, 2000, 3000 backpack batteries dry. Protect from rain, water and other liquids. Attach the rain cover to a STIHL AR 1000, 2000, 3000 battery before starting work in rain or in very damp conditions.
- If a STIHL AP or AR L battery has been exposed to rain during work, remove it from the product and allow it to dry indoors. Make sure it is completely dry before charging or using.
- Never immerse any STIHL battery in water or other liquids.






- Never bridge the battery terminals with wires or other metallic objects.
- Keep a battery that is not in use away from metal objects (e.g., paper clips, nails, coins, keys).

- Never transport or store the battery in a metal container.
 - Store the battery indoors in a dry room.
 - Never store the battery in damp or corrosive environments or in conditions that could lead to corrosion of its metal components.
 - Protect the battery from exposure to corrosive agents such as garden chemicals and de-icing salts.
 - Protect the battery from exposure to conductive liquids such as salt water.
 - Do not attempt to repair, open or disassemble the battery. There are no user-serviceable parts inside.
- Leaking battery fluid is potentially harmful and can cause skin and eye irritation, chemical burns and other serious personal injury.
 - Avoid contact with skin and eyes.
 - Use an inert absorbent such as sand on spilled battery fluid.
 - In the event of accidental contact, immediately rinse the contact area thoroughly with mild soap and water.
 - If fluid gets into your eye(s): do not rub. Rinse water over the open eye(s) for at least 15 minutes and seek medical attention.
 - A battery fire can be dangerous. To reduce the risk of severe personal injury and property damage in the event of fire:
 - Evacuate the area. Fire can spread rapidly. Stay clear of any vapors generated and maintain a safe distance.
 - Contact the fire department.
 - Although water can be used to put out a battery fire, use of a multi-purpose dry chemical fire extinguisher is preferable.
 - Consult the fire department regarding proper disposal of a burned battery.

9 Before Starting Work

9.1 Preparing the Hedge Trimmer for Operation

Before starting work:

- ▶ Fully charge the battery,  10.
- ▶ Fit and adjust the STIHL AR backpack battery, STIHL Battery Belt or STIHL Battery Backpack,  12.
- ▶ Check the controls for proper function and condition,  16.1.
- ▶ Check the cutting attachment for damage or other problems.

10 Charging the Battery

10.1 Setting up the Charger

WARNING

Read and follow the safety precautions on the battery and charger and all warnings and instructions that accompany those products. To reduce the risk of short circuit, which could lead to electric shock, fire and explosion, make sure the charger and its components are dry and not damaged; operate the charger indoors at an appropriate ambient temperature.

WARNING

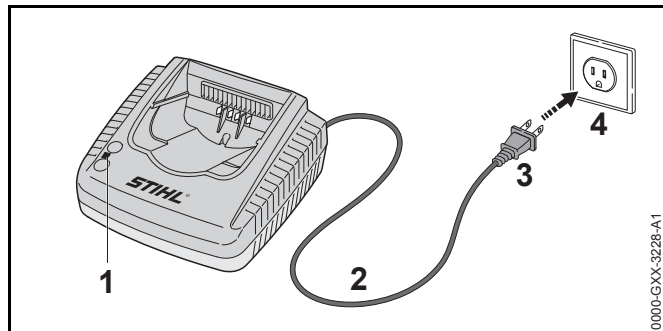
A typical household electric circuit is between 15 and 20 amps. A single STIHL AL 500 charger draws approximately 4.8 amps. A single AL 300 charger draws approximately 4.4 amps. To reduce the risk of fire from overloading an electrical circuit:

- ▶ Ensure the electrical system is rated to withstand the expected electrical draw before charging your battery.
- ▶ Charge multiple batteries one at a time or on separate circuits, unless you know your circuit can handle the total expected draw from multiple chargers.

! WARNING

Since the charger heats up during the charging process, do not operate the charger on a combustible surface or in a location where combustible gases, liquids, vapors, dusts or other materials and substances are present.

To set up the charger:



- ▶ Insert the plug (3) into a properly installed electrical outlet (4) matching the voltage and electrical frequency stated on the rating plate on the charger.

The charger runs a self-test immediately after it is plugged in. The charger LED (1) will glow green for about 1 second, then it will glow red briefly before going out. Once the LED goes out, the self-test is complete and the charger is ready to charge the battery.

- ▶ Position the power supply cord (2) so that it will not be stepped on, tripped over, come in contact with sharp objects or moving parts or otherwise be subjected to damage or stress.

10.2 Charging

! WARNING

STIHL batteries contain safety features and devices which, if damaged, may allow the battery to generate heat, rupture, leak, ignite or explode. Never charge a malfunctioning, damaged, cracked, leaking or deformed battery, or use a charger that has been damaged. Never insert a wet battery

or battery adapter. Never use a wet charger. Follow all product-specific warnings and instructions accompanying your battery and charger.

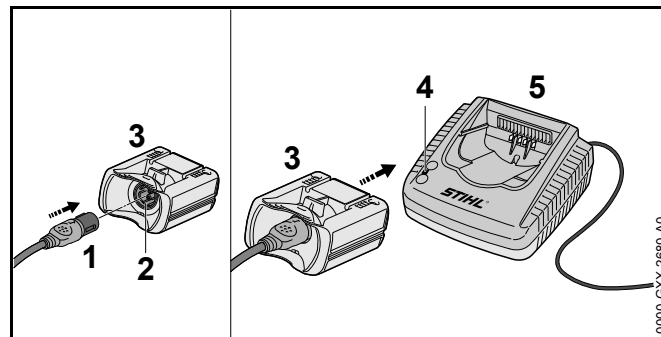
A battery is not fully charged when it ships from the factory. STIHL recommends that you fully charge the battery before using it the first time.

Operate the charger only indoors, in dry rooms and within an ambient temperature range of 41 °F to 104 °F (5 °C to 40 °C).

The battery heats up during operation of the power tool. If a hot battery is connected to the charger, it may be necessary for it to cool down before charging starts. The charging process begins only after the battery has cooled down sufficiently.

Charging time depends on a number of factors, including battery condition and the ambient temperature. For a complete list of approximate charging times, see www.stihl.com/charging-times.

To charge an AR battery:



- ▶ Push the plug of the connecting cord (1) into the socket (2) of the AP Adapter (3) until it stops.

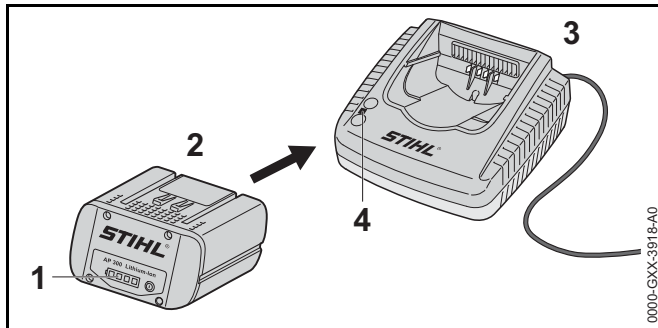
- ▶ Push the AP Adapter into the charger (5) until it stops. The LED on the **charger** (4) glows green when the battery is charging.

The LEDs on the **AR battery** glow green and show the state of charge.

When the LEDs on the battery turn off, the charging process is complete and the charger will shut itself off. The AP Adapter can be removed from the charger.

- ▶ Disconnect the power supply cord from the electrical outlet when the charger is not in use for extended periods of time.
- ▶ Charge STIHL AR backpack batteries only with genuine STIHL AL 300 or AL 500 series chargers.

To charge an AP battery:



- ▶ Push the battery (2) into the charger (3) until it stops. The LED on the **charger** glows green when the battery is charging.

The LEDs (1) on the **AP battery** glow green and show the state of charge.

When the LEDs on the battery go out, the charging process is complete and the charger will shut itself off. The AP battery can be removed from the charger.

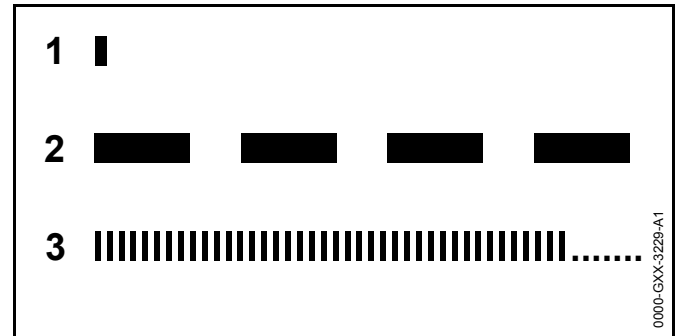
- ▶ Disconnect the power supply cord from the electrical outlet when the charger is not in use.
- ▶ Charge STIHL AP series batteries only with genuine STIHL AL 101, AL 300 or AL 500 series chargers.

11 LED Diagnostics and Acoustic Signals

11.1 STIHL AR Backpack Battery

11.1.1 Battery Status

Six LEDs and an acoustic signal indicate the status of the battery.



1 A short beep

The acoustic signal works as it should.

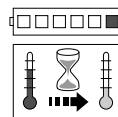
2 Four or six (AR L) long beeps

The battery's charge is low. Recharge the battery.

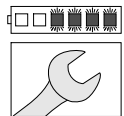
3 Rapid succession of short beeps

There is a malfunction in the battery. The signal stops automatically after a few seconds. Do not attempt to charge, use or store the battery. Replace the battery.

These LEDs can glow or flash green or red.



If one LED glows red continuously: the battery is either too hot or too cold. Allow the battery to warm up or cool down gradually at an ambient temperature of about 50 °F to 68 °F (10 °C to 20 °C).



If the four right side LEDs flash red and a rapid succession of several short beeps is emitted: the battery has a malfunction and must be replaced. Do not attempt to charge, use or store the battery.

- ▶ Be aware that your ability to hear the acoustic signal may be reduced when wearing hearing protection.

11.1.2 Power Tool Status

When the battery is connected to the power tool, the same LEDs on the battery will indicate the status of the power tool.

If three LEDs glow red continuously: the power tool motor is too hot. Allow the motor to cool down.

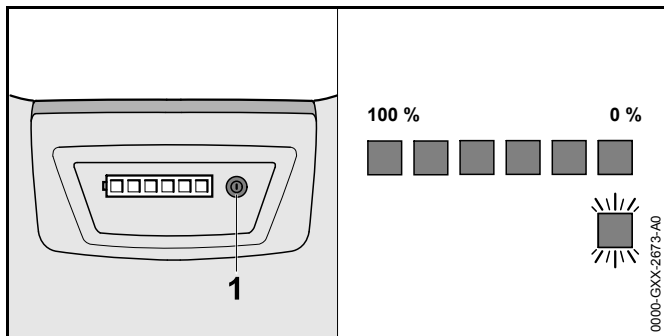
If three LEDs flash red when you activate the trigger switch: the power tool has an electrical malfunction. Do not operate the power tool. Have it checked by an authorized STIHL servicing dealer before use or storage.

For troubleshooting information, 23.

11.1.3 Charge Status

The LEDs and acoustic signals on the battery also indicate the battery's state of charge.

To determine the battery's state of charge:



- ▶ Press the button (1) on the backpack battery.

A single short beep will be emitted. The LEDs on the battery will glow or flash green for about 5 seconds and indicate the state of charge (see illustration).

For example:

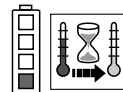
If six green LEDs glow continuously: full charge.

If one green LED is flashing and four long beeps are emitted: less than 20 % charge.

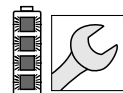
11.2 STIHL AP Battery

11.2.1 Battery Status

Four LEDs show the status of the battery. These LEDs can glow or flash green or red.



If one LED glows red continuously: the battery is either too hot or too cold. Allow the battery to warm up or cool down gradually at an ambient temperature of about 50 °F to 68 °F (10 °C to 20 °C).



If all 4 LEDs flash red: the battery has a malfunction and must be replaced. Do not attempt to charge, use or store the battery.

11.2.2 Power Tool Status

The same LEDs on the battery will indicate the status of the power tool.

If three LEDs glow red continuously: the power tool motor is too hot. Allow the motor to cool down.

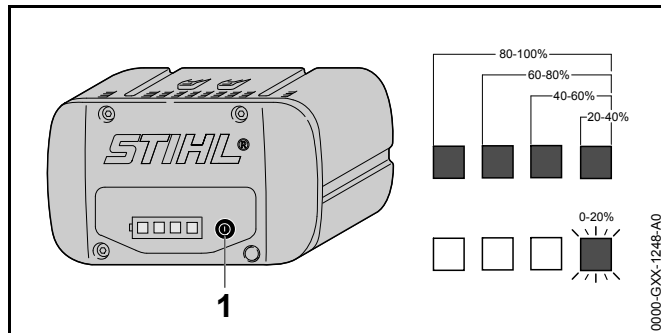
If three LEDs flash red when you activate the trigger switch: the power tool has an electrical malfunction. Do not operate the power tool. Have it checked by an authorized STIHL servicing dealer before use or storage.

For troubleshooting information, 23.

11.2.3 Charge Status

The LEDs on the battery also show the battery's state of charge.

To determine the battery's state of charge:



- ▶ Press the button (1) on the battery. The LEDs on the battery will glow or flash green for about 5 seconds and indicate the state of charge (see illustration).

For example:

If four green LEDs glow continuously: full charge.

If one green LED is flashing: less than 20 % charge.

12 Using a Battery Harness

12.1 STIHL AR Backpack Battery

12.1.1 Positioning and Adjusting the Connecting Cord

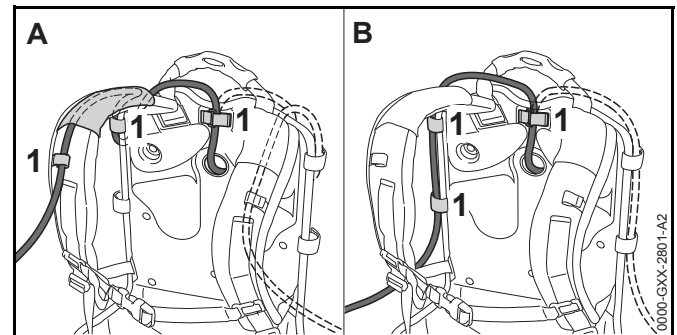
! WARNING

To reduce the risk of injury from tripping or losing control of the power tool, always secure the connecting cord through the backpack guides and with the hook and eye fasteners as described below. Position and secure the connecting cord so that it will not interfere with proper working technique or your ability to maintain control of the power tool.

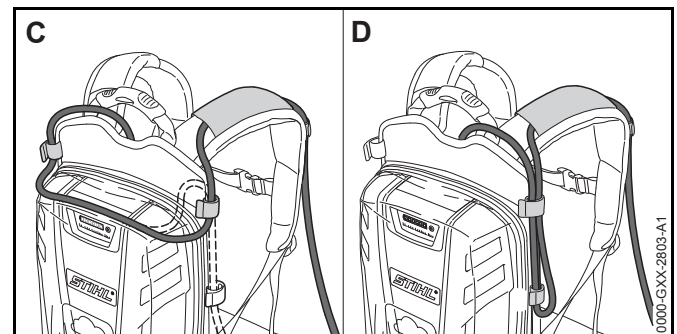
! WARNING

Manage the cord to prevent it from contacting the cutting/working attachment or catching on objects, which could cause you to lose balance or control of the power tool, resulting in serious personal injury and property damage.

The connecting cord can be secured in different positions and adjusted to suit the height and reach of the operator.



The connecting cord can run through the guide on the shoulder strap (Illustration A), or along the back plate (Illustration B). Secure the connecting cord to the backpack frame with the hook and eye fasteners (1). Always secure the connecting cord using the guide or hook and eye fasteners on the side of the body on which the power tool is held and controlled. Do not allow the connecting cord to swing across your body or hang at your side.



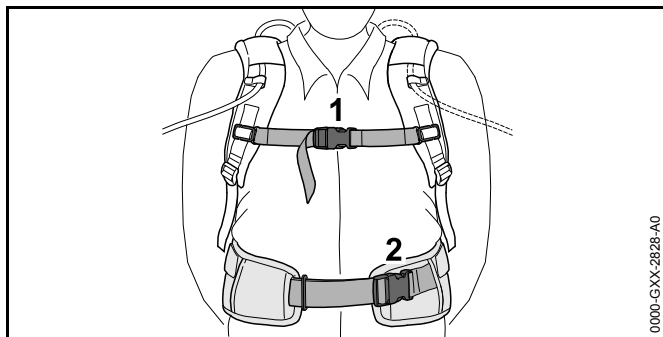
The length of the connecting cord can be adjusted by making a loop around the top (Illustration C) or on the side (Illustration D) of the backpack battery with the hook and eye fasteners.

12.1.2 Putting on and Adjusting the Battery Backpack

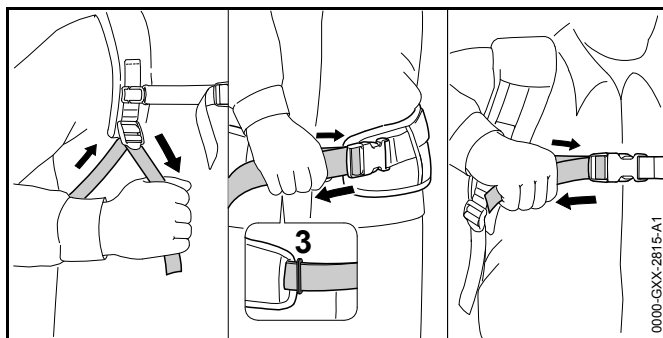
⚠ WARNING

The operator must be able to remove the battery backpack quickly in the event of an emergency. To reduce the risk of injury in an emergency, remove the waist belt and chest strap quickly before dropping the battery backpack to the ground.

To ensure a proper fit:



- ▶ Put the battery backpack on your back.
- ▶ Fasten and adjust the waist belt (2) so that it rests comfortably but securely on your hips.
- ▶ Fasten the chest strap (1) and adjust it so that it fits comfortably but securely across your chest.



- ▶ Adjust the harness straps so that the backpack fits firmly and securely against your back.

- ▶ Thread the end of the waist belt through the loop (3).
- ▶ To remove the harness, open the quick-release fasteners on the waist belt and chest strap and loosen the harness straps by lifting the sliding adjusters.

To help reduce the risk of injury in the event of an emergency, practice quickly opening the fasteners on the waist belt and chest strap, loosening the shoulder straps and removing the battery.

NOTICE

To avoid damage, ease the battery to the ground when practicing. Do not allow the battery to drop to the ground and do not throw it.

12.2 STIHL Battery Backpack

12.2.1 Mounting the AP Battery Bag with Connecting Cord inside the Battery Backpack

⚠ WARNING

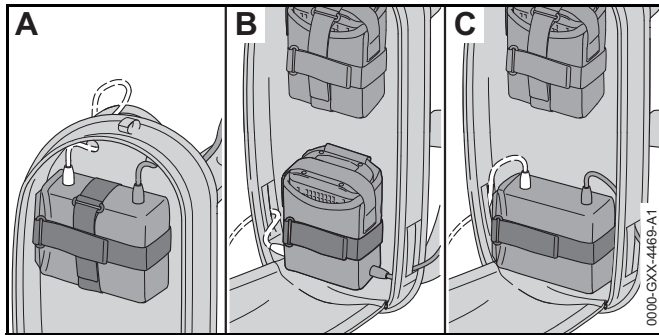
To reduce the risk of injury from tripping or losing control of the power tool, always secure the connecting cord with the hook and eye fasteners on the cord holder. Position and secure the connecting cord so that it will not interfere with proper working technique or your ability to maintain control of the power tool.

⚠ WARNING

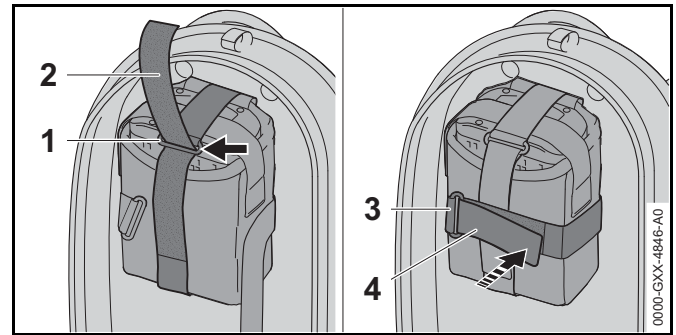
Manage the cord to prevent it from contacting the cutting/working attachment or catching on objects, which could cause you to lose balance or control of the power tool, resulting in serious personal injury and property damage.

⚠ WARNING

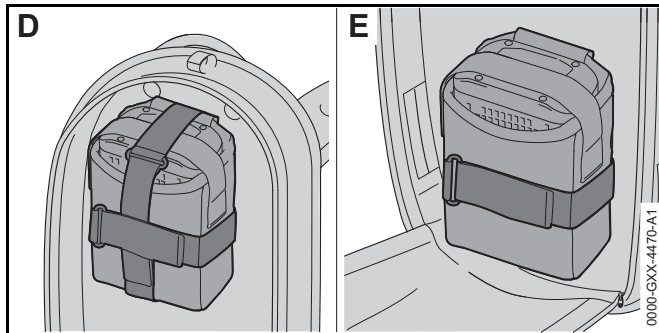
Never transport metallic, pointed or sharp objects in the battery bag or battery backpack. They may bridge the electrical contacts in the battery and cause a short circuit once a battery is inserted.



The AP Battery Bag with Connecting Cord can be mounted at the top (Illustration A) or bottom (Illustrations B and C) fastening points inside the STIHL Battery Backpack. Mount so that the connecting cord exits the backpack on the side of your body where the power tool will be held and controlled.



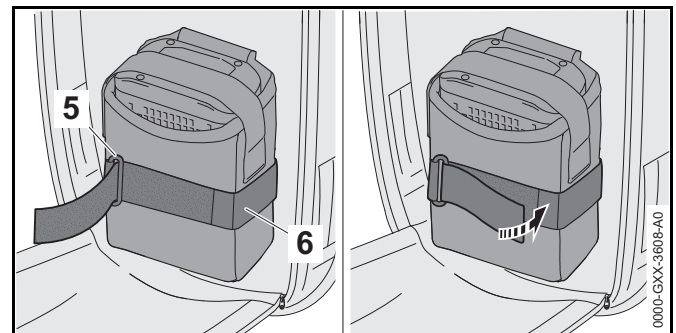
- ▶ If you attach the battery bag at the top position, pull the vertical strap (2) through the ring (1) and close the hook and eye fastener to secure it.
- ▶ Repeat the process with the horizontal strap (4) and its ring (3).



The STIHL Extra AP Battery Bag can be mounted at the top (Illustration D) or bottom (Illustration E) fastening points inside the STIHL Battery Backpack.

To attach the AP Battery Bag with Connecting Cord or Extra AP Battery Bag to the STIHL Battery Backpack:

- ▶ Insert the AP battery into the AP Battery Bag with Connecting Cord or Extra AP Battery Bag.
- ▶ Attach the AP Battery Bag with Connecting Cord or Extra AP Battery Bag at one of the specified locations.



- ▶ If you attach the battery bag at the bottom position, pull the horizontal belt strap (6) through the ring (5) and close the hook and eye fastener to secure it.

12.2.2 Positioning and Adjusting the Connecting Cord

⚠ WARNING

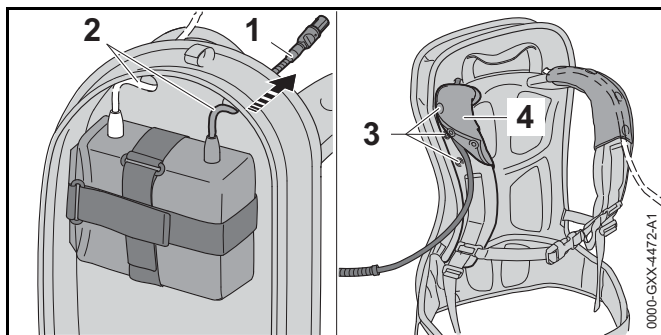
To reduce the risk of injury from tripping on the connecting cord or losing control of the power tool, always secure the connecting cord with the hook and eye fastener as described below. Position and secure the connecting cord so that it will not interfere with the proper working technique or your ability to maintain control of the power tool.

⚠ WARNING

Manage the cord to prevent it from contacting the cutting/working attachment or catching on objects, which could cause you to lose balance or control of the power tool, resulting in serious personal injury and property damage.

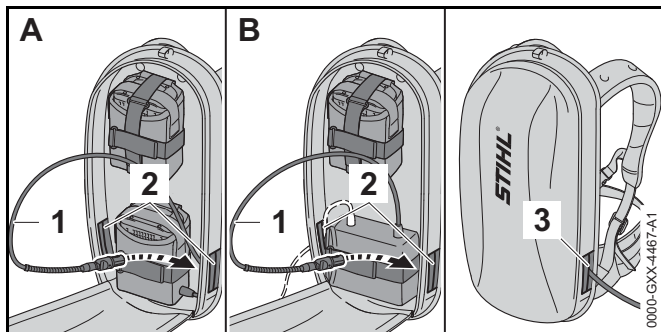
The connecting cord can be secured in different positions and adjusted to suit the height and reach of the operator.

To run the connecting cord through the guide in the shoulder strap:



- ▶ Insert the connecting cord (1) through the opening (2) on the side of side of your body where the power tool is held and controlled.
- ▶ Undo the snaps (3) and run the connecting cord through the guide (4) on the shoulder strap.
- ▶ Close the snaps to secure the cord in the guide.

To run the connecting cord to the side:



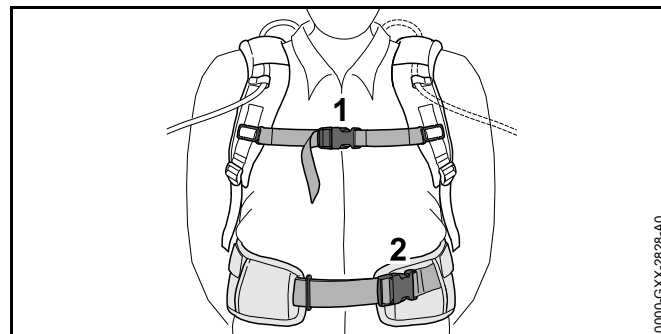
- ▶ Insert the connecting cord (1) through the opening (2) on the side of your body where the power tool is held and controlled (Illustration A or B).
- ▶ Secure the connecting cord using the hook and eye fastener (3).

12.2.3 Putting on and Adjusting the Battery Backpack

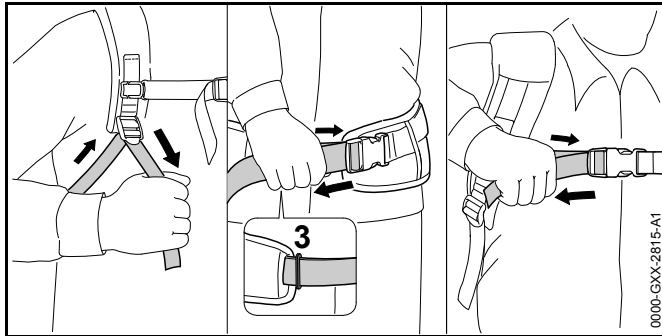
⚠ WARNING

The operator must be able to remove the battery backpack quickly in the event of an emergency. To reduce the risk of injury in an emergency, remove the waist belt and chest strap quickly before dropping the battery backpack to the ground.

To ensure a proper fit:



- ▶ Put the battery backpack on your back.
- ▶ Fasten and adjust the waist belt (2) so that it rests comfortably but securely on your hips.
- ▶ Fasten the chest strap (1) and adjust it so that it fits comfortably but securely across your chest.



- ▶ Adjust the harness straps so that the backpack fits firmly and securely against your back.
- ▶ Thread the end of the waist belt through the loop (3).
- ▶ To remove the harness, open the quick-release fasteners on the waist belt and chest strap and loosen the harness straps by lifting the sliding adjusters.

To help reduce the risk of injury in the event of an emergency, practice quickly opening the fasteners on the waist belt and chest strap, loosening the shoulder straps and removing the battery.

NOTICE

To avoid damage, ease the battery to the ground when practicing. Do not allow the battery to drop to the ground and do not throw it.

12.3 STIHL Battery Belt

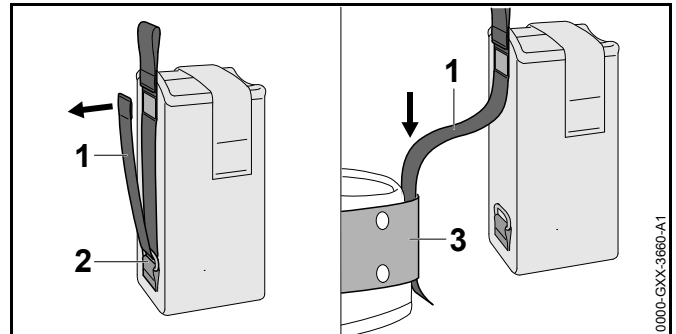
12.3.1 Mounting the AP Battery Bag to the STIHL Battery Belt

⚠ WARNING

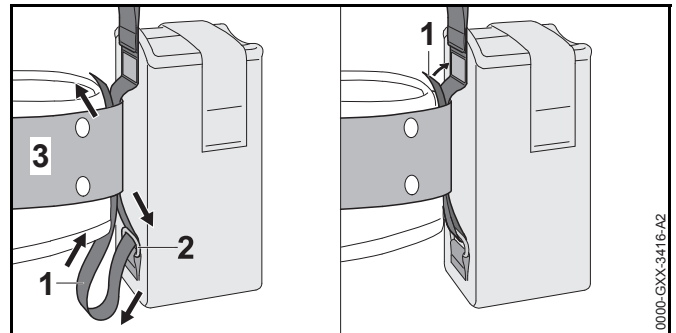
To reduce the risk of injury from tripping or losing control of the power tool, always secure the connecting cord with the hook and eye fasteners. Position and secure the connecting cord so that it will not interfere with proper working technique or your ability to maintain control of the power tool.

⚠ WARNING

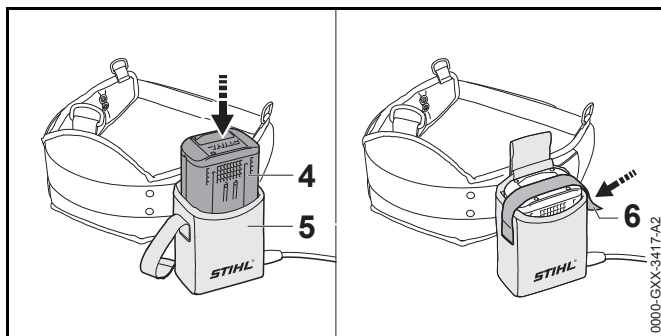
Manage the cord to prevent it from contacting the cutting blades or catching on objects, which could cause you to lose balance or control of the power tool, resulting in serious personal injury and property damage.



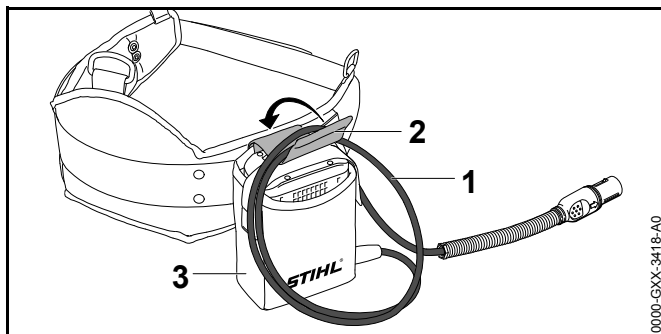
- ▶ Open the hook and eye fastener on the strap (1) and pull the strap out of the ring (2).
- ▶ Pull the strap through the battery belt (3).



- ▶ Pull the strap (1) back through the ring (2) and battery belt (3).
- ▶ Fasten the hook and eye fastener.



- ▶ Insert the AP battery (4) into the battery compartment (5).
- ▶ Secure the battery with the hook and eye fastener (6).



The length of the connecting cord can be adjusted by making a loop (1) and securing it to the top of the battery bag (3) with the hook and eye buckle (2).

- ▶ Always position and secure the connecting cord so that it will not interfere with proper working technique or your ability to maintain control of the power tool.

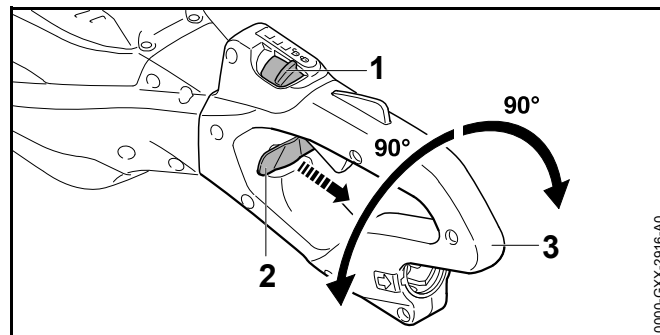
13 Adjusting the Hedge Trimmer

13.1 Rotating the Control Handle

The control handle can be rotated to any one of three positions to suit the application.

To rotate the control handle:

- ▶ Switch off the hedge trimmer, 15.2.
- ▶ Remove the connecting cord, 14.2.



- ▶ Ensure that the retaining latch (1) is in the locked position.
- ▶ Pull up on the blocking lever (2) and hold it in this unlocked position.
- ▶ Rotate the control handle (3) clockwise or counter-clockwise.
- ▶ Release the blocking lever and return it to the locked position.
- ▶ Rotate the control handle clockwise or counter-clockwise to make sure it has engaged in position.

The control handle must be locked in place before inserting the connecting cord and starting work.

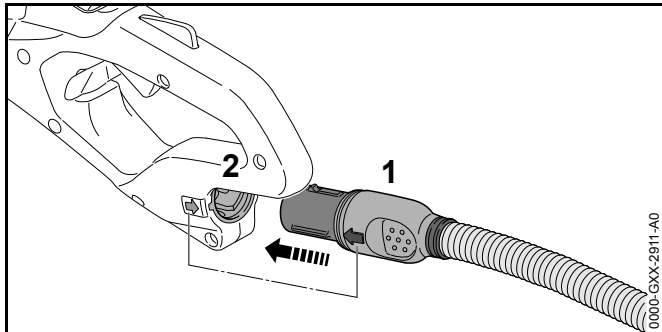
14 Inserting and Removing the Connecting Cord

14.1 Inserting the Connecting Cord

WARNING

Never use a malfunctioning, damaged, cracked, leaking or deformed battery, 8. Use and store the battery only within an ambient temperature range of 14 °F to 122 °F (- 10 °C to 50 °C), 8.

To insert the connecting cord:



- ▶ Line up the arrow on the connecting cord plug (1) with the arrow on the socket (2).
- ▶ Push the plug straight into the socket with steady, even pressure until it is fully inserted.

14.2 Removing the Connecting Cord

⚠ WARNING

To reduce the risk of severe personal injury from unintended activation, always remove the connecting cord before assembling, transporting, adjusting, cleaning, servicing, maintaining or storing the hedge trimmer. Remove the connecting cord in the event of malfunction or emergency and any time the hedge trimmer is not in use.

⚠ WARNING

To reduce the risk of electric shock or personal injury from the loss of control, always switch off the trimmer before removing the connecting cord from the socket.

To remove the connecting cord:

- ▶ Release trigger switch.
- ▶ Pull the plug straight out of the hedge trimmer socket with steady, even pressure.

NOTICE

Avoid exposing the battery to excessive heat or cold or prolonged periods of direct sunlight. Use or storage outside the recommended ambient temperature range can reduce the performance and/or service life of the battery.

15 Switching the Hedge Trimmer On and Off

15.1 Switching On

⚠ WARNING

To reduce the risk of serious or fatal injuries to the operator or bystanders from blade contact, keep hands, feet and other parts of the body away from the cutting blades, 6.5.2. Do not touch the cutting blades while the connecting cord is inserted. Never touch moving cutting blades with your hand or any part of your body, 6.5.4.

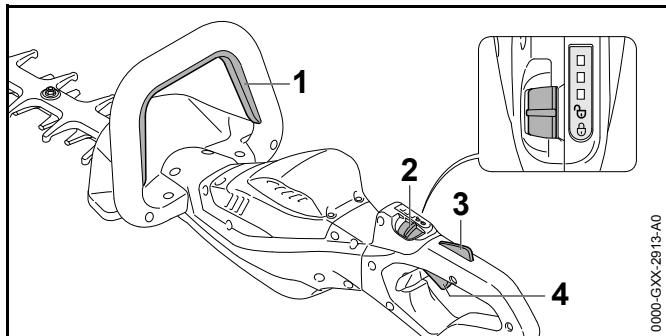
⚠ WARNING

Never operate your hedge trimmer if it is modified, damaged, improperly adjusted or maintained, not completely and securely assembled or not functioning properly, 6.4. To reduce the risk of personal injury, always wear proper clothing and protective apparel, including proper eye protection, when operating your hedge trimmer, 6.3. To reduce the risk of serious or fatal injury from loss of control, always hold the hedge trimmer with both hands when you are working, 6.5.2.

Before switching on:

- ▶ Make sure you have a secure and firm footing.
- ▶ Stand upright.
- ▶ Always hold and operate the hedge trimmer with one hand firmly on the rear or control handle and the other hand firmly on the front or loop handle.

To switch the hedge trimmer on:



- ▶ Depress and hold the switch lever (1).
- ▶ Unlock the retaining latch (2) by pushing it forward with your thumb. Hold it in this unlocked position.
- ▶ Depress and hold the trigger switch lockout (3). The retaining latch can now be released and will stay in the unlocked position.
- ▶ Squeeze the trigger switch (4) with your index finger. The cutting blades will start moving.

The motor will not switch on unless the retaining latch is unlocked and the switch lever, trigger switch lockout and trigger switch are pressed at the same time.

The further the trigger switch is squeezed, the faster the cutting blades will move.

15.2 Switching Off

WARNING

The cutting blades will continue to move for a short while after the trigger switch or switch lever is released. To avoid serious or fatal injury, avoid contact with the moving cutting blades. To reduce the risk of personal injury from unintended activation or unauthorized use, switch off the motor, ensure the cutting blades have stopped and remove the connecting cord before transporting or putting the hedge trimmer down.

To switch the hedge trimmer off:

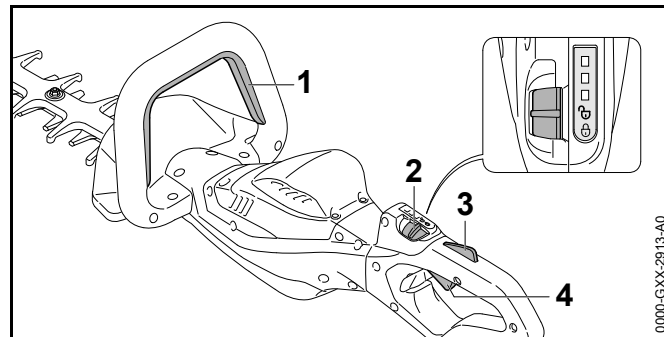
- ▶ Release the trigger switch and trigger switch lockout. Once the trigger switch and trigger switch lockout have been released, the retaining latch will return to its locked position and activation of the trigger switch will be blocked.

The cutting blades will continue to move for a short time after the trigger switch or switch lever is released. Take care to avoid contact after releasing the trigger switch and when setting down the hedge trimmer.

16 Checking the Hedge Trimmer


16.1 Testing the Controls

Before starting work, confirm that the switch lever (1), retaining latch (2), trigger switch lockout (3) and trigger switch (4) are undamaged and functioning properly:



Retaining Latch (2), Trigger Switch Lockout (3) and Trigger Switch (4)

WARNING

To reduce the risk of serious or fatal injuries, keep hands, feet and other parts of the body away from the cutting blades. Do not touch the cutting blades while the connecting cord is inserted. Never touch moving cutting blades with your hand or any part of your body,  6.5.2. Keep bystanders out of the area while testing the controls.


To test the retaining latch, trigger switch lockout and trigger switch:

- ▶ Remove the connecting cord.
- ▶ Unlock the retaining latch by pushing it forward with your thumb.
- ▶ Hold the retaining latch in the unlocked position.
- ▶ Depress the trigger switch lockout and the trigger switch momentarily.
- ▶ Release the retaining latch, trigger switch lockout and trigger switch.
The retaining latch, trigger switch lockout and trigger switch should return to their respective locked positions. If they do not, take the hedge trimmer to an authorized STIHL servicing dealer to be repaired before use.

If you can depress the trigger switch without first unlocking the retaining latch and depressing the trigger switch lockout, take the hedge trimmer to an authorized STIHL servicing dealer to be repaired before use.

Switch Lever (1)

WARNING

To reduce the risk of serious or fatal injuries, keep hands, feet and other parts of the body away from the cutting blades. Do not touch the cutting blades while the connecting cord is inserted. Never touch moving cutting blades with your hand or any part of your body,  6.5.2. Keep bystanders out of the area while testing the controls.

To test the switch lever:

- ▶ Insert the connecting cord into the hedge trimmer socket.
- ▶ Hold the hedge trimmer firmly with both hands, your fingers wrapped tightly around the handles.
- ▶ Unlock the retaining latch by pushing it forward with your thumb.
- ▶ Hold the retaining latch in the unlocked position.
- ▶ Depress the trigger switch lockout and the trigger switch only. Do not depress the switch lever.
The cutting blades should not start moving. If they do start moving, take the hedge trimmer to an authorized STIHL servicing dealer to be repaired before use.

- ▶ Next, hold the hedge trimmer firmly with both hands, your fingers wrapped tightly around the handles. Switch on the hedge trimmer by depressing the trigger switch lockout, the trigger switch and the switch lever momentarily. The blades should start moving. Release the trigger switch or switch lever. The blades should stop moving.

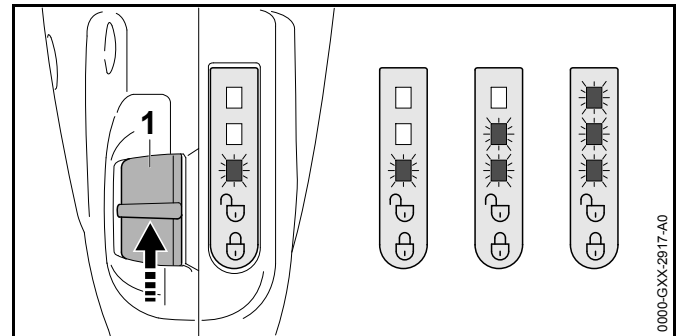
If the cutting blades do not start when you depress the trigger switch and switch lever, or if they do not stop after you release the trigger switch or switch lever, remove the connecting cord and take the hedge trimmer to an authorized STIHL servicing dealer to be repaired before use.

17 During Operation

17.1 Selecting the Power Level

The unit can be operated at three different power settings, indicated by LEDs on the control handle. The higher the power level, the faster the cutting blades will move.

To set the power level:






- ▶ Push the retaining latch (1) forward with your thumb. The LEDs indicate the power level.
- ▶ Push the retaining latch forward, hold it for approximately 1 second to activate the next power level. Performing this operation at the highest power level will cause the unit to return to the first power level.


Generally, battery life will be shorter when operating the hedge trimmer continuously at the higher power levels.

17.2 Using the Hedge Trimmer

⚠ WARNING

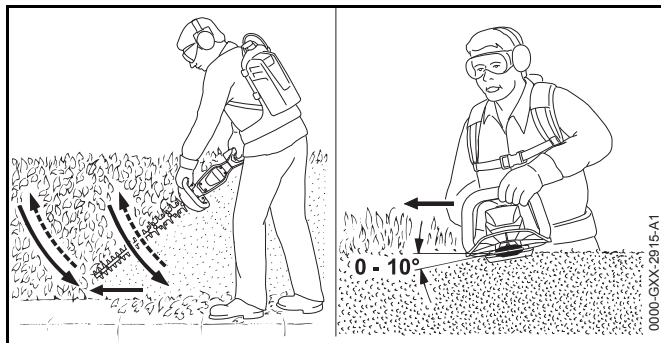
To reduce the risk of personal injury, never work with the hedge trimmer in the rain or in wet or damp conditions,  6.4. Always wear proper clothing and protective apparel, including proper eye protection,  6.3. Work carefully and maintain proper control of the hedge trimmer,  6.5.2.

⚠ WARNING

To avoid serious or fatal injury, avoid contact with the moving cutting blades. Never hold the material to be cut. Never remove cut material without first releasing the trigger switch and removing the connecting cord. Release the trigger switch and remove the connecting cord before clearing jammed material,  6.5.4.

The hedge trimmer is designed for two-handed operation.

- ▶ Before starting work with the hedge trimmer, remove thick branches with a hand pruning saw, loppers, chain saw or other appropriate tool.
- ▶ Do not cut stems, branches or other vegetation greater than the following diameters:
 - HSA 94 R: 1.5 in. (38 mm)
 - HSA 94 T: 1.18 in. (30 mm)



Cutting in a Vertical Plane

- ▶ Swing the cutting blades from the bottom of the hedge upwards in a controlled arc (see illustration above).
- ▶ Lower the nose of the cutting blades, move along the hedge and swing the cutting blades up again in a controlled arc.

Cutting in a Horizontal Plane

- ▶ Hold the cutting attachment at an angle of 0° to 10° as you move the cutting blades horizontally, using both sides of the cutting blades (see illustration above).

Observe all applicable laws, regulations, standards and ordinances.



18 After Finishing Work

18.1 Preparing for Transportation or Storage

⚠ WARNING

To reduce the risk of personal injury from unintended activation or unauthorized use, switch off the motor, ensure the cutting blades have stopped and remove the connecting cord before transporting the hedge trimmer or putting it down.

To prepare the hedge trimmer for transportation or storage:

- ▶ Switch off the hedge trimmer,  15.2.
- ▶ Remove the connecting cord,  14.2.
- ▶ Slide a blade scabbard over the cutting blades so that it covers the entire cutting attachment.
- ▶ If the hedge trimmer became wet during operation, allow it to dry completely before charging or storing.

19 Transporting

19.1 Hedge Trimmer

⚠ WARNING

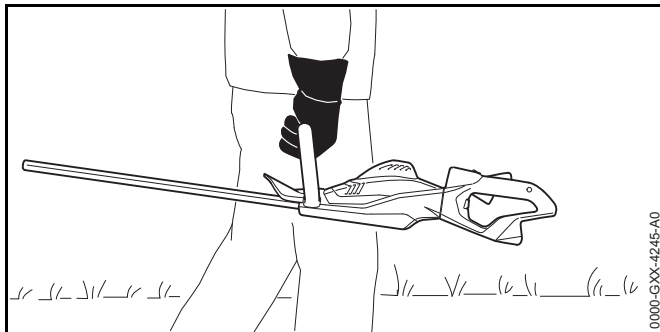
To reduce the risk of personal injury from unintended activation, never transport the hedge trimmer with the connecting cord inserted.

⚠ WARNING

Cover the entire length of the cutting blades with a blade scabbard before transporting or storing the hedge trimmer to reduce the risk of cut injuries from inadvertent contact.

When transporting the hedge trimmer:

- ▶ Slide a blade scabbard over the cutting blades so that it covers the entire cutting attachment.



- ▶ When transporting the hedge trimmer by hand, hold it by the loop handle with the cutting blades pointing backwards, opposite the direction in which you are walking.
- ▶ When transporting the hedge trimmer in a vehicle, cover the entire length of the cutting blades with a blade scabbard. Secure and position the hedge trimmer to prevent turnover, impact and damage.

Your hedge trimmer comes standard with a blade scabbard.

20 Storing

20.1 Hedge Trimmer

⚠ WARNING

Store the hedge trimmer indoors in a dry, secure place that is inaccessible to children and other unauthorized users, 7. Improper storage can result in unauthorized use and damage to the hedge trimmer, 7.

⚠ WARNING

To reduce the risk of unintended activation, never store the hedge trimmer with the connecting cord inserted. Always remove the connecting cord before storing.

When storing the hedge trimmer:

- ▶ Clean the hedge trimmer, 21.1.
- ▶ Clean the cutting blades, 21.2.
- ▶ Store the hedge trimmer indoors in a dry and secure location, out of the reach of children and other unauthorized persons.

21 Cleaning

21.1 Cleaning the Hedge Trimmer

⚠ WARNING

To reduce the risk of personal injury from unintended activation, remove the connecting cord before carrying out any cleaning work, 7. Users of this hedge trimmer should carry out only the cleaning described in this manual.

To clean the hedge trimmer:



- ▶ Clean the hedge trimmer's polymer components with a slightly dampened cloth. Do not use detergents or solvents. They may damage the polymer components.
- ▶ Do not use a pressure washer to clean the hedge trimmer or otherwise spray it with water or other liquids.

- ▶ Keep the socket free from foreign matter and clean as necessary with a soft brush or soft, dry cloth.

NOTICE

Never spray the hedge trimmer with water. Spraying it with a stream of water could result in damage to the electronics and other systems.

21.2 Cleaning the Cutting Blades**⚠ WARNING**

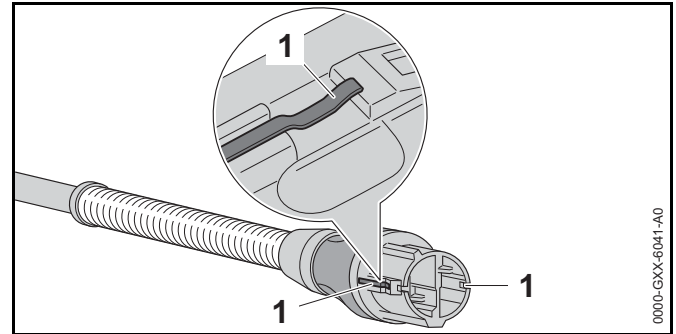
To reduce the risk of personal injury from unintended activation, remove the connecting cord before carrying out any cleaning work,  7. Users of this hedge trimmer should carry out only the cleaning described in this manual. To help prevent injuries, always wear heavy-duty work gloves when handling the hedge trimmer or its cutting blades,  6.3.

To clean the cutting blades:

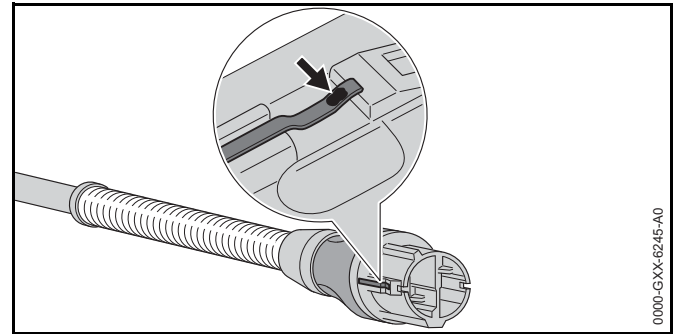
- ▶ Spray both sides of the cutting blades with a resin solvent, such as STIHL Resin Remover and Lubricant.
- ▶ Insert the connecting cord and switch on the hedge trimmer for a few seconds to evenly distribute the resin solvent throughout the cutting blades.
- ▶ Do not use a pressure washer to clean the cutting blades or spray them with water or other liquids.

21.3 Cleaning the Contact Surfaces of the Connecting Cord

- ▶ Remove the Connecting Cord,  14.2.



- ▶ Clean the contact surfaces (1) with a dry cloth.



- ▶ If discoloration (arrow) is still visible on the contact surfaces: Sand down the discoloration with fine grade sand paper (P 600) until the contact surfaces shine again.

22 Inspection and Maintenance

22.1 Inspection and Maintenance Chart

Always remove the connecting cord before carrying out any inspection, cleaning or maintenance.

| The following maintenance intervals are examples and apply for normal operating conditions. Actual use and your experience will determine the frequency of required inspection and maintenance. | | Before starting work | After finishing work or daily | Every 50 working hours | Relevant Chapter |
|---|------------------------------|----------------------|-------------------------------|------------------------|------------------|
| Complete Machine | Visual inspection | X | | | |
| | Clean | | X | | 21.1 |
| Controls | Check function and condition | X | | | 16.1 |
| Gearbox | Lubricating | | | X | 22.3 |
| Cutting Blades | Visual inspection | X | X | | |

22.2 Inspecting and Maintaining the Hedge Trimmer

WARNING

To reduce the risk of personal injury from unintended activation, remove the connecting cord before inspecting the hedge trimmer or carrying out any maintenance, 7. Carry out only the maintenance operations described in this manual. There are no user-authorized repairs. STIHL recommends that repair work be performed by authorized STIHL servicing dealers.

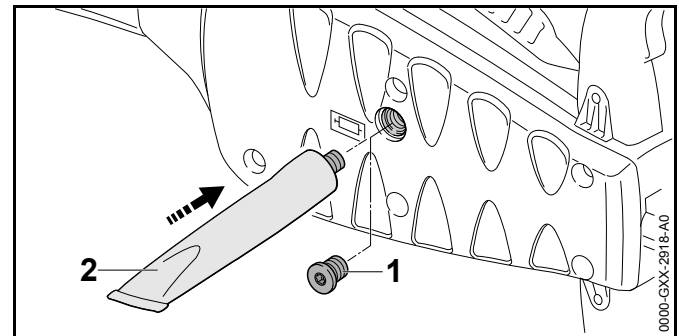
To properly maintain the hedge trimmer:

- ▶ Lubricate the gearbox.
- ▶ Sharpen the cutting blades.
- ▶ Have worn or damaged cutting blades replaced by an authorized STIHL servicing dealer.
- ▶ Have worn, missing or damaged safety labels replaced by an authorized STIHL servicing dealer.

If you make a warranty claim for a component that has not been serviced or maintained properly, coverage may be denied.

22.3 Lubricating the Gearbox

To lubricate the gearbox:





- ▶ Remove the screw plug (1).

- ▶ If no grease can be seen on the inside of the screw plug, screw the tube (2) of STIHL gear lubricant into the filler hole.
- ▶ Squeeze no more than 0.2 oz. (5 g) of STIHL gear lubricant into the gearbox.
- ▶ Remove the tube of STIHL gear lubricant.
- ▶ Insert the screw plug and tighten it.

NOTICE

Do not completely fill the gearbox with grease.

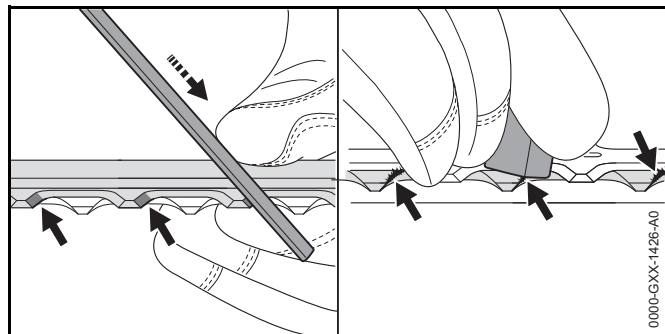
22.4 Inspecting and Maintaining the Cutting Blades**! WARNING**



To reduce the risk of personal injury from unintended activation, remove the connecting cord before inspecting the cutting blades or carrying out any maintenance,  7. To help prevent injuries, always wear heavy-duty work gloves when handling the hedge trimmer or its cutting blades,  6.3. STIHL recommends having the cutting blades sharpened by an authorized STIHL servicing dealer.

Although it is best to have the cutting blades sharpened by a dealer on a workshop sharpener, it is possible to use a flat crosscut sharpening file.

Sharpen the cutting blades when cutting performance begins to deteriorate, i.e., blades frequently snag on branches or fail to cut material cleanly.

To sharpen the cutting blades with a file:



- ▶ Sharpen each cutting edge of the upper cutting blade with a sharpening file. Always file toward the cutting edge with a forward motion matching the sharpening angle,  24.2. Sharpen on the forward stroke. Lift off the blade on the backstroke.
- ▶ Only sharpen the cutting edges. Do not file blunt projecting parts of the cutting attachment, or the cutting blade guard. Make sure your sharpening stroke matches the sharpening angle,  24.2.
- ▶ Turn the hedge trimmer over and sharpen the cutting edges of the lower cutting blade.
- ▶ Use a whetstone to remove any burrs from the cutting edges. Remove as little material as possible.
- ▶ After sharpening, wipe away filing or grinding dust with a dry or slightly dampened cloth and then spray the cutting blades with a resin solvent, such as STIHL Resin Remover and Lubricant.

If you make a warranty claim for a component which has not been serviced or maintained properly, coverage may be denied.








NOTICE

Operating the machine with dull or damaged cutting blades may overload the motor. Keeping the cutting blades sharp helps maintain cutting performance and the expected life of the product.



23 Troubleshooting Guide

23.1 Hedge Trimmer

Always remove the connecting cord before carrying out any inspection, cleaning or maintenance.

| Condition | LEDs on Battery | Cause | Remedy |
|--|--|--|--|
| Hedge Trimmer does not start when switched on. | | No electrical contact between hedge trimmer and battery. | <ul style="list-style-type: none"> ▶ Remove the connecting cord,  14.2. ▶ Visually check the electrical contacts in the socket. ▶ Reinsert the connecting cord,  14.1. ▶ If the hedge trimmer still does not start, clean the contact surfaces on the connecting cord,  21.3. |
| | 1 LED flashes green. STIHL AR only: Additionally, four long beeps are emitted. | Battery has low charge. | <ul style="list-style-type: none"> ▶ Charge the battery as described in its instruction manual. |
| | 1 LED glows red. | Battery too hot / too cold. | <ul style="list-style-type: none"> ▶ Allow the battery to warm up or cool down gradually at ambient temperatures of about 50 °F to 68 °F (10 °C to 20 °C). |
| | 4 LEDs flash red. STIHL AR only: Additionally, a rapid succession of short beeps is emitted. | Malfunction in battery. | <ul style="list-style-type: none"> ▶ Remove and reinsert the connecting cord,  14. ▶ Switch on the hedge trimmer,  15.1. ▶ If the LEDs continue to flash, do not attempt to use. The battery has a malfunction and must be replaced. |
| | 3 LEDs glow red. | Hedge trimmer too hot. | <ul style="list-style-type: none"> ▶ Allow the hedge trimmer to cool down. |
| | 3 LEDs flash red. | Malfunction in hedge trimmer. | <ul style="list-style-type: none"> ▶ Remove and reinsert the connecting cord,  14. ▶ Switch on the hedge trimmer,  15.1. ▶ If the LEDs still flash, do not attempt to use. The hedge trimmer has a malfunction and must be checked by a servicing dealer. |

Always remove the connecting cord before carrying out any inspection, cleaning or maintenance.

| Condition | LEDs on Battery | Cause | Remedy |
|--|------------------|--|---|
| | | Cutting blades are not clean and lubricated. | <ul style="list-style-type: none"> ▶ Clean the cutting blades,  21.2. ▶ If the LEDs still flash, do not attempt to use. The hedge trimmer has a malfunction and must be checked by a servicing dealer. |
| Hedge trimmer cuts out during operation. | 1 LED glows red. | Battery too hot / too cold. | <ul style="list-style-type: none"> ▶ Remove the connecting cord,  14.2. ▶ Allow the hedge trimmer and battery to cool down gradually at ambient temperatures of about 50 °F to 68 °F (10 °C to 20 °C). |
| | 3 LEDs glow red. | Hedge trimmer too hot. | |
| Run-time is too short. | | Battery not fully charged. | ▶ Charge the battery as described in its instruction manual. |
| | | Useful life of battery has been reached or exceeded. | ▶ Have the battery checked by an authorized STIHL servicing dealer. |

24 Specifications

24.1 STIHL STIHL HSA 94 R, HSA 94 T

- Approved battery types:
 - STIHL AR series
 - STIHL AP series in combination with the STIHL AP Battery Bag with Connecting Cord
- Weight:
 - HSA 94 R, Cutting blades length 24 in. (600 mm): 9.0 lbs. (4.1 kg)
 - HSA 94 T, Cutting blades length 24 in. (600 mm): 8.6 lbs (3.9 kg)

For technical information regarding the STIHL AR and AP series batteries, see the product information accompanying your battery.

For technical information regarding the STIHL AL 101, 300 and 500 series chargers, see the product information accompanying your charger.

Batteries, chargers and other accessories sold separately. Contact your authorized STIHL servicing dealer for pricing and availability.

24.2 Cutting Blades

HSA 94 R

- Tooth spacing: 1.5 in. (38 mm)
- Cutting length: 24 in. (600 mm)
- Sharpening angle: 45°

HSA 94 T

- Tooth spacing: 1.18 in. (30 mm)
- Cutting length: 24 in. (600 mm)
- Sharpening angle: 45°

24.3 Symbols on the Hedge Trimmer

| Symbol | Explanation |
|--------|----------------|
| V | Volt |
| DC | Direct current |



Filler hole for gear lubricant.



STIHL products must not be disposed of in the household trash, but only in accordance with local, state and federal laws and regulations and as provided in this manual, 26.

24.4 Engineering Improvements

STIHL's philosophy is to continually improve all of its products. As a result, engineering changes and improvements are made from time to time. Therefore, some changes, modifications and improvements may not be covered in this manual. If the operating characteristics or the appearance of your machine differs from those described in this manual, please contact your STIHL dealer or the STIHL distributor in your area for assistance.

24.5 FCC 15 Compliance Statement

This device complies with part 15 of the FCC Rules.

Operation is subject to the following two conditions:

- this device may not cause harmful interference.
- this device must accept any interference received, including interference that may cause undesired operation.

Note: This equipment has been tested and found to comply with the limits for a Class B digital device, pursuant to part 15 of the FCC Rules. These limits are designed to provide reasonable protection against harmful interference in a residential installation. This equipment generates, uses and can radiate radio frequency energy and, if not installed and used in accordance with the instructions, may cause harmful

interference to radio communications. However, there is no guarantee that interference will not occur in a particular installation.


If this equipment does cause harmful interference to radio or television reception, which can be determined by turning the equipment off and on, the user is encouraged to try to correct the interference by one or more of the following measures:

- reorient or relocate the receiving antenna,
- increase the separation between the equipment and receiver,
- connect the equipment to an outlet on a circuit different from that to which the receiver is connected,
- consult an authorized STIHL servicing dealer or an experienced radio/TV technician for help.

Do not change or modify this product in any way unless specifically allowed in this manual, since this could void your authority to operate it.

25 Replacement Parts and Equipment

25.1 Genuine STIHL Replacement Parts

STIHL recommends the use of genuine STIHL replacement parts. Genuine STIHL parts can be identified by the STIHL part number, the **STIHL** logo and, in some cases, by the STIHL parts symbol . The symbol may appear alone on small parts.

26 Disposal

26.1 Disposal of the Power Tool

STIHL products must not be thrown in household trash or disposed of except as outlined in this manual.

- ▶ Take the power tool, accessories and packaging to an approved disposal site for environmentally friendly recycling.
- ▶ Contact your authorized STIHL servicing dealer for the latest information on disposal and recycling.

26.2 Battery Recycling

WARNING

Handle discharged/depleted batteries carefully. Even if believed to be discharged, lithium ion batteries may never totally discharge and still may deliver a dangerous short circuit current. If damaged or exposed to extreme temperatures, they may leak, generate heat, catch fire or explode.

- ▶ Observe all federal, state and local disposal rules and regulations.
- ▶ Contact your authorized STIHL servicing dealer for the latest information on waste disposal.
- ▶ Recycle depleted batteries promptly.
- ▶ Keep batteries away from children. Do not disassemble and do not dispose of in fire.



STIHL is committed to the development of products that are environmentally responsible. This commitment does not stop when the product leaves the authorized STIHL servicing dealer. STIHL has partnered with the RBRC (Rechargeable Battery Recycling Corporation) to promote the collection and recycling of spent STIHL lithium ion batteries in the United States and Canada.

The RBRC seal indicates that STIHL has prepaid for battery recycling. RBRC has a toll free phone number (1-800-822-8837) that connects you to information on battery recycling locations and information on battery disposal bans or restrictions in your area. You can also return your spent battery to any authorized STIHL servicing dealer for recycling free of charge.

27 Limited Warranty

27.1 STIHL Incorporated Limited Warranty Policy

This product is sold subject to the STIHL Incorporated Limited Warranty Policy, available at www.stihlusa.com/warranty.html. It can also be obtained from your authorized STIHL dealer or by calling 1-800-GO-STIHL (1-800-467-8445).

28 Trademarks

28.1 Registered Trademarks

STIHL®

STIHL®

®

The color combination orange-grey (U.S. Registrations #2,821,860; #3,010,057, #3,010,058, #3,400,477; and #3,400,476)

AutoCut®

YARD BOSS®

STIHL ROLLOMATIC®

WOOD BOSS®



FARM BOSS®

iCademy®

MAGNUM®

MasterWrench Service®

MotoMix®

OILOMATIC®

ROCK BOSS®

STIHL Cutquik®

STIHL DUROMATIC®

STIHL Quickstop®



STIHL WOOD BOSS®

TIMBERSPORTS®



28.2 Common Law Trademarks

| | |
|-------------|-------------------|
| 4-MIX™ | HT Plus™ |
| BioPlus™ | STIHL PowerSweep™ |
| Easy2Start™ | STIHL Protech™ |
| EasySpool™ | STIHL MiniBoss™ |

| | |
|---|---|
| ElastoStart™ | STIHL MotoPlus 4™ |
| Ematic™ | Master Control Lever™ |
| STIHL Precision Series™ | STIHL OUTFITTERS™ |
| FixCut™ | STIHL PICCO™ |
| Micro™ | TrimCut™ |
| Pro Mark™ | STIHL M-Tronic™ |
| Quad Power™ | STIHL HomeScaper Series™ |
| Quiet Line™ | STIHL PolyCut™ |
| STIHL Arctic™ | STIHL RAPID™ |
| STIHL Compact™ | STIHL SuperCut™ |
| STIHL Interchangeable Attachment Series™ | STIHL Multi-Cut HomeScaper Series™ |
| TapAction™ | STIHL Territory™ |
|  |  |

This listing of trademarks is subject to change.

Any unauthorized use of these trademarks without the express written consent of ANDREAS STIHL AG & Co. KG, Waiblingen is strictly prohibited.

29 Addresses

29.1 STIHL Incorporated

STIHL Incorporated
536 Viking Drive
P.O. Box 2015
Virginia Beach, VA
23452-2015

Contenido

| | | |
|-----------|--|-----------|
| 1 | Introducción | 42 |
| 2 | Acerca de este manual de instrucciones | 42 |
| 2.1 | Palabras identificadoras..... | 42 |
| 2.2 | Símbolos en el texto..... | 43 |
| 3 | Componentes importantes | 43 |
| 3.1 | Cortasetos..... | 43 |
| 3.2 | Opciones de arneses para la batería..... | 44 |
| 4 | Símbolos de seguridad en los productos | 45 |
| 4.1 | Cortasetos..... | 45 |
| 4.2 | Batería..... | 45 |
| 5 | Advertencias generales de seguridad para herramientas motorizadas | 46 |
| 5.1 | Introducción..... | 46 |
| 5.2 | Seguridad en la zona de trabajo..... | 46 |
| 5.3 | Seguridad eléctrica..... | 46 |
| 5.4 | Seguridad personal..... | 47 |
| 5.5 | Uso y cuidado de la herramienta motorizada..... | 47 |
| 5.6 | Uso y cuidado de la herramienta con batería..... | 48 |
| 5.7 | Mantenimiento..... | 49 |
| 5.8 | Advertencias de seguridad del cortasetos..... | 49 |
| 6 | INSTRUCCIONES IMPORTANTES DE SEGURIDAD | 49 |
| 6.1 | Uso previsto..... | 49 |
| 6.2 | Operador..... | 50 |
| 6.3 | Equipos de protección personal..... | 50 |
| 6.4 | Cortasetos..... | 51 |
| 6.5 | Uso del cortasetos..... | 52 |
| 7 | Mantenimiento, reparación y almacenamiento | 58 |
| 7.1 | Advertencias e instrucciones..... | 58 |
| 8 | Seguridad de la batería | 58 |
| 8.1 | Advertencias e instrucciones..... | 58 |
| 9 | Antes de empezar a trabajar | 60 |
| 9.1 | Preparación del cortasetos para el funcionamiento..... | 60 |
| 10 | Carga de la batería | 61 |
| 10.1 | Preparación del cargador para el funcionamiento..... | 61 |
| 10.2 | Carga..... | 61 |
| 11 | Diagnóstico por LED y señales acústicas | 63 |
| 11.1 | Batería de mochila STIHL AR..... | 63 |
| 11.2 | Batería AP de STIHL..... | 64 |
| 12 | Uso de un arnés para batería | 65 |
| 12.1 | Batería de mochila STIHL AR..... | 65 |
| 12.2 | Batería de mochila STIHL..... | 66 |
| 12.3 | Cinturón para batería STIHL..... | 69 |
| 13 | Ajuste del cortasetos | 70 |
| 13.1 | Montaje del mango de control..... | 70 |
| 14 | Inserción y retiro del cable de conexión | 71 |
| 14.1 | Colocación del cable de conexión..... | 71 |
| 14.2 | Retirada del cordón de conexión..... | 71 |
| 15 | Encendido y apagado del cortasetos | 72 |
| 15.1 | Encendido..... | 72 |
| 15.2 | Apagado..... | 72 |
| 16 | Comprobación del cortasetos | 73 |
| 16.1 | Prueba de los controles..... | 73 |
| 17 | Durante el funcionamiento | 74 |
| 17.1 | Selección del nivel de potencia..... | 74 |
| 17.2 | Uso del cortasetos..... | 74 |
| 18 | Después de completar el trabajo | 75 |
| 18.1 | Preparación para el transporte o el almacenamiento..... | 75 |
| 19 | Transporte | 75 |
| 19.1 | Cortasetos..... | 75 |
| 20 | Almacenamiento | 76 |
| 20.1 | Cortasetos..... | 76 |



Este manual de instrucciones está protegido por derechos de propiedad intelectual. Todos los derechos reservados, especialmente los derechos de reproducción, traducción y procesamiento con sistemas electrónicos.

| | |
|---|-----------|
| 21 Limpieza | 76 |
| 21.1 Limpieza del cortasetos | 76 |
| 21.2 Limpieza de las cuchillas de corte | 77 |
| 21.3 Limpie las superficies de contacto del cable de conexión | 77 |
| 22 Inspección y mantenimiento | 78 |
| 22.1 Tabla de inspección y mantenimiento | 78 |
| 22.2 Inspección y mantenimiento del cortasetos | 78 |
| 22.3 Lubricación de la caja de engranajes | 78 |
| 22.4 Inspección y mantenimiento de las cuchillas de corte | 79 |
| 23 Guía de solución de problemas | 81 |
| 23.1 Cortasetos | 81 |
| 24 Especificaciones | 83 |
| 24.1 STIHL HSA 94 R, HSA 94 T | 83 |
| 24.2 Cuchillas de corte | 83 |
| 24.3 Símbolos en el cortasetos | 83 |
| 24.4 Mejoramientos técnicos | 83 |
| 24.5 Declaración de cumplimiento con norma FCC 15 | 83 |
| 25 Piezas y equipos de repuesto | 84 |
| 25.1 Piezas de repuesto originales de STIHL | 84 |
| 26 Eliminación | 84 |
| 26.1 Desecho de la herramienta motorizada | 84 |
| 26.2 Reciclado de las baterías | 84 |
| 27 Garantía limitada | 85 |
| 27.1 Política de garantía limitada de STIHL Incorporated | 85 |
| 28 Marcas comerciales | 85 |
| 28.1 Marcas comerciales registradas | 85 |
| 28.2 Marcas comerciales por ley común | 85 |
| 29 Direcciones | 85 |
| 29.1 STIHL Incorporated | 85 |

1 Introducción

Gracias por su compra. La información que contiene este manual lo ayudará a obtener el máximo rendimiento y satisfacción del cortasetos, y a reducir el riesgo de lesiones que supone su uso, si dicha información se respeta.

¡CONSERVE ESTE MANUAL!



Dado que el cortasetos es una herramienta de corte de gran velocidad, es necesario tomar medidas especiales de seguridad para reducir el riesgo de lesiones.



Lea este manual de instrucciones detenidamente antes del uso y periódicamente de allí en adelante. Aténgase a todas las instrucciones de seguridad. El uso descuidado o inadecuado puede causar lesiones graves o mortales.

Pida a su concesionario de servicio STIHL autorizado que le enseñe el manejo de la herramienta motorizada.

No preste ni alquile nunca su cortasetos sin el manual de instrucciones. Solamente permita que las personas que comprenden por completo la información de este manual manejen el cortasetos.

Para obtener más información, o si no comprende alguna de las instrucciones incluidas en este manual, visite www.stihlusa.com o comuníquese con un concesionario de servicio STIHL autorizado.

2 Acerca de este manual de instrucciones

2.1 Palabras identificadoras

Este manual contiene información sobre seguridad a la que usted debe prestar atención especial. Dicha información se indica con los siguientes símbolos y palabras identificadoras:

⚠ PELIGRO

Identifica una situación de peligro que, de no evitarse, causará lesiones graves o mortales.

⚠ ADVERTENCIA


Identifica una situación de peligro que, de no evitarse, podría causar lesiones graves o mortales.

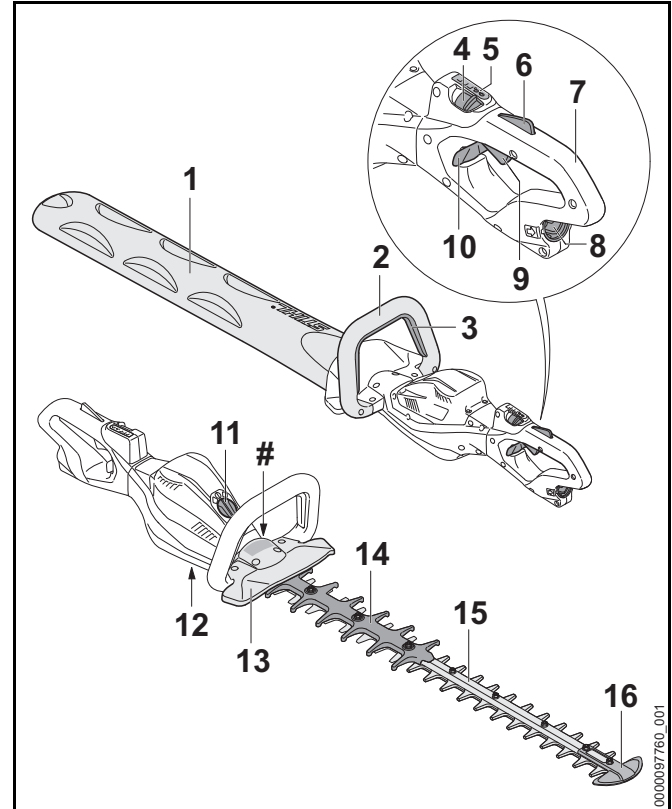
INDICACIÓN

Indica el riesgo de daños a la propiedad, incluidos la máquina o sus componentes.

2.2 Símbolos en el texto

El siguiente símbolo tiene como finalidad ayudarlo a utilizar este manual.

 Hace referencia a un capítulo o subcapítulo designado en este manual de instrucciones.

3 Componentes importantes**3.1 Cortasetos****1 Funda para cuchillas**

Cubre las cuchillas cuando el cortasetos no está en uso.

2 Mango circular

Mango para la mano delantera del operador.

3 Hueco de montaje

Zona de montaje para un Smart Connector 2 A.

4 Palanca de conmutación

Activa el accesorio de corte cuando se presiona junto con el gatillo.

5 Pestillo de retención

Boquea/desbloquea el gatillo.

6 LED

Indica el nivel de potencia de la máquina.

7 Bloqueo del gatillo

Se debe presionar cuando el pestillo de retención está desbloqueado para poder activar el gatillo.

8 Mango de control

Mango para la mano trasera del operador.

9 Tomacorriente

Tomacorriente para el cordón de conexión de la batería.

10 Gatillo

Activa el accesorio de corte cuando se presiona junto con la palanca de conmutación.

11 Palanca de bloqueo

Palanca para girar el mango trasero.

12 Tapón roscado

Sella la abertura de llenado de grasa de la caja de engranajes.

13 Protector de la mano

Ayuda a proteger la mano delantera del operador de las ramas prominentes y de otros materiales, así como del contacto con las cuchillas de corte.

14 Protector de las cuchillas de corte

Ayuda a proteger al operador del contacto con las cuchillas de corte.

15 Cuchillas de corte

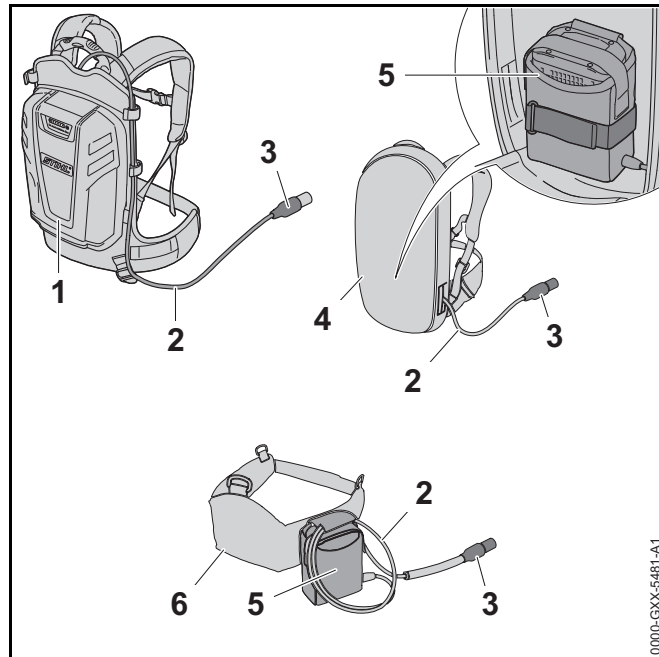
Cuchillas de acero para cortar setos, arbustos y matas.

16 Protección de la punta

Ayuda a proteger la punta de las cuchillas de corte para que no entre en contacto con objetos sólidos.

Placa de características

Contiene los datos eléctricos y el número de serie del producto.

3.2 Opciones de arneses para la batería

La herramienta HSA 94 puede recibir alimentación de una batería de mochila serie AR de STIHL. Como alternativa, puede recibir alimentación de una batería AP de STIHL cuando se usa en combinación con una bolsa para batería AP y cordón de conexión de STIHL.

Hay una variedad de opciones de arneses que pueden usarse con la HSA 94. (Las baterías, los arneses y otros accesorios se venden por separado).

1 Batería de mochila STIHL AR

Batería de mochila.

2 Cordón de conexión

Transmite la corriente eléctrica de la batería al cortasetos.

3 Enchufe

La parte del cordón de conexión que se enchufa en el receptáculo del cortasetos.

4 Batería de mochila STIHL

Permite llevar hasta dos baterías serie AP en sus espaldas.

5 Bolsa de batería AP con cable de conexión

Aloja una batería AP y la conecta con la herramienta motorizada.

6 Cinturón para batería STIHL

Permite llevar hasta dos baterías serie AP en sus caderas.



Para reducir el riesgo de lesionarse, mantenga las manos, los pies y otras partes del cuerpo alejados de las cuchillas. 6.5.4.

Solo HSA 94 R

Para reducir el riesgo de lesionarse los ojos, siempre use gafas protectoras, 6.3.

Sólo HSA 94 T

Para reducir el riesgo de lesionarse los ojos, siempre use gafas protectoras. El ruido de la herramienta motorizada puede dañar los oídos. Siempre use amortiguadores del ruido (tapones u orejeras) para protegerse los oídos. 6.3.

4 Símbolos de seguridad en los productos

4.1 Cortasetos

Los siguientes símbolos de seguridad están presentes en el cortasetos:



Para reducir el riesgo de lesiones, respete las medidas de seguridad especificadas.



Lea y atégase a todas las precauciones de seguridad dadas en el manual de instrucciones. El uso inadecuado puede provocar lesiones personales graves o mortales o daños a la propiedad.



Para reducir el riesgo de lesiones o daños a la propiedad causados por el encendido accidental, desconectar el cordón de conexión toda vez que el cortasetos no esté en uso, 6.5.

4.2 Batería

Los símbolos de seguridad siguientes se encuentran en la batería de mochila serie AR y en la batería serie AP.



Para reducir el riesgo de lesiones, respete las medidas de seguridad especificadas.



Lea y respete todas las precauciones de seguridad dadas en el manual de instrucciones de la batería y en el manual de la herramienta STIHL que utiliza esta batería. El uso inadecuado puede provocar lesiones personales graves o mortales o daños a la propiedad.



Para reducir el riesgo de lesiones personales o daños a la propiedad debido a incendios, explosiones o quemaduras, incluidas las quemaduras químicas, no desarme, aplaste, deje caer, dañe o caliente la unidad a más de 100°C (212°F). Nunca la exponga al fuego ni la incinere, 8.



Para reducir el riesgo de lesiones personales o daños a la propiedad debido a un incendio, use y almacene la batería solo dentro de un rango de temperatura ambiente de -10°C a 50°C (14°F a 122°F), 8.

Baterías tipo mochila AR 900, 1000, 2000, 3000



Para reducir el riesgo de lesiones personales o daños a la propiedad causados por un cortocircuito, un incendio o una explosión, mantenga la unidad seca. Protéjala contra la lluvia, el agua y las condiciones húmedas. Nunca la sumerja en agua u otros líquidos, 8.

Baterías tipo mochila AR L



Para reducir el riesgo de lesiones personales o daños a la propiedad causados por un cortocircuito, un incendio o una explosión, mantenga la unidad seca. Nunca la sumerja en agua u otros líquidos, 8.

Baterías serie AP



Para reducir el riesgo de lesiones personales o daños a la propiedad causados por un cortocircuito, un incendio o una explosión, mantenga la unidad seca. Nunca la sumerja en agua u otros líquidos, 8.

Las baterías se venden por separado.

5 Advertencias generales de seguridad para herramientas motorizadas

5.1 Introducción

Este capítulo contiene las advertencias e instrucciones de seguridad generales prescritas para herramientas eléctricas manuales motorizadas y cortasetos eléctricos motorizados comprendidas en las normas UL 60745-1 y UL 60745-2-15. En los siguientes capítulos de este manual, se proporcionan otras advertencias e instrucciones importantes.

INSTRUCCIONES IMPORTANTES DE SEGURIDAD

⚠ ADVERTENCIA

- **Lea todas las advertencias de seguridad y todas las instrucciones.** Si no se siguen todas las advertencias e instrucciones, se podrían producir descargas eléctricas, incendios o lesiones graves.
- **Conserve todas las advertencias e instrucciones para referencia en el futuro.**

El término “herramienta eléctrica” que aparece en las advertencias hace referencia a una herramienta alimentada por cordón eléctrico o a batería (inalámbrica).

5.2 Seguridad en la zona de trabajo

- a) **Mantenga la zona de trabajo limpia y bien iluminada.** El desorden y la oscuridad favorecen los accidentes.
- b) **No utilice las herramientas motorizadas en entornos potencialmente explosivos, tales como aquellos en los que hay líquidos, gases o polvos inflamables.** Las herramientas motorizadas producen chispas que podrían encender el polvo o los vapores.
- c) **Asegúrese de que niños y terceras personas se mantienen alejados de la herramienta motorizada mientras la está usando.** Cualquier distracción podría hacerle perder el control sobre la herramienta.

5.3 Seguridad eléctrica

- a) **El enchufe de la herramienta motorizada debe corresponder con el tomacorriente.** Nunca modifique el enchufe en modo alguno. No utilice enchufes adaptadores con herramientas motorizadas que tengan clavija de puesta a tierra. El uso de enchufes no modificados y de los tomacorrientes adecuados reduce el riesgo de descargas eléctricas.
- b) **Evite que su cuerpo entre en contacto con superficies puestas a tierra tales como tuberías, radiadores, estufas y refrigeradores.** Si su cuerpo está conectado con tierra, existe un mayor riesgo de que sufra descargas eléctricas.

- c) **No exponga las herramientas motorizadas a la lluvia ni a la humedad.** Si entra agua en la herramienta motorizada, aumenta el riesgo de que se produzcan descargas eléctricas.
- d) **No maltrate el cordón eléctrico. Nunca tire del cordón eléctrico para transportar, arrastrar o desenchufar la herramienta motorizada. Mantenga el cordón protegido del calor y alejado de aceites, bordes afilados y piezas móviles.** Si el cordón está dañado o retorcido, aumenta el riesgo de que se produzcan descargas eléctricas.
- e) **Cuando use una herramienta motorizada a la intemperie, utilice un cordón de extensión adecuado para el uso en exteriores.** Con un cordón apto para el uso en exteriores se reduce el riesgo de descargas eléctricas.
- f) **Si resulta ineludible el uso de una herramienta motorizada en un lugar húmedo, utilice un suministro de energía eléctrica con dispositivo de corriente residual (RCD) o con protección contra pérdidas a tierra (GFCI).** El uso de un RCD o GFCI reduce el riesgo de descargas eléctricas.
- d) **Retire todas las llaves o herramientas de ajuste antes de encender la herramienta motorizada.** Si se deja una herramienta o una llave colocada en un componente giratorio de la herramienta motorizada, se pueden producir lesiones personales.
- e) **No extienda los brazos más de lo necesario. Mantenga el equilibrio y los pies bien apoyados en todo momento.** Así, podrá controlar mejor la herramienta motorizada si surge cualquier imprevisto.
- f) **Use vestimenta adecuada. No utilice ropa suelta ni joyas. Mantenga su cabello y su ropa alejados de las piezas móviles.** La ropa suelta, las joyas o el cabello largo pueden quedar atrapados en los componentes en movimiento.
- g) **Si cuenta con dispositivos para la conexión de equipos extractores y recogedores de polvo, asegúrese de que estos están conectados y de que se usan debidamente.** El uso de un equipo recogedor de polvo puede reducir los peligros relacionados con el polvo.

5.4 Seguridad personal

- a) **Manténgase alerta, preste atención a lo que hace y aplique el sentido común cuando use una herramienta motorizada. No utilice una herramienta motorizada si se nota cansado o si está bajo la influencia de drogas, alcohol o medicamentos.** Un descuido breve durante el uso de una herramienta motorizada puede causar lesiones personales graves.
- b) **Utilice equipos de protección personal. Protéjase los ojos siempre.** El uso de equipos protectores como mascarillas, zapatos de seguridad antideslizantes, casco y protectores de los oídos para lograr las condiciones de trabajo apropiadas reduce el riesgo de sufrir lesiones personales.
- c) **Evite los arranques accidentales. Asegúrese de que el interruptor está en la posición de apagado antes de conectar la máquina a la fuente de energía o a la batería, antes de levantarla y antes de cargarla.** Cargar una herramienta motorizada con un dedo colocado sobre el interruptor de encendido o conectar la alimentación de herramientas que tienen el interruptor en la posición de encendido favorece los accidentes.

- h) **No permita que la familiaridad adquirida con el uso frecuente de las herramientas lo lleve a actuar con un exceso de confianza y a no tener en cuenta los principios de seguridad de la herramienta.** Una acción descuidada puede causar lesiones graves en una fracción de un segundo.

5.5 Uso y cuidado de la herramienta motorizada

- a) **No fuerce la herramienta motorizada. Utilice la herramienta motorizada adecuada para el trabajo que va a realizar.** Si usa la herramienta motorizada correcta, llevará a cabo la tarea mejor y con mayor seguridad, y al ritmo para el cual fue diseñada.
- b) **No utilice la herramienta motorizada si no se puede encender y apagar con el interruptor.** Toda herramienta motorizada que no pueda controlarse con su interruptor es peligrosa y debe ser reparada.
- c) **Desconecte el enchufe de la fuente de alimentación o retire el paquete de baterías (si es desmontable), de la herramienta motorizada antes de hacer ajustes, cambiar**

accesorios o almacenar la herramienta. Estas medidas preventivas de seguridad reducen el riesgo de arrancar la herramienta motorizada por accidente.

- d) **Guarde las herramientas motorizadas fuera del alcance de los niños, y no permita que utilicen las herramientas personas que no estén familiarizadas con ellas o con estas instrucciones.** En manos de personas no capacitadas para usarlas, las herramientas motorizadas son peligrosas.
- e) **Mantenga debidamente las herramientas motorizadas y sus accesorios.** Compruebe si los componentes móviles están mal alineados o agarrotados, si hay roturas en alguna pieza y otros aspectos que pudieran afectar al funcionamiento de la herramienta eléctrica. Si hay daños, envíe la herramienta eléctrica a reparación antes de usarla. Muchos accidentes se deben a un mantenimiento deficiente de las herramientas motorizadas.
- f) **Mantenga las herramientas de corte afiladas y limpias.** Si se han mantenido correctamente y están afiladas, las herramientas de corte son menos propensas a atascarse y más fáciles de controlar.
- g) **Utilice la herramienta motorizada, los accesorios, las brocas, etc. tal como se indica en estas instrucciones, teniendo en cuenta las condiciones de trabajo y el tipo de tarea que va a realizar.** El uso de una herramienta motorizada para trabajos diferentes a aquellos para los que fue diseñada puede producir situaciones peligrosas.
- h) **Mantenga los mangos y las superficies de agarre secos, limpios y sin aceite ni grasa.** Las superficies de agarre y los mangos resbaladizos dificultan la manipulación y el control seguros de la herramienta en situaciones inesperadas.

5.6 Uso y cuidado de la herramienta con batería

- a) **Recárguela únicamente con el cargador especificado por el fabricante.** Un cargador que es adecuado para un tipo de baterías puede crear un riesgo de incendio si se utiliza con baterías de un tipo diferente.
- b) **Utilice las herramientas motorizadas únicamente con las baterías especificadas para ellas.** El uso de otras baterías puede crear riesgos de lesiones o incendio.
- c) **Cuando no utilice las baterías, manténgalas alejadas de objetos metálicos tales como presillas para papel, monedas, llaves, clavos, tornillos u otros objetos metálicos pequeños que pudieran establecer una conexión entre los distintos terminales.** Un cortocircuito entre los terminales de batería puede causar quemaduras o un incendio.
- d) **En condiciones de maltrato, podría salir líquido de la batería; evite el contacto con el mismo. Si, a pesar de todo, el contacto se produce, lave la zona afectada con agua. Si el líquido entra en contacto con los ojos, busque además atención médica.** El líquido que sale de la batería puede causar irritaciones y quemaduras.
- e) **No utilice una batería ni una herramienta a batería que presente daños o haya sido modificada.** Las baterías dañadas o modificadas pueden tener un comportamiento impredecible y que puede provocar incendios, explosiones y lesiones.
- f) **No exponga nunca una batería ni una herramienta a batería al fuego ni a temperaturas excesivas.** La exposición al fuego o a temperaturas superiores a los 100 °C puede causar una explosión.
- g) **Respete todas las instrucciones relativas a la carga y no cargue la batería ni la herramienta a batería a temperaturas no incluidas en el intervalo que se especifica en las instrucciones.** Una carga incorrecta o realizada a temperaturas fuera del intervalo especificado puede dañar la batería y aumentar el riesgo de incendios.

5.7 Mantenimiento

- a) **El mantenimiento de su herramienta motorizada deberá realizarlo siempre un técnico calificado, utilizando piezas de repuesto genuinas.** Solo así queda garantizado que se mantendrá intacta la seguridad de la herramienta motorizada.
- b) **Nunca intente reparar baterías dañadas.** Del mantenimiento de las baterías deben encargarse únicamente el fabricante o un proveedor de servicio autorizado.

5.8 Advertencias de seguridad del cortasetos

- a) **Mantenga todas las partes del cuerpo alejadas de la cuchilla. No quite el material cortado ni sujete el material que cortará cuando las cuchillas están en marcha. Verifique que el interruptor esté en posición de apagado antes de despejar materiales atorados. Las cuchillas giran por cierto tiempo después de haber apagado la máquina.** Un descuido momentáneo durante el uso de un cortasetos puede causar una lesión personal grave.
- b) **Transporte el cortasetos sujetándolo por el mango con la cuchilla detenida.** El manejo adecuado del cortasetos reduce las probabilidades de sufrir lesiones personales causadas por las cuchillas.
- c) **Sujete la herramienta eléctrica por los asideros aislados solamente, porque la cuchilla podría entrar en contacto con cables ocultos.** Si la cuchilla entra en contacto con un cable con corriente, esto podría hacer que los componentes metálicos de la herramienta eléctrica tengan corriente y darle una descarga eléctrica al operador.

PELIGRO

- **Mantenga las manos alejadas de la cuchilla.** El contacto con la cuchilla causará lesiones personales graves.

GUARDE ESTAS INSTRUCCIONES.

6 INSTRUCCIONES IMPORTANTES DE SEGURIDAD

6.1 Uso previsto

ADVERTENCIA

- Este cortasetos está diseñado para cortar setos, arbustos y matas en patios y jardines. Si el cortasetos se usa para trabajos para los que no ha sido diseñado, podría provocar lesiones graves o mortales.
- Un uso indebido puede provocar lesiones o daños materiales, incluidos daños en el cortasetos.
 - Use el cortasetos solo como se describe en este manual.
 - Nunca intente modificar ni anular en modo alguno los controles ni los dispositivos de seguridad del cortasetos.
 - Nunca utilice un cortasetos cuyo diseño original se haya modificado o alterado.
 - Asegúrese de leer y respetar las advertencias y las instrucciones de su batería y de su cargador antes de iniciar la carga o de empezar a trabajar.
- Esta herramienta motorizada se puede alimentar con una batería tipo mochila de la serie AR de STIHL. Como alternativa, se puede alimentar con una batería AP de STIHL en combinación con una bolsa para batería AP de STIHL con cordón de conexión.

Las baterías, los cargadores y otros accesorios se venden por separado.

6.2 Operador

⚠ ADVERTENCIA

- El uso del cortasetos es fatigoso. El operador debe hallarse en buenas condiciones tanto físicas como mentales. Para reducir el riesgo de lesiones personales causadas por fatiga o pérdida del control:
 - Consulte a su médico antes de usar el cortasetos si tiene una afección de salud que pueda agravarse por el trabajo extenuante.
 - No haga funcionar el cortasetos si se encuentra bajo la influencia de cualquier sustancia (drogas, alcohol, medicamentos, etc.) que puedan afectar la visión, el equilibrio, la destreza o el juicio.
 - Esté alerta. No maneje el cortasetos cuando está cansado. Tómese un descanso si se siente cansado.
 - No permita que los niños usen el cortasetos.
- De acuerdo con los conocimientos actuales de STIHL, el motor eléctrico del cortasetos no debe interferir con marcapasos.
 - Sin embargo, las personas con marcapasos u otro dispositivo médico implantado deben consultar a su médico y al fabricante del dispositivo antes de utilizar este cortasetos.

6.3 Equipos de protección personal

⚠ ADVERTENCIA

- Para reducir el riesgo de lesiones:
 - Siempre use ropa adecuada y equipos de protección, incluidas gafas de seguridad adecuadas.
- Si el cabello, la ropa o la vestimenta protectora entran en contacto con las cuchillas de corte en movimiento o se enredan en los componentes del cortasetos, podría perderse el control sobre la máquina, lo que podría provocar lesiones graves por cortes. Para reducir el riesgo de lesiones graves:



- Use ropa resistente y ajustada que le permita moverse con completa libertad.
- Use monos o pantalones largos hechos de un material grueso para protegerse las piernas. No lleve pantalones cortos.
- Lleve una camisa o una chaqueta de manga larga.
- Evite el uso de chaquetas sueltas, bufandas, corbatas, pantalones acampanados o con vueltas, joyas y cualquier prenda o complemento que pueda engancharse en ramas, matorrales o en el accesorio de corte en movimiento.
- Sujétese el cabello por encima de los hombros antes de empezar a trabajar.

- Para reducir el riesgo de sufrir lesiones oculares:



- Siempre utilice gafas o anteojos protectores bien ajustados que tengan protecciones laterales adecuadas, sean resistentes a los impactos y porten designaciones que indiquen que cumplen la norma ANSI Z87 "+".
- Es muy importante que mantenga los pies bien apoyados en todo momento. Como ayuda para mantener los pies apoyados de forma segura y para reducir el riesgo de lesiones durante el trabajo:



- Lleve un calzado resistente con suela antideslizante. Nunca use sandalias, chanclas, zapatos que dejen los dedos al descubierto ni calzado similar.
- Para mejorar el agarre y para proteger mejor sus manos:



- Siempre use guantes de trabajo gruesos y antideslizantes de cuero o de otro material resistente al desgaste para manipular el cortasetos o las cuchillas de corte.

Solo HSA 94 T

! ADVERTENCIA

- La exposición prolongada al ruido de la herramienta motorizada puede provocar daños permanentes en los oídos. Para reducir el riesgo de lesiones auditivas:
 - Lleve amortiguadores del ruido (tapones u orejeras).
 - Los usuarios regulares deben someterse con frecuencia a un control auditivo.
 - Proceda con especial atención y precaución cuando lleve puestas protecciones auditivas. Su capacidad para oír gritos, alarmas u otras advertencias sonoras estará restringida.




6.4 Cortasetos

! ADVERTENCIA

- Para reducir el riesgo de descarga eléctrica:
 - No sumerja el cortasetos en agua ni en otros fluidos.
 - Guarde el cortasetos bajo techo.
- Las cuchillas de corte tienen muchos cortadores afilados. El contacto con estos cortadores puede provocar lesiones graves, incluso cuando las cuchillas de corte estén detenidas. Para reducir el riesgo de que se produzcan este tipo de lesiones:
 - Mantenga las manos, los pies y cualquier otra parte del cuerpo lejos de las cuchillas de corte.
 - Nunca sujete el material que va a cortar.
 - Nunca retire el material cortado sin antes soltar el gatillo y retirar el cordón de conexión.
 - Use guantes de trabajo gruesos siempre que manipule el cortasetos o las cuchillas de corte.
 - Nunca toque cuchillas de corte en movimiento con las manos ni con ninguna otra parte de su cuerpo.


- Cubra las cuchillas de corte con una funda antes de transportar o guardar el cortasetos, para reducir el riesgo de contacto accidental.

- Este cortasetos a batería está diseñado solo para tareas de mantenimiento en el jardín y paisajismo. Su uso para otros fines puede aumentar el riesgo de lesiones y de daños materiales.
 - No intente cortar ningún material que no sea setos, arbustos, matas o vegetación blanda similar. No corte tallos, ramas ni otra vegetación que supere los diámetros siguientes:
 - Para HSA 94 R: 1,5 in. (38 mm)
 - Para HSA 94 T: 1,18 in. (30 mm)
 - Lea y respete las instrucciones de manejo de este manual para conocer las aplicaciones aprobadas,  17.

- Para reducir el riesgo de que el operador o las personas que se encuentran cerca sufran lesiones:



- Siempre suelte el gatillo y retire el cordón de conexión antes de montar, transportar, ajustar, inspeccionar, limpiar, reparar, mantener o guardar el cortasetos. Desconecte el cordón de conexión en caso de avería o de emergencia, y siempre que el cortasetos no esté en uso.
- Suelte el gatillo y retire el cordón de conexión antes de sacar material obstruido.
- Nunca deje el cortasetos desatendido cuando esté conectado a una batería.
- Si bien es posible conectar ciertos accesorios no autorizados al cortasetos de STIHL, su uso puede ser extremadamente peligroso. Le recomendamos que utilice únicamente accesorios suministrados por STIHL o expresamente aprobados por STIHL para el uso con este modelo específico.
 - Use solo accesorios suministrados o expresamente aprobados por STIHL.
 - Nunca modifique en modo alguno este cortasetos.


- Nunca intente modificar ni anular en modo alguno los controles ni los dispositivos de seguridad del cortasetos.
- Nunca utilice un cortasetos cuyo diseño original se haya modificado o alterado.
- Si el cortasetos se cae o se expone a impactos de fuerza similar:
 - Asegúrese de que no se ha dañado, de que está en buenas condiciones y de que funciona correctamente antes de reanudar el trabajo.
 - Verifique que los controles y los dispositivos de seguridad funcionan correctamente.
 - Compruebe si los LED de la batería indican que hay algún mensaje de error,  23.
 - Nunca trabaje con un cortasetos o con una batería que estén dañados o defectuosos. En caso de duda, lleve el cortasetos y la batería a su concesionario de servicio de STIHL autorizado para que los revisen.
- Si el cortasetos o la batería están dañados, no funcionan correctamente, se han dejado a la intemperie o han caído en agua o en otro líquido, sus componentes podrían no funcionar debidamente y los dispositivos de seguridad podrían haber quedado inoperantes. Para reducir el riesgo de lesiones y de daños materiales:
 - Lleve el cortasetos y la batería a su concesionario autorizado de STIHL para que los revisen antes de seguir utilizándolos.
- Las piezas de repuesto auténticas de STIHL están diseñadas específicamente para su modelo de cortasetos y cumplen los requisitos de rendimiento y de seguridad correspondientes. El uso de piezas no autorizadas o no aprobadas por STIHL puede provocar lesiones graves o mortales, así como daños materiales.
 - STIHL recomienda utilizar únicamente repuestos de STIHL idénticos a las piezas originales.

6.5 Uso del cortasetos

6.5.1 Antes de usar

ADVERTENCIA


- Un uso inadecuado o no autorizado puede causar lesiones y daños materiales.
 - Use el cortasetos solo como se describe en este manual de instrucciones.
- El uso de un cortasetos que se ha modificado, que está dañado, mal ajustado o no se ha mantenido debidamente, o que no se ha montado por completo y de forma segura, puede derivar en un fallo de funcionamiento y aumentar el riesgo de lesiones personales graves o mortales.
 - Nunca utilice un cortasetos que haya sido modificado, que esté dañado o mal mantenido, o que no se haya montado completamente y de forma segura.
 - Siempre compruebe si el cortasetos está en buenas condiciones y si funciona correctamente antes de iniciar el trabajo. Preste especial atención al pestillo de retención, al bloqueo del gatillo, al gatillo, a la palanca de conmutación, al protector de mano delantero y a las cuchillas de corte.
 - Asegúrese de que el pestillo de retención, el bloqueo del gatillo, el gatillo y la palanca de conmutación se mueven libremente, y de que regresan siempre a su posición cuando los suelta. El gatillo no debe poder apretarse hasta que se desbloquea el pestillo de retención y se pulsa el bloqueo del gatillo.
 - Nunca intente modificar ni anular en modo alguno los controles ni los dispositivos de seguridad.
 - Las cuchillas de corte deben moverse solo cuando la batería está colocada, se ha desbloqueado el pestillo de retención y se han presionado el bloqueo del gatillo, el gatillo y la palanca de conmutación.

- Si su cortasetos o cualquiera de sus piezas presentan daños o no funcionan correctamente, llévelos a un concesionario de servicio de STIHL autorizado. No use el cortasetos hasta que el problema se haya solucionado.
- Antes de insertar el cordón de conexión de la batería en el tomacorriente del cortasetos:
 - Compruebe si los contactos eléctricos del tomacorriente y del enchufe del cordón de conexión están corroídos o contienen materia extraña. Manténgalos limpios.
 - Si el tomacorriente está sucio o corroído, lleve la unidad a su concesionario de servicio STIHL autorizado antes de usarla.
 - Nunca inserte ni use una batería que esté defectuosa, dañada, agrietada o deformada, o que pierda líquido.
 - Lea y siga las instrucciones sobre el encendido del cortasetos,  15.1.
- Para reducir el riesgo de lesiones graves o mortales provocadas por un arranque accidental:
 - Asegúrese de que el pestillo de retención está en la posición de bloqueo y de que el gatillo está en la posición de apagado antes de insertar el cordón de conexión de la batería.
 - Nunca sostenga el cortasetos con el dedo en el gatillo.
 - Suelte el gatillo antes de retirar el cordón de conexión.

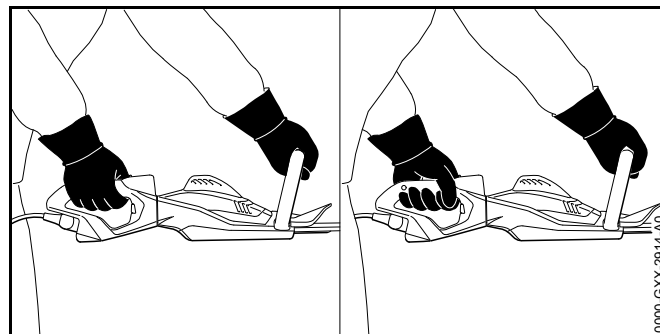


- Retire el cordón de conexión antes de montar, transportar, ajustar, inspeccionar, limpiar, reparar, mantener o guardar el cortasetos. Desconecte el cordón de conexión en caso de avería o de emergencia, y siempre que el cortasetos no esté en uso.

- Nunca deje el cortasetos desatendido cuando esté conectado a una batería.

- Nunca guarde el cortasetos con el cordón enchufado en su tomacorriente.
- Antes de encender el cortasetos, dé los siguientes pasos para reducir el riesgo de sufrir lesiones, de perder el control sobre la máquina o de entrar en contacto accidentalmente con el accesorio de corte:
 - Asegúrese de mantener las cuchillas de corte alejadas de su cuerpo y de obstáculos y objetos de cualquier otro tipo, incluido el suelo.
 - Nunca encienda el cortasetos si hay material entre las cuchillas de corte.
 - Lea y siga las instrucciones sobre el encendido del cortasetos,  15.1.

6.5.2 Sujeción y control del cortasetos



⚠ ADVERTENCIA

- Para sujetar con firmeza y controlar correctamente el cortasetos:
 - Mantenga los mangos limpios y secos en todo momento. Protéjalos de la humedad, del alquitrán, del aceite, de la grasa y de la resina.
- Para reducir el riesgo de perder el control y sufrir lesiones graves o mortales, o provocárselas a las personas que se encuentran cerca:
 - Sujete el cortasetos siempre firmemente con las dos manos mientras trabaja.
 - Agarre firmemente los mangos con todos los dedos, manteniéndolos apoyados entre los dedos índice y pulgar (vea la ilustración).
 - Coloque el cortasetos de modo que todos los miembros de su cuerpo estén alejados del accesorio de corte siempre que el cordón de conexión esté insertado.
- Manejar el cortasetos con una sola mano es extremadamente peligroso, porque se puede perder el control sobre el mismo. Para reducir el riesgo de que el operador o las personas de los alrededores sufran lesiones graves o mortales causadas por una pérdida de control:



- Nunca intente manejar el cortasetos con una sola mano.
- Nunca sujete el material que va a cortar. Nunca retire el material cortado sin antes soltar el gatillo y retirar el cordón de conexión.
- Suelte el gatillo y retire el cordón de conexión antes de sacar material obstruido.

- Para reducir el riesgo de que usted o las personas de los alrededores sufran lesiones graves o mortales causadas por una pérdida de control, asegúrese de que tiene los pies bien apoyados y de que mantiene el equilibrio en todo momento:
 - Nunca trabaje sobre una escalera de mano, sobre un techo, un árbol o cualquier otro punto de apoyo que no sea seguro.
 - Tenga especial cuidado cuando trabaje en terrenos con mucha vegetación y humedad, y preste atención siempre a posibles obstáculos ocultos como tocones, raíces, piedras, hoyos y zanjas, para evitar tropezones y caídas.
 - Proceda con extrema precaución cuando trabaje en declives o en terrenos irregulares.
 - Para no perder la estabilidad, retire siempre las ramas caídas, los arbustos, el material cortado y cualquier otro objeto o vegetación que pueda aumentar el riesgo de resbalarse, tropezarse o caer.
 - Nunca utilice el cortasetos por encima de sus hombros.
 - No extienda los brazos más de lo necesario. Mantenga el equilibrio y los pies bien apoyados en todo momento.
- Para reducir el riesgo de que el operador o las personas de los alrededores sufran cortes graves o mortales por contacto con las cuchillas:



- Mantenga las manos, los pies y todas las partes de su cuerpo lejos de las cuchillas de corte.
- No toque las cuchillas de corte cuando el cordón de conexión esté colocado en el cortasetos.
- Nunca toque cuchillas de corte en movimiento con las manos ni con ninguna otra parte de su cuerpo.



- Si las cuchillas de corte se atorán en ramas gruesas o en otros obstáculos, suelte inmediatamente el gatillo, el bloqueo del gatillo y la palanca de conmutación, y retire el cordón de conexión del cortasetos antes de intentar liberar las cuchillas.
- Para reducir el riesgo de sufrir lesiones a consecuencia de un tropiezo o de una pérdida de control sobre el cortasetos:
 - Ajuste las correas del arnés de la mochila de batería de modo que la placa quede firme y cómoda contra su espalda. Nunca lleve la batería tipo mochila AR o la batería tipo mochila AP con las correas sobre solo uno de sus hombros.
 - Si utiliza la bolsa de batería AP de STIHL con cordón de conexión, asegúrese de que está fijada de modo seguro al cinturón para batería STIHL, a la mochila de batería STIHL o a otro cinturón de trabajo de liberación rápida.
 - Coloque y asegure el cordón de conexión de modo que no le impida aplicar correctamente las técnicas de trabajo adecuadas ni merme su capacidad de mantener el control sobre el cortasetos. Asegure el cordón de conexión como se indica en el manual de instrucciones de su batería tipo mochila AR, de su bolsa de batería AP con cordón de conexión, del cinturón de batería o de la mochila de batería STIHL.
 - Mantenga el cordón de conexión alejado de las cuchillas de corte.
 - Preste atención a la ubicación del cordón de conexión mientras trabaja. Evite que entre en contacto con las cuchillas de corte o que se enganche en otros objetos, lo cual podría hacerle perder el equilibrio o el control y provocar lesiones graves y daños materiales.

6.5.3 Condiciones de trabajo

⚠ ADVERTENCIA

- Ponga el cortasetos en funcionamiento solamente en condiciones de buena visibilidad y a la luz del día.
 - Postergue el trabajo si hay mal tiempo, está ventoso, lluvioso o con neblina.
- Su cortasetos es una máquina que debe ser manejada por solamente una persona.
 - No se debe permitir la proximidad de otras personas, especialmente de niños, ni de animales en los lugares donde se esté utilizando la máquina.
 - Apague el cortasetos inmediatamente si se le aproxima alguna persona.
- Para reducir el riesgo de lesiones a los espectadores y usuarios no autorizados:
 - Nunca deje el cortasetos desatendido cuando esté conectado a la batería.
 - Apague el cortasetos y desconecte el cordón durante los descansos y en cualquier momento en que el cortasetos no se utilice.
- Las chispas que se generan del funcionamiento del cortasetos pueden encender gases, líquidos, vapores, polvos u otros materiales y sustancias combustibles. Para reducir el riesgo de incendio y explosión:
 - No ponga en funcionamiento el cortasetos en un lugar donde haya gases, líquidos, vapores, polvos u otros materiales y sustancias combustibles.
 - Lea y atégase a las recomendaciones dadas por autoridades gubernamentales (por ejemplo, OSHA) para identificar y evitar los peligros que representan gases combustibles, líquidos, vapores, polvos y otros materiales y sustancias combustibles.

- El uso de este cortasetos (incluido el afilado de las cuchillas de corte) puede generar polvo y otras sustancias que contengan productos químicos considerados como causantes de enfermedades respiratorias, cáncer, defectos de nacimiento u otra toxicidad reproductora.
 - Consulte con agencias gubernamentales tales como EPA, OSHA, CARB y NIOSH, al igual que otras fuentes fidedignas sobre materiales peligrosos si desconoce los riesgos asociados con las sustancias particulares que está cortando o con las cuales está trabajando.
- La inhalación de ciertos polvos, especialmente los polvos orgánicos, tales como el moho o polen, puede provocar reacciones alérgicas o asmáticas en las personas sensibles. La inhalación repetida o de grandes cantidades de polvo u otros contaminantes del aire, especialmente los de partículas pequeñas, puede causar enfermedades respiratorias o de otro tipo.
 - Controle el polvo en su fuente, siempre que sea posible.
 - Siempre trabaje con cuchillas de corte afiladas correctamente.
 - En la medida de lo posible, ponga el cortasetos en funcionamiento de modo que el viento o el proceso de operación dirijan cualquier polvo, vapor u otras partículas generados por el cortasetos en dirección contraria al operador.
 - Si no es posible mantener el polvo inhalable y otras partículas a niveles de fondo o aproximadamente de fondo, siempre utilice una mascarilla aprobada por NIOSH y con capacidad adecuada para las condiciones específicas del sitio. Siga las recomendaciones dadas por entidades gubernamentales (por ejemplo: OSHA/NIOSH) y asociaciones laborales y comerciales.
- Si la vegetación que corta o el terreno están cubiertos por una sustancia química, como pesticida o herbicida:
 - Lea y siga las instrucciones y advertencias que acompañan a la sustancia que cubre la vegetación o el terreno.

6.5.4 Instrucciones de manejo

⚠ ADVERTENCIA

- Para reducir el riesgo de que el operador o las personas de los alrededores sufran cortes graves o mortales por contacto con las cuchillas:



- Mantenga las manos, los pies y todas las partes de su cuerpo lejos de las cuchillas de corte.
 - No toque las cuchillas de corte mientras el cable de conexión esté conectado.
 - Nunca toque cuchillas de corte en movimiento con las manos ni con ninguna otra parte de su cuerpo.
 - Nunca sujete el material que va a cortar. Nunca retire el material cortado sin antes soltar el gatillo y retirar el cordón de conexión.
 - Suelte el gatillo y retire el cordón de conexión antes de sacar material obstruido.
- Para reducir el riesgo de lesiones graves provocadas por un arranque accidental de la máquina:
 - No toque las cuchillas de corte con la mano u otra parte del cuerpo cuando el cortasetos esté conectado con una batería, aunque las cuchillas de corte no estén girando. No toque las cuchillas de corte con la mano u otra parte del cuerpo cuando el cortasetos esté conectado con una batería, aunque las cuchillas de corte no estén girando.



- Si las cuchillas de corte se atorán en ramas gruesas o en otros obstáculos, suelte inmediatamente el gatillo, el bloqueo del gatillo y la palanca de conmutación, y retire el cordón de conexión del cortasetos antes de intentar liberar las cuchillas.

- Las cuchillas de corte se siguen moviendo por un rato después de que se sueltan por completo el gatillo o la palanca de interruptor.
 - Espere a que las cuchillas de corte se detengan antes de caminar con el cortasetos o de bajarlo.
- En caso de una emergencia, apague el motor de inmediato y desconecte el cable de conexión del cortasetos.
- El contacto con objetos extraños durante el corte puede dañar las cuchillas y hacer que se agrieten, se astillen, se rompan o se atoren. Para reducir el riesgo de sufrir lesiones personales graves o incluso mortales provocadas por una pérdida del control sobre la máquina, y para disminuir el riesgo de que se produzcan daños en el cortasetos:
 - Inspeccione el material que va a cortar y la zona que lo rodea en busca de piedras, alambres de vallas, metales u otros objetos extraños antes de empezar a trabajar. No use el cortasetos en zonas en las que las cuchillas de corte puedan entrar en contacto con este tipo de materiales.
 - Tenga especial cuidado cuando corte cerca de o junto a vallas de alambre. No toque el alambre con las cuchillas.
 - Cuando trabaje cerca del suelo, asegúrese de que no entren arena, grava ni piedras entre las cuchillas de corte.
 - No corte ninguna zona de un seto, arbusto, mata u otra vegetación que no pueda ver.
- Para reducir el riesgo de lesiones en los espectadores:
 - No permita que otras personas se acerquen a la zona general de trabajo.
 - Cuando pade la parte superior de un seto más alto, mire con frecuencia al otro lado del seto para cerciorarse de que no hay personas, animales ni obstáculos de ningún tipo.
- Revise las cuchillas de corte con frecuencia y regularidad durante el trabajo, o inmediatamente si nota cambios en el comportamiento de la máquina durante el corte:
 - Apague el cortasetos y desconecte el cable de conexión.
 - Compruebe le estado, el apriete y el filo de las cuchillas de corte.
 - Revise el cortasetos y compruebe si tiene piezas sueltas (tuercas, tornillos, etc.), o cuchillas agrietadas, dobladas, deformadas o dañadas. Cambie las cuchillas que estén dañadas antes de usar de nuevo el cortasetos.
 - Siempre mantenga las cuchillas de corte bien afiladas.
- Para reducir la fricción y la acumulación de suciedad en las cuchillas, que son factores que pueden impedir el correcto funcionamiento del cortasetos:
 - STIHL le recomienda que rocíe las cuchillas de corte con un disolvente de resinas, como el lubricante y eliminador de resinas STIHL, antes de comenzar a trabajar.

PELIGRO

- Para reducir el riesgo de electrocución:



- Nunca utilice este cortasetos cerca de alambres o cables que puedan tener corriente eléctrica.
- No confíe en el aislamiento contra descargas eléctricas del cortasetos.

7 Mantenimiento, reparación y almacenamiento

7.1 Advertencias e instrucciones

⚠ ADVERTENCIA

- El cargador, la batería y el cortasetos no contienen piezas que el usuario esté autorizado a reparar. Para reducir el riesgo de incendios, descargas eléctricas o lesiones de otro tipo, así como de años materiales:

- Los usuarios deben realizar únicamente los trabajos de mantenimiento y limpieza que se describen en este manual.
- Respete escrupulosamente las instrucciones de limpieza y mantenimiento que se dan en las secciones correspondientes de este manual de instrucciones.
- STIHL le recomienda que encargue la realización de todos los trabajos de reparación a un concesionario de servicio STIHL autorizado.

- Para reducir el riesgo de lesiones y de daños materiales provocados por un arranque accidental:



- Retire el cordón de conexión antes de inspeccionar el cortasetos o de llevar a cabo cualquier tarea de limpieza, mantenimiento o reparación. Retire el cordón de conexión antes de almacenar el cortasetos, y siempre que no esté en uso.

- Las cuchillas de corte son las únicas piezas del cortasetos que el usuario puede mantener. Un mantenimiento adecuado ayudará a mantener intacto el rendimiento de corte y a reducir el riesgo de lesiones.

- Use guantes de trabajo gruesos y antideslizantes siempre que manipule las cuchillas de corte.
- Mantenga las cuchillas de corte limpias y afiladas.
- Después de usar la máquina, apriete siempre todas las tuercas, los pernos y los tornillos.

- Nunca repare las cuchillas de corte dañadas aplicándoles soldadura, enderezándolas o modificando su forma. Esto puede provocar un desgaste excesivo o despaseo en partes de las cuchillas de corte, u otro daño que podría derivar en un fallo de funcionamiento o en una rotura durante el funcionamiento y causar lesiones graves o mortales.

- El uso de piezas no autorizadas o no aprobadas por STIHL puede provocar lesiones graves o mortales, así como daños materiales.
 - STIHL recomienda utilizar únicamente piezas de repuesto STIHL idénticas a las originales para llevar a cabo tareas de reparación o mantenimiento.
- Un almacenamiento incorrecto puede resultar en un uso no autorizado del cortasetos, o provocar daños en la máquina; además, aumenta el riesgo de incendios, descargas eléctricas y lesiones personales, así como de daños materiales.
 - Retire el cordón de conexión del cortasetos antes de guardarlo.
 - Guarde el cortasetos bajo techo, en un lugar seco y seguro al que no puedan acceder niños ni otras personas no autorizadas.

8 Seguridad de la batería

8.1 Advertencias e instrucciones

⚠ ADVERTENCIA

- Lea y respete las medidas de seguridad que figuran en la batería, así como todas las advertencias e instrucciones que se adjuntan con ella.

- El uso de baterías no autorizadas puede causar daños en la herramienta motorizada y provocar incendios, explosiones, lesiones personales y daños materiales.
 - Use únicamente baterías auténticas de las gamas AR o AP de STIHL con esta herramienta motorizada.
- La utilización de baterías de las gamas AR o AP de STIHL para cualquier fin que no sea alimentar los productos de STIHL podría ser extremadamente peligroso.
 - Use las baterías de las gamas AR y AP de STIHL solo para proporcionar alimentación a productos de STIHL compatibles.
- El uso de cargadores no autorizados puede causar daños en la batería y provocar incendios, explosiones, lesiones y daños materiales.
 - Para cargar las baterías de la gama AP de STIHL, utilice siempre cargadores STIHL AL 101, AL 300 o AL 500 auténticos.
 - Para cargar las baterías de mochila de la gama AR de STIHL, utilice siempre cargadores AL 300 o AL 500 de STIHL auténticos.
- La batería tiene funciones y dispositivos de seguridad que, de dañarse, pueden provocar que la batería genere calor, se rompa, pierda líquido, se incendie o explote.



- Nunca permita que la temperatura de la batería supere los 212 °F (100 °C).
- Nunca prenda fuego a la batería, ni la coloque sobre o junto a fuegos, estufas u otro tipo de objetos que alcancen temperaturas muy altas.
- Nunca use ni cargue una batería que no funcione correctamente, que esté dañada, agrietada, deformada o pierda líquido.
- Nunca abra, desmonte ni golpee la batería; no la deje caer ni la exponga a impactos fuertes o a daños de cualquier otro tipo.
- Nunca exponga la batería a microondas ni a presiones elevadas.
- Nunca introduzca objetos en las ranuras de ventilación de la batería.

- Las temperaturas extremas pueden hacer que la batería genere calor, se rompa, pierda líquido, se incendie o explote, lo que podría causar lesiones graves o fatales y daños materiales. La exposición a temperaturas no incluidas en el rango recomendado puede contribuir además a acortar la vida útil de la batería y a empeorar su rendimiento.



- Use y guarde la batería únicamente a una temperatura ambiente de entre 14 °F y 122 °F (-10 °C y 50 °C).
- Nunca guarde la batería en un lugar expuesto a la luz solar directa ni dentro de un vehículo si la temperatura exterior es elevada.
- Para reducir el riesgo de que se produzcan lesiones personales y daños materiales en caso de que la batería humee, emita un olor inusual o se caliente más de lo habitual durante el uso, la carga o el almacenamiento:
 - Deje de usar o de cargar de la batería inmediatamente. Póngase en contacto con las autoridades en caso de incendio o explosión.
- Para reducir el riesgo de que se produzca un cortocircuito, que podría causar, a su vez, una descarga eléctrica, un incendio o una explosión:



- Asegúrese de mantener secas las baterías de mochila AR 900, 1000, 2000, 3000 de STIHL. Protéjalas de la lluvia, del agua y de otros líquidos. Si llueve o el grado de humedad es muy elevado, cubra la batería AR 1000, 2000, 3000 de STIHL con la funda para lluvia antes de empezar a trabajar.



- Si una batería de la gama AP o AR L de STIHL ha estado expuesta a la lluvia durante el trabajo, sáquela de la herramienta y déjela secar bajo techo. Asegúrese de que está completamente seca antes de cargarla o de usarla.
- Nunca sumerja en agua ni en ningún otro líquido una batería de STIHL.
- Nunca puentee los terminales de la batería con alambres ni con otros objetos metálicos.
- Cuando no la esté usando, mantenga la batería alejada de objetos metálicos (p. ej., presillas para papel, clavos, monedas, llaves).
- Nunca transporte ni guarde la batería en un recipiente de metal.
- Guarde la batería bajo techo, en un lugar seco.
- Nunca guarde la batería en entornos húmedos o corrosivos, ni en condiciones que podrían provocar corrosión en los componentes metálicos.
- Proteja la batería de la exposición a productos corrosivos, como las sustancias químicas utilizadas en el jardín o las sales descongelantes.
- Proteja la batería de la exposición a líquidos conductores como el agua salada.
- No intente reparar, abrir ni desmontar la batería. No contiene ninguna pieza que el usuario pueda reparar sin ayuda.
- El líquido que contiene la batería, y que puede derramarse en determinadas circunstancias, es potencialmente nocivo y puede provocar irritaciones en los ojos y en la piel, quemaduras químicas y otras lesiones graves.
 - Evite el contacto con la piel y con los ojos.
 - Para recoger el líquido de batería derramado, use un producto absorbente inerte, como la arena.
 - En caso de contacto accidental, limpie inmediatamente y a fondo la zona afectada con un jabón suave y agua.

- Si le entra líquido de batería en los ojos: no se los frote. Aclárese los ojos con agua corriente durante al menos 15 minutos y acuda al servicio médico más cercano.
- Si la batería se prende fuego, puede resultar peligrosa. Para reducir el riesgo de que se produzcan lesiones personales graves y daños materiales, en caso de incendio:
 - Evacue la zona. El fuego se puede extender rápidamente. Manténgase lejos de cualquier vapor que se genere y respete una distancia de seguridad suficiente.
 - Avise a los bomberos.
 - Aunque se puede usar agua para apagar un incendio de batería, es preferible utilizar un extintor de incendios de polvo químico multiuso.
 - El cuerpo de bomberos le informará sobre la forma adecuada de deshacerse de una batería incendiada.

9 Antes de empezar a trabajar

9.1 Preparación del cortasetos para el funcionamiento

Antes de empezar a trabajar:

- ▶ Cargue la batería completamente. 📖 10.
- ▶ Coloque y ajuste la batería de mochila AR, el cinturón para batería o la batería de mochila STIHL, 📖 12.
- ▶ Compruebe el buen funcionamiento y condición de los controles, 📖 16.1.
- ▶ Compruebe que el accesorio de corte no presente daños u otros problemas.

10 Carga de la batería

10.1 Preparación del cargador para el funcionamiento

! ADVERTENCIA

Lea y atégase a las precauciones de seguridad dadas en la batería y en el cargador y todas las advertencias e instrucciones que acompañan a dichos productos. Para reducir el riesgo de cortocircuito, que podría provocar una descarga eléctrica, un incendio y una explosión, asegúrese de que el cargador y sus componentes estén secos y no estén dañados; opere el cargador puertas adentro a la temperatura ambiente adecuada.

! ADVERTENCIA

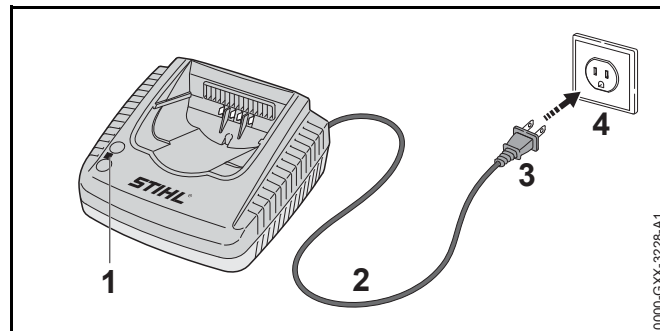
Un circuito eléctrico doméstico típico suministra entre 15 y 20 amperios. Un cargador STIHL AL 500 consume aproximadamente 4,8 A. Un cargador AL 300 consume aproximadamente 4,4 A. Para reducir el riesgo de incendios causados por la sobrecarga de un circuito eléctrico:

- ▶ Compruebe que el circuito eléctrico tenga capacidad suficiente para suministrar el consumo eléctrico anticipado antes de cargar la batería.
- ▶ Cargue varias baterías una por una, o en circuitos separados, a menos que se sepa que el circuito es capaz de soportar el consumo total anticipado de varios cargadores.

! ADVERTENCIA

Dado que el cargador se calienta durante el proceso de carga, no haga funcionar el cargador sobre superficies que puedan incendiarse o en un lugar donde haya gases, líquidos, vapores, polvo u otros materiales y sustancias combustibles.

Para preparar el cargador para el funcionamiento:



- ▶ Conecte el enchufe (3) a un tomacorriente de pared (4) debidamente instalado que suministre el voltaje y frecuencia indicados en la chapa de información del cargador.

El cargador ejecutará una autopruueba inmediatamente después de enchufarlo. El LED del cargador (1) se iluminará en verde durante 1 segundo aproximadamente, y luego en rojo por un lapso breve hasta apagarse. Una vez que el LED se apaga, la autopruueba ha finalizado y el cargador está listo para cargar la batería.

- ▶ Ubique el cordón eléctrico (2) como para que no se lo pise, cause tropezos, esté en contacto con objetos cortantes o partes móviles o, de otro modo sujeto, a daño o esfuerzo.

10.2 Carga

! ADVERTENCIA

Las baterías STIHL tienen características y dispositivos de seguridad que, de dañarse, pueden provocar que la batería genere calor, se rompa, pierda líquido, se incendie o explote. Nunca cargue una batería que funcione mal o que esté dañada, deformada o tenga fugas, ni utilice un cargador averiado. Nunca inserte una batería húmeda ni un adaptador de batería que esté mojado. Nunca use un cargador que esté mojado. Respete todas las advertencias e instrucciones específicas de su batería y de su cargador.

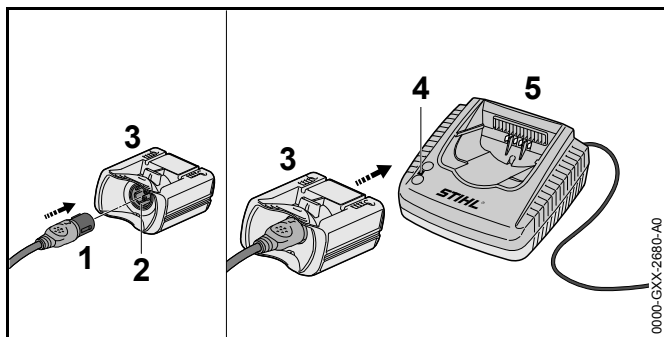
La batería no se suministra completamente cargada de fábrica. STIHL le recomienda que cargue la batería por completo antes de usarla por primera vez.

Utilice el cargador siempre bajo techo, en habitaciones secas y a temperaturas ambiente de entre 41 °F y 104 °F (5 °C y 40 °C).

La batería se calienta durante el funcionamiento de la herramienta motorizada. Si se conecta al cargador una batería caliente, puede ser necesario esperar a que se enfríe para que empiece a cargarse. El proceso de carga solo comienza una vez que la batería se ha enfriado lo suficiente.

El tiempo de carga depende de varios factores, tales como el estado de la batería y la temperatura ambiente. Si quiere ver una lista completa de los tiempos de carga aproximados, visite www.stihl.com/charging-times.

Para cargar una batería AR:



- ▶ Inserte el enchufe del cable de conexión (1) en el tomacorriente (2) del adaptador AP (3), hasta el tope.

- ▶ Inserte el adaptador AP en el cargador (5) hasta que haga tope.

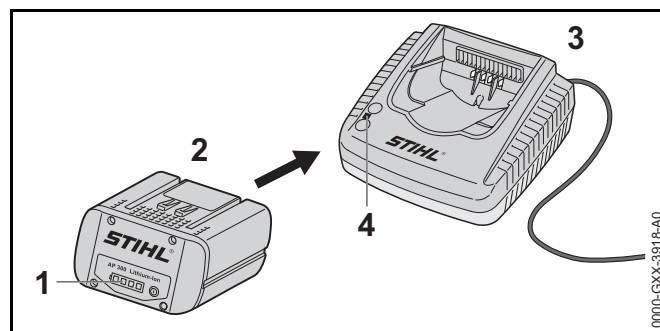
El LED del **cargador** (4) se ilumina en verde cuando la batería se está cargando.

Los LED de la **batería AR** se iluminan en verde e indican el estado de carga.

Cuando los LED de la batería se apagan, el proceso de carga ha finalizado y el cargador se apaga automáticamente. El adaptador AP se puede retirar del cargador.

- ▶ Desenchufe el cordón eléctrico del tomacorriente cuando el cargador no se vaya a usar durante un periodo prolongado.
- ▶ Cargue las baterías tipo mochila AR de STIHL únicamente con cargadores de las gamas AL 300 o AL 500 de STIHL auténticos.

Para cargar una batería AP:



- ▶ Inserte la batería (2) en el cargador (3) hasta que haga tope. El LED del **cargador** se ilumina en verde cuando la batería se está cargando.

Los LED (1) de la **batería AP** se iluminan en verde e indican el estado de la carga.

Cuando los LED de la batería se apagan, el proceso de carga ha finalizado y el cargador se apaga automáticamente. La batería AP se puede retirar del cargador.

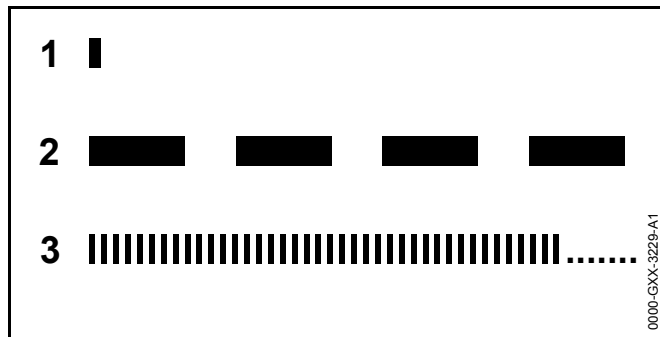
- ▶ Desenchufe el cordón eléctrico del tomacorriente cuando no esté usando el cargador.
- ▶ Para cargar las baterías de la gama AP de STIHL, utilice siempre cargadores STIHL AL 101, AL 300 o AL 500 auténticos.

11 Diagnóstico por LED y señales acústicas

11.1 Batería de mochila STIHL AR

11.1.1 Estado de la batería

Seis LED y una señal acústica denotan el estado de la batería.



1 Un pitido breve

La señal acústica funciona como debe hacerlo.

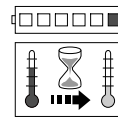
2 Cuatro o seis tonos largos (AR L)

La batería tiene poca carga. Recargue la batería.

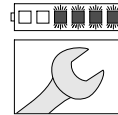
3 Sucesión rápida de pitidos breves

Hay una falla en la batería. La señal se detiene automáticamente al cabo de unos segundos. No intente cargar, usar ni guardar la batería. Sustituya la batería.

Estos LED pueden encenderse o destellar en verde o rojo.



Si un LED se enciende en rojo continuamente, la batería está demasiado caliente o demasiado fría. Deje que la batería se caliente o se enfríe gradualmente a una temperatura ambiente de aproximadamente 10 °C a 20 °C (50 °F a 68 °F).



Si los cuatro LED derechos destellan en rojo y se escucha una sucesión rápida de pitidos breves: la batería está averiada y es necesario reemplazarla. No intente cargar, usar ni guardar la batería.

- ▶ Sea consciente de que su capacidad para oír la señal acústica puede verse disminuida si usa protectores para oídos.

11.1.2 Estado de la herramienta motorizada

Cuando la batería está conectada con la herramienta motorizada, los mismos LED en la batería indicarán el estado de la herramienta motorizada.

Si tres LED se encienden en rojo continuamente, el motor de la herramienta motorizada está demasiado caliente. Deje que el motor se enfríe.

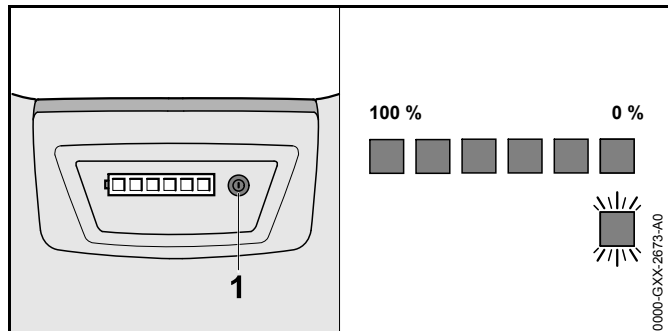
Si tres LED destellan en rojo cuando activa el gatillo, la herramienta motorizada tiene un defecto eléctrico. No utilice la herramienta motorizada. Solicite a un concesionario de servicio STIHL autorizado que la revise antes de usarlo.

Para información de localización de averías, 23.

11.1.3 Estado de carga

Los LED y señales acústicas en la batería también muestran el estado de carga de la batería.

Para determinar el estado de carga de la batería:



► Pulse el botón (1) en la batería tipo mochila.

Se escucha un pitido breve. Los LED de la batería se encenderán o destellarán en verde por unos 5 segundos e indicarán el estado de carga (vea la ilustración).

Por ejemplo:

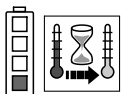
Si seis LED se encienden en verde continuamente, la carga está completa.

Si un LED verde destella y se escuchan cuatro pitidos largos: resta menos de un 20 % de carga.

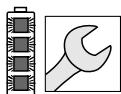
11.2 Batería AP de STIHL

11.2.1 Estado de la batería

Cuatro LED muestran el estado de la batería. Estos LED pueden encenderse o destellar en verde o rojo.



Si un LED se enciende en rojo continuamente, la batería está demasiado caliente o demasiado fría. Deje que la batería se caliente o se enfríe gradualmente a una temperatura ambiente de aproximadamente 10 °C a 20 °C (50 °F a 68 °F).



Si los cuatro LED destellan en rojo: la batería está averiada y debe reemplazarse. No intente cargar, usar ni guardar la batería.

11.2.2 Estado de la herramienta motorizada

Los mismos LED en la batería indican el estado de la herramienta motorizada.

Si tres LED se encienden en rojo continuamente, el motor de la herramienta motorizada está demasiado caliente. Deje que el motor se enfríe.

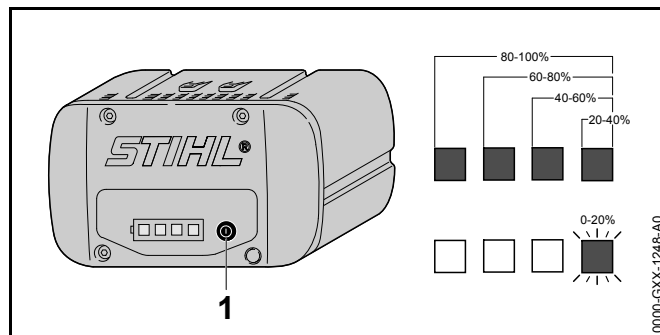
Si tres LED destellan en rojo cuando activa el gatillo, la herramienta motorizada tiene un defecto eléctrico. No utilice la herramienta motorizada. Solicite a un concesionario de servicio STIHL autorizado que la revise antes de usarlo.

Para información de localización de averías, 23.

11.2.3 Estado de carga

Los LED en la batería también muestran el estado de carga de la batería.

Para determinar el estado de carga de la batería:



► Presione el botón (1) en la batería.

Los LED de la batería se encenderán o destellarán en verde por unos 5 segundos e indicarán el estado de carga (vea la ilustración).

Por ejemplo:

Si cuatro LED se encienden en verde continuamente, la carga está completa.

Si un LED destella en verde, queda menos del 20 % de la carga.

12 Uso de un arnés para batería

12.1 Batería de mochila STIHL AR

12.1.1 Colocación y ajuste del cordón de conexión

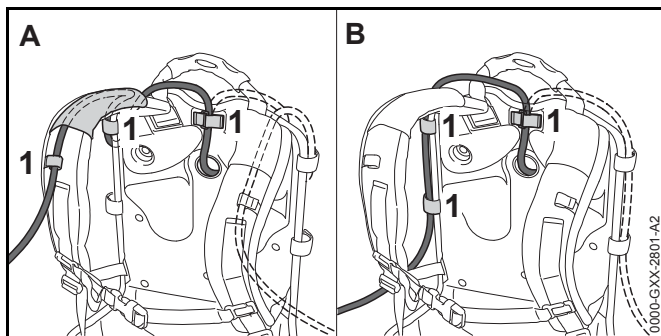
! ADVERTENCIA

Para reducir el riesgo de lesionarse por tropezarse con el cordón de conexión o por la pérdida del control de la herramienta motorizada, siempre asegure el cordón por las guías presentes en la mochila y con los cierres de velcro, de la manera descrita a continuación: Coloque y asegure el cordón de conexión de modo que no interfiera con las técnicas de trabajo adecuadas ni con su capacidad de mantener el control de la herramienta motorizada.

! ADVERTENCIA

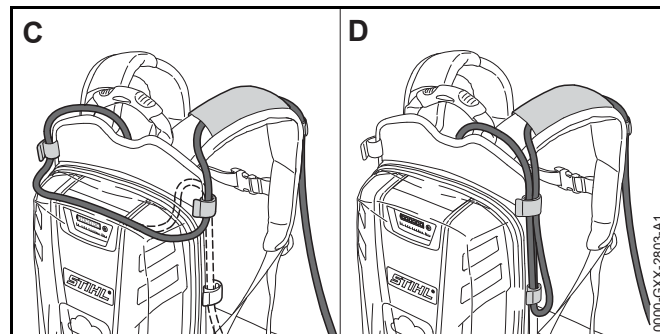
Coloque el cordón de manera que se impida que entre en contacto con el accesorio de corte/trabajo o que se enganche en algún objeto, lo cual podría hacerle perder el equilibrio o el control de la herramienta motorizada y dar por resultado lesiones personales graves y daños a la propiedad.

El cordón de conexión puede asegurarse en posiciones diferentes y ajustarse según la estatura y el alcance del operador.



El cordón de conexión puede pasarse por la guía en la correa para el hombro (ilustración A) o a lo largo de la placa trasera (ilustración B). Asegure el cordón de conexión al

bastidor de la mochila y con los cierres de velcro (1). Siempre asegure el cordón de conexión utilizando la guía o cierres de velcro hacia el mismo lado del cuerpo en el cual se sujeta y se controla la herramienta motorizada. No permita que el cordón de conexión penda delante de su cuerpo ni a su costado.



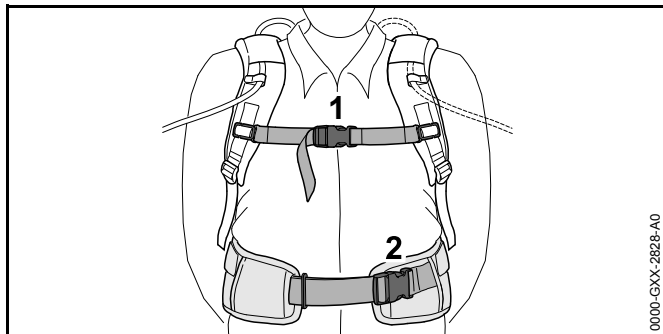
La longitud del cordón de conexión puede ajustarse por medio de formar un lazo por la parte superior (Ilust. C) o por el costado (Ilust. D) de la batería tipo mochila, fijándolo con cierres de velcro.

12.1.2 Colocación y ajuste de la batería de mochila

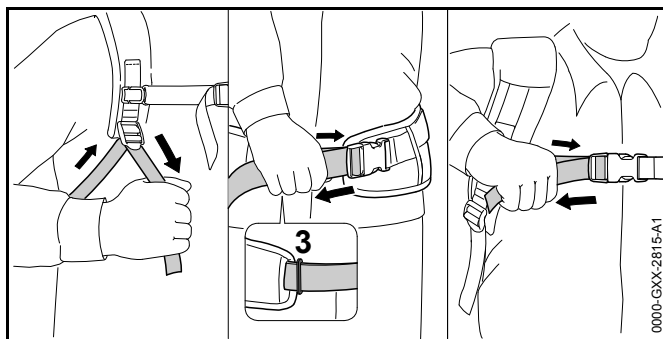
! ADVERTENCIA

El operador deberá poder despojarse de la batería de mochila rápidamente en caso de emergencia. Para reducir el riesgo de lesionarse en una emergencia, soltarse el cinturón y la correa de pecho rápidamente antes de dejar caer la batería de mochila al suelo.

Para asegurar una colocación adecuada:



- ▶ Colóquese la batería de mochila en las espaldas.
- ▶ Abroche y ajuste el cinturón (2) de modo que repose de manera cómoda pero segura sobre sus caderas.
- ▶ Abroche la tira para el pecho (1) y ajústela de modo que quede cómoda pero segura por su pecho.



- ▶ Ajuste las correas del arnés de modo que la mochila quede de modo firme y seguro contra sus espaldas.
- ▶ Pase el extremo del cinturón por dentro del lazo (3).
- ▶ Para quitarse el arnés, desabroche las hebillas de soltado rápido del cinturón y de la tira para el pecho y afloje las tiras del arnés por medio de levantar los ajustadores deslizantes.

Para ayudar a reducir el riesgo de lesionarse en caso de emergencia, practique la apertura rápida del sujetador del cinturón y de la correa de pecho, el soltado de las correas de hombro y despojarse de la batería.

INDICACIÓN

Para evitar daños, coloque la batería suavemente en el suelo cuando esté practicando. No permita que la batería caiga al suelo ni la lance.

12.2 Batería de mochila STIHL

12.2.1 Montaje de la bolsa de baterías AP con su cordón de conexión en la mochila

⚠ ADVERTENCIA

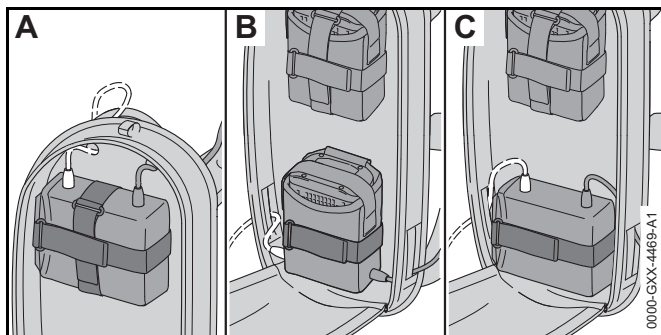
Para reducir el riesgo de lesionarse por tropezarse o por la pérdida del control de la herramienta motorizada, siempre asegure el cordón de conexión con los cierres de velcro en el sujetador de cable. Coloque y asegure el cordón de conexión de modo que no interfiera con las técnicas de trabajo adecuadas ni con su capacidad de mantener el control de la herramienta motorizada.

⚠ ADVERTENCIA

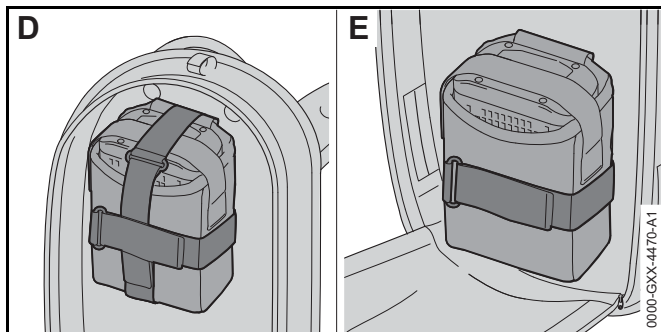
Coloque el cordón de manera que se impida que entre en contacto con el accesorio de corte/trabajo o que se enganche en algún objeto, lo cual podría hacerle perder el equilibrio o el control de la herramienta motorizada y dar por resultado lesiones personales graves y daños a la propiedad.

⚠ ADVERTENCIA

Nunca transporte objetos metálicos, puntiagudos ni afilados en la bolsa ni en la batería de mochila. Éstos podrían establecer una conexión entre los contactos eléctricos de la batería y causar un cortocircuito cuando se ha insertado la batería.



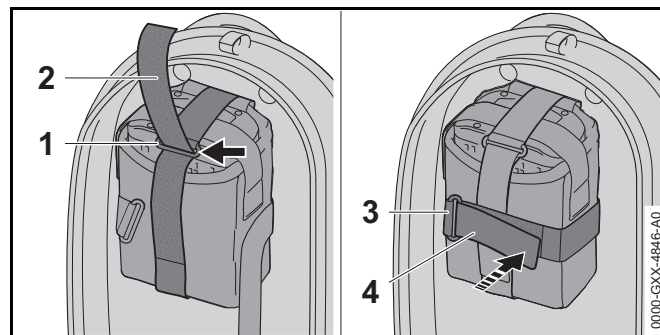
La bolsa de baterías AP con su cordón de conexión puede instalarse en la posición de fijación superior (ilust. A) o en la inferior (ilust. B y C) dentro de la mochila STIHL. Monte la bolsa de baterías con el cordón de conexión en el mismo lado de su cuerpo en el cual sostendrá y controlará la herramienta motorizada.



La bolsa de STIHL batería AP adicional puede instalarse en la posición de fijación superior (ilust. D) o en la inferior (ilust. E) dentro de la mochila STIHL.

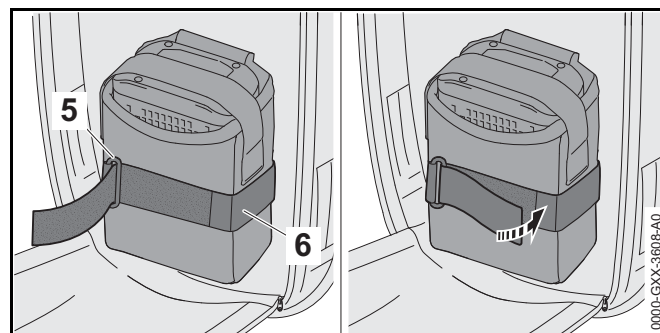
Para fijar la bolsa de baterías AP con su cordón de conexión o una bolsa de baterías AP adicional a la batería de mochila.

- ▶ Inserte la batería AP en la bolsa de batería AP con cordón de conexión o en la bolsa de baterías AP adicional.
- ▶ Fije la bolsa de baterías AP con su cordón de conexión o una bolsa de baterías AP adicional en uno de los puntos especificados.



▶ Si fija la bolsa de baterías en la posición superior, tire de la correa vertical (2) a través del anillo (1) y fije el cierre de velcro para asegurarla.

▶ Repita el proceso con la correa horizontal (4) y su anillo (3).



▶ Si la bolsa de baterías se fija la posición inferior, tire de la correa vertical (6) a través del anillo (5) y fije el cierre de velcro para asegurarla.

12.2.2 Colocación y ajuste del cordón de conexión

⚠ ADVERTENCIA

Para reducir el riesgo de lesionarse por tropezar con el cordón de conexión o por la pérdida del control de la herramienta motorizada, siempre asegure el cordón de conexión con el cierre de velcro de la manera descrita a continuación. Coloque y asegure el cordón de conexión de

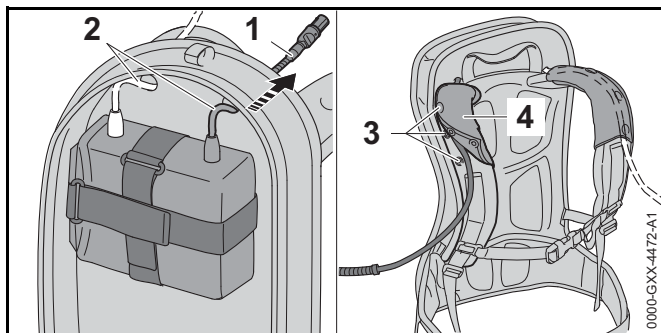
modo que no interfiera con las técnicas de trabajo adecuadas ni con su capacidad de mantener el control de la herramienta motorizada.

⚠ ADVERTENCIA

Coloque el cordón de manera que se impida que entre en contacto con el accesorio de corte/trabajo o que se enganche en algún objeto, lo cual podría hacerle perder el equilibrio o el control de la herramienta motorizada y dar por resultado lesiones personales graves y daños a la propiedad.

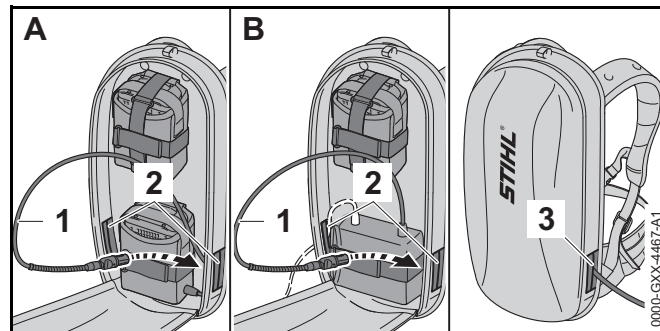
El cordón de conexión puede asegurarse en posiciones diferentes y ajustarse según la estatura y el alcance del operador.

Para tender el cordón de conexión a través de la guía en la correa de hombro:



- ▶ Inserte el cordón de conexión (1) a través de la abertura (2) en el lado de su cuerpo donde se sujetará y se controlará la herramienta motorizada.
- ▶ suelte los retenes (3) y tienda el cordón de conexión a través de la guía (4) en la correa de hombro.
- ▶ Cierre los retenes para asegurar el cordón en la guía.

Para tender el cordón de conexión a un costado:



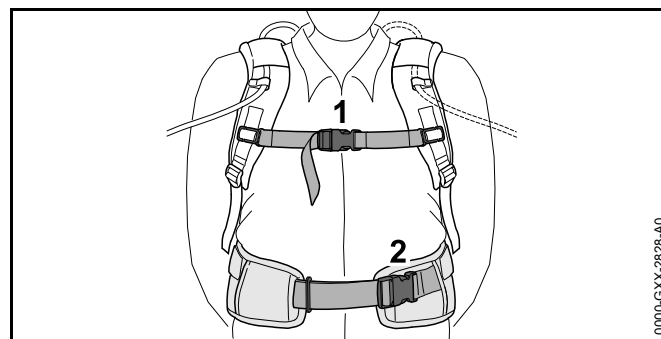
- ▶ Inserte el cordón de conexión (1) a través de la abertura (2) en el lado de su cuerpo donde se sujetará y se controlará la herramienta motorizada (ilustración A o B).
- ▶ Asegure el cordón de conexión usando el cierre de velcro (3).

12.2.3 Colocación y ajuste de la batería de mochila

⚠ ADVERTENCIA

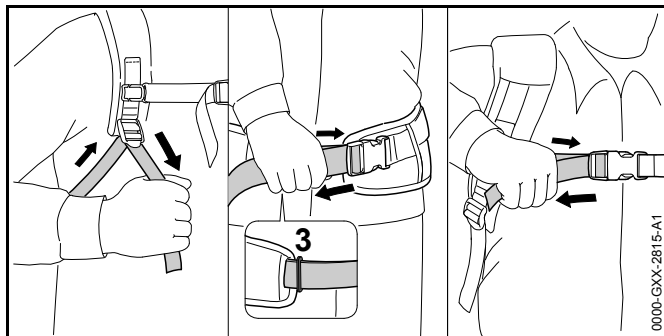
El operador deberá poder despojarse de la batería de mochila rápidamente en caso de emergencia. Para reducir el riesgo de lesionarse en una emergencia, soltarse el cinturón y la correa de pecho rápidamente antes de dejar caer la batería de mochila al suelo.

Para asegurar una colocación adecuada:



- ▶ Colóquese la batería de mochila en las espaldas.

- ▶ Abroche y ajuste el cinturón (2) de modo que repose de manera cómoda pero segura sobre sus caderas.
- ▶ Abroche la tira para el pecho (1) y ajústela de modo que quede cómoda pero segura por su pecho.



- ▶ Ajuste las correas del arnés de modo que la mochila quede de modo firme y seguro contra sus espaldas.
- ▶ Pase el extremo del cinturón por dentro del lazo (3).
- ▶ Para quitarse el arnés, desabroche las hebillas de soltado rápido del cinturón y de la tira para el pecho y afloje las tiras del arnés por medio de levantar los ajustadores deslizantes.

Para ayudar a reducir el riesgo de lesionarse en caso de emergencia, practique la apertura rápida del sujetador del cinturón y de la correa de pecho, el soltado de las correas de hombro y despojarse de la batería.

INDICACIÓN

Para evitar daños, coloque la batería suavemente en el suelo cuando esté practicando. No permita que la batería caiga al suelo ni la lance.

12.3 Cinturón para batería STIHL

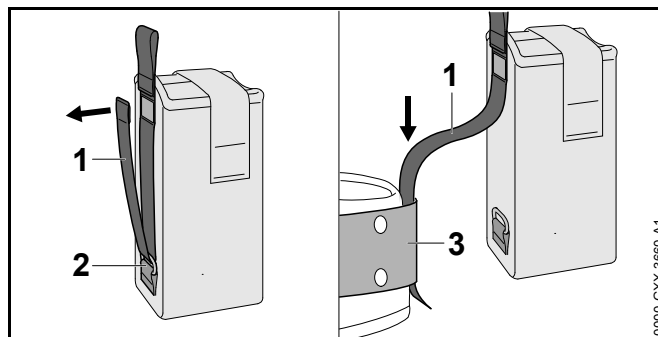
12.3.1 Montaje de la bolsa de batería AP al cinturón para batería STIHL

⚠ ADVERTENCIA

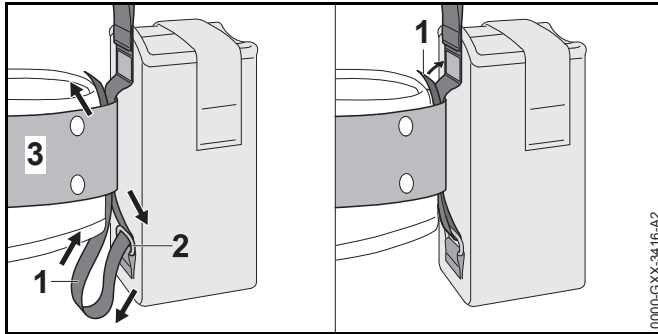
Para reducir el riesgo de lesionarse por tropezarse o por la pérdida del control de la herramienta motorizada, siempre asegure el cordón de conexión con el cierre de velcro. Coloque y asegure el cordón de conexión de modo que no interfiera con las técnicas de trabajo adecuadas ni con su capacidad de mantener el control de la herramienta motorizada.

⚠ ADVERTENCIA

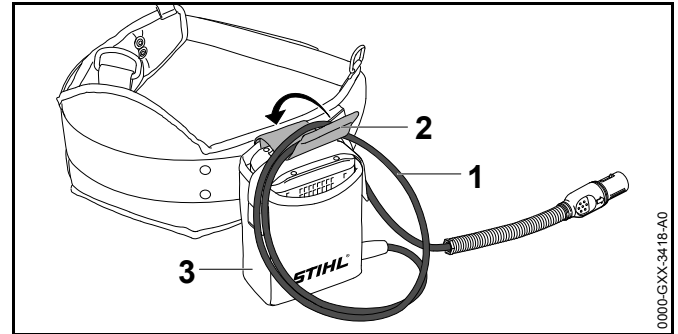
Coloque el cordón de manera que se impida que entre en contacto con las cuchillas de corte o que se enganche en algún objeto, lo cual podría hacerle perder el equilibrio o el control de la herramienta motorizada y dar por resultado lesiones personales graves y daños a la propiedad.



- ▶ Abra el cierre de velcro de la correa (1) y tire de la correa para sacarla del anillo (2).
- ▶ Tire de la correa por el cinturón para la batería (3).

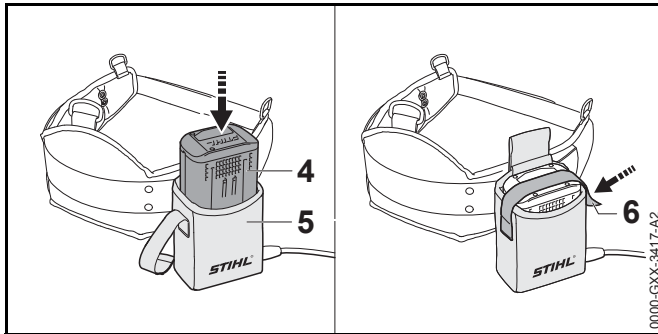


- ▶ Vuelva a pasar la correa (1) por el anillo (2) y cinturón para la batería (3).
- ▶ Sujete el gancho y el sujetador de gancho.



Se puede regular la longitud del cable de conexión haciendo un lazo (1) y asegurándolo a la parte superior de la bolsa de batería (3) con la hebilla de velcro (2).

- ▶ Siempre coloque y asegure el cordón de conexión de modo que no interfiera con las técnicas de trabajo adecuadas ni con su capacidad de mantener el control de la herramienta motorizada.



- ▶ Inserte la batería AP (4) en el compartimento para la batería (5).
- ▶ Asegure la batería con el lazo y el sujetador de gancho (6).

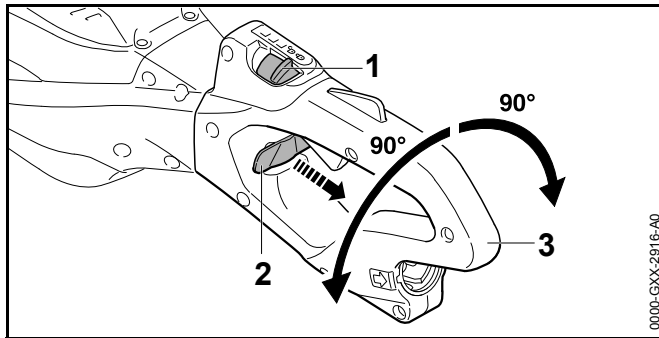
13 Ajuste del cortasetos


13.1 Montaje del mango de control

El mango de control puede girarse a cualquiera de las tres posiciones para adecuarlo a la situación.

Para girar del mango de control:

- ▶ Apague el cortasetos. 15.2.
- ▶ Retire el cordón de conexión, 14.2.





- ▶ Compruebe que el pestillo de retención (1) se encuentre en la posición bloqueada .
- ▶ Tirar de la palanca de bloqueo (2) hacia arriba y sostenerla en esta posición de desbloqueo.
- ▶ Girar el mango de control (3) en sentido horario o contrahorario.
- ▶ Soltar la palanca de bloqueo y devolverla a la posición de bloqueo.
- ▶ Gire el mango de control en sentido horario o contrahorario para asegurar que se ha enganchado en posición.

El mango de control deberá estar trabado en su lugar antes de insertar el cordón de conexión y empezar a trabajar.

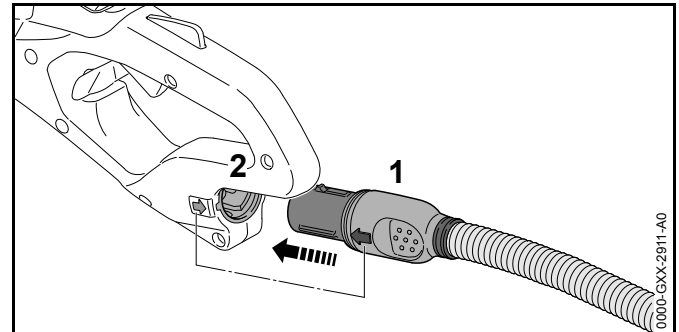
14 Inserción y retiro del cable de conexión

14.1 Colocación del cable de conexión

ADVERTENCIA

Nunca use una batería defectuosa, dañada, agrietada, deformada o que pierda líquido.  8. Utilice y guarde la batería únicamente a una temperatura ambiente de -10 °C a 50 °C (14 °F a 122 °F),  8.

Para insertar el cable de conexión:



- ▶ Alinee la flecha que está en el enchufe del cable de conexión (1) con la flecha del tomacorriente (2).
- ▶ Empuje el enchufe dentro del tomacorriente con una presión firme y uniforme hasta insertarlo por completo.

14.2 Retirada del cordón de conexión

ADVERTENCIA

Para reducir el riesgo de lesiones graves provocadas por una activación accidental, siempre retire el cordón de conexión antes de armar, transportar, ajustar, limpiar, reparar, mantener o guardar el cortasetos. Retire el cordón de conexión en caso de avería o de emergencia, y siempre que el cortasetos no esté en uso.

ADVERTENCIA

Para reducir el riesgo de descargas eléctricas y de otras lesiones causadas por la pérdida del control sobre la máquina, apague siempre la motoguadaña antes de retirar el cordón de conexión del tomacorriente.

Para retirar el cable de conexión:

- ▶ Suelte el gatillo.
- ▶ Retire el enchufe del tomacorriente del cortasetos tirando de él con una presión constante y uniforme.

INDICACIÓN

Evite exponer la batería a un calor o un frío excesivo, o a períodos prolongados de luz solar directa. El uso o el almacenamiento a temperaturas no incluidas en el rango de temperatura ambiente recomendado pueden reducir el rendimiento y/o la vida útil de la batería.

15 Encendido y apagado del cortasetos

15.1 Encendido

! ADVERTENCIA

Para reducir el riesgo de que el operador o los espectadores sufran lesiones graves o mortales debido al contacto con las cuchillas, mantenga las manos, los pies y cualquier otra parte del cuerpo alejados de las cuchillas de corte.

📖 6.5.2. No toque las cuchillas de corte mientras el cable de conexión esté conectado. Nunca toque cuchillas en movimiento con las manos ni con cualquier otra parte del cuerpo. 📖 6.5.4.

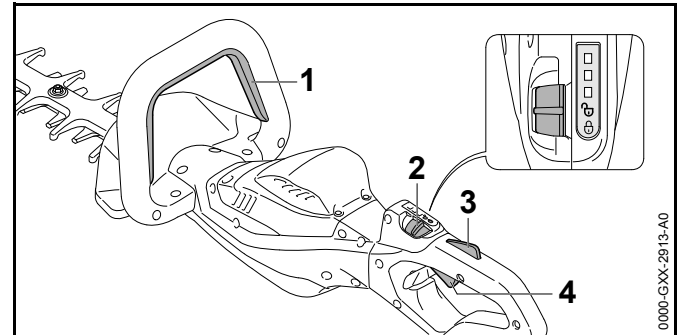
! ADVERTENCIA

Nunca opere el cortasetos si está modificado, dañado, mal ajustado o reparado, no fue armado completo y debidamente o no funciona de manera correcta. 📖 6.4. Para reducir el riesgo de lesiones personales, use siempre ropa adecuada y trajes protectores, incluso protección adecuada para los ojos cuando utiliza el cortasetos. 📖 6.3. Para reducir el riesgo de lesiones graves o mortales causadas por la pérdida de control, siempre sujete cortasetos con ambas manos cuando trabaje. 📖 6.5.2.

Antes de encender la máquina:

- ▶ Asegúrese de tener los pies bien apoyados.
- ▶ Párese derecho.
- ▶ Siempre sujete y opere el cortasetos con una mano ubicada firmemente en la parte trasera o mango de control y la otra mano colocada de la misma manera en la parte delantera o mango tórico.

Para encender el cortasetos:



- ▶ Mantenga presionada la palanca de interruptor (1).
- ▶ Desbloquee el pestillo de retención (2) al presionarlo hacia adelante con el pulgar. Manténgalo en esta posición de desbloqueo.
- ▶ Mantenga presionado el desbloqueo del gatillo (3). El pestillo de retención ahora se puede soltar y se mantendrá en la posición de desbloqueo.
- ▶ Oprima el gatillo (4) con el dedo índice. Las cuchillas de corte comenzarán a moverse.

El motor no se pondrá en marcha a menos que el pestillo de retención esté desbloqueado y la palanca de interruptor, el bloqueo del gatillo y el gatillo se opriman al mismo tiempo.

Cuanto más apriete el gatillo, más rápido giran las cuchillas de corte.

15.2 Apagado

! ADVERTENCIA

Las cuchillas de corte se seguirán moviendo por un tiempo breve después de que se suelta el gatillo o la palanca de interruptor. Para evitar lesiones graves o mortales, no esté en contacto con las cuchillas en movimiento. Para reducir el riesgo de lesiones personales causadas por la activación accidental o el uso no autorizado, apague el motor, asegúrese de que las cuchillas de corte se hayan detenido y retire el cordón de conexión antes de transportar o de bajar el cortasetos.

Para apagar el cortasetos:

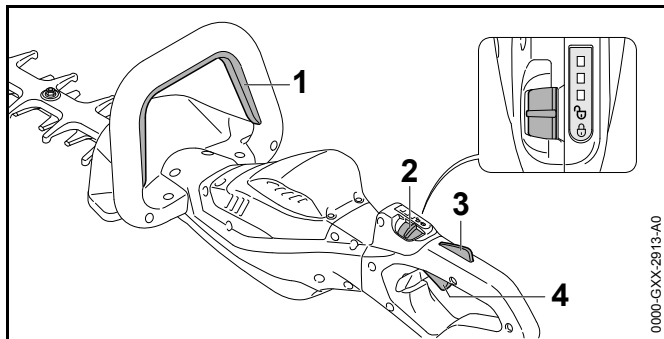
- ▶ Suelte el gatillo y el bloqueo.
- ▶ Cuando haya soltado el gatillo y el bloqueo del gatillo, el pestillo de retención volverá a la posición de bloqueo y se bloqueará la activación del gatillo.

Las cuchillas de corte se seguirán moviendo por un rato después de que se suelta el gatillo o la palanca de interruptor. Evite el contacto después de haber soltado el gatillo y al colocar el cortasetos en el suelo.

16 Comprobación del cortasetos

16.1 Prueba de los controles

Antes de comenzar a trabajar, confirme que la palanca de interruptor (1), el pestillo de retención (2), el bloqueo del gatillo (3) y el gatillo (4) estén libres de daños y funcionen correctamente:



Pestillo de retención (2), bloqueo de gatillo (3) y gatillo (4)

! ADVERTENCIA

Para reducir el riesgo de lesiones graves o mortales, mantenga las manos, los pies y cualquier otra parte del cuerpo alejados de las cuchillas de corte. No toque las cuchillas de corte mientras el cable de conexión esté conectado. Nunca toque cuchillas en movimiento con las

manos ni con cualquier otra parte del cuerpo. 6.5.2. Mantenga a las demás personas alejadas de la zona mientras prueba los controles.

Para probar el pestillo de retención, el bloqueo del gatillo y el gatillo.

- ▶ Retire el cordón de conexión.
- ▶ Desbloquee el pestillo de retención al presionarlo hacia adelante con el pulgar.
- ▶ Mantenga el pestillo de retención en la posición de desbloqueo.
- ▶ Presione el bloqueo del gatillo y el gatillo momentáneamente.
- ▶ Suelte el pestillo de retención, el bloqueo del gatillo y el gatillo.

El pestillo de retención, el bloqueo del gatillo y el gatillo deben volver a sus respectivas posiciones de bloqueo. Si no lo hacen, lleve el cortasetos a un concesionario de servicio STIHL autorizado para que la reparen antes de utilizarlo.

Si el gatillo se puede presionar sin antes desbloquear el pestillo de retención y oprimir el bloqueo del pestillo, lleve el cortasetos a un concesionario de servicio STIHL autorizado para que la reparen antes de utilizarlo.

Palanca de interruptor (1)

! ADVERTENCIA

Para reducir el riesgo de lesiones graves o mortales, mantenga las manos, los pies y cualquier otra parte del cuerpo alejados de las cuchillas de corte. No toque las cuchillas de corte mientras el cable de conexión esté conectado. Nunca toque cuchillas en movimiento con las manos ni con cualquier otra parte del cuerpo. 6.5.2. Mantenga a las demás personas alejadas de la zona mientras prueba los controles.

Para probar la palanca de interruptor:

- ▶ Inserte el cordón de conexión en el receptáculo del cortasetos.
- ▶ Sujete el cortasetos firmemente con ambas manos (envuelva los dedos con firmeza en los mangos).

- ▶ Desbloquee el pestillo de retención al presionarlo hacia adelante con el pulgar.
- ▶ Mantenga el pestillo de retención en la posición de desbloqueo.
- ▶ Presione solamente el bloqueo del gatillo y el gatillo. No presione la palanca de interruptor. Las cuchillas de corte no deben comenzar a moverse. Si lo hacen comenzar a moverse, lleve el cortasetos a un concesionario de servicio STIHL autorizado para que lo reparen antes de continuar utilizándolo.
- ▶ A continuación, sujete el cortasetos firmemente con ambas manos, y envuelva los dedos con firmeza en los mangos. Encendida el cortasetos presionando el bloqueo del gatillo, el gatillo y la palanca de interruptor momentáneamente. Las cuchillas deberán comenzar a moverse. Luego suelte el gatillo o la palanca de interruptor. Las cuchillas deberán detenerse.

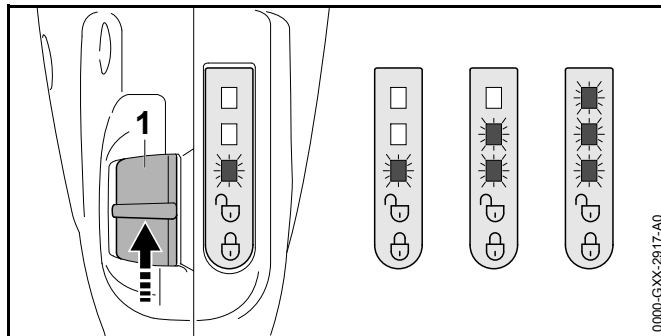
Si la cuchillas de corte no empiezan a moverse al oprimir el gatillo y la palanca de interruptor, o si no se detienen después de soltar el gatillo o la palanca de interruptor, desconecte el cable de conexión y lleve el cortasetos a un concesionario de servicio STIHL autorizado para que lo reparen antes de utilizarlo.

17 Durante el funcionamiento

17.1 Selección del nivel de potencia

La máquina puede usarse con tres niveles diferentes de potencia, los cuales se indican por medio de luces LED ubicadas en el mango de control. Cuanto más alto el nivel de potencia, más rápido giran las cuchillas de corte.

Para ajustar el nivel de potencia:



- ▶ Presione el pestillo de retención (1) hacia adelante con el pulgar. Los LED indicarán el nivel de potencia.
- ▶ Presione el pestillo de retención hacia adelante durante aproximadamente 1 segundo para activar el nivel de potencia siguiente. Si se efectúa esta operación cuando ya se ha seleccionado el nivel de potencia más alto, la máquina retorna al primer nivel de potencia.

En general, la duración de la batería se acorta cuando se usa el cortasetos de modo continuo con el nivel más alto de potencia.


17.2 Uso del cortasetos

⚠ ADVERTENCIA

Para reducir el riesgo de sufrir lesiones, nunca trabaje con el cortasetos bajo la lluvia o en condiciones muy húmedas, 6.4. Siempre use ropa adecuada y equipos de protección, incluidas gafas de seguridad apropiadas, 6.3. Trabaje con cuidado y mantenga un control adecuado del cortasetos, 6.5.2.

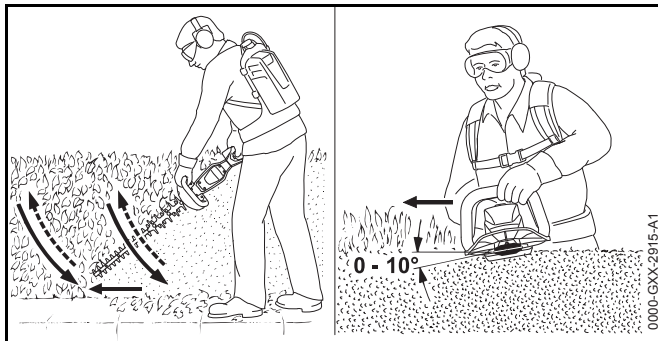
⚠ ADVERTENCIA

Para evitar lesiones graves o incluso mortales, evite el contacto con las cuchillas de corte en movimiento. Nunca sujete el material que va a cortar. Nunca retire el material

cortado sin antes soltar el gatillo y retirar el cordón de conexión. Suelte el gatillo y retire el cordón de conexión antes de sacar material obstruido,  6.5.4.

El cortasetos está diseñado para ser manejado con las dos manos.

- ▶ Antes de empezar a trabajar con el cortasetos, retire las ramas gruesas con una sierra de poda manual, con una podadora, una motosierra o una herramienta similar que sea adecuada.
- ▶ No corte tallos, ramas ni otra vegetación que supere los diámetros siguientes:
 - HSA 94 R: 1,5 in. (38 mm)
 - HSA 94 T: 1,18 in. (30 mm)



Corte en un plano vertical

- ▶ Gire las cuchillas de corte desde la parte inferior del seto hacia arriba, dibujando un arco controlado (vea la ilustración de arriba).
- ▶ Baje la punta de las cuchillas de corte, avance a lo largo del seto y gire las cuchillas de corte nuevamente hacia arriba en forma de arco.

Corte en un plano horizontal

- ▶ Sostenga el accesorio de corte a un ángulo de entre 0° y 10° mientras mueve las cuchillas de corte en horizontal, utilizando los dos lados de las cuchillas (vea la ilustración de arriba).

Respete todas las leyes, las regulaciones, los estándares y las normas aplicables.



18 Después de completar el trabajo

18.1 Preparación para el transporte o el almacenamiento

ADVERTENCIA

Para reducir el riesgo de lesiones personales causadas por la activación accidental o el uso no autorizado, apague el motor, asegúrese de que las cuchillas de corte se hayan detenido y desconecte el cordón de conexión antes de transportar o de bajar el cortasetos.

Para preparar el cortasetos para el transporte o el almacenamiento:

- ▶ Apague el cortasetos.  15.2.
- ▶ Retire el cordón de conexión,  14.2.
- ▶ Deslice la funda de la cuchilla por las cuchillas de corte de modo que cubra por completo el accesorio de corte.
- ▶ Si el cortasetos se humedeció durante el funcionamiento, permita que se seque por completo antes de cargarlo o guardarlo.

19 Transporte

19.1 Cortasetos

ADVERTENCIA

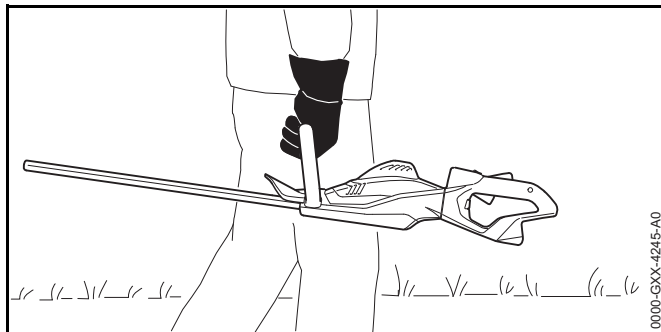
Para reducir el riesgo de lesiones personales graves causadas por la activación accidental, nunca transporte el cortasetos con el cable de conexión colocado.

ADVERTENCIA

Cubra por completo las cuchillas de corte con una funda antes de transportar o guardar el cortasetos para reducir el riesgo de lesiones por el contacto accidental.

Al transportar el cortasetos:

- ▶ Deslice la funda de la cuchilla por las cuchillas de corte de modo que cubra por completo el accesorio de corte.



- ▶ Al transportar el cortasetos con la mano, sosténgalo por el mango tórico con las cuchillas de corte apuntando hacia atrás, en dirección opuesta a la que está caminando.
- ▶ Al transportar el cortasetos en un vehículo, cubra por completo las cuchillas de corte con una funda. Asegure y coloque el cortasetos de manera tal que se eviten vuelcos, impactos y daños.

El cortasetos estándar incluye una funda.

20 Almacenamiento

20.1 Cortasetos

! ADVERTENCIA

Guarde el cortasetos bajo techo, en un lugar seco y seguro al que no puedan acceder niños ni otras personas no autorizadas, 7. Un almacenamiento inadecuado podría resultar en un uso no autorizado del cortasetos y causar daños en el equipo, 7.

! ADVERTENCIA

Para reducir el riesgo de activación accidental, nunca guarde el cortasetos con el cordón de conexión colocado. Siempre retire el cordón de conexión antes de guardar la máquina.

Cuando guarde el cortasetos:

- ▶ Limpie el cortasetos, 21.1.
- ▶ Limpie las cuchillas de corte, 21.2.
- ▶ Guarde el cortasetos bajo techo, en un lugar seco y seguro y fuera del alcance de los niños y de otras personas no autorizadas.

21 Limpieza

21.1 Limpieza del cortasetos

! ADVERTENCIA

Para reducir el riesgo de lesiones provocadas por una activación accidental, retire el cordón de conexión antes de llevar a cabo cualquier trabajo de limpieza, 7. Los usuarios de este cortasetos deben llevar a cabo únicamente las tareas de limpieza descritas en este manual.

Para limpiar el cortasetos:



- ▶ Limpie los componentes de polímero del cortasetos con un paño ligeramente húmedo. No use detergentes ni disolventes. Estos productos pueden dañar los componentes de polímero.
- ▶ No use una hidrolavadora para limpiar el cortasetos ni lo rocíe con agua o con otros líquidos.
- ▶ Mantenga el tomacorriente libre de materias extrañas y límpielo siempre que sea preciso con un cepillo suave o con un paño suave y seco.

INDICACIÓN

Nunca rocíe el cortasetos con agua. Rocíarlo con un chorro de agua podría dañar sus componentes electrónicos y otros sistemas.

21.2 Limpieza de las cuchillas de corte

⚠ ADVERTENCIA

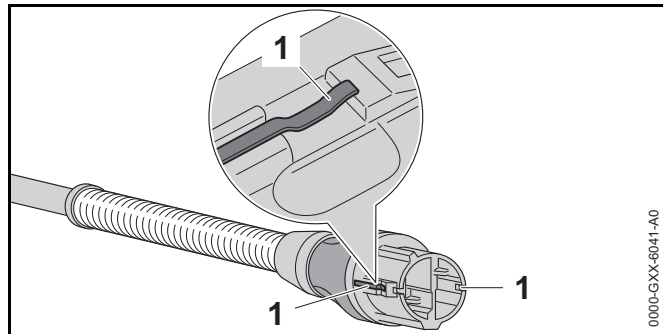
Para reducir el riesgo de lesiones personales por la activación accidental, quite el cable de conexión antes de realizar el trabajo de limpieza,  7. Los usuarios de este cortasetos deben efectuar únicamente la limpieza descrita en este manual. Para ayudar a evitar lesiones, siempre use guantes resistentes al manipular el cortasetos o las cuchillas de corte.  6.3.

Para limpiar las cuchillas de corte:

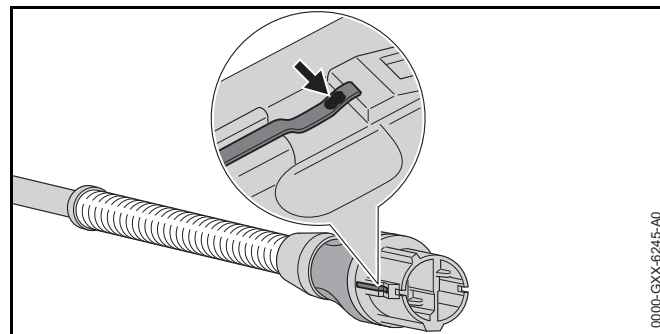
- ▶ Rocíe sobre ambas cuchillas de corte un solvente de resinas, como el lubricante y eliminador de resinas STIHL.
- ▶ Inserte el cable de conexión y encienda el cortasetos durante unos segundos para distribuir de manera pareja el disolvente de resina en las cuchillas de corte.
- ▶ No utilice una hidrolavadora para limpiar las cuchillas de corte ni las rocíe con agua u otros líquidos.

21.3 Limpie las superficies de contacto del cable de conexión

- ▶ Retire el cordón de conexión,  14.2.



- ▶ Limpie las superficies de contacto (1) con un trapo seco.



- ▶ Si se observa decoloración (flecha) en las superficies de contacto: Pulir la parte decolorada con papel de lija de grado fino (P 600) hasta que las superficies de contacto queden brillantes.

22 Inspección y mantenimiento

22.1 Tabla de inspección y mantenimiento

Siempre quite el cordón de conexión antes de realizar alguna tarea de inspección, limpieza o mantenimiento.

| Los siguientes intervalos de mantenimiento se brindan a modo de ejemplo y corresponden a condiciones normales de trabajo. El uso y la experiencia determinarán la frecuencia de inspección y mantenimiento requerida. | | Antes de empezar a trabajar | Después de terminar de | Cada 50 horas de funcionamiento | Capítulo correspondiente |
|---|---|-----------------------------|------------------------|---------------------------------|--------------------------|
| Máquina completa | Inspección visual | X | | | |
| | Limpiar | | X | | 21.1 |
| Controles | Revisar el funcionamiento y la condición. | X | | | 16.1 |
| Caja de engranajes | Lubricación | | | X | 22.3 |
| Cuchillas de corte | Inspección visual | X | X | | |

22.2 Inspección y mantenimiento del cortasetos

ADVERTENCIA

Para reducir el riesgo de lesiones personales causadas por la activación accidental, quite el cable de conexión antes de inspeccionar el cortasetos o de realizar trabajos de mantenimiento, 7. Efectúe únicamente las operaciones de mantenimiento que se describen en este manual. No hay reparaciones autorizadas para los usuarios. STIHL recomienda que los concesionarios de servicio STIHL autorizados efectúen los trabajos de reparación.

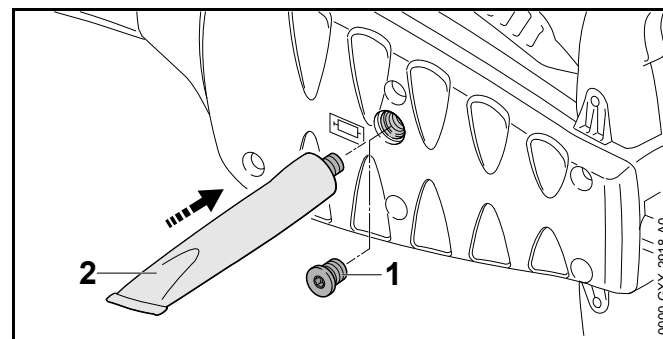
Para realizar el mantenimiento correcto del cortasetos:

- ▶ Lubrique la caja de engranajes.
- ▶ Afile las cuchillas de corte.
- ▶ Solicite a un concesionario de servicio STIHL autorizado que reemplace las cuchillas de corte desgastadas.
- ▶ Si las etiquetas de seguridad están dañadas o faltan, solicite etiquetas de repuesto a un concesionario de servicio STIHL autorizado.

Si usted está reclamando cobertura de garantía para algún componente que no ha sido reparado o mantenido debidamente, es posible que se deniegue la garantía.

22.3 Lubricación de la caja de engranajes

Para lubricar la caja de engranajes:



- ▶ Retire el tapón roscado (1).


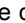
- ▶ Si no se ve grasa en el interior del tapón de llenado, enrosque el tubo (2) de lubricante para engranajes STIHL en el orificio de llenado.
- ▶ No inyecte más de 0,2 oz. (5 g) de grasa de STIHL en la caja de engranajes.
- ▶ Retire el tubo de lubricante para engranajes de STIHL.
- ▶ Coloque el tapón roscado en su lugar y apriételo.

INDICACIÓN

No llene la caja de engranajes por completo de grasa.

22.4 Inspección y mantenimiento de las cuchillas de corte

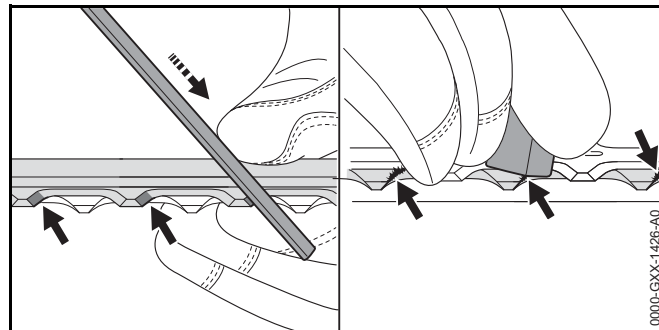
⚠ ADVERTENCIA



Para reducir el riesgo de lesiones personales causadas por la activación accidental, quite el cable de conexión antes de inspeccionar las cuchillas de corte o de realizar trabajos de mantenimiento,  7. Para ayudar a evitar lesiones, siempre use guantes resistentes al manipular el cortasetos o las cuchillas de corte.  6.3. STIHL recomienda que solicite a un concesionario de servicio STIHL autorizado que afile las cuchillas de corte.

Aunque lo mejor es que un concesionario afile las cuchillas de corte en un taller afilador, es posible usar una lima afiladora de corte transversal plana.

Afile las cuchillas de corte cuando el rendimiento de corte comience a deteriorarse, es decir, cuando las cuchillas se atoren en las ramas o no corten hábilmente el material.

Para afilar las cuchillas de corte con una lima:



- ▶ Afile cada borde de corte de la cuchilla superior con una lima afiladora. Siempre pase la lima por el filo con un movimiento hacia adelante que corresponda con el ángulo de afilado,  24.2. Afile en el movimiento hacia delante. Levante la lima de la cuchilla en la pasada de vuelta.
- ▶ Solo afile los bordes. No pase la lima por las partes desafiladas que sobresalgan del accesorio de corte o el protector de la cuchilla de corte. Asegúrese de que la pasada de afilado coincida con el ángulo de afilado.  24.2.
- ▶ Gire el cortasetos y afile los bordes de corte de la cuchilla de corte inferior.
- ▶ Utilice una piedra de amolar para quitar las rebabas de los bordes de corte. Quite la menor cantidad posible de material.
- ▶ Después de afilar, limpie los restos de partículas metálicas y el polvo con un paño seco o levemente humedecido y, luego, rocíe sobre las cuchillas de corte un solvente de resinas, como el lubricante y eliminador de resinas STIHL.

Si usted está reclamando cobertura de garantía para algún componente que no ha sido reparado o mantenido debidamente, es posible que se deniegue la garantía.






INDICACIÓN

Usar la herramienta con cuchillas de corte dañadas o sin filo puede sobrecargar el motor. Mantener las cuchillas de corte afiladas ayuda a conservar el rendimiento de corte y la vida útil esperada del producto.





23 Guía de solución de problemas

23.1 Cortasetos

Siempre retire el cordón de conexión antes de realizar cualquier trabajo de inspección, limpieza o mantenimiento.

| Problema | LED de la batería | Causa | Solución |
|--|--|---|--|
| El cortasetos no arranca cuando se enciende. | | No hay contacto eléctrico entre el cortasetos y la batería. | <ul style="list-style-type: none"> ▶ Retire el cordón de conexión,  14.2. ▶ Revise a simple vista los contactos eléctricos del tomacorriente. ▶ Vuelva a insertar el cordón de conexión,  14.1. ▶ Si el cortasetos sigue sin arrancar, limpie las superficies de los contactos del cordón de conexión,  21.3. |
| | 1 LED destella en verde. Solo STIHL AR: además, se emiten cuatro pitidos largos. | La batería tiene poca carga. | ▶ Cargue la batería como se describe en este manual de instrucciones. |
| | 1 LED se ilumina en rojo. | La batería está demasiado caliente/demasiado fría. | ▶ Espere a que la batería se caliente o se enfríe gradualmente hasta alcanzar una temperatura ambiente de entre 50 °F y 68 °F aproximadamente (de 10 °C a 20 °C). |
| | 4 LED destellan en rojo. Solo STIHL AR: además, se emite una sucesión rápida de pitidos cortos. | La batería no funciona correctamente. | <ul style="list-style-type: none"> ▶ Retire y vuelva a insertar el cordón de conexión,  14. ▶ Encienda el cortasetos,  15.1. ▶ Si los LED siguen destellando, no intente usar la máquina. La batería no funciona correctamente, y es necesario cambiarla. |
| | 3 LED se iluminan en rojo. | El cortasetos está demasiado caliente. | ▶ Espere a que el cortasetos se enfríe. |

Siempre retire el cordón de conexión antes de realizar cualquier trabajo de inspección, limpieza o mantenimiento.

| Problema | LED de la batería | Causa | Solución |
|---|----------------------------|--|--|
| | 3 LED destellan en rojo. | El cortasetos está averiado. | <ul style="list-style-type: none"> ▶ Retire y vuelva a insertar el cordón de conexión,  14. ▶ Encienda el cortasetos,  15.1. ▶ Si los LED siguen destellando, no intente usar la máquina. El cortasetos tiene una avería y debe ser revisado en un concesionario de servicio. |
| | | Las cuchillas de corte no están limpias ni lubricadas. | <ul style="list-style-type: none"> ▶ Limpie las cuchillas de corte,  21.2. ▶ Si los LED siguen destellando, no intente usar la máquina. El cortasetos tiene una avería y debe ser revisado en un concesionario de servicio. |
| El cortasetos se apaga durante el funcionamiento. | 1 LED se ilumina en rojo. | La batería está demasiado caliente/demasiado fría. | <ul style="list-style-type: none"> ▶ Retire el cordón de conexión,  14.2. ▶ Espere a que el cortasetos y la batería se enfríen gradualmente hasta alcanzar una temperatura ambiente de entre 50 °F y 68 °F aproximadamente (entre 10 °C y 20 °C). |
| | 3 LED se iluminan en rojo. | El cortasetos está demasiado caliente. | |
| El tiempo de funcionamiento es demasiado corto. | | La batería no está completamente cargada. | ▶ Cargue la batería como se describe en este manual de instrucciones. |
| | | Se alcanzó o se superó la vida útil de la batería. | ▶ Lleve la batería a un concesionario de servicio STIHL autorizado para que la revisen. |

24 Especificaciones

24.1 STIHL HSA 94 R, HSA 94 T

- Tipos de batería aprobados:
 - Gama STIHL AR
 - Gama AP de STIHL en combinación con la bolsa para batería AP con cordón de conexión
- Peso:
 - HSA 94 R, cuchillas de corte con un largo de 24 in. (600 mm): 9,0 lbs. (4,1 kg)
 - HSA 94 T, cuchillas de corte con un largo de 24 in. (600 mm): 8,6 lbs (3,9 kg)

Si necesita información técnica sobre las baterías de las gamas AR y AP de STIHL, consulte la información de producto que se adjunta con la batería.

Si necesita información técnica sobre los cargadores de las gamas AL 101, 300 y 500 de STIHL, consulte la información de producto que se adjunta con su cargador.

Las baterías, los cargadores y otros accesorios se venden por separado. Póngase en contacto con su concesionario de servicio STIHL autorizado para obtener información sobre precios y disponibilidad.

24.2 Cuchillas de corte

HSA 94 R

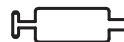
- Espacio entre dientes: 1,5 pulg (38 mm)
- Largo de corte: 600 mm (24 pulg)
- Ángulo de afilado: 45°

HSA 94 T

- Espacio entre dientes: 30 mm (1,18 pulg)
- Largo de corte: 600 mm (24 pulg)
- Ángulo de afilado: 45°

24.3 Símbolos en el cortasetos

| Símbolo | Explicación |
|---------|--------------------|
| V | Voltio |
| CC | Corriente continua |



Orificio de llenado para lubricante de engranajes



Los productos STIHL no se deben desechar junto con la basura del hogar, sino en conformidad con las leyes y normas locales, estatales y federales provistas en este manual. 26.

24.4 Mejoramientos técnicos

STIHL tiene la filosofía de mejorar continuamente todos sus productos. Como resultado de ello, periódicamente se introducen cambios de diseño y mejoras. Por lo tanto, es posible que algunos cambios, modificaciones y mejoras no se describan en este manual. Si las características de funcionamiento o la apariencia de su máquina difieren de las descritas en este manual, comuníquese con el concesionario STIHL para obtener la ayuda que requiera.

24.5 Declaración de cumplimiento con norma FCC 15

Este dispositivo cumple con la parte 15 de las normas de la FCC.

El funcionamiento está sujeto a las dos condiciones dadas a continuación:

- este dispositivo no deberá causar interferencias nocivas.
- este dispositivo deberá aceptar todas las interferencias que reciba, incluso las interferencias que pudieran causar un funcionamiento no deseado.

Nota: Este equipo ha sido sometido a prueba y se ha hallado que cumple con los límites de los dispositivos digitales Categoría B, según la parte 15 del Reglamento de la FCC. Estos límites están diseñados para ofrecer protección razonable contra las interferencias nocivas en una instalación residencial. Este equipo genera, utiliza y puede irradiar energía a radiofrecuencias y, si no se lo instala y

utiliza conforme a las presentes instrucciones, podría causar interferencias nocivas para las comunicaciones por radio. No obstante, no se ofrece garantía alguna de que la interferencia no ocurrirá en una instalación particular.


Si este equipo llegara a causar interferencias perjudiciales a la recepción de radio o televisión, lo cual puede determinarse encendiendo y apagando el equipo, se le indica al usuario que intente corregir la interferencia por medio de tomar una o más de las medidas siguientes:

- reoriente o cambie la ubicación de la antena de recepción,
- aumente la separación entre el equipo y el receptor,
- conecte el equipo a un tomacorriente de un circuito diferente al cual está conectado el receptor,
- consulte a un concesionario de servicio STIHL autorizado o a un técnico de radio/TV experto para recibir ayuda.

No cambie ni modifique este producto en modo alguno, a menos que se le indique específicamente hacerlo en este manual, puesto que podría anular la autoridad de usarlo.

25 Piezas y equipos de repuesto

25.1 Piezas de repuesto originales de STIHL

STIHL recomienda el uso de piezas de repuesto originales de STIHL. Es posible identificar las piezas originales de STIHL por el número de pieza STIHL, el logotipo de **STIHL** y, en ciertos casos, el símbolo  de piezas STIHL. En las piezas pequeñas el símbolo puede aparecer solo.

26 Eliminación

26.1 Desecho de la herramienta motorizada

Los productos STIHL no se deben desechar junto con la basura del hogar, sino de la manera en que se detalla en este manual.

- ▶ Tome la herramienta motorizada y su embalaje a un sitio aprobado para desecharla y que efectúe un reciclaje no dañino al medio ambiente.
- ▶ Comuníquese con un concesionario de servicio STIHL autorizado para obtener la información más actualizada sobre eliminación y reciclado.

26.2 Reciclado de las baterías

ADVERTENCIA

Manipule las baterías descargadas/agotadas con cuidado. Aunque parezca que están descargadas, las baterías de ion de litio nunca se descargan completamente y pueden generar una corriente de cortocircuito peligrosa. Si se dañan o exponen a temperaturas extremas, pueden perder líquido, generar calor, incendiarse o explotar.

- ▶ Respete todas las leyes y normas federales, estatales y locales sobre eliminación de desechos.
- ▶ Comuníquese con un concesionario de servicio STIHL autorizado para obtener la información más actualizada acerca de la eliminación de desechos.
- ▶ Recicle las baterías agotadas rápidamente.
- ▶ Mantenga las baterías alejadas de los niños. No desarme el producto ni lo incinere.



STIHL está comprometida con el desarrollo de productos que protejan el medio ambiente. Este compromiso no termina cuando el producto sale del concesionario de servicio STIHL autorizado. STIHL se asoció con la RBRC (Corporación de Reciclaje de Baterías Recargables) para fomentar la recolección y el reciclado de baterías de ion de litio STIHL en los Estados Unidos y Canadá.

El sello de la RBRC indica que STIHL ya aportó dinero para el reciclado de la batería. El sello de la RBRC lleva impreso un número telefónico gratuito (1-800-822-8837) que le permite acceder a información sobre lugares de reciclaje de baterías y prohibiciones o restricciones respecto del reciclado de baterías en su zona. También puede devolver las baterías a cualquier concesionario de servicio STIHL autorizado para reciclarlas gratuitamente.

27 Garantía limitada

27.1 Política de garantía limitada de STIHL Incorporated

Este producto se vende sujeto a la Política de garantía limitada de STIHL Incorporated, disponible en www.stihlusa.com/warranty.html. También puede obtenerlo de un concesionario de servicio STIHL autorizado o llamando al 1-800-GO-STIHL (1-800-467-8445).

28 Marcas comerciales

28.1 Marcas comerciales registradas

STIHL®

STIHL®

La combinación de colores anaranjado-gris (Registros en EE. UU. #2,821,860; #3,010,057, #3,010,058, #3,400,477; y #3,400,476)

AutoCut®

YARD BOSS®

STIHL ROLLOMATIC®

WOOD BOSS®



FARM BOSS®

iCademy®

MAGNUM®

MasterWrench Service®

MotoMix®

OILOMATIC®

ROCK BOSS®

STIHL Cutquik®

STIHL DUROMATIC®

STIHL Quickstop®



STIHL WOOD BOSS®

TIMBERSPORTS®



28.2 Marcas comerciales por ley común

| | |
|-------------|-------------------|
| 4-MIX™ | HT Plus™ |
| BioPlus™ | STIHL PowerSweep™ |
| Easy2Start™ | STIHL Protech™ |

| | |
|---|---|
| EasySpool™ | STIHL MiniBoss™ |
| ElastoStart™ | STIHL MotoPlus 4™ |
| Ematic™ | Master Control Lever™ |
| STIHL Precision Series™ | STIHL OUTFITTERS™ |
| FixCut™ | STIHL PICCO™ |
| Micro™ | TrimCut™ |
| Pro Mark™ | STIHL M-Tronic™ |
| Quad Power™ | STIHL HomeScaper Series™ |
| Quiet Line™ | STIHL PolyCut™ |
| STIHL Arctic™ | STIHL RAPID™ |
| STIHL Compact™ | STIHL SuperCut™ |
| STIHL Interchangeable Attachment Series™ | STIHL Multi-Cut HomeScaper Series™ |
| TapAction™ | STIHL Territory™ |
|  |  |

Esta lista de marcas comerciales está sujeta a cambios.

Queda terminantemente prohibido todo uso de estas marcas comerciales sin el consentimiento expreso por escrito de ANDREAS STIHL AG & Co. KG, Waiblingen.

29 Direcciones

29.1 STIHL Incorporated

STIHL Incorporated
536 Viking Drive
P.O. Box 2015
Virginia Beach, VA
23452-2015

⚠ WARNING

Use of this hedge trimmer can generate dust and other substances containing chemicals known to the State of California to cause cancer, birth defects or other reproductive harm.

⚠ ADVERTENCIA

El uso de estos cortasetos puede generar polvo y otras sustancias que contienen productos químicos considerados por el Estado de California como causantes de cáncer, defectos de nacimiento u otra toxicidad reproductora.

⚠ WARNING

This hedge trimmer contains chemicals known to the State of California to cause cancer, birth defects or other reproductive harm.

⚠ ADVERTENCIA

Estos cortasetos contienen productos químicos considerados por el Estado de California como causantes de cáncer, defectos de nacimiento u otra toxicidad reproductora.

0458-005-8621-A

englisch / spanisch USA



www.stihl.com



0458-005-8621-A