

STIHL

STIHL HLA 135, 135 K

Instruction Manual
Manual de instrucciones



! WARNING

Read Instruction Manual thoroughly before use and follow all safety precautions – improper use can cause serious or fatal injury.

! ADVERTENCIA

Antes de usar la máquina lea y siga todas las precauciones de seguridad dadas en el manual de instrucciones – el uso incorrecto puede causar lesiones graves o mortales.



Instruction Manual

1 - 45

Manual de instrucciones

46 - 94

Contents

1	Introduction	2	10.1 Setting up the Charger	20
2	Guide to Using this Manual	2	10.2 Charging	21
2.1	Signal Words	2	11 LED Diagnostics and Acoustic Signals	22
2.2	Symbols in Text	3	11.1 STIHL AP Battery	22
3	Main Parts	3	11.2 STIHL AR Backpack Battery	23
3.1	HLA 135 Hedge Trimmer and Battery	3	12 STIHL AR Backpack Battery	24
3.2	HLA 135 K Hedge Trimmer and Battery	4	12.1 Positioning the Connecting Cord	24
4	Safety Symbols on the Products	6	12.2 Putting on the Harness	25
4.1	Hedge Trimmer	6	13 Assembling the Hedge Trimmer	25
4.2	Battery	6	13.1 Mounting the Gearbox	25
5	General Power Tool Safety Warnings	7	13.2 Mounting the Loop Handle (HLA 135 only)	26
5.1	Introduction	7	14 Inserting and Removing the Battery	27
5.2	Work Area Safety	7	14.1 Inserting the Battery	27
5.3	Electrical Safety	8	14.2 Removing the Battery	27
5.4	Personal Safety	8	15 Switching the Hedge Trimmer On and Off	28
5.5	Power Tool Use and Care	8	15.1 Switching On	28
5.6	Battery Tool Use and Care	9	15.2 Switching Off	28
5.7	Service	9	16 Checking the Controls	28
5.8	Hedge Trimmer Safety Warnings	9	16.1 Testing the Controls	28
5.9	Extended-reach Hedge Trimmer Safety Warnings	10	17 During Operation	29
6	IMPORTANT SAFETY INSTRUCTIONS	10	17.1 Adjusting the Angle of the Cutting Blades	29
6.1	Intended Use	10	17.2 Putting on and Adjusting the Shoulder Strap	30
6.2	Operator	11	17.3 Selecting the Power Level	30
6.3	Personal Protective Equipment	11	17.4 Using the Hedge Trimmer	31
6.4	Hedge Trimmer	12	18 After Finishing Work	32
6.5	Using the Hedge Trimmer	13	18.1 Preparing for Transportation or Storage	32
7	Battery Safety	18	19 Transporting the Hedge Trimmer and Battery	32
7.1	Warnings and Instructions	18	19.1 Hedge Trimmer	32
8	Maintenance, Repair and Storage	19	19.2 Battery	33
8.1	Warnings and Instructions	19	20 Storing the Hedge Trimmer and Battery	33
9	Before Starting Work	20	20.1 Hedge Trimmer	33
9.1	Preparing the Hedge Trimmer for Operation	20	20.2 Battery	34
10	Charging the Battery	20		

STIHL

This instruction manual is protected by copyright. All rights reserved, especially the rights to reproduce, translate and process with electronic systems.

21 Cleaning	34
21.1 Cleaning the Hedge Trimmer and Battery	34
21.2 Cleaning the Cutting Blades	34
21.3 Cleaning the Air Filter	35
22 Inspection and Maintenance	35
22.1 Inspecting and Maintaining the Hedge Trimmer	35
22.2 Inspecting and Maintaining the Cutting Blades	35
22.3 Lubricating the Gearbox	36
23 Troubleshooting Guide	38
23.1 Hedge Trimmer and Battery	38
24 Specifications	40
24.1 STIHL HLA 135	40
24.2 STIHL HLA 135 K	40
24.3 Cutting Blades	40
24.4 Symbols on the Hedge Trimmer, Battery and Charger	40
24.5 Engineering Improvements	41
24.6 FCC 15 Compliance Statement	41
25 Approved Harness Combinations	41
25.1 Harness Combinations	41
26 Replacement Parts and Equipment	42
26.1 Genuine STIHL Replacement Parts	42
27 Disposal	42
27.1 Disposal of the Power Tool	42
27.2 Battery Recycling	42
28 Limited Warranty	43
28.1 STIHL Incorporated Limited Warranty Policy	43
28.2 STIHL Incorporated CALIFORNIA ZERO EMISSIONS CONTROL WARRANTY STATEMENT	43
29 Trademarks	45
29.1 Registered Trademarks	45
29.2 Common Law Trademarks	45
30 Addresses	45
30.1 STIHL Incorporated	45

1 Introduction

Thank you for your purchase. The information contained in this manual will help you receive maximum performance and satisfaction from your hedge trimmer and, if followed, reduce the risk of injury from its use.

SAVE THIS MANUAL!



Because a hedge trimmer is a high-speed cutting tool, special safety precautions must be observed to reduce the risk of personal injury.



Read this instruction manual thoroughly before use and periodically thereafter. Follow all safety precautions. Careless or improper use can cause serious or fatal injury.

Have your authorized STIHL servicing dealer show you how to operate your power tool.

Do not lend or rent the hedge trimmer without this instruction manual. Allow only persons who fully understand the information in this manual to operate the hedge trimmer.

For further information, or if you do not understand any of the instructions in this manual, please go to www.stihlusa.com or contact your authorized STIHL servicing dealer.

2 Guide to Using this Manual

2.1 Signal Words

This manual contains safety information that requires your special attention. Such information is introduced with the following symbols and signal words:



DANGER

Indicates a hazardous situation that, if not avoided, will result in death or serious injury.

⚠ WARNING


Indicates a hazardous situation that, if not avoided, could result in death or serious injury.

NOTICE

Indicates a risk of property damage, including damage to the machine or its individual components.

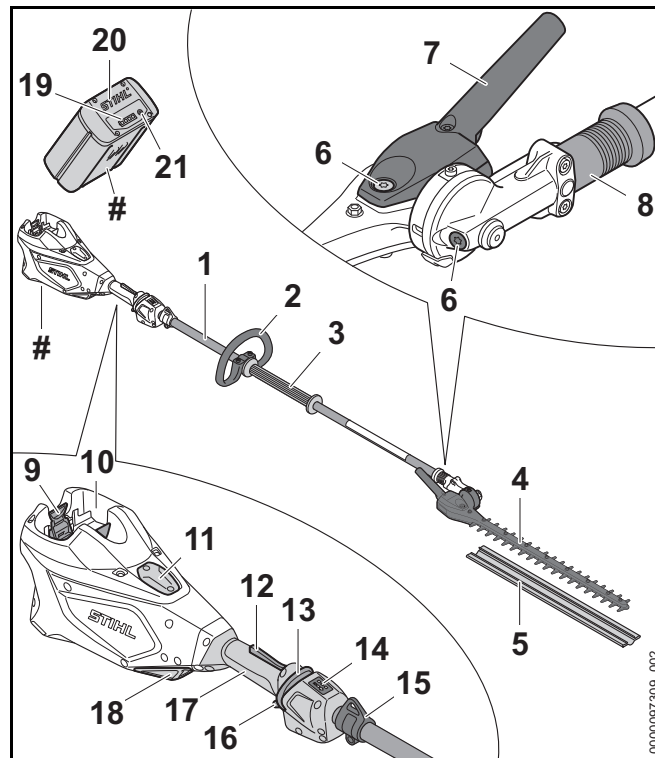
2.2 Symbols in Text

The following symbol is included to assist you with the use of the manual:

 Refers to a designated chapter or sub-chapter in this instruction manual.

3 Main Parts

3.1 HLA 135 Hedge Trimmer and Battery



1 Drive Tube

Hedge trimmer shaft.

2 Loop Handle

Handle for the operator's front hand.

3 Front Handle

Handle for the operator's front hand.

4 Cutting Blades

Steel blades for cutting hedges, shrubs and bushes.

5 Blade Scabbard

Covers the cutting blades to reduce the risk of injury from inadvertent contact during transportation and storage.

6 Screw Plug

Seals the grease filler opening at the gearbox.

7 Blade Adjustment Grip

Used to set the cutting blades to the desired angle.

8 Blade Adjustment Release

Unlocks the cutting attachment to allow angle adjustment.

9 Locking Lever

Secures the battery in the battery compartment.

10 Battery Compartment

Holds the battery.

11 Mounting Recess

Mounting area for a Smart Connector 2 A.

12 Trigger Switch Lockout

Must be depressed to allow activation of the trigger switch.

13 Retaining Latch

For switching the hedge trimmer on and selecting the power level.

14 LEDs

Indicate the unit's power level.

15 Carrying Ring

For connecting a harness to the hedge trimmer.

16 Trigger Switch

Activates the cutting attachment when depressed.

17 Control Handle

Handle for the operator's rear hand.

18 Air Filter

Filters the air drawn into the motor.

19 Battery LEDs

Indicate the battery's state of charge and display error messages regarding potential malfunctions in the battery or power tool.

20 Battery

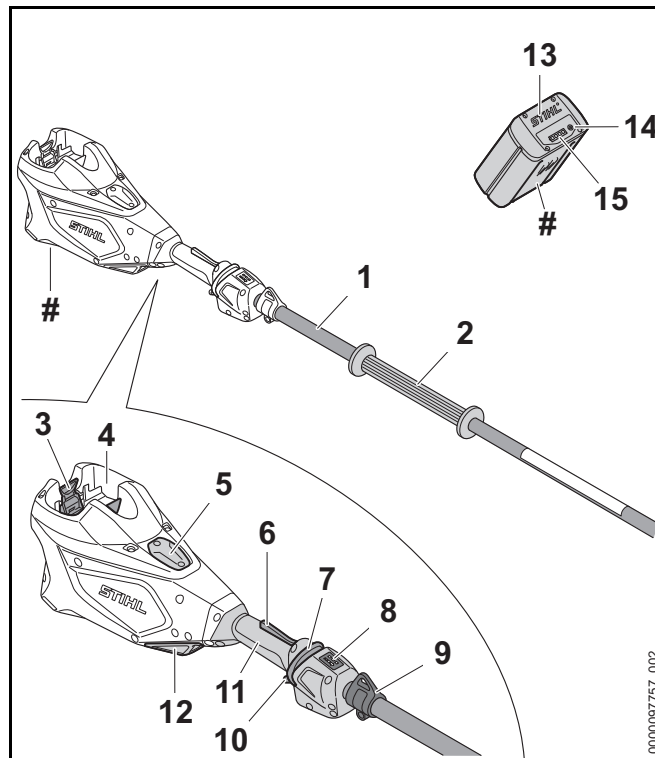
Supplies electrical power to the motor.

21 Push Button

Activates the battery's LEDs.

Rating Plate

Contains electrical information and the product's serial number.

3.2 HLA 135 K Hedge Trimmer and Battery

1 Drive Tube

Hedge trimmer shaft.

2 Front Handle

Handle for the operator's front hand.

3 Locking Lever

Secures the battery in the battery compartment.

4 Battery Compartment

Holds the battery.

5 Mounting Recess

Mounting area for a Smart Connector 2 A.

6 Trigger Switch Lockout

Must be depressed to allow activation of the trigger switch.

7 Retaining Latch

For switching the hedge trimmer on and selecting the power level.

8 LEDs

Indicate the unit's power level.

9 Carrying Ring

For connecting a harness to the hedge trimmer.

10 Trigger Switch

Activates the cutting attachment when depressed.

11 Control Handle

Handle for the operator's rear hand.

12 Air Filter

Filters the air drawn into the motor.

13 Battery

Supplies electrical power to the motor.

14 Push Button

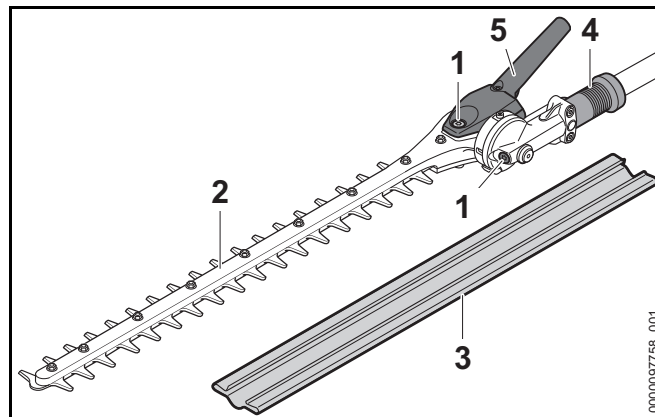
Activates the battery's LEDs.

15 Battery LEDs

Indicate the battery's state of charge and display error messages regarding potential malfunctions in the battery or power tool.

Rating Plate

Contains electrical information and the product's serial number.

**Adjustable Cutting Attachment****1 Screw Plug**

Seals the grease filler opening at the gearbox.

2 Cutting blades

Steel blades for cutting hedges, shrubs and bushes.

3 Blade Scabbard

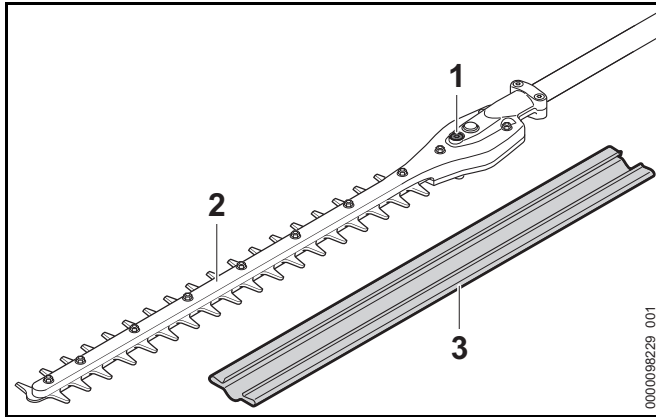
Covers the cutting blades to reduce the risk of injury from inadvertent contact during transportation and storage.

4 Blade Adjustment Release

Unlocks the cutting attachment to allow angle adjustment.

5 Blade Adjustment Grip

Used to set the cutting blades to the desired angle.



Non-adjustable Cutting Attachment

1 Screw Plug

Seals the grease filler opening at the gearbox.

2 Cutting blades

Steel blades for cutting hedges, shrubs and bushes.

3 Blade Scabbard

Covers the cutting blades to reduce the risk of injury from inadvertent contact during transportation and storage.

4 Safety Symbols on the Products

4.1 Hedge Trimmer

The following safety symbols are found on the hedge trimmer:



To reduce the risk of injury, follow the specified safety precautions.



Read and follow all safety precautions in the instruction manual. Improper use can lead to serious or fatal personal injury or property damage.



To reduce the risk of eye injury, always wear proper eye protection. Wear an approved protective helmet when there is a risk of head injury, 6.3.



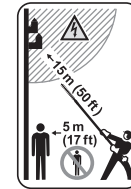
Wear sturdy boots with non-slip soles. Steel-toed safety boots are recommended, 6.3.



Always wear non-slip, heavy-duty work gloves (e.g. made of leather or other wear resistant material) when handling the machine or cutting blades, 6.3.



To reduce the risk of cut injuries, keep hands, feet and other body parts away from the cutting blades, 6.5.4.



To reduce the risk of personal injury, keep bystanders at least 17 ft. (5 m) away and maintain a clearance of at least 50 ft. (15 m) between the hedge trimmer (including any branches it is contacting) and any electrical line carrying live current. 6.5.4.



To reduce the risk of injury or property damage from unintended activation, remove the battery any time the hedge trimmer is not in use, 6.4.

4.2 Battery

The following safety symbols are found on the AR series backpack battery and the AP series battery:



To reduce the risk of injury, follow the specified safety precautions.



Read and follow all safety precautions in the battery's instruction manual and the manual for the STIHL tool powered by this battery. Improper use can lead to serious or fatal personal injury or property damage.



To reduce the risk of personal injury or property damage from fire, explosion or burns, including chemical burns, do not disassemble, crush, drop, damage or heat above 212 °F (100 °C). Never expose to fire or incinerate, 7.1.



To reduce the risk of personal injury or property damage from fire, use and store only within an ambient temperature range of 14 °F to 122 °F (- 10 °C to 50 °C), 7.1.

AR 900, 1000, 2000, 3000 Backpack Batteries



To reduce the risk of personal injury or property damage from a short circuit, fire or explosion, keep dry. Protect from rain, water, liquids and damp conditions. Never immerse in water or other liquids, 7.1.

AR L Backpack Batteries



To reduce the risk of personal injury or property damage from a short circuit, fire or explosion, keep dry. Never immerse in water or other liquids, 7.1.

AP Series Batteries



To reduce the risk of personal injury or property damage from a short circuit, fire or explosion, keep dry. Never immerse in water or other liquids, 7.1.

Batteries sold separately.

5 General Power Tool Safety Warnings

5.1 Introduction

This chapter contains the prescribed general safety warnings and instructions for handheld, motor-operated electric power tools. Additional important warnings and instructions are provided in subsequent chapters of this manual.

▲ WARNING

- **Read all safety warnings, instructions, illustrations and specifications provided with this power tool.** Failure to follow all instructions listed below may result in electric shock, fire and/or serious injury.
- **Save all warnings and instructions for future reference.**

The term "power tool" in the warnings refers to your mains-operated (corded) power tool or battery-operated (cordless) power tool.

5.2 Work Area Safety

- a) **Keep work area clean and well lit.** Cluttered or dark areas invite accidents.
- b) **Do not operate power tools in explosive atmospheres, such as in the presence of flammable liquids, gases or dust.** Power tools create sparks which may ignite the dust or fumes.
- c) **Keep children and bystanders away while operating a power tool.** Distractions can cause you to lose control.

5.3 Electrical Safety

- a) **Power tool plugs must match the outlet. Never modify the plug in any way. Do not use any adapter plugs with earthed (grounded) power tools.** Unmodified plugs and matching outlets will reduce the risk of electric shock.
- b) **Avoid body contact with earthed or grounded surfaces, such as pipes, radiators, ranges and refrigerators.** There is an increased risk of electric shock if your body is earthed or grounded.
- c) **Do not expose power tools to rain or wet conditions.** Water entering a power tool will increase the risk of electric shock.
- d) **Do not abuse the cord. Never use the cord for carrying, pulling or unplugging the power tool. Keep cord away from heat, oil, sharp edges or moving parts.** Damaged or entangled cords increase the risk of electric shock.
- e) **When operating a power tool outdoors, use an extension cord suitable for outdoor use.** Use of a cord suitable for outdoor use reduces the risk of electric shock.
- f) **If operating a power tool in a damp location is unavoidable, use a residual current device (RCD) or ground fault circuit interruptor (GFCI) protected supply.** Use of an RCD or GFCI reduces the risk of electric shock.

5.4 Personal Safety

- a) **Stay alert, watch what you are doing and use common sense when operating a power tool. Do not use a power tool while you are tired or under the influence of drugs, alcohol or medication.** A moment of inattention while operating power tools may result in serious personal injury.
- b) **Use personal protective equipment. Always wear eye protection.** Protective equipment such as dust mask, non-skid safety shoes, hard hat, or hearing protection used for appropriate conditions will reduce personal injuries.

- c) **Prevent unintentional starting. Ensure the switch is in the off-position before connecting to power source and/or battery pack, picking up or carrying the tool.** Carrying power tools with your finger on the switch or energizing power tools that have the switch on invites accidents.
- d) **Remove any adjusting key or wrench before turning the power tool on.** A wrench or a key left attached to a rotating part of the power tool may result in personal injury.
- e) **Do not overreach. Keep proper footing and balance at all times.** This enables better control of the power tool in unexpected situations.
- f) **Dress properly. Do not wear loose clothing or jewellery. Keep your hair and clothing away from moving parts.** Loose clothes, jewellery or long hair can be caught in moving parts.
- g) **If devices are provided for the connection of dust extraction and collection facilities, ensure these are connected and properly used.** Use of dust collection can reduce dust-related hazards.
- h) **Do not let familiarity gained from frequent use of tools allow you to become complacent and ignore tool safety principles.** A careless action can cause severe injury within a fraction of a second.

5.5 Power Tool Use and Care

- a) **Do not force the power tool. Use the correct power tool for your application.** The correct power tool will do the job better and safer at the rate for which it was designed.
- b) **Do not use the power tool if the switch does not turn it on and off.** Any power tool that cannot be controlled with the switch is dangerous and must be repaired.
- c) **Disconnect the plug from the power source and/or remove the battery pack, if detachable, from the power tool before making any adjustments, changing accessories, or storing power tools.** Such preventive safety measures reduce the risk of starting the power tool accidentally.
- d) **Store idle power tools out of the reach of children and do not allow persons unfamiliar with the power tool or these instructions to operate the power tool.** Power tools are dangerous in the hands of untrained users.

- e) **Maintain power tools and accessories. Check for misalignment or binding of moving parts, breakage of parts and any other condition that may affect the power tool's operation. If damaged, have the power tool repaired before use.** Many accidents are caused by poorly maintained power tools.
- f) **Keep cutting tools sharp and clean.** Properly maintained cutting tools with sharp cutting edges are less likely to bind and are easier to control.
- g) **Use the power tool, accessories and tool bits etc. in accordance with these instructions, taking into account the working conditions and the work to be performed.** Use of the power tool for operations different from those intended could result in a hazardous situation.
- h) **Keep handles and grasping surfaces dry, clean and free from oil and grease.** Slippery handles and grasping surfaces do not allow for safe handling and control of the tool in unexpected situations.

5.6 Battery Tool Use and Care

- a) **Recharge only with the charger specified by the manufacturer.** A charger that is suitable for one type of battery pack may create a risk of fire when used with another battery pack.
- b) **Use power tools only with specifically designated battery packs.** Use of any other battery packs may create a risk of injury and fire.
- c) **When battery pack is not in use, keep it away from other metal objects, like paper clips, coins, keys, nails, screws or other small metal objects that can make a connection from one terminal to another.** Shorting the battery terminals together may cause burns or a fire.
- d) **Under abusive conditions, liquid may be ejected from the battery; avoid contact. If contact accidentally occurs, flush with water. If liquid contacts eyes, additionally seek medical help.** Liquid ejected from the battery may cause irritation or burns.

- e) **Do not use a battery pack or tool that is damaged or modified.** Damaged or modified batteries may exhibit unpredictable behaviour resulting in fire/explosion or risk of injury.
- f) **Do not expose a battery pack or tool to fire or excessive temperature.** Exposure to fire or temperatures above 100 °C may cause explosion.
- g) **Follow all charging instructions and do not charge the battery pack or tool outside the temperature range specified in the instructions.** Charging improperly or at temperatures outside the specified range may damage the battery and increase the risk of fire.

5.7 Service

- a) **Have your power tool serviced by a qualified repair person using only identical replacement parts.** This will ensure that the safety of the power tool is maintained.
- b) **Never service damaged battery packs.** Service of battery packs should only be performed by the manufacturer or authorized service provider.

5.8 Hedge Trimmer Safety Warnings

- a) **Keep all parts of the body away from the blade. Do not remove cut material or hold material to be cut when blades are moving.** Blades continue to move after the switch is turned off. A moment of inattention while operating the hedge trimmer may result in serious personal injury.
- b) **Carry the hedge trimmer by the handle with the blade stopped and taking care not to operate any power switch.** Proper carrying of the hedge trimmer will decrease the risk of inadvertent starting and resultant personal injury from the blades.
- c) **When transporting or storing the hedge trimmer, always fit the blade cover.** Proper handling of the hedge trimmer will decrease the risk of personal injury from the blades.

- d) **When clearing jammed material or servicing the unit, make sure all power switches are off and the battery pack is removed or disconnected.** Unexpected actuation of the hedge trimmer while clearing jammed material or servicing may result in serious personal injury.
- e) **Hold the hedge trimmer by insulated gripping surfaces only, because the blade may contact hidden wiring.** Blades contacting a "live" wire may make exposed metal parts of the hedge trimmer "live" and could give the operator an electric shock.
- f) **Keep all power cords and cables away from cutting area.** Power cords or cables may be hidden in hedges or bushes and can be accidentally cut by the blade.
- g) **Do not use the hedge trimmer in bad weather conditions, especially when there is a risk of lightning.** This decreases the risk of being struck by lightning.

5.9 Extended-reach Hedge Trimmer Safety Warnings

- a) **To reduce the risk of electrocution, never use the extended-reach hedge trimmer near any electrical power lines.** Contact with or use near power lines may cause serious injury or electric shock resulting in death.
- b) **Always use two hands when operating the extended-reach hedge trimmer.** Hold the extended-reach hedge trimmer with both hands to avoid loss of control.
- c) **Always use head protection when operating the extended-reach hedge trimmer overhead.** Falling debris can result in serious personal injury.

6 IMPORTANT SAFETY INSTRUCTIONS

6.1 Intended Use

WARNING

- This hedge trimmer is designed for trimming hedges, shrubs and bushes in yards and gardens. Use of the hedge trimmer for operations different than intended could result in serious injury or death.
- Improper use could result in personal injury or property damage, including damage to the hedge trimmer.
 - Use the hedge trimmer and battery only as described in this manual.
 - Never attempt to modify or override the hedge trimmer's controls or safety devices in any way.
 - Never use a hedge trimmer that has been modified or altered from its original design.
 - Be sure to read and follow the warnings and instructions for your battery and charger before charging or starting work.
- This power tool may be powered by a STIHL AP series battery. Alternatively, it may be powered by a STIHL AR series backpack battery in combination with an AP Adapter.

Batteries, chargers and other accessories are sold separately.

6.2 Operator

⚠ WARNING

- Working with the hedge trimmer can be strenuous. The operator must be in good physical condition and mental health. To reduce the risk of personal injury from fatigue and loss of control:
 - Check with your doctor before using the hedge trimmer if you have any health condition that may be aggravated by strenuous work.
 - Do not operate the hedge trimmer while under the influence of any substance (drug, alcohol or medication, etc.) that might impair vision, balance, dexterity or judgment.
 - Be alert. Do not operate the hedge trimmer when you are tired. Take a break if you become tired.
 - Do not permit minors to use the hedge trimmer.
- According to STIHL's current knowledge, the electric motor of this hedge trimmer should not interfere with a pacemaker.
 - However, persons with a pacemaker or other implanted medical device should consult their physician and device manufacturer before operating this hedge trimmer.

6.3 Personal Protective Equipment

⚠ WARNING

- To reduce the risk of personal injury:
 - Always wear proper clothing and protective apparel, including proper eye protection.
- Loss of control and severe cut injuries may result if hair, clothing or apparel make contact with the moving cutting blades or otherwise become entangled in the components of the hedge trimmer. To reduce the risk of severe personal injury:



- Wear sturdy and snug-fitting clothing that also allows complete freedom of movement.
- Wear overalls or long pants made of heavy material to help protect your legs. Do not wear shorts.

- Avoid loose-fitting jackets, scarves, neckties, flared or cuffed pants, jewelry and any other apparel that could be caught on branches, brush or the moving cutting attachment.
- Secure hair above shoulder level before starting work.

- To reduce the risk of eye injury:



- Always wear goggles or close-fitting protective glasses with adequate top and side protection that are impact-rated and marked as complying with ANSI Z87 "+".
- Wear an approved protective helmet when there is a risk of head injury.

- Good footing is very important. To help maintain a secure footing and reduce the risk of injury while working:



- Wear substantial footwear with non-slip soles. Do not wear sandals, flip-flops, open-toed or similar footwear.



- To improve your grip and help protect your hands:



- Always wear heavy-duty non-slip work gloves made of leather or another wear-resistant material when handling the hedge trimmer or its cutting blades.

6.4 Hedge Trimmer

⚠ WARNING

- To reduce the risk of electric shock:
 - Do not immerse the hedge trimmer in water or other fluids.
 - Store the hedge trimmer indoors.
- The cutting blades have many sharp cutters. Making contact with the cutters may result in serious laceration injuries, even if the cutting blades are not moving. To reduce the risk of such injuries:
 - Keep hands, feet and other parts of your body away from the cutting blades.
 - Never hold the material to be cut.
 - Never remove cut material without first releasing the trigger switch and removing the battery.
 - Wear heavy-duty work gloves when handling the hedge trimmer or its cutting blades.
 - Never touch the moving cutting blades with your hand or any other part of your body.
 - Cover the cutting blades with a blade scabbard before transporting or storing the hedge trimmer to reduce the risk of inadvertent contact.
- This battery-powered hedge trimmer is intended only for garden and landscape maintenance. Use for other purposes may increase the risk of personal injury and property damage.
 - Do not attempt to cut any material other than hedges, shrubs, bushes or similar vegetation. Do not cut stems, branches or other vegetation greater than 1.3 in. (33 mm) in diameter.
 - Read and follow the operating instructions in this manual for approved applications,  17.
- To reduce the risk of personal injury to the operator and bystanders:
 - Always release the trigger switch and remove the battery before assembling, transporting, adjusting, inspecting, cleaning, servicing, maintaining or storing the hedge trimmer, and any other time it is not in use.
 - Release the trigger switch and remove the battery before clearing jammed material.
 - Never leave the hedge trimmer unattended when the battery is inserted.
- Although certain unauthorized attachments may fit your STIHL hedge trimmers, their use may be extremely dangerous. Only attachments supplied by STIHL or expressly approved by STIHL for use with this specific model are recommended.
 - Use only attachments supplied or expressly approved by STIHL.
 - Never modify this hedge trimmer in any way.
 - Never attempt to modify or override the hedge trimmer's controls or safety devices in any way.
 - Never use a hedge trimmer that has been modified or altered from its original design.
- If the hedge trimmer is dropped or subjected to similar heavy impacts:
 - Check that it is undamaged, in good condition and functioning properly before continuing work.
 - Check that the controls and safety devices are working properly.
 - Check the LEDs for error messages,  11.
 - Check that the battery has not been damaged. Never use or charge a malfunctioning, damaged, cracked, leaking or deformed battery.
 - Never work with a damaged or malfunctioning battery or hedge trimmer. In case of doubt, have the hedge trimmer and battery checked by your authorized STIHL servicing dealer.



- If the hedge trimmer or battery is damaged, not working properly, has been left outdoors or dropped into water or other liquid, its components may no longer function properly and safety devices may be inoperative. To reduce the risk of personal injury and property damage:
 - Take the hedge trimmer and battery to your authorized STIHL servicing dealer to be checked before further operation.
- Genuine STIHL replacement parts are specifically designed to match your hedge trimmer and meet safety and performance requirements. Use of parts that are not authorized or approved by STIHL may cause serious or fatal injury or property damage.
 - STIHL recommends that only identical STIHL replacement parts be used.


6.5 Using the Hedge Trimmer

6.5.1 Before Operation

▲ WARNING


- Misuse or unauthorized use may result in personal injury and property damage.
 - Use the hedge trimmer only as described in this instruction manual.
- Using a hedge trimmer that is modified, damaged, improperly adjusted or maintained, or not completely and securely assembled can lead to a malfunction and increase the risk of serious personal injury or death.
 - Never operate a hedge trimmer that is modified, damaged, improperly maintained or not completely and securely assembled.
 - Always check your hedge trimmer for proper condition and operation before starting work, particularly the retaining latch, trigger switch, and cutting blades.
 - Ensure that the retaining latch and trigger switch move freely and spring back into place when released. The trigger switch must not engage until the retaining latch is unlocked.

- Never attempt to modify or override the controls or safety devices in any way.
- The cutting blades must move only when the battery is inserted, the retaining latch is unlocked and the trigger switch is depressed.
- If your hedge trimmer or any part is damaged or does not function properly, take it to your authorized STIHL servicing dealer. Do not use the hedge trimmer until the problem has been corrected.

- Before inserting the battery:
 - Check the contacts in the battery compartment for corrosion or other foreign matter. Keep clean.
 - Never insert or use a malfunctioning, damaged, cracked, leaking or deformed battery.
 - Read and follow the instructions on switching on the hedge trimmer,  15.1.
- To help reduce the risk of serious personal injury or death from unintentional starting:
 - Be sure the retaining latch is in the locked position and the trigger switch is in the off position before inserting the battery.
 - Never carry the hedge trimmer with your finger on the trigger switch.
 - Release the trigger switch before removing the battery.



- Remove the battery before assembling, transporting, adjusting, inspecting, cleaning, servicing, maintaining or storing the hedge trimmer, and any other time it is not in use.
- Never leave the hedge trimmer unattended when the battery is inserted.
- Never store the battery in the hedge trimmer.

- Before switching on your hedge trimmer, take the following steps to reduce the risk of personal injury, loss of control or inadvertent contact with the cutting attachment:
 - Be sure that the cutting blades are clear of you and all other obstructions and objects, including the ground.
 - Never switch on the hedge trimmer with material between the cutting blades.
 - Read and follow the instructions on switching on the hedge trimmer,  15.1.

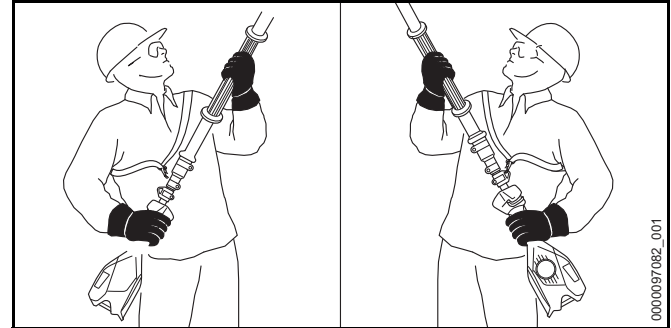
6.5.2 Holding and Controlling the Hedge Trimmer

DANGER

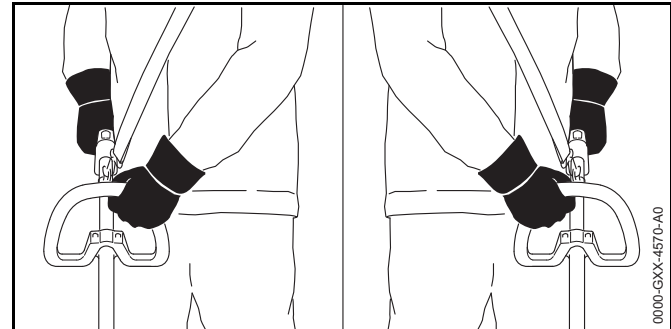
- To reduce the risk of serious or fatal cut injuries to the operator or bystanders from blade contact:
 - Keep hands, feet and other body parts away from the cutting blades.



HLA 135 / HLA 135 K



HLA 135



WARNING

- To maintain a firm grip and properly control your hedge trimmer:
 - Keep the handles clean and dry at all times. Keep them free of moisture, pitch, oil, grease and resin.
- To reduce the risk of serious or fatal injuries to the operator or bystanders from loss of control:
 - Always hold the hedge trimmer firmly with both hands on the defined gripping surfaces during work.
 - Wrap your fingers tightly around the handles, keeping the handles cradled between your thumb and forefinger (see illustrations).
 - Position the hedge trimmer in such a way that all parts of your body are clear of the cutting attachment whenever the battery is inserted.

- Never use the blade adjustment grip while cutting.

- Operating the hedge trimmer with one hand may lead to loss of control and is therefore extremely dangerous. To reduce the risk of serious or fatal injury to the operator or bystanders from loss of control:



- Never attempt to operate the hedge trimmer with one hand.
- Never hold the material to be cut. Never remove cut material without first releasing the trigger switch and removing the battery.
- Release the trigger switch and remove the battery before clearing jammed material.

- To reduce the risk of serious or fatal cut injuries to the operator or bystanders from loss of control, keep proper footing and balance at all times:

- Never work on a ladder, roof, in a tree or while standing on any other insecure support.
 - Take special care in overgrown or wet terrain and always watch for hidden obstacles such as tree stumps, roots, rocks, holes and ditches to avoid stumbling or falling.
 - Be extremely cautious when working on slopes or uneven ground.
 - For better footing, always clear away fallen branches, scrub, cuttings and other material, objects or vegetation that can increase the danger of slipping, tripping or falling.
 - Do not overreach. Keep proper footing and balance at all times.
- Working above shoulder height can be tiring. To reduce the risk of injury from fatigue:
 - Never hold the machine with your rear hand on the control handle above shoulder height.
 - Set the adjustable cutter blades to the most suitable angle so that the unit can be held at a lower, less tiring position while providing adequate reach.

- Take frequent breaks.

- To reduce the risk of serious or fatal cut injuries to the operator or bystanders from blade contact:



- Keep hands, feet and other body parts away from the cutting blades.

- Do not touch the cutting blades while the battery is inserted.
- Never touch moving cutting blades with your hand or any other part of your body.



- If the cutting blades become jammed by thick branches or other obstructions, release the trigger switch immediately and remove the battery before attempting to free the blades.

6.5.3 Working Conditions

⚠ WARNING

- Operate your hedge trimmer only under good visibility during favorable daylight conditions.
 - Postpone the work if the weather is windy, foggy, rainy or inclement.
- Your hedge trimmer is a one-person machine.
 - Bystanders, especially children, and animals should not be allowed in the area where it is in use.
 - Switch off the hedge trimmer immediately if you are approached.
- To reduce the risk of injury to bystanders and unauthorized users:
 - Never leave the hedge trimmer unattended when the battery is inserted.
 - Switch off the hedge trimmer and remove the battery during work breaks and any other time the hedge trimmer is not in use.

- Sparks generated from operation of the hedge trimmer may be capable of igniting combustible gases, liquids, vapors, dusts or other combustible materials and substances. To reduce the risk of fire and explosion:
 - Never operate the hedge trimmer in a location where combustible gases, liquids, vapors, dusts or other combustible materials and substances are present.
 - Read and follow recommendations issued by government authorities (e.g., OSHA) for identifying and avoiding the hazards of combustible gases, liquids, vapors, dusts or other combustible materials and substances.
- Use of this hedge trimmer (including sharpening the cutting blades) can generate dust and other substances containing chemicals known to cause respiratory problems, cancer, birth defects and other reproductive harm.
 - Consult governmental agencies such as EPA, OSHA, CARB and NIOSH and other authoritative sources on hazardous materials if you are unfamiliar with the risks associated with the particular substances you are cutting or with which you are working.
- Inhalation of certain dusts, especially organic dusts such as mold or pollen, can cause susceptible persons to have an allergic or asthmatic reaction. Substantial or repeated inhalation of dust or other airborne contaminants, especially those with a smaller particle size, may cause respiratory or other illnesses.
 - Control dust at the source where possible.
 - Always work with properly sharpened cutting blades.
 - To the extent possible, operate the hedge trimmer so that the wind or operating process directs any dust, mist or other particulate matter raised by the hedge trimmer away from the operator.
 - When respirable dust or other particulate matter cannot be kept at or near background levels, always wear a respirator that is approved by NIOSH and rated for worksite-specific conditions. Follow the

recommendations of governmental authorities (e.g., OSHA/NIOSH) and occupational and trade associations.

- If the vegetation being cut or the surrounding ground is coated with a chemical substance, such as pesticide or herbicide:
 - Read and follow the instructions and warnings that accompanied the substance coating the vegetation or surrounding ground.

6.5.4 Operating Instructions

WARNING

- To reduce the risk of serious or fatal cut injuries to the operator or bystanders from blade contact:

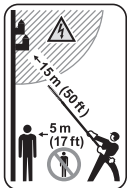


- Keep hands, feet and other body parts away from the cutting blades.
 - Do not touch the cutting blades while the battery is inserted.
 - Never touch moving cutting blades with your hand or any other part of your body.
 - Never hold the material to be cut. Never remove cut material without first releasing the trigger switch and removing the battery.
 - Release the trigger switch and remove the battery before clearing jammed material.
- To reduce the risk of severe personal injuries from unintentional starting:
 - Never touch the cutting blades with your hand or any other part of your body when the battery is inserted, even when the cutting blades are not moving.



- If the cutting blades become jammed by branches or other obstructions, switch off the hedge trimmer immediately and remove the battery before attempting to free the blades.

- The cutting blades continue to move for a short period after the trigger switch is fully released.
 - Wait for the cutting blades to stop before walking with the hedge trimmer or putting it down.
- In the event of an emergency:
 - Switch off the motor immediately and remove the battery.
- Contacting foreign objects while cutting could damage the cutting blades and may cause them to crack, chip, break or jam. To reduce the risk of severe personal injury or death from loss of control, and to reduce the risk of damage to the hedge trimmer:
 - Inspect the material to be cut and the surrounding area for stones, fence wire, metal or other foreign objects before starting work. Do not use the hedge trimmer in areas where the cutting blades could contact such objects.
 - Take particular care when cutting next to, against or near wire fences. Do not touch the wire with the cutting blades.
 - When working close to the ground, make sure that no sand, grit or stones get between the cutting blades.
 - Do not cut any areas of the hedge, bush, shrub or other vegetation that you cannot see.
- The power tool has a large range. To reduce the risk of personal or even fatal injury to bystanders from falling objects or inadvertent contact with the moving cutting blades of your power tool:
 - Always keep bystanders at least 17 ft. (5 m) away when the power tool is in use.
- If cutting the top of a taller hedge, check the other side of the hedge frequently for bystanders, animals and obstructions.
- Check the cutting blades at regular short intervals during operation, or immediately if there is a change in cutting behavior:
 - Switch off the hedge trimmer and remove the battery.
 - Check the condition, tightness and sharpness of the cutting blades.
 - Inspect the hedge trimmer for loose parts (nuts, screws, etc.) and for cracked, bent, warped or damaged cutting blades. Replace damaged cutting blades before using the hedge trimmer.
 - Always keep the cutting blades sharp.
- To reduce blade friction and the buildup of dirt, which can interfere with the proper functioning of the hedge trimmer:
 - STIHL recommends that you spray the cutting blades with a resin solvent, such as STIHL Resin Remover and Lubricant, before starting work.



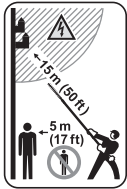
- Do not allow other persons in the general work area.

⚠ DANGER

- Electricity can jump from one point to another by means of arcing. Higher voltage increases the distance electricity can arc. Electricity can also move through branches, especially if they are wet. To reduce the risk of electrocution:



- Never operate this hedge trimmer in the vicinity of any wires or cables that may be carrying electric current. Look carefully for concealed wires before starting work.
- Never cut near power lines.
- Do not rely on the hedge trimmer's insulation against electric shock. Hold the power tool by insulated gripping surfaces only, because the cutting blades may contact hidden wiring.



- Maintain a clearance of at least 50 ft. (15 m) between the hedge trimmer (including any branches it is contacting) and any electrical line carrying live current.
- Before working with less clearance, contact your electric utility and make sure the current is turned off.

7 Battery Safety

7.1 Warnings and Instructions

⚠ WARNING

- Read and follow the safety precautions on the battery and all warnings and instructions that accompany it.
- Use of unauthorized batteries can damage the power tool and result in fire, explosion and personal injury and property damage.
 - Use only genuine STIHL AR or AP series batteries with this power tool.
- Use of STIHL AR or AP series batteries for any purpose other than powering STIHL products could be extremely dangerous.
 - Use STIHL AR and AP series batteries only to power compatible STIHL products.
- Use of unauthorized chargers can damage the battery and result in fire, explosion and personal injury and property damage.
 - Charge STIHL AP series batteries only with genuine STIHL AL 101, AL 300 or AL 500 series chargers.
 - Charge STIHL AR series backpack batteries only with genuine STIHL AL 300 or AL 500 series chargers.

- The battery contains safety features and devices which, if damaged, may allow the battery to generate heat, rupture, leak, ignite or explode.



- Never heat the battery above 212 °F (100 °C).
- Never incinerate or place the battery on or near fires, stoves or other high-temperature locations.
- Never use or charge a malfunctioning, damaged, cracked, leaking or deformed battery.
- Never open, disassemble, crush, drop, subject to heavy impact or otherwise damage the battery.
- Never expose the battery to microwaves or high pressures.
- Never insert objects into the battery's cooling slots.

- Extreme temperatures may cause the battery to generate heat, rupture, leak, ignite or explode, resulting in severe or fatal personal injury and property damage. Exposure to temperatures outside the recommended temperature range may also reduce battery life and performance.



- Use and store the battery only within an ambient temperature range of 14 °F to 122 °F (-10 °C to 50 °C).
- Never store the battery in direct sunlight or inside a vehicle in hot weather.
- To reduce the risk of personal injury and property damage in the event the battery emits smoke, an unusual smell or feels unusually hot while using, charging or storing:
 - Immediately discontinue using or charging the battery. Contact the authorities in the event of fire or explosion.
- To reduce the risk of a short circuit, which could lead to electric shock, fire and explosion:



- Keep STIHL AR 900, 1000, 2000, 3000 backpack batteries dry. Protect from rain, water and other liquids. Attach the rain cover to a STIHL AR 1000, 2000, 3000 battery before starting work in rain or in very damp conditions.



- If a STIHL AP or AR L battery has been exposed to rain during work, remove it from the product and allow it to dry indoors. Make sure it is completely dry before charging or using.
- Never immerse any STIHL battery in water or other liquids.
- Never bridge the battery terminals with wires or other metallic objects.
- Keep a battery that is not in use away from metal objects (e.g., paper clips, nails, coins, keys).
- Never transport or store the battery in a metal container.
- Store the battery indoors in a dry room.
- Never store the battery in damp or corrosive environments or in conditions that could lead to corrosion of its metal components.
- Protect the battery from exposure to corrosive agents such as garden chemicals and de-icing salts.
- Protect the battery from exposure to conductive liquids such as salt water.
- Do not attempt to repair, open or disassemble the battery. There are no user-serviceable parts inside.
- Leaking battery fluid is potentially harmful and can cause skin and eye irritation, chemical burns and other serious personal injury.
 - Avoid contact with skin and eyes.
 - Use an inert absorbent such as sand on spilled battery fluid.
 - In the event of accidental contact, immediately rinse the contact area thoroughly with mild soap and water.
 - If fluid gets into your eye(s): do not rub. Rinse water over the open eye(s) for at least 15 minutes and seek medical attention.

- A battery fire can be dangerous. To reduce the risk of severe personal injury and property damage in the event of fire:
 - Evacuate the area. Fire can spread rapidly. Stay clear of any vapors generated and maintain a safe distance.
 - Contact the fire department.
 - Although water can be used to put out a battery fire, use of a multi-purpose dry chemical fire extinguisher is preferable.
 - Consult the fire department regarding proper disposal of a burned battery.

8 Maintenance, Repair and Storage

8.1 Warnings and Instructions

WARNING

- There are no user-authorized repairs for the hedge trimmer, battery or charger. To reduce the risk of fire, electric shock or other personal injury and property damage:
 - Users may carry out only the cleaning and maintenance operations described in this manual.
 - Strictly follow the cleaning and maintenance instructions in the appropriate sections of this instruction manual.
 - STIHL recommends that all repair work be performed by authorized STIHL servicing dealers.
- Unintentional starting may result in personal injury or property damage. To reduce the risk of personal injury and property damage from unintentional starting:



- Remove the battery before inspecting the hedge trimmer or carrying out any cleaning, maintenance or repair work, before storing, and any other time the hedge trimmer is not in use.

- The cutting blades are the only user-serviceable parts of the hedge trimmer. Proper maintenance will help maintain cutting performance and reduce the risk of personal injury.
 - Wear heavy-duty non-slip work gloves when handling the cutting blades.
 - Keep the cutting blades clean and sharp.
 - Tighten all nuts, bolts and screws after each use.
 - Never repair damaged cutting blades by welding, straightening or modifying the shape. This may cause parts of the cutting blades to experience uneven or excessive wear or other damage that can lead to a malfunction or breakage during operation, resulting in serious or fatal injuries.
- Use of parts that are not authorized or approved by STIHL may cause serious or fatal injury or property damage.
 - STIHL recommends that only identical STIHL replacement parts be used for repair or maintenance.
- To reduce the risk of short circuit and fire:
 - Keep the battery guides free of foreign matter. Clean as necessary with a dry cloth or soft, dry brush.
- The gearbox becomes hot during operation. To reduce the risk of burn injury:



- Allow the gearbox to cool before inspecting or lubricating and before changing a cutting attachment. Avoid contacting the gearbox while it is still hot following operation.
- Improper storage can result in unauthorized use, damage to the hedge trimmer and battery and charger, and an increased risk of fire, electric shock and other personal injury or property damage.
 - Remove the battery from the hedge trimmer before storing.
 - Never store the hedge trimmer or charger with the battery inserted.
 - Store the hedge trimmer and battery and charger indoors in a dry, secure place that cannot be accessed by children or other unauthorized users.

- Never store the battery in the hedge trimmer, in the charger, in a metal container or in a container with metal objects (e.g., paper clips, nails, coins, keys).
- To reduce the risk of electric shock and other personal injury or property damage when mounting the charger and wall bracket:
 - Ensure that no electrical cables, pipes or other service lines run behind the wall where the charger and wall bracket is to be mounted.
 - Mount the charger and wall bracket only as described in this manual.

9 Before Starting Work

9.1 Preparing the Hedge Trimmer for Operation

Before starting work:

- ▶ Fully charge the battery, 10.2.
- ▶ Assemble the hedge trimmer, 13.
- ▶ Mount the loop handle (HLA 135 only), 13.2.
- ▶ Adjust the angle of the cutting blades, 17.1.
- ▶ Put on and adjust the harness, 17.2.
- ▶ Check the controls for proper function and condition, 16.1.
- ▶ Check the cutting attachment for damage or other problems.

10 Charging the Battery

10.1 Setting up the Charger

WARNING

Read and follow the safety precautions on the battery and charger and all warnings and instructions that accompany those products. To reduce the risk of short circuit, which

could lead to electric shock, fire and explosion, make sure the charger and its components are dry and not damaged; operate the charger indoors at an appropriate ambient temperature.

⚠ WARNING

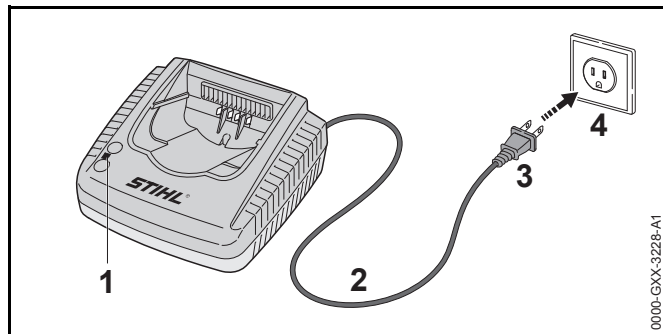
A typical household electric circuit is between 15 and 20 amps. A single STIHL AL 500 charger draws approximately 4.8 amps. A single AL 300 charger draws approximately 4.4 amps. To reduce the risk of fire from overloading an electrical circuit:

- ▶ Ensure the electrical system is rated to withstand the expected electrical draw before charging your battery.
- ▶ Charge multiple batteries one at a time or on separate circuits, unless you know your circuit can handle the total expected draw from multiple chargers.

⚠ WARNING

Since the charger heats up during the charging process, do not operate the charger on a combustible surface or in a location where combustible gases, liquids, vapors, dusts or other materials and substances are present.

To set up the charger:



- ▶ Insert the plug (3) into a properly installed electrical outlet (4) matching the voltage and electrical frequency stated on the rating plate on the charger.

The charger runs a self-test immediately after it is plugged in. The charger LED (1) will glow green for about 1 second, then it will glow red briefly before going out. Once the LED goes out, the self-test is complete and the charger is ready to charge the battery.

- ▶ Position the power supply cord (2) so that it will not be stepped on, tripped over, come in contact with sharp objects or moving parts or otherwise be subjected to damage or stress.

10.2 Charging

⚠ WARNING

STIHL batteries contain safety features and devices which, if damaged, may allow the battery to generate heat, rupture, leak, ignite or explode. Never charge a malfunctioning, damaged, cracked, leaking or deformed battery, or use a charger that has been damaged. Never insert a wet battery or battery adapter. Never use a wet charger. Follow all product-specific warnings and instructions accompanying your battery and charger.

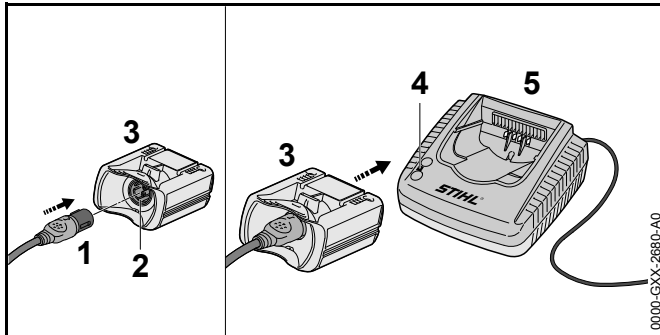
A battery is not fully charged when it ships from the factory. STIHL recommends that you fully charge the battery before using it the first time.

Operate the charger only indoors, in dry rooms and within an ambient temperature range of 41 °F to 104 °F (5 °C to 40 °C).

The battery heats up during operation of the power tool. If a hot battery is connected to the charger, it may be necessary for it to cool down before charging starts. The charging process begins only after the battery has cooled down sufficiently.

Charging time depends on a number of factors, including battery condition and the ambient temperature. For a complete list of approximate charging times, see www.stihl.com/charging-times.

To charge an AR battery:



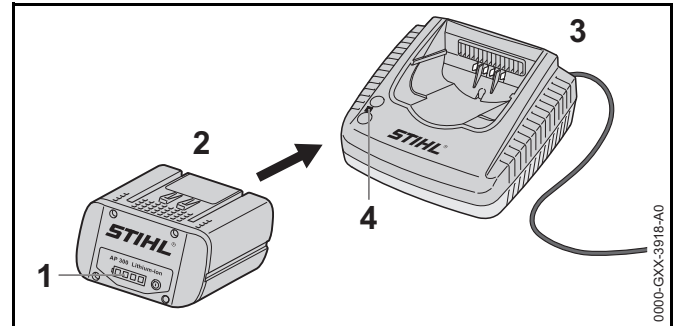
- ▶ Push the plug of the connecting cord (1) into the socket (2) of the AP Adapter (3) until it stops.
- ▶ Push the AP Adapter into the charger (5) until it stops. The LED on the **charger** (4) glows green when the battery is charging.

The LEDs on the **AR battery** glow green and show the state of charge.

When the LEDs on the battery turn off, the charging process is complete and the charger will shut itself off. The AP Adapter can be removed from the charger.

- ▶ Disconnect the power supply cord from the electrical outlet when the charger is not in use for extended periods of time.
- ▶ Charge STIHL AR backpack batteries only with genuine STIHL AL 300 or AL 500 series chargers.

To charge an AP battery:



- ▶ Push the battery (2) into the charger (3) until it stops. The LED on the **charger** glows green when the battery is charging.

The LEDs (1) on the **AP battery** glow green and show the state of charge.

When the LEDs on the battery go out, the charging process is complete and the charger will shut itself off. The AP battery can be removed from the charger.

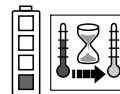
- ▶ Disconnect the power supply cord from the electrical outlet when the charger is not in use.
- ▶ Charge STIHL AP series batteries only with genuine STIHL AL 101, AL 300 or AL 500 series chargers.

11 LED Diagnostics and Acoustic Signals

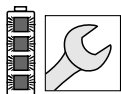
11.1 STIHL AP Battery

11.1.1 Battery Status

Four LEDs show the status of the battery. These LEDs can glow or flash green or red.



If one LED glows red continuously: the battery is either too hot or too cold. Allow the battery to warm up or cool down gradually at an ambient temperature of about 50 °F to 68 °F (10 °C to 20 °C).



If all 4 LEDs flash red: the battery has a malfunction and must be replaced. Do not attempt to charge, use or store the battery.

11.1.2 Power Tool Status

The same LEDs on the battery will indicate the status of the power tool.

If three LEDs glow red continuously: the power tool motor is too hot. Allow the motor to cool down.

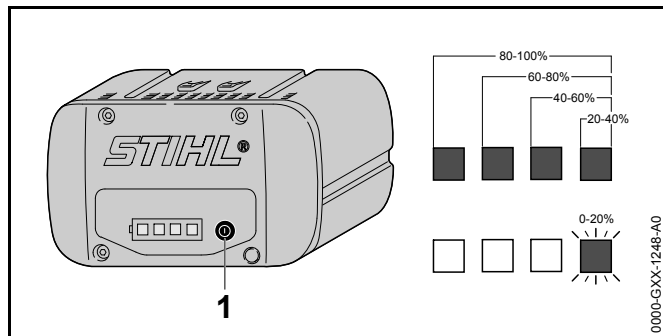
If three LEDs flash red when you activate the trigger switch: the power tool has an electrical malfunction. Do not operate the power tool. Have it checked by an authorized STIHL servicing dealer before use or storage.

For troubleshooting information, 23.

11.1.3 Charge Status

The LEDs on the battery also show the battery's state of charge.

To determine the battery's state of charge:



- Press the button (1) on the battery. The LEDs on the battery will glow or flash green for about 5 seconds and indicate the state of charge (see illustration).

For example:

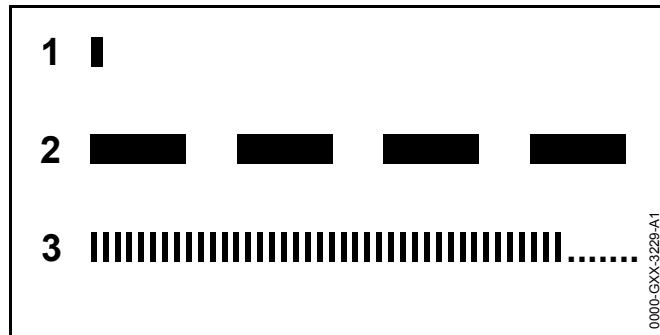
If four green LEDs glow continuously: full charge.

If one green LED is flashing: less than 20 % charge.

11.2 STIHL AR Backpack Battery

11.2.1 Battery Status

Six LEDs and an acoustic signal indicate the status of the battery.



1 A short beep

The acoustic signal works as it should.

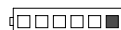
2 Four or six (AR L) long beeps

The battery's charge is low. Recharge the battery.

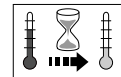
3 Rapid succession of short beeps

There is a malfunction in the battery. The signal stops automatically after a few seconds. Do not attempt to charge, use or store the battery. Replace the battery.

These LEDs can glow or flash green or red.



If one LED glows red continuously: the battery is either too hot or too cold. Allow the battery to warm up or cool down gradually at an ambient temperature of about 50 °F to 68 °F (10 °C to 20 °C).



If the four right side LEDs flash red and a rapid succession of several short beeps is emitted: the battery has a malfunction and must be replaced. Do not attempt to charge, use or store the battery.




- Be aware that your ability to hear the acoustic signal may be reduced when wearing hearing protection.

11.2.2 Power Tool Status

When the battery is connected to the power tool, the same LEDs on the battery will indicate the status of the power tool.

If three LEDs glow red continuously: the power tool motor is too hot. Allow the motor to cool down.

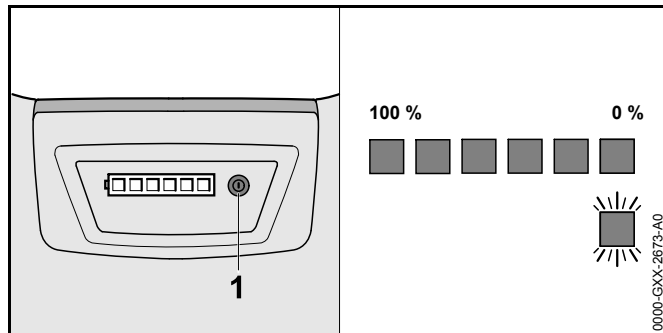
If three LEDs flash red when you activate the trigger switch: the power tool has an electrical malfunction. Do not operate the power tool. Have it checked by an authorized STIHL servicing dealer before use or storage.

For troubleshooting information,  23.

11.2.3 Charge Status

The LEDs and acoustic signals on the battery also indicate the battery's state of charge.

To determine the battery's state of charge:



► Press the button (1) on the backpack battery.

A single short beep will be emitted. The LEDs on the battery will glow or flash green for about 5 seconds and indicate the state of charge (see illustration).

For example:

If six green LEDs glow continuously: full charge.

If one green LED is flashing and four long beeps are emitted: less than 20 % charge.

12 STIHL AR Backpack Battery

12.1 Positioning the Connecting Cord

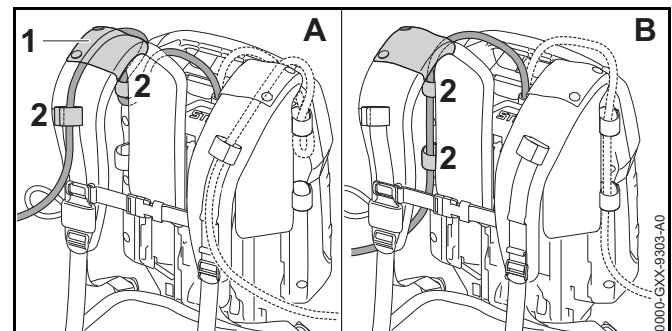
WARNING

To reduce the risk of injury from tripping on the connecting cord or losing control of the power tool, always secure the connecting cord with the hook and eye fasteners as described below. Always position and secure the connecting cord so that it will not interfere with the proper working technique as described in the instruction manual for the power tool you are using, or your ability to maintain control of the power tool.

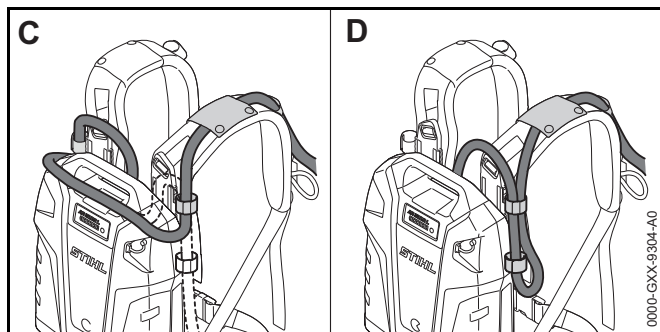
WARNING

Manage the cord to prevent it from contacting the cutting/working attachment or catching on objects, which could cause you to lose balance or control of the power tool, resulting in serious personal injury and property damage.

The connecting cord can be secured in different positions and adjusted to suit the height and reach of the operator.



The connecting cord can run through the guide (1) on the shoulder strap (Illustration A), or along the back plate (Illustration B). Secure the connecting cord to the harness with the hook and eye fasteners (2). Always secure the connecting cord using the guide or hook and eye fasteners on the side of the body on which the power tool is held and controlled. Do not allow the connecting cord to swing across your body or hang at your side.



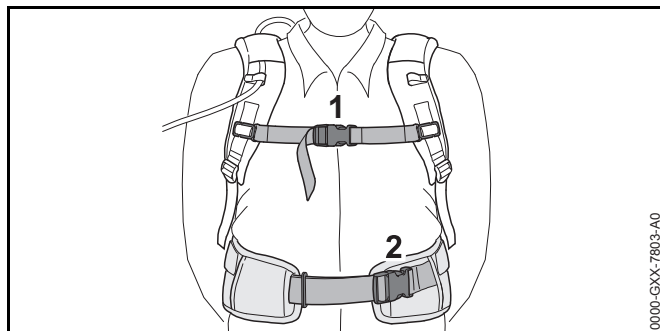
The length of the connecting cord can be adjusted by making a loop around the top (Illustration C) or on the side (Illustration D) of the backpack battery with the hook and eye fasteners.

12.2 Putting on the Harness

! WARNING

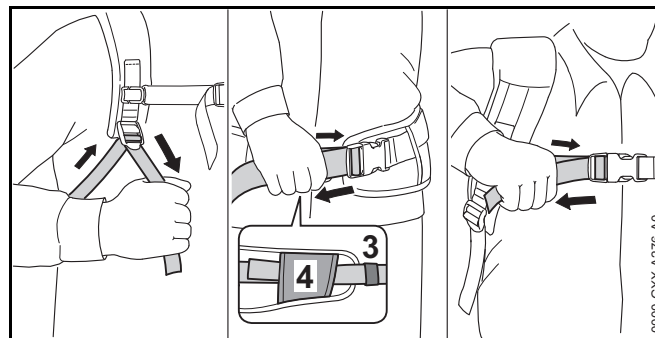
The operator must be able to remove the backpack battery quickly in the event of an emergency. In an emergency, open and remove the waist belt and chest strap quickly before dropping the battery to the ground.

To ensure a proper fit:



- ▶ Put the backpack battery on your back.
- ▶ Fasten and adjust the waist belt (2) so that it rests comfortably but securely on your hips.

- ▶ Fasten the chest strap (1) and adjust it so that it fits comfortably but securely across your chest.



- ▶ Adjust the harness straps so that the back padding fits snugly and securely against your back.
- ▶ Always wear the battery harness over both shoulders.
- ▶ Thread the end of the waist belt through the loops (3) and (4).
- ▶ To remove the harness, open the quick-release fasteners on the waist belt and chest strap and loosen the harness straps by lifting the sliding adjusters.

To help reduce the risk of injury in the event of an emergency, practice quickly opening the fasteners on the waist belt and chest strap, loosening the shoulder straps and removing the battery.

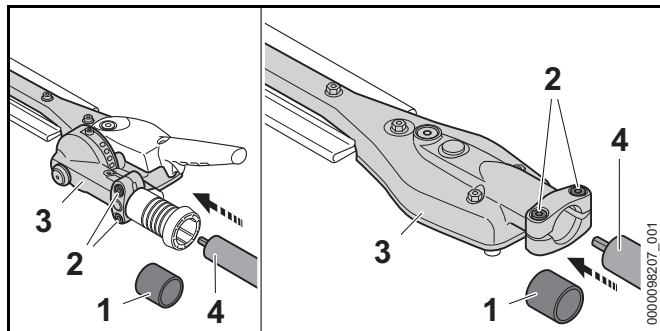
NOTICE

To avoid damage, ease the battery to the ground when practicing. Do not allow the battery to drop to the ground and do not throw it.

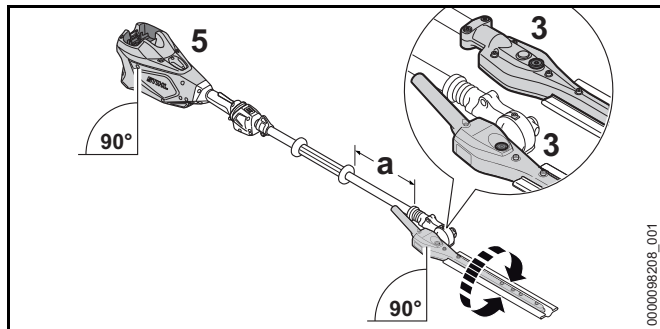
13 Assembling the Hedge Trimmer

13.1 Mounting the Gearbox

- ▶ Switch off the hedge trimmer, 15.2.
- ▶ Remove the battery, 14.2.



- ▶ Remove the cap (1) from the round end of the drive tube (4).
- ▶ Loosen the screws (2).
- ▶ Push the gearbox (3) securely onto the drive tube (4).



- ▶ Align the motor housing (5) and gearbox (3) as shown. Make sure the battery opening and screw plug on the top of the cutting attachment are facing up.
- ▶ Before tightening any screws, confirm the following dimensions:
 - HLA 135 with an adjustable cutting attachment:
a = about 21 in. (53 cm)
 - HLA 135 K with an adjustable cutting attachment:
a = about 15 in. (38 cm)
 - HLA 135 K with a non-adjustable cutting attachment:
a = about 13.4 in. (34 cm)
- ▶ Tighten the screws (2).

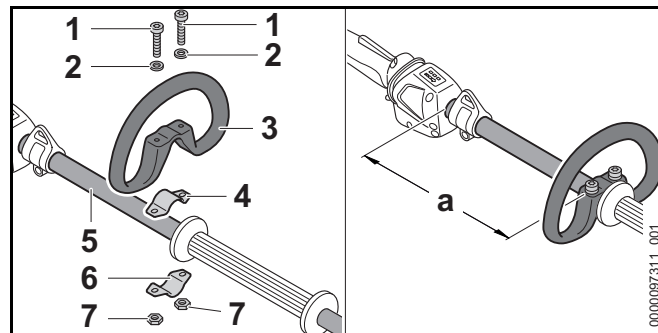
13.2 Mounting the Loop Handle (HLA 135 only)

⚠ WARNING

To reduce the risk of injury from loss of control, ensure that the loop handle is properly mounted and adjusted before starting work.

To mount the loop handle:

- ▶ Switch off the hedge trimmer, 📖 15.2.
- ▶ Remove the battery, 📖 14.2.


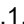


- ▶ Position one clamp (4) in the loop handle (3).
- ▶ Position the other clamp (6) against the underside of the drive tube (5) and line up the holes in the loop handle and clamps.
- ▶ Put washers (2) on the screws (1) and insert the screws through the holes in the loop handle and clamps.
- ▶ Slide the loop handle along the drive tube until a = 8 in. (20 cm).
- ▶ Attach the square nuts (7) and tighten securely. Ensure that the handle is tight and will not move during operation.


14 Inserting and Removing the Battery

14.1 Inserting the Battery

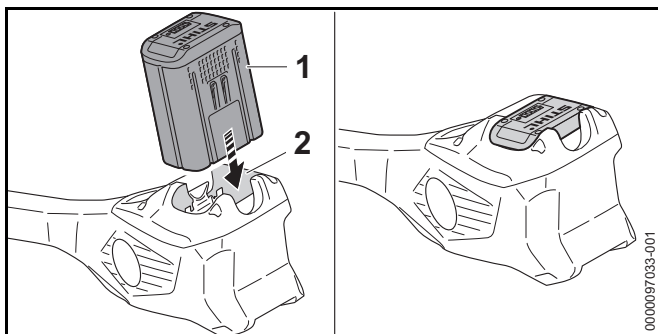
⚠ WARNING

Never use a malfunctioning, damaged, cracked, leaking or deformed battery,  7.1. Use and store the battery only within an ambient temperature range of 14 °F to 122 °F (- 10 °C to 50 °C),  7.1.


⚠ WARNING

To reduce the risk of unintended activation, never store the battery in the hedge trimmer,  20.2.

To insert the battery:



- ▶ Place the hedge trimmer on a level surface.
- ▶ Insert the battery (1) into the battery compartment (2) until it stops.
The battery is properly inserted when you hear an audible click and the battery is flush with the top of the housing. In this position, there is electrical contact between the battery and the hedge trimmer.

Since a new battery is not fully charged, STIHL recommends that you fully charge the battery before using it the first time,  10.2.

14.2 Removing the Battery

⚠ WARNING

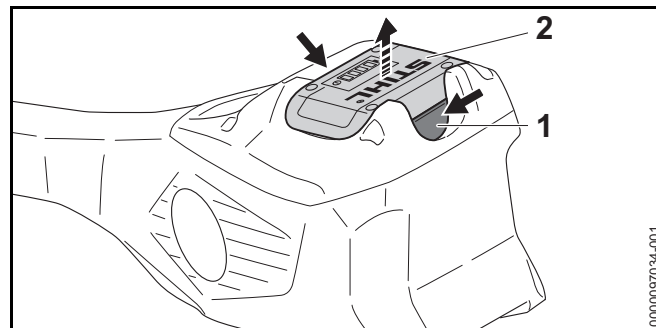
To reduce the risk of severe personal injury from unintended activation, always remove the battery before assembling, transporting, adjusting, cleaning, servicing, maintaining or storing the hedge trimmer, and any other time it is not in use.

⚠ WARNING

Use care when ejecting the battery to prevent it from falling and causing personal injury or property damage.

To remove the battery:

- ▶ Release the trigger switch.
- ▶ Place the hedge trimmer on a level surface.
- ▶ Position your hand behind the battery.



- ▶ Compress the locking levers (1) to eject the battery (2) from the battery compartment.



NOTICE

Avoid exposing the battery to excessive heat or prolonged periods of direct sunlight. Use or storage outside the recommended ambient temperature range can reduce the performance and/or service life of the battery.

15 Switching the Hedge Trimmer On and Off

15.1 Switching On

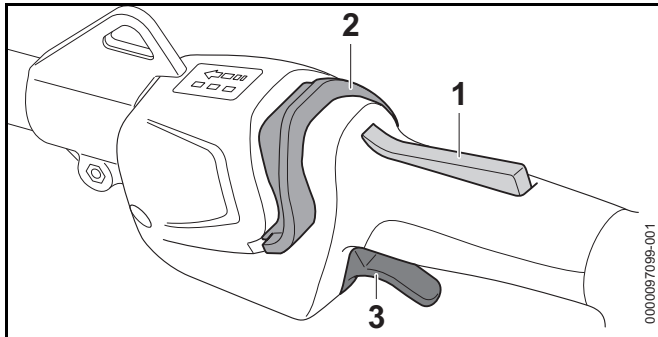
⚠ WARNING

Never operate your hedge trimmer if it is modified, damaged, improperly adjusted or maintained, not completely and securely assembled or not functioning properly,  6.4. To reduce the risk of personal injury, always wear proper clothing and protective apparel, including proper eye protection, when operating your hedge trimmer,  6.3.

Before switching on:

- ▶ Make sure you have a secure and firm footing.
- ▶ Stand upright.
- ▶ Always hold and operate the hedge trimmer with one hand firmly on the control handle and the other hand firmly on the loop handle or front handle.

To switch the hedge trimmer on:



- ▶ Depress and hold the trigger switch lockout (1).
- ▶ While holding the trigger switch lockout, push the retaining latch (2) forward with your thumb and release it. The LEDs indicate the current power level.
- ▶ Squeeze the trigger switch (3) with your index finger. The cutting blades will start moving.

The motor will not switch on unless the trigger switch lockout is depressed, the retaining latch has been pushed forward and the trigger switch has been pressed.

If the trigger switch and the trigger switch lockout are released, the LEDs will remain flashing for approximately 1 second. As long as the LEDs are flashing, the hedge trimmer can again be switched on without pushing the retaining latch forward.

15.2 Switching Off

⚠ WARNING

To reduce the risk of personal injury from unintended activation or unauthorized use, switch off the motor and remove the battery before transporting or putting the hedge trimmer down.

To switch the hedge trimmer off:

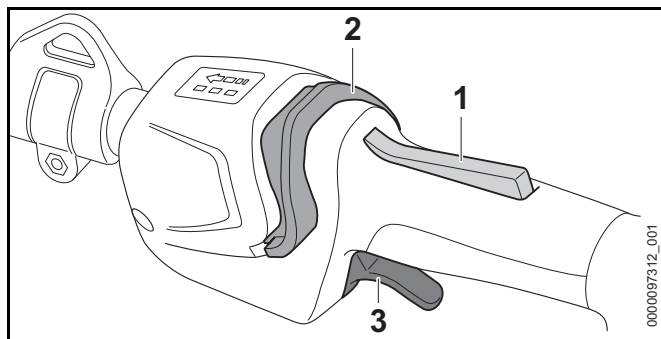
- ▶ Release the trigger switch and trigger switch lockout so that the trigger switch springs back to the locked position. In the locked position, activation of the trigger switch is blocked by the trigger switch lockout. Activation of the hedge trimmer is also electronically blocked by the retaining latch once the LEDs stop flashing.

The cutting blades will continue to move for a short time after the trigger switch is released. Take care to avoid contact after releasing the trigger switch and when setting down the hedge trimmer.

16 Checking the Controls

16.1 Testing the Controls

Before starting work, confirm that the trigger switch lockout (1), retaining latch (2) and trigger switch (3) are undamaged and functioning properly.



Trigger Switch Lockout (1), Retaining Latch (2) and Trigger Switch (3)

⚠ WARNING

To reduce the risk of serious or fatal injuries, keep hands, feet and other parts of the body away from the cutting blades. Do not touch the cutting blades while the battery is inserted. Never touch moving cutting blades with your hand or any part of your body, 6.5.2. Keep bystanders at least 17 ft. (5 m) out of the area while testing the controls.

To test the controls:

- ▶ Remove the battery.
- ▶ Attempt to depress the trigger switch.
If the trigger switch can be depressed without first unlocking the retaining latch, take the hedge trimmer to an authorized STIHL servicing dealer to be repaired before use.
- ▶ Press down on the trigger switch lockout and push the retaining latch forward. Make sure it moves freely and springs back into place when released.
- ▶ Insert the battery.
- ▶ Hold the hedge trimmer firmly with one hand on the control handle and with the other hand firmly on the front handle or loop handle. Depress and hold the trigger switch lockout, push the retaining latch forward with your thumb and squeeze the trigger switch with your index finger. The hedge trimmer should switch on. If it does not, take the hedge trimmer to an authorized STIHL servicing dealer to be repaired before use.

- ▶ Release the trigger switch.
The hedge trimmer should switch off.

If the hedge trimmer does not switch off after you release the trigger switch, remove the battery and take the hedge trimmer to an authorized STIHL servicing dealer to be repaired before use.

17 During Operation

17.1 Adjusting the Angle of the Cutting Blades

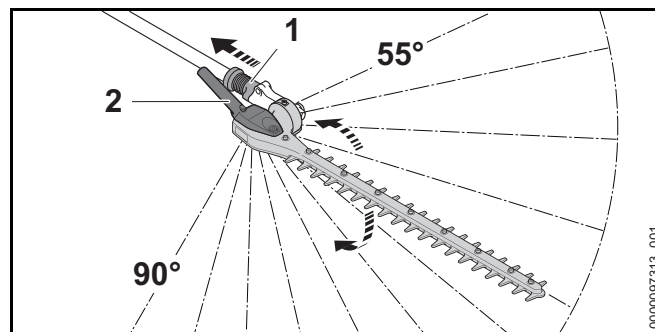
⚠ WARNING

To reduce the risk of serious personal injury from unintended activation, remove the battery before attempting to adjust the angle of the cutting blades. Keep hands, feet and other parts of the body away from the cutting blades while making adjustments. Hold the unit by the blade adjustment grip. Keep bystanders out of the area.

The angle of the cutting blades can be adjusted to four different positions upwards and seven different positions downwards to suit the application and the height and reach of the user.

To adjust the angle of the cutting blades:



- ▶ Switch off the hedge trimmer, 15.2.
- ▶ Remove the battery, 14.2.

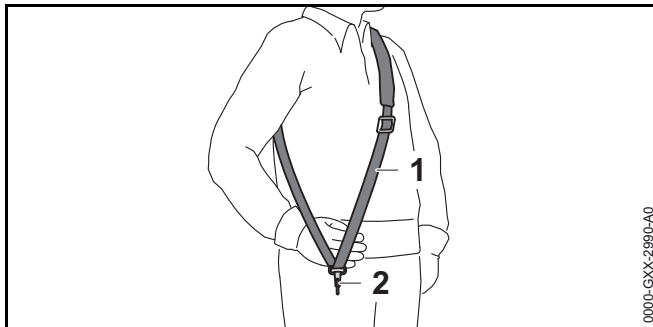


- ▶ Hold the blade adjustment grip (2) firmly.
- ▶ Pull back the blade adjustment release (1) and hold it in this unlocked position.
- ▶ Move the cutting blades to the desired angle.
- ▶ Release the blade adjustment release. The blade adjustment release will spring back into place.
- ▶ Move the blade adjustment grip up and down until the cutting blades engage. That completes the adjustment.
- ▶ Confirm that the blade adjustment grip is fixed in place.

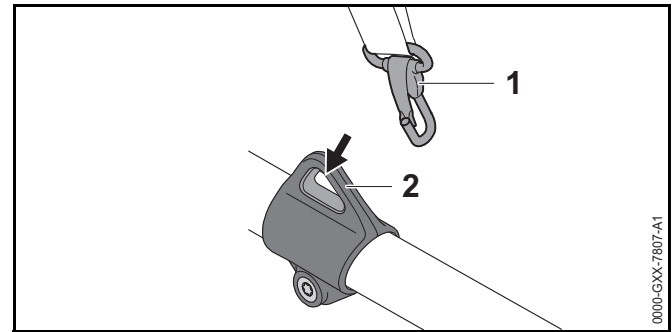
17.2 Putting on and Adjusting the Shoulder Strap

To fit and adjust the harness:

- ▶ Switch off the hedge trimmer,  15.2.
- ▶ Remove the battery,  14.2.
- ▶ Put the shoulder strap over your shoulder.



- ▶ Adjust the length of the shoulder strap (1) so that the carabiner (2) is about a hand's width below the top of your hip.

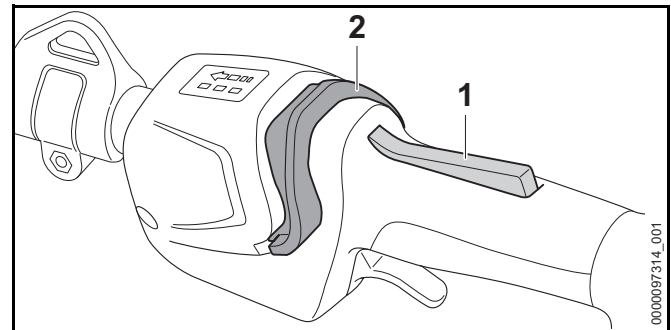


- ▶ Attach the carabiner (1) to the carrying ring (2) on the hedge trimmer.

17.3 Selecting the Power Level

The unit can be operated at three different power settings, indicated by LEDs on the control handle. The higher the power level, the faster the cutting blades will rotate.

To set the power level:





- ▶ Depress and hold the trigger switch lockout (1).
- ▶ While holding the trigger switch lockout, push the retaining latch (2) forward with your thumb and release it. The LEDs indicate the current power level.
- ▶ Push the retaining latch forward to activate the next power level. Performing this operation at the highest power level will cause the unit to return to the first power level.


Generally, battery life will be shorter when operating continuously at the higher power levels.

17.4 Using the Hedge Trimmer

! WARNING

Always wear proper clothing and protective apparel, including proper eye protection,  6.3. Work carefully and maintain proper control of the hedge trimmer,  6.5.2.

! WARNING

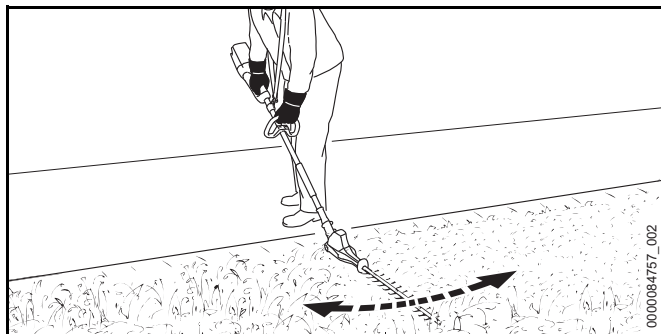
To avoid serious or fatal injury, avoid contact with the moving cutting blades. Never hold the material to be cut and never remove cut material without first releasing the trigger switch and removing the battery. Release the trigger switch and remove the battery before clearing jammed material,  6.2.

The hedge trimmer is designed for two-handed operation.

- ▶ Before starting work with the hedge trimmer, remove thick branches with a hand pruning saw, loppers, chain saw or other appropriate tool.
- ▶ Do not cut stems, branches or other vegetation greater than 1.3 in. (33 mm) in diameter.

Observe all applicable laws, regulations, standards and ordinances.

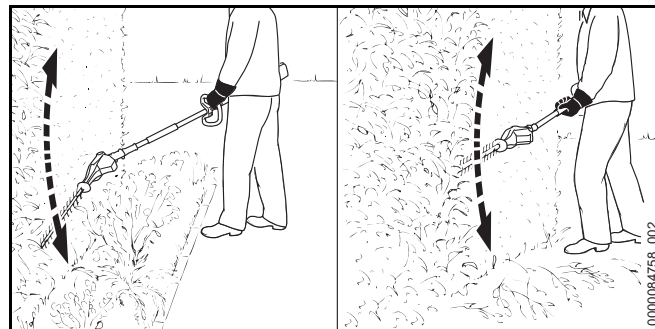
Cutting at ground level (HLA 135 only)



- ▶ Set the cutting attachment to a suitable angle.

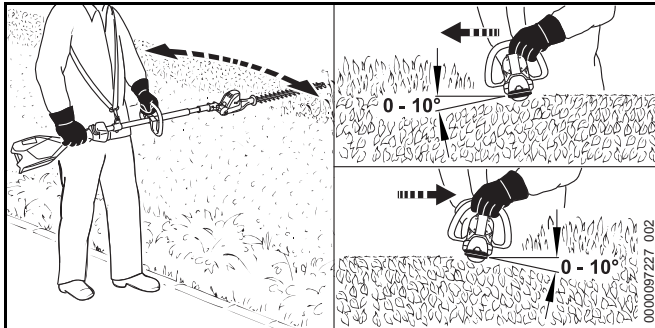
- ▶ Move the hedge trimmer back and forth, keeping the cutting blades parallel to the ground.
- ▶ Walk slowly and steadily forwards.
- ▶ If cutting performance deteriorates: Sharpen the cutting blades.

Cutting side of hedge



- ▶ If you have to cut at a certain distance from the hedge (flowerbed): Set the cutting attachment to a suitable angle (with adjustable cutting attachment only).
- ▶ Swing the cutting attachment from the bottom of the hedge upwards in a controlled arc (see illustration above).
- ▶ Lower the nose of the cutting attachment, move along the hedge and swing the cutting attachment up again in a controlled arc.
- ▶ Cut the other side of the hedge in the same way.
- ▶ If cutting performance deteriorates: Sharpen the cutting blades.

Cutting top of hedge

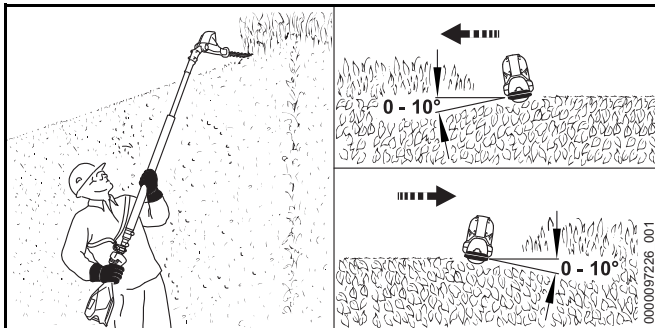


- ▶ Hold the cutting attachment at an angle of 0° to 10° as you move the cutting attachment horizontally, using both sides of the cutting attachment (see illustration above).
- ▶ If cutting performance deteriorates: Sharpen the cutting blades.

Cutting overhead (with adjustable cutting attachment only)

⚠ WARNING

Working above shoulder height can be tiring. To reduce the risk of injury from fatigue, never hold the machine with your rear hand on the control handle above shoulder height. Set the adjustable cutter blades to the most suitable angle so that the unit can be held at a lower, less tiring position while providing adequate reach. Take frequent breaks.



- ▶ Set the cutting attachment to a suitable angle.

- ▶ Hold the cutting attachment at an angle of 0° to 10° as you move the cutting attachment horizontally, using both sides of the cutting attachment (see illustration above).
- ▶ If cutting performance deteriorates: Sharpen the cutting blades.

18 After Finishing Work

18.1 Preparing for Transportation or Storage

⚠ WARNING

To reduce the risk of personal injury from unintended activation or unauthorized use, switch off the motor, ensure the cutting blades have stopped and remove the battery before transporting the hedge trimmer or putting it down.

To prepare the hedge trimmer for transportation or storage:

- ▶ Switch off the hedge trimmer, 15.2.
- ▶ Remove the battery, 14.2.
- ▶ Slide a blade scabbard over the cutting blades so that it covers the entire cutting attachment.
- ▶ If the hedge trimmer or battery became wet during operation, allow them to dry completely before charging or storing.

19 Transporting the Hedge Trimmer and Battery

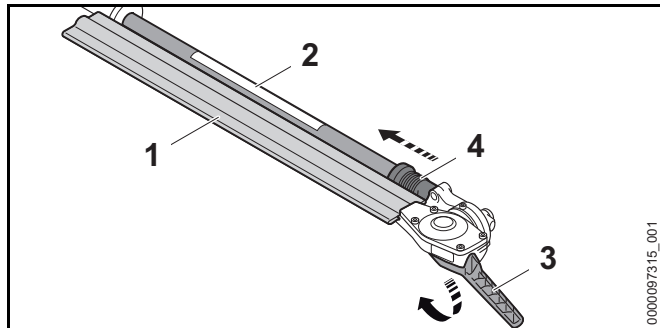
19.1 Hedge Trimmer

⚠ WARNING

Cover the entire length of the cutting blades with a blade scabbard before transporting or storing the hedge trimmer to reduce the risk of cut injuries from inadvertent contact.

When transporting the hedge trimmer:

- ▶ Slide a blade scabbard over the cutting blades so that it covers the entire cutting attachment.



- ▶ If you have an adjustable cutting attachment:
 - ▶ Pull back the blade adjustment release (4) and hold it in this position.
 - ▶ Hold the hedge trimmer at the blade adjustment grip (3) and fold the cutting blades (1) down completely until the cutting blades are parallel to the drive tube (2).
 - ▶ Let go of the blade adjustment release. When the blade adjustment release reaches the transporting position, you will hear an audible click. The cutting attachment should be fixed in place and flush against the housing.
- ▶ When transporting the hedge trimmer by hand, hold it by the drive tube with the cutting blades behind you.
- ▶ When transporting the hedge trimmer in a vehicle, cover the entire length of the cutting blades with a blade scabbard. Secure and position the hedge trimmer to prevent turnover, impact and damage.

Your hedge trimmer comes standard with a blade scabbard.

19.2 Battery

! WARNING

To reduce the risk of a short circuit, which could lead to electric shock, fire and explosion, never transport the battery in a metal container or near metal objects (e.g., paper clips, nails, coins, keys), 7.

When transporting the battery:

- ▶ Place the battery in a non-metal container or carton and secure it against impact or damage. Never transport the battery in a metal or other container that is capable of conducting electricity, or near metal objects (e.g., paper clips, nails, coins, keys).
- ▶ If you are transporting the battery in a vehicle, secure it and its container to prevent turnover, impact and damage.

STIHL batteries comply with the requirements set forth in UN-Manual ST/SG/AC.10/11/Rev.5/Part III, Subsection 38.3.

Commercial air, vessel and ground transportation of lithium ion cells and batteries is regulated. The battery is classified as a UN 3480, Class 9, packaging group II product. Shipping it, either as a complete tool or the battery, requires compliance with all applicable shipping regulations. Check with the ground, vessel, air cargo or passenger airline to determine if transport is prohibited or subject to restrictions or exemptions prior to shipping or travel.

Normally, no further conditions have to be met by the user in order to transport STIHL batteries by road to the power tool's operating site. Check and comply with any special regulations that may apply to your situation.

For further information please go to www.stihlusa.com/battery-transportation-safety.



20 Storing the Hedge Trimmer and Battery

20.1 Hedge Trimmer

! WARNING



Store the hedge trimmer indoors in a dry, secure place that is inaccessible to children and other unauthorized users, 8.1. Never store the battery in the hedge trimmer or charger. Improper storage can result in unauthorized use and damage to the hedge trimmer, 8.1.

When storing the hedge trimmer:



- ▶ Clean the hedge trimmer,  21.
- ▶ Clean the cutting blades,  21.2.
- ▶ Store the hedge trimmer indoors in a dry and secure location, out of the reach of children and other unauthorized persons.

20.2 Battery

WARNING

To reduce the risk of a short circuit, which could lead to electric shock, fire and explosion, never store the battery in a metal container or near metal objects,  7. If the battery is damp or wet, allow it to dry thoroughly before storing,  7.

WARNING

Extreme temperatures can damage the battery and may also cause the battery to generate heat, rupture, leak, ignite or explode, resulting in severe or fatal personal injury or property damage. Use and store the battery only within an ambient temperature range of 14 °F to 122 °F (- 10 °C to 50 °C),  7. Never store the battery in direct sunlight or inside a vehicle in hot weather,  7.


To properly store the battery:

- ▶ Take the battery out of the hedge trimmer or the charger.
- ▶ Make sure the battery is dry and store it indoors in a dry and secure location.
- ▶ Keep it out of the reach of children and other unauthorized persons.
- ▶ Protect the battery against dampness and corrosive agents such as garden chemicals and de-icing salts.
- ▶ Protect the battery from exposure to conductive liquids such as salt water.
- ▶ For maximum battery life, store the battery at an ambient temperature between 50 °F and 68 °F (10 °C and 20 °C) with a charge between 40 % and 60 % (2 green LEDs).
- ▶ Do not leave spare batteries unused. Use them in rotation.

21 Cleaning

21.1 Cleaning the Hedge Trimmer and Battery

WARNING



To reduce the risk of personal injury from unintended activation, remove the battery before carrying out any cleaning work,  8.1. Users of this hedge trimmer should carry out only the cleaning described in this manual.

To clean the hedge trimmer and battery:

- ▶ Clean the hedge trimmer's polymer components with a slightly dampened cloth. Do not use detergents or solvents. They may damage the polymer components.
- ▶ Keep the hedge trimmer's guides free from foreign matter and clean as necessary with a soft brush.
- ▶ Do not use a pressure washer to clean the hedge trimmer or otherwise spray it with water or other liquids.
- ▶ Keep the battery housing and guides free from foreign matter and clean as necessary with a soft brush or soft, dry cloth.

21.2 Cleaning the Cutting Blades

WARNING

To reduce the risk of personal injury from unintended activation, remove the battery before carrying out any cleaning work,  7.1. Users of this hedge trimmer should carry out only the cleaning described in this manual. To help prevent injuries, always wear heavy-duty work gloves when handling the hedge trimmer or its cutting blades,  6.3.



To clean the cutting blades:

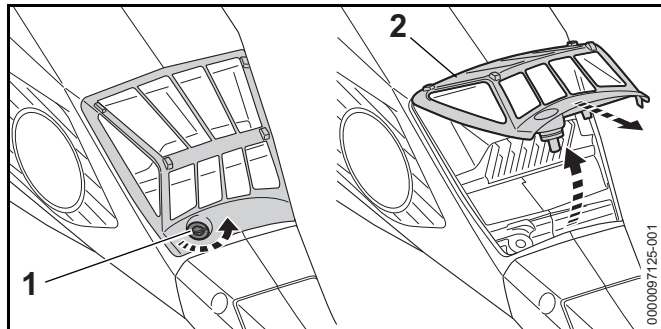
- ▶ Spray both sides of the cutting blades with a resin solvent, such as STIHL Resin Remover and Lubricant.
- ▶ Insert the battery and switch on the hedge trimmer for a few seconds to evenly distribute the resin solvent throughout the cutting blades.

- ▶ Do not use a pressure washer to clean the cutting blades or spray them with water or other liquids.

21.3 Cleaning the Air Filter

To clean the air filter:

- ▶ Switch off the power tool,  15.2.
- ▶ Remove the battery,  14.2.




- ▶ Clean the area around the air filter (2) with a damp cloth or soft brush.
- ▶ Turn the screw (1) counterclockwise until the air filter can be removed.
- ▶ Remove the air filter by lifting it up and pulling it off.
- ▶ Rinse away coarse dirt from the outside of the air filter under running water. Never spray the air filter with a pressure washer.
- ▶ If the air filter is damaged, replace it.
- ▶ Allow the air filter to air dry.
- ▶ After the air filter has dried thoroughly, push it into place by hand.
- ▶ Tighten the screw.

22 Inspection and Maintenance

22.1 Inspecting and Maintaining the Hedge Trimmer

WARNING

To reduce the risk of personal injury from unintended activation, remove the battery before inspecting the hedge trimmer or carrying out any maintenance,  8.1. Carry out only the maintenance operations described in this manual. There are no user-authorized repairs. STIHL recommends that repair work be performed by authorized STIHL servicing dealers.



To properly maintain the hedge trimmer:

- ▶ Clean the air filter every 50 hours of operation.
- ▶ Sharpen the cutting blades.
- ▶ Lubricate the gearbox every 25 hours of operation.
- ▶ Have worn or damaged cutting blades replaced by an authorized STIHL servicing dealer.
- ▶ Have worn, missing or damaged safety labels replaced by an authorized STIHL servicing dealer.

If you make a warranty claim for a component that has not been serviced or maintained properly, coverage may be denied.

22.2 Inspecting and Maintaining the Cutting Blades

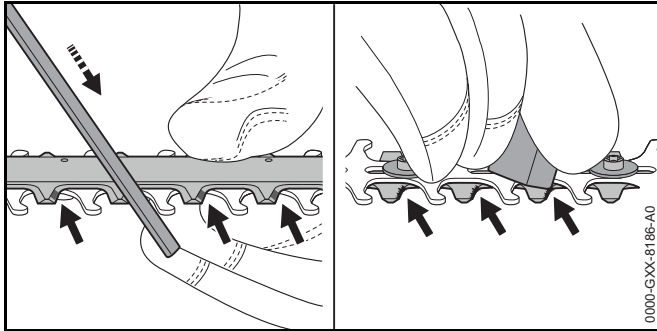
WARNING



To reduce the risk of personal injury from unintended activation, remove the battery before inspecting the cutting blades or carrying out any maintenance,  7.1. To help prevent injuries, always wear heavy-duty work gloves when handling the hedge trimmer or its cutting blades,  6.3. STIHL recommends having the cutting blades sharpened by an authorized STIHL servicing dealer.

Although it is best to have the cutting blades sharpened by a dealer on a workshop sharpener, it is possible to use a flat crosscut sharpening file.

Sharpen the cutting blades when cutting performance begins to deteriorate, i.e., blades frequently snag on branches or fail to cut material cleanly.

To sharpen the cutting blades with a file:



- ▶ Sharpen each cutting edge of the upper cutting blade with a sharpening file. Always file toward the cutting edge with a forward motion matching the sharpening angle,  24.3. Sharpen on the forward stroke. Lift off the blade on the backstroke.
- ▶ Only sharpen the cutting edges. Do not file blunt projecting parts of the cutting attachment, or the cutting blade guard. Make sure your sharpening stroke matches the sharpening angle,  24.3.
- ▶ Turn the hedge trimmer over.
- ▶ Use a whetstone to remove any burrs from the cutting edges. Remove as little material as possible.
- ▶ After sharpening, wipe away filing or grinding dust with a dry or slightly dampened cloth and then spray the cutting blades with a resin solvent, such as STIHL Resin Remover and Lubricant.

If you make a warranty claim for a component which has not been serviced or maintained properly, coverage may be denied.

NOTICE

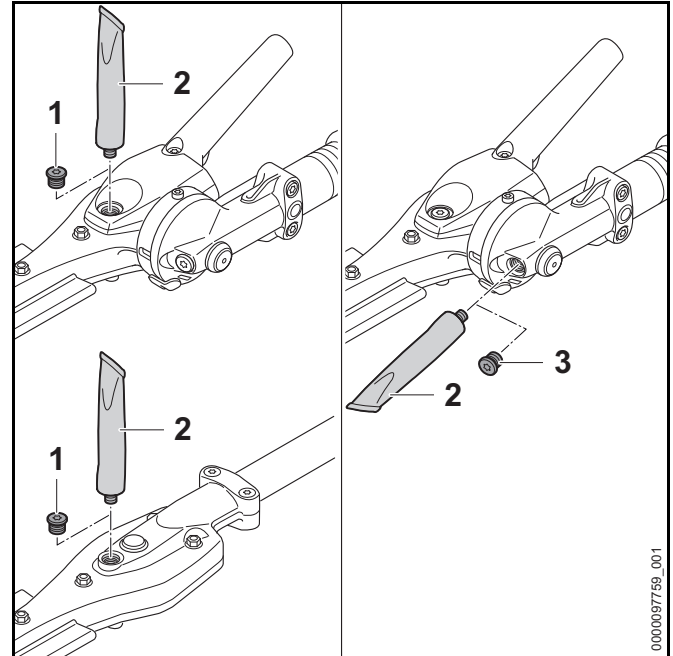
Operating the machine with dull or damaged cutting blades may overload the motor. Keeping the cutting blades sharp helps maintain cutting performance and the expected life of the product.

22.3 Lubricating the Gearbox

WARNING

The gearbox becomes hot during operation. To reduce the risk of burn injury, avoid contacting the gearbox while it is still hot following operation. Wait for the gearbox to cool down before performing this operation.

To lubricate the gearbox:



- ▶ Remove the screw plug (1).
- ▶ If you have an adjustable cutting attachment: Remove the screw plug (3).
- ▶ If no grease can be seen on the inside of the screw plug, screw the tube (2) of STIHL gear lubricant into the filler hole.
- ▶ Squeeze no more than 0.2 oz. (5 g) of STIHL gear lubricant into the gearbox.
- ▶ Remove the tube of STIHL gear lubricant.

- ▶ Insert the screw plugs and tighten it.





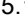

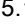
NOTICE

Do not completely fill the gearbox with grease.




23 Troubleshooting Guide

23.1 Hedge Trimmer and Battery

Always remove the battery before carrying out any inspection, cleaning or maintenance.

Condition	LEDs on Battery	Cause	Remedy
Hedge trimmer does not start when switched on.		No electrical contact between hedge trimmer and battery.	<ul style="list-style-type: none"> ▶ Remove the battery,  14.2. ▶ Visually check the electrical contacts in the battery compartment and on the battery. ▶ Reinsert the battery,  14.1.
	1 LED flashes green. STIHL AR Series: four long beeps are emitted (AR L - six beeps).	Battery has low charge.	<ul style="list-style-type: none"> ▶ Charge the battery,  10.
	1 LED glows red.	Battery too hot / too cold.	<ul style="list-style-type: none"> ▶ Allow the battery to warm up or cool down gradually at ambient temperatures of about 50 °F to 68 °F (10 °C to 20 °C).
	4 LEDs flash red. STIHL AR Series: Additionally, a rapid succession of short beeps is emitted.	Malfunction in battery.	<ul style="list-style-type: none"> ▶ Remove the battery and reinsert it,  14. ▶ Switch on the hedge trimmer,  15.1. ▶ If the LEDs continue to flash, do not attempt to use. The battery has a malfunction and must be replaced.
	3 LEDs glow red.	Hedge trimmer too hot.	<ul style="list-style-type: none"> ▶ Allow the hedge trimmer to cool down.
	3 LEDs flash red.	Malfunction in hedge trimmer.	<ul style="list-style-type: none"> ▶ Remove the battery and reinsert it,  14 ▶ Switch on the hedge trimmer,  15.1. ▶ If the LEDs still flash, do not attempt to use. The hedge trimmer has a malfunction and must be checked by a servicing dealer.

Always remove the battery before carrying out any inspection, cleaning or maintenance.

Condition	LEDs on Battery	Cause	Remedy
		Cutting blades are not clean and lubricated.	<ul style="list-style-type: none"> ▶ Clean the cutting blades,  21.2. ▶ If the LEDs still flash, do not attempt to use. The hedge trimmer has a malfunction and must be checked by a servicing dealer.
Hedge trimmer cuts out during operation.	1 LED glows red.	Battery too hot / too cold.	<ul style="list-style-type: none"> ▶ Remove the battery,  14.2. ▶ Allow the hedge trimmer and battery to cool down gradually at ambient temperatures of about 50 °F to 68 °F (10 °C to 20 °C).
	3 LEDs glow red.	Hedge trimmer too hot.	
Run-time is too short.		Battery not fully charged.	▶ Charge the battery,  10.
		Useful life of battery has been reached or exceeded.	▶ Have the battery checked by an authorized STIHL servicing dealer.
Battery is not being charged even though LED on charger glows green.	1 LED glows red.	Battery too hot / too cold.	<ul style="list-style-type: none"> ▶ Allow the battery to warm up or cool down gradually at ambient temperatures of about 50 °F to 68 °F (10 °C to 20 °C). ▶ Operate the charger only in enclosed, dry rooms at ambient temperatures of 41 °F to 104 °F (5 °C to 40 °C).

24 Specifications

24.1 STIHL HLA 135

- Approved battery types:
 - STIHL AP series
 - STIHL AR series
- Weight without battery: 12.3 lbs. (5.6 kg)

For technical information regarding the STIHL AP and AR / AR L series batteries, see the product information accompanying your battery.

For technical information regarding the STIHL AL 101, 300 and 500 series chargers, see the product information accompanying your charger.

Batteries, chargers and other accessories sold separately. Contact your authorized STIHL servicing dealer for pricing and availability.

24.2 STIHL HLA 135 K

- Approved battery types:
 - STIHL AP series
 - STIHL AR series
- Weight without battery, non-adjustable cutting attachment: 10.4 lbs. (4.7 kg)
- Weight without battery, adjustable cutting attachment: 11.5 lbs. (5.6 kg)

For technical information regarding the STIHL AP and AR / AR L series batteries, see the product information accompanying your battery.

For technical information regarding the STIHL AL 101, 300 and 500 series chargers, see the product information accompanying your charger.

Batteries, chargers and other accessories sold separately. Contact your authorized STIHL servicing dealer for pricing and availability.

24.3 Cutting Blades

- Tooth spacing: 1.3 in. (34 mm)
- Cutting length: 24 in. (600 mm)
- Sharpening angle: 45°

24.4 Symbols on the Hedge Trimmer, Battery and Charger

Symbol	Explanation
V	Volt
Hz	Hertz
A	Ampere
Ah	Ampere hour
W	Watt
Wh	Watt hour
AC	Alternating current
IPX4	Degree of electrical protection



Power symbol on the retaining latch.



Engage the clamping nut



Disengage the clamping nut



STIHL products must not be disposed of in the household trash, but only in accordance with local, state and federal laws and regulations and as provided in this manual, 27.



Direct current



Number of cells and stored energy according to cell manufacturer's specification. Usable energy will be less.



The RBRC seal indicates that STIHL has prepaid for battery recycling.



Read the manual

24.5 Engineering Improvements

STIHL's philosophy is to continually improve all of its products. As a result, engineering changes and improvements are made from time to time. Therefore, some changes, modifications and improvements may not be covered in this manual. If the operating characteristics or the appearance of your machine differs from those described in this manual, please contact your STIHL dealer or the STIHL distributor in your area for assistance.

24.6 FCC 15 Compliance Statement

This device complies with part 15 of the FCC Rules.

Operation is subject to the following two conditions:

- this device may not cause harmful interference.
- this device must accept any interference received, including interference that may cause undesired operation.

Note: This equipment has been tested and found to comply with the limits for a Class B digital device, pursuant to part 15 of the FCC Rules. These limits are designed to provide reasonable protection against harmful interference in a residential installation. This equipment generates, uses and can radiate radio frequency energy and, if not installed and used in accordance with the instructions, may cause harmful interference to radio communications. However, there is no guarantee that interference will not occur in a particular installation.

If this equipment does cause harmful interference to radio or television reception, which can be determined by turning the equipment off and on, the user is encouraged to try to correct the interference by one or more of the following measures:

- reorient or relocate the receiving antenna,
- increase the separation between the equipment and receiver,

- connect the equipment to an outlet on a circuit different from that to which the receiver is connected,
- consult an authorized STIHL servicing dealer or an experienced radio/TV technician for help.

Do not change or modify this product in any way unless specifically allowed in this manual, since this could void your authority to operate it.

25 Approved Harness Combinations

25.1 Harness Combinations

WARNING

The operator must be able to remove the harness quickly in the event of an emergency. To reduce the risk of injury in an emergency:

- ▶ Practice removing and putting down the power tool as you would in an emergency. To avoid damage, do not throw the power tool to the ground when practicing.

The following harnesses are available for your hedge trimmer:



Shoulder Strap



Full Harness



STIHL Battery Belt with STIHL AP Battery Bag with Connecting Cord in combination with the Shoulder Strap



STIHL Battery Belt with STIHL AP Battery Bag with Connecting Cord in combination with the Shoulder Harness and Hip Pad



STIHL AR Backpack Battery in combination with Hip Pad




STIHL Battery Backpack in combination with Hip Pad



RTS Harness

26 Replacement Parts and Equipment

26.1 Genuine STIHL Replacement Parts

STIHL recommends the use of genuine STIHL replacement parts. Genuine STIHL parts can be identified by the STIHL part number, the **STIHL** logo and, in some cases, by the STIHL parts symbol . The symbol may appear alone on small parts.

27 Disposal

27.1 Disposal of the Power Tool

STIHL products must not be thrown in household trash or disposed of except as outlined in this manual.

- ▶ Take the power tool, accessories and packaging to an approved disposal site for environmentally friendly recycling.
- ▶ Contact your authorized STIHL servicing dealer for the latest information on disposal and recycling.

27.2 Battery Recycling

WARNING

Handle discharged/depleted batteries carefully. Even if believed to be discharged, lithium ion batteries may never totally discharge and still may deliver a dangerous short circuit current. If damaged or exposed to extreme temperatures, they may leak, generate heat, catch fire or explode.

- ▶ Observe all federal, state and local disposal rules and regulations.
- ▶ Contact your authorized STIHL servicing dealer for the latest information on waste disposal.
- ▶ Recycle depleted batteries promptly.
- ▶ Keep batteries away from children. Do not disassemble and do not dispose of in fire.



STIHL is committed to the development of products that are environmentally responsible. This commitment does not stop when the product leaves the authorized STIHL servicing dealer. STIHL has partnered with the RBRC (Rechargeable Battery Recycling Corporation) to promote the collection and recycling of spent STIHL lithium ion batteries in the United States and Canada.

The RBRC seal indicates that STIHL has prepaid for battery recycling. RBRC has a toll free phone number (1-800-822-8837) that connects you to information on battery recycling locations and information on battery disposal bans or restrictions in your area. You can also return your spent battery to any authorized STIHL servicing dealer for recycling free of charge.

28 Limited Warranty

28.1 STIHL Incorporated Limited Warranty Policy

This product is sold subject to the STIHL Incorporated Limited Warranty Policy, available at www.stihlusa.com/warranty.html. It can also be obtained from your authorized STIHL dealer or by calling 1-800-GO-STIHL (1-800-467-8445).

28.2 STIHL Incorporated CALIFORNIA ZERO EMISSIONS CONTROL WARRANTY STATEMENT

For California only

YOUR WARRANTY RIGHTS AND OBLIGATIONS

The California Air Resources Board (CARB) and STIHL Incorporated are pleased to explain the emissions control system warranty on your 2021 and later small off-road zero emission equipment motor.

In California, new equipment that uses small off-road zero emission equipment motors must be designed, built, and equipped to meet the State's stringent anti-smog standards. STIHL Incorporated must warrant the emissions control system on your small off-road zero emission equipment motors for the periods of time listed below provided there has been no abuse, neglect or improper maintenance of your small off-road motor or equipment leading to the failure of the emissions control system.

Your emissions control system may include parts such as the zero emission equipment motor, motor controller, battery and battery charger.

Where a warrantable condition exists, STIHL Incorporated will repair your small off-road zero emission equipment motor at no cost to you including diagnosis, parts, and labor.

MANUFACTURER'S WARRANTY RESPONSIBILITIES

The emissions control system on your small off-road equipment motor is warranted for two years. If any emission-related part on your small off-road zero emission equipment motor is defective, the part will be repaired or replaced by STIHL Incorporated free of charge.

OWNER'S WARRANTY RESPONSIBILITIES

As the small off-road zero emission equipment motor owner, you are responsible for the performance of the required maintenance listed in your instruction manual. STIHL Incorporated recommends that you retain all receipts covering maintenance on your small off-road zero emission equipment motor, but STIHL Incorporated cannot deny warranty coverage solely for the lack of receipts or for your failure to ensure the performance of all scheduled maintenance.

As the small off-road zero emission equipment motor owner, you should however be aware that STIHL Incorporated may deny you warranty coverage if your small off-road zero emission equipment motor or a part has failed due to abuse, neglect, improper maintenance or unapproved modifications.

You are responsible for presenting your small off-road zero emission equipment motor to an authorized STIHL dealer as soon as a problem exists. The warranty repairs should be completed in a reasonable amount of time, not to exceed 30 days.

If you have any questions regarding your warranty rights and responsibilities, please contact a STIHL customer service representative at 1-800-467-8445 or you can write to

STIHL Incorporated
536 Viking Drive
P.O. Box 2015
Virginia Beach, VA
23452-2015
www.stihlusa.com

COVERAGE BY STIHL INCORPORATED

STIHL Incorporated warrants to the ultimate purchaser and each subsequent purchaser that your small off-road zero emission equipment motor is designed, built and equipped, at the time of sale, to meet all applicable emission regulations.

STIHL Incorporated also warrants to the initial purchaser and each subsequent purchaser that your zero emission equipment motor is free from defects in materials and workmanship which cause the your zero emission equipment motor to fail to conform to applicable emission regulations for a period of two years.

DEFECTS WARRANTY PERIOD

The warranty periods will begin on the date the utility zero emission equipment motor is purchased by the initial purchaser. If any emission-related part on your zero emission equipment motor is defective, the part will be replaced by STIHL Incorporated at no cost to the owner.

Add-on or modified parts that are not exempted by CARB may not be used. The use of any non-exempted add-on or modified parts will be grounds for disallowing a warranty claim. STIHL Incorporated will not be liable to warrant failures of warranted parts caused by the use of a non-exempted add-on or modified part.

The warranty on emissions-related parts will be interpreted as follows:

- 1) Any warranted part that is not scheduled for replacement as required maintenance in the written instructions required in the Emission Warranty Parts List (see below) must be warranted for the warranty period defined in Subsection COVERAGE BY STIHL INCORPORATED, see above. If any such part fails during the period of warranty coverage, it must be repaired or replaced by the manufacturer according to Subsection (4) below. Any such part repaired or replaced under the warranty must be warranted for the remaining warranty period.
- 2) Any warranted part that is scheduled only for regular inspection in the written instructions required by the Emission Warranty parts List (see below) must be warranted for the warranty period defined in Subsection

COVERAGE BY STIHL INCORPORATED, see above. A statement in such written instructions to the effect of "repair or replace as necessary" will not reduce the period of warranty coverage. Any such part repaired or replaced under warranty must be warranted for the remaining period.

- 3) Any warranted part that is scheduled for replacement as required maintenance in the written instructions required by the Emission Warranty Parts List (see below) must be warranted for the period of time prior to the first scheduled replacement point for that part. If the part fails prior to the first scheduled replacement, the part must be repaired or replaced by the zero emission equipment motor manufacturer according to Subsection (4) below. Any such part repaired or replaced under warranty must be warranted for the remainder of the period prior to the first scheduled replacement point for the part.
- 4) Repair or replacement of any warranted part under the warranty must be performed at a warranty station at no charge to the owner.
- 5) Notwithstanding the provisions of Subsection (4) above, warranty services or repairs will be provided at all manufacturer distribution centers that are authorized to service the subject zero emission equipment motor.
- 6) The owner must not be charged for diagnostic labor that leads to the determination that a warranted part is in fact defective, provided that such diagnostic work is performed at a warranty station.

WARRANTY WORK

STIHL Incorporated shall remedy warranty defects at any authorized STIHL dealer or warranty station. Any such work shall be free of charge to the owner if it is determined that a warranted part is defective. Any manufacturer approved or equivalent replacement part may be used for any warranty maintenance or repairs on emission-related parts and must be provided without charge to the owner. STIHL Incorporated is liable for damages to other zero emission equipment motor components caused by the failure of a warranted part still under warranty.

EMISSION WARRANTY PARTS LIST

Motor, Battery, Battery Charger, Motor Controller

WHERE TO MAKE A CLAIM FOR WARRANTY SERVICE

Bring the STIHL product to any authorized STIHL dealer.

LIMITATIONS

The repair or replacement of any warranted part otherwise eligible for warranty coverage may be excluded from such warranty coverage if STIHL Incorporated demonstrates that the STIHL product has been abused, neglected, or improperly maintained, and that such abuse, neglect, or improper maintenance was the direct cause of the need for repair or replacement of the part. That notwithstanding, any adjustment of a component that has a factory installed, and properly operating, adjustment limiting device is still eligible for warranty coverage.

29 Trademarks

29.1 Registered Trademarks

STIHL®

STIHL®



The color combination orange-grey (U.S. Registrations #2,821,860; #3,010,057, #3,010,058, #3,400,477; and #3,400,476)

AutoCut®

YARD BOSS®

STIHL ROLLOMATIC®

WOOD BOSS®



FARM BOSS®

iCademy®

MAGNUM®

MasterWrench Service®

MotoMix®

OILOMATIC®

ROCK BOSS®

STIHL Cutquik®

STIHL DUROMATIC®

STIHL Quickstop®

STIHL WOOD BOSS®

TIMBERSPORTS®



29.2 Common Law Trademarks

4-MIX™	HT Plus™
BioPlus™	STIHL PowerSweep™
Easy2Start™	STIHL Protec™
EasySpool™	STIHL MiniBoss™
ElastoStart™	STIHL MotoPlus 4™
Ematic™	Master Control Lever™
STIHL Precision Series™	STIHL OUTFITTERS™
FixCut™	STIHL PICCO™
Micro™	TrimCut™
Pro Mark™	STIHL M-Tronic™
Quad Power™	STIHL HomeScaper Series™
Quiet Line™	STIHL PolyCut™
STIHL Arctic™	STIHL RAPID™
STIHL Compact™	STIHL SuperCut™
STIHL Interchangeable Attachment Series™	STIHL Multi-Cut HomeScaper Series™
TapAction™	STIHL Territory™
	

This listing of trademarks is subject to change.

Any unauthorized use of these trademarks without the express written consent of ANDREAS STIHL AG & Co. KG, Waiblingen is strictly prohibited.

30 Addresses

30.1 STIHL Incorporated

STIHL Incorporated
536 Viking Drive
P.O. Box 2015
Virginia Beach, VA
23452-2015

Contenido

1	Introducción	48	9	Antes de empezar a trabajar	68
2	Acerca de este manual de instrucciones	48	9.1	Preparación del cortasetos para el funcionamiento.....	68
2.1	Palabras identificadoras.....	48	10	Carga de la batería	68
2.2	Símbolos en el texto.....	48	10.1	Preparación del cargador para el funcionamiento.....	68
3	Componentes importantes	49	10.2	Carga.....	69
3.1	Cortasetos y batería HLA 135.....	49	11	Diagnóstico por LED y señales acústicas	70
3.2	Cortasetos y batería HLA 135 K.....	50	11.1	Batería AP de STIHL.....	70
4	Símbolos de seguridad en los productos	51	11.2	Batería de mochila STIHL AR.....	71
4.1	Cortasetos.....	51	12	Batería de mochila STIHL AR	72
4.2	Batería.....	52	12.1	Colocación del cordón de conexión en posición.....	72
5	Advertencias generales de seguridad para herramientas motorizadas	53	12.2	Colocación del arnés.....	73
5.1	Introducción.....	53	13	Armado del cortasetos	73
5.2	Seguridad en la zona de trabajo.....	53	13.1	Montaje de la caja de engranajes.....	73
5.3	Seguridad eléctrica.....	53	13.2	Montaje del mango circular (solo HLA 135).....	74
5.4	Seguridad personal.....	54	14	Colocación y extracción de la batería	75
5.5	Uso y cuidado de la herramienta motorizada.....	54	14.1	Colocación de la batería.....	75
5.6	Uso y cuidado de la herramienta con batería.....	55	14.2	Extracción de la batería.....	75
5.7	Mantenimiento.....	55	15	Encendido y apagado del cortasetos	76
5.8	Advertencias de seguridad del cortasetos.....	55	15.1	Encendido.....	76
5.9	Advertencias de seguridad del cortasetos de alcance extendido.....	56	15.2	Apagado.....	76
6	INSTRUCCIONES IMPORTANTES DE SEGURIDAD	56	16	Revisión de los controles	76
6.1	Uso previsto.....	56	16.1	Prueba de los controles.....	76
6.2	Operador.....	57	17	Durante el funcionamiento	77
6.3	Equipos de protección personal.....	57	17.1	Ajuste del ángulo de las cuchillas de corte.....	77
6.4	Cortasetos.....	58	17.2	Colocación y ajuste de la correa para el hombro.....	78
6.5	Uso del cortasetos.....	59	17.3	Selección del nivel de potencia.....	78
7	Seguridad de la batería	65	17.4	Uso del cortasetos.....	79
7.1	Advertencias e instrucciones.....	65	18	Después de completar el trabajo	81
8	Mantenimiento, reparación y almacenamiento	67	18.1	Preparación para el transporte o el almacenamiento.....	81
8.1	Advertencias e instrucciones.....	67	19	Transporte del cortasetos y de la batería	81

STIHL

Este manual de instrucciones está protegido por derechos de propiedad intelectual. Todos los derechos reservados, especialmente los derechos de reproducción, traducción y procesamiento con sistemas electrónicos.

19.1 Cortasetos	81	29 Marcas comerciales	93
19.2 Batería	82	29.1 Marcas comerciales registradas	93
20 Almacenamiento del cortasetos y de la batería	82	29.2 Marcas comerciales por ley común	94
20.1 Cortasetos	82	30 Direcciones	94
20.2 Batería	82	30.1 STIHL Incorporated	94
21 Limpieza	83		
21.1 Limpieza del cortasetos y de la batería	83		
21.2 Limpieza de las cuchillas de corte	83		
21.3 Limpieza del filtro de aire	83		
22 Inspección y mantenimiento	84		
22.1 Inspección y mantenimiento del cortasetos	84		
22.2 Inspección y mantenimiento de las cuchillas de corte	84		
22.3 Lubricación de la caja de engranajes	85		
23 Guía de solución de problemas	86		
23.1 Cortasetos y batería	86		
24 Especificaciones	88		
24.1 STIHL HLA 135	88		
24.2 STIHL HLA 135 K	88		
24.3 Cuchillas de corte	88		
24.4 Símbolos del cortasetos, de la batería y del cargador	88		
24.5 Mejoramientos técnicos	89		
24.6 Declaración de cumplimiento con norma FCC 15	89		
25 Combinaciones de arnés aprobadas	89		
25.1 Combinaciones de arnés	89		
26 Piezas y equipos de repuesto	90		
26.1 Piezas de repuesto originales de STIHL	90		
27 Eliminación	90		
27.1 Desecho de la herramienta motorizada	90		
27.2 Reciclado de las baterías	90		
28 Garantía limitada	91		
28.1 Política de garantía limitada de STIHL Incorporated	91		
28.2 DECLARACIÓN DE GARANTÍA DE STIHL Incorporated SOBRE SISTEMAS DE CONTROL DE EMISIONES SEGÚN NORMAS DE CALIFORNIA	91		

1 Introducción

Gracias por su compra. La información que contiene este manual lo ayudará a obtener el máximo rendimiento y satisfacción del cortasetos, y a reducir el riesgo de lesiones que supone su uso, si dicha información se respeta.

¡CONSERVE ESTE MANUAL!



Dado que el cortasetos es una herramienta de corte de gran velocidad, es necesario tomar medidas especiales de seguridad para reducir el riesgo de lesiones.



Lea este manual de instrucciones detenidamente antes del uso y periódicamente de allí en adelante. Aténgase a todas las instrucciones de seguridad. El uso descuidado o inadecuado puede causar lesiones graves o mortales.

Pida a su concesionario de servicio STIHL autorizado que le enseñe el manejo de la herramienta motorizada.

No preste ni alquile nunca su cortasetos sin el manual de instrucciones. Solamente permita que las personas que comprenden por completo la información de este manual manejen el cortasetos.

Para obtener más información, o si no comprende alguna de las instrucciones incluidas en este manual, visite www.stihlusa.com o comuníquese con un concesionario de servicio STIHL autorizado.

2 Acerca de este manual de instrucciones

2.1 Palabras identificadoras

Este manual contiene información sobre seguridad a la que usted debe prestar atención especial. Dicha información se indica con los siguientes símbolos y palabras identificadoras:

PELIGRO

Identifica una situación de peligro que, de no evitarse, causará lesiones graves o mortales.

ADVERTENCIA

Identifica una situación de peligro que, de no evitarse, podría causar lesiones graves o mortales.

INDICACIÓN

Indica el riesgo de daños a la propiedad, incluidos la máquina o sus componentes.

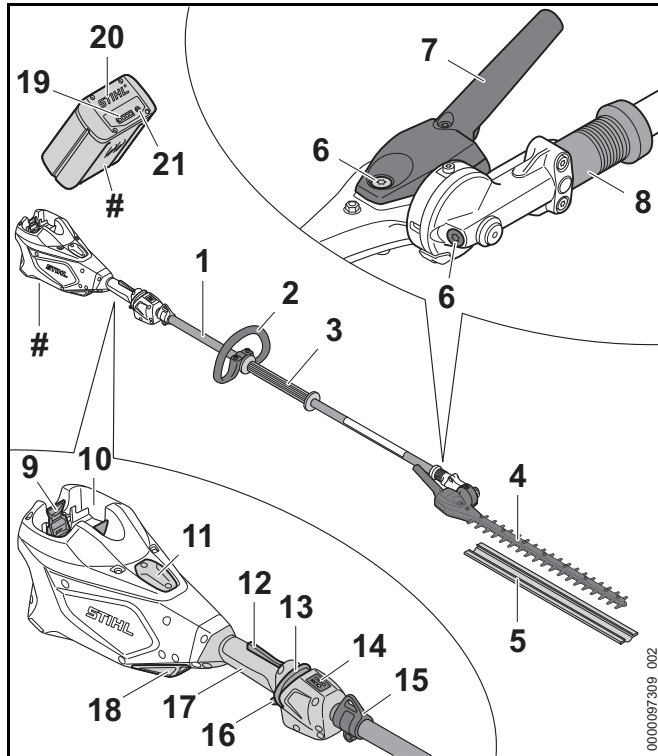
2.2 Símbolos en el texto

El siguiente símbolo tiene como finalidad ayudarlo a utilizar este manual.

Hace referencia a un capítulo o subcapítulo designado en este manual de instrucciones.

3 Componentes importantes

3.1 Cortasetos y batería HLA 135



1 Tubo de mando

Eje del cortasetos.

2 Mango circular

Mango para la mano delantera del operador.

3 Mango delantero

Mango para la mano delantera del operador.

4 Cuchillas de corte

Cuchillas de acero para cortar setos, arbustos y matas.

5 Funda para cuchillas

Cubre las cuchillas de corte para reducir el riesgo de que provoquen lesiones por contacto accidental durante el transporte o el almacenamiento.

6 Tapón roscado

Sella la abertura de llenado de grasa de la caja de engranajes.

7 Enclavamiento del ajuste de las cuchillas

Se usa para fijar las cuchillas de corte al ángulo deseado.

8 Desbloqueo del ajuste de las cuchillas

Desbloquea el accesorio de corte para que se pueda ajustar el ángulo.

9 Palanca de bloqueo

Asegura la batería en el compartimiento de la batería.

10 Compartimiento de la batería

Espacio en que se coloca la batería.

11 Hueco de montaje

Zona de montaje para un Smart Connector 2 A.

12 Bloqueo del gatillo

Se debe presionar para permitir la activación del gatillo.

13 Pestillo de retención

Para encender el cortasetos y para seleccionar el nivel de potencia.

14 LED

Indican el nivel de potencia de la máquina.

15 Argolla de transporte

Para enganchar un arnés al cortasetos.

16 Gatillo

Activa el accesorio de corte cuando se aprieta.

17 Mango de control

Mango para la mano trasera del operador.

18 Filtro de aire

Filtra el aire que se aspira y entra en el motor.

19 LED de la batería

Indican el estado de carga de la batería y muestran mensajes de error sobre posibles fallos de funcionamiento de la batería o de la herramienta motorizada.

20 Batería

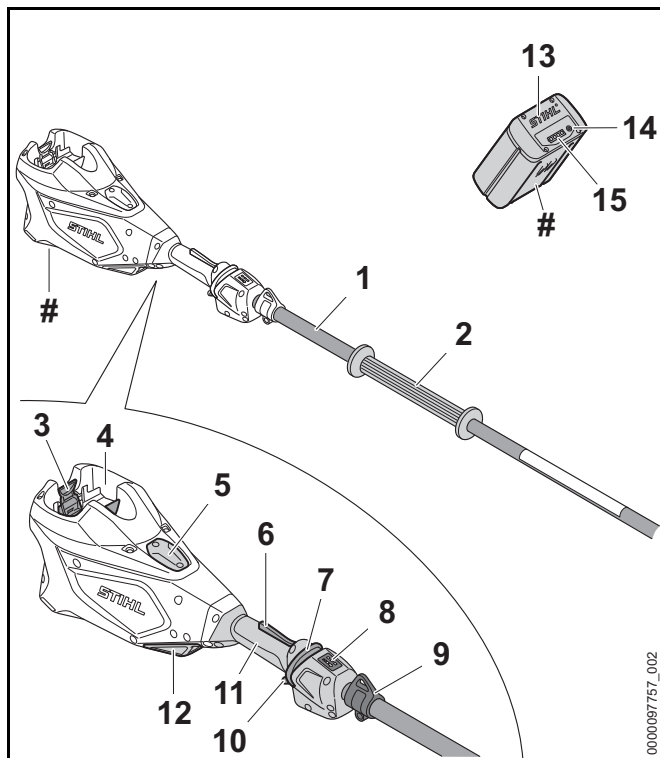
Suministra energía eléctrica al motor.

21 Pulsador

Activa los LED de la batería.

Placa de características

Contiene los datos eléctricos y el número de serie del producto.

3.2 Cortasetos y batería HLA 135 K**1 Tubo de mando**

Eje del cortasetos.

2 Mango delantero

Mango para la mano delantera del operador.

3 Palanca de bloqueo

Asegura la batería en el compartimiento de la batería.

4 Compartimiento de la batería

Espacio en que se coloca la batería.

5 Hueco de montaje

Zona de montaje para un Smart Connector 2 A.

6 Bloqueo del gatillo

Se debe presionar para permitir la activación del gatillo.

7 Pestillo de retención

Para encender el cortasetos y para seleccionar el nivel de potencia.

8 LED

Indican el nivel de potencia de la máquina.

9 Argolla de transporte

Para enganchar un arnés al cortasetos.

10 Gatillo

Activa el accesorio de corte cuando se aprieta.

11 Mango de control

Mango para la mano trasera del operador.

12 Filtro de aire

Filtra el aire que se aspira y entra en el motor.

13 Batería

Suministra energía eléctrica al motor.

14 Pulsador

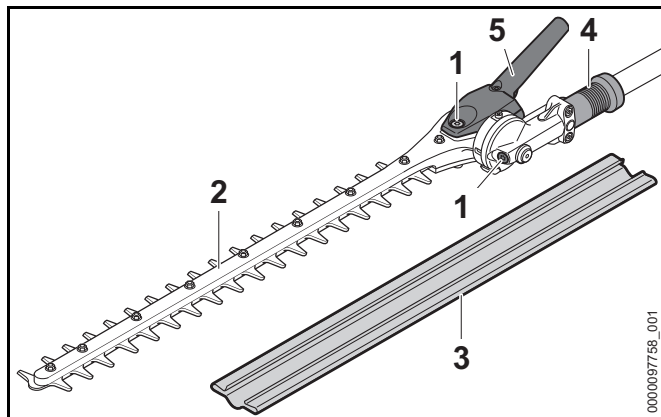
Activa los LED de la batería.

15 LED de la batería

Indican el estado de carga de la batería y muestran mensajes de error sobre posibles fallos de funcionamiento de la batería o de la herramienta motorizada.

Placa de características

Contiene los datos eléctricos y el número de serie del producto.

**Accesorio de corte ajustable****1 Tapón roscado**

Sella la abertura de llenado de grasa de la caja de engranajes.

2 Cuchillas de corte

Cuchillas de acero para cortar setos, arbustos y matas.

3 Funda para cuchillas

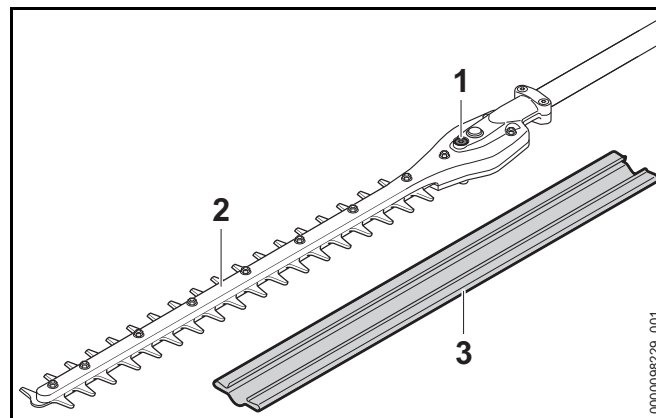
Cubre las cuchillas de corte para reducir el riesgo de que provoquen lesiones por contacto accidental durante el transporte o el almacenamiento.

4 Desbloqueo del ajuste de las cuchillas

Desbloquea el accesorio de corte para que se pueda ajustar el ángulo.

5 Enclavamiento del ajuste de las cuchillas

Se usa para fijar las cuchillas de corte al ángulo deseado.

**Accesorio de corte no ajustable****1 Tapón roscado**

Sella la abertura de llenado de grasa de la caja de engranajes.

2 Cuchillas de corte

Cuchillas de acero para cortar setos, arbustos y matas.

3 Funda para cuchillas

Cubre las cuchillas de corte para reducir el riesgo de que provoquen lesiones por contacto accidental durante el transporte o el almacenamiento.

4 Símbolos de seguridad en los productos**4.1 Cortasetos**

Los siguientes símbolos de seguridad se pueden ver en el cortasetos:



Para reducir el riesgo de sufrir lesiones, respete las medidas de seguridad especificadas.



Lea y respete todas las medidas de seguridad que se dan en el manual de instrucciones. Un uso inadecuado puede provocar lesiones personales graves o mortales, o daños materiales.



Para reducir el riesgo de lesionarse los ojos, use siempre gafas protectoras adecuadas. Lleve un casco protector homologado si hay riesgo de que se lesione la cabeza, 6.3.



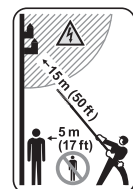
Lleve botas resistentes con suela antideslizante. Le recomendamos que elija botas de seguridad con puntera de acero, 6.3.



Siempre use guantes de trabajo gruesos y no resbaladizos (por ejemplo, de cuero o de otro material resistente al desgaste), para manejar la máquina o las cuchillas metálicas, 6.3.



Para reducir el riesgo de lesionarse, mantenga las manos, los pies y otras partes del cuerpo alejados de las cuchillas, 6.5.4.



Para reducir el riesgo de que se produzcan lesiones personales, no permita que nadie se acerque a menos de 17 pies (5 m), y mantenga una distancia de, como mínimo, 50 pies (15 m), entre el cortasetos (incluidas las ramas con las que pueda estar en contacto), y cualquier línea que conduzca corriente eléctrica. 6.5.4.



Para reducir el riesgo de que se produzcan lesiones o daños materiales a causa de una activación accidental de la máquina, retire la batería cuando el cortasetos no esté en uso, 6.4.

4.2 Batería

Los símbolos de seguridad siguientes se encuentran en la batería de mochila serie AR y en la batería serie AP.



Para reducir el riesgo de lesiones, respete las medidas de seguridad especificadas.



Lea y respete todas las precauciones de seguridad dadas en el manual de instrucciones de la batería y en el manual de la herramienta STIHL que utiliza esta batería. El uso inadecuado puede provocar lesiones personales graves o mortales o daños a la propiedad.



Para reducir el riesgo de lesiones personales o daños a la propiedad debido a incendios, explosiones o quemaduras, incluidas las quemaduras químicas, no desarme, aplaste, deje caer, dañe o caliente la unidad a más de 100°C (212°F). Nunca la exponga al fuego ni la incinere, 7.1.



Para reducir el riesgo de lesiones personales o daños a la propiedad debido a un incendio, use y almacene la batería solo dentro de un rango de temperatura ambiente de -10°C a 50°C (14°F a 122°F), 7.1.

Baterías tipo mochila AR 900, 1000, 2000, 3000



Para reducir el riesgo de lesiones personales o daños a la propiedad causados por un cortocircuito, un incendio o una explosión, mantenga la unidad seca. Protéjala contra la lluvia, el agua y las condiciones húmedas. Nunca la sumerja en agua u otros líquidos, 7.1.

Baterías tipo mochila AR L



Para reducir el riesgo de lesiones personales o daños a la propiedad causados por un cortocircuito, un incendio o una explosión, mantenga la unidad seca. Nunca la sumerja en agua u otros líquidos, 7.1.

Baterías serie AP



Para reducir el riesgo de lesiones personales o daños a la propiedad causados por un cortocircuito, un incendio o una explosión, mantenga la unidad seca. Nunca la sumerja en agua u otros líquidos, 7.1.

Las baterías se venden por separado.

5 Advertencias generales de seguridad para herramientas motorizadas

5.1 Introducción

Este capítulo contiene las advertencias e instrucciones de seguridad generales prescritas para herramientas motorizadas eléctricas de mano. En capítulos posteriores de este manual se proporcionan advertencias e instrucciones adicionales importantes.

⚠️ ADVERTENCIA

- **Lea todas las advertencias de seguridad, instrucciones, ilustraciones y especificaciones que se suministran con esta herramienta motorizada.** Si no se siguen todas las instrucciones que se dan a continuación, se pueden producir descargas eléctricas, incendios y/o lesiones graves.
- **Conserve todas las advertencias e instrucciones, para poder consultarlas en el futuro.**

El término "herramienta motorizada" que se utiliza en las advertencias se refiere a su herramienta con conexión a la red eléctrica (con cable) o a batería (inalámbrica).

5.2 Seguridad en la zona de trabajo

- a) **Mantenga la zona de trabajo limpia y bien iluminada.** El desorden y la oscuridad favorecen los accidentes.
- b) **No utilice las herramientas motorizadas en entornos potencialmente explosivos, tales como aquellos en los que hay líquidos, gases o polvos inflamables.** Las herramientas motorizadas producen chispas que podrían encender el polvo o los vapores.
- c) **Asegúrese de que niños y terceras personas se mantienen alejados de la herramienta motorizada mientras la está usando.** Cualquier distracción podría hacerle perder el control sobre la herramienta.

5.3 Seguridad eléctrica

- a) **El enchufe de la herramienta motorizada debe corresponder con el tomacorriente. Nunca modifique el enchufe en modo alguno. No utilice enchufes adaptadores con herramientas motorizadas que tengan clavija de puesta a tierra.** El uso de enchufes no modificados y de los tomacorrientes adecuados reduce el riesgo de descargas eléctricas.
- b) **Evite que su cuerpo entre en contacto con superficies puestas a tierra tales como tuberías, radiadores, estufas y refrigeradores.** Si su cuerpo está conectado con tierra, existe un mayor riesgo de que sufra descargas eléctricas.
- c) **No esponga las herramientas motorizadas a la lluvia ni a la humedad.** Si entra agua en la herramienta motorizada, aumenta el riesgo de que se produzcan descargas eléctricas.
- d) **No maltrate el cordón eléctrico. Nunca tire del cordón eléctrico para transportar, arrastrar o desenchufar la herramienta motorizada. Mantenga el cordón protegido del calor y alejado de aceites, bordes afilados y piezas móviles.** Si el cordón está dañado o retorcido, aumenta el riesgo de que se produzcan descargas eléctricas.
- e) **Cuando use una herramienta motorizada a la intemperie, utilice un cordón de extensión adecuado para el uso en exteriores.** Con un cordón apto para el uso en exteriores se reduce el riesgo de descargas eléctricas.

- f) **Si resulta ineludible el uso de una herramienta motorizada en un lugar húmedo, utilice un suministro de energía eléctrica con dispositivo de corriente residual (RCD) o con protección contra pérdidas a tierra (GFCI).** El uso de un RCD o GFCI reduce el riesgo de descargas eléctricas.

5.4 Seguridad personal

- a) **Manténgase alerta, preste atención a lo que hace y aplique el sentido común cuando use una herramienta motorizada. No utilice una herramienta motorizada si se nota cansado o si está bajo la influencia de drogas, alcohol o medicamentos.** Un descuido breve durante el uso de una herramienta motorizada puede causar lesiones personales graves.
- b) **Utilice equipos de protección personal. Protéjase los ojos siempre.** El uso de equipos protectores como mascarillas, zapatos de seguridad antideslizantes, casco y protectores de los oídos para lograr las condiciones de trabajo apropiadas reduce el riesgo de sufrir lesiones personales.
- c) **Evite los arranques accidentales. Asegúrese de que el interruptor está en la posición de apagado antes de conectar la máquina a la fuente de energía o a la batería, antes de levantarla y antes de cargarla.** Cargar una herramienta motorizada con un dedo colocado sobre el interruptor de encendido o conectar la alimentación de herramientas que tienen el interruptor en la posición de encendido favorece los accidentes.
- d) **Retire todas las llaves o herramientas de ajuste antes de encender la herramienta motorizada.** Si se deja una herramienta o una llave colocada en un componente giratorio de la herramienta motorizada, se pueden producir lesiones personales.
- e) **No extienda los brazos más de lo necesario. Mantenga el equilibrio y los pies bien apoyados en todo momento.** Así, podrá controlar mejor la herramienta motorizada si surge cualquier imprevisto.
- f) **Use vestimenta adecuada. No utilice ropa suelta ni joyas. Mantenga su cabello y su ropa alejados de las piezas móviles.** La ropa suelta, las joyas o el cabello largo pueden quedar atrapados en los componentes en movimiento.

- g) **Si cuenta con dispositivos para la conexión de equipos extractores y recogedores de polvo, asegúrese de que estos están conectados y de que se usan debidamente.** El uso de un equipo recogedor de polvo puede reducir los peligros relacionados con el polvo.
- h) **No permita que la familiaridad adquirida con el uso frecuente de las herramientas lo lleve a actuar con un exceso de confianza y a no tener en cuenta los principios de seguridad de la herramienta.** Una acción descuidada puede causar lesiones graves en una fracción de un segundo.

5.5 Uso y cuidado de la herramienta motorizada

- a) **No fuerce la herramienta motorizada. Utilice la herramienta motorizada adecuada para el trabajo que va a realizar.** Si usa la herramienta motorizada correcta, llevará a cabo la tarea mejor y con mayor seguridad, y al ritmo para el cual fue diseñada.
- b) **No utilice la herramienta motorizada si no se puede encender y apagar con el interruptor.** Toda herramienta motorizada que no pueda controlarse con su interruptor es peligrosa y debe ser reparada.
- c) **Desconecte el enchufe de la fuente de alimentación o retire el paquete de baterías (si es desmontable), de la herramienta motorizada antes de hacer ajustes, cambiar accesorios o almacenar la herramienta.** Estas medidas preventivas de seguridad reducen el riesgo de arrancar la herramienta motorizada por accidente.
- d) **Guarde las herramientas motorizadas fuera del alcance de los niños, y no permita que utilicen las herramientas personas que no estén familiarizadas con ellas o con estas instrucciones.** En manos de personas no capacitadas para usarlas, las herramientas motorizadas son peligrosas.
- e) **Mantenga debidamente las herramientas motorizadas y sus accesorios.** Compruebe si los componentes móviles están mal alineados o agarrados, si hay roturas en alguna pieza y otros aspectos que pudieran afectar al funcionamiento de la herramienta eléctrica. Si hay daños,

envíe la herramienta eléctrica a reparación antes de usarla. Muchos accidentes se deben a un mantenimiento deficiente de las herramientas motorizadas.

- f) **Mantenga las herramientas de corte afiladas y limpias.** Si se han mantenido correctamente y están afiladas, las herramientas de corte son menos propensas a atascarse y más fáciles de controlar.
- g) **Utilice la herramienta motorizada, los accesorios, las brocas, etc. tal como se indica en estas instrucciones, teniendo en cuenta las condiciones de trabajo y el tipo de tarea que va a realizar.** El uso de una herramienta motorizada para trabajos diferentes a aquellos para los que fue diseñada puede producir situaciones peligrosas.
- h) **Mantenga los mangos y las superficies de agarre secos, limpios y sin aceite ni grasa.** Las superficies de agarre y los mangos resbaladizos dificultan la manipulación y el control seguros de la herramienta en situaciones inesperadas.

5.6 Uso y cuidado de la herramienta con batería

- a) **Recárguela únicamente con el cargador especificado por el fabricante.** Un cargador que es adecuado para un tipo de baterías puede crear un riesgo de incendio si se utiliza con baterías de un tipo diferente.
- b) **Utilice las herramientas motorizadas únicamente con las baterías especificadas para ellas.** El uso de otras baterías puede crear riesgos de lesiones o incendio.
- c) **Cuando no utilice las baterías, manténgalas alejadas de objetos metálicos tales como presillas para papel, monedas, llaves, clavos, tornillos u otros objetos metálicos pequeños que pudieran establecer una conexión entre los distintos terminales.** Un cortocircuito entre los terminales de batería puede causar quemaduras o un incendio.
- d) **En condiciones de maltrato, podría salir líquido de la batería; evite el contacto con el mismo. Si, a pesar de todo, el contacto se produce, lave la zona afectada con agua. Si el líquido entra en contacto con los ojos, busque además atención médica.** El líquido que sale de la batería puede causar irritaciones y quemaduras.

- e) **No utilice una batería ni una herramienta a batería que presente daños o haya sido modificada.** Las baterías dañadas o modificadas pueden tener un comportamiento impredecible y que puede provocar incendios, explosiones y lesiones.
- f) **No exponga nunca una batería ni una herramienta a batería al fuego ni a temperaturas excesivas.** La exposición al fuego o a temperaturas superiores a los 100 °C puede causar una explosión.
- g) **Respete todas las instrucciones relativas a la carga y no cargue la batería ni la herramienta a batería a temperaturas no incluidas en el intervalo que se especifica en las instrucciones.** Una carga incorrecta o realizada a temperaturas fuera del intervalo especificado puede dañar la batería y aumentar el riesgo de incendios.

5.7 Mantenimiento

- a) **El mantenimiento de su herramienta motorizada deberá realizarlo siempre un técnico calificado, utilizando piezas de repuesto genuinas.** Solo así queda garantizado que se mantendrá intacta la seguridad de la herramienta motorizada.
- b) **Nunca intente reparar baterías dañadas.** Del mantenimiento de las baterías deben encargarse únicamente el fabricante o un proveedor de servicio autorizado.

5.8 Advertencias de seguridad del cortasetos

- a) **Mantenga todas las partes del cuerpo alejadas de la cuchilla. No retire el material cortado ni sujete el material que va a cortar cuando las cuchillas están en marcha.** Las cuchillas siguen moviéndose una vez que se ha apagado la herramienta con el interruptor. Un descuido breve durante el uso de del cortasetos puede provocar lesiones personales graves.
- b) **Transporte el cortasetos con la cuchilla detenida y sujetándolo por el mango, prestando atención para no accionar ningún interruptor de encendido.** Si transporta

correctamente el cortasetos, reducirá el riesgo de arrancar la herramienta por accidente y, con ello, de sufrir lesiones provocadas por las cuchillas.

- c) **Cuando transporte o guarde el cortasetos, coloque siempre la cubierta de la cuchilla.** Un manejo correcto del cortasetos reducirá el riesgo de lesiones personales provocadas por las cuchillas.
- d) **Cuando retire materiales atascados o lleve a cabo el mantenimiento de la unidad, asegúrese de que todos los interruptores de encendido están en la posición de apagado y de que la batería se ha retirado o está desconectada.** Si el cortasetos se activa de forma inesperada mientras se están retirando materiales atascados o llevando a cabo el mantenimiento, puede provocar lesiones personales graves.
- e) **Sujete el cortasetos solamente por las superficies de agarre aisladas, ya que la cuchilla podría entrar en contacto con cables ocultos.** Si las cuchillas entran en contacto con un cable con corriente, los componentes metálicos del cortasetos que estén expuestos se podrían cargar de corriente y provocar una descarga eléctrica al operador.
- f) **Mantenga todos los cables y cordones eléctricos alejados de la zona de corte.** Los setos o arbustos pueden ocultar cables o cordones eléctricos que usted podría cortar por accidente con la cuchilla.
- g) **No utilice el cortasetos en condiciones climáticas adversas, especialmente si hay riesgo de relámpagos.** Así reducirá el riesgo de recibir la descarga de un relámpago.

5.9 Advertencias de seguridad del cortasetos de alcance extendido

- a) **Para reducir el riesgo de electrocución, nunca use el cortasetos de alcance extendido cerca de ningún cable eléctrico.** La utilización de la herramienta cerca de cables

de alimentación o el contacto de la misma con este tipo de cables puede provocar lesiones graves o descargas eléctricas que pueden resultar mortales.

- b) **Cuando trabaje con el cortasetos de alcance extendido, siempre use las dos manos.** Sujete el cortasetos de alcance extendido con las dos manos para evitar perder el control sobre el mismo.
- c) **Siempre use casco protector cuando utilice el cortasetos de alcance extendido para cortar por encima de su cabeza.** La caída de desperdicios puede causar lesiones personales graves.

6 INSTRUCCIONES IMPORTANTES DE SEGURIDAD

6.1 Uso previsto

ADVERTENCIA

- Este cortasetos está diseñado para cortar setos, arbustos y matas en patios y jardines. Si el cortasetos se usa para trabajos para los que no ha sido diseñado, podría provocar lesiones graves o mortales.
- Un uso indebido puede provocar lesiones personales o daños materiales, incluyendo daños en el cortasetos.
 - Use el cortasetos y la batería solo como se describe en este manual.
 - Nunca intente modificar ni anular en modo alguno los controles ni los dispositivos de seguridad del cortasetos.
 - Nunca utilice un cortasetos cuyo diseño original se haya modificado o alterado.
 - Asegúrese de leer y respetar las advertencias y las instrucciones de su batería y de su cargador antes de iniciar la carga o de empezar a trabajar.
- Esta herramienta motorizada se puede alimentar con una batería de la gama STIHL AP. Como alternativa, puede recibir alimentación de una batería tipo mochila de la gama STIHL AR en combinación con un adaptador AP.

Las baterías, los cargadores y otros accesorios se venden por separado.

6.2 Operador

! ADVERTENCIA

- El uso del cortasetos es fatigoso. El operador debe hallarse en buenas condiciones tanto físicas como mentales. Para reducir el riesgo de lesiones personales causadas por fatiga o pérdida del control:
 - Consulte a su médico antes de usar el cortasetos si tiene una afección de salud que pueda agravarse por el trabajo extenuante.
 - No haga funcionar el cortasetos si se encuentra bajo la influencia de cualquier sustancia (drogas, alcohol, medicamentos, etc.) que puedan afectar la visión, el equilibrio, la destreza o el juicio.
 - Esté alerta. No maneje el cortasetos cuando está cansado. Tómese un descanso si se siente cansado.
 - No permita que los niños usen el cortasetos.
- De acuerdo con los conocimientos actuales de STIHL, el motor eléctrico del cortasetos no debe interferir con marcapasos.
 - Sin embargo, las personas con marcapasos u otro dispositivo médico implantado deben consultar a su médico y al fabricante del dispositivo antes de utilizar este cortasetos.

6.3 Equipos de protección personal

! ADVERTENCIA

- Para reducir el riesgo de lesiones personales:
 - Siempre use ropa adecuada y vestimenta protectora, incluidas gafas protectoras adecuadas.
- Si el cabello, la ropa o la vestimenta protectora entran en contacto con las cuchillas de corte en movimiento o se enredan en los componentes del cortasetos, podría

perderse el control sobre la máquina, lo que podría provocar lesiones graves por cortes. Para reducir el riesgo de que se produzcan lesiones personales graves:



- Use ropa resistente y ajustada que le permita moverse con completa libertad.
- Use monos o pantalones largos hechos de un material grueso para protegerse las piernas. No lleve pantalones cortos.
- Evite el uso de chaquetas sueltas, bufandas, corbatas, pantalones acampanados o con vueltas, joyas o cualquier prenda o complemento que pueda engancharse en ramas, matorrales o en el accesorio de corte en movimiento.
- Sujétese el cabello por encima de los hombros antes de empezar a trabajar.

- Para reducir el riesgo de sufrir lesiones oculares:



- Siempre utilice gafas o anteojos protectores bien ajustados que tengan protecciones adecuadas en la parte superior y en los laterales, que sean resistentes a los impactos y que porten la marca que indica que cumplen la norma ANSI Z87 "+".
- Lleve un casco protector homologado si hay riesgo de que se lesione la cabeza.

- Es muy importante que mantenga los pies bien apoyados sobre el suelo en todo momento. Como ayuda para mantener los pies apoyados de forma segura y para reducir el riesgo de lesiones mientras trabaja:





- Lleve un calzado resistente con suela antideslizante. Nunca use sandalias, chanclas, zapatos que dejen los dedos al descubierto ni calzado similar.
- Para mejorar el agarre y para proteger mejor sus manos:
 - Siempre use guantes de trabajo gruesos y antideslizantes de cuero o de otro material resistente al desgaste para manipular el cortasetos o las cuchillas de corte.



6.4 Cortasetos

! ADVERTENCIA

- Para reducir el riesgo de descarga eléctrica:
 - No sumerja el cortasetos en agua ni en otros fluidos.
 - Guarde el cortasetos bajo techo.
- Las cuchillas de corte tienen muchos cortadores afilados. El contacto con estos cortadores puede provocar lesiones graves, incluso cuando las cuchillas de corte están detenidas. Para reducir el riesgo de que se produzcan este tipo de lesiones:
 - Mantenga las manos, los pies y cualquier otra parte del cuerpo lejos de las cuchillas de corte.
 - Nunca sujete el material que va a cortar.
 - Nunca retire el material cortado sin soltar el gatillo y quitar la batería antes.
 - Use guantes de trabajo gruesos siempre que manipule el cortasetos o las cuchillas de corte.
 - Nunca toque las cuchillas de corte en movimiento con las manos ni con ninguna otra parte de su cuerpo.
 - Cubra las cuchillas de corte con una funda antes de transportar o guardar el cortasetos, para reducir el riesgo de contacto accidental.
- Este cortasetos a batería está diseñado solo para tareas de mantenimiento en el jardín y paisajismo. Su uso para otros fines puede aumentar el riesgo de lesiones y de daños materiales.
 - No intente cortar ningún material distinto de setos, arbustos, matas o vegetación blanda similar. No corte tallos, ramas ni vegetación de otro tipo con un diámetro superior a 1,3 in (33 mm).
 - Lea y respete las instrucciones de manejo de este manual para conocer las aplicaciones aprobadas,  17.
- Para reducir el riesgo de que el operador o las personas que se encuentran cerca sufran lesiones:
 - Siempre suelte el gatillo y quite la batería antes de armar, transportar, ajustar, inspeccionar, limpiar, reparar, mantener o guardar el cortasetos, y cuando no esté en uso.
 - Suelte el gatillo y saque la batería antes de retirar el material que se haya atascado.
 - Nunca deje el cortasetos desatendido si tiene la batería colocada.
- Si bien es posible conectar ciertos accesorios no autorizados a su cortasetos STIHL, le advertimos de que su uso puede ser extremadamente peligroso. Le recomendamos que utilice únicamente accesorios suministrados por STIHL o expresamente autorizados por STIHL para el uso con este modelo específico.
 - Use solo accesorios suministrados o expresamente aprobados por STIHL.
 - Nunca modifique en modo alguno este cortasetos.
 - Nunca intente modificar ni anular en modo alguno los controles ni los dispositivos de seguridad del cortasetos.
 - Nunca utilice un cortasetos cuyo diseño original se haya modificado o alterado.
- Si el cortasetos se cae o se expone a impactos de fuerza similar:
 - Asegúrese de que no se ha dañado, de que está en buenas condiciones y de que funciona correctamente antes de reanudar el trabajo.
 - Verifique que los controles y los dispositivos de seguridad funcionan correctamente.
 - Revise los LED y compruebe si hay mensajes de error,  11.
 - Asegúrese de que la batería no se ha dañado. Nunca use ni cargue una batería que no funcione correctamente o que esté dañada, agrietada, deformada o pierda líquido.




- Nunca trabaje con una batería o con un cortasetos que hayan sufrido daños o no funcionen correctamente. En caso de duda, lleve el cortasetos y la batería a su concesionario de servicio de STIHL autorizado para que los revisen.
- Si el cortasetos o la batería están dañados, no funcionan correctamente, se han dejado a la intemperie o han caído en agua o en otro líquido, sus componentes podrían no funcionar debidamente y los dispositivos de seguridad podrían haber quedado inoperantes. Para reducir el riesgo de lesiones y de daños materiales:
 - Lleve el cortasetos y la batería a su concesionario autorizado de STIHL para que los revisen antes de seguir utilizándolos.
- Las piezas de repuesto auténticas de STIHL están diseñadas específicamente para su modelo de cortasetos y cumplen los requisitos de rendimiento y de seguridad correspondientes. El uso de piezas no autorizadas o no aprobadas por STIHL puede provocar lesiones graves o mortales, así como daños materiales.
 - STIHL recomienda utilizar únicamente repuestos de STIHL idénticos a las piezas originales.

6.5 Uso del cortasetos

6.5.1 Antes del uso

ADVERTENCIA


- Un uso inadecuado o no autorizado puede causar lesiones y daños materiales.
 - Use el cortasetos solo como se describe en este manual de instrucciones.
- El uso de un cortasetos que se ha modificado, que está dañado, mal ajustado o no se ha mantenido debidamente, o que no se ha montado por completo y de forma segura, puede derivar en un fallo de funcionamiento y aumentar el riesgo de lesiones personales graves o mortales.
 - Nunca utilice un cortasetos que haya sido modificado, que esté dañado o mal mantenido, o que no se haya montado completamente y de forma segura.
 - Antes de empezar a trabajar, compruebe siempre si el cortasetos está en buenas condiciones y si funciona correctamente; preste especial atención al pestillo de retención, al gatillo y a las cuchillas de corte.
 - Asegúrese de que el pestillo de retención y el gatillo se mueven libremente y de que regresan a su lugar cuando los suelta. El gatillo no debe poder oprimirse si no se ha desbloqueado el pestillo de retención.
 - Nunca intente modificar ni anular en modo alguno los controles ni los dispositivos de seguridad.
 - Las cuchillas de corte deben moverse únicamente cuando la batería está colocada, el pestillo de retención desbloqueado y el gatillo, presionado.
 - Si su cortasetos o cualquiera de sus piezas presentan daños o no funcionan correctamente, llévelos a un concesionario de servicio de STIHL autorizado. No use el cortasetos hasta que el problema se haya solucionado.

- Antes de colocar la batería:
 - Compruebe si hay corrosión o materias extrañas en los contactos del compartimento de la batería. Manténgalos limpios.
 - Nunca inserte ni use una batería que esté defectuosa, dañada, agrietada o deformada, o que pierda líquido.
 - Lea y siga las instrucciones sobre el encendido del cortasetos,  15.1.

- Para reducir el riesgo de lesiones graves o mortales provocadas por un arranque accidental:
 - Antes de colocar la batería, asegúrese de que el pestillo de retención está en la posición de bloqueo y el gatillo, en la posición de apagado.
 - Nunca sostenga el cortasetos con el dedo en el gatillo.
 - Suelte el gatillo antes de retirar la batería.



- Quite la batería antes de armar, transportar, ajustar, inspeccionar, limpiar, reparar, mantener o guardar el cortasetos, y siempre que no se esté usando.

- Nunca deje el cortasetos desatendido si tiene la batería colocada.
- Nunca guarde la batería en el cortasetos.
- Antes de encender el cortasetos, dé los siguientes pasos para reducir el riesgo de sufrir lesiones, de perder el control sobre la máquina o de entrar en contacto con el accesorio de corte por accidente:
 - Asegúrese de mantener las cuchillas de corte alejadas de su cuerpo y de obstáculos y objetos de cualquier otro tipo, incluido el suelo.
 - Nunca encienda el cortasetos si hay material entre las cuchillas de corte.
 - Lea y siga las instrucciones sobre el encendido del cortasetos,  15.1.

6.5.2 Sujeción y control del cortasetos

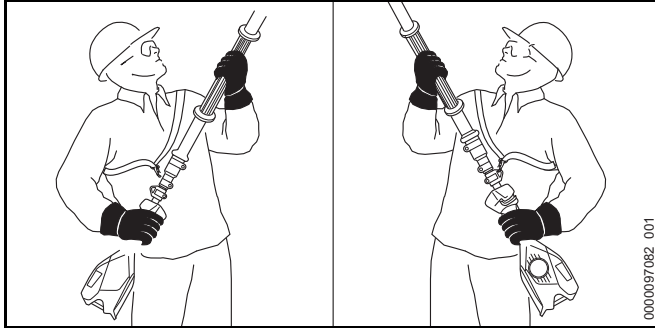
PELIGRO

- Para reducir el riesgo de que el operador o las personas de los alrededores sufran cortes graves o mortales por contacto con las cuchillas:
 - Mantenga las manos, los pies y todas las partes de su cuerpo lejos de las cuchillas de corte.

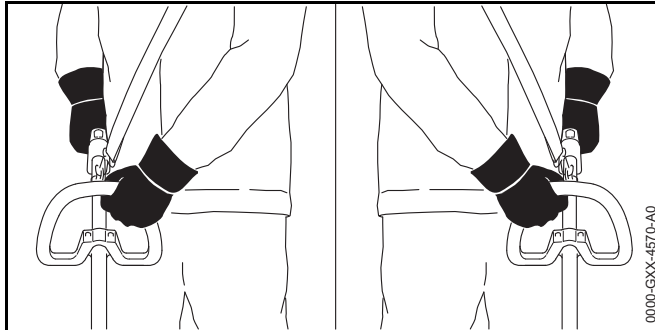


- Mantenga las manos, los pies y todas las partes de su cuerpo lejos de las cuchillas de corte.

HLA 135 / HLA 135 K



HLA 135



⚠ ADVERTENCIA

- Para sujetar con firmeza y controlar correctamente el cortasetos:
 - Mantenga los mangos limpios y secos en todo momento. Protéjalos de la humedad, del alquitrán, del aceite, de la grasa y de la resina.
- Para reducir el riesgo de perder el control y sufrir lesiones graves o mortales, o provocárselas a las personas que se encuentran cerca:
 - Siempre sujete el cortasetos firmemente con las dos manos mientras trabaja, agarrándolo por las superficies marcadas para ello.
 - Agarre los mangos firmemente con todos los dedos, manteniéndolos sujetos entre los dedos índice y pulgar (vea las ilustraciones).

- Coloque el cortasetos en una posición en la que todas las partes de su cuerpo queden lejos del accesorio de corte siempre que esté colocada la batería.
- Nunca use el mango de ajuste de las cuchillas mientras esté cortando.

- Manejar el cortasetos con una sola mano es extremadamente peligroso, porque se puede perder el control sobre el mismo. Para reducir el riesgo de que el operador o las personas de los alrededores sufran lesiones graves o mortales causadas por una pérdida de control:



- Nunca intente manejar el cortasetos con una sola mano.
- Nunca sujete el material que va a cortar. Nunca retire el material cortado sin soltar el gatillo y quitar la batería antes.
- Suelte el gatillo y saque la batería antes de retirar el material que se haya atascado.
- Para reducir el riesgo de que el operador o las personas que se encuentran cerca sufran lesiones graves o mortales causadas por una pérdida de control, asegúrese de mantener el equilibrio y los pies bien apoyados en todo momento:
 - Nunca trabaje sobre una escalera de mano, sobre un techo, un árbol o cualquier otro punto de apoyo que no sea seguro.
 - Tenga especial cuidado cuando trabaje en terrenos con mucha vegetación o húmedos, y preste atención siempre a posibles obstáculos ocultos como tocones, raíces, piedras, hoyos y zanjas.
 - Proceda con extrema precaución cuando trabaje en declives o en terrenos irregulares.
 - Para no perder la estabilidad, retire siempre las ramas caídas, los arbustos, el material cortado y cualquier otro objeto o vegetación que pueda aumentar el riesgo de resbalarse, tropezarse o caer.

- No extienda los brazos más de lo necesario. Mantenga el equilibrio y los pies bien apoyados en todo momento.
- Trabajar sosteniendo una máquina por encima de los hombros puede resultar cansado. Para reducir el riesgo de sufrir lesiones por efecto de la fatiga:
 - Nunca sujete la máquina con su mano posterior colocada sobre el mango de control a una altura superior a la de sus hombros.
 - Fije las cuchillas de corte ajustables al ángulo más adecuado para que la máquina se pueda sostener en una posición más baja y menos cansada, pero que provea un alcance adecuado.
 - Tómese descansos frecuentes.
- Para reducir el riesgo de que el operador o las personas de los alrededores sufran cortes graves o mortales por contacto con las cuchillas:



- Mantenga las manos, los pies y todas las partes de su cuerpo lejos de las cuchillas de corte.

- No toque las cuchillas de corte cuando esté colocada la batería.
- Nunca toque cuchillas de corte en movimiento con las manos ni con ninguna otra parte de su cuerpo.



- Si las cuchillas de corte se atascan en una rama gruesa o en otro obstáculo, suelte el gatillo inmediatamente y retire la batería antes de intentar liberar las cuchillas.

6.5.3 Condiciones de trabajo

⚠ ADVERTENCIA

- Ponga el cortasetos en funcionamiento solamente en condiciones de buena visibilidad y a la luz del día.
 - Posponga los trabajos si el tiempo está ventoso, con neblina, lluvioso o inclemente.
- Su cortasetos es una máquina que debe ser manejada por solamente una persona.
 - No se debe permitir la proximidad de otras personas, especialmente de niños, ni de animales en los lugares donde se esté utilizando la máquina.
 - Apague el cortasetos inmediatamente si se le aproxima alguna persona.
- Para reducir el riesgo de lesiones a los espectadores y usuarios no autorizados:
 - No deje el cortasetos desatendido si tiene la batería colocada.
 - Apague el cortasetos y quite la batería durante los descansos y en cualquier momento en que el cortasetos no se utilice.
- Las chispas que se generan del funcionamiento del cortasetos pueden encender gases, líquidos, vapores, polvos u otros materiales y sustancias combustibles. Para reducir el riesgo de incendio y explosión:
 - No ponga en funcionamiento el cortasetos en un lugar donde haya gases, líquidos, vapores, polvos u otros materiales y sustancias combustibles.
 - Lea y atégase a las recomendaciones dadas por autoridades gubernamentales (por ejemplo, OSHA) para identificar y evitar los peligros que representan gases combustibles, líquidos, vapores, polvos y otros materiales y sustancias combustibles.

- El uso de este cortasetos (incluido el afilado de las cuchillas de corte) puede generar polvo y otras sustancias que contengan productos químicos considerados como causantes de enfermedades respiratorias, cáncer, defectos de nacimiento u otra toxicidad reproductora.
 - Consulte con agencias gubernamentales tales como EPA, OSHA, CARB y NIOSH, al igual que otras fuentes fidedignas sobre materiales peligrosos si desconoce los riesgos asociados con las sustancias particulares que está cortando o con las cuales está trabajando.
- La inhalación de ciertos polvos, especialmente los polvos orgánicos, tales como el moho o polen, puede provocar reacciones alérgicas o asmáticas en las personas sensibles. La inhalación repetida o de grandes cantidades de polvo u otros contaminantes del aire, especialmente los de partículas pequeñas, puede causar enfermedades respiratorias o de otro tipo.
 - Controle el polvo en su fuente, siempre que sea posible.
 - Siempre trabaje con cuchillas de corte afiladas correctamente.
 - En la medida de lo posible, ponga el cortasetos en funcionamiento de modo que el viento o el proceso de operación dirijan cualquier polvo, vapor u otras partículas generados por el cortasetos en dirección contraria al operador.
 - Si no es posible mantener el polvo inhalable y otras partículas a niveles de fondo o aproximadamente de fondo, siempre utilice una mascarilla aprobada por NIOSH y con capacidad adecuada para las condiciones específicas del sitio. Siga las recomendaciones dadas por entidades gubernamentales (por ejemplo: OSHA/NIOSH) y asociaciones laborales y comerciales.
- Si la vegetación que corta o el terreno están cubiertos por una sustancia química, como pesticida o herbicida:
 - Lea y siga las instrucciones y advertencias que acompañan a la sustancia que cubre la vegetación o el terreno.

6.5.4 Instrucciones de manejo

⚠ ADVERTENCIA

- Para reducir el riesgo de que el operador o las personas de los alrededores sufran cortes graves o mortales por contacto con las cuchillas:

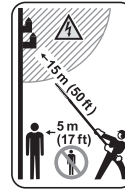


- Mantenga las manos, los pies y todas las partes de su cuerpo lejos de las cuchillas de corte.
 - No toque las cuchillas de corte cuando esté colocada la batería.
 - Nunca toque cuchillas de corte en movimiento con las manos ni con ninguna otra parte de su cuerpo.
 - Nunca sujete el material que va a cortar. Nunca retire el material cortado sin soltar el gatillo y quitar la batería antes.
 - Suelte el gatillo y saque la batería antes de retirar el material que se haya atascado.
- Para reducir el riesgo de lesiones graves provocadas por un arranque accidental de la máquina:
 - No toque las cuchillas de corte con la mano ni con ninguna otra parte de su cuerpo cuando la batería está colocada, tampoco cuando las cuchillas de corte no estén girando.



- Si en las cuchillas de corte se atascan ramas u otros materiales, apague el cortasetos de inmediato y retire la batería antes de intentar liberar las cuchillas.

- Las cuchillas de corte siguen moviéndose durante un periodo breve de tiempo una vez que se suelta el gatillo.
 - Espere a que las cuchillas de corte se detengan antes de caminar con el cortasetos o de bajarlo.
- En caso de emergencia:
 - Apague el motor de inmediato y retire la batería.
- El contacto con objetos extraños durante el corte puede dañar las cuchillas y hacer que se agrieten, se astillen, se rompan o se atoren. Para reducir el riesgo de sufrir lesiones personales graves o incluso mortales provocadas por una pérdida del control sobre la máquina, y para disminuir el riesgo de que se produzcan daños en el cortasetos:
 - Inspeccione el material que va a cortar y la zona que lo rodea en busca de piedras, alambres de vallas, metales u otros objetos extraños antes de empezar a trabajar. No use el cortasetos en zonas en las que las cuchillas de corte puedan entrar en contacto con este tipo de materiales.
 - Tenga especial cuidado cuando corte cerca de o junto a vallas de alambre. No toque el alambre con las cuchillas.
 - Cuando trabaje cerca del suelo, asegúrese de que no entren arena, grava ni piedras entre las cuchillas de corte.
 - No corte ninguna zona de un seto, arbusto, mata u otra vegetación que no pueda ver.
- La herramienta motorizada tiene un alcance muy amplio. Para reducir el riesgo de que las personas que se encuentran en los alrededores sufran lesiones graves o incluso mortales causadas por la caída de objetos o por un contacto accidental con las cuchillas de corte en movimiento de su herramienta motorizada:



- Mantenga siempre una distancia de como mínimo 17 pies (5 m) con respecto a otras personas cuando use su herramienta motorizada.
- No permita que otras personas se acerquen a la zona general de trabajo.
- Cuando pade la parte superior de un seto más alto, mire con frecuencia al otro lado del seto para cerciorarse de que no hay personas, animales ni obstáculos de ningún tipo.
- Revise las cuchillas de corte con frecuencia y regularidad durante el trabajo, o inmediatamente si nota cambios en el comportamiento de la máquina durante el corte:
 - Apague el cortasetos y retire la batería.
 - Compruebe le estado, el apriete y el filo de las cuchillas de corte.
 - Revise el cortasetos y compruebe si tiene piezas sueltas (tuercas, tornillos, etc.), o cuchillas agrietadas, dobladas, deformadas o dañadas. Cambie las cuchillas que estén dañadas antes de usar de nuevo el cortasetos.
 - Siempre mantenga las cuchillas de corte bien afiladas.
- Para reducir la fricción y la acumulación de suciedad en las cuchillas, que son factores que pueden impedir el correcto funcionamiento del cortasetos:
 - STIHL le recomienda que rocíe las cuchillas de corte con un disolvente de resinas, como el lubricante y eliminador de resinas STIHL, antes de comenzar a trabajar.

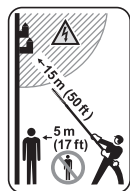
⚠ PELIGRO

- La electricidad puede saltar de un punto a otro formando arcos en el aire. Los niveles altos de voltaje aumentan la distancia sobre la cual la electricidad puede formar arcos.

La electricidad también puede conducirse por las ramas de un árbol, especialmente si estas están húmedas. Para reducir el riesgo de electrocución:



- Nunca utilice este cortasetos cerca de alambres o cables que puedan tener corriente eléctrica. Preste atención y compruebe si hay alambres o cables ocultos antes de empezar a trabajar.
- Nunca corte cerca de cables de alimentación eléctrica.
- No confíe en el aislamiento contra descargas eléctricas del cortasetos. Sujete la herramienta motorizada únicamente por las superficies de agarre aisladas, porque las cuchillas de corte podrían entrar en contacto con cables ocultos.



- Mantenga una distancia de al menos 50 pies (15 m) entre el cortasetos (incluidas las ramas con las que está en contacto) y cualquier línea eléctrica que esté bajo tensión.
- Antes de trabajar a una distancia menor, póngase en contacto con la compañía eléctrica y asegúrese de que se ha interrumpido el suministro.

7 Seguridad de la batería

7.1 Advertencias e instrucciones

⚠ ADVERTENCIA

- Lea y respete las medidas de seguridad que figuran en la batería, así como todas las advertencias e instrucciones que se adjuntan con ella.

- El uso de baterías no autorizadas puede causar daños en la herramienta motorizada y provocar incendios, explosiones, lesiones personales y daños materiales.
 - Use únicamente baterías auténticas de las gamas AR o AP de STIHL con esta herramienta motorizada.
- La utilización de baterías de las gamas AR o AP de STIHL para cualquier fin que no sea alimentar los productos de STIHL podría ser extremadamente peligroso.
 - Use las baterías de las gamas AR y AP de STIHL solo para proporcionar alimentación a productos de STIHL compatibles.
- El uso de cargadores no autorizados puede causar daños en la batería y provocar incendios, explosiones, lesiones y daños materiales.
 - Para cargar las baterías de la gama AP de STIHL, utilice siempre cargadores STIHL AL 101, AL 300 o AL 500 auténticos.
 - Para cargar las baterías de mochila de la gama AR de STIHL, utilice siempre cargadores AL 300 o AL 500 de STIHL auténticos.
- La batería tiene funciones y dispositivos de seguridad que, de dañarse, pueden provocar que la batería genere calor, se rompa, pierda líquido, se incendie o explote.



- Nunca permita que la temperatura de la batería supere los 212 °F (100 °C).
- Nunca prenda fuego a la batería, ni la coloque sobre o junto a fuegos, estufas u otro tipo de objetos que alcancen temperaturas muy altas.
- Nunca use ni cargue una batería que no funcione correctamente, que esté dañada, agrietada, deformada o pierda líquido.
- Nunca abra, desmonte ni golpee la batería; no la deje caer ni la exponga a impactos fuertes o a daños de cualquier otro tipo.
- Nunca exponga la batería a microondas ni a presiones elevadas.
- Nunca introduzca objetos en las ranuras de ventilación de la batería.

- Las temperaturas extremas pueden hacer que la batería genere calor, se rompa, pierda líquido, se incendie o explote, lo que podría causar lesiones graves o fatales y daños materiales. La exposición a temperaturas no incluidas en el rango recomendado puede contribuir además a acortar la vida útil de la batería y a empeorar su rendimiento.



- Use y guarde la batería únicamente a una temperatura ambiente de entre 14 °F y 122 °F (-10 °C y 50 °C).
- Nunca guarde la batería en un lugar expuesto a la luz solar directa ni dentro de un vehículo si la temperatura exterior es elevada.

- Para reducir el riesgo de que se produzcan lesiones personales y daños materiales en caso de que la batería humee, emita un olor inusual o se caliente más de lo habitual durante el uso, la carga o el almacenamiento:

- Deje de usar o de cargar de la batería inmediatamente. Póngase en contacto con las autoridades en caso de incendio o explosión.

- Para reducir el riesgo de que se produzca un cortocircuito, que podría causar, a su vez, una descarga eléctrica, un incendio o una explosión:



- Asegúrese de mantener secas las baterías de mochila AR 900, 1000, 2000, 3000 de STIHL. Protéjalas de la lluvia, del agua y de otros líquidos. Si llueve o el grado de humedad es muy elevado, cubra la batería AR 1000, 2000, 3000 de STIHL con la funda para lluvia antes de empezar a trabajar.



- Si una batería de la gama AP o AR L de STIHL ha estado expuesta a la lluvia durante el trabajo, sáquela de la herramienta y déjela secar bajo techo. Asegúrese de que está completamente seca antes de cargarla o de usarla.
- Nunca sumerja en agua ni en ningún otro líquido una batería de STIHL.
- Nunca puentee los terminales de la batería con alambres ni con otros objetos metálicos.
- Cuando no la esté usando, mantenga la batería alejada de objetos metálicos (p. ej., presillas para papel, clavos, monedas, llaves).
- Nunca transporte ni guarde la batería en un recipiente de metal.
- Guarde la batería bajo techo, en un lugar seco.
- Nunca guarde la batería en entornos húmedos o corrosivos, ni en condiciones que podrían provocar corrosión en los componentes metálicos.
- Proteja la batería de la exposición a productos corrosivos, como las sustancias químicas utilizadas en el jardín o las sales descongelantes.
- Proteja la batería de la exposición a líquidos conductores como el agua salada.
- No intente reparar, abrir ni desmontar la batería. No contiene ninguna pieza que el usuario pueda reparar sin ayuda.
- El líquido que contiene la batería, y que puede derramarse en determinadas circunstancias, es potencialmente nocivo y puede provocar irritaciones en los ojos y en la piel, quemaduras químicas y otras lesiones graves.
 - Evite el contacto con la piel y con los ojos.
 - Para recoger el líquido de batería derramado, use un producto absorbente inerte, como la arena.
 - En caso de contacto accidental, limpie inmediatamente y a fondo la zona afectada con un jabón suave y agua.

- Si le entra líquido de batería en los ojos: no se los frote. Aclárese los ojos con agua corriente durante al menos 15 minutos y acuda al servicio médico más cercano.
- Si la batería se prende fuego, puede resultar peligrosa. Para reducir el riesgo de que se produzcan lesiones personales graves y daños materiales, en caso de incendio:
 - Evacue la zona. El fuego se puede extender rápidamente. Manténgase lejos de cualquier vapor que se genere y respete una distancia de seguridad suficiente.
 - Avise a los bomberos.
 - Aunque se puede usar agua para apagar un incendio de batería, es preferible utilizar un extintor de incendios de polvo químico multiuso.
 - El cuerpo de bomberos le informará sobre la forma adecuada de deshacerse de una batería incendiada.

8 Mantenimiento, reparación y almacenamiento

8.1 Advertencias e instrucciones

⚠ ADVERTENCIA

- El cargador, la batería y el cortasetos no contienen piezas que el usuario esté autorizado a reparar. Para reducir el riesgo de incendios, descargas eléctricas o lesiones de otro tipo, así como de años materiales:
 - Los usuarios deben realizar únicamente los trabajos de mantenimiento y limpieza que se describen en este manual.
 - Respete escrupulosamente las instrucciones de limpieza y mantenimiento que se dan en las secciones correspondientes de este manual de instrucciones.
 - STIHL le recomienda que encargue la realización de los trabajos de reparación a un concesionario de servicio STIHL autorizado.

- Un arranque accidental puede provocar lesiones o daños materiales. Para reducir el riesgo de lesiones y de daños materiales provocados por un arranque accidental:



- Quite la batería antes de inspeccionar el cortasetos o de realizar cualquier tarea de limpieza, mantenimiento o reparación, así como antes de guardar el cortasetos y cuando no vaya a utilizarlo.
- Las cuchillas de corte son las únicas piezas del cortasetos que el usuario puede mantener. Un mantenimiento adecuado ayudará a mantener intacto el rendimiento de corte y a reducir el riesgo de lesiones.
 - Use guantes de trabajo gruesos y antideslizantes cuando manipule las cuchillas de corte.
 - Mantenga las cuchillas de corte limpias y afiladas.
 - Después de usar la máquina, apriete siempre todas las tuercas, los pernos y los tornillos.
 - Nunca repare las cuchillas de corte dañadas aplicándoles soldadura, enderezándolas o modificando su forma. Esto puede provocar un desgaste excesivo o despaseo en partes de las cuchillas de corte, u otro daño que podría derivar en un fallo de funcionamiento o en una rotura durante el funcionamiento y causar lesiones graves o mortales.
- El uso de piezas no autorizadas o no aprobadas por STIHL puede provocar lesiones graves o mortales, así como daños materiales.
 - Para llevar a cabo tareas de reparación o mantenimiento, STIHL recomienda utilizar únicamente piezas de repuesto STIHL idénticas a las originales.
- Para reducir el riesgo de cortocircuitos e incendios:
 - Mantenga las ranuras de la batería libres de cuerpos extraños. Límpielas siempre que sea necesario con un paño seco o con un cepillo suave y seco.
- La caja de engranajes se calienta durante el funcionamiento de la máquina. Para reducir el riesgo de quemaduras:



- Deje que la caja de engranajes se enfríe antes de inspeccionarla o lubricarla y antes de cambiar un accesorio de corte. Evite tocar la caja de engranajes cuando esté caliente luego del funcionamiento.
- Un almacenamiento incorrecto puede resultar en un uso no autorizado, provocar daños en el cortasetos, en la batería y en el cargador y aumentar el riesgo de incendio, descarga eléctrica y otras lesiones o daños materiales.
 - Retire la batería del cortasetos antes de almacenarlo.
 - Nunca guarde el cortasetos ni el cargador con la batería colocada.
 - Guarde el cortasetos, la batería y el cargador bajo techo, en un lugar seco y seguro al que no puedan acceder niños ni otras personas no autorizadas.
 - Nunca guarde la batería en el cortasetos, en el cargador ni en un contenedor metálico, ni en un envase junto con objetos metálicos (por ejemplo, presillas para papel, clavos, monedas, llaves).
- Para reducir el riesgo de descargas eléctricas y de otras lesiones personales, así como de daños materiales al instalar el cargador y el soporte de pared:
 - Asegúrese de que no pasan cables eléctricos, tuberías ni otros conductos de servicio por detrás de la pared donde va a montar el soporte.
 - Monte el cargador y el soporte de pared solo como se describe en este manual.

9 Antes de empezar a trabajar

9.1 Preparación del cortasetos para el funcionamiento

Antes de empezar a trabajar:

- ▶ Cargue por completo la batería, 10.2.
- ▶ Monte el cortasetos, 13.

- ▶ Monte el mango circular (solo HLA 135), 13.2.
- ▶ Ajuste el ángulo de las cuchillas de corte, 17.1.
- ▶ Póngase el arnés y ajústelo, 17.2.
- ▶ Compruebe si los controles funcionan correctamente y si están en buen estado, 16.1.
- ▶ Compruebe si el accesorio de corte presenta daños o problemas de otro tipo.

10 Carga de la batería

10.1 Preparación del cargador para el funcionamiento

ADVERTENCIA

Lea y atégase a las precauciones de seguridad dadas en la batería y en el cargador y todas las advertencias e instrucciones que acompañan a dichos productos. Para reducir el riesgo de cortocircuito, que podría provocar una descarga eléctrica, un incendio y una explosión, asegúrese de que el cargador y sus componentes estén secos y no estén dañados; opere el cargador puertas adentro a la temperatura ambiente adecuada.

ADVERTENCIA

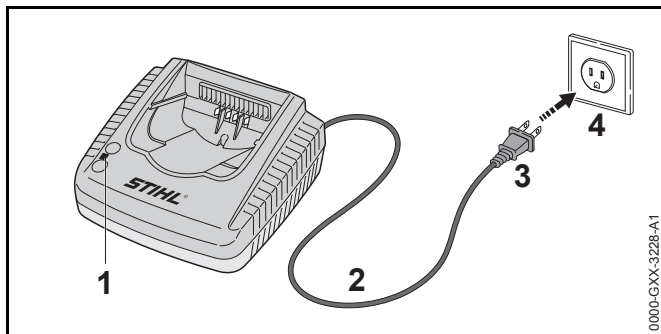
Un circuito eléctrico doméstico típico suministra entre 15 y 20 amperios. Un cargador STIHL AL 500 consume aproximadamente 4,8 A. Un cargador AL 300 consume aproximadamente 4,4 A. Para reducir el riesgo de incendios causados por la sobrecarga de un circuito eléctrico:

- ▶ Compruebe que el circuito eléctrico tenga capacidad suficiente para suministrar el consumo eléctrico anticipado antes de cargar la batería.
- ▶ Cargue varias baterías una por una, o en circuitos separados, a menos que se sepa que el circuito es capaz de soportar el consumo total anticipado de varios cargadores.

! ADVERTENCIA

Dado que el cargador se calienta durante el proceso de carga, no haga funcionar el cargador sobre superficies que puedan incendiarse o en un lugar donde haya gases, líquidos, vapores, polvo u otros materiales y sustancias combustibles.

Para preparar el cargador para el funcionamiento:



- Conecte el enchufe (3) a un tomacorriente de pared (4) debidamente instalado que suministre el voltaje y frecuencia indicados en la chapa de información del cargador.

El cargador ejecutará una autoprueba inmediatamente después de enchufarlo. El LED del cargador (1) se iluminará en verde durante 1 segundo aproximadamente, y luego en rojo por un lapso breve hasta apagarse. Una vez que el LED se apaga, la autoprueba ha finalizado y el cargador está listo para cargar la batería.

- Ubique el cordón eléctrico (2) como para que no se lo pise, cause tropezos, esté en contacto con objetos cortantes o partes móviles o, de otro modo sujeto, a daño o esfuerzo.

10.2 Carga

! ADVERTENCIA

Las baterías STIHL tienen características y dispositivos de seguridad que, de dañarse, pueden provocar que la batería genere calor, se rompa, pierda líquido, se incendie o

explote. Nunca cargue una batería que funcione mal o que esté dañada, deformada o tenga fugas, ni utilice un cargador averiado. Nunca inserte una batería húmeda ni un adaptador de batería que esté mojado. Nunca use un cargador que esté mojado. Respete todas las advertencias e instrucciones específicas de su batería y de su cargador.

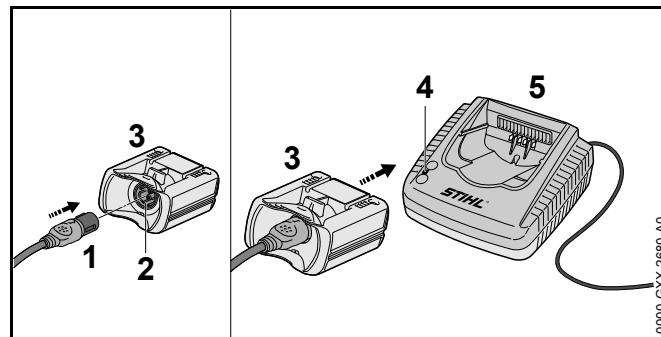
La batería no se suministra completamente cargada de fábrica. STIHL le recomienda que cargue la batería por completo antes de usarla por primera vez.

Utilice el cargador siempre bajo techo, en habitaciones secas y a temperaturas ambiente de entre 41 °F y 104 °F (5 °C y 40 °C).

La batería se calienta durante el funcionamiento de la herramienta motorizada. Si se conecta al cargador una batería caliente, puede ser necesario esperar a que se enfríe para que empiece a cargarse. El proceso de carga solo comienza una vez que la batería se ha enfriado lo suficiente.

El tiempo de carga depende de varios factores, tales como el estado de la batería y la temperatura ambiente. Si quiere ver una lista completa de los tiempos de carga aproximados, visite www.stihl.com/charging-times.

Para cargar una batería AR:



- Inserte el enchufe del cable de conexión (1) en el tomacorriente (2) del adaptador AP (3), hasta el tope.

- ▶ Inserte el adaptador AP en el cargador (5) hasta que haga tope.

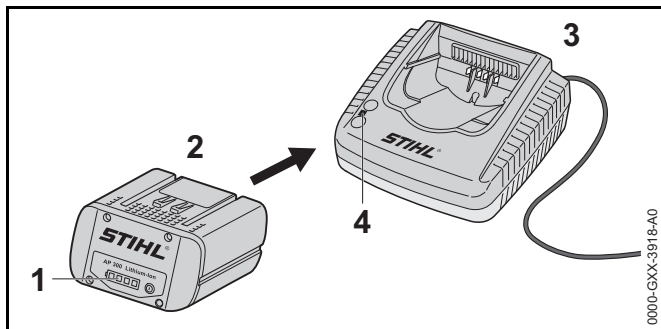
El LED del **cargador** (4) se ilumina en verde cuando la batería se está cargando.

Los LED de la **batería AR** se iluminan en verde e indican el estado de carga.

Cuando los LED de la batería se apagan, el proceso de carga ha finalizado y el cargador se apaga automáticamente. El adaptador AP se puede retirar del cargador.

- ▶ Desenchufe el cordón eléctrico del tomacorriente cuando el cargador no se vaya a usar durante un periodo prolongado.
- ▶ Cargue las baterías tipo mochila AR de STIHL únicamente con cargadores de las gamas AL 300 o AL 500 de STIHL auténticos.

Para cargar una batería AP:



- ▶ Inserte la batería (2) en el cargador (3) hasta que haga tope.

El LED del **cargador** se ilumina en verde cuando la batería se está cargando.

Los LED (1) de la **batería AP** se iluminan en verde e indican el estado de la carga.

Cuando los LED de la batería se apagan, el proceso de carga ha finalizado y el cargador se apaga automáticamente. La batería AP se puede retirar del cargador.

- ▶ Desenchufe el cordón eléctrico del tomacorriente cuando no esté usando el cargador.
- ▶ Para cargar las baterías de la gama AP de STIHL, utilice siempre cargadores STIHL AL 101, AL 300 o AL 500 auténticos.

11 Diagnóstico por LED y señales acústicas

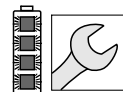
11.1 Batería AP de STIHL

11.1.1 Estado de la batería

Cuatro LED muestran el estado de la batería. Estos LED pueden encenderse o destellar en verde o rojo.



Si un LED se enciende en rojo continuamente, la batería está demasiado caliente o demasiado fría. Deje que la batería se caliente o se enfríe gradualmente a una temperatura ambiente de aproximadamente 10 °C a 20 °C (50 °F a 68 °F).



Si los cuatro LED destellan en rojo: la batería está averiada y debe reemplazarse. No intente cargar, usar ni guardar la batería.

11.1.2 Estado de la herramienta motorizada

Los mismos LED en la batería indican el estado de la herramienta motorizada.

Si tres LED se encienden en rojo continuamente, el motor de la herramienta motorizada está demasiado caliente. Deje que el motor se enfríe.

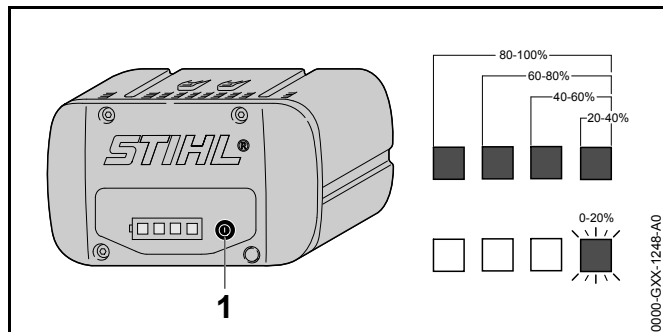
Si tres LED destellan en rojo cuando activa el gatillo, la herramienta motorizada tiene un defecto eléctrico. No utilice la herramienta motorizada. Solicite a un concesionario de servicio STIHL autorizado que la revise antes de usarlo.

Para información de localización de averías, 23.

11.1.3 Estado de carga

Los LED en la batería también muestran el estado de carga de la batería.

Para determinar el estado de carga de la batería:



- Presione el botón (1) en la batería. Los LED de la batería se encenderán o destellarán en verde por unos 5 segundos e indicarán el estado de carga (vea la ilustración).

Por ejemplo:

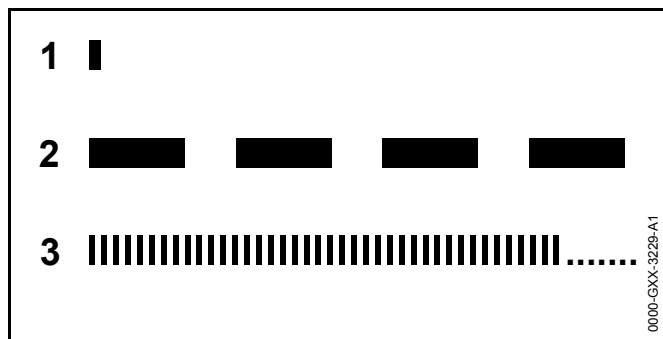
Si cuatro LED se encienden en verde continuamente, la carga está completa.

Si un LED destella en verde, queda menos del 20 % de la carga.

11.2 Batería de mochila STIHL AR

11.2.1 Estado de la batería

Seis LED y una señal acústica denotan el estado de la batería.



1 Un pitido breve

La señal acústica funciona como debe hacerlo.

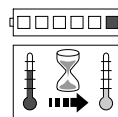
2 Cuatro o seis tonos largos (AR L)

La batería tiene poca carga. Recargue la batería.

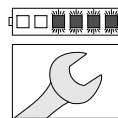
3 Sucesión rápida de pitidos breves

Hay una falla en la batería. La señal se detiene automáticamente al cabo de unos segundos. No intente cargar, usar ni guardar la batería. Sustituya la batería.

Estos LED pueden encenderse o destellar en verde o rojo.



Si un LED se enciende en rojo continuamente, la batería está demasiado caliente o demasiado fría. Deje que la batería se caliente o se enfríe gradualmente a una temperatura ambiente de aproximadamente 10 °C a 20 °C (50 °F a 68 °F).



Si los cuatro LED derechos destellan en rojo y se escucha una sucesión rápida de pitidos breves: la batería está averiada y es necesario reemplazarla. No intente cargar, usar ni guardar la batería.

- Sea consciente de que su capacidad para oír la señal acústica puede verse disminuida si usa protectores para oídos.

11.2.2 Estado de la herramienta motorizada

Cuando la batería está conectada con la herramienta motorizada, los mismos LED en la batería indicarán el estado de la herramienta motorizada.

Si tres LED se encienden en rojo continuamente, el motor de la herramienta motorizada está demasiado caliente. Deje que el motor se enfríe.

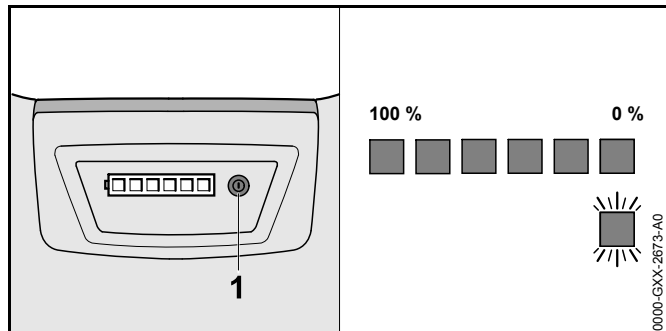
Si tres LED destellan en rojo cuando activa el gatillo, la herramienta motorizada tiene un defecto eléctrico. No utilice la herramienta motorizada. Solicite a un concesionario de servicio STIHL autorizado que la revise antes de usarlo.

Para información de localización de averías, 23.

11.2.3 Estado de carga

Los LED y señales acústicas en la batería también muestran el estado de carga de la batería.

Para determinar el estado de carga de la batería:



► Pulse el botón (1) en la batería tipo mochila.

Se escucha un pitido breve. Los LED de la batería se encenderán o destellarán en verde por unos 5 segundos e indicarán el estado de carga (vea la ilustración).

Por ejemplo:

Si seis LED se encienden en verde continuamente, la carga está completa.

Si un LED verde destella y se escuchan cuatro pitidos largos: resta menos de un 20 % de carga.

12 Batería de mochila STIHL AR

12.1 Colocación del cordón de conexión en posición

! ADVERTENCIA

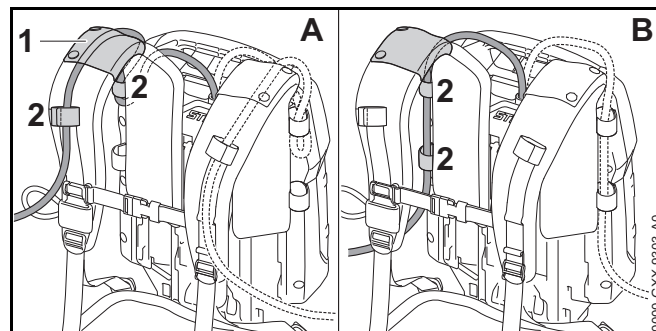
Para reducir el riesgo de lesionarse por tropezar con el cordón de conexión o por la pérdida del control de la herramienta motorizada, siempre asegure el cordón de conexión con el cierre de velcro de la manera descrita a continuación. Siempre coloque y asegure el cordón de conexión de manera que no interfiera con las técnicas de

uso adecuado descritas en el manual de instrucciones de la herramienta o con su capacidad de mantener el control de la misma.

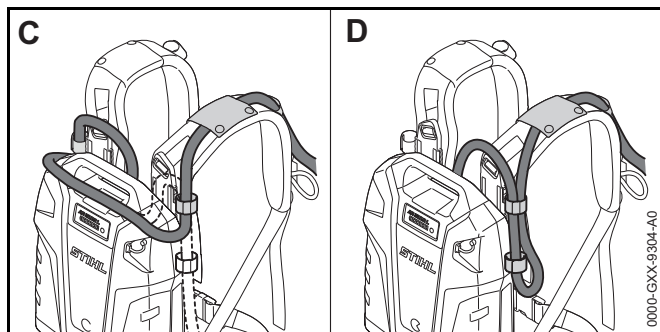
! ADVERTENCIA

Coloque el cordón de manera que se impida que entre en contacto con el accesorio de corte/trabajo o que se enganche en algún objeto, lo cual podría hacerle perder el equilibrio o el control de la herramienta motorizada y dar por resultado lesiones personales graves y daños a la propiedad.

El cordón de conexión puede asegurarse en posiciones diferentes y ajustarse según la estatura y el alcance del operador.



El cordón de conexión puede pasarse por la guía (1) en la tira para el hombro (ilustración A) o a lo largo de la placa trasera (ilustración B). Asegure el cordón de conexión al arnés y con los cierres de velcro (2). Siempre asegure el cordón de conexión utilizando la guía o cierres de velcro hacia el mismo lado del cuerpo en el cual se sujeta y se controla la herramienta motorizada. No permita que el cordón de conexión penda delante de su cuerpo ni a su costado.



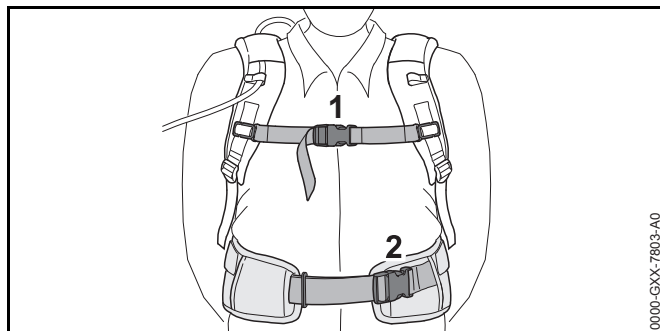
La longitud del cordón de conexión puede ajustarse por medio de formar un lazo por la parte superior (Ilust. C) o por el costado (Ilust. D) de la batería tipo mochila, fijándolo con cierres de velcro.

12.2 Colocación del arnés

! ADVERTENCIA

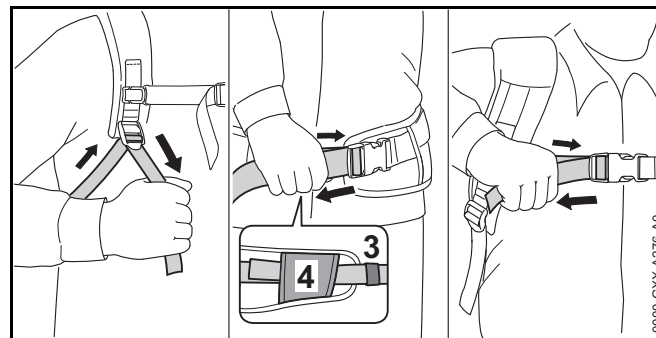
El operador deberá poder despojarse de la batería tipo mochila rápidamente en caso de emergencia. En caso de emergencia, desabroche y quítese el cinturón y la tira de pecho rápidamente, antes de dejar caer la batería al suelo.

Para asegurar una colocación adecuada:



- ▶ Colóquese la batería tipo mochila sobre la espalda.
- ▶ Abroche y ajuste el cinturón (2) de modo que repose de manera cómoda pero segura sobre sus caderas.

- ▶ Abroche la tira para el pecho (1) y ajústela de modo que quede cómoda pero segura por su pecho.



- ▶ Ajuste las tiras del arnés de modo que la almohadilla de la placa quede ajustada y segura contra su espalda.
- ▶ Siempre colóquese el arnés de la batería sobre los dos hombros.
- ▶ Pase el extremo del cinturón por las argollas (3) y (4).
- ▶ Para quitarse el arnés, desabroche las hebillas de soldado rápido del cinturón y de la tira para el pecho y afloje las tiras del arnés por medio de levantar los ajustadores deslizantes.

Para ayudar a reducir el riesgo de lesionarse en caso de emergencia, practique la apertura rápida del sujetador del cinturón y de la correa de pecho, el soldado de las correas de hombro y despojarse de la batería.

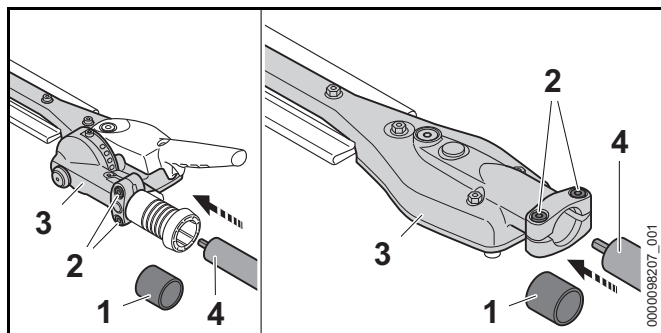
INDICACIÓN

Para evitar daños, coloque la batería suavemente en el suelo cuando esté practicando. No permita que la batería caiga al suelo ni la lance.

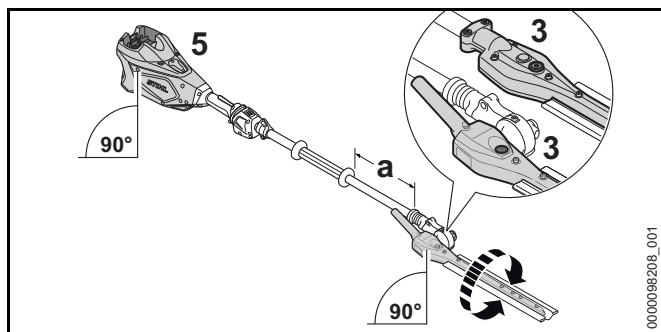
13 Armado del cortasetos

13.1 Montaje de la caja de engranajes

- ▶ Apague el cortasetos, 15.2.
- ▶ Retire la batería, 14.2.



- ▶ Retire la tapa (1) del extremo redondo del tubo de mando (4).
- ▶ Afloje los tornillos (2).
- ▶ Encaje la caja de engranajes (3) en el tubo de mando de modo que quede segura (4).



- ▶ Alinee la carcasa del motor (5) y la caja de engranajes (3) como se muestra en la ilustración. Asegúrese de que la abertura de la batería y el tapón roscado de la parte superior del accesorio de corte quedan hacia arriba.
- ▶ Antes de apretar cualquier tornillo, confirme las siguientes medidas:
 - HLA 135 con un accesorio de corte ajustable: a = aproximadamente 21 in (53 cm)
 - HLA 135 K con un accesorio de corte ajustable: a = aproximadamente 15 in (38 cm)
 - HLA 135 K con un accesorio de corte no ajustable: a = aproximadamente 13,4 in (34 cm)

- ▶ Apriete los tornillos (2).

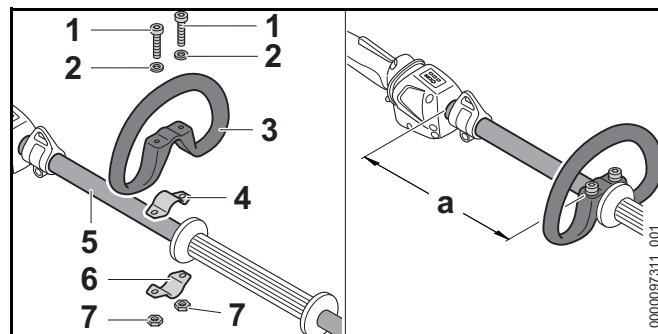
13.2 Montaje del mango circular (solo HLA 135)

⚠ ADVERTENCIA

Para reducir el riesgo de lesiones causadas por una pérdida de control sobre la máquina, asegúrese de que el mango circular está montado y ajustado correctamente antes de empezar a trabajar.

Para montar el mango circular:

- ▶ Apague el cortasetos, 15.2.
- ▶ Retire la batería, 14.2.





- ▶ Coloque una abrazadera (4) en el mango circular (3).
- ▶ Coloque la otra abrazadera (6) contra la parte inferior del tubo de mando (5) y alinee los orificios del mango circular y de las abrazaderas.
- ▶ Coloque arandelas (2) en los tornillos (1) e introduzca los tornillos por los orificios del mango circular y de las abrazaderas.
- ▶ Deslice el mango circular a lo largo del tubo de mando hasta que $a = 8$ in (20 cm).
- ▶ Coloque las tuercas cuadradas (7) y apriételas hasta que queden firmes. Asegúrese de que el mango está bien fijo y de que no se va a mover durante el trabajo.


14 Colocación y extracción de la batería.

14.1 Colocación de la batería

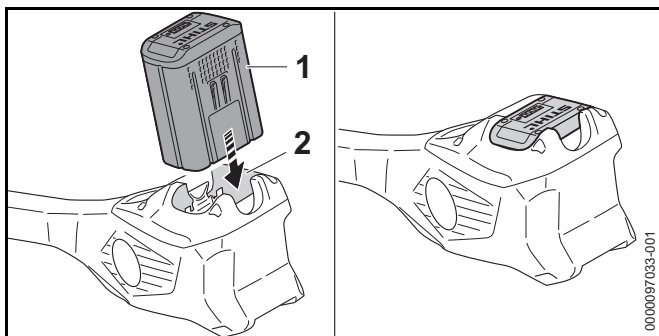
⚠ ADVERTENCIA

Nunca use una batería que esté defectuosa, dañada, agrietada, que pierda líquido o esté deformada,  7.1. Use y guarde la batería únicamente a una temperatura ambiente de entre 14 °F y 122 °F (- 10 °C y 50 °C),  7.1.


⚠ ADVERTENCIA

Para reducir el riesgo de activación accidental, nunca guarde la batería en el cortasetos,  20.2.

Para colocar la batería:



- ▶ Apoye el cortasetos sobre una superficie nivelada.
- ▶ Meta la batería (1) en su compartimiento (2), hasta que haga tope.
La batería ha quedado colocada correctamente si se ha escuchado un clic y si la batería ha quedado al ras con la parte superior de la carcasa. En esta posición, hay contacto eléctrico entre la batería y el cortasetos.

Las baterías nuevas no están completamente cargadas. Por eso, STIHL recomienda cargarlas por completo antes de usarlas por primera vez,  10.2.

14.2 Extracción de la batería

⚠ ADVERTENCIA

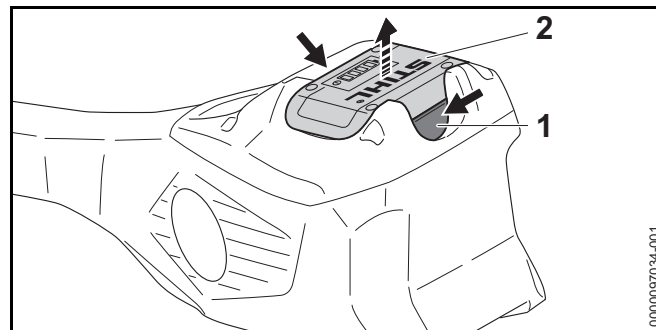
Para reducir el riesgo de lesiones graves provocadas por una activación accidental, retire la batería siempre antes de armar, transportar, ajustar, limpiar, reparar, mantener o guardar el cortasetos, y cuando no esté en uso.

⚠ ADVERTENCIA

Saque la batería con cuidado, para evitar que se caiga y provoque lesiones o daños materiales.

Para quitar la batería:

- ▶ Suelte el gatillo.
- ▶ Apoye el cortasetos sobre una superficie nivelada.
- ▶ Coloque la mano detrás de la batería.



- ▶ Apriete las palancas de bloqueo (1) para sacar la batería (2) de su compartimiento.



INDICACIÓN

Evite exponer la batería a un calor excesivo o a la luz solar directa durante períodos prolongados. El uso o el almacenamiento a temperaturas no incluidas en el rango de temperatura ambiente recomendado pueden reducir el rendimiento y/o la vida útil de la batería.

15 Encendido y apagado del cortasetos

15.1 Encendido

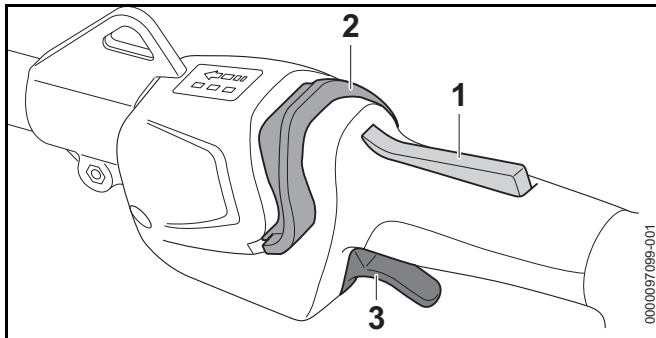
⚠ ADVERTENCIA

Nunca use el cortasetos si se ha modificado o si está dañado, mal ajustado o mal reparado, si no se ha montado debidamente y por completo o si no funciona correctamente,  6.4. Para reducir el riesgo de sufrir lesiones, use siempre ropa adecuada y vestimenta protectora, incluida protección adecuada para los ojos, cuando utilice el cortasetos,  6.3.

Antes de encender la máquina:

- ▶ Asegúrese de que tiene los pies bien apoyados.
- ▶ Mantenga una posición erguida.
- ▶ Sujete y maneje el cortasetos siempre agarrando con una mano firmemente el mango de control y con la otra mano, el mango circular o frontal.

Para encender el cortasetos:



- ▶ Apriete y mantenga presionado el bloqueo del gatillo (1).
- ▶ Mientras mantiene apretado el bloqueo del gatillo, deslice el pestillo de retención (2) hacia adelante con el pulgar y suéltelo.
Los LED indican el nivel de potencia.
- ▶ Apriete el gatillo (3) con el dedo índice.
Las cuchillas de corte comenzarán a moverse.

El motor no se encenderá a menos que se haya apretado el bloqueo del gatillo, se haya deslizado el pestillo de retención hacia delante y se haya oprimido el gatillo.

Si el gatillo y su bloqueo se sueltan, los LED seguirán destellando durante aproximadamente 1 segundo. Mientras los LED destellen, el cortasetos podrá encenderse de nuevo sin necesidad de deslizar el pestillo de retención hacia delante.

15.2 Apagado

⚠ ADVERTENCIA

Para reducir el riesgo de sufrir lesiones provocadas por una activación accidental o por un uso no autorizado, apague el motor y retire la batería antes de transportar el cortasetos o de depositarlo en el suelo.

Para apagar el cortasetos:

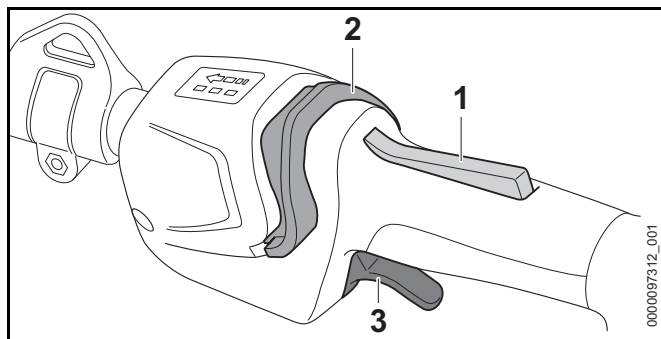
- ▶ Suelte el gatillo y su bloqueo, para que el gatillo vuelva a la posición de bloqueo. En la posición de bloqueo, el bloqueo del gatillo evita la activación del gatillo. La activación del cortasetos también queda bloqueada electrónicamente por medio del pestillo de retención una vez que los LED dejan de parpadear.

Las cuchillas de corte seguirán moviéndose por un tiempo breve una vez que se suelte el gatillo. Evite el contacto después de soltar el gatillo y cuando coloque el cortasetos en el suelo.

16 Revisión de los controles

16.1 Prueba de los controles

Antes de comenzar a trabajar, confirme que el bloqueo del gatillo (1), el pestillo de retención (2) y el gatillo (3) están libres de daños y que funcionan correctamente.



Bloqueo del gatillo (1), pestillo de retención (2) y gatillo (3)

⚠ ADVERTENCIA

Para reducir el riesgo de lesiones graves o mortales, mantenga las manos, los pies y cualquier otra parte de su cuerpo lejos de las cuchillas de corte. No toque las cuchillas de corte cuando esté colocada la batería. Nunca toque cuchillas de corte en movimiento con las manos ni con ninguna otra parte del cuerpo, 6.5.2. Asegúrese de que no hay otras personas a una distancia de menos de 17 ft. (5 m) de la zona de trabajo mientras prueba los controles.

Para probar los controles:

- ▶ Retire la batería.
- ▶ Intente apretar el gatillo.
Si el gatillo se puede apretar sin desbloquear antes el pestillo de retención, lleve el cortasetos a un concesionario de servicio STIHL autorizado para que lo reparen antes de volver a utilizarlo.
- ▶ Oprima el bloqueo del gatillo y deslice el pestillo de retención hacia delante. Asegúrese de que se mueve libremente y de que vuelve a su lugar cuando lo suelta.
- ▶ Coloque la batería.

- ▶ Sujete el cortasetos agarrando firmemente con una mano el mango de control y con la otra mano, el mango frontal o circular. Mantenga oprimido el bloqueo del gatillo, deslice el pestillo de retención hacia delante con el pulgar y apriete el gatillo con el dedo índice. El cortasetos debería encenderse. Si no se enciende, llévelo a un concesionario de servicio STIHL autorizado para que lo reparen antes de utilizarlo.
- ▶ Suelte el gatillo.
El cortasetos debe apagarse.

Si el cortasetos no se apaga una vez que ha soltado el gatillo, retire la batería y lleve el cortasetos a un concesionario de servicio STIHL autorizado para que lo reparen antes de utilizarlo.

17 Durante el funcionamiento

17.1 Ajuste del ángulo de las cuchillas de corte

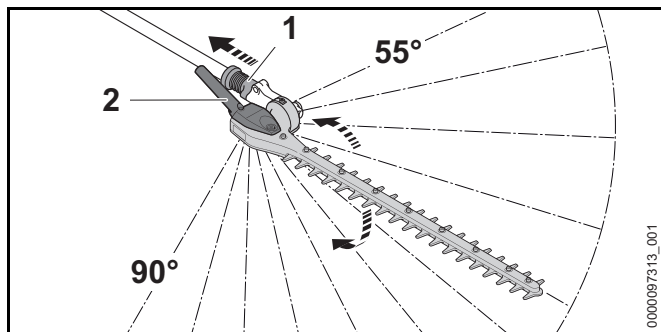
⚠ ADVERTENCIA

Para reducir el riesgo de que se produzcan lesiones graves a causa de una activación accidental, retire la batería antes de intentar ajustar el ángulo de las cuchillas de corte. Mantenga las manos, los pies y las todas las partes de su cuerpo lejos de las cuchillas de corte cuando haga ajustes. Agarre la unidad por el enclavamiento del ajuste de las cuchillas. Asegúrese de que no hay otras personas dentro de la zona de trabajo.

El ángulo de las cuchillas de corte se puede ajustar en cuatro posiciones diferentes hacia arriba y en siete posiciones diferentes hacia abajo, para adaptarlo a la situación concreta y a la estatura y a los brazos del usuario.

Para ajustar el ángulo de las cuchillas de corte:

- ▶ Apague el cortasetos, 15.2.
- ▶ Retire la batería, 14.2.

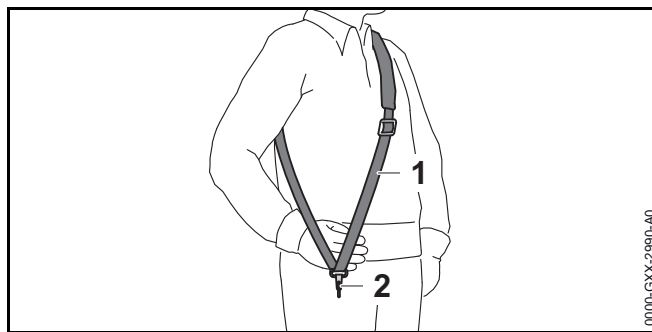


- ▶ Agarre firmemente el enclavamiento del ajuste de las cuchillas (2).
- ▶ Retire hacia atrás el desbloqueo del ajuste de las cuchillas (1) y manténgalo en esta posición de desbloqueo.
- ▶ Coloque las cuchillas de corte en el ángulo deseado.
- ▶ Suelte el desbloqueo del ajuste de las cuchillas. El desbloqueo del ajuste de las cuchillas volverá a su lugar.
- ▶ Suba y baje el enclavamiento del ajuste de las cuchillas hasta que las cuchillas de corte encajen. En este momento, el ajuste se ha completado.
- ▶ Confirme que el enclavamiento del ajuste de las cuchillas está fijo en su lugar.

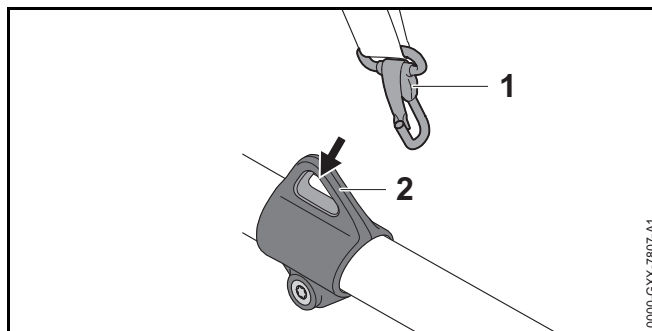
17.2 Colocación y ajuste de la correa para el hombro

Para colocar y ajustar el arnés:

- ▶ Apague el cortasetos, 15.2.
- ▶ Retire la batería, 14.2.
- ▶ Colóquese la correa para el hombro sobre el hombro.



- ▶ Ajuste la longitud de la correa para el hombro (1) de modo que el mosquetón (2) quede aproximadamente un palmo por debajo de la altura de su cadera.

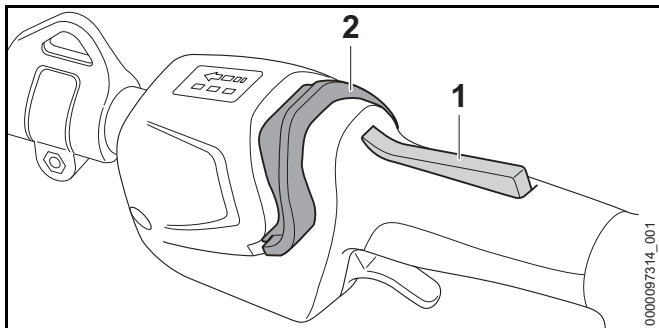


- ▶ Enganche el mosquetón (1) a la argolla de transporte (2) del cortasetos.

17.3 Selección del nivel de potencia

La máquina se puede usar con tres niveles de potencia diferentes, que se indican por medio de los LED ubicados en el mango de control. Cuanto más alto es el nivel de potencia, más rápido rotan las cuchillas de corte.

Para ajustar el nivel de potencia:



- ▶ Apriete y mantenga presionado el bloqueo del gatillo (1).
- ▶ Mientras mantiene apretado el bloqueo del gatillo, deslice el pestillo de retención (2) hacia adelante con el pulgar y suéltelo.
Los LED indican el nivel de potencia.
- ▶ Deslice el pestillo de retención hacia adelante para activar el siguiente nivel de potencia.
Si esta operación se lleva a cabo estando seleccionado el nivel de potencia más alto, la máquina vuelve al primer nivel de potencia.

Por lo general, la vida de la batería se acorta si la máquina se usa continuamente con los niveles de potencia más altos.

17.4 Uso del cortasetos

! ADVERTENCIA

Siempre use ropa adecuada y equipos de protección, incluidas gafas de seguridad apropiadas, 6.3. Trabaje con cuidado y mantenga un control adecuado del cortasetos, 6.5.2.

! ADVERTENCIA

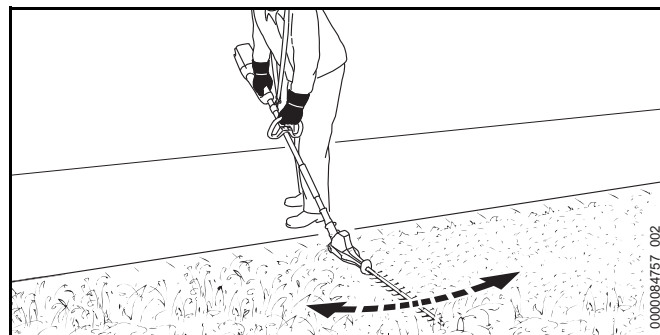
Para evitar lesiones graves o incluso mortales, evite el contacto con las cuchillas de corte en movimiento. Nunca sujete el material que va a cortar y nunca retire el material cortado sin soltar el gatillo y quitar la batería antes. Suelte el gatillo y saque la batería antes de retirar el material que se haya atascado, 6.2.

El cortasetos está diseñado para ser manejado con las dos manos.

- ▶ Antes de empezar a trabajar con el cortasetos, retire las ramas gruesas con una sierra de poda manual, con una podadora, una motosierra o una herramienta similar que sea adecuada.
- ▶ No corte tallos, ramas ni vegetación de otro tipo con un diámetro superior a 1,3 in (33 mm).

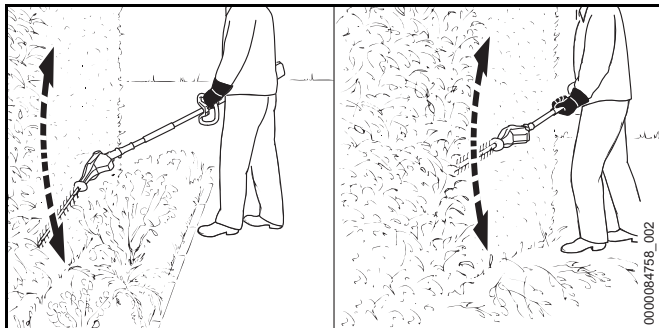
Respecte todas las leyes, las regulaciones, los estándares y las normas aplicables.

Corte a nivel del suelo (solo HLA 135)



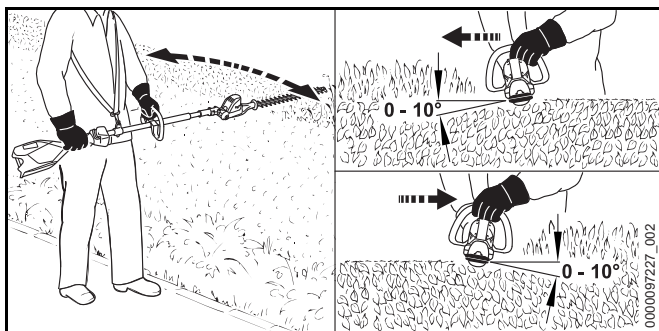
- ▶ Coloque el accesorio de corte a un ángulo adecuado.
- ▶ Mueva el cortasetos hacia atrás y hacia adelante, manteniendo las cuchillas de corte paralelas al suelo.
- ▶ Camine constante y lentamente hacia adelante.
- ▶ Si nota que la potencia de corte descende: afile las cuchillas de corte.

Corte del lateral de un seto



- ▶ Si tiene que cortar a una distancia determinada del seto (cantero de flores): coloque el accesorio de corte a un ángulo adecuado (solo con accesorio de corte ajustable).
- ▶ Mueva el accesorio de corte dibujando una curva desde la zona inferior del seto hacia arriba, en un arco controlado (véase la ilustración anterior).
- ▶ Baje la punta del accesorio de corte, avance a lo largo del seto y gire el accesorio de corte de nuevo hacia arriba en un arco controlado.
- ▶ Corte el otro lado del seto del mismo modo.
- ▶ Si nota que la potencia de corte descende: afile las cuchillas de corte.

Corte de la parte superior de un seto

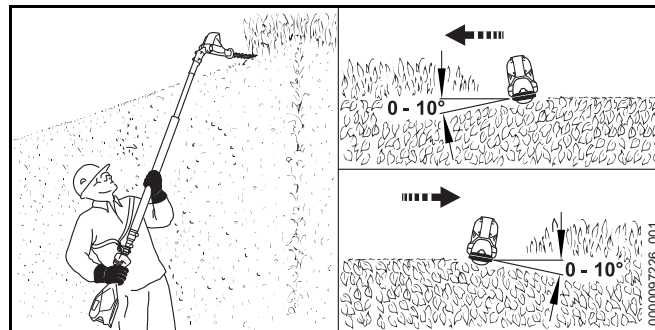


- ▶ Sostenga el accesorio de corte a un ángulo de entre 0° y 10° a medida que lo mueve en horizontal, usando los dos lados del accesorio de corte (véase la ilustración superior).
- ▶ Si nota que la potencia de corte descende: afile las cuchillas de corte.

Corte por encima de la cabeza (solo con accesorio de corte ajustable)

⚠ ADVERTENCIA

Trabajar sosteniendo una máquina por encima de los hombros puede resultar cansado. Para reducir el riesgo de lesiones provocadas por la fatiga, nunca sujete la máquina con la mano posterior sobre el mango de control a una altura superior a la de sus hombros. Fije las cuchillas de corte ajustables al ángulo más adecuado para que la máquina se pueda sostener en una posición más baja y menos cansada, pero que provea un alcance adecuado. Tómese descansos frecuentes.



- ▶ Coloque el accesorio de corte a un ángulo adecuado.
- ▶ Sostenga el accesorio de corte a un ángulo de entre 0° y 10° a medida que lo mueve en horizontal, usando los dos lados del accesorio de corte (véase la ilustración superior).
- ▶ Si nota que la potencia de corte descende: afile las cuchillas de corte.



18 Después de completar el trabajo

18.1 Preparación para el transporte o el almacenamiento

! ADVERTENCIA

Para reducir el riesgo de lesiones personales causadas por la activación accidental o el uso no autorizado, apague el motor, asegúrese de que las cuchillas de corte se hayan detenido y retire la batería antes de transportar o de bajar el cortasetos.

Para preparar el cortasetos para el transporte o el almacenamiento:

- ▶ Apague el cortasetos.  15.2.
- ▶ Retire la batería.  14.2.
- ▶ Deslice la funda de la cuchilla por las cuchillas de corte de modo que cubra por completo el accesorio de corte.
- ▶ Si el cortasetos o la batería se humedeció durante el funcionamiento, permita que se seque por completo antes de cargarlo o guardarlo.

19 Transporte del cortasetos y de la batería

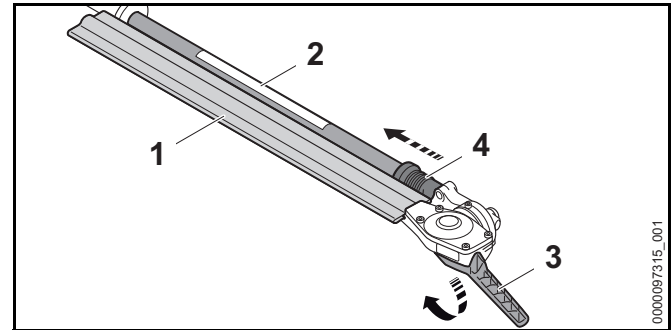
19.1 Cortasetos

! ADVERTENCIA

Cubra por completo las cuchillas de corte con una funda antes de transportar o guardar el cortasetos, para reducir el riesgo de que se produzcan lesiones por un contacto accidental.

Cuando transporte el cortasetos:

- ▶ Cubra con la funda las cuchillas de corte, de modo que el accesorio de corte quede cubierto por completo.




- ▶ Si tiene un accesorio de corte ajustable:
 - ▶ Retire hacia atrás el desbloqueo del ajuste de las cuchillas (4) y manténgalo en esta posición.
 - ▶ Sujete el cortasetos por el enclavamiento del ajuste de las cuchillas (3) y pliegue las cuchillas de corte (1) hacia abajo por completo hasta que las cuchillas queden paralelas al tubo de mando (2).
 - ▶ Suelte el desbloqueo del ajuste de las cuchillas. Cuando el desbloqueo del ajuste de las cuchillas llegue a la posición de transporte, oirá un "clic". El accesorio de corte debería estar fijo en su lugar y quedar a ras de la carcasa.
- ▶ Cuando transporte el cortasetos a mano, sujételo por el tubo de mando, dejando las cuchillas de corte detrás de usted.
- ▶ Cuando transporte el cortasetos en un vehículo, cubra las cuchillas de corte en toda su longitud con una funda. Asegure y coloque el cortasetos de modo que se eviten vuelcos, impactos y daños.

Su cortasetos incluye de serie una funda.

19.2 Batería

ADVERTENCIA

Para reducir el riesgo de cortocircuito, que podría generar una descarga eléctrica, un incendio o una explosión, nunca transporte la batería en un contenedor metálico o cerca de objetos de metal (por ejemplo, presillas de papel, clavos, monedas, llaves),  7

Al transportar la batería:

- ▶ Coloque la batería en un contenedor o una caja no metálicos y protéjala de impactos o daños. Nunca transporte la batería en un envase metálico u otro contenedor capaz de conducir electricidad, ni cerca de objetos metálicos (por ejemplo, presillas para papel, clavos, monedas, llaves, etc.).
- ▶ Si transporta la batería en un vehículo, asegúrela junto con su contenedor para prevenir vuelcos, impactos y daños.

Las baterías STIHL cumplen con los requisitos descritos en el Manual UN ST/SG/AC.10/11/Ver.5/Parte III, Subsección 38.3.

El transporte comercial por aire, agua y tierra de celdas de ion de litio y baterías está regulado. Esta batería está clasificada como un producto UN 3480, Clase 9 y grupo de envasado II. Para transportarla, ya sea como parte de la herramienta completa o sola, es necesario cumplir con todas las normas de transporte correspondientes. Antes del transporte o traslado, consulte con la empresa de transporte por tierra o agua, o bien con la aerolínea de carga o pasajeros, para determinar si el transporte está prohibido o sujeto a restricciones o exenciones.



Por lo general, el usuario no necesita cumplir con ninguna condición adicional para poder transportar baterías STIHL por carretera hasta el sitio donde se encuentra la herramienta eléctrica. Verifique y respete cualquier norma especial que pudiera aplicarse a su situación.

Para obtener más información, visite www.stihlusa.com/battery-transportation-safety.



20 Almacenamiento del cortasetos y de la batería

20.1 Cortasetos

ADVERTENCIA



Guarde el cortasetos bajo techo, en un lugar seco y bajo llave al que los niños y otras personas no autorizadas no puedan acceder,  8.1. Nunca guarde la batería en el cortasetos o el cargador. Un procedimiento incorrecto de almacenamiento podría permitir el uso no autorizado del cortasetos y causarle daños,  8.1.

Al guardar el cortasetos:



- ▶ Limpie el cortasetos,  21.
- ▶ Limpie las cuchillas de corte,  21.2.
- ▶ Guarde el cortasetos bajo techo, en un lugar seco y bajo llave, fuera del alcance de los niños y de otras personas no autorizadas.

20.2 Batería

ADVERTENCIA

Para reducir el riesgo de cortocircuito, que podría generar una descarga eléctrica, un incendio o una explosión, nunca guarde la batería en un contenedor metálico o cerca de objetos de metal.  7. Si la batería está húmeda o mojada, déjela que se seque completamente antes de guardarla.  7.

ADVERTENCIA

Las temperaturas extremas pueden dañar la batería y también hacer que genere calor, se rompa, pierda líquido, se incendie o explote, lo que podría causar lesiones personales graves o fatales y daños a la propiedad. Utilice y guarde la batería únicamente a una temperatura ambiental de -10 °C a 50 °C (14 °F a 122 °F),  7. No guarde la batería en un lugar con luz solar directa ni dentro de un vehículo en tiempo caluroso,  7.


Para almacenar la batería correctamente:

- ▶ Extraiga la batería de la herramienta motorizada del cortasetos o del cargador.
- ▶ Compruebe que la batería esté seca y guárdela bajo techo, en un lugar seco y bajo llave.
- ▶ Manténgalo fuera del alcance de los niños y de otras personas no autorizadas.
- ▶ Proteja la batería contra la humedad y los agentes corrosivos, como productos químicos de jardinería y sales de deshielo.
- ▶ Proteja la batería contra la exposición a líquidos conductores de electricidad tales como el agua salada.
- ▶ Para obtener la duración máxima de la batería, guarde la batería en una temperatura ambiente de entre 10 °C y 20 °C (50 °F y 68 °F) con una carga de entre el 40 % y el 60 % (2 LED iluminados en verde).
- ▶ No deje sueltas las baterías que no se utilizan. Rótelas.

21 Limpieza

21.1 Limpieza del cortasetos y de la batería

⚠ ADVERTENCIA

Para reducir el riesgo de lesiones provocadas por una activación accidental, quite la batería antes de realizar cualquier trabajo de limpieza,  8.1. Los usuarios de este cortasetos deben llevar a cabo únicamente las tareas de limpieza descritas en este manual.



Para limpiar el cortasetos y la batería:

- ▶ Limpie los componentes de polímero del cortasetos con un paño ligeramente húmedo. No use detergentes ni disolventes. Estos productos pueden dañar los componentes de polímero.
- ▶ Mantenga las guías del cortasetos libres de materias extrañas y límpielas siempre que sea necesario con un cepillo suave.
- ▶ No use una hidrolavadora para limpiar el cortasetos ni lo rocíe con agua o con otros líquidos.

- ▶ Mantenga la carcasa y las guías de la batería libres de cuerpos extraños, y límpielas siempre que sea necesario con un cepillo blando o con un paño suave y seco.

21.2 Limpieza de las cuchillas de corte

⚠ ADVERTENCIA



Para reducir el riesgo de lesiones personales por la activación accidental, quite la batería antes de realizar el trabajo de limpieza,  7.1. Los usuarios de este cortasetos deben efectuar únicamente la limpieza descrita en este manual. Para ayudar a evitar lesiones, siempre use guantes resistentes al manipular el cortasetos o las cuchillas de corte,  6.3.

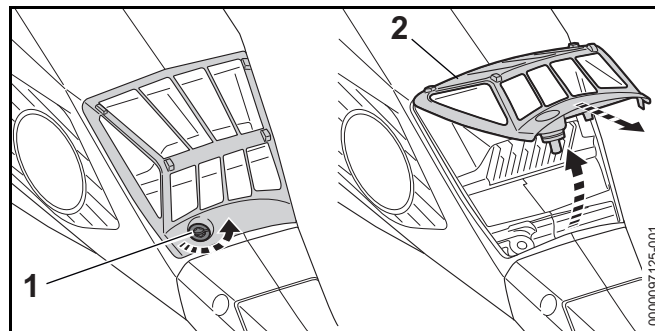
Para limpiar las cuchillas de corte:

- ▶ Rocíe sobre ambas cuchillas de corte un solvente de resinas, como el lubricante y eliminador de resinas STIHL.
- ▶ Inserte la batería y encienda el cortasetos durante unos segundos para distribuir de manera pareja el disolvente de resina en las cuchillas de corte.
- ▶ No utilice una hidrolavadora para limpiar las cuchillas de corte ni las rocíe con agua u otros líquidos.

21.3 Limpieza del filtro de aire

Para limpiar el filtro de aire:

- ▶ Apague la herramienta motorizada,  15.2.
- ▶ Retire la batería,  14.2.




- ▶ Limpie la zona alrededor del filtro de aire (2) con un paño húmedo o con un cepillo suave.
- ▶ Gire el tornillo (1) en sentido antihorario hasta que se pueda retirar el filtro de aire.
- ▶ Retire el filtro de aire levantándolo y tirando de él.
- ▶ Retire las partículas de suciedad más gruesas del exterior del filtro de aire con agua corriente. Nunca limpie el filtro de aire con una hidrolavadora.
- ▶ Si el filtro de aire está dañado, sustitúyalo.
- ▶ Espere a que el filtro de aire se seque.
- ▶ Una vez que el filtro de aire se haya secado por completo, colóquelo en su lugar a mano.
- ▶ Apriete el tornillo.

22 Inspección y mantenimiento

22.1 Inspección y mantenimiento del cortasetos

⚠ ADVERTENCIA

Para reducir el riesgo de lesiones provocadas por una activación accidental, quite la batería antes de inspeccionar el cortasetos o de realizar cualquier trabajo de mantenimiento,  8.1. Lleve a cabo únicamente las tareas de mantenimiento que se describen en este manual. No hay reparaciones que el usuario esté autorizado a llevar a cabo. STIHL le recomienda que encargue las reparaciones a concesionarios de servicio STIHL autorizados.

Para realizar el mantenimiento correcto del cortasetos:



- ▶ Limpie el filtro de aire cada 50 horas de funcionamiento.
- ▶ Afile las cuchillas de corte.
- ▶ Lubrique la caja de engranajes cada 25 horas de funcionamiento.
- ▶ Solicite a un concesionario de servicio STIHL autorizado que reemplace las cuchillas de corte desgastadas o dañadas.

- ▶ Si las etiquetas de seguridad están gastadas, dañadas o faltan, solicite en su concesionario de servicio STIHL autorizado que las cambien.

Si reclama cobertura de garantía para algún componente que no se ha reparado o mantenido debidamente, es posible que se le deniegue la garantía.

22.2 Inspección y mantenimiento de las cuchillas de corte

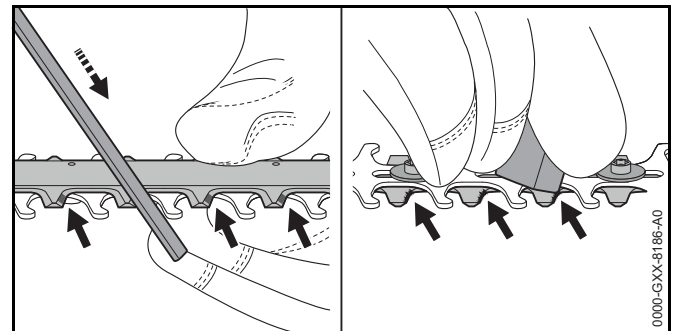
⚠ ADVERTENCIA

Para reducir el riesgo de lesiones personales por la activación accidental, quite la batería antes de inspeccionar las cuchillas o realizar algún trabajo de mantenimiento,  7.1. Para ayudar a evitar lesiones, siempre use guantes resistentes al manipular el cortasetos o las cuchillas de corte,  6.3. STIHL recomienda que solicite a un concesionario de servicio STIHL autorizado que afile las cuchillas de corte.


Aunque lo mejor es que un concesionario afile las cuchillas de corte en un taller afilador, es posible usar una lima afiladora de corte transversal plana.


Afile las cuchillas de corte cuando el rendimiento de corte comience a deteriorarse, es decir, cuando las cuchillas se atoren en las ramas o no corten hábilmente el material.

Para afilar las cuchillas de corte con una lima:



- ▶ Afile cada borde de corte de la cuchilla superior con una lima afiladora. Siempre pase la lima por el filo con un movimiento hacia adelante que corresponda con el

ángulo de afilado,  24.3. Afile en el movimiento hacia delante. Levante la lima de la cuchilla en la pasada de vuelta.

- ▶ Solo afile los bordes. No pase la lima por las partes desafiladas que sobresalgan del accesorio de corte o el protector de la cuchilla de corte. Asegúrese de que la pasada de afilado coincida con el ángulo de afilado,  24.3.
- ▶ Voltee el cortasetos para invertirlo.
- ▶ Utilice una piedra de amolar para quitar las rebabas de los bordes de corte. Quite la menor cantidad posible de material.
- ▶ Después de afilar, limpie los restos de partículas metálicas y el polvo con un paño seco o levemente humedecido y, luego, rocíe sobre las cuchillas de corte un disolvente de resinas, como el lubricante y eliminador de resinas STIHL.

Si usted está reclamando cobertura de garantía para algún componente que no ha sido reparado o mantenido debidamente, es posible que se deniegue la garantía.

INDICACIÓN

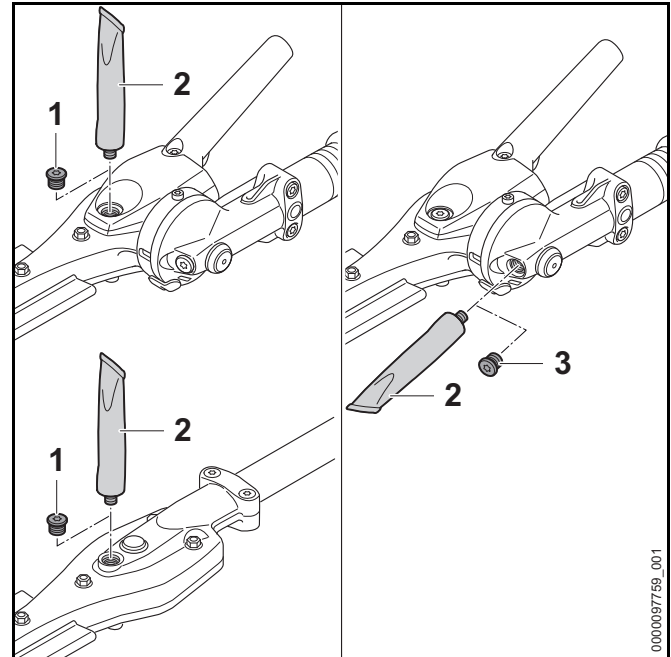
Usar la herramienta con cuchillas de corte dañadas o sin filo puede sobrecargar el motor. Mantener las cuchillas de corte afiladas ayuda a conservar el rendimiento de corte y la vida útil esperada del producto.

22.3 Lubricación de la caja de engranajes

ADVERTENCIA

La caja de engranajes se calienta durante el funcionamiento de la máquina. Para reducir el riesgo de sufrir quemaduras, evite el contacto con la caja de engranajes cuando esta esté caliente tras el funcionamiento. Espere a que la caja de engranajes se enfríe antes de llevar a cabo esta operación.

Para lubricar la caja de engranajes:



- ▶ Retire el tapón roscado (1).
- ▶ Si tiene un accesorio de corte ajustable: retire el tapón roscado (3).
- ▶ Si no se ve grasa en el interior del tapón roscado, atornille el tubo (2) de lubricante para engranajes STIHL en el orificio de llenado.
- ▶ No inyecte más de 0,2 oz. (5 g) de grasa de STIHL en la caja de engranajes.
- ▶ Retire el tubo de lubricante para engranajes de STIHL.
- ▶ Coloque el tapón roscado y apriételo.








INDICACIÓN

No llene la caja de engranajes por completo de grasa.




23 Guía de solución de problemas

23.1 Cortasetos y batería

Siempre retire la batería antes de realizar cualquier trabajo de inspección, limpieza o mantenimiento.

Problema	LED de la batería	Causa	Solución
El cortasetos no arranca cuando se enciende.		No hay contacto eléctrico entre el cortasetos y la batería.	<ul style="list-style-type: none"> ▶ Retire la batería,  14.2. ▶ Inspeccione visualmente los contactos eléctricos del compartimiento de la batería y de la batería. ▶ Vuelva a colocar la batería,  14.1.
	1 LED destella en verde. Gama STIHL AR: se emiten cuatro pitidos largos (AR L: seis pitidos).	La batería tiene poca carga.	<ul style="list-style-type: none"> ▶ Cargue la batería,  10.
	1 LED se ilumina en rojo.	La batería está demasiado caliente/demasiado fría.	<ul style="list-style-type: none"> ▶ Espere a que la batería se caliente o se enfríe gradualmente hasta alcanzar una temperatura ambiente de entre 50 °F y 68 °F aproximadamente (de 10 °C a 20 °C).
	4 LED destellan en rojo. Gama STIHL AR: además, se emite una sucesión rápida de pitidos cortos.	La batería no funciona correctamente.	<ul style="list-style-type: none"> ▶ Retire la batería y colóquela de nuevo,  14. ▶ Encienda el cortasetos,  15.1. ▶ Si los LED siguen destellando, no intente usar la máquina. La batería está averiada y es necesario reemplazarla.
	3 LED se iluminan en rojo.	El cortasetos está demasiado caliente.	<ul style="list-style-type: none"> ▶ Espere a que el cortasetos se enfríe.
	3 LED destellan en rojo.	El cortasetos está averiado.	<ul style="list-style-type: none"> ▶ Retire la batería y colóquela de nuevo,  14. ▶ Encienda el cortasetos,  15.1. ▶ Si los LED siguen destellando, no intente usar la máquina. El cortasetos tiene una avería y debe ser revisado en un concesionario de servicio.

Siempre retire la batería antes de realizar cualquier trabajo de inspección, limpieza o mantenimiento.

Problema	LED de la batería	Causa	Solución
		Las cuchillas de corte no están limpias ni lubricadas.	<ul style="list-style-type: none"> ▶ Limpie las cuchillas de corte,  21.2. ▶ Si los LED siguen destellando, no intente usar la máquina. El cortasetos tiene una avería y debe ser revisado en un concesionario de servicio.
El cortasetos se apaga durante el funcionamiento.	1 LED se ilumina en rojo.	La batería está demasiado caliente/demasiado fría.	<ul style="list-style-type: none"> ▶ Retire la batería,  14.2. ▶ Espere a que el cortasetos y la batería se enfríen gradualmente hasta alcanzar una temperatura ambiente de entre 50 °F y 68 °F aproximadamente (entre 10 °C y 20 °C).
	3 LED se iluminan en rojo.	El cortasetos está demasiado caliente.	
El tiempo de funcionamiento es demasiado corto.		La batería no está completamente cargada.	▶ Cargue la batería,  10.
		Se alcanzó o se superó la vida útil de la batería.	▶ Solicite a un concesionario de servicio STIHL autorizado que revise la batería.
La batería no se carga, aunque el LED del cargador está iluminado en verde.	1 LED se ilumina en rojo.	La batería está demasiado caliente/demasiado fría.	<ul style="list-style-type: none"> ▶ Espere a que la batería se caliente o se enfríe gradualmente hasta alcanzar una temperatura ambiente de entre 50 °F y 68 °F aproximadamente (de 10 °C a 20 °C). ▶ Utilice el cargador únicamente en lugares cerrados y secos a temperaturas ambiente de entre 41 °F y 104 °F (de 5 °C a 40 °C).

24 Especificaciones

24.1 STIHL HLA 135

- Tipos de batería aprobados:
 - Gama STIHL AP
 - Gama STIHL AR
- Peso sin batería: 12,3 lb. (5,6 kg)

Si necesita información técnica sobre las baterías de las gamas AP y AR / AR L de STIHL, consulte la información de producto adjunta con su batería.

Si necesita información técnica sobre los cargadores de las gamas AL 101, 300 y 500 de STIHL, consulte la información de producto adjunta con su cargador.

Las baterías, los cargadores y otros accesorios se venden por separado. Póngase en contacto con su concesionario de servicio STIHL autorizado para obtener información sobre precios y disponibilidad.

24.2 STIHL HLA 135 K

- Tipos de batería aprobados:
 - Gama STIHL AP
 - Gama STIHL AR
- Peso sin batería, accesorio de corte no ajustable: 10,4 lb (4,7 kg)
- Peso sin batería, accesorio de corte ajustable: 11,5 lb (5,6 kg)

Si necesita información técnica sobre las baterías de las gamas AP y AR / AR L de STIHL, consulte la información de producto adjunta con su batería.

Si necesita información técnica sobre los cargadores de las gamas AL 101, 300 y 500 de STIHL, consulte la información de producto adjunta con su cargador.

Las baterías, los cargadores y otros accesorios se venden por separado. Póngase en contacto con su concesionario de servicio STIHL autorizado para obtener información sobre precios y disponibilidad.

24.3 Cuchillas de corte

- Espacio entre dientes: 1,3 in (34 mm)
- Largo de corte: 24 in (600 mm)
- Ángulo de afilado: 45°

24.4 Símbolos del cortasetos, de la batería y del cargador

Símbolo	Significado
V	Voltio
Hz	Hercio
A	Amperio
Ah	Amperio-hora
W	Vatio
Wh	Vatio-hora
AC	Corriente alterna
IPX4	Grado de protección eléctrica



Símbolo de encendido en el pestillo de retención.



Encaje la tuerca de sujeción



Desencaje la tuerca de sujeción



Los productos STIHL no se deben eliminar junto con la basura doméstica, sino de acuerdo con las leyes y normas locales, estatales y federales, y como se especifica en este manual, 27.

— — — Corriente continua



Número de pilas y energía acumulada de acuerdo con las especificaciones del fabricante de las pilas. La cantidad de energía aprovechable será menor.



El sello RBRC indica que STIHL ha pagado por adelantado por el reciclaje de la batería.



Lea el manual

24.5 Mejoramientos técnicos

STIHL tiene la filosofía de mejorar continuamente todos sus productos. Como resultado de ello, periódicamente se introducen cambios de diseño y mejoras. Por lo tanto, es posible que algunos cambios, modificaciones y mejoras no se describan en este manual. Si las características de funcionamiento o la apariencia de su máquina difieren de las descritas en este manual, comuníquese con el concesionario STIHL para obtener la ayuda que requiera.

24.6 Declaración de cumplimiento con norma FCC 15

Este dispositivo cumple con la parte 15 de las normas de la FCC.

El funcionamiento está sujeto a las dos condiciones dadas a continuación:

- este dispositivo no deberá causar interferencias nocivas.
- este dispositivo deberá aceptar todas las interferencias que reciba, incluso las interferencias que pudieran causar un funcionamiento no deseado.

Nota: Este equipo ha sido sometido a prueba y se ha hallado que cumple con los límites de los dispositivos digitales Categoría B, según la parte 15 del Reglamento de la FCC. Estos límites están diseñados para ofrecer protección razonable contra las interferencias nocivas en una instalación residencial. Este equipo genera, utiliza y puede irradiar energía a radiofrecuencias y, si no se lo instala y utiliza conforme a las presentes instrucciones, podría

causar interferencias nocivas para las comunicaciones por radio. No obstante, no se ofrece garantía alguna de que la interferencia no ocurrirá en una instalación particular.

Si este equipo llegara a causar interferencias perjudiciales a la recepción de radio o televisión, lo cual puede determinarse encendiendo y apagando el equipo, se le indica al usuario que intente corregir la interferencia por medio de tomar una o más de las medidas siguientes:

- reoriente o cambie la ubicación de la antena de recepción,
- aumente la separación entre el equipo y el receptor,
- conecte el equipo a un tomacorriente de un circuito diferente al cual está conectado el receptor,
- consulte a un concesionario de servicio STIHL autorizado o a un técnico de radio/TV experto para recibir ayuda.

No cambie ni modifique este producto en modo alguno, a menos que se le indique específicamente hacerlo en este manual, puesto que podría anular la autoridad de usarlo.

25 Combinaciones de arnés aprobadas

25.1 Combinaciones de arnés

ADVERTENCIA

El operador debe poder desenganchar el arnés rápidamente en caso de emergencia. Para reducir el riesgo de lesiones en caso de emergencia:

- ▶ Practique el proceso de desenganchar y depositar la herramienta motorizada, como haría en caso de emergencia. Para evitar daños, no tire la herramienta motorizada al suelo cuando esté practicando.

Para su cortasetos están disponibles los siguientes arneses:



Correa para el hombro



Arnés completo



Cinturón para batería STIHL con bolsa de batería de STIHL AP con cordón de conexión en combinación con la correa para el hombro



Cinturón para batería STIHL con bolsa de batería de STIHL AP con cordón de conexión en combinación con arnés para el hombro y almohadilla para la cadera



Batería tipo mochila STIHL AR en combinación con almohadilla para la cadera



Batería tipo mochila STIHL en combinación con almohadilla para la cadera



Arnés RTS

26 Piezas y equipos de repuesto

26.1 Piezas de repuesto originales de STIHL

STIHL recomienda el uso de piezas de repuesto originales de STIHL. Es posible identificar las piezas originales de STIHL por el número de pieza STIHL, el logotipo de

STIHL y, en ciertos casos, el símbolo **GI** de piezas STIHL. En las piezas pequeñas el símbolo puede aparecer solo.

27 Eliminación

27.1 Desecho de la herramienta motorizada

Los productos STIHL no se deben desechar junto con la basura del hogar, sino de la manera en que se detalla en este manual.

- ▶ Tome la herramienta motorizada y su embalaje a un sitio aprobado para desecharla y que efectúe un reciclaje no dañino al medio ambiente.
- ▶ Comuníquese con un concesionario de servicio STIHL autorizado para obtener la información más actualizada sobre eliminación y reciclado.

27.2 Reciclado de las baterías

⚠ ADVERTENCIA

Manipule las baterías descargadas/agotadas con cuidado. Aunque parezca que están descargadas, las baterías de ion de litio nunca se descargan completamente y pueden generar una corriente de cortocircuito peligrosa. Si se dañan o exponen a temperaturas extremas, pueden perder líquido, generar calor, incendiarse o explotar.

- ▶ Respete todas las leyes y normas federales, estatales y locales sobre eliminación de desechos.
- ▶ Comuníquese con un concesionario de servicio STIHL autorizado para obtener la información más actualizada acerca de la eliminación de desechos.
- ▶ Recicle las baterías agotadas rápidamente.
- ▶ Mantenga las baterías alejadas de los niños. No desarme el producto ni lo incinere.



STIHL está comprometida con el desarrollo de productos que protejan el medio ambiente. Este compromiso no termina cuando el producto sale del concesionario de servicio STIHL autorizado. STIHL se asoció con la RBRC (Corporación de Reciclaje de Baterías Recargables) para fomentar la recolección y el reciclado de baterías de ion de litio STIHL en los Estados Unidos y Canadá.

El sello de la RBRC indica que STIHL ya aportó dinero para el reciclado de la batería. El sello de la RBRC lleva impreso un número telefónico gratuito (1-800-822-8837) que le permite acceder a información sobre lugares de reciclaje de baterías y prohibiciones o restricciones respecto del reciclado de baterías en su zona. También puede devolver las baterías a cualquier concesionario de servicio STIHL autorizado para reciclarlas gratuitamente.

28 Garantía limitada

28.1 Política de garantía limitada de STIHL Incorporated

Este producto se vende sujeto a la Política de garantía limitada de STIHL Incorporated, disponible en www.stihlusa.com/warranty.html. También puede obtenerlo de un concesionario de servicio STIHL autorizado o llamando al 1-800-GO-STIHL (1-800-467-8445).

28.2 DECLARACIÓN DE GARANTÍA DE STIHL Incorporated SOBRE SISTEMAS DE CONTROL DE EMISIONES SEGÚN NORMAS DE CALIFORNIA

Solo para California

SUS DERECHOS Y OBLIGACIONES DE GARANTÍA

El Consejo de Recursos del Aire del Estado de California (CARB) y STIHL Incorporated se complacen en explicarle la Garantía del sistema de control de emisiones instalado en su motor con emisiones nulas de su equipo pequeño de uso fuera de carretera del año 2021 y posteriores.

En California, el equipo nuevo que tiene motores pequeños con emisiones nulas para uso fuera de carretera debe estar diseñado, construido y equipado de conformidad con las rigurosas normas de contaminación del aire del estado. STIHL Incorporated debe garantizar el sistema de control de emisiones del motor pequeño con emisiones nulas para uso fuera de carretera por los intervalos que se mencionan más adelante, siempre que dicho motor o equipo no haya estado sujeto a maltrato, negligencia o cuidado inapropiado y ello causara la falla del sistema de control de emisiones.

El sistema de control de emisiones puede tener componentes tales como un motor con emisiones nulas, una unidad de control del motor, una batería y un cargador de baterías.

Si se da una condición amparada por la garantía, STIHL Incorporated reparará el motor pequeño con emisiones nulas para equipo de uso fuera de carretera sin costo alguno, incluido el diagnóstico, las piezas y la mano de obra.

RESPONSABILIDADES DEL FABRICANTE EN RELACIÓN CON LA GARANTÍA

El sistema de control de emisiones de su motor pequeño para uso fuera de carretera tiene una garantía de dos años. Si está defectuoso alguno de los componentes relacionados con el sistema de control de emisiones de su motor pequeño con emisiones nulas para uso fuera de carretera, será reparado o sustituido por STIHL Incorporated sin costo alguno.

RESPONSABILIDADES DEL PROPIETARIO EN RELACIÓN CON LA GARANTÍA

Como propietario de motor pequeño con emisiones nulas para equipo de uso fuera de carretera, usted tiene la responsabilidad de llevar a cabo el mantenimiento requerido que se describe en su manual de instrucciones. STIHL Incorporated le recomienda que conserve todos los recibos de los trabajos de mantenimiento hechos en su motor pequeño con emisiones nulas para equipo de uso fuera de carretera, pero STIHL Incorporated no puede denegar la garantía basándose únicamente en el hecho de que faltan recibos o de que el propietario no ha cumplido con su obligación de llevar a cabo todos los trabajos de mantenimiento programados.

Sin embargo, como propietario del motor pequeño con emisiones nulas para equipo de uso fuera de carretera, usted debe ser consciente de que STIHL Incorporated puede negarle la garantía si dicho motor o un componente del mismo ha fallado debido a maltrato, descuido, mantenimiento inadecuado o modificaciones no autorizadas.

Usted es responsable de llevar el motor pequeño con emisiones nulas para equipo de uso fuera de carretera a un concesionario de servicio de STIHL tan pronto surja el problema. Las reparaciones cubiertas por la garantía deben realizarse en un tiempo razonable, de no más de 30 días.

Si tiene cualquier duda sobre sus derechos y sus responsabilidades en relación con la garantía, póngase en contacto con un representante del servicio de atención al cliente de STIHL llamando al 1-800-467-8445, o si lo prefiere, escriba a

STIHL Incorporated
536 Viking Drive
P.O. Box 2015
Virginia Beach, VA
23452-2015
www.stihlusa.com

COBERTURA OFRECIDA POR STIHL INCORPORATED

STIHL Incorporated garantiza al último comprador y a cada uno de los compradores subsiguientes que el motor pequeño con emisiones nulas para equipo de uso fuera de carretera está diseñado, construido y equipado, en el momento de la venta, de conformidad con todos los reglamentos sobre emisiones aplicables.

Además, STIHL Incorporated garantiza también al comprador inicial y a cada comprador subsiguiente que el motor con emisiones nulas está libre de defectos de fabricación y de materiales que podrían provocar que el motor no cumpliera los reglamentos sobre emisiones aplicables durante un período de dos años.

PERÍODO DE GARANTÍA CONTRA DEFECTOS

El período de garantía comenzará el día en que el comprador inicial adquiera el motor con emisiones nulas de equipo utilitario. Si cualquier pieza de su motor de

emisiones nulas relacionada con el sistema de control de emisiones está defectuosa, será sustituida por STIHL Incorporated sin costo alguno para el propietario.

No está permitido usar componentes adicionales o modificados que no hayan sido eximidos por el Consejo de Recursos del Aire (CARB). El uso de cualquier componente adicional o modificado no eximido será motivo de denegación de la garantía. STIHL Incorporated no asumirá responsabilidad alguna por fallas en los componentes cubiertos por la garantía causadas por el uso de un componente adicional o modificado no eximido.

La garantía que cubre los componentes relacionados con las emisiones se interpretará de la manera siguiente:

- 1) Cualquier componente garantizado cuyo reemplazo no está programado como mantenimiento requerido en las instrucciones escritas requeridas en la Lista de Piezas bajo la Garantía de Control de Emisiones (vea más abajo) debe garantizarse por el período de garantía definido en la subsección COBERTURA POR STIHL INCORPORATED, vea más arriba. Si uno de estos componentes falla durante el período de garantía, el fabricante debe repararlo o sustituirlo de acuerdo con la subsección (4), más abajo. Un componente reparado o sustituido bajo la garantía debe garantizarse durante el resto del período de garantía.
- 2) Cualquier componente garantizado que solamente debe inspeccionarse periódicamente de acuerdo con las instrucciones escritas requeridas en la Lista de Piezas bajo la Garantía de Control de Emisiones (vea más abajo) debe garantizarse por el período de garantía definido en la subsección COBERTURA POR STIHL INCORPORATED, vea más arriba. Una declaración en las instrucciones escritas tal como "reparar o sustituir según sea necesario" no acortará el período de cobertura de garantía. Un componente de este tipo que se haya reparado o sustituido bajo la garantía debe garantizarse durante el resto del período de garantía.
- 3) Cualquier componente cubierto por la garantía para el que esté programada una tarea necesaria de mantenimiento en las instrucciones por escrito requeridas por la lista de piezas bajo la garantía de control de emisiones (vea más abajo) debe garantizarse por el

periodo de tiempo anterior al primer punto de sustitución programado para este componente. Si el componente falla antes de la primera sustitución programada, el fabricante del motor con emisiones nulas debe repararlo o sustituirlo de acuerdo con la subsección (4), más abajo. Cualquier componente de este tipo que se haya reparado o sustituido bajo la garantía debe garantizarse por el resto del período previo al primer punto de sustitución programado para el componente.

- 4) La reparación o sustitución de cualquier componente cubierto por la garantía debe llevarse a cabo en una estación de reparaciones de garantía sin costo alguno para el propietario.
- 5) No obstante lo expuesto en la subsección (4), más arriba, los servicios o las reparaciones bajo garantía se proveerán en todos los centros de distribución del fabricante autorizados para dar servicio a los motores con emisiones nulas en cuestión.
- 6) Al propietario no se le debe cobrar el trabajo de diagnóstico que establece que el componente garantizado está realmente defectuoso, siempre y cuando este trabajo de diagnóstico se lleve a cabo en una estación de reparaciones bajo garantía.

TRABAJO BAJO GARANTÍA

STIHL Incorporated reparará los defectos amparados por la garantía en cualquier estación de garantía o centro de servicio autorizado por STIHL. Cualquier trabajo de este tipo se llevará a cabo sin costo alguno para el propietario si se determina que la pieza cubierta por la garantía está defectuosa. Para llevar a cabo las tareas de mantenimiento o reparación cubiertas por la garantía en los componentes relacionados con el sistema de control de emisiones se puede usar cualquier pieza de repuesto aprobada por el fabricante o equivalente. La pieza de repuesto se facilitará al propietario sin costo alguno. STIHL Incorporated es responsable de los daños que se produzcan en otros componentes del motor con emisiones nulas a consecuencia de la falla de una pieza garantizada que todavía está bajo garantía.

LISTA DE PIEZAS BAJO LA GARANTÍA DE EMISIONES

Motor, batería, cargador de baterías, unidad de control del motor

DÓNDE RECLAMAR EL SERVICIO DE GARANTÍA

Lleve el producto de STIHL a cualquier concesionario autorizado de STIHL.

LIMITACIONES

La reparación o la sustitución de cualquier componente garantizado y normalmente abarcado por la garantía se puede excluir de la garantía si STIHL Incorporated demuestra maltrato, negligencia o mantenimiento incorrecto del producto de STIHL, y que tal maltrato, negligencia o mantenimiento incorrecto ha sido la causa directa de la necesidad de reparación o sustitución del componente. A pesar de lo anterior, cualquier ajuste de un componente que tenga un dispositivo limitador instalado de fábrica y funcione correctamente no perjudicará la cobertura bajo garantía.

29 Marcas comerciales

29.1 Marcas comerciales registradas

STIHL®

STIHL®

G®

La combinación de colores anaranjado-gris (Registros en EE. UU. #2,821,860; #3,010,057, #3,010,058, #3,400,477; y #3,400,476)

AutoCut®

YARD BOSS®

FARM BOSS®

iCademy®

MAGNUM®

MasterWrench Service®

MotoMix®

OILOMATIC®

ROCK BOSS®

STIHL Cutquik®

STIHL DUROMATIC®

STIHL Quickstop®

STIHL ROLLOMATIC®
WOOD BOSS®



STIHL WOOD BOSS®
TIMBERSPORTS®



29.2 Marcas comerciales por ley común

4-MIX™	HT Plus™
BioPlus™	STIHL PowerSweep™
Easy2Start™	STIHL Protech™
EasySpool™	STIHL MiniBoss™
ElastoStart™	STIHL MotoPlus 4™
Ematic™	Master Control Lever™
STIHL Precision Series™	STIHL OUTFITTERS™
FixCut™	STIHL PICCO™
Micro™	TrimCut™
Pro Mark™	STIHL M-Tronic™
Quad Power™	STIHL HomeScaper Series™
Quiet Line™	STIHL PolyCut™
STIHL Arctic™	STIHL RAPID™
STIHL Compact™	STIHL SuperCut™
STIHL Interchangeable Attachment Series™	STIHL Multi-Cut HomeScaper Series™
TapAction™	STIHL Territory™
	

Esta lista de marcas comerciales está sujeta a cambios.

Queda terminantemente prohibido todo uso de estas marcas comerciales sin el consentimiento expreso por escrito de ANDREAS STIHL AG & Co. KG, Waiblingen.

30 Direcciones

30.1 STIHL Incorporated

STIHL Incorporated
536 Viking Drive
P.O. Box 2015
Virginia Beach, VA
23452-2015

! WARNING

This hedge trimmer and battery contain chemicals known to the State of California to cause cancer, birth defects or other reproductive harm.

! ADVERTENCIA

Estos cortasetos y esta batería contienen productos químicos considerados por el Estado de California como causantes de cáncer, defectos de nacimiento u otra toxicidad reproductora.

0458-683-8621-A

englisch / spanisch USA



www.stihl.com



0458-683-8621-A