

# STIHL

## STIHL FS 40, 50

Instruction Manual  
Manual de instrucciones



### **WARNING**

Read Instruction Manual thoroughly before use and follow all safety precautions – improper use can cause serious or fatal injury.

### **ADVERTENCIA**

Antes de usar la máquina lea y siga todas las precauciones de seguridad dadas en el manual de instrucciones – el uso incorrecto puede causar lesiones graves o mortales.



**Instruction Manual**

**1 - 43**

**Manual de instrucciones**

**44 - 91**

# Contents

|  |    |  |    |
|--|----|--|----|
| Guide to Using this Manual   | 2  | STIHL Incorporated California Exhaust and Evaporative Emissions Control Warranty Statement | 40 |
| Safety Precautions and Working Techniques                                  | 3  | Trademarks   | 42 |
| Approved Combinations of Cutting Attachment, Deflector, Handle and Harness | 15 |  |    |
| Mounting the Loop Handle   | 16 |  |    |
| Mounting the Deflector   | 16 |  |    |
| Mounting the Cutting Attachment  | 17 |  |    |
| Fuel   | 20 |  |    |
| Fueling  | 21 |  |    |
| Starting / Stopping the Engine   | 23 |  |    |
| Operating Instructions   | 25 |  |    |
| Cleaning the Air Filter  | 25 |  |    |
| Engine Management  | 26 |  |    |
| Adjusting the Carburetor   | 26 |  |    |
| Spark Plug   | 26 |  |    |
| Engine Running Behavior  | 27 |  |    |
| Storing the Machine  | 28 |  |    |
| Maintaining the Mowing Head  | 28 |  |    |
| Inspections and Maintenance by Dealer                                      | 32 |  |    |
| Maintenance and Care   | 33 |  |    |
| Main Parts   | 35 |  |    |
| Specifications   | 36 |  |    |
| Maintenance and Repairs  | 37 |  |    |
| Disposal   | 38 |  |    |
| Limited Warranty   | 38 |  |    |
| STIHL Incorporated Federal Emission Control Warranty Statement             | 38 |  |    |

Allow only persons who fully understand this manual to operate your trimmer.

To receive maximum performance and satisfaction from your STIHL trimmer, it is important that you read, understand and follow the safety precautions and the operating and maintenance instructions in chapter "Safety Precautions and Working Techniques" before using your trimmer. For further information you can go to [www.stihlusa.com](http://www.stihlusa.com).

Contact your STIHL dealer or the STIHL distributor for your area if you do not understand any of the instructions in this manual.

## WARNING

Because a trimmer is a high-speed cutting tool some special safety precautions must be observed to reduce the risk of personal injury. Careless or improper use may cause serious or even fatal injury.

Make sure your unit is equipped with the proper deflector, handle and harness for the type of cutting attachment being used. Always wear proper eye protection.

# STIHL

This instruction manual is protected by copyright. All rights reserved, especially the rights to reproduce, translate and process with electronic systems.

## Guide to Using this Manual

### Pictograms

The meanings of the pictograms attached to or embossed on the machine are explained in this manual.

Depending on the model concerned, the following pictograms may be on your machine.



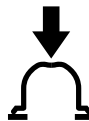
Fuel tank for gasoline and engine oil mixture



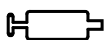
Press to operate decompression valve



Manual fuel pump



Press to operate manual fuel pump



Filler hole for gear lubricant



Air intake summer mode



Air intake winter mode



Handle heating

### Symbols in Text

Many operating and safety instructions are supported by illustrations.

The individual steps or procedures described in the manual may be shown in different ways:

- A bullet indicates a step or procedure.

A description of a step or procedure that refers directly to an illustration may contain item numbers that appear in the illustration. For example:

- Remove the screw (1)
- Pull the spark arresting screen (2) upwards out of the muffler

In addition to the operating instructions, this manual may contain paragraphs that require your special attention. Such paragraphs are indicated with the symbols and signal words described below:



**DANGER**

Indicates a hazardous situation that, if not avoided, will result in death or serious injury.



**WARNING**

Indicates a hazardous situation that, if not avoided, could result in death or serious injury.

### NOTICE

Indicates a risk of property damage, including damage to the machine or its individual components.

### Engineering Improvements

STIHL's philosophy is to continually improve all of its products. As a result, engineering changes and improvements are made from time to time. Therefore, some changes, modifications and improvements may not be covered in this manual. If the operating characteristics or the appearance of your machine differs from those described in this manual, please contact your STIHL dealer or the STIHL distributor for your area for assistance.

## Safety Precautions and Working Techniques



Because a trimmer is a high-speed, fast-cutting power tool, special safety precautions must be observed to reduce the risk of personal injury.



It is important that you read, fully understand and observe the following safety precautions and warnings. Read the instruction manual and the safety precautions periodically. Careless or improper use may cause serious or fatal injury.

The terminology utilized in this manual when referring to the power tool reflects the type of cutting attachments that may be mounted on it. The term "trimmer" is used to designate an FS unit that is equipped with a nylon line head or a head with flexible plastic blades (i.e., the PolyCut head).



**WARNING**  
As more fully explained later in these Safety Precautions, to reduce the risk of personal injury, make sure your unit is equipped with the proper handle, harness and deflector for the type of cutting attachment you are using. Use only cutting attachments that are specifically authorized by STIHL for use on your FS model. To reduce the risk of severe or fatal injury from blade contact and / or loss of control, never attempt to use a metal blade on this trimmer.

Have your STIHL dealer show you how to operate your power tool. Observe all applicable local safety regulations, standards and ordinances.



**WARNING**  
Do not lend or rent your power tool without the instruction manual. Be sure that anyone using it understands the information contained in this manual.



**WARNING**  
The use of this machine may be hazardous. If the rotating line or blade comes in contact with your body, it will cut you. When it comes in contact with solid foreign objects such as rocks or bits of metal, it may fling them directly or by ricochet in the direction of bystanders or the operator. Striking such objects could damage the cutting attachment. Thrown objects, including broken heads or blades, may result in serious or fatal injury to the operator or bystanders.

Use your trimmer equipped with the appropriate cutting attachment only for cutting grass and similar material.



**WARNING**  
Do not use it for other purposes, since misuse may result in personal injury or property damage, including damage to the machine.



**WARNING**  
Minors should never be allowed to use this power tool. Bystanders, especially children, and animals should not be allowed in the area where it is in use.



**WARNING**  
To reduce the risk of injury to bystanders and damage to property, never let your power tool run unattended. When it is not in use (e.g. during a work break), shut it off and make sure that unauthorized persons do not use it.

Most of these safety precautions and warnings apply to the use of all STIHL trimmers. Different models may have different parts and controls. See the appropriate section of your instruction manual for a description of the controls and the function of the parts of your model.

Safe use of a trimmer involves

1. the operator
2. the power tool
3. the use of the power tool.

## THE OPERATOR

### Physical Condition

You must be in good physical condition and mental health and not under the influence of any substance (drugs, alcohol, etc.) which might impair vision, dexterity or judgment. Do not operate this machine when you are fatigued.



**WARNING**  
Be alert – if you get tired, take a break. Tiredness may result in loss of control. Working with any power tool can be strenuous. If you have any condition that might be aggravated by strenuous work, check with your doctor before operating this machine.

**! WARNING**

Prolonged use of a power tool (or other machines) exposing the operator to vibrations may produce whitefinger disease (Raynaud's phenomenon) or carpal tunnel syndrome.

These conditions reduce the hand's ability to feel and regulate temperature, produce numbness and burning sensations and may cause nerve and circulation damage and tissue necrosis.

All factors which contribute to whitefinger disease are not known, but cold weather, smoking and diseases or physical conditions that affect blood vessels and blood transport, as well as high vibration levels and long periods of exposure to vibration are mentioned as factors in the development of whitefinger disease. In order to reduce the risk of whitefinger disease and carpal tunnel syndrome, please note the following:

- Most STIHL power tools are available with an anti-vibration ("AV") system designed to reduce the transmission of vibrations created by the machine to the operator's hands. An AV system is recommended for those persons using power tools on a regular or sustained basis.
- Wear gloves and keep your hands warm.

- Keep the AV system well maintained. A power tool with loose components or with damaged or worn AV buffers will tend to have higher vibration levels.
- Maintain a firm grip at all times, but do not squeeze the handles with constant, excessive pressure. Take frequent breaks.

All the above-mentioned precautions do not guarantee that you will not sustain whitefinger disease or carpal tunnel syndrome. Therefore, continual and regular users should closely monitor the condition of their hands and fingers. If any of the above symptoms appear, seek medical advice immediately.

**! WARNING**

The ignition system of the STIHL unit produces an electromagnetic field of a very low intensity. This field may interfere with some pacemakers. To reduce the risk of serious or fatal injury, persons with a pacemaker should consult their physician and the pacemaker manufacturer before operating this tool.

**Proper Clothing**

**! WARNING**

To reduce the risk of injury, the operator should wear proper protective apparel.

**! WARNING**

The deflector provided with your power tool will not protect the operator from all foreign objects (gravel, glass, wire, etc.)

thrown back by the rotating cutting attachment. Thrown objects may also ricochet and strike the operator.

**! WARNING**



To reduce the risk of injury to your eyes never operate your power tool unless wearing goggles or properly fitted protective glasses with adequate top and side protection complying with ANSI Z87 "+" (or your applicable national standard). To reduce the risk of injury to your face STIHL recommends that you also wear a face shield or face screen over your goggles or protective glasses.



Power tool noise may damage your hearing. Wear sound barriers (ear plugs or ear muffers) to protect your hearing. Continual and regular users should have their hearing checked regularly.

Be particularly alert and cautious when wearing hearing protection because your ability to hear warnings (shouts, alarms, etc.) is restricted.



Always wear heavy duty work gloves (e.g. made of leather or other wear resistant material) when handling the machine, blade and the cutting attachment. Heavy-duty, nonslip gloves improve your grip and help to protect your hands.



Clothing must be sturdy and snug-fitting, but allow complete freedom of movement. Wear long pants made of heavy material to help protect your legs. Do not wear shorts, sandals or go barefoot.

Avoid loose-fitting jackets, scarfs, neckties, jewelry, flared or cuffed pants, unconfined long hair or anything that could become caught on branches, brush or the moving parts of the unit. Secure hair so it is above shoulder level.



Good footing is very important. Wear sturdy boots with nonslip soles. Steel-toed safety boots are recommended.

## THE POWER TOOL

For illustrations and definitions of the power tool parts see the chapter on "Main Parts."

### **! WARNING**

Never modify this power tool in any way. Only attachments supplied by STIHL and expressly approved by STIHL for

use with the specific STIHL model are authorized. Although certain unauthorized attachments are useable with STIHL power tools, their use may, in fact, be extremely dangerous. For the cutting attachments authorized by STIHL for your unit, see the chapter "Approved Combinations of Cutting Attachment, Deflector, Handle and Harness" in the instruction manual or the STIHL "Cutting Attachments, Parts & Accessories" catalog.

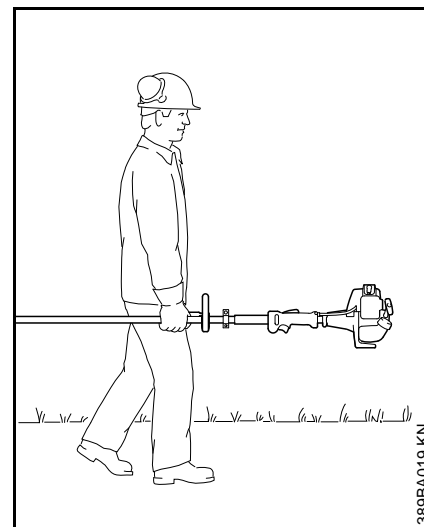
If this tool is subjected to unusually high loads for which it was not designed (e.g. heavy impact or a fall), always check that it is in good condition before continuing work. Check in particular that the fuel system is tight (no leaks) and that the controls and safety devices are working properly. Do not continue operating this machine if it is damaged. In case of doubt, have it checked by your STIHL servicing dealer.

## THE USE OF THE POWER TOOL

### Transporting the Power Tool

#### **! WARNING**

To reduce the risk of injury from loss of control and blade or line contact, never carry or transport your power tool with the cutting attachment moving.



It may be carried only in a horizontal position. Grip the shaft in a manner that the machine is balanced horizontally. Keep the hot muffler away from your body and the cutting attachment behind you.

#### **! WARNING**

Always shut off the engine and make sure the cutting attachment has stopped before putting a trimmer down. When transporting it in a vehicle, properly secure it to prevent turnover, fuel spillage and damage to the unit.

### Fuel

Your STIHL power tool uses an oil-gasoline mixture for fuel (see the "Fuel" chapter in this instruction manual).

**! WARNING**



Gasoline is an extremely flammable fuel. If spilled and ignited by a spark or other ignition source, it can cause fire and serious burn injury or property damage. Use extreme caution when handling gasoline or fuel mix. Do not smoke or bring any fire or flame near the fuel or the power tool. Note that combustible fuel vapor may escape from the fuel system.

### Fueling Instructions

**! WARNING**

To reduce the risk of fire and serious personal injury, always place the power tool on the ground before attempting to fuel the machine.

**! WARNING**



### Pick a Safe Location

To reduce the risk of fire and explosion, fuel your power tool in a well-ventilated area, outdoors away from flames, pilot lights, heaters, electric motors, and other sources of ignition. Vapors can be ignited by a spark or flame many feet away. Select bare ground for fueling and

move at least 10 feet (3 m) from the fueling spot before starting the engine. Wipe off any spilled fuel before starting your power tool. Take care not to get fuel on your clothing. If this happens, change your clothing immediately.

### Allow the Power Tool to Cool Before Removing the Fuel Cap

**! WARNING**

Gasoline vapor pressure may build up inside the fuel tank. The amount of pressure depends on a number of factors such as the fuel used, altitude and temperature. To reduce the risk of burns and other personal injury from escaping gas, vapor and fumes, always shut off the engine and allow it to cool before removing the fuel cap.

The engine is air cooled. When it is shut off, cooling air is no longer drawn across the cylinder and engine temperatures will rise for several minutes before starting to cool. In hot environments, cooling will take longer. To reduce the risk of burns and other personal injury from escaping gas, vapor and fumes, allow the power tool to cool. If you need to refuel before completing a job, turn off the machine and allow the engine to cool before opening the fuel tank.

### Fuel Spraying or "Geysering"

**! WARNING**

Removing the cap on a pressurized fuel tank can result in gasoline, vapors and fumes being forcefully sprayed out from the fuel tank in all directions. The escaping gasoline, vapors or fumes can cause serious personal injury, including fire and burn injury, or property damage.

Sometimes also referred to as "fuel geysering," fuel spraying is an expulsion of fuel, vapors and fumes which can occur in hot conditions, or when the engine is hot, and the tank is opened without allowing the power tool to cool adequately. It is more likely to occur when the fuel tank is half full or more.

Pressure is caused by fuel and heat and can occur even if the engine has not been running. When gasoline in the fuel tank is heated (by ambient temperatures, heat from the engine, or other sources), vapor pressure will increase inside the fuel tank.

Some blends of gasoline, particularly those designed for use in winter, are more volatile and may cause tanks to pressurize more quickly or create greater pressure. At higher altitudes, fuel tank pressurization is more likely.

### How to Avoid Fuel Spraying

Removing the fuel cap on a pressurized tank can result in gasoline, vapors and fumes being forcefully sprayed out from the fuel tank in all directions. To reduce the risk of burns, serious injuries or property damage from fuel spraying:

- Follow the fueling instructions in this chapter.
- Always assume your fuel tank is pressurized.
- Allow the power tool to cool before removing the fuel cap.



- In hot environments, cooling will take longer.
- The engine is air cooled. When it is shut off, cooling air is no longer drawn across the cylinder and the engine temperature will rise for several minutes before starting to cool.

After the power tool has cooled appropriately, follow the safety instructions in this chapter for removing the cap.

Never remove the fuel filler cap by turning it directly to the open position. First check for residual pressure in the tank by slowly turning the cap approximately 1/2 turn counter-clockwise. The cap should be held in place by the threads while allowing residual vapor/pressure to be relieved. Once the fumes or vapor have been relieved, turn the cap further until it can be removed from the tank opening.

Use only good quality fuel that is appropriate for the season (summer v. winter blends). Some blends of gasoline, particularly winter blends, are more volatile and can contribute to fuel spraying.

### Removing the Threaded Fuel Filler Cap



#### WARNING

After allowing the power tool to cool, remove the fuel filler cap slowly and carefully to allow any remaining pressure build-up in the tank to release:

- While maintaining steady, downward pressure, slowly turn the cap approximately 1/2 turn counter-clockwise.
- If any significant venting occurs, immediately re-seal the tank by turning the cap clockwise to the closed position. Allow the power tool to cool further before attempting to open the tank.
- Turn the cap to the open position only after the contents of the tank are no longer under pressure.
- Never remove the cap by turning it directly to the open position. First allow the power tool to cool adequately and then release any residual pressure by slowly turning it approximately 1/2 turn counter-clockwise.
- Never attempt to remove the cap while the engine is still hot or running.

### Installing the Threaded Fuel Filler Cap



#### WARNING



Unit vibrations can cause an improperly tightened fuel filler cap to loosen or come off and spill quantities of fuel. To reduce the risk of fuel spillage and fire, tighten the fuel filler cap by hand with as much force as possible.

### Damaged or Broken Cap

If your fuel cap does not tighten properly, it may be damaged or broken. Stop using the power tool and take it to your authorized STIHL dealer for repair.





### Vapor Lock



#### WARNING

Vapor lock occurs when fuel in the fuel line or carburetor vaporizes, causing bubbles to block the free flow of liquid fuel into the carburetor. Vapor lock cannot be relieved or affected by opening the fuel tank. Removing the fuel filler cap without first allowing the power tool to cool adequately can result in fuel spraying. Always follow the instructions in this section when removing the fuel cap.

To relieve vapor lock:

- Press the manual fuel pump bulb at least 20 to 30 times – even if the bulb is already filled with fuel – to clear the vapor and send liquid fuel into the carburetor. Then start the power tool. For specific starting instructions, see the appropriate section of your instruction manual.
- If the manual fuel pump bulb will not be filled, place the Choke Lever to the cold start position  and pull the starter cord until the engine runs. If the engine does not fire after 10 pulls in the cold start position , place the Choke Lever to the warm start position  and start the engine in the warm start position .
- If your power tool will not restart, or if vapor lock occurs again, the power tool is being used in conditions too extreme for the fuel being used. Discontinue use and let the engine cool completely before attempting to start the power tool.

### Before Operation

#### **WARNING**

Always check your power tool for proper condition and operation before starting, particularly the throttle trigger, throttle trigger lockout, stop switch, cutting attachment, deflector and harness. The throttle trigger must move freely and always spring back to the idle position. Never attempt to modify the controls or safety devices.

#### **WARNING**

Check fuel system for leaks, especially the visible parts, e.g., filler cap, hose connections, manual fuel pump (only for power tools equipped with a manual fuel pump). Do not start the engine if there are leaks or damage – risk of fire. Have the power tool repaired by a STIHL servicing dealer before using it.

#### **WARNING**

Never operate your power tool if it is damaged, improperly adjusted or maintained, or not completely and securely assembled.

#### **WARNING**

Check that the spark plug boot is securely mounted on the spark plug – a loose boot may cause arcing that could ignite combustible fumes and cause a fire.

#### **WARNING**

Do not mount any cutting attachment to a unit without proper installation of all required parts. Failure to use the proper parts may cause the blade or head to fly off and seriously injure the operator or bystanders.

#### **WARNING**

The cutting attachment must be properly tightened and not damaged. Inspect for loose parts (nuts, screws, etc.) and for cracked or damaged heads. Replace damaged heads before using the power tool.

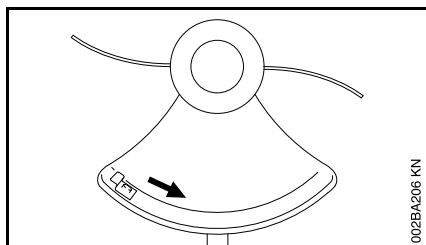
Keep the handles clean and dry at all times; it is particularly important to keep them free of moisture, pitch, oil, fuel mix, grease or resin in order for you to maintain a firm grip and properly control your power tool.

#### **WARNING**



To reduce the risk of personal injury to the operator from blade or line contact and thrown objects, make sure your unit is equipped with the proper deflector, handle and harness for the type of cutting attachment being used (see chart in the chapter on "Approved Combinations of Cutting Attachment, Deflector, Handle and Harness".)

Keep the deflector (and the attached skirt where appropriate) adjusted properly at all times (see chapters on "Mounting the Deflector" and "Mounting the Cutting Attachment" of your instruction manual.)



Arrow on the deflector (as seen from the underside) shows the correct direction of rotation of the cutting attachment. When viewed from above, however, the cutting attachment rotates clockwise.

Some of the following symbols may be embossed on the outside of the deflector in order to indicate the approved combination of cutting attachment and deflector.



The deflector may be used in combination with mowing heads.



The deflector must not be used in combination with mowing heads.



The deflector may be used in combination with grass cutting blades.



The deflector must not be used in combination with grass cutting blades.



The deflector may be used in combination with brush knives.



The deflector must not be used in combination with brush knives.



The deflector must not be used in combination with shredder blades.



The deflector must not be used in combination with circular saw blades.

Adjust carrying harness (if you are wearing one) and hand grip to suit your size before starting work. The machine should be properly balanced as specified in your instruction manual for proper control and less fatigue in operation. To be better prepared in case of an emergency, practise releasing the unit from the harness as quickly as possible.

For specific starting instructions, see the appropriate section of your instruction manual.

### Starting

Start the engine at least 10 feet (3 m) from the fueling spot, outdoors only.

For specific starting instructions, see the appropriate section of your manual. Place the power tool on firm ground or

other solid surface in an open area. Maintain good balance and secure footing.

### WARNING

To reduce the risk of injury from blade or line contact, be absolutely sure that the cutting attachment is clear of you and all other obstructions and objects, including the ground, because when the engine starts at starting-throttle, engine speed will be fast enough for the clutch to engage and move the cutting attachment.

Once the engine has started, immediately blip the throttle trigger, which should release the starting throttle and allow the engine to slow down to idle.

With the engine running only at idle, attach the power tool to the spring hook of your harness (see appropriate chapter of this manual).

### WARNING

Your power tool is a one-person machine. Do not allow other persons in the general work area, even when starting.

### WARNING

To reduce the risk of injury from loss of control, do not attempt to "drop start" your power tool.

### WARNING

When you pull the starter grip, do not wrap the starter rope around your hand. Do not let the grip snap back, but guide the starter rope to rewind it properly.

Failure to follow this procedure may result in injury to your hand or fingers and may damage the starter mechanism.

### Important Adjustments

#### **WARNING**

To reduce the risk of personal injury from loss of control or contact with the running cutting attachment, do not use your unit with incorrect idle adjustment. At correct idle speed, the cutting attachment should not move. For directions on how to adjust idle speed, see the appropriate section of your instruction manual.

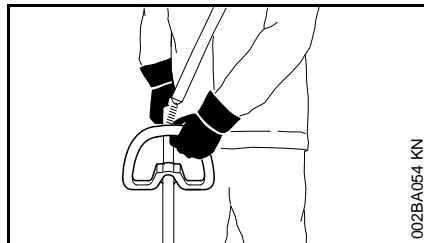
If you cannot set the correct idle speed, have your STIHL dealer check your power tool and make proper adjustments and repairs.

#### **WARNING**

This unit is equipped with an ignition system that is normally in operational readiness. After the stop switch is used to stop the engine, it automatically springs back to the "on" position in order to allow easier restarting. If the engine is warm, it may be possible to start it by simply pulling the starter rope, with no further adjustments. To reduce the risk of injury, be particularly alert to keep children away from the unit.

### During Operation

#### Holding and Controlling the Power Tool



Always hold the unit firmly with both hands on the handles while you are working. Wrap your fingers and thumbs around the handles, keeping the handles cradled between your thumb and forefinger. Keep your hands in this position to have your power tool under control at all times. Make sure your trimmer handles and grips are in good condition and free of moisture, pitch, oil, fuel mix or grease.

#### **WARNING**

To reduce the risk of injury from loss of control, never work on a ladder or on any other insecure support. Never hold the cutting attachment above waist height.

#### **WARNING**



Never attempt to operate your power tool with one hand. Loss of control of the power tool resulting in serious or fatal injury may result. To reduce the risk of cut injuries, keep hands and feet away from the cutting attachment. Never touch a moving cutting attachment with your hand or any other part of your body.

#### **WARNING**

Do not overreach. Keep proper footing and balance at all times. Special care must be taken in slippery conditions (wet ground, snow) and in difficult, overgrown terrain. Watch for hidden obstacles such as tree stumps, roots and ditches to avoid stumbling. For better footing, clear away scrub and cuttings. Be extremely cautious when working on slopes or uneven ground.

#### Working Conditions

Operate and start your power tool only outdoors in a well ventilated area. Operate it under good visibility and daylight conditions only. Work carefully.

**! WARNING**

As soon as the engine is running, this product generates toxic exhaust fumes containing chemicals, such as unburned hydrocarbons (including benzene) and carbon monoxide, that are known to cause respiratory problems, cancer, birth defects, or other reproductive harm. Some of the gases (e.g. carbon monoxide) may be colorless and odorless. To reduce the risk of serious or fatal injury/illness from inhaling toxic fumes, never run the machine indoors or in poorly ventilated locations.

**! WARNING**

If the vegetation being cut or the surrounding ground is coated with a chemical substance (such as an active pesticide or herbicide), read and follow the instructions and warnings that accompanied the substance at issue.

**! WARNING**

Inhalation of certain dusts, especially organic dusts such as mold or pollen, can cause susceptible persons to have an allergic or asthmatic reaction. Substantial or repeated inhalation of dust and other airborne contaminants, in particular those with a smaller particle size, may cause respiratory or other illnesses. Control dust at the source

where possible. Use good work practices, such as operating the unit so that the wind or operating process directs any dust raised by the power tool away from the operator. Follow the recommendations of EPA/OSHA/NIOSH and occupational and trade associations with respect to dust ("particulate matter"). When the inhalation of dust cannot be substantially controlled, i.e., kept at or near the ambient (background) level, the operator and any bystanders should wear a respirator approved by NIOSH/MSHA for the type of dust encountered.

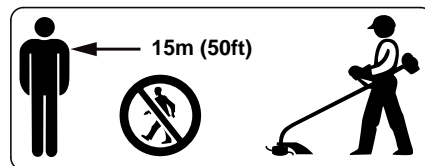
**Operating Instructions****! WARNING**

Do not operate your power tool using the starting throttle lock, as you do not have control of the engine speed.

In the event of an emergency, switch off the engine immediately – move the slide control / stop switch to 0 or STOP.

**! WARNING**

The rotating cutting attachment may fling foreign objects directly or by ricochet a great distance.



To reduce the risk of eye and other injury always wear proper eye protection (see the chapter on "Proper Clothing") and

ensure that bystanders are at least 15 m (50 feet) away. To reduce the risk of damage to property, also maintain this distance from such objects as vehicles or windows. Even maintaining a minimum distance of 15 meters cannot exclude all potential risks. Any coworkers who must be in the restricted area should also wear goggles or protective glasses. Stop the engine immediately if you are approached.

**! WARNING**

Inspect the work area: To reduce the risk of injury, remove stones, pieces of metal and other solid objects which could be thrown 15 meters or more by the cutting attachment or damage the cutting attachment or other property (e.g. parked vehicles, windows).

**! WARNING**

This trimmer is normally to be used at ground level with the cutting attachment parallel to the ground. Use of a trimmer above ground level or with the cutting attachment perpendicular to the ground may increase the risk of injury, since the cutting attachment is more fully exposed and the power tool may be more difficult to control.

**! WARNING**

During cutting, check the tightness and the condition of the cutting attachment at regular short intervals with the engine and attachment stopped. If the behavior

of the attachment changes during use, stop the engine immediately, wait until the cutting attachment stops, and check the nut securing the attachment for tightness and the head for cracks, wear or other damage.

 **WARNING**

A loose head may vibrate, crack, break or come off the trimmer, which may result in serious or fatal injury. Make sure that the cutting attachment is properly tightened. Use the wrench supplied or one of sufficient length to obtain the proper torque. If the head loosens after being properly tightened, stop work immediately. The retaining nut may be worn or damaged and should be replaced. If the blade or head continues to loosen, see your STIHL dealer. Never use a trimmer with a loose cutting attachment.

 **WARNING**

Replace a cracked, damaged or worn-out head or a cracked, bent, warped, damaged, dull or worn out blade immediately, even if damage is limited to superficial cracks. Such attachments may shatter at high speed and cause serious or fatal injury.

 **WARNING**

If the head, blade or deflector becomes clogged or stuck, always shut off the engine and make sure the cutting attachment has stopped before cleaning. Grass, weeds, etc. should be cleaned off the blade or from around the head at regular intervals.

 **WARNING**

To reduce the risk of unintentional rotation of the cutting attachment and injury, always shut off the engine and remove the spark plug boot before replacing the cutting attachment. To reduce the risk of injury, always shut off the engine before adjusting the length of the nylon line on manually adjustable mowing heads.

 **WARNING**

The gearbox becomes hot during operation. To reduce the risk of burn injury, do not touch the gear housing when it is hot.

 **WARNING**

Never modify your muffler. Any modification could cause an increase in heat radiation, sparks or sound level, thereby increasing the risk of fire, burn injury or hearing loss. You may also permanently damage the engine. Have your muffler serviced and repaired by your STIHL servicing dealer only.

 **WARNING**

The muffler and other parts of the engine (e.g. fins of the cylinder, spark plug) become hot during operation and remain hot for a while after stopping the engine. To reduce risk of burns, do not touch the muffler and other parts while they are hot. Keep the area around the muffler clean. Remove excess lubricant and all debris such as pine needles, branches or leaves. Let the engine cool down sitting on concrete, metal, bare ground

or solid wood (away from any combustible substances, such as dry brush, grass or wood chips).

 **WARNING**

An improperly mounted or damaged cylinder housing or a damaged/deformed muffler shell may interfere with the cooling process of the muffler. To reduce the risk of fire or burn injury, do not continue work with a damaged or improperly mounted cylinder housing or a damaged/deformed muffler shell.

Your muffler is furnished with a spark arresting screen designed to reduce the risk of fire from the emission of hot particles. Never operate your unit with a missing or damaged spark arresting screen. If your gas/oil mix ratio is correct (i.e., not too rich), this screen will normally stay clean as a result of the heat from the muffler and need no service or maintenance. If you experience loss of performance and you suspect a clogged screen, have your muffler maintained by a STIHL servicing dealer. Some state or federal laws or regulations may require a properly maintained spark arrestor for certain uses. See the "Maintenance, Repair and Storing" section of these Safety Precautions. Remember that the risk of a brush or forest fire is greater in hot or dry conditions.



## USING THE CUTTING ATTACHMENT

For an illustration of the various cutting attachments and instructions on proper mounting see the chapter on "Mounting the Cutting Attachment" in your instruction manual.

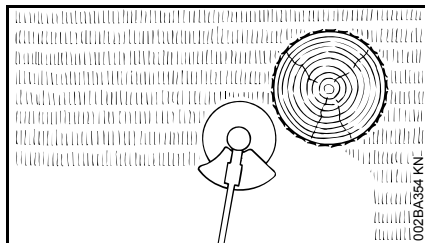
### **!** WARNING

To reduce the risk of severe or fatal injury from blade contact and / or loss of control, never attempt to use a metal blade on this trimmer.

### Using the Mowing Heads

Do not use with mowing line longer than the intended length. With a properly mounted deflector, the built-in line-limiting blade will automatically adjust the line to its proper length.

Using the unit with an overly long nylon cutting line increases the load on the engine and reduces its operating speed. This causes the clutch to slip continuously and results in overheating and damage to important components (e.g. clutch, polymer housing components). Such damage could, among other things, cause the cutting attachment to rotate at idle.



Mowing heads are to be used only on trimmers equipped with a line-limiting blade in the deflector in order to keep the line at the proper length (see "Main Parts" chapter in your instruction manual).

If the lawn edges are planted with trees or bordered by a fence etc., it is best to use a nylon line head. It achieves a "softer" cut with less risk of damaging tree bark etc. than polymer blades.

However, the polymer-bladed STIHL PolyCut produces a better cut if there are no plants along the edge of the lawn. Sharpening is not necessary, and worn polymer blades are easily replaced.

### **!** WARNING

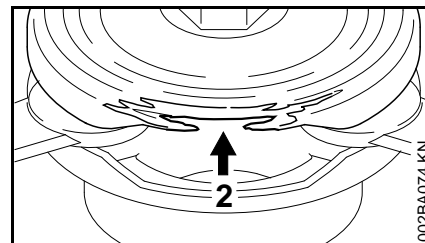
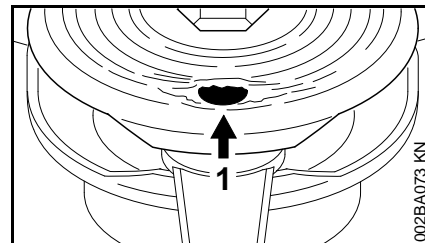
To reduce the risk of serious injury, never use wire or metal-reinforced line or other material in place of the nylon cutting lines. Pieces of wire could break off and be thrown at high speed toward the operator or bystanders.

### STIHL AutoCut mowing head

Nylon cutting cord advances automatically when tapped against the ground (TapAction).

### STIHL PolyCut mowing head

Uses nonrigid, pivoting polymer blades.



Do not continue using the PolyCut if one of the circular holes (1; arrow) becomes visible or if the projecting rim (2; arrow) has worn away. Install a new mowing head.

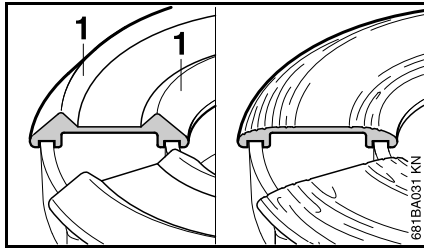
### **!** WARNING

To reduce the risk of accidents from shattered blades, avoid contact with stones, metal and similar solid objects. Check PolyCut blades for cracks at regular intervals. If a crack is found on one blade, always replace all blades.

### STIHL FixCut mowing head

Uses pre-cut lengths of nylon line.

Observe wear indicators.



Do not continue using the mowing head if the raised moldings (1) on the base are missing or worn – see right illustration above. The mowing head may otherwise shatter and flying objects could result in injury to the operator or bystanders. Install a new mowing head.

## **MAINTENANCE, REPAIR AND STORING**

Maintenance, replacement, or repair of the emission control devices and systems may be performed by any nonroad engine repair establishment or individual. However, if you make a warranty claim for a component which has not been serviced or maintained properly, STIHL may deny coverage.

### **! WARNING**

Use only identical STIHL replacement parts for maintenance and repair. Use of non-STIHL parts may cause serious or fatal injury.

Strictly follow the maintenance and repair instructions in the appropriate sections of your instruction manual.

### **! WARNING**

Always stop the engine and make sure that the cutting attachment is stopped before doing any maintenance or repair work or cleaning the power tool. Do not attempt any maintenance or repair work not described in your instruction manual. Have such work performed by your STIHL servicing dealer only.

### **! WARNING**

Use the specified spark plug, and make sure it and the ignition lead are always clean and in good condition. Always press the spark plug boot snugly onto the spark plug terminal of the proper size. (Note: If the terminal has a detachable SAE adapter nut, it must be securely attached). A loose connection between the spark plug and the ignition wire connector in the boot may create arcing that could ignite combustible fumes and cause a fire.

### **! WARNING**

Never test the ignition system by pulling the starter rope with the spark plug boot removed from the spark plug or with a removed spark plug, since the ignition is normally in the "on" position and there is a risk that uncontained sparking may cause a fire.

### **! WARNING**

Do not operate your power tool if the muffler is damaged, missing or modified. An improperly maintained muffler will increase the risk of fire and hearing loss. Your muffler is equipped with a spark-arresting screen to reduce the risk of

fire; never operate your power tool if the screen is missing, damaged or clogged. Remember that the risk of a brush or forest fire is greater in hot or dry weather.

In California, it is a violation of § 4442 or § 4443 of the Public Resources Code to use or operate gasoline-powered tools on forest-covered, brush-covered or grass-covered land unless the engine's exhaust system is equipped with a complying spark arrester that is maintained in effective working order. The owner/operator of this product is responsible for properly maintaining the spark arrester. Other states or governmental entities/agencies, such as the U.S. Forest Service, may have similar requirements. Contact your local fire agency or forest service for the laws or regulations relating to fire protection requirements.

### **! WARNING**

Never repair damaged or broken heads. This may cause parts of the cutting attachment to come off and result in serious or fatal injuries.

Tighten all nuts, bolts and screws, except the carburetor adjustment screws, after each use.

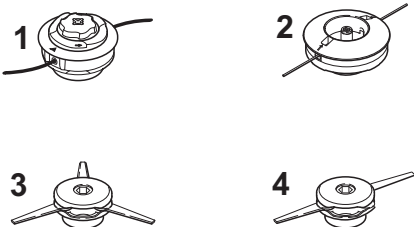
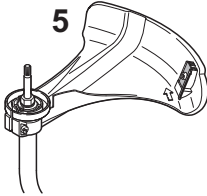


Do not clean your machine with a pressure washer. The solid jet of water may damage parts of the machine.

Store the power tool in a dry and high or locked location out of reach of children.

Before storing for longer than a few days, always empty the fuel tank. See chapter "Storing the Machine" in the instruction manual.



## Approved Combinations of Cutting Attachment, Deflector, Handle and Harness

| Cutting Attachment   | Deflector  | Handle   | Harness  |
|--|--|--|--|
|  <p>1<br/>2<br/>3<br/>4</p> |  <p>5</p> |  <p>6</p> |  <p>7</p> |

1000-GXX-0401-A4

### Approved Combinations

The complete combination includes:

- Cutting attachment
- Deflector
- Handle
- Harness

Select correct combination from the table according to the cutting attachment you intend to use.

### **!** WARNING

To reduce the risk of injury, no other combinations are permitted.

### Cutting Attachments

#### Mowing heads

- 1 STIHL AutoCut C 6-2
- 2 STIHL DuroCut 5-2
- 3 STIHL PolyCut 7-3

- 4 STIHL PolyCut 6-2

### Deflector

- 5 Deflector with blade, for mowing heads

### Handle

- 6 Loop handle

### Harness

- 7 Shoulder strap may be used

### **!** WARNING

Based on the cutting attachment being used:

Choose the proper deflector in order to reduce the risk of injury from thrown objects and contact with the cutting attachment.

Make sure your unit is equipped with the proper handle and harness in order to reduce the risk of injury from loss of control and contact with the cutting attachment.

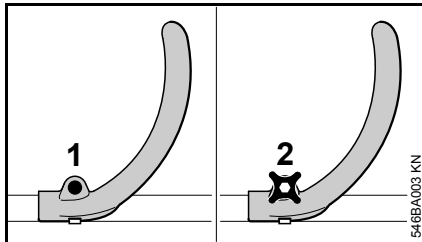
Do not use rigid polymer blades, metal cutting attachments or circular saw blades on this unit.

Only mowing heads may be used on loop-handled trimmers with a curved drive tube.

## Mounting the Loop Handle

Your new power tool comes with the loop handle mounted on the drive tube, but it must be turned and lined up to suit your requirements.

### Adjusting the loop handle



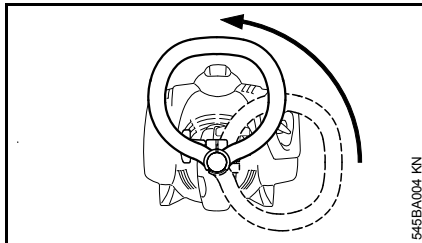
#### Versions with screw (FS 40)

- Use a screwdriver or the combination wrench to loosen the screw (1) on the handle.

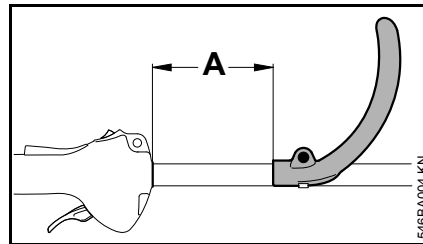
#### Versions with star knob (FS 50)

- Loosen the star knob (2) on the handle.

#### All versions



- Turn the handle to the vertical position.

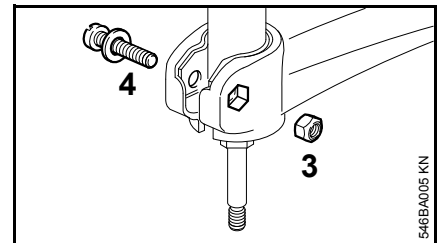
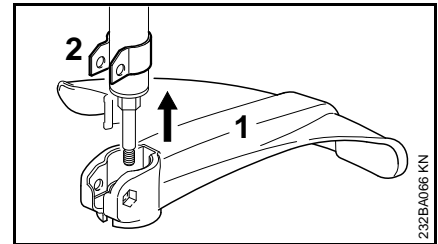


The loop handle can be adjusted to suit the height and reach of the operator and the application by changing distance (A).

Recommended distance (A): about 6 in (15 cm)

- Slide the handle to the required position.
- Tighten down the screw or star knob so that the handle cannot be rotated on the drive tube.

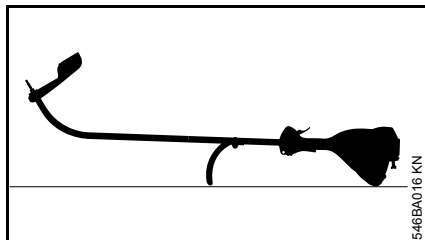
## Mounting the Deflector



- Push the deflector (1) over the clamp (2) as far as stop.
- Insert the nut (3) in the hex recess in the deflector – make sure the holes line up.
- Insert the screw (4) with washer and tighten it down firmly.

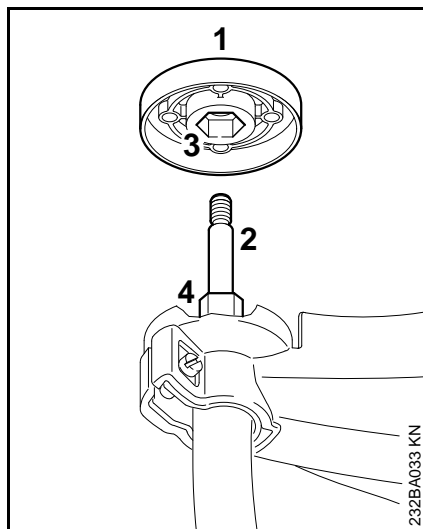
## Mounting the Cutting Attachment

### Placing power tool on the ground



- Switch off the engine.
- Lay your trimmer on its back with the loop handle and shroud pointing down and the output shaft facing up.

### Thrust Plate



The thrust plate (1) is shipped with the DuroCut 5-2 and PolyCut 6-3. It is only required for these mowing heads.

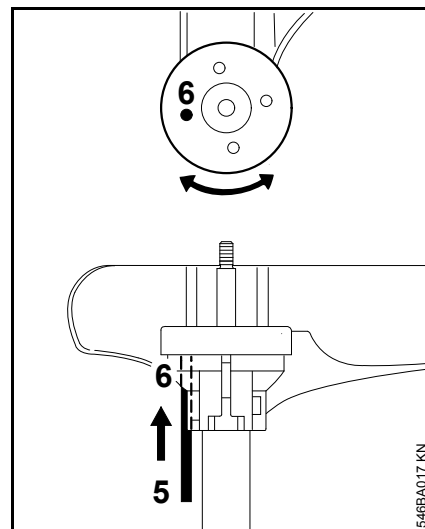
#### STIHL AutoCut 5-2 mowing head, STIHL AutoCut C 5-2 mowing head

- Pull the thrust plate (1), if fitted, off the shaft (2).

#### STIHL PolyCut 5-2 mowing head, STIHL FixCut 6-3 mowing head

- Slip the thrust plate (1) over the shaft (2) and engage the hex recess (3) on the external hexagon (4).

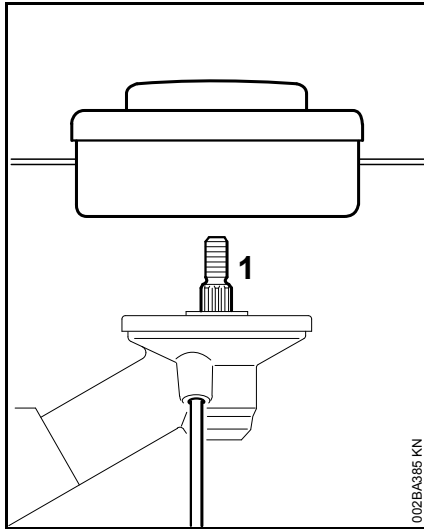
### Blocking the Shaft



- To block the shaft, insert a suitable tool (5) through the holes (6) in the deflector and thrust plate – turn the thrust plate back and forth if necessary.

### Fitting the mowing head with screw mounting

Keep the supplement sheet for the mowing head in a safe place.



- Fit the thrust plate
- Turn the mowing head anticlockwise on the shaft (1) as far as it will go
- Retain the shaft
- Tighten the mowing head

#### **NOTICE**

Remove the tool that was used to block the shaft.

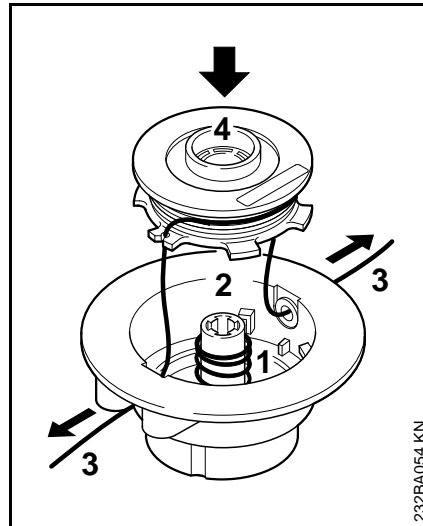
#### **Removing the Mowing Head**

- Retain the shaft
- Turn the mowing head clockwise

#### **Fitting Mowing Head without Screw Mounting**

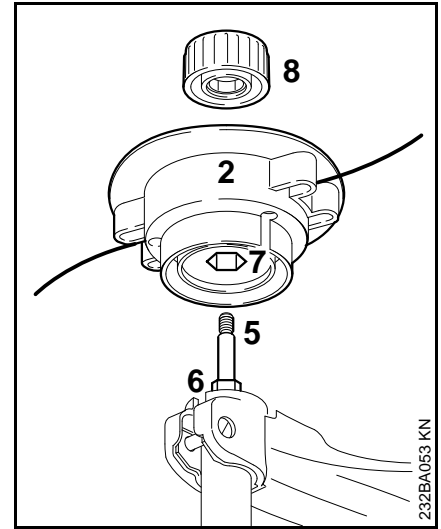
Keep the instruction leaflet for the mowing head in a safe place.

#### **STIHL AutoCut 5-2**



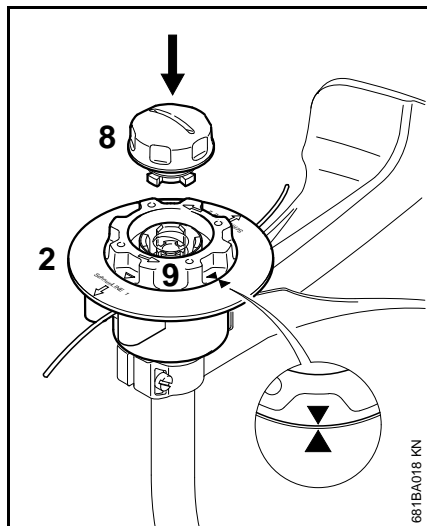
- Fit the spring (1) in the mowing head (2).
- Wind the mowing line (3) on to the spool (4).
- Thread the nylon line through the sleeves and fit the spool in the head.

The individual steps are described in the instruction sheet supplied.



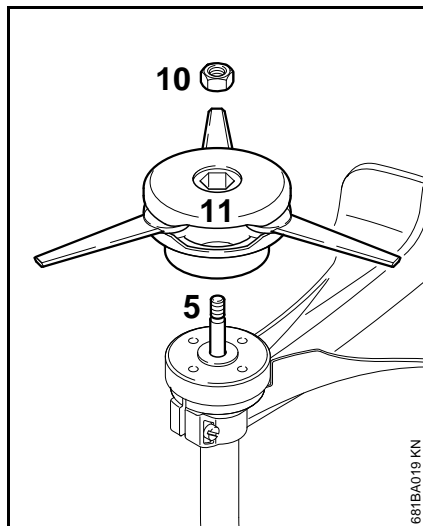
- Slip the mowing head (2) over the shaft (5) and engage hex recess (7) on the external hexagon (6).
- Fit the cap (8) on the mowing head – screw it clockwise on to the shaft as far as stop and tighten it down firmly.

## STIHL AutoCut C 5-2



- Slip the mowing head (2) on to the shaft – as AutoCut 5-2.
- Turn the spool (9) clockwise until the two arrow heads line up – secure the spool in this position.
- Insert the cap (8) in the spool, press it down as far as stop and turn it clockwise at the same time.
- Turn the cap until you feel resistance and then tighten it down firmly by hand.

## STIHL PolyCut 6-3



- Fit the thrust plate on the shaft.
- Insert the nut (10) in the mowing head.
- Screw the mowing head (11) clockwise on to the shaft (5) as far as stop.
- Block the shaft.
- Tighten down the mowing head firmly.

**! WARNING**

If the mounting nut has become too loose, fit a new one.

**NOTICE**

Remove the tool used to block the shaft.

**Remove the mowing head.**

**STIHL AutoCut**

- Hold the mowing head steady.
- Unscrew the cap counterclockwise.

**STIHL PolyCut**

- Block the shaft.
- Unscrew the mowing head counterclockwise.

## Fuel

This engine is certified to operate on unleaded gasoline and the STIHL two-stroke engine oil at a mix ratio of 50:1.

Your engine requires a mixture of high-quality gasoline and two-stroke air cooled engine oil.

Use mid-grade unleaded gasoline with a minimum octane rating of 89 ((R+M)/2) and no more than 10% ethanol content.

### NOTICE

Fuel with an octane rating below 89 may increase engine temperatures. This, in turn, increases the risk of piston seizure and damage to the engine.

The chemical composition of the fuel is also important. Some fuel additives not only detrimentally affect elastomers (carburetor diaphragms, oil seals, fuel lines, etc.), but magnesium castings and catalytic converters as well. This could cause running problems or damage the engine. For this reason STIHL recommends that you use only quality unleaded gasoline!

### NOTICE

Gasoline with an ethanol content of more than 10% can cause running problems and major damage in engines and should not be used.

For further details, see [www.STIHLusa.com/ethanol](http://www.STIHLusa.com/ethanol)

The ethanol content in gasoline affects engine speed – it may be necessary to readjust the carburetor if you use fuels with various ethanol contents.

### WARNING

To reduce the risk of personal injury from loss of control and/or contact with the running cutting tool, do not use your unit with an incorrect idle adjustment. At correct idle speed, the cutting tool should not move.

If your machine's idle speed is incorrectly adjusted, have your authorized STIHL servicing dealer check your machine and make the proper adjustments and repairs.

The idle speed and maximum speed of the engine change if you switch from a fuel with a certain ethanol content to a fuel with a much higher or lower ethanol content.

This problem can be avoided by always using fuel with the same ethanol content.

To ensure the maximum performance of your STIHL engine, use a high quality 2-cycle engine oil. To help your engine run cleaner and reduce harmful carbon deposits, STIHL recommends using STIHL HP Ultra 2-cycle engine oil or ask your dealer for an equivalent fully synthetic 2-cycle engine oil.

To meet the requirements of EPA and CARB we recommend to use STIHL HP Ultra oil.

### **STIHL MotoMix**

---

STIHL recommends the use of STIHL MotoMix. STIHL MotoMix has a high octane rating and ensures that you always use the right gasoline/oil mix ratio.

STIHL MotoMix uses STIHL HP Ultra two-stroke engine oil suited for high performance engines.

For further details, see [www.STIHLusa.com/ethanol](http://www.STIHLusa.com/ethanol)

If not using MotoMix, use only STIHL two-stroke engine oil or equivalent high-quality two-stroke engine oils that are designed for use in air cooled two-cycle engines.

The use of non-seasonal gasoline blends may increase the potential for pressure to build in the fuel tank during operation. For example, using a winter blend during the summer will increase pressure in the fuel tank. Always use gasoline blends appropriate to the season, altitude and other environmental factors.

Do not use NMMA or TCW rated (two-stroke water cooled) mix oils or other mix oils that state they are for use in both water cooled and air cooled engines (e.g., outboard motors, snowmobiles, chain saws, mopeds, etc.).

### WARNING

Take care when handling gasoline. Avoid direct contact with the skin and avoid inhaling fuel vapor. When filling at the pump, first remove the container from your vehicle and place the container on the ground before filling. To reduce the risk of sparks from static discharge and resulting fire and/or explosion, do not fill fuel containers that are sitting in or on a vehicle or trailer.

The container should be kept tightly closed in order to limit the amount of moisture that gets into the mixture.

The machine's fuel tank should be cleaned as necessary.

### Fuel mix ages

If not using MotoMix, only mix sufficient fuel for a few days of work, not to exceed 30 days of storage. Store in approved fuel-containers only. When mixing, pour oil into the container first, and then add gasoline. Close the container and shake it by hand to ensure proper mix of oil and gasoline.

### WARNING

Shaking fuel can cause pressure to build in the fuel container. To reduce the risk of fire and severe personal injury or property damage from fuel spraying, allow the fuel container to sit for several minutes before opening. Open the container slowly to release any residual pressures. Never open the fuel container in the vicinity of any ignition source. Read and follow all warnings and instructions that accompany your fuel container.

| Gasoline<br>US gal. | Oil (STIHL 50:1 or equivalent high-quality oils)<br>US fl.oz. |
|---------------------|---|
| 1                   | 2.6   |
| 2 1/2               | 6.4   |
| 5                   | 12.8  |

Dispose of empty mixing-oil containers only at authorized disposal locations.

## Fueling

### WARNING



Removing the cap on a pressurized fuel tank can result in gasoline, vapors and fumes being forcefully sprayed out from the tank in all directions. The escaping gasoline, vapors or fumes, sometimes referred to as fuel spraying or "geysering," can cause serious personal injury, including fire and burn injury, or property damage.

Fuel spraying can occur when the engine is hot and the tank is opened while under pressure. It can occur in hot environments even if the engine has not been running. Spraying is more likely to occur when the fuel tank is half full or more.

### Avoid Injuries from Fuel Spraying.

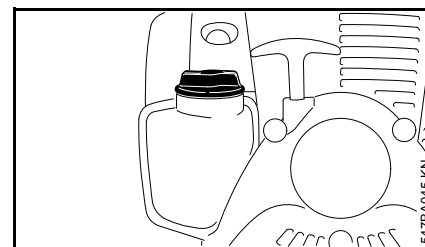
Always follow the fueling instructions in this manual:

- Treat every fuel tank as if it is pressurized, particularly if it is half full or more.
- Always allow the power tool to cool adequately before attempting to open the fuel tank or refueling; this will take longer in hot conditions.

- Never remove the cap by turning it directly to the open position. Turn it first approximately 1/2 of a turn counter-clockwise to relieve any residual pressure.
- Never open the fuel tank while the engine is still hot or running.
- Never open the fuel tank or re-fuel the power tool near any sparks, flames or other ignition sources.
- Pick the right fuel: use only good quality (89 octane or higher), fresh fuel blended for the season.
- Vapor lock: do not remove the fuel cap in an effort to relieve vapor lock. Removing the cap has no effect on vapor lock.
- Be aware that fuel spraying is more likely at higher altitudes.



### Preparations

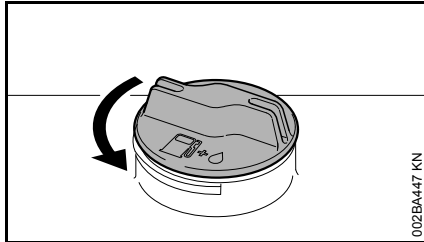


- Before fueling, clean the filler cap and the area around it to ensure that no dirt falls into the tank.
- Position the machine so that the filler cap is facing up.

**! WARNING**

In order to reduce the risk of fire and other personal injury from escaping gas vapor and fumes, remove the fuel filler cap slowly and carefully so as to allow any pressure build-up in the tank to release slowly.

**Opening**



**! WARNING**

After allowing the power tool to cool, remove the fuel filler cap slowly and carefully to allow any remaining pressure build-up in the tank to release:

- While maintaining steady, downward pressure, slowly turn the cap approximately a 1/2 turn counter-clockwise.
- If any significant venting occurs, immediately re-seal the tank by turning the cap clockwise to the closed position. Allow the power tool to cool further before attempting to open the tank.
- Turn the cap to the open position only after the contents of the tank are no longer under pressure.
- Remove the fuel filler cap.

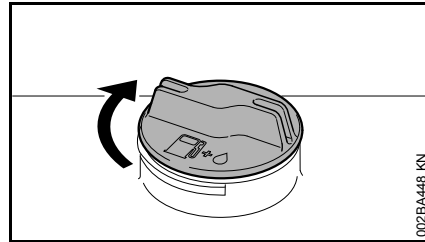
**! WARNING**

Never remove the cap by turning it directly to the open position. First allow the power tool to cool adequately and then release any residual pressure by slowly turning the cap approximately 1/2 turn counter-clockwise. Never attempt to remove the cap while the engine is still hot or running.

**Refueling**

Take care not to spill fuel while fueling and do not overfill the tank – leave approximately 1/2" (13 mm) air space.

**Closing**



**! WARNING**

An improperly tightened fuel filler cap can loosen or come off and spill quantities of fuel. To reduce the risk of fuel spillage and fire from an improperly installed fuel cap, tighten the fuel filler cap by hand with as much force as possible:

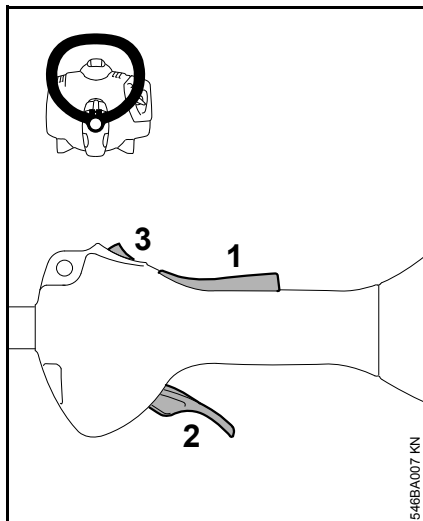
- If your fuel cap still does not tighten properly, it may be damaged or broken. Stop using the power tool and take it to your authorized STIHL dealer for repair or replacement.



## Starting / Stopping the Engine

### Controls

#### Version with loop handle

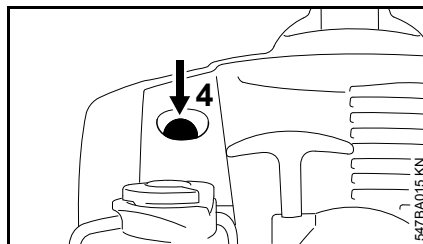


- 1 Throttle trigger lockout
- 2 Throttle trigger
- 3 Stop switch with Run and 0 = Stop positions.

#### Function of stop switch and ignition system

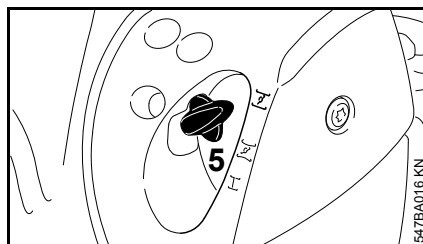
The stop switch is normally in the Run position, i.e. when it is not depressed: The ignition is switched on – the engine is ready to start. If the stop switch is moved to the 0 position, the ignition is switched off. The ignition is switched on again automatically after the engine stops.

### Starting the Engine



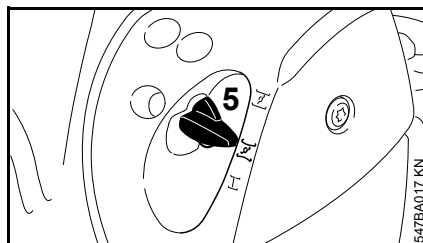
- Press the manual fuel pump bulb (4) at least five times – even if the bulb is filled with fuel.

#### Cold engine (cold start)



- Press in the choke lever (5) and turn it to  $\overline{I}$  at the same time.

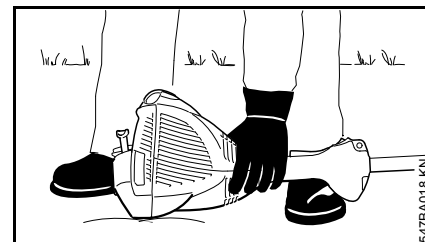
#### Warm engine (warm start)



- Press in the choke lever (5) and turn it to  $\overline{II}$  at the same time.

Also use this setting if the engine has been running but is still cold.

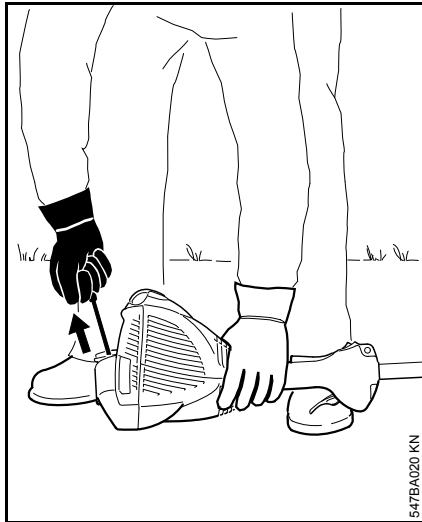
### Cranking



- Place the unit on the ground: It must rest securely on the engine support and the deflector. Check that the cutting attachment is not touching the ground or any other obstacles.
- Make sure you have a safe and secure footing.
- Hold the unit firmly on the ground with your left hand and press down – do not touch the throttle trigger or lockout lever.

#### **NOTICE**

Do not stand or kneel on the drive tube.



- Hold the starter grip with your right hand.

#### Version without Easy2Start

- Pull the starter grip slowly until you feel it engage and then give it a brisk strong pull.

#### Version with Easy2Start

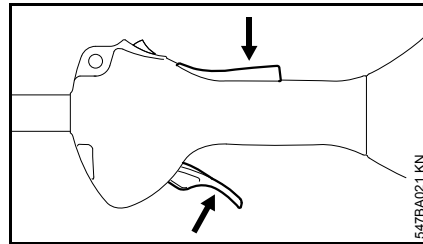
- Pull the starter grip steadily.

#### NOTICE

Do not pull out the starter rope all the way – it might otherwise break.

- Do not let the starter grip snap back. Guide it slowly back into the housing so that the starter rope can rewind properly.
- Continue cranking until the engine runs.

#### As soon as the engine runs



- Press down the throttle trigger lockout and open the throttle – the choke lever moves to the run position I. After a cold start, warm up the engine by opening the throttle several times.

#### **!** WARNING

Make sure the carburetor is correctly adjusted. The cutting attachment must not rotate when the engine is idling.

Your machine is now ready for operation.

#### Stopping the Engine

- Move the stop switch in the direction of 0 – the engine stops – release the stop switch – it springs back to the run position.

#### Other Hints on Starting

#### Engine stalls in cold start position **I** or under acceleration

- Move the choke lever to **II** and continue cranking until the engine runs.

#### Engine does not start in warm start position **II**

- Move the choke lever to **I** and continue cranking until the engine runs.

#### If the engine does not start

- Check that all settings are correct.
- Check that there is fuel in the tank and refuel if necessary.
- Check that the spark plug boot is properly connected.
- Repeat the starting procedure.

#### Engine is flooded

- Move the choke lever to **I** and continue cranking until the engine runs.

#### Fuel tank run until completely dry

- After refueling, press the manual fuel pump bulb at least five times – even if the bulb is filled with fuel.
- Set the choke lever to suit the engine temperature.
- Now start the engine.

## Operating Instructions

### During break-in period

A factory-new machine should not be run at high revs (full throttle off load) for the first three tank fillings. This avoids unnecessary high loads during the break-in period. As all moving parts have to bed in during the break-in period, the frictional resistances in the engine are greater during this period. The engine develops its maximum power after about 5 to 15 tank fillings.

### During Operation

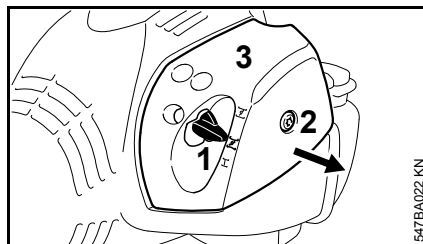
After a long period of full throttle operation, allow the engine to run for a short while at idle speed so that engine heat can be dissipated by the flow of cooling air. This protects engine-mounted components (ignition, carburetor) from thermal overload.

### After Finishing Work

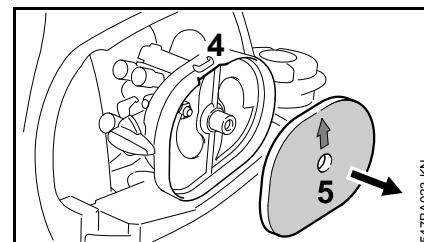
Storing for a short period: Wait for the engine to cool down. Empty the fuel tank and keep the machine in a dry place, well away from sources of ignition, until you need it again. For longer out-of-service periods – see "Storing the Machine".

## Cleaning the Air Filter

If there is a noticeable loss of engine power



- Move the choke lever (1) to  $\overline{\text{X}}$ .
- Turn the screw (2) in the filter cover (3) counterclockwise until the cover is loose.
- Ease the filter cover (3) over the choke lever and lift it away.
- Clean away loose dirt from around the filter.



- Reach into the recess (4) in the filter housing and take out the felt filter (5).
- Fit a new felt filter element (5). As a temporary measure you can knock it out on the palm of your hand or blow it out with compressed air. Do not wash.

### NOTICE

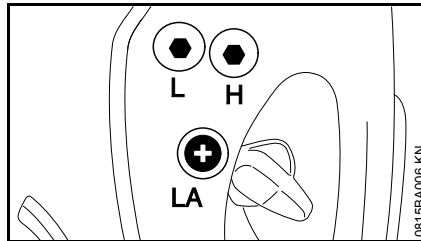
Replace damaged parts.

- Fit the felt filter (5) in the filter housing, make sure it is properly seated – the arrow points to the recess.
- Move the choke lever (1) to  $\overline{\text{X}}$ .
- Fit the filter cover in position, making sure the screw is square. Tighten down the screw.

## Engine Management

Exhaust emissions are controlled by the design of the engine and components (e.g. carburation, ignition, timing and valve or port timing).

## Adjusting the Carburetor



The carburetor has been set at the factory to provide an optimum fuel-air mixture under most operating conditions.

### Adjusting Idle Speed

#### Engine stops while idling

- Warm up the engine for about 3 minutes.
- Turn the idle speed screw (LA) slowly clockwise until the engine runs smoothly – the cutting attachment must not run.

#### Cutting attachment runs when engine is idling

- Turn the idle speed screw (LA) counterclockwise until the cutting attachment stops moving and then rotate the screw another 1/2 to 3/4 turn in the same direction.

#### WARNING

If the cutting attachment continues to run when the engine is idling, have your machine checked and repaired by your servicing dealer.

## Spark Plug

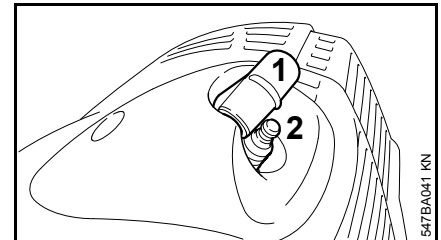
If there is a loss of engine power, the machine is difficult to start or runs poorly at idle, first check the spark plug.

Install a new spark plug after approximately 100 operating hours or earlier if the electrodes are eroded/corroded.

The wrong fuel mix (too much engine oil in the gasoline), a dirty air filter and unfavorable running conditions (mostly at part throttle etc.) affect the condition of the spark plug. These factors cause deposits to form on the insulator nose, which may degrade performance.

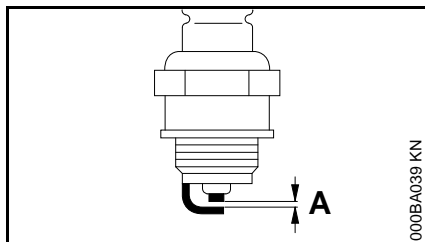
### Removing the Spark Plug

- Shut off the engine.



- Remove the spark plug boot (1).
- Unscrew the spark plug (2).

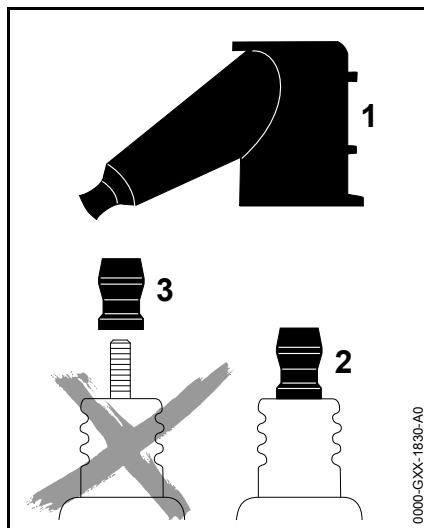
## Checking the spark plug



- Clean the spark plug if it is dirty
- Check the electrode gap (A) and readjust if necessary – see "Specifications"
- Use only resistor type spark plugs of the approved range. See the chapter "Specifications" in this instruction manual

Correct the problems that have caused fouling of the spark plug:

- too much oil in fuel mix;
- dirty air filter; or
- unfavorable running conditions, e.g. operating at part throttle.



### **!** WARNING

To reduce the risk of fire and burn injury, use only spark plugs authorized by STIHL. Always press the spark plug boot (1) firmly and securely onto the spark plug terminal (2).

Do not use a spark plug with a detachable SAE adapter terminal (3). Arcing may occur that could ignite combustible fumes and cause a fire. This can result in serious injuries or damage to property.

- Only use resistor type spark plugs with solid, non-threaded terminals

## Installing the Spark Plug

- Screw the spark plug into the cylinder.
- Press the boot firmly onto the spark plug.

## Engine Running Behavior

If engine running behavior is unsatisfactory even though the air filter is clean and the carburetor is properly adjusted, the cause may be the muffler.

Have the muffler checked for contamination (carbonization) by your servicing dealer.

STIHL recommends that you have servicing and repair work carried out exclusively by an authorized STIHL servicing dealer.

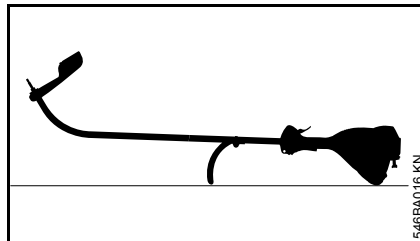
## Storing the Machine

For periods of about 3 months or longer

- Drain and clean the fuel tank in a well ventilated area.
- Dispose of fuel properly in accordance with local environmental requirements.
- Run the engine until the carburetor is dry – this helps prevent the carburetor diaphragms sticking together.
- Remove, clean and inspect the cutting attachment. Coat metal cutting attachments with corrosion inhibitor.
- Thoroughly clean the machine – pay special attention to the cylinder fins and air filter.
- Store the machine in a dry and secure location – out of the reach of children and other unauthorized persons.

## Maintaining the Mowing Head

### Placing power tool on the ground



- Switch off the engine.
- Lay your trimmer on its back with the loop handle and shroud pointing down and the output shaft facing up.

### Replacing Nylon Line

Always check the mowing head for signs of wear before replacing the nylon line.

#### **! WARNING**

If there are signs of serious wear, replace the complete mowing head.

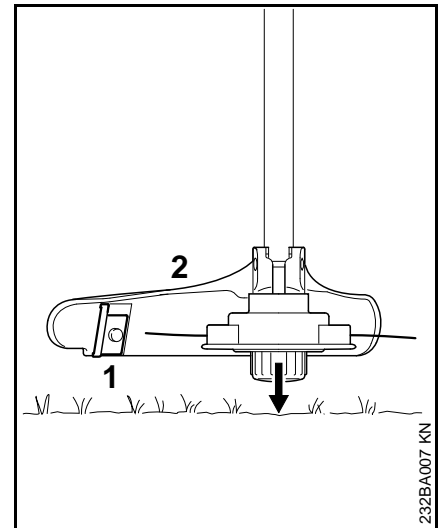
The nylon mowing line is referred to as "nylon line" or "line" in the following.

The mowing head is supplied with illustrated instructions for replacing the nylon line. Keep the instructions for the mowing head in a safe place.

- If necessary, remove the mowing head.

## Adjusting Nylon Line

### STIHL AutoCut



- Hold the rotating mowing head above the ground – tap it on the ground once – about 3 cm (1.2 in) of fresh line is advanced.
- The blade (1) on the deflector (2) trims surplus line to the correct length – avoid tapping the mowing head more than once at a time.

Line feed operates only if both lines still have a minimum length of 2.5 cm (1 in).

If the line is shorter than 2.5 cm (1 in):

#### **! WARNING**

To reduce the risk of injury, always shut off the engine before adjusting the nylon mowing line by hand.

- Turn the machine over.
- Press down the cap on the spool as far as stop.
- Pull the ends of the lines out of the spool.

If the spool is empty, refill with nylon line.

### All other mowing heads

Refer to the leaflet supplied with the mowing head.

### **!** WARNING

To reduce the risk of injury, always shut off the engine before adjusting the nylon mowing line by hand.

### Replacing Nylon Line

#### STIHL DuroCut

### **!** WARNING

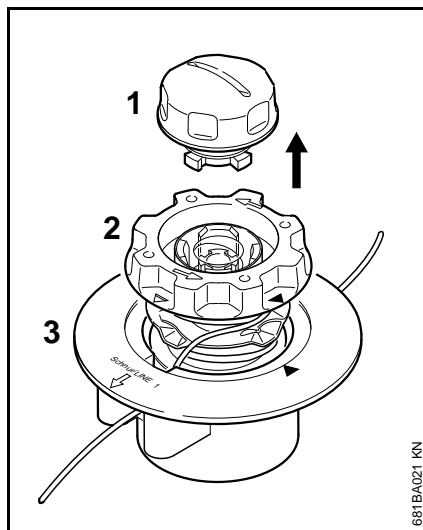
To reduce the risk of injury, always shut off the engine before refilling the mowing head.

- Fit nylon line in the mowing head as described in the instructions supplied.

### STIHL AutoCut C 5-2

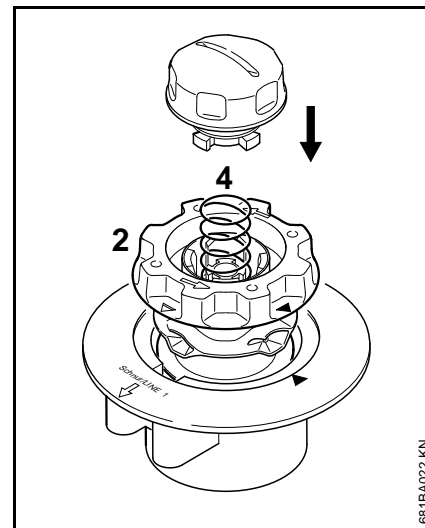
#### Disassembling the mowing head and removing remaining nylon line

In normal operation, the supply of nylon line in the head is used up almost completely.



- Hold the mowing head steady and rotate the cap (1) counterclockwise until it can be removed.
- Pull the spool (2) out of the mowing head (3) and remove the remaining line.

#### Assembling the mowing head

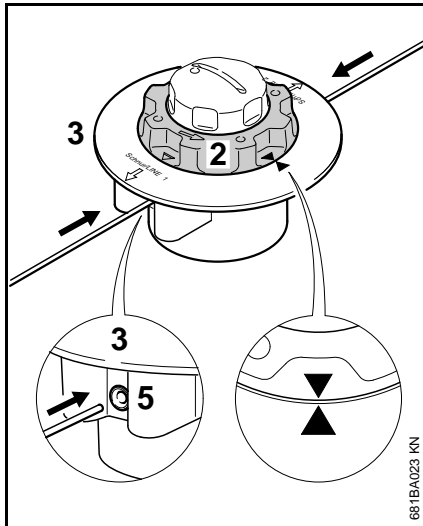


- Fit the empty spool in the mowing head.

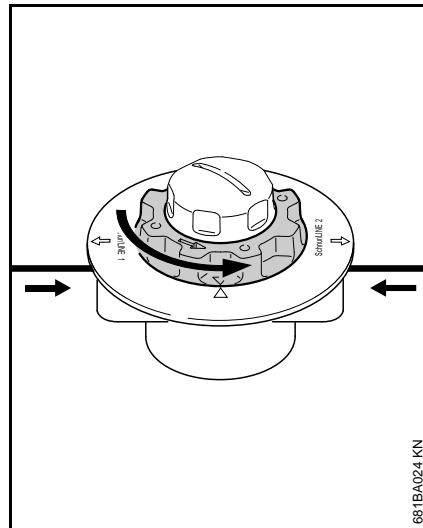
If the spring (4) has popped out:

- push it into the spool (2) until it engages in position with an audible click.
- Mount the mowing head – see "Mounting the Mowing Head".

### Winding line onto spool



- Use green-coded nylon line with a diameter of 2 mm (0.08 in).
- Cut two 2 m (6ft 6in) lengths of nylon line from the reel (special accessory).
- Rotate the spool (2) counterclockwise until the two arrow points are in alignment.
- Push the straight end of each line through one of the sleeves (5) in the mowing head (3) until you feel a noticeable resistance – and then continue pushing as far as stop.

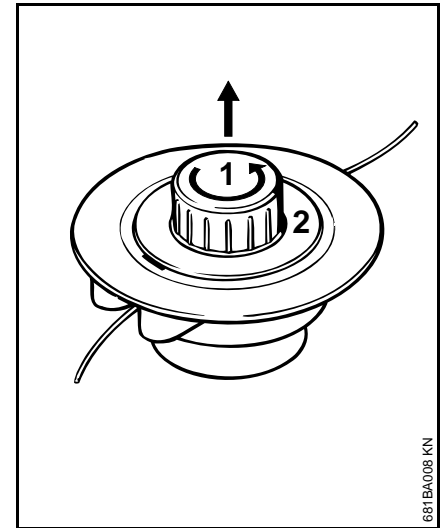


- Hold the mowing head steady.
- Rotate the spool counterclockwise until the shortest line is about 10 cm (4 in).
- If necessary, cut the longer line to a length of about 10 cm (4 in).

The mowing head is now full.

### STIHL AutoCut 5-2

#### Removing remaining nylon line

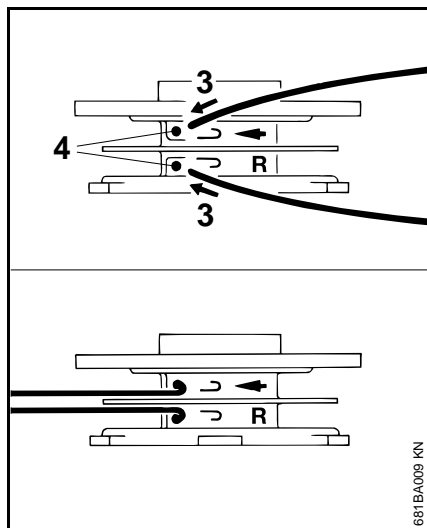


- Open the mowing head – hold it steady with one hand and turn the cap (1) counterclockwise.
- Disengage the spool (2), take it out of the mowing head and remove the remaining line.

#### Winding line onto spool

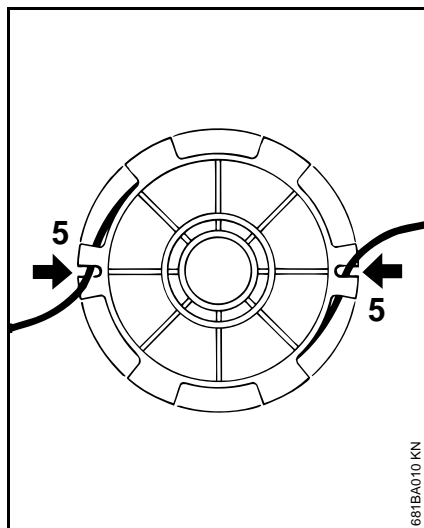
A prewound spool (special accessory) may be used as an alternative to the following procedure.





681BA009 KN

- Use green-coded nylon line with a diameter of 2.0 mm (0.08 in).
- Cut two 3 m (9ft 9in) lengths of nylon line from the reel (special accessory).
- Insert the ends of each line (3) in the holes (4) in the spool.
- Bend the ends of the lines over the edge of the holes to form a hook.



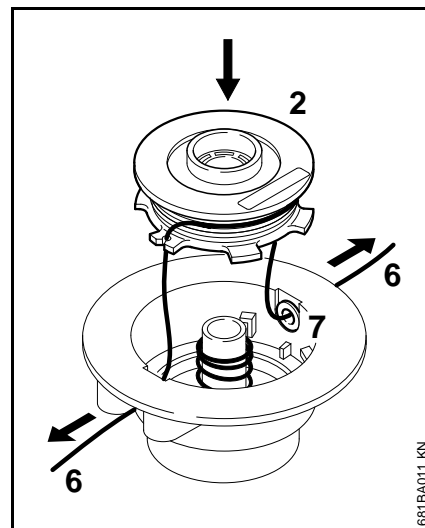
681BA010 KN

- Straighten out the nylon lines and wind them tightly on to the spool – one nylon line in each chamber.
- Engage the ends of the lines in the notches (2).

### Assembling the mowing head

#### NOTICE

Check that the spring is installed (see "Mounting the Mowing Head").



681BA011 KN

- Thread the ends of the lines (6) through the sleeves (7) and push the spool (2) into the head so that it snaps into position.

The nylon lines must disengage from the notches (5) as the spool is pushed into position.

- Pull out the ends of the lines as far as stop.
- Mount the mowing head on the machine.

### Replacing Cutting Blades

#### STIHL PolyCut

Always check the mowing head for signs of wear before installing new cutting blades.

 **WARNING**

If there are signs of serious wear, replace the complete mowing head.

The thermoplastic cutting blades are referred to as "blades" in the following.

The mowing head is supplied with illustrated instructions for replacing the blades. Keep the instructions for the mowing head in a safe place.

 **WARNING**

To reduce the risk of injury, always shut off the engine before installing the blades.

- Remove the mowing head.
- Replace blades as shown in the illustrated instructions.
- Mount the mowing head on the machine.

## Inspections and Maintenance by Dealer

### Spark arresting screen in muffler

 **WARNING**

To reduce the risk of fire caused by hot particles escaping from the machine, never operate the machine without a spark arresting screen, or with the spark arresting screen damaged. Do not modify the muffler or spark arresting screen. To reduce the risk of fire from accumulated debris such as pine needles, branches or leaves, ensure that the muffler plugs are in place before taking up work.

### ***NOTICE***

According to the law or regulations in some countries or federal states, certain operations may only be carried out if a properly serviced spark arresting screen is provided.

- If the engine is down on power, check the spark arresting screen in the muffler.
- If the muffler plugs are missing or damaged, mount new plugs.

STIHL recommends that maintenance and repair work be carried out only by authorized STIHL dealers.

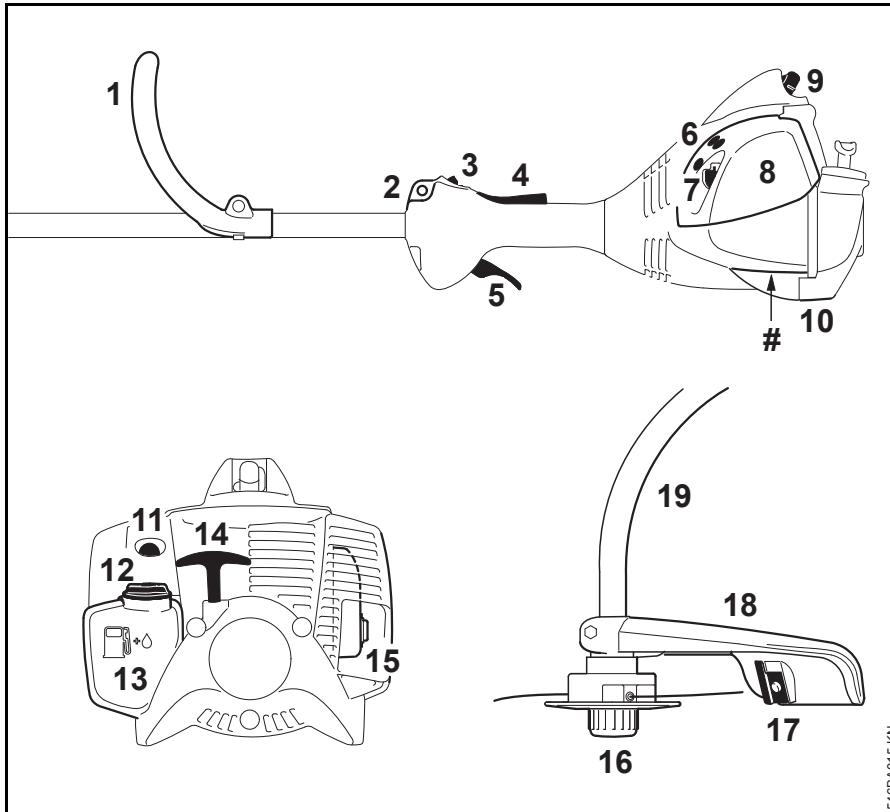
## Maintenance and Care

| The following intervals apply to normal operating conditions only. If your daily working time is longer or operating conditions are difficult (very dusty work area, etc.), shorten the specified intervals accordingly. |  | before starting work | after finishing work or daily | after each refueling stop | weekly | monthly | every 12 months | if problem | if damaged | as required |
|--|--|----------------------|-------------------------------|---------------------------|--------|---------|-----------------|------------|------------|-------------|
|  |  |                      |                               |                           |        |         |                 |            |            |             |
| Complete machine   | Visual inspection (condition, leaks)                           | X                    |                               | X                         |        |         |                 |            |            |             |
|  | Clean  |                      | X                             |                           |        |         |                 |            |            |             |
| Control handle   | Check operation  | X                    |                               | X                         |        |         |                 |            |            |             |
| Air filter   | Clean  |                      |                               |                           |        |         |                 | X          |            | X           |
|  | Replace  |                      |                               |                           |        |         |                 |            | X          |             |
| Manual fuel pump (if fitted)   | Check  | X                    |                               |                           |        |         |                 |            |            |             |
|  | Have repaired by servicing dealer <sup>1)</sup>                |                      |                               |                           |        |         |                 |            | X          |             |
| Pickup body in fuel tank   | Check  |                      |                               |                           |        |         |                 | X          |            |             |
|  | Replace  |                      |                               |                           |        |         | X               |            | X          | X           |
| Fuel tank  | Clean  |                      |                               |                           |        |         |                 | X          |            | X           |
| Carburetor   | Check idle adjustment – the cutting attachment must not rotate | X                    |                               | X                         |        |         |                 |            |            |             |
|  | Readjust idle  |                      |                               |                           |        |         |                 |            |            | X           |
| Spark plug   | Readjust electrode gap   |                      |                               |                           |        |         |                 | X          |            |             |
|  | Replace after every 100 operating hours                        |                      |                               |                           |        |         |                 |            |            |             |
| Cooling inlets   | Visual inspection  |                      | X                             |                           |        |         |                 |            |            |             |
|  | Clean  |                      |                               |                           |        |         |                 |            |            | X           |
| Spark arresting screen in muffler  | Have checked by servicing dealer <sup>1)</sup>                 |                      |                               |                           |        |         |                 | X          |            |             |
|  | Have cleaned or replaced by servicing dealer <sup>1)</sup>     |                      |                               |                           |        |         |                 |            | X          | X           |
| All accessible screws and nuts (not adjusting screws)  | Retighten  |                      |                               |                           |        |         |                 |            |            | X           |

| The following intervals apply to normal operating conditions only. If your daily working time is longer or operating conditions are difficult (very dusty work area, etc.), shorten the specified intervals accordingly. |                   | before starting work | after finishing work or daily | after each refueling stop | weekly | monthly | every 12 months | if problem | if damaged | as required |
|--|-------------------|----------------------|-------------------------------|---------------------------|--------|---------|-----------------|------------|------------|-------------|
|  |                   |                      |                               |                           |        |         |                 |            |            |             |
| Cutting attachment   | Visual inspection | X                    |                               | X                         |        |         |                 |            |            |             |
|  | Replace           |                      |                               |                           |        |         |                 |            | X          |             |
|  | Check tightness   | X                    |                               | X                         |        |         |                 |            |            |             |
| Safety labels  | Replace           |                      |                               |                           |        |         |                 |            | X          |             |

1) STIHL recommends an authorized STIHL servicing dealer.

## Main Parts



- 1 Loop Handle
- 2 Carrying Ring
- 3 Stop Switch
- 4 Throttle Trigger Lockout
- 5 Throttle Trigger
- 6 Carburetor Adjusting Screws
- 7 Choke Lever
- 8 Air Filter Cover
- 9 Spark Plug Boot
- 10 Machine Support
- 11 Manual Fuel Pump
- 12 Fuel Filler Cap
- 13 Fuel Tank
- 14 Starter Grip
- 15 Muffler with Spark Arresting Screen
- 16 Mowing Head
- 17 Line Limiting Blade
- 18 Deflector
- 19 Drive Tube
- # Serial Number

546BA015 KN

## Definitions

---

- 1 Loop Handle**  
For easy control of machine during cutting work.
- 2 Carrying Ring**  
Connects the unit to the harness.
- 3 Stop Switch**  
Switches the engine's ignition off and stops the engine.
- 4 Throttle Trigger Lockout**  
Must be depressed before the throttle trigger can be activated.
- 5 Throttle Trigger**  
Controls the speed of the engine.
- 6 Carburetor Adjusting Screws**  
For tuning the carburetor.
- 7 Choke Lever**  
Eases engine starting by enriching mixture.
- 8 Air Filter Cover**  
Covers and protects the air filter element.
- 9 Spark Plug Boot**  
Connects the spark plug with the ignition lead.
- 10 Machine Support**  
For resting machine on the ground.
- 11 Manual Fuel Pump**  
Provides additional fuel feed for a cold start.
- 12 Fuel Filler Cap**  
For closing the fuel tank.
- 13 Fuel Tank**  
For fuel and oil mixture.

- 14 Starter Grip**  
The grip of the pull starter, for starting the engine.
- 15 Muffler with Spark Arresting Screen**  
Muffler reduces exhaust noises and diverts exhaust gases away from operator.  
Spark arresting screen is designed to reduce the risk of fire.
- 16 Mowing Head**  
The cutting attachment, i.e. mowing head, for different purposes.
- 17 Line Limiting Blade**  
Metal blade on the deflector which keeps the line of the mowing head at the proper length.
- 18 Deflector**  
Designed to reduce the risk of injury from foreign objects flung backwards toward the operator by the cutting attachment and from contact with the cutting attachment.
- 19 Drive Tube**  
Encloses and protects the drive shaft between the engine and bearing housing.

## Specifications

### EPA / CEPA

The Emission Compliance Period referred to on the Emissions Compliance Label indicates the number of operating hours for which the engine has been shown to meet Federal emission requirements.

Category

A = 300 hours

B = 125 hours

C = 50 hours

### CARB

The Emission Compliance Period used on the CARB-Air Index Label indicates the terms:

Extended = 300 hours

Intermediate = 125 hours

Moderate = 50 hours

### Engine

Single cylinder two-stroke engine

### **FS 40, FS 40 C**

Displacement: 1.66 cu. in  
(27.2 cc)

Bore: 1.34 in (34 mm)

Stroke: 1.18 in (30 mm)

Engine power to ISO 8893: 0.9 HP (0.7 kW)  
at 8,500 rpm

|   |            |
|---|------------|
| Idle speed:                                   | 2,800 rpm  |
| Cut-off speed (rated):                        | 10,000 rpm |
| Max. output shaft speed (cutting attachment): | 10,600 rpm |

### FS 50, FS 50 C

|   |                                 |
|---|---------------------------------|
| Displacement:                                 | 1.66 cu. in<br>(27.2 cc)        |
| Bore:   | 1.34 in (34 mm)                 |
| Stroke:                                       | 1.18 in (30 mm)                 |
| Engine power to ISO 8893                      | 1.1 HP (0.8 kW)<br>at 8,500 rpm |
| Idle speed:                                   | 2,800 rpm                       |
| Cut-off speed (rated):                        | 10,000 rpm                      |
| Max. output shaft speed (cutting attachment): | 10,600 rpm                      |

### Ignition System

|                             |                  |
|-----------------------------|------------------|
| Electronic magneto ignition |                  |
| Spark plug (resistor type): | NGK CMR 6 H      |
| Electrode gap:              | 0.02 in (0.5 mm) |

### Fuel System

All position diaphragm carburetor with integral fuel pump

Fuel tank capacity: 11.5 fl.oz (0.34 l)

### Weight

Dry, without cutting attachment and deflector

### Standard version

|                        |                     |
|------------------------|---------------------|
| FS 40:                 | 9.7 lbs<br>(4.4 kg) |
| FS 50:                 | 9.7 lbs<br>(4.4 kg) |
| FS 50: with long shaft | 9.9 lbs<br>(4.5 kg) |

### Versions with Easy2Start

|                          |                      |
|--------------------------|----------------------|
| FS 40 C:                 | 9.9 lbs<br>(4.5 kg)  |
| FS 50 C:                 | 9.9 lbs<br>(4.5 kg)  |
| FS 50 C: with long shaft | 10.1 lbs<br>(4.6 kg) |


### Overall length

without cutting attachment

|                                    |                 |
|------------------------------------|-----------------|
| FS 40,<br>FS 40 C:                 | 57 in (1450 mm) |
| FS 50,<br>FS 50 C:                 | 57 in (1450 mm) |
| FS 50, with long<br>FS 50 C: shaft | 65 in (1650 mm) |

## Maintenance and Repairs

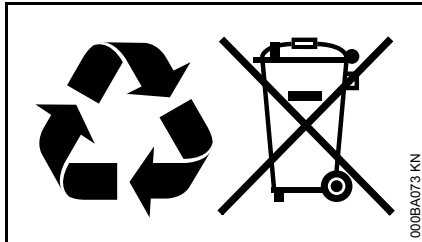
Users of this unit should carry out only the maintenance operations described in this manual. STIHL recommends that other repair work be performed only by authorized STIHL servicing dealers using genuine STIHL replacement parts.

Genuine STIHL parts can be identified by the STIHL part number, the **STIHL** logo and, in some cases, by the STIHL parts symbol . The symbol may appear alone on small parts.

**For repairs of any component of this unit's air emissions control system, please refer to the air emissions systems warranty in this manual.**

## Disposal

Observe all country-specific waste disposal rules and regulations.



STIHL products must not be thrown in the garbage can. Take the product, accessories and packaging to an approved disposal site for environment-friendly recycling.

Contact your STIHL servicing dealer for the latest information on waste disposal.

## Limited Warranty

### STIHL Incorporated Limited Warranty Policy for Non-Emission-Related Parts and Components

---

This product is sold subject to the STIHL Incorporated Limited Warranty Policy, available at

[www.stihlusa.com/warranty.html](http://www.stihlusa.com/warranty.html).

It can also be obtained from your authorized STIHL dealer or by calling 1-800-GO-STIHL (1-800-467-8445).

A separate emissions control system warranty is provided for emission-related components.

## STIHL Incorporated Federal Emission Control Warranty Statement

### Not for California

---

#### Your Warranty Rights and Obligations

The U.S. Environmental Protection Agency (EPA) and STIHL Incorporated are pleased to explain the Emission Control System Warranty on your equipment type engine. In the U.S. new 1997 and later model year small off-road equipment engines must be designed, built and equipped, at the time of sale, to meet the U.S. EPA regulations for small non road engines. The equipment engine must be free from defects in materials and workmanship which cause it to fail to conform with U.S. EPA standards for the first two years of engine use from the date of sale to the ultimate purchaser.

STIHL Incorporated must warrant the emission control system on your small off-road engine for the period of time listed below provided there has been no abuse, neglect or improper maintenance of your small off-road equipment engine.

Your emission control system includes parts such as the carburetor and the ignition system. Also included may be hoses, and connectors and other emission-related assemblies.

Where a warrantable condition exists, STIHL Incorporated will repair your small off-road equipment engine at no cost to you, including diagnosis (if the diagnostic work is performed at an authorized dealer), parts, and labor.



### **Manufacturer's Warranty Coverage**

In the U.S., 1997 and later model year small off-road equipment engines are warranted for two years. If any emission-related part on your engine is defective, the part will be repaired or replaced by STIHL Incorporated free of charge.

### **Owner's Warranty Responsibilities**

As the small off-road equipment engine owner, you are responsible for the performance of the required maintenance listed in your instruction manual. STIHL Incorporated recommends that you retain all receipts covering maintenance on your small off-road equipment engine, but STIHL Incorporated cannot deny warranty solely for the lack of receipts or for your failure to ensure the performance of all scheduled maintenance.

Any replacement part or service that is equivalent in performance and durability may be used in non-warranty maintenance or repairs, and shall not reduce the warranty obligations of the engine manufacturer.

As the small off-road equipment engine owner, you should be aware, however, that STIHL Incorporated may deny you warranty coverage if your small off-road equipment engine or a part has failed due to abuse, neglect, improper maintenance or unapproved modifications.

You are responsible for presenting your small off-road equipment engine to a STIHL service center as soon as a problem exists. The warranty repairs will be completed in a reasonable amount of time, not to exceed 30 days.

If you have any questions regarding your warranty rights and responsibilities, please contact a STIHL customer service representative at 1-800-467-8445 or you can write to

STIHL Inc.,  
536 Viking Drive, P.O. Box 2015,  
Virginia Beach, VA 23450-2015

[www.stihlusa.com](http://www.stihlusa.com)

### **Coverage by STIHL Incorporated**

STIHL Incorporated warrants to the ultimate purchaser and each subsequent purchaser that your small off-road equipment engine will be designed, built and equipped, at the time of sale, to meet all applicable emissions regulations. STIHL Incorporated also warrants to the initial purchaser and each subsequent purchaser that your engine is free from defects in materials and workmanship which cause the engine to fail to conform with applicable emissions regulations for a period of two years.

### **Warranty Period**

The warranty period will begin on the date the utility equipment engine is purchased by the initial purchaser. Product registration is recommended, so that STIHL has a means to contact you if there ever is a need to communicate repair or recall information about your product, but it is not required in order to obtain warranty service.

If any emission-related part on your engine is defective, the part will be replaced by STIHL Incorporated at no cost to the owner. Any warranted part which is not scheduled for replacement as required maintenance, or which is

scheduled only for regular inspection to the effect of "repair or replace as necessary" will be warranted for the warranty period. Any warranted part which is scheduled for replacement as required maintenance will be warranted for the period of time up to the first scheduled replacement point for that part.

### **Diagnosis**

You, as the owner, shall not be charged for diagnostic labor which leads to the determination that a warranted emissions part is defective. However, if you claim warranty for an emissions component and the machine is tested as non-defective, STIHL Incorporated will charge you for the cost of the emission test. Mechanical diagnostic work will be performed at an authorized STIHL servicing dealer. Emission test may be performed either at STIHL Incorporated or at any independent test laboratory.

### **Warranty Work**

STIHL Incorporated shall remedy warranty defects at any authorized STIHL servicing dealer or warranty station. Any such work shall be free of charge to the owner if it is determined that an emissions warranted part is defective.

Any manufacturer-approved or equivalent replacement part may be used for any warranty maintenance or repairs on emission-related parts and must be provided without charge to the owner. STIHL Incorporated is liable for damages to other engine components caused by the failure of a warranted part still under warranty.

The following list specifically defines the emission-related warranted parts:

- Air Filter
- Carburetor (if applicable)
- Fuel Pump
- Choke (Cold Start Enrichment System) (if applicable)
- Control Linkages
- Intake Manifold
- Magneto or Electronic Ignition System (Ignition Module or Electronic Control Unit)
- Flywheel
- Spark Plug
- Solenoid Valve (if applicable)
- Injection Valve (if applicable)
- Injection Pump (if applicable)
- Throttle Housing (if applicable)
- Cylinder
- Muffler
- Catalytic Converter (if applicable)
- Fuel Tank
- Fuel Cap
- Fuel Line
- Fuel Line Fittings
- Clamps
- Fasteners

### Where to make a Claim for Warranty Service

Bring the product to any authorized STIHL servicing dealer.

### Maintenance Requirements

The maintenance instructions in this manual are based on the application of the recommended 2-stroke fuel-oil mixture (see also instruction "Fuel"). Deviations from this recommendation regarding quality and mixing ratio of fuel and oil may require shorter maintenance intervals.

### Limitations

This Emission Control Systems Warranty shall not cover any of the following:

- repair or replacement required because of misuse, neglect or lack of required maintenance,
  - repairs improperly performed or replacements not conforming to STIHL Incorporated specifications that adversely affect performance and/or durability, and alterations or modifications not recommended or approved in writing by STIHL Incorporated,
- and
- replacement of parts and other services and adjustments necessary for required maintenance at and after the first scheduled replacement point.

## STIHL Incorporated California Exhaust and Evaporative Emissions Control Warranty Statement

### For California only

---

### Your Warranty Rights and Obligations

The California Air Resources Board (CARB) and STIHL Incorporated are pleased to explain the emissions control system warranty on your 2021 and later small off-road equipment engine.

In California, new equipment that uses small off-road engines must be designed, built, and equipped to meet the State's stringent anti-smog standards. STIHL Incorporated must warrant the emissions control system on your small off-road engine for the periods of time listed below provided there has been no abuse, neglect or improper maintenance of your small off-road engine or equipment leading to the failure of the emissions control system.

Your emissions control system may include parts such as the carburetor or fuel-injection system, the ignition system, catalytic converter, fuel tanks, fuel lines (for liquid fuel and fuel vapors), fuel caps valves canisters, filters, clamps and another associated components. Also included may be hoses, belts, connectors or other emission-related assemblies.

Where a warrantable condition exists, STIHL Incorporated will repair your small off-road equipment engine at no cost to you including diagnosis, parts and labor.

## Manufacturer's Warranty Responsibilities

The exhaust and evaporative emissions control system on your small off-road equipment engine is warranted for two years. If any emission-related part on your small off-road equipment engine is defective, the part will be repaired or replaced by STIHL Incorporated free of charge.

## Owner's Warranty Responsibilities

As the small off-road equipment engine owner, you are responsible for the performance of the required maintenance listed in your instruction manual. STIHL Incorporated recommends that you retain all receipts covering maintenance on your small off-road equipment engine, but STIHL Incorporated cannot deny warranty coverage solely for the lack of receipts or for your failure to ensure the performance of all scheduled maintenance.

As the small off-road equipment engine owner, you should however be aware that STIHL Incorporated may deny you warranty coverage if your small off-road equipment engine or a part has failed due to abuse, neglect, or improper maintenance or unapproved modifications.

You are responsible for presenting your small off-road equipment engine to a STIHL servicing dealer as soon as the problem exists. The warranty repairs should be completed in a reasonable amount of time, not to exceed 30 days. If you have any questions regarding your warranty rights and responsibilities,

please contact a STIHL customer service representative at 1-800-467-8445 or you can write to

STIHL Inc., 536 Viking Drive,  
P.O. Box 2015,  
Virginia Beach, VA 23450-2015.

[www.stihlusa.com](http://www.stihlusa.com)

## Coverage by STIHL Incorporated

STIHL Incorporated warrants to the ultimate purchaser and each subsequent purchaser that your small off-road equipment engine is designed, built and equipped, at the time of sale, to meet all applicable emission regulations.

STIHL Incorporated also warrants to the initial purchaser and each subsequent purchaser that your engine is free from defects in materials and workmanship which cause the engine to fail to conform to applicable emission regulations for a period of two years.

## Defects Warranty Period

The warranty periods will begin on the date the utility equipment engine is purchased by the initial purchaser. If any emission-related part on your engine is defective, the part will be replaced by STIHL Incorporated at no cost to the owner.

Add-on or modified parts that are not exempted by CARB may not be used. The use of any non-exempted add-on or modified parts will be grounds for disallowing a warranty claim. STIHL Incorporated will not be liable to warrant failures of warranted parts caused by the use of a non-exempted add-on or modified part.

The warranty on emissions-related parts will be interpreted as follows:

1. Any warranted part that is not scheduled for replacement as required maintenance in the written instructions required in the Emission Warranty Parts List (see below) must be warranted for the warranty period defined in Subsection COVERAGE BY STIHL INCORPORATED, see above. If any such part fails during the period of warranty coverage, it must be repaired or replaced by the manufacturer according to Subsection (4) below. Any such part repaired or replaced under the warranty must be warranted for the remaining warranty period.
2. Any warranted part that is scheduled only for regular inspection in the written instructions required by the Emission Warranty Parts List (see below) must be warranted for the warranty period defined in Subsection COVERAGE BY STIHL INCORPORATED, see above. A statement in such written instructions to the effect of "repair or replace as necessary" will not reduce the period of warranty coverage. Any such part repaired or replaced under warranty must be warranted for the remaining 99warranty period.
3. Any warranted part that is scheduled for replacement as required maintenance in the written instructions required by the Emission Warranty Parts List (see below) must be warranted for the period of time prior to the first scheduled replacement point for

that part. If the part fails prior to the first scheduled replacement, the part must be repaired or replaced by the engine manufacturer according to Subsection (4) below. Any such part repaired or replaced under warranty must be warranted for the remainder of the period prior to the first scheduled replacement point for the part.

4. Repair or replacement of any warranted part under the warranty must be performed at a warranty station at no charge to the owner.
5. Notwithstanding the provisions of Subsection (4) above, warranty services or repairs will be provided at all manufacturer distribution centers that are authorized to service the subject engines.
6. The owner must not be charged for diagnostic labor that leads to the determination that a warranted part is in fact defective, provided that such diagnostic work is performed at a warranty station.

### Warranty Work

STIHL Incorporated shall remedy warranty defects at any authorized STIHL servicing dealer or warranty station. Any such work shall be free of charge to the owner if it is determined that a warranted part is defective. Any manufacturer approved or equivalent replacement part may be used for any warranty maintenance or repairs on emission-related parts and must be provided without charge to the owner. STIHL Incorporated is liable for

damages to other engine components caused by the failure of a warranted part still under warranty.

### Emission Warranty Parts List

Air Filter, Carburetor (if applicable), Fuel Pump, Choke (Cold Start Enrichment System) (if applicable), Control Linkages, Intake Manifold, Magneto or Electronic Ignition System (Ignition Module or Electronic Control Unit), Fly Wheel, Spark Plug, Solenoid Valve (if applicable), Injection Valve (if applicable), Injection Pump (if applicable), Throttle Housing (if applicable), Cylinder, Muffler, Catalytic Converter (if applicable), Fuel Tank, Fuel Cap, Fuel Line (for liquid fuel and fuel vapors), Fuel Line Fittings, Clamps, Fasteners.

### Where to make a Claim for Warranty Service

Bring the STIHL product to any authorized STIHL servicing dealer.

### Limitations

The repair or replacement of any warranted part otherwise eligible for warranty coverage may be excluded from such warranty coverage if STIHL Incorporated demonstrates that the STIHL product has been abused, neglected, or improperly maintained, and that such abuse, neglect, or improper maintenance was the direct cause of the need for repair or replacement of the part. That notwithstanding, any adjustment of a component that has a factory installed, and properly operating, adjustment limiting device is still eligible for warranty coverage.

## Trademarks

### STIHL Registered Trademarks

STIHL®

**STIHL**®



The color combination orange-grey (U.S. Registrations #2,821,860; #3,010,057, #3,010,058, #3,400,477; and #3,400,476)



AutoCut®

FARM BOSS®

iCademy®

MAGNUM®

MasterWrench Service®

MotoMix®

OILOMATIC®

ROCK BOSS®  
 STIHL Cutquik®  
 STIHL DUROMATIC®  
 STIHL Quickstop®  
 STIHL ROLLOMATIC®  
 STIHL WOOD BOSS®  
 TIMBERSPORTS®  
 WOOD BOSS®  
 YARD BOSS®

**Some of STIHL's Common Law  
 Trademarks**

---



4-MIX™  
 BioPlus™  
 Easy2Start™  
 EasySpool™  
 ElastoStart™  
 Ematic™  
 FixCut™  
 IntelliCarb™  
 Master Control Lever™  
 Micro™  
 Pro Mark™  
 Quiet Line™  
 STIHL M-Tronic™

STIHL OUTFITTERS™  
 STIHL PICCO™  
 STIHL PolyCut™  
 STIHL PowerSweep™  
 STIHL Precision Series™  
 STIHL RAPID™  
 STIHL SuperCut™  
 TapAction™  
 TrimCut™

This listing of trademarks is subject to change.

Any unauthorized use of these trademarks without the express written consent of ANDREAS STIHL AG & Co. KG, Waiblingen is strictly prohibited.

## Contenido

|   |    |   |    |
|---|----|---|----|
| Acerca de este manual de instrucciones                                  | 45 | Declaración de garantía de STIHL Incorporated sobre sistemas de control de emisiones según normas Federales   | 85 |
| Medidas de seguridad y técnicas de manejo                               | 46 | Declaración de garantía de STIHL Incorporated sobre el control de emisiones de gases de escape y emisiones por evaporación para el Estado de California | 88 |
| Combinaciones aprobadas de accesorio de corte, deflector, mango y arnés | 60 | Marcas comerciales  | 91 |
| Montaje del mango tórico  | 61 |   |    |
| Montaje de la barra de defensa  | 61 |   |    |
| Montaje del accesorio de corte  | 62 |   |    |
| Combustible   | 65 |   |    |
| Llenado de combustible  | 66 |   |    |
| Arranque / parada del motor   | 68 |   |    |
| Instrucciones para el uso   | 71 |   |    |
| Limpieza del filtro de aire   | 71 |   |    |
| Gestión del motor   | 72 |   |    |
| Ajuste del carburador   | 72 |   |    |
| Bujía   | 73 |   |    |
| Funcionamiento del motor  | 74 |   |    |
| Almacenamiento de la máquina  | 75 |   |    |
| Mantenimiento de la cabeza segadora                                     | 75 |   |    |
| Inspección y mantenimiento por el concesionario                         | 79 |   |    |
| Información para mantenimiento  | 80 |   |    |
| Componentes importantes   | 82 |   |    |
| Especificaciones  | 83 |   |    |
| Información de reparación   | 84 |   |    |
| Desecho   | 85 |   |    |
| Garantía limitada   | 85 |   |    |

Permita que solamente las personas que comprenden la materia tratada en este manual manejen su motoguadaña.

Para obtener el rendimiento y satisfacción máximos de la motoguadaña STIHL, es importante que lea, obedezca y comprenda las precauciones de seguridad y las instrucciones de uso y mantenimiento dadas en el capítulo "Precauciones de seguridad y técnicas de uso", antes de usar la motoguadaña. Para información adicional, puede acudir a [www.stihlusa.com](http://www.stihlusa.com).

Comuníquese con su representante de STIHL o el distribuidor de STIHL para su zona si no se entiende alguna de las instrucciones dadas en el presente manual.

### ADVERTENCIA

Dado que la motoguadaña es una herramienta de corte motorizada de gran velocidad, es necesario tomar medidas especiales de seguridad para reducir el riesgo de lesiones. El uso descuidado o inadecuado puede causar lesiones graves e incluso mortales.

Asegúrese que su máquina esté equipada con el deflector, mango y arnés adecuados para el tipo de accesorio de corte que se está utilizando. Siempre protéjase adecuadamente los ojos.

# STIHL

## Acerca de este manual de instrucciones

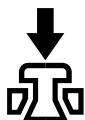
### Pictogramas

Todos los pictogramas que se encuentran fijados o grabados en la máquina se explican en este manual.

Según el modelo, los pictogramas siguientes pueden aparecer en su máquina.



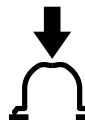
Tanque de combustible que contiene la mezcla de combustible y aceite



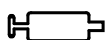
Presione para accionar la válvula de descompresión



Bomba de combustible manual



Presione para accionar la bomba manual de combustible



Orificio de llenado para lubricante de engranajes



Toma de aire para modo de verano



Toma de aire para modo de invierno



Calentador de manillar

### Símbolos en el texto

Muchas de las instrucciones de uso y seguridad vienen acompañadas de ilustraciones.

Los pasos individuales o procedimientos descritos en el manual pueden estar señalados en diferentes maneras:

- Se usa una viñeta para denotar un paso o procedimiento.

Una descripción de un paso o procedimiento que se refiere directamente a una ilustración puede contener números de referencia que aparecen en la ilustración. Por ejemplo:

- Saque el tornillo (1)
- Extraiga el chispero (2) hacia arriba, fuera del silenciador

Además de las instrucciones de uso, en este manual pueden encontrarse párrafos a los que usted debe prestar atención especial. Tales párrafos se denotan con los símbolos y las palabras identificadoras que se describen a continuación.



#### PELIGRO

Identifica una situación de peligro que, de no evitarse, causará lesiones graves o mortales.



#### ADVERTENCIA

Identifica una situación de peligro que, de no evitarse, podría causar lesiones graves o mortales.

### INDICACIÓN

Indica el riesgo de daños a la propiedad, incluidos la máquina o sus componentes.

### Mejoramientos técnicos

La filosofía de STIHL es mejorar continuamente todos sus productos. Como resultado de ello, periódicamente se introducen cambios de diseño y mejoras. Por lo tanto, es posible que algunos cambios, modificaciones y mejoras no se describan en este manual. Si las características de funcionamiento o la apariencia de su máquina difieren de las descritas en este manual, comuníquese con el concesionario STIHL para obtener la ayuda que requiera.

## Medidas de seguridad y técnicas de manejo



Dado que la orilladora es una herramienta de corte motorizada que funciona a gran velocidad, es necesario tomar medidas de seguridad especiales para reducir el riesgo de lesiones.



Es importante que usted lea, comprenda bien y respete las siguientes advertencias y medidas de seguridad. Lea el manual de instrucciones y las medidas de seguridad periódicamente. Un uso descuidado o inadecuado puede causar lesiones graves o incluso mortales.

Los términos empleados en este manual para hacer referencia a la herramienta motorizada varían según el tipo de accesorio de corte que se instale en la misma. El término "orilladora" se usa para hacer referencia a una unidad FS que está equipada con una cabeza con hilo de nilón o con una cabeza con cuchillas de plástico flexibles (es decir, el cabezal PolyCut).

### ADVERTENCIA

Tal como se explica con más detalle en páginas posteriores de estas Medidas de seguridad, para reducir el riesgo de lesiones usted debe asegurarse de que su máquina está equipada con el mango, el arnés y el deflector adecuados para el tipo de accesorio de

corte que va a utilizar. Use únicamente accesorios de corte que estén autorizados específicamente por STIHL para el uso en su modelo FS. Para reducir el riesgo de lesiones graves o mortales provocadas por un contacto con las cuchillas y/o por una pérdida de control, nunca intente usar una cuchilla metálica en esta orilladora.

Solicite a su concesionario STIHL que le muestre cómo se maneja la herramienta motorizada. Respete todas las disposiciones, los estándares y las normas de seguridad locales aplicables.

### ADVERTENCIA

No preste ni alquile nunca su herramienta motorizada sin entregar también el manual de instrucciones. Asegúrese de que todas las personas que vayan a usar la máquina comprenden la información de este manual.

### ADVERTENCIA

El uso de esta máquina puede ser peligroso. Si el hilo o la cuchilla en movimiento entran en contacto con su cuerpo, le ocasionarán una cortadura. Cuando entra en contacto con objetos extraños sólidos, como rocas o pedazos de metal, puede arrojarlos directamente o por rebote hacia las personas que se encuentren en la cercanía, o hacia el operador. Los choques contra este tipo de objetos pueden dañar el accesorio de corte. Los objetos que salen despedidos, entre los que puede haber fragmentos de la cabeza o de cuchillas rotas, pueden provocar lesiones graves o mortales al operador o a las personas que se encuentren en los alrededores.

Use la orilladora equipada con el accesorio de corte apropiado únicamente para cortar pasto y materiales similares.

### ADVERTENCIA

No use la máquina para ningún otro propósito: un uso indebido puede causar lesiones o daños materiales, incluidos daños en la máquina.

### ADVERTENCIA

En ningún caso se debe permitir a los niños que usen esta herramienta motorizada. No se debe permitir la presencia de otras personas, especialmente niños, ni de animales, en los lugares en los que se esté usando la máquina.

### ADVERTENCIA

Para reducir el riesgo de provocar lesiones a personas que se encuentren cerca, así como daños a la propiedad, nunca deje la herramienta motorizada en marcha desatendida. Cuando no esté en uso (por ejemplo, durante un descanso), apáguelo y asegúrese de que no lo puedan usar personas no autorizadas.

La mayoría de estas advertencias y medidas de seguridad son aplicables al uso de todas las orilladoras de STIHL. Los distintos modelos pueden tener piezas y controles diferentes. Consulte el apartado correspondiente de su manual de instrucciones. En él encontrará una descripción de los controles y de la función de los componentes específicos de su modelo.



El uso seguro de una orilladora atañe a

1. el operador
2. la herramienta motorizada
3. el uso de la herramienta motorizada.

## **EL OPERADOR**

---

### **Condición física**

Usted debe estar en buenas condiciones físicas y psíquicas y no encontrarse bajo los efectos de ninguna sustancia (drogas, alcohol, etc.) que le pueda restar visibilidad, destreza o juicio. No maneje esta máquina si está fatigado.



### **ADVERTENCIA**

Esté alerta. Si se cansa, tómese un descanso. El cansancio puede provocar una pérdida del control. El uso de cualquier herramienta motorizada es fatigoso. Si usted padece de alguna dolencia que se pueda ver agravada por la fatiga, consulte a su médico antes de utilizar esta máquina.



### **ADVERTENCIA**

El uso prolongado de una herramienta motorizada (o de otras máquinas) expone al operador a vibraciones que pueden provocar el fenómeno de Raynaud (dedos blancos) o el síndrome del túnel carpiano.

Estas dolencias reducen la capacidad de las manos de sentir y regular la temperatura, producen entumecimiento

y ardor y pueden provocar trastornos nerviosos y circulatorios, así como necrosis de los tejidos.

No se conocen todos los factores que contribuyen a la enfermedad de Raynaud, pero el clima frío, el fumar y las enfermedades o condiciones físicas que afectan a los vasos sanguíneos y a la circulación de la sangre, así como los niveles altos de vibración y períodos prolongados de exposición a la vibración se citan como factores que favorecen el desarrollo de la enfermedad de Raynaud. Para reducir el riesgo de contraer la enfermedad de dedos blancos y el síndrome del túnel carpiano, tenga en cuenta lo siguiente:

- La mayor parte de las herramientas motorizadas de STIHL están disponibles con un sistema antivibración ("AV") diseñado para reducir la transmisión de las vibraciones generadas por la máquina a las manos del operador. Se recomienda el uso de un sistema AV a todas aquellas personas que usen herramientas motorizadas de forma habitual o continua.
- Use guantes y mantenga las manos abrigadas.

- Lleve a cabo un mantenimiento correcto del sistema AV. Una herramienta motorizada con los componentes flojos o con amortiguadores AV dañados o desgastados también tenderá a tener niveles más altos de vibración.
- Agarre los mangos firmemente en todo momento, pero no los apriete con una fuerza constante y excesiva. Tómese descansos frecuentes.

Las precauciones mencionadas no garantizan que no se sufrirán el mal de dedos blancos o el síndrome del túnel carpiano. Por lo tanto, los operadores que usen la máquina de manera continua y habitual deben revisar con frecuencia el estado de sus manos y dedos. Si percibe alguno de los síntomas mencionados más arriba, consulte inmediatamente al médico.



### **ADVERTENCIA**

El sistema de encendido de la máquina STIHL produce un campo electromagnético de intensidad muy baja. Este campo puede interferir con algunos tipos de marcapasos. Para reducir el riesgo de sufrir lesiones graves o mortales, las personas portadoras de marcapasos deben consultar a sus médicos y al fabricante del marcapasos antes de usar esta máquina.

## Vestimenta adecuada

### ADVERTENCIA

Para reducir el riesgo de lesiones, el operador debe usar el equipo protector adecuado.

### ADVERTENCIA

El deflector provisto con su herramienta motorizada no siempre protege al operador contra todos los objetos extraños (gravilla, vidrio, alambre, etc.) arrojados por el accesorio de corte giratorio. Los objetos arrojados o lanzados por el accesorio también pueden rebotar y golpear al operador.

### ADVERTENCIA



Para reducir el riesgo de lesionarse los ojos, nunca maneje la herramienta motorizada si no tiene puestas gafas o anteojos de seguridad bien ajustados con una protección adecuada en las partes superior y laterales que satisfagan la norma ANSI Z87 "+" (o la norma nacional correspondiente). Para reducir el riesgo de lesionarse la cara, STIHL recomienda usar también una careta o un protector facial adecuado sobre las gafas o los anteojos de seguridad.



Los ruidos causados por la herramienta motorizada pueden dañar los oídos. Siempre use amortiguadores del ruido (tapones u orejeras) para protegerse los oídos. Los usuarios constantes y habituales deben someterse regularmente a exámenes o controles auditivos.

Esté especialmente alerta y tenga cuidado cuando use protectores para los oídos, ya que reducen la capacidad de oír señales de advertencia (gritos, alarmas, etc.).



Siempre use guantes de trabajo gruesos (p. ej., de cuero o de otro material resistente al desgaste), cuando manipule la máquina, la cuchilla y el accesorio de corte. Los guantes gruesos y anti-deslizantes mejoran el agarre y ayudan a proteger las manos.



La ropa debe ser de confección fuerte y ajustada, pero permitir una completa libertad de movimientos. Use pantalones largos hechos de un material grueso para protegerse las piernas. No use pantalones cortos ni sandalias, y no maneje la máquina con los pies descalzos.

Evite llevar chaquetas sueltas, bufandas, corbatas, joyas, pantalones acampanados o con vueltas, pelo largo suelto o cualquier cosa que pueda engancharse en las ramas, en los matorrales o en las piezas en movimiento de la máquina. Sujétese el pelo de modo que quede por encima de los hombros.



Es muy importante que sus pies queden bien apoyados sobre el suelo. Lleve botas gruesas con suela antideslizante. Recomendamos el uso de botas de seguridad con puntera de acero.

## LA HERRAMIENTA MOTORIZADA

Encontrará las ilustraciones y las definiciones de las piezas de la herramienta motorizada en el capítulo "Piezas principales".

### ADVERTENCIA

Nunca modifique en modo alguno esta herramienta motorizada. Únicamente están autorizados los accesorios y repuestos suministrados por STIHL y expresamente aprobados por STIHL para el uso con el modelo específico de STIHL. Si bien es posible utilizar con la herramienta motorizada de STIHL ciertos accesorios no autorizados, su uso puede ser extremadamente peligroso en la práctica. Para saber qué accesorios de corte están autorizados por STIHL para el uso con su unidad, consulte el capítulo "Combinaciones aprobadas de accesorio de corte, deflector, mango y arnés" del manual de

instrucciones o del catálogo STIHL "Accesorios de corte, piezas y accesorios".

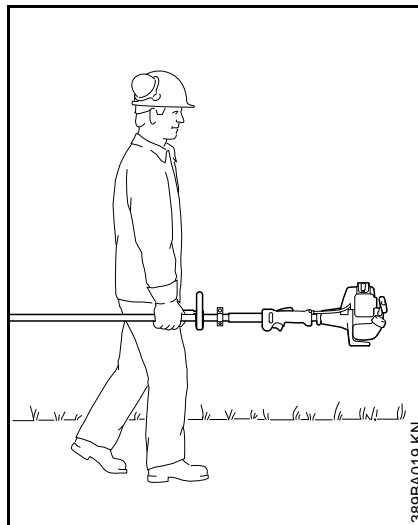
Si la máquina se ve expuesta a cargas excesivas para las que no ha sido diseñada (por ejemplo, impactos severos o una caída), siempre asegúrese de que está en buenas condiciones antes de reanudar el trabajo. Compruebe específicamente si el sistema de combustible es estanco (ausencia de fugas), y si los controles y dispositivos de seguridad funcionan como es debido. No siga manejando esta máquina si está dañada. En caso de duda, solicite una revisión a su concesionario de servicio de STIHL.

## USO DE LA HERRAMIENTA MOTORIZADA

### Transporte de la herramienta motorizada

#### ADVERTENCIA

Para reducir el riesgo de lesiones provocadas por una pérdida de control y por contacto con las cuchillas o con el hilo, nunca lleve ni transporte su herramienta motorizada con el accesorio de corte en marcha.



La herramienta se debe cargar siempre en posición horizontal. Agarre el mango de forma que la máquina se mantenga equilibrada en horizontal. Mantenga el silenciador caliente alejado de su cuerpo y el accesorio de corte, detrás de usted.

#### ADVERTENCIA

Antes de apoyar la orilladora en el suelo, apague el motor y asegúrese de que el accesorio de corte ha dejado de girar. Cuando transporte la unidad en un vehículo, asegúrela firmemente para impedir que vuelque, que sufra daños o que se derrame combustible.

#### Combustible

La herramienta motorizada STIHL utiliza una mezcla de aceite-gasolina como combustible (vea el capítulo "Combustible" del manual de instrucciones).

#### ADVERTENCIA



La gasolina es un combustible muy inflamable. Si se derrama y arde a consecuencia de una chispa o de otra fuente de ignición, puede provocar un incendio y quemaduras graves o daños a la propiedad. Tenga sumo cuidado cuando manipule gasolina o la mezcla de combustible. No fume cerca del combustible ni de la herramienta motorizada, ni acerque ningún fuego o llama a ellos. Tenga en cuenta que del sistema de combustible puede escapar vapor inflamable.

#### Instrucciones para el llenado de combustible

#### ADVERTENCIA

Para reducir el riesgo de incendios y de lesiones graves, siempre coloque la herramienta motorizada en el suelo antes de cargarla con combustible.

#### ADVERTENCIA



**Elija una ubicación segura**

Para reducir el riesgo de incendio y explosiones, cargue la herramienta motorizada con combustible al aire libre, en una zona bien ventilada, alejada de llamas, pilotos, calentadores, motores eléctricos y otras fuentes de encendido. Una chispa o llama que está a varios metros de distancia puede encender los vapores. Elija una superficie despejada para llenar el depósito y aléjese por lo menos 10 pies (3 m) del lugar en que lo haya llenado antes de arrancar el motor. Si se ha derramado combustible, limpie la zona antes de arrancar la herramienta motorizada. Tenga cuidado de no mancharse la ropa con combustible. Si esto sucediera, cámbiese de ropa inmediatamente.

**Espere a que la herramienta motorizada se enfríe antes de quitar la tapa del depósito de combustible**

### ADVERTENCIA

Dentro del depósito de combustible se puede acumular presión de los vapores del combustible. La magnitud de la presión depende de varios factores, tales como el tipo de combustible empleado, la altitud y la temperatura. Para reducir el riesgo de quemaduras y otras lesiones personales causadas por los escapes de gas, vapores y humo, siempre apague el motor y déjelo enfriar antes de quitar la tapa del depósito de combustible.

El motor se enfría por aire. Cuando se apaga, deja de aspirar aire de enfriamiento a través del cilindro, por lo que su temperatura aumenta durante varios minutos antes de empezar a bajar. En entornos calientes, el enfriamiento precisa más tiempo. Para

reducir el riesgo de quemaduras y otras lesiones personales causadas por los escapes de vapores de gas y humo, espere a que la herramienta motorizada se enfríe. Si tiene que cargar combustible antes de finalizar un trabajo, apague la máquina y espere a que el motor se enfríe antes de abrir el depósito de combustible.

### **Rocío de combustible o "efecto géiser"**

#### ADVERTENCIA

Si se retira la tapa del depósito de combustible cuando este está a presión, se puede producir una liberación explosiva de gasolina, vapores y humos en todas las direcciones. La gasolina, los vapores y los humos que salen despedidos de este modo pueden causar lesiones personales graves, incendios y quemaduras, o daños a la propiedad.

El rocío de combustible, también llamado "efecto géiser", es la expulsión violenta de combustible, vapores y humo que puede suceder en condiciones de temperatura elevada, o si el motor está caliente y se abre el depósito sin esperar a que la herramienta motorizada se enfríe de modo adecuado. Este efecto es más probable cuando el depósito está lleno hasta la mitad o más.

La presión la provocan el combustible y el calor, y puede acumularse aun si el motor no ha estado en marcha. Cuando la gasolina del depósito se calienta (por la temperatura ambiente, por el calor del motor o por otras causas), la presión del vapor aumenta dentro del depósito de combustible.

Algunas mezclas de gasolina, en particular las diseñadas para su uso en invierno, son más volátiles y pueden provocar una presurización más rápida del depósito o generar presiones mayores. A alturas elevadas, es más probable que se produzca una presurización del depósito de combustible.

### **Cómo evitar el rocío de combustible**

Si se retira la tapa del depósito de combustible cuando este está a presión, se puede producir una liberación explosiva de gasolina, vapores y humos en todas las direcciones. Para reducir el riesgo de quemaduras, lesiones graves y daños a la propiedad a causa del rocío de combustible:

- Respete las instrucciones de carga de combustible que se dan en este capítulo.
- Siempre suponga que el depósito de combustible está presurizado.
- Espere a que la herramienta motorizada se enfríe antes de quitar la tapa del depósito de combustible.
- En entornos calientes, el enfriamiento precisa más tiempo.
- El motor se enfría por aire. Cuando se apaga, deja de aspirar aire de enfriamiento a través del cilindro, por lo que su temperatura aumenta durante varios minutos antes de empezar a bajar.

Después de que la herramienta motorizada se haya apagado debidamente, aténgase a las instrucciones de seguridad dadas en este capítulo para quitar la tapa.

Nunca quite la tapa girándola directamente a la posición "abierta". Primero compruebe si hay presión residual en el depósito girando la tapa lentamente aproximadamente media vuelta en sentido contrahorario. La tapa debe permanecer en su lugar, retenida por sus roscas, y permitir que salga el vapor/la presión residual. Una vez que los vapores se han aliviado, siga girando la tapa hasta que pueda quitarla de la boca del depósito.

Utilice solamente combustible de buena calidad que sea adecuado para la temporada (mezcla de invierno o de verano). Algunas mezclas de combustible, en particular las mezclas de invierno, son más volátiles y pueden fomentar el rocío de combustible.

#### Retiro de la tapa de combustible roscada

#### ADVERTENCIA

Espere a que la herramienta motorizada se enfríe y quite la tapa de llenado de combustible lentamente y con cuidado, para liberar la presión acumulada en el depósito:

- Mientras mantiene una presión constante hacia abajo, gire la tapa lentamente aproximadamente media vuelta en sentido contrahorario.
- Si se produce una ventilación significativa, vuelva a cerrar el depósito de inmediato girando la tapa en sentido horario hasta que quede cerrada. Espere a que la herramienta motorizada se enfríe más antes de abrir el depósito.

- Gire la tapa a la posición abierta solamente una vez que el contenido del depósito ya no se encuentre bajo presión.
- Nunca retire la tapa girándola directamente a la posición abierta. Espere primero a que la herramienta motorizada se enfríe de modo adecuado y libere entonces la presión acumulada girando la tapa lentamente aproximadamente media vuelta en sentido contrahorario.
- Nunca quite la tapa mientras el motor esté caliente o en marcha.

#### Instalación de la tapa de combustible roscada

#### ADVERTENCIA



Si la tapa queda mal apretada, se puede aflojar y desprender a consecuencia de las vibraciones de la máquina, y se puede derramar combustible en grandes cantidades. Para reducir el riesgo de derrames y de incendio, apriete la tapa de llenado de combustible a mano con la mayor fuerza posible.

#### Tapa dañada o rota

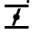

Si la tapa del depósito de combustible no se puede apretar adecuadamente, podría estar averiada o rota. Deje de usar la herramienta motorizada y llévela al concesionario autorizado de STIHL para que solucionen el problema.

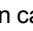

#### Bloqueo de vapor

#### ADVERTENCIA

El bloqueo de vapor sucede cuando el combustible se vaporiza en los conductos o en el carburador y forma burbujas que impiden el flujo libre del combustible líquido hacia el carburador. El bloqueo de vapor no se puede purgar ni modificar abriendo depósito de combustible. Si se quita la tapa de llenado de combustible sin antes permitir que la herramienta motorizada se enfríe de manera adecuada, se puede causar el rocío de combustible. Siempre atégase a las instrucciones de esta sección a la hora de quitar la tapa del depósito de combustible.

Para aliviar el bloqueo de vapor:

- Apriete el bulbo de la bomba de combustible manual al menos entre 20 y 30 veces, aunque el bulbo esté lleno de combustible, para purgar el vapor y enviar combustible líquido al carburador. Entonces, arranque la herramienta motorizada. Encontrará las instrucciones de arranque específicas de su modelo en la sección correspondiente de su manual de instrucciones.
- Si el bulbo de la bomba de combustible manual no se llena, coloque la palanca del estrangulador en la posición de arranque en frío  y tire de la cuerda de arranque hasta que el motor se ponga en marcha. Si el motor no se enciende después de tirar de la cuerda 10 veces en la posición de arranque en frío ,

coloque la palanca del estrangulador en la posición de arranque en caliente  y arranque el motor en la posición de arranque en caliente .

- Si su herramienta motorizada no arranca, o si se produce de nuevo un bloqueo de vapor, la herramienta motorizada se está usando en condiciones demasiado extremas para el combustible elegido. Interrumpa el uso y espere a que el motor se enfríe completamente antes de intentar arrancar la herramienta motorizada.

#### Antes de usar

#### ADVERTENCIA

Antes de arrancarla, revise siempre la herramienta motorizada y compruebe si está en buenas condiciones y si funciona correctamente. Preste especial atención al gatillo de aceleración, al bloqueo del gatillo de aceleración, al interruptor de parada, al accesorio de corte, al deflector y al arnés. El gatillo de aceleración debe moverse libremente, y debe regresar siempre a la posición de marcha en vacío por la acción de resorte. Nunca intente modificar los controles o los dispositivos de seguridad.

#### ADVERTENCIA

Revise el sistema de combustible en busca de fugas, especialmente las partes visibles, por ejemplo, la tapa de llenado, las conexiones de mangueras y la bomba de combustible manual (únicamente para herramientas motorizadas equipadas con una bomba

de combustible de mano). No arranque el motor si se observan fugas o daños: riesgo de incendios. Solicite al concesionario STIHL que repare la herramienta motorizada antes de usarla.

#### ADVERTENCIA

No maneje nunca una herramienta motorizada que esté dañada, mal ajustada, mal mantenida o que no se ha armado completa y debidamente.

#### ADVERTENCIA

Asegúrese de que el casquillo de la bujía está firmemente colocado: un casquillo suelto puede crear un arco voltaico, encender los vapores del combustible y provocar un incendio.

#### ADVERTENCIA

No monte ningún accesorio de corte en una máquina si no están instaladas correctamente todas las piezas requeridas. Si no se utilizan las piezas adecuadas, la cuchilla o la cabeza pueden salir despedidas y provocar lesiones graves al operador o a las personas que se encuentren en los alrededores.

#### ADVERTENCIA

El accesorio de corte debe estar correctamente apretado y en buen estado, sin daños. Compruebe si tiene piezas sueltas (tuercas, tornillos, etc.) y cabezas agrietadas o dañadas. Si alguna cabeza está dañada, sustitúyala antes de usar la herramienta motorizada.

Mantenga los mangos limpios y secos en todo momento; es particularmente importante que estén limpios de humedad, alquitrán, aceite, combustible, grasa o resina para que usted pueda mantener la máquina empuñada firmemente y controlarla de forma segura.

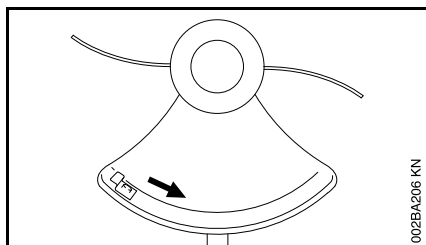
#### ADVERTENCIA



Para reducir el riesgo de lesiones provocadas por una pérdida de control y/o por contacto con la cuchilla, con el hilo o con objetos lanzados, asegúrese de que su máquina está equipada con el deflector, el mango y el arnés adecuados para el tipo de accesorio de corte que está usando (consulte la tabla del capítulo "Combinaciones aprobadas de accesorio de corte, deflector, mango y arnés").

Mantenga el deflector (y la faldilla, si la hubiera), correctamente ajustado en todo momento (consulte los capítulos "Montaje del deflector" y "Montaje del accesorio de corte" de su manual de instrucciones).





La flecha en el deflector (vista desde abajo) muestra el sentido correcto de giro del accesorio de corte. Sin embargo, visto desde arriba, el accesorio de corte gira en sentido horario.

Algunos de los siguientes símbolos pueden estar grabados en el exterior del deflector, para indicar la combinación aprobada de accesorio de corte y deflector.



El deflector se puede usar en combinación con cabezas segadoras.



El deflector no se debe usar en combinación con cabezas segadoras.



El deflector se puede usar en combinación con cuchillas para pasto.



El deflector no se debe usar en combinación con cuchillas para pasto.



El deflector se puede usar en combinación con cuchillas para matorrales.



El deflector no se debe usar en combinación con cuchillas para matorrales.



El deflector no se debe usar en combinación con cuchillas picadoras.



El deflector no se debe usar en combinación con discos de sierra.

Ajuste el arnés de transporte (si lo usa) y la empuñadura a su estatura y a su compleción antes de empezar a trabajar. La máquina debe quedar bien equilibrada, como se especifica en el manual de instrucciones, para que usted la pueda controlar correctamente y se fatigue menos. Para prepararse mejor de cara a una emergencia, practique e intente liberar la unidad del arnés lo más rápidamente posible.

Encontrará las instrucciones de arranque específicas de su modelo en la sección correspondiente de su manual de instrucciones.

### Arranque

Arranque el motor a una distancia de por lo menos 10 pies (3 m) del lugar en que lo haya llenado de combustible.

Encontrará las instrucciones de arranque específicas en la sección correspondiente de su manual. Coloque la herramienta motorizada sobre suelo firme o sobre otra superficie sólida en un lugar abierto. Mantenga el equilibrio y elija puntos de apoyo seguros para los pies.

### **!** ADVERTENCIA

Para reducir el riesgo de lesiones provocadas por contacto con las cuchillas o con el hilo, cerciéndose de mantener el accesorio de corte alejado de su cuerpo y de cualquier otro obstáculo u objeto, incluido el suelo: al arrancar el motor, su velocidad será lo suficientemente rápida para que el embrague se engrane y haga girar el accesorio de corte.

Una vez que el motor haya arrancado, accione inmediatamente por un breve momento el gatillo de aceleración: el acelerador de arranque debería soltarse y permitir que el motor se desacelere hasta la velocidad de marcha en vacío.

Con el motor funcionando a marcha en vacío solamente, enganche la herramienta motorizada al gancho de resorte de su arnés (consulte el capítulo correspondiente en este manual).

### **!** ADVERTENCIA

Su herramienta motorizada es una máquina que debe ser manejada por una persona solamente. No permita la presencia de otras personas en el lugar de trabajo, aun durante el arranque.

### **! ADVERTENCIA**

Para reducir el riesgo de sufrir lesiones causadas por la pérdida de control, no intente arrancar el motor de la herramienta "por lanzamiento".

### **! ADVERTENCIA**

Cuando tire del mango de arranque, no enrolle la cuerda de arranque alrededor de la mano. No deje que el mango retroceda bruscamente: guíe la cuerda de arranque para que se enrolle correctamente. De lo contrario, podría sufrir lesiones en la mano o en los dedos, y dañar el mecanismo de arranque.

### **Ajustes importantes**

### **! ADVERTENCIA**

Para reducir el riesgo de lesiones personales debido a una pérdida de control o al contacto con el accesorio de corte en movimiento, no use su máquina con un ajuste incorrecto del régimen de marcha en vacío. Si la velocidad de marcha en vacío está regulada correctamente, el accesorio de corte no debería moverse. Encontrará las instrucciones sobre cómo ajustar la marcha en vacío en el apartado correspondiente de su manual de instrucciones.

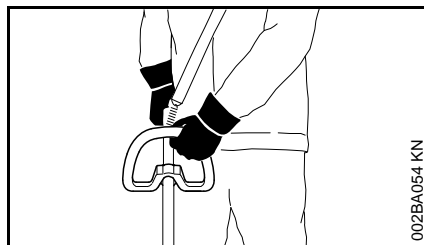
Si no puede regular correctamente la marcha en vacío, encargue a su concesionario STIHL que revise la herramienta motorizada y que haga los ajustes o las reparaciones que sean precisos.

### **! ADVERTENCIA**

Esta unidad está equipada con un sistema de encendido que normalmente está listo para usar en todo momento. Después de usarlo para detener el motor, el interruptor de parada regresa automáticamente a la posición "activado" para facilitar un nuevo arranque del motor. Si el motor está caliente, es posible que se pueda arrancar simplemente tirando de la cuerda de arranque, sin necesidad de hacer ajustes adicionales. Para reducir el riesgo de lesiones, preste especial atención a que los niños se mantengan alejados de la máquina.

### **Durante el trabajo**

### **Sujeción y control de la herramienta motorizada**



Cuando trabaje con ella, siempre sujete la máquina firmemente colocando ambas manos en los mangos. Envuelva firmemente los mangos con todos los dedos, manteniéndolos sujetos entre los dedos índice y pulgar. Mantenga las manos en esta posición, para tener la herramienta motorizada siempre bien controlada. Asegúrese de que los mangos y las empuñaduras de su

orilladora están en buenas condiciones y limpios de humedad, alquitrán, aceite, combustible o grasa.

### **! ADVERTENCIA**

Para reducir el riesgo de lesiones provocadas por una pérdida de control, nunca trabaje sobre una escalera ni sobre otra superficie de apoyo que no sea segura. Nunca eleve el accesorio de corte más arriba de su cintura.

### **! ADVERTENCIA**



Nunca intente manejar la herramienta motorizada con una sola mano. La pérdida del control sobre la herramienta motorizada puede ocasionar lesiones graves o incluso mortales. Para reducir el riesgo de cortarse, mantenga las manos y los pies alejados del accesorio de corte. No toque nunca con las manos ni con ninguna otra parte del cuerpo un accesorio de corte en movimiento.

### **! ADVERTENCIA**

No extienda los brazos más de lo necesario. Mantenga el equilibrio y los pies bien apoyados en todo momento. Tenga especial cuidado cuando trabaje sobre terrenos resbaladizos (suelo húmedo, nieve), difíciles o con vegetación alta y abundante. Para evitar tropezarse, preste atención a posibles obstáculos ocultos, como tocones, raíces o zanjas. Para no perder



estabilidad, aparte los arbustos y el material cortado. Proceda con extrema precaución cuando trabaje en declives o en terrenos irregulares.

### Condiciones de trabajo

Arranque y use la herramienta motorizada únicamente en exteriores, en una zona bien ventilada. Manéjela solamente en condiciones de buena visibilidad y a la luz del día. Trabaje con mucho cuidado.

### ! ADVERTENCIA



Tan pronto el motor arranca, este producto genera vapores de escape tóxicos que contienen productos químicos, tales como hidrocarburos sin quemar (incluido el benceno), y monóxido de carbono. Estos productos provocan enfermedades respiratorias, cáncer, defectos de nacimiento u otra toxicidad reproductora. Algunos de estos gases (por ejemplo, el monóxido de carbono), pueden ser incoloros e inodoros. Para reducir el riesgo de sufrir lesiones/enfermedades graves o mortales por inhalación de gases tóxicos, nunca ponga la máquina en funcionamiento en interiores ni en lugares mal ventilados.

### ! ADVERTENCIA

Si la vegetación que está cortando o la tierra a su alrededor está recubierta por una sustancia química (como un pesticida o un herbicida activo), lea y siga las instrucciones suministradas con la sustancia en cuestión.

### ! ADVERTENCIA

La inhalación de determinados polvos, y especialmente de polvos orgánicos como el moho o el polen, puede provocar reacciones alérgicas o asmáticas en personas sensibles a estas sustancias. La inhalación repetida o en grandes cantidades de polvo y de otros contaminantes presentes en el aire, y especialmente de partículas pequeñas, puede causar enfermedades respiratorias o de otro tipo. Controle el polvo en su origen siempre que sea posible. Aplique buenas prácticas de trabajo; por ejemplo, trabaje de manera que el viento o el proceso de corte dirijan el polvo levantado por la herramienta motorizada en sentido opuesto al operador. Siga las recomendaciones de EPA/OSHA/NIOSH, de las asociaciones de trabajo y de los sindicatos en lo que respecta al polvo ("materia particulada"). Si no es posible controlar la inhalación de polvo de manera significativa, es decir, mantenerla al nivel de ambiente (fondo) o cerca del mismo, el operador y cualquier persona que se encuentre en la zona deberán usar una mascarilla aprobada por NIOSH/MSHA para el tipo de polvo que corresponda.

### Instrucciones de manejo

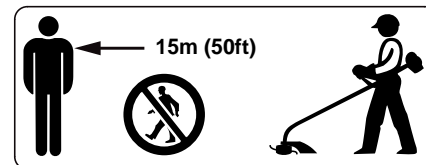
### ! ADVERTENCIA

No use el bloqueo del acelerador de arranque para manejar la herramienta motorizada, puesto que así no podrá controlar la velocidad del motor.

En caso de emergencia, apague el motor inmediatamente: mueva el control deslizante/interruptor de parada a 0 o STOP.

### ! ADVERTENCIA

Cuando gira, el accesorio de corte puede lanzar objetos extraños a gran distancia, directa o indirectamente.



Para reducir el riesgo de lesiones en los ojos o en otras partes del cuerpo, lleve siempre una protección adecuada (consulte el capítulo "Vestimenta adecuada"), y asegúrese de que no haya personas a una distancia de menos de 15 m (50 pies) de la máquina. Para reducir el riesgo de que se produzcan daños materiales, mantenga esta distancia también con respecto a vehículos y ventanas. Aun si se mantiene una distancia mínima de 15 metros, esto no elimina todos los peligros potenciales. Los trabajadores que tengan que permanecer en la zona restringida deben usar también gafas o

anteojos de seguridad. Apague el motor inmediatamente si se le aproxima alguna persona.

**! ADVERTENCIA**



Revise la zona de trabajo. Para reducir el riesgo de lesiones, retire piedras, piezas metálicas y cualquier otro objeto sólido que podría ser lanzado a una distancia de 15 metros o más por el accesorio de corte, o que podría dañar el accesorio de corte u otros materiales (p. ej., vehículos estacionados, ventanas).



**! ADVERTENCIA**

Como norma general, esta orilladora debe usarse a nivel del suelo con el accesorio de corte en paralelo al suelo. El uso de una orilladora por encima del nivel del suelo o con el accesorio de corte en perpendicular al suelo puede aumentar el riesgo de lesiones, dado que el accesorio de corte queda más expuesto y que puede ser más difícil controlar la herramienta motorizada.

**! ADVERTENCIA**

Durante el corte, revise regularmente y con frecuencia si el accesorio de corte está correctamente apretado y en buenas condiciones. Para ello, detenga el motor y el accesorio. Si durante el trabajo nota un cambio en el comportamiento del accesorio, detenga el motor inmediatamente, espere a que

el accesorio de corte se detenga y compruebe si la tuerca que sujeta el accesorio está bien apretada y si la cabeza presenta grietas, desgaste o daños de otro tipo.

**! ADVERTENCIA**

Una cabeza suelta puede vibrar, agrietarse, romperse o desprenderse de la orilladora, y provocar lesiones graves o mortales. Asegúrese de que el accesorio de corte está apretado correctamente. Utilice la llave adjunta o cualquier otra que tenga una longitud suficiente para lograr el par de apriete adecuado. Si la cabeza se suelta después de haberla apretado correctamente, interrumpa el trabajo inmediatamente. La tuerca de retención puede estar desgastada o dañada, y debe sustituirse. Si la cuchilla o la cabeza continúan aflojándose, consulte a su concesionario de STIHL. Nunca use una orilladora con un accesorio de corte suelto.

**! ADVERTENCIA**

Sustituya inmediatamente una cabeza que esté agrietada, dañada o gastada, o una cuchilla que esté agrietada, combada, deformada, dañada, roma o gastada, incluso si solo se ven rayas superficiales. Los accesorios que se encuentran en este estado pueden romperse a velocidades elevadas y causar lesiones graves o mortales.

**! ADVERTENCIA**

Si la cabeza, la cuchilla o el deflector se obstruyen o se atascan, siempre apague el motor y asegúrese de que el accesorio de corte se ha detenido antes

de proceder a la limpieza. Retire el pasto, la maleza, etc. de la cuchilla o de los alrededores de la cabeza en intervalos regulares.

**! ADVERTENCIA**

Para reducir el riesgo de que el accesorio de corte rote de forma accidental y provoque lesiones, siempre apague el motor y retire el casquillo de la bujía antes de sustituir el accesorio de corte. Para reducir el riesgo de lesiones, apague siempre el motor antes de ajustar la longitud del hilo de nilón en cabezas segadoras de ajuste manual.

**! ADVERTENCIA**

La caja de engranajes se calienta durante el funcionamiento de la máquina. Para reducir el riesgo de sufrir lesiones por quemaduras, no toque la carcasa de la caja de engranajes cuando está caliente.

**! ADVERTENCIA**

Nunca modifique el silenciador. Cualquier modificación podría causar un aumento del calor irradiado, de las chispas o del nivel de ruidos, y elevar así el riesgo de incendios, quemaduras o pérdidas de capacidad auditiva. Además, se podría dañar permanentemente el motor. Encargue el mantenimiento y la reparación de su silenciador únicamente al concesionario de servicio STIHL.

**! ADVERTENCIA**

El silenciador y otros componentes del motor (p. ej., las aletas del cilindro, la bujía), se calientan durante el

funcionamiento y permanecen calientes durante un tiempo una vez apagado el motor. Para reducir el riesgo de quemaduras, no toque el silenciador ni otros componentes mientras están calientes. Mantenga limpia la zona alrededor del silenciador. Elimine el exceso de lubricante y todos los demás residuos, como agujas de pinos, ramas u hojas. Deje que el motor se enfríe apoyado sobre una superficie de hormigón, metal, suelo raso o madera maciza, lejos de sustancias combustibles tales como arbustos secos, pasto o virutas de madera.

### **!** ADVERTENCIA

Una caja de cilindro dañada o mal montada, o una envuelta del silenciador dañada/deformada, pueden afectar al proceso de enfriamiento del silenciador. Para reducir el riesgo de incendio o de lesiones por quemadura, no continúe trabajando si la carcasa de cilindro o la envuelta del silenciador están dañadas o deformadas.

El silenciador tiene un chispero diseñado para reducir el riesgo de incendio debido a la emisión de partículas calientes. Nunca ponga la unidad en marcha si no está instalado el chispero. Si la mezcla de gasolina y aceite es correcta (no es demasiado rica), este chispero quedará limpio en condiciones normales como resultado del calor del silenciador, y no necesitará servicio ni mantenimiento. Si el rendimiento de su máquina comienza a disminuir y sospecha que el chispero está obstruido, lleve a reparar el silenciador a un concesionario de servicio STIHL. Para ciertas aplicaciones, las leyes o los

reglamentos estatales o federales pueden requerir el uso de un chispero en buenas condiciones. Consulte la sección "Mantenimiento, reparación y almacenamiento" de estas Medidas de seguridad. Recuerde que el riesgo de incendios de matorrales o forestales es mayor durante las estaciones calurosas y secas.

## **USO DEL ACCESORIO DE CORTE**

Encontrará una ilustración de los distintos accesorios de corte y las instrucciones sobre su montaje correcto en el capítulo "Montaje del accesorio de corte" de su manual de instrucciones.

### **!** ADVERTENCIA

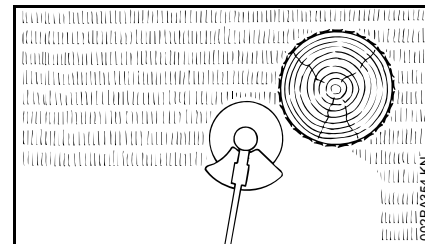
Para reducir el riesgo de lesiones graves o mortales provocadas por un contacto con las cuchillas y/o por una pérdida de control, nunca intente usar una cuchilla metálica en esta orilladora.

### **Uso de las cabezas segadoras**

No las use con un hilo de segado más largo de lo deseado. Con un deflector montado correctamente, la cuchilla limitadora integrada ajustará el hilo automáticamente al largo adecuado.

Si la máquina se usa con un hilo de corte de nilón excesivamente largo, aumenta la carga del motor y se reduce la velocidad de funcionamiento. Esto hace que el embrague patine continuamente y provoca sobrecalentamiento y daños en componentes importantes (p. ej., en el embrague y en las piezas de polímero de la carcasa). Este tipo de daños pueden provocar, entre otras cosas, que

el accesorio de corte gire cuando el motor está a la velocidad de marcha en vacío.



Las cabezas segadoras deben usarse solamente en orilladoras equipadas con una cuchilla limitadora del hilo en el deflector que mantenga el hilo a la longitud correcta (consulte el capítulo "Piezas principales" del manual de instrucciones).

Si en las orillas del césped hay árboles plantados, una valla, etc., la mejor opción es usar una cabeza con hilo de nilón. Proporciona un corte más "suave" y reduce el riesgo de dañar la corteza de los árboles, etc., que es mayor si se usan cuchillas de polímero.

Sin embargo, la cabeza PolyCut con cuchillas de polímero de STIHL produce un mejor corte si no hay plantas a lo largo del borde del césped. No es necesario afilar, y las cuchillas de polímero desgastadas se cambian fácilmente.

### **!** ADVERTENCIA

Para reducir el riesgo de lesiones graves, nunca use un hilo de alambre o reforzado con metal ni ningún otro material en lugar de los hilos de corte de nilón. Podrían desprenderse pedazos

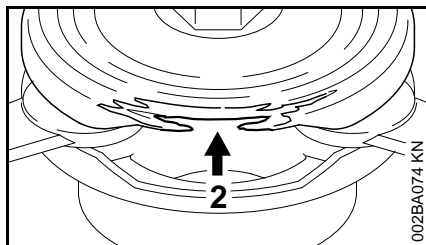
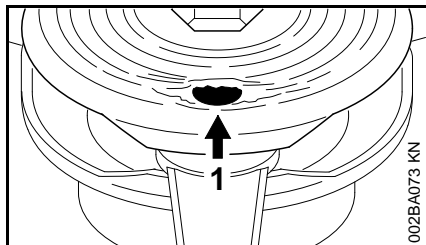
de alambre, que podrían salir despedidos a gran velocidad contra el operador o contra otras personas.

### Cabeza segadora AutoCut de STIHL

El hilo de corte de nilón avanza automáticamente cuando se golpea contra el suelo (TapAction).

### Cabeza segadora PolyCut de STIHL

Utiliza cuchillas de polímero pivotantes no rígidas.



No siga usando la PolyCut si uno de los agujeros circulares (1; flecha) está visible o si el borde saliente (2; flecha) está gastado. Instale una nueva cabeza segadora.

### ADVERTENCIA

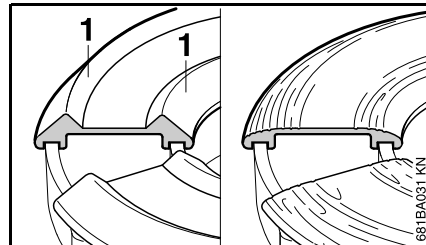
Para reducir el riesgo de accidentes provocados por la rotura de las cuchillas, evite el contacto con piedras, metales y otros objetos sólidos similares. Revise las cuchillas PolyCut

en intervalos regulares. Si detecta una fisura en una cuchilla, sustituya siempre todas las cuchillas.

### Cabeza segadora FixCut de STIHL

Utiliza fragmentos de hilo de nilón precortados.

Preste atención a los indicadores de desgaste.



No siga usando la cabeza segadora si las molduras en relieve (1) de la base están gastadas o han desaparecido por completo (véase la parte derecha de la ilustración superior). Si no tiene en cuenta esto, la cabeza segadora podría romperse, y podrían salir despedidos objetos que podrían provocar lesiones al operador o a las personas de los alrededores. Instale una nueva cabeza segadora.

### MANTENIMIENTO, REPARACIÓN Y ALMACENAMIENTO

Los trabajos de mantenimiento, sustitución o reparación de los dispositivos y sistemas de control de emisiones de escape pueden ser realizados por cualquier taller o técnico de motores no diseñados para vehículos. Sin embargo, si reclama la garantía de algún componente que no

ha sido reparado o mantenido debidamente, STIHL puede denegar la garantía.

### ADVERTENCIA

Utilice solamente piezas de repuesto de STIHL idénticas a las originales para el mantenimiento y las reparaciones. El uso de piezas no fabricadas por STIHL puede causar lesiones graves o incluso mortales.

Respete rigurosamente las instrucciones de mantenimiento y reparación que figuran en las secciones correspondientes de su manual de instrucciones.

### ADVERTENCIA

Siempre apague el motor y asegúrese de que el accesorio de corte está parado antes de llevar a cabo cualquier trabajo de mantenimiento, reparación o limpieza de la herramienta motorizada. No intente llevar a cabo ningún trabajo de mantenimiento o reparación que no esté descrito en su manual de instrucciones. Este tipo de trabajos deben ser realizados únicamente por el concesionario de servicio de STIHL.

### ADVERTENCIA

Use la bujía especificada y asegúrese de que tanto esta como el cable de encendido están siempre limpios y en buen estado. Siempre inserte el casquillo de la bujía bien apretado en el borne de la bujía del tamaño adecuado. (Nota: Si el terminal tiene una tuerca adaptadora SAE desmontable, debe estar colocada firmemente). Una conexión suelta entre la bujía y el

conector del cable de encendido del casquillo puede crear un arco voltaico, encender los vapores del combustible y provocar un incendio.

### **ADVERTENCIA**

Nunca pruebe el sistema de encendido tirando de la cuerda de arranque cuando el casquillo de la bujía no esté montado, o si se ha retirado la bujía: el encendido normalmente está en la posición "activado", y existe el riesgo de que las chispas sin control puedan provocar un incendio.

### **ADVERTENCIA**

Nunca maneje su herramienta motorizada si el silenciador está dañado, se ha perdido o se ha modificado. Un silenciador mal cuidado aumenta el riesgo de incendio y puede causar pérdidas de audición. El silenciador está equipado con un chispero para reducir el riesgo de incendio; no maneje nunca su herramienta motorizada si el chispero falta o está dañado. Recuerde que el riesgo de incendios de matorrales o forestales es mayor durante las estaciones calurosas y secas.

En California, constituiría una violación de los acápites § 4442 o § 4443 del Código de Recursos Públicos el uso de herramientas con motor de gasolina en tierras cubiertas por bosques, arbustos o pastos, a menos que el sistema de escape del motor cuente con un parachispas que satisfaga los requisitos legales y reciba un mantenimiento adecuado para estar en buenas condiciones de funcionamiento. El propietario/operador de este producto

es responsable de garantizar un mantenimiento adecuado del parachispas. Otros estados, u otras entidades/agencias gubernamentales, tales como el Servicio Forestal de los EE.UU., pueden tener requisitos similares. Póngase en contacto con el cuerpo de bomberos o con el servicio forestal de su localidad para informarse sobre las leyes y los reglamentos relacionados con los requisitos para la prevención de incendios.

### **ADVERTENCIA**

Nunca repare cabezas que estén dañadas o rotas. Esto podría causar el desprendimiento de alguna pieza del accesorio de corte y producir lesiones graves o mortales.

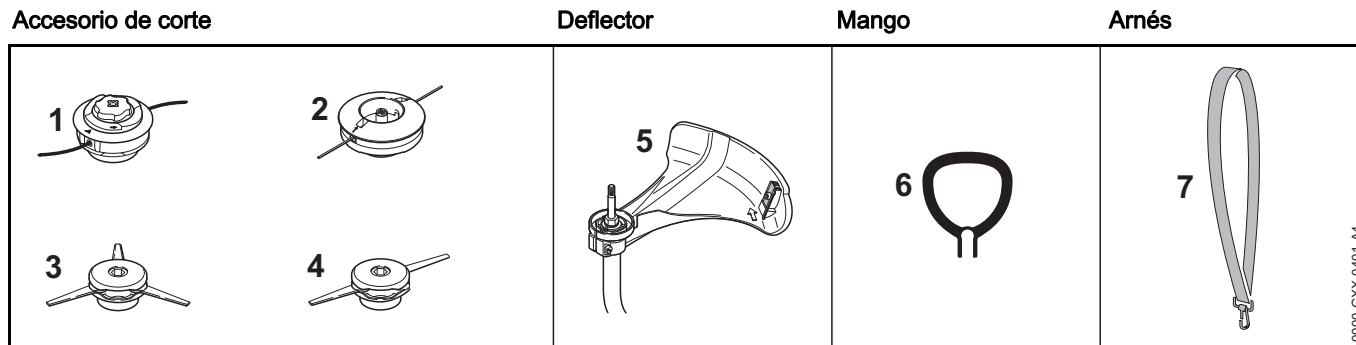
Apriete todas las tuercas, pernos y tornillos, excepto los tornillos de ajuste del carburador, después de cada uso.

No limpie la máquina con una hidrolavadora. El potente chorro de agua podría dañar piezas de la máquina.

Guarde la herramienta motorizada en un lugar seco y elevado o con llave, lejos del alcance de los niños.

Si la máquina va a estar guardada durante un período de más de unos pocos días, vacíe siempre el depósito de combustible. Consulte el capítulo "Almacenamiento de la máquina" del manual de instrucciones.

## Combinaciones aprobadas de accesorio de corte, deflector, mango y arnés



### Combinaciones aprobadas

La combinación completa consta de:

- Accesorio de corte
- Deflector
- Mango
- Arnés

Con ayuda de la tabla, seleccione la combinación adecuada para el accesorio de corte que va a utilizar.

### **!** ADVERTENCIA

Para reducir el riesgo de lesiones, no están permitidas otras combinaciones.

### Accesorios de corte

#### Cabezas segadoras

- 1 STIHL AutoCut C 6-2
- 2 STIHL DuroCut 5-2
- 3 STIHL PolyCut 7-3

### 4 STIHL PolyCut 6-2

#### Deflector

- 5 Deflector con cuchilla, para cabezas segadoras

#### Mango

- 6 Mango tipo lazo

#### Arnés

- 7 Se puede usar la correa para el hombro

### **!** ADVERTENCIA

Basado en el accesorio de corte en uso:

Seleccione un deflector adecuado para reducir el riesgo de lesiones causadas por los objetos lanzados y por el contacto con el accesorio de corte.

Para reducir el riesgo de sufrir lesiones debido a la pérdida de control y al contacto con el accesorio de corte, asegúrese que su máquina está equipada con el mango y arnés correctos.

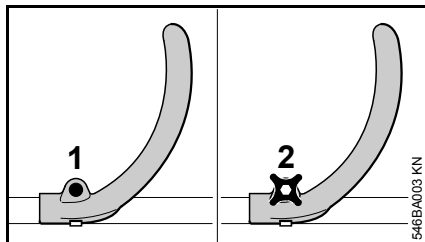
No utilice cuchillas de polímero rígido, accesorios de corte metálicos ni discos de sierra con esta máquina.

Solamente las cabezas segadoras pueden usarse en las motoguadañas con mango tórico equipadas con un tubo de mando curvo.

## Montaje del mango tórico

En el tubo de mando, la nueva herramienta motorizada tiene montado un mango tórico que debe girarse y alinearse de acuerdo con sus necesidades.

### Ajuste del mango tórico



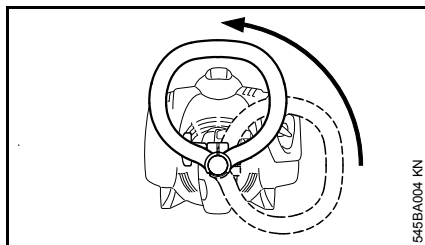
### Versiones con tornillo (FS 40)

- Utilice un destornillador o la llave combinada para aflojar el tornillo (1) en el mango.

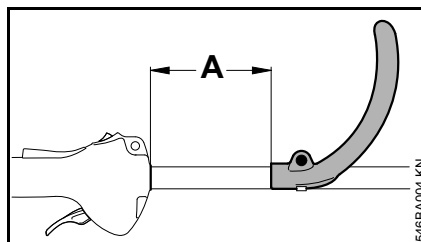
### Versiones con perilla (FS 50)

- Afloje la perilla (2) en el mango.

### Todas las versiones



- Gire el mango a la posición vertical.

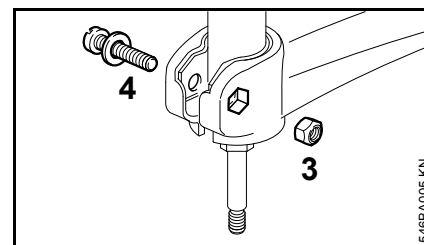
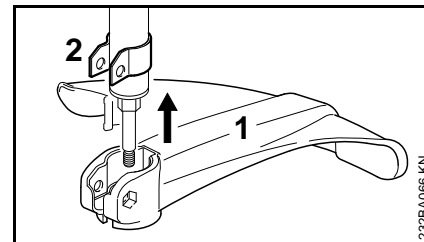


El mango tórico puede ajustarse de acuerdo con la talla y el alcance del operador y la aplicación, variando la distancia (A).

Distancia recomendada (A):  
aprox. 15 cm (6 pulg)

- Deslice el mango a la posición requerida.
- Apriete el tornillo o la perilla hasta que no sea posible girar el mango en el tubo de mando.

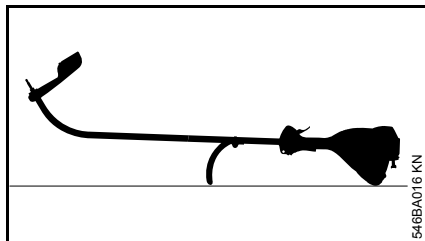
## Montaje de la barra de defensa



- Empuje el deflector (1) sobre la abrazadera (2) hasta el tope.
- Inserte la tuerca (3) en el rebajo hexagonal del deflector – asegúrese de alinear los agujeros.
- Inserte el tornillo (4) con la arandela y apriételo bien firme.

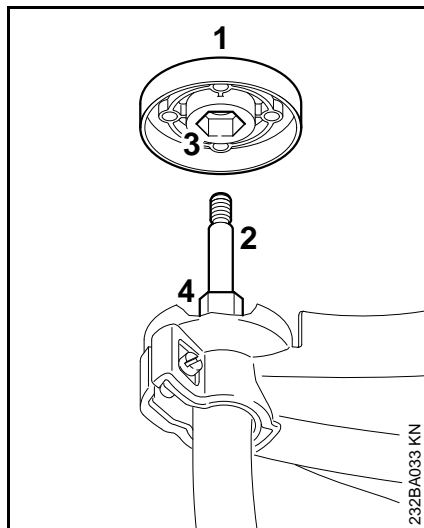
## Montaje del accesorio de corte

### Colocación de la herramienta motorizada en el suelo



- Apague el motor.
- Apoye la orilladora sobre su parte trasera con el mango tórico y la cubierta orientados hacia abajo y el eje de salida vuelto hacia arriba.

### Placa de empuje



La placa de empuje (1) se suministra con la DuroCut 5-2 y PolyCut 6-3. Es necesario usarla solamente para con estas cabezas segadoras.

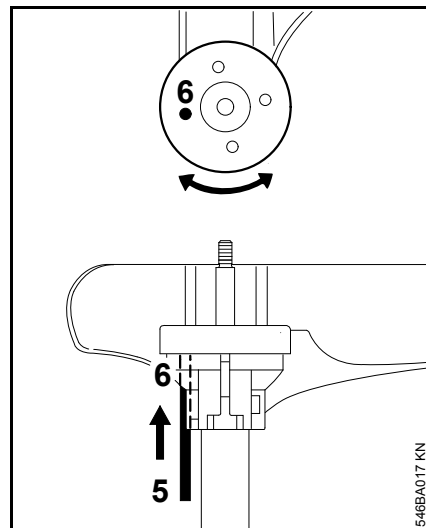
#### Cabeza segadora STIHL AutoCut 5-2, cabeza segadora STIHL AutoCut C 5-2

- Si la tiene, extraiga del eje (2) la placa de empuje (1).

#### Cabeza segadora STIHL PolyCut 5-2, cabeza segadora STIHL FixCut 6-3

- Deslice la placa de empuje (1) sobre el eje (2) y engrane el rebajo hexagonal (3) en el hexágono externo (4).

### Bloqueo del eje

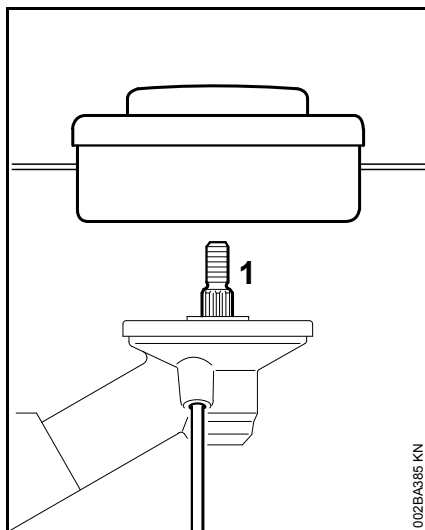


- Para bloquear el eje, empuje una herramienta adecuada (5) a través de los agujeros (6) en el deflector y la placa de empuje – si es necesario, gire la placa hacia uno y otro lado.

### Colocación de la cabeza segadora con tornillo de montaje

Guarde la hoja de instrucciones suplementaria de la cabeza segadora en un lugar seguro.





- Coloque la placa de empuje.
- Gire la cabeza segadora en el eje (1) en sentido antihorario, hasta el tope.
- Retenga el eje.
- Apriete la cabeza segadora.

### INDICACIÓN

Retire la herramienta que haya usado para bloquear el eje.

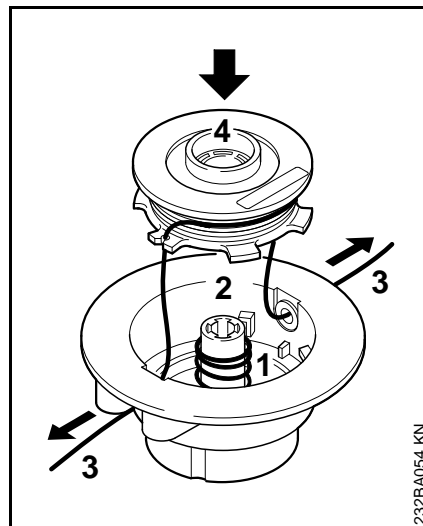
### Desmontaje de la cabeza segadora

- Retenga el eje.
- Gire la cabeza segadora en sentido horario.

### Colocación de cabeza segadora sin tornillo de montaje

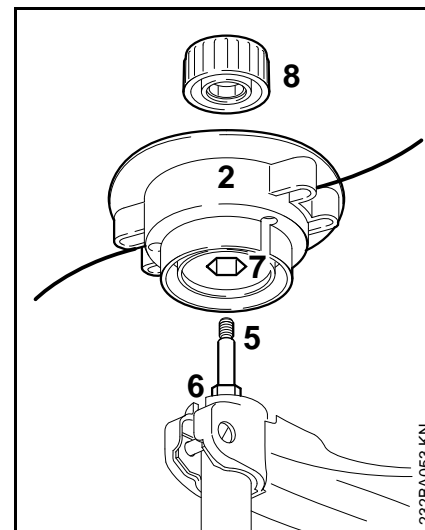
Guarde la hoja de instrucciones de la cabeza segadora en un lugar seguro.

### STIHL AutoCut 5-2



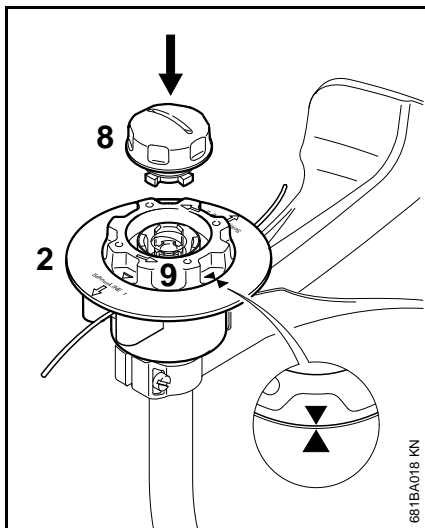
- Coloque el resorte (1) en la cabeza segadora (2).
- Enrolle el hilo de corte (3) en el carrete (4).
- Pase la punta del hilo de nilón a través de los manguitos y coloque el carrete en la cabeza.

Los pasos individuales se describen en la hoja de instrucciones suministrada.



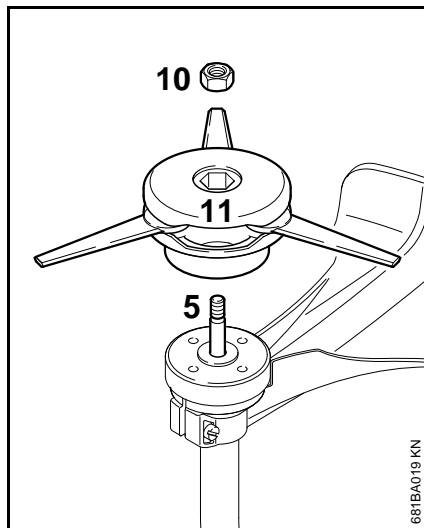
- Deslice la cabeza segadora (2) por encima del tubo (5) y engrane el rebajo hexagonal (7) en el hexágono externo (6).
- Coloque la tapa (8) en la cabeza segadora y atorníllela en sentido horario en el eje hasta donde tope.

## STIHL AutoCut C 5-2



- Deslice la cabeza segadora (2) sobre el eje, como se hace con la AutoCut 5-2.
- Enrosque el carrete (9) en sentido horario hasta que las dos flechas queden alineadas entre sí - fije el carrete en esta posición.
- Coloque la tapa (8) en el carrete, presionándola hacia abajo hasta el tope y girándola en sentido horario al mismo tiempo.
- Gire la tapa hasta que se siente resistencia y luego apriétela bien firme con la mano.

## STIHL PolyCut 6-3



- Instale la placa de empuje en el eje.
- Inserte la tuerca (10) en la cabeza segadora.
- Atornille la cabeza segadora (11) en sentido horario en el eje (5) hasta donde tope.
- Bloquee el eje.
- Apriete la cabeza segadora bien firme.

### ADVERTENCIA

Si la tuerca de montaje está demasiado floja, instale una nueva.

### INDICACIÓN

Quite la herramienta usada para bloquear el eje.

## Retire la cabeza segadora.

### STIHL AutoCut

- Sujete la cabeza segadora firmemente.
- Destornille la tapa en sentido contrahorario.

### STIHL PolyCut

- Bloquee el eje.
- Destornille la cabeza segadora en sentido contrahorario.

## Combustible

Este motor está certificado para funcionar con una mezcla de 50 a 1 de gasolina sin plomo y aceite STIHL para motores de dos tiempos.

Su motor requiere una mezcla de gasolina de alta calidad y aceite para motores de dos tiempos enfriados por aire.

Utilice gasolina sin plomo de grado intermedio con un octanaje mínimo de 89 ((R+M)/2) y un contenido de etanol no mayor que el 10%.

### INDICACIÓN

El combustible de octanaje inferior a 89 puede aumentar la temperatura de funcionamiento del motor. Esto, a su vez, aumenta el riesgo de que se agarrote el pistón y se dañe el motor.

La composición química del combustible también es importante. Algunos aditivos de combustible no solamente tienen efectos perjudiciales en los elastómeros (diafragmas de carburador, sellos de aceite, tuberías de combustible, etc.), sino también en las piezas fundidas de magnesio y en los convertidores catalíticos. Esto podría causar problemas de funcionamiento o daño del motor. Por esta razón, STIHL recomienda el uso exclusivo de gasolina sin plomo reconocida de buena calidad.

### INDICACIÓN

La gasolina con un contenido de etanol mayor que el 10% puede causar problemas de funcionamiento y averías graves en motores, por lo cual no debe utilizarse.

Consulte [www.STIHLusa.com/ethanol](http://www.STIHLusa.com/ethanol) para mayor información

El contenido de etanol en la gasolina afecta el régimen del motor – podría resultar necesario reajustar el carburador si se utilizan combustibles con diversos niveles de contenido de etanol.



### ADVERTENCIA

Para reducir el riesgo de lesiones personales debido a la pérdida de control y/o al contacto con la herramienta de corte en movimiento, no use una máquina cuyo régimen de marcha en vacío está mal regulado.

Cuando el marcha en vacío está correctamente regulado, la herramienta de corte no debe moverse.

Si la velocidad de marcha en vacío de la máquina no está debidamente ajustada, haga que un concesionario de servicio STIHL autorizado revise la máquina y haga los ajustes o reparaciones correspondientes.

Las velocidades de ralentí y máxima del motor varían si se cambia el combustible por otro con un contenido mayor o menor de etanol.

Este problema se evita si siempre se utiliza combustible con un mismo contenido de etanol.

Para asegurar el funcionamiento máximo de su motor STIHL, use el aceite para motor de 2 tiempos de alta calidad. Para asegurar el funcionamiento limpio del motor y para reducir los depósitos de carbono nocivos, STIHL recomienda el uso del aceite para motor de 2 tiempos STIHL Ultra o consulte con su concesionario para obtener un aceite para motor de 2 tiempos plenamente sintético equivalente.

Para satisfacer los requisitos de la norma EPA y CARB recomendamos el uso del aceite STIHL HP Ultra.

### STIHL MotoMix

STIHL recomienda usar STIHL MotoMix. STIHL MotoMix tiene un índice de octanaje elevado y asegura que siempre se utilice la proporción correcta de mezcla de gasolina/aceite.

STIHL MotoMix se mezcla con aceite STIHL HP Ultra para motores de dos tiempos para motores de alto rendimiento.

Consulte [www.STIHLusa.com/ethanol](http://www.STIHLusa.com/ethanol) para mayor información

Si no está utilizando MotoMix, use solamente el aceite STIHL para motores de dos tiempos o un aceite de marca equivalente para motores de dos tiempos diseñado para usar con los motores de dos tiempos enfriados por aire.

El uso de una mezcla de gasolina no apropiada para el tiempo puede aumentar la posibilidad de que se acumule presión en el tanque de combustible durante el funcionamiento.

Por ejemplo, el uso de una mezcla para invierno durante el verano aumenta la presión en el tanque. Siempre utilice la mezcla de gasolina apropiada para el tiempo, la altura y otros factores ambientales.

No use aceites para mezclar con designaciones NMMA o TCW (para motores de dos tiempos enfriados por agua) ni otros aceites para mezclar diseñados para usar en motores enfriados por agua o por aire (por ejemplo, en motores marinos fuera de borda, motonieves, sierras de cadenas, bicimotos, etc.).

### ADVERTENCIA

Manipule la gasolina con sumo cuidado. Evite el contacto directo con la piel y evite inhalar los vapores del combustible. Cuando se reabastece de combustible, quite primero el envase del vehículo y colóquelo en el suelo antes de llenarlo. Para reducir el riesgo de la formación de chispas causadas por la descarga de electricidad estática y un posible incendio y/o explosión, no llene los envases de combustible cuando están colocados dentro de un vehículo o remolque.

Mantenga el envase bien cerrado para limitar la cantidad de humedad que penetre en la mezcla.

Limpie el tanque de combustible de la máquina según sea necesario.

### Duración de la mezcla de combustible

Si no está utilizando MotoMix, mezcle una cantidad suficiente de combustible para trabajar unos pocos días, no lo

guarde por más de 30 días. Guárdelo únicamente en envases aprobados para combustible. Para el proceso de mezclado, vierta el aceite en el envase primero y luego agregue la gasolina. Cierre el envase y agítelo vigorosamente a mano para asegurar que se mezclen bien el aceite y la gasolina.

### ADVERTENCIA

La agitación del combustible puede causar la acumulación de presión en el envase. Para reducir el riesgo de incendios y lesiones personales graves o daños a la propiedad debido al rociado del combustible, permita que el envase permanezca en reposo por varios minutos antes de abrirlo. Abra el envase lentamente para aliviar la presión residual. Nunca abra el envase de combustible cerca de fuentes de encendido. Lea y respete todas las advertencias e instrucciones que acompañan al envase de combustible.

| Gasolina<br>gal EE.<br>UU. | Aceite (STIHL 50:1 ó aceite<br>de alta calidad equivalente)<br>oz fl EE.<br>UU. |
|----------------------------|---|
| 1                          | 2,6   |
| 2 1/2                      | 6,4   |
| 5                          | 12,8  |

Deseche los envases vacíos usados para mezclar el aceite únicamente en vertederos autorizados para ello.

## Llenado de combustible

### ADVERTENCIA



Si se quita la tapa del depósito de cuando está a presión, se podría causar la liberación explosiva de gasolina, vapores y humos en todas las direcciones. Los escapes de gasolina, vapores o humos, que a veces se denominan rocío o "efecto géiser" de combustible, pueden causar lesiones personales graves, incluso incendios y quemaduras, y daños a la propiedad.

El rocío de combustible puede suceder cuando el motor está caliente y el depósito se abre cuando está presurizado. Puede suceder en entornos cálidos, aun si el motor no ha estado en marcha. El rocío es más probable cuando el depósito está lleno a la mitad o más.

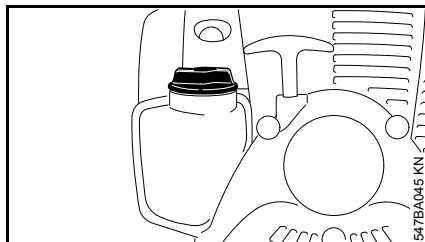
**Evite las lesiones por el rocío de combustible.**

Siempre atégase a las instrucciones para el llenado de combustible dadas en este manual:

- Trate todos los depósitos de combustible como estuvieran presurizados, especialmente si están llenos a la mitad o más.
- Siempre permita que la herramienta motorizada se enfríe adecuadamente antes de abrir el depósito de combustible o llenarlo; esto tomará más tiempo en condiciones calientes.
- Nunca quite la tapa por medio de girarla directamente a la posición abierta. Primero, gírela aproximadamente 1/2 de vuelta en sentido contrahorario para aliviar la presión residual.
- Nunca abra el depósito de combustible mientras el motor esté caliente o en marcha.
- Nunca abra el depósito ni cargue combustible en la herramienta motorizada cerca de chispas, llamas u otras fuentes de encendido.
- escoja el combustible correcto; utilice únicamente combustible de buena calidad (89 octanos o más), fresco y en una mezcla adecuada para la temporada.
- Bloqueo de vapor: no quite la tapa del depósito de combustible en un esfuerzo por eliminar un bloqueo de vapor. Quitar la tapa no surte efecto alguno sobre un bloqueo de vapor.
- Sea consciente de que el rocío de combustible es más probable a alturas mayores.



## Preparaciones

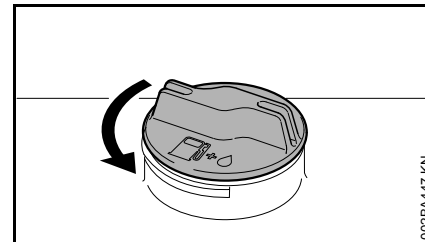


- Antes de llenar la máquina con combustible, limpie a fondo la tapa de llenado y la zona alrededor del mismo para evitar la entrada de tierra al depósito.
- Coloque la máquina de modo que la tapa de llenado quede orientada hacia arriba.

## ADVERTENCIA

Para reducir el riesgo de incendios y de lesiones corporales ocasionadas por los escapes de vapor de gasolina y otras emanaciones, quite la tapa de llenado de combustible lenta y cuidadosamente de modo que la presión que se pueda haber acumulado en el depósito se disipe lentamente.

## Apertura



## ADVERTENCIA

Después de permitir que la herramienta motorizada se enfríe, quite la tapa de llenado de combustible de modo lento y cuidadoso para liberar la presión acumulada en el depósito:

- Mantenga aplicada una presión constante hacia abajo y gire la tapa aproximadamente 1/2 vuelta en sentido contrahorario.
- Si se produce una ventilación significativa, de inmediato vuelva a cerrar el depósito por medio de girar la tapa en sentido horario a la posición cerrada. Permita que la herramienta motorizada se enfríe adecuadamente antes de abrir el depósito.
- Gire la tapa a la posición abierta solamente después de que el contenido del depósito ya no se encuentre bajo presión.
- Retire la tapa de llenado de combustible.

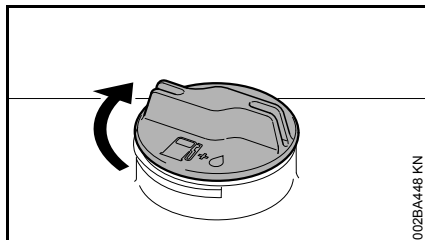
## **!** ADVERTENCIA

Nunca quite la tapa por medio de girarla directamente a la posición abierta. Primero permita que la herramienta motorizada se enfríe de modo adecuado y libere la presión acumulada por medio de girar la tapa lentamente aproximadamente 1/2 vuelta hacia la derecha. Nunca quite la tapa mientras el motor esté caliente o en marcha.

### Carga de combustible

Tenga cuidado de no derramar el combustible y no llene en exceso el depósito - deje un espacio de aire de aproximadamente 13 mm (1/2 pulg).

### Cierre



## **!** ADVERTENCIA

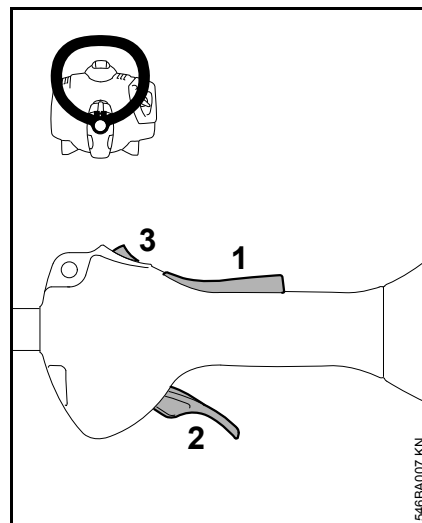
Si la tapa de combustible está mal apretada, la misma puede soltarse o salirse y causar el derramamiento del combustible. Para reducir el riesgo de derrames e incendio, por la colocación incorrecta de la tapa, apriete la tapa de llenado de combustible a mano con la mayor fuerza posible:

- Si no es posible apretar la tapa del depósito de combustible adecuadamente, la misma podría no ser la adecuada o está averiada. Suspense el uso de la herramienta motorizada y llévela al concesionario autorizado de STIHL para la reparación o remplazo del caso.

## Arranque / parada del motor

### Controles

#### Versión con mango circular



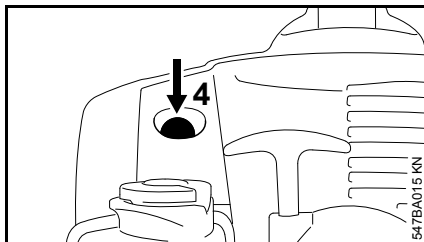
- 1 Bloqueo del gatillo de aceleración
- 2 Gatillo de aceleración
- 3 Interruptor de parada con posiciones de Marcha y 0 = Parada.

#### Funcionamiento del interruptor de parada y sistema de encendido

El interruptor de parada está normalmente en la posición "Run" ("marcha"), esto es, cuando no está oprimido, el encendido está conectado y el motor, listo para arrancar. Si el interruptor de parada se mueve a la posición 0, el encendido está

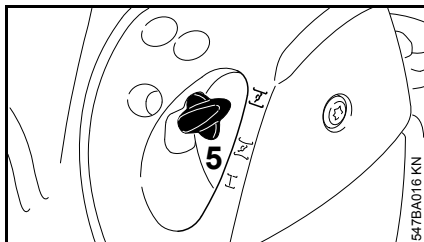
desconectado. El sistema de encendido se conecta de nuevo automáticamente una vez que el motor se detiene.

### Arranque del motor



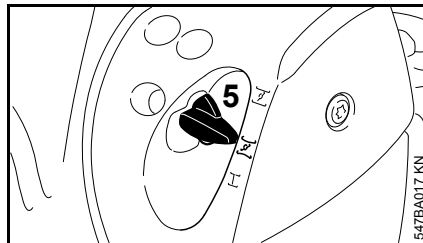
- Oprima el bulbo (4) de la bomba de combustible manual por lo menos cinco veces, aunque el bulbo esté lleno de combustible.

### Motor frío (arranque en frío)



- Apriete la palanca del estrangulador (5) y gírela a **I** al mismo tiempo.

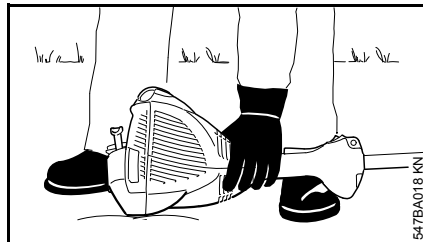
### Motor caliente (arranque en caliente)



- Apriete la palanca del estrangulador (5) y gírela a **II** al mismo tiempo.

Use esta posición también si el motor ha estado en marcha pero aún está frío.

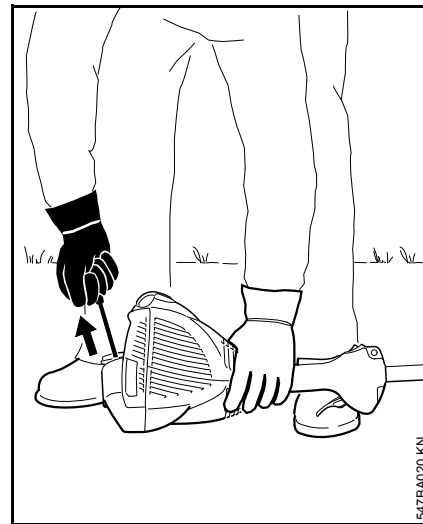
### Arranque manual



- Deposite la máquina en el suelo: debe reposar de modo seguro sobre la brida del motor y el deflector. Compruebe que el accesorio de corte no está tocando el suelo ni ningún otro obstáculo.
- Asegúrese de que tiene los pies apoyados de modo seguro y firme.
- Sujete la máquina firmemente en el suelo con la mano izquierda y empujela hacia abajo: no toque el gatillo de aceleración ni la palanca de bloqueo.

### INDICACIÓN

No apoye los pies ni las rodillas sobre el tubo de mando.



- Sujete el mango de arranque con la mano derecha.

### Versión sin Easy2Start

- Tire lentamente del mango de arranque hasta que sienta que engrana y en ese momento dele un tirón fuerte y rápido.

### Versión con Easy2Start

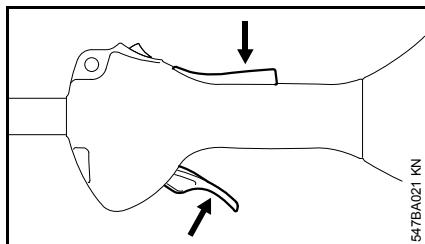
- Tire uniformemente del mango de arranque.

### INDICACIÓN

No tire de la cuerda de arranque hasta sacarla por completo: se podría romper.

- No permita que el mango de arranque retroceda bruscamente. Guíelo lentamente hacia el interior de la carcasa de modo que la cuerda de arranque se enrolle correctamente.
- Continúe haciendo girar el motor hasta que arranque.

### Tan pronto arranque el motor



- Apriete hacia abajo el bloqueo del gatillo de aceleración y abra el acelerador: la palanca del estrangulador se mueve a la posición de marcha I. Si ha arrancado el motor en frío, abra el acelerador varias veces para que se caliente.

### **!** ADVERTENCIA

Asegúrese de que el carburador está ajustado correctamente. El accesorio de corte no debe girar cuando el motor está en marcha en vacío.

Su máquina está lista para el uso.

### Parada del motor

- Mueva el interruptor de parada hacia 0: el motor se para. Suelte el interruptor de parada: regresa a la posición de marcha.

### Sugerencias adicionales para el arranque

#### El motor se cala en la posición de arranque en frío **I** o durante la aceleración

- Mueva la palanca del estrangulador a **II** y continúe haciendo girar el motor hasta que arranque.

#### El motor no arranca en la posición de arranque en caliente **II**

- Mueva la palanca del estrangulador a **I** y continúe haciendo girar el motor hasta que arranque.

#### Si el motor no arranca

- Compruebe si todos los ajustes son correctos.
- Compruebe si hay combustible en el tanque y agregue combustible si fuera necesario.
- Compruebe si el casquillo de la bujía está conectado correctamente.
- Repita el procedimiento de arranque.

#### El motor está "ahogado"

- Mueva la palanca del estrangulador a **I** y continúe haciendo girar el motor hasta que arranque.

### Se agotó completamente el combustible del tanque

- Después de llenar el tanque, oprima el bulbo de la bomba de combustible manual como mínimo cinco veces, aunque el bulbo esté lleno de combustible.
- Ajuste la palanca del estrangulador a la posición adecuada según la temperatura del motor.
- Ahora, arranque el motor.



## Instrucciones para el uso

### Durante el período de rodaje

Una máquina nueva de fábrica no debe hacerse funcionar a velocidad alta (aceleración máxima sin carga) por el lapso que tome llenar el tanque tres veces. Esto evita la imposición de cargas innecesariamente altas durante el período de rodaje. Ya que todas las piezas móviles deben asentarse durante el período de rodaje inicial, durante este tiempo la resistencia causada por fricción en el motor es más elevada. El motor desarrolla su potencia máxima después de haber llenado el tanque de 5 a 15 veces.

### Durante el trabajo

Después de un período largo de funcionamiento con el acelerador a fondo, deje funcionar el motor por un rato en ralentí de modo que el calor en el motor sea disipado por la corriente de aire de enfriamiento. Esto ayuda a evitar que los componentes montados en el motor (encendido, carburador) sufran sobrecargas térmicas.

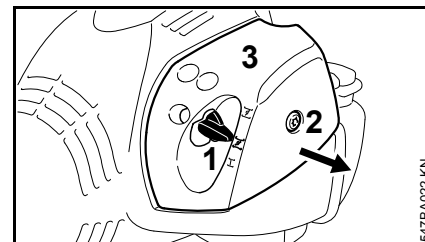
### Después de terminar el trabajo

Almacenamiento por corto tiempo:  
Espere hasta que el motor se enfríe.  
Vacíe el tanque de combustible y guarde la máquina en un lugar seco, alejada de fuentes de encendido, hasta que la vuelva a utilizar. Para los

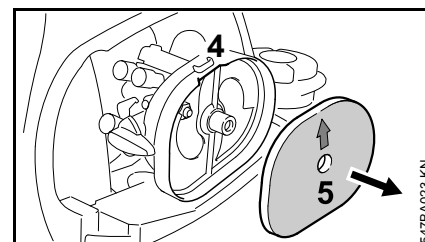
intervalos de almacenamiento por tiempo prolongado – vea "Almacenamiento de la máquina".

## Limpeza del filtro de aire

### Si se nota una pérdida considerable de la potencia del motor



- Ponga la palanca del estrangulador (1) en  $\bar{\text{Z}}$ .
- Gire el tornillo (2) en la cubierta del filtro (3) en sentido contrahorario hasta que la cubierta esté suelta.
- Levante cuidadosamente la cubierta del filtro (3) encima de la lengüeta y quítela.
- Limpie toda la suciedad de alrededor del filtro.



- Extraiga el filtro de fieltro (5) del rebajo (4) en la caja del filtro.
- Coloque un elemento de filtro de fieltro (5) nuevo. Como una medida provisoria, es posible limpiarlo

golpeándolo en la palma de la mano o soplándolo con aire comprimido. No lo lave.

### INDICACIÓN

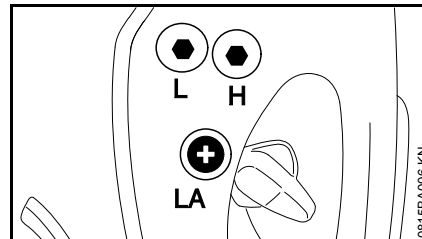
Siempre sustituya las piezas dañadas.

- Instale el filtro de fieltro (5) en la caja y asegúrese que esté bien asentado – la flecha debe apuntar hacia el rebajo.
- Ponga la palanca del estrangulador (1) en  $\overline{\text{Z}}$ .
- Coloque la cubierta del filtro en su lugar y asegúrese que el tornillo esté recto. Apriete el tornillo.

## Gestión del motor

Las emisiones de gases de escape son controladas por el diseño del motor y sus componentes (por ej. carburación, encendido, sincronización y regulación de las válvulas o la lumbrera).

## Ajuste del carburador



El carburador se ajusta en fábrica para garantizar que la mezcla de combustible/aire sea óptima bajo la mayoría de las condiciones de trabajo.

### Ajuste de marcha en vacío

#### El motor se para durante el funcionamiento a marcha en vacío

- Caliente el motor por aproximadamente 3 minutos.
- Gire el tornillo de marcha en vacío (LA) lentamente en sentido horario hasta que el motor funcione de modo uniforme – el accesorio de corte no deberá funcionar.

#### El accesorio de corte funciona cuando el motor está en marcha en vacío

- Gire el tornillo de ajuste de marcha en vacío (LA) lentamente en sentido contrahorario hasta que el accesorio de corte se detenga y luego gire el tornillo de 1/2 a 3/4 de vuelta adicional en el mismo sentido.

## ADVERTENCIA

Si el accesorio de corte sigue girando cuando el motor está funcionando a marcha en vacío, pida a su concesionario de servicio que revise y repare la máquina.

## Bujía

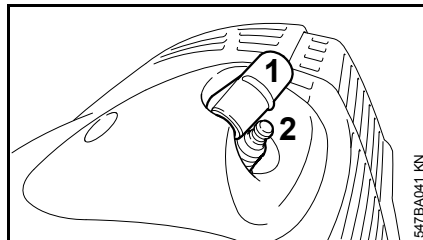
Si el motor pierde potencia, es difícil arrancarlo o funciona de modo irregular a marcha en vacío, revise la bujía primero.

Instale una bujía nueva después de aprox. 100 horas de funcionamiento, o más temprano si los electrodos están muy gastados/corroidos.

Si la mezcla del combustible es incorrecta (demasiado aceite en la gasolina), el filtro de aire está sucio, y las condiciones de trabajo no son favorables (especialmente a aceleraciones intermedias) se afecta la condición de la bujía. Estos factores permiten la formación de depósitos en la punta aislante, los cuales pueden perjudicar el rendimiento.

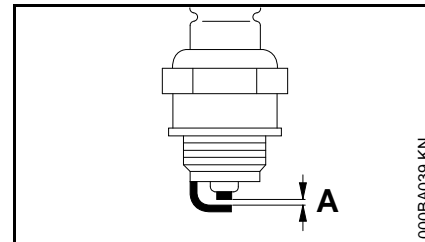
### Retiro de la bujía

- apague el motor.



- Quite el casquillo de la bujía (1).
- Destornille la bujía (2).

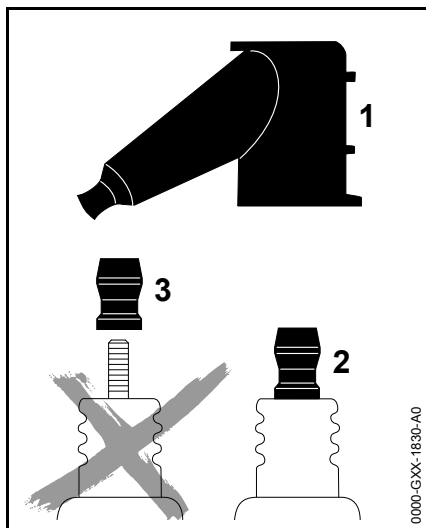
### Revisión de la bujía



- Limpie la bujía si está sucia.
- Revise la separación entre electrodos (A) y ajústela de ser necesario – vea "Especificaciones".
- Utilice únicamente bujías tipo resistencia cuyo margen de rendimiento sea el aprobado. Consulte el capítulo "Especificaciones" en este manual de instrucciones

Corrija los problemas que hayan causado la contaminación de la bujía:

- demasiado aceite en la mezcla de combustible;
- filtro de aire sucio; o
- condiciones desfavorables de funcionamiento, por ejemplo, funcionando a aceleración parcial.



### Instalación de la bujía

- Atornille la bujía en el cilindro.
- Presione el casquillo firmemente sobre la bujía

### Funcionamiento del motor

Si el funcionamiento del motor es insatisfactorio aunque el filtro de aire está limpio y el carburador ha sido debidamente ajustado, la causa puede hallarse en el silenciador.

Solicite al concesionario que revise si hay contaminación (coquización) en el silenciador.

STIHL recomienda que un concesionario STIHL autorizado efectúe los trabajos de mantenimiento y reparación.

### ! ADVERTENCIA

Para reducir el riesgo de incendio y de quemaduras, utilice solamente las bujías autorizadas por STIHL. Siempre inserte el casquillo de la bujía (1) bien apretado en el borne de la bujía (2).

No use una bujía con un borne adaptador SAE desmontable (3). Se puede crear un arco voltaico y encender los vapores del combustible, provocando un incendio. Esto podría causar lesiones personales graves o daños graves a la propiedad.

- Use únicamente bujías de tipo resistor con bornes sólidos, sin roscas.

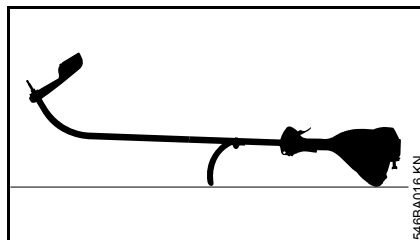
## Almacenamiento de la máquina

Para intervalos de 3 meses o más

- Vacíe y limpie el tanque de combustible en una zona bien ventilada.
- Deseche el combustible de acuerdo con los requerimientos locales de protección del medio ambiente.
- Haga funcionar el motor hasta que el carburador se seque. Esto ayuda a evitar que los diafragmas del carburador se peguen.
- Retire, limpie e inspeccione el accesorio de corte. Cubra los accesorios de corte metálicos con inhibidor de corrosión.
- Limpie la máquina a fondo - preste atención especial a las aletas del cilindro y al filtro de aire.
- Guarde la máquina en un lugar seco y bajo llave, fuera del alcance de los niños y de otras personas no autorizadas.

## Mantenimiento de la cabeza segadora

### Colocación de la herramienta motorizada en el suelo



- Apague el motor.
- Apoye la orilladora sobre su parte trasera con el mango tórico y la cubierta orientados hacia abajo y el eje de salida vuelto hacia arriba.

### Sustitución del hilo de nilón

Compruebe siempre si la cabeza segadora presenta signos de desgaste antes de sustituir el hilo de nilón.

#### **!** ADVERTENCIA

Si hay signos de desgaste severo, cambie la cabeza segadora completa.

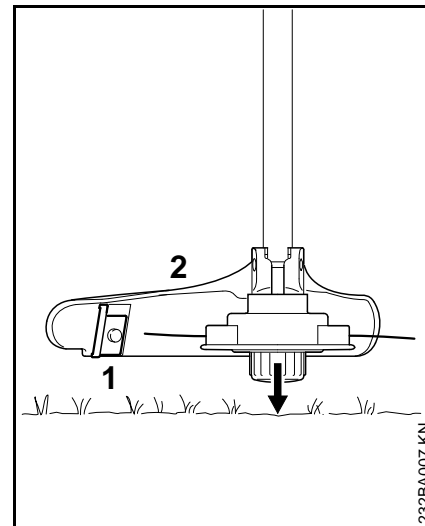
En las siguientes páginas, nos referiremos al hilo de segado como "hilo de nilón" o simplemente "hilo".

Con la cabeza segadora se adjuntan instrucciones ilustradas sobre la sustitución del hilo de nilón. Guarde las instrucciones de la cabeza segadora en un lugar seguro.

- Si fuera necesario, retire la cabeza segadora.

### Ajuste del hilo de nilón

#### STIHL AutoCut



- Mantenga la cabeza segadora a unos centímetros del suelo mientras está girando, golpéela contra el suelo una vez; avanzarán aproximadamente 3 cm (1,2 in) de hilo nuevo.
- La cuchilla (1) del deflector (2) corta el hilo sobrante a la longitud correcta. Evite golpear la cabeza contra el suelo más de una vez en cada ocasión.

El avance del hilo funciona solamente si los dos hilos aún tienen, como mínimo, una longitud de 2,5 cm (1 in).

Si el hilo mide menos de 2,5 cm (1 in):

## **!** ADVERTENCIA

Para reducir el riesgo de sufrir lesiones, apague siempre el motor antes de ajustar el hilo de nilón a mano.

- Voltee la máquina.
- Apriete hacia abajo la tapa del carrete, hasta el tope.
- Extraiga los extremos de los hilos del carrete.

Si el carrete está vacío, coloque nuevo hilo de nilón.

### Todas las demás cabezas segadoras

Consulte el folleto que se adjunta con la cabeza segadora.

## **!** ADVERTENCIA

Para reducir el riesgo de sufrir lesiones, apague siempre el motor antes de ajustar el hilo de nilón a mano.

### Sustitución del hilo de nilón

## STIHL DuroCut

## **!** ADVERTENCIA

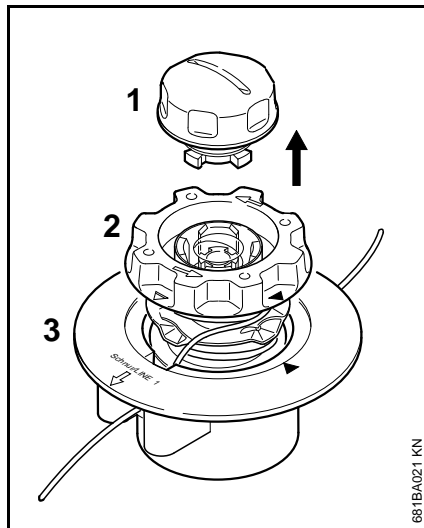
Para reducir el riesgo de sufrir lesiones, apague siempre el motor antes de cargar el hilo en la cabeza segadora.

- Coloque el hilo de nilón en la cabeza segadora tal como se describe en las instrucciones adjuntas.

## STIHL AutoCut C 5-2

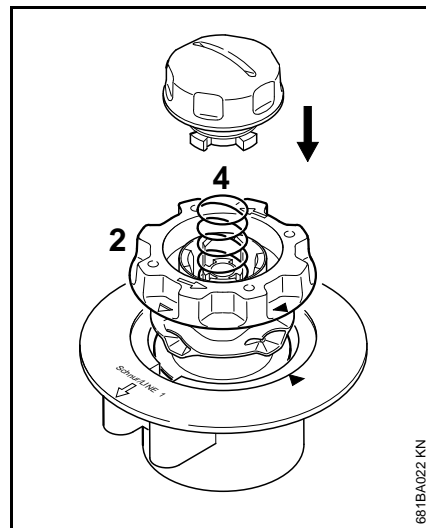
### Desarmado de la cabeza segadora y retirada del hilo de nilón restante

En el funcionamiento normal, se utiliza casi todo el hilo de nilón disponible en la cabeza segadora.



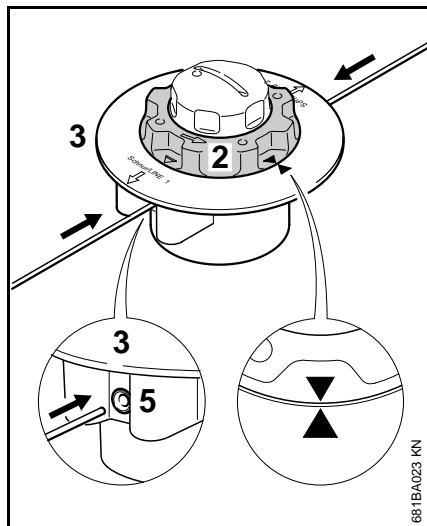
- Sujete con firmeza la cabeza segadora y gire la tapa (1) en sentido contrahorario hasta que la pueda retirar.
- Extraiga el carrete (2) de la cabeza segadora (3) y saque el hilo que quede.

### Armado de la cabeza segadora

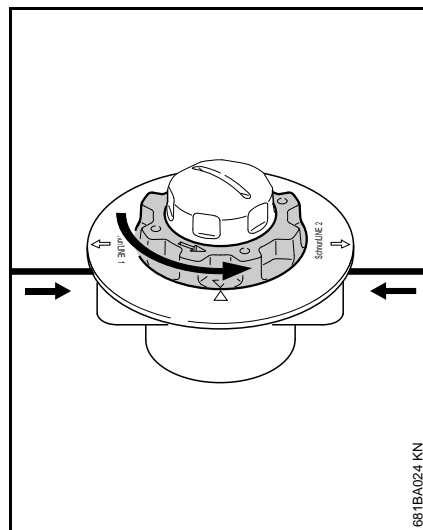


- Coloque el carrete vacío en la cabeza segadora.
- Si el resorte (4) se ha salido de su lugar:
- Métalo en el carrete (2) hasta que encaje en su posición con un chasquido audible.
  - Monte la cabeza segadora. Consulte el apartado "Montaje de la cabeza segadora".

## Enrollado del hilo en el carrete



- Use hilo de nilón con código verde de 2 mm (0,08 in) de diámetro.
- Corte dos trozos de hilo de nilón de 2 m (6 ft 6 in) de largo del carrete (accesorio especial).
- Gire el carrete (2) en sentido contrario a las agujas del reloj hasta que las dos puntas de flecha queden alineadas.
- Meta el extremo recto de cada hilo a través de los manguitos (5) de la cabeza segadora (3) hasta que note resistencia, y luego siga metiendo el hilo hasta que haga tope.

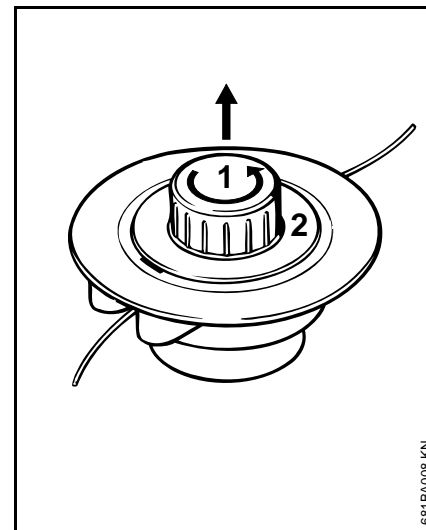


- Mantenga la cabeza segadora sujeta firmemente.
- Gire el carrete en sentido contrario a las agujas del reloj hasta que el hilo más corto mida aproximadamente 10 cm (4 in).
- Si fuera necesario, corte el hilo más largo a una longitud de aproximadamente 10 cm (4 in).

Ahora, la cabeza segadora está llena.

## STIHL AutoCut 5-2

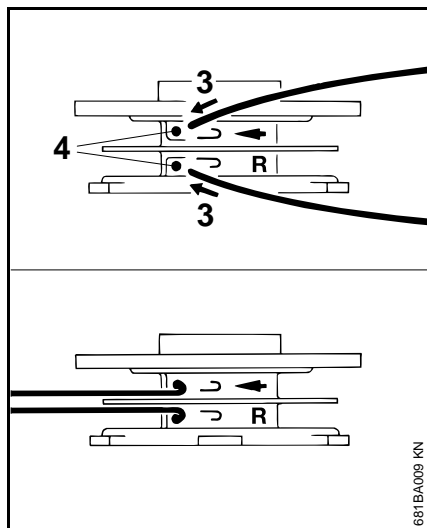
### Retiro del hilo de nilón restante



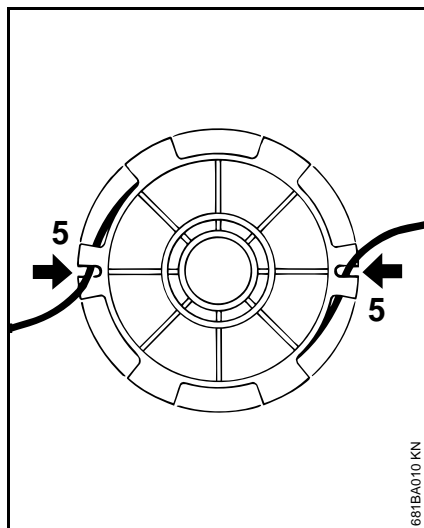
- Abra la cabeza segadora - sujétela bien firme con una mano y gire la tapa (1) en sentido contrario a las agujas del reloj.
- Desenganche el carrete (2), sáquelo de la cabeza segadora y retire el hilo de nilón restante.

### Enrollado del hilo en el carrete

Se puede usar un carrete preenrollado (accesorio especial) en vez del procedimiento siguiente.



- Use hilo de nilón codificado verde de 2,0 mm (0,08 pulg) de diámetro.
- Corte dos trozos de hilo de nilón de 3 m (9 pies 9 pulg) de largo del carrete (accesorio especial).
- Inserte el extremo de cada hilo (3) en los agujeros (4) del carrete.
- Doble los extremos de los hilos por encima del borde de los agujeros para formar un gancho.

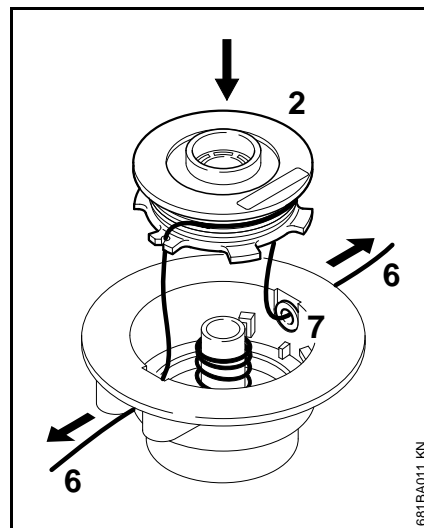


- Enderece los hilos de nilón y enróllelos bien apretados en el carrete - un hilo en cada cámara.
- Enganche los extremos de los hilos de nilón en las muescas (2).

#### Armado de la cabeza segadora

#### INDICACIÓN

Verifique que el resorte esté instalado (vea "Montaje de la cabeza segadora").



- Enhebre los extremos de los hilos (6) en los manguitos (7) e inserte el carrete (2) en la cabeza para que encaje en su lugar.

Los hilos de nilón deben desengancharse de las muescas (5) cuando se inserta el carrete en su lugar.

- Tire de los extremos de los hilos hasta que paren.
- Instale la cabeza segadora en la máquina.

#### Sustitución de cuchillas de corte

#### STIHL PolyCut

Revise siempre la cabeza segadora en busca de desgaste antes de instalar las cuchillas de corte nuevas.



**! ADVERTENCIA**

Si hay señales de desgaste serio, sustituya la cabeza segadora completa.

Las cuchillas de termoplástico se denominan "cuchillas" en el texto siguiente.

Se proveen instrucciones ilustradas para la sustitución de cuchillas en la cabeza segadora. Guarde las instrucciones de la cabeza segadora en un lugar seguro.

**! ADVERTENCIA**

Para reducir el riesgo de sufrir lesiones, siempre apague el motor antes de instalar las cuchillas.

- Retire la cabeza segadora.
- Sustituya las cuchillas de la manera mostrada en las instrucciones ilustradas.
- Instale la cabeza segadora en la máquina.

**Inspección y mantenimiento por el concesionario****Chispero del silenciador****! ADVERTENCIA**

Para reducir el riesgo de incendios provocados por partículas calientes que salen despedidas de la máquina, nunca utilice la máquina sin un chispero, o con un chispero dañado. No modifique el silenciador ni el chispero. Para reducir el riesgo de incendios provocados por la acumulación de desperdicios (p. ej., agujas de pino, ramas, hojas), asegúrese de que los tapones del silenciador están en su lugar antes de empezar a trabajar.

**INDICACIÓN**

De acuerdo con la ley o con los reglamentos de algunos países o estados federados, determinadas operaciones solo se pueden llevar a cabo si se cuenta con un chispero en buen estado.

- Si el motor tiene poca potencia, revise el chispero del silenciador.
- Si los tapones del silenciador faltan o están dañados, monte tapones nuevos.

STIHL recomienda que solamente los concesionarios STIHL autorizados efectúen los trabajos de mantenimiento y reparación.

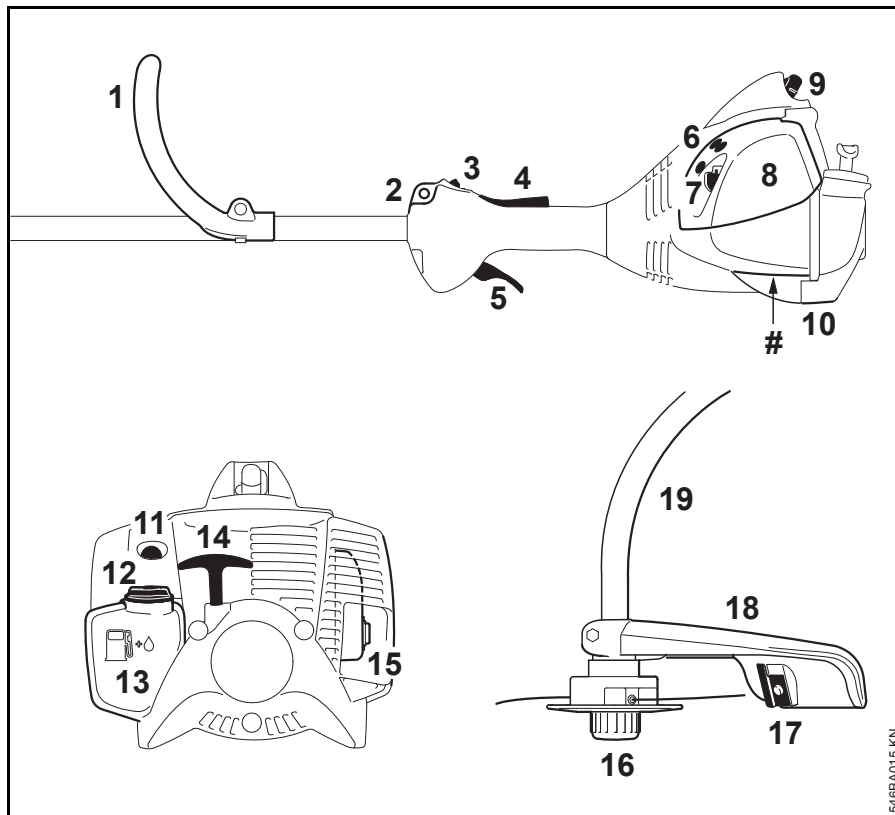
## Información para mantenimiento

| Los intervalos que se indican a continuación corresponden únicamente a condiciones normales de funcionamiento. Si la jornada diaria es más prolongada que lo normal, o bien si las condiciones son extremas (zonas con demasiado polvo, etc.), acorte apropiadamente los intervalos indicados. |  | antes de empezar a trabajar | después de completar el trabajo o diariamente | después de cada parada para cargar combustible | semanalmente | mensualmente | cada 12 meses | si hay problemas | si presenta daños | según se requiera |
|--|--|-----------------------------|---|--|--------------|--------------|---------------|------------------|-------------------|-------------------|
| Máquina completa   | Inspección visual (condición general, fugas)                                   | X                           |   | X  |              |              |               |                  |                   |                   |
|  | Limpiar  |                             | X   |  |              |              |               |                  |                   |                   |
| Mango de control   | Comprobar el funcionamiento  | X                           |   | X  |              |              |               |                  |                   |                   |
| Filtro de aire   | Limpiar  |                             |   |  |              |              |               | X                |                   | X                 |
|  | Reemplazar   |                             |   |  |              |              |               |                  | X                 |                   |
| Bomba de combustible manual (si la tiene)  | Revisar  | X                           |   |  |              |              |               |                  |                   |                   |
|  | Solicitar al concesionario de servicio su reparación <sup>1)</sup>             |                             |   |  |              |              |               |                  | X                 |                   |
| Recogedor en depósito de combustible   | Revisar  |                             |   |  |              |              |               | X                |                   |                   |
|  | Reemplazar   |                             |   |  |              | X            |               |                  | X                 | X                 |
| Depósito de combustible  | Limpiar  |                             |   |  |              |              |               | X                |                   | X                 |
| Carburador   | Comprobar el ajuste de marcha en vacío – el accesorio de corte no debe girar   | X                           |   | X  |              |              |               |                  |                   |                   |
|  | Ajustar la marcha en vacío   |                             |   |  |              |              |               |                  |                   | X                 |
| Bujía  | Ajustar la distancia entre electrodos  |                             |   |  |              |              |               | X                |                   |                   |
|  | Cambiar después de aprox. cada 100 horas de funcionamiento                     |                             |   |  |              |              |               |                  |                   |                   |
| Entradas de enfriamiento   | Inspección visual  |                             | X   |  |              |              |               |                  |                   |                   |
|  | Limpiar  |                             |   |  |              |              |               |                  |                   | X                 |
| Chispero en silenciador  | Solicitar al concesionario de servicio su revisión <sup>1)</sup>               |                             |   |  |              |              |               | X                |                   |                   |
|  | Solicitar al concesionario de servicio su limpieza o sustitución <sup>1)</sup> |                             |   |  |              |              |               |                  | X                 | X                 |
| Todos los tornillos y tuercas accesibles (salvo los tornillos de ajuste)   | Volver a apretar   |                             |   |  |              |              |               |                  |                   | X                 |

| Los intervalos que se indican a continuación corresponden únicamente a condiciones normales de funcionamiento. Si la jornada diaria es más prolongada que lo normal, o bien si las condiciones son extremas (zonas con demasiado polvo, etc.), acorte apropiadamente los intervalos indicados. |                    | antes de empezar a trabajar | después de completar el trabajo o diariamente | después de cada parada para cargar combustible | semanalmente | mensualmente | cada 12 meses | si hay problemas | si presenta daños | según se requiera |
|--|--------------------|-----------------------------|---|--|--------------|--------------|---------------|------------------|-------------------|-------------------|
| Accesorio de corte   | Inspección visual  | X                           |   | X  |              |              |               |                  |                   |                   |
|  | Reemplazar         |                             |   |  |              |              |               |                  | X                 |                   |
|  | Revisar el apriete | X                           |   | X  |              |              |               |                  |                   |                   |
| Etiquetas de seguridad   | Reemplazar         |                             |   |  |              |              |               |                  | X                 |                   |

<sup>1)</sup> STIHL recomienda acudir a un concesionario de servicio STIHL autorizado.

## Componentes importantes



- 1 Mango circular
- 2 Argolla de transporte
- 3 Interruptor de parada
- 4 Bloqueo del gatillo de aceleración
- 5 Gatillo de aceleración
- 6 Tornillos de ajuste del carburador
- 7 Palanca del estrangulador
- 8 Tapa del filtro de aire
- 9 Casquillo de bujía
- 10 Apoyo de la máquina
- 11 Bomba de combustible manual
- 12 Tapa de llenado de combustible
- 13 Tanque de combustible
- 14 Mango de arranque
- 15 Silenciador con chispero
- 16 Cabeza segadora
- 17 Cuchilla limitadora del hilo
- 18 Deflector
- 19 Tubo de mando
- # Número de serie

546BA015 KN

## Definiciones

---

- 1 Mango circular**  
Para facilitar el control de la máquina durante el proceso de corte.
- 2 Argolla de transporte**  
Conecta la unidad al arnés.
- 3 Interruptor de parada**  
Apaga el sistema de encendido del motor y detiene el motor.
- 4 Bloqueo del gatillo de aceleración**  
Se debe apretar para poder activar el gatillo de aceleración.
- 5 Gatillo de aceleración**  
Controla la velocidad del motor.
- 6 Tornillos de ajuste del carburador**  
Para ajustar el carburador.
- 7 Palanca del estrangulador**  
Enriquece la mezcla para facilitar el arranque del motor.
- 8 Tapa del filtro de aire**  
Cubre y protege el elemento del filtro de aire.
- 9 Casquillo de bujía**  
Conecta la bujía al cable de encendido.
- 10 Apoyo de la máquina**  
Para apoyar la máquina en el suelo.
- 11 Bomba de combustible manual**  
Suministra combustible adicional para el arranque en frío.
- 12 Tapa de llenado de combustible**  
Para tapar el tanque de combustible.

- 13 Tanque de combustible**  
Contiene la mezcla de combustible y aceite.
- 14 Mango de arranque**  
El mango del arrancador, que se usa para arrancar el motor.
- 15 Silenciador con chispero**  
El silenciador reduce los ruidos del tubo de escape y desvía los gases de escape lejos del operador. El chispero está diseñado para reducir el riesgo de incendio.
- 16 Cabeza segadora**  
El accesorio de corte, esto es, la cabeza segadora, se usa para diferentes propósitos.
- 17 Cuchilla limitadora del hilo**  
Cuchilla metálica del deflector que mantiene el hilo de la cabeza segadora a la longitud adecuada.
- 18 Deflector**  
Diseñado para reducir el riesgo de lesiones causadas por objetos extraños que el accesorio de corte lanza hacia el operador, así como por contacto con el accesorio de corte.
- 19 Tubo de mando**  
Encierra y protege el eje impulsor entre el motor y la carcasa del cojinete.

## Especificaciones

### EPA / CEPA

---

El período de cumplimiento de emisiones indicado en la etiqueta de cumplimiento de emisiones es la cantidad de horas de funcionamiento para la cual la máquina ha demostrado la conformidad con los requerimientos de emisiones del Gobierno federal de los EE.UU.

Categoría

A = 300 horas

B = 125 horas

C = 50 horas

### CARB

---

El período de cumplimiento de emisiones empleado en la etiqueta del índice de aire CARB tiene las siguientes definiciones:

Extended = 300 horas

Intermediate = 125 horas

Moderate = 50 horas

### Motor

---

Motor de un cilindro, dos tiempos

## FS 40, FS 40 C

|  |                                  |
|--|----------------------------------|
| Cilindrada:  | 27,2 cc (1,66<br>pulg cúb.)      |
| Diámetro:  | 34 mm<br>(1,34 pulg)             |
| Carrera:   | 30 mm<br>(1,18 pulg)             |
| Potencia del motor<br>según ISO 8893:                      | 0,7 kW (0,9 hp)<br>a 8.500 r/min |
| Marcha en vacío:   | 2800 r/min                       |
| Velocidad de corte<br>(nominal):                           | 10.000 r/min                     |
| Velocidad máx. de eje<br>de salida (accesorio<br>de corte) | 10.600 r/min                     |

## FS 50, FS 50 C

|  |                                  |
|--|----------------------------------|
| Cilindrada:  | 27,2 cc (1,66<br>pulg cúb.)      |
| Diámetro:  | 34 mm<br>(1,34 pulg)             |
| Carrera:   | 30 mm<br>(1,18 pulg)             |
| Potencia del motor<br>según ISO 8893:                      | 0,8 kW (1,1 hp)<br>a 8.500 r/min |
| Marcha en vacío:   | 2800 r/min                       |
| Velocidad de corte<br>(nominal):                           | 10.000 r/min                     |
| Velocidad máx. de eje<br>de salida (accesorio<br>de corte) | 10.600 r/min                     |

### Sistema de encendido

Encendido por magneto electrónico

|                                |                       |
|--------------------------------|-----------------------|
| Bujía (tipo<br>resistencia):   | NGK CMR 6 H           |
| Distancia entre<br>electrodos: | 0,5 mm<br>(0,02 pulg) |

### Sistema de combustible

Carburador de diafragma de todas  
posiciones con bomba de combustible  
integral

Capacidad del depó- 0,34 l (11,5 oz.  
sito de combustible: fl.)

### Peso

Seco, sin accesorio de corte y deflector

### Versión estándar

|                      |                 |
|----------------------|-----------------|
| FS 40:               | 4,4 kg (9,7 lb) |
| FS 50:               | 4,4 kg (9,7 lb) |
| FS 50: con eje largo | 4,5 kg (9,9 lb) |

### Versiones con Easy2Start

|                        |                     |
|------------------------|---------------------|
| FS 40 C:               | 4,5 kg (9,9 lb)     |
| FS 50 C:               | 4,5 kg (9,9 lb)     |
| FS 50 C: con eje largo | 4,6 kg<br>(10,1 lb) |


### Largo total

sin accesorio de corte

|                |           |
|----------------|-----------|
| FS 40,         | 1450 mm   |
| FS 40 C:       | (57 pulg) |
| FS 50,         | 1450 mm   |
| FS 50 C:       | (57 pulg) |
| FS 50, con eje | 1650 mm   |
| FS 50 C: largo | (65 pulg) |

## Información de reparación

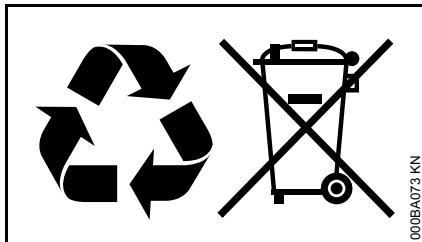
Los usuarios de esta máquina deben  
efectuar únicamente los trabajos de  
mantenimiento descritos en este  
manual. STIHL recomienda que un  
concesionario de servicio STIHL efectúe  
los demás trabajos de reparación  
utilizando piezas de repuesto genuinas  
de STIHL.

Es posible identificar las piezas  
originales de STIHL por el número de  
pieza STIHL, el logotipo de **STIHL** y,  
en ciertos casos, el símbolo  de  
piezas STIHL. En las piezas pequeñas  
el símbolo puede aparecer solo.

**Para reparar algún componente del  
sistema de control de emisiones de aire,  
consulte la garantía de sistemas de  
emisiones dada en este manual.**

## Desecho

Respete todas las leyes y los reglamentos sobre eliminación de desechos que correspondan a su país.



No se debe botar los aparatos STIHL en el basurero. Lleve el producto, los accesorios y el embalaje a un vertedero autorizado para reciclarlos y contribuir al cuidado del medio ambiente.

Comuníquese con un concesionario de servicio de STIHL para obtener la información más actualizada sobre la eliminación de desechos.

## Garantía limitada

### Política de garantía limitada de STIHL Incorporated para piezas y componentes no relacionados con las emisiones

Este producto se vende sujeto a la Política de garantía limitada de STIHL Incorporated, disponible en

[www.stihlusa.com/warranty.html](http://www.stihlusa.com/warranty.html).

También puede obtenerlo de un concesionario de servicio STIHL autorizado o llamando al 1-800-GO-STIHL (1-800-467-8445).

Se proporciona una garantía aparte para el sistema de control de emisiones y para los componentes relacionados con el sistema de emisiones.

## Declaración de garantía de STIHL Incorporated sobre sistemas de control de emisiones según normas Federales

### No para California

#### Sus derechos y obligaciones de garantía

La Agencia de Protección del Medio Ambiente (EPA) de los EE.UU. y STIHL Incorporated se complacen en explicarle la garantía del sistema de control de emisiones instalado en el motor de su equipo. En los EE.UU., los nuevos motores pequeños para equipos de uso fuera de carretera modelos 1997 y posteriores deben estar diseñados, construidos y equipados, al tiempo de la venta, de conformidad con los reglamentos de la EPA de los EE.UU. para los motores pequeños de uso fuera de carretera. El motor del equipo debe carecer de defectos en el material y la fabricación que puedan causar el incumplimiento de las normas de la EPA de los EE.UU. durante los primeros dos años de uso del motor a partir de la fecha de compra por el último comprador.

STIHL Incorporated debe garantizar el sistema de control de emisiones en el motor pequeño para uso fuera de carretera por el intervalo mencionado más arriba, siempre que dicho motor no haya estado sujeto a maltrato, negligencia o cuidado inapropiado.

El sistema de control de emisiones de su máquina incluye piezas tales como el carburador y el sistema de encendido. Además puede incluir mangueras, conectores y otros conjuntos relativos a emisiones.

En los casos de existir una condición amparada bajo garantía, STIHL Incorporated reparará el motor pequeño para equipo de uso fuera de carretera sin costo alguno, incluido el diagnóstico (si el trabajo de diagnóstico fue realizado por un concesionario autorizado), las piezas y la mano de obra.

### **Cobertura de garantía del fabricante**

En los EE.UU., los motores pequeños para equipos de uso fuera de carretera modelos 1997 y posteriores también están garantizados por dos años. En el caso de encontrarse defectos en cualquiera de las piezas del motor relacionadas con el sistema de control de emisiones, la pieza será reparada o sustituida por STIHL Incorporated sin costo alguno.

### **Responsabilidades del propietario relativas a la garantía**

Como propietario de motor pequeño para equipo de uso fuera de carretera, usted tiene la responsabilidad de realizar el mantenimiento requerido descrito en su manual de instrucciones. STIHL Incorporated le recomienda guardar todos los recibos comprobantes de los trabajos de mantenimiento hechos a su motor pequeño para equipo de uso fuera de carretera, pero STIHL Incorporated no puede negar garantía basado en el solo hecho de faltar los

recibos o del incumplimiento del propietario de realizar todos los trabajos de mantenimiento programados.

El uso de cualquier pieza de repuesto o servicio cuyo comportamiento y durabilidad sean equivalentes está permitido en trabajos de mantenimiento o reparación no contemplados en la garantía, y no reducirá las obligaciones de la garantía del fabricante del motor.

Sin embargo, como propietario del motor pequeño para equipo de uso fuera de carretera usted debe ser consciente de que STIHL Incorporated puede negarle cobertura de garantía si dicho motor o una pieza del mismo ha fallado debido a maltrato, descuido, mantenimiento inadecuado o modificaciones no autorizadas.

Usted es responsable de llevar el motor pequeño para equipo de uso fuera de carretera a un centro de servicio STIHL tan pronto surja el problema. Las reparaciones bajo garantía serán realizadas en un tiempo razonable, sin exceder de 30 días.

Ante cualquier duda respecto a sus derechos y responsabilidades bajo esta garantía, sírvase contactar al representante de atención al cliente STIHL llamando al 1-800-467-8445, o si lo prefiere puede escribir a

STIHL Inc.,  
536 Viking Drive, P.O. Box 2015,  
Virginia Beach, VA 23450-2015 EE.UU.  
[www.stihlusa.com](http://www.stihlusa.com)

### **Cobertura por STIHL Incorporated**

STIHL Incorporated garantiza al último comprador y a cada comprador subsiguiente que el motor pequeño para

equipo de uso fuera de carretera está diseñado, construido y equipado, al tiempo de la venta, de conformidad con todos los reglamentos acerca de emisiones aplicables. Además, STIHL Incorporated garantiza al comprador inicial y a cada comprador subsiguiente que el motor está libre de defectos en el material y fabricación que puedan causar el incumplimiento de los reglamentos acerca de emisiones aplicables durante un período de dos años.

### **Período de garantía**

El período de garantía comenzará el día en que el motor de equipo utilitario es comprado por el comprador inicial. Se recomienda el registro de producto, por lo que STIHL tiene un medio para ponerse en contacto con usted si alguna vez hay una necesidad de comunicar información sobre la reparación o el retiro acerca de su producto, pero no es necesaria con el fin de obtener el servicio de garantía.

Si cualquier componente relacionado con el sistema de control de emisiones está defectuoso, el mismo será sustituido por STIHL Incorporated sin costo alguno para el propietario. Cualquier pieza garantizada cuyo reemplazo no está programado como mantenimiento requerido, o que debe recibir únicamente inspección regular en el sentido de "reparar o sustituir según sea necesario", estará garantizada por el período de garantía. Cualquier pieza cuyo reemplazo está programado como mantenimiento requerido estará garantizada por el intervalo hasta el primer punto de reemplazo programado para esa pieza.



## Diagnóstico

Como propietario, a usted no se le debe cobrar la mano de obra por los diagnósticos que determinen que una pieza de control de emisiones garantizada está defectuosa. No obstante, si usted reclama garantía para un componente de control de emisiones y se comprueba que la máquina no está defectuosa, STIHL Incorporated le cobrará el costo de la prueba del sistema de control de emisiones. El trabajo de diagnóstico mecánico se realiza en un centro de servicio autorizado por STIHL. La prueba del sistema de control de emisiones se realiza ya sea en la fábrica de STIHL Incorporated o en un laboratorio de ensayos independiente.

## Trabajo bajo garantía

STIHL Incorporated reparará los defectos amparados por la garantía en cualquier estación de garantía o centro de servicio autorizado por STIHL. Todo trabajo de este tipo se hará gratis para el propietario siempre que se determine que un componente relacionado con el sistema de control de emisiones cubierto por la garantía está defectuoso.

Se puede usar cualquier pieza de repuesto aprobada por el fabricante o equivalente para el mantenimiento o la reparación de los componentes relacionados con el sistema de control de emisiones, y la misma debe ser suministrada gratis al propietario. STIHL Incorporated es responsable por daños a otros componentes del motor causados por la falla de una pieza garantizada que todavía está bajo garantía.

La lista siguiente define específicamente las piezas garantizadas y relacionadas con las emisiones:

- Filtro de aire
- Carburador (si corresponde)
- Bomba de combustible
- Estrangulador (sistema de enriquecimiento de arranque en frío) (si corresponde)
- Varillajes de control
- Múltiple de admisión
- Sistema de encendido por magneto o electrónico (Módulo de encendido o unidad de control electrónica)
- Volante
- Bujía
- Válvula de solenoide (si corresponde)
- Válvula de inyección (si corresponde)
- Bomba de inyección (si corresponde)
- Carcasa del acelerador (si corresponde)
- Cilindro
- Silenciador
- Convertidor catalítico (si lo tiene)
- Tanque de combustible
- Tapa de tanque de combustible
- Línea de combustible
- Adaptadores de línea de combustible

- Abrazaderas
- Sujetadores

## Dónde presentar el reclamo para servicio bajo garantía

Lleve el producto a un centro de servicio de STIHL en su localidad.

## Requerimientos de mantenimiento

Las instrucciones presentadas en este manual se basan en la aplicación de la mezcla recomendada para motores de 2 tiempos (vea también la instrucción "Combustible"). Las discrepancias de estas recomendaciones con respecto a la calidad y la proporción de la mezcla de combustible y aceite pueden exigir intervalos de mantenimiento más cortos.

## Limitaciones

Esta garantía de los sistemas de control de emisiones no cubrirá ninguno de los puntos siguientes:

- reparación o sustitución requerida debido a maltrato, negligencia o falta del mantenimiento requerido,
- reparaciones mal hechas o sustituciones contrarias a las especificaciones de STIHL Incorporated que afecten desfavorablemente el funcionamiento y/o la durabilidad, y las alteraciones o modificaciones no recomendadas o aprobadas por escrito por STIHL Incorporated,

y

- la sustitución de piezas y otros servicios y ajustes necesarios para el mantenimiento requerido en y después del primer punto de reemplazo programado.

## **Declaración de garantía de STIHL Incorporated sobre el control de emisiones de gases de escape y emisiones por evaporación para el Estado de California**

### **Solo para California**

---

#### **Sus derechos y obligaciones de garantía**

El Consejo de Recursos del Aire del Estado de California (CARB) y STIHL Incorporated se complacen en explicarle la Garantía del sistema de control de emisiones instalado en el motor de su equipo de uso fuera de carretera para el año 2021 y posteriores.

En California, el equipo nuevo que tiene motores pequeños para uso fuera de carretera debe estar diseñado, construido y equipado de conformidad con las rigurosas normas del estado para reducir la contaminación del aire. STIHL Incorporated debe garantizar el sistema de control de emisiones de su motor pequeño para uso fuera de carretera por los intervalos mencionados más adelante, siempre que dicho motor o equipo no haya estado expuesto a maltrato, negligencia o cuidado inapropiado que causara la falla del sistema de control de emisiones.

El sistema de control de emisiones puede incluir componentes tales como el carburador o el sistema de inyección de combustible, el sistema de encendido, el convertidor catalítico, los tanques y tuberías de combustible (para

combustible líquido o en vapor), tapas de combustible, válvulas, envases, filtros, abrazaderas y otros componentes relacionados. Además, puede incluir mangueras, correas, conectores y otros grupos asociados con el control de emisiones.

En los casos en que exista una condición amparada por la garantía, STIHL Incorporated reparará su motor pequeño para equipo de uso fuera de carretera sin costo alguno, incluido el diagnóstico, las piezas y la mano de obra.

#### **Responsabilidades del fabricante en relación con la garantía**

El sistema de control de gases de escape y de evaporaciones del motor de su equipo para uso fuera de carretera tiene una garantía de dos años. Si alguno de los componentes de su motor relacionados con el sistema de control de emisiones está defectuoso, será reparado o sustituido por STIHL Incorporated sin costo alguno.

#### **Responsabilidades del propietario en relación con la garantía**

Como propietario de un motor pequeño para equipos de uso fuera de carretera, usted tiene la responsabilidad de realizar el mantenimiento necesario que figura en su manual de instrucciones. STIHL Incorporated le recomienda que guarde todos los recibos de los trabajos de mantenimiento que se hagan en su motor pequeño para equipos de uso fuera de carretera, pero STIHL Incorporated no puede negar la garantía basándose únicamente en el hecho de que faltan los recibos o de que el

propietario no se ha asegurado de que se lleven a cabo todas las tareas de mantenimiento programadas.

Sin embargo, como propietario del motor pequeño para equipos de uso fuera de carretera, usted debe ser consciente de que STIHL Incorporated puede negarle la garantía si el motor o uno de sus componentes han fallado debido a maltrato, a un descuido, a un mantenimiento inadecuado o a modificaciones no autorizadas.

Usted tiene la responsabilidad de llevar el motor pequeño para equipos de uso fuera de carretera a un concesionario de servicio de STIHL en cuanto surja el problema. Las reparaciones cubiertas por la garantía deben realizarse en un tiempo razonable, de no más de 30 días. Si tiene cualquier duda sobre sus derechos y sus responsabilidades en relación con la garantía, póngase en contacto con un representante del servicio de atención al cliente de STIHL llamando al 1-800-467-8445, o si lo prefiere, escriba a

STIHL Inc., 536 Viking Drive,  
P.O. Box 2015,  
Virginia Beach, VA 23450-2015.

www.stihlusa.com

### **Cobertura por parte de STIHL Incorporated**

STIHL Incorporated garantiza al último comprador y a cualquier comprador subsiguiente que su motor pequeño para equipos de uso fuera de carretera está diseñado, construido y equipado, en el momento de la venta, de modo que cumplen todos los reglamentos sobre emisiones aplicables.

Además, STIHL Incorporated garantiza al comprador inicial y a cualquier comprador subsiguiente que el motor está libre de defectos de fabricación y fallos en los materiales que puedan causar el incumplimiento de los reglamentos sobre emisiones aplicables durante un período de dos años.

### **Periodo de garantía contra defectos**

Los períodos de garantía comenzarán el día en que el comprador inicial adquiera el motor del equipo utilitario. Si cualquier componente relacionado con el sistema de control de emisiones está defectuoso, STIHL Incorporated lo sustituirá sin costo alguno para el propietario.

No se permite usar componentes adicionales o modificados que no hayan sido eximidos por el Consejo de Recursos del Aire (CARB). El uso de cualquier componente adicional o modificado no eximido será motivo de denegación de la garantía. STIHL Incorporated no asumirá responsabilidad alguna por fallas en los componentes cubiertos por la garantía causadas por el uso de un componente adicional o modificado no eximido.

La garantía que cubre los componentes relacionados con las emisiones se interpretará de la manera siguiente:

1. Cualquier componente garantizado cuyo reemplazo no está programado como mantenimiento requerido en las instrucciones escritas requeridas en la Lista de Piezas bajo la Garantía de Control de Emisiones (vea más abajo) debe garantizarse por el período de garantía definido en la subsección

COBERTURA POR STIHL INCORPORATED, vea más arriba. Si uno de estos componentes falla durante el período de garantía, el fabricante debe repararlo o sustituirlo de acuerdo con la subsección (4), más abajo. Un componente reparado o sustituido bajo la garantía debe garantizarse durante el resto del período de garantía.

2. Cualquier componente garantizado que solamente debe inspeccionarse periódicamente de acuerdo con las instrucciones escritas requeridas en la Lista de Piezas bajo la Garantía de Control de Emisiones (vea más abajo) debe garantizarse por el período de garantía definido en la subsección COBERTURA POR STIHL INCORPORATED, vea más arriba. Una frase de las instrucciones por escrito en la que se afirme, por ejemplo, "reparar o sustituir según sea necesario" no acortará el período de cobertura de garantía. Cualquier componente de este tipo reparado o sustituido bajo la garantía debe garantizarse por el resto del período de garantía.
3. Cualquier componente cubierto por la garantía para el que esté programada una tarea necesaria de mantenimiento en las instrucciones por escrito requeridas por la lista de piezas bajo la garantía de control de emisiones (vea más abajo) debe garantizarse por el período de tiempo anterior al primer punto de sustitución programado para este componente. Si el componente falla antes del momento programado

para sustituirlo por primera vez, el fabricante del motor debe reparar o sustituir dicho componente de acuerdo con la subsección (4), más abajo. Cualquier componente de este tipo reparado o sustituido bajo la garantía debe garantizarse por el resto del período previo al primer punto de sustitución programado para el componente.

4. La reparación o sustitución de cualquier componente cubierto por la garantía debe llevarse a cabo en una estación de reparaciones de garantía sin costo alguno para el propietario.
5. No obstante lo expuesto en la subsección (4) más arriba, los servicios o las reparaciones bajo garantía pueden obtenerse en todos los centros de distribución del fabricante autorizados para dar servicio a los motores en cuestión.
6. Al propietario no se le debe cobrar el trabajo de diagnóstico que establece que el componente garantizado está realmente defectuoso, siempre y cuando este trabajo de diagnóstico se lleve a cabo en una estación de reparaciones bajo garantía.

### **Trabajo bajo garantía**

STIHL Incorporated reparará los defectos amparados por la garantía en cualquier estación de garantía o concesionario de servicio de STIHL autorizado. Cualquier trabajo de este tipo se llevará a cabo sin costo alguno para el propietario si se determina que la pieza cubierta por la garantía está defectuosa. Se puede usar cualquier

pieza de repuesto aprobada por el fabricante o equivalente para llevar a cabo las tareas de mantenimiento o reparación cubiertas por la garantía en los componentes relacionados con el sistema de control de emisiones. La pieza de repuesto se facilitará al propietario sin costo alguno. STIHL Incorporated es responsable de los daños que sufran otros componentes del motor por la ausencia de una pieza cubierta por la garantía que todavía está bajo garantía.

### **Lista de piezas bajo la garantía de emisiones**

Filtro de aire, carburador (si corresponde), bomba de combustible, estrangulador (sistema de enriquecimiento para arranque en frío), si corresponde, varillajes de control, múltiple de admisión, sistema de encendido por magneto o electrónico (módulo de encendido o unidad de control electrónica), volante, bujía, válvula de solenoide (si corresponde), válvula de inyección (si corresponde), bomba de inyección (si corresponde), carcasa del acelerador (si corresponde), cilindro, silenciador, convertidor catalítico (si corresponde), tanque de combustible, tapa de combustible, tubería de combustible, adaptadores de tubería de combustible (para combustible líquido o en vapor), abrazaderas, fijaciones.

### **Dónde reclamar el servicio de garantía**

Lleve el producto STIHL a cualquier concesionario de servicio de STIHL autorizado.

### **Limitaciones**

La reparación o la sustitución de cualquier componente garantizado y normalmente abarcado por la garantía se puede excluir de la garantía si STIHL Incorporated demuestra el maltrato, negligencia o mantenimiento incorrecto del producto de STIHL, y que tal maltrato, negligencia, o mantenimiento incorrecto ha sido la causa directa de la necesidad de reparación o sustitución del componente. A pesar de lo anterior, cualquier ajuste de un componente que tenga un dispositivo limitador instalado de fábrica y funcione correctamente no perjudicará la cobertura bajo garantía.

## Marcas comerciales

### Marcas registradas de STIHL

STIHL®

**STIHL®**



La combinación de colores anaranjado-gris (Números de registro EE.UU. 2,821,860; 3,010,057, 3,010,058, 3,400,477; y 3,400,476)



AutoCut®

FARM BOSS®

iCademy®

MAGNUM®

MasterWrench Service®

MotoMix®

OILOMATIC®

ROCK BOSS®

STIHL Cutquik®

STIHL DUROMATIC®

STIHL Quickstop®

STIHL ROLLOMATIC®

STIHL WOOD BOSS®

TIMBERSPORTS®

WOOD BOSS®

YARD BOSS®

### Algunos de las marcas comerciales de STIHL por ley común



4-MIX™

BioPlus™

Easy2Start™

EasySpool™

ElastoStart™

Ematic™

FixCut™

IntelliCarb™

Master Control Lever™

Micro™

Pro Mark™

Quiet Line™

STIHL M-Tronic™

STIHL OUTFITTERS™

STIHL PICCO™

STIHL PolyCut™

STIHL PowerSweep™

STIHL Precision Series™

STIHL RAPID™

STIHL SuperCut™

TapAction™

TrimCut™

Esta lista de marcas comerciales está sujeta a cambios.

Queda terminantemente prohibido todo uso de estas marcas comerciales sin el consentimiento expreso por escrito de ANDREAS STIHL AG & Co. KG, Waiblingen.





 **WARNING**

This product contains chemicals known to the State of California to cause cancer, birth defects or other reproductive harm.

 **ADVERTENCIA**

Este producto contiene sustancias químicas consideradas por el Estado de California como causantes de cáncer, defectos de nacimiento u otra toxicidad reproductora.

 **WARNING**

The engine exhaust from this product contains chemicals known to the State of California to cause cancer, birth defects or other reproductive harm.

 **ADVERTENCIA**

El gas de escape del motor de esta máquina contiene productos químicos que en el estado de California son considerados como causantes de cáncer, defectos de nacimiento u otros efectos nocivos para los órganos de la reproducción.

0458-546-8621-D

englisch / spanisch USA



[www.stihl.com](http://www.stihl.com)



0458-546-8621-D