

STIHL

STIHL FCA 140

Instruction Manual
Manual de instrucciones



 **WARNING**

Read Instruction Manual thoroughly before use and follow all safety precautions – improper use can cause serious or fatal injury.

 **ADVERTENCIA**

Antes de usar la máquina lea y siga todas las precauciones de seguridad dadas en el manual de instrucciones – el uso incorrecto puede causar lesiones graves o mortales.



Instruction Manual

1 - 42

Manual de instrucciones

43 - 87

Contents

1	Introduction	2	12	Assembling the Edger	22
2	Guide to Using this Manual	3	12.1	Mounting the Loop Handle	22
2.1	Signal Words	3	12.2	Mounting the Gearbox	22
2.2	Symbols in Text	3	12.3	Mounting the Edger Blade	23
3	Main Parts	3	13	Adjusting the Edger	24
3.1	Edger and Battery	3	13.1	Adjusting the Loop Handle	24
4	Safety Symbols on the Products	4	14	Inserting and Removing the Battery	24
4.1	Edger	4	14.1	Inserting the Battery	24
4.2	Battery	5	14.2	Removing the Battery	25
5	IMPORTANT SAFETY INSTRUCTIONS	6	15	Switching the Edger On and Off	25
5.1	General Safety Warnings and Instructions	6	15.1	Switching On	25
5.2	Introduction	6	15.2	Switching Off	26
5.3	Intended Use	7	16	Checking the Power Tool	26
5.4	Operator	7	16.1	Testing the Controls	26
5.5	Personal Protective Equipment	8	17	During Operation	27
5.6	Edger	8	17.1	Adjusting the Cutting Depth	27
5.7	Using the Edger	9	17.2	Using the Edger	28
6	Maintenance, Repair and Storage	14	18	After Finishing Work	28
6.1	Warnings and Instructions	14	18.1	Preparing for Transportation or Storage	28
7	Battery Safety	15	19	Transporting the Edger and Battery	28
7.1	Warnings and Instructions	15	19.1	Edger	28
8	Before Starting Work	17	19.2	Battery	29
8.1	Preparing the Edger for Operation	17	20	Storing the Edger and Battery	29
9	Charging the Battery	17	20.1	Edger	29
9.1	Setting up the Charger	17	20.2	Battery	30
9.2	Charging	17	21	Cleaning	30
10	LED Diagnostics and Acoustic Signals	19	21.1	Cleaning the Edger and Battery	30
10.1	STIHL AP Battery	19	21.2	Cleaning the Air Filter	30
10.2	STIHL AR Backpack Battery	19	22	Inspection and Maintenance	32
11	STIHL AR Backpack Battery	20	22.1	Inspection and Maintenance Chart	32
11.1	Positioning the Connecting Cord	20	22.2	Inspecting and Maintaining the Edger	32
11.2	Putting on the Harness	21	22.3	Inspecting and Maintaining the Edger Blade	32

STIHL

This instruction manual is protected by copyright. All rights reserved, especially the rights to reproduce, translate and process with electronic systems.

22.4 Inspecting and Maintaining the Wear Guard	33
23 Troubleshooting Guide	34
23.1 Edger and Battery	34
24 Specifications	36
24.1 STIHL FCA 140	36
24.2 Authorized Edger Blades	36
24.3 Symbols on the Power Tool, Deflector and Battery	36
24.4 Engineering Improvements	36
24.5 FCC 15 Compliance Statement	37
25 Approved Harness Combinations	38
25.1 Harness Combinations	38
26 Replacement Parts and Equipment	38
26.1 Genuine STIHL Replacement Parts	38
27 Disposal	38
27.1 Disposal of the Power Tool	38
27.2 Battery Recycling	38
28 Limited Warranty	39
28.1 STIHL Incorporated Limited Warranty Policy	39
28.2 STIHL Incorporated CALIFORNIA ZERO EMISSIONS CONTROL WARRANTY STATEMENT	39
29 Trademarks	41
29.1 Registered Trademarks	41
29.2 Common Law Trademarks	41
30 Addresses	42
30.1 STIHL Incorporated	42

1 Introduction

Thank you for your purchase. The information contained in this manual will help you receive maximum performance and satisfaction from your edger and, if followed, reduce the risk of injury from its use.

SAVE THIS MANUAL!



Because an edger is a high-speed cutting tool, special safety precautions must be observed to reduce the risk of personal injury.



Read this instruction manual thoroughly before use and periodically thereafter. Follow all safety precautions. Careless or improper use can cause serious or fatal injury.

Have your authorized STIHL servicing dealer show you how to operate your power tool.

Do not lend or rent the power tool without this instruction manual. Allow only persons who fully understand the information in this manual to operate the edger.

For further information, or if you do not understand any of the instructions in this manual, please go to www.stihlusa.com or contact your authorized STIHL servicing dealer.

WARNING

To reduce the risk of personal injury, never remove or modify the deflector or skirt. Keep the deflector and skirt attached and in place at all times. Use only edger blades that are specifically authorized by STIHL for use with this power tool. Always wear proper protective apparel and eye protection. Keep bystanders, especially children, and animals out of the work area where the edger is in use.

WARNING

Use of this machine may be hazardous. If the rotating blade comes in contact with your body, it will cut you. When it comes in contact with solid foreign objects such as rocks, glass or bits of metal, it may fling them directly or by ricochet

in the direction of bystanders or the operator. Striking such objects could damage the edger blade and may cause it to crack, chip or break. Thrown objects, including broken blades, may result in serious or fatal injury to the operator or bystanders. Follow the safety precautions in this manual to reduce the risk of personal injury.

2 Guide to Using this Manual

2.1 Signal Words

This manual contains safety information that requires your special attention. Such information is introduced with the following symbols and signal words:

⚠ DANGER

Indicates a hazardous situation that, if not avoided, will result in death or serious injury.

⚠ WARNING


Indicates a hazardous situation that, if not avoided, could result in death or serious injury.

NOTICE

Indicates a risk of property damage, including damage to the machine or its individual components.

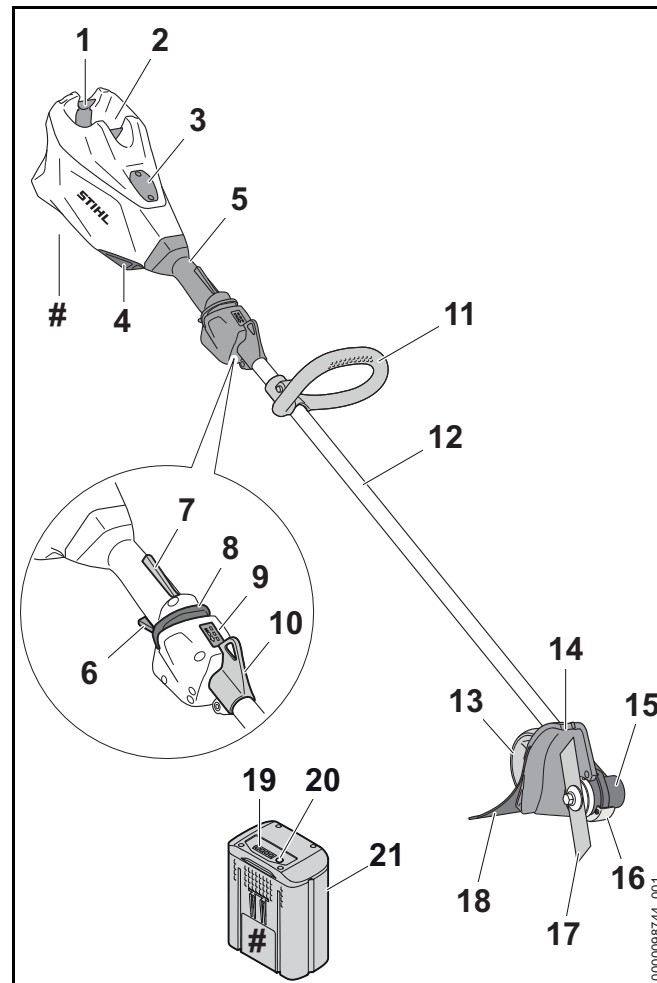
2.2 Symbols in Text

The following symbol is included to assist you with the use of the manual:

 Refers to a designated chapter or sub-chapter in this instruction manual.

3 Main Parts

3.1 Edger and Battery



1 Locking Lever

Secures the battery in the battery compartment.

2 Battery Compartment

Holds the battery.

3 Mounting Recess Cover¹

Covers the mounting area for a Smart Connector 2 A.

4 Air Filter

Filters the air drawn into the motor.

5 Control Handle

Handle for the operator's rear hand.

6 Trigger Switch

Activates the cutting attachment when depressed.

7 Trigger Switch Lockout

Must be depressed to allow activation of the trigger switch.

8 Retaining Latch

For switching the edger on and selecting the power level.

9 LEDs

Indicate the unit's power level.

10 Carrying Ring

For connecting a harness to the edger.

11 Loop Handle

Handle for the operator's front hand.

12 Drive Tube

Shaft of the power tool.

13 Depth Wheel

Rolls on the ground and maintains the desired depth of cut.

14 Deflector

Designed to reduce the risk of injury from thrown objects and contact with the cutting attachment.

15 Gearbox

Covers the transmission system.

¹ Remove the mounting recess cover only to install a Smart Connector 2 A. Store it safely for later reinstallation. Always use the power tool with the mounting recess cover in place or with the Smart Connector 2 A mounted.

16 Wear Guard

Protects the gearbox from wear.

17 Edger Blade

Metal cutting attachment for cutting weeds and soft green plants.

18 Skirt

Designed to reduce the risk of injury from thrown objects towards the operator.

19 Battery LEDs

Indicate the battery's state of charge and display error messages regarding potential malfunctions in the battery or power tool.

20 Push Button

Activates the battery's LEDs.

21 Battery

Supplies electrical power to the motor.

Rating Plate

Contains electrical information and the product's serial number.

4 Safety Symbols on the Products

4.1 Edger

The following safety symbols are found on the edger:



To reduce the risk of injury, follow the specified safety precautions.



Read and follow all safety precautions in the instruction manual. Improper use can lead to serious or fatal personal injury or property damage.



To reduce the risk of eye injury, always wear proper eye protection, 5.5.



Wear sturdy boots with non-slip soles. Steel-toed safety boots are recommended, 5.5.



Always wear non-slip, heavy-duty work gloves (e.g. made of leather or other wear resistant material) when handling the machine or metal edger blade, 5.5.



To reduce the risk of cut injuries, keep hands and feet away from the cutting attachment, 5.7.4.



To reduce the risk of personal injury from thrown objects, inspect the work area and remove stones, glass, rocks, pieces of metal and other objects that could be thrown by the cutting attachment. 5.7.4.



To reduce the risk of personal injury from thrown objects, keep bystanders at least 50 ft. (15 m) away, 5.7.4.



To reduce the risk of injury or property damage from unintended activation, remove the battery any time the edger is not in use, 5.6.



The gearbox becomes hot during operation. To reduce the risk of burn injury, avoid contacting the gearbox while it is still hot following operation, 6.

4.2 Battery

The following safety symbols are found on the AR series backpack battery and the AP series battery:



To reduce the risk of injury, follow the specified safety precautions.



Read and follow all safety precautions in the battery's instruction manual and the manual for the STIHL tool powered by this battery. Improper use can lead to serious or fatal personal injury or property damage.



To reduce the risk of personal injury or property damage from fire, explosion or burns, including chemical burns, do not disassemble, crush, drop, damage or heat above 212 °F (100 °C). Never expose to fire or incinerate, 7.



To reduce the risk of personal injury or property damage from fire, use and store only within an ambient temperature range of 14 °F to 122 °F (- 10 °C to 50 °C), 7.

AR 900, 1000, 2000, 3000 Backpack Batteries



To reduce the risk of personal injury or property damage from a short circuit, fire or explosion, keep dry. Protect from rain, water, liquids and damp conditions. Never immerse in water or other liquids, 7.

AR L Backpack Batteries



To reduce the risk of personal injury or property damage from a short circuit, fire or explosion, keep dry. Never immerse in water or other liquids, 7.

AP Series Batteries



To reduce the risk of personal injury or property damage from a short circuit, fire or explosion, keep dry. Never immerse in water or other liquids, 7.

Batteries sold separately.

5 IMPORTANT SAFETY INSTRUCTIONS

5.1 General Safety Warnings and Instructions

This section contains the prescribed general safety warnings and instructions for handheld, motor-operated electric edgers. Additional important warnings and instructions are provided in subsequent sections of this manual.

⚠ WARNING

- When using electric edgers, basic safety precautions should always be followed to reduce the risk of fire, electric shock and personal injury, including the following:

READ ALL INSTRUCTIONS BEFORE USING THE EDGER!

- 1) Avoid Dangerous Environment – Don't use edgers in damp or wet locations.
- 2) Don't Use In Rain.
- 3) Keep Children Away – All bystanders should be kept at a distance from work area.
- 4) Dress Properly – Do not wear loose clothing or jewelry. They can be caught in moving parts. Heavy-duty work gloves (e.g. made of leather or other wear resistant material) and substantial footwear are recommended when working outdoors. Wear protective hair covering to contain long hair.
- 5) Use Safety Glasses – Always use face or dust mask if operation is dusty.
- 6) Use Right Tool – Do not use tool for any job except that for which it is intended.
- 7) Avoid Unintentional Starting – Do not carry edger with finger on the trigger switch. Be sure the edger is off when inserting the battery.
- 8) Don't Force Edger – It will do the job better and with less likelihood of a risk of injury at the rate for which it was designed.

- 9) Don't Overreach – Keep proper footing and balance at all times.
- 10) Stay Alert – Watch what you are doing. Use common sense. Do not operate edger when you are tired.
- 11) Store Edger Indoors – When not in use, edger should be stored indoors in a dry, locked place out of reach of children with the battery removed.
- 12) Maintain Edger With Care – Keep cutting attachment clean for best performance and to reduce the risk of injury. Follow instructions for lubricating and changing accessories. Keep handles dry, clean, and free from oil and grease.
- 13) Check Damaged Parts – Before further use of the edger, a guard or other part that is damaged should be carefully checked to determine that it will operate properly and perform its intended function. Check for alignment of moving parts, binding of moving parts, breakage of parts, mounting, and any other condition that may affect its operation. A guard or other part that is damaged should be properly repaired or replaced by an authorized service center unless indicated elsewhere in this manual.
- 14) Keep guards in place and in working order.
- 15) Keep hands and feet away from cutting area and cutting attachment.

SAVE THESE INSTRUCTIONS

5.2 Introduction

⚠ WARNING

- Use of this machine may be hazardous. If the rotating blade comes in contact with your body, it will cut you. When it comes in contact with solid foreign objects such as rocks, glass or bits of metal, it may throw or fling them directly or by ricochet in the direction of bystanders or the operator. Striking such objects could damage the edger blade and may cause it to crack, chip or break. Thrown objects, including broken blades, may result in serious or

fatal injury to the operator or bystanders. As more fully explained later in this manual, to reduce the risk of personal injury:

- Keep the deflector and skirt attached and in place at all times.
- Use only edger blades that are specifically authorized by STIHL for use on your edger model.
- Do not lend or rent your edger without the instruction manual. Be sure that anyone using it understands the information contained in this manual. Have your dealer show you how to operate your edger. Observe all applicable laws, regulations, standards and ordinances.

5.3 Intended Use

⚠ WARNING

- This edger is designed to produce sharp contoured borders around lawns and flower beds. Use your edger only for edging in grass, weeds and soft green plants. Use of the edger for operations different than intended could result in serious injury or death.
 - Do not use it for any other purposes.
- Improper use could result in personal injury or property damage, including damage to the power tool.
 - Use the power tool and battery only as described in this manual.
 - Never attempt to modify or override the edger's controls or safety devices in any way.
 - Never use an edger that has been modified or altered from its original design.
 - Be sure to read and follow the warnings and instructions for your battery and charger before charging or starting work.
- This power tool may be powered by a STIHL AP series battery. Alternatively, it may be powered by a STIHL AR series backpack battery in combination with an AP Adapter.

Batteries, chargers and other accessories are sold separately.

5.4 Operator

⚠ WARNING

- Working with the power tool can be strenuous. The operator must be in good physical condition and mental health. To reduce the risk of personal injury from fatigue and loss of control:
 - Check with your doctor before using the power tool if you have any health condition that may be aggravated by strenuous work.
 - Do not operate the power tool while under the influence of any substance (drug, alcohol or medication, etc.) that might impair vision, balance, dexterity or judgment.
 - Be alert. Do not operate the power tool when you are tired. Take a break if you become tired.
 - Do not permit minors to use the power tool.
- According to STIHL's current knowledge, the electric motor of this power tool should not interfere with a pacemaker.
 - However, persons with a pacemaker or other implanted medical device should consult their physician and device manufacturer before operating the power tool.

5.5 Personal Protective Equipment

⚠ WARNING

- Even a properly installed and adjusted deflector may not protect the operator from all foreign objects thrown or flung by the cutting attachment. Thrown objects may also ricochet and strike the operator. To reduce the risk of personal injury:
 - Always wear proper clothing and protective apparel, including proper eye protection.

- Loss of control and severe cut injuries may result if hair, clothing or apparel make contact with the moving cutting attachment or otherwise become entangled in the components of the edger. To reduce the risk of severe personal injury:



- Wear sturdy and snug-fitting clothing that also allows complete freedom of movement.
- Wear overalls or long pants made of heavy material to help protect your legs. Do not wear shorts.

- Avoid loose-fitting jackets, scarves, neckties, flared or cuffed pants, jewelry and any other apparel that could be caught on branches, brush or the moving cutting attachment.

- Secure hair above shoulder level before starting work.

- To reduce the risk of eye injury:



- Always wear goggles or close-fitting protective glasses with adequate side protection that are impact-rated and marked as complying with ANSI Z87 "+".

- If there is a risk of facial injury, STIHL recommends that you also wear a face shield or face screen over your goggles or protective glasses.

- Good footing is very important. To help maintain a secure footing and reduce the risk of injury while working:



- Wear substantial footwear with non-slip soles. Steel-toed safety boots are recommended. Do not wear sandals, flip-flops, open-toed or similar footwear.

- To improve your grip and help protect your hands:



- Always wear heavy-duty non-slip work gloves made of leather or another wear-resistant material when handling the edger.

- Always wear heavy-duty work gloves when mounting or otherwise handling the edger blade.

5.6 Edger

⚠ WARNING

- To reduce the risk of electric shock:

- Do not immerse the power tool in water or other fluids.
- Store the power tool indoors.

- If the moving edger blade contacts you, it will result in serious laceration injuries. To reduce the risk of such injuries:

- Keep hands, feet and other parts of your body away from the edger blade.
- Never touch the moving edger blade with your hand or any other part of your body.
- Never operate the edger with a damaged or missing deflector or skirt.

- To reduce the risk of personal injury to the operator and bystanders from blade contact and thrown objects:



- Keep the deflector and skirt attached and in place at all times. Do not operate with a missing or damaged deflector or skirt.

- To reduce the risk of personal injury to the operator and bystanders:




- Always release the trigger switch and remove the battery before assembling, transporting, adjusting, inspecting, cleaning, servicing, maintaining or storing the edger, and any other time it is not in use.
- Never leave the power tool unattended when the battery is inserted.
- Although certain unauthorized attachments may fit your STIHL edger, their use may be extremely dangerous. Only attachments supplied by STIHL or expressly approved by STIHL for use with this specific model are recommended.
 - Use only edger blades supplied or expressly approved by STIHL.
 - Never modify this edger in any way.
 - Never attempt to modify or override the edger's controls or safety devices in any way.
 - Never use an edger that has been modified or altered from its original design.
 - For a list of edger blades authorized by STIHL for your unit, see Chapter 24.2 of this instruction manual.
- If the power tool or battery is dropped or subjected to similar heavy impacts:
 - Check that it is undamaged, in good condition and functioning properly before continuing work.
 - Check that the controls and safety devices are working properly.
 - Check the LEDs on the battery for error messages, 23.
 - Check that the battery has not been damaged. Never use or charge a malfunctioning, damaged, cracked, leaking or deformed battery.
 - Never work with a damaged or malfunctioning power tool or battery. In case of doubt, have the power tool and battery checked by your authorized STIHL servicing dealer.
- If the power tool or battery is damaged, not working properly, has been left outdoors or dropped into water or other liquid, its components may no longer function properly and safety devices may be inoperative. To reduce the risk of personal injury and property damage:
 - Take the power tool and battery to your authorized STIHL servicing dealer to be checked before further operation.
- Genuine STIHL replacement parts are specifically designed to match your power tool and meet safety and performance requirements. Use of parts that are not authorized or approved by STIHL may cause serious or fatal injury or property damage.
 - STIHL recommends that only identical STIHL replacement parts be used.

5.7 Using the Edger

5.7.1 Before Operation


WARNING

- Misuse or unauthorized use may result in personal injury and property damage.
 - Use the edger only as described in this instruction manual.
- The edger blade must be properly installed and tightened before starting work. Failure to use the proper parts to mount the edger blade may cause it to fly off and seriously injure the operator or bystanders.
 - Read and follow the instructions on mounting the edger blade, 12, and adjusting the handle, 13.1.
 - Never mount an edger blade without the proper installation of all required parts (e.g., nuts, screws, thrust washer, thrust plate, etc.).

- Before starting work, inspect for loose parts (nuts, screws, etc.) and for a cracked, bent, warped or damaged edger blade.
- Replace damaged or worn out edger blades before using the power tool.
- Using an edger that is modified, damaged, improperly adjusted or maintained, or not completely and securely assembled can lead to a malfunction and increase the risk of serious personal injury or death.
 - Never operate an edger that is modified, damaged, improperly maintained or not completely and securely assembled.
 - Always check your unit for proper condition and operation before starting work, particularly the retaining latch, trigger switch lockout, trigger switch, deflector, skirt and cutting attachment.
 - Ensure that the retaining latch, trigger switch lockout and trigger switch move freely and spring back into place when released. The trigger switch must not engage until the trigger switch lockout is depressed.
 - Never attempt to modify or override the controls or safety devices in any way.
 - The edger blade must engage only when the battery is inserted, the retaining latch is once pushed forward and the trigger switch lockout and trigger switch are depressed.
 - If your edger or any part, including the battery, is damaged or does not function properly, take it to your authorized STIHL servicing dealer. Do not use the unit until the problem has been corrected.
- Before inserting the battery:
 - Check the electrical contacts in the battery compartment for corrosion or other foreign matter. Keep clean.
 - Never insert or use a malfunctioning, damaged, cracked, leaking or deformed battery.
 - Read and follow the instructions on switching on the power tool,  15.1.

- To help reduce the risk of serious personal injury or death from unintentional starting:
 - Release the trigger switch and trigger switch lockout before inserting the battery.
 - Never carry the unit with your finger on the trigger switch.
 - Release the trigger switch before removing the battery.



- Remove the battery before assembling, transporting, adjusting, inspecting, cleaning, servicing, maintaining or storing the edger, and any other time it is not in use.
- Never leave the power tool unattended when the battery is inserted.
- Never store the battery in the edger.
- Before switching on your edger, take the following steps to reduce the risk of personal injury from thrown objects, loss of control or inadvertent contact with the edger blade:
 - Be sure that the edger blade is clear of you and all other obstructions and objects, including the ground.
 - Read and follow the instructions on switching on the edger,  15.1.


5.7.2 Holding and Controlling the Edger

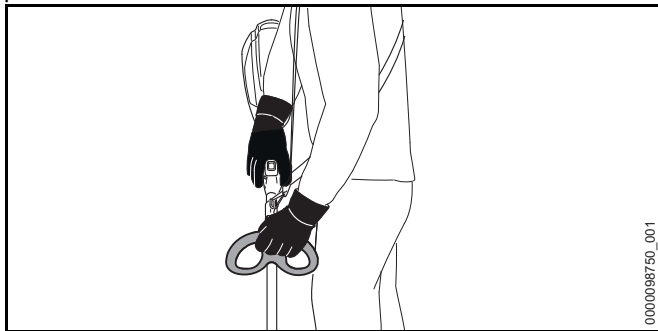
WARNING

- To maintain a firm grip and properly control your edger:
 - Keep the handles clean and dry at all times. Keep them free of moisture, pitch, oil, grease and resin.
- Operating the edger with one hand may lead to loss of control and is extremely dangerous. To reduce the risk of serious or fatal injury to the operator or bystanders from loss of control:



- Never attempt to operate the edger with one hand.


- To reduce the risk of serious or fatal injuries to the operator or bystanders from loss of control:
 - Always hold the power tool firmly with both hands when you are working.
 - Wrap your fingers tightly around the handles, keeping the handles cradled between your thumb and forefinger (see illustration below).
 - Position the power tool so that all parts of your body are clear of the edger blade whenever the battery is inserted.
 - Avoid cutting close to fences, sides of buildings, tree trunks, stones or other objects that could damage the edger blade or cause the power tool to kick out.
 - The operator may use a harness as instructed in this manual,  25.



- To reduce the risk of severe injury from loss of control and contact with the edger blade:
 - Never remove or modify the deflector or skirt.
 - During operation, the operator's right hand must grip the rear handle and the operator's left hand must hold the front handle. This applies to all operators, even those who are left-handed.

- To reduce the risk of serious or fatal injury from loss of control or thrown objects:
 - Keep the depth wheel rolling along the ground while edging.
- To reduce the risk of serious or fatal injuries to the operator or bystanders from contact with the cutting attachment:
 - Keep hands, feet and other body parts away from the edger blade.
 - Never touch a moving edger blade with your hand or any other part of your body.



- Do not touch the edger blade while the battery is inserted in the power tool.
- To reduce the risk of serious or fatal cut injuries to the operator or bystanders from loss of control, keep proper footing and balance at all times:
 - Make sure you have good balance and a secure footing at all times.
 - Take special care in overgrown or wet terrain and always watch for hidden obstacles such as tree stumps, roots, rocks, holes and ditches to avoid stumbling or falling.
 - Be extremely cautious when working on slopes or uneven ground.
 - For better footing, always clear away fallen branches, scrub, cuttings and other material, objects or vegetation that can increase the danger of slipping, tripping or falling.
 - Never operate above ground level.
 - Do not overreach.
- The edger should be balanced for proper control and less fatigue during operation.
 - Adjust the position of the loop handle and harness to achieve and maintain a comfortable and effective working position,  13.

5.7.3 Working Conditions

▲ WARNING

- Operate your edger only under good visibility during favorable daylight conditions.
 - Postpone the work if the weather is windy, foggy, rainy or inclement.
 - Your edger is a one-person machine.
 - Bystanders, especially children, and animals should not be allowed in the area where it is in use.
 - Switch it off immediately if you are approached.
 - To reduce the risk of injury to bystanders and unauthorized users:
 - Never leave the edger unattended when the battery is inserted.
 - Switch off the unit and remove the battery during work breaks and any other time the power tool is not in use.
 - Sparks generated from operation of the edger, may be capable of igniting combustible gases, liquids, vapors, dusts or other combustible materials and substances. To reduce the risk of fire and explosion:
 - Never operate the edger in a location where combustible gases, liquids, vapors, dusts or other combustible materials and substances are present.
 - Read and follow recommendations issued by government authorities (e.g., OSHA) for identifying and avoiding the hazards of combustible gases, liquids, vapors, dusts or other combustible materials and substances.
 - If a rotating metal blade strikes concrete, rocks or other hard objects, sparks may be created, which can ignite flammable materials under certain circumstances.
- Flammable materials can include dry vegetation and brush, particularly when weather conditions are hot and dry.
- When there is a risk of fire or wildfire, do not use the edger around flammable materials or around dry vegetation or brush.
 - Contact your local fire authorities or the U.S. Forest Service if you have any question about whether vegetation and weather conditions are suitable for the use of an edger.
- Use of this edger can generate dust and other substances containing chemicals known to cause respiratory problems, cancer, birth defects and other reproductive harm.
 - Consult governmental agencies such as EPA, OSHA, CARB and NIOSH and other authoritative sources on hazardous materials if you are unfamiliar with the risks associated with the particular substances you are cutting or with which you are working.
- Inhalation of certain dusts, especially organic dusts such as mold or pollen, can cause susceptible persons to have an allergic or asthmatic reaction. Substantial or repeated inhalation of dust or other airborne contaminants, especially those with a smaller particle size, may cause respiratory or other illnesses.
 - Control dust at the source where possible.
 - To the extent possible, operate the edger so that the wind or operating process directs any dust, mist or other particulate matter raised by the edger away from the operator.
 - When respirable dust or other particulate matter cannot be kept at or near background levels, always wear a respirator that is approved by NIOSH and rated for worksite-specific conditions. Follow the recommendations of governmental authorities (e.g., OSHA/NIOSH) and occupational and trade associations.

- If the vegetation being cut or the surrounding ground is coated with a chemical substance, such as a pesticide or herbicide:
 - Read and follow the instructions and warnings that accompanied the substance coating the vegetation or surrounding ground.

5.7.4 Operating Instructions

⚠ WARNING

- In the event of an emergency:
 - Switch off the motor immediately and remove the battery.
- The edger blade continues to rotate for a short period after the trigger switch is fully released. This is known as the "flywheel effect." To reduce the risk of serious personal injury from contact with the cutting attachment:
 - Wait for the edger blade to stop before walking with the unit or putting it down.
- The rotating edger blade may fling foreign objects directly or by ricochet a great distance. Thrown objects, including broken blades, may cause serious or fatal injury to the operator or bystanders. To reduce the risk of severe personal injury:




- Inspect the work area. Remove stones, glass, rocks, pieces of metal or other objects that could be thrown by the edger blade, damage the edger blade or cause personal injury or damage to property (e.g., parked vehicles, windows).
- STIHL does not recommend the use of the edger when cutting in rocky areas or in areas where there is debris or other objects that could be thrown by the edger blade.



- Always wear proper eye protection and keep bystanders at least 50 ft. (15 m) away from the work area. Any persons who must enter the restricted area must also wear proper eye protection.
- To reduce the risk of damage to property, also maintain this distance from such objects as vehicles and windows.
- Maintaining a minimum distance of 50 ft. (15 m) cannot eliminate the potential risk of personal injury and property damage from thrown objects.
- Switch off the motor immediately if you are approached while working with the edger.
- Your edger is equipped with a deflector and skirt. To reduce the risk of personal injury from thrown objects and contact with the edger blade:



- Never operate the edger with a damaged or missing deflector or skirt.
- Keep the deflector and skirt attached and in place at all times.
- Use of non-approved edger blades is not authorized and could be extremely dangerous.
 - Use only the cutting attachments listed in this manual. See Specifications,  24.2.
- To reduce the risk of severe personal injuries from unintentional starting:



- Never touch the edger blade with your hand, feet or any other part of your body while the battery is inserted, even when the edger blade is not moving. Keep bystanders at least 50 ft. (15 m) away.



- Switch off the motor and remove the battery before inspecting the edger blade or deflector. Clean dirt, grass, weeds and other material from the blade and deflector at regular intervals, but only after removing the battery.

- A damaged or loose edger blade may vibrate, crack, break or come off during operation, which may result in serious or fatal injury.
 - Make sure the edger blade is properly tightened before starting work.
 - Check the tightness and condition of the edger blade before starting work and any time cutting behavior changes during use. Always switch off the motor, wait for the edger blade to stop and remove the battery before inspecting the edger or the edger blade.
 - If the edger blade loosens after being properly tightened, stop work immediately and have the unit inspected by your authorized STIHL servicing dealer.
- A cracked, damaged or worn out edger blade may shatter at high speeds and cause serious or fatal injury.
 - Replace a cracked, bent, warped, damaged or worn out blade immediately, even if damage appears to be limited to superficial cracks.
 - Never use an edger with a loose or damaged edger blade.

⚠ DANGER

- To reduce risk of electrocution:



- Never operate this edger in the vicinity of any wires or cables that may be carrying electric current. Look carefully for concealed wires before starting work.
- Do not rely on the edger's insulation against electric shock, even when holding the power tool by insulated gripping surfaces.

6 Maintenance, Repair and Storage

6.1 Warnings and Instructions

⚠ WARNING

- There are no user-authorized repairs for the battery or power tool. To reduce the risk of fire, electric shock or other personal injury and property damage:
 - Users may carry out only the cleaning and maintenance operations described in this manual.
 - Strictly follow the cleaning and maintenance instructions in the appropriate sections of this instruction manual.
 - Never attempt to repair a damaged or broken edger blade. This may cause broken parts to come off and result in serious or fatal injuries.
 - Wear non-slip, heavy-duty work gloves when handling edger blades.
 - STIHL recommends that all repair or replacement work be performed by authorized STIHL servicing dealers.
- Unintentional starting may result in personal injury or property damage. To reduce the risk of personal injury and property damage from unintentional starting:



- Remove the battery before inspecting the edger or carrying out any cleaning, maintenance or repair work, before storing, and any other time the power tool is not in use.

- Use of parts that are not authorized or approved by STIHL may cause serious or fatal injury or property damage.
 - STIHL recommends that only identical STIHL replacement parts be used.
- To reduce the risk of serious or fatal injuries from a loose or damaged edger blade:
 - Tighten all nuts, bolts and screws after each use.
 - Never attempt to repair damaged edger blades by welding, straightening or modifying the shape. Always replace a damaged edger blade before use.
 - Never attempt to sharpen an edger blade.
- The gearbox becomes hot during operation. To reduce the risk of burn injury:



- Allow the gearbox to cool before inspecting or changing an edger blade. Avoid contacting the gearbox while it is still hot following operation.
- Improper storage can result in unauthorized use, damage to the power tool and an increased risk of fire, electric shock and other personal injury or property damage.
 - Remove the battery from the power tool before storing.
 - Never store the power tool or charger with the battery inserted.
 - Store the edger and battery indoors in a dry, secure place that cannot be accessed by children or other unauthorized users.
 - Never store the battery in the edger, in the charger, in a metal container or in a container with metal objects (e.g., paper clips, nails, coins, keys).
- Dropping the battery could result in personal injury or property damage. To prevent the battery from falling during removal:
 - Place the edger on a level surface.
 - Use care when ejecting the battery.




7 Battery Safety

7.1 Warnings and Instructions

WARNING

- Read and follow the safety precautions on the battery and all warnings and instructions that accompany it.
- Use of unauthorized batteries can damage the power tool and result in fire, explosion and personal injury and property damage.
 - Use only genuine STIHL AR or AP series batteries with this power tool.
- Use of STIHL AR or AP series batteries for any purpose other than powering STIHL products could be extremely dangerous.
 - Use STIHL AR and AP series batteries only to power compatible STIHL products.
- Use of unauthorized chargers can damage the battery and result in fire, explosion and personal injury and property damage.
 - Charge STIHL AP series batteries only with genuine STIHL AL 101, AL 300 or AL 500 series chargers.
 - Charge STIHL AR series backpack batteries only with genuine STIHL AL 300 or AL 500 series chargers.
- The battery contains safety features and devices which, if damaged, may allow the battery to generate heat, rupture, leak, ignite or explode.
 - Never heat the battery above 212 °F (100 °C).
 - Never incinerate or place the battery on or near fires, stoves or other high-temperature locations.
- Never use or charge a malfunctioning, damaged, cracked, leaking or deformed battery.
- Never open, disassemble, crush, drop, subject to heavy impact or otherwise damage the battery.









- Never expose the battery to microwaves or high pressures.
- Never insert objects into the battery's cooling slots.
- Extreme temperatures may cause the battery to generate heat, rupture, leak, ignite or explode, resulting in severe or fatal personal injury and property damage. Exposure to temperatures outside the recommended temperature range may also reduce battery life and performance.
 -  – Use and store the battery only within an ambient temperature range of 14 °F to 122 °F (-10 °C to 50 °C).
 - Never store the battery in direct sunlight or inside a vehicle in hot weather.
- To reduce the risk of personal injury and property damage in the event the battery emits smoke, an unusual smell or feels unusually hot while using, charging or storing:
 - Immediately discontinue using or charging the battery. Contact the authorities in the event of fire or explosion.
- To reduce the risk of a short circuit, which could lead to electric shock, fire and explosion:
 -  – Keep STIHL AR 900, 1000, 2000, 3000 backpack batteries dry. Protect from rain, water and other liquids. Attach the rain cover to a STIHL AR 1000, 2000, 3000 battery before starting work in rain or in very damp conditions.
 -  – If a STIHL AP or AR L battery has been exposed to rain during work, remove it from the product and allow it to dry indoors. Make sure it is completely dry before charging or using.
 - Never immerse any STIHL battery in water or other liquids.
- Never bridge the battery terminals with wires or other metallic objects.
- Keep a battery that is not in use away from metal objects (e.g., paper clips, nails, coins, keys).
- Never transport or store the battery in a metal container.
- Store the battery indoors in a dry room.
- Never store the battery in damp or corrosive environments or in conditions that could lead to corrosion of its metal components.
- Protect the battery from exposure to corrosive agents such as garden chemicals and de-icing salts.
- Protect the battery from exposure to conductive liquids such as salt water.
- Do not attempt to repair, open or disassemble the battery. There are no user-serviceable parts inside.
- Leaking battery fluid is potentially harmful and can cause skin and eye irritation, chemical burns and other serious personal injury.
 - Avoid contact with skin and eyes.
 - Use an inert absorbent such as sand on spilled battery fluid.
 - In the event of accidental contact, immediately rinse the contact area thoroughly with mild soap and water.
 - If fluid gets into your eye(s): do not rub. Rinse water over the open eye(s) for at least 15 minutes and seek medical attention.
- A battery fire can be dangerous. To reduce the risk of severe personal injury and property damage in the event of fire:
 - Evacuate the area. Fire can spread rapidly. Stay clear of any vapors generated and maintain a safe distance.
 - Contact the fire department.
 - Although water can be used to put out a battery fire, use of a multi-purpose dry chemical fire extinguisher is preferable.
 - Consult the fire department regarding proper disposal of a burned battery.

8 Before Starting Work

8.1 Preparing the Edger for Operation

Before starting work:

- ▶ Fully charge the battery,  9.
- ▶ Mount the loop handle,  12.1.
- ▶ Mount the gearbox,  12.2.
- ▶ Mount an approved edger blade,  12.3.
- ▶ Adjust the loop handle,  13.1.
- ▶ Check the controls for proper function and condition,  16.1.

9 Charging the Battery

9.1 Setting up the Charger

WARNING

Read and follow the safety precautions on the battery and charger and all warnings and instructions that accompany those products. To reduce the risk of short circuit, which could lead to electric shock, fire and explosion, make sure the charger and its components are dry and not damaged; operate the charger indoors at an appropriate ambient temperature.

WARNING

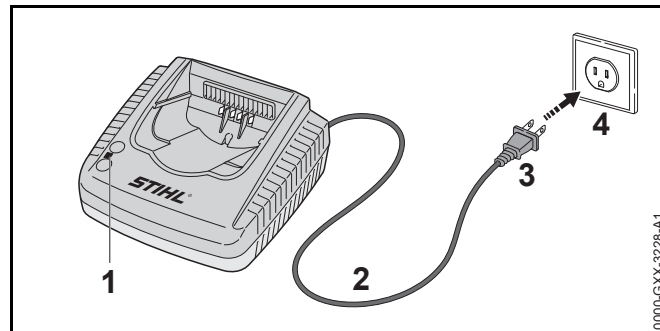
A typical household electric circuit is between 15 and 20 amps. A single STIHL AL 500 charger draws approximately 4.8 amps. A single AL 300 charger draws approximately 4.4 amps. To reduce the risk of fire from overloading an electrical circuit:

- ▶ Ensure the electrical system is rated to withstand the expected electrical draw before charging your battery.
- ▶ Charge multiple batteries one at a time or on separate circuits, unless you know your circuit can handle the total expected draw from multiple chargers.

WARNING

Since the charger heats up during the charging process, do not operate the charger on a combustible surface or in a location where combustible gases, liquids, vapors, dusts or other materials and substances are present.

To set up the charger:



- ▶ Insert the plug (3) into a properly installed electrical outlet (4) matching the voltage and electrical frequency stated on the charger's rating plate.

The charger runs a self-test immediately after it is plugged in. The charger LED (1) will glow green for about 1 second, then it will glow red briefly before going out. Once the LED goes out, the self-test is complete and the charger is ready to charge the battery.

- ▶ Position the power supply cord (2) so that it will not be stepped on, tripped over, come in contact with sharp objects or moving parts or otherwise be subjected to damage or stress.

9.2 Charging

WARNING

STIHL batteries contain safety features and devices which, if damaged, may allow the battery to generate heat, rupture, leak, ignite or explode. Never charge a malfunctioning, damaged, cracked, leaking or deformed battery, or use a charger that has been damaged. Never insert a wet battery

or battery adapter. Never use a wet charger. Follow all product-specific warnings and instructions accompanying your battery and charger.

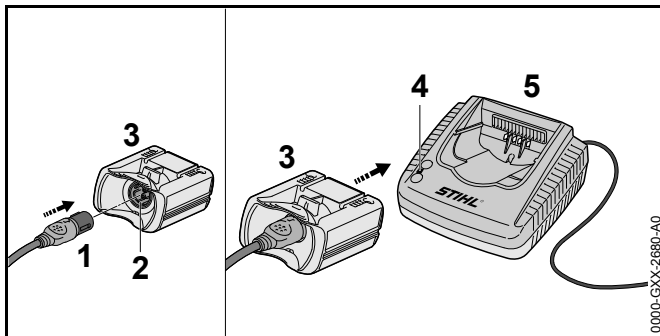
A battery is not fully charged when it ships from the factory. STIHL recommends that you fully charge the battery before using it the first time.

Operate the charger only indoors, in dry rooms and within an ambient temperature range of 41 °F to 104 °F (5 °C to 40 °C).

The battery heats up during operation of the power tool. If a hot battery is connected to the charger, it may be necessary for it to cool down before charging starts. The charging process begins only after the battery has cooled down sufficiently.

Charging time depends on a number of factors, including battery condition and the ambient temperature. For a complete list of approximate charging times, see www.stihl.com/charging-times.

To charge an AR battery:



- ▶ Push the plug of the connecting cord (1) into the socket (2) of the AP Adapter (3) until it stops.

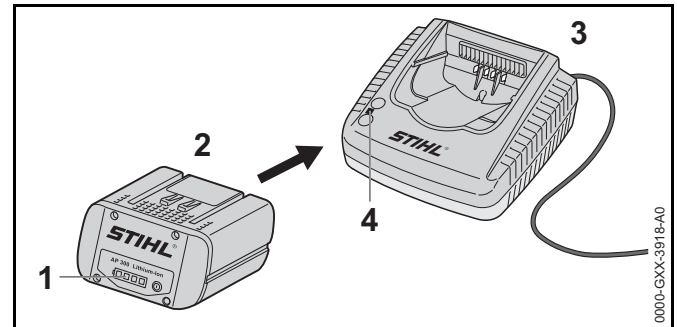
- ▶ Push the AP Adapter into the charger (5) until it stops. The LED on the **charger** (4) glows green when the battery is charging.

The LEDs on the **AR battery** glow green and show the state of charge.

When the LEDs on the battery turn off, the charging process is complete and the charger will shut itself off. The AP Adapter can be removed from the charger.

- ▶ Disconnect the power supply cord from the electrical outlet when the charger is not in use for extended periods of time.
- ▶ Charge STIHL AR backpack batteries only with genuine STIHL AL 300 or AL 500 series chargers.

To charge an AP battery:



- ▶ Push the battery (2) into the charger (3) until it stops. The LED on the **charger** glows green when the battery is charging.

The LEDs (1) on the **AP battery** glow green and show the state of charge.

When the LEDs on the battery go out, the charging process is complete and the charger will shut itself off. The AP battery can be removed from the charger.

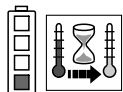
- ▶ Disconnect the power supply cord from the electrical outlet when the charger is not in use.
- ▶ Charge STIHL AP series batteries only with genuine STIHL AL 101, AL 300 or AL 500 series chargers.

10 LED Diagnostics and Acoustic Signals

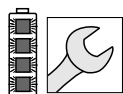
10.1 STIHL AP Battery

10.1.1 Battery Status

Four LEDs show the status of the battery. These LEDs can glow or flash green or red.



If one LED glows red continuously: the battery is either too hot or too cold. Allow the battery to warm up or cool down gradually at an ambient temperature of about 50 °F to 68 °F (10 °C to 20 °C).



If all 4 LEDs flash red: the battery has a malfunction and must be replaced. Do not attempt to charge, use or store the battery.

10.1.2 Power Tool Status

The same LEDs on the battery will indicate the status of the power tool.

If three LEDs glow red continuously: the power tool motor is too hot. Allow the motor to cool down.

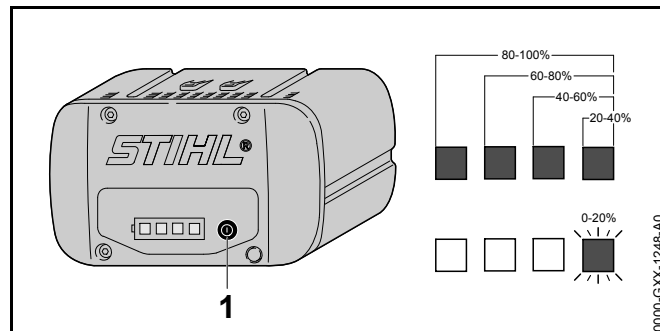
If three LEDs flash red when you activate the trigger switch: the power tool has an electrical malfunction. Do not operate the power tool. Have it checked by an authorized STIHL servicing dealer before use or storage.

For troubleshooting information, 23.

10.1.3 Charge Status

The LEDs on the battery also show the battery's state of charge.

To determine the battery's state of charge:



- ▶ Press the button (1) on the battery. The LEDs on the battery will glow or flash green for about 5 seconds and indicate the state of charge (see illustration).

For example:

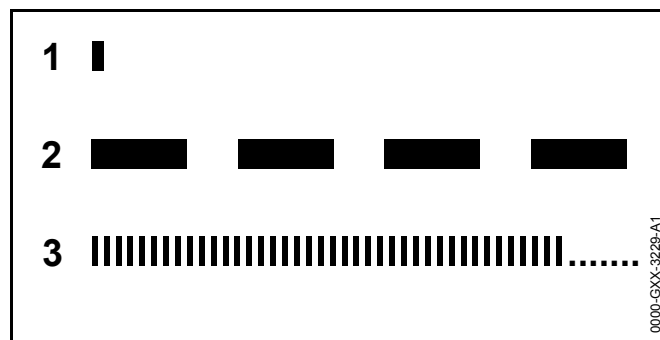
If four green LEDs glow continuously: full charge.

If one green LED is flashing: less than 20 % charge.

10.2 STIHL AR Backpack Battery

10.2.1 Battery Status

Six LEDs and an acoustic signal indicate the status of the battery.



1 A short beep

The acoustic signal works as it should.

2 Four or six (AR L) long beeps

The battery's charge is low. Recharge the battery.

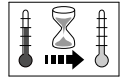
3 Rapid succession of short beeps

There is a malfunction in the battery. The signal stops automatically after a few seconds. Do not attempt to charge, use or store the battery. Replace the battery.

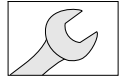
These LEDs can glow or flash green or red.



If one LED glows red continuously: the battery is either too hot or too cold. Allow the battery to warm up or cool down gradually at an ambient temperature of about 50 °F to 68 °F (10 °C to 20 °C).



If the four right side LEDs flash red and a rapid succession of several short beeps is emitted: the battery has a malfunction and must be replaced. Do not attempt to charge, use or store the battery.



- ▶ Be aware that your ability to hear the acoustic signal may be reduced when wearing hearing protection.

10.2.2 Power Tool Status

When the battery is connected to the power tool, the same LEDs on the battery will indicate the status of the power tool.

If three LEDs glow red continuously: the power tool motor is too hot. Allow the motor to cool down.

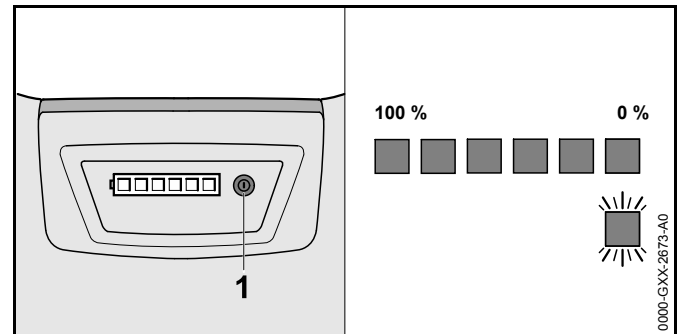
If three LEDs flash red when you activate the trigger switch: the power tool has an electrical malfunction. Do not operate the power tool. Have it checked by an authorized STIHL servicing dealer before use or storage.

For troubleshooting information, 23.

10.2.3 Charge Status

The LEDs and acoustic signals on the battery also indicate the battery's state of charge.

To determine the battery's state of charge:



- ▶ Press the button (1) on the backpack battery.

A single short beep will be emitted. The LEDs on the battery will glow or flash green for about 5 seconds and indicate the state of charge (see illustration).

For example:

If six green LEDs glow continuously: full charge.

If one green LED is flashing and four long beeps are emitted: less than 20 % charge.

11 STIHL AR Backpack Battery

11.1 Positioning the Connecting Cord

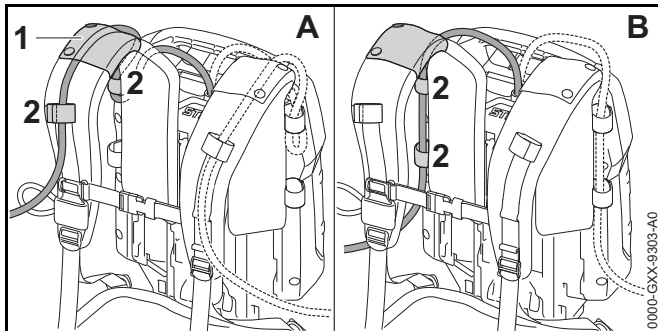
WARNING

To reduce the risk of injury from tripping on the connecting cord or losing control of the power tool, always secure the connecting cord with the hook and eye fasteners as described below. Always position and secure the connecting cord so that it will not interfere with the proper working technique as described in the instruction manual for the power tool you are using, or your ability to maintain control of the power tool.

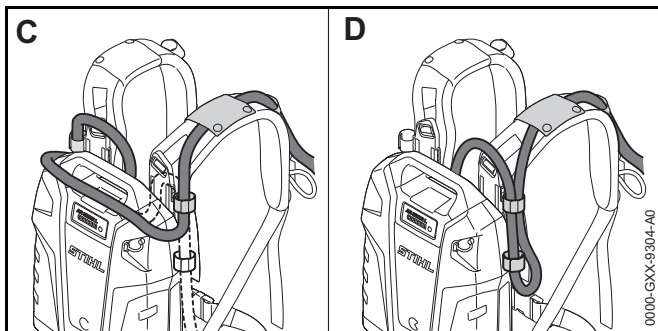
⚠ WARNING

Manage the cord to prevent it from contacting the cutting/working attachment or catching on objects, which could cause you to lose balance or control of the power tool, resulting in serious personal injury and property damage.

The connecting cord can be secured in different positions and adjusted to suit the height and reach of the operator.



The connecting cord can run through the guide (1) on the shoulder strap (Illustration A), or along the back plate (Illustration B). Secure the connecting cord to the harness with the hook and eye fasteners (2). Always secure the connecting cord using the guide or hook and eye fasteners on the side of the body on which the power tool is held and controlled. Do not allow the connecting cord to swing across your body or hang at your side.

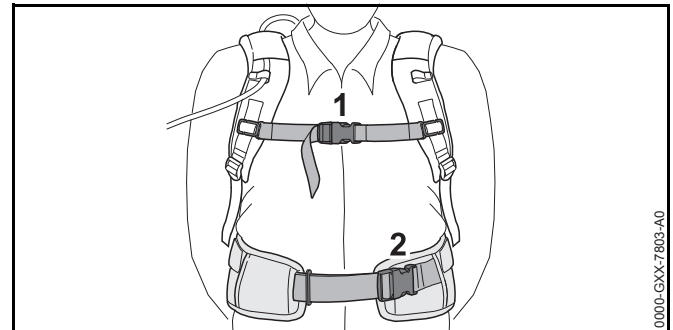


The length of the connecting cord can be adjusted by making a loop around the top (Illustration C) or on the side (Illustration D) of the backpack battery with the hook and eye fasteners.

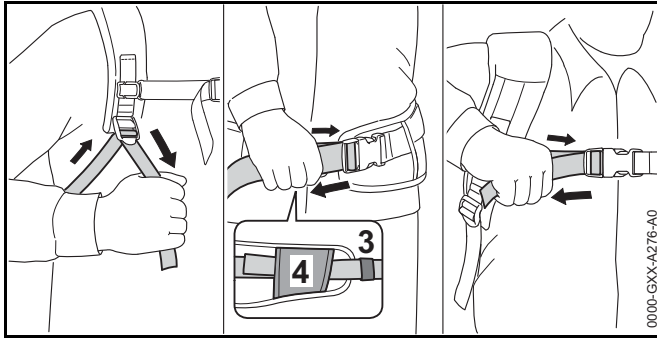
11.2 Putting on the Harness**⚠ WARNING**

The operator must be able to remove the backpack battery quickly in the event of an emergency. In an emergency, open and remove the waist belt and chest strap quickly before dropping the battery to the ground.

To ensure a proper fit:



- ▶ Put the backpack battery on your back.
- ▶ Fasten and adjust the waist belt (2) so that it rests comfortably but securely on your hips.
- ▶ Fasten the chest strap (1) and adjust it so that it fits comfortably but securely across your chest.



- ▶ Adjust the harness straps so that the back padding fits snugly and securely against your back.
- ▶ Always wear the battery harness over both shoulders.
- ▶ Thread the end of the waist belt through the loops (3) and (4).
- ▶ To remove the harness, open the quick-release fasteners on the waist belt and chest strap and loosen the harness straps by lifting the sliding adjusters.

To help reduce the risk of injury in the event of an emergency, practice quickly opening the fasteners on the waist belt and chest strap, loosening the shoulder straps and removing the battery.

NOTICE

To avoid damage, ease the battery to the ground when practicing. Do not allow the battery to drop to the ground and do not throw it.

12 Assembling the Edger

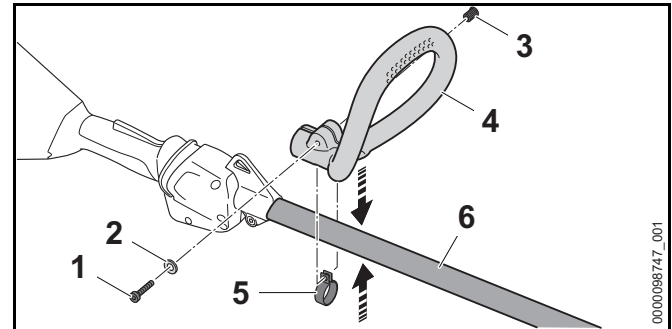
12.1 Mounting the Loop Handle

⚠ WARNING

To reduce the risk of injury from loss of control, ensure that the loop handle is properly and securely mounted before starting work.

To mount the loop handle:

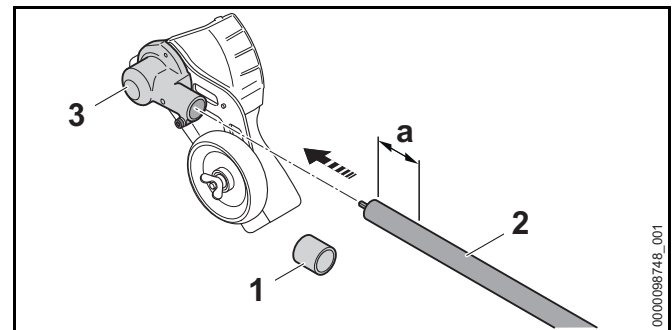
- ▶ Switch off the power tool, 15.2.
- ▶ Remove the battery, 14.2.



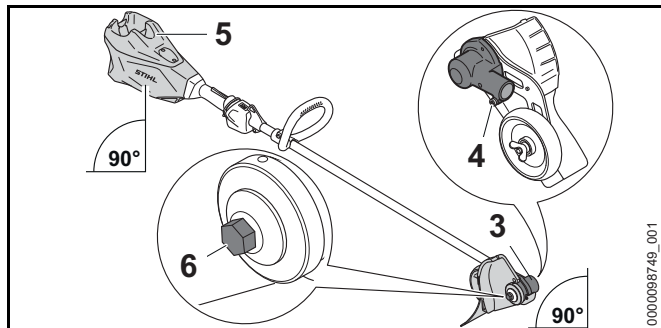
- ▶ Push the clamp (5) onto the drive tube (6) with the opening facing up.
- ▶ Push the loop handle (4) over the clamp and the drive tube.
- ▶ Attach the nut (3) to the loop handle.
- ▶ Put the washer (2) on the screw (1) and insert the screw through the hole in the loop handle and clamp.
- ▶ Tighten the screw securely. Ensure that the handle is tight and will not move during operation.

12.2 Mounting the Gearbox

- ▶ Switch off the edger, 15.2.
- ▶ Remove the battery, 14.2.



- ▶ Remove the cap (1) from the round end of the drive tube (2).
- ▶ Mark the drive tube at a = 1.5 in. (3.8 cm).
- ▶ Push the gearbox (3) onto the drive tube up to the mark a.



- ▶ Align the motor housing (5) and gearbox (3) as shown. Make sure the battery opening is facing up and the depth wheel is facing down.
- ▶ Tighten the screw (4).
- ▶ If the gearbox cannot be pushed onto the drive tube up to mark a: Turn the nut (6) that holds edger blade until you can push the gearbox on.

12.3 Mounting the Edger Blade

⚠ WARNING

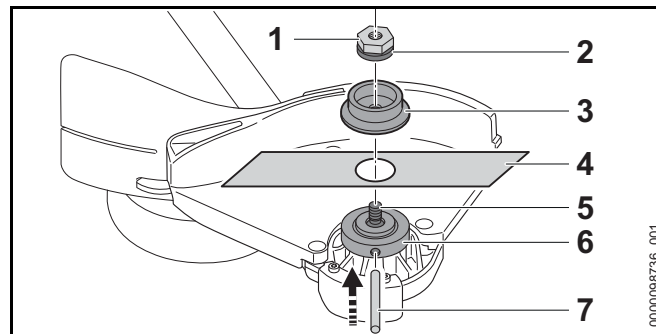
The edger blade is metal and may be sharp enough to cut you, even when it is not moving. Always wear heavy-duty work gloves when mounting or otherwise handling the edger blade, 5.5.

⚠ WARNING

An edger blade that is damaged or loose may vibrate, crack, break or come off the unit, which may result in serious or fatal injury or property damage. Make sure the edger blade is properly tightened and in good condition before starting work, 5.7.4.

To mount the edger blade:

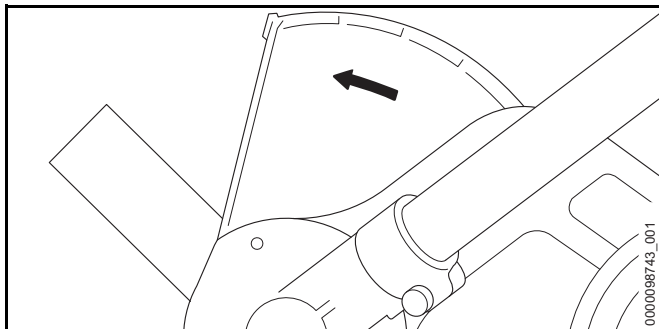
- ▶ Switch off the power tool, 15.2.
- ▶ Remove the battery, 14.2.



- ▶ Position the unit so that you are facing the underside of the deflector and the drive shaft is pointed upwards.
- ▶ Insert the stop pin (7) in the hole in the thrust plate (6) and rotate the thrust plate until the stop pin slips into position and blocks the rotation of the drive shaft.
- ▶ Unscrew the nut (1) by turning it clockwise.
- ▶ Remove the thrust washer (3).
- ▶ Place the edger blade (4) directly on top of the thrust plate.
- ▶ Slip the thrust washer onto the drive shaft.
- ▶ Screw on the nut counterclockwise with the cup spring (2) facing the thrust washer and tighten it until the edger blade is securely attached.
- ▶ Remove the stop pin from the hole in the thrust plate.

⚠ WARNING

To reduce the risk of injury from an insecure edger blade, inspect the nut and cup spring periodically. Replace them if they show signs of damage or wear.

NOTICE

Arrows on the deflector (as seen from the side) show the correct direction of rotation of the edger blade. When viewed from above, the arrow on the deflector must always point away from you, so that cuttings and other debris will be diverted away from the machine and the operator's position.

NOTICE

After mounting or removing the edger blade, always remove the stop pin used to block rotation of the drive shaft.

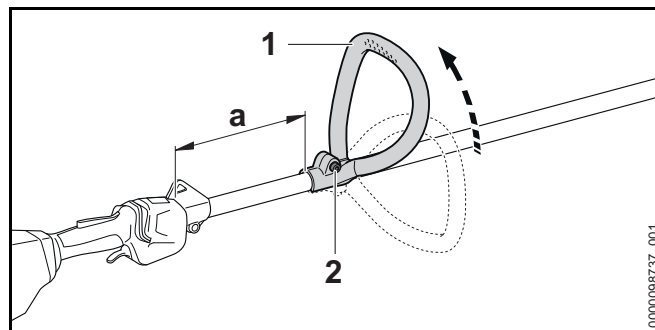
13 Adjusting the Edger

13.1 Adjusting the Loop Handle

The loop handle can be adjusted to suit the height and reach of the operator.

To adjust the position of the loop handle:

- ▶ Switch off the power tool, 15.2.
- ▶ Remove the battery, 14.2.



- ▶ Loosen the screw (2) that attaches the loop handle to the drive tube.
- ▶ Turn the loop handle (1) to the vertical position.
- ▶ Slide the loop handle to the desired position on the drive tube. The recommended distance "a" is about 6 in. (15 cm).
- ▶ Tighten the screw until the loop handle is secure and can no longer be moved along the drive tube.

14 Inserting and Removing the Battery

14.1 Inserting the Battery

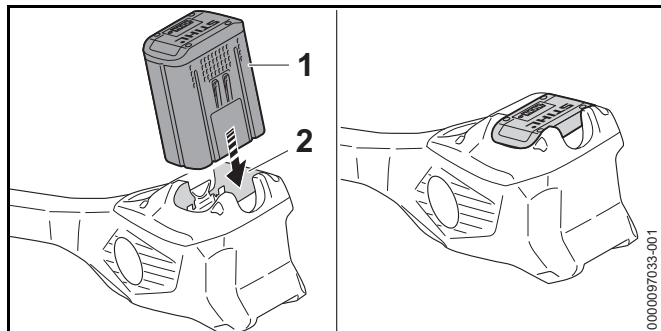
WARNING

Never use a malfunctioning, damaged, cracked, leaking or deformed battery, 7. Use and store the battery only within an ambient temperature range of 14 °F to 122 °F (- 10 °C to 50 °C), 7.


WARNING

To reduce the risk of unintended activation, never store the battery in the edger, 20.2.

To insert the battery:



- ▶ Place the edger on a level surface.
- ▶ Insert the battery (1) into the battery compartment (2) until it stops.
The battery is properly inserted when you hear an audible click and the battery is flush with the top of the housing. In this position, there is electrical contact between the battery and the edger.

Since a new battery is not fully charged, STIHL recommends that you fully charge the battery before using it the first time,  9.

14.2 Removing the Battery

WARNING

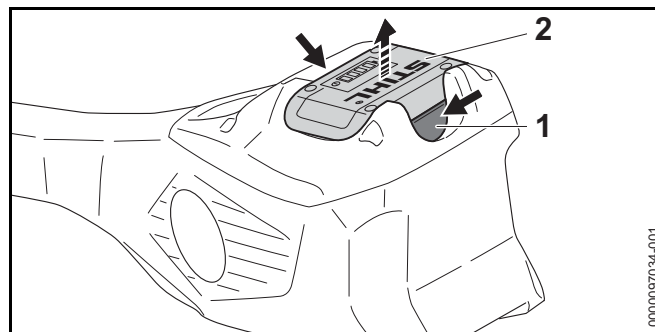
To reduce the risk of severe personal injury from unintended activation, always remove the battery before assembling, transporting, adjusting, cleaning, servicing, maintaining or storing the edger, and any other time it is not in use.

WARNING

Use care when ejecting the battery to prevent it from falling and causing personal injury or property damage.

To remove the battery:

- ▶ Release the trigger switch.
- ▶ Place the edger on a level surface.
- ▶ Position your hand behind the battery.



- ▶ Compress the locking levers (1) to eject the battery (2) from the battery compartment.



NOTICE

Avoid exposing the battery to excessive heat or prolonged periods of direct sunlight. Use or storage outside the recommended ambient temperature range can reduce the performance and/or service life of the battery.

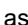
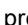
15 Switching the Edger On and Off


15.1 Switching On

WARNING

To reduce the risk of serious or fatal injuries to the operator or bystanders, keep hands, feet and other parts of the body away from the edger blade,  5.7.2. Do not touch the edger blade while the battery is inserted. Never touch the moving edger blade with your hand or any part of your body,  5.7.4.

WARNING

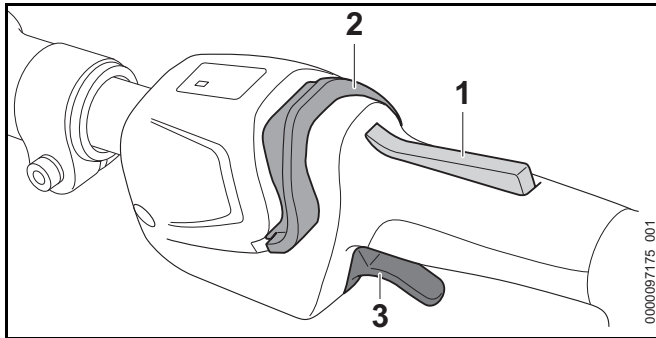
Never operate your edger if it is damaged, improperly adjusted or maintained, not completely and securely assembled or not functioning properly,  5.6. To reduce the risk of personal injury, always wear proper clothing and protective apparel, including proper eye protection,  5.5.

To reduce the risk of serious or fatal injury from loss of control, always hold the edger with both hands when you are working,  5.7.2.

Before switching on:

- ▶ Make sure you have a secure and firm footing.
- ▶ Stand upright.
- ▶ Always hold and operate the edger with your right hand firmly on the control handle and your left hand firmly on the loop handle. Always hold the edger with two hands in this manner, whether you are right-handed or left-handed.

To switch the edger on:



- ▶ Depress and hold the trigger switch lockout (1).
- ▶ While holding the trigger switch lockout, push the retaining latch (2) forward with your thumb and release it. The LEDs indicate the current power level.
- ▶ Squeeze the trigger switch (3) with your index finger. The edger blade will start moving.

You can also unlock the trigger switch by pushing the retaining latch forward and depressing the trigger switch lockout within 5 seconds (as long as the LED is flashing). Squeeze the trigger switch with your index finger to start the edger blade.

The motor will not switch on unless the trigger switch lockout is depressed, the retaining latch has been pushed forward and the trigger switch has been pressed.

If the trigger switch and the trigger switch lockout are released, the LEDs will remain flashing for approximately 5 seconds. As long as the LEDs are flashing, the edger can again be switched on without pushing the retaining latch forward.

The further the trigger switch is squeezed, the faster the edger blade will rotate.

15.2 Switching Off

WARNING

The edger blade will continue to move for a short while after the trigger switch is released. To avoid serious or fatal injury, avoid contact with the moving edger blade. Ensure the edger blade has stopped before lifting the edger off the ground or walking with it. To reduce the risk of personal injury from unintended activation or unauthorized use, switch off the motor, ensure the edger blade has stopped and remove the battery before transporting the unit or putting it down.

To switch the edger off:

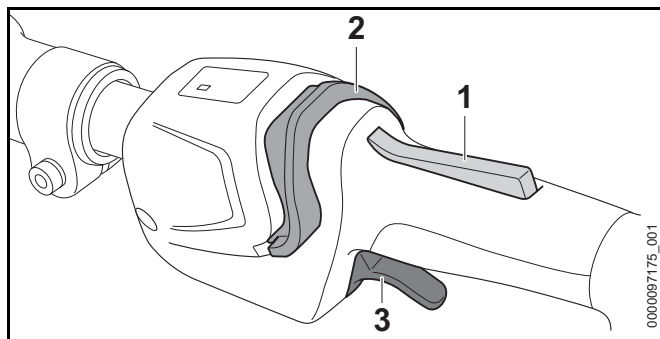
- ▶ Release the trigger switch and trigger switch lockout so that the trigger switch springs back to the locked position. In the locked position, activation of the trigger switch is blocked by the trigger switch lockout. Activation of the edger is also electronically blocked by the retaining latch once the LEDs stop flashing (after approximately 5 seconds).

The edger blade will continue to move for a short time after the trigger switch is released. Take care to avoid contact after releasing the trigger switch and when setting down the edger.

16 Checking the Power Tool

16.1 Testing the Controls

Before starting work, confirm that the trigger switch lockout (1), retaining latch (2) and trigger switch (3) are undamaged and functioning properly:



Trigger Switch Lockout (1), Retaining Latch (2) and Trigger Switch (3)

⚠ WARNING

To reduce the risk of serious or fatal injuries, keep hands, feet and other parts of the body away from the edger blade. Do not touch the edger blade while the battery is inserted. Never touch the moving edger blade with your hand or any part of your body, 5.7.2. Keep bystanders at least 50 ft. (15 m) away while testing the controls.

To test the controls:

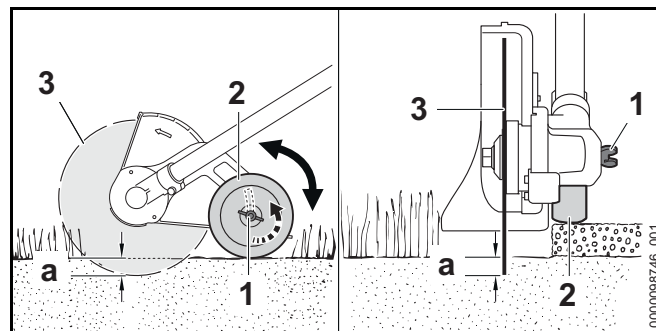
- ▶ Remove the battery.
- ▶ Attempt to depress the trigger switch.
If the trigger switch can be depressed without first depressing the trigger switch lockout, take the edger to an authorized STIHL servicing dealer to be repaired before use.
- ▶ Press down on the trigger switch lockout and push the retaining latch forward. Make sure they move freely and spring back into place when released.
- ▶ Insert the battery.
- ▶ Hold the power tool firmly with both hands, your fingers wrapped tightly around the handles. Depress and hold the trigger switch lockout, push the retaining latch forward with your thumb and squeeze the trigger switch with your index finger.
The edger should switch on. If it does not, take the edger to an authorized STIHL servicing dealer to be repaired before use.

- ▶ Release the trigger switch.
The edger should switch off.

If the edger does not switch off after you release the trigger switch, remove the battery and take the edger to an authorized STIHL servicing dealer to be repaired before use.

17 During Operation

17.1 Adjusting the Cutting Depth






To adjust the cutting depth:



- ▶ Switch off the power tool and remove the battery.
- ▶ Loosen the wingnut (1).
- ▶ Push the depth wheel (2) upwards to increase the depth of cut (a) or downwards to reduce the depth of cut.
- ▶ STIHL recommends adjusting the depth wheel so that the edger blade (3) just touches the ground or breaks the surface of the soil by no more than 0.2 in. (5 mm).
- ▶ Tighten the wingnut.
- ▶ Check the depth of cut while standing in the normal working position and correct it if necessary.

17.2 Using the Edger

⚠ WARNING

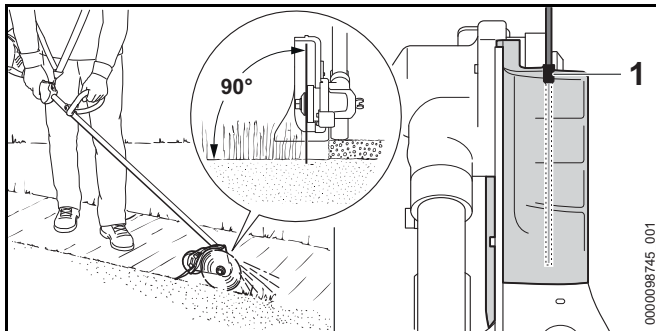
Always wear proper clothing and protective apparel, including proper eye protection, when operating your edger,  5.5. Keep bystanders at least 50 ft. (15 m) away from the work area,  5.7.4. Work carefully and maintain proper control of the edger,  5.7.2.

⚠ WARNING

To reduce the risk of serious or fatal injuries to the operator or bystanders, keep hands, feet and other parts of the body away from the edger blade,  5.7.2. Ensure the edger blade has stopped before lifting the edger off the ground or walking with it. Do not touch the edger blade while the battery is inserted into the edger. Never touch the moving edger blade with your hand or any part of your body,  5.7.4. Your edger comes with the deflector and skirt properly mounted. Do not modify the deflector or skirt.

The edger is designed for two-handed operation.

- ▶ If the work area is very dry, spray it lightly with water. This softens the soil and ensures that less dust is created.
- ▶ Clear away all obstacles and solid objects from the work area before starting work.



- ▶ Start cutting at no less than half throttle and continue cutting with the trigger switch fully depressed.
- ▶ Hold and guide your power tool so that the blade is aligned vertically (90°) to the ground.

- ▶ Push the edger forward slowly, keeping your right hand on the rear handle and your left hand on the loop handle at all times. Operate at no more than a normal walking pace, and never pull the unit towards you.
- ▶ Cut slowly and steadily to avoid bogging down the motor and having to make multiple passes.
- ▶ Let the tool do the work. Do not force the edger blade into the ground.
- ▶ Use the gunning sight (1) to line the edger blade up with the edge of the bed.

Observe all applicable laws, regulations, standards and ordinances.



18 After Finishing Work

18.1 Preparing for Transportation or Storage

⚠ WARNING

To reduce the risk of personal injury from unintended activation or unauthorized use, switch off the motor, ensure the edger blade has stopped and remove the battery before transporting the edger or putting it down.

To prepare the edger for transportation or storage:

- ▶ Switch off the edger,  15.2.
- ▶ Remove the battery,  14.2.
- ▶ If the edger or battery became wet during operation, allow it to dry completely before charging or storing.



19 Transporting the Edger and Battery

19.1 Edger

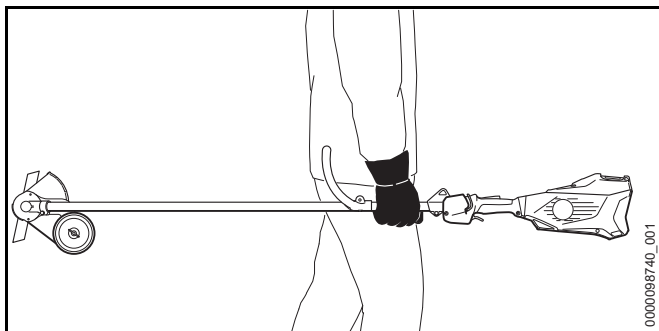
⚠ WARNING

To reduce the risk of personal injury from unintended activation, never transport the edger with the battery inserted.

⚠ WARNING


To reduce the risk of injury from loss of control and blade contact, never carry or transport your edger with the edger blade moving,  5.7.4. Ensure the edger blade has stopped before lifting the edger off the ground or walking with it,  5.7.4.

When transporting the edger:



- ▶ When transporting the edger by hand, hold the drive tube so that the unit remains parallel to the ground. Keep the edger blade pointing backwards, opposite the direction in which you are walking.
- ▶ When transporting the edger in a vehicle, secure and position it to prevent turnover, impact and damage.

19.2 Battery**⚠ WARNING**

To reduce the risk of a short circuit, which could lead to electric shock, fire and explosion, never transport the battery in a metal container or near metal objects (e.g., paper clips, nails, coins, keys),  7.

When transporting the battery:

- ▶ Place the battery in a non-metal container or carton and secure it against impact or damage. Never transport the battery in a metal or other container that is capable of conducting electricity, or near metal objects (e.g., paper clips, nails, coins, keys).
- ▶ If you are transporting the battery in a vehicle, secure it and its container to prevent turnover, impact and damage.



STIHL batteries comply with the requirements set forth in UN-Manual ST/SG/AC.10/11/Rev.5/Part III, Subsection 38.3.

Commercial air, vessel and ground transportation of lithium ion cells and batteries is regulated. The battery is classified as a UN 3480, Class 9, packaging group II product. Shipping it, either as a complete tool or the battery, requires compliance with all applicable shipping regulations. Check with the ground, vessel, air cargo or passenger airline to determine if transport is prohibited or subject to restrictions or exemptions prior to shipping or travel.

Normally, no further conditions have to be met by the user in order to transport STIHL batteries by road to the power tool's operating site. Check and comply with any special regulations that may apply to your situation.

For further information please go to www.stihlusa.com/battery-transportation-safety.


20 Storing the Edger and Battery**20.1 Edger****⚠ WARNING**

Store the edger indoors in a dry, secure place that is inaccessible to children and other unauthorized users,  6. Improper storage can result in unauthorized use and damage to the edger,  6.



⚠ WARNING

To reduce the risk of unintended activation, never store the edger with the battery inserted. Always remove the battery before storing.



When storing the edger:

- ▶ Remove, clean and inspect the edger blade. Coat with corrosion inhibitor.
- ▶ Clean the edger,  21.1.
- ▶ Store the edger indoors in a dry and secure location, out of the reach of children and other unauthorized persons.

20.2 Battery**⚠ WARNING**

To reduce the risk of a short circuit, which could lead to electric shock, fire and explosion, never store the battery in a metal container or near metal objects,  7. If the battery is damp or wet, allow it to dry thoroughly before storing,  7.

⚠ WARNING


Extreme temperatures can damage the battery and may also cause the battery to generate heat, rupture, leak, ignite or explode, resulting in severe or fatal personal injury or property damage. Use and store the battery only within an ambient temperature range of 14 °F to 122 °F (- 10 °C to 50 °C),  7. Never store the battery in direct sunlight or inside a vehicle in hot weather,  7.

To properly store the battery:

- ▶ Remove the battery from the edger or the charger.
- ▶ Make sure the battery is dry and store it indoors in a dry and secure location.
- ▶ Keep it out of the reach of children and other unauthorized persons.
- ▶ Protect the battery against dampness and corrosive agents such as garden chemicals and de-icing salts.
- ▶ Protect the battery from exposure to conductive liquids such as salt water.

- ▶ For maximum battery life, store the battery at an ambient temperature between 50 °F and 68 °F (10 °C and 20 °C) with a charge between 40 % and 60 % (2 green LEDs).
- ▶ Do not leave spare batteries unused. Use them in rotation.

21 Cleaning**21.1 Cleaning the Edger and Battery****⚠ WARNING**



To reduce the risk of personal injury from unintended activation, remove the battery before carrying out any cleaning work,  6. Users of this edger should carry out only the cleaning described in this manual.

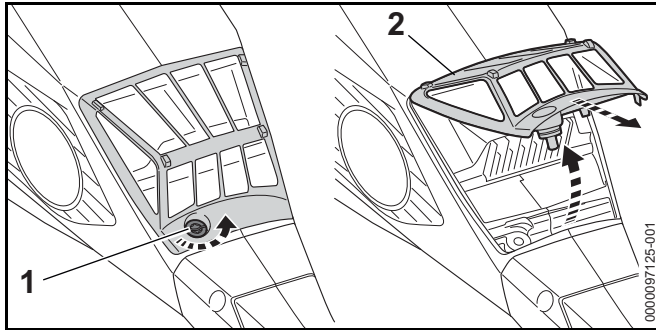
To clean the edger and battery:

- ▶ Clean the power tool's polymer components with a slightly dampened cloth. Do not use detergents or solvents. They may damage the polymer components.
- ▶ Do not use a pressure washer to clean the edger or otherwise spray it with water or other liquids.
- ▶ Keep the battery housing and guides free from foreign matter and clean as necessary with a soft brush or soft, dry cloth.

21.2 Cleaning the Air Filter

To clean the air filter:

- ▶ Switch off the power tool,  15.2.
- ▶ Remove the battery,  14.2.






- ▶ Clean the area around the air filter (2) with a damp cloth or soft brush.
- ▶ Turn the screw (1) counterclockwise until the air filter can be removed.
- ▶ Remove the air filter by lifting it up and pulling it off.
- ▶ Rinse away coarse dirt from the outside of the air filter under running water. Never spray the air filter with a pressure washer.
- ▶ If the air filter is damaged, replace it.
- ▶ Allow the air filter to air dry.
- ▶ After the air filter has dried thoroughly, push it into place by hand.
- ▶ Tighten the screw.

22 Inspection and Maintenance


22.1 Inspection and Maintenance Chart

Always remove the battery before carrying out any inspection, cleaning or maintenance.

The following maintenance intervals are examples and apply for normal operating conditions. Actual use and your experience will determine the frequency of required inspection and maintenance.		Before starting work	After finishing work or daily	Every 50 working hours	Relevant Chapter
Complete Machine	Visual inspection	X			
	Clean		X		 21
Controls	Check function and condition	X			 16.1
Wear Guard	Check condition	X			
Edger Blade	Visual inspection	X	X		
	Check tightness	X			
Air Filter	Clean			X	 21.2

22.2 Inspecting and Maintaining the Edger

WARNING

To reduce the risk of personal injury from unintended activation, remove the battery before inspecting the edger or carrying out any maintenance,  6. Carry out only the maintenance operations described in this manual. There are no user-authorized repairs. STIHL recommends that repair work be performed by authorized STIHL servicing dealers.

To properly maintain the edger:



- ▶ Replace a worn or damaged edger blade.
- ▶ Inspect the wear guard periodically and have a worn wear guard replaced by an authorized STIHL servicing dealer.
- ▶ Have a worn skirt, deflector or depth wheel replaced by an authorized STIHL servicing dealer.

- ▶ Have worn, missing or damaged safety labels replaced by an authorized STIHL servicing dealer.

If you make a warranty claim for a component that has not been serviced or maintained properly, coverage may be denied.

22.3 Inspecting and Maintaining the Edger Blade

WARNING

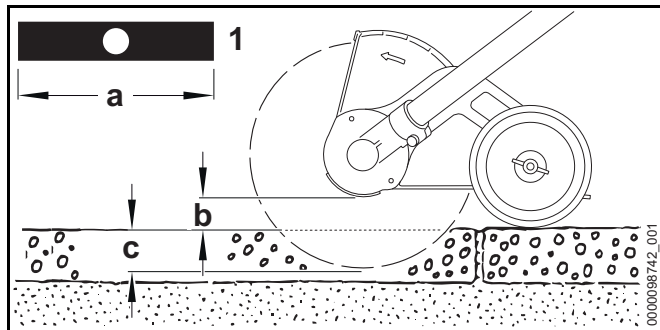
To reduce the risk of personal injury from unintended activation, remove the battery before inspecting the edger blade or carrying out any maintenance,  6. To help prevent injuries, always wear heavy-duty work gloves when handling the edger or its blade,  5.5.

⚠ WARNING

Do not attempt to straighten or weld a bent or cracked edger blade. If the blade is damaged it must be replaced.

⚠ WARNING

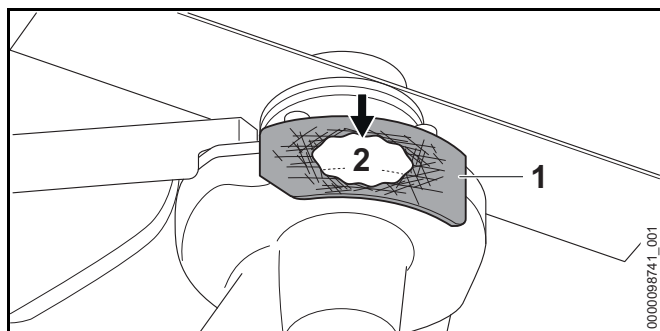
If the edger vibrates abnormally, have the edger blade checked by an authorized STIHL servicing dealer. It must be replaced if it is out of balance.



- ▶ Replace the edger blade (1) if its length (a) is no longer sufficient to maintain the necessary ground clearance (b) and achieve the required depth of cut (c).
- ▶ Do not sharpen the edger blade.

22.4 Inspecting and Maintaining the Wear Guard

- ▶ Switch off the edger and remove the battery.



- ▶ Check that the wear guard (1) is not completely worn.

- ▶ Have a worn or damaged wear guard replaced by an authorized STIHL servicing dealer before the gearbox (2) becomes visible.








NOTICE

If a worn wear guard is not replaced in time, serious damage to the gearbox can result.

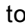

23 Troubleshooting Guide

23.1 Edger and Battery

Always remove the battery before carrying out any inspection, cleaning or maintenance.

Condition	LEDs on Battery	Cause	Remedy
Edger does not start when switched on.		No electrical contact between edger and battery.	<ul style="list-style-type: none"> ▶ Remove the battery,  14.2. ▶ Visually check the electrical contacts in the battery compartment and on the battery. ▶ Reinsert the battery,  14.1.
	1 LED flashes green. STIHL AR Series: four long beeps are emitted (AR L - six beeps).	Battery has low charge.	<ul style="list-style-type: none"> ▶ Charge the battery,  9.
	1 LED glows red.	Battery too hot / too cold.	<ul style="list-style-type: none"> ▶ Allow the battery to warm up or cool down gradually at ambient temperatures of about 50 °F to 68 °F (10 °C to 20 °C).
	4 LEDs flash red. STIHL AR Series: Additionally, a rapid succession of short beeps is emitted.	Malfunction in battery.	<ul style="list-style-type: none"> ▶ Remove the battery and reinsert it,  14. ▶ Switch on the edger,  15.1. ▶ If the LEDs continue to flash, do not attempt to use. The battery has a malfunction and must be replaced.
	3 LEDs glow red.	Edger too hot.	<ul style="list-style-type: none"> ▶ Allow the edger to cool down.
	3 LEDs flash red.	Malfunction in edger.	<ul style="list-style-type: none"> ▶ Remove the battery and reinsert it,  14 ▶ Switch on the edger,  15.1. ▶ If the LEDs still flash, do not attempt to use. The edger has a malfunction and must be checked by a servicing dealer.

Always remove the battery before carrying out any inspection, cleaning or maintenance.

Condition	LEDs on Battery	Cause	Remedy
		The trigger switch was already depressed before operating the retaining latch.	▶ Switch on the edger as described in this instruction manual.
Edger cuts out during operation.	1 LED glows red.	Battery too hot / too cold.	▶ Remove the battery,  14.2. ▶ Allow the edger and battery to cool down gradually at ambient temperatures of about 50 °F to 68 °F (10 °C to 20 °C).
	3 LEDs glow red.	Edger too hot.	
Run-time is too short.		Battery not fully charged.	▶ Charge the battery,  9.
		Useful life of battery has been reached or exceeded.	▶ Have the battery checked by an authorized STIHL servicing dealer.
Battery is not being charged even though LED on charger glows green.	1 LED glows red.	Battery too hot / too cold.	▶ Allow the battery to warm up or cool down gradually at ambient temperatures of about 50 °F to 68 °F (10 °C to 20 °C). ▶ Operate the charger only in enclosed, dry rooms at ambient temperatures of 41 °F to 104 °F (5 °C to 40 °C).

24 Specifications

24.1 STIHL FCA 140

- Approved battery types:
 - STIHL AP series
 - STIHL AR series
- Weight without cutting attachment: 12.3 lbs. (5.6 kg)
- Length: 74 in. (1880 mm)

For technical information regarding the STIHL AP and AR / AR L series batteries, see the product information accompanying your battery.

For technical information regarding the STIHL AL 101, 300 and 500 series chargers, see the product information accompanying your charger.

Batteries, chargers and other accessories sold separately. Contact your authorized STIHL servicing dealer for pricing and availability.

24.2 Authorized Edger Blades

Marking "4133/01"

- Length: 7.9 in. (200 mm)
- Thickness: 0.09 in. (2.4 mm)

Marking "4133/02"

- Length: 7.9 in. (200 mm)
- Thickness: 0.15 in. (3.8 mm)

24.3 Symbols on the Power Tool, Deflector and Battery

Symbol	Explanation
V	Volt
Hz	Hertz
A	Ampere
Ah	Ampere hour
W	Watt
Wh	Watt hour
AC	Alternating current
IP20	Degree of electrical protection



Power symbol on the retaining latch.



Symbol on the deflector showing proper direction of rotation for the cutting attachment.



Rated speed of the cutting attachment.



Number of cells and stored energy according to cell manufacturer's specification. Usable energy will be less.



STIHL products must not be disposed of in the household trash, but only in accordance with local, state and federal laws and regulations and as provided in this manual, 27.



The RBRC seal indicates that STIHL has prepaid for battery recycling

24.4 Engineering Improvements

STIHL's philosophy is to continually improve all of its products. As a result, engineering changes and improvements are made from time to time. Therefore, some changes, modifications and improvements may not be covered in this manual. If the operating characteristics or the

appearance of your machine differs from those described in this manual, please contact your STIHL dealer or the STIHL distributor in your area for assistance.

24.5 FCC 15 Compliance Statement

This device complies with part 15 of the FCC Rules.

Operation is subject to the following two conditions:

- this device may not cause harmful interference.
- this device must accept any interference received, including interference that may cause undesired operation.

Note: This equipment has been tested and found to comply with the limits for a Class B digital device, pursuant to part 15 of the FCC Rules. These limits are designed to provide reasonable protection against harmful interference in a residential installation. This equipment generates, uses and can radiate radio frequency energy and, if not installed and used in accordance with the instructions, may cause harmful interference to radio communications. However, there is no guarantee that interference will not occur in a particular installation.

If this equipment does cause harmful interference to radio or television reception, which can be determined by turning the equipment off and on, the user is encouraged to try to correct the interference by one or more of the following measures:

- reorient or relocate the receiving antenna,
- increase the separation between the equipment and receiver,
- connect the equipment to an outlet on a circuit different from that to which the receiver is connected,
- consult an authorized STIHL servicing dealer or an experienced radio/TV technician for help.

Do not change or modify this product in any way unless specifically allowed in this manual, since this could void your authority to operate it.

25 Approved Harness Combinations

25.1 Harness Combinations

WARNING

The operator must be able to remove the harness quickly in the event of an emergency. To reduce the risk of injury in an emergency:

- ▶ Practice removing and putting down the power tool as you would in an emergency. To avoid damage, do not throw the power tool to the ground when practicing.
- ▶ Use only one of the allowed harness options. Do not combine different harnesses or other harness combinations when using your power tool.

The following harnesses are available for your edger:



Shoulder Strap



Full Harness



STIHL Battery Belt with STIHL AP Battery Bag with Connecting Cord in combination with the Shoulder Strap



STIHL Battery Belt with STIHL AP Battery Bag with Connecting Cord in combination with the Shoulder Harness and Hip Pad




STIHL AR Backpack Battery in combination with Hip Pad



STIHL Battery Backpack in combination with Hip Pad

26 Replacement Parts and Equipment

26.1 Genuine STIHL Replacement Parts

STIHL recommends the use of genuine STIHL replacement parts. Genuine STIHL parts can be identified by the STIHL part number, the **STIHL** logo and, in some cases, by the STIHL parts symbol . The symbol may appear alone on small parts.

27 Disposal

27.1 Disposal of the Power Tool

STIHL products must not be thrown in household trash or disposed of except as outlined in this manual.

- ▶ Take the power tool, accessories and packaging to an approved disposal site for environmentally friendly recycling.
- ▶ Contact your authorized STIHL servicing dealer for the latest information on disposal and recycling.

27.2 Battery Recycling

WARNING

Handle discharged/depleted batteries carefully. Even if believed to be discharged, lithium ion batteries may never totally discharge and still may deliver a dangerous short

circuit current. If damaged or exposed to extreme temperatures, they may leak, generate heat, catch fire or explode.

- ▶ Observe all federal, state and local disposal rules and regulations.
- ▶ Contact your authorized STIHL servicing dealer for the latest information on waste disposal.
- ▶ Recycle depleted batteries promptly.
- ▶ Keep batteries away from children. Do not disassemble and do not dispose of in fire.



STIHL is committed to the development of products that are environmentally responsible. This commitment does not stop when the product leaves the authorized STIHL servicing dealer. STIHL has partnered with the RBRC (Rechargeable Battery Recycling Corporation) to promote the collection and recycling of spent STIHL lithium ion batteries in the United States and Canada.

The RBRC seal indicates that STIHL has prepaid for battery recycling. RBRC has a toll free phone number (1-800-822-8837) that connects you to information on battery recycling locations and information on battery disposal bans or restrictions in your area. You can also return your spent battery to any authorized STIHL servicing dealer for recycling free of charge.

28 Limited Warranty

28.1 STIHL Incorporated Limited Warranty Policy

This product is sold subject to the STIHL Incorporated Limited Warranty Policy, available at www.stihlusa.com/warranty.html. It can also be obtained from your authorized STIHL dealer or by calling 1-800-GO-STIHL (1-800-467-8445).

28.2 STIHL Incorporated CALIFORNIA ZERO EMISSIONS CONTROL WARRANTY STATEMENT

For California only

YOUR WARRANTY RIGHTS AND OBLIGATIONS

The California Air Resources Board (CARB) and STIHL Incorporated are pleased to explain the emissions control system warranty on your 2021 and later small off-road zero emission equipment motor.

In California, new equipment that uses small off-road zero emission equipment motors must be designed, built, and equipped to meet the State's stringent anti-smog standards. STIHL Incorporated must warrant the emissions control system on your small off-road zero emission equipment motors for the periods of time listed below provided there has been no abuse, neglect or improper maintenance of your small off-road motor or equipment leading to the failure of the emissions control system.

Your emissions control system may include parts such as the zero emission equipment motor, motor controller, battery and battery charger.

Where a warrantable condition exists, STIHL Incorporated will repair your small off-road zero emission equipment motor at no cost to you including diagnosis, parts, and labor.

MANUFACTURER'S WARRANTY RESPONSIBILITIES

The emissions control system on your small off-road equipment motor is warranted for two years. If any emission-related part on your small off-road zero emission equipment motor is defective, the part will be repaired or replaced by STIHL Incorporated free of charge.

OWNER'S WARRANTY RESPONSIBILITIES

As the small off-road zero emission equipment motor owner, you are responsible for the performance of the required maintenance listed in your instruction manual. STIHL Incorporated recommends that you retain all receipts covering maintenance on your small off-road zero emission equipment motor, but STIHL Incorporated cannot deny

warranty coverage solely for the lack of receipts or for your failure to ensure the performance of all scheduled maintenance.

As the small off-road zero emission equipment motor owner, you should however be aware that STIHL Incorporated may deny you warranty coverage if your small off-road zero emission equipment motor or a part has failed due to abuse, neglect, improper maintenance or unapproved modifications.

You are responsible for presenting your small off-road zero emission equipment motor to an authorized STIHL dealer as soon as a problem exists. The warranty repairs should be completed in a reasonable amount of time, not to exceed 30 days.

If you have any questions regarding your warranty rights and responsibilities, please contact a STIHL customer service representative at 1-800-467-8445 or you can write to

STIHL Incorporated
536 Viking Drive
P.O. Box 2015
Virginia Beach, VA
23452-2015
www.stihlusa.com

COVERAGE BY STIHL INCORPORATED

STIHL Incorporated warrants to the ultimate purchaser and each subsequent purchaser that your small off-road zero emission equipment motor is designed, built and equipped, at the time of sale, to meet all applicable emission regulations.

STIHL Incorporated also warrants to the initial purchaser and each subsequent purchaser that your zero emission equipment motor is free from defects in materials and workmanship which cause the your zero emission equipment motor to fail to conform to applicable emission regulations for a period of two years.

DEFECTS WARRANTY PERIOD

The warranty periods will begin on the date the utility zero emission equipment motor is purchased by the initial purchaser. If any emission-related part on your zero emission equipment motor is defective, the part will be replaced by STIHL Incorporated at no cost to the owner.

Add-on or modified parts that are not exempted by CARB may not be used. The use of any non-exempted add-on or modified parts will be grounds for disallowing a warranty claim. STIHL Incorporated will not be liable to warrant failures of warranted parts caused by the use of a non-exempted add-on or modified part.

The warranty on emissions-related parts will be interpreted as follows:

- 1) Any warranted part that is not scheduled for replacement as required maintenance in the written instructions required in the Emission Warranty Parts List (see below) must be warranted for the warranty period defined in Subsection COVERAGE BY STIHL INCORPORATED, see above. If any such part fails during the period of warranty coverage, it must be repaired or replaced by the manufacturer according to Subsection (4) below. Any such part repaired or replaced under the warranty must be warranted for the remaining warranty period.
- 2) Any warranted part that is scheduled only for regular inspection in the written instructions required by the Emission Warranty parts List (see below) must be warranted for the warranty period defined in Subsection COVERAGE BY STIHL INCORPORATED, see above. A statement in such written instructions to the effect of "repair or replace as necessary" will not reduce the period of warranty coverage. Any such part repaired or replaced under warranty must be warranted for the remaining period.
- 3) Any warranted part that is scheduled for replacement as required maintenance in the written instructions required by the Emission Warranty Parts List (see below) must be warranted for the period of time prior to the first scheduled replacement point for that part. If the part fails prior to the first scheduled replacement, the part must be repaired or replaced by the zero emission equipment motor manufacturer according to Subsection (4) below. Any

such part repaired or replaced under warranty must be warranted for the remainder of the period prior to the first scheduled replacement point for the part.

- 4) Repair or replacement of any warranted part under the warranty must be performed at a warranty station at no charge to the owner.
- 5) Notwithstanding the provisions of Subsection (4) above, warranty services or repairs will be provided at all manufacturer distribution centers that are authorized to service the subject zero emission equipment motor.
- 6) The owner must not be charged for diagnostic labor that leads to the determination that a warranted part is in fact defective, provided that such diagnostic work is performed at a warranty station.

WARRANTY WORK

STIHL Incorporated shall remedy warranty defects at any authorized STIHL dealer or warranty station. Any such work shall be free of charge to the owner if it is determined that a warranted part is defective. Any manufacturer approved or equivalent replacement part may be used for any warranty maintenance or repairs on emission-related parts and must be provided without charge to the owner. STIHL Incorporated is liable for damages to other zero emission equipment motor components caused by the failure of a warranted part still under warranty.

EMISSION WARRANTY PARTS LIST

Motor, Battery, Battery Charger, Motor Controller

WHERE TO MAKE A CLAIM FOR WARRANTY SERVICE

Bring the STIHL product to any authorized STIHL dealer.

LIMITATIONS

The repair or replacement of any warranted part otherwise eligible for warranty coverage may be excluded from such warranty coverage if STIHL Incorporated demonstrates that the STIHL product has been abused, neglected, or improperly maintained, and that such abuse, neglect, or improper maintenance was the direct cause of the need for repair or replacement of the part. That notwithstanding, any

adjustment of a component that has a factory installed, and properly operating, adjustment limiting device is still eligible for warranty coverage.

29 Trademarks

29.1 Registered Trademarks

STIHL®

STIHL®



The color combination orange-grey (U.S. Registrations #2,821,860; #3,010,057, #3,010,058, #3,400,477; and #3,400,476)

AutoCut®

YARD BOSS®

STIHL ROLLOMATIC®

WOOD BOSS®



FARM BOSS®

iCademy®

MAGNUM®

MasterWrench Service®

MotoMix®

OILOMATIC®

ROCK BOSS®

STIHL Cutquik®

STIHL DUROMATIC®

STIHL Quickstop®



STIHL WOOD BOSS®

TIMBERSPORTS®



29.2 Common Law Trademarks

4-MIX™	HT Plus™
BioPlus™	STIHL PowerSweep™
Easy2Start™	STIHL Protech™
EasySpool™	STIHL MiniBoss™
ElastoStart™	STIHL MotoPlus 4™
Ematic™	Master Control Lever™
STIHL Precision Series™	STIHL OUTFITTERS™
FixCut™	STIHL PICCO™
Micro™	TrimCut™
Pro Mark™	STIHL M-Tronic™

Quad Power™	STIHL HomeScaper Series™
Quiet Line™	STIHL PolyCut™
STIHL Arctic™	STIHL RAPID™
STIHL Compact™	STIHL SuperCut™
STIHL Interchangeable Attachment Series™	STIHL Multi-Cut HomeScaper Series™
TapAction™	STIHL Territory™
	

This listing of trademarks is subject to change.

Any unauthorized use of these trademarks without the express written consent of ANDREAS STIHL AG & Co. KG, Waiblingen is strictly prohibited.

30 Addresses

30.1 STIHL Incorporated

STIHL Incorporated
 536 Viking Drive
 P.O. Box 2015
 Virginia Beach, VA
 23452-2015

Contenido

1	Introducción	44	11.1	Colocación del cordón de conexión en posición	65
2	Acerca de este manual de instrucciones	45	11.2	Colocación del arnés	66
2.1	Palabras identificadoras	45	12	Armado de la orilladora	67
2.2	Símbolos en el texto	45	12.1	Montaje del mango circular	67
3	Componentes importantes	45	12.2	Montaje de la caja de engranajes	67
3.1	Corta orillas y batería	45	12.3	Montaje de la cuchilla de la corta orillas	68
4	Símbolos de seguridad en los productos	46	13	Ajuste de la corta orillas	69
4.1	Corta Orillas	46	13.1	Ajuste del mango circular	69
4.2	Batería	47	14	Colocación y extracción de la batería	69
5	INSTRUCCIONES IMPORTANTES DE SEGURIDAD	48	14.1	Colocación de la batería	69
5.1	Advertencias e instrucciones de seguridad generales	48	14.2	Extracción de la batería	70
5.2	Introducción	49	15	Encendido y apagado de la corta orillas	70
5.3	Uso previsto	49	15.1	Encendido	70
5.4	Operador	50	15.2	Apagado	71
5.5	Equipos de protección personal	50	16	Comprobación de la herramienta motorizada	71
5.6	Corta Orillas	51	16.1	Prueba de los controles	71
5.7	Uso de la orilladora	52	17	Durante el funcionamiento	72
6	Mantenimiento, reparación y almacenamiento	58	17.1	Ajuste de profundidad de corte	72
6.1	Advertencias e instrucciones	58	17.2	Uso de la orilladora	73
7	Seguridad de la batería	59	18	Después de completar el trabajo	74
7.1	Advertencias e instrucciones	59	18.1	Preparativos para el transporte o el almacenamiento	74
8	Antes de empezar a trabajar	61	19	Traslado de la corta orillas y batería	74
8.1	Preparación de la corta orillas para el uso	61	19.1	Corta Orillas	74
9	Carga de la batería	61	19.2	Batería	74
9.1	Preparación del cargador para el funcionamiento	61	20	Almacenamiento de la corta orillas y de la batería ...	75
9.2	Carga	62	20.1	Corta Orillas	75
10	Diagnóstico por LED y señales acústicas	63	20.2	Batería	75
10.1	Batería AP de STIHL	63	21	Limpieza	76
10.2	Batería de mochila STIHL AR	64	21.1	Limpieza de la corta orillas y de la batería	76
11	Batería de mochila STIHL AR	65	21.2	Limpieza del filtro de aire	76
			22	Inspección y mantenimiento	77
			22.1	Tabla de inspección y mantenimiento	77

STIHL

Este manual de instrucciones está protegido por derechos de propiedad intelectual. Todos los derechos reservados, especialmente los derechos de reproducción, traducción y procesamiento con sistemas electrónicos.

22.2 Inspección y mantenimiento de la corta orillas.....	77
22.3 Inspección y mantenimiento de la cuchilla de corta orillas	77
22.4 Inspección y mantenimiento del protector de desgaste	78
23 Guía de solución de problemas.....	79
23.1 Corta orillas y batería	79
24 Especificaciones	81
24.1 STIHL FCA 140.....	81
24.2 Cuchillas de corta orillas autorizadas.....	81
24.3 Símbolos de la herramienta motorizada, del deflector y de la batería	81
24.4 Mejoramientos técnicos	81
24.5 Declaración de cumplimiento con norma FCC 15	82
25 Combinaciones de arnés aprobadas.....	83
25.1 Combinaciones de arnés.....	83
26 Piezas y equipos de repuesto	83
26.1 Piezas de repuesto originales de STIHL.....	83
27 Eliminación	83
27.1 Desecho de la herramienta motorizada.....	83
27.2 Reciclado de las baterías	84
28 Garantía limitada	84
28.1 Política de garantía limitada de STIHL Incorporated	84
28.2 DECLARACIÓN DE GARANTÍA DE STIHL Incorporated SOBRE SISTEMAS DE CONTROL DE EMISIONES SEGÚN NORMAS DE CALIFORNIA.....	84
29 Marcas comerciales	87
29.1 Marcas comerciales registradas.....	87
29.2 Marcas comerciales por ley común.....	87
30 Direcciones	87
30.1 STIHL Incorporated	87

1 Introducción

Gracias por su compra. La información contenida en este manual le ayudará a obtener el máximo rendimiento y satisfacción de su corta orillas y, si se observa, reduce el riesgo de lesiones por su uso.

CONSERVE ESTE MANUAL



Dado que la orilladora es una herramienta de corte motorizada de gran velocidad, es necesario tomar medidas especiales de seguridad para reducir el riesgo de lesiones.



Lea este manual de instrucciones detenidamente antes de usar el equipo por primera vez, y periódicamente de allí en adelante. Respete todas las medidas de seguridad. El uso descuidado o inadecuado puede causar lesiones graves o mortales.

Pida a su concesionario de servicio de STIHL autorizado que le enseñe a manejar su herramienta motorizada.

No preste ni alquile la herramienta motorizada sin este manual de instrucciones. Solamente las personas que comprenden la información de este manual por completo deberán manejar el corta orillas.

Para obtener más información, o si no comprende alguna de las instrucciones incluidas en este manual, visite www.stihlusa.com o póngase en contacto con su concesionario de servicio autorizado de STIHL.



ADVERTENCIA

Para reducir el riesgo de lesiones personales, nunca retire o modifique el deflector o el faldón. Mantenga el deflector y el faldón colocados y en su sitio en todo momento. Utilice únicamente cuchillas de corta orillas que estén específicamente autorizadas por STIHL para su uso con esta herramienta eléctrica. Siempre use equipos de protección y gafas de seguridad adecuadas. Mantenga a las demás personas, en especial a los niños, y a los animales alejados de la zona de trabajo donde la corta orillas está en uso.

⚠ ADVERTENCIA

El uso de esta máquina puede ser peligroso. Si la cuchilla giratoria entra en contacto con su cuerpo, le ocasionará una lesión. Cuando entra en contacto con objetos extraños sólidos, como rocas, vidrio o pedazos de metal, puede lanzarlos directamente o por rebote hacia las personas que se encuentran cerca o hacia el operador. Golpear este tipo de objetos podría dañar la cuchilla de la orilladora y hacer que se agriete, se astille o se rompa. Los objetos que salen despedidos, entre los que puede haber cuchillas rotas, pueden provocar lesiones graves o mortales al operador o a personas que se encuentren cerca. Respete las medidas de seguridad que se dan en este manual para reducir el riesgo de sufrir lesiones.

2 Acerca de este manual de instrucciones**2.1 Palabras identificadoras**

Este manual contiene información sobre seguridad a la que usted debe prestar atención especial. Dicha información se indica con los siguientes símbolos y palabras identificadoras:

⚠ PELIGRO

Identifica una situación de peligro que, de no evitarse, causará lesiones graves o mortales.

⚠ ADVERTENCIA


Identifica una situación de peligro que, de no evitarse, podría causar lesiones graves o mortales.

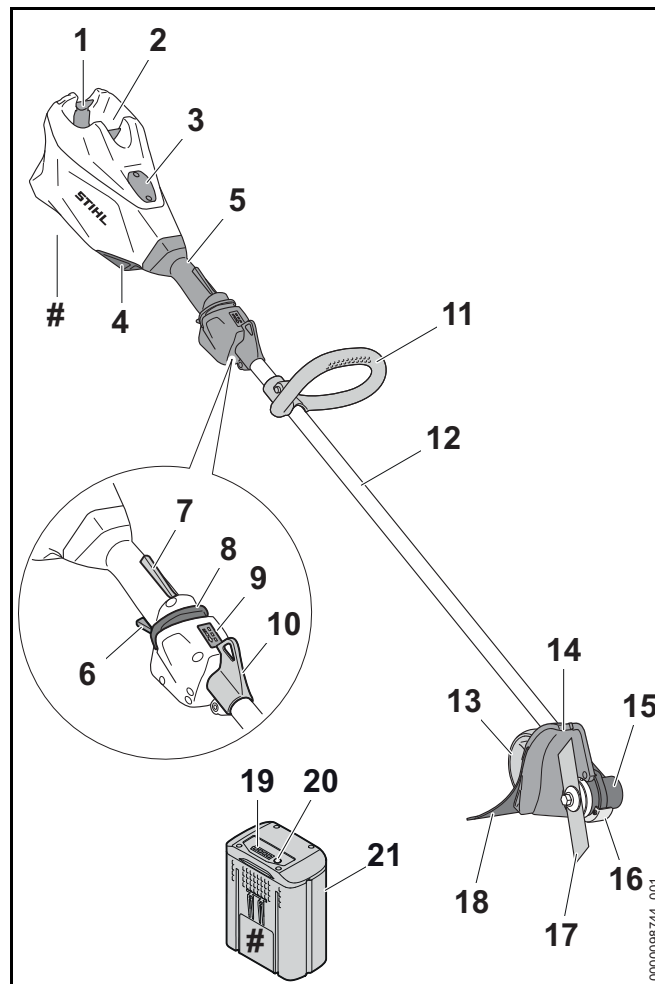
INDICACIÓN

Indica el riesgo de daños a la propiedad, incluidos la máquina o sus componentes.

2.2 Símbolos en el texto

El siguiente símbolo tiene como finalidad ayudarlo a utilizar este manual.

 Hace referencia a un capítulo o subcapítulo designado en este manual de instrucciones.

3 Componentes importantes**3.1 Corta orillas y batería**

- 1 Palanca de bloqueo**
Asegura la batería en el compartimiento de la batería.
- 2 Compartimiento de la batería**
Espacio en que se coloca la batería.
- 3 Cubierta de hueco de montaje¹**
Cubre la zona de montaje de un Smart Connector 2 A.
- 4 Filtro de aire**
Filtra el aire que se aspira y entra en el motor.
- 5 Mango de control**
Mango para la mano trasera del operador.
- 6 Gatillo**
Activa el accesorio de corte cuando se aprieta.
- 7 Bloqueo del gatillo**
Se debe presionar para permitir la activación del gatillo.
- 8 Pestillo de retención**
Para encender el corta orillas y seleccionar el nivel de potencia.
- 9 LED**
Indican el nivel de potencia de la máquina.
- 10 Argolla de transporte**
Para conectar un arnés a la corta orillas.
- 11 Mango circular**
Mango para la mano delantera del operador.
- 12 Tubo de mando**
El vástago de la herramienta motorizada.
- 13 Rueda reguladora de profundidad**
Rueda sobre el suelo y mantiene la profundidad de corte deseada.
- 14 Deflector**
Diseñado para reducir el riesgo de lesiones causadas por objetos lanzados y por contacto con el accesorio de corte.
- 15 Caja de engranajes**
Cubre el sistema de transmisión.
- 16 Protector contra desgaste**
Protege la caja de engranajes del desgaste.
- 17 Cuchilla orilladora**
Cuchilla metálica para cortar maleza y plantas verdes blandas.
- 18 Faldilla**
Diseñado para reducir el riesgo de lesiones por objetos lanzados hacia el operador.
- 19 LED de la batería**
Indican el estado de carga de la batería y muestran mensajes de error sobre posibles fallos de funcionamiento de la batería o de la herramienta motorizada.
- 20 Pulsador**
Activa los LED de la batería.
- 21 Batería**
Suministra energía eléctrica al motor.
- # Placa de características**
Contiene los datos eléctricos y el número de serie del producto.

4 Símbolos de seguridad en los productos

4.1 Corta Orillas

Los siguientes símbolos de seguridad se encuentran en la bordeadora:

¹ Retire la tapa del hueco de montaje sólo para instalar un Smart Connector 2 A. Guárdelo de forma segura para su posterior reinstalación. Utilice siempre la herramienta eléctrica con la cubierta del hueco de montaje colocada o con el Smart Connector 2 A montado.



Para reducir el riesgo de lesiones, respete las medidas de seguridad especificadas.



Lea y respete todas las medidas de seguridad que se dan en el manual de instrucciones. Un uso inadecuado puede provocar lesiones graves o mortales, así como daños materiales.



Para reducir el riesgo de lesionarse los ojos, use siempre gafas protectoras adecuadas, 5.5.



Lleve botas resistentes con suela antideslizante. Le recomendamos que elija botas de seguridad con puntera de acero, 5.5.



Siempre use guantes de trabajo gruesos (por ejemplo, de cuero u otro material resistente al desgaste) para manejar la máquina o la corta orillas metálica, 5.5.



Para reducir el riesgo de cortarse, mantenga las manos y los pies alejados del accesorio de corte. 5.7.4.



Para reducir el riesgo de lesiones causadas por objetos que salen despedidos, revise la zona de trabajo y retire piedras, vidrio, rocas, piezas de metal y cualquier otro objeto que pudiera ser lanzado por el accesorio de corte. 5.7.4.



Para reducir el riesgo de lesiones provocadas por objetos que salen despedidos, asegúrese de que las personas de los alrededores se mantienen a una distancia de, como mínimo, 50 pies (15 m), 5.7.4.



Para reducir el riesgo de lesiones o daños a la propiedad debido a la activación inesperada, quite la batería cuando la corta orillas no esté en uso, 5.6.



La caja de engranajes se calienta durante el funcionamiento de la máquina. Para reducir el riesgo de sufrir quemaduras, evite el contacto con la caja de engranajes cuando esta esté caliente tras el funcionamiento, 6.

4.2 Batería

Los símbolos de seguridad siguientes se encuentran en la batería de mochila serie AR y en la batería serie AP.



Para reducir el riesgo de lesiones, respete las medidas de seguridad especificadas.



Lea y respete todas las precauciones de seguridad dadas en el manual de instrucciones de la batería y en el manual de la herramienta STIHL que utiliza esta batería. El uso inadecuado puede provocar lesiones personales graves o mortales o daños a la propiedad.



Para reducir el riesgo de lesiones personales o daños a la propiedad debido a incendios, explosiones o quemaduras, incluidas las quemaduras químicas, no desarme, aplaste, deje caer, dañe o caliente la unidad a más de 100°C (212°F). Nunca la exponga al fuego ni la incinere, 7.



Para reducir el riesgo de lesiones personales o daños a la propiedad debido a un incendio, use y almacene la batería solo dentro de un rango de temperatura ambiente de -10°C a 50°C (14°F a 122°F), 7.

Baterías tipo mochila AR 900, 1000, 2000, 3000

Para reducir el riesgo de lesiones personales o daños a la propiedad causados por un cortocircuito, un incendio o una explosión, mantenga la unidad seca. Protéjala contra la lluvia, el agua y las condiciones húmedas. Nunca la sumerja en agua u otros líquidos, 7.

Baterías tipo mochila AR L

Para reducir el riesgo de lesiones personales o daños a la propiedad causados por un cortocircuito, un incendio o una explosión, mantenga la unidad seca. Nunca la sumerja en agua u otros líquidos, 7.

Baterías serie AP

Para reducir el riesgo de lesiones personales o daños a la propiedad causados por un cortocircuito, un incendio o una explosión, mantenga la unidad seca. Nunca la sumerja en agua u otros líquidos, 7.

Las baterías se venden por separado.

5 INSTRUCCIONES IMPORTANTES DE SEGURIDAD

5.1 Advertencias e instrucciones de seguridad generales

Esta sección contiene las advertencias e instrucciones de seguridad generales prescritas para corta orillas eléctricas manuales motorizadas. En secciones posteriores de este manual se proporcionan advertencias e instrucciones adicionales importantes.

⚠ ADVERTENCIA

- Para reducir el riesgo de incendios, choques eléctricos y lesiones, cuando use corta orillas eléctricas, siempre siga las precauciones de seguridad básicas, entre las que se incluyen las siguientes:

¡LEA TODAS LAS INSTRUCCIONES ANTES DE USAR LA CORTA ORILLA!

- 1) Evite los entornos peligrosos: no utilice corta orillas en lugares húmedos ni mojados.
- 2) No use la máquina bajo la lluvia.
- 3) Mantenga alejados a los niños. Todas las demás personas deben mantenerse a una distancia prudencial de la zona de trabajo.
- 4) Use vestimenta apropiada: no lleve ropa suelta ni joyas. Podrían quedar atrapadas en las piezas en movimiento. Use guantes de trabajo gruesos (por ejemplo, de cuero o de otro material resistente al desgaste) y calzado resistente cuando trabaje a la intemperie. Si tiene el pelo largo, cúbrase con una protección adecuada.
- 5) Use gafas de seguridad. Siempre utilice una máscara o mascarilla contra el polvo cuando trabaje en un lugar polvoriento.
- 6) Utilice la herramienta apropiada para el trabajo. No use una herramienta con fines distintos de los previstos para ella.
- 7) Evite los arranques accidentales: no transporte la corta orillas con el dedo sobre el gatillo. Asegúrese de que la corta orilla está apagada cuando inserte la batería.
- 8) No fuerce la corta orilla: funciona mejor y con menos riesgo de lesiones si se usa a la velocidad para la que fue diseñada.
- 9) No extienda los brazos más allá de lo necesario: mantenga el equilibrio y los pies bien apoyados en todo momento.
- 10) Permanezca alerta: preste atención a lo que está haciendo. Aplique el sentido común. No maneje la corta orilla cuando esté cansado.

- 11) Guarde la corta orilla bajo techo: cuando no utilice la corta orilla, guárdela bajo techo, en un lugar seco y bajo llave, fuera del alcance de los niños y sin la batería.
- 12) Cuide la corta orillas: mantenga el accesorio de corte limpio para obtener el mejor rendimiento y para reducir el riesgo de lesiones. Siga las instrucciones cuando lubrique la máquina y cambie sus accesorios. Mantenga los mangos secos, limpios y libres de aceite y grasa.
- 13) Revise las piezas dañadas: antes de seguir usando la corta orillas, revise minuciosamente el protector o cualquier otra pieza que esté dañada para verificar que funcionarán correctamente y que cumplirán la función para la que están previstas. Compruebe la alineación de las piezas móviles y si estas tienen agarramiento; si hay piezas rotas, el montaje de las piezas y toda condición que pueda afectar su funcionamiento. Si un protector u otra pieza tiene daños, deberá sustituirse o repararse debidamente en un centro de servicio autorizado, salvo que en este manual se indique lo contrario.
- 14) Mantenga los protectores en su lugar y en buenas condiciones.
- 15) Mantenga las manos y los pies alejados de la zona de corte y del accesorio de corte.

GUARDE ESTAS INSTRUCCIONES

5.2 Introducción

ADVERTENCIA

- El uso de esta máquina puede ser peligroso. Si la cuchilla giratoria entra en contacto con su cuerpo, le ocasionará una lesión. Si entra en contacto con un objeto sólido tal como rocas, vidrio o piezas metálicas, podría despedirlo o lanzarlo directa o indirectamente hacia donde se encuentren terceros o el operador. Golpear este tipo de objetos podría dañar la cuchilla de la orilladora y hacer que se agriete, se astille o se rompa. Los objetos que salen despedidos, entre los que puede haber cuchillas rotas, pueden provocar lesiones graves o mortales al

operador o a personas que se encuentren cerca. Tal como se explicará a continuación en este manual, para reducir el riesgo de lesión personal:

- Mantenga el deflector y el faldón colocados y en su sitio en todo momento.
- Utilice únicamente cuchillas de corta orillas que estén específicamente autorizadas por STIHL para su uso con su modelo de corta orillas.
- No preste ni alquile nunca su corta orillas sin entregar el manual de instrucciones. Asegúrese de que todas las personas que vayan a usar la máquina comprenden la información de este manual. Pida a su concesionario STIHL que le enseñe el manejo de la orilladora. Respete todas las leyes, las regulaciones, los estándares y las normas aplicables.

5.3 Uso previsto

ADVERTENCIA

- Esta bordeadora ha sido diseñada para formar bordes bien definidos alrededor de prados y jardines de flores. Utilice su bordeadora únicamente para bordear zonas de pasto, maleza y plantas verdes blandas. Si la corta orillas se usa para trabajos para los cuales no ha sido diseñado, podría provocar lesiones graves o mortales.
 - No se debe usar con ningún otro fin.
- Un uso indebido podría causar lesiones o daños materiales, incluidos daños en la herramienta motorizada.
 - Utilice la herramienta motorizada y la batería únicamente como se describe en este manual.
 - Nunca intente modificar ni anular en modo alguno los controles ni los dispositivos de seguridad de la corta orillas.
 - Nunca utilice una corta orillas que haya sido modificado o alterado, apartándose de su diseño original.
 - Asegúrese de leer y respetar las advertencias y las instrucciones de su batería y de su cargador antes de iniciar la carga o de empezar a trabajar.

- Esta herramienta motorizada se puede alimentar con una batería de la gama STIHL AP. Como alternativa, puede recibir alimentación de una batería tipo mochila de la gama STIHL AR en combinación con un adaptador AP.

Las baterías, los cargadores y otros accesorios se venden por separado.

5.4 Operador

⚠ ADVERTENCIA

- El uso de una herramienta motorizada puede ser fatigoso. El operador debe hallarse en buenas condiciones tanto físicas como mentales. Para reducir el riesgo de lesiones personales causadas por fatiga o pérdida del control:
 - Consulte con su médico antes de trabajar con una herramienta motorizada si usted padece de alguna condición de salud que pudiera ser agravada por el trabajo extenuante.
 - No utilice la herramienta motorizada si se encuentra bajo la influencia de alguna sustancia (drogas, alcohol o medicamentos, etc.) que pudiera perjudicar su visión, equilibrio, destreza o criterio.
 - Esté alerta. No use la herramienta motorizada si está cansado. Tómese un descanso si se siente cansado.
 - No permita que menores de edad utilicen la herramienta motorizada.
- Según los conocimientos actuales de STIHL, el motor eléctrico de esta herramienta motorizada no debería interferir con un marcapasos.
 - Sin embargo, las personas con marcapasos u otro dispositivo médico implantado deben consultar a su médico y al fabricante del dispositivo antes de utilizar esta herramienta motorizada.

5.5 Equipos de protección personal

⚠ ADVERTENCIA

- Incluso un deflector debidamente instalado y ajustado puede no proteger al operador de todos los objetos extraños que salen despedidos al entrar en contacto con el accesorio de corte. Los objetos arrojados o lanzados por el accesorio también pueden rebotar y golpear al operador. Para reducir el riesgo de lesiones:
 - Siempre use ropa adecuada y equipos de protección, incluidas gafas de seguridad adecuadas.
- Si el cabello, la ropa o los equipos de protección entran en contacto con el accesorio de corte en movimiento o se enredan en los componentes de la corta orillas, se podría perder el control sobre la máquina, y se podrían producir lesiones cortantes graves. Para reducir el riesgo de lesiones graves:
 - Use ropa resistente y ajustada que le permita moverse con completa libertad.
 - Use monos o pantalones largos hechos de un material grueso para protegerse las piernas. No lleve pantalones cortos.
 - Evite el uso de chaquetas sueltas, bufandas, corbatas, pantalones acampanados o con vueltas, joyas y cualquier prenda o complemento que pueda engancharse en ramas, matorrales o en el accesorio de corte en movimiento.
 - Sujétese el cabello por encima de los hombros antes de empezar a trabajar.
- Para reducir el riesgo de sufrir lesiones oculares:





– Siempre utilice gafas o anteojos protectores bien ajustados que tengan protecciones laterales adecuadas, sean resistentes a los impactos y porten designaciones que indiquen que cumplen la norma ANSI Z87 "+".

– Si existe el riesgo de lesionarse el rostro, STIHL recomienda usar también una careta o protector facial adecuado sobre las gafas o los anteojos de seguridad.

- Es muy importante tener una buena estabilidad. Como ayuda para mantener los pies apoyados de forma segura y para reducir el riesgo de lesiones durante el trabajo:



– Lleve un calzado resistente con suela antideslizante. Le recomendamos que elija botas de seguridad con puntera de acero. Nunca use sandalias, chanclas, zapatos que dejen los dedos al descubierto ni calzado similar.

- Para mejorar el agarre y para proteger mejor sus manos:



– Siempre use guantes gruesos y antideslizantes de cuero o de otro material resistente al desgaste para manipular la corta orillas.

– Use siempre guantes resistentes al montar o manipular la cuchilla de la corta orillas,

- El contacto con la cuchilla de la corta orillas en movimiento puede causarle laceraciones graves. Para reducir el riesgo de que se produzcan este tipo de lesiones:

– Mantenga las manos, los pies y cualquier otra parte del cuerpo lejos de la cuchilla de la corta orillas.

– No toque con las manos ni con ninguna parte del cuerpo una cuchilla de la corta orillas en movimiento.

– Nunca ponga la corta orillas en funcionamiento si el deflector está dañado o no se ha montado.

- Para reducir el riesgo de que el operador o terceras personas sufran lesiones provocadas por contacto con la cuchilla y con objetos que salen despedidos:



– Mantenga el deflector y el faldón colocados y en su sitio en todo momento. No utilice el aparato si falta o está dañado el deflector o el faldón.

- Para reducir el riesgo de que el operador o las personas que se encuentran cerca sufran lesiones:



– Siempre suelte el gatillo y quite la batería antes de armar, transportar, ajustar, inspeccionar, limpiar, mantener, reparar o guardar la corta orillas, y en cualquier momento en que no se esté usando.

– Nunca deje la herramienta motorizada desatendida con la batería colocada.

- Si bien es posible conectar ciertos accesorios no autorizados a su corta orillas STIHL, le advertimos de que su uso puede ser extremadamente peligroso. Le recomendamos que utilice únicamente accesorios suministrados por STIHL o expresamente autorizados por STIHL para el uso con este modelo específico.


– Use solo las cuchillas de la corta orillas suministradas o expresamente aprobadas por STIHL.

– Nunca modifique, de ninguna manera a esta orilladora.

5.6 Corta Orillas

⚠ ADVERTENCIA

- Para reducir el riesgo de choque eléctrico:
 - No sumerja la herramienta motorizada en agua ni en ningún otro líquido.
 - Guarde la herramienta motorizada bajo techo.

- Nunca intente modificar ni anular en modo alguno los controles ni los dispositivos de seguridad de la corta orillas.
- Nunca utilice una corta orillas que haya sido modificado o alterado, apartándose de su diseño original.
- Para una lista de las cuchillas de corta orillas por STIHL para usarse con su máquina, consulte el capítulo
- Si la herramienta motorizada o la batería se caen o sufren un impacto similar:
 - Asegúrese de que no se ha dañado, de que está en buenas condiciones y de que funciona correctamente antes de reanudar el trabajo.
 - Verifique que los controles y los dispositivos de seguridad funcionan correctamente.
 - Compruebe si los LED de la batería indican que hay algún mensaje de error,  23.
 - Asegúrese de que la batería no se ha dañado. Nunca use ni cargue una batería que no funcione correctamente o que esté dañada, agrietada, deformada o pierda líquido.
 - Nunca trabaje con una herramienta motorizada o con una batería que estén dañadas o no funcionen bien. Si tiene dudas, solicite a su concesionario de STIHL autorizado que revise la herramienta motorizada y la batería.
- Si la herramienta motorizada o la batería están dañadas, no funcionan correctamente, se han dejado a la intemperie o se han caído al agua o a otro líquido, sus componentes podrían no funcionar debidamente, y los dispositivos de seguridad podrían haber quedado inoperantes. Para reducir el riesgo de lesiones y de daños materiales:
 - Lleve la herramienta motorizada y la batería a su concesionario autorizado de STIHL para que las revisen antes de seguir utilizándolas.
- Los repuestos auténticos de STIHL se han diseñado específicamente para su herramienta motorizada, y satisfacen los requisitos de seguridad y de rendimiento



correspondientes. El uso de piezas no autorizadas o no aprobadas por STIHL puede provocar lesiones graves o mortales, así como daños materiales.




- STIHL recomienda utilizar únicamente repuestos de STIHL idénticos a las piezas originales.

5.7 Uso de la orilladora

5.7.1 Antes de usar

ADVERTENCIA

- Un uso inadecuado o no autorizado puede causar lesiones y daños materiales.
 - Utilice la corta orillas sólo como se describe en este manual de instrucciones.
- La corta orillas se debe instalar y ajustar correctamente antes de empezar a trabajar. Si no se utilizan las piezas adecuadas para montar la cuchilla de la orilladora, ésta puede salir volando y herir gravemente al operador o a los transeúntes.
 - Lea y siga las instrucciones sobre el montaje de la cuchilla de la corta orillas,  12, y el ajuste de la empuñadura,  13.1.
 - Nunca monte una corta orillas sin la instalación adecuada de todas las piezas necesarias (por ejemplo, tuercas, tornillos, arandela de empuje, placa de empuje, etc.).
 - Antes de comenzar el trabajo, busque piezas sueltas (tuercas, tornillos, etc.) y cuchilla de corta orillas rota, deformada o dañada.
 - Si alguna corta orillas o cuchilla está dañada o muy gastada, cámbiela antes de usar la herramienta motorizada.

- El uso de una corta orillas que se ha modificado, que está dañada, mal ajustada o no se ha mantenido debidamente, o que no se ha montado por completo y de forma segura, puede derivar en un fallo de funcionamiento y aumentar el riesgo de lesiones personales graves o mortales.
 - Nunca haga funcionar una corta orillas modificado, dañado, con un mantenimiento inadecuado o que no esté completa y seguramente ensamblado.
 - Verifique siempre que la unidad está en buenas condiciones y que funciona correctamente antes de empezar a usarla; preste especial atención al pestillo de retención, al bloqueo del gatillo, al gatillo, al deflector, al faldón y al accesorio de corte.
 - Asegúrese de que el pestillo de retención, el gatillo y el bloqueo del gatillo se mueven libremente, y de que regresan siempre a su posición cuando los suelta. El gatillo no debe engancharse hasta que se pulse el bloqueo del gatillo.
 - Nunca intente modificar ni anular en modo alguno los controles ni los dispositivos de seguridad.
 - La corta orillas debe engranar solo cuando está colocada la batería, se ha desplazado hacia delante el pestillo de retención y se han presionado el bloqueo del gatillo y el gatillo.
 - Si la corta orillas o alguna de sus piezas, incluida la batería, se averían o no funcionan debidamente, llévelo a su concesionario de servicio de STIHL autorizado. No utilice la unidad si no se ha solucionado el problema.
 - Antes de colocar la batería:
 - Compruebe si hay corrosión o materias extrañas de otro tipo en los contactos eléctricos del compartimiento para la batería. Manténgalos limpios.
 - Nunca inserte ni use una batería que esté defectuosa, dañada, agrietada o deformada, o que pierda líquido.
 - Lea y respete las instrucciones de encendido de la herramienta motorizada,  15.1.
 - Para reducir el riesgo de lesiones graves o mortales provocadas por un arranque accidental:
 - Suelte el gatillo y su bloqueo antes de insertar la batería.
 - Nunca acarree la unidad con el dedo en el gatillo.
 - Suelte el gatillo antes de retirar la batería.
- 
- Quite la batería antes de armar, transportar, ajustar, inspeccionar, limpiar, reparar, mantener o guardar la corta orillas, y siempre que no se esté usando.
 - Nunca deje la herramienta motorizada desatendida con la batería colocada.
 - Nunca guarde la batería en la corta orillas.
- Antes de encender la corta orillas, efectúe los pasos siguientes para reducir el riesgo de lesiones personales causadas por objetos lanzados, la pérdida del control o el contacto accidental con la cuchilla corte:
 - Asegúrese de que la cuchilla de corta orillas esté alejada de su persona y de las demás obstrucciones y objetos, incluido el suelo.
 - Lea y siga las instrucciones para encender la corta orillas,  15.1.


5.7.2 Sujeción y control de la corta orillas

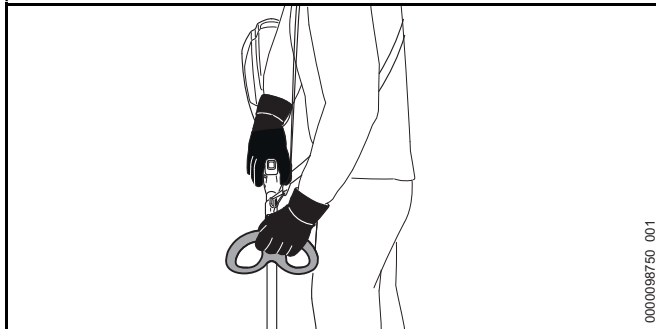
ADVERTENCIA

- Para sujetar con firmeza y controlar correctamente la corta orillas:
 - Mantenga los mangos limpios y secos en todo momento. Protéjalos de la humedad, del alquitrán, del aceite, de la grasa y de la resina.
- Si la corta orillas se maneja con una sola mano, se puede perder el control sobre la misma, lo cual es extremadamente peligroso. Para reducir el riesgo de lesiones graves o mortales para el operador o los presentes por la pérdida de control:



– Nunca intente manejar la orilladora con una sola mano.


- Para reducir el riesgo de lesiones graves o mortales para el operador o los presentes por pérdida de control:
 - Sujete la herramienta motorizada siempre firmemente con las dos manos cuando trabaje con ella.
 - Agarre firmemente los mangos con todos los dedos, manteniéndolos sujetos entre los dedos índice y pulgar (vea la ilustración).
 - Coloque la herramienta motorizada de modo que todas las partes de su cuerpo queden alejadas de la corta orillas siempre que la batería esté colocada.
 - Evite cortar cerca de vallas, laterales de edificios, troncos de árboles, piedras u otros objetos que puedan dañar la cuchilla de la corta orillas o hacer que la herramienta eléctrica salga disparada.
 - El operador puede usar un arnés, tal como se indica en este manual,  25



- Para reducir el riesgo de lesiones severas causadas por una pérdida de control y/o por contacto con la cadena:
 - Nunca retire o modifique el deflector o el faldón.
 - Durante el funcionamiento, el operador debe sujetar el mango trasero con la mano derecha y el mango delantero, con la mano izquierda. Esto es aplicable a todos los operadores, incluidos aquellos que sean zurdos.
- Para reducir el riesgo de lesiones graves o mortales provocadas por una pérdida del control o por objetos que salen despedidos:
 - Mantenga la rueda de profundidad rodando por el suelo mientras cantea.
- Para reducir el riesgo de que el operador o las personas de los alrededores sufran lesiones graves o mortales por contacto con el accesorio de corte:



- Mantenga las manos, los pies y cualquier otra parte del cuerpo lejos de la cuchilla de la corta orillas.
- No toque con las manos ni con ninguna parte del cuerpo una cuchilla de la corta orillas en movimiento.
- No toque la cuchilla de la corta orillas si la batería está colocada en la herramienta motorizada.
- Para reducir el riesgo de que el operador o las personas que se encuentran cerca sufran lesiones graves o mortales causadas por una pérdida de control, asegúrese de mantener el equilibrio y los pies bien apoyados en todo momento:
 - Asegúrese de mantener el equilibrio y de tener los pies bien apoyados en todo momento.
 - Tenga especial cuidado cuando trabaje en terrenos con mucha vegetación o húmedos, y preste atención siempre a posibles obstáculos ocultos como tocones, raíces, piedras, hoyos y zanjas.
 - Proceda con extrema precaución cuando trabaje en declives o en terrenos irregulares.

- Para no perder la estabilidad, retire siempre las ramas caídas, los arbustos, el material cortado y cualquier otro objeto o vegetación que pueda aumentar el riesgo de resbalarse, tropezarse o caer.
- Nunca trabaje con la máquina por encima del nivel del suelo.
- No extienda los brazos más de lo necesario.
- Mantenga la corta orillas equilibrada, para poder controlarla adecuadamente y fatigarse menos durante el trabajo.
 - Ajuste la posición del mango circular y del arnés para alcanzar y mantener una posición de trabajo cómoda y eficaz,  13.

5.7.3 Condiciones de trabajo

ADVERTENCIA

- Utilice la corta orillas únicamente cuando tenga buena visibilidad, en condiciones de luz diurna favorables.
 - Aplazé el trabajo si hace mal tiempo o viento, si llueve o si hay niebla.
- Su orilladora es una máquina que debe ser manejada por solamente una persona.
 - No se debe permitir la entrada de espectadores, especialmente niños, ni de animales en el área donde se está utilizando el equipo.
 - Apáguela de inmediato si se le acerca alguien.
- Para reducir el riesgo de lesiones a los presentes y a los usuarios no autorizados:
 - Nunca deje la corta orillas desatendida si tiene la batería colocada.
 - Apague la máquina y retire la batería durante los descansos y siempre que la herramienta motorizada no se esté usando.
- Las chispas que se generan del funcionamiento de la corta orillas pueden encender gases, líquidos, vapores, polvos u otros materiales y sustancias combustibles. Para reducir el riesgo de incendios y explosiones:
 - Nunca utilice la corta orillas en un lugar donde haya gases, líquidos, vapores, polvos u otros materiales y sustancias combustibles.
 - Lea y respete las recomendaciones de las autoridades gubernamentales (por ejemplo, OSHA), para identificar y evitar los peligros que representan los gases, líquidos, vapores o polvos combustibles, así como otros materiales y sustancias combustibles.
- Si una cuchilla metálica en movimiento choca contra concreto, rocas o contra otros objetos sólidos, se pueden producir chispas capaces de encender materiales inflamables en determinadas circunstancias. Entre los materiales inflamables se incluyen, por ejemplo, la vegetación y los arbustos secos, en particular cuando el tiempo es cálido y seco.
 - Si existe un riesgo de incendio leve o grave, no use la corta orillas en torno a materiales inflamables, ni para cortar vegetación o arbustos secos.
 - Póngase en contacto con las autoridades locales de control de incendios o con el servicio forestal de los EE.UU. si tiene dudas sobre si las condiciones de la vegetación y del tiempo son adecuadas para el uso de una corta orillas.
- El uso de esta corta orillas puede generar polvo y otras sustancias que contienen productos químicos considerados como causantes de enfermedades respiratorias, cáncer, defectos congénitos u otros problemas reproductivos.
 - Consulte a agencias gubernamentales como EPA, OSHA, CARB y NIOSH e infórmese en otras fuentes autorizadas sobre los materiales peligrosos si desconoce los riesgos asociados con las sustancias concretas que va a cortar o con las que va a trabajar.
- La inhalación de determinados polvos, y especialmente de polvos orgánicos como el moho o el polen, puede provocar reacciones alérgicas o asmáticas en personas

sensibles a estas sustancias. La inhalación repetida o en grandes cantidades de polvo o de otros contaminantes suspendidos en el aire, y especialmente de las partículas más pequeñas, puede causar enfermedades respiratorias o de otro tipo.

- Controle el polvo en su origen siempre que sea posible.
- En la medida de lo posible, utilice la corta orillas de modo que el viento o el proceso de trabajo dirijan cualquier polvo, vapor u otras partículas generadas por la corta orillas en dirección contraria al operador.
- Si no es posible mantener el polvo y otras partículas inhalables a niveles de fondo o aproximadamente de fondo, siempre utilice una mascarilla aprobada por NIOSH que reúna las características adecuadas para las condiciones específicas de la zona de trabajo. Siga las recomendaciones de las entidades gubernamentales (por ejemplo, OSHA/NIOSH), y de las asociaciones laborales y comerciales.
- Si la vegetación que corta o el terreno de los alrededores están cubiertos por una sustancia química, como un pesticida o un herbicida:
 - Lea y respete las instrucciones y las advertencias que se adjuntan con la sustancia que se ha rociado sobre la vegetación o sobre el suelo de los alrededores.

5.7.4 Instrucciones de manejo

▲ ADVERTENCIA

- En caso de emergencia:
 - Apague el motor de inmediato y retire la batería.
- La cuchilla de la corta orillas sigue girando durante un período breve una vez que se suelta el gatillo. Es lo que se conoce como "efecto de volante". Para reducir el riesgo de lesiones graves por contacto con el accesorio de corte:
 - Espere a que la cuchilla de la corta orillas se detengan antes de caminar cargando la máquina, o de depositarla en el suelo.
- La cuchilla giratoria de la corta orillas puede arrojar objetos extraños a gran distancia directa o indirectamente. Los objetos que salen lanzados, entre los que se pueden incluir cuchillas rotas, pueden provocar lesiones graves o mortales al operador o a terceras personas. Para reducir el riesgo de lesiones graves:



- Revise la zona de trabajo. Retire las piedras, vidrio, rocas, piezas metálicas y otros objetos que pudieran ser lanzados por la cuchilla de corta orillas, dañar la cuchilla o causar daños a la propiedad (por ejemplo: vehículos estacionados, ventanas).
- STIHL no recomienda el uso de la corta orillas cuando se corte en áreas rocosas o en zonas en las que haya basura u otros objetos que la cuchilla de la corta orillas podría lanzar despedidos.



– Lleve siempre una protección adecuada para los ojos y asegúrese de no hay nadie a una distancia de menos de 50 pies de la zona de trabajo (15 m). Todas las personas que deban ingresar al área restringida también deberán usar una protección adecuada para los ojos.

- Para reducir el riesgo de que se produzcan daños materiales, mantenga esta distancia también con respecto a vehículos y ventanas.
- Guardar una distancia mínima de 50 pies (15 m) no elimina por completo el riesgo de lesiones y de daños materiales provocados por los objetos que salen lanzados.
- Apague el motor inmediatamente si se le aproxima alguien mientras está trabajando con la corta orillas.

- Su corta orillas está equipada con un deflector y un faldón. Para reducir el riesgo de que se produzcan lesiones causadas por objetos lanzados y por contacto con la cuchilla de la corta orillas:



– Nunca ponga la corta orillas en funcionamiento si el deflector está dañado o no se ha montado.

– Mantenga el deflector y el faldón colocados y en su sitio en todo momento.

- El uso de cuchillas de corta orillas no aprobadas no está autorizado y podría ser extremadamente peligroso.

– Solo utilice los accesorios de corte que se mencionan en este manual. Vea Especificaciones, 24.2.

- Para reducir el riesgo de lesiones graves provocadas por un arranque accidental de la máquina:



– No toque la cuchilla de la corta orillas con la mano u otra parte del cuerpo cuando la llave fusible y la batería están colocadas, incluso cuando la cuchilla de la corta orillas no esté girando. Mantenga una distancia de como mínimo 50 pies (15 m) con respecto a las personas que estén en los alrededores.



– Apague el motor y retire la batería antes de revisar la cabeza segadora, la cuchilla de la corta orillas o el deflector. Elimine la suciedad, el pasto, la maleza y cualquier otro material extraño de la cuchilla y del deflector a intervalos regulares, pero solo después de haber retirado la batería.

- Una cuchilla de corta orillas dañada o floja puede vibrar, agrietarse, romperse o desprenderse durante el funcionamiento, lo que puede provocar lesiones graves o mortales.

- Asegúrese de que la cuchilla de la corta orillas esté bien ajustada antes de empezar a trabajar.
- Compruebe si la cuchilla de la corta orillas está bien fijado y en buen estado antes de empezar a trabajar, y siempre que advierta que el comportamiento de corte cambia durante el uso. Siempre apague el motor, espere a que la cuchilla de la corta orillas se detenga y quite la batería antes de inspeccionar la corta orillas o su cuchilla.
- Si la cuchilla de corta orillas se afloja después de haberlo apretado correctamente, interrumpa el trabajo de inmediato y lleve la máquina a un concesionario de servicio STIHL autorizado para que la inspeccionen.

- Una cuchilla de corta orillas agrietada, dañada o gastada podría despedazarse a altas velocidades y causar lesiones graves o mortales.
 - Sustituya inmediatamente una hoja agrietada, doblada, deformada, dañada o desgastada, incluso si el daño parece limitarse a grietas superficiales.
 - No use nunca una orilladora con una cuchilla suelta o dañada.

⚠ PELIGRO

- Para reducir el riesgo de electrocución:



- Nunca utilice esta corta orillas cerca de alambres o de cables que puedan tener corriente eléctrica. Preste atención y compruebe si hay alambres o cables ocultos antes de empezar a trabajar.
- No confíe en el aislamiento de la corta orillas contra choques eléctricos, aunque sujete la herramienta motorizada por las superficies de agarre aisladas.

6 Mantenimiento, reparación y almacenamiento

6.1 Advertencias e instrucciones

⚠ ADVERTENCIA

- La herramienta motorizada y la batería no contienen piezas que el usuario esté autorizado a reparar. Para reducir el riesgo de incendios, descargas eléctricas o lesiones de otro tipo, así como de daños materiales:
 - Los usuarios deben realizar únicamente los trabajos de mantenimiento y limpieza que se describen en este manual.
 - Respete escrupulosamente las instrucciones de limpieza y mantenimiento que se dan en las secciones correspondientes de este manual de instrucciones.
- Nunca intente reparar una cuchilla de corta orillas dañada o rota. Esto puede provocar el desprendimiento de piezas rotas y causar lesiones graves o mortales.
- Use guantes resistentes y antideslizantes al manipular las cuchillas de corta orillas.
- STIHL recomienda encargar todos los trabajos de reparación o reemplazo a un concesionario de servicio de STIHL autorizado.
- Un arranque accidental puede provocar lesiones o daños materiales. Para reducir el riesgo de lesiones y de daños materiales provocados por un arranque accidental:
 - Retire la batería antes de inspeccionar la corta orillas o de llevar a cabo cualquier trabajo de limpieza, mantenimiento o reparación, antes de guardar la herramienta motorizada y siempre que no se esté usando.
- El uso de piezas no autorizadas o no aprobadas por STIHL puede provocar lesiones graves o mortales, así como daños materiales.
 - STIHL recomienda utilizar únicamente repuestos de STIHL idénticos a las piezas originales.
- Para reducir el riesgo de lesiones personales graves debidas a soltura o daños en la cuchilla de corta orillas:
 - Tighten all nuts, bolts and screws after each use.
 - Nunca intente reparar cuchillas de corta orillas dañadas aplicándoles soldadura, enderezándolas o modificándoles su forma. Sustituya siempre una cuchilla de corta orillas dañada antes de usar la máquina.
 - Nunca intente afilar la cuchilla de corta orillas.
- La caja de engranajes se calienta durante el funcionamiento de la máquina. Para reducir el riesgo de quemaduras:





- Deje que la caja de cambios se enfríe antes de inspeccionar o cambiar una cuchilla de la corta orillas. Evite tocar la caja de engranajes cuando esté caliente luego del funcionamiento.
- Un almacenamiento incorrecto puede resultar en el uso de la máquina por parte de personas no autorizadas, o provocar daños en la herramienta motorizada; además, aumenta el riesgo de incendios, descargas eléctricas y lesiones personales, así como de daños materiales.
 - Retire la batería de la herramienta motorizada antes de guardarla.
 - Nunca guarde la herramienta motorizada ni el cargador con la batería puesta.
 - Guarde la corta orillas y la pila en un lugar seco y seguro al que no puedan acceder los niños u otras personas no autorizadas.
 - Nunca guarde la batería en la corta orillas, en el cargador o en un envase metálico, ni en un envase junto con objetos metálicos (por ejemplo, presillas para papel, clavos, monedas, llaves).
- Si la batería se cae, puede provocar lesiones o daños materiales. Para evitar que la batería se caiga al sacarla:
 - Coloque la corta orillas sobre una superficie nivelada.
 - Tenga cuidado cuando saque la batería.
- El uso de baterías no autorizadas puede causar daños en la herramienta motorizada y provocar incendios, explosiones, lesiones personales y daños materiales.
 - Use únicamente baterías auténticas de las gamas AR o AP de STIHL con esta herramienta motorizada.
- La utilización de baterías de las gamas AR o AP de STIHL para cualquier fin que no sea alimentar los productos de STIHL podría ser extremadamente peligroso.
 - Use las baterías de las gamas AR y AP de STIHL solo para proporcionar alimentación a productos de STIHL compatibles.
- El uso de cargadores no autorizados puede causar daños en la batería y provocar incendios, explosiones, lesiones y daños materiales.
 - Para cargar las baterías de la gama AP de STIHL, utilice siempre cargadores STIHL AL 101, AL 300 o AL 500 auténticos.
 - Para cargar las baterías de mochila de la gama AR de STIHL, utilice siempre cargadores AL 300 o AL 500 de STIHL auténticos.
- La batería tiene funciones y dispositivos de seguridad que, de dañarse, pueden provocar que la batería genere calor, se rompa, pierda líquido, se incendie o explote.
 - Nunca permita que la temperatura de la batería supere los 212 °F (100 °C).
 - Nunca prenda fuego a la batería, ni la coloque sobre o junto a fuegos, estufas u otro tipo de objetos que alcancen temperaturas muy altas.



- Nunca use ni cargue una batería que no funcione correctamente, que esté dañada, agrietada, deformada o pierda líquido.
- Nunca abra, desmonte ni golpee la batería; no la deje caer ni la exponga a impactos fuertes o a daños de cualquier otro tipo.
- Nunca exponga la batería a microondas ni a presiones elevadas.
- Nunca introduzca objetos en las ranuras de ventilación de la batería.

7 Seguridad de la batería

7.1 Advertencias e instrucciones

▲ ADVERTENCIA

- Lea y respete las medidas de seguridad que figuran en la batería, así como todas las advertencias e instrucciones que se adjuntan con ella.

- Las temperaturas extremas pueden hacer que la batería genere calor, se rompa, pierda líquido, se incendie o explote, lo que podría causar lesiones graves o fatales y daños materiales. La exposición a temperaturas no incluidas en el rango recomendado puede contribuir además a acortar la vida útil de la batería y a empeorar su rendimiento.



- Use y guarde la batería únicamente a una temperatura ambiente de entre 14 °F y 122 °F (-10 °C y 50 °C).
 - Nunca guarde la batería en un lugar expuesto a la luz solar directa ni dentro de un vehículo si la temperatura exterior es elevada.
- Para reducir el riesgo de que se produzcan lesiones personales y daños materiales en caso de que la batería humee, emita un olor inusual o se caliente más de lo habitual durante el uso, la carga o el almacenamiento:
 - Deje de usar o de cargar de la batería inmediatamente. Póngase en contacto con las autoridades en caso de incendio o explosión.
- Para reducir el riesgo de que se produzca un cortocircuito, que podría causar, a su vez, una descarga eléctrica, un incendio o una explosión:



- Asegúrese de mantener secas las baterías de mochila AR 900, 1000, 2000, 3000 de STIHL. Protéjalas de la lluvia, del agua y de otros líquidos. Si llueve o el grado de humedad es muy elevado, cubra la batería AR 1000, 2000, 3000 de STIHL con la funda para lluvia antes de empezar a trabajar.









- Si una batería de la gama AP o AR L de STIHL ha estado expuesta a la lluvia durante el trabajo, sáquela de la herramienta y déjela secar bajo techo. Asegúrese de que está completamente seca antes de cargarla o de usarla.
 - Nunca sumerja en agua ni en ningún otro líquido una batería de STIHL.
- Nunca puentee los terminales de la batería con alambres ni con otros objetos metálicos.
- Cuando no la esté usando, mantenga la batería alejada de objetos metálicos (p. ej., presillas para papel, clavos, monedas, llaves).
- Nunca transporte ni guarde la batería en un recipiente de metal.
- Guarde la batería bajo techo, en un lugar seco.
- Nunca guarde la batería en entornos húmedos o corrosivos, ni en condiciones que podrían provocar corrosión en los componentes metálicos.
- Proteja la batería de la exposición a productos corrosivos, como las sustancias químicas utilizadas en el jardín o las sales descongelantes.
- Proteja la batería de la exposición a líquidos conductores como el agua salada.
- No intente reparar, abrir ni desmontar la batería. No contiene ninguna pieza que el usuario pueda reparar sin ayuda.
- El líquido que contiene la batería, y que puede derramarse en determinadas circunstancias, es potencialmente nocivo y puede provocar irritaciones en los ojos y en la piel, quemaduras químicas y otras lesiones graves.
 - Evite el contacto con la piel y con los ojos.
 - Para recoger el líquido de batería derramado, use un producto absorbente inerte, como la arena.
 - En caso de contacto accidental, limpie inmediatamente y a fondo la zona afectada con un jabón suave y agua.

- Si le entra líquido de batería en los ojos: no se los frote. Aclárese los ojos con agua corriente durante al menos 15 minutos y acuda al servicio médico más cercano.
- Si la batería se prende fuego, puede resultar peligrosa. Para reducir el riesgo de que se produzcan lesiones personales graves y daños materiales, en caso de incendio:
 - Evacue la zona. El fuego se puede extender rápidamente. Manténgase lejos de cualquier vapor que se genere y respete una distancia de seguridad suficiente.
 - Avise a los bomberos.
 - Aunque se puede usar agua para apagar un incendio de batería, es preferible utilizar un extintor de incendios de polvo químico multiuso.
 - El cuerpo de bomberos le informará sobre la forma adecuada de deshacerse de una batería incendiada.

8 Antes de empezar a trabajar

8.1 Preparación de la corta orillas para el uso

Antes de empezar a trabajar:

- ▶ Cargue por completo la batería,  9.
- ▶ Coloque el mango circular,  12.1.
- ▶ Coloque a la caja de engranajes,  12.2.
- ▶ Montar una cuchilla de corta orillas homologada,  12.3.
- ▶ Ajuste el mango circular,  13.1.
- ▶ Compruebe si los controles funcionan correctamente y si están en buen estado,  16.1.

9 Carga de la batería

9.1 Preparación del cargador para el funcionamiento

ADVERTENCIA

Lea y atégase a las precauciones de seguridad dadas en la batería y en el cargador y todas las advertencias e instrucciones que acompañan a dichos productos. Para reducir el riesgo de cortocircuito, que podría provocar una descarga eléctrica, un incendio y una explosión, asegúrese de que el cargador y sus componentes estén secos y no estén dañados; opere el cargador puertas adentro a la temperatura ambiente adecuada.

ADVERTENCIA

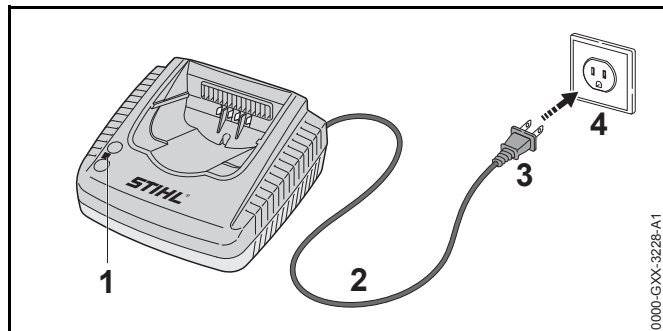
Un circuito eléctrico doméstico típico suministra entre 15 y 20 amperios. Un cargador STIHL AL 500 consume aproximadamente 4,8 A. Un cargador AL 300 consume aproximadamente 4,4 A. Para reducir el riesgo de incendios provocados por la sobrecarga de un circuito eléctrico:

- ▶ Asegúrese de que el sistema eléctrico tiene capacidad suficiente para resistir el consumo eléctrico previsto antes de cargar la batería.
- ▶ Si tiene que cargar varias baterías, cárguelas una a una o en circuitos separados, a menos que tenga la certeza de que su circuito resistirá el consumo total que necesitan todos los cargadores.

ADVERTENCIA

Dado que el cargador se calienta durante el proceso de carga, no haga funcionar el cargador sobre superficies que puedan incendiarse o en un lugar donde haya gases, líquidos, vapores, polvo u otros materiales y sustancias combustibles.

Para preparar el cargador para el funcionamiento:



- Inserte el enchufe (3) en una toma de corriente eléctrica (4) correctamente instalada y que coincida con la tensión y la frecuencia eléctrica indicadas en la placa de características del cargador.

El cargador ejecutará una autoprueba inmediatamente después de enchufarlo. El LED del cargador (1) se iluminará en verde durante 1 segundo aproximadamente, y luego en rojo por un lapso breve hasta apagarse. Una vez que el LED se apaga, la autoprueba ha finalizado y el cargador está listo para cargar la batería.

- Coloque el cordón eléctrico (2) de modo que no se pueda pisar, no cause tropiezos, no esté en contacto con objetos cortantes o con partes móviles y no pueda sufrir daños ni esté sujeto a esfuerzos de otro tipo.

9.2 Carga

⚠ ADVERTENCIA

Las baterías STIHL tienen características y dispositivos de seguridad que, de dañarse, pueden provocar que la batería genere calor, se rompa, pierda líquido, se incendie o explote. Nunca cargue una batería que funcione mal o que esté dañada, deformada o tenga fugas, ni utilice un cargador averiado. Nunca inserte una batería húmeda ni un adaptador de batería que esté mojado. Nunca use un cargador que esté mojado. Respete todas las advertencias e instrucciones específicas de su batería y de su cargador.

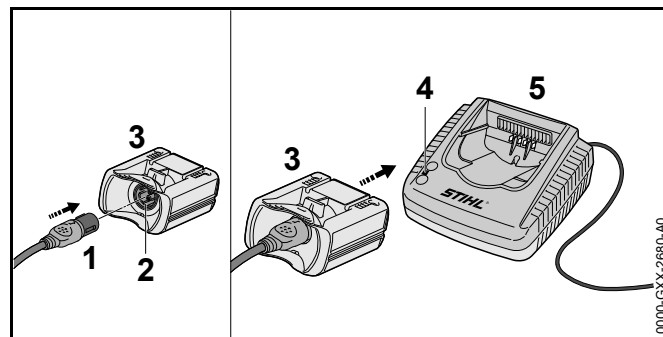
La batería no se suministra completamente cargada de fábrica. STIHL le recomienda que cargue la batería por completo antes de usarla por primera vez.

Utilice el cargador siempre bajo techo, en habitaciones secas y a temperaturas ambiente de entre 41 °F y 104 °F (5 °C y 40 °C).

La batería se calienta durante el funcionamiento de la herramienta motorizada. Si se conecta al cargador una batería caliente, puede ser necesario esperar a que se enfríe para que empiece a cargarse. El proceso de carga solo comienza una vez que la batería se ha enfriado lo suficiente.

El tiempo de carga depende de varios factores, tales como el estado de la batería y la temperatura ambiente. Si quiere ver una lista completa de los tiempos de carga aproximados, visite www.stihl.com/charging-times.

Para cargar una batería AR:



- Inserte el enchufe del cable de conexión (1) en el tomacorriente (2) del adaptador AP (3), hasta el tope.

- ▶ Inserte el adaptador AP en el cargador (5) hasta que haga tope.

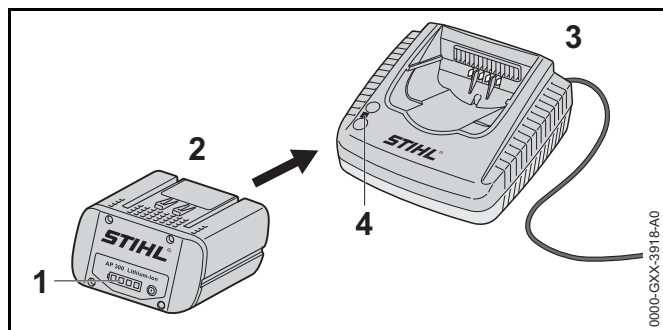
El LED del **cargador** (4) se ilumina en verde cuando la batería se está cargando.

Los LED de la **batería AR** se iluminan en verde e indican el estado de carga.

Cuando los LED de la batería se apagan, el proceso de carga ha finalizado y el cargador se apaga automáticamente. El adaptador AP se puede retirar del cargador.

- ▶ Desenchufe el cordón eléctrico del tomacorriente cuando el cargador no se vaya a usar durante un periodo prolongado.
- ▶ Cargue las baterías tipo mochila AR de STIHL únicamente con cargadores de las gamas AL 300 o AL 500 de STIHL auténticos.

Para cargar una batería AP:



- ▶ Inserte la batería (2) en el cargador (3) hasta que haga tope.

El LED del **cargador** se ilumina en verde cuando la batería se está cargando.

Los LED (1) de la **batería AP** se iluminan en verde e indican el estado de la carga.

Cuando los LED de la batería se apagan, el proceso de carga ha finalizado y el cargador se apaga automáticamente. La batería AP se puede retirar del cargador.

- ▶ Desenchufe el cordón eléctrico del tomacorriente cuando no esté usando el cargador.

- ▶ Para cargar las baterías de la gama AP de STIHL, utilice siempre cargadores STIHL AL 101, AL 300 o AL 500 auténticos.

10 Diagnóstico por LED y señales acústicas

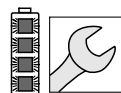
10.1 Batería AP de STIHL

10.1.1 Estado de la batería

Cuatro LED muestran el estado de la batería. Estos LED pueden encenderse o destellar en verde o rojo.



Si un LED se enciende en rojo continuamente, la batería está demasiado caliente o demasiado fría. Deje que la batería se caliente o se enfríe gradualmente a una temperatura ambiente de aproximadamente 10 °C a 20 °C (50 °F a 68 °F).



Si los cuatro LED destellan en rojo: la batería está averiada y debe reemplazarse. No intente cargar, usar ni guardar la batería.

10.1.2 Estado de la herramienta motorizada

Los mismos LED en la batería indican el estado de la herramienta motorizada.

Si tres LED se encienden en rojo continuamente, el motor de la herramienta motorizada está demasiado caliente. Deje que el motor se enfríe.

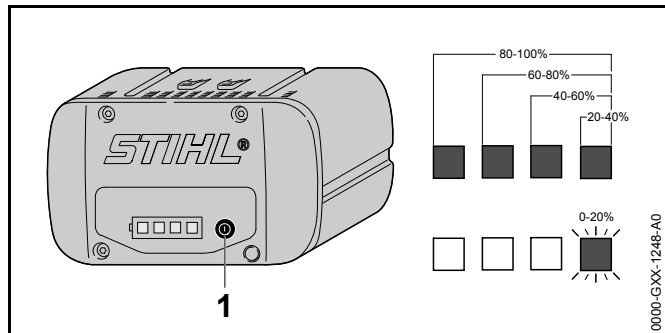
Si tres LED destellan en rojo cuando activa el gatillo, la herramienta motorizada tiene un defecto eléctrico. No utilice la herramienta motorizada. Solicite a un concesionario de servicio STIHL autorizado que la revise antes de usarlo.

Para información de localización de averías, 23.

10.1.3 Estado de carga

Los LED en la batería también muestran el estado de carga de la batería.

Para determinar el estado de carga de la batería:



- Presione el botón (1) en la batería. Los LED de la batería se encenderán o destellarán en verde por unos 5 segundos e indicarán el estado de carga (vea la ilustración).

Por ejemplo:

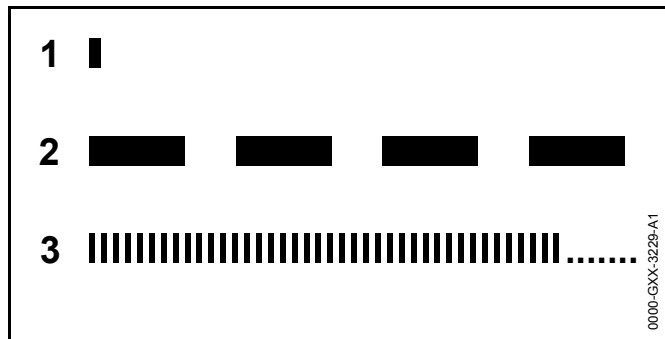
Si cuatro LED se encienden en verde continuamente, la carga está completa.

Si un LED destella en verde, queda menos del 20 % de la carga.

10.2 Batería de mochila STIHL AR

10.2.1 Estado de la batería

Seis LED y una señal acústica denotan el estado de la batería.



1 Un pitido breve

La señal acústica funciona como debe hacerlo.

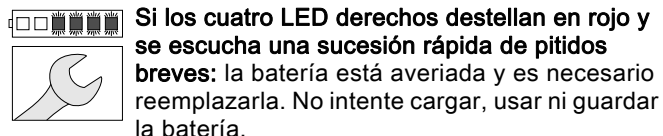
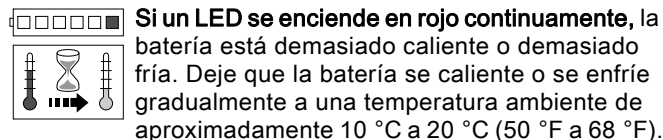
2 Cuatro o seis tonos largos (AR L)

La batería tiene poca carga. Recargue la batería.

3 Sucesión rápida de pitidos breves

Hay una falla en la batería. La señal se detiene automáticamente al cabo de unos segundos. No intente cargar, usar ni guardar la batería. Sustituya la batería.

Estos LED pueden encenderse o destellar en verde o rojo.



- Sea consciente de que su capacidad para oír la señal acústica puede verse disminuida si usa protectores para oídos.

10.2.2 Estado de la herramienta motorizada

Cuando la batería está conectada con la herramienta motorizada, los mismos LED en la batería indicarán el estado de la herramienta motorizada.

Si tres LED se encienden en rojo continuamente, el motor de la herramienta motorizada está demasiado caliente. Deje que el motor se enfríe.

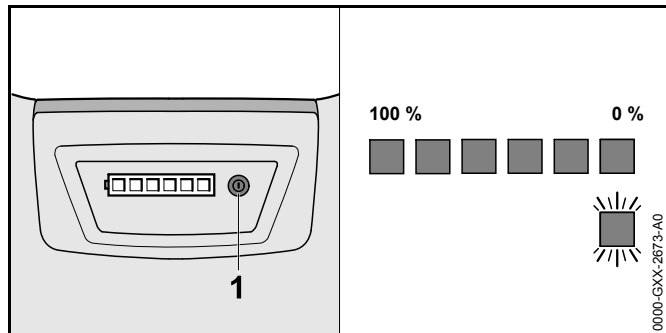
Si tres LED destellan en rojo cuando activa el gatillo, la herramienta motorizada tiene un defecto eléctrico. No utilice la herramienta motorizada. Solicite a un concesionario de servicio STIHL autorizado que la revise antes de usarlo.

Para información de localización de averías, 23.

10.2.3 Estado de carga

Los LED y señales acústicas en la batería también muestran el estado de carga de la batería.

Para determinar el estado de carga de la batería:



► Pulse el botón (1) en la batería tipo mochila.

Se escucha un pitido breve. Los LED de la batería se encenderán o destellarán en verde por unos 5 segundos e indicarán el estado de carga (vea la ilustración).

Por ejemplo:

Si seis LED se encienden en verde continuamente, la carga está completa.

Si un LED verde destella y se escuchan cuatro pitidos largos: resta menos de un 20 % de carga.

11 Batería de mochila STIHL AR

11.1 Colocación del cordón de conexión en posición

⚠ ADVERTENCIA

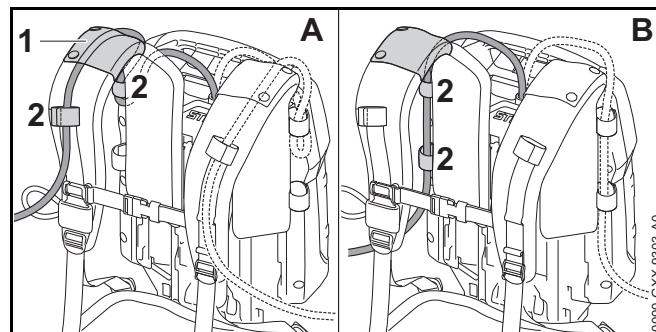
Para reducir el riesgo de lesionarse por tropezar con el cordón de conexión o por la pérdida del control de la herramienta motorizada, siempre asegure el cordón de conexión con el cierre de velcro de la manera descrita a continuación. Siempre coloque y asegure el cordón de conexión de manera que no interfiera con las técnicas de

uso adecuado descritas en el manual de instrucciones de la herramienta o con su capacidad de mantener el control de la misma.

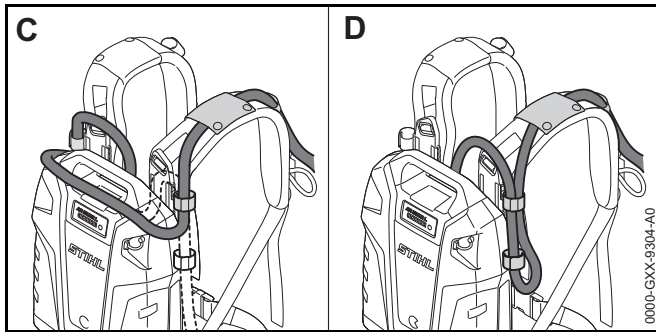
⚠ ADVERTENCIA

Coloque el cordón de manera que se impida que entre en contacto con el accesorio de corte/trabajo o que se enganche en algún objeto, lo cual podría hacerle perder el equilibrio o el control de la herramienta motorizada y dar por resultado lesiones personales graves y daños a la propiedad.

El cordón de conexión puede asegurarse en posiciones diferentes y ajustarse según la estatura y el alcance del operador.



El cordón de conexión puede pasarse por la guía (1) en la tira para el hombro (ilustración A) o a lo largo de la placa trasera (ilustración B). Asegure el cordón de conexión al arnés y con los cierres de velcro (2). Siempre asegure el cordón de conexión utilizando la guía o cierres de velcro hacia el mismo lado del cuerpo en el cual se sujeta y se controla la herramienta motorizada. No permita que el cordón de conexión penda delante de su cuerpo ni a su costado.



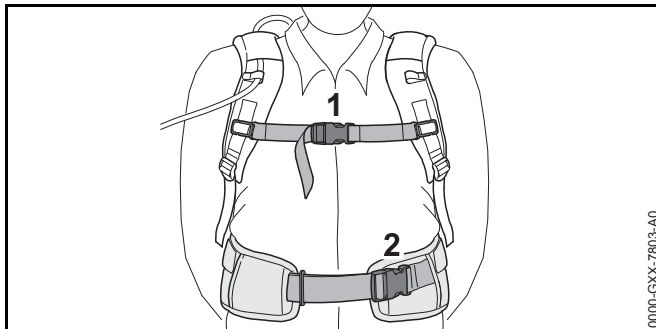
La longitud del cordón de conexión puede ajustarse por medio de formar un lazo por la parte superior (Ilust. C) o por el costado (Ilust. D) de la batería tipo mochila, fijándolo con cierres de velcro.

11.2 Colocación del arnés

! ADVERTENCIA

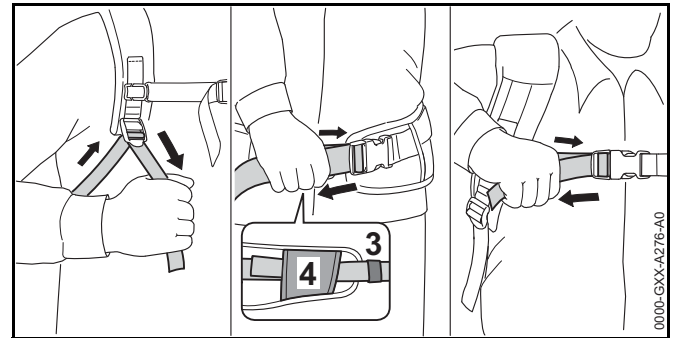
El operador deberá poder despojarse de la batería tipo mochila rápidamente en caso de emergencia. En caso de emergencia, desabroche y quítese el cinturón y la tira de pecho rápidamente, antes de dejar caer la batería al suelo.

Para asegurar una colocación adecuada:



- ▶ Colóquese la batería tipo mochila sobre la espalda.
- ▶ Abroche y ajuste el cinturón (2) de modo que repose de manera cómoda pero segura sobre sus caderas.

- ▶ Abroche la tira para el pecho (1) y ajústela de modo que quede cómoda pero segura por su pecho.



- ▶ Ajuste las tiras del arnés de modo que la almohadilla de la placa quede ajustada y segura contra su espalda.
- ▶ Siempre colóquese el arnés de la batería sobre los dos hombros.
- ▶ Pase el extremo del cinturón por las argollas (3) y (4).
- ▶ Para quitarse el arnés, desabroche las hebillas de soldado rápido del cinturón y de la tira para el pecho y afloje las tiras del arnés por medio de levantar los ajustadores deslizantes.

Para ayudar a reducir el riesgo de lesionarse en caso de emergencia, practique la apertura rápida del sujetador del cinturón y de la correa de pecho, el soldado de las correas de hombro y despojarse de la batería.

INDICACIÓN

Para evitar daños, coloque la batería suavemente en el suelo cuando esté practicando. No permita que la batería caiga al suelo ni la lance.



12 Armado de la orilladora

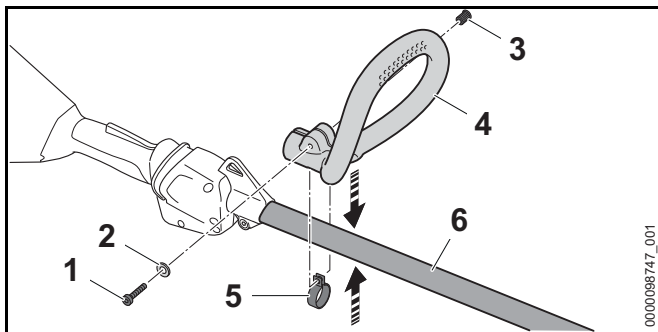
12.1 Montaje del mango circular

⚠ ADVERTENCIA

Para reducir el riesgo de lesionarse por la pérdida del control sobre la máquina, compruebe que el mango circular está montado de forma correcta y segura antes de empezar a trabajar.



Para montar el mango circular:

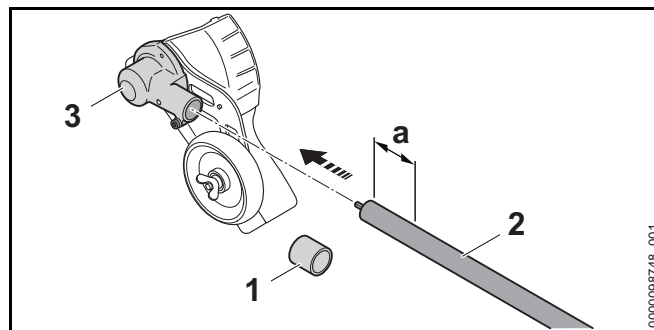
- ▶ Apague la herramienta motorizada,  15.2.
- ▶ Retire la batería,  14.2.



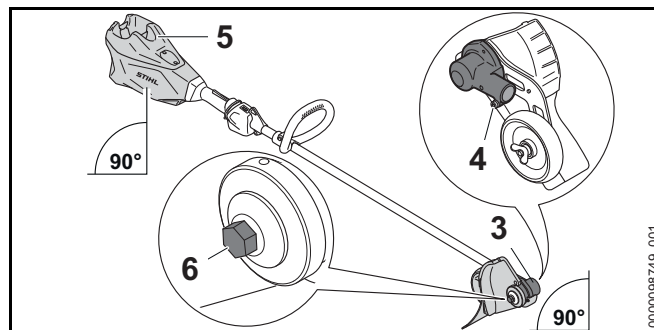
- ▶ Empuje la abrazadera (5) en el tubo de accionamiento (6) con la apertura hacia arriba.
- ▶ Empuje el asidero de estribo (4) sobre la abrazadera y el tubo de accionamiento.
- ▶ Fije la barra de defensa a la rosca (3).
- ▶ Coloque la arandela (2) en el tornillo (1) e introduzca el tornillo a través del orificio del asidero de estribo y la abrazadera.
- ▶ Apriete bien el tornillo. Asegúrese de que el mango está bien fijo y de que no se va a mover durante el trabajo.

12.2 Montaje de la caja de engranajes

- ▶ Apague la corta orillas,  15.2.
- ▶ Retire la batería,  14.2.




- ▶ Retire la tapa (1) del extremo redondo del tubo de mando (2).
- ▶ Marque el tubo de mando en $a = 1,5$ in. (3,8 cm).
- ▶ Encaje la caja de engranajes (3) en el tubo de mando, hasta la marca a.




- ▶ Alinee la carcasa del motor (5) y la caja de engranajes (3) como se muestra en la ilustración. Asegúrese de que la apertura de la batería está orientada hacia arriba y la rueda de profundidad hacia abajo.
- ▶ Apriete el tornillo (4).
- ▶ Si la caja de engranajes no se puede encajar en el tubo de mando hasta la marca a: Gire la tuerca (6) que sujeta la cuchilla de la orilladora hasta que pueda empujar el engranaje.

12.3 Montaje de la cuchilla de la corta orillas



⚠ ADVERTENCIA

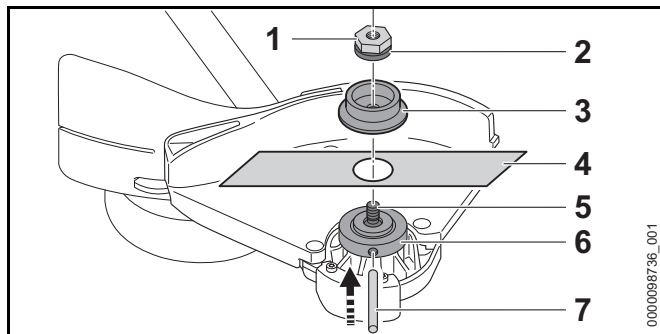
La cuchilla de la corta orillas es metálica y puede estar lo suficientemente afilada como para cortarles, incluso cuando no está en movimiento. Use siempre guantes resistentes al montar o manipular la cuchilla de la corta orillas,  5.5.

⚠ ADVERTENCIA

Una cuchilla de corta orillas dañada o suelta puede vibrar, agrietarse, romperse o salirse de la máquina, lo que puede provocar lesiones graves o mortales o daños a la propiedad. Asegúrese de que la cuchilla de la corta orillas esté bien apretada y en buen estado antes de empezar a trabajar,  5.7.4.

Para instalar la cuchilla de corta orillas:

- ▶ Apague la herramienta motorizada,  15.2.
- ▶ Retire la batería,  14.2.



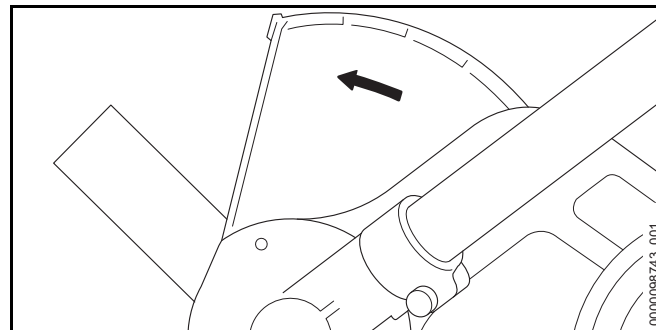
- ▶ Coloque la máquina de modo que pueda ver el lado inferior del deflector y que el eje impulsor quede orientado hacia arriba.
- ▶ Inserte el pasador de tope (7) en el agujero de la placa de empuje (6) y gire la placa de empuje hasta que el pasador de tope encaje en su posición e impida que el tubo de mando gire.
- ▶ Desenrosque la tuerca (1) girándola en sentido horario.
- ▶ Quite la arandela de empuje (3).

- ▶ Coloque la cuchilla de corta orillas (4) directamente sobre la placa de empuje.
- ▶ Deslice la arandela de empuje en el eje impulsor.
- ▶ Enrosque la tuerca en sentido contrario a las agujas del reloj, con el muelle de la copa (2) orientado hacia la arandela de empuje, y apriétela hasta que la cuchilla de la corta orillas quede bien sujeta.
- ▶ Saque el pasador de tope del agujero de la caja de empuje.

⚠ ADVERTENCIA

Para reducir el riesgo de lesiones por una cuchilla de corta orillas insegura, inspeccione periódicamente la tuerca y el muelle de la copa. Sustitúyalos si muestran signos de daño o desgaste.

INDICACIÓN



Las flechas en el deflector (vista lateral) muestran el sentido correcto de rotación de la cuchilla de la corta orillas. Visto desde arriba, la flecha del deflector debe apuntar siempre en dirección contraria a usted, para que los recortes y otros residuos sean desviados lejos de la máquina y de la posición del operador.

INDICACIÓN



Después de montar o retirar la cuchilla de corta orillas, siempre saque el pasador de tope que ha empleado para impedir que el tubo de mando gire.

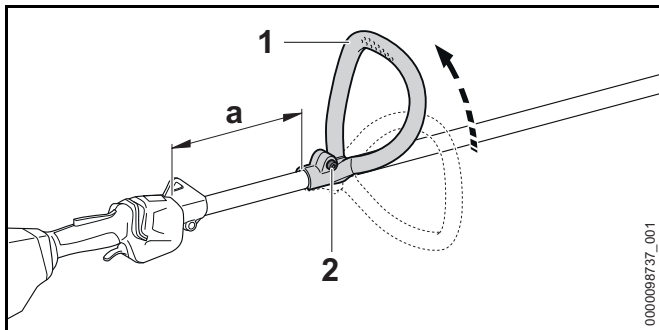
13 Ajuste de la corta orillas

13.1 Ajuste del mango circular

El asidero de estribo se puede montar de modo que se adapte a la altura y el alcance del operador.

Para ajustar la posición del mango circular:

- ▶ Apague la herramienta motorizada,  15.2.
- ▶ Retire la batería,  14.2.





- ▶ Afloje el tornillo (2) que sujeta el asidero de estribo al tubo de accionamiento.
- ▶ Gire el asidero de estribo (1) a la posición vertical.
- ▶ Deslice el asidero de estribo hasta la posición deseada en el tubo de accionamiento.
La distancia "a" recomendada es de aproximadamente 6 pulgadas. (15 cm).
- ▶ Apriete el tornillo hasta que el mango circular quede bien asegurado y no se pueda mover a lo largo del tubo de mando.


14 Colocación y extracción de la batería.

14.1 Colocación de la batería

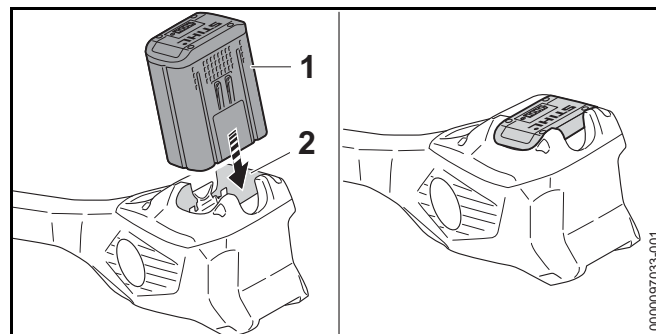
ADVERTENCIA

Nunca use una batería que esté defectuosa, dañada, agrietada, que pierda líquido o esté deformada,  7. Use y guarde la batería únicamente a una temperatura ambiente de entre 14 °F y 122 °F (- 10 °C y 50 °C),  7.


ADVERTENCIA

Para reducir el riesgo de activación involuntaria, nunca guarde la pila en la corta orillas,  20.2.

Para colocar la batería:



- ▶ Coloque la corta orillas sobre una superficie nivelada.
- ▶ Meta la batería (1) en su compartimento (2), hasta que haga tope.
La batería ha quedado colocada correctamente si se ha escuchado un clic y si la batería ha quedado al ras con la parte superior de la carcasa. En esta posición, hay contacto eléctrico entre la batería y la corta orillas.

Las baterías nuevas no están completamente cargadas. Por eso, STIHL recomienda cargarlas por completo antes de usarlas por primera vez,  9.

14.2 Extracción de la batería

⚠ ADVERTENCIA

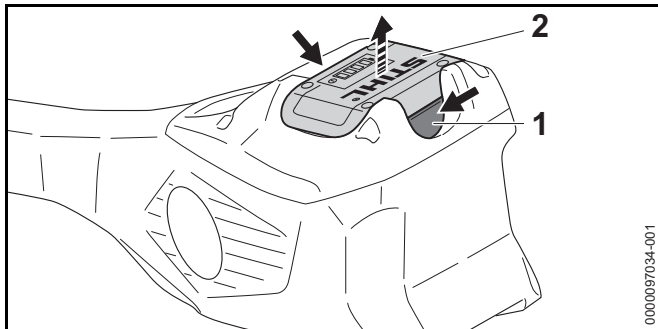
Para reducir el riesgo de lesiones graves provocadas por una activación accidental, retire la batería siempre antes de armar, transportar, ajustar, limpiar, reparar, mantener o guardar la corta orillas, y siempre que no se esté usando.

⚠ ADVERTENCIA

Saque la batería con cuidado, para evitar que se caiga y provoque lesiones o daños materiales.

Para quitar la batería:

- ▶ Suelte el gatillo.
- ▶ Coloque la corta orillas sobre una superficie nivelada.
- ▶ Coloque la mano detrás de la batería.



- ▶ Apriete las palancas de bloqueo (1) para sacar la batería (2) de su compartimento.

INDICACIÓN

Evite exponer la batería a un calor excesivo o a la luz solar directa durante períodos prolongados. El uso o el almacenamiento a temperaturas no incluidas en el rango de temperatura ambiente recomendado pueden reducir el rendimiento y/o la vida útil de la batería.

15 Encendido y apagado de la corta orillas

15.1 Encendido

⚠ ADVERTENCIA

Para reducir el riesgo de que el operador o terceros sufran lesiones graves o mortales, mantenga las manos, los pies y cualquier otra parte del cuerpo alejados de la cuchilla de corta orillas, 5.7.2. No toque la cuchilla de la corta orillas si la batería está colocada. No toque con las manos ni con ninguna parte del cuerpo una cuchilla de la corta orillas en movimiento 5.7.4.

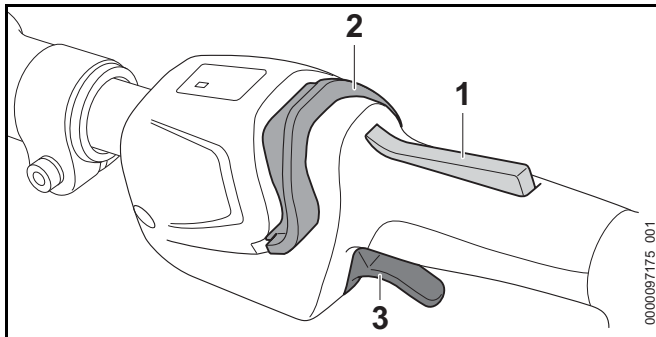
⚠ ADVERTENCIA

Nunca ponga en marcha la corta orillas si está dañado, mal ajustado o mal mantenido, si no se ha montado correctamente y por completo o si no funciona debidamente, 5.6. Para reducir el riesgo de lesiones, lleve siempre ropa y equipos de protección adecuados, incluida una protección adecuada para los ojos, 5.5. Para reducir el riesgo de lesiones graves o mortales provocadas por una pérdida de control, sujete la corta orillas siempre con ambas manos cuando trabaje, 5.7.2.

Antes de encender la máquina:

- ▶ Asegúrese de que tiene los pies bien apoyados.
- ▶ Mantenga una posición erguida.
- ▶ Siempre sujete y maneje la corta orillas firmemente con la mano derecha en el mango control y la mano izquierda en el asidero de estribo. Sujete siempre la corta orillas con las dos manos de esta manera, ya sea zurdo o diestro.

Para encender la corta orillas:



- ▶ Apriete y mantenga presionado el bloqueo del gatillo (1).
- ▶ Mientras mantiene apretado el bloqueo del gatillo, deslice el pestillo de retención (2) hacia adelante con el pulgar y suéltelo.
Los LED indican el nivel de potencia.
- ▶ Apriete el gatillo (3) con el dedo índice.
La cuchilla de corta orillas comenzará a moverse.

También puede desbloquear el interruptor del gatillo empujando el pestillo de retención hacia delante y pulsando el bloqueo del interruptor del gatillo antes de que transcurran 5 segundos (mientras el LED parpadee). Apriete el gatillo con el dedo índice para encender la cuchilla de la corta orillas.

El motor no se encenderá a menos que se haya apretado el bloqueo del gatillo, se haya deslizado el pestillo de retención hacia delante y se haya oprimido el gatillo.

Si el gatillo y el bloqueo del mismo se sueltan, los LED seguirán destellando durante aproximadamente 5 segundos. Mientras que los LED destellen, la corta orillas podrá encenderse sin tener que empujar el pestillo de retención hacia delante.

Cuanto más apriete el gatillo, más rápidamente girará la cuchilla de corta orillas.

15.2 Apagado

⚠ ADVERTENCIA

La cuchillas de corta orillas seguirán moviéndose por un tiempo breve después de que se suelta el gatillo. Para evitar lesiones graves o mortales, no esté en contacto con la cuchilla de corta orillas en movimiento. Asegúrese de que la cuchilla de la corta orillas se ha detenido antes de levantarla del suelo o de caminar con ella. Para reducir el riesgo de lesiones causadas por una activación accidental o por un uso no autorizado de la máquina, apague el motor, asegúrese de que la cuchilla de corta orillas se ha detenido y retire la batería antes de transportarla o de depositarla en el suelo.

Para apagar la corta orillas:

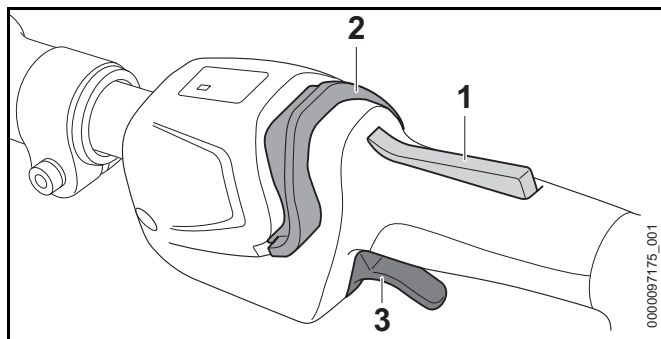
- ▶ Suelte el gatillo y su bloqueo, para que el gatillo vuelva a la posición de bloqueo. En la posición de bloqueo, el bloqueo del gatillo evita la activación del gatillo. La activación de la corta orillas también se bloquea por medios electrónicos por medio del pestillo de retención una vez que los LED hayan dejado de destellar (luego de unos 5 segundos).

La cuchillas de corta orillas seguirán moviéndose por un tiempo breve después de que se suelta el gatillo. Asegúrese de evitar el contacto después de soltar el gatillo y cuando deposite la corta orillas en el suelo.

16 Comprobación de la herramienta motorizada


16.1 Prueba de los controles

Antes de comenzar a trabajar, confirme que el bloqueo del gatillo (1), el pestillo de retención (2) y el gatillo (3) están libres de daños y que funcionan correctamente.



Bloqueo del gatillo (1), pestillo de retención (2) y gatillo (3)

⚠ ADVERTENCIA

Para reducir el riesgo de lesiones graves o mortales, mantenga las manos, los pies y cualquier otra parte del cuerpo alejados de la cuchilla de corta orillas. No toque la cuchilla de la corta orillas si la batería está colocada. No toque con las manos ni con ninguna parte del cuerpo una cuchilla de la corta orillas en movimiento  5.7.2. Asegúrese de que las personas de los alrededores se mantienen a una distancia de, como mínimo, 50 pies (15 m) mientras prueba los controles.

Para probar los controles:

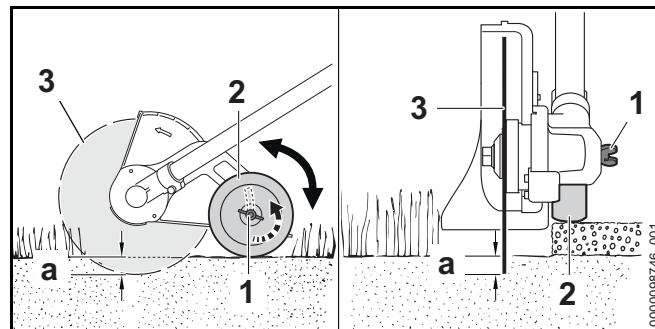
- ▶ Retire la batería.
- ▶ Intente apretar el gatillo.
Si el gatillo se puede presionar sin antes oprimir el bloqueo del gatillo, lleve la corta orillas a un concesionario de servicio STIHL autorizado para que sea reparado antes de utilizarlo.
- ▶ Oprima el bloqueo del gatillo y deslice el pestillo de retención hacia adelante. Compruebe que se mueven libremente y que al soltarlos vuelven a su lugar por la acción de resorte.
- ▶ Coloque la batería.

- ▶ Sujete la herramienta motorizada firmemente con las dos manos, envolviendo los mangos con todos los dedos. Mantenga oprimido el bloqueo del gatillo, deslice el pestillo de retención hacia delante con el pulgar y apriete el gatillo con el dedo índice. La corta orillas debería encenderse. En caso negativo, lleve la corta orillas a un concesionario autorizado de STIHL para que sea reparada antes de usarla.
- ▶ Suelte el gatillo.
La corta orillas debería apagarse.

Si la corta orillas no se apaga después de soltar el gatillo, retire la batería y lleve la corta orillas a un concesionario de servicio STIHL autorizado para que lo reparen antes de utilizarlo.

17 Durante el funcionamiento

17.1 Ajuste de profundidad de corte






Para ajustar la profundidad de corte:

- ▶ Apague la herramienta motorizada y quite la batería.
- ▶ Afloje la tuerca mariposa (1).
- ▶ Empuje la rueda de profundidad (2) hacia arriba para aumentar la profundidad de corte (A) o hacia abajo para reducir la profundidad de corte (a).


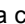
- ▶ STIHL recomienda ajustar la rueda de profundidad de modo que la cuchilla de la corta orillas (3) apenas toque el suelo o penetra la superficie del suelo por no más de 0,2 in. (5 mm).
- ▶ Apriete la tuerca mariposa.
- ▶ Compruebe la profundidad de corte estando en la posición normal de trabajo y corríjala si es necesario.

17.2 Uso de la orilladora

! ADVERTENCIA

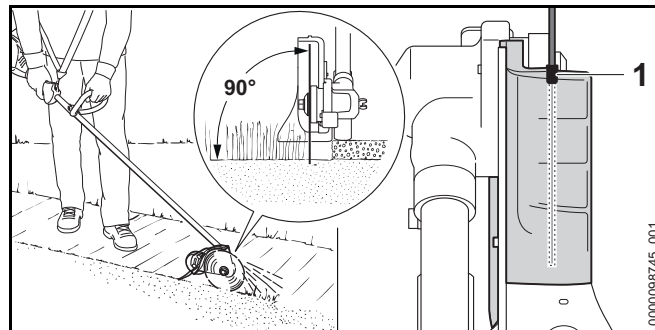
Cuando utilice la corta orillas, siempre lleve ropa adecuada y equipos protectores, incluida una protección adecuada para los ojos,  5.5. Asegúrese de que no hay nadie a un radio de como mínimo 50 pies (15 m) de la zona de trabajo,  5.7.4. Trabaje con cuidado y mantenga un control adecuado de la corta orillas,  5.7.2.

! ADVERTENCIA

Para reducir el riesgo de que el operador o terceros sufran lesiones graves o mortales, mantenga las manos, los pies y cualquier otra parte del cuerpo alejados de la cuchilla de corta orillas,  5.7.2. Asegúrese de que la cuchilla de la corta orillas se ha detenido antes de levantarla del suelo o de caminar con ella. No toque la cuchilla de la corta orillas si la batería está colocada dentro de la corta orillas. No toque con las manos ni con ninguna parte del cuerpo una cuchilla de la corta orillas en movimiento  5.7.4. Su corta orillas viene con el deflector y el faldón debidamente montados. No modifique el deflector o el faldón.

La corta orillas está diseñada para manejarse con las dos manos.

- ▶ Si la zona de trabajo está muy seca, rocíela ligeramente con agua.
Esto ablanda el suelo un tanto y también reduce la cantidad de polvo que se levanta.
- ▶ Quite todos obstáculos y objetos sólidos de la zona de trabajo antes de comenzar a trabajar.



- ▶ Comience a cortar a no menos de la mitad del acelerador y continúe cortando con el interruptor del gatillo completamente presionado.
- ▶ Sujete y guíe su herramienta eléctrica de manera que la cuchilla esté alineada verticalmente (90°) con el suelo.
- ▶ Empuje la corta orillas hacia delante lentamente, manteniendo la mano derecha en la empuñadura trasera y la mano izquierda en el asidero de estribo en todo momento. Camine a un paso normal mientras se corta, y nunca jale la unidad hacia usted.
- ▶ Corta lentamente y de forma constante para evitar que el motor se atasque y tener que hacer varias pasadas.
- ▶ Permita que la herramienta haga el trabajo. No fuerce la cuchilla de la corta orillas en el suelo.
- ▶ Utilice la mira (1) para alinear la cuchilla de la corta orillas con el borde del lecho.

Respete todas las leyes, las regulaciones, los estándares y las normas aplicables.



18 Después de completar el trabajo

18.1 Preparativos para el transporte o el almacenamiento

! ADVERTENCIA

Para reducir el riesgo de lesiones causadas por una activación accidental o por un uso no autorizado de la máquina, apague el motor, asegúrese de que la cuchilla de corta orillas se ha detenido y retire la batería antes de transportarla o de depositarla en el suelo.

Para preparar la corta orillas para el transporte o el almacenamiento:

- ▶ Apague la corta orillas,  15.2.
- ▶ Retire la batería,  14.2.
- ▶ Si la corta orillas o la batería se humedeció durante el funcionamiento, deje que se seque por completo antes de cargarla o guardarla.



19 Traslado de la corta orillas y batería

19.1 Corta Orillas

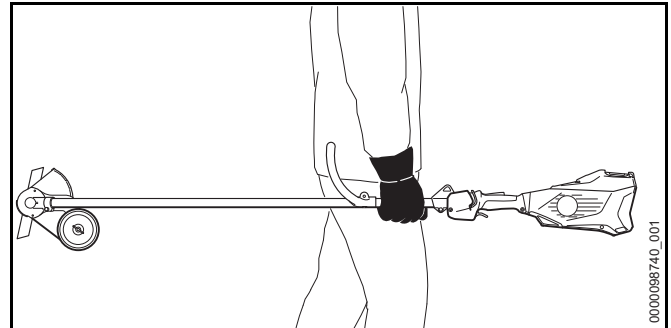
! ADVERTENCIA

Para reducir el riesgo de lesiones causadas por una activación accidental, nunca transporte la corta orillas con la batería colocada.

! ADVERTENCIA

Para reducir el riesgo de sufrir lesiones debido a la pérdida de control y al contacto con la cuchilla, nunca lleve ni transporte el corta orillas con la cuchilla en movimiento,  5.7.4. Asegúrese de que la cuchilla de la corta orillas se ha detenido antes de levantarla del suelo o de caminar con ella  5.7.4.


Al transportar la corta orillas:



- ▶ Cuando se acarrea la corta orillas a mano, sujete el tubo de mando de modo que la máquina permanezca paralela con respecto al suelo. Mantenga la cuchilla de corta orillas apuntando hacia atrás, en dirección opuesta a la que está caminando.
- ▶ Cuando transporte la corta orillas en un vehículo, asegúrela y colóquela para evitar que se vuelque, se golpee o se dañe.

19.2 Batería

! ADVERTENCIA

Para reducir el riesgo de cortocircuito, que podría generar una descarga eléctrica, un incendio o una explosión, nunca transporte la batería en un contenedor metálico o cerca de objetos de metal (por ejemplo, presillas de papel, clavos, monedas, llaves),  7

Al transportar la batería:

- ▶ Coloque la batería en un contenedor o una caja no metálicos y protéjala de impactos o daños. Nunca transporte la batería en un envase metálico u otro contenedor capaz de conducir electricidad, ni cerca de objetos metálicos (por ejemplo, presillas para papel, clavos, monedas, llaves, etc.).
- ▶ Si transporta la batería en un vehículo, asegúrela junto con su contenedor para prevenir vuelcos, impactos y daños.

Las baterías STIHL cumplen con los requisitos descritos en el Manual UN ST/SG/AC.10/11/Ver.5/Parte III, Subsección 38.3.

El transporte comercial por aire, agua y tierra de celdas de ion de litio y baterías está regulado. Esta batería está clasificada como un producto UN 3480, Clase 9 y grupo de envasado II. Para transportarla, ya sea como parte de la herramienta completa o sola, es necesario cumplir con todas las normas de transporte correspondientes. Antes del transporte o traslado, consulte con la empresa de transporte por tierra o agua, o bien con la aerolínea de carga o pasajeros, para determinar si el transporte está prohibido o sujeto a restricciones o exenciones.



Por lo general, el usuario no necesita cumplir con ninguna condición adicional para poder transportar baterías STIHL por carretera hasta el sitio donde se encuentra la herramienta eléctrica. Verifique y respete cualquier norma especial que pudiera aplicarse a su situación.

Para obtener más información, visite www.stihlusa.com/battery-transportation-safety.

20 Almacenamiento de la corta orillas y de la batería

20.1 Corta Orillas


ADVERTENCIA

Almacene la corta orillas en un lugar seco y seguro, inaccesible para los niños y otras personas no autorizadas,  6. Un almacenamiento inadecuado puede resultar en el uso de la corta orillas por parte de personas no autorizadas y, por tanto, en daños en la corta orillas,  6.

ADVERTENCIA



Para reducir el riesgo de activación accidental, nunca guarde la corta orillas con la batería colocada. Retire la batería siempre antes de guardar la máquina.

Cuando guarde la corta orillas:



- ▶ Retire, limpie e inspeccione la cuchilla de corta orillas. Recubrir con un inhibidor de corrosión.
- ▶ Limpiar la corta orillas,  21.1.
- ▶ Guarde la corta orillas bajo techo en un lugar seco y seguro, fuera del alcance de niños y otras personas no autorizadas.

20.2 Batería

ADVERTENCIA

Para reducir el riesgo de que se produzca un cortocircuito que, a su vez, podría causar una descarga eléctrica, un incendio o una explosión, nunca guarde la batería en un recipiente metálico ni cerca de objetos de metal,  7. Si la batería está húmeda o mojada, espere a que se seque por completo antes de guardarla,  7.

ADVERTENCIA

Las temperaturas extremas pueden dañar la batería y provocar que esta genere calor, se rompa, pierda líquido, se incendie o explote, lo que podría causar lesiones personales graves o fatales y daños materiales. Use y guarde la batería únicamente a una temperatura ambiente de entre 14 °F y 122 °F (- 10 °C y 50 °C),  7. Nunca guarde la batería en un lugar expuesto a la luz solar directa ni dentro de un vehículo si la temperatura exterior es elevada,  7.

Para guardar correctamente la batería:


- ▶ Retire la batería de la corta orillas o del cargador.
- ▶ Asegúrese de que la batería está seca y guárdela bajo techo, en un lugar seco y seguro.
- ▶ Asegúrese de que queda fuera del alcance de los niños y de otras personas no autorizadas.
- ▶ Proteja la batería de la humedad y de los productos corrosivos, como las sustancias químicas utilizadas en el jardín o las sales descongelantes.
- ▶ Proteja la batería de la exposición a líquidos conductores como el agua salada.

- ▶ Para alargar al máximo la vida útil de su batería, guárdela a una temperatura ambiente de entre 50 °F y 68 °F (10 °C y 20 °C), con un nivel de carga de entre el 40 % y el 60 % (2 LED verdes iluminados).
- ▶ Las baterías de repuesto no deben permanecer inutilizadas. Use todas sus baterías, por turnos.

21 Limpieza

21.1 Limpieza de la corta orillas y de la batería

⚠ ADVERTENCIA



Para reducir el riesgo de lesiones provocadas por una activación accidental, quite la batería antes de realizar cualquier trabajo de limpieza,  6. Los usuarios de esta corta orillas deben llevar a cabo únicamente las tareas de limpieza que se describen en este manual.

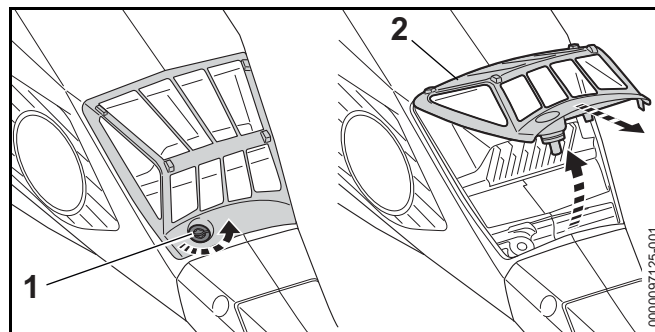
Para limpiar la corta orillas y la batería:

- ▶ Limpie los componentes de polímero de la herramienta motorizada con un trapo ligeramente húmedo. No use detergentes ni disolventes. Estos productos pueden dañar los componentes de polímero.
- ▶ No use una hidrolavadora para limpiar la corta orillas, ni la rocíe con agua ni con otros líquidos.
- ▶ Mantenga la carcasa y las guías de la batería libres de cuerpos extraños, y límpielas siempre que sea necesario con un cepillo blando o con un paño suave y seco.

21.2 Limpieza del filtro de aire

Para limpiar el filtro de aire:

- ▶ Apague la herramienta motorizada,  15.2.
- ▶ Retire la batería,  14.2.






- ▶ Limpie la zona alrededor del filtro de aire (2) con un paño húmedo o con un cepillo suave.
- ▶ Gire el tornillo (1) en sentido antihorario hasta que se pueda retirar el filtro de aire.
- ▶ Retire el filtro de aire levantándolo y tirando de él.
- ▶ Retire las partículas de suciedad más gruesas del exterior del filtro de aire con agua corriente. Nunca limpie el filtro de aire con una hidrolavadora.
- ▶ Si el filtro de aire está dañado, sustitúyalo.
- ▶ Espere a que el filtro de aire se seque.
- ▶ Una vez que el filtro de aire se haya secado por completo, colóquelo en su lugar a mano.
- ▶ Apriete el tornillo.

22 Inspección y mantenimiento


22.1 Tabla de inspección y mantenimiento

Siempre retire la batería antes de realizar cualquier trabajo de inspección, limpieza o mantenimiento.

Los intervalos de mantenimiento que figuran a continuación se dan a modo de ejemplo y corresponden a condiciones de trabajo normales. El uso que le dé a la máquina y su experiencia determinarán la frecuencia de inspección y de mantenimiento necesaria.		Antes de empezar a trabajar	Una vez terminado el trabajo	Cada 50 horas de funcionamiento	Capítulo correspondiente
Máquina completa	Inspección visual	X			
	Limpiar		X		 21
Controles	Comprobar el funcionamiento y el estado	X			 16.1
Protector contra desgaste	Comprobar la condición	X			
Cuchilla orilladora	Inspección visual	X	X		
	Comprobar la estanqueidad	X			
Filtro de aire	Limpiar			X	 21.2

22.2 Inspección y mantenimiento de la corta orillas

ADVERTENCIA

Para reducir el riesgo de lesiones personales causadas por una activación accidental, quite la batería antes de inspeccionar la corta orillas o de realizar cualquier tarea de mantenimiento,  6. Lleve a cabo únicamente las tareas de mantenimiento que se describen en este manual. No hay reparaciones que el usuario esté autorizado a llevar a cabo. STIHL le recomienda que encargue las reparaciones a concesionarios de servicio STIHL autorizados.

Para realizar el mantenimiento correcto de la corta orillas:

- ▶ Cambie las cuchillas de corta orillas que estén desgastadas o dañadas.
- ▶ Compruebe periódicamente la protección contra el desgaste y encargue a un servicio técnico autorizado de STIHL la sustitución de una protección contra el desgaste.



- ▶ Encargue la sustitución de un faldón, un deflector o una rueda de profundidad desgastados a un servicio técnico autorizado de STIHL.
- ▶ Si las etiquetas de seguridad están gastadas, dañadas o faltan, solicite al personal de su concesionario de servicio STIHL autorizado que las reemplace.

Si reclama cobertura de garantía para algún componente que no se ha reparado o mantenido debidamente, es posible que se le deniegue la garantía.

22.3 Inspección y mantenimiento de la cuchilla de corta orillas

ADVERTENCIA

Para reducir el riesgo de lesiones provocadas por una activación accidental, retire la batería antes de inspeccionar la cuchilla de corta orillas o de llevar a cabo cualquier

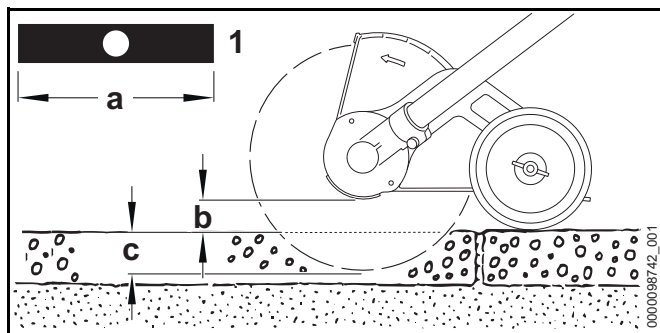
trabajo de mantenimiento,  6. Para evitar lesiones, siempre use guantes resistentes al manipular la corta orillas o su cuchilla de corte  5.5.

ADVERTENCIA

No intente enderezar o soldar una cuchilla de corta orillas doblada o agrietada. Si la cuchilla está dañada, debe ser sustituida.

ADVERTENCIA

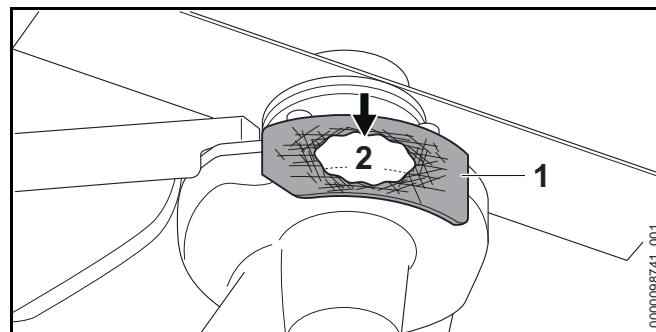
Si la corta orillas vibra de manera anormal, haga revisar la cuchilla de la corta orillas por un servicio técnico autorizado de STIHL. Debe ser sustituido si está desequilibrado.



- ▶ Sustituya la cuchilla de corta orillas (1) cuando su largo (A) deja de ser suficiente para mantener la altura necesaria sobre el suelo (B) y para así obtener la profundidad de corte deseada (C).
- ▶ No afile la cuchilla de la corta orillas.

22.4 Inspección y mantenimiento del protector de desgaste

- ▶ Apague la corta orillas y quite la batería.



- ▶ Compruebe que el protector de desgaste (1) no está completamente desgastado.
- ▶ Encargue a un servicio técnico autorizado de STIHL la sustitución de un protector de desgaste desgastado o dañado antes de que la caja de cambios (2) se haga visible.








INDICACIÓN

Si no se sustituye a tiempo una protección contra el desgaste, pueden producirse graves daños en la caja de cambios.



23 Guía de solución de problemas

23.1 Corta orillas y batería

Siempre retire la batería antes de realizar cualquier trabajo de inspección, limpieza o mantenimiento.

Problema	LED de la batería	Causa	Solución
La corta orillas no arranca cuando se enciende.		No hay contacto eléctrico entre la corta orillas y la batería.	<ul style="list-style-type: none"> ▶ Retire la batería,  14.2. ▶ Inspeccione visualmente los contactos eléctricos del compartimiento de la batería y de la batería. ▶ Vuelva a colocar la batería,  14.1.
	1 LED destella en verde. Gama STIHL AR: se emiten cuatro pitidos largos (AR L: seis pitidos).	La batería tiene poca carga.	<ul style="list-style-type: none"> ▶ Cargue la batería,  9.
	1 LED se ilumina en rojo.	La batería está demasiado caliente/demasiado fría.	<ul style="list-style-type: none"> ▶ Espere a que la batería se caliente o se enfríe gradualmente hasta alcanzar una temperatura ambiente de entre 50 °F y 68 °F aproximadamente (de 10 °C a 20 °C).
	4 LED destellan en rojo. Gama STIHL AR: además, se emite una sucesión rápida de pitidos cortos.	La batería no funciona correctamente.	<ul style="list-style-type: none"> ▶ Retire la batería y colóquela de nuevo,  14. ▶ Encienda la corta orillas,  15.1. ▶ Si los LED siguen destellando, no intente usar la máquina. La batería no funciona correctamente, y es necesario cambiarla.
	3 LED iluminados en rojo.	Corta orillas demasiado caliente.	<ul style="list-style-type: none"> ▶ Deje que la corta orillas se enfríe.
	3 LED destellan en rojo.	Hay un fallo de funcionamiento en la corta orillas.	<ul style="list-style-type: none"> ▶ Retire la batería y colóquela de nuevo,  14. ▶ Encienda la corta orillas,  15.1. ▶ Si los LED siguen destellando, no intente usar la máquina. La corta orillas tiene una avería y debe ser revisado por un concesionario de servicio.

Siempre retire la batería antes de realizar cualquier trabajo de inspección, limpieza o mantenimiento.

Problema	LED de la batería	Causa	Solución
		El gatillo ya se había apretado antes de deslizar el pestillo de retención.	► Encienda la corta orillas sólo como se describe en este manual de instrucciones.
La corta orillas se apaga durante la operación.	1 LED se ilumina en rojo.	La batería está demasiado caliente/demasiado fría.	► Retire la batería,  14.2. ► Deje que la corta orillas y la pila se enfríen gradualmente a una temperatura ambiente de unos 10 a 20 °C (50 a 68 °F).
	3 LED iluminados en rojo.	Corta orillas demasiado caliente.	
El tiempo de funcionamiento es demasiado corto.		La batería no está completamente cargada.	► Cargue la batería,  9.
		Se alcanzó o se superó la vida útil de la batería.	► Lleve la batería a un concesionario de servicio STIHL autorizado para que la revisen.
La batería no se carga, aunque el LED del cargador está encendido en verde.	1 LED se ilumina en rojo.	La batería está demasiado caliente/demasiado fría.	► Espere a que la batería se caliente o se enfríe gradualmente hasta alcanzar una temperatura ambiente de entre 50 °F y 68 °F aproximadamente (de 10 °C a 20 °C). ► Utilice el cargador únicamente en lugares cerrados y secos, a una temperatura ambiente de entre 41 °F y 104 °F (5 °C y 40 °C).

24 Especificaciones

24.1 STIHL FCA 140

- Tipos de batería aprobados:
 - Gama STIHL AP
 - Gama STIHL AR
- Peso sin accesorio de corte: 12,3 libras. (5,6 kg)
- Largo: 74 in. (1880 mm)

Si necesita información técnica sobre las baterías de las gamas AP y AR / AR L de STIHL, consulte la información de producto adjunta con su batería.

Si necesita información técnica sobre los cargadores de las gamas AL 101, 300 y 500 de STIHL, consulte la información de producto que se adjunta con su cargador.

Las baterías, los cargadores y otros accesorios se venden por separado. Póngase en contacto con su concesionario de servicio STIHL autorizado para obtener información sobre precios y disponibilidad.

24.2 Cuchillas de corta orillas autorizadas

Marca "4133/01"

- Largo: 7,9 in. (200 mm)
- Espesor: 0.09 pulg. (2,4 mm)

Marca "4133/02"

- Largo: 7,9 in. (200 mm)
- Espesor: 0.15 pulg. (3,8 mm)

24.3 Símbolos de la herramienta motorizada, del deflector y de la batería

Símbolo	Significado
V	Voltio
Hz	Hercio
A	Amperio
Ah	Amperio-hora
W	Vatio
Wh	Vatio-hora
AC	Corriente alterna
IP20	Grado de protección eléctrica



Símbolo de encendido en el pestillo de retención.



Símbolo en el deflector que indica el sentido de giro correcto del accesorio de corte.



Velocidad nominal del accesorio de corte



Número de pilas y energía acumulada de acuerdo con las especificaciones del fabricante de las pilas. La cantidad de energía aprovechable será menor.



Los productos STIHL no se deben eliminar junto con la basura doméstica, sino de acuerdo con las leyes y normas locales, estatales y federales y como se especifica en este manual, 27.



El sello RBRC indica que STIHL ha pagado por adelantado el reciclaje de la batería

24.4 Mejoras técnicas

STIHL tiene la filosofía de mejorar continuamente todos sus productos. Como resultado de ello, periódicamente se introducen cambios de diseño y mejoras. Por lo tanto, es posible que algunos cambios, modificaciones y mejoras no se describan en este manual. Si las características de

funcionamiento o la apariencia de su máquina difieren de las descritas en este manual, comuníquese con el concesionario STIHL para obtener la ayuda que requiera.

No cambie ni modifique este producto en modo alguno, a menos que se le indique específicamente hacerlo en este manual, puesto que podría anular la autoridad de usarlo.

24.5 Declaración de cumplimiento con norma FCC 15

Este dispositivo cumple con la parte 15 de las normas de la FCC.

El funcionamiento está sujeto a las dos condiciones dadas a continuación:

- este dispositivo no deberá causar interferencias nocivas.
- este dispositivo deberá aceptar todas las interferencias que reciba, incluso las interferencias que pudieran causar un funcionamiento no deseado.

Nota: Este equipo ha sido sometido a prueba y se ha hallado que cumple con los límites de los dispositivos digitales Categoría B, según la parte 15 del Reglamento de la FCC. Estos límites están diseñados para ofrecer protección razonable contra las interferencias nocivas en una instalación residencial. Este equipo genera, utiliza y puede irradiar energía a radiofrecuencias y, si no se lo instala y utiliza conforme a las presentes instrucciones, podría causar interferencias nocivas para las comunicaciones por radio. No obstante, no se ofrece garantía alguna de que la interferencia no ocurrirá en una instalación particular.

Si este equipo llegara a causar interferencias perjudiciales a la recepción de radio o televisión, lo cual puede determinarse encendiendo y apagando el equipo, se le indica al usuario que intente corregir la interferencia por medio de tomar una o más de las medidas siguientes:

- reoriente o cambie la ubicación de la antena de recepción,
- aumente la separación entre el equipo y el receptor,
- conecte el equipo a un tomacorriente de un circuito diferente al cual está conectado el receptor,
- consulte a un concesionario de servicio STIHL autorizado o a un técnico de radio/TV experto para recibir ayuda.

25 Combinaciones de arnés aprobadas

25.1 Combinaciones de arnés

ADVERTENCIA

El operador debe poder desenganchar el arnés rápidamente en caso de emergencia. Para reducir el riesgo de lesiones en caso de emergencia:

- ▶ Practique el proceso de desenganchar y depositar la herramienta motorizada, como haría en caso de emergencia. Para evitar daños, no tire la herramienta motorizada al suelo cuando esté practicando.
- ▶ Utilice sólo una de las opciones de arnés permitidas. No combine diferentes arneses u otras combinaciones de arneses cuando utilice su herramienta eléctrica.

Para su corta orillas están disponibles los siguientes arneses:



Correa para el hombro



Arnés completo



Cinturón para batería STIHL con bolsa de batería de STIHL AP con cordón de conexión en combinación con la correa para el hombro



Cinturón para batería STIHL con bolsa de batería de STIHL AP con cordón de conexión en combinación con arnés para el hombro y almohadilla para la cadera




Batería tipo mochila STIHL AR en combinación con almohadilla para la cadera



Batería tipo mochila STIHL en combinación con almohadilla para la cadera

26 Piezas y equipos de repuesto

26.1 Piezas de repuesto originales de STIHL

STIHL recomienda el uso de piezas de repuesto originales de STIHL. Es posible identificar las piezas originales de STIHL por el número de pieza STIHL, el logotipo de **STIHL** y, en ciertos casos, el símbolo  de piezas STIHL. En las piezas pequeñas el símbolo puede aparecer solo.

27 Eliminación

27.1 Desecho de la herramienta motorizada

Los productos STIHL no se deben desechar junto con la basura del hogar, sino de la manera en que se detalla en este manual.

- ▶ Tome la herramienta motorizada y su embalaje a un sitio aprobado para desecharla y que efectúe un reciclaje no dañino al medio ambiente.
- ▶ Comuníquese con un concesionario de servicio STIHL autorizado para obtener la información más actualizada sobre eliminación y reciclado.

27.2 Reciclado de las baterías

ADVERTENCIA

Manipule las baterías descargadas/agotadas con cuidado. Aunque parezca que están descargadas, las baterías de ion de litio nunca se descargan completamente y pueden generar una corriente de cortocircuito peligrosa. Si se dañan o exponen a temperaturas extremas, pueden perder líquido, generar calor, incendiarse o explotar.

- ▶ Respete todas las leyes y normas federales, estatales y locales sobre eliminación de desechos.
- ▶ Comuníquese con un concesionario de servicio STIHL autorizado para obtener la información más actualizada acerca de la eliminación de desechos.
- ▶ Recicle las baterías agotadas rápidamente.
- ▶ Mantenga las baterías alejadas de los niños. No desarme el producto ni lo incinere.



STIHL está comprometida con el desarrollo de productos que protejan el medio ambiente. Este compromiso no termina cuando el producto sale del concesionario de servicio STIHL autorizado. STIHL se asoció con la RBRC (Corporación de Reciclaje de Baterías Recargables) para fomentar la recolección y el reciclado de baterías de ion de litio STIHL en los Estados Unidos y Canadá.

El sello de la RBRC indica que STIHL ya aportó dinero para el reciclado de la batería. El sello de la RBRC lleva impreso un número telefónico gratuito (1-800-822-8837) que le permite acceder a información sobre lugares de reciclaje de baterías y prohibiciones o restricciones respecto del reciclado de baterías en su zona. También puede devolver las baterías a cualquier concesionario de servicio STIHL autorizado para reciclarlas gratuitamente.

28 Garantía limitada

28.1 Política de garantía limitada de STIHL Incorporated

Este producto se vende sujeto a la Política de garantía limitada de STIHL Incorporated, disponible en www.stihlusa.com/warranty.html. También puede obtenerlo de un concesionario de servicio STIHL autorizado o llamando al 1-800-GO-STIHL (1-800-467-8445).

28.2 DECLARACIÓN DE GARANTÍA DE STIHL Incorporated SOBRE SISTEMAS DE CONTROL DE EMISIONES SEGÚN NORMAS DE CALIFORNIA

Solo para California

SUS DERECHOS Y OBLIGACIONES DE GARANTÍA

El Consejo de Recursos del Aire del Estado de California (CARB) y STIHL Incorporated se complacen en explicarle la Garantía del sistema de control de emisiones instalado en su motor con emisiones nulas de su equipo pequeño de uso fuera de carretera del año 2021 y posteriores.

En California, el equipo nuevo que tiene motores pequeños con emisiones nulas para uso fuera de carretera debe estar diseñado, construido y equipado de conformidad con las rigurosas normas de contaminación del aire del estado. STIHL Incorporated debe garantizar el sistema de control de emisiones del motor pequeño con emisiones nulas para uso fuera de carretera por los intervalos que se mencionan más adelante, siempre que dicho motor o equipo no haya estado sujeto a maltrato, negligencia o cuidado inapropiado y ello causara la falla del sistema de control de emisiones.

El sistema de control de emisiones puede tener componentes tales como un motor con emisiones nulas, una unidad de control del motor, una batería y un cargador de baterías.

Si se da una condición amparada por la garantía, STIHL Incorporated reparará el motor pequeño con emisiones nulas para equipo de uso fuera de carretera sin costo alguno, incluido el diagnóstico, las piezas y la mano de obra.

RESPONSABILIDADES DEL FABRICANTE EN RELACIÓN CON LA GARANTÍA

El sistema de control de emisiones de su motor pequeño para uso fuera de carretera tiene una garantía de dos años. Si está defectuoso alguno de los componentes relacionados con el sistema de control de emisiones de su motor pequeño con emisiones nulas para uso fuera de carretera, será reparado o sustituido por STIHL Incorporated sin costo alguno.

RESPONSABILIDADES DEL PROPIETARIO EN RELACIÓN CON LA GARANTÍA

Como propietario de motor pequeño con emisiones nulas para equipo de uso fuera de carretera, usted tiene la responsabilidad de llevar a cabo el mantenimiento requerido que se describe en su manual de instrucciones. STIHL Incorporated le recomienda que conserve todos los recibos de los trabajos de mantenimiento hechos en su motor pequeño con emisiones nulas para equipo de uso fuera de carretera, pero STIHL Incorporated no puede denegar la garantía basándose únicamente en el hecho de que faltan recibos o de que el propietario no ha cumplido con su obligación de llevar a cabo todos los trabajos de mantenimiento programados.

Sin embargo, como propietario del motor pequeño con emisiones nulas para equipo de uso fuera de carretera, usted debe ser consciente de que STIHL Incorporated puede negarle la garantía si dicho motor o un componente del mismo ha fallado debido a maltrato, descuido, mantenimiento inadecuado o modificaciones no autorizadas.

Usted es responsable de llevar el motor pequeño con emisiones nulas para equipo de uso fuera de carretera a un concesionario de servicio de STIHL tan pronto surja el problema. Las reparaciones cubiertas por la garantía deben realizarse en un tiempo razonable, de no más de 30 días.

Si tiene cualquier duda sobre sus derechos y sus responsabilidades en relación con la garantía, póngase en contacto con un representante del servicio de atención al cliente de STIHL llamando al 1-800-467-8445, o si lo prefiere, escriba a

STIHL Incorporated
536 Viking Drive
P.O. Box 2015
Virginia Beach, VA
23452-2015
www.stihlusa.com

COBERTURA OFRECIDA POR STIHL INCORPORATED

STIHL Incorporated garantiza al último comprador y a cada uno de los compradores subsiguientes que el motor pequeño con emisiones nulas para equipo de uso fuera de carretera está diseñado, construido y equipado, en el momento de la venta, de conformidad con todos los reglamentos sobre emisiones aplicables.

Además, STIHL Incorporated garantiza también al comprador inicial y a cada comprador subsiguiente que el motor con emisiones nulas está libre de defectos de fabricación y de materiales que podrían provocar que el motor no cumpliera los reglamentos sobre emisiones aplicables durante un período de dos años.

PERÍODO DE GARANTÍA CONTRA DEFECTOS

El período de garantía comenzará el día en que el comprador inicial adquiera el motor con emisiones nulas de equipo utilitario. Si cualquier pieza de su motor de emisiones nulas relacionada con el sistema de control de emisiones está defectuosa, será sustituida por STIHL Incorporated sin costo alguno para el propietario.

No está permitido usar componentes adicionales o modificados que no hayan sido eximidos por el Consejo de Recursos del Aire (CARB). El uso de cualquier componente adicional o modificado no eximido será motivo de denegación de la garantía. STIHL Incorporated no asumirá

responsabilidad alguna por fallas en los componentes cubiertos por la garantía causadas por el uso de un componente adicional o modificado no eximido.

La garantía que cubre los componentes relacionados con las emisiones se interpretará de la manera siguiente:

- 1) Cualquier componente garantizado cuyo reemplazo no está programado como mantenimiento requerido en las instrucciones escritas requeridas en la Lista de Piezas bajo la Garantía de Control de Emisiones (vea más abajo) debe garantizarse por el período de garantía definido en la subsección COBERTURA POR STIHL INCORPORATED, vea más arriba. Si uno de estos componentes falla durante el período de garantía, el fabricante debe repararlo o sustituirlo de acuerdo con la subsección (4), más abajo. Un componente reparado o sustituido bajo la garantía debe garantizarse durante el resto del período de garantía.
- 2) Cualquier componente garantizado que solamente debe inspeccionarse periódicamente de acuerdo con las instrucciones escritas requeridas en la Lista de Piezas bajo la Garantía de Control de Emisiones (vea más abajo) debe garantizarse por el período de garantía definido en la subsección COBERTURA POR STIHL INCORPORATED, vea más arriba. Una declaración en las instrucciones escritas tal como "reparar o sustituir según sea necesario" no acortará el período de cobertura de garantía. Un componente de este tipo que se haya reparado o sustituido bajo la garantía debe garantizarse durante el resto del período de garantía.
- 3) Cualquier componente cubierto por la garantía para el que esté programada una tarea necesaria de mantenimiento en las instrucciones por escrito requeridas por la lista de piezas bajo la garantía de control de emisiones (vea más abajo) debe garantizarse por el periodo de tiempo anterior al primer punto de sustitución programado para este componente. Si el componente falla antes de la primera sustitución programada, el fabricante del motor con emisiones nulas debe repararlo o sustituirlo de acuerdo con la subsección (4), más abajo. Cualquier componente de este tipo que se haya reparado o sustituido bajo la garantía debe garantizarse por el resto del período previo al primer punto de sustitución programado para el componente.

4) La reparación o sustitución de cualquier componente cubierto por la garantía debe llevarse a cabo en una estación de reparaciones de garantía sin costo alguno para el propietario.

5) No obstante lo expuesto en la subsección (4), más arriba, los servicios o las reparaciones bajo garantía se proveerán en todos los centros de distribución del fabricante autorizados para dar servicio a los motores con emisiones nulas en cuestión.

6) Al propietario no se le debe cobrar el trabajo de diagnóstico que establece que el componente garantizado está realmente defectuoso, siempre y cuando este trabajo de diagnóstico se lleve a cabo en una estación de reparaciones bajo garantía.

TRABAJO BAJO GARANTÍA

STIHL Incorporated reparará los defectos amparados por la garantía en cualquier estación de garantía o centro de servicio autorizado por STIHL. Cualquier trabajo de este tipo se llevará a cabo sin costo alguno para el propietario si se determina que la pieza cubierta por la garantía está defectuosa. Para llevar a cabo las tareas de mantenimiento o reparación cubiertas por la garantía en los componentes relacionados con el sistema de control de emisiones se puede usar cualquier pieza de repuesto aprobada por el fabricante o equivalente. La pieza de repuesto se facilitará al propietario sin costo alguno. STIHL Incorporated es responsable de los daños que se produzcan en otros componentes del motor con emisiones nulas a consecuencia de la falla de una pieza garantizada que todavía está bajo garantía.

LISTA DE PIEZAS BAJO LA GARANTÍA DE EMISIONES

Motor, batería, cargador de baterías, unidad de control del motor

DÓNDE RECLAMAR EL SERVICIO DE GARANTÍA

Lleve el producto de STIHL a cualquier concesionario autorizado de STIHL.

LIMITACIONES

La reparación o la sustitución de cualquier componente garantizado y normalmente abarcado por la garantía se puede excluir de la garantía si STIHL Incorporated demuestra maltrato, negligencia o mantenimiento incorrecto del producto de STIHL, y que tal maltrato, negligencia o mantenimiento incorrecto ha sido la causa directa de la necesidad de reparación o sustitución del componente. A pesar de lo anterior, cualquier ajuste de un componente que tenga un dispositivo limitador instalado de fábrica y funcione correctamente no perjudicará la cobertura bajo garantía.

29 Marcas comerciales

29.1 Marcas comerciales registradas

STIHL®

STIHL®

La combinación de colores anaranjado-gris (Registros en EE. UU. #2,821,860; #3,010,057, #3,010,058, #3,400,477; y #3,400,476)

AutoCut®

YARD BOSS®

STIHL ROLLOMATIC®

WOOD BOSS®



FARM BOSS®

iCademy®

MAGNUM®

MasterWrench Service®

MotoMix®

OILOMATIC®

ROCK BOSS®

STIHL Cutquik®

STIHL DUROMATIC®

STIHL Quickstop®



STIHL WOOD BOSS®

TIMBERSPORTS®



29.2 Marcas comerciales por ley común

4-MIX™	HT Plus™
BioPlus™	STIHL PowerSweep™
Easy2Start™	STIHL Protech™

EasySpool™	STIHL MiniBoss™
ElastoStart™	STIHL MotoPlus 4™
Ematic™	Master Control Lever™
STIHL Precision Series™	STIHL OUTFITTERS™
FixCut™	STIHL PICCO™
Micro™	TrimCut™
Pro Mark™	STIHL M-Tronic™
Quad Power™	STIHL HomeScaper Series™
Quiet Line™	STIHL PolyCut™
STIHL Arctic™	STIHL RAPID™
STIHL Compact™	STIHL SuperCut™
STIHL Interchangeable Attachment Series™	STIHL Multi-Cut HomeScaper Series™
TapAction™	STIHL Territory™
	

Esta lista de marcas comerciales está sujeta a cambios.

Queda terminantemente prohibido todo uso de estas marcas comerciales sin el consentimiento expreso por escrito de ANDREAS STIHL AG & Co. KG, Waiblingen.

30 Direcciones

30.1 STIHL Incorporated

STIHL Incorporated
536 Viking Drive
P.O. Box 2015
Virginia Beach, VA
23452-2015

⚠ WARNING

This edger and battery contain chemicals known to the State of California to cause cancer, birth defects or other reproductive harm.

⚠ ADVERTENCIA

Este cortabordes y esta batería contienen productos químicos considerados por el Estado de California como causantes de cáncer, defectos de nacimiento u otra toxicidad reproductora.

0458-859-8621-A

englisch / spanisch USA



www.stihl.com



0458-859-8621-A