

Primary Tillage

DOMINATOR®



KRAUSE

www.kuhn.com



Invest in Quality®

DOMINATOR® 4856 MAXIMUM SUBSOIL FRACTURE

MAXIMUM SUBSOIL FRACTURE

If you are looking for maximum subsoil fracture and superior residue incorporation, the Dominator 4856 can deliver. The double-rank shank design provides reliable residue flow while positioning each shank on a narrow 18" spacing for maximum subsoil fracture. Shanks are positioned 36" from any adjoining shank for unobstructed soil and residue flow. The 18" subsoil shank spacing and new Double K® 7" wing ripper points can overcome yield-robbing, deep compaction.

SUBSOIL MAINTENANCE

Compaction reduction and subsoil maintenance are accomplished through the combination of spring reset parabolic subsoil shanks with a 3,000 pound point load and heavy duty spring reset chisel shanks with a 1,200 pound point load equipped with new Double K ripper points and a maximum operating depth of 16".

RATIONALLY SEQUENTIAL PRIMARY TILLAGE

The Dominator 4856 continues the proven process of consistent residue sizing, soil tilth with maximum subsoil fracture, residue incorporation and soil leveling followed by clod sizing and seedbed firming in one pass

DOMINATOR 4856

in brief

Models	Working Width	Number of Shanks	Weight (lbs / kg)
4856-7	10'6" / 3.2 m	7	14,156 / 6 421
4856-9	13'6" / 4.1 m	9	16,879 / 7 656
4856-11	16'6" / 5.0 m	11	22,700 / 10 297
4856-13	19'6" / 5.9 m	13	23,555 / 10 684



Shank Spacing

- 18" shank spacing delivers maximum sub-soil fracture
- Double rank design provides optimal soil and residue flow



Rear Disc Conditioner

- Reverse tandem design moves soil inward then outward to aggressively mix and bury residue, size large clods and level the soil
- Dual hydraulic cylinders control the position of the rear disc conditioner for optimal operating height in relation to the tilled soil surface



Heavy-duty 24/7® Conditioning Reel

- Final clod sizing and soil firming
- Choice of round or flat bar reel mounted on ductile cast bearing arms
- Optional hydraulic reel lift can be raised or lowered as conditions dictate



Coulters

- 25" diameter coulters on 9" spacing
- Live hydraulic down pressure system allows the operator to set down pressure to match field conditions



Shanks

- Available in combination spring reset subsoil and heavy-duty spring reset chisel shanks, all spring reset subsoil shanks or all heavy-duty spring reset chisel shanks



Double K® Points

- Double the wear life of fabricated steel and carbide capped ripper points
- Heavy-duty, 26.5 lb., 7" cast chromium carbide wing ripper point
- Heavy-duty, 22 lb., 2.5" cast chromium carbide straight ripper point



Maintenance-Free Bearings

- Coulters gang, wheel pivot, rear disc conditioner blade and 24/7® reel conditioner.
- Coulters bearings feature an exclusive two-piece, nylon ring. This secures the outer race of each coulters gang bearing and centers the bearing within the housing, preventing potential preload and failure of the bearing.

DOMINATOR® 4860 MAXIMUM PRODUCTIVITY

MAXIMUM ACRES PER HOUR

Complementing our current Dominator 4856, the KUHN Krause Dominator 4860 meets a specific product request voiced by growers searching for optimal tilled width productivity plus soil compaction maintenance.

OPTIMAL PRODUCTIVITY

Wider cut widths and increased productivity were achieved by incorporating a 24" shank spacing and including additional "up-time" features, like constant-flow hydraulic coulters gangs, no-daily grease maintenance bearings, longer life Double K® ripper points, a non-speed sensitive hydraulic rear disc conditioner and new hydraulic reel control.

SUBSOIL MAINTENANCE

Compaction reduction and subsoil maintenance are accomplished through 3,000 pound point load auto-reset subsoil shanks equipped with NEW Double K ripper points and a maximum operating depth of 16".

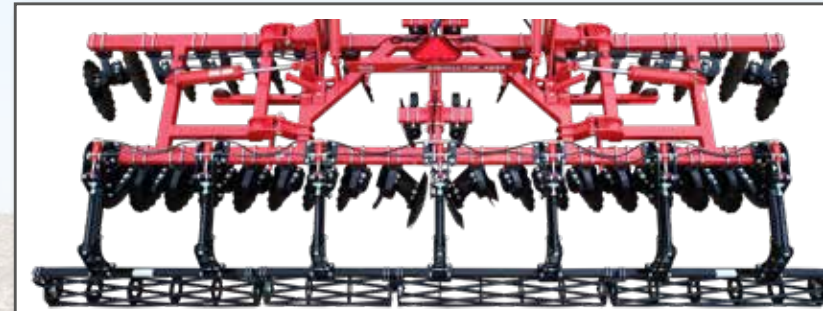
DOMINATOR 4860 in brief

Models	Working Width	Number of Shanks	Weight (lbs / kg)
4860-7	14' / 4.3 m	7	18,483 / 8 384
4860-9	18' / 5.5 m	9	22,806 / 10 345
4860-9F	18' / 5.5 m	9	24,503 / 11 114
4860-11	22' / 6.7 m	11	31,240 / 14 170
4860-13	26' / 7.9 m	13	34,125 / 15 479



Shank Spacing

- 24" shank spacing provides optimum cut-widths
- Double-rank design for optimal soil and residue flow



Rear Disc Conditioner

- Reverse tandem design moves soil inward then outward to aggressively mix and bury residue, size large clods and level the soil
- Hydraulically controlled with a lower limit adjustment valve
- Uniform 12" spacing is maintained with individually mounted 24" fluted, shallow concavity blades



Heavy-duty 24/7® Conditioning Reel

- Final clod sizing and soil firming
- Choice of round or flat bar reel mounted on ductile cast bearing arms
- Optional hydraulic reel lift can be raised or lowered as conditions dictate



Coulters

- 25" diameter coulters on 8" spacing indexed so a single blade is operating on each side of the subsoil shank
- Adjustable, constant flow hydraulic down pressure system allows the operator to set down pressure to match field conditions



Shanks

- Spring reset subsoil parabolic shanks with 3,000 point load and 21" trip height
- New pivot improves shank alignment and performance



Double K® Points

- Double the wear life of fabricated steel and carbide capped ripper points
- Heavy-duty, 26.5 lb., 7" cast chromium carbide wing ripper point
- Heavy-duty, 22 lb., 2.5" cast chromium carbide straight ripper point



Maintenance-Free Bearings

- Coulters gang, wheel pivot, rear disc conditioner blade and 24/7® reel conditioner.
- Coulters bearings feature an exclusive two-piece, nylon ring. This secures the outer race of each coulters gang bearing and centers the bearing within the housing, preventing potential preload and failure of the bearing.

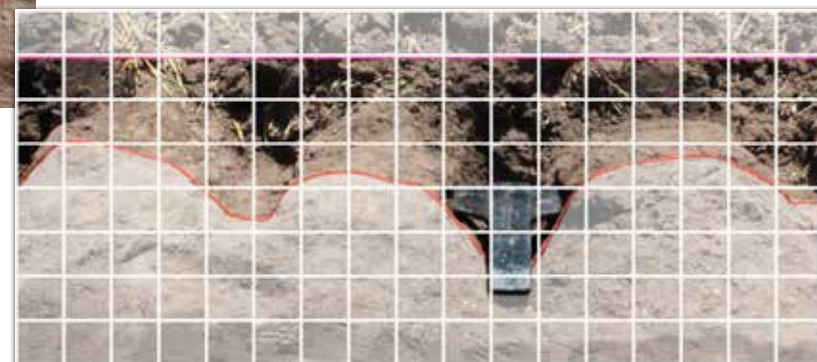
FRACTURE

Compaction directly affects yield potential. Wet harvest, high traffic, and livestock all cause compaction, restricting root development, impairing crop emergence and preventing plants from accessing vital moisture and nutrients. The Dominator addresses the problem of yield-robbing compaction with a choice of shanks, shank spacing and points to meet your agronomic goals.

DOMINATOR® 4856



DOMINATOR 4856 equipped with a combination of spring-reset sub-soil parabolic shanks and heavy-duty chisel shanks; all Double K® 7" wing chisel points. This combination of subsoil shanks at 14" depth and chisel shanks at 9.5" provides field conditions best suited for corn-on-corn, potatoes, sugar beets and specialty crops.

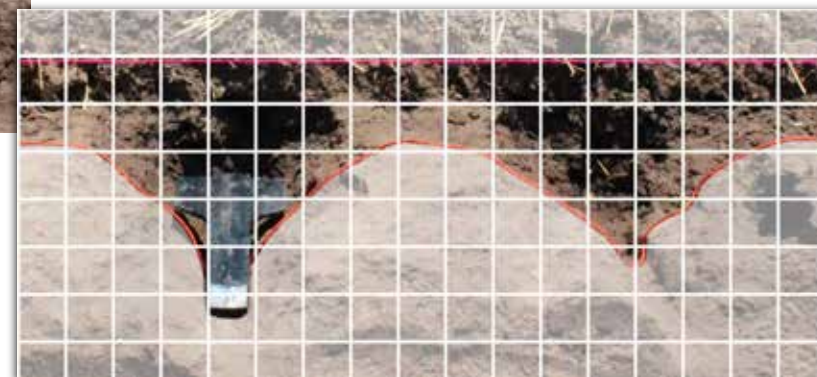


- 9.5" chisel shank depth
- 14" parabolic shank depth
- 18" shank spacing
- 64% fracture

DOMINATOR® 4860



DOMINATOR 4860 equipped with a Double K® 7" wing chisel points on spring-reset sub-soil parabolic shanks. All shanks are deep-till subsoil shanks, combined with the 24" spacing for deep ripping corn and handling heavy residue.



- 12" shank depth
- 24" shank spacing
- 53.7% fracture

Photos and data above were collected in Reno County, Kansas. Soil is Penalosa Silt Loam with average moisture content. Field was dryland and flat.

FIELD FINISH

Reverse-Tandem Disc Conditioner



Dominator® 4856



Dominator® 4860

- Left and right sections of the rear disc conditioner are configured in a reverse tandem design that first moves soil inward, then outward in opposite directions, to aggressively mix and bury residue, size large clods and level the soil.
- Dominator 4856 models feature 18" spacing on the front beam and 12" spacing on the rear beam.
- Dominator 4860 models feature uniform 12" spacing on front and rear beams, hydraulically controlled with a lower limit adjustment valve.
- 24" x 6 gauge, fluted, shallow concavity blades
- Disc conditioner blade configuration offers a level field finish while functioning within a wide range of operating speeds.
- Individual rear disc conditioner blade assemblies use a proven sealed bearing with a 5-bolt hub for blade attachment.



Dominator® 4856



Dominator® 4860

- Approximately 240 bu. / acre corn
- Residue remaining: 39% - 55%*
- Length of residue remaining: 10.8" - 12.9"
- Combination subsoil and heavy-duty chisel shanks, 24/7® heavy-duty round rod finishing reel

- Approximately 240 bu. / acre corn
- Residue remaining: 43% - 57%*
- Length of residue remaining: 8.5" - 9.6"
- Subsoil shanks, 24/7® heavy-duty round rod finishing reel

*May vary with speed of operation, depth of shanks, coulters and depth setting of rear disc conditioner

Heavy-Duty 24/7® Soil Conditioning Reel



- Choice of heavy-duty round bar or heavy-duty flat bar reel
- PEER® TILLXTREME™ maintenance free bearing assemblies mounted on heavy-duty ductile cast bearing arms
- 24/7® conditioning reel performs final clod sizing and soil firming
- Hydraulic control for reel lift is available
- Heavy-duty mounting arms handle the added weight of the rugged reel assemblies

OPTIMIZING PRODUCTIVITY OR MAXIMIZING FRACTURE

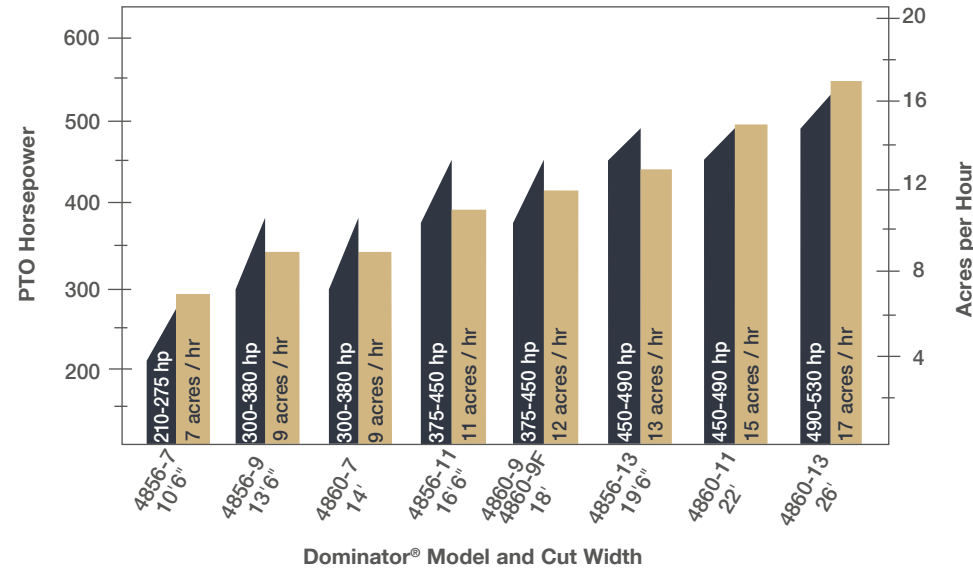
SELECT YOUR TRACTOR HP

1. Select your available PTO Horsepower from the chart below.
2. *Match PTO Horsepower with Dominator model and cut width.
3. Chose the right model for your agronomic requirements.
- * Horsepower may vary due to speed and/or depth of operation.

CHOOSING THE MOST EFFECTIVE CUT WIDTH

1. The chart below uses a field speed of 5.5 mph and 12" depth of operation for calculation.
2. Field efficiency (turning on ends, etc.) was not considered.
3. Formulas used for Calculating Acres per Hour;
Acres per hour = Width x Speed x 5,280 (ft/mi) ÷ 43,560 (sq/ft per acre)
4. Acres per hour = Width x Speed ÷ 8.251 (constant).

PRODUCTIVITY BY MODEL



COMMON APPLICATIONS AND PERFORMANCE BY MACHINE

DOMINATOR® 4856

- Great for corn-on-corn production where higher residue levels require aggressive mixing and incorporation into the soil profile.
- Address and remove compaction from high field traffic - grain carts / trailers / combines.
- Great for specialty crops requiring conditioning and leveling of seedbeds – potato, sugar beets, and other deep-rooted vegetable crops.
- Optimal subsoil fracture creates additional movement and availability of fertilizers and other plant nutrients.
- Retain precipitation and increase yields during a dry year by recharging subsoil moisture levels.



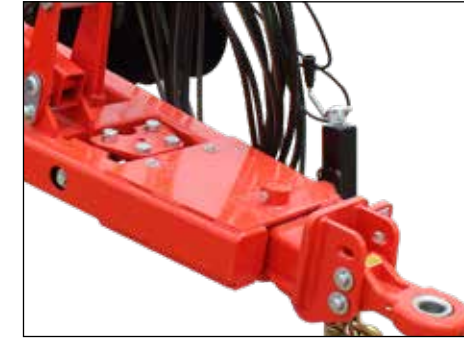
DOMINATOR® 4860

- Very effective at limiting compaction and maintaining good subsoil structure in a cash crop rotation or rotational subsoiling regiment.
- Maintains a consistent percentage of subsoil fracture within the field.
- Cover fields faster with 24" shank spacing for wider cut-widths and increased productivity.
- Incorporate heavy residues across the full operating width for accelerated breakdown and nutrient release.
- Provides a uniform and level seedbed to warm soil faster and more evenly for earlier spring planting.



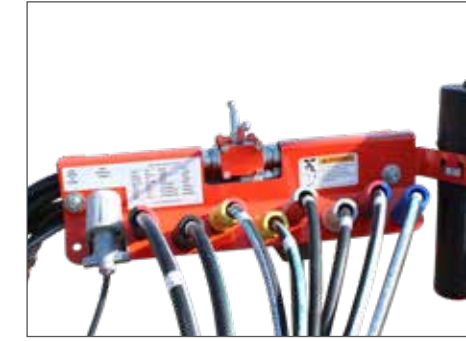
ADDITIONAL FEATURES

DOMINATOR® 4856/4860



GUARDIAN HITCH™

This exclusive option guards against stress on the tractor drawbar and implement frame. Lateral drawbar forces are transferred through the hitch pivot where shock load from steering input is dampened by urethane blocks. Choose from the articulating ball Cat III, IV or V double-bolt cast hitch



TRACTOR INTERFACE CENTER

Standard on all DOMINATOR models, the tractor interface center prevents hydraulic hoses from binding in turns and adds operator convenience. Includes hose routing chart, color coded hose grips, storage for light hookup and owner's manual.



HYDRAULIC COULTER PRESSURE

A convenient front-mounted valve, visible from the tractor cab, allows the down pressure on the coulters to be adjusted up to 1,100 pounds. This system automatically positions coulters at the optimum depth for positive residue cutting in varying field conditions.

DOMINATOR® 4856



SINGLE-POINT DEPTH CONTROL, SHANK DEPTH INDICATOR

Blade depth is controlled conveniently with the crank-adjustable depth stop located at the front of the machine. View shank depth on the easy-to-read scale.



REAR DISC CONDITIONER DEPTH INDICATOR

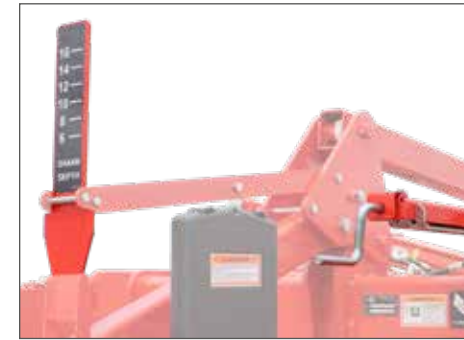
Rear disc conditioner depth is hydraulically controlled from the cab. View rear disc conditioner depth on the easy to read scale located at the front of the machine.



ADJUSTABLE GAUGE WHEEL

On 11- and 13-shank Dominator 4856 models, the adjustable gauge wheel maintains uniform shank operating depth in uneven fields .

DOMINATOR® 4860



SHANK DEPTH INDICATOR

Positive depth indicators allow easy visibility from the tractor cab to determine shank and disc conditioner depth for accurate on-the-go adjustment and optimum performance.



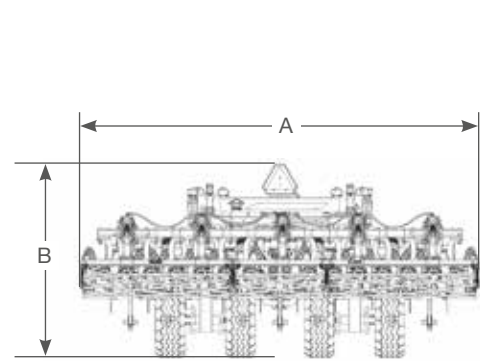
REAR DISC CONDITIONER CONTROL

Rear disc conditioner is hydraulically controlled with a lower limit adjustment valve.

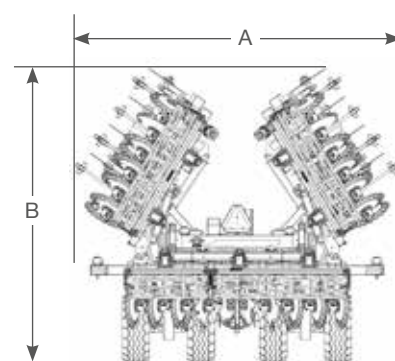


FLEX-WINGS

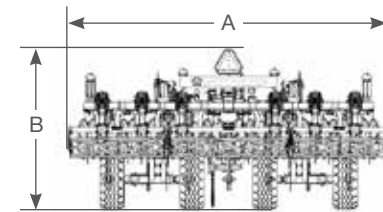
"Live" wing rockers on 11- and 13-shank models offer increased depth control in uneven ground and more flotation in wet or loose soils.



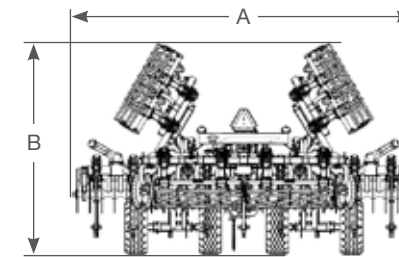
4856-7, 4856-9



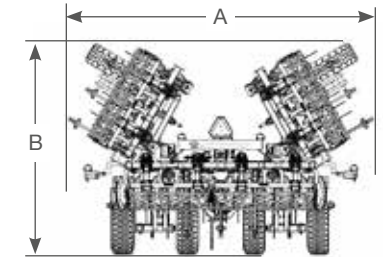
4856-11, 4856-13



4860-7



4860-9



4860-9F, 4860-11 and 4860-13

Model Specifications

	4856-7	4856-9	4856-11	4856-13
SPECIFICATIONS				
A - Transport Width ¹	13'10" / 4.2 m	15'10" / 4.8 m	14'1" / 4.3 m	14'2" / 4.3 m
B - Transport Height ¹	7'6" / 2.3 m	7'5" / 2.3 m	11'7" / 3.5m	12'8" / 3.9 m
Frame Type	Rigid		Folding	
Total Number of Shanks	7	9	11	13
Shank Spacing	18" / 46 cm			
Coulter Blade Spacing	9" / 23 cm			
RTK Working Width	10'6" / 3.2 m	13'6" / 4.1 m	16'6" / 5.0 m	19'6" / 5.9 m
Weight ¹	14,156 lbs / 6 421 kg	16,879 lbs / 7 656 kg	22,700 lbs / 10 297 kg	23,555 lbs / 10 684 kg
STANDARD EQUIPMENT				
Hitch Type	CAT IV Articulating Ball Hitch for 2" Pin			
Tongue Type	Mechanical Adjustable, Self-Leveling Tongue		Guardian Hitch™ (Cushion Tongue)	
Depth Control	Single-Point Hydraulic Depth Control			
Hydraulics	Color Coded Hydraulic Hose Grips, All Hydraulic Hoses			
Coulter Blades	25" x 1/4" Smooth			
Coulter Gangs	9-inch (23 cm) Spacing; Adjustable, Constant Flow Hydraulic, Heavy-Duty 6" Bell Diameter Ductile Iron Spools; 1-3/4" Diameter Round Alloy Tie Rod with Maintenance-Free PEER® TILLXTREME™ Bearings; C-Type, Rock-Flex Bearing Arms 1-1/4" x 2-1/2"			
Shanks	Combination of Spring Reset Parabolic Sub-Soil Shanks, 3000 lb Point Load, 1-1/4" x 4" Shank with Wear Bar, 22" Trip Height 39" Underframe Clearance, 16" Working Depth and Heavy-Duty Chisel Shanks, 1200 lb. point load, 1-1/4" x 3" Shank with Wear Bar, 21" Trip Height, 37" Underframe Clearance, 12" Working Depth			
Points	Double K® Cast Chromium Carbide, 7-inch Wing, Ripper Point			
Main Frame Wheels	Four 12.5L x 16, 14-ply, Walking Beams, Slip-In Spindles, Maintenance-Free Spherical Bearings, 8-Bolt Heavy-Duty Hubs		Four 360/65 R17.5, Walking Beams, Slip-In Spindles, 8-Bolt Heavy-Duty Hubs	
Wing Frame Wheels	N/A		One 9.5L x 15" 8-Ply per Wing, 6-Bolt Heavy-Duty Hubs	
Hydraulic Adjust Rear Disc Conditioner	Front Beam: 24" x 6 Gauge, Fluted Disc Blades, 18" Blade Spacing Rear Beam: 24" x 6 Gauge, Fluted Disc Blades and Smooth Taper Blades, 12" Blade Spacing Rear Beam: Center-Mounted 4-Lobe Feathering Blades			
Rear Conditioning Reel	24/7° Soil Conditioning Reel with Float Position, Heavy-Duty Round or Flat Bar Spiral Reels, PEER® TILLXTREME™ Maintenance-Free Bearings with or without Hydraulic Lift Control			
Hydraulic Controlled Conditioning Reel	(1) 2" x 3.25" Cylinder and Hoses per Carrier Arm			
Transport Locks and Safety	Hydraulic Valve, Transport and Wing Fold, Slow Moving Sign, High-Visibility LED Lighting			
OPTIONAL EQUIPMENT				
Hitch	CAT III Articulating Ball Hitch for 1-1/2" Pin		CAT V Articulating Ball Hitch Hitch for 2-3/4" Pin	
Tongue Type	Guardian Hitch™ (Cushion Tongue)		Mechanical Adjustable, Self-Leveling Tongue	
Points	Double K® 2-1/2" Cast Chromium Carbide Straight Point			
OPERATING INFORMATION				
Recommended Speed of Operation	4 - 7 mph / 6 - 12 km/h			
Recommended Working Depth	8" - 16" / 20.3 cm - 40.6 cm			
Recommended Tractor Power Range PTO hp / kW ²	210 - 275 / 157 - 205	300 - 380 / 224 - 283	375 - 450 / 280 - 336	450 - 490 / 336 - 365

¹ Approximate transport width, height and weight shown with optional finishing attachments.
² Estimates only. Horsepower requirements will vary by geography and soil type.
 N/A - Not Applicable

Model Specifications

	4860-7	4860-9	4860-9F	4860-11	4860-13
SPECIFICATIONS					
A - Transport Width ¹	16'1" / 4.9 m	18'7" / 5.7 m	15'4" / 4.7 m	17'9" / 5.4 m	
B - Transport Height ¹	N/A	11'4" / 3.5 m	11'6" / 3.5 m	12'2" / 3.7m	13'6" / 4.1 m
Frame Type	Rigid		Folding	Folding 3-Section	
Total Number of Shanks	7	9	9	11	13
Shank Spacing	24" / 61 cm				
RTK Working Width	14' / 4.3 m	18' / 5.5 m	18' / 5.5 m	22' / 6.7 m	26' / 7.9 m
Weight ¹	18,483 lbs / 8 384 kg	22,806 lbs / 10 345 kg	24,503 / 11 114	31,240 lbs / 14 170 kg	34,125 lbs / 15 479 kg
STANDARD EQUIPMENT					
Hitch	CAT IV Articulating Ball Hitch with 2" Pin Hole				
Tongue	Rigid, Mechanical Adjustable, Self-Leveling Tongue			Guardian Hitch™ (Cushion Tongue)	
Depth Control	Single-point Hydraulic Depth Control				
Hydraulics	Color Coded Hydraulic Hose Grips, All Hydraulic Hoses				
Coulter Blades	25" x 1/4" Smooth				
Transport Locks and Safety	Hydraulic Valves, Transport and Wing Fold, High-Visibility LED Lighting, SMV Sign				
Coulter Gangs	8-inch (20 cm) Spacing, Adjustable, Constant Flow Hydraulic, Heavy-Duty 6" Bell Diameter Ductile Iron Spools, 1-3/4" Diameter Round Alloy Tie Rod with Maintenance-Free PEER® TILLXTREME™ Bearings, C-Type Rock-Flex Bearing Arms 1-1/4" x 2-1/2"				
Shanks	3,000 lb Point Load Spring Reset Subsoil Parabolic Shanks, 1-1/4" x 4" Shank Size with Wear Bar, 21" Trip Height, 39" Underframe Clearance, 16" Working Depth				
Points	Double K® Cast Chromium Carbide, 7-inch Wing, Ripper Point				
Main Frame Wheels	Four 360/65 R17.5 Metric Tires, Walking Beams, Slip-In Spindles, Maintenance-Free Spherical Bearings, 8-Bolt Heavy-Duty Hubs			Four 440/55 R18 Metric Tires, Walking Beams, Slip-In Spindles, Maintenance-Free Spherical Bearings, 8-Bolt Heavy-Duty Hubs	
Wing Frame Wheels	N/A			One 360/65 17.5 per Wing, 8-Bolt Hub	
Hydraulic Adjust Rear Disc Conditioner	24" x 6 Gauge, Fluted Shallow Concavity Disc Blades, 12" Blade Spacing, Remote Single-Point Hydraulic Lower Limit Stop, Reversed Tandem Design				
Rear Conditioning Reel	24/7° Soil Conditioning Reel with Float Position, Heavy-Duty Round or Flat Bar Spiral Reels, PEER® TILLXTREME™ Maintenance-Free Bearings, with or without Hydraulic Lift Control				
Hydraulic Controlled Conditioning Reel	(1) 2" x 3.25" Cylinder and Hoses per Carrier Arm				
OPTIONAL EQUIPMENT					
Hitch	CAT III Articulating Ball Hitch for 1-1/2" Pin			CAT V Articulating Ball Hitch Hitch for 2-3/4" Pin	
Tongue Type	Guardian Hitch™ (Cushion Tongue)			Mechanical Adjustable, Self-Leveling Tongue	
Points	Double K® 2-1/2" Cast Chromium Carbide Straight Point				
OPERATING INFORMATION					
Recommended Speed of Operation	4 - 7 mph / 6 - 11 km/h				
Recommended Working Depth	8" - 16" / 20 - 40 cm				
Recommended Tractor Power Range PTO hp / kW ²	300 - 380 / 224 - 283	375 - 450 / 280-336		450 - 490 / 336 - 365	490 - 530 / 365 - 395

¹ Approximate transport width, height and weight shown with optional finishing attachments.
² Estimates only. Horsepower requirements will vary by geography and soil type.
 N/A - Not Applicable

PRODUCT SYSTEMS

PRODUCT SYSTEMS		Fall	Spring
DOMINATOR Heavy residue conditions	5635 Field Cultivator Moderate residue, Conventional seedbed prep		
DOMINATOR Heavy residue conditions	LANDSMAN® Heavy residue, Conventional seedbed prep		
DOMINATOR Heavy residue conditions	Disc Harrow Heavy residue, Conventional seedbed prep		
DOMINATOR Heavy residue conditions	EXCELERATOR® High-speed, Vertical-till seedbed prep		

Most Complete Primary Tillage Line on the Market



1. 4000 Chisel Plow / 2. Landsaver® 4810 / 3. 4830/4835 In-Line Ripper / 4. 8315 Disc Harrow

For more information about your nearest **KUHN Krause** dealer and other **KUHN Krause** products, visit our website www.kuhn.com



Visit our YouTube channel to watch our latest product videos.

KUHN NORTH AMERICA, INC.
Corporate Headquarters
1501 West Seventh Avenue - Brodhead, WI 53520

Information given in this document is only for informational purposes and is non-contractual. Our machines are in compliance with North American safety standards. In our literature, and for improved illustration of certain details, some safety devices may not be in operating position. When operating these machines, these devices must be operated in accordance with the requirements indicated in the operator's manuals and assembly manuals. We reserve the right to change any designs, specifications or materials listed without further notice. Machines and equipment in this document can be covered by at least one patent and/or registered design. Trademarks cited in this document may be registered in one or several countries.



Your KUHN Krause dealer

www.kuhn.com

Find us on   