

*Parts Manual*

# NJ380

*Power Broom*



Revised 01/14/21  
09.20038 Rev. 02



500 Venture Drive  
Orrville Oh 44667  
www.ventrac.com

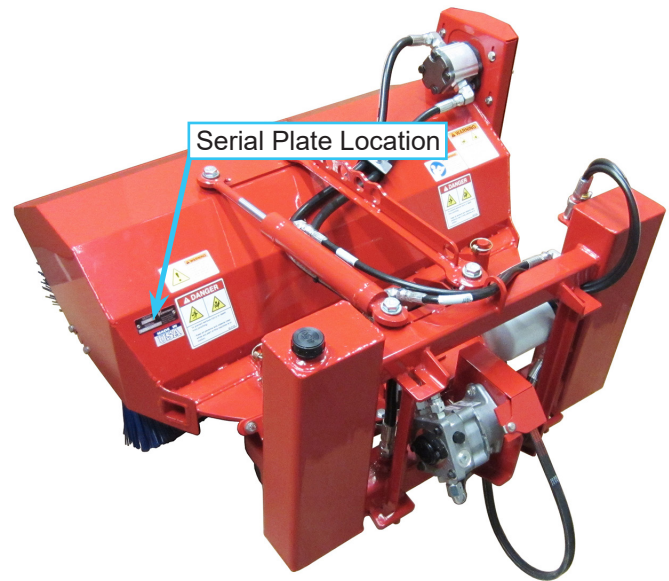
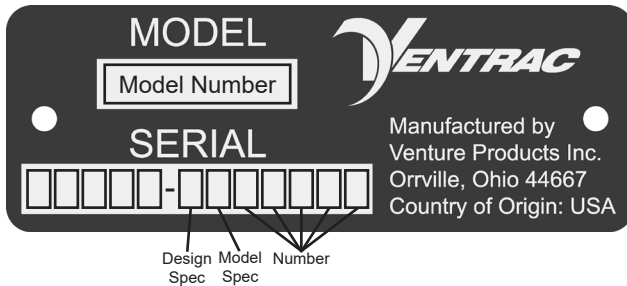
View all manuals



Visit [ventrac.com/manuals](http://ventrac.com/manuals) for the latest version of this parts manual.

A downloadable operator's manual is also available.

### Serial Number Description



### Notes

- If any component requires replacement, use only original Ventrac replacement parts.
- When ordering new components, be sure to order all required safety decals. All current safety decals must be affixed to the replacement components prior to installation of the component.

# TABLE OF CONTENTS

---

<b>PARTS</b>	<b>PAGE 4</b>
Brush Shroud Frame & Wheels .....	4
Broom Angle & Pivot .....	6
Hitch Frame & Pump Mount.....	8
Rotor & Brush Wafers .....	10
Motor Mount & Rotor Drive .....	12
Hydraulic Drive Circuit.....	14
70.8192 Optional 12V Actuator .....	16



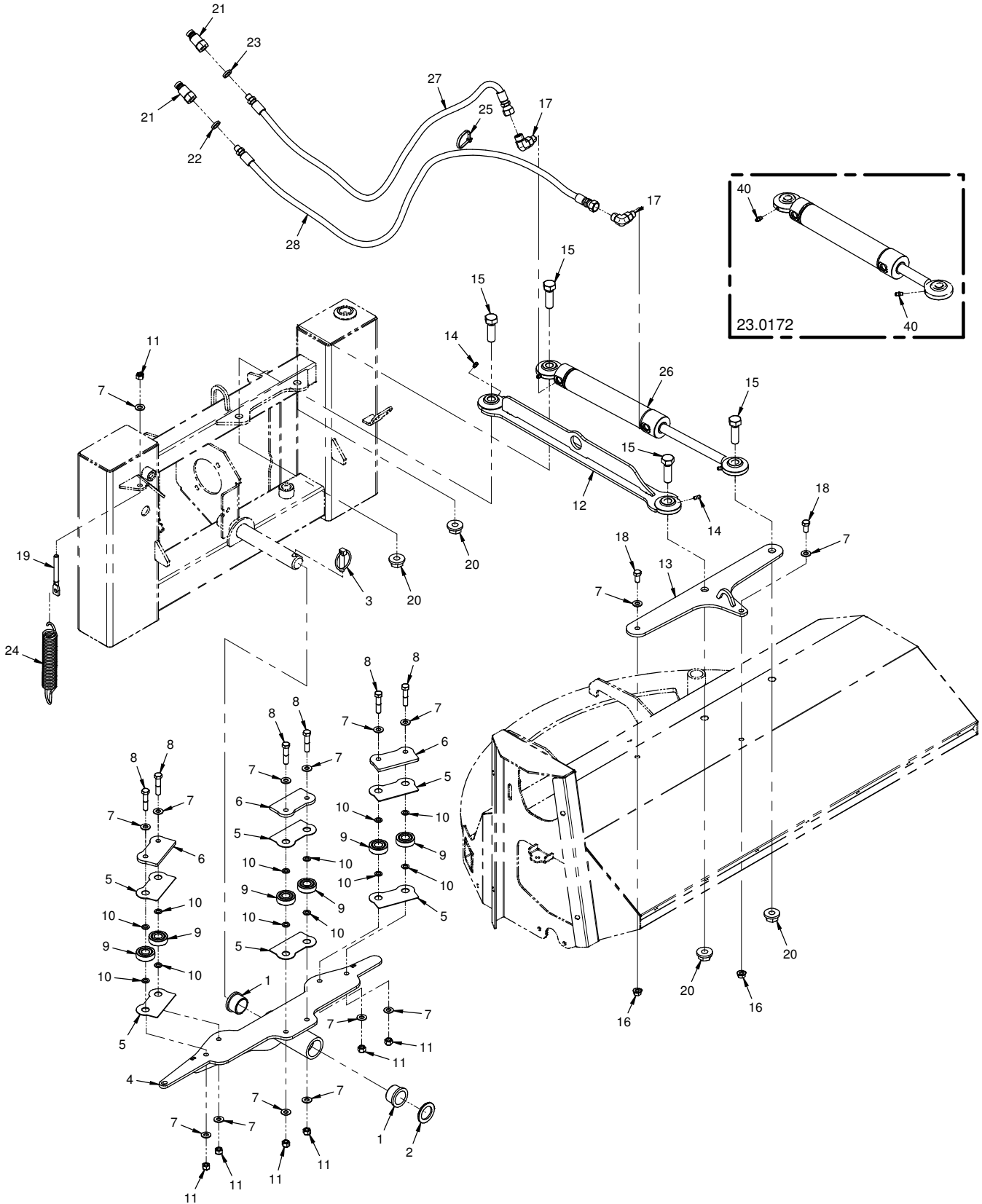
# PARTS

## Brush Shroud Frame & Wheels

REF.	PART NO.	DESCRIPTION	QTY.
1	03.0005	.Pin, Linch	2
2	95.06-3	.Washer, Flat 3/8 SAE SS	4
3	NJ-6001	.Frame, Brush Shroud	1
4	NJ-6004	.Spindle, Swivel Wheel	2
5	50.0198	.Tube, Axle-Wheel NJ	2
6	95.16	.Washer, Flat 1 SAE	56
7	95.12	.Washer, Flat 3/4 SAE	8
8	90.0638-3	.Bolt, 3/8-16 USS x 4-3/4 SS	2
9	99.A06N-3	.Locknut, Nylon 3/8-16 SS	2
10	29.GF0001	.Grease Ftg, 1/4 SAE ST	2
11	NJ-1001	.Deflector, Front	1
12	99.SF04-3	.Nut, SRF 1/4-20 USS Stainless	7
13	95.04-3	.Washer, Flat 1/4 SAE SS	7
14	90.0404-3	.Bolt, 1/4-20 USS x 1/2 SS	7
15	N/A	.Plate, Ventrac Serial Number	1
16	00.0100	.Decal, Made In USA	1
17	00.0102	.Decal, Danger - Pinching Hazards	2
18	00.0103	.Decal, Hazard - High Press. Fluid	1
19	00.0217	.Decal, Warning Read Owners Man	1
20	00.0220	.Decal, General Safety	1
21	00.0383	.Decal, Ventrac	1
22	04.0029	.Rivet, Pop 1/8" X 1/4"	2
23	53.0180	.Wheel, Caster 6-1/4" x 3.	2
40	29.GF0003	.Grease Ftg, 1/4 SAE 45	1
41	55.0108	.Bearing, Roller 2.25"	1
42	55.0109	.Bearing, Retainer 3/4"	2

# PARTS

## ILLUSTRATED DRAWING Broom Angle & Pivot



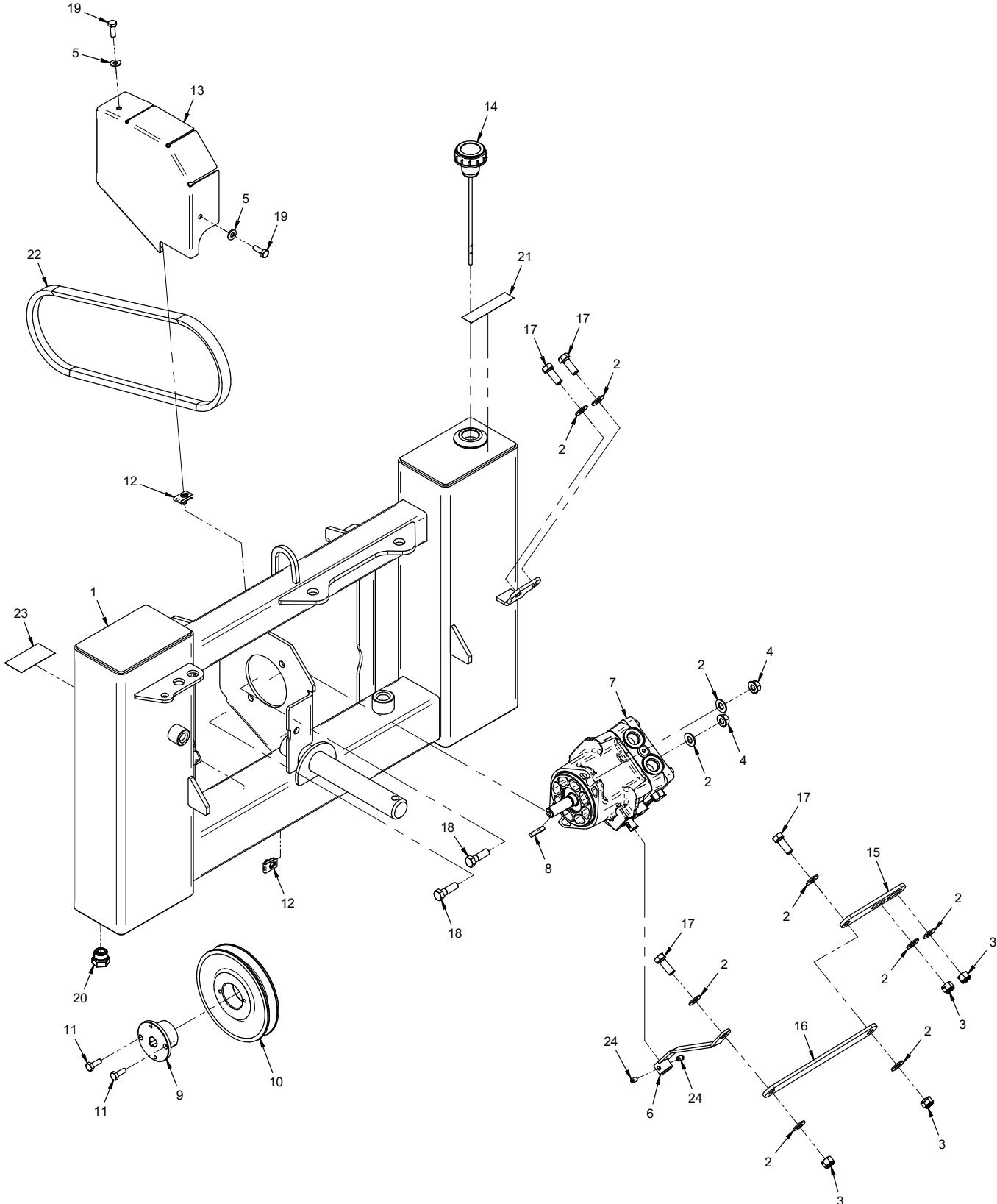
# PARTS

## Broom Angle & Pivot

REF.	PART NO.	DESCRIPTION	QTY.
1	85.B0060	.Bushing, 1-1/4 ID x 1-1/2 OD 1	2
2	99.B0024-2	.Washer, Mach 1-1/4 x 1-7/8 10 GA	1
3	03.0005	.Pin, Linch	1
4	NJ-6009	.Frame, Broom Pivot	1
5	NJ-1009	.Slide, Broom Pivot	6
6	NJ-1003	.Clamp, Broom Pivot Guide	3
7	95.06-3	.Washer, Flat 3/8 SAE SS	15
8	90.0614-3	.Bolt, 3/8-16 USS x 1-3/4 SS	6
9	55.0103	.Bearing, Ball .375" ID x 40mm OD	6
10	99.B0125	.Shim, .375 ID x .625 OD x .090T SS	12
11	99.A06N-3	.Locknut, Nylon 3/8-16 SS	7
12	NJ-6005	.Link, Swivel Upper Pivot	1
13	NJ-6008	.Frame, Pivot Reinforcement	1
14	29.GF0001	.Grease Ftg, 1/4 SAE ST	2
15	90.1016	.Bolt, 5/8-11 USS x 2	4
16	99.SF06-3	.Nut, SRF 3/8-16 USS Stainless	2
17	25.FF6801-06-06-CP	.Fitting, 90 Elbow - 6MFF x 6MB	2
18	90.0606-3	.Bolt, 3/8-16 USS x 3/4SS	2
19	99.K0094	.Bolt, Hanger 3/8-16 X 4	1
20	99.E0094	.Locknut, 5/8-11 Flanged Stover	4
21	23.0176	.Coupler, Male Flat Face Quick 1/4	2
22	05.0116	.Washer, .544 ID x .817 x .14 Red	1
23	05.0117	.Washer, .544 ID x .817 x .14 Yel	1
24	41.0116	.Spring, Ext. 1.04 OD x 8-1/2 L	1
25	30.0037	.Tyton Tie, #50 .18 x 8 Black	1
26	23.0172	.Cylinder, 1-1/2" X 8"	1
27	20.0343	.Hose, 1/4x35.00 SAE 100R17AR	1
28	20.0342	.Hose, 1/4x43.00 SAE 100R17AR	1
40	29.GF0001	.Grease Ftg, 1/4 SAE ST	2

# PARTS

## ILLUSTRATED DRAWING Hitch Frame & Pump Mount





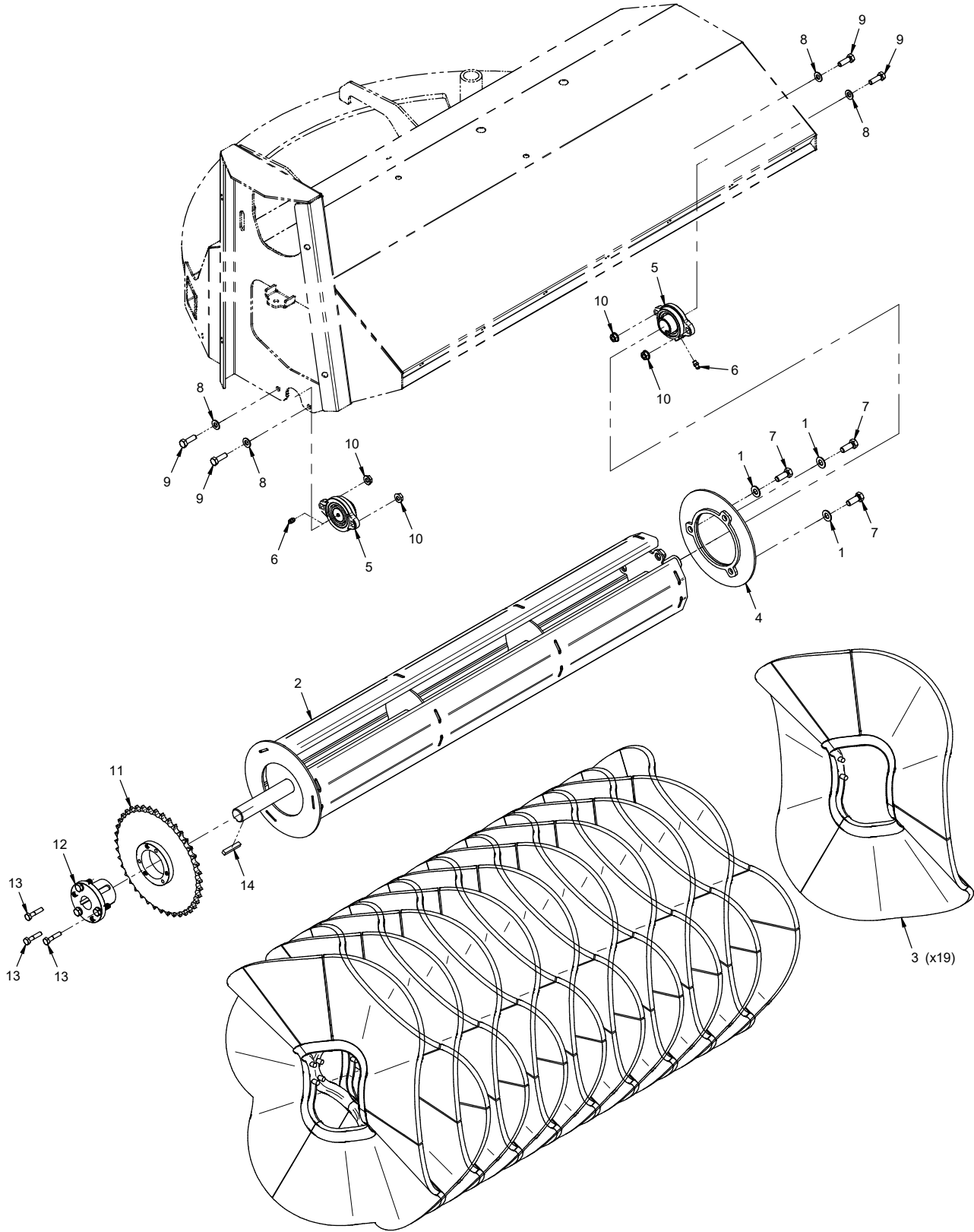
# PARTS

## Hitch Frame & Pump Mount

REF.	PART NO.	DESCRIPTION	QTY.
1	NJ-6002	.Frame, Hitch / Hyd Tank Main	1
2	95.06-3	.Washer, Flat 3/8 SAE SS	10
3	99.A06N-3	.Locknut, Nylon 3/8-16 SS	4
4	99.SF06-3	.Nut, SRF 3/8-16 USS Stainless	2
5	95.04-3	.Washer, Flat 1/4 SAE SS	2
6	NJ-6010	.Lever, Pump Control	1
7	21.0095	.Pump, HYD. Hydrogear	1
7	89.0079	.Kit, Seal Hydrogear Pump	1
8	85.K508	.Key, 5mm Sq x 1"	1
9	83.H15M	.Bushing, 15mm H-Bushing	1
10	83.BK60H	.Pulley, 6" H-Bushing	1
11	90.0406	.Bolt, 1/4-20 USS x 3/4"	2
12	99.E0046	.Nut, "U" 1/4-20 Extruded	2
13	NJ-1013	.Cover, Pump Drive	1
14	23.0127	.Dipstick, Asm 6-3/4"	1
15	NJ-1020	.Mount, Pump Actuator Link	1
16	NJ-1025	.Link, Manual Pump Control	1
17	90.0608-3	.Bolt, 3/8-16 USS x 1 SS	4
18	90.0610-3	.Bolt, 3/8-16 USS x 1-1/4 SS	2
19	90.0406-3	.Bolt, 1/4-20 USS x 3/4 SS	2
20	25.6408-08-CP	.Fitting, Plug 8MB	1
21	00.0148	.Decal, Hyd. Oil 3-7/16 x 3/4	1
22	81.0181	.Belt, 5L 40"	1
23	00.0216	.Decal, Warning Moving Parts	1
24	85.SS11	.Set Screw, 1/4-28 x 3/8"	2

# PARTS

## ILLUSTRATED DRAWING Rotor & Brush Wafers



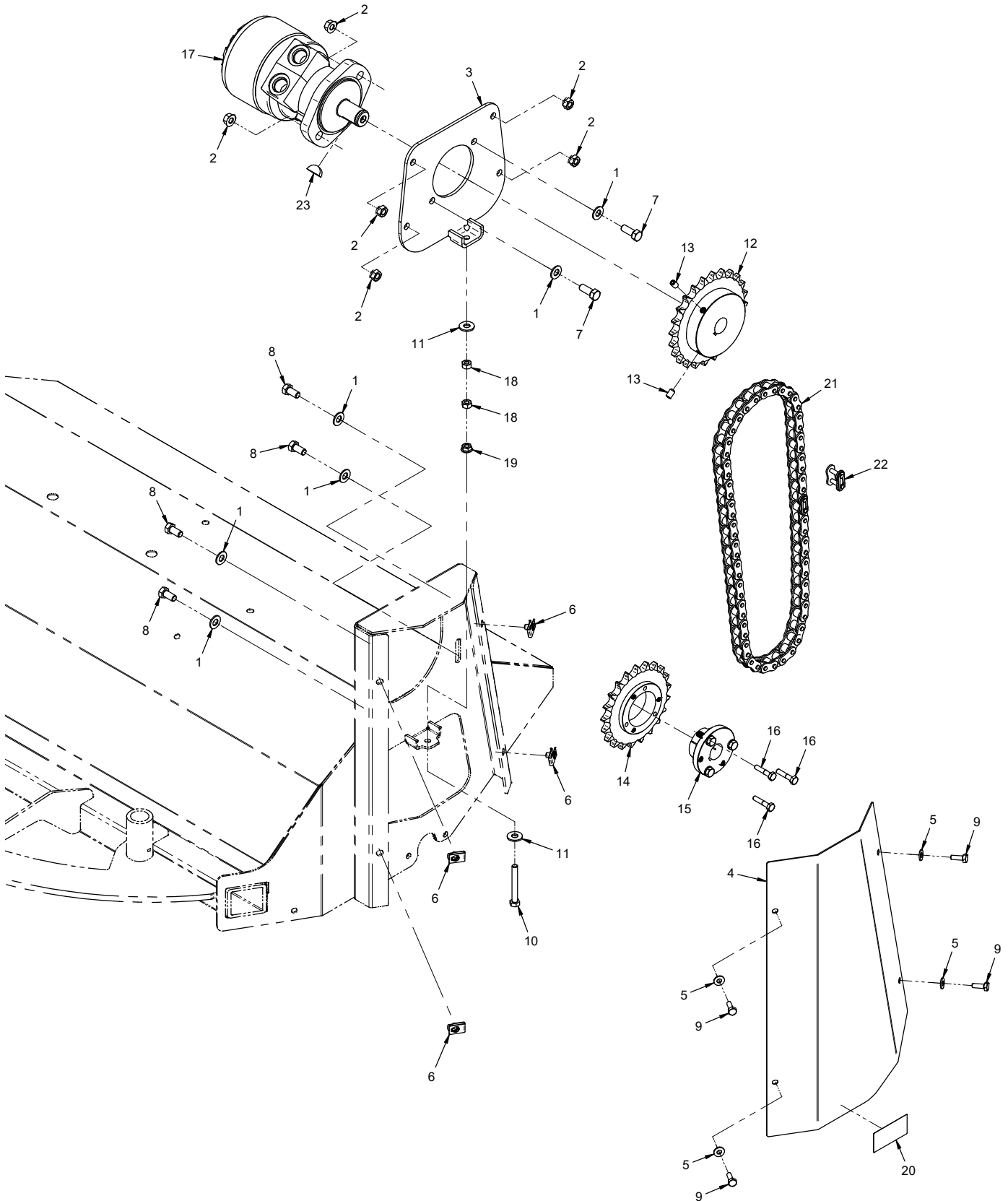
# PARTS

## Rotor & Brush Wafers

REF.	PART NO.	DESCRIPTION	QTY.
1	95.06-3	.Washer, Flat 3/8 SAE SS	3
2	NJ-6006	.Frame, Brush Rotor	1
3	79.0113	.Brush, Wafer 21-3/8" Poly	19
4	NJ-6011	.Clamp, Brush Wafer	1
5	55.FB16016-1	.Bearing, Flange Block 1"	2
6	29.GF0001	.Grease Ftg, 1/4 SAE ST	2
7	90.0608-3	.Bolt, 3/8-16 USS x 1 SS	3
8	95.05-3	.Washer, Flat 5/16 SAE SS	4
9	90.0508-3	.Bolt, 5/16-18 USS X 1 SS	4
10	99.SF05-3	.Nut, SRF 5/16-18 USS Stainless	4
11	83.50SDS40	.Sprocket, #50 40-T SDS Bushing	1
12	83.P116	.Bushing, 1" P1	1
13	90.0410	.Bolt, 1/4-20 USS x 1/1-4"	3
14	85.K0412	.Key, 1/4 X 1-1/2	1

# PARTS

## ILLUSTRATED DRAWING Motor Mount & Rotor Drive



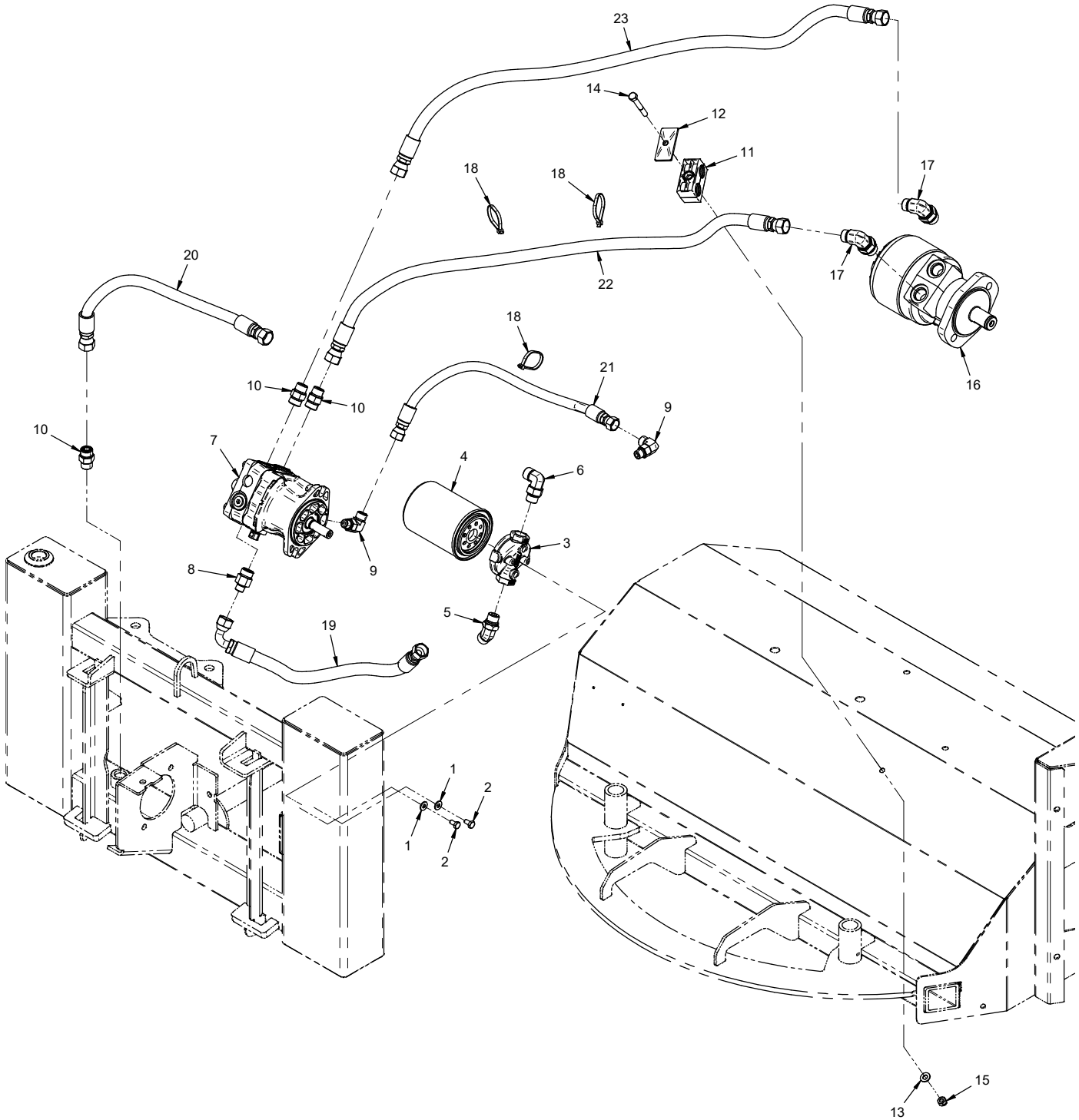
# PARTS

## Motor Mount & Rotor Drive

REF.	PART NO.	DESCRIPTION	QTY.
1	95.06-3	.Washer, Flat 3/8 SAE SS	6
2	99.SF06-3	.Nut, SRF 3/8-16 USS Stainless	6
3	NJ-1017	.Plate, Motor Mount	1
4	NJ-1012	.Cover, Brush Drive	1
5	95.04-3	.Washer, Flat 1/4 SAE SS	4
6	99.E0046	.Nut, "U" 1/4-20 Extruded	4
7	90.0608-3	.Bolt, 3/8-16 USS x 1 SS (Serial # 01001-02124)	2
7	90.0610-3	.Bolt, 3/8-16 USS x 1-1/4 SS (Serial # 02125-)	2
8	90.0606-3	.Bolt, 3/8-16 USS x 3/4SS	4
9	90.0406-3	.Bolt, 1/4-20 USS x 3/4 SS	4
10	90.0520-2	.Bolt, 5/16-18 x 2-1/2 All Thrd	1
11	94.05	.Washer, Flat 5/16 USS	2
12	83.500912	.Sprocket, #50 9-T 3/4" Bore (Serial # 01001-02124)	1
12	83.602416	.Sprocket, #60 24-T 1" Bore (Serial # 02125-)	1
13	85.SS19	.Set Screw, 1/4-20 x 1/4" (Serial # 01001-02124)	2
13	85.SS16	.Set Screw, 5/16-18 x 1/2 (Serial # 02125-)	2
14	83.50SDS40	.Sprocket, #50 40-T SDS Bushing (Serial # 01001-02124)	1
14	83.60SDS21	.Sprocket, #60 21-T SDS Bushing (Serial # 02125-)	1
15	83.SDS16	.Bushing, 1" SDS	1
16	90.0410	.Bolt, 1/4-20 USS x 1/1-4"	3
17	21.0132	.Motor, Hydraulic Gear (Serial # 01001-02124)	1
17	21.0152	.Motor, Hyd. Parker (Serial # 02125-)	1
18	92.05	.Nut, 5/16-18 USS	2
19	99.SF05	.Nut, SRF 5/16-18 USS	1
20	00.0216	.Decal, Warning Moving Parts	1
21	81.0174	.Chain, Roller #50 x 43-1/8" (Serial # 01001-02124)	1
21	81.0188	.Chain, Roller #60 x 45.75" (Serial # 02125-)	1
22	81.0053	.Link, Connector #50 (Serial # 01001-02124)	1
22	81.0024	.Link, Connector #60 (Serial # 02125-)	1
23	85.K0307	.Key, 3/16 X 5/8 (Serial # 01001-02124)	1
23	85.W0408	.Key, Woodruff 1/4 x 1 (Serial # 02125-)	1

# PARTS

## ILLUSTRATED DRAWING Hydraulic Drive Circuit



# PARTS

## Hydraulic Drive Circuit

REF.	PART NO.	DESCRIPTION	QTY.
1	95.04-3	.Washer, Flat 1/4 SAE SS	2
2	90.0404-3	.Bolt, 1/4-20 USS x 1/2 SS	2
3	21.0115	.Filter, Head 08 SAE Port	1
4	21.0001	.Filter, Hydraulic Zinga AE25	1
5	25.FF6802-08-08-CP	.Fitting, 45 Elbow - 8MFF x 8MB	1
6	25.FF6801-08-08-CP	.Fitting, 90 Elbow - 8MFF x 8MB	1
7	21.0095	.Pump, HYD. Hydrogear	1
7	89.0079	.Kit, Seal Hydrogear Pump	1
8	25.FF6400-08-06-CP	.Fitting, Connector 8MFF x 6MB	1
9	25.FF6801-06-06-CP	.Fitting, 90 Elbow - 6MFF x 6MB	2
10	25.FF6400-08-08-CP	.Fitting, Connector 8MFF x 8MB	3
11	44.0248	.Clamp, Hyd Hose 21.3mm ID 2 Cavity (Set of 2) (Serial # 01001-02124)	1
11	44.0400	.Clamp, Hyd Hose 21.3mm ID 2 Cavity (Set of 2) (Serial # 02125-)	1
12	44.0249	.Cover Plate, Group 3D (2 Cavity)	1
13	95.05-3	.Washer, Flat 5/16 SAE SS	1
14	90.0518-3	.Bolt, 5/16-18 USS x 2-1/4" SS	1
15	99.A05N-3	.Locknut, Nylon 5/16-18 SS	1
16	21.0132	.Motor, Hydraulic Gear (Serial # 01001-02124)	1
16	21.0152	.Motor, Hyd. Parker (Serial # 02125-)	1
17	25.FF6801-08-12-CP	.Fitting, 90 Elbow - 8MFF x 12MB (Serial # 01001-02124)	2
17	25.FF6801-08-10-CP	.Fitting, 90 Elbow 08MFF x 10MB (Serial # 02125-)	2
18	30.0037	.Tyton Tie, #50 .18 x 8 Black	3
19	20.0339	.Hose, 1/2x17.50 SAE 100R17AR	1
20	20.0340	.Hose, 1/2x23.50 SAE 100R17AR	1
21	20.0341	.Hose, 3/8x21.00 SAE 100R17AR	1
22	20.0337	.Hose, 1/2x46.00 SAE 100R17AR	1
23	20.0338	.Hose, 1/2x41.00 SAE 100R17AR (Serial # 01001-02124)	1
23	20.0337	.Hose, 1/2x46.00 SAE 100R17AR (Serial # 02125-)	1





# PARTS

## 70.8192 Optional 12V Actuator

REF.	PART NO.	DESCRIPTION	QTY.
1	95.06-3	Washer, Flat 3/8 SAE SS	3
2	99.A06N-3	Locknut, Nylon 3/8-16 SS	2
3	90.0612-3	Bolt, 3/8-16 USS x 1-1/2 SS	1
4	99.0610-3	Bolt, 3/8-16 x 1-1/4 BSCS SS	1
5	30.0037	Tyton Tie, #50 .18 x 8 Black	5
6	37.0067	Actuator, 12V	1
7	32.0194	Harness, Wire NJ/NX Actuator	1