

Parts Manual

4500Y

Europe C€

Serial Number 4500Y-AM01001 --



Revised 07/19/21
09.20016 Rev. 38



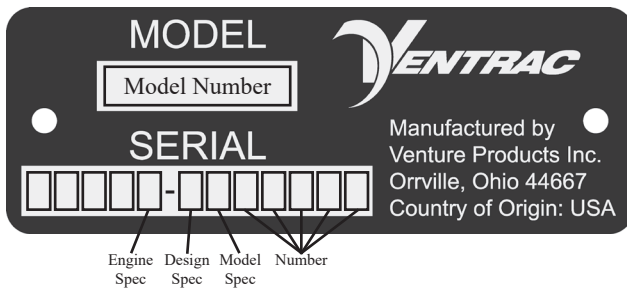
500 Venture Drive
Orrville Oh 44667
www.ventrac.com



Visit ventrac.com/manuals for the latest version of this parts manual.

A downloadable operator's manual is also available.

Serial Number Description



Engine

Y KUBOTA 25 HP D902 DSL LC

Notes

- If any component requires replacement, use only original Ventrac replacement parts.
- When ordering new components, be sure to order all required safety decals. All current safety decals must be affixed to the replacement components prior to installation of the component.

TABLE OF CONTENTS

| | |
|--|----------------|
| ELECTRICAL | PAGE 7 |
| Wiring Diagram Reference Key..... | 7 |
| Wiring Diagram - Rear Harness..... | 8 |
| Wiring Diagram - Front Harness..... | 9 |
| Wiring Diagram - Engine Harness..... | 10 |
| Wiring Diagram - Optional 30.0219 4-Pin Female Socket & 30.0218 4-Pin Male Plug..... | 11 |
| Tractor Control Module..... | 12 |
| Battery, Power Cables, & Ground Cables..... | 14 |
| Front Fuse Panel..... | 16 |
| Rear Fuse Panel..... | 18 |
| Power Relay Module..... | 20 |
| RPM Sensor..... | 22 |
| Speedometer Sensor..... | 24 |
| HYDRAULICS, AXLES, & WHEELS | PAGE 26 |
| Hydraulic Diagram..... | 26 |
| O-Ring Chart..... | 28 |
| Fitting Chart..... | 28 |
| Hydraulic Oil Tank..... | 32 |
| Hydraulic Steering System..... | 34 |
| Front Hitch Hydraulic Lift & Hitch Lock Valve..... | 36 |
| Auxiliary Hydraulic Quick Couplers..... | 38 |
| Front Hydraulic Motor Mount & Fittings..... | 40 |
| Rear Hydraulic Motor Mount & Fittings..... | 42 |
| Hydraulic Pump Mount & Fittings..... | 44 |
| Hydraulic Oil Cooler & Fan..... | 46 |
| Hydraulic Drive Circuit Hoses..... | 48 |
| Pump Supply Line & Main Hydraulic Filter..... | 50 |
| Hydraulic Implement Circuit Supply & Return..... | 52 |
| Front Transaxle & Wheels..... | 54 |
| Rear Transaxle & Wheels..... | 56 |
| Model 2600 Transaxle (51.0020/51.0087)..... | 58 |
| Model 15 Hydraulic Motor (21.0081)..... | 60 |
| Model 15 Hydraulic Pump (21.0080)..... | 62 |
| ENGINES | PAGE 64 |
| 4500Y Kubota Diesel Engine..... | 64 |
| 4500Y Kubota Diesel Engine Mount..... | 66 |
| 4500Y Kubota Diesel PTO Clutch..... | 68 |
| 4500Y Kubota Diesel Drive Shaft & Pump..... | 70 |
| 4500Y Kubota Diesel Muffler..... | 72 |
| 4500Y Kubota Diesel Cooling System..... | 74 |
| 4500Y Kubota Diesel Air Intake..... | 76 |
| 4500Y Kubota Diesel Fuel System..... | 78 |

TABLE OF CONTENTS

| | |
|---|---------------------|
| FRAMES / SHEET METAL | PAGE 80 |
| Lower Rear Frame | 80 |
| Seat Box & Upper Rear Frame | 82 |
| Left Seat Box Panels..... | 84 |
| Right Seat Box Panels | 86 |
| Tool Box Lid & Liner Panels | 88 |
| Roll Bar | 90 |
| Standard Rear Hitch..... | 92 |
| Rear Fenders & Battery Compartment..... | 94 |
| Standard Seat Assembly..... | 96 |
| Front Frame, Frame Connector Bracket, Hose Retainer | 98 |
| Front Fenders & Foot Pegs..... | 100 |
| Center Pivot & Connector Link..... | 102 |
| Front Hitch..... | 104 |
| Hood, Grill, & Headlights..... | 106 |
| Dash, Dash Brackets, Decals, & Switches..... | 108 |
| CONTROLS & LINKAGE | PAGE 110 |
| SDLA Control Levers..... | 110 |
| SDLA Linkage | 112 |
| Neutral Assist Lever & Neutral Switch..... | 114 |
| Parking Brake Handle, Brake Rod, & Shields | 116 |
| Parking Brake Linkage & Brake Drum | 118 |
| High/Low Range Shift Linkage..... | 120 |
| PTO Idler Pulley & Idler Arm | 122 |
| PTO Belt Tension Linkage..... | 124 |
| Weight Transfer..... | 126 |

TABLE OF CONTENTS

| OPTIONS | PAGE 128 |
|---|-----------------|
| 3 Point Hitch Frame (Kit #70.4100)..... | 128 |
| 3 Point Hitch Arms (Kit #70.4100)..... | 130 |
| 3 Point Hitch Hydraulics (Kit #70.4100)..... | 132 |
| 3 Point Hitch Hydraulic Diagram (Kit #70.4100)..... | 134 |
| Rear Hydraulic Valve (Kit # 70.4126)..... | 136 |
| Rear Hydraulic Valve Diagram (Kit # 70.4126)..... | 138 |
| Dual Wheels..... | 140 |
| 70.4111 Suspension Seat Kit..... | 142 |
| 70.4154 Suspension Seat Kit..... | 144 |
| 70.0098 Canopy Kit..... | 146 |
| 70.4113 Work Light Kit..... | 148 |
| 70.4114 Strobe Light Kit..... | 150 |
| 70.4155 Strobe Light Kit..... | 152 |
| 70.4119 Directional / Hazard Light Kit..... | 154 |
| 70.4156 Directional / Hazard ECE Light Kit..... | 156 |
| 70.4098 Wheel Extension Kit..... | 158 |
| 70.4107 Foot Control Kit..... | 160 |
| 70.4108 Raised Platform Kit..... | 162 |
| 70.4101 Backup Alarm Kit..... | 164 |
| 70.4112 Slope Indicator Kit..... | 166 |
| 70.4104 12 Volt Front Plug Kit..... | 168 |
| 70.4105 12 Volt Rear Plug Kit..... | 170 |
| 70.4106 PTO Remote Kit..... | 172 |
| 70.4120 Horn Kit..... | 174 |
| 70.4102 Kubota Engine Heater Kit..... | 176 |
| 70.4135 Slope Indicator Kit..... | 178 |
| 70.4109 Dual Front Hydraulic Auxiliary Kit..... | 180 |
| Dual Front Hydraulic Auxiliary Diagram..... | 182 |
| 70.4140 Slope Indicator Kit..... | 184 |
| 39.56114 3N1 Hitch..... | 186 |
| 39.56116 Rear Counterweight Bar..... | 188 |
| 70.4137 Mid Weight Bar 4500 Kit..... | 190 |
| 70.4144 Rear Weight Bar Kit..... | 192 |
| 70.4133 LED Work Light Kit..... | 194 |
| 70.2016 Trailer Mover Hitch..... | 196 |

Blank Page

ELECTRICAL

Wiring Diagram Reference Key

Harness Section Identifier

A = 32.0108 - Harness, Rear
B = 32.0109 - Harness, Dash
C = 32.0110 - Harness, Front
D = 32.0107 - Harness, B&S Engine
E = 32.0105 - Harness, Kawasaki Engine
F = 32.0104 - Harness, Kubota Gas
G = 32.0106 - Harness, Kubota Diesel
H =
I =
J = 32.0114 - Harness, Kit - 12v Front
K = 32.0113 - Harness, Kit - 12v Rear
L = 32.0120 - Harness, Kit - 12v Dual Hydraulic
M = 32.0119 - Harness, Kit - Propane
N = 32.0121 - Harness, Kit - PTO Remote
O = 32.0115 - Harness, Kit - Horn
P = 32.0122 - Harness, Kit - Backup Alarm
Q = 32.0118 - Harness, Kit - Directional
R = 32.0117 - Harness, Kit - Strobe Light
S = 32.0116 - Harness, Kit - Work Light
T = 32.0123 - Harness, Kit - Slope Indicator

*@ = 32.0160 - Harness, Kubota WG972
" ^ = 32.0159 - Harness, Kawasaki FD851D Fused

----- = *Black Wire
———— = White Wire
||| ——— = Ground
● = Splice or Connection

* All black wires that are part of the wire harness are part of the ground circuit. However, some components such as lights may be wired where black may be positive.

All other wires colors are as shown

Anything outlined with a blue box is a Standard Feature

Anything outlined with a Green box is a Option

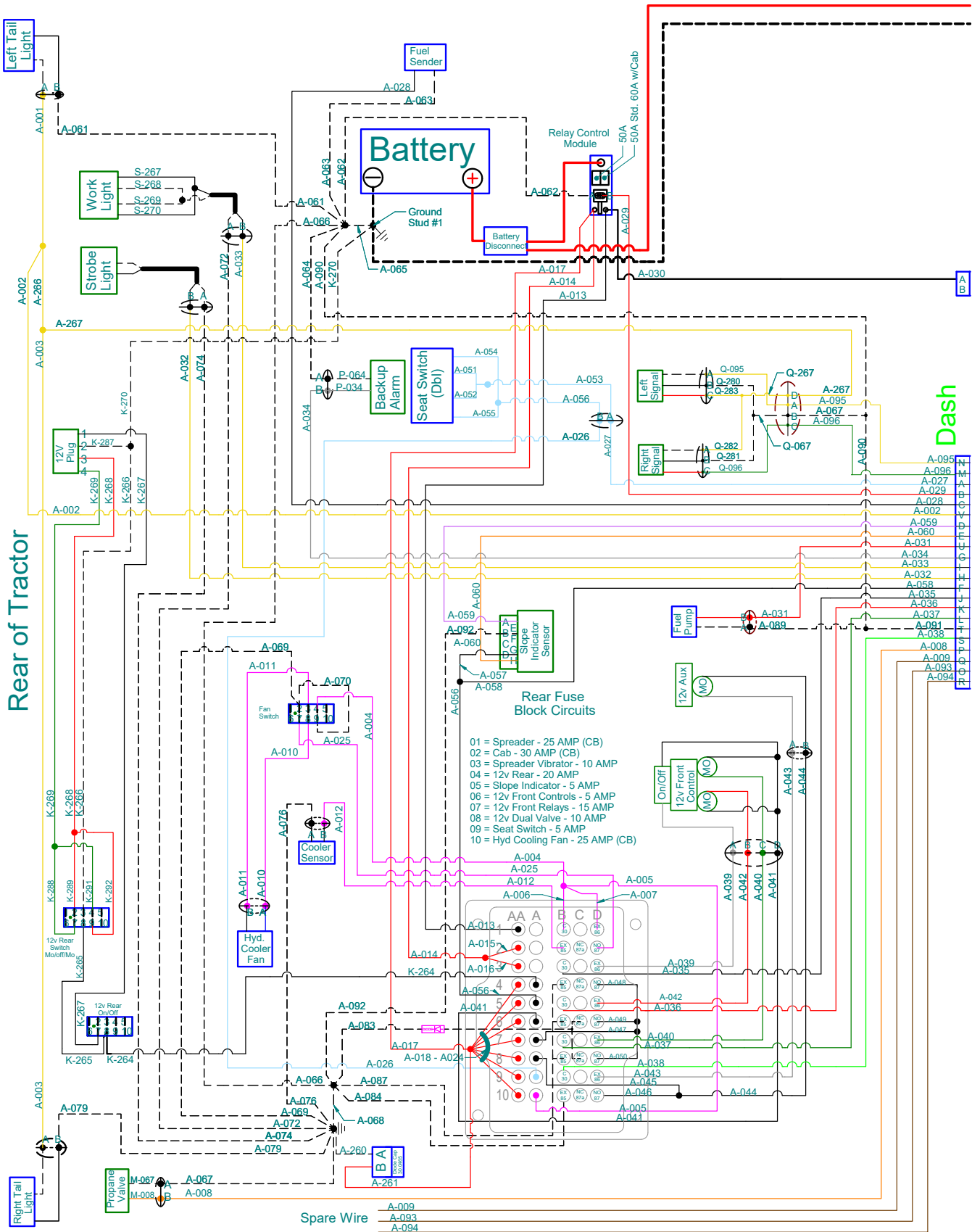
* Actual wires not labeled on tractor harness

Wire Color & Circuit Type

Black = Ground
Dark Blue = Pre-Heat
Lt Blue = Safety Circuit
Brown = Engine Run / Kill
Gray = 12v Aux / Horn power
Green = Start/Speed/Directional
Lt Green = 12 Aux
Orange = Propane / Slope
Pink = Alarm
Purple = PTO
Red = Power
Tan = RPM
White = Power
Yellow = Light/Directional

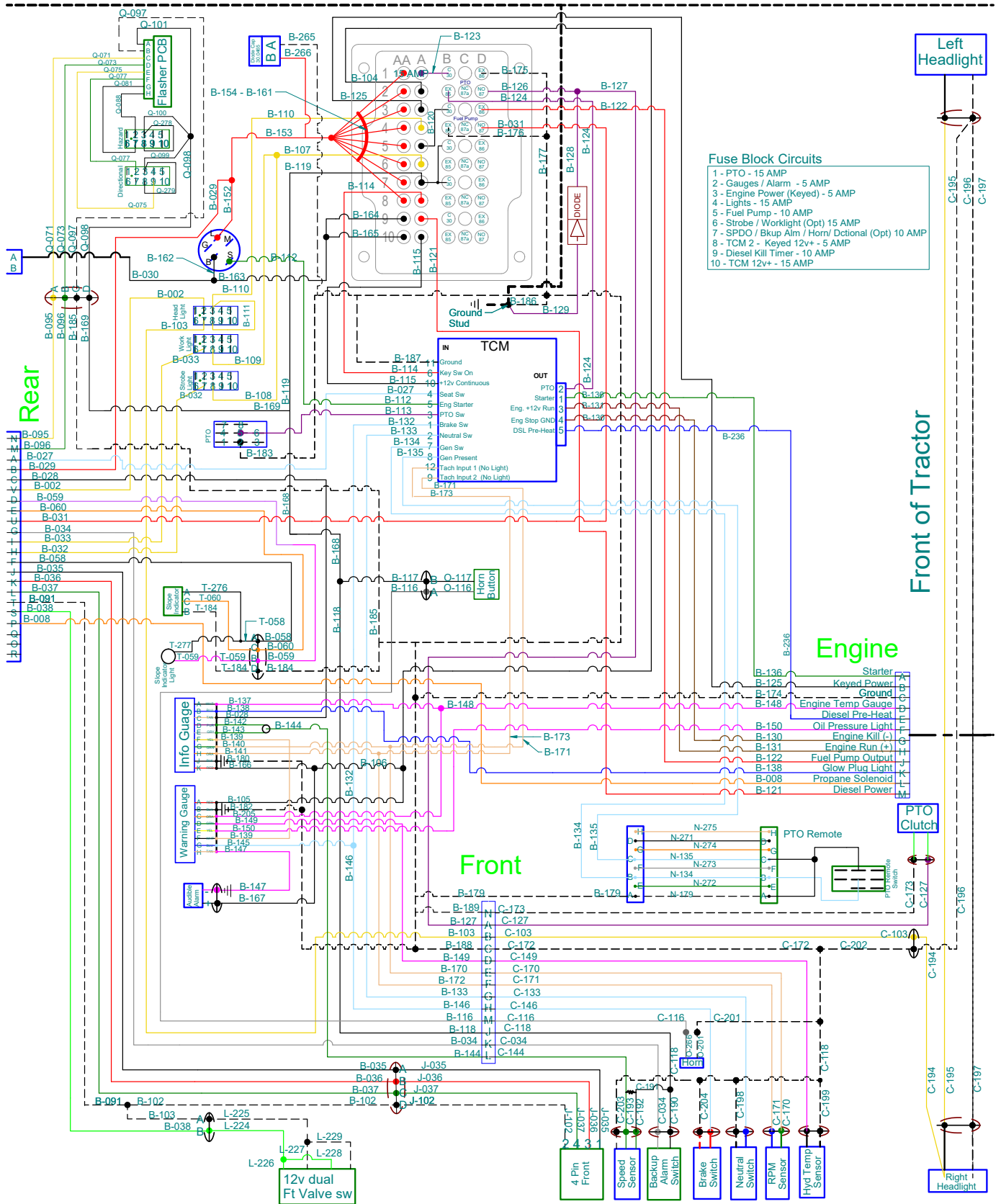
ELECTRICAL

Wiring Diagram - Rear Harness



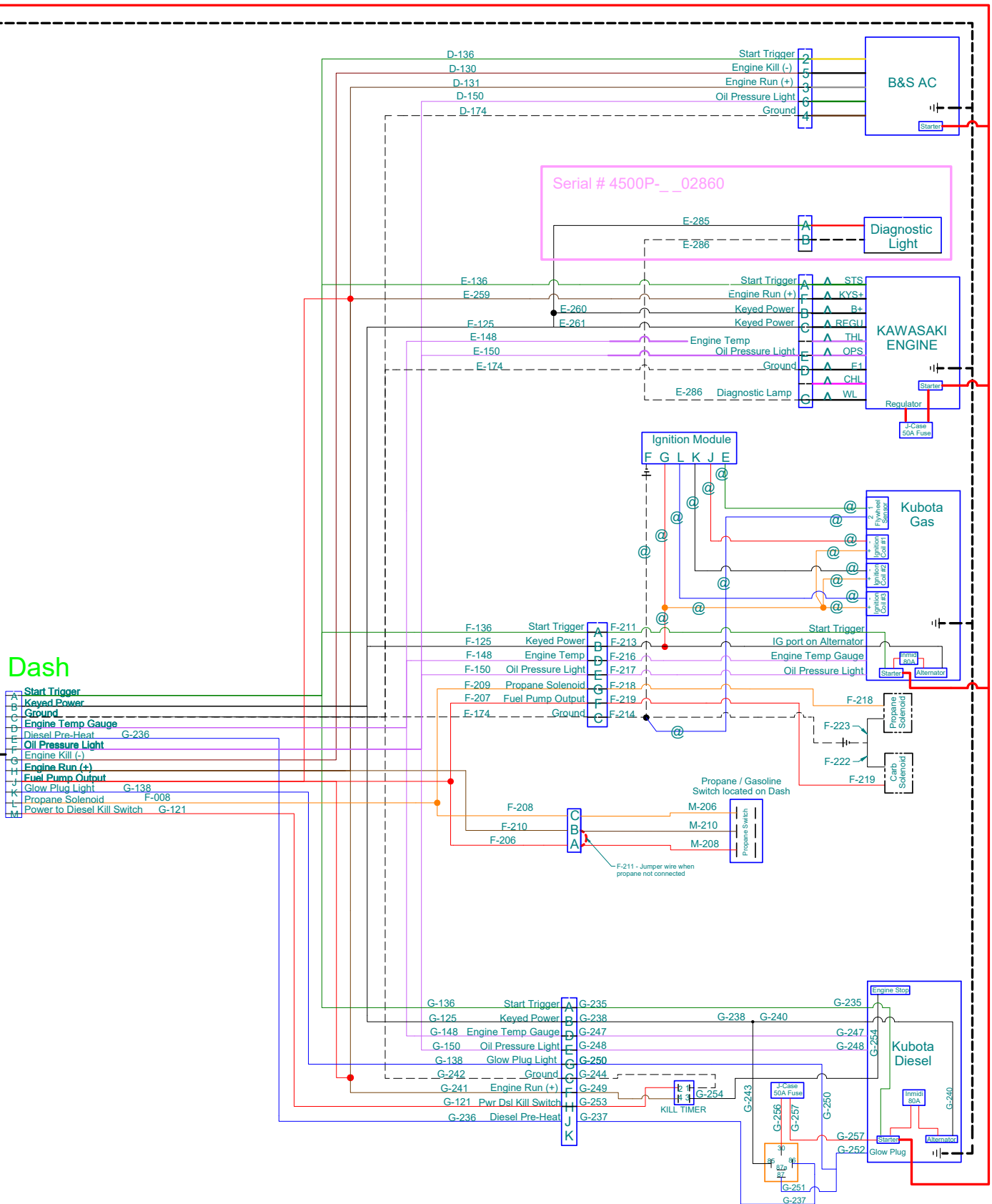
ELECTRICAL

Wiring Diagram - Front Harness



ELECTRICAL

Wiring Diagram - Engine Harness



ELECTRICAL

Wiring Diagram - Optional 30.0219 4-Pin Female Socket & 30.0218 4-Pin Male Plug

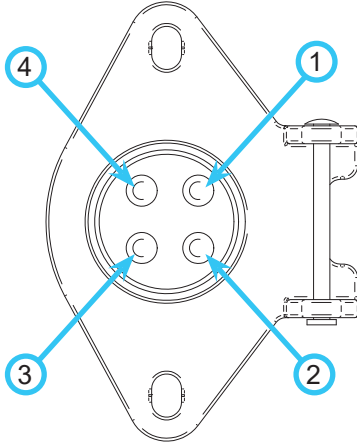


Attention

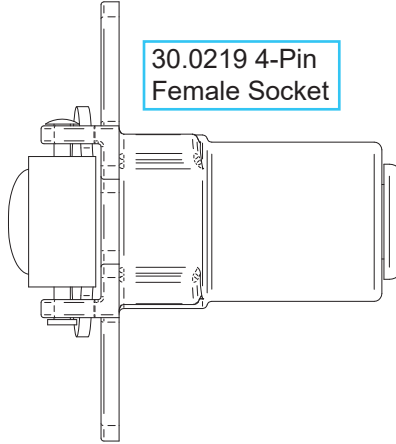
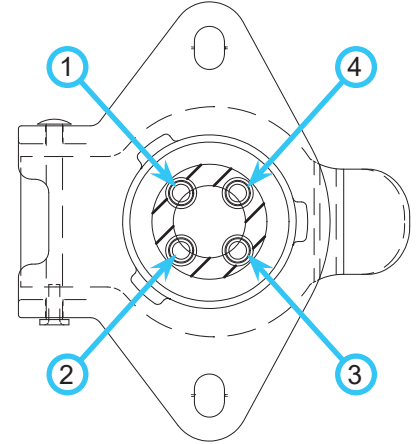
This connector (4-pin socket) is designed for use with Ventrac original equipment only. This connector (4-pin socket) is rated for 20 amp maximum current draw. Engine alternator and/or battery capacity determine allowable continuous draw.

30.0219 4-pin female socket is used in the 70.4104 12 Volt Front kit & 70.4105 12 Volt Rear Kit.

Front View of Socket
Without Cover



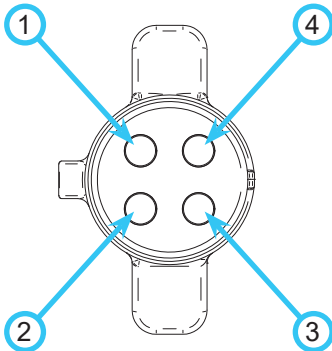
Rear View of Socket



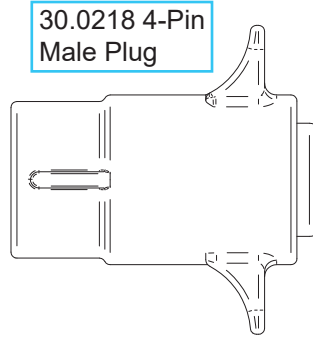
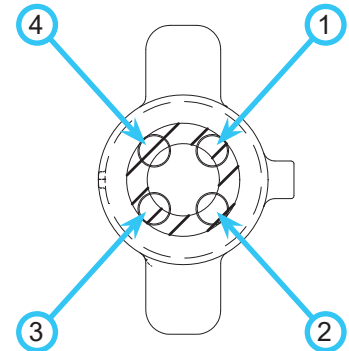
| Terminal Position | Wire Color | Function |
|-------------------|----------------|--|
| 1 | White | Positive (On/Off Switched) |
| 2 | Black | Negative (Constant) |
| 3 | Red | Positive/Negative (Momentary Switched Reversing) |
| 4 | Green or Brown | Positive/Negative (Momentary Switched Reversing) |

30.0218 4-pin plug is used on attachments to connect to the 30.0219 socket on the power unit.

Front View of Plug



Rear View of Plug

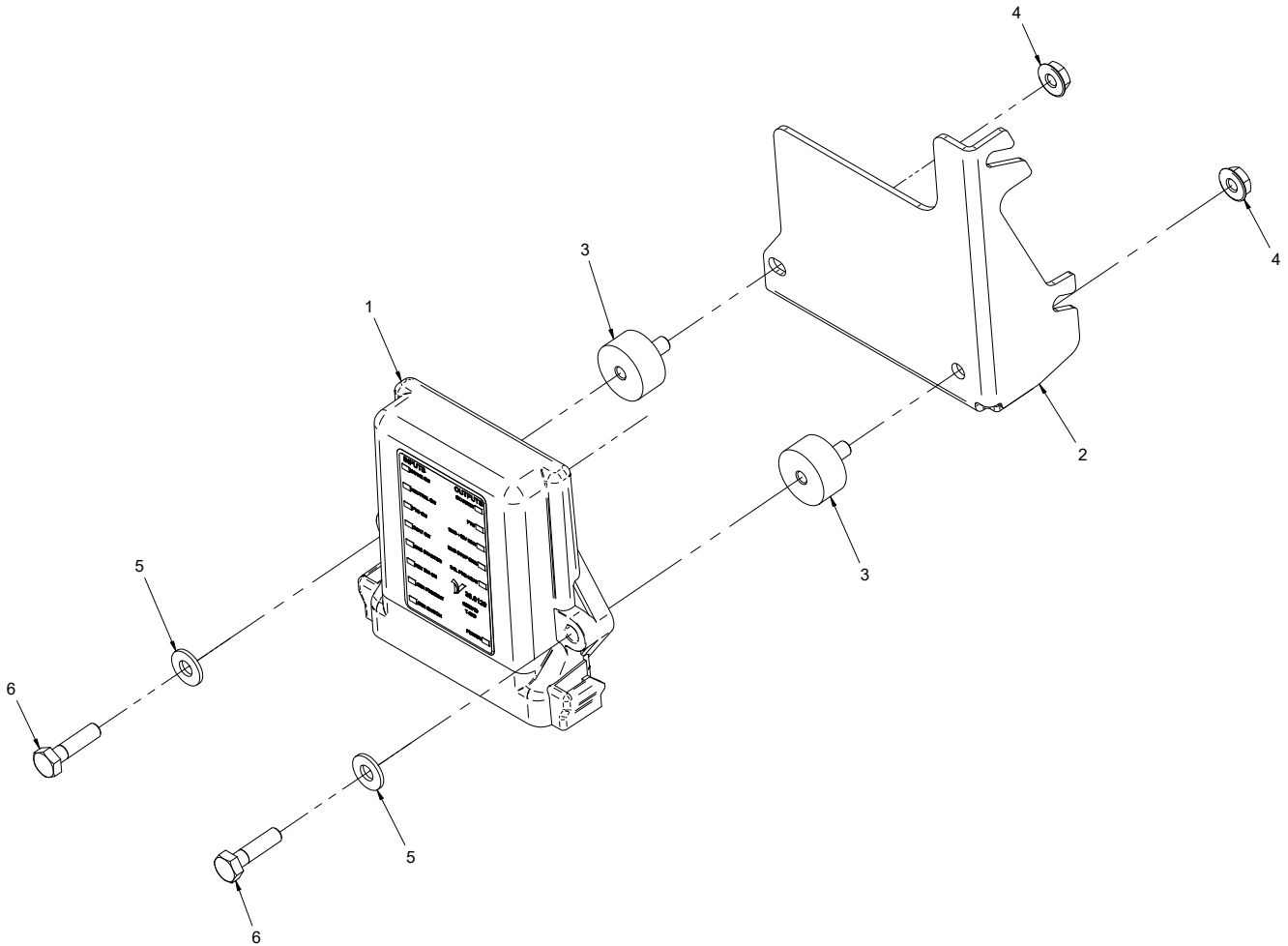


| Terminal Position | Wire Color | Function |
|-------------------|----------------|--|
| 1 | Not Specified* | Positive (On/Off Switched) |
| 2 | Not Specified* | Negative (Constant) |
| 3 | Not Specified* | Positive/Negative (Momentary Switched Reversing) |
| 4 | Not Specified* | Positive/Negative (Momentary Switched Reversing) |

* Refer to the part diagram in the attachment's operator's manual for specific wire color and terminal position for each model.

ELECTRICAL

ILLUSTRATED DRAWING Tractor Control Module



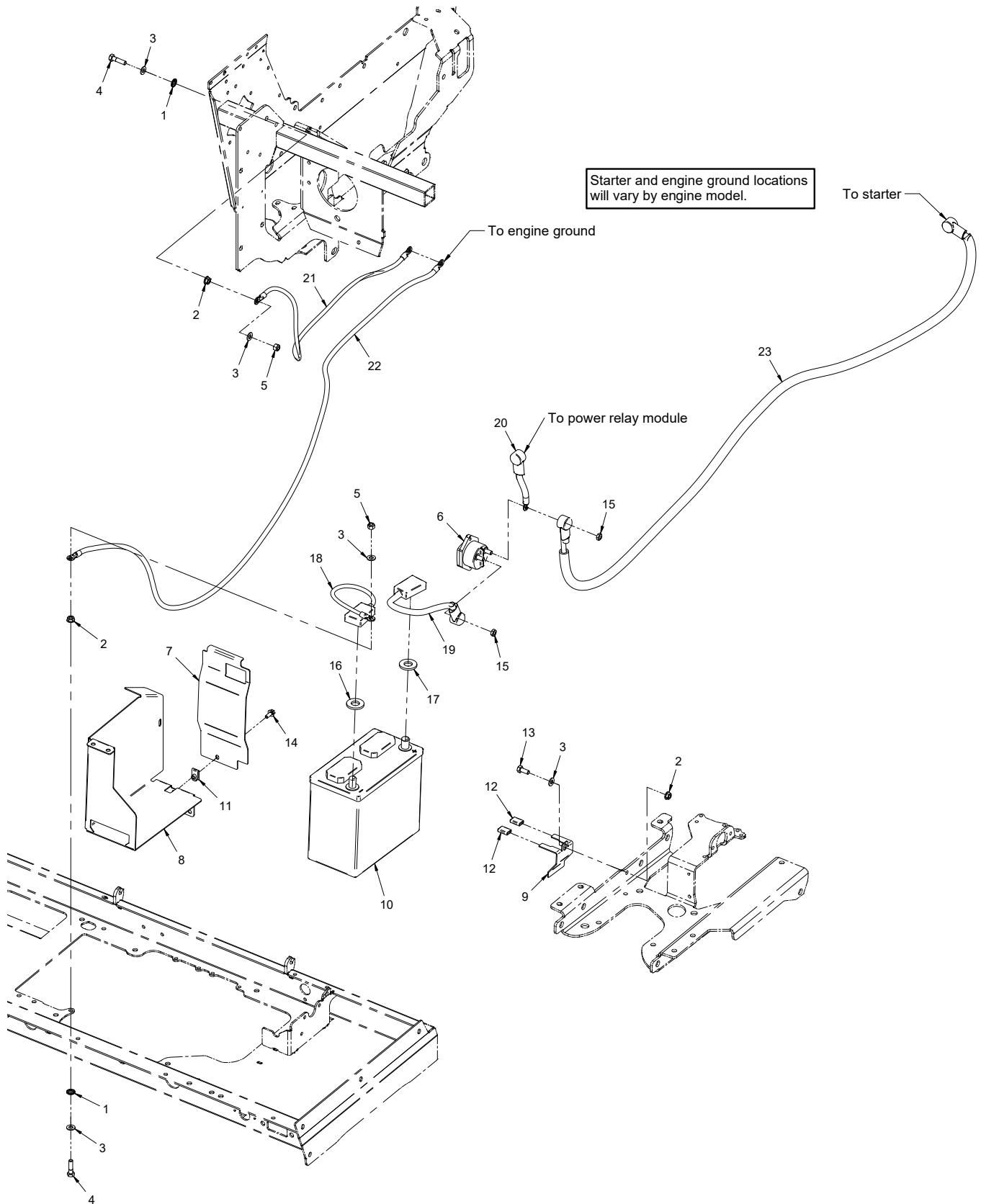
ELECTRICAL

Tractor Control Module

| REF. | PART NO. | DESCRIPTION | QTY. |
|------|----------|---|------|
| 1 | 35.0128 | .MODULE, TRACTOR CONTROL (Serial # 01001-02478) | 1 |
| 1 | 35.0146 | .MODULE, TRACTOR CONTROL (Serial # 02479-04921) | 1 |
| 1 | 35.0134 | .MODULE, TRACTOR CONTROL (Serial # 04922) | 1 |
| 2 | 64.1690 | .BRACKET, TCM | 1 |
| 3 | 05.0135 | .ISOLATOR, 1/4-20 X 1/2 X 1" F/M | 2 |
| 4 | 99.SF04 | .NUT, SRF 1/4-20 USS | 2 |
| 5 | 95.04 | .WASHER, FLAT 1/4 SAE | 2 |
| 6 | 90.0408 | .BOLT, 1/4-20 USS X 1" | 2 |

ELECTRICAL

ILLUSTRATED DRAWING Battery, Power Cables, & Ground Cables



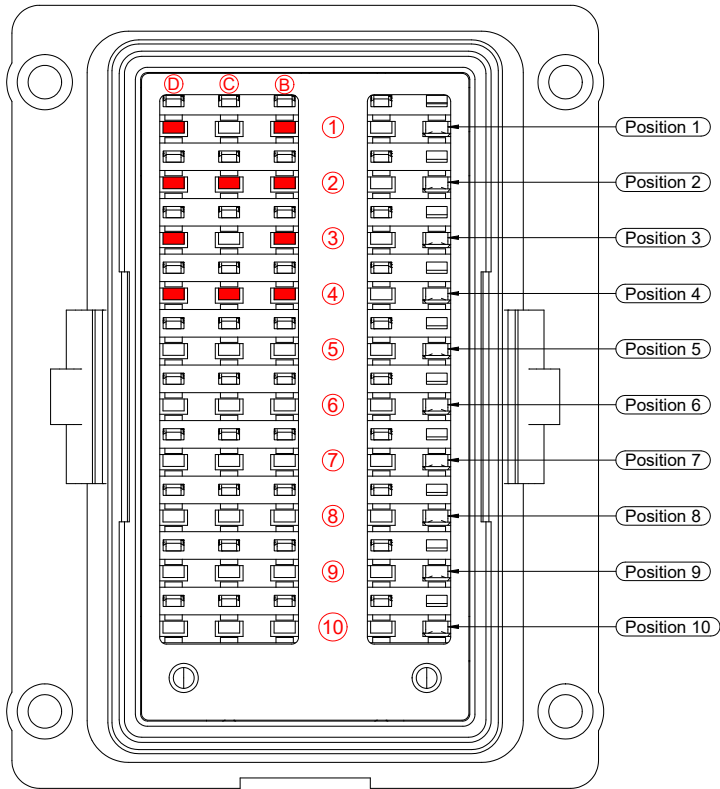
ELECTRICAL

Battery, Power Cables, & Ground Cables

| REF. | PART NO. | DESCRIPTION | QTY. |
|------|-------------|-------------------------------|------|
| 1 | 99.G0003 | .WASHER, STAR-EXTERNAL 5/16 | 2 |
| 2 | 99.SF05 | .NUT, SRF 5/16-18 USS | 3 |
| 3 | 95.05 | .WASHER, FLAT 5/16 SAE | 5 |
| 4 | 90.0510 | .BOLT, 5/16-18 USS X 1-1/4" | 2 |
| 5 | 99.A05N | .LOCKNUT, NYLON 5/16-18 USS | 2 |
| 6 | 30.0338 | .BREAKER, CIRCUIT 150 AMP | 1 |
| 7 | 60.1117 | .PANEL, FOOT PLATFORM LEFT | 1 |
| 8 | 60.1116 | .PANEL, BATTERY COMPARTMENT | 1 |
| 9 | 64.1593 | .RETAINER, BATTERY HOLD DOWN | 1 |
| 10 | 33.0060 | .BATTERY, GROUP 51-60 | 1 |
| 11 | 99.E0046 | .NUT, "U" 1/4-20 EXTRUDED | 1 |
| 12 | 06.0044 | .CAP, PLASTIC 1/8 X 1/2 X 7/8 | 2 |
| 13 | 90.0506 | .BOLT, 5/16-18 USS X 3/4" | 1 |
| 14 | 99.SF0405-1 | .BOLT, SMF 1/4-20 X 5/8 | 1 |
| 15 | 99.E0060 | .NUT, JAM 5/16-18 USS | 2 |
| 16 | 05.0122 | .WASHER, ANTI CORROSION BLACK | 1 |
| 17 | 05.0121 | .WASHER, ANTI CORROSION RED | 1 |
| 18 | 32.0101 | .CABLE, ASM NEG BATTERY 4GA | 1 |
| 19 | 32.0100 | .CABLE, ASM POS BATTERY 4GA | 1 |
| 20 | 32.0111 | .CABLE, ASM POS 6 GA | 1 |
| 21 | 32.0112 | .CABLE, ASM NEG 4GA | 1 |
| 22 | 32.0103 | .CABLE, ASM NEG 4GA | 1 |
| 23 | 32.0102 | .CABLE, ASM POS 4GA | 1 |

ELECTRICAL

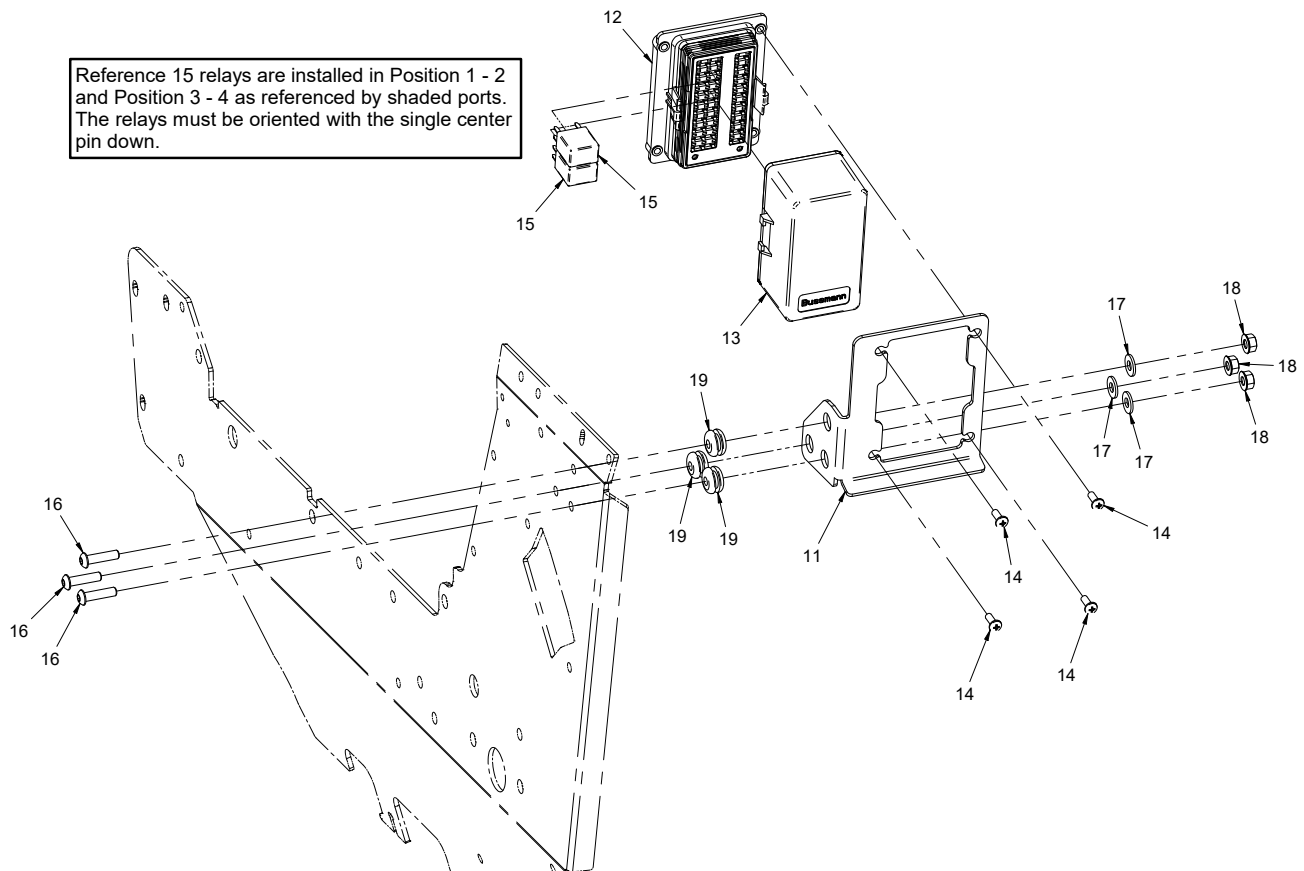
ILLUSTRATED DRAWING Front Fuse Panel



| Ref. # / Position | Circuit |
|-------------------|--|
| 1 | PTO |
| 2 | Gauges |
| 3 | Engine |
| 4 | Lights |
| 5 | Fuel Pump |
| 6* | Work / Strobe Light |
| 7* | Backup Alarm / Horn / Direction Lights |
| 8 | TCM 1 |
| 9^ | Diesel Stop |
| 10 | TCM 2 |

*Optional Accessory
^ Diesel Only

Reference 15 relays are installed in Position 1 - 2 and Position 3 - 4 as referenced by shaded ports. The relays must be oriented with the single center pin down.



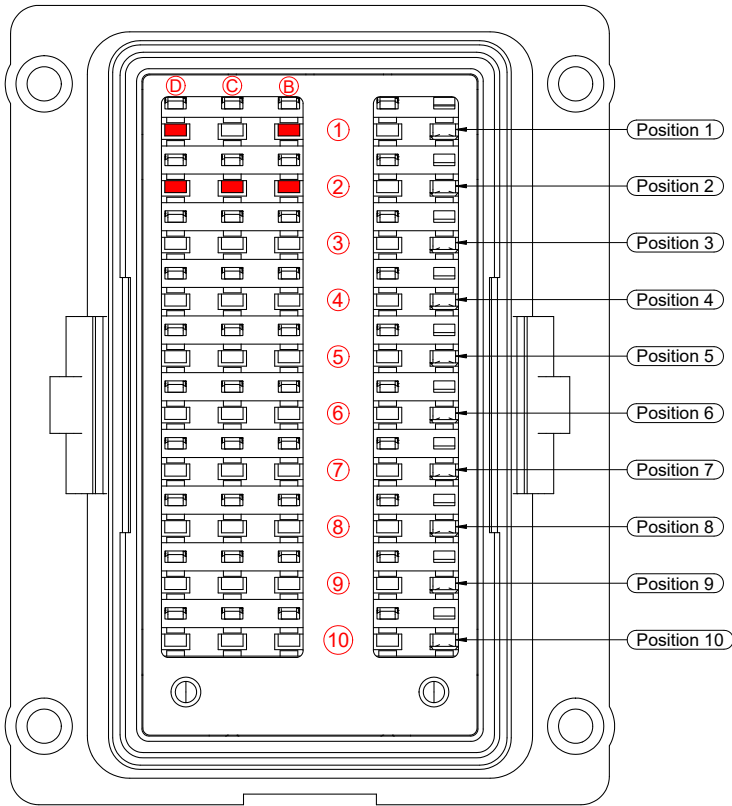
ELECTRICAL

Front Fuse Panel

| REF. | PART NO. | DESCRIPTION | QTY. |
|------|----------|---------------------------------|------|
| 1 | 30.0334 | .FUSE, 15 AMP MINI BLUE | 1 |
| 2 | 30.0332 | .FUSE, 5 AMP MINI TAN | 1 |
| 3 | 30.0332 | .FUSE, 5 AMP MINI TAN | 1 |
| 4 | 30.0334 | .FUSE, 15 AMP MINI BLUE | 1 |
| 5 | 30.0333 | .FUSE, 10 AMP MINI RED | 1 |
| 6 | 30.0334 | .FUSE, 15 AMP MINI BLUE | 1 |
| 7 | 30.0333 | .FUSE, 10 AMP MINI RED | 1 |
| 8 | 30.0332 | .FUSE, 5 AMP MINI TAN | 1 |
| 9 | 30.0333 | .FUSE, 10 AMP MINI RED | 1 |
| 10 | 30.0334 | .FUSE, 15 AMP MINI BLUE | 1 |
| 11 | 64.1648 | .BRACKET, FUSE PANEL MOUNT | 1 |
| 12 | 30.0356 | .FUSE PANEL, MINI NON-BUSSED | 1 |
| 13 | 30.0331 | .COVER, FUSE PANEL 30.0329 | 1 |
| 14 | 99.K0062 | .MACHINE SCREW, #10-32 X 1/2 | 4 |
| 15 | 35.0117 | .RELAY, 12V 35/20 AMP 280 MICRO | 2 |
| 16 | 99.0408 | .BOLT, 1/4-20 X 1 BSCS | 3 |
| 17 | 95.04 | .WASHER, FLAT 1/4 SAE | 3 |
| 18 | 99.E0101 | .NUT, LOCKING FLANGE 1/4-20 | 3 |
| 19 | 05.0146 | .GROMMET, 1/4ID, 3/4OD, 7/16THK | 3 |

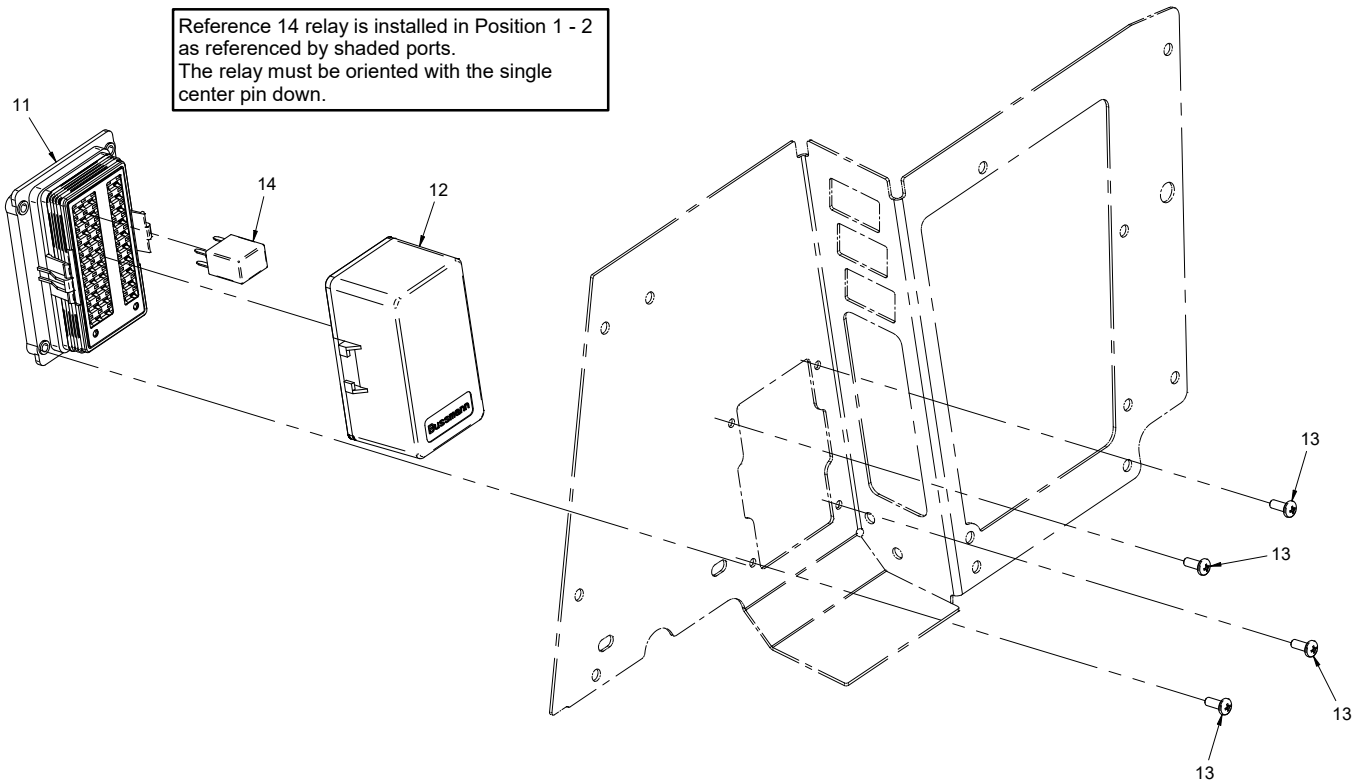
ELECTRICAL

ILLUSTRATED DRAWING Rear Fuse Panel



| Ref. # / Position | Circuit |
|---------------------|--------------------------|
| 1* | Spreader |
| 2* | Weather Cab |
| 3* | Spreader Vibrator |
| 4* | 12 Volt Rear |
| 5* | Slope Indicator |
| 6* | 12 Volt Front 1 |
| 7* | 12 Volt Front 2 |
| 8* | Hydraulic Auxiliary |
| 9 | Seat Switch |
| 10 | Hydraulic Oil Cooler Fan |
| *Optional Accessory | |

Reference 14 relay is installed in Position 1 - 2 as referenced by shaded ports. The relay must be oriented with the single center pin down.



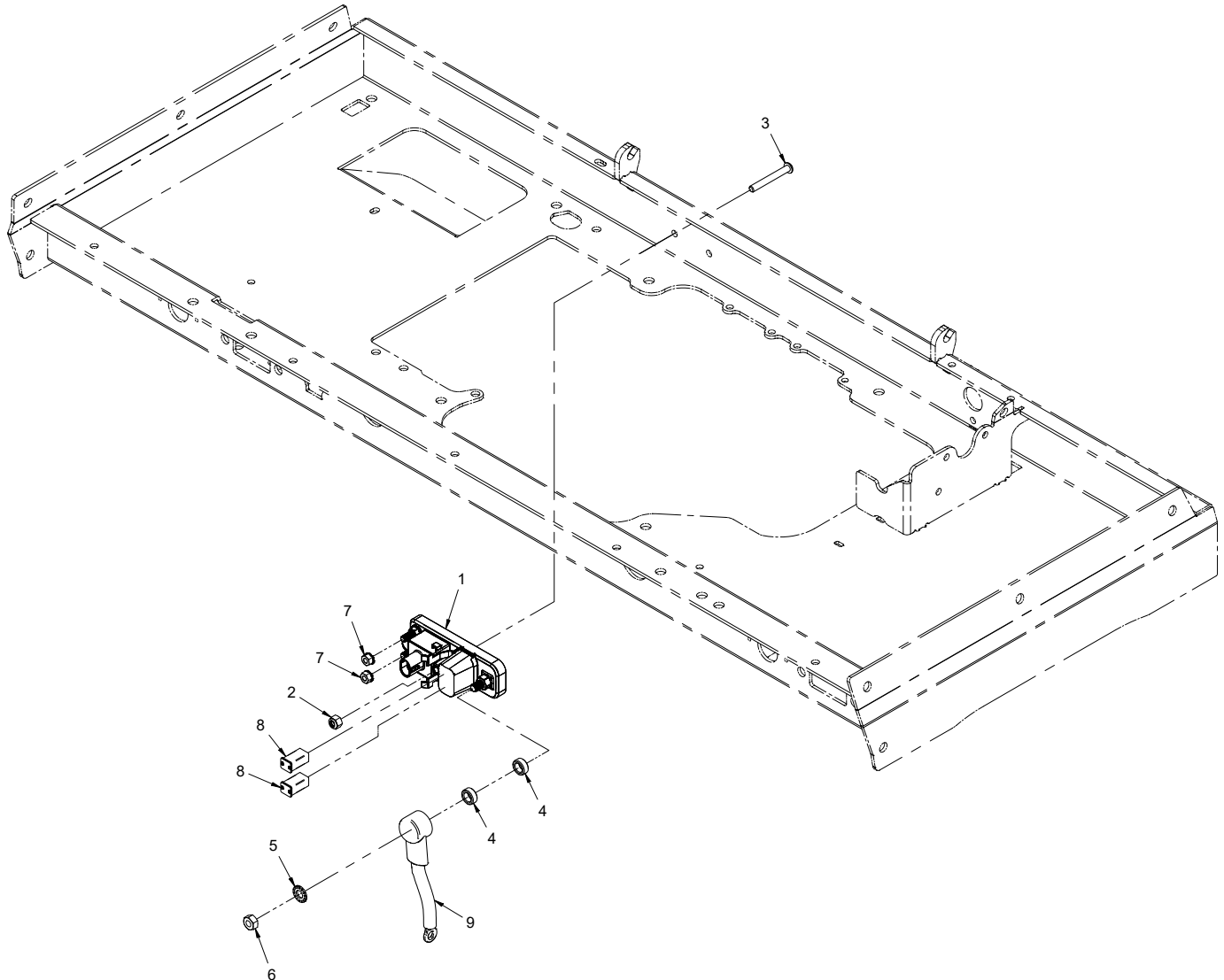
ELECTRICAL

Rear Fuse Panel

| REF. | PART NO. | DESCRIPTION | QTY. |
|------|----------|---------------------------------|------|
| 1 | 30.0429 | .BREAKER, CIRCUIT 25 AMP MINI | 1 |
| 2 | 30.0445 | .BREAKER, CIRCUIT 30 AMP MINI | 1 |
| 3 | 30.0333 | .FUSE, 10 AMP MINI RED. | 1 |
| 4 | 30.0335 | .FUSE, 20 AMP MINI YELLOW. | 1 |
| 5 | 30.0332 | .FUSE, 5 AMP MINI TAN | 1 |
| 6 | 30.0332 | .FUSE, 5 AMP MINI TAN | 1 |
| 7 | 30.0334 | .FUSE, 15 AMP MINI BLUE. | 1 |
| 8 | 30.0333 | .FUSE, 10 AMP MINI RED. | 1 |
| 9 | 30.0332 | .FUSE, 5 AMP MINI TAN | 1 |
| 10 | 30.0429 | .BREAKER, CIRCUIT 25 AMP MINI | 1 |
| 11 | 30.0356 | .FUSE PANEL, MINI NON-BUSSED | 1 |
| 12 | 30.0331 | .COVER, FUSE PANEL 30.0329 | 1 |
| 13 | 99.K0062 | .MACHINE SCREW, #10-32 X 1/2. | 4 |
| 14 | 35.0117 | .RELAY, 12V 35/20 AMP 280 MICRO | 1 |

ELECTRICAL

ILLUSTRATED DRAWING Power Relay Module



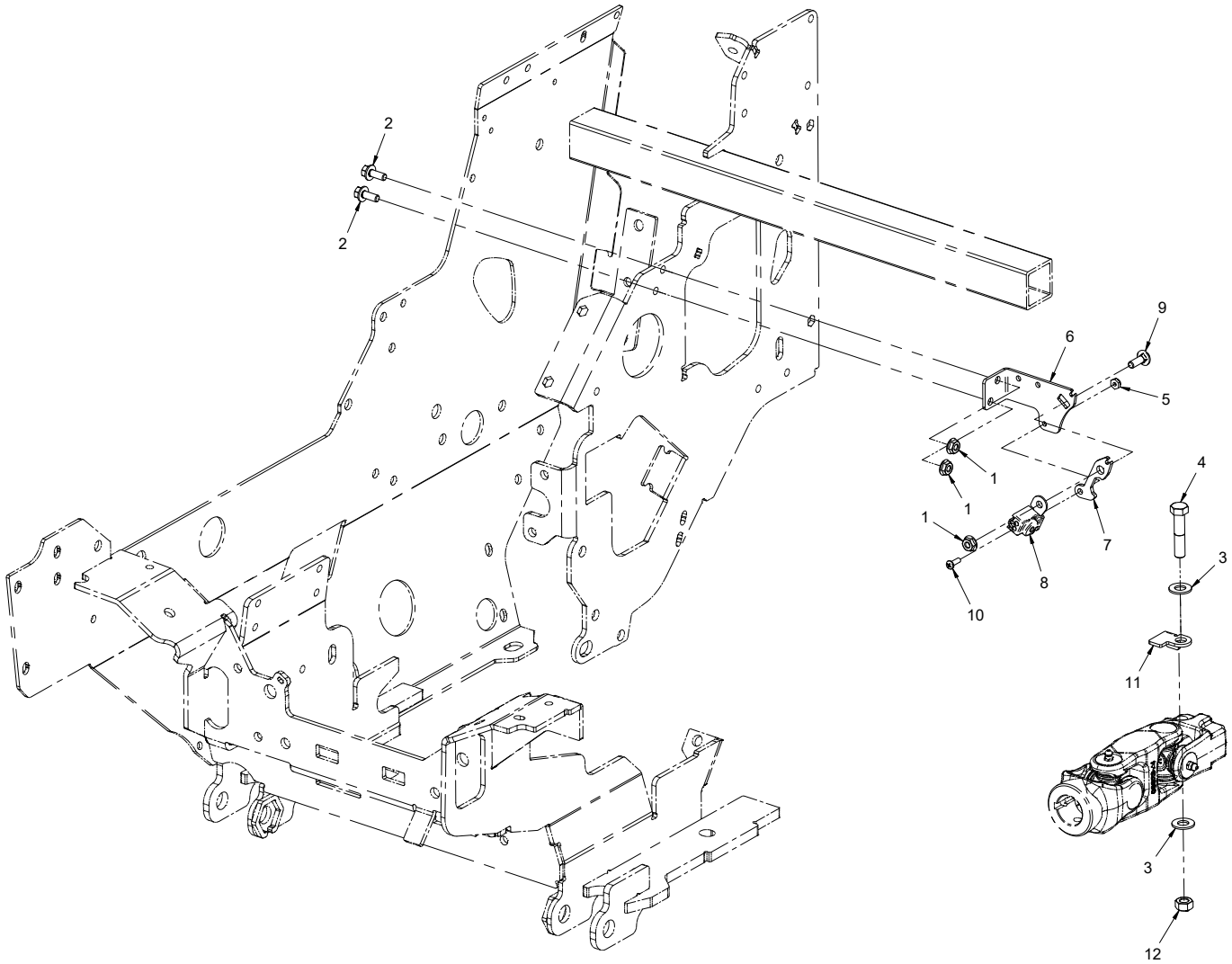
ELECTRICAL

Power Relay Module

| REF. | PART NO. | DESCRIPTION | QTY. |
|------|----------|------------------------------|------|
| 1 | 30.0339 | .MODULE, POWER RELAY | 1 |
| 2 | 99.A04N | .LOCKNUT, NYLON 1/4-20 | 1 |
| 3 | 99.0416 | .BOLT, 1/4-20 X 2 BSCS | 1 |
| 4 | 64.0602 | .BUSHING, 3/8 X 5/8 X .265 | 2 |
| 5 | 99.G0003 | .WASHER, STAR-EXTERNAL 5/16 | 1 |
| 6 | 99.M0008 | .NUT, M8 X 1.25MM ZP | 1 |
| 7 | 99.M0029 | .NUT, M6 X 1.0 W/LOCK WASHER | 2 |
| 8 | 30.0374 | .FUSE, 50A J-CASE ORANGE | 2 |
| 9 | 32.0111 | .CABLE, ASM POS 6 GA. | 1 |

ELECTRICAL

ILLUSTRATED DRAWING RPM Sensor



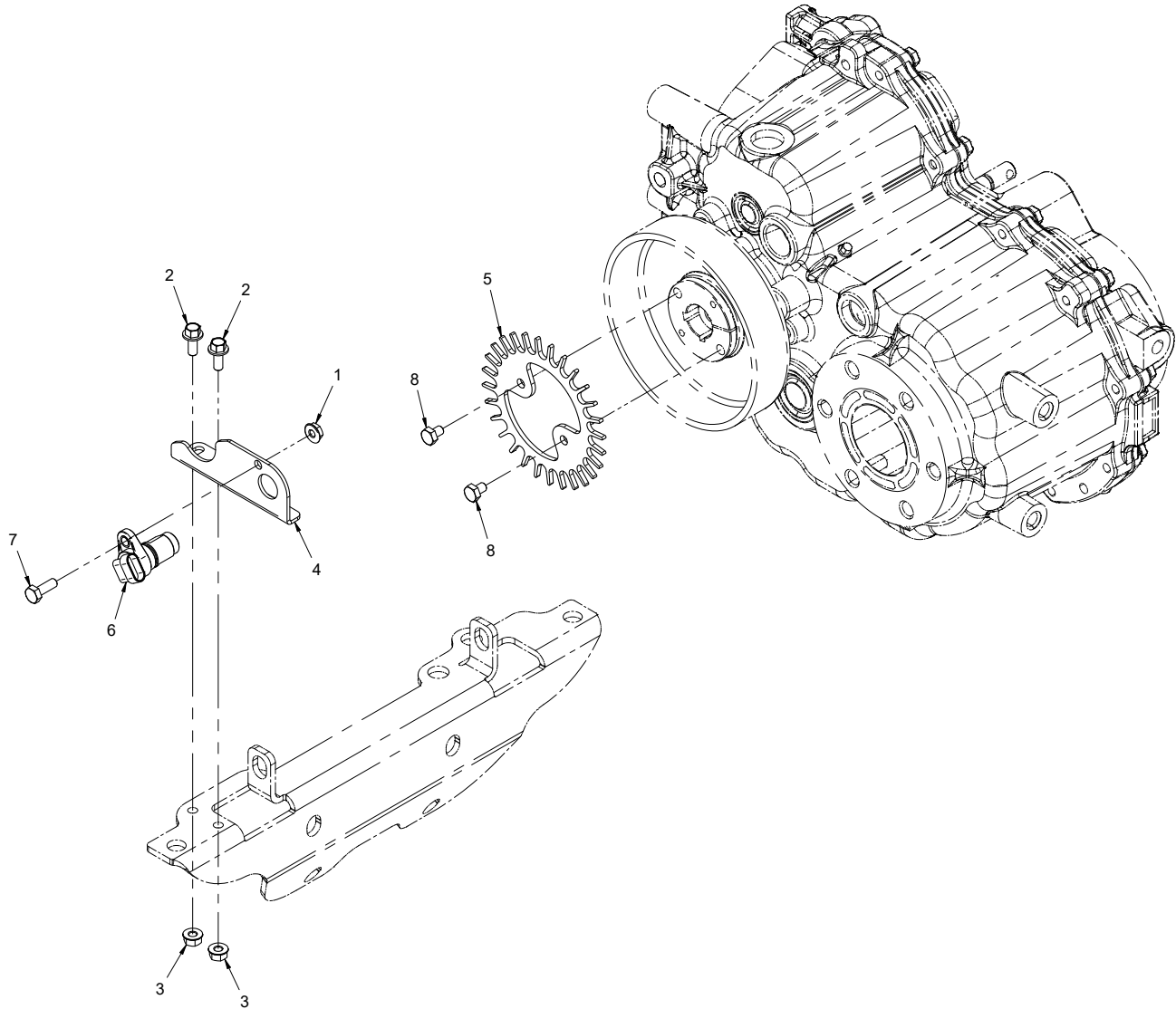
ELECTRICAL

RPM Sensor

| REF. | PART NO. | DESCRIPTION | QTY. |
|------|-------------|---------------------------------|------|
| 1 | 99.SF04 | .NUT, SRF 1/4-20 USS | 3 |
| 2 | 99.SF0405-1 | .BOLT, SMF 1/4-20 X 5/8 | 2 |
| 3 | 95.06 | .WASHER, FLAT 3/8 SAE | 2 |
| 4 | 90.0614 | .BOLT, 3/8-16 USS X 1-3/4 | 1 |
| 5 | 99.E0062 | .NUT, SRF #8-32 | 1 |
| 6 | 64.1653 | .BRACKET, RPM SENSOR MOUNT | 1 |
| 7 | 64.1655 | .PLATE, TACH RPM SENSOR SPACER | 1 |
| 8 | 13.0162 | .TRIGGER, IGNITION | 1 |
| 9 | 97.0406 | .BOLT, CARRIAGE 1/4 X 3/4 | 1 |
| 10 | 99.K0041 | .MACHINE SCREW, #8-32 X 1/2 | 1 |
| 11 | 64.1654 | .PLATE, DRIVESHAFT TACH TRIGGER | 1 |
| 12 | 99.A06 | .LOCKNUT, STOVER 3/8-16 USS | 1 |

ELECTRICAL

ILLUSTRATED DRAWING Speedometer Sensor



ELECTRICAL

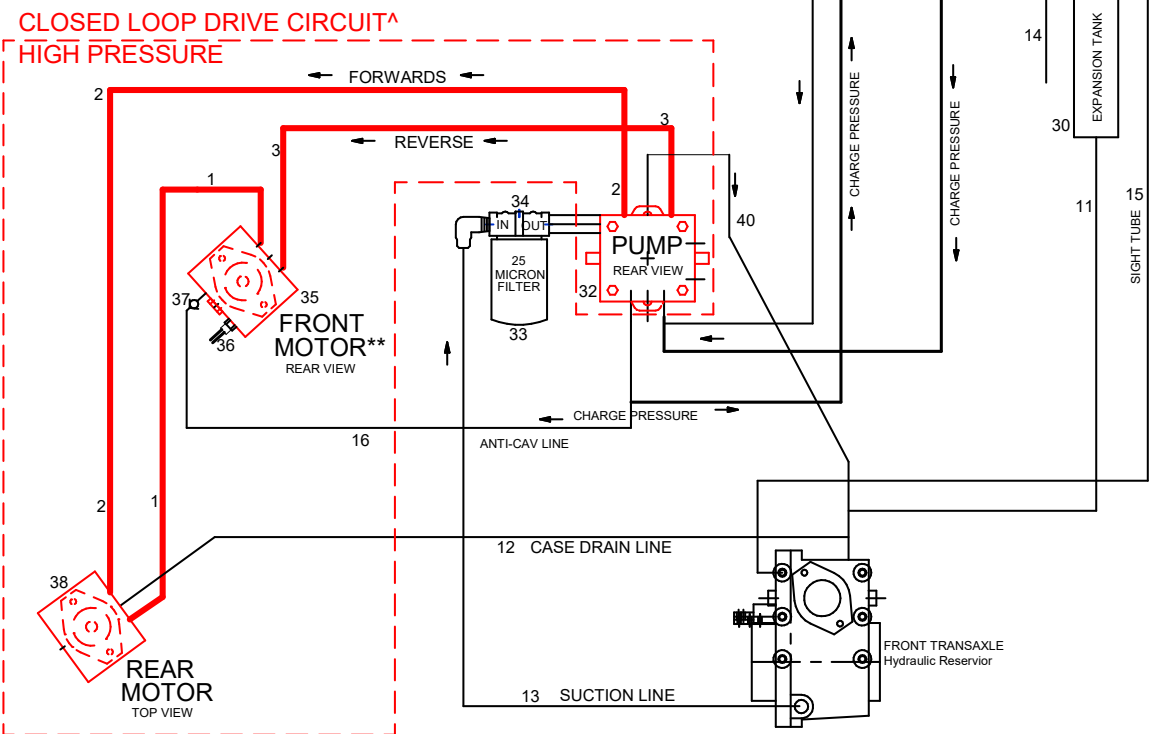
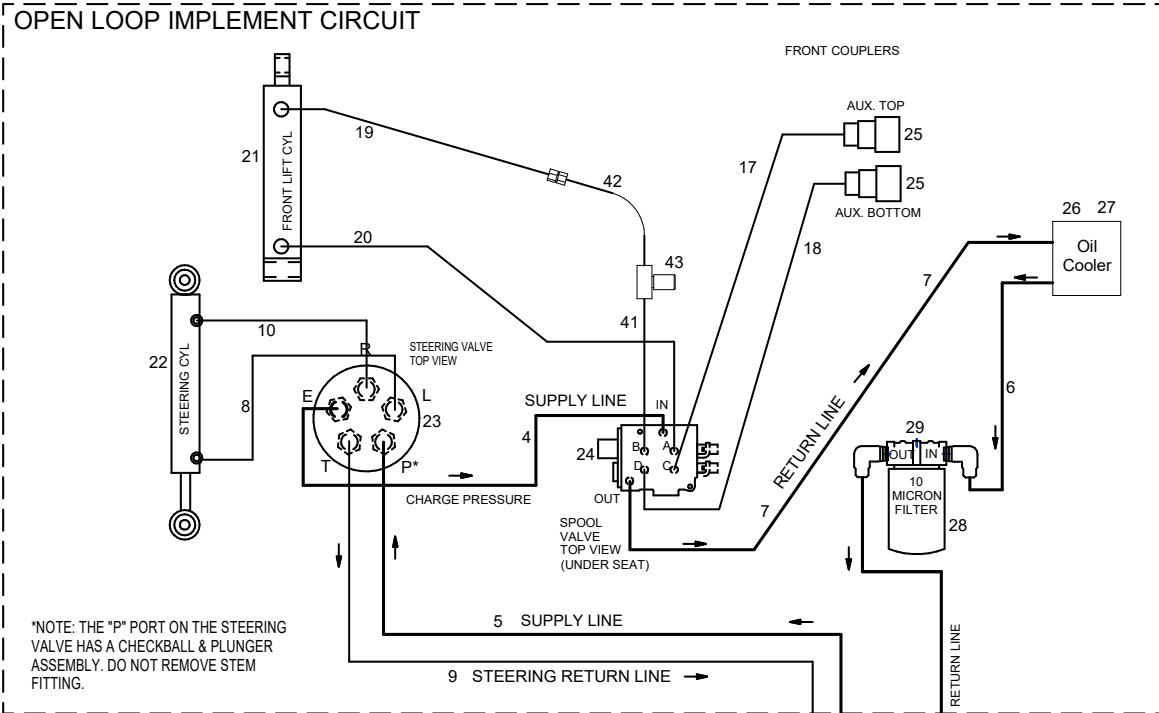
Speedometer Sensor

| REF. | PART NO. | DESCRIPTION | QTY. |
|------|-------------|------------------------------|------|
| 1 | 99.SF04 | .NUT, SRF 1/4-20 USS. | 1 |
| 2 | 99.SF0405-1 | .BOLT, SMF 1/4-20 X 5/8 | 2 |
| 3 | 99.E0101 | .NUT, LOCKING FLANGE 1/4-20 | 2 |
| 4 | 64.1604 | .BRACKET, SPEED SENSOR MOUNT | 1 |
| 5 | 64.1606 | .PLATE, SPEED INDICATOR | 1 |
| 6 | 35.0121 | .SENSOR, GEAR TOOTH SPEED | 1 |
| 7 | 90.0406 | .BOLT, 1/4-20 USS X 3/4" | 1 |
| 8 | 90.0403 | .BOLT, 1/4-20 USS X 3/8 | 2 |

HYDRAULICS, AXLES, & WHEELS

ILLUSTRATED DRAWING Hydraulic Diagram

ALL VIEWS ARE FROM REAR OF TRACTOR, OR AS NOTED



^AIF ANY PART OF THE CLOSED LOOP HYDROSTATIC DRIVE CIRCUIT (PUMP, FRONT DRIVE MOTOR, REAR DRIVE MOTOR, OR ANY OF THE THREE 1/2" HYDRAULIC LINES CONNECTING THEM TOGETHER) IS SERVICED OR REPLACED, THE VENTRAC CLOSED LOOP DRIVE CIRCUIT FILTRATION PROCEDURE MUST BE PERFORMED. THIS PROCEDURE REQUIRES A SPECIAL VENTRAC REMOTE FILTERING TOOL (KIT # 70.0122) AND MUST BE PERFORMED BY A VENTRAC AUTHORIZED TECHNICIAN. FAILURE TO PERFORM THIS FILTERING PROCEDURE FOLLOWING A REPAIR CAN RESULT IN COMPONENT AND/OR COMPLETE SYSTEM FAILURE AND MAY VOID WARRANTY.

**NOTE: THE FRONT TRANSAXLE IS PART OF THE HYDRAULIC SYSTEM, SO THE FRONT MOTOR MUST HAVE THE SEAL REMOVED. THE REAR TRANSAXLE IS SEPARATE FROM THE HYDRAULIC SYSTEM, SO THE SHAFT SEAL IN THE REAR MOTOR MUST NOT BE REMOVED.

HYDRAULICS, AXLES, & WHEELS

Hydraulic Diagram

| REF. | PART NO. | DESCRIPTION | QTY. |
|------|----------------|---------------------------------|------|
| 1 | 20.0295 | .HOSE, 1/2X55.00 SS BRAID PTFE | 1 |
| 2 | 20.0296 | .HOSE, 1/2X74.50 SS BRAID PTFE | 1 |
| 3 | 20.0297 | .HOSE, 1/2X18.38 SS BRAID PTFE | 1 |
| 4 | 20.0298 | .HOSE, 3/8X56.00 SAE 100R17 AR | 1 |
| 5 | 20.0155 | .HOSE, 3/8X19.00 SAE 100R17AR | 1 |
| 6 | 20.0300 | .HOSE, 3/8X69.00 SAE 100R17 AR | 1 |
| 7 | 20.0299 | .HOSE, 3/8X32.00 SAE 100R17 AR | 1 |
| 8 | 20.0122 | .HOSE, 1/4X43.00 SAE 100R17AR | 1 |
| 9 | 20.0123 | .HOSE, 1/4X19.50 SAE 100R17AR | 1 |
| 10 | 20.0136 | .HOSE, 1/4X36.00 SAE 100R17AR | 1 |
| 11 | 22.0052 | .HOSE, 1/2X22.00 PLK 250PSI CPE | 1 |
| 12 | 22.0058 | .HOSE, 3/8X54.00 PLK 250PSI CPE | 1 |
| 13 | 22.0050 | .HOSE, 3/4X22.00 PLK 250PSI CPE | 1 |
| 14 | 27.F04-30IN | .HOSE, FUEL LINE 1/4 X 30" | 1 |
| 15 | 27.T06-3-36IN. | .TUBE, SILICON 3/8" ID X 36" | 1 |
| 16 | 20.0304 | .HOSE, 1/4X20.50 SAE 100R17 AR | 1 |
| 17 | 20.0303 | .HOSE, 1/4X58.00 SAE 100R17 AR | 1 |
| 18 | 20.0303 | .HOSE, 1/4X58.00 SAE 100R17 AR | 1 |
| 19 | 20.0303 | .HOSE, 1/4X58.00 SAE 100R17 AR | 1 |
| 20 | 20.0302 | .HOSE, 1/4X48.00 SAE 100R17 AR | 1 |
| 21 | 23.0156 | .CYLINDER, 2-1/4" X 7" LIFT | 1 |
| 22 | 23.0145 | .CYLINDER, 1-3/4" X 8 STEERING | 1 |
| 23 | 23.0113 | .VALVE, STEERING-DANFOSS 100CC. | 1 |
| 24 | 23.0111-1 | .VALVE, HY 2 SPL W/LH FLT,RH SP | 1 |
| 25 | 23.0106 | .COUPLER, QUICK FEMALE 1/4 | 2 |
| 26 | 21.0121 | .COOLER, HYDRAULIC | 1 |
| 27 | 13.0239 | .SWITCH, TEMPERATURE | 1 |
| 28 | 21.0124 | .FILTER, HYD. 10 MICRON CEL | 1 |
| 29 | 21.0123 | .FILTER, HEAD 06 ORB | 1 |
| 30 | 47.0315 | .TANK, OIL | 1 |
| 31 | 47.0319 | .CAP, COOLANT RECOVERY TANK | 1 |
| 32 | 21.0080 | .PUMP, HYDRAULIC | 1 |
| 33 | 21.0122 | .FILTER, HYD. 25 MICRON SYN | 1 |
| 34 | 21.0119 | .FILTER, HEAD -10 ORB PORTS | 1 |
| 35 | 21.0081** | .MOTOR, HYD. SUNDSTRAND | 1 |
| 36 | 13.0254 | .SWITCH, TEMP -08 SAE ORB | 1 |
| 37 | 23.0159 | .VALVE, CHECK VONBERG | 1 |
| 38 | 21.0081** | .MOTOR, HYD. SUNDSTRAND | 1 |
| 39 | 20.0301 | .HOSE, 3/8X20.00 SAE 100R17 AR | 1 |
| 40 | 22.0059 | .HOSE, 1/2X17.00 PLK 250PSI CPE | 1 |
| 41 | 20.0302 | .HOSE, 1/4X48.00 SAE 100R17 AR | 1 |
| 42 | 20.0311 | .HOSE, 1/4X08.00 SAE 100R17 AR | 1 |
| 43 | 23.0161 | .VALVE, NEEDLE | 1 |

**When replacing the front motor, the shaft seal must be removed.
When replacing the rear motor, the shaft seal MUST NOT be removed.

HYDRAULICS, AXLES, & WHEELS

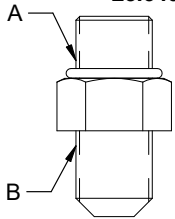
O-Ring Chart

| Straight Thread O-Ring Boss - O-Ring Replacement Part Numbers | | | | | | |
|---|-------------|------------|--------|--------|--------|---------------|
| SAE Fitting Size | Thread Size | VPI Part # | ID | OD | Width | AS568A Dash # |
| -04 | 7/16-20 | 26.0035 | 0.351" | 0.495" | 0.072" | 904 |
| -06 | 9/16-18 | 26.0036 | 0.468" | 0.624" | 0.078" | 906 |
| -08 | 3/4-16 | 26.0037 | 0.644" | 0.818" | 0.087" | 908 |
| -10 | 7/8-14 | 26.0038 | 0.755" | 0.949" | 0.097" | 910 |
| -12 | 1-1/16-12 | 26.0039 | 0.924" | 1.156" | 0.116" | 912 |
| -16 | 1-5/16-12 | 26.0043 | 1.171" | 1.403" | 0.116" | 916 |

| O-Ring Face Seal Hose - O-Ring Replacement Part Numbers | | | | | | |
|---|-------------|------------|--------|--------|--------|---------------|
| SAE Fitting Size | Thread Size | VPI Part # | ID | OD | Width | AS568A Dash # |
| -04 | 9/16-18 | 26.0044 | 0.301" | 0.441" | 0.070" | 011 |
| -06 | 11/16-16 | 26.0025 | 0.364" | 0.504" | 0.070" | 012 |
| -08 | 13/16-16 | 26.0009 | 0.489" | 0.629" | 0.070" | 014 |
| -10 | 1-14 | 26.0023 | 0.614" | 0.754" | 0.070" | 016 |
| -12 | 1-3/16-12 | 26.0045 | 0.739" | 0.879" | 0.070" | 018 |
| -16 | 1-7/16-12 | 26.0046 | 0.926" | 1.066" | 0.070" | 021 |

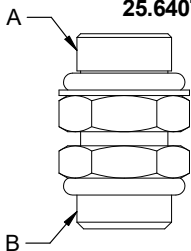
Fitting Chart

25.6400-(xx)-(xx) Fitting



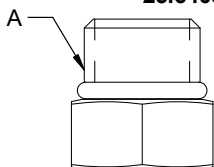
| Fitting End A | | O-Ring | | Fitting End B | | O-Ring | |
|------------------|-------------|---------------|------------|------------------|-------------|---------------|------------|
| SAE Fitting Size | Thread Size | AS568A Dash # | VPI Part # | SAE Fitting Size | Thread Size | AS568A Dash # | VPI Part # |
| -04 | 7/16-20 | 904 | 26.0035 | -04 | 7/16-20 | - | - |
| -06 | 9/16-18 | 906 | 26.0036 | -06 | 9/16-18 | - | - |
| -08 | 3/4-16 | 908 | 26.0037 | -08 | 3/4-16 | - | - |
| -10 | 7/8-14 | 910 | 26.0038 | -10 | 7/8-14 | - | - |
| -12 | 1-1/16-12 | 912 | 26.0039 | -12 | 1-1/16-12 | - | - |
| -16 | 1-5/16-12 | 916 | 26.0043 | -16 | 1-5/16-12 | - | - |

25.6407-(xx)-(xx) Fitting



| Fitting End A | | O-Ring | | Fitting End B | | O-Ring | |
|------------------|-------------|---------------|------------|------------------|-------------|---------------|------------|
| SAE Fitting Size | Thread Size | AS568A Dash # | VPI Part # | SAE Fitting Size | Thread Size | AS568A Dash # | VPI Part # |
| -04 | 7/16-20 | 904 | 26.0035 | -04 | 7/16-20 | 904 | 26.0035 |
| -06 | 9/16-18 | 906 | 26.0036 | -06 | 9/16-18 | 906 | 26.0036 |
| -08 | 3/4-16 | 908 | 26.0037 | -08 | 3/4-16 | 908 | 26.0037 |
| -10 | 7/8-14 | 910 | 26.0038 | -10 | 7/8-14 | 910 | 26.0038 |
| -12 | 1-1/16-12 | 912 | 26.0039 | -12 | 1-1/16-12 | 912 | 26.0039 |
| -16 | 1-5/16-12 | 916 | 26.0043 | -16 | 1-5/16-12 | 916 | 26.0043 |

25.6408-(xx) Plug

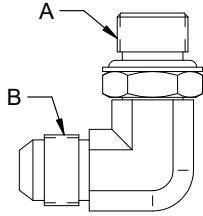


| Fitting End A | | O-Ring | |
|------------------|-------------|---------------|------------|
| SAE Fitting Size | Thread Size | AS568A Dash # | VPI Part # |
| -04 | 7/16-20 | 904 | 26.0035 |
| -06 | 9/16-18 | 906 | 26.0036 |
| -08 | 3/4-16 | 908 | 26.0037 |
| -10 | 7/8-14 | 910 | 26.0038 |
| -12 | 1-1/16-12 | 912 | 26.0039 |
| -16 | 1-5/16-12 | 916 | 26.0043 |

HYDRAULICS, AXLES, & WHEELS

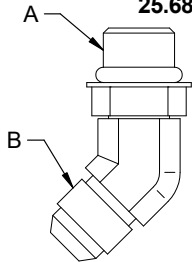
Fitting Chart

25.6801-(xx)-(xx) Fitting



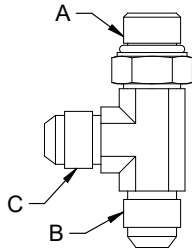
| Fitting End A | | O-Ring | | Fitting End B | | O-Ring | |
|------------------|-------------|---------------|------------|------------------|-------------|---------------|------------|
| SAE Fitting Size | Thread Size | AS568A Dash # | VPI Part # | SAE Fitting Size | Thread Size | AS568A Dash # | VPI Part # |
| -04 | 7/16-20 | 904 | 26.0035 | -04 | 7/16-20 | - | - |
| -06 | 9/16-18 | 906 | 26.0036 | -06 | 9/16-18 | - | - |
| -08 | 3/4-16 | 908 | 26.0037 | -08 | 3/4-16 | - | - |
| -10 | 7/8-14 | 910 | 26.0038 | -10 | 7/8-14 | - | - |
| -12 | 1-1/16-12 | 912 | 26.0039 | -12 | 1-1/16-12 | - | - |
| -16 | 1-5/16-12 | 916 | 26.0043 | -16 | 1-5/16-12 | - | - |

25.6802-(xx)-(xx) Fitting



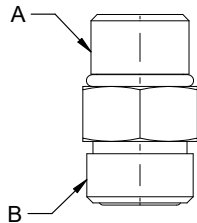
| Fitting End A | | O-Ring | | Fitting End B | | O-Ring | |
|------------------|-------------|---------------|------------|------------------|-------------|---------------|------------|
| SAE Fitting Size | Thread Size | AS568A Dash # | VPI Part # | SAE Fitting Size | Thread Size | AS568A Dash # | VPI Part # |
| -04 | 7/16-20 | 904 | 26.0035 | -04 | 7/16-20 | - | - |
| -06 | 9/16-18 | 906 | 26.0036 | -06 | 9/16-18 | - | - |
| -08 | 3/4-16 | 908 | 26.0037 | -08 | 3/4-16 | - | - |
| -10 | 7/8-14 | 910 | 26.0038 | -10 | 7/8-14 | - | - |
| -12 | 1-1/16-12 | 912 | 26.0039 | -12 | 1-1/16-12 | - | - |
| -16 | 1-5/16-12 | 916 | 26.0043 | -16 | 1-5/16-12 | - | - |

25.6804-(x)-(x)-(x) Fitting



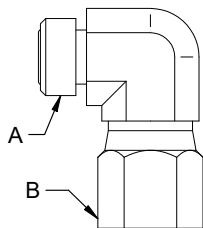
| Fitting End A | | O-Ring | | Fitting End B & C | | O-Ring | |
|------------------|-------------|---------------|------------|-------------------|-------------|---------------|------------|
| SAE Fitting Size | Thread Size | AS568A Dash # | VPI Part # | SAE Fitting Size | Thread Size | AS568A Dash # | VPI Part # |
| -04 | 7/16-20 | 904 | 26.0035 | -04 | 7/16-20 | - | - |
| -06 | 9/16-18 | 906 | 26.0036 | -06 | 9/16-18 | - | - |
| -08 | 3/4-16 | 908 | 26.0037 | -08 | 3/4-16 | - | - |
| -10 | 7/8-14 | 910 | 26.0038 | -10 | 7/8-14 | - | - |
| -12 | 1-1/16-12 | 912 | 26.0039 | -12 | 1-1/16-12 | - | - |
| -16 | 1-5/16-12 | 916 | 26.0043 | -16 | 1-5/16-12 | - | - |

25.FF6400-(xx)-(xx) Fitting



| Fitting End A | | O-Ring | | Fitting End B | | O-Ring | |
|------------------|-------------|---------------|------------|------------------|-------------|---------------|------------|
| SAE Fitting Size | Thread Size | AS568A Dash # | VPI Part # | SAE Fitting Size | Thread Size | AS568A Dash # | VPI Part # |
| -04 | 7/16-20 | 904 | 26.0035 | -04 | 9/16-18 | 011 | 26.0044 |
| -06 | 9/16-18 | 906 | 26.0036 | -06 | 11/16-16 | 012 | 26.0025 |
| -08 | 3/4-16 | 908 | 26.0037 | -08 | 13/16-16 | 014 | 26.0009 |
| -10 | 7/8-14 | 910 | 26.0038 | -10 | 1-14 | 016 | 26.0023 |
| -12 | 1-1/16-12 | 912 | 26.0039 | -12 | 1-3/16-12 | 018 | 26.0045 |
| -16 | 1-5/16-12 | 916 | 26.0043 | -16 | 1-7/16-12 | 021 | 26.0046 |

25.FF6500-(xx)-(xx) Fitting

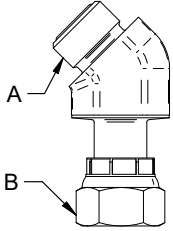


| Fitting End A | | O-Ring | | Fitting End B | | O-Ring | |
|------------------|-------------|---------------|------------|------------------|-------------|---------------|------------|
| SAE Fitting Size | Thread Size | AS568A Dash # | VPI Part # | SAE Fitting Size | Thread Size | AS568A Dash # | VPI Part # |
| -04 | 9/16-18 | 011 | 26.0044 | -04 | 9/16-18 | - | - |
| -06 | 11/16-16 | 012 | 26.0025 | -06 | 11/16-16 | - | - |
| -08 | 13/16-16 | 014 | 26.0009 | -08 | 13/16-16 | - | - |
| -10 | 1-14 | 016 | 26.0023 | -10 | 1-14 | - | - |
| -12 | 1-3/16-12 | 018 | 26.0045 | -12 | 1-3/16-12 | - | - |
| -16 | 1-7/16-12 | 021 | 26.0046 | -16 | 1-7/16-12 | - | - |

HYDRAULICS, AXLES, & WHEELS

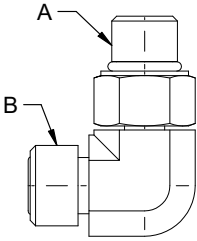
Fitting Chart

25.FF6502-(xx)-(xx) Fitting



| Fitting End A | | O-Ring | | Fitting End B | | O-Ring | |
|------------------|-------------|---------------|------------|------------------|-------------|---------------|------------|
| SAE Fitting Size | Thread Size | AS568A Dash # | VPI Part # | SAE Fitting Size | Thread Size | AS568A Dash # | VPI Part # |
| -04 | 9/16-18 | 011 | 26.0044 | -04 | 9/16-18 | - | - |
| -06 | 11/16-16 | 012 | 26.0025 | -06 | 11/16-16 | - | - |
| -08 | 13/16-16 | 014 | 26.0009 | -08 | 13/16-16 | - | - |
| -10 | 1-14 | 016 | 26.0023 | -10 | 1-14 | - | - |
| -12 | 1-3/16-12 | 018 | 26.0045 | -12 | 1-3/16-12 | - | - |
| -16 | 1-7/16-12 | 021 | 26.0046 | -16 | 1-7/16-12 | - | - |

25.FF6801-(xx)-(xx) Fitting



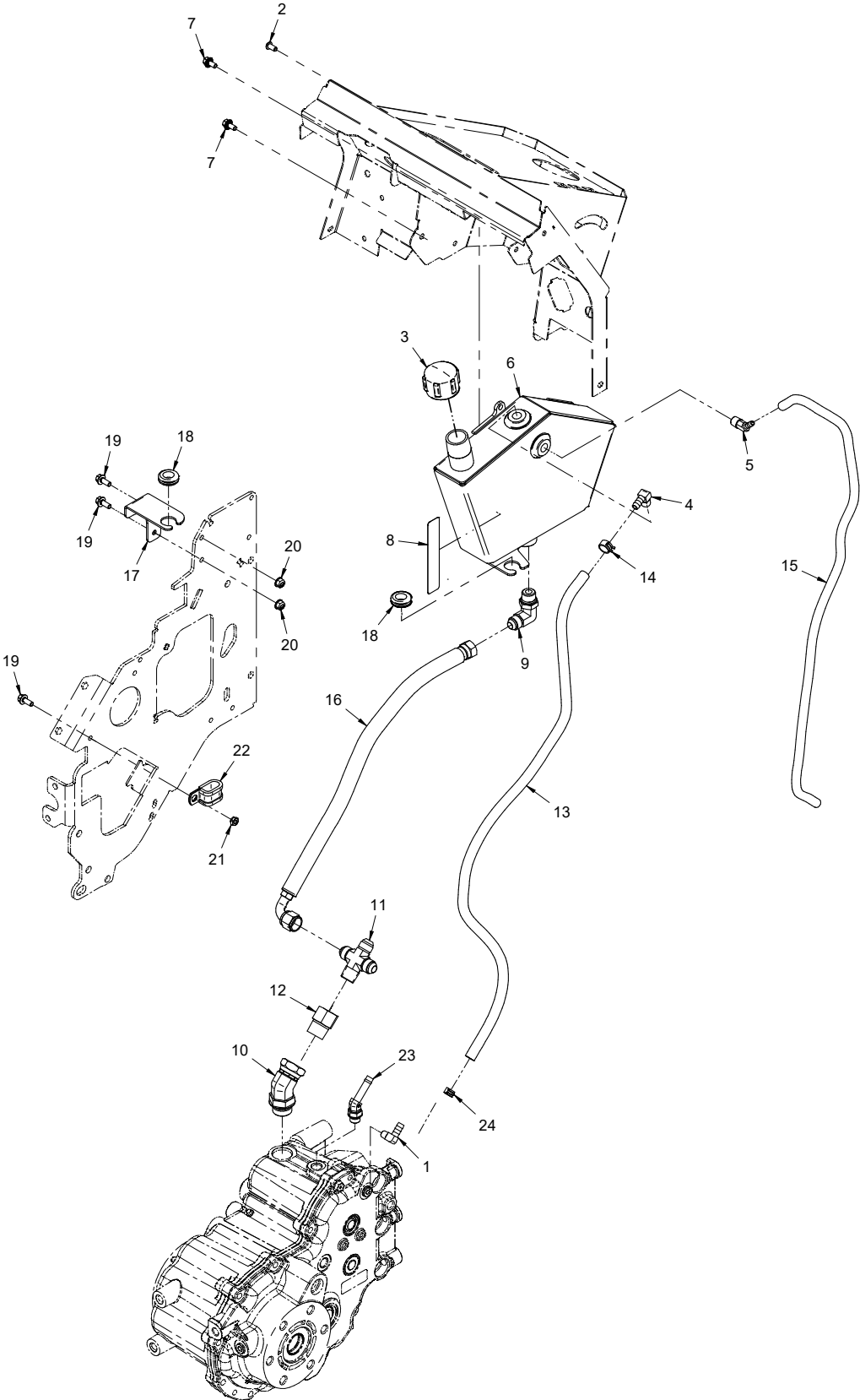
| Fitting End A | | O-Ring | | Fitting End B | | O-Ring | |
|------------------|-------------|---------------|------------|------------------|-------------|---------------|------------|
| SAE Fitting Size | Thread Size | AS568A Dash # | VPI Part # | SAE Fitting Size | Thread Size | AS568A Dash # | VPI Part # |
| -04 | 7/16-20 | 904 | 26.0035 | -04 | 9/16-18 | 011 | 26.0044 |
| -06 | 9/16-18 | 906 | 26.0036 | -06 | 11/16-16 | 012 | 26.0025 |
| -08 | 3/4-16 | 908 | 26.0037 | -08 | 13/16-16 | 014 | 26.0009 |
| -10 | 7/8-14 | 910 | 26.0038 | -10 | 1-14 | 016 | 26.0023 |
| -12 | 1-1/16-12 | 912 | 26.0039 | -12 | 1-3/16-12 | 018 | 26.0045 |
| -16 | 1-5/16-12 | 916 | 26.0043 | -16 | 1-7/16-12 | 021 | 26.0046 |

HYDRAULICS, AXLES, & WHEELS

Blank Page

HYDRAULICS, AXLES, & WHEELS

ILLUSTRATED DRAWING Hydraulic Oil Tank



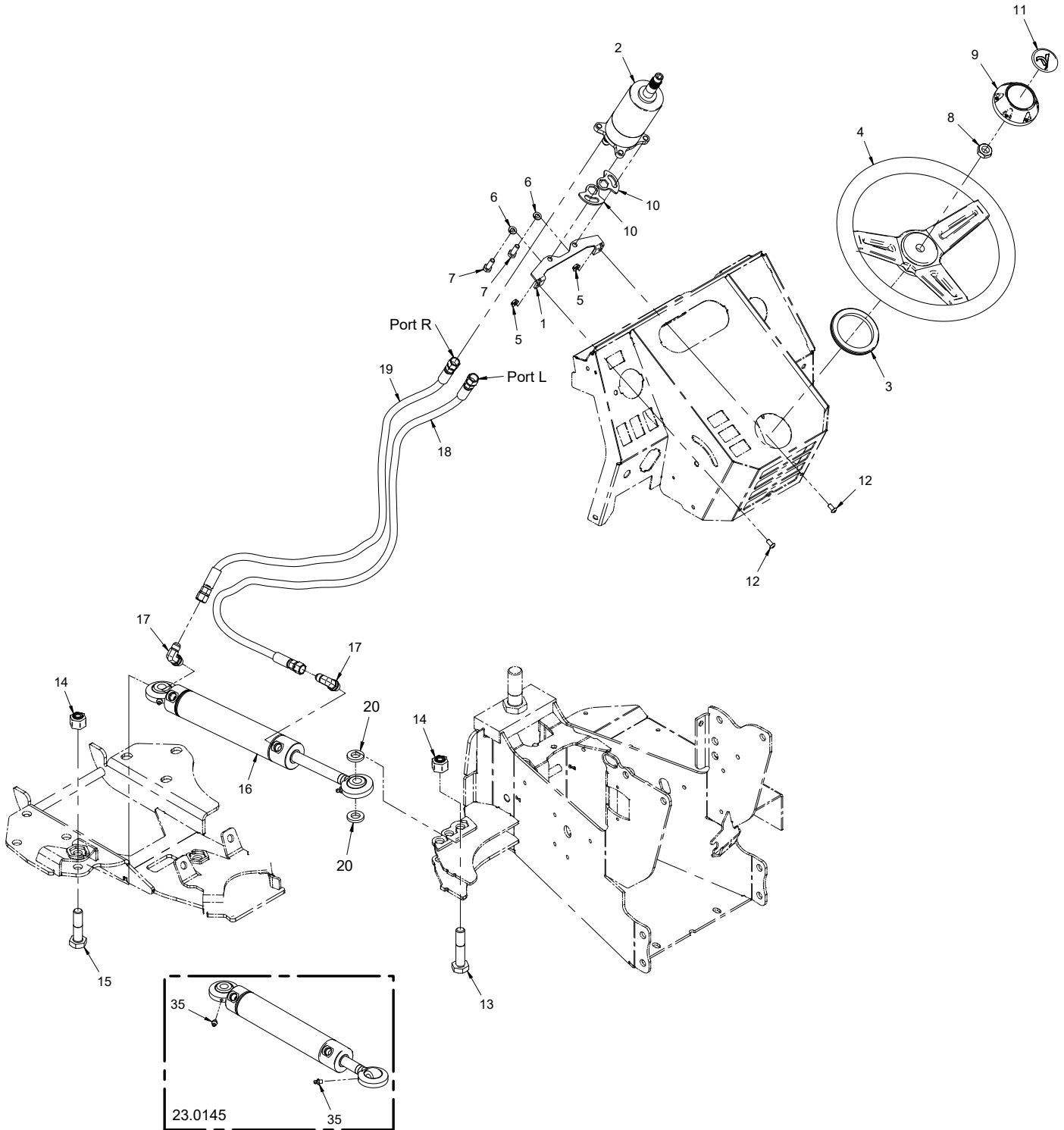
HYDRAULICS, AXLES, & WHEELS

Hydraulic Oil Tank

| REF. | PART NO. | DESCRIPTION | QTY. |
|------|---------------------|---|------|
| 1 | 29.BF06MP0290-1 | .FITTING, 3/8 BARB X 1/8 MP 90 (Serial # 01001-12728) | 1 |
| 2 | 99.0404 | .BOLT, 1/4-20 X 1/2 BSCS (Serial # 01001-15171) | 1 |
| 2 | 99.0403 | .BOLT, 1/4-20 X 3/8 BSCS (Serial # 15172-) | 1 |
| 3 | 47.0319 | .CAP, COOLANT RECOVERY TANK (Serial # 01001-15171) | 1 |
| 3 | 29.0126 | .FITTING, CAP 1" FP (Serial # 15172-) | 1 |
| 4 | 29.BF06MP0490 | .FITTING, 3/8 BARB X 1/4 MP 90 | 1 |
| 5 | 29.BF04MP0445 | .FITTING, 1/4 BARB X 1/4 MP 45 | 1 |
| 6 | 47.0315 | .TANK, OIL (Serial # 01001-15171) | 1 |
| 6 | KN-6051 | .TANK, STEEL HYDRAULIC (Serial # 15172-) | 1 |
| 7 | 99.SF0404 | .BOLT, SRF 1/4-20 X 1/2 (Serial # 01001-15171) | 2 |
| 7 | 99.SF0403 | .BOLT, SRF 1/4-20 X 3/8 (Serial # 15172-) | 2 |
| 8 | 00.0340 | .DECAL, HYDRAULIC OIL | 1 |
| 9 | 25.6801-08-08 | .FITTING, 90 ELBOW LONG 8MBX8MFF | 1 |
| 10 | 29.S4512 | .PIPE, STREET 45 ELBOW 3/4 (Serial # 01001-12728) | 1 |
| 10 | 25.6902-12-12 | .FITTING, 45 MFE 3/4 X 3/4 (Serial # 12729-) | 1 |
| 11 | 25.2651-08-08-08-08 | .FITTING, CROSS 08 | 1 |
| 12 | 25.5405-12-08 | .FITTING, REDUCER 3/4 X 1/2 | 1 |
| 13 | 27.T06-3-36IN | .TUBE, SILICON 3/8" ID X 36" (Serial # 01001-15171) | 1 |
| 13 | 27.T06-3-33.5IN | .TUBE, SILICON 3/8" ID X 33-1/2" (Serial # 15172-) | 1 |
| 14 | 11.0048 | .CLAMP, HOSE BAND 9/16" OD HOSE | 1 |
| 15 | 27.F04-30IN | .HOSE, FUEL LINE 1/4 X 30" | 1 |
| 16 | 22.0052 | .HOSE, 1/2X22.00 PLK 250PSI CPE | 1 |
| 17 | 64.1720 | .BRACKET, HOSE HOLDER (Serial # 01001-15171) | 1 |
| 18 | 05.0140 | .GROMMET, 5/8 ID, 1-1/8 OD, 3/8T | 1 |
| 19 | 99.SF0405-1 | .BOLT, SMF 1/4-20 X 5/8 (Serial # 01001-15171) | 3 |
| 19 | 99.SF0405-1 | .BOLT, SMF 1/4-20 X 5/8 (Serial # 15172-) | 1 |
| 20 | 99.E0101 | .NUT, LOCKING FLANGE 1/4-20 (Serial # 01001-15171) | 2 |
| 21 | 99.SF04 | .NUT, SRF 1/4-20 USS | 1 |
| 22 | 11.0046 | .CLAMP, CUSHIONED METAL 1/2" | 1 |
| 23 | 25.4603-06-06 | .FITTING, 45 ME 06 HB X 06 MAORB (Serial # 12729-) | 1 |
| 24 | 11.0049 | .CLAMP, HOSE BAND 1/2" OD HOSE | 1 |

HYDRAULICS, AXLES, & WHEELS

ILLUSTRATED DRAWING Hydraulic Steering System



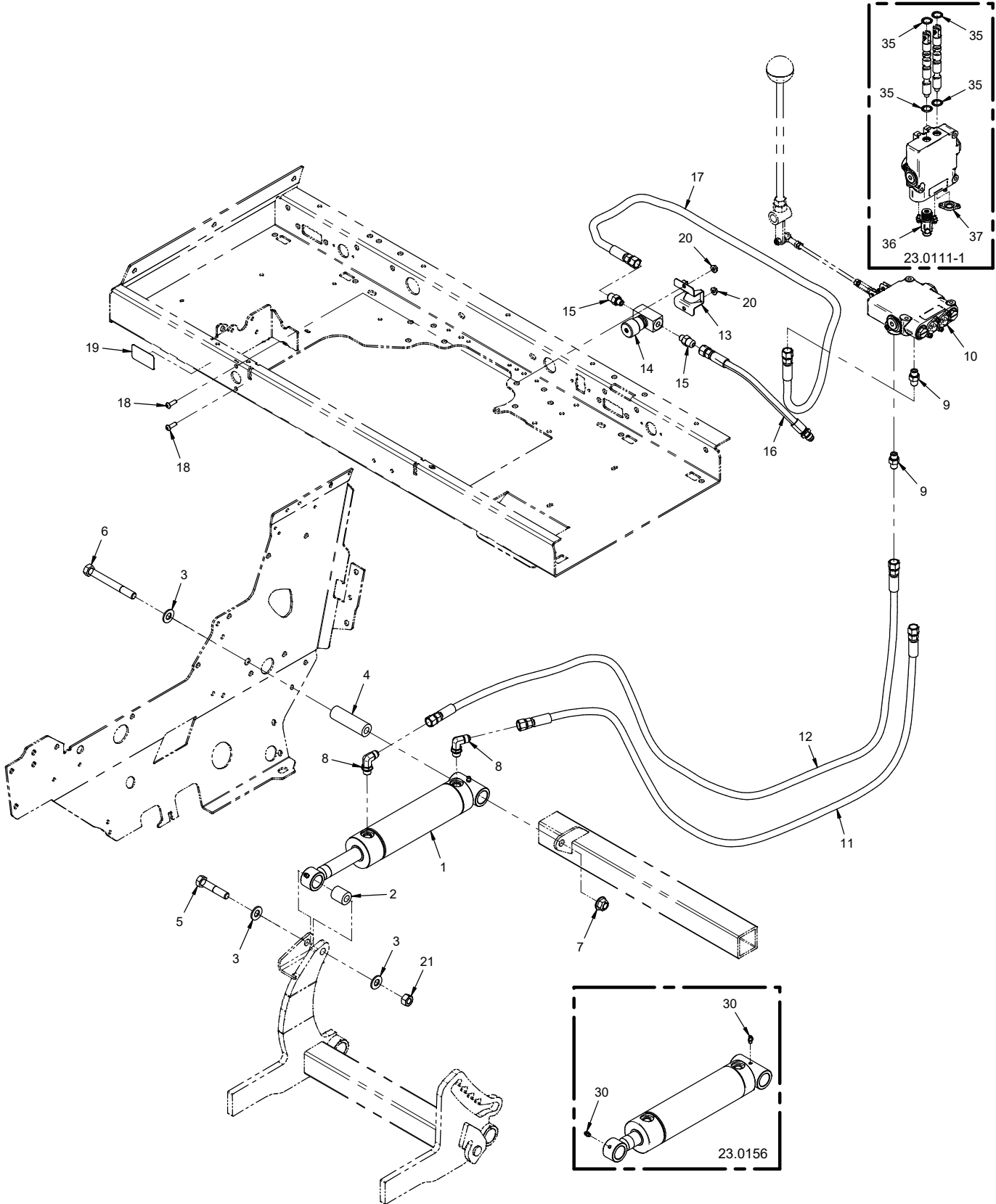
HYDRAULICS, AXLES, & WHEELS

Hydraulic Steering System

| REF. | PART NO. | DESCRIPTION | QTY. |
|------|---------------|-------------------------------------|------|
| 1 | 64.1624 | .BRACKET, STEERING VALVE MT | 1 |
| 2 | 23.0113 | .VALVE, STEERING-DANFOSS 100CC | 1 |
| | 89.0095 | .KIT, SEAL 23.0113 STEER VALVE | 1 |
| 3 | 05.0080 | .GROMMET, 2-3/4 ID, 3-5/8 OD, 5/16T | 1 |
| 4 | 47.0117 | .STEERING WHEEL, 16MM X 40T | 1 |
| 5 | 99.SF04 | .NUT, SRF 1/4-20 USS | 2 |
| 6 | 96.05 | .WASHER, LOCK 5/16 | 2 |
| 7 | 99.M0009 | .BOLT, M8 X 1.25 P X 25MM LONG | 2 |
| 8 | 99.E0011 | .NUT, JAM 5/8 SAE | 1 |
| 9 | 47.0118 | .CAP, STEERING WHEEL | 1 |
| 10 | 64.1623 | .PLATE, FITTING LOCK | 2 |
| 11 | 00.0207 | .DECAL, VENTRAC DOME | 1 |
| 12 | 99.0404 | .BOLT, 1/4-20 X 1/2 BSCS | 2 |
| 13 | 99.K0132 | .BOLT, 5/8-11 X 3 GRD A325 | 1 |
| 14 | 99.E0095 | .LOCKNUT, 5/8-11 HEAVY NYLON | 2 |
| 15 | 99.K0112 | .BOLT, 5/8-11 X 2-1/2 GRD A325 | 1 |
| 16 | 23.0145 | .CYLINDER, 1-3/4" X 8 STEERING | 1 |
| 17 | 25.6801-06-06 | .FITTING, 90 ME 3/8 X 3/8 | 2 |
| 18 | 20.0122 | .HOSE, 1/4X43.00 SAE 100R17AR | 1 |
| 19 | 20.0136 | .HOSE, 1/4X36.00 SAE 100R17AR | 1 |
| 20 | 64.1725 | .SPACER, STEERING CYLINDER | 2 |
| 35 | 29.GF0001 | .GREASE FTG, 1/4 SAE ST | 2 |

HYDRAULICS, AXLES, & WHEELS

ILLUSTRATED DRAWING Front Hitch Hydraulic Lift & Hitch Lock Valve



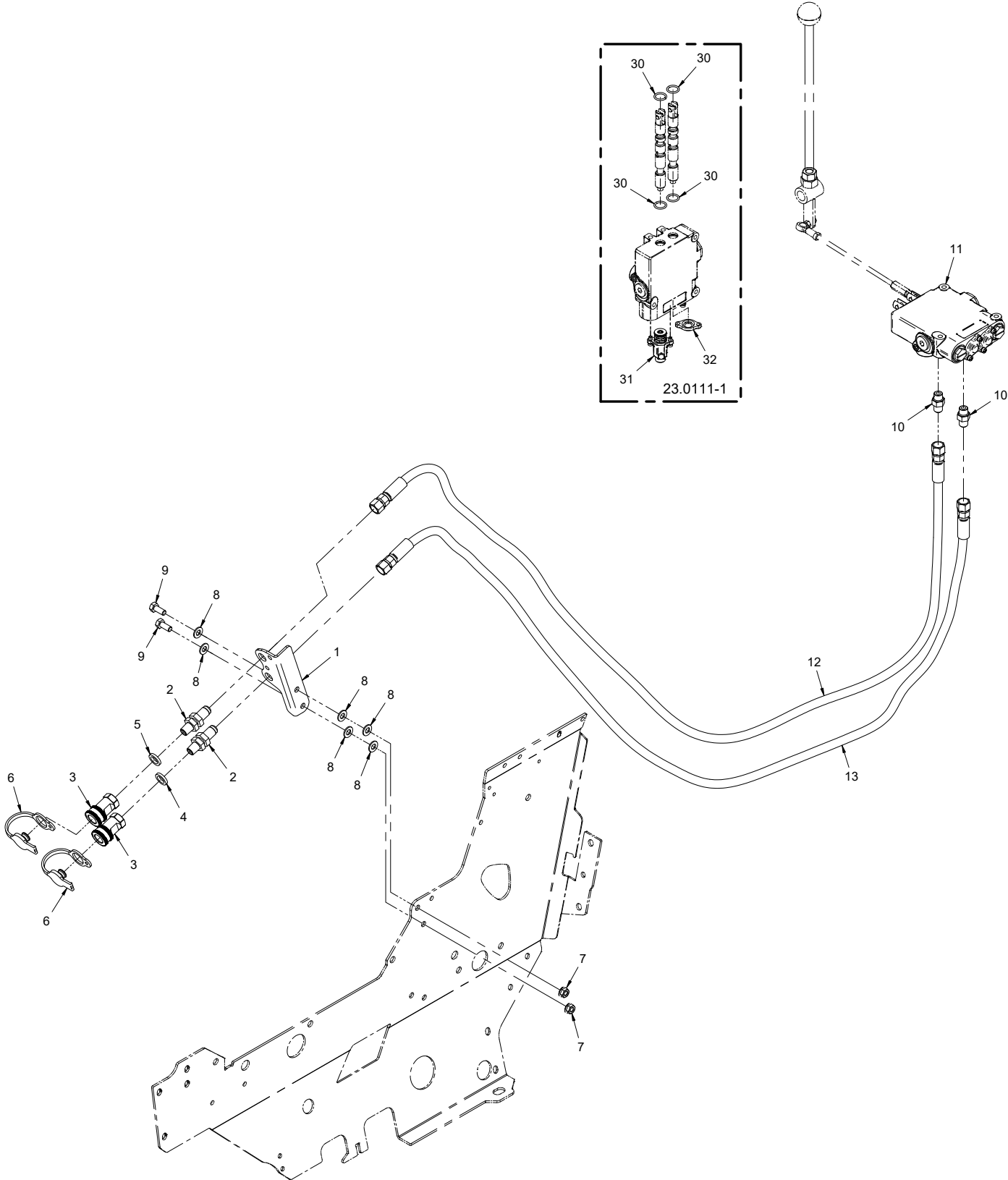
HYDRAULICS, AXLES, & WHEELS

Front Hitch Hydraulic Lift & Hitch Lock Valve

| REF. | PART NO. | DESCRIPTION | QTY. |
|------|---------------|----------------------------------|------|
| 1 | 23.0156 | .CYLINDER, 2-1/4" X 7" LIFT | 1 |
| 2 | 64.1712 | .BUSHING, STEEL .516 X 1.000 | 1 |
| 3 | 95.08 | .WASHER, FLAT 1/2 SAE | 3 |
| 4 | 64.1631 | .BUSHING, LIFT CYLINDER REAR | 1 |
| 5 | 90.0820 | .BOLT, 1/2-13 USS X 2-1/2 | 1 |
| 6 | 90.0836 | .BOLT, 1/2-13 USS X 4-1/2 | 1 |
| 7 | 99.E0103 | .NUT, LOCKING FLANGE 1/2-13 | 1 |
| 8 | 25.6801-06-06 | .FITTING, 90 ME 3/8 X 3/8 | 2 |
| 9 | 25.6400-06-06 | .FITTING, M CONN 3/8 X 3/8 | 2 |
| 10 | 23.0111-1 | .VALVE, HY 2 SPL W/LH FLT, RH SP | 1 |
| 11 | 20.0302 | .HOSE, 1/4X48.00 SAE 100R17 AR | 1 |
| 12 | 20.0303 | .HOSE, 1/4X58.00 SAE 100R17 AR | 1 |
| 13 | 64.1719 | .BRACKET, NEEDLE VALVE | 1 |
| 14 | 23.0161 | .VALVE, NEEDLE | 1 |
| 15 | 25.6400-06-04 | .FITTING, M CONN 3/8 X 1/4 | 2 |
| 16 | 20.0311 | .HOSE, 1/4X8.00 SAE 100R17AR | 1 |
| 17 | 20.0302 | .HOSE, 1/4X48.00 SAE 100R17 AR | 1 |
| 18 | 99.0406 | .BOLT, 1/4-20 X 3/4 BSCS | 2 |
| 19 | 00.0329 | .DECAL, FRONT HITCH VALVE | 1 |
| 20 | 99.SF04 | .NUT, SRF 1/4-20 USS | 2 |
| 21 | 99.A08C | .LOCKNUT, CENTER 1/2-13 | 1 |
| 30 | 29.GF0001 | .GREASE FTG, 1/4 SAE ST | 2 |
| 35 | 26.0027 | .O-RING, 5/8ID X 13/16OD X 3/32 | 4 |
| 36 | 23.0111-7 | .KIT, SPOOL FLOAT HYD. VALVE | 1 |
| 37 | 23.0111-8 | .CAP, VALVE | 1 |

HYDRAULICS, AXLES, & WHEELS

ILLUSTRATED DRAWING Auxiliary Hydraulic Quick Couplers



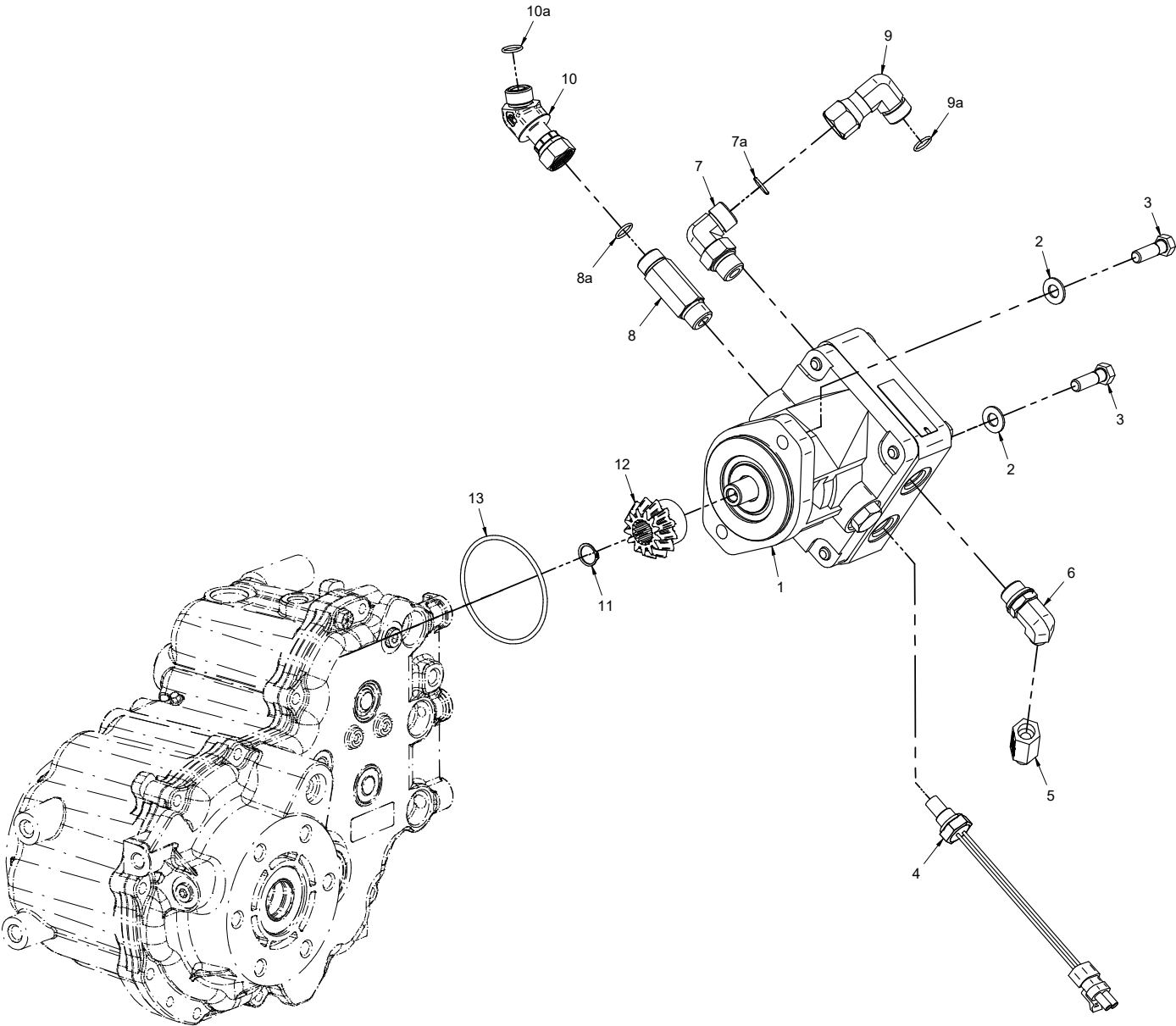
HYDRAULICS, AXLES, & WHEELS

Auxiliary Hydraulic Quick Couplers

| REF. | PART NO. | DESCRIPTION | QTY. |
|------|-----------------|--|------|
| 1 | 64.1608 | .BRACKET, HYD COUPLER 2 POS. | 1 |
| 2 | 25.2706-04-06LN | .FITTING, BULKHEAD W/ LOCKNUT | 2 |
| 3 | 23.0106 | .COUPLER, HYDRAULIC QUICK - 1/4 FEMALE | 2 |
| 4 | 05.0116 | .WASHER, .544 ID X .817 X .14 RED | 1 |
| 5 | 05.0117 | .WASHER, .544 ID X .817 X .14 YEL | 1 |
| 6 | 23.0126 | .PLUG, DUST FOR 23.0106 | 2 |
| 7 | 99.SF05 | .NUT, SRF 5/16-18 USS. | 2 |
| 8 | 95.05 | .WASHER, FLAT 5/16 SAE | 6 |
| 9 | 90.0506 | .BOLT, 5/16-18 USS X 3/4" | 2 |
| 10 | 25.6400-06-06 | .FITTING, M CONN 3/8 X 3/8 | 2 |
| 11 | 23.0111-1 | .VALVE, HY 2 SPL W/LH FLT, RH SP. | 1 |
| 12 | 20.0303 | .HOSE, 1/4X58.00 SAE 100R17 AR | 1 |
| 13 | 20.0303 | .HOSE, 1/4X58.00 SAE 100R17 AR | 1 |
| 30 | 26.0027 | .O-RING, 5/8ID X 13/16OD X 3/32 | 4 |
| 31 | 23.0111-7 | .KIT, SPOOL FLOAT HYD. VALVE | 1 |
| 32 | 23.0111-8 | .CAP, VALVE. | 1 |

HYDRAULICS, AXLES, & WHEELS

ILLUSTRATED DRAWING Front Hydraulic Motor Mount & Fittings



HYDRAULICS, AXLES, & WHEELS

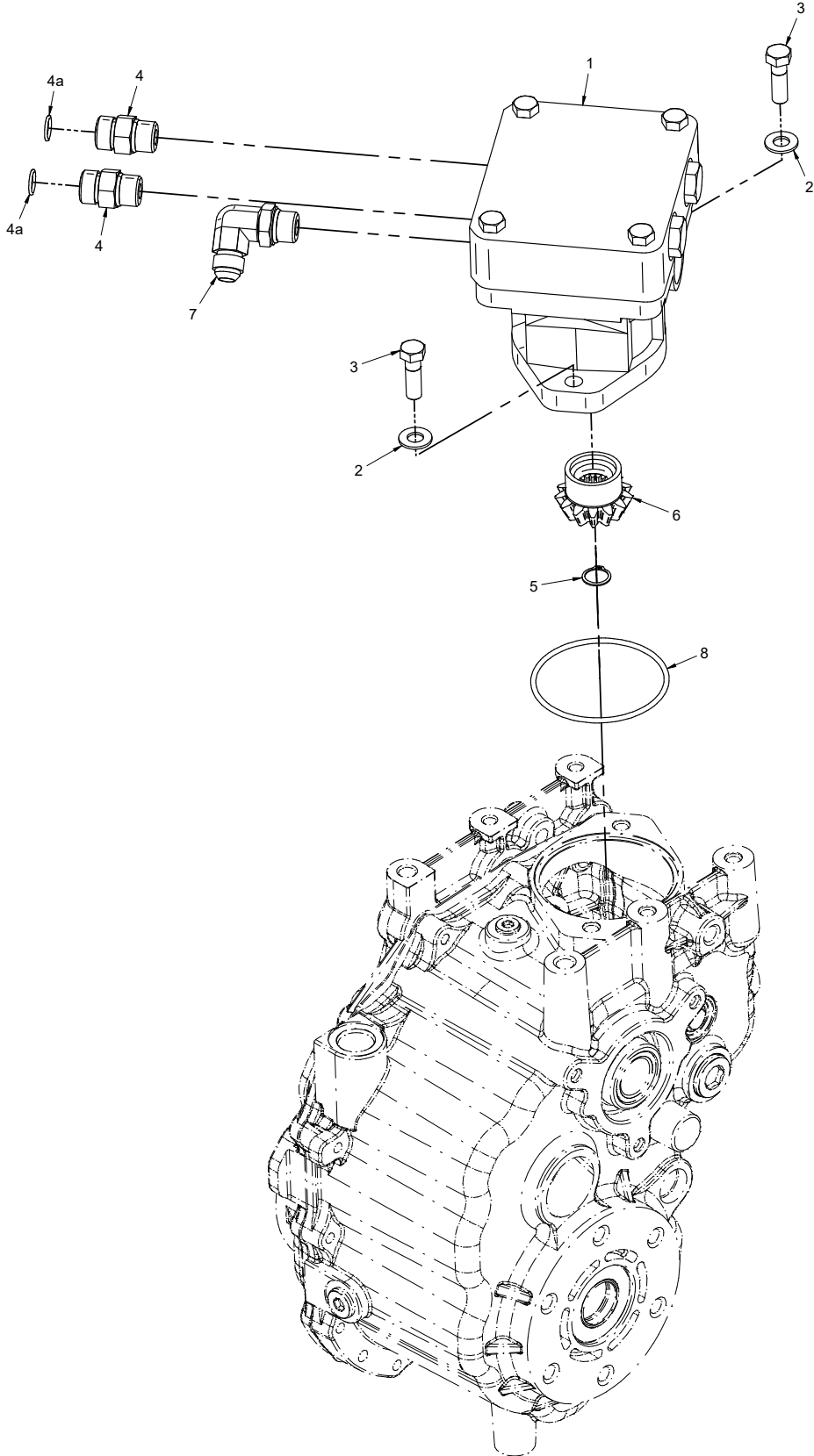
Front Hydraulic Motor Mount & Fittings

| REF. | PART NO. | DESCRIPTION | QTY. |
|------|---------------------|--|------|
| 1 | 21.0081* | .MOTOR, HYD. SUNDSTRAND | 1 |
| 2 | 95.06 | .WASHER, FLAT 3/8 SAE | 2 |
| 3 | 90.0610 | .BOLT, 3/8-16 USS X 1-1/4 | 2 |
| 4 | 13.0254 | .SWITCH, TEMP -08 SAE ORB | 1 |
| 5 | 23.0159 | .VALVE, CHECK VONBERG | 1 |
| 6 | 25.6801-06-08 | .FITTING, 90 ME 3/8 X 1/2 | 1 |
| 7 | 25.FF6801-08-08-V | .FITTING, 90 ELBOW 8MB X 8MFF | 1 |
| 7a | 26.0009 | .O-RING, -014 FOR MORF-08 VITON | 1 |
| 8 | 25.FF6400-L-08-08-V | .FITTING, CONNECTOR 8MFF X 8MB | 1 |
| 8a | 26.0009 | .O-RING, -014 FOR MORF-08 VITON | 1 |
| 9 | 25.FF6500-08-08-V | .FITTING, 90 ELBOW 8MFF X 8FSX | 1 |
| 9a | 26.0009 | .O-RING, -014 FOR MORF-08 VITON | 1 |
| 10 | 25.FF6502-08-08-V | .FITTING, 45 ELBOW 8MFF X 8FFS | 1 |
| 10a | 26.0009 | .O-RING, -014 FOR MORF-08 VITON | 1 |
| 11 | 04.0015 | .SNAP RING, EXT .039 X .588 | 1 |
| 12 | 87.0165 | .GEAR, PINION MOTOR TO AXLE | 1 |
| 13 | 26.0024 | .O-RING, 3-1/8 X 3-3/8 X 1/8 (Serial # 12729-) | 1 |

*When replacing the front motor, the shaft seal MUST be removed.

HYDRAULICS, AXLES, & WHEELS

ILLUSTRATED DRAWING Rear Hydraulic Motor Mount & Fittings



HYDRAULICS, AXLES, & WHEELS

Rear Hydraulic Motor Mount & Fittings

| REF. | PART NO. | DESCRIPTION | QTY. |
|------|-------------------|--|------|
| 1 | 21.0081* | .MOTOR, HYD. SUNDSTRAND | 1 |
| 2 | 95.06 | .WASHER, FLAT 3/8 SAE | 2 |
| 3 | 90.0610 | .BOLT, 3/8-16 USS X 1-1/4. | 2 |
| 4 | 25.FF6400-08-08-V | .FITTING, CONNECTOR 8MFF X 8MB | 2 |
| 4a | 26.0009 | .O-RING, -014 FOR MORF-08 VITON | 1 |
| 5 | 04.0015 | .SNAP RING, EXT .039 X .588 | 1 |
| 6 | 87.0165 | .GEAR, PINION MOTOR TO AXLE | 1 |
| 7 | 25.6801-08-08 | .FITTING, 90 ELBOW LONG 8MBX8MFF | 1 |
| 8 | 26.0024 | .O-RING, 3-1/8 X 3-3/8 X 1/8 (Serial # 12729-) | 1 |

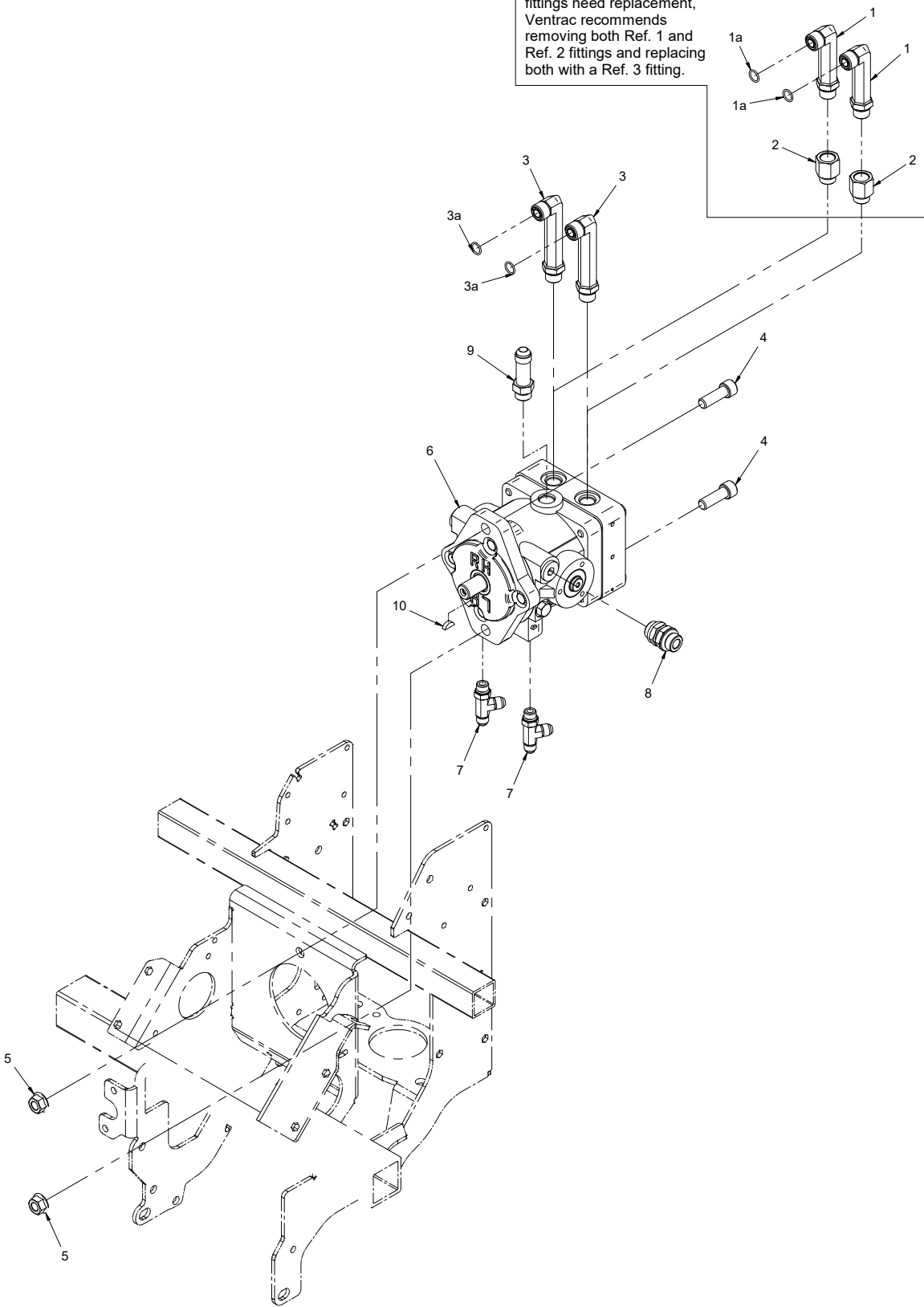
*When replacing the rear motor, the shaft seal MUST NOT be removed.

HYDRAULICS, AXLES, & WHEELS

ILLUSTRATED DRAWING Hydraulic Pump Mount & Fittings

If either Ref. 1 or Ref. 2 fittings need replacement, Ventrac recommends removing both Ref. 1 and Ref. 2 fittings and replacing both with a Ref. 3 fitting.

Serial # 01001-01250



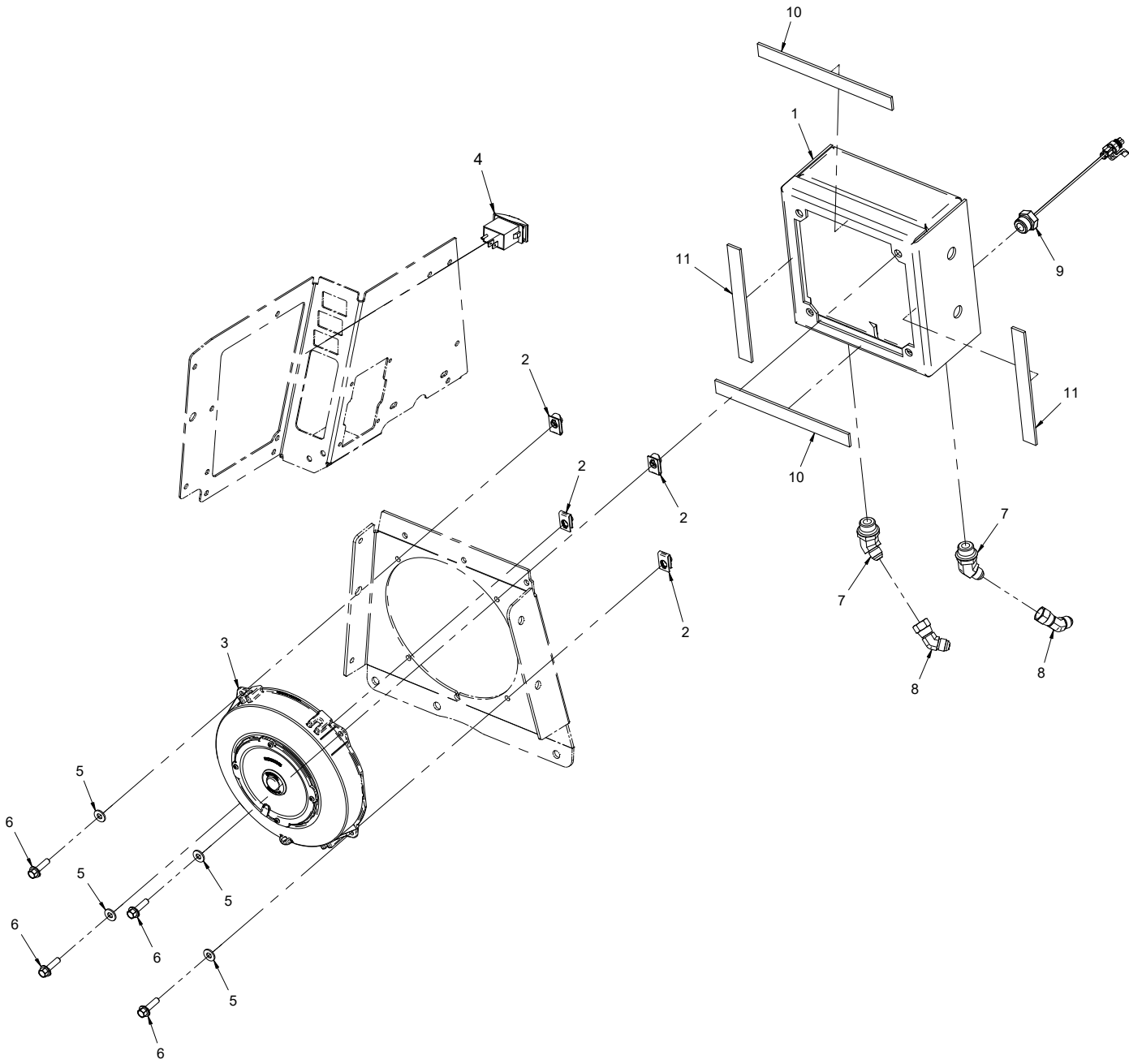
HYDRAULICS, AXLES, & WHEELS

Hydraulic Pump Mount & Fittings

| REF. | PART NO. | DESCRIPTION | QTY. |
|------|-------------------------|---|------|
| 1 | 25.FF6801-LL-08-08-V | .FITTING, 90 LBOW XLONG 8MBX8MFF (Serial # 01001-01250) | 2 |
| 1a | 26.0009 | .O-RING, -014 FOR MORF-08 VITON | 1 |
| 2 | 25.6410-08-08 | .FITTING, REDUCER 08MB X 08FB (Serial # 01001-01250) | 2 |
| 3 | 25.FF6801-4.415-08-08-V | .FITTING, 90 LBOW XLNG 8MBX8MFF (Serial # 01251-) | 2 |
| 3a | 26.0009 | .O-RING, -014 FOR MORF-08 VITON | 1 |
| 4 | 99.K0039 | .BOLT, SHCS 1/2 X 1 1/2 | 2 |
| 5 | 99.SF08 | .NUT, SRF 1/2-13 USS | 2 |
| 6 | 21.0080 | .PUMP, HYDRAULIC | 1 |
| 7 | 25.6804-6-6-6 | .FITTING, M TEE 3/8X3/8X3/8 | 2 |
| 8 | 25.6407-10-10 | .FITTING, M. ADAPTER -10 X -10 | 1 |
| 9 | 25.6400-L-08-08 | .FITTING, CONNECTOR 8MJ X 8MB | 1 |
| 10 | 85.W0305 | .KEY, WOODRUFF 3/16" X 5/8" | 1 |

HYDRAULICS, AXLES, & WHEELS

ILLUSTRATED DRAWING Hydraulic Oil Cooler & Fan



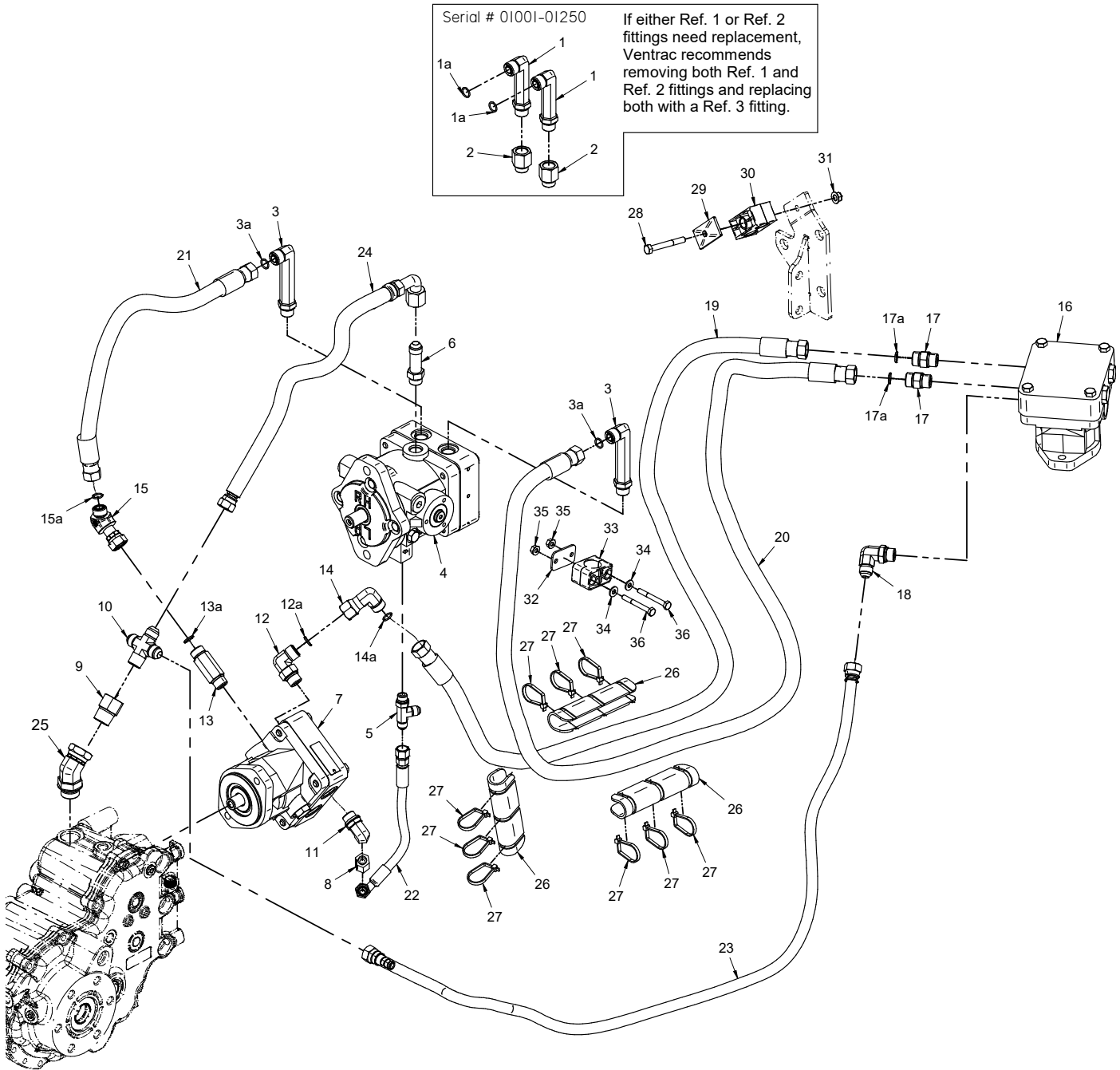
HYDRAULICS, AXLES, & WHEELS

Hydraulic Oil Cooler & Fan

| REF. | PART NO. | DESCRIPTION | QTY. |
|------|----------------|-----------------------------------|------|
| 1 | 21.0121 | .COOLER, HYDRAULIC | 1 |
| 2 | 99.E0046 | .NUT, "U" 1/4-20 EXTRUDED | 4 |
| 3 | 37.0057 | .FAN, ELECTRIC 7.5" | 1 |
| 4 | 31.0053 | .SWITCH, ROCKER ON/OFF | 1 |
| 5 | 95.04 | .WASHER, FLAT 1/4 SAE | 4 |
| 6 | 99.SF0408 | .BOLT, SRF 1/4 X 1 USS | 4 |
| 7 | 25.6802-06-08 | .FITTING, 45 ME 3/8 X 1/2 | 2 |
| 8 | 25.6502-06-06 | .FITTING, 45 MFE 3/8 X 3/8 | 2 |
| 9 | 13.0239 | .SWITCH, TEMPERATURE 170F | 1 |
| 10 | 06.0045-8IN | .WEATHERSTRIP, 1/8 X 3/4 X 8" | 2 |
| 11 | 06.0045-6.75IN | .WEATHERSTRIP, 1/8 X 3/4 X 6-3/4" | 2 |

HYDRAULICS, AXLES, & WHEELS

ILLUSTRATED DRAWING Hydraulic Drive Circuit Hoses



HYDRAULICS, AXLES, & WHEELS

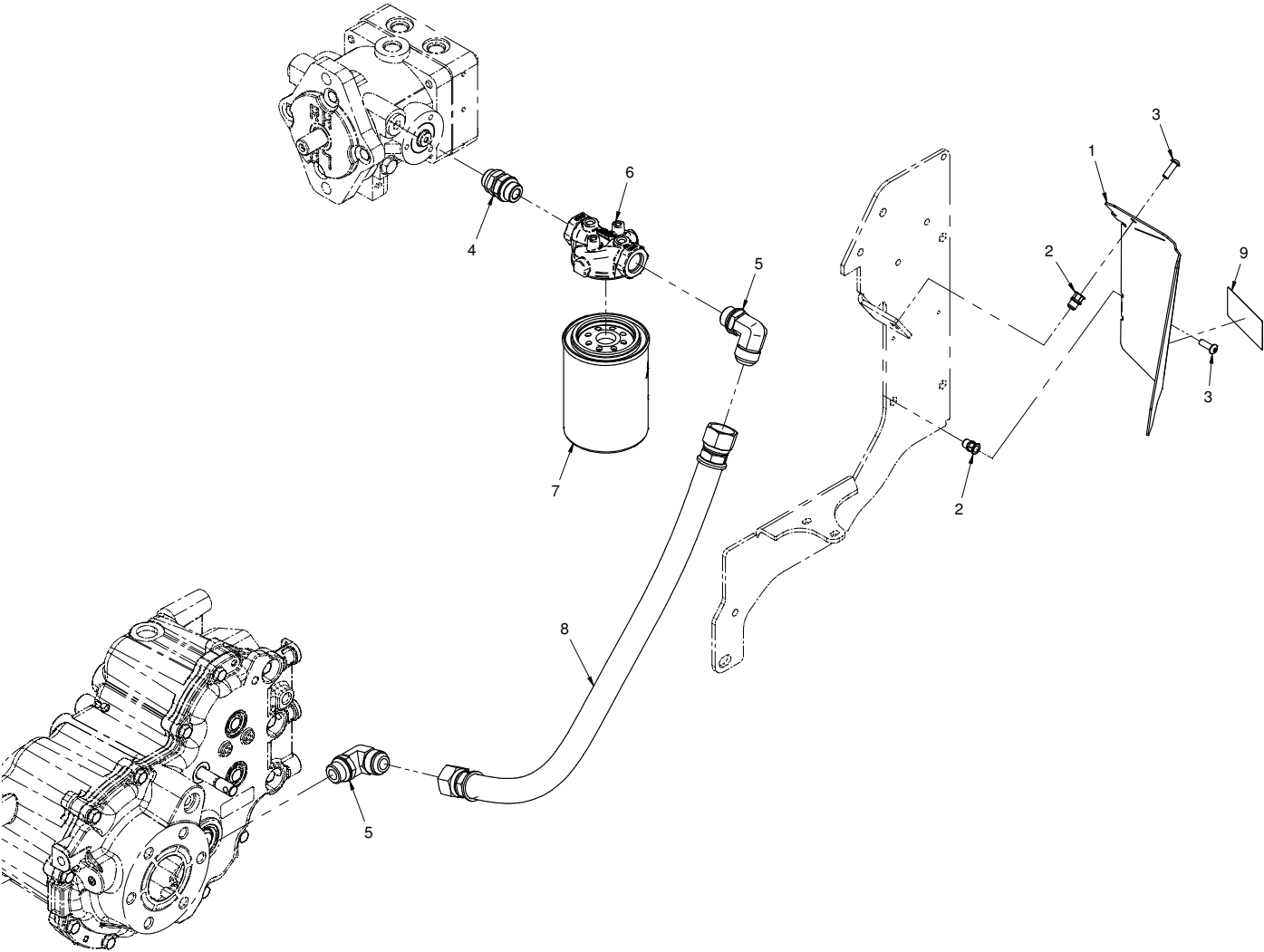
Hydraulic Drive Circuit Hoses

| REF. | PART NO. | DESCRIPTION | QTY. |
|------|-------------------------|---|------|
| 1 | 25.FF6801-LL-08-08-V | .FITTING, 90 LBOW XLONG 8MBX8MFF (Serial # 01001-01250) | 2 |
| 1a | 26.0009 | .O-RING, -014 FOR MORF-08 VITON | 1 |
| 2 | 25.6410-08-08 | .FITTING, REDUCER 08MB X 08FB (Serial # 01001-01250) | 2 |
| 3 | 25.FF6801-4.415-08-08-V | .FITTING, 90 LBOW XLNG 8MBX8MFF (Serial # 01251-) | 2 |
| 3a | 26.0009 | .O-RING, -014 FOR MORF-08 VITON | 1 |
| 4 | 21.0080 | .PUMP, HYDRAULIC | 1 |
| 5 | 25.6804-6-6-6 | .FITTING, M TEE 3/8X3/8X3/8 | 1 |
| 6 | 25.6400-L-08-08 | .FITTING, CONNECTOR 8MJ X 8MB | 1 |
| 7 | 21.0081* | .MOTOR, HYD. SUNDSTRAND | 1 |
| 8 | 23.0159 | .VALVE, CHECK VONBERG | 1 |
| 9 | 25.5405-12-08 | .FITTING, REDUCER 3/4 X 1/2 | 1 |
| 10 | 25.2651-08-08-08-08 | .FITTING, CROSS 08 | 1 |
| 11 | 25.6801-06-08 | .FITTING, 90 ME 3/8 X 1/2 | 1 |
| 12 | 25.FF6801-08-08-V | .FITTING, 90 ELBOW 8MB X 8MFF | 1 |
| 12a | 26.0009 | .O-RING, -014 FOR MORF-08 VITON | 1 |
| 13 | 25.FF6400-L-08-08-V | .FITTING, CONNECTOR 8MFF X 8MB | 1 |
| 13a | 26.0009 | .O-RING, -014 FOR MORF-08 VITON | 1 |
| 14 | 25.FF6500-08-08-V | .FITTING, 90 ELBOW 8MFF X 8FSX | 1 |
| 14a | 26.0009 | .O-RING, -014 FOR MORF-08 VITON | 1 |
| 15 | 25.FF6502-08-08-V | .FITTING, 45 ELBOW 8MFF X 8FFS | 1 |
| 15a | 26.0009 | .O-RING, -014 FOR MORF-08 VITON | 1 |
| 16 | 21.0081* | .MOTOR, HYD. SUNDSTRAND | 1 |
| 17 | 25.FF6400-08-08-V | .FITTING, CONNECTOR 8MFF X 8MB | 2 |
| 17a | 26.0009 | .O-RING, -014 FOR MORF-08 VITON | 1 |
| 18 | 25.6801-08-08 | .FITTING, 90 ELBOW LONG 8MBX8MFF | 1 |
| 19 | 20.0295 | .HOSE, 1/2X55.00 SS BRAID PTFE | 1 |
| 20 | 20.0296 | .HOSE, 1/2X74.50 SS BRAID PTFE | 1 |
| 21 | 20.0297 | .HOSE, 1/2X18.38 SS BRAID PTFE | 1 |
| 22 | 20.0304 | .HOSE 1/4X20.50 SAE 100R17 AR | 1 |
| 23 | 22.0058 | .HOSE, 3/8X54.00 PLK 250PSI CPE | 1 |
| 24 | 22.0059 | .HOSE, 1/2X17.00 PLK 250PSI CPE | 1 |
| 25 | 29.S4512 | .PIPE, STREET 45 ELBOW 3/4 (Serial # 01001-12728) | 1 |
| 25 | 25.6902-12-12 | .FITTING, 45 MFE 3/4 X 3/4 (Serial # 12729-) | 1 |
| 26 | 44.0224 | .SLEEVE, HOSE PROTECTOR 6" | 3 |
| 27 | 30.0204 | .TYTON TIE, #50 .190 X 12" | 9 |
| 28 | 90.0520 | .BOLT, 5/16-18 USS X 2-1/2" | 1 |
| 29 | 44.0249 | .COVER PLATE, 3D GROUP | 1 |
| 30 | 44.0248 | .CLAMP, HYD HOSE 21.3MM ID BLACK | 1 |
| 31 | 99.E0102 | .NUT, LOCKING FLANGE 5/16-18 | 1 |
| 32 | 44.0321 | .COVER PLATE, GROUP 3 (1) | 1 |
| 33 | 44.0320 | .CLAMP, HYD HOSE 25.4MM ID | 1 |
| 34 | 95.04 | .WASHER, FLAT 1/4 SAE | 2 |
| 35 | 99.E0101 | .NUT, LOCKING FLANGE 1/4-20 | 2 |
| 36 | 90.0418 | .BOLT, 1/4-20 USS X 2-1/4" | 2 |

*When replacing the front motor, the shaft seal MUST be removed.
When replacing the rear motor, the shaft seal MUST NOT be removed.

HYDRAULICS, AXLES, & WHEELS

ILLUSTRATED DRAWING Pump Supply Line & Main Hydraulic Filter



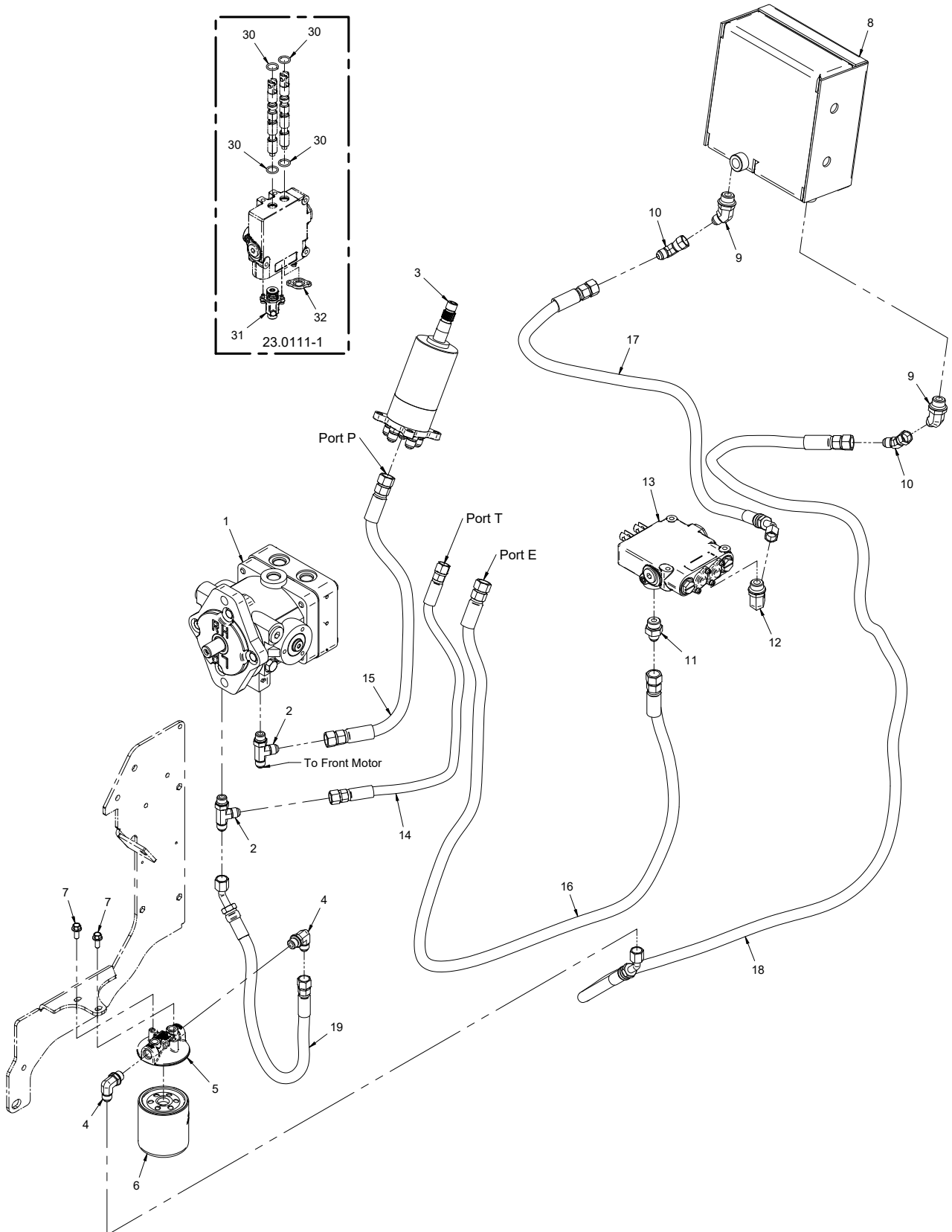
HYDRAULICS, AXLES, & WHEELS

Pump Supply Line & Main Hydraulic Filter

| REF. | PART NO. | DESCRIPTION | QTY. |
|------|---------------|-----------------------------------|------|
| 1 | 60.1154 | .COVER, HYD FILTER ACCESS | 1 |
| 2 | 99.E0105 | .NUT, INSERT 1/4-20 HEX | 2 |
| 3 | 99.0406 | .BOLT, 1/4-20 X 3/4 BSCS | 2 |
| 4 | 25.6407-10-10 | .FITTING, M. ADAPTER -10 X -10 | 1 |
| 5 | 25.6801-12-10 | .FITTING, 90 ME 3/4 X 5/8 | 2 |
| 6 | 21.0119 | .FILTER, HEAD -10 ORB PORTS | 1 |
| 7 | 21.0122 | .FILTER, HYD. 25 MICRON SYN | 1 |
| 8 | 22.0050 | .HOSE, 3/4X22.00 PLK 250PSI CPE | 1 |
| 9 | 00.0518 | .DECAL, HYDRAULIC FILTER LOCATION | 1 |

HYDRAULICS, AXLES, & WHEELS

ILLUSTRATED DRAWING Hydraulic Implement Circuit Supply & Return



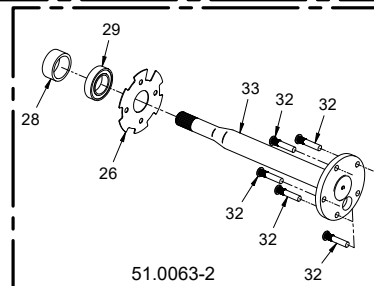
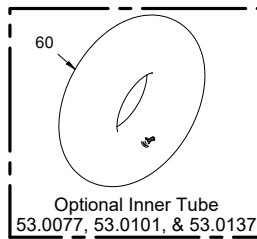
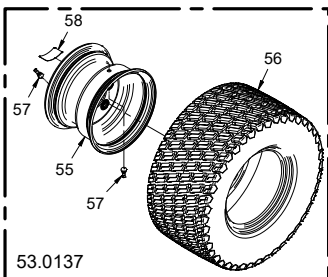
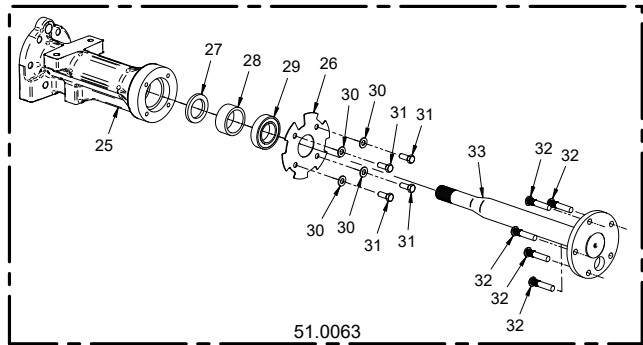
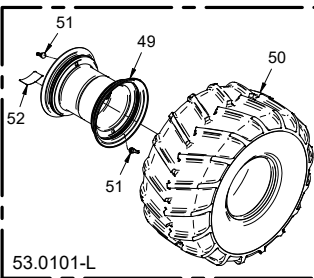
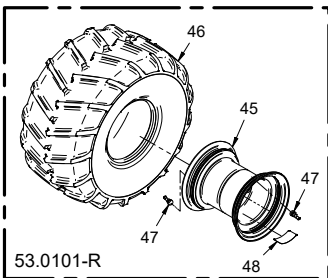
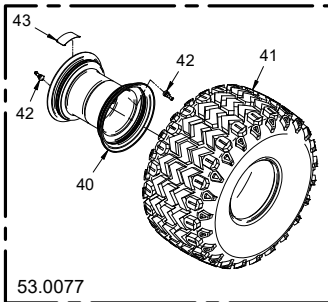
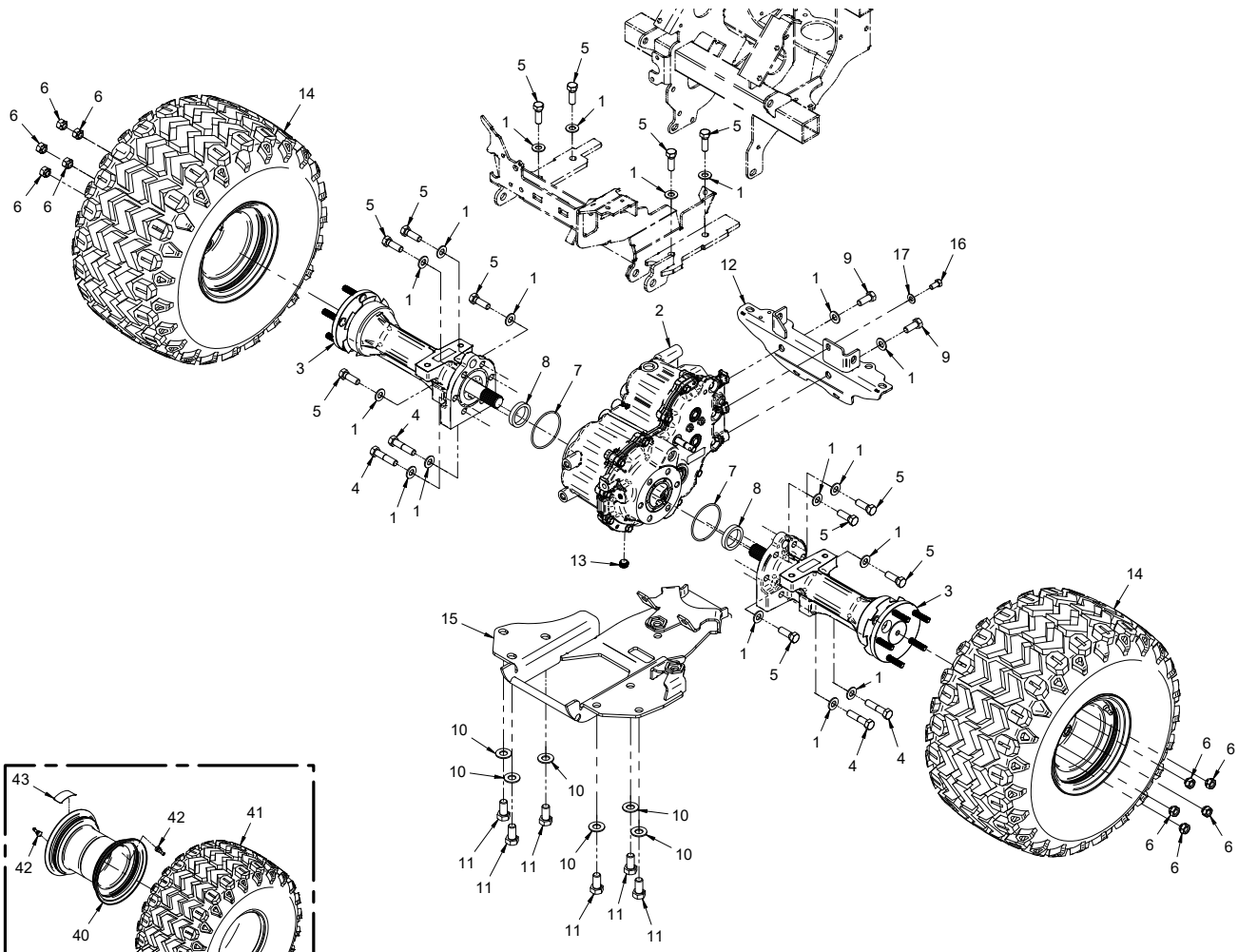
HYDRAULICS, AXLES, & WHEELS

Hydraulic Implement Circuit Supply & Return

| REF. | PART NO. | DESCRIPTION | QTY. |
|------|---------------|-----------------------------------|------|
| 1 | 21.0080 | .PUMP, HYDRAULIC | 1 |
| 2 | 25.6804-6-6-6 | .FITTING, M TEE 3/8X3/8X3/8 | 2 |
| 3 | 23.0113 | .VALVE, STEERING-DANFOSS 100CC. | 1 |
| | 89.0095 | .KIT, SEAL 23.0113 STEER VALVE | 1 |
| 4 | 25.6801-06-06 | .FITTING, 90 ME 3/8 X 3/8. | 2 |
| 5 | 21.0123 | .FILTER, HEAD 06 ORB | 1 |
| 6 | 21.0124 | .FILTER, HYD. 10 MICRON CEL. | 1 |
| 7 | 99.SF0405-1 | .BOLT, SMF 1/4-20 X 5/8 | 2 |
| 8 | 21.0121 | .COOLER, HYDRAULIC | 1 |
| 9 | 25.6802-06-08 | .FITTING, 45 ME 3/8 X 1/2. | 2 |
| 10 | 25.6502-06-06 | .FITTING, 45 MFE 3/8 X 3/8 | 2 |
| 11 | 25.6400-06-08 | .FITTING, M CONN 3/8 X 1/2 | 1 |
| 12 | 25.6801-06-08 | .FITTING, 90 ME 3/8 X 1/2. | 1 |
| 13 | 23.0111-1 | .VALVE, HY 2 SPL W/LH FLT, RH SP. | 1 |
| 14 | 20.0123 | .HOSE, 1/4X19.50 SAE 100R17AR. | 1 |
| 15 | 20.0155 | .HOSE, 3/8X19.00 SAE 100R17AR. | 1 |
| 16 | 20.0298 | .HOSE, 3/8X56.00 SAE 100R17 AR | 1 |
| 17 | 20.0299 | .HOSE, 3/8X32.00 SAE 100R17 AR | 1 |
| 18 | 20.0300 | .HOSE, 3/8X69.00 SAE 100R17 AR | 1 |
| 19 | 20.0301 | .HOSE, 3/8X20.00 SAE 100R17 AR | 1 |
| 30 | 26.0027 | .O-RING, 5/8ID X 13/16OD X 3/32 | 4 |
| 31 | 23.0111-7 | .KIT, SPOOL FLOAT HYD. VALVE | 1 |
| 32 | 23.0111-8 | .CAP, VALVE. | 1 |

HYDRAULICS, AXLES, & WHEELS

ILLUSTRATED DRAWING Front Transaxle & Wheels



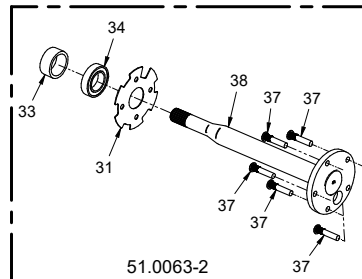
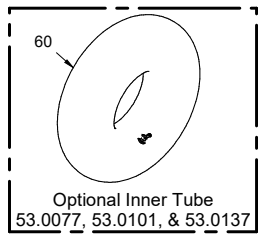
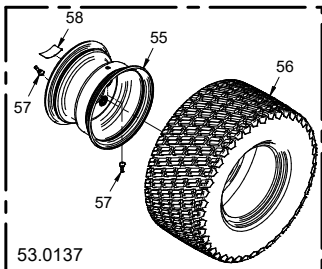
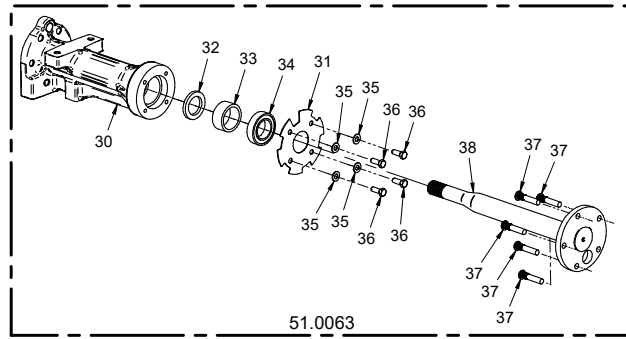
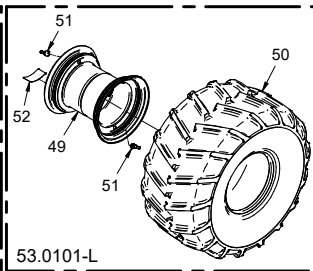
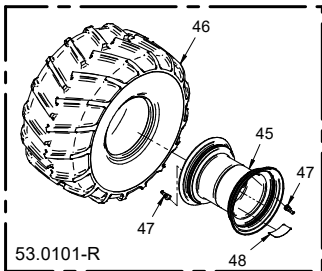
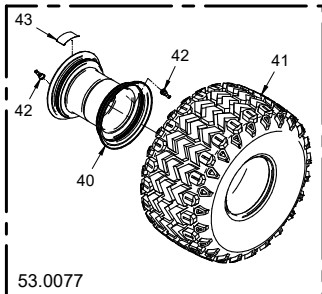
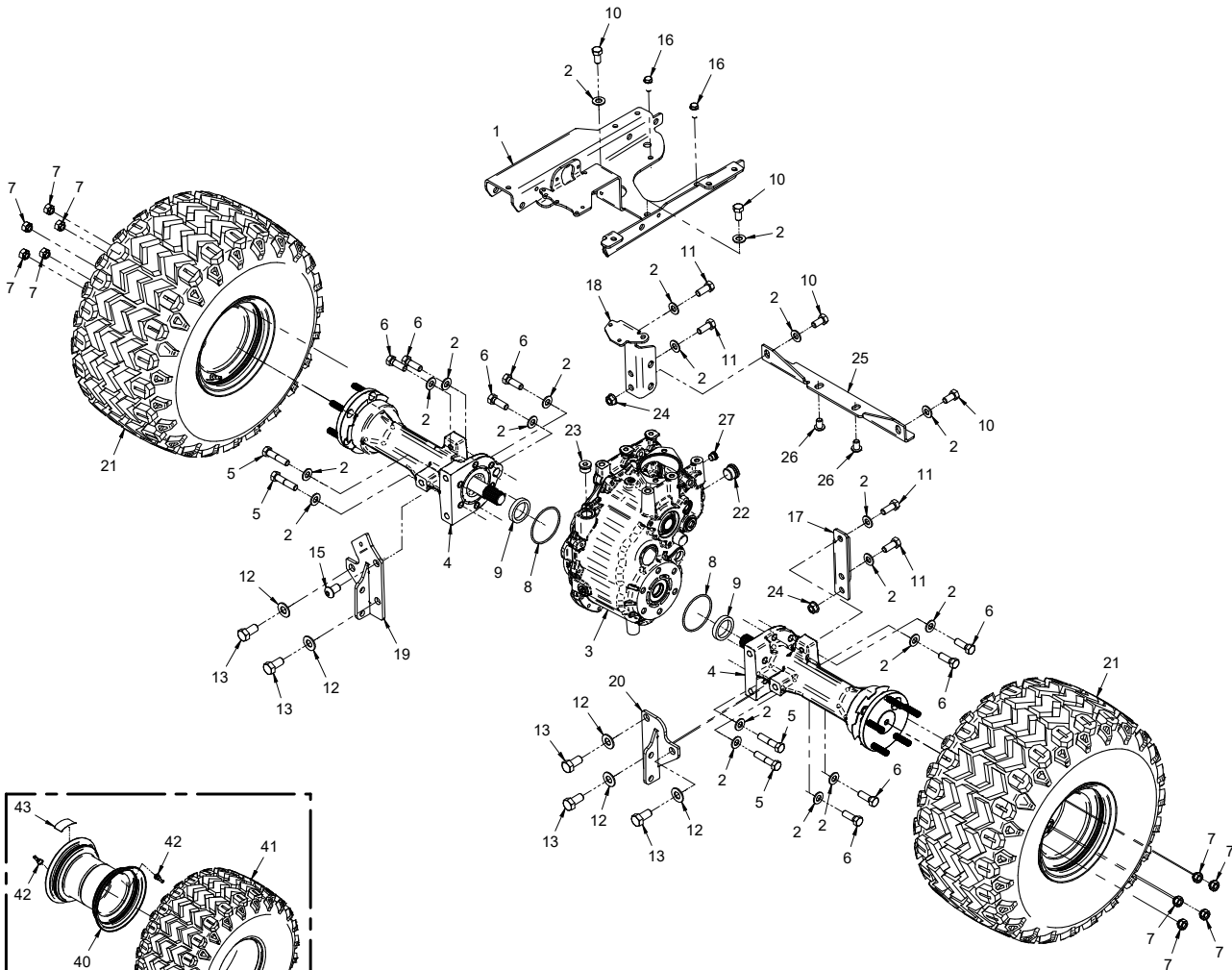
HYDRAULICS, AXLES, & WHEELS

Front Transaxle & Wheels

| REF. | PART NO. | DESCRIPTION | QTY. |
|------|-----------|---|------|
| 1 | 95.08 | .WASHER, FLAT 1/2 SAE | 18 |
| 2 | 51.0020 | .TRANSAXLE, PEERLESS (Serial # 01001-12728) | 1 |
| 2 | 51.0087 | .TRANSAXLE, PEERLESS (Serial # 12729-) | 1 |
| 3 | 51.0063 | .AXLE, ASM 40MM FORGED SHAFT | 2 |
| 4 | 90.0818 | .BOLT, 1/2-13 USS X 2-1/4 | 4 |
| 5 | 90.0812 | .BOLT, 1/2-13 USS X 1-1/2 | 12 |
| 6 | 99.E0044 | .NUT, LUG 7/16-20 SAE | 10 |
| 7 | 26.0024 | .O-RING 3-1/8 X 3-3/8 X 1/8 | 2 |
| 8 | 51.0022 | .SPACER, AXLE FOR HOUSING ASSY | 2 |
| 9 | 90.0810 | .BOLT, 1/2-13 USS X 1-1/4 | 2 |
| 10 | 95.10 | .WASHER, FLAT 5/8 SAE | 6 |
| 11 | 90.1010 | .BOLT, 5/8-11 USS X 1-1/4 | 6 |
| 12 | 64.1613 | .BRACKET, CONNECTOR FRAME MT (Serial # 01001-03011) | 1 |
| 12 | 64.1863 | .BRACKET, CONNECTOR FRAME MT (Serial # 03012-) | 1 |
| 13 | 29.P06H | .PIPE, PLUG 3/8 HEX ZP (Serial # 01001-12728) | 1 |
| 14 | 53.0077 | .WHEEL, ASM 22 X 12 X 8 X 5B | 2 |
| 15 | 62.1371 | .FRAME, CONNECTOR LINK MOUNT | 1 |
| 16 | 90.0606 | .BOLT, 3/8-16 USS X 3/4 (Serial # 03012-) | 1 |
| 17 | 95.06 | .WASHER, FLAT 3/8 SAE (Serial # 03012-) | 1 |
| 25 | 51.0063-1 | .HOUSING, AXLE PEERLESS KT | 1 |
| 26 | 51.0063-4 | .PLATE, COVER PEERLESS AXLE | 1 |
| 27 | 89.0074 | .SEAL, OIL PEERLESS AXLE 51.0063 | 1 |
| 28 | 51.0063-3 | .SPACER, AXLE PEERLESS KT | 1 |
| 29 | 55.0063 | .BEARING, AXLE PEERLESS 51.0063 | 1 |
| 30 | 95.06 | .WASHER, FLAT 3/8 SAE | 4 |
| 31 | 90.0608 | .BOLT, 3/8-16 USS X 1 | 4 |
| 32 | 99.K0100 | .BOLT, WHL/STD 7/16-20 X 2-1/8 | 5 |
| 33 | 51.0063-2 | .SHAFT, AXLE ASM PEERLESS | 1 |
| 40 | 53.0090 | .RIM, 8 X 8.5, 5 ON 4.5 BC | 1 |
| 41 | 53.0089 | .TIRE, FIELD 22 X 12 X 8-NO RIM | 1 |
| 42 | 53.0139 | .VALVE STEM | 2 |
| 43 | 00.0348 | .DECAL, WARNING HUB SIDE (Serial # 01001-14497) | 1 |
| 43 | 00.0645 | .DECAL, HUB SIDE (Serial # 14498-) | 1 |
| 45 | 53.0090 | .RIM, 8 X 8.5, 5 ON 4.5 BC | 1 |
| 46 | 53.0114 | .TIRE, BAR 21X11X8 NO RIM | 1 |
| 47 | 53.0139 | .VALVE STEM | 2 |
| 48 | 00.0348 | .DECAL, WARNING HUB SIDE (Serial # 01001-14497) | 1 |
| 48 | 00.0645 | .DECAL, HUB SIDE (Serial # 14498-) | 1 |
| 49 | 53.0090 | .RIM, 8 X 8.5, 5 ON 4.5 BC | 1 |
| 50 | 53.0114 | .TIRE, BAR 21X11X8 NO RIM | 1 |
| 51 | 53.0139 | .VALVE STEM | 2 |
| 52 | 00.0348 | .DECAL, WARNING HUB SIDE (Serial # 01001-14497) | 1 |
| 52 | 00.0645 | .DECAL, HUB SIDE (Serial # 14498-) | 1 |
| 55 | 53.0138 | .RIM, 10 X 7 - 5 ON 4.5 BC | 1 |
| 56 | 53.0112 | .TIRE, TURFMASTR 22X11X10 NO RIM | 1 |
| 57 | 53.0139 | .VALVE STEM | 2 |
| 58 | 00.0348 | .DECAL, WARNING HUB SIDE (Serial # 01001-14497) | 1 |
| 58 | 00.0645 | .DECAL, HUB SIDE (Serial # 14498-) | 1 |
| 60 | 53.0142 | .TUBE, INNER 22 X 12 X 8 | 4 |

HYDRAULICS, AXLES, & WHEELS

ILLUSTRATED DRAWING Rear Transaxle & Wheels



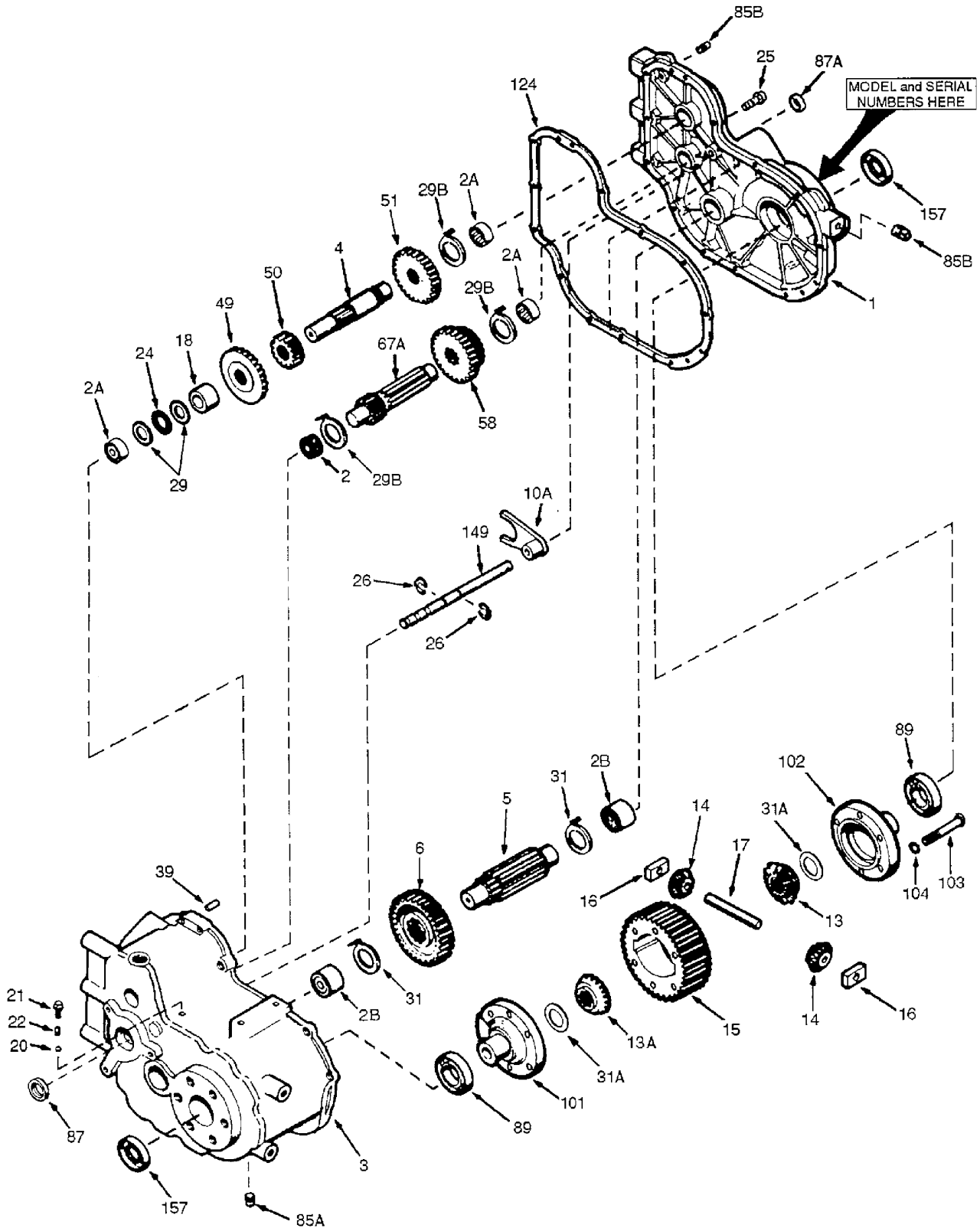
HYDRAULICS, AXLES, & WHEELS

Rear Transaxle & Wheels

| REF. | PART NO. | DESCRIPTION | QTY. |
|------|--------------|--|------|
| 1 | 62.1368 | .FRAME, REAR UPPER (Serial # 01001-01374) | 1 |
| 1 | 62.1394 | .FRAME, REAR UPPER (Serial # 01375-) | 1 |
| 2 | 95.08 | .WASHER, FLAT 1/2 SAE | 20 |
| 3 | 51.0020 | .TRANSAXLE, PEERLESS (Serial # 01001-12728) | 1 |
| 3 | 51.0087 | .TRANSAXLE, PEERLESS (Serial # 12729-) | 1 |
| 4 | 51.0063 | .AXLE, ASM 40MM FORGED SHAFT | 2 |
| 5 | 90.0818 | .BOLT, 1/2-13 USS X 2-1/4 | 4 |
| 6 | 90.0812 | .BOLT, 1/2-13 USS X 1 1/2 | 8 |
| 7 | 99.E0044 | .NUT, LUG 7/16-20 SAE | 10 |
| 8 | 26.0024 | .O-RING 3-1/8 X 3-3/8 X 1/8 | 2 |
| 9 | 51.0022 | .SPACER, AXLE FOR HOUSING ASSY | 2 |
| 10 | 90.0808 | .BOLT, 1/2-13 USS X 1 | 4 |
| 11 | 90.0810 | .BOLT, 1/2-13 USS X 1-1/4 | 4 |
| 12 | 95.10 | .WASHER, FLAT 5/8 SAE | 5 |
| 13 | 90.1010 | .BOLT, 5/8-11 USS X 1 1/4 | 5 |
| 15 | 99.1008 | .BOLT, 5/8-11 X 1 BSCS | 1 |
| 16 | 99.SF0608 | .BOLT, SRF 3/8-16 USS X 1 | 2 |
| 17 | 64.1592 | .BRACKET, REAR HITCH MT LEFT (Serial # 01001-02923) | 1 |
| 17 | 64.1865 | .BRACKET, REAR HITCH MT LEFT (Serial # 02924-) | 1 |
| 18 | 64.1591 | .BRACKET, REAR HITCH MT RIGHT (Serial # 01001-02923) | 1 |
| 18 | 64.1866 | .BRACKET, REAR HITCH MT RIGHT (Serial # 02924-) | 1 |
| 19 | 64.1595 | .BRACKET, TRANSAXLE MOUNT RIGHT | 1 |
| 20 | 64.1594 | .BRACKET, TRANSAXLE MOUNT LEFT | 1 |
| 21 | 53.0077 | .WHEEL, ASM 22 X 12 X 8 X 5B | 2 |
| 22 | 29.P12G | .PIPE, PLUG 3/4" GALV. SQ ZP (Serial # 01001-12728) | 1 |
| 22 | 25.6408-H-12 | .FITTING, PLUG 12MB X HOLLOW ALLEN (Serial # 12729-) | 1 |
| 23 | 25.6408-H-10 | .FITTING, -10 MB X HOLLOW ALLEN | 1 |
| 24 | 99.SF08 | .NUT, SRF 1/2-13 USS (Serial # 02924-) | 2 |
| 25 | 64.1864 | .BRACKET, REAR TRANSAXLE (Serial # 02924-) | 1 |
| 26 | 99.0806 | .BOLT, 1/2-13 X 3/4 BSCS (Serial # 02924-) | 2 |
| 27 | 25.6408-H-06 | .FITTING, PLUG 06MB X HOLLOW ALLEN (Serial # 12729-) | 1 |
| 30 | 51.0063-1 | .HOUSING, AXLE PEERLESS KT | 1 |
| 31 | 51.0063-4 | .PLATE, COVER PEERLESS AXLE | 1 |
| 32 | 89.0074 | .SEAL, OIL PEERLESS AXLE 51.0063 | 1 |
| 33 | 51.0063-3 | .SPACER, AXLE PEERLESS KT | 1 |
| 34 | 55.0063 | .BEARING, AXLE PEERLESS 51.0063 | 1 |
| 35 | 95.06 | .WASHER, FLAT 3/8 SAE | 4 |
| 36 | 90.0608 | .BOLT, 3/8-16 USS X 1 | 4 |
| 37 | 99.K0100 | .BOLT, WHL/STD 7/16-20 X 2-1/8 | 5 |
| 38 | 51.0063-2 | .SHAFT, AXLE ASM PEERLESS | 1 |
| 40 | 53.0090 | .RIM, 8 X 8.5, 5 ON 4.5 BC | 1 |
| 41 | 53.0089 | .TIRE, FIELD 22 X 12 X 8-NO RIM | 1 |
| 42 | 53.0139 | .VALVE STEM | 2 |
| 43 | 00.0348 | .DECAL, WARNING HUB SIDE (Serial # 01001-14497) | 1 |
| 43 | 00.0645 | .DECAL, HUB SIDE (Serial # 14498-) | 1 |
| 45 | 53.0090 | .RIM, 8 X 8.5, 5 ON 4.5 BC | 1 |
| 46 | 53.0114 | .TIRE, BAR 21X11X8 NO RIM | 1 |
| 47 | 53.0139 | .VALVE STEM | 2 |
| 48 | 00.0348 | .DECAL, WARNING HUB SIDE (Serial # 01001-14497) | 1 |
| 48 | 00.0645 | .DECAL, HUB SIDE (Serial # 14498-) | 1 |
| 49 | 53.0090 | .RIM, 8 X 8.5, 5 ON 4.5 BC | 1 |
| 50 | 53.0114 | .TIRE, BAR 21X11X8 NO RIM | 1 |
| 51 | 53.0139 | .VALVE STEM | 2 |
| 52 | 00.0348 | .DECAL, WARNING HUB SIDE (Serial # 01001-14497) | 1 |
| 52 | 00.0645 | .DECAL, HUB SIDE (Serial # 14498-) | 1 |
| 55 | 53.0138 | .RIM, 10 X 7 - 5 ON 4.5 BC | 1 |
| 56 | 53.0112 | .TIRE, TURFMASTR 22X11X10 NO RIM | 1 |
| 57 | 53.0139 | .VALVE STEM | 2 |
| 58 | 00.0348 | .DECAL, WARNING HUB SIDE (Serial # 01001-14497) | 1 |
| 58 | 00.0645 | .DECAL, HUB SIDE (Serial # 14498-) | 1 |
| 60 | 53.0142 | .TUBE, INNER 22 X 12 X 8 | 4 |

HYDRAULICS, AXLES, & WHEELS

ILLUSTRATED DRAWING Model 2600 Transaxle (51.0020/51.0087)



HYDRAULICS, AXLES, & WHEELS

Model 2600 Transaxle (51.0020/51.0087)

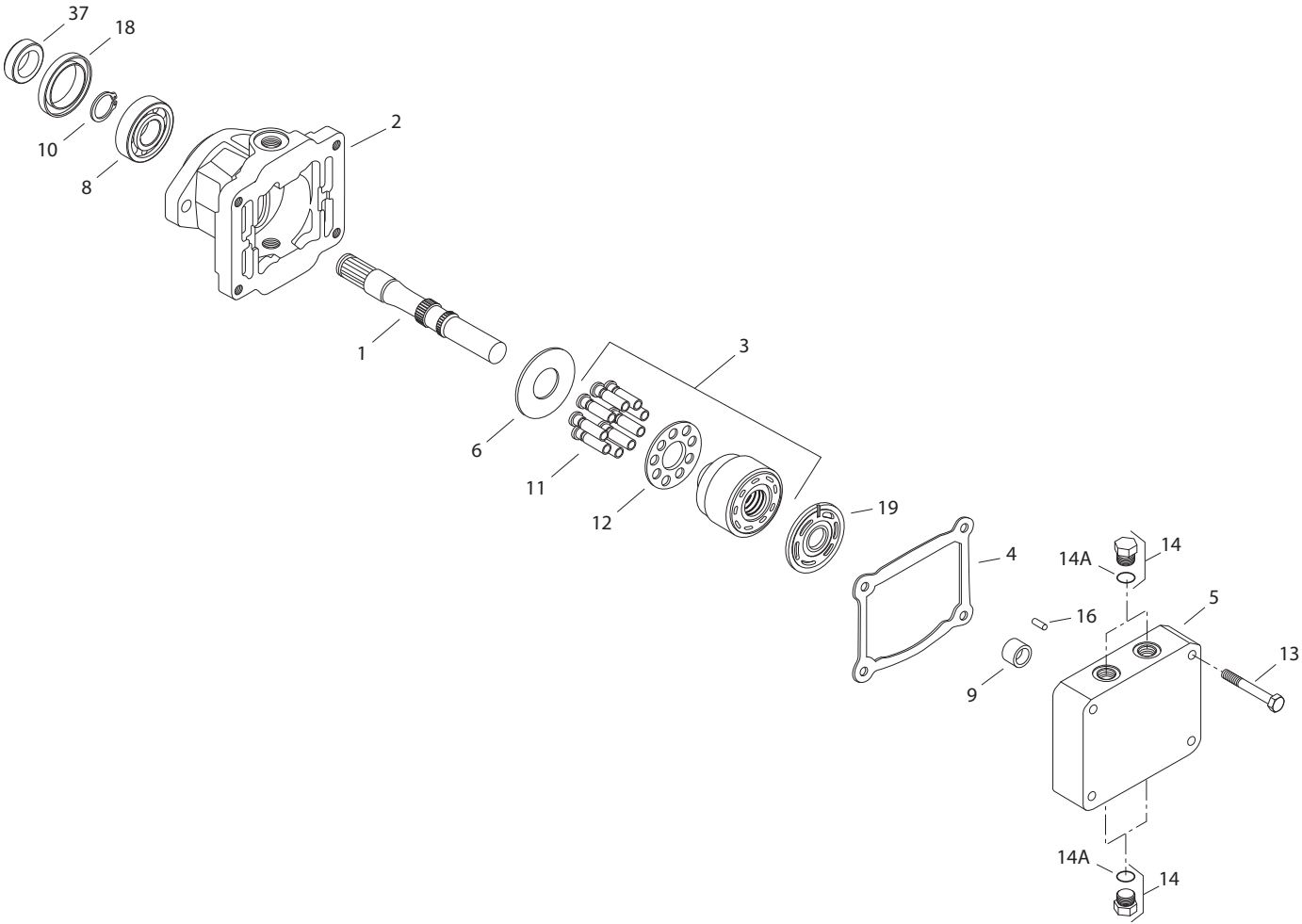
| REF. | PART NO. | DESCRIPTION | QTY. |
|------|--------------|---|------|
| 1 | 51.0026 | .COVER, 2600 TRANSAXLE (Includes 2A & 2B)* (Serial # 01001-12728) | 1 |
| 1 | 51.0088 | .COVER, 2600 TRANSAXLE (Includes 2A & 2B)* (Serial # 12729-) | 1 |
| 2 | 55.0037 | .BEARING, 2600 NEEDLE 1.000 ID | 1 |
| 2A | 55.0038 | .BEARING, 2600 NEEDLE 1.000 ID | 3 |
| 2B | 55.0041 | .BEARING, 2600 NEEDLE 1.250 ID | 2 |
| 3 | 51.0025 | .CASE, 2600 TRANSAXLE (Serial # 01001-12728) | 1 |
| 3 | 51.0089 | .CASE, 2600 TRANSAXLE (Serial # 12729-) | 1 |
| 10A | 51.0030 | .FORK, 2600 SHIFT | 1 |
| 13 | 51.0031 | .GEAR, 2600 BEVEL | 1 |
| 13A | 51.0031 | .GEAR, 2600 BEVEL | 1 |
| 14 | 51.0033 | .PINION, 2600 BEVEL | 2 |
| 24 | 51.0085 | .BEARING, THRUST 1.002 ID X .0781W | 1 |
| 29 | 51.0084 | .WASHER, THRUST 1.002 ID X .061W | 2 |
| 29B | 51.0032 | .WASHER, 2600 THRUST | 3 |
| 31 | 51.0082 | .WASHER, THRUST 1.252 ID X .058W | 2 |
| 31A | 51.0028 | .WASHER, 2600 THRUST | 2 |
| 39 | 51.0029 | .PIN, DOWEL 2600 5/16 X 3/4 | 2 |
| 85A | 29.P06H | .PIPE, PLUG 3/8 HEX ZP (Serial # 01001-12728) | 1 |
| 85A | 25.6408-H-06 | .FITTING, -06 MB X HOLLOW ALLEN (Serial # 12729-) | 1 |
| 87 | 89.0046 | .SEAL, BRAKE SHAFT OIL | 1 |
| 87A | 89.0047 | .SEAL, SHIFTER ROD OIL | 1 |
| 89 | 55.0039 | .BEARING, 2600 NEEDLE 1.5743 ID | 1 |
| 124 | 89.0051 | .GASKET, CASE | 1 |
| 149 | 51.0027 | .ROD, 2600 SHIFT (HIGH/LOW) | 1 |
| 157 | 89.0049 | .SEAL, OIL - AXLE PEERLESS | 2 |

Listed items are stocked. Check for availability of unlisted parts.

*Ref. 2 brake shaft bearing must be ordered separately.

HYDRAULICS, AXLES, & WHEELS

ILLUSTRATED DRAWING Model 15 Hydraulic Motor (21.0081)



HYDRAULICS, AXLES, & WHEELS

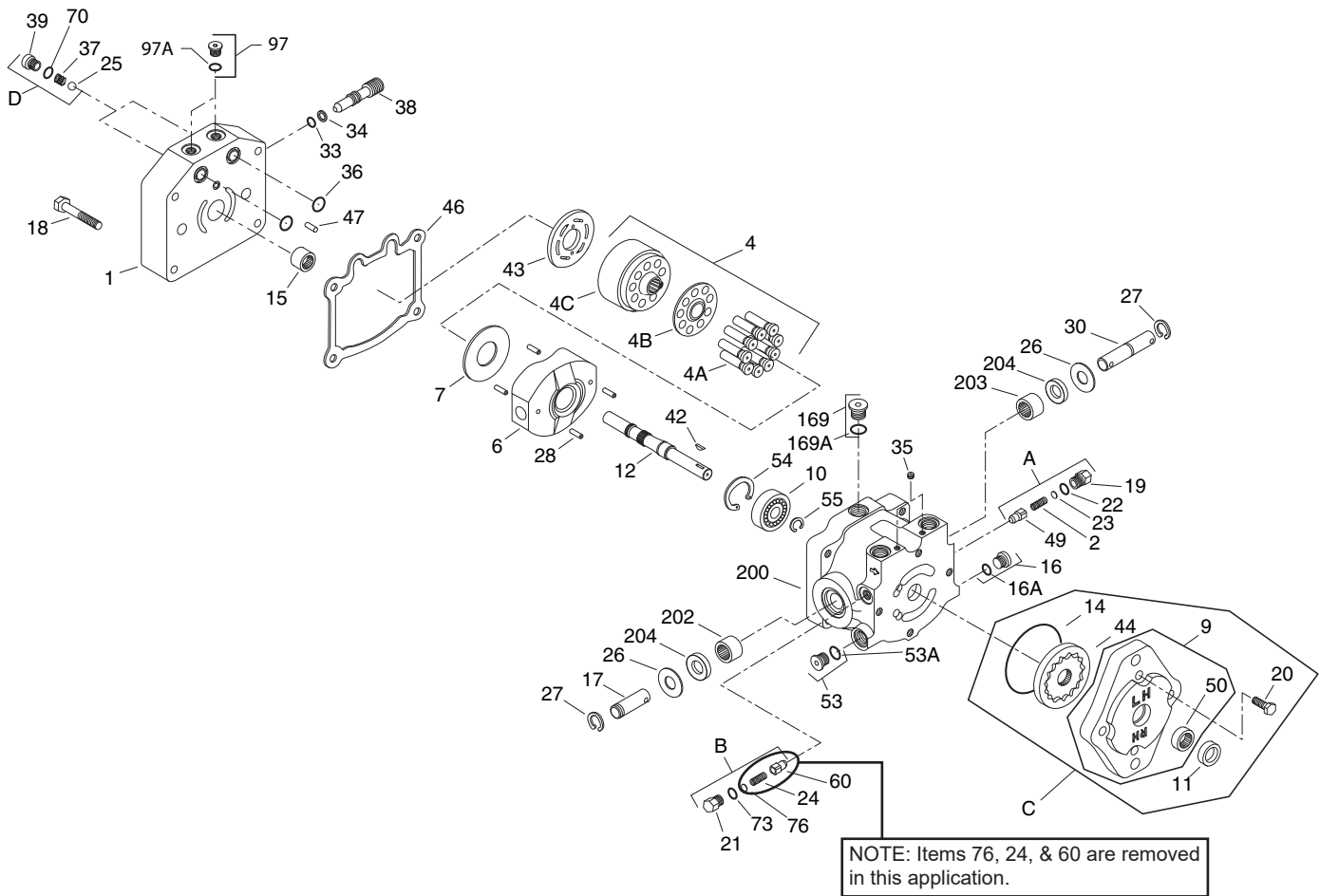
Model 15 Hydraulic Motor (21.0081)

| REF. | PART NO. | DESCRIPTION | QTY. |
|------|------------|---------------------------------|------|
| 3 | 21.0099 | .KIT, CYL BLOCK SUNDSTRAND | 1 |
| 4 | 89.0055 | .GASKET, MOTOR 2 BOLT FLANGE | 1 |
| 6 | 21.0019 | .PLATE, THRUST SUNDSTRAND | 1 |
| 9 | 55.0036 | .BEARING, DU SUNDSTRAND | 1 |
| 11 | 21.0099-1 | .PISTON, CYLINDER BLOCK | 9 |
| 12 | 21.0099-2 | .RETAINER, PISTON CYLINDER BLCK | 1 |
| 14 | 25.6408-08 | .FITTING, PLUG 8MB | 4 |
| 14a | 26.0037 | .O-RING, -908 FOR MORB-08 VITON | 4 |
| 18 | 89.0062 | .SEAL, SHAFT-SERIES 15 MOTOR | 1 |
| 19 | 21.0088 | .PLATE, VALVE (MOTOR) | 1 |

Listed items are stocked. Check for availability of unlisted parts.

HYDRAULICS, AXLES, & WHEELS

ILLUSTRATED DRAWING Model 15 Hydraulic Pump (21.0080)



Note: Item 200 includes items 202, 203 and 204

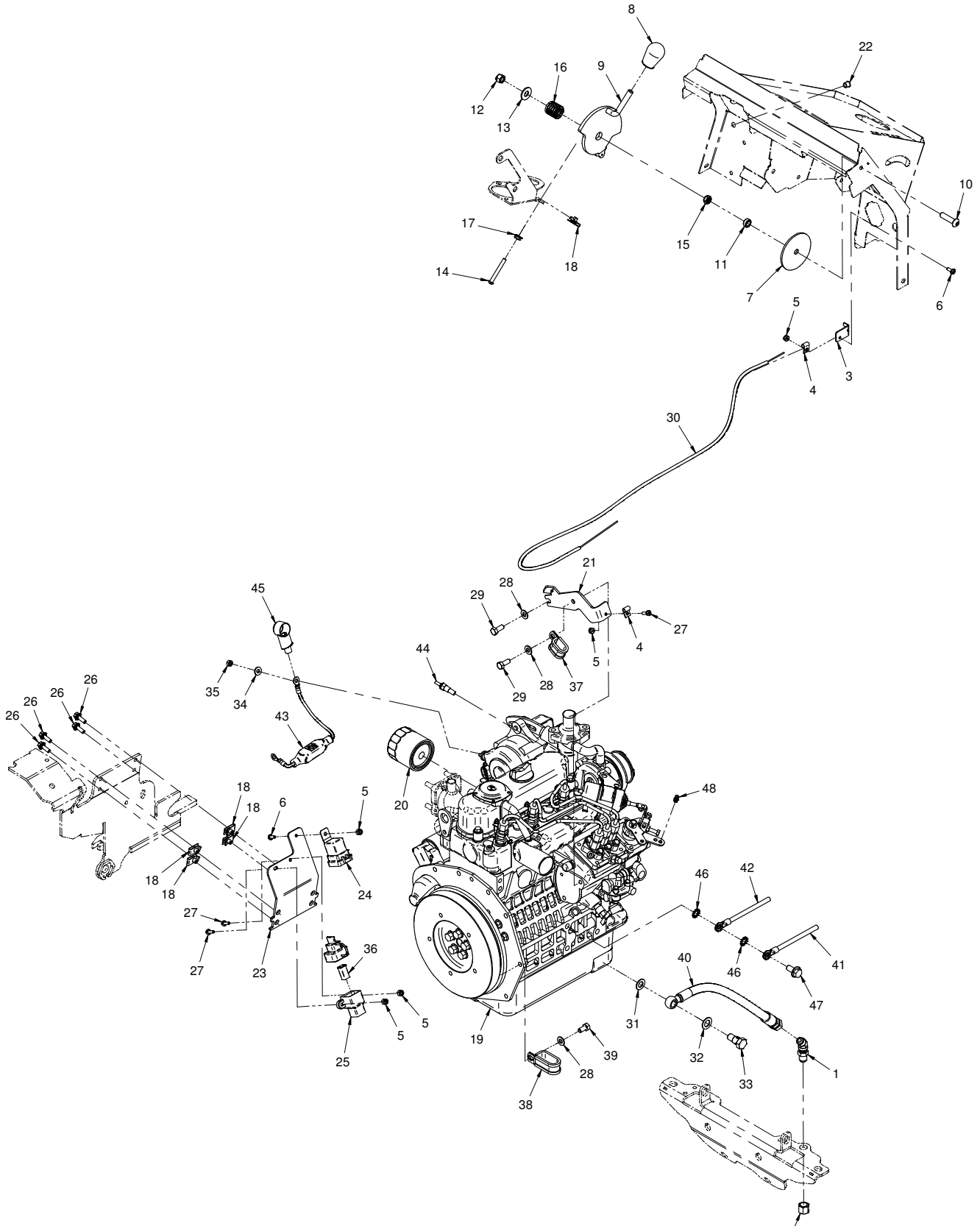
HYDRAULICS, AXLES, & WHEELS

Model 15 Hydraulic Pump (21.0080)

| REF. | PART NO. | DESCRIPTION | QTY. |
|------|-------------|--|------|
| 1 | NOT STOCKED | CAP, END | 3 |
| 2 | 21.0087 | SPRING, IMPLEMENT RELIEF | 1 |
| 4 | 21.0099 | KIT, CYL BLOCK SUNDSTRAND | 1 |
| 4A | 21.0099-1 | PISTON, CYLINDER BLOCK | 9 |
| 4B | 21.0099-2 | RETAINER, PISTON CYLINDER BLCK | 1 |
| 4C | NOT STOCKED | BLOCK, CYLINDER | 1 |
| 6 | 21.0101 | SWASHPLATE, SUNDSTRAND | 1 |
| 7 | 21.0019 | PLATE, THRUST SUNDSTRAND | 1 |
| 9 | 21.0032 | HOUSING, CHARGE PUMP (PUMP SERIAL # A063910905 OR EARLIER) | 1 |
| 9 | 21.0033 | HOUSING, CHARGE PUMP (PUMP SERIAL # A063910906-) | 1 |
| 10 | 55.0034 | BEARING, BALL SUNDSTRAND | 1 |
| 11 | 89.0052-1 | SEAL, 3/4 SFT X 1 1/4 VITON | 1 |
| 12 | 21.0028 | SHAFT, PUMP 15 PV | 1 |
| 14 | 26.0008 | O-RING, 0.103 X 3.487ID X 3.693OD VITON | 1 |
| 15 | 55.0025 | BEARING, ROLLER .6875 X .937 | 1 |
| 16 | NOT STOCKED | PLUG | 1 |
| 16A | 26.0038 | O-RING, -910 FOR MORB-10 VITON | 1 |
| 17 | 21.0076 | SHAFT, TRUNNION SUNDSTRAND | 1 |
| 18 | NOT STOCKED | SCREW | 4 |
| 19 | 21.0089 | PLUG, RELIEF VALVE SUNDSTRAND | 1 |
| 20 | NOT STOCKED | SCREW | 4 |
| 21 | NOT STOCKED | PLUG | 1 |
| 22 | 26.0013 | O-RING, -905 FOR MORB-05 VITON | 1 |
| 23 | 21.0093 | SHIM, .020 X 5/16 OD, HI-PRESS | 1 |
| 23 | 21.0094 | SHIM, .010 X 5/16 OD, HI-PRESS | 1 |
| 23 | 21.0106 | SHIM, .005 X 5/16 OD, HI-PRESS | 1 |
| 24 | 41.0091 | SPRING, COMP 1/4"OD X 1" LG | 1 |
| 25 | NOT STOCKED | BALL | 2 |
| 26 | 21.0049 | WASHER, .699 X 1.375 X .059 | 2 |
| 27 | 04.0014 | SNAP RING, EXT. 11/16 SFT | 2 |
| 28 | 02.CP0605C | ROLL PIN, 3/16 X 5/8 COILED | 4 |
| 30 | 21.0075 | SHAFT, TRUNNION-CTRL-SERIES 15 | 1 |
| 33 | 26.0025 | O-RING, -012 FOR MORF-06 VITON | 1 |
| 34 | 04.0039 | RING, BACK UP | 1 |
| 35 | NOT STOCKED | PLUG, PIPE | 2 |
| 36 | 26.0009 | O-RING, .070 X .489 ID 90D | 2 |
| 37 | NOT STOCKED | SPRING | 2 |
| 38 | 23.0165 | VALVE, BYPASS | 1 |
| 39 | NOT STOCKED | PLUG | 2 |
| 42 | 85.W0305 | KEY, WOODRUFF 3/16" X 5/8" | 1 |
| 43 | 21.0026 | PLATE, VALVE (LH) PUMP | 1 |
| 44 | 21.0027 | GEROTOR, ASM PUMP | 1 |
| 46 | 89.0054 | GASKET, PUMP SUNDSTR.SERIES 15 | 1 |
| 47 | NOT STOCKED | PIN | 1 |
| 49 | NOT STOCKED | CONE, CHARGE RELIEF | 1 |
| 50 | 55.0024 | BEARING, NEEDLE 3/4X1 SERIES15 | 1 |
| 53 | NOT STOCKED | PLUG | 1 |
| 53A | 26.0038 | O-RING, -910 FOR MORB-10 VITON | 1 |
| 54 | NOT STOCKED | RING, RETAINING | 1 |
| 55 | NOT STOCKED | RING, RETAINING | 1 |
| 60 | NOT STOCKED | CONE, CHARGE RELIEF | 1 |
| 70 | 26.0013 | O-RING, -905 FOR MORB-05 VITON | 2 |
| 73 | 26.0013 | O-RING, -905 FOR MORB-05 VITON | 1 |
| 76 | 21.0093 | SHIM, .020 X 5/16 OD, HI-PRESS | 1 |
| 76 | 21.0094 | SHIM, .010 X 5/16 OD, HI-PRESS | 1 |
| 76 | 21.0106 | SHIM, .005 X 5/16 OD, HI-PRESS | 1 |
| 97 | NOT STOCKED | PLUG | 2 |
| 97A | 26.0035 | O-RING, -904 FOR MORB-04 VITON | 2 |
| 169 | NOT STOCKED | PLUG | 1 |
| 169A | 26.0037 | O-RING, -908 FOR MORB-08 VITON | 1 |
| 200 | NOT STOCKED | ASSEMBLY, HOUSING | 1 |
| 202 | 85.B0067 | BUSHING, BEARING JOURNAL | 1 |
| 203 | 85.B0067 | BUSHING, BEARING JOURNAL | 1 |
| 204 | 89.0053-1 | SEAL, .687 SFT X 1.19 VITON | 2 |
| A | NOT STOCKED | KIT, IMPLEMENT RELIEF | 1 |
| B | NOT STOCKED | KIT, CHARGE RELIEF | 1 |
| C | NOT STOCKED | KIT, CHARGE PUMP | 1 |
| D | NOT STOCKED | KIT, CHECK VALVE | 1 |

ENGINES

ILLUSTRATED DRAWING 4500Y Kubota Diesel Engine



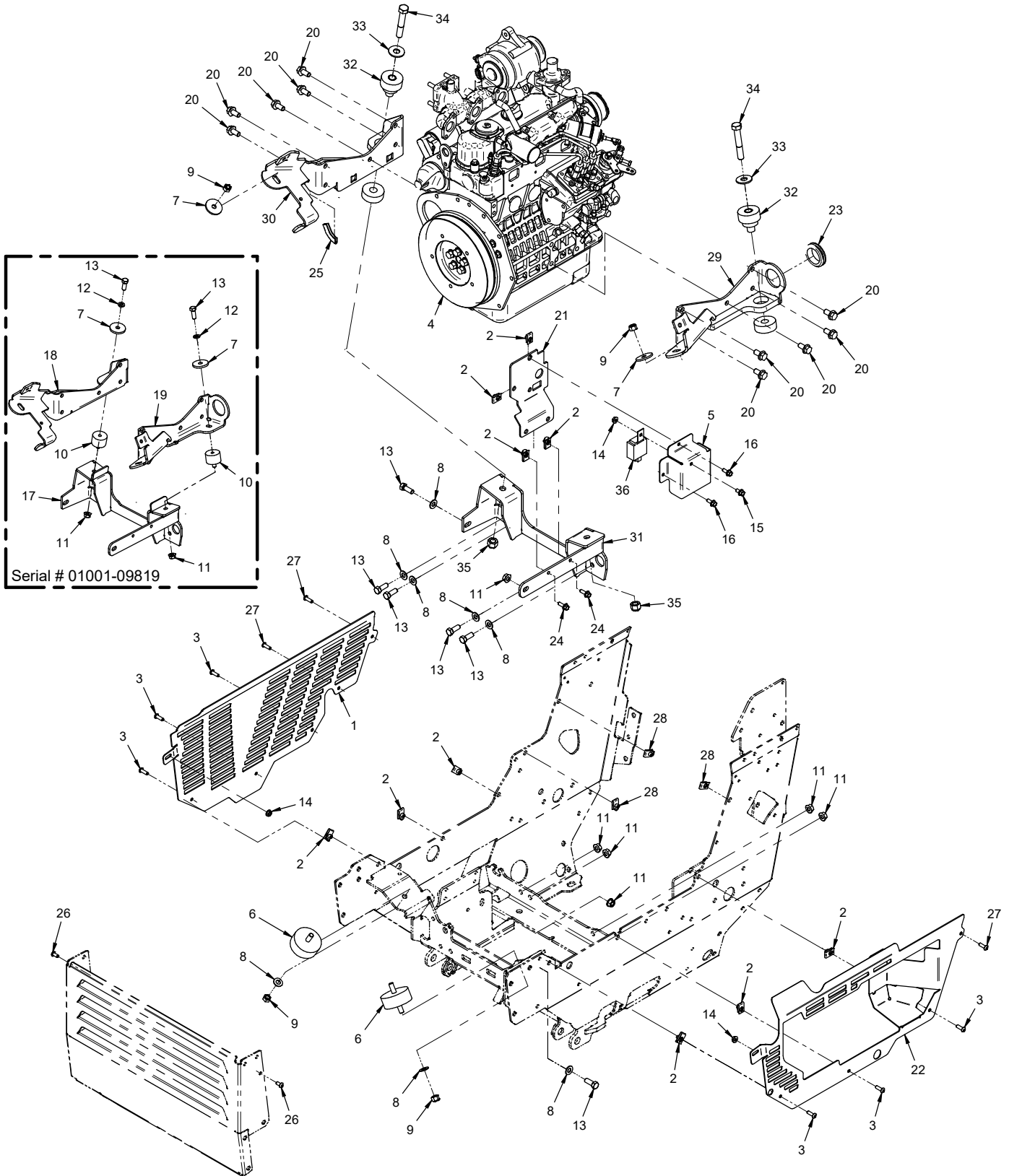
ENGINES

4500Y Kubota Diesel Engine

| REF. | PART NO. | DESCRIPTION | QTY. |
|------|-----------------|---|------|
| 1 | 25.2702-06-06LN | .FITTING, BULKHEAD 3/8 W/LN 45 | 1 |
| 2 | 25.304-C-06 | .FITTING, CAP 3/8 #6 JIC | 1 |
| 3 | 64.1700 | .BRACKET, CABLE END | 1 |
| 4 | 45.0050 | .CLAMP, CABLE | 2 |
| 5 | 99.A1032N | .LOCKNUT, NYLON 10-32 STAINLESS | 5 |
| 6 | 99.K0062 | .MACHINE SCREW, #10-32 X 1/2 | 2 |
| 7 | 05.0013 | .WASHER, FRIC. 3 OD X 13/32 ID | 1 |
| 8 | 47.0001 | .KNOB, SM. #80 3/8-16 THREAD | 1 |
| 9 | 40.0377 | .LEVER, THROTTLE | 1 |
| 10 | 99.0614 | .BOLT, 3/8-16 X 1-3/4 BSCS | 1 |
| 11 | 64.0602 | .BUSHING, 3/8 X 5/8 X .265 | 1 |
| 12 | 99.A06N | .LOCKNUT, NYLON 3/8-16 USS | 1 |
| 13 | 94.06 | .WASHER, FLAT 3/8 USS | 1 |
| 14 | 99.0416 | .BOLT, 1/4-20 X 2 BSCS | 1 |
| 15 | 99.E0113 | .NUT, JAM 3/8-16 NYLON LOCK GR8 | 1 |
| 16 | 41.0107 | .SPRING, COMP. .970" OD X 1" LG | 1 |
| 17 | 99.SF04 | .NUT, SRF 1/4-20 USS | 1 |
| 18 | 99.E0046 | .NUT, "U" 1/4-20 EXTRUDED | 5 |
| 19 | 13.0242 | .ENGINE, KUBOTA 25 HP DSL LC | 1 |
| 20 | 13.0267 | .FILTER, ENGINE OIL KUBOTA | 1 |
| 21 | 64.1692 | .BRACKET, THROTTLE CABLE | 1 |
| 22 | 05.0087 | .PLUG, 3/8" HOLE, BLACK | 1 |
| 23 | 64.1693 | .BRACKET, FUSE HOLDER | 1 |
| 24 | 35.0122 | .RELAY, 12V 20/40A MINI SEALED | 1 |
| 25 | 30.0402 | .FUSE HOLDER, 50A J CASE | 1 |
| 26 | 99.SF0406 | .BOLT, SRF 1/4-20 X 3/4 | 4 |
| 27 | 99.K0071 | .MACHINE SCREW, #10-32 X 5/8 | 3 |
| 28 | 95.05 | .WASHER, FLAT 5/16 SAE | 3 |
| 29 | 99.M0005 | .BOLT, M8 X 1.25 P X 20MM LONG | 2 |
| 30 | 47.0322 | .CABLE, THROTTLE KN | 1 |
| 31 | 99.B0108 | .WASHER, SEALING 12MM COPPER | 1 |
| 32 | 99.B0106 | .WASHER, SEALING 14MM COPPER | 1 |
| 33 | 14.0051 | .BOLT, BANJO M12 X 1.25 | 1 |
| 34 | 95.04 | .WASHER, FLAT 1/4 SAE | 1 |
| 35 | 99.M0031 | .NUT, M6 X 1.0MM | 1 |
| 36 | 30.0374 | .FUSE, 50A J-CASE ORANGE | 1 |
| 37 | 11.0046 | .CLAMP, CUSHIONED METAL 1/2" | 1 |
| 38 | 11.0071 | .CLAMP, CUSHIONED METAL 3/4" | 1 |
| 39 | 99.M0014 | .BOLT, M8 X 1.25 X 16MM | 1 |
| 40 | 22.0062 | .HOSE, 3/8X13.50 PLK 250 PSI CPE | 1 |
| 41 | 32.0103 | .CABLE, ASM NEG 4GA | 1 |
| 42 | 32.0112 | .CABLE, ASM NEG 4GA | 1 |
| 43 | 30.0451 | .FUSE, 80 AMP FUSE LINK | 1 |
| 44 | 13.0286 | .SENDING UNIT, TEMPERATURE (Serial # 01001-02476) | 1 |
| 44 | 13.0309 | .SENDING UNIT, TEMPERATURE (Serial # 02477-) | 1 |
| 45 | 30.0321 | .INSULATOR, ALTERNATOR POST | 1 |
| 46 | 99.G0004 | .WASHER, STAR-EXTERNAL 3/8 | 2 |
| 47 | 99.M0028 | .BOLT, M10-1.25 X 20MM FLANGE | 1 |
| 48 | 47.0234 | .THROTTLE CONTROL, WIRE SWIVEL | 1 |

ENGINES

ILLUSTRATED DRAWING 4500Y Kubota Diesel Engine Mount



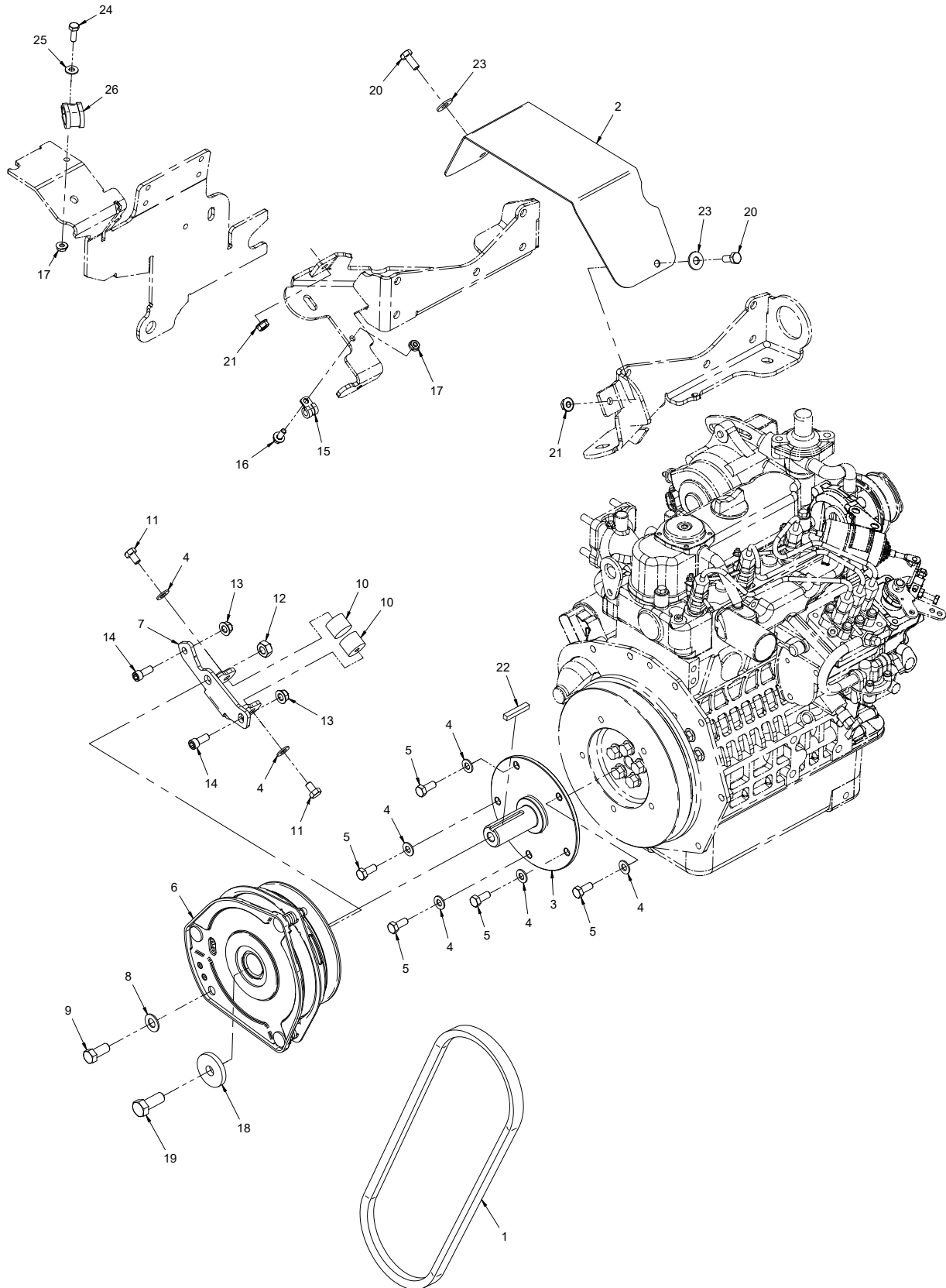
ENGINES

4500Y Kubota Diesel Engine Mount

| REF. | PART NO. | DESCRIPTION | QTY. |
|------|----------------|---|------|
| 1 | 60.1208 | .COVER, ENGINE RIGHT 4500 | 1 |
| 2 | 99.E0046 | .NUT, "U" 1/4-20 EXTRUDED | 10 |
| 3 | 99.0406 | .BOLT, 1/4-20 X 3/4 BSCS | 6 |
| 4 | 13.0242 | .ENGINE, KUBOTA 25 HP DSL LC | 1 |
| 5 | 60.1165 | .COVER, KUBOTA TIMER | 1 |
| 6 | 05.0088 | .ISOLATOR, 3/8-16 X 2.5 OD X 1" | 2 |
| 7 | 99.B0076 | .WASHER, .185 X 13/32 ID X 1-5/8 | 4 |
| 8 | 95.06 | .WASHER, FLAT 3/8 SAE | 8 |
| 9 | 99.A06N | .LOCKNUT, NYLON 3/8-16 USS | 4 |
| 10 | 70.8194 | .KIT, ENGINE MOUNT & ISOLATOR UPDATE (Serial # 01001-09819) | 2 |
| 11 | 99.SF06 | .NUT, SRF 3/8-16 USS | 8 |
| 12 | 96.06 | .WASHER, LOCK 3/8 (Serial # 01001-09819) | 2 |
| 13 | 90.0608 | .BOLT, 3/8-16 USS X 1 | 8 |
| 14 | 99.SF04 | .NUT, SRF 1/4-20 USS | 3 |
| 15 | 99.SF0404-1 | .BOLT, SMF 1/4-20 X 1/2 | 1 |
| 16 | 99.SF0405-1 | .BOLT, SMF 1/4-20 X 5/8 | 2 |
| 17 | 70.8194 | .KIT, ENGINE MOUNT & ISOLATOR UPDATE (Serial # 01001-09819) | 1 |
| 18 | 70.8194 | .KIT, ENGINE MOUNT & ISOLATOR UPDATE (Serial # 01001-09819) | 1 |
| 19 | 70.8194 | .KIT, ENGINE MOUNT & ISOLATOR UPDATE (Serial # 01001-09819) | 1 |
| 20 | 99.M0028 | .BOLT, M10-1.25 X 20MM FLANGE | 10 |
| 21 | 64.1685 | .BRACKET, ENGINE ELECTRICAL | 1 |
| 22 | 60.1209 | .COVER, ENGINE LEFT 4500Y | 1 |
| 23 | 05.0036 | .GROMMET, 1 1/2ID,2 1/8OD,9/16T | 1 |
| 24 | 99.SF0406 | .BOLT, SRF 1/4-20 X 3/4 | 2 |
| 25 | 06.0050-2IN | .TRIM, TRIM LOC 1/2 X 3/16 X 2" | 1 |
| 26 | 99.0404 | .BOLT, 1/4-20 X 1/2 BSCS | 2 |
| 27 | 99.0404 | .BOLT, 1/4-20 X 1/2 BSCS (SERIAL # 01001-03966) | 3 |
| 27 | 99.0406 | .BOLT, 1/4-20 X 3/4 BSCS (SERIAL # 03967-) | 3 |
| 28 | 99.SF04 | .NUT, SRF 1/4-20 USS (SERIAL # 01001-03966) | 3 |
| 28 | 99.E0046 | .NUT, "U" 1/4-20 EXTRUDED (SERIAL # 03967-) | 3 |
| 29 | 64.2005 | .MOUNT, ENGINE KUBOTA LEFT (Serial # 09820-) | 1 |
| 30 | 64.2006 | .MOUNT, ENGINE KUBOTA RIGHT (Serial # 09820-) | 1 |
| 31 | 64.2007 | .MOUNT, ENGINE KUBOTA REAR (Serial # 09820-) | 1 |
| 32 | 05.0183 | .ISOLATOR, 1/2IDX1.88ODX2 PIECE (Serial # 09820-) | 2 |
| 33 | 94.08 | .WASHER, FLAT 1/2 USS (Serial # 09820-) | 2 |
| 34 | 90.0824 | .BOLT, 1/2-13 USS X 3 (Serial # 09820-) | 2 |
| 35 | 99.A08N | .LOCKNUT, NYLON 1/2-13 USS (Serial # 09820-) | 2 |
| 36 | 13.1J321-60242 | .TIMER, KEY STOP | 1 |

ENGINES

ILLUSTRATED DRAWING 4500Y Kubota Diesel PTO Clutch



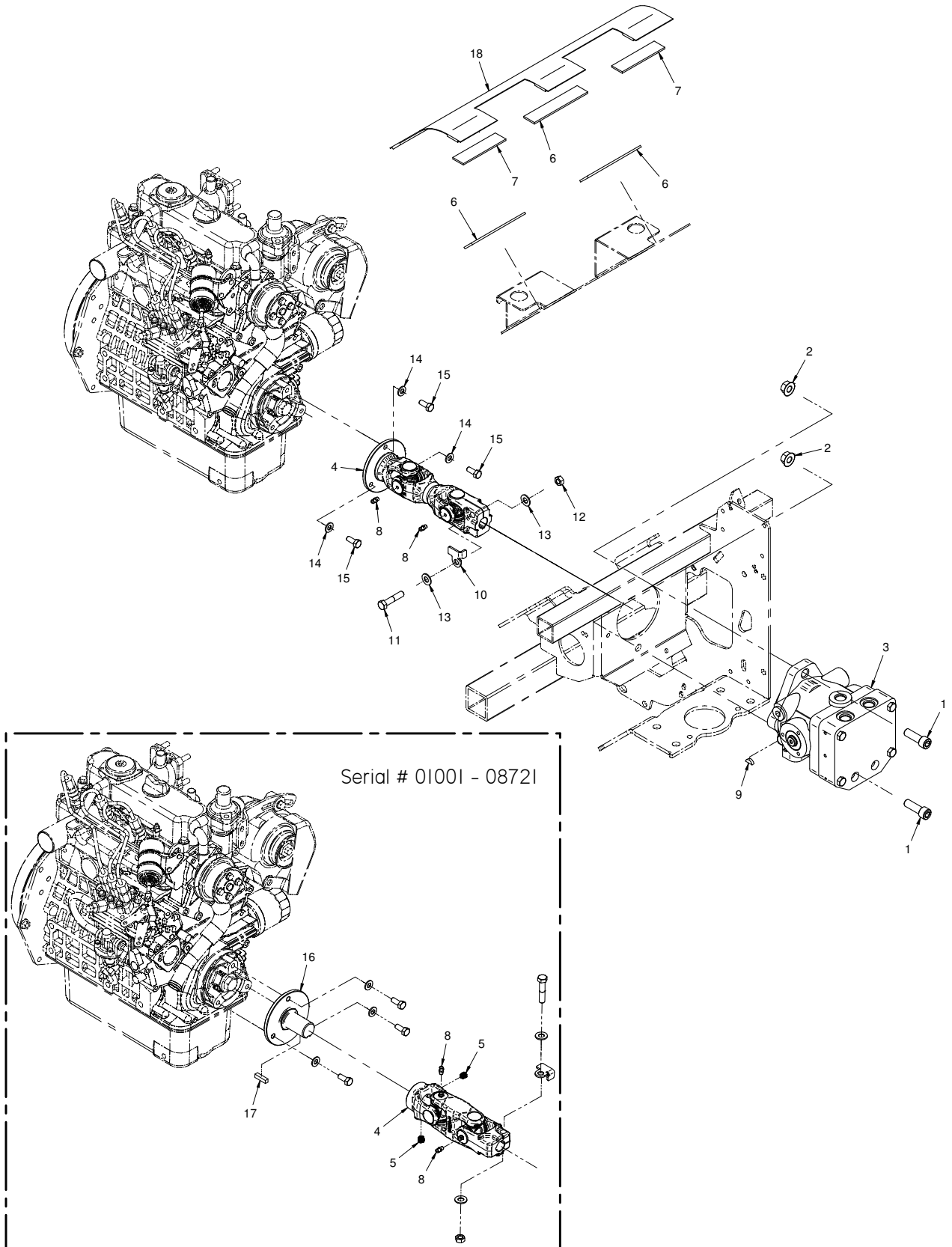
ENGINES

4500Y Kubota Diesel PTO Clutch

| REF. | PART NO. | DESCRIPTION | QTY. |
|------|-------------|---------------------------------|------|
| 1 | 81.B038 | .BELT, B38 | 1 |
| 2 | 60.1166 | .COVER, FLYWHEEL | 1 |
| 3 | 13.0257 | .STUB SHAFT, KUBOTA | 1 |
| 4 | 95.05 | .WASHER, FLAT 5/16 SAE | 7 |
| 5 | 99.M0005 | .BOLT, M8 X 1.25 P X 20MM LONG | 5 |
| 6 | 37.0060 | .CLUTCH, ELECTRIC OGURA GT3.5 | 1 |
| 7 | 64.1697 | .BRACKET, CLUTCH TORQUE | 1 |
| 8 | 95.07 | .WASHER, FLAT 7/16 SAE | 1 |
| 9 | 90.0708 | .BOLT, 7/16-14 USS X 1 | 1 |
| 10 | 05.0110 | .BUMPER, RUBBER 1" DIA | 2 |
| 11 | 90.0504 | .BOLT, 5/16-18 USS X 1/2" | 2 |
| 12 | 99.A07 | .LOCKNUT, STOVER 7/16-14 USS | 1 |
| 13 | 99.E0102 | .NUT, LOCKING FLANGE 5/16-18 | 2 |
| 14 | 99.K0134 | .BOLT, SHCS 5/16-18 X 3/4 | 2 |
| 15 | 11.0058 | .CLAMP, CUSHIONED 3/8" | 1 |
| 16 | 99.SF0405-1 | .BOLT, SMF 1/4-20 X 5/8 | 1 |
| 17 | 99.SF04 | .NUT, SRF 1/4-20 USS | 2 |
| 18 | 99.B0064 | .WASHER, 1/4 X 1.75 X .531 HOLE | 1 |
| 19 | 91.0810 | .BOLT, 1/2-20 SAE X 1-1/4 | 1 |
| 20 | 90.0506 | .BOLT, 5/16-18 USS X 3/4" | 2 |
| 21 | 99.SF05 | .NUT, SRF 5/16-18 USS | 2 |
| 22 | 85.K0412 | .KEY, 1/4 X 1-1/2 | 1 |
| 23 | 94.05 | .WASHER, FLAT 5/16 USS | 2 |
| 24 | 90.0406 | .BOLT, 1/4-20 USS X 3/4 | 1 |
| 25 | 95.04 | .WASHER, FLAT 1/4 SAE | 1 |
| 26 | 11.0046 | .CLAMP, CUSHIONED 1/2" 2-TUBE | 1 |

ENGINES

ILLUSTRATED DRAWING 4500Y Kubota Diesel Drive Shaft & Pump



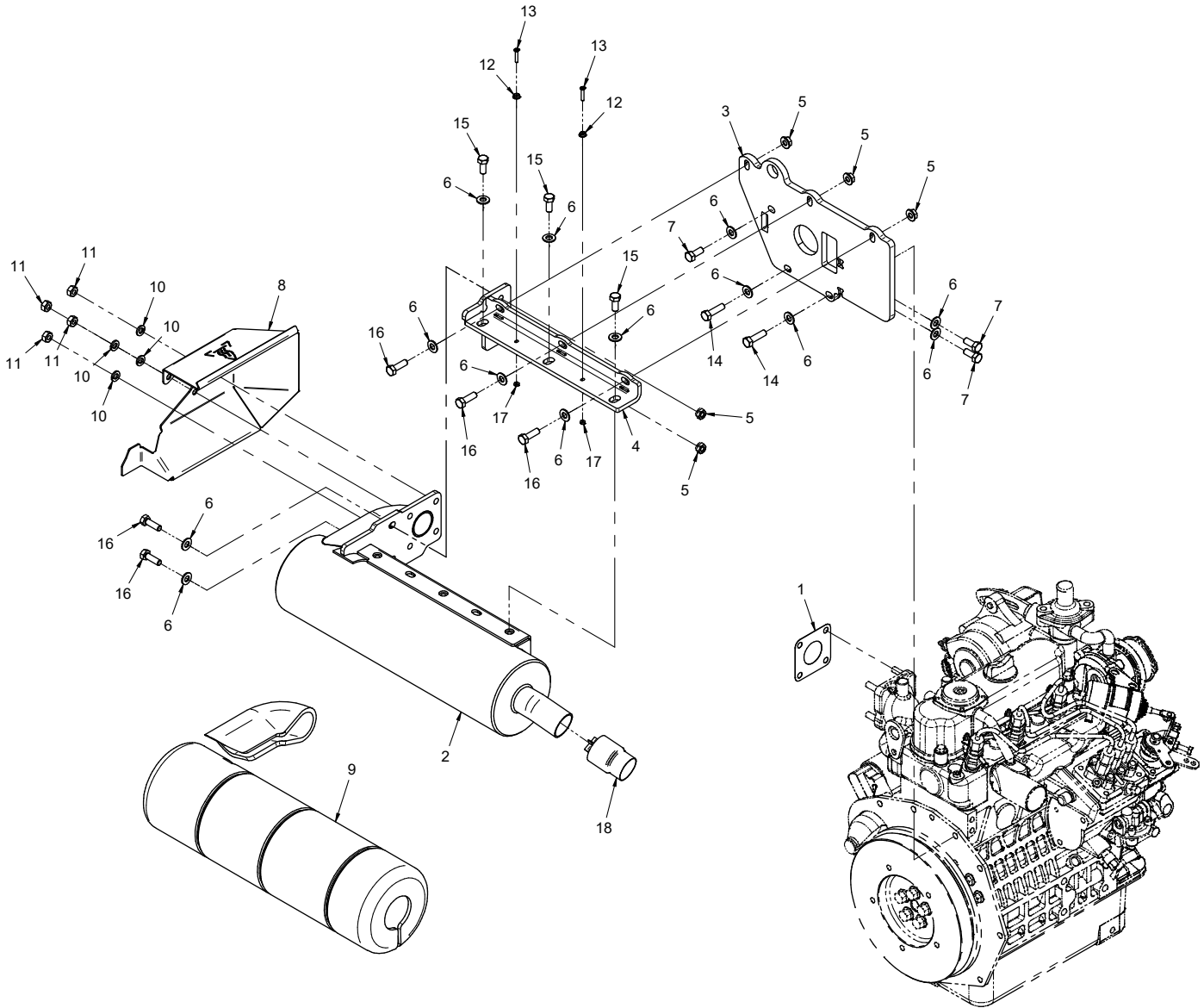
ENGINES

4500Y Kubota Diesel Drive Shaft & Pump

| REF. | PART NO. | DESCRIPTION | QTY. |
|------|-------------|--|------|
| 1 | 99.K0039 | .BOLT, SHCS 1/2 X 1 1/2 | 2 |
| 2 | 99.SF08 | .NUT, SRF 1/2-13 USS | 2 |
| 3 | 21.0080 | .PUMP, HYD. CCW 1000 PSI | 1 |
| 4 | 87.0232 | .U-JOINT, 4500 (Serial # 01001-08721) | 1 |
| 4 | 87.0231 | .U-JOINT, KUBOTA KN (Serial # 08722-) | 1 |
| 5 | 85.SS21 | .SET SCREW, 3/8-16 X 3/8 (Serial # 01001-08721) | 2 |
| 6 | 06.0065-5IN | .VELCRO, LOOP 1" BLACK X 5" | 3 |
| 7 | 06.0065-4IN | .VELCRO, LOOP 1" BLACK X 4" | 2 |
| 8 | 29.GF0001 | .GREASE FTG, 1/4 SAE ST | 2 |
| 9 | 85.W0305 | .KEY, WOODRUFF 3/16" X 5/8" | 1 |
| 10 | 64.1654 | .PLATE, DRIVESHAFT TACH TRIGGER | 1 |
| 11 | 90.0614 | .BOLT, 3/8-16 USS X 1-3/4 | 1 |
| 12 | 99.A06 | .LOCKNUT, STOVER 3/8-16 USS | 1 |
| 13 | 95.06 | .WASHER, FLAT 3/8 SAE | 2 |
| 14 | 95.05 | .WASHER, FLAT 5/16 SAE | 3 |
| 15 | 99.M0005 | .BOLT, M8 X 1.25 P X 20MM LONG | 3 |
| 16 | 13.0258 | .STUB SHAFT, PUMP DRIVE KUB (Serial # 01001-08721) | 1 |
| 17 | 85.K0408 | .KEY, 1/4 X 1 (Serial # 01001-08721) | 1 |
| 18 | 44.0322 | .CANVAS, DEBRIS BARRIER | 1 |

ENGINES

ILLUSTRATED DRAWING 4500Y Kubota Diesel Muffler



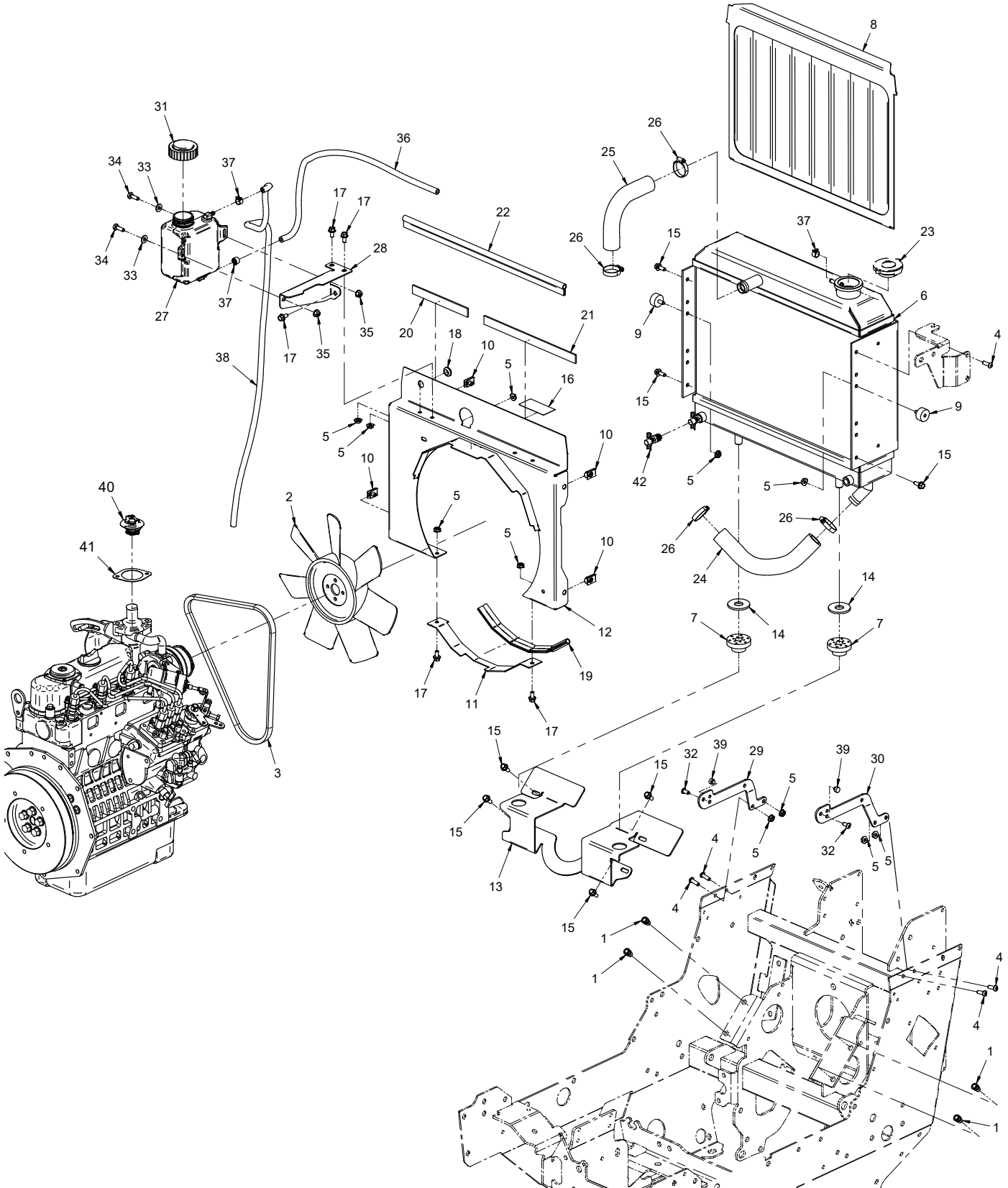
ENGINES

4500Y Kubota Diesel Muffler

| REF. | PART NO. | DESCRIPTION | QTY. |
|------|----------------|--|------|
| 1 | 13.15263-12371 | .GASKET, MUFFLER | 1 |
| 2 | 13.0243 | .MUFFLER, KUBOTA 25 HP DSL | 1 |
| 3 | 64.1743 | .MOUNT, MUFFLER | 1 |
| 4 | 64.1744 | .BRACKET, MUFFLER MOUNT | 1 |
| 5 | 99.SF05 | .NUT, SRF 5/16-18 USS | 5 |
| 6 | 95.05 | .WASHER, FLAT 5/16 SAE | 13 |
| 7 | 99.M0005 | .BOLT, M8 X 1.25 P X 20MM LONG | 3 |
| 8 | 60.1164-1 | .SHIELD, EX MANIFLD W/HEAT TAPE | 1 |
| 9 | 44.0316 | .INSULATION, MUFFLER 13.0243 | 1 |
| 10 | 96.05 | .WASHER, LOCK 5/16 | 4 |
| 11 | 99.M0008 | .NUT, M8 X 1.25MM ZP | 4 |
| 12 | 04.0020 | .SNAP, STUD 3/8 X 9/16 SS | 2 |
| 13 | 04.0032 | .RIVET, POP 1/8" X 1/2" (Serial # 01001-02571) | 2 |
| 13 | 99.K0060 | .MACHINE SCREW, #6-32 X 3/4 (Serial # 02572) | 2 |
| 14 | 99.M0032 | .BOLT, M8 X 1.25 X 30MM | 2 |
| 15 | 90.0506 | .BOLT, 5/16-18 USS X 3/4" | 3 |
| 16 | 90.0508 | .BOLT, 5/16-18 USS X 1" | 5 |
| 17 | 99.E0085 | .LOCKNUT, NYLON #6-32 (Serial # 02572) | 2 |
| 18 | 13.0307 | .TUBE, SPARK ARRESTOR 1.5" | 1 |

ENGINES

ILLUSTRATED DRAWING 4500Y Kubota Diesel Cooling System



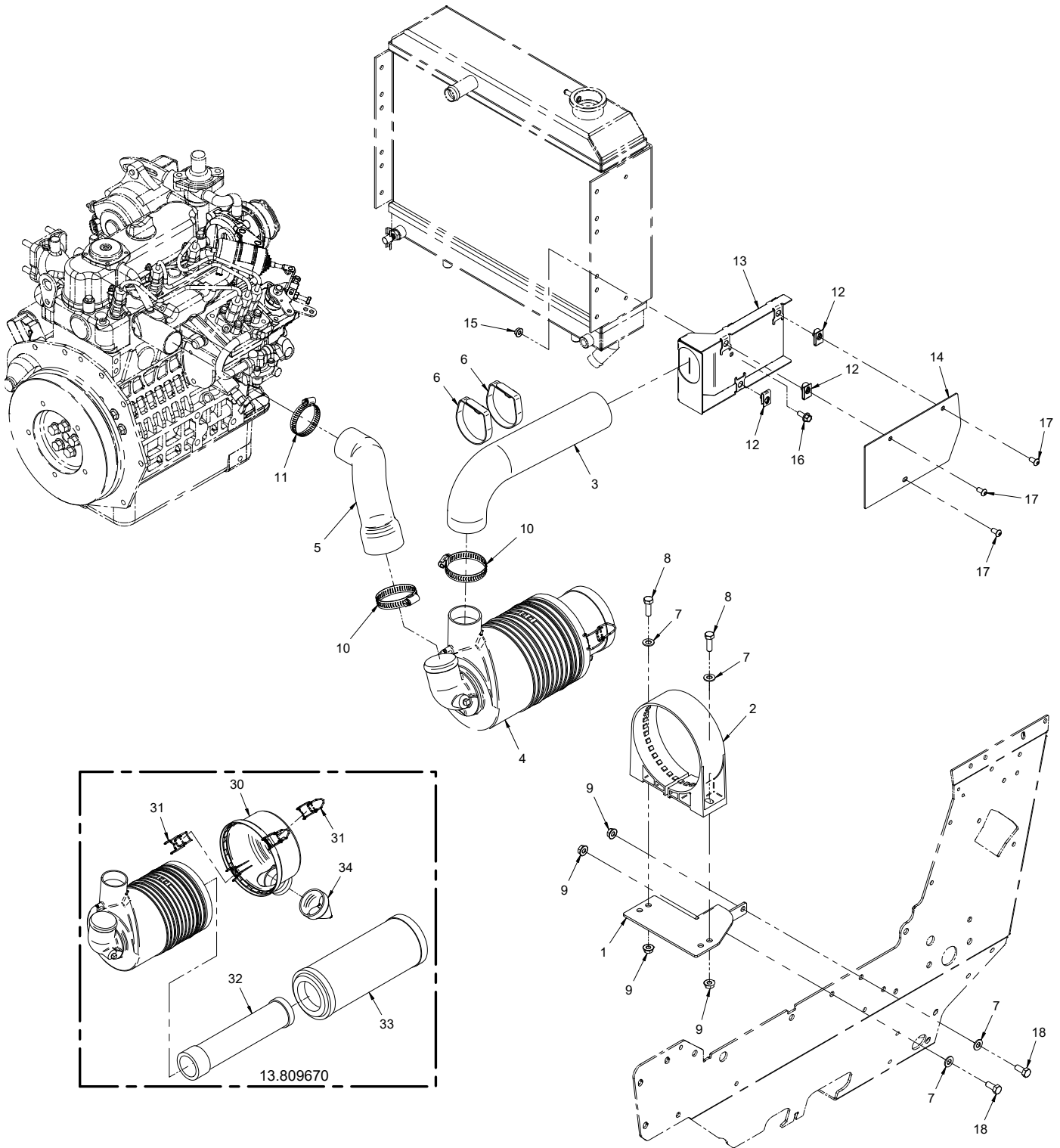
ENGINES

4500Y Kubota Diesel Cooling System

| REF. | PART NO. | DESCRIPTION | QTY. |
|------|----------------|--|------|
| 1 | 99.E0105 | .NUT, INSERT 1/4-20 HEX | 4 |
| 2 | 13.17525-74111 | .FAN, COOLING 310MM SUCTION | 1 |
| 3 | 13.17472-97010 | .V BELT, FM35.0 IN | 1 |
| 4 | 99.0406 | .BOLT, 1/4-20 X 3/4 BSCS | 5 |
| 5 | 99.SF04 | .NUT, SRF 1/4-20 USS | 11 |
| 6 | 47.0302 | .RADIATOR, KN KUBOTA (includes cap) | 1 |
| 7 | 05.0107 | .ISOLATOR, 9/16 ID X 1-29/32 OD | 2 |
| 8 | 64.1620 | .SCREEN, RADIATOR - 47.0302 | 1 |
| 9 | 05.0135 | .ISOLATOR, 1/4-20 X 1/2 X 1" F/M | 2 |
| 10 | 99.E0046 | .NUT, "U" 1/4-20 EXTRUDED | 4 |
| 11 | 64.1622 | .BRACKET, RADIATOR SHROUD | 1 |
| 12 | 60.1139 | .SHROUD, RADIATOR - 47.0302 | 1 |
| 13 | 64.1621 | .BRACKET, RADIATOR MOUNT BOTTOM | 1 |
| 14 | 94.10 | .WASHER, FLAT 5/8 USS | 2 |
| 15 | 99.SF0405-1 | .BOLT, SMF 1/4-20 X 5/8 | 7 |
| 16 | 00.0341 | .DECAL, WARNING FAN (Serial # 01001-14497) | 1 |
| 16 | 00.0638 | .DECAL, FAN BLADE HAZARD (Serial # 14498-) | 1 |
| 17 | 99.SF0404-1 | .BOLT, SMF 1/4-20 X 1/2 | 5 |
| 18 | 05.0136 | .GROMMET, 7/16ID, 3/4OD, 1/4THK | 1 |
| 19 | 06.0043-10IN | .TRIM, TRIM SEAL W/ BULB X 10" | 1 |
| 20 | 06.0045-6IN | .WEATHERSTRIP, 1/8 X 3/4 X 6" | 1 |
| 21 | 06.0045-10IN | .WEATHERSTRIP, 1/8 X 3/4 X 10" | 1 |
| 22 | 06.0043-17.5IN | .TRIM, TRIM SEAL W/ BULB X 17-1/2" | 1 |
| 23 | 47.0334 | .CAP, RADIATOR 14# | 1 |
| 24 | 13.0263 | .HOSE, RADIATOR LOWER KUBOTA | 1 |
| 25 | 13.0262 | .HOSE, RADIATOR UPPER KUBOTA | 1 |
| 26 | 11.0052 | .CLAMP, HOSE SS 13/16 X 1-1/2 | 4 |
| 27 | 47.0317 | .TANK, COOLANT RECOVER | 1 |
| 28 | 64.1640 | .BRACKET, COOLANT RECOVERY TANK | 1 |
| 29 | 64.1629 | .BRACKET, RADIATOR MOUNT RIGHT | 1 |
| 30 | 64.1642 | .BRACKET, RADIATOR MOUNT LEFT | 1 |
| 31 | 47.0319 | .CAP, COOLANT RECOVERY TANK | 1 |
| 32 | 99.0404 | .BOLT, 1/4-20 X 1/2 BSCS | 2 |
| 33 | 95.04 | .WASHER, FLAT 1/4 SAE | 2 |
| 34 | 90.0406 | .BOLT, 1/4-20 USS X 3/4" | 2 |
| 35 | 99.E0101 | .NUT, LOCKING FLANGE 1/4-20 | 2 |
| 36 | 27.A04-21IN | .HOSE, NEOP BLACK 1/4 X 7/16 X 21" | 1 |
| 37 | 11.0049 | .CLAMP, HOSE BAND 1/2" OD HOSE | 3 |
| 38 | 27.A04-36IN | .HOSE, NEOP BLACK 1/4 X 7/16 X 36" | 1 |
| 39 | 05.0120 | .BUMPER, NEOPRENE 10 GA - 1/4 | 2 |
| 40 | 13.19434-73014 | .THERMOSTAT, 160A° KUBOTA (Serial # 01001-03761) | 1 |
| 40 | 13.15321-73016 | .THERMOSTAT, 180A° KUBOTA (Serial # 03762-) | 1 |
| 41 | 13.16221-73270 | .GASKET, THERMOSTAT | 1 |
| 42 | 47.0488 | .PETCOCK VALVE, RADIATOR DRAIN | 1 |

ENGINES

ILLUSTRATED DRAWING 4500Y Kubota Diesel Air Intake



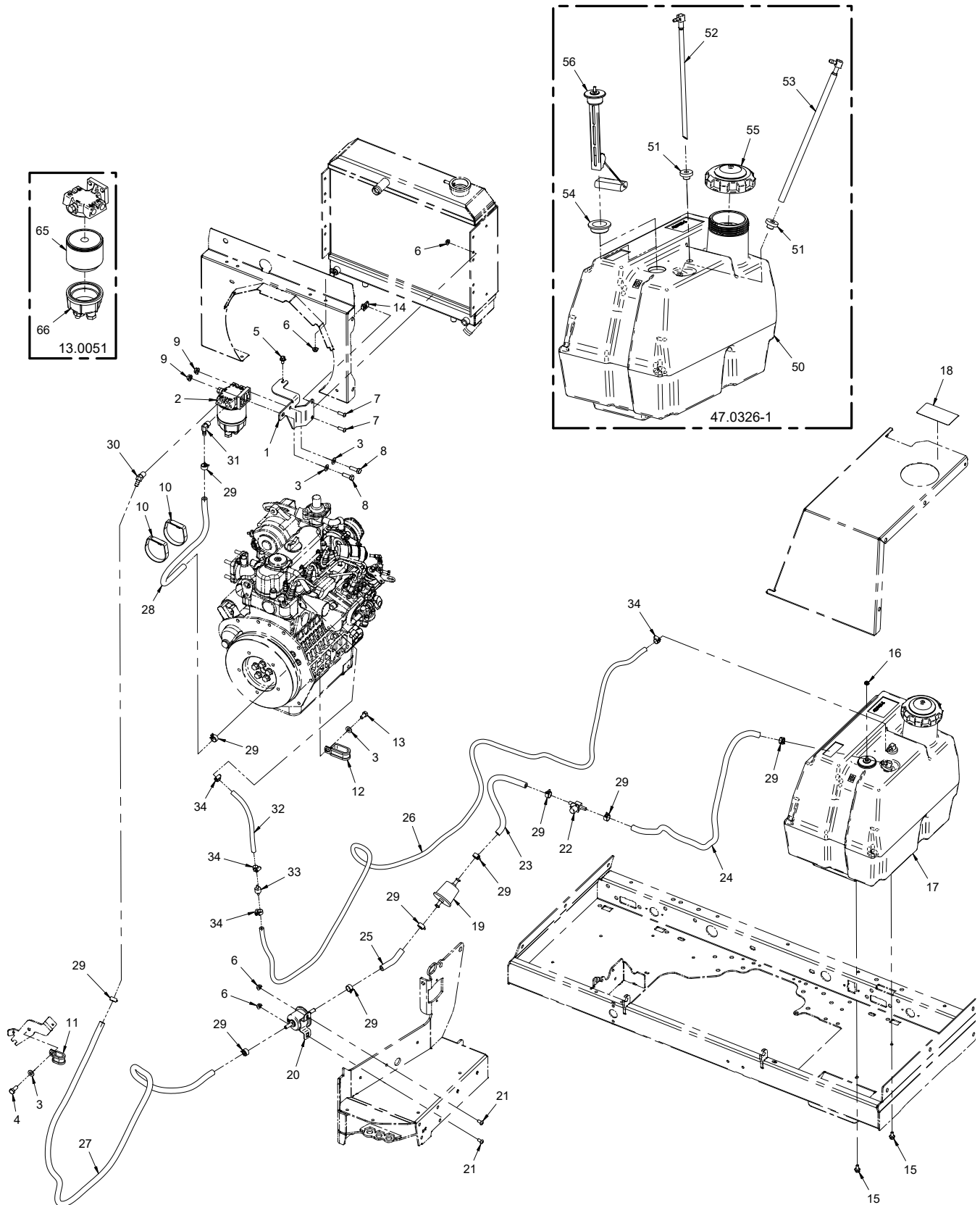
ENGINES

4500Y Kubota Diesel Air Intake

| REF. | PART NO. | DESCRIPTION | QTY. |
|------|-------------|---------------------------------|------|
| 1 | 64.1643 | .BRACKET, AIR FILTER MOUNT | 1 |
| 2 | 13.0231 | .CLAMP, AIR FILTER 5" PLASTIC | 1 |
| 3 | 14.0026-5 | .HOSE, AIR CLEANER | 1 |
| 4 | 13.809670 | .CLEANER, AIR ASM. | 1 |
| 5 | 13.0274 | .HOSE, INTAKE 4500Y | 1 |
| 6 | 30.0411 | .VELCRO, CABLE TIE | 2 |
| 7 | 95.05 | .WASHER, FLAT 5/16 SAE | 4 |
| 8 | 90.0508 | .BOLT, 5/16-18 USS X 1" | 2 |
| 9 | 99.SF05 | .NUT, SRF 5/16-18 USS | 4 |
| 10 | 11.0044 | .CLAMP, HOSE S/S 1-9/16- 2-1/2 | 2 |
| 11 | 11.0043 | .CLAMP, HOSE S/S 1-5/16 - 2-1/4 | 1 |
| 12 | 99.E0046 | .NUT, "U" 1/4-20 EXTRUDED | 3 |
| 13 | 60.1161 | .BAFFLE, AIR INLET | 1 |
| 14 | 60.1162 | .COVER, AIR INLET | 1 |
| 15 | 99.SF04 | .NUT, SRF 1/4-20 USS | 1 |
| 16 | 99.SF0405-1 | .BOLT, SMF 1/4-20 X 5/8 | 1 |
| 17 | 99.0406 | .BOLT, 1/4-20 X 3/4 BSCS | 3 |
| 18 | 90.0506 | .BOLT, 5/16-18 USS X 3/4" | 2 |
| 30 | 13.533761 | .CLEANER, AIR ASM - KUBOTA CAP | 1 |
| 31 | 13.538928 | .LATCH | 2 |
| 32 | 13.0061 | .FILTER, AIR-ELEMENT SAFETY | 1 |
| 33 | 13.0060 | .FILTER, AIR-ELEMENT PRIMARY | 1 |
| 34 | 13.522958 | .VALVE, DRAIN | 1 |

ENGINES

ILLUSTRATED DRAWING 4500Y Kubota Diesel Fuel System



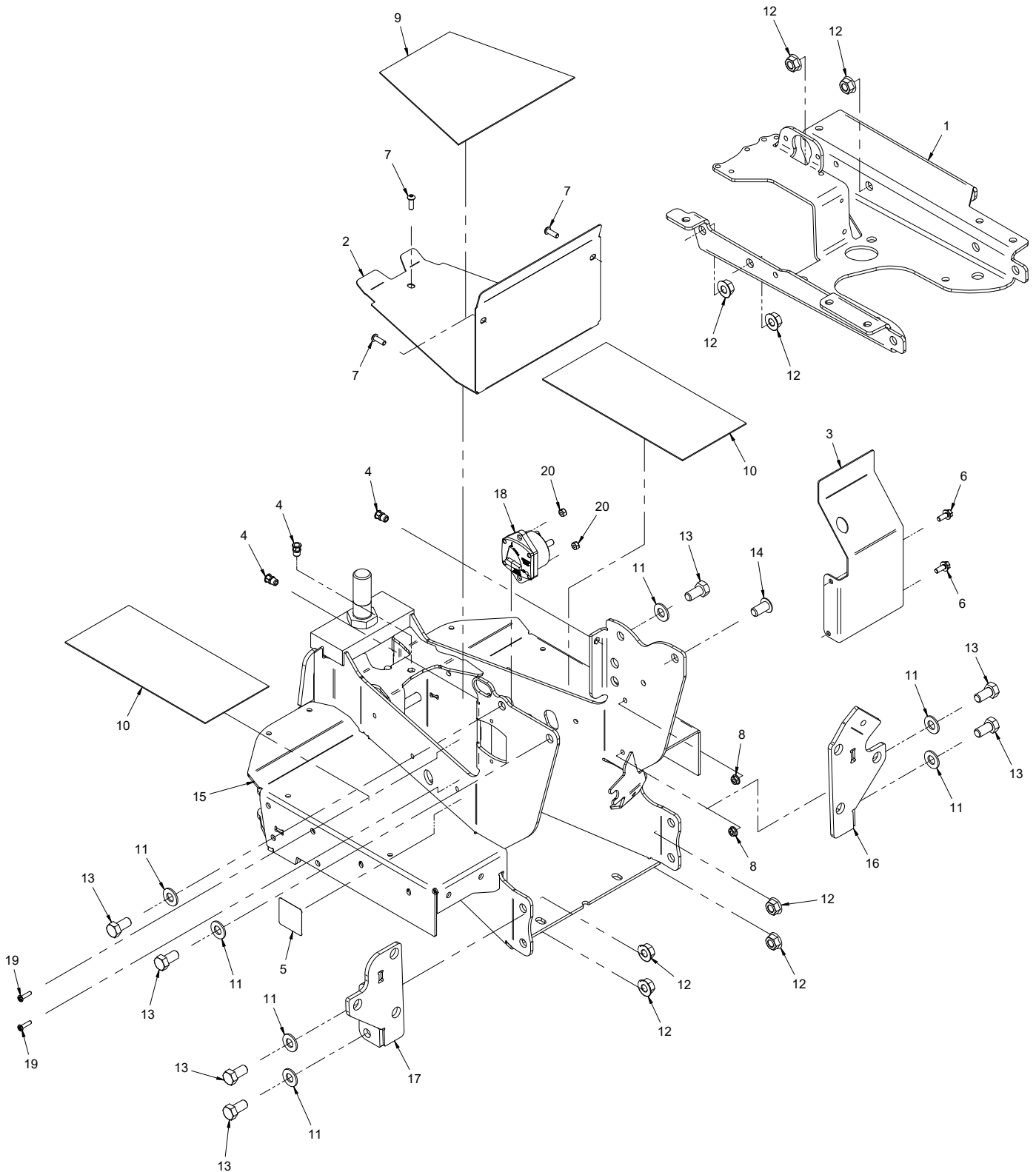
ENGINES

4500Y Kubota Diesel Fuel System

| REF. | PART NO. | DESCRIPTION | QTY. |
|------|-----------------|--|------|
| 1 | 64.1687 | .MOUNT, FUEL FILTER | 1 |
| 2 | 13.0051 | .FILTER, FUEL ASSEMBLY (RACOR) | 1 |
| 3 | 95.05 | .WASHER, FLAT 5/16 SAE | 4 |
| 4 | 99.M0005 | .BOLT, M8 X 1.25 P X 20MM LONG | 1 |
| 5 | 99.SF0404 | .BOLT, SRF 1/4-20 X 1/2 | 1 |
| 6 | 99.SF04 | .NUT, SRF 1/4-20 USS | 4 |
| 7 | 99.0406 | .BOLT, 1/4-20 X 3/4 BSCS | 2 |
| 8 | 90.0508 | .BOLT, 5/16-18 USS X 1" | 2 |
| 9 | 99.SF05 | .NUT, SRF 5/16-18 USS | 2 |
| 10 | 30.0411 | .VELCRO, CABLE TIE | 2 |
| 11 | 11.0046 | .CLAMP, CUSHIONED METAL 1/2" | 1 |
| 12 | 11.0071 | .CLAMP, CUSHIONED METAL 3/4" | 1 |
| 13 | 99.M0014 | .BOLT, M8 X 1.25 X 16MM | 1 |
| 14 | 99.E0046 | .NUT, "U" 1/4-20 EXTRUDED | 1 |
| 15 | 99.SF0404-1 | .BOLT, SMF 1/4-20 X 1/2 | 2 |
| 16 | 99.E0049 | .NUT, WASHER #10-32 (STAR NUT) | 1 |
| 17 | 47.0326-1 | .TANK, ASM 4500 DIESEL | 1 |
| 18 | 00.0333 | .DECAL, DIESEL ONLY (Serial # 01001-14497) | 1 |
| 18 | 00.0637 | .DECAL, DIESEL SAFETY (Serial # 14498-) | 1 |
| 19 | 13.0053 | .FILTER, FUEL - IN LINE 5/16" | 1 |
| 20 | 13.0270 | .PUMP, FUEL KUB - Y | 1 |
| 21 | 99.0404 | .BOLT, 1/4-20 X 1/2 BSCS | 2 |
| 22 | 47.0328 | .VALVE, FUEL SHUT OFF 5/16" | 1 |
| 23 | 27.F05-13.75IN | .HOSE, FUEL LINE X 5/16" X 13-3/4" | 1 |
| 24 | 27.F05-26IN | .HOSE, FUEL LINE X 5/16" X 26" | 1 |
| 25 | 27.F05-2.25IN | .HOSE, FUEL LINE X 5/16" X 2-1/4" | 1 |
| 26 | 27.F03-103IN | .HOSE, FUEL LINE X 3/16" X 103" | 1 |
| 27 | 27.F05-69IN | .HOSE, FUEL LINE X 5/16" X 69" | 1 |
| 28 | 27.F05-17IN | .HOSE, FUEL LINE X 5/16" X 17" | 1 |
| 29 | 11.0048 | .CLAMP, HOSE BAND 9/16" OD HOSE | 10 |
| 30 | 29.BF05MP0445-1 | .FITTING, 5/16 BARB X 1/4 MP 45 | 1 |
| 31 | 29.BF05MP0490 | .FITTING, 5/16 BARB X 1/4 MP 90 | 1 |
| 32 | 27.F03-8IN | .HOSE, FUEL LINE X 3/16" X 8" | 1 |
| 33 | 13.1C010-42460 | .VALVE, FUEL CHECK | 1 |
| 34 | 11.0038 | .CLAMP, HOSES S/S 7/32 - 5/8 | 4 |
| 50 | N/A | .TANK, FUEL 4500 DIESEL | 1 |
| 51 | 05.0133 | .GROMMET, TANK FITTING | 2 |
| 52 | 29.0095 | .FITTING, TANK 3/16 RETURN | 1 |
| 53 | 29.0097 | .FITTING, TANK 5/16 WITHDRAW | 1 |
| 54 | 05.0134 | .GROMMET, TANK FUEL SENDER | 1 |
| 55 | 47.0414 | .CAP, DIESEL 3-1/2" VENTED | 1 |
| 56 | 35.0120 | .SENDING UNIT, FUEL | 1 |
| 65 | 13.0220 | .FILTER, FUEL ELEMENT | 1 |
| 66 | 13.0051-1 | .BOWL, FILTER W/DRAIN & PLUG | 1 |

FRAMES / SHEET METAL

ILLUSTRATED DRAWING Lower Rear Frame



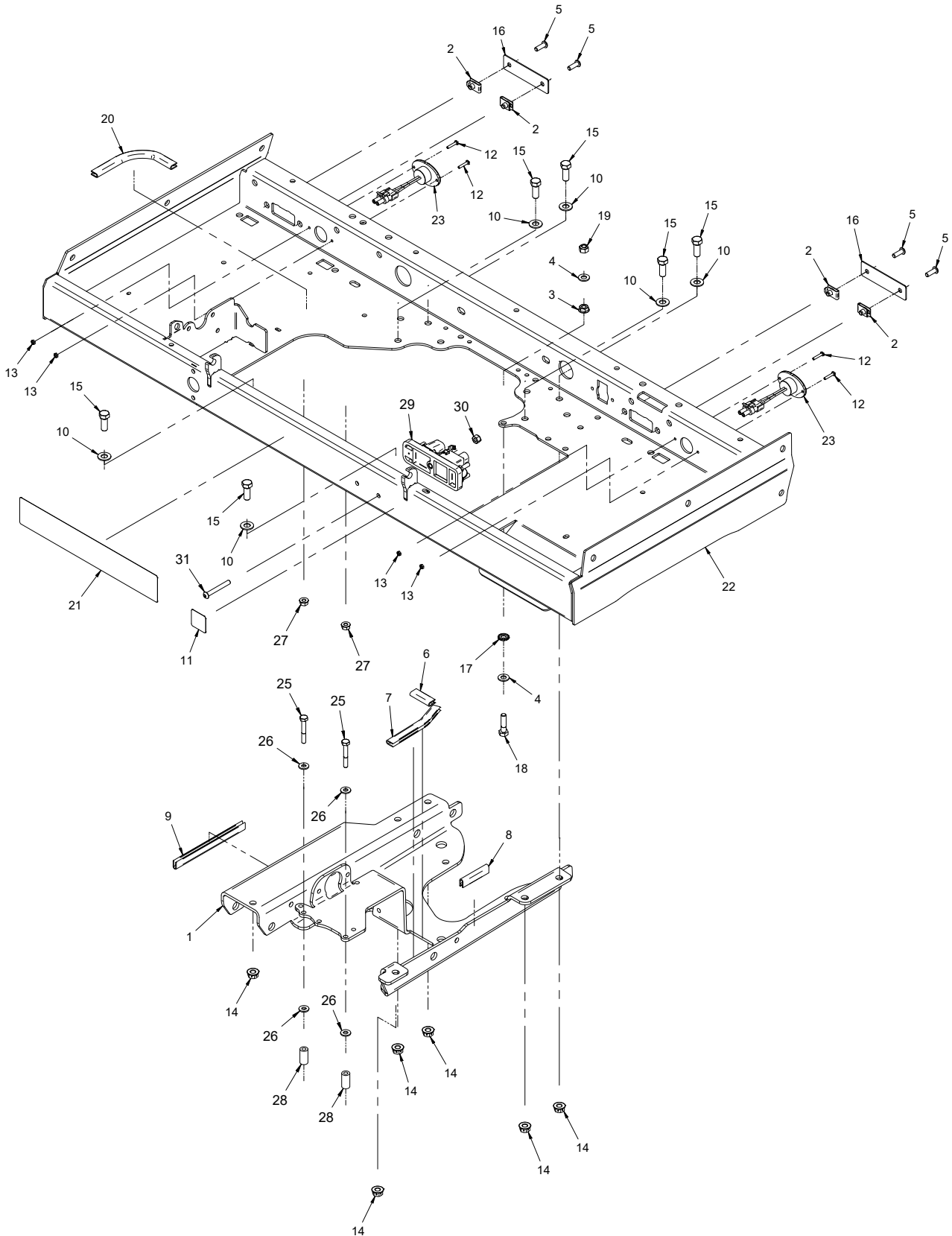
FRAMES / SHEET METAL

Lower Rear Frame

| REF. | PART NO. | DESCRIPTION | QTY. |
|------|-------------|---|------|
| 1 | 62.1368 | .FRAME, REAR UPPER (Serial # 01001-01374) | 1 |
| 1 | 62.1394 | .FRAME, REAR UPPER (Serial # 01375-) | 1 |
| 2 | 60.1118 | .COVER, REAR LOWER FRAME | 1 |
| 3 | 60.1119 | .PANEL, FOOT PLATFORM RIGHT | 1 |
| 4 | 99.E0105 | .NUT, INSERT 1/4-20 HEX | 3 |
| 5 | 00.0315 | .DECAL, BATTERY DISCONNECT | 1 |
| 6 | 99.SF0405-1 | .BOLT, SMF 1/4-20 X 5/8 | 2 |
| 7 | 99.0406 | .BOLT, 1/4-20 X 3/4 BSCS | 3 |
| 8 | 99.SF04 | .NUT, SRF 1/4-20 USS | 2 |
| 9 | 44.0220 | .FLEX TREAD, TUNNEL COVER | 1 |
| 10 | 44.0331 | .FLEX TREAD, FOOT PLATFORM KN | 2 |
| 11 | 95.08 | .WASHER, FLAT 1/2 SAE | 7 |
| 12 | 99.SF08 | .NUT, SRF 1/2-13 USS | 8 |
| 13 | 90.0808 | .BOLT, 1/2-13 USS X 1 | 7 |
| 14 | 99.0808 | .BOLT, 1/2-13 X 1 BSCS | 1 |
| 15 | 62.1369 | .FRAME, REAR LOWER | 1 |
| 16 | 64.1595 | .BRACKET, TRANSAXLE MOUNT RIGHT | 1 |
| 17 | 64.1594 | .BRACKET, TRANSAXLE MOUNT LEFT | 1 |
| 18 | 30.0338 | .BREAKER, CIRCUIT 150 AMP | 1 |
| 19 | 99.K0047 | .MACHINE SCREW, #10-32 X 3/4 | 2 |
| 20 | 99.A1032N | .LOCKNUT, NYLON 10-32 STAINLESS | 2 |

FRAMES / SHEET METAL

ILLUSTRATED DRAWING Seat Box & Upper Rear Frame



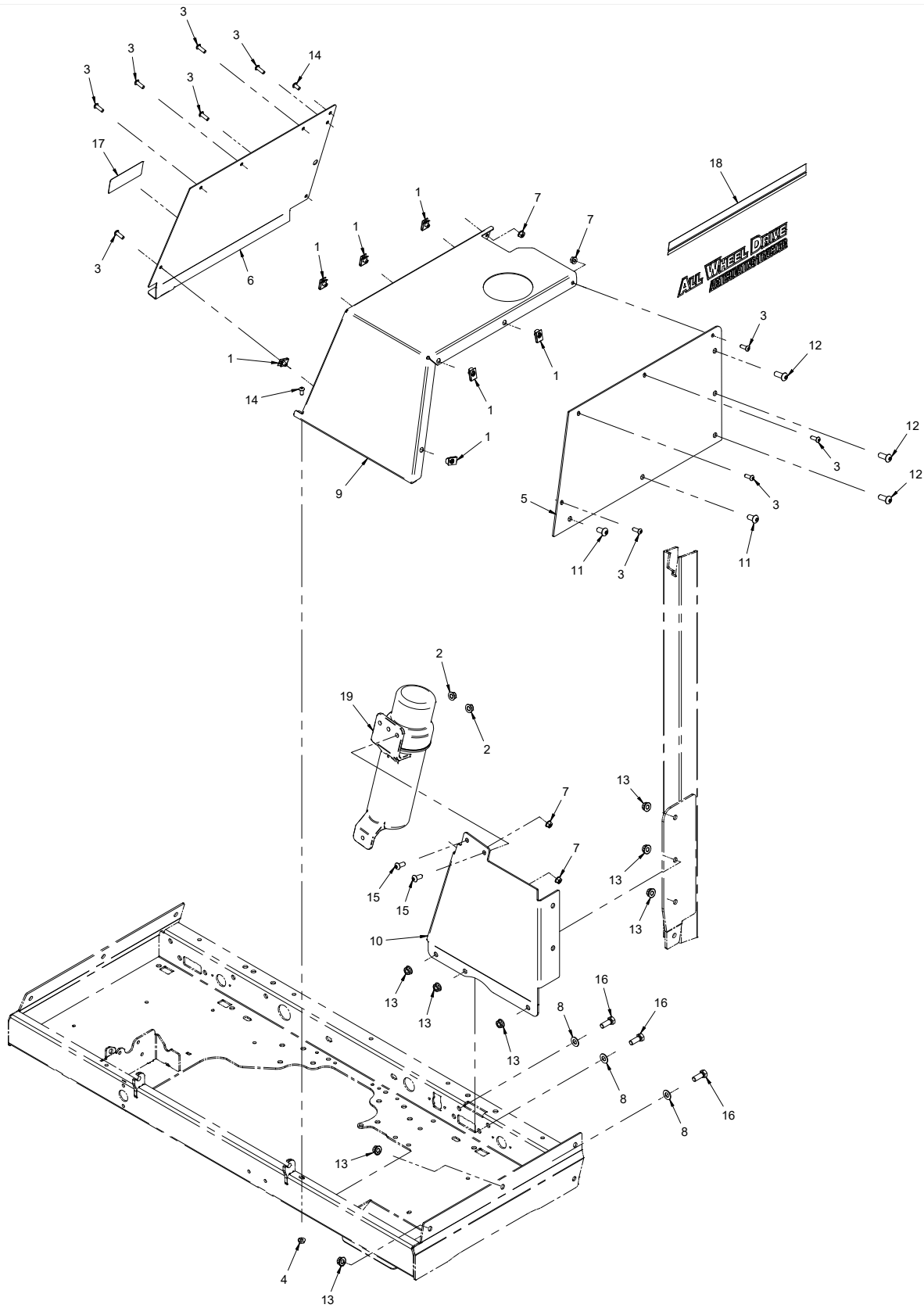
FRAMES / SHEET METAL

Seat Box & Upper Rear Frame

| REF. | PART NO. | DESCRIPTION | QTY. |
|------|----------------|---|------|
| 1 | 62.1368 | .FRAME, REAR UPPER (Serial # 01001-01374) | 1 |
| 1 | 62.1394 | .FRAME, REAR UPPER (Serial # 01375-) | 1 |
| 2 | 99.E0046 | .NUT, "U" 1/4-20 EXTRUDED | 4 |
| 3 | 99.SF05 | .NUT, SRF 5/16-18 USS | 5 |
| 4 | 95.05 | .WASHER, FLAT 5/16 SAE | 6 |
| 5 | 99.0406 | .BOLT, 1/4-20 X 3/4 BSCS | 4 |
| 6 | 06.0050-1.63IN | .TRIM, TRIM LOC 1/2 X 3/16 X 1-5/8" | 1 |
| 7 | 06.0050-4.5IN | .TRIM, TRIM LOC 1/2 X 3/16 X 4-1/2" | 1 |
| 8 | 06.0050-2.25IN | .TRIM, TRIM LOC 1/2 X 3/16 X 2-1/4" | 1 |
| 9 | 06.0050-6IN | .TRIM, TRIM LOC 1/2 X 3/16 X 6" | 1 |
| 10 | 95.06 | .WASHER, FLAT 3/8 SAE | 6 |
| 11 | 00.0334 | .DECAL, FUEL ON/OFF | 1 |
| 12 | 99.K0060 | .MACHINE SCREW, #6-32 X 3/4 | 4 |
| 13 | 99.E0085 | .LOCKNUT, NYLON #6-32 | 4 |
| 14 | 99.E0082 | .NUT, LOCKING FLANGE 3/8-16 | 6 |
| 15 | 90.0608 | .BOLT, 3/8-16 USS X 1 | 6 |
| 16 | 60.1174 | .COVER, OPT. LIGHT KIT HOLE | 2 |
| 17 | 99.G0003 | .WASHER, STAR-EXTERNAL 5/16 | 1 |
| 18 | 90.0510 | .BOLT, 5/16-18 USS X 1-1/4" | 1 |
| 19 | 99.A05N | .LOCKNUT, NYLON 5/16-18 USS | 1 |
| 20 | 06.0050-6IN | .TRIM, TRIM LOC 1/2 X 3/16 X 6" | 1 |
| 21 | 00.0336 | .DECAL, SAFETY 4500 | 1 |
| 22 | 62.1370 | .FRAME, SEATBOX | 1 |
| 23 | 33.0061 | .LIGHT, MARKER RED OVAL | 2 |
| 25 | 90.0414 | .BOLT, 1/4-20 USS X 1-3/4" | 2 |
| 26 | 95.04 | .WASHER, FLAT 1/4 SAE | 4 |
| 27 | 99.E0101 | .NUT, LOCKING FLANGE 1/4-20 | 2 |
| 28 | 05.0065 | .SPACER, 1/4 ID X 1/2 OD X 1 LG | 2 |
| 29 | 30.0339 | .MODULE, POWER RELAY | 1 |
| 30 | 99.A04N | .LOCKNUT, NYLON 1/4-20 | 1 |
| 31 | 99.0416 | .BOLT, 1/4-20 X 2 BSCS | 1 |

FRAMES / SHEET METAL

ILLUSTRATED DRAWING Left Seat Box Panels



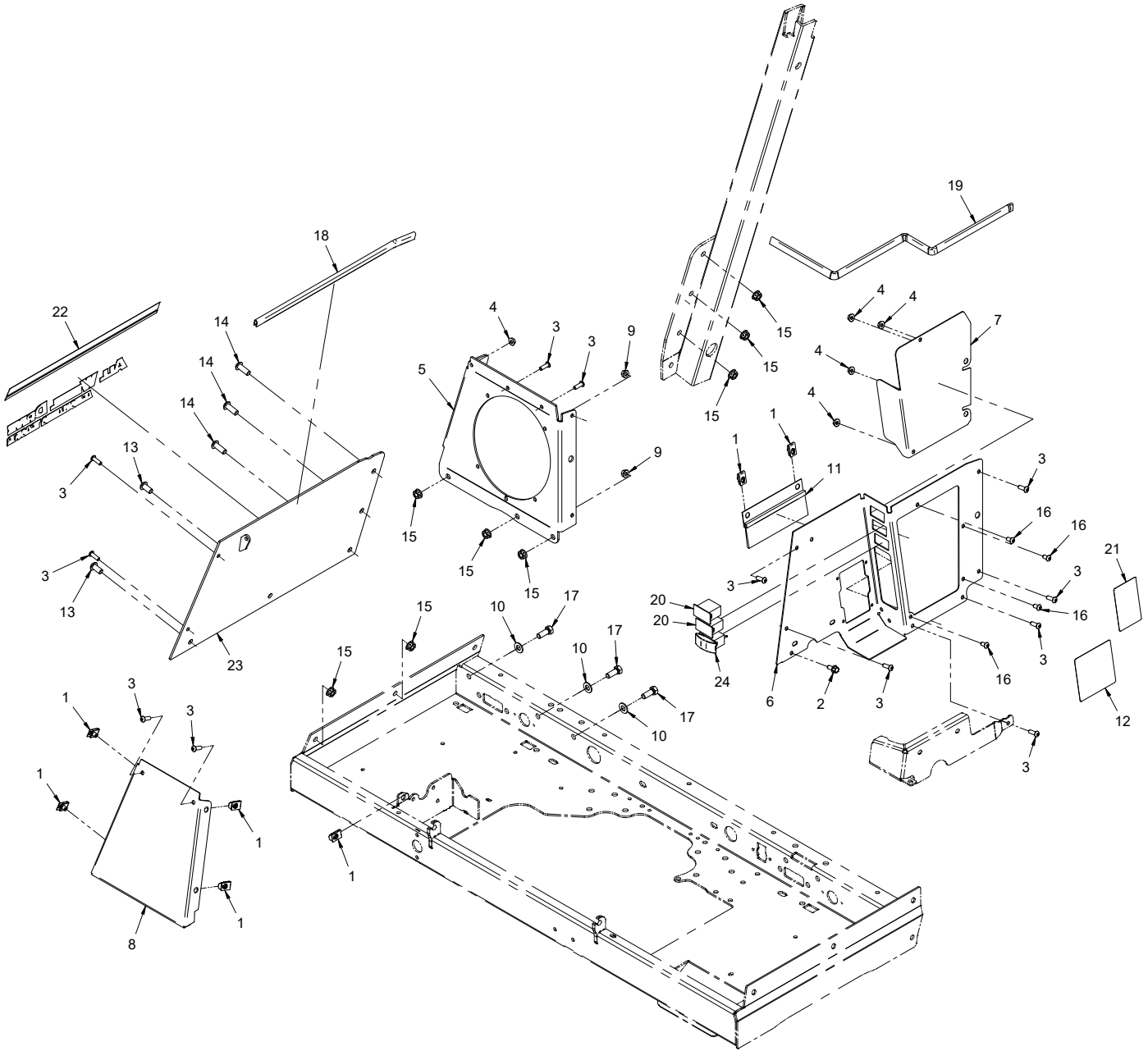
FRAMES / SHEET METAL

Left Seat Box Panels

| REF. | PART NO. | DESCRIPTION | QTY. |
|------|----------|---|------|
| 1 | 99.E0046 | .NUT, "U" 1/4-20 EXTRUDED | 7 |
| 2 | 99.E0102 | .NUT, LOCKING FLANGE 5/16-18 | 2 |
| 3 | 99.0406 | .BOLT, 1/4-20 X 3/4 BSCS | 10 |
| 4 | 99.SF04 | .NUT, SRF 1/4-20 USS | 1 |
| 5 | 60.1148 | .PANEL, SEATBOX LEFT | 1 |
| 6 | 60.1125 | .COVER, FUEL TANK INNER | 1 |
| 7 | 99.E0101 | .NUT, LOCKING FLANGE 1/4-20 | 4 |
| 8 | 95.06 | .WASHER, FLAT 3/8 SAE | 3 |
| 9 | 60.1123 | .COVER, FUEL TANK MAIN | 1 |
| 10 | 60.1149 | .PANEL, SEATBOX REAR LEFT | 1 |
| 11 | 99.0606 | .BOLT, 3/8-16 X 3/4 BSCS | 2 |
| 12 | 99.0608 | .BOLT, 3/8-16 X 1 BSCS | 3 |
| 13 | 99.E0082 | .NUT, LOCKING FLANGE 3/8-16 | 8 |
| 14 | 99.0404 | .BOLT, 1/4-20 X 1/2 BSCS | 2 |
| 15 | 99.0506 | .BOLT, 5/16-18 X 3/4 BSCS | 2 |
| 16 | 90.0608 | .BOLT, 3/8-16 USS X 1 | 3 |
| 17 | 00.0345 | .DECAL, DANGER BATTERY (Serial # 01001-14497) | 1 |
| 17 | 00.0629 | .DECAL, BATTERY HAZARD (Serial # 14498-) | 1 |
| 18 | 00.0301 | .DECAL, REAR LEFT | 1 |
| 19 | 47.0323 | .CONTAINER, MANUAL HOLDER | 1 |

FRAMES / SHEET METAL

ILLUSTRATED DRAWING Right Seat Box Panels



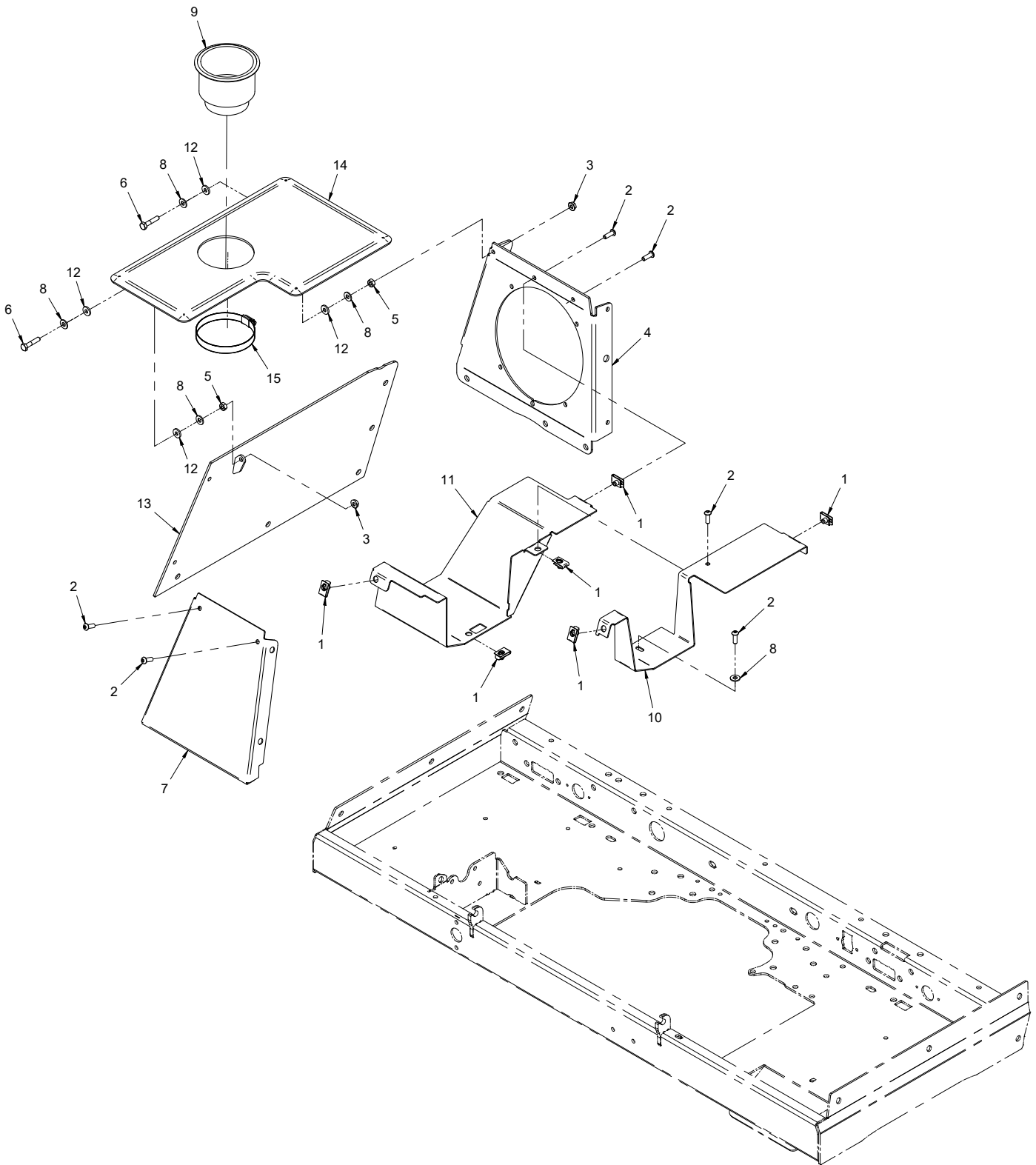
FRAMES / SHEET METAL

Right Seat Box Panels

| REF. | PART NO. | DESCRIPTION | QTY. |
|------|----------------|--------------------------------------|------|
| 1 | 99.E0046 | .NUT, "U" 1/4-20 EXTRUDED | 7 |
| 2 | 99.SF0405-1 | .BOLT, SMF 1/4-20 X 5/8 | 1 |
| 3 | 99.0406 | .BOLT, 1/4-20 X 3/4 BSCS | 12 |
| 4 | 99.SF04 | .NUT, SRF 1/4-20 USS | 5 |
| 5 | 60.1150 | .PANEL, SEATBOX REAR RIGHT | 1 |
| 6 | 60.1124 | .PANEL, TOOLBOX INNER | 1 |
| 7 | 64.1596 | .SCREEN, HYD. OIL COOLER | 1 |
| 8 | 60.1128 | .PANEL, TOOLBOX FRONT BASIC | 1 |
| 9 | 99.E0101 | .NUT, LOCKING FLANGE 1/4-20 | 2 |
| 10 | 95.06 | .WASHER, FLAT 3/8 SAE | 3 |
| 11 | 79.0093 | .BRUSH, SIDE PANEL W/HOLDER | 1 |
| 12 | 00.0316 | .DECAL, SDLA | 1 |
| 13 | 99.0606 | .BOLT, 3/8-16 X 3/4 BSCS | 2 |
| 14 | 99.0608 | .BOLT, 3/8-16 X 1 BSCS | 3 |
| 15 | 99.E0082 | .NUT, LOCKING FLANGE 3/8-16 | 8 |
| 16 | 99.0404 | .BOLT, 1/4-20 X 1/2 BSCS | 4 |
| 17 | 90.0608 | .BOLT, 3/8-16 USS X 1 | 3 |
| 18 | 06.0050-16.5IN | .TRIM, TRIM LOC 1/2 X 3/16 X 16-1/2" | 1 |
| 19 | 06.0042-24.5IN | .TRIM, TRIM LOC 1/2 X 1/16 X 24-1/2" | 1 |
| 20 | 05.0131 | .PLUG, SWITCH OTTO K5 | 2 |
| 21 | 00.0306 | .DECAL, REAR CONTROL | 1 |
| 22 | 00.0302 | .DECAL, REAR RIGHT | 1 |
| 23 | 60.1147 | .PANEL, SEATBOX RIGHT | 1 |
| 24 | 31.0053 | .SWITCH, ROCKER ON/OFF | 1 |

FRAMES / SHEET METAL

ILLUSTRATED DRAWING Tool Box Lid & Liner Panels



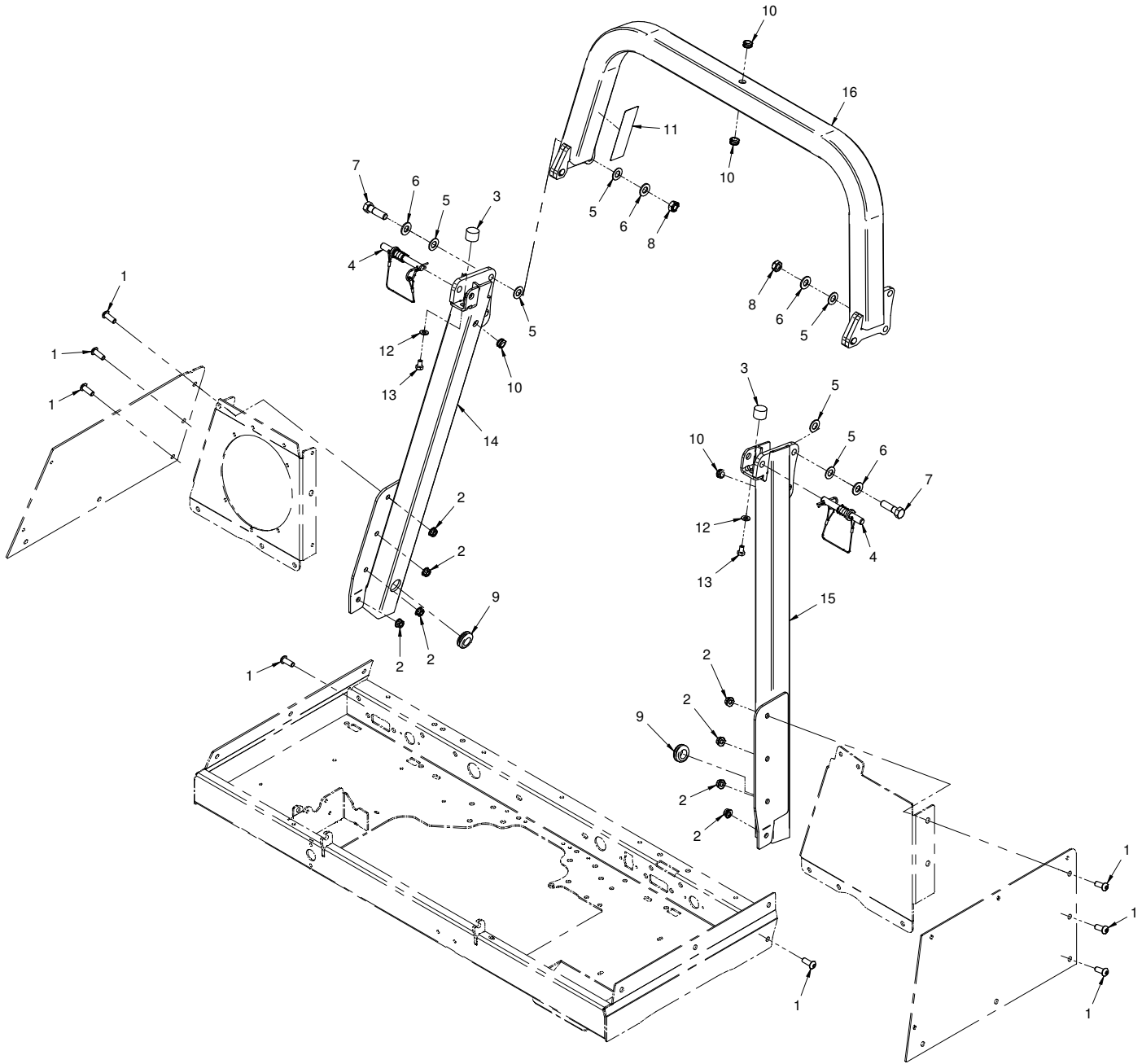
FRAMES / SHEET METAL

Tool Box Lid & Liner Panels

| REF. | PART NO. | DESCRIPTION | QTY. |
|------|----------|---|------|
| 1 | 99.E0046 | .NUT, "U" 1/4-20 EXTRUDED | 6 |
| 2 | 99.0406 | .BOLT, 1/4-20 X 3/4 BSCS | 6 |
| 3 | 99.SF04 | .NUT, SRF 1/4-20 USS | 2 |
| 4 | 60.1150 | .PANEL, SEATBOX REAR RIGHT | 1 |
| 5 | 92.04 | .NUT, 1/4-20 USS | 2 |
| 6 | 90.0410 | .BOLT, 1/4-20 USS X 1/1-4" | 2 |
| 7 | 60.1128 | .PANEL, TOOLBOX FRONT BASIC | 1 |
| 8 | 95.04 | .WASHER, FLAT 1/4 SAE | 5 |
| 9 | 47.0185 | .HOLDER, CUP 3.586 OD X 3-1/4 DP | 1 |
| 10 | 60.1152 | .PANEL, TOOLBOX LINER LEFT | 1 |
| 11 | 60.1153 | .PANEL, TOOLBOX LINER RIGHT | 1 |
| 12 | 05.0126 | .WASHER, NEOPRENE 1/4 X 5/8 | 4 |
| 13 | 60.1147 | .PANEL, SEATBOX RIGHT | 1 |
| 14 | 60.1126 | .COVER, TOOLBOX | 1 |
| 15 | 11.0077 | .CLAMP, HOSE 3-1/16" - 4" (Serial # 03012-) | 1 |

FRAMES / SHEET METAL

ILLUSTRATED DRAWING Roll Bar



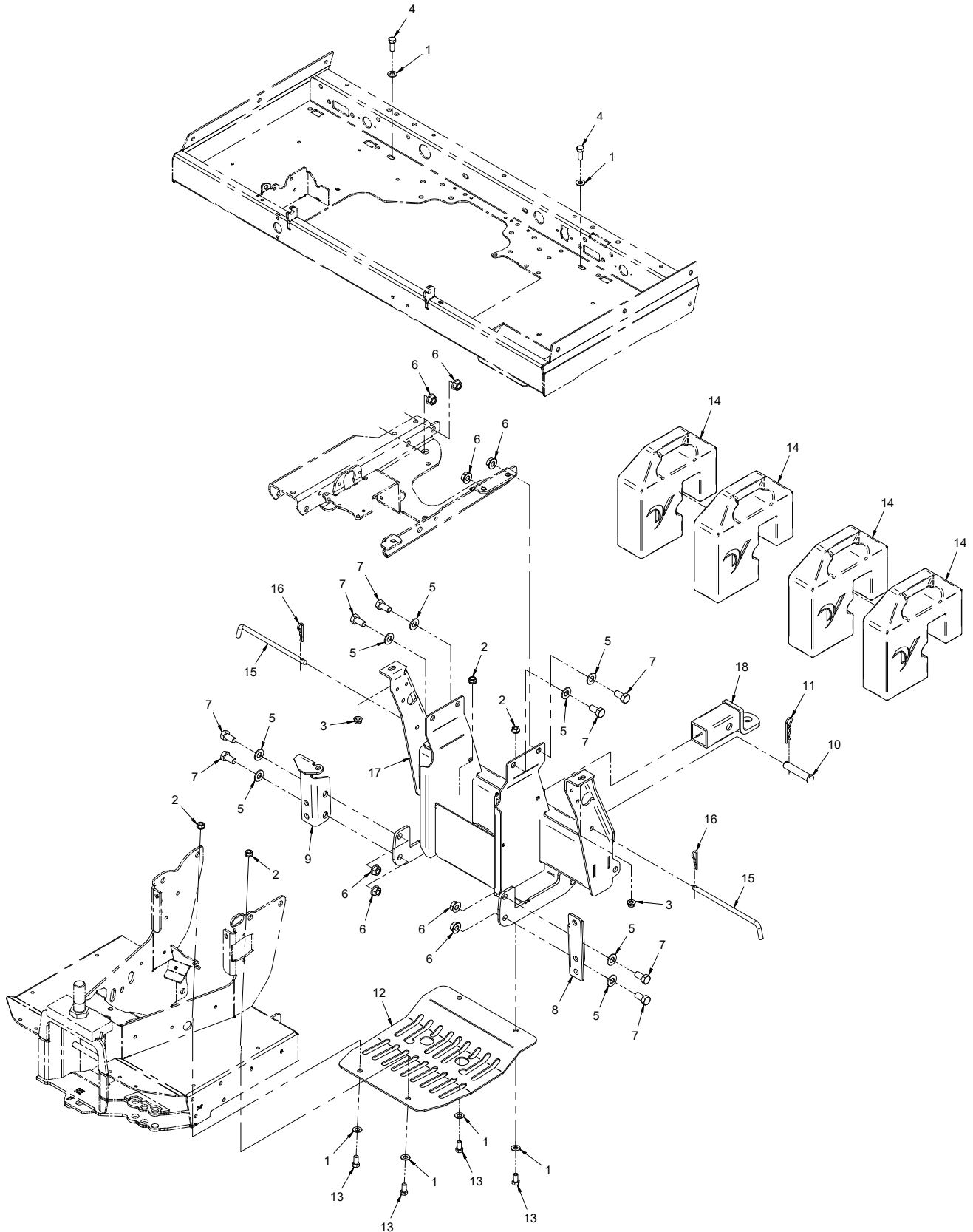
FRAMES / SHEET METAL

Roll Bar

| REF. | PART NO. | DESCRIPTION | QTY. |
|------|----------|---|------|
| 1 | 99.0608 | .BOLT, 3/8-16 X 1 BSCS | 8 |
| 2 | 99.E0082 | .NUT, LOCKING FLANGE 3/8-16 | 8 |
| 3 | 05.0110 | .BUMPER, RUBBER 1" DIA | 2 |
| 4 | 03.0037 | .PIN, KNURLED W/SPRING & LANYARD | 2 |
| 5 | 05.0145 | .WASHER .55ID X 1.03OD X .062T | 6 |
| 6 | 95.08 | .WASHER, FLAT 1/2 SAE | 4 |
| 7 | 90.0814 | .BOLT, 1/2-13 USS X 1-3/4 | 2 |
| 8 | 99.A08 | .LOCKNUT, STOVER 1/2-13 USS | 2 |
| 9 | 05.0045 | .GROMMET, 3/4ID, 1 3/8OD, 1/2THK | 2 |
| 10 | 05.0138 | .GROMMET, 7/16ID, 11/16OD, 3/8THK | 4 |
| 11 | 00.0331 | .DECAL, ROPS CERTIFICATION (Serial # 01001-14497) | 1 |
| 11 | 00.0644 | .DECAL, ROPS 4500 CERTIFICATION (Serial # 14498-) | 1 |
| 12 | 95.05 | .WASHER, FLAT 5/16 SAE | 2 |
| 13 | 90.0504 | .BOLT, 5/16-18 USS X 1/2" | 2 |
| 14 | 62.1381 | .ROLLBAR, FOLD DOWN RIGHT | 1 |
| 15 | 62.1382 | .ROLLBAR, FOLD DOWN LEFT | 1 |
| 16 | 62.1380 | .ROLLBAR, FOLD DOWN TOP | 1 |

FRAMES / SHEET METAL

ILLUSTRATED DRAWING Standard Rear Hitch



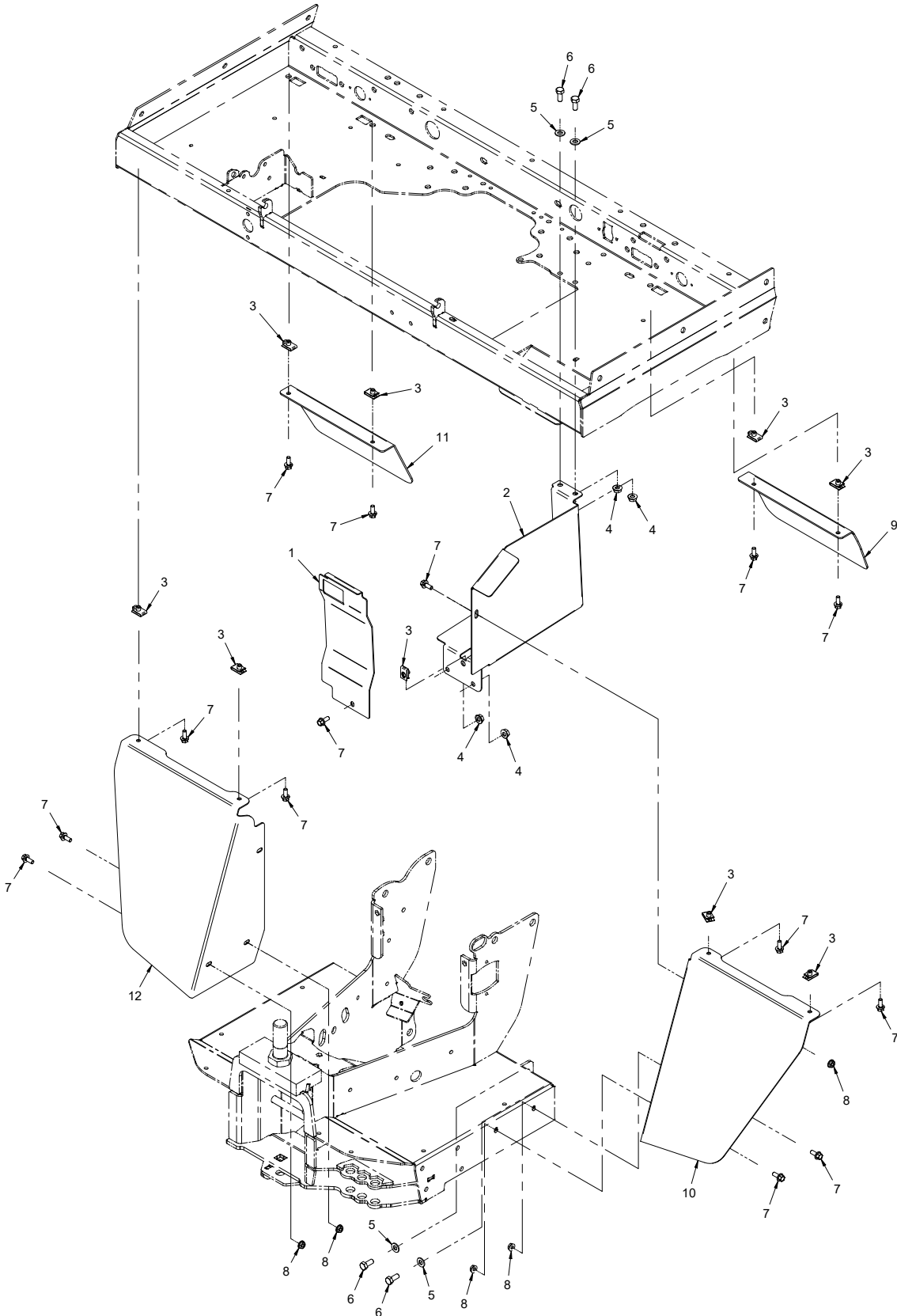
FRAMES / SHEET METAL

Standard Rear Hitch

| REF. | PART NO. | DESCRIPTION | QTY. |
|------|-----------|--|------|
| 1 | 95.06 | .WASHER, FLAT 3/8 SAE | 6 |
| 2 | 99.SF06 | .NUT, SRF 3/8-16 USS | 4 |
| 3 | 99.E0082 | .NUT, LOCKING FLANGE 3/8-16 | 2 |
| 4 | 90.0608 | .BOLT, 3/8-16 USS X 1 | 2 |
| 5 | 95.08 | .WASHER, FLAT 1/2 SAE | 8 |
| 6 | 99.SF08 | .NUT, SRF 1/2-13 USS | 8 |
| 7 | 90.0808 | .BOLT, 1/2-13 USS X 1 | 8 |
| 8 | 64.1592 | .BRACKET, REAR HITCH MT LEFT (Serial # 01001-02923) | 1 |
| 8 | 64.1865 | .BRACKET, REAR HITCH MT LEFT (Serial # 02924-) | 1 |
| 9 | 64.1591 | .BRACKET, REAR HITCH MT RIGHT (Serial # 01001-02923) | 1 |
| 9 | 64.1866 | .BRACKET, REAR HITCH MT RIGHT (Serial # 02924-) | 1 |
| 10 | 03.1024 | .CLEVIS PIN, 5/8 X 3 OAL | 1 |
| 11 | 02.HP0420 | .HAIRPIN, 1/8 X 2 1/2 | 1 |
| 12 | 64.1679 | .PLATE, REAR AXLE SKID NO3PT (Serial # 01001-02923) | 1 |
| 12 | 64.1867 | .PLATE, REAR AXLE SKID NO3PT (Serial # 02924-) | 1 |
| 13 | 90.0606 | .BOLT, 3/8-16 USS X 3/4 | 4 |
| 14 | 47.0115-1 | .WEIGHT, SUITCASE - 42 LBS | 4 |
| 15 | 64.0761 | .PIN, WEIGHT SECURE 7.3" USEABLE | 2 |
| 16 | 02.HP0416 | .HAIRPIN, 1/8 X 2 | 2 |
| 17 | 62.1363 | .FRAME, REAR WEIGHT BAR/HITCH | 1 |
| 18 | 62.0968 | .HITCH, REAR | 2 |

FRAMES / SHEET METAL

ILLUSTRATED DRAWING Rear Fenders & Battery Compartment



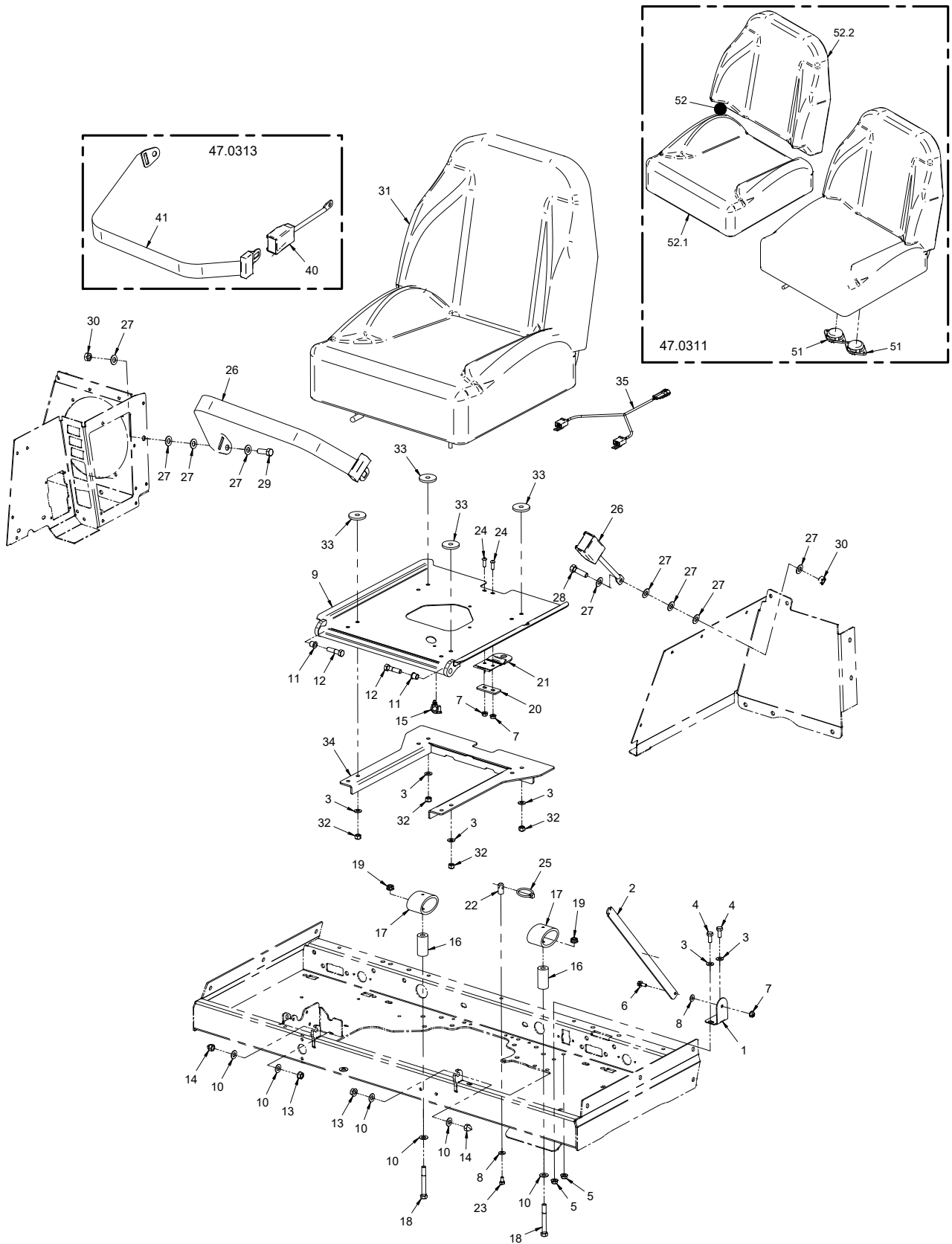
FRAMES / SHEET METAL

Rear Fenders & Battery Compartment

| REF. | PART NO. | DESCRIPTION | QTY. |
|------|-------------|-----------------------------|------|
| 1 | 60.1117 | .PANEL, FOOT PLATFORM LEFT | 1 |
| 2 | 60.1116 | .PANEL, BATTERY COMPARTMENT | 1 |
| 3 | 99.E0046 | .NUT, "U" 1/4-20 EXTRUDED | 9 |
| 4 | 99.SF05 | .NUT, SRF 5/16-18 USS | 4 |
| 5 | 95.05 | .WASHER, FLAT 5/16 SAE | 4 |
| 6 | 90.0506 | .BOLT, 5/16-18 USS X 3/4" | 4 |
| 7 | 99.SF0405-1 | .BOLT, SMF 1/4-20 X 5/8 | 14 |
| 8 | 99.SF04 | .NUT, SRF 1/4-20 USS | 5 |
| 9 | 60.1127 | .FENDER, REAR FLAP LEFT | 1 |
| 10 | 60.1130 | .FENDER, REAR LEFT | 1 |
| 11 | 60.1146 | .FENDER, REAR FLAP RIGHT | 1 |
| 12 | 60.1131 | .FENDER, REAR RIGHT | 1 |

FRAMES / SHEET METAL

ILLUSTRATED DRAWING Standard Seat Assembly



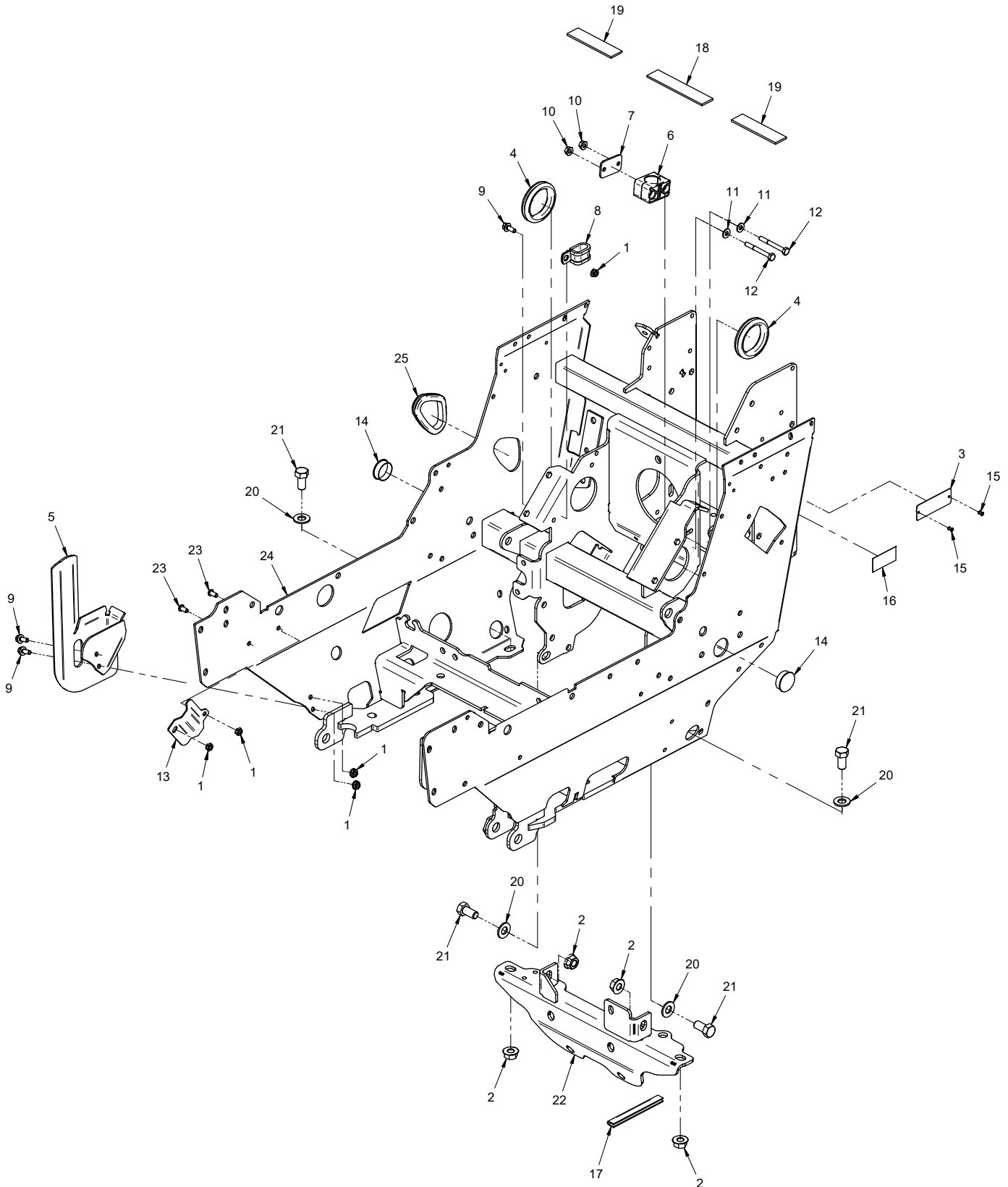
FRAMES / SHEET METAL

Standard Seat Assembly

| REF. | PART NO. | DESCRIPTION | QTY. |
|------|-------------|---------------------------------|------|
| 1 | 64.1598 | .BRACKET, SEAT PROP. | 1 |
| 2 | 64.1599 | .PLATE, SEAT PROP. | 1 |
| 3 | 95.05 | .WASHER, FLAT 5/16 SAE | 6 |
| 4 | 90.0506 | .BOLT, 5/16-18 USS X 3/4" | 2 |
| 5 | 99.SF05 | .NUT, SRF 5/16-18 USS | 2 |
| 6 | 99.SF0405-1 | .BOLT, SMF 1/4-20 X 5/8 | 1 |
| 7 | 99.E0101 | .NUT, LOCKING FLANGE 1/4-20 | 3 |
| 8 | 95.04 | .WASHER, FLAT 1/4 SAE | 2 |
| 9 | 64.1597 | .MOUNT, SEAT | 1 |
| 10 | 95.06 | .WASHER, FLAT 3/8 SAE | 7 |
| 11 | 85.B0068 | .BUSHING, 3/8 X 1/2 OD X 1/2 LG | 2 |
| 12 | 90.0612 | .BOLT, 3/8-16 USS X 1-1/2 | 2 |
| 13 | 99.SF06 | .NUT, SRF 3/8-16 USS | 2 |
| 14 | 99.E0100 | .NUT, ACORN 3/8-16 | 2 |
| 15 | 30.0135 | .CLAMP, LOOM 3/8 ROSEBUD MOUNT | 1 |
| 16 | 64.1681 | .TUBE, SEAT BUMPER | 2 |
| 17 | 05.0137 | .BUMPER, ELASTOMER 3.4" | 2 |
| 18 | 90.0624 | .BOLT, 3/8-16 USS X 3 | 2 |
| 19 | 99.E0082 | .NUT, LOCKING FLANGE 3/8-16 | 2 |
| 20 | 64.1723 | .CLAMP, SEAT LATCH STRAP | 1 |
| 21 | 47.0335 | .STRAP, SEAT LATCH | 1 |
| 22 | 03.0019 | .PIN, SEAT LATCH | 1 |
| 23 | 90.0404 | .BOLT, 1/4-20 USS X 1/2" | 1 |
| 24 | 99.0406 | .BOLT, 1/4-20 X 3/4 BSCS | 2 |
| 25 | 03.0021 | .PIN, LINCH | 1 |
| 26 | 47.0313 | .SEAT BELT, LAP W/BUCKLE | 1 |
| 27 | 95.07 | .WASHER, FLAT 7/16 SAE | 9 |
| 28 | 90.0712 | .BOLT, 7/16-14 USS X 1-1/2 | 1 |
| 29 | 90.0710 | .BOLT, 7/16-14 USS X 1-1/4 | 1 |
| 30 | 99.A07 | .LOCKNUT, STOVER 7/16-14 USS | 2 |
| 31 | 47.0311 | .SEAT, DELUXE HIGH BACK | 1 |
| 32 | 99.A05N | .LOCKNUT, NYLON 5/16-18 USS | 4 |
| 33 | 99.B0076 | .WASHER, .140T X .395ID X 1.5OD | 4 |
| 34 | 64.1684 | .BRACKET, SEAT SUPPORT | 1 |
| 35 | 32.0143 | .HARNESS, 3400/4500 SEAT | 1 |
| 40 | 47.0313-2 | .SEAT BELT, BUCKLE | 1 |
| 41 | 47.0313-1 | .SEAT BELT, LAP BELT | 1 |
| 51 | 31.0060 | .SWITCH, SEAT | 2 |
| 52 | 47.0347 | .COVER, SEAT BOTTOM & BACK | 1 |
| 52.1 | 47.0366 | .COVER, SEAT BOTTOM | 1 |
| 52.2 | 47.0409 | .COVER, SEAT BACK FOR 47.0311 | 1 |

FRAMES / SHEET METAL

ILLUSTRATED DRAWING Front Frame, Frame Connector Bracket, Hose Retainer



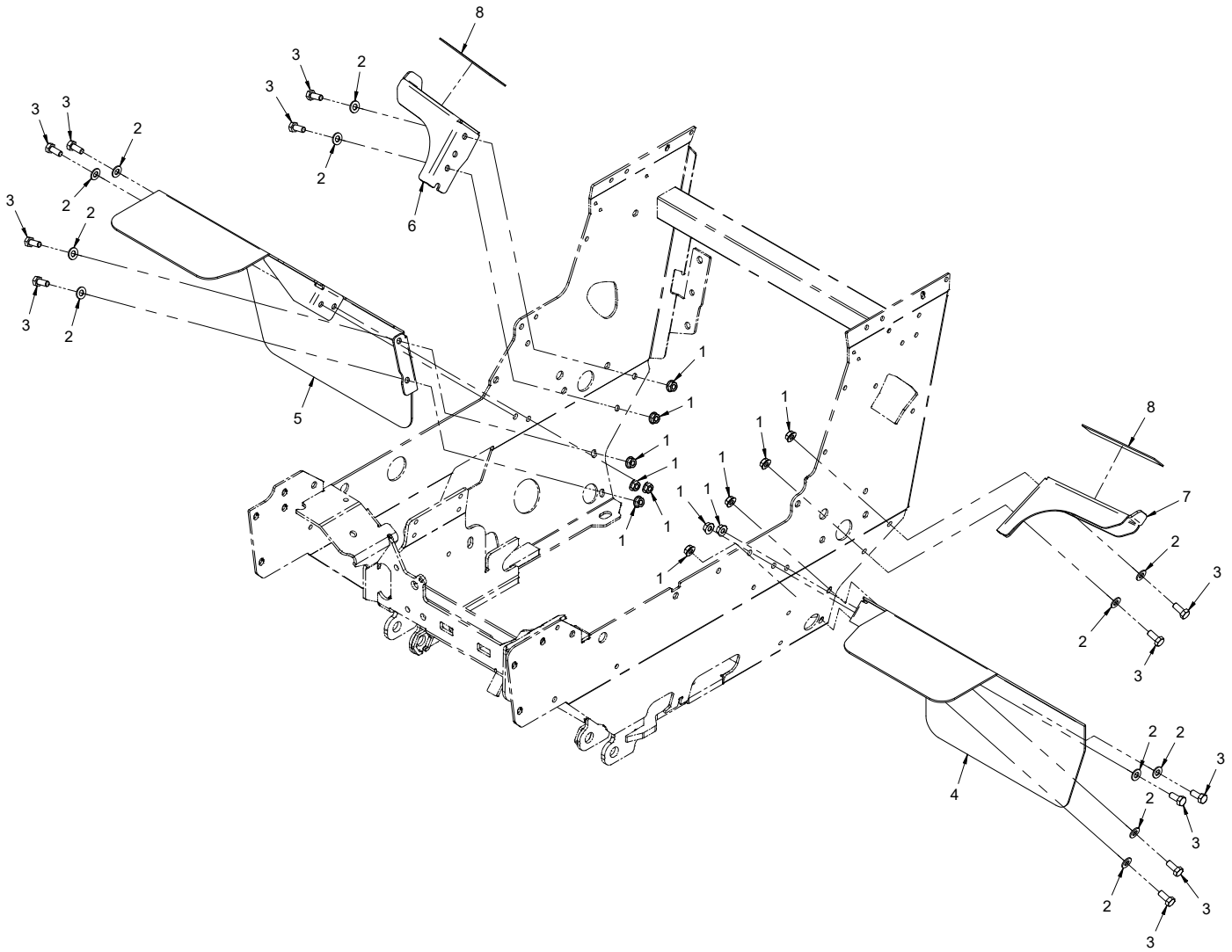
FRAMES / SHEET METAL

Front Frame, Frame Connector Bracket, Hose Retainer

| REF. | PART NO. | DESCRIPTION | QTY. |
|------|---------------|---|------|
| 1 | 99.SF04 | .NUT, SRF 1/4-20 USS | 5 |
| 2 | 99.SF08 | .NUT, SRF 1/2-13 USS | 4 |
| 3 | N/A | .PLATE, VENTRAC SERIAL NUMBER | 1 |
| 4 | 05.0073 | .GROMMET, 2 ID, 2-3/4 OD 9/16 T | 2 |
| 5 | 64.1827 | .BRACKET, HOSE RETAINER | 1 |
| 6 | 44.0320 | .CLAMP, HYD HOSE 25.4MM ID | 1 |
| 7 | 44.0321 | .COVER PLATE, GROUP 3 (1) | 1 |
| 8 | 11.0046 | .CLAMP, CUSHIONED METAL 1/2" | 1 |
| 9 | 99.SF0405-1 | .BOLT, SMF 1/4-20 X 5/8 | 3 |
| 10 | 99.E0101 | .NUT, LOCKING FLANGE 1/4-20 | 2 |
| 11 | 95.04 | .WASHER, FLAT 1/4 SAE | 2 |
| 12 | 90.0418 | .BOLT, HEX 1/4-20 UNC X 2-1/4" | 2 |
| 13 | 64.1729 | .RETAINER, WIRE LOOM | 1 |
| 14 | 05.0091 | .PLUG, 1-1/4" HOLE, BLK PLASTIC | 2 |
| 15 | 04.0029 | .RIVET, POP 1/8" X 1/4" | 2 |
| 16 | 00.0100 | .DECAL, MADE IN USA | 1 |
| 17 | 06.0050-4.5IN | .TRIM, TRIM LOC 1/2 X 3/16 X 4.50" | 1 |
| 18 | 06.0065-5IN | .VELCRO, LOOP 1" BLACK X 5" | 1 |
| 19 | 06.0065-4IN | .VELCRO, LOOP 1" BLACK X 4" | 2 |
| 20 | 95.08 | .WASHER, FLAT 1/2 SAE | 4 |
| 21 | 90.0808 | .BOLT, HEX 1/2-13 UNC X 1 | 4 |
| 22 | 64.1613 | .BRACKET, CONNECTOR FRAME MT (Serial # 01001-03011) | 1 |
| 22 | 64.1863 | .BRACKET, CONNECTOR FRAME MT (Serial # 03012-) | 1 |
| 23 | 99.0404 | .BOLT, 1/4-20 X 1/2 BSCS | 2 |
| 24 | 62.1373 | .FRAME, MAIN FRONT | 1 |
| 25 | 05.0148 | .GROMMET, 2-1/2ID, 3-1/8OD, 3/8T | 1 |

FRAMES / SHEET METAL

ILLUSTRATED DRAWING Front Fenders & Foot Pegs



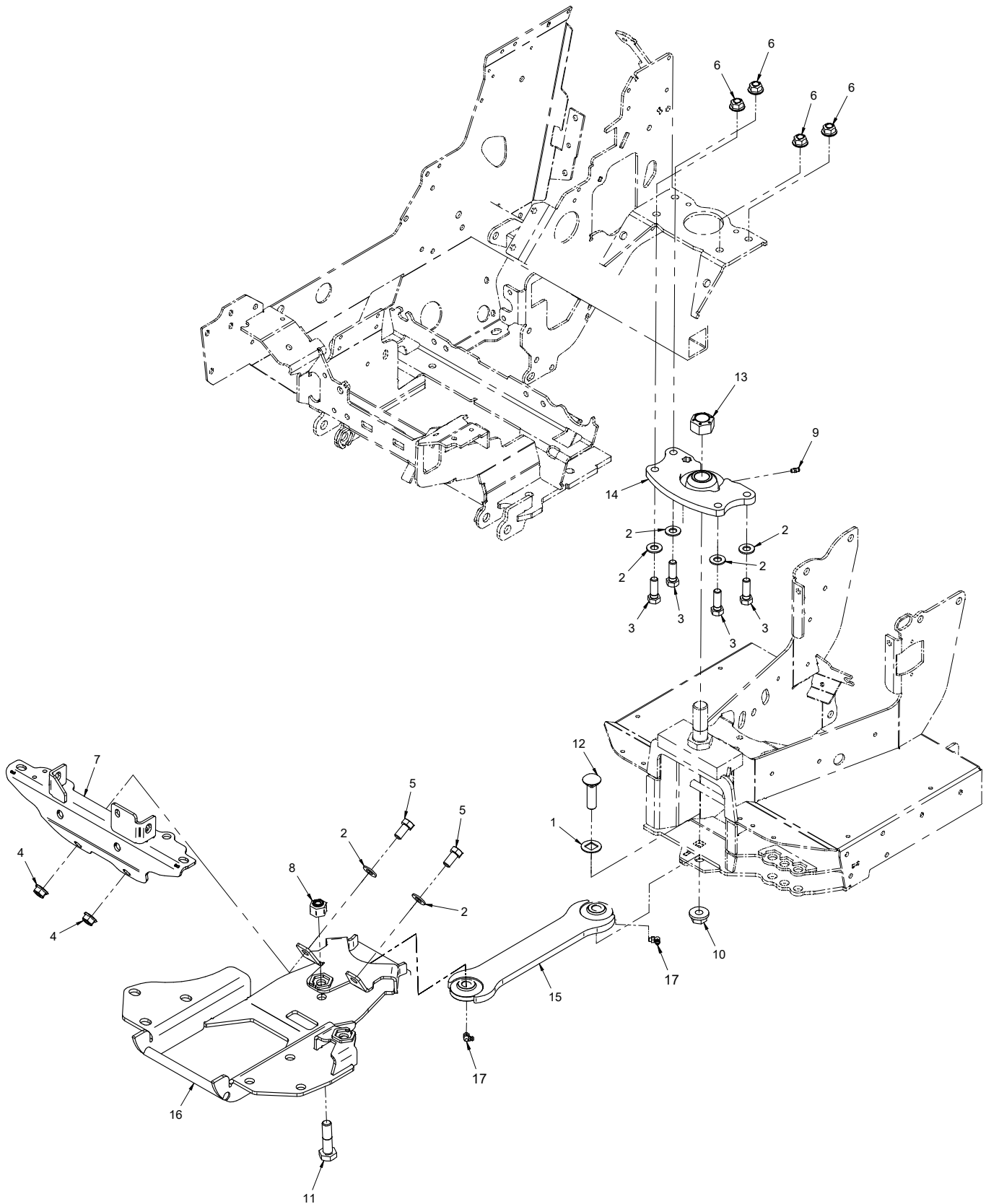
FRAMES / SHEET METAL

Front Fenders & Foot Pegs

| REF. | PART NO. | DESCRIPTION | QTY. |
|------|----------|---------------------------|------|
| 1 | 99.SF05 | .NUT, SRF 5/16-18 USS. | 12 |
| 2 | 95.05 | .WASHER, FLAT 5/16 SAE | 12 |
| 3 | 90.0506 | .BOLT, 5/16-18 USS X 3/4" | 12 |
| 4 | 60.1133 | .FENDER, FRONT LEFT | 1 |
| 5 | 60.1134 | .FENDER, FRONT RIGHT | 1 |
| 6 | 64.1707 | .FOOT PEG, RIGHT | 1 |
| 7 | 64.1708 | .FOOT PEG, LEFT | 1 |
| 8 | 44.0330 | .FLEX TREAD, FOOT PEG | 2 |

FRAMES / SHEET METAL

ILLUSTRATED DRAWING Center Pivot & Connector Link



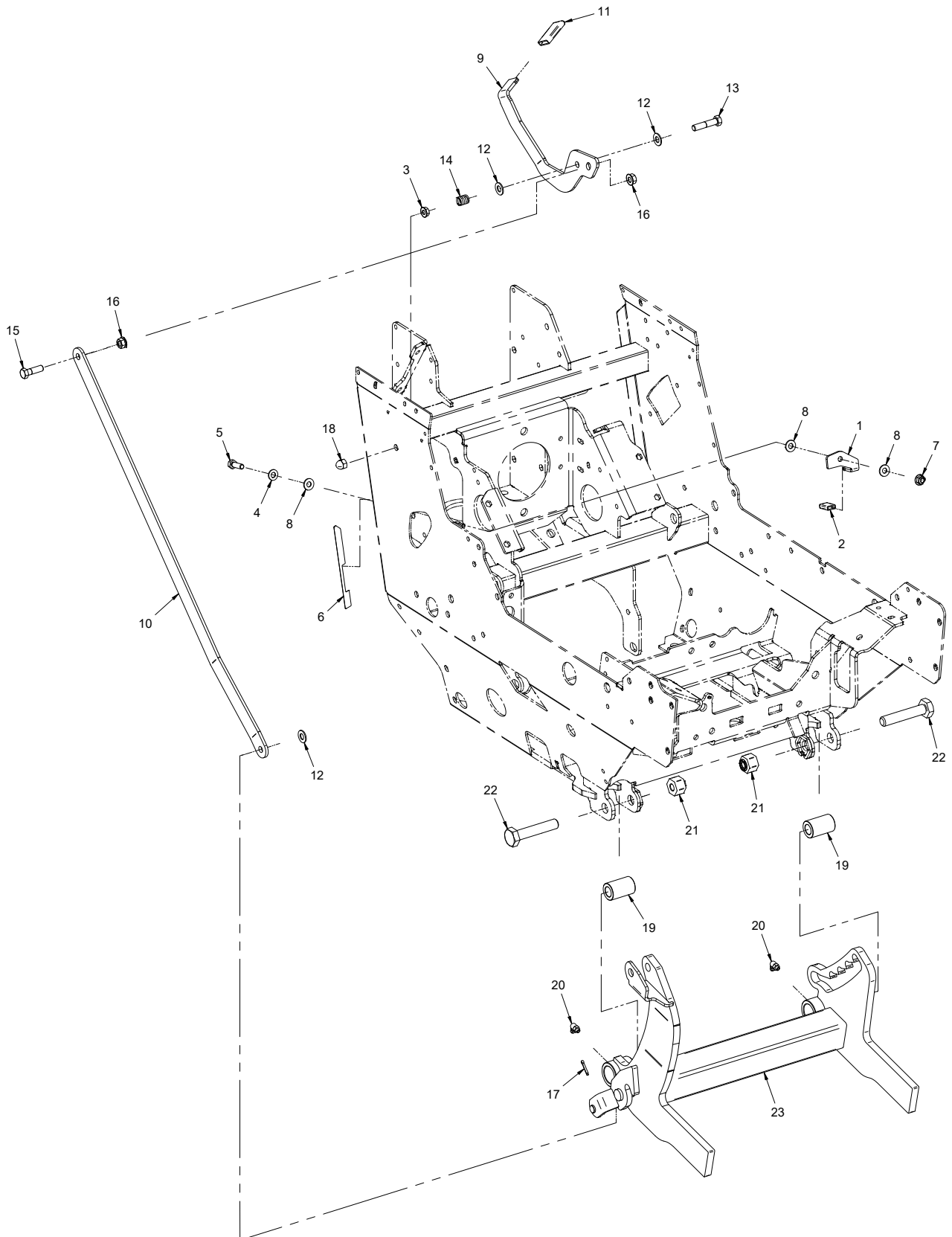
FRAMES / SHEET METAL

Center Pivot & Connector Link

| REF. | PART NO. | DESCRIPTION | QTY. |
|------|-----------|---|------|
| 1 | 64.1724 | .SPACER, CONNECTOR LINK BOLT | 1 |
| 2 | 95.08 | .WASHER, FLAT 1/2 SAE | 6 |
| 3 | 90.0812 | .BOLT, 1/2-13 USS X 1-1/2 | 4 |
| 4 | 99.SF08 | .NUT, SRF 1/2-13 USS | 2 |
| 5 | 90.0808 | .BOLT, 1/2-13 USS X 1 | 2 |
| 6 | 99.E0103 | .NUT, LOCKING FLANGE 1/2-13 | 4 |
| 7 | 64.1613 | .BRACKET, CONNECTOR FRAME MT (Serial # 01001-03011) | 1 |
| 7 | 64.1863 | .BRACKET, CONNECTOR FRAME MT (Serial # 03012-) | 1 |
| 8 | 99.E0095 | .LOCKNUT, 5/8-11 HEAVY NYLON | 1 |
| 9 | 29.GF0001 | .GREASE FTG, 1/4 SAE ST | 1 |
| 10 | 99.E0094 | .LOCKNUT, 5/8-11 FLANGED STOVER | 1 |
| 11 | 99.K0112 | .BOLT, 5/8-11 X 2-1/2 GRD A325 | 1 |
| 12 | 97.1018 | .BOLT, CARRIAGE 5/8-11 X 2-1/4 GR5 | 1 |
| 13 | 99.A16NF | .LOCKNUT, STOVER 1" SAE | 1 |
| 14 | 42.0553 | .PIVOT, CENTER MAIN | 1 |
| 15 | 42.0560 | .LINK, FRONT/REAR CONNECTOR | 1 |
| 16 | 62.1371 | .FRAME, CONNECTOR LINK MOUNT | 1 |
| 17 | 29.GF0002 | .GREASE, FTG. 1/4 SAE 90 | 2 |

FRAMES / SHEET METAL

ILLUSTRATED DRAWING Front Hitch



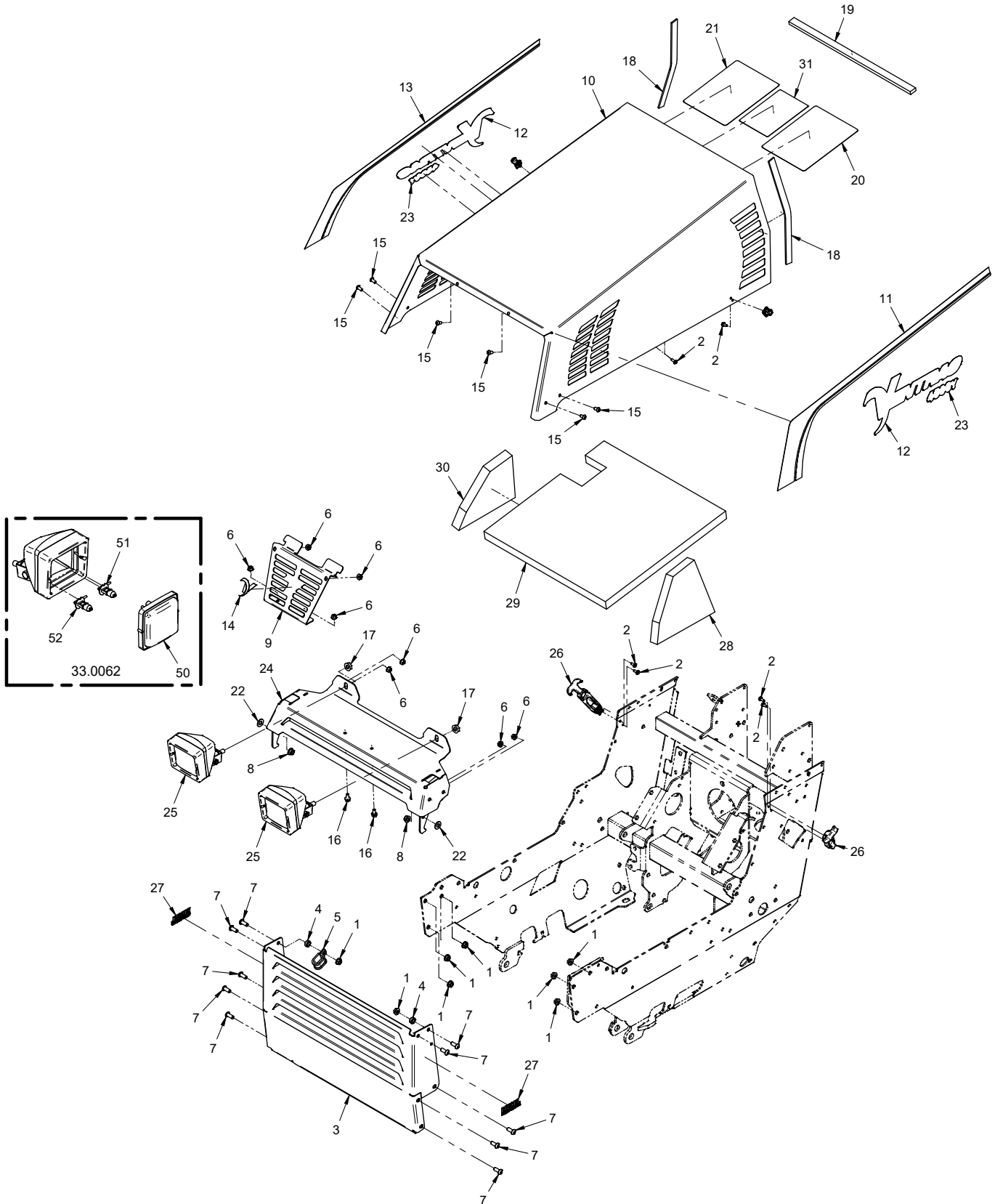
FRAMES / SHEET METAL

Front Hitch

| REF. | PART NO. | DESCRIPTION | QTY. |
|------|-----------|---------------------------------|------|
| 1 | 64.1617 | .LOCK, FRONT HITCH LEVER | 1 |
| 2 | 06.0044 | .CAP, PLASTIC 1/8 X 1/2 X 7/8 | 1 |
| 3 | 99.SF05 | .NUT, SRF 5/16-18 USS | 1 |
| 4 | 95.05 | .WASHER, FLAT 5/16 SAE | 1 |
| 5 | 90.0508 | .BOLT, 5/16-18 USS X 1" | 1 |
| 6 | 00.0317 | .DECAL, FRONT HITCH LOCK | 1 |
| 7 | 99.E0102 | .NUT, LOCKING FLANGE 5/16-18 | 1 |
| 8 | 05.0055 | .WASHER, NYLON .34 X .74 X .062 | 3 |
| 9 | 40.0376 | .LEVER, FRONT HITCH LATCH | 1 |
| 10 | 42.0558 | .LINK, FRONT HITCH LATCH | 1 |
| 11 | 06.0051 | .CAP, 3/16 X 15/16 X 1-3/4 FE | 1 |
| 12 | 95.06 | .WASHER, FLAT 3/8 SAE | 3 |
| 13 | 90.0614 | .BOLT, 3/8-16 USS X 1-3/4 | 1 |
| 14 | 41.0039 | .SPRING, COMP. 9/16 OD X 5/8 | 1 |
| 15 | 90.0610 | .BOLT, 3/8-16 USS X 1-1/4 | 1 |
| 16 | 99.SF06 | .NUT, SRF 3/8-16 USS | 2 |
| 17 | 02.CP0406 | .COTTER PIN, 1/8 X 3/4 | 1 |
| 18 | 99.E0100 | .NUT, ACORN 3/8-16 | 1 |
| 19 | 64.1609 | .BUSHING, FRONT HITCH PIVOT | 2 |
| 20 | 29.GF0002 | .GREASE FTG, 1/4 SAE 90 | 2 |
| 21 | 99.E0095 | .LOCKNUT, 5/8-11 HEAVY NYLON | 2 |
| 22 | 99.K0121 | .BOLT, 5/8-11 X 3-1/4 GRD A325 | 2 |
| 23 | 62.1374 | .FRAME, FRONT HITCH | 1 |

FRAMES / SHEET METAL

ILLUSTRATED DRAWING Hood, Grill, & Headlights



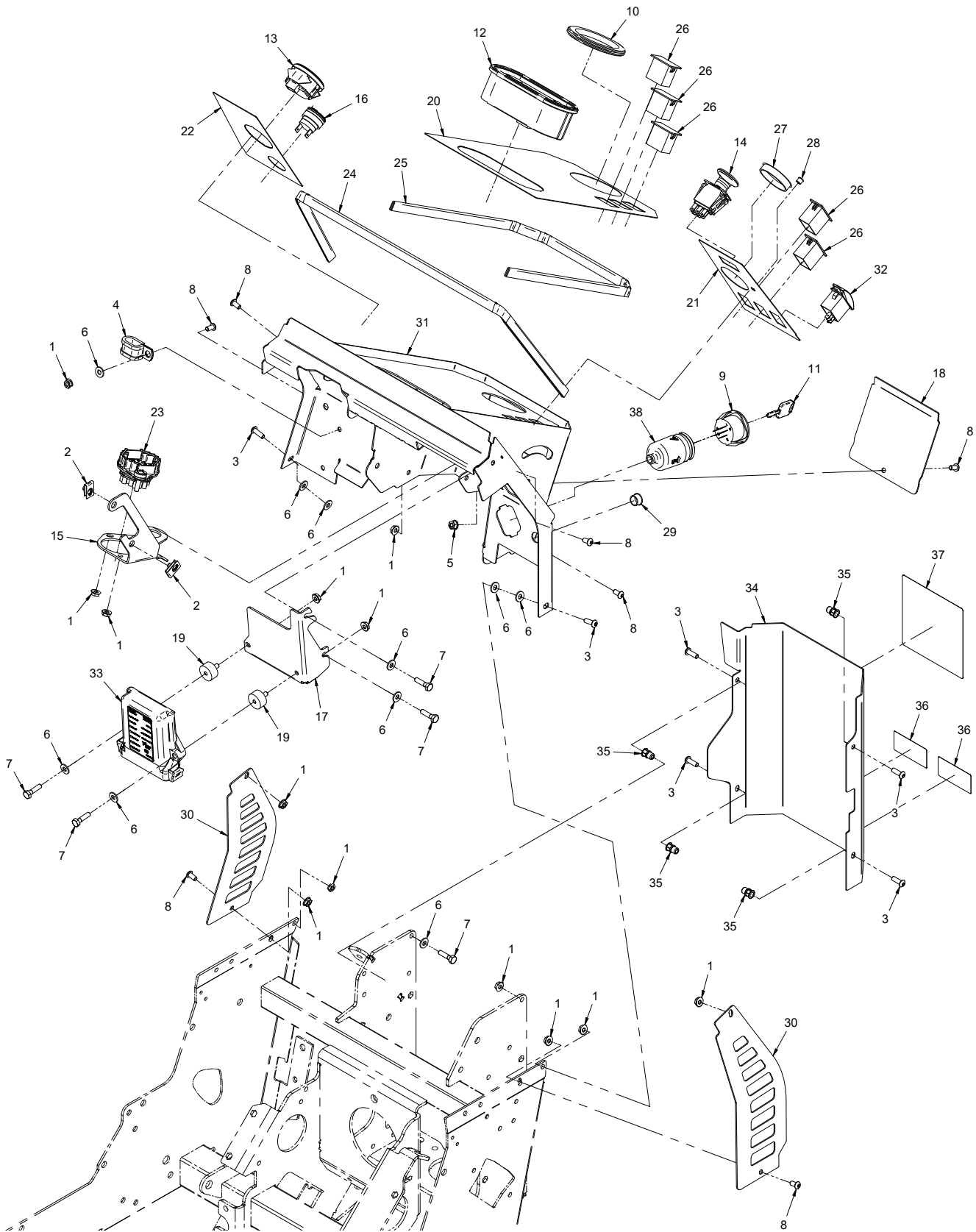
FRAMES / SHEET METAL

Hood, Grill, & Headlights

| REF. | PART NO. | DESCRIPTION | QTY. |
|------|--------------|--|------|
| 1 | 99.SF05 | .NUT, SRF 5/16-18 USS | 8 |
| 2 | 99.K0072 | .MACHINE SCREW, 10-24 X 1/2 ZP | 6 |
| 3 | 62.1372 | .BUMPER, FRONT | 1 |
| 4 | 64.0602 | .BUSHING, 3/8 X 5/8 X .265 | 2 |
| 5 | 11.0046 | .CLAMP, CUSHIONED METAL 1/2" | 1 |
| 6 | 99.E0101 | .NUT, LOCKING FLANGE 1/4-20 | 8 |
| 7 | 99.0506 | .BOLT, 5/16-18 X 3/4 BSCS | 10 |
| 8 | 99.E0102 | .NUT, LOCKING FLANGE 5/16-18 | 2 |
| 9 | 60.1145 | .GRILL, FRONT FILLER | 1 |
| 10 | 60.1144 | .HOOD, ENGINE 4500 | 1 |
| 11 | 00.0299 | .DECAL, HOOD LEFT | 1 |
| 12 | 00.0308 | .DECAL, VENTRAC | 2 |
| 13 | 00.0300 | .DECAL, HOOD RIGHT | 1 |
| 14 | 00.0326 | .DECAL, "V" RAISED | 1 |
| 15 | 99.0404 | .BOLT, 1/4-20 X 1/2 BSCS | 6 |
| 16 | 99.SF0404-1 | .BOLT, SMF 1/4-20 X 1/2 | 2 |
| 17 | 99.M0021 | .NUT, SMF M10 X 1.5 | 2 |
| 18 | 06.0045-12IN | .WEATHERSTRIP, 1/8 X 3/4 X 12 | 2 |
| 19 | 06.0055-17IN | .WEATHERSTRIP, 3/8 X 3/4 X 17 | 1 |
| 20 | 00.0307 | .DECAL, MAINTENANCE | 1 |
| 21 | 00.0337 | .DECAL, QUICK REFERENCE 4500 | 1 |
| 22 | 05.0083 | .WASHER, PVC .375ID X .875 X .0625 | 2 |
| 23 | 00.0312 | .DECAL, 4500Y | 2 |
| 24 | 60.1253 | .GRILL, FRONT | 1 |
| 25 | 33.0062 | .LIGHT, WORK 3 X 3 | 2 |
| 26 | 47.0127 | .LATCH, RUBBER DRAW T-HANDLE | 2 |
| 27 | 00.0322 | .DECAL, DIESEL LIQUID COOLED | 2 |
| 28 | 44.0358 | .INSULATION, HOOD LEFT | 1 |
| 29 | 44.0359 | .INSULATION, HOOD CENTER | 1 |
| 30 | 44.0360 | .INSULATION, HOOD RIGHT | 1 |
| 31 | 00.0385 | .DECAL, MAINTENANCE ENGINE OIL | 1 |
| 50 | 33.0054 | .OPTICAL UNIT, LENS/REFLECTOR | 1 |
| 51 | 33.0055 | .BULB, LIGHT (ONLY) FOR 55 WATT | 1 |
| 52 | 33.0056 | .BULB, LIGHT (ONLY) FOR 35 WATT (Optional) | 1 |

FRAMES / SHEET METAL

ILLUSTRATED DRAWING Dash, Dash Brackets, Decals, & Switches



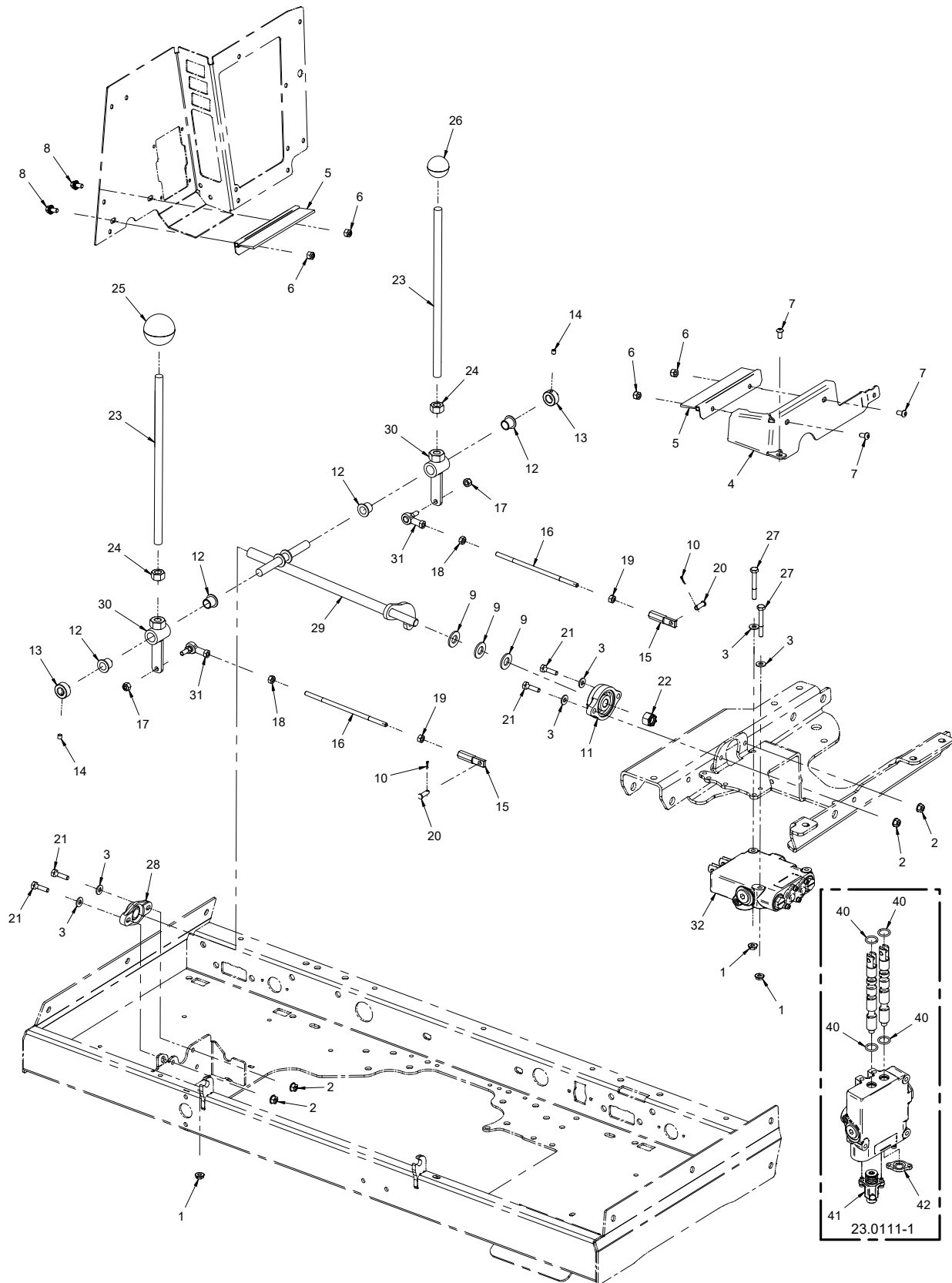
FRAMES / SHEET METAL

Dash, Dash Brackets, Decals, & Switches

| REF. | PART NO. | DESCRIPTION | QTY. |
|------|-----------------|--|------|
| 1 | 99.SF04 | .NUT, SRF 1/4-20 USS | 13 |
| 2 | 99.E0046 | .NUT, "U" 1/4-20 EXTRUDED | 2 |
| 3 | 99.0406 | .BOLT, 1/4-20 X 3/4 BSCS | 6 |
| 4 | 11.0046 | .CLAMP, CUSHIONED METAL 1/2" | 1 |
| 5 | 99.E0101 | .NUT, LOCKING FLANGE 1/4-20 | 1 |
| 6 | 95.04 | .WASHER, FLAT 1/4 SAE | 10 |
| 7 | 90.0408 | .BOLT, 1/4-20 USS X 1" | 5 |
| 8 | 99.0404 | .BOLT, 1/4-20 X 1/2 BSCS | 7 |
| 9 | 13.0078 | .SWITCH, IGNITION DELTA | 1 |
| 10 | 05.0080 | .GROMMET, 2-3/4 ID, 3-5/8 OD, 5/16T | 1 |
| 11 | 13.0080 | .KEY, IGNITION DELTA | 1 |
| 12 | 35.0147 | .GAUGE, CLUSTER INFORMATION | 1 |
| 13 | 35.0123 | .GAUGE, CLUSTER WARNING | 1 |
| 14 | 31.0043 | .SWITCH, PTO - PUSH / PULL | 1 |
| 15 | 64.1691 | .BRACKET, HARNESS CONNECTOR | 1 |
| 16 | 35.0124 | .ALARM, AUDIBLE CONT. PANEL MT | 1 |
| 17 | 64.1690 | .BRACKET, TCM | 1 |
| 18 | 60.1132 | .COVER, STEERING VALVE | 1 |
| 19 | 05.0135 | .ISOLATOR, 1/4-20 X 1/2 X 1" F/M | 2 |
| 20 | 00.0304 | .DECAL, DASH CENTER | 1 |
| 21 | 00.0303 | .DECAL, DASH LEFT | 1 |
| 22 | 00.0305 | .DECAL, DASH RIGHT | 1 |
| 23 | 30.0351 | .CONNECTOR, TOWER 22 PIN SEAL | 1 |
| 24 | 06.0042-33.5IN | .TRIM, TRIM LOC 1/2 X 1/16 X 33-1/2" | 1 |
| 25 | 06.0042-34.88IN | .TRIM, TRIM LOC 1/2 X 1/16 X 34-7/8" | 1 |
| 26 | 05.0131 | .PLUG, SWITCH OTTO K5 | 5 |
| 27 | 05.0058 | .PLUG, 2" HOLE, NYLON | 1 |
| 28 | 05.0147 | .PLUG, 5/16" HOLE, NYLON BLACK | 1 |
| 29 | 05.0139 | .PLUG, 5/8" HOLE, BLK PLASTIC | 1 |
| 30 | 60.1141 | .PANEL, DASH ACCESS | 2 |
| 31 | 62.1376 | .DASH, MAIN PANEL | 1 |
| 32 | 31.0053 | .SWITCH, ROCKER ON/OFF | 1 |
| 33 | 35.0128 | .MODULE, TRACTOR CONTROL (Serial # 01001-02478) | 1 |
| 33 | 35.0146 | .MODULE, TRACTOR CONTROL (Serial # 02479-04921) | 1 |
| 33 | 35.0134 | .MODULE, TRACTOR CONTROL (Serial # 04922) | 1 |
| 34 | 60.1136 | .COVER, PUMP | 1 |
| 35 | 99.E0105 | .NUT, INSERT 1/4-20 HEX | 4 |
| 36 | 00.0342 | .DECAL, WARNING PINCH POINT (Serial # 01001-14497) | 2 |
| 36 | 00.0639 | .DECAL, PINCHING HAZARD FOOT (Serial # 14498-) | 2 |
| 37 | 00.0347 | .DECAL, 4500 SLOPE WARNING (Serial # 01001-14497) | 1 |
| 37 | 00.0642 | .DECAL, SLOPE WARNING (Serial # 14498-) | 1 |
| 38 | 30.0469 | .COVER, SPLASHGUARD IG SWITCH (Serial # 03834-) | 1 |

CONTROLS & LINKAGE

ILLUSTRATED DRAWING SDLA Control Levers



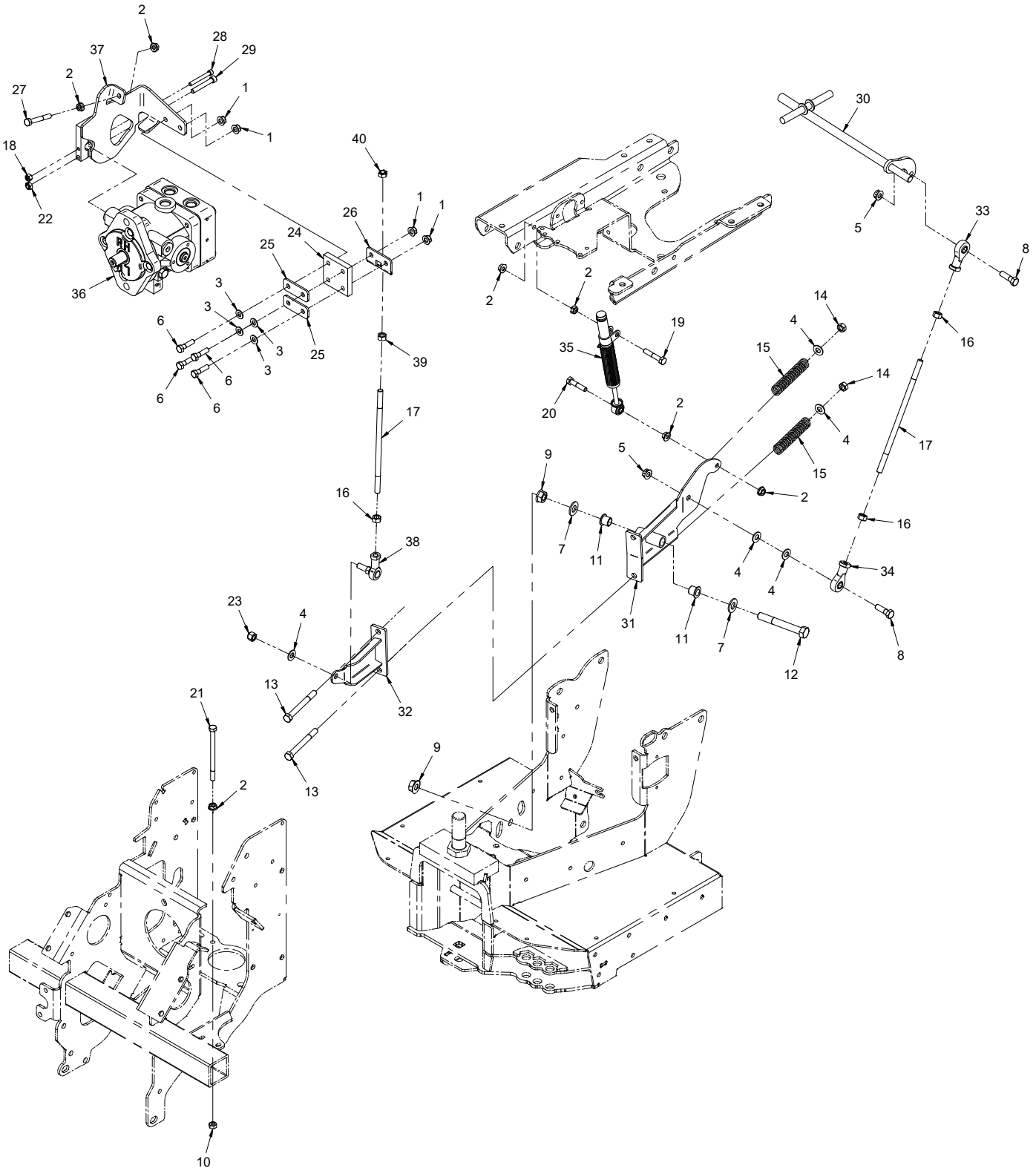
CONTROLS & LINKAGE

SDLA Control Levers

| REF. | PART NO. | DESCRIPTION | QTY. |
|------|------------|----------------------------------|------|
| 1 | 99.SF04 | .NUT, SRF 1/4-20 USS | 3 |
| 2 | 99.E0101 | .NUT, LOCKING FLANGE 1/4-20 | 4 |
| 3 | 95.04 | .WASHER, FLAT 1/4 SAE | 6 |
| 4 | 60.1120 | .COVER, SDLA PIVOT | 1 |
| 5 | 79.0091 | .BRUSH, SDLA COVER W/HOLDER | 2 |
| 6 | 99.A04N | .LOCKNUT, NYLON 1/4-20 | 4 |
| 7 | 99.0404 | .BOLT, 1/4-20 X 1/2 BSCS | 3 |
| 8 | 99.SF0404 | .BOLT, SRF 1/4-20 X 1/2 | 2 |
| 9 | 95.08 | .WASHER, FLAT 1/2 SAE | 3 |
| 10 | 02.CP0204 | .COTTER PIN, 1/16 X 1/2 | 2 |
| 11 | 55.FB16008 | .BEARING, FLANGE BLCK 1/2 ID | 1 |
| 12 | 85.B0027 | .BUSHING, 1/2 ID X 5/8 OD X 5/8 | 4 |
| 13 | 85.SC08 | .SET COLLAR, 1/2" | 2 |
| 14 | 85.SS19 | .SET SCREW, 1/4-20 X 1/4" | 2 |
| 15 | 43.004-4 | .ROD END, 1/4-28LH YZP VAL CTRL | 2 |
| 16 | 42.0563 | .ROD, THREAD 1/4-28x7-1/2 RH/LH | 2 |
| 17 | 99.A04NFN | .LOCKNUT, NYLON 1/4-28 | 2 |
| 18 | 93.04 | .NUT, 1/4-28 SAE | 2 |
| 19 | 99.E0081 | .NUT, 1/4-28 LH GRADE 8 YZ | 2 |
| 20 | 03.0406 | .CLEVIS PIN, 1/4 X 3/4 | 2 |
| 21 | 90.0408 | .BOLT, 1/4-20 USS X 1" | 4 |
| 22 | 99.A08N | .LOCKNUT, NYLON 1/2-13 USS | 1 |
| 23 | 40.0240 | .HANDLE, F/R CONTROL | 2 |
| 24 | 92.08 | .NUT, 1/2-13 USS | 2 |
| 25 | 47.0003 | .KNOB, ROUND 2" X 1/2-13 THREAD | 1 |
| 26 | 47.0329 | .KNOB, ROUND 1-3/8 X 1/2-13 | 1 |
| 27 | 90.0416 | .BOLT, 1/4-20 USS X 2" | 2 |
| 28 | 55.0081 | .BEARING, FLANGE IGUS 5/8" | 1 |
| 29 | 40.0372 | .ARM, SDLA PIVOT | 1 |
| 30 | 42.0562 | .PIVOT, SDLA LIFT LEVER | 2 |
| 31 | 43.004S | .ROD END, 1/4 SPHERICAL W/STUD | 2 |
| 32 | 23.0111-1 | .VALVE, HY 2 SPL W/LH FLT, RH SP | 1 |
| 40 | 26.0027 | .O-RING, 5/8ID X 13/16OD X 3/32 | 4 |
| 41 | 23.0111-7 | .KIT, SPOOL FLOAT HYD. VALVE | 1 |
| 42 | 23.0111-8 | .CAP, VALVE | 1 |

CONTROLS & LINKAGE

ILLUSTRATED DRAWING SDLA Linkage



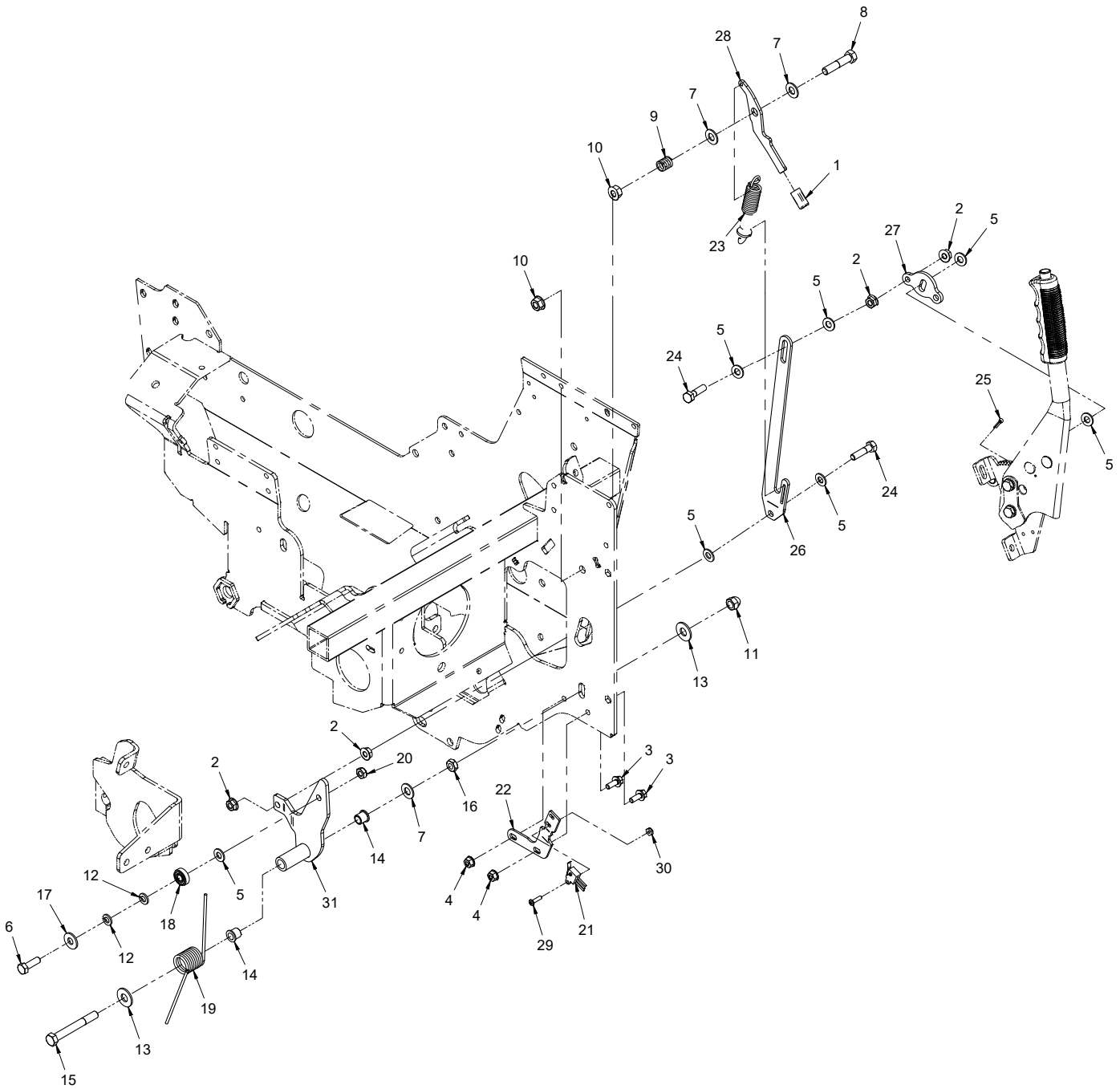
CONTROLS & LINKAGE

SDLA Linkage

| REF. | PART NO. | DESCRIPTION | QTY. |
|------|-----------|-----------------------------------|------|
| 1 | 99.E0102 | .NUT, LOCKING FLANGE 5/16-18 | 4 |
| 2 | 99.SF05 | .NUT, SRF 5/16-18 USS | 7 |
| 3 | 95.05 | .WASHER, FLAT 5/16 SAE | 4 |
| 4 | 95.06 | .WASHER, FLAT 3/8 SAE | 5 |
| 5 | 99.E0082 | .NUT, LOCKING FLANGE 3/8-16 | 2 |
| 6 | 90.0510 | .BOLT, 5/16-18 USS X 1-1/4" | 4 |
| 7 | 95.08 | .WASHER, FLAT 1/2 SAE | 2 |
| 8 | 90.0610 | .BOLT, 3/8-16 USS X 1-1/4 | 2 |
| 9 | 99.SF08 | .NUT, SRF 1/2-13 USS | 2 |
| 10 | 92.05 | .NUT, 5/16-18 USS | 1 |
| 11 | 85.B0027 | .BUSHING, 1/2 ID X 5/8 OD X 5/8 | 2 |
| 12 | 90.0830 | .BOLT, 1/2-13 USS X 3-3/4 | 1 |
| 13 | 90.0628 | .BOLT, 3/8-16 USS X 3-1/2 | 2 |
| 14 | 99.A06 | .LOCKNUT, STOVER 3/8-16 USS | 2 |
| 15 | 41.0063 | .SPRING, COMP. 3/4 OD X 4" LG | 2 |
| 16 | 93.06 | .NUT, 3/8-24 SAE | 3 |
| 17 | 42.0550 | .ROD, THREAD 3/8-24 X 9" RH/LH ZP | 2 |
| 18 | 99.A04NFN | .LOCKNUT, NYLON 1/4-28 | 1 |
| 19 | 90.0514 | .BOLT, 5/16-18 USS X 1-3/4" | 1 |
| 20 | 90.0512 | .BOLT, 5/16-18 USS X 1-1/2" | 1 |
| 21 | 90.0538-2 | .BOLT, 5/16-18 X 4-3/4 ALL THRD | 1 |
| 22 | 99.A05 | .LOCKNUT, STOVER 5/16-18 USS | 1 |
| 23 | 99.A06NFN | .LOCKNUT, NYLON 3/8-24 SAE ZP | 1 |
| 24 | 44.0161 | .LINK, RUBBER FOR SHIFT LINKAGE | 1 |
| 25 | 64.0763 | .CLAMP, RUBBER CONNECTOR | 2 |
| 26 | 64.0764 | .BRACKET, PUMP CONTROL LINK | 1 |
| 27 | 90.0518 | .BOLT, 5/16-18 USS X 2-1/4" | 1 |
| 28 | 99.K0076 | .BOLT, SHCS 1/4-28 X 2 GRADE 8 | 1 |
| 29 | 99.K0123 | .BOLT, SHCS 5/16-18 X 2 GRADE 8 | 1 |
| 30 | 40.0372 | .ARM, SDLA PIVOT | 1 |
| 31 | 40.0371 | .ARM, ROCKER F/R REAR | 1 |
| 32 | 40.0370 | .ARM, ROCKER F/R FRONT | 1 |
| 33 | 43.006 | .ROD END, 3/8 SPHERICAL, FEMALE | 1 |
| 34 | 43.006L | .ROD END, 3/8 SPHERICAL, LH THRD | 1 |
| 35 | 47.0316 | .DAMPER, 3.187 STROKE GAS SHOCK | 1 |
| 36 | 21.0080 | .PUMP, HYD. CCW 1000 PSI | 1 |
| 37 | 40.0375 | .ARM, CONTROL/SWASH PLATE | 1 |
| 38 | 43.006S | .ROD END, 3/8 SPHERICAL W/ STUD | 1 |
| 39 | 99.E0114 | .NUT, 3/8-24 LH ZP | 1 |
| 40 | 99.E0107 | .LOCKNUT, 3/8-24 LH ZP | 1 |

CONTROLS & LINKAGE

ILLUSTRATED DRAWING Neutral Assist Lever & Neutral Switch



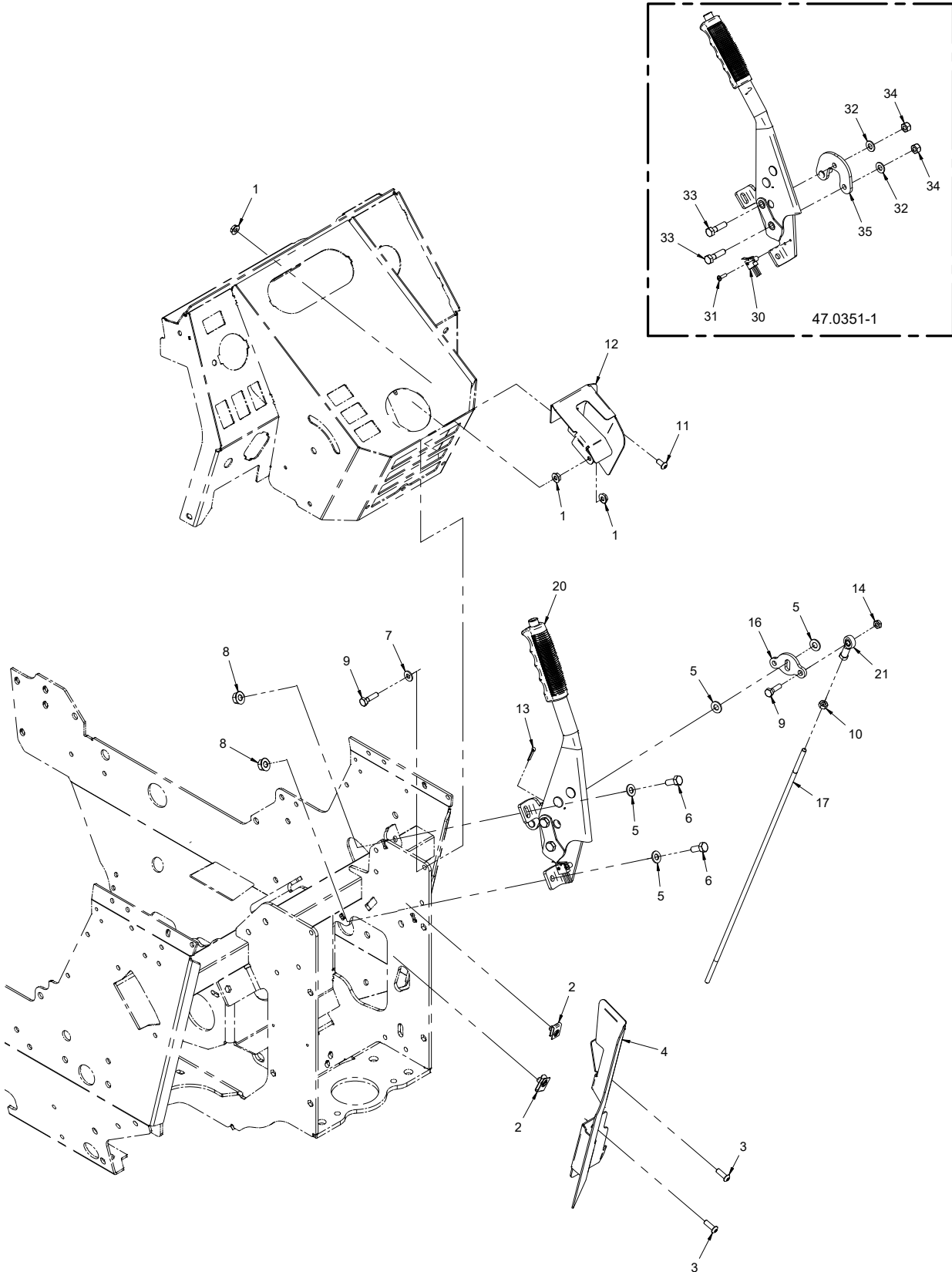
CONTROLS & LINKAGE

Neutral Assist Lever & Neutral Switch

| REF. | PART NO. | DESCRIPTION | QTY. |
|------|-------------|-----------------------------------|------|
| 1 | 06.0044 | .CAP, PLASTIC 1/8 X 1/2 X 7/8 | 1 |
| 2 | 99.SF05 | .NUT, SRF 5/16-18 USS | 4 |
| 3 | 99.SF0405-1 | .BOLT, SMF 1/4-20 X 5/8 | 2 |
| 4 | 99.E0101 | .NUT, LOCKING FLANGE 1/4-20 | 2 |
| 5 | 95.05 | .WASHER, FLAT 5/16 SAE | 7 |
| 6 | 90.0508 | .BOLT, 5/16-18 USS X 1" | 1 |
| 7 | 95.06 | .WASHER, FLAT 3/8 SAE | 3 |
| 8 | 90.0614 | .BOLT, 3/8-16 USS X 1-3/4 | 1 |
| 9 | 41.0039 | .SPRING, COMP. 9/16 OD X 5/8 | 1 |
| 10 | 99.SF06 | .NUT, SRF 3/8-16 USS | 2 |
| 11 | 99.E0100 | .NUT, ACORN 3/8-16 | 1 |
| 12 | 96.05 | .WASHER, LOCK 5/16 | 2 |
| 13 | 94.06 | .WASHER, FLAT 3/8 USS | 2 |
| 14 | 85.B0068 | .BUSHING, 3/8 X 1/2 OD X 1/2 LG | 2 |
| 15 | 90.0624 | .BOLT, 3/8-16 USS X 3 | 1 |
| 16 | 99.E0037 | .NUT, JAM 3/8-16 USS | 1 |
| 17 | 94.05 | .WASHER, FLAT 5/16 USS | 1 |
| 18 | 55.0022 | .BEARING, BALL .315 ID X .8661 OD | 1 |
| 19 | 41.0105 | .SPRING, TORSION LH .83"ID SS | 1 |
| 20 | 99.E0109 | .NUT, JAM 5/16-18 NYLON LOCK | 1 |
| 21 | 31.0058-2 | .SWITCH, MICRO NEUTRAL | 1 |
| 22 | 64.1652 | .BRACKET, NEUTRAL SWITCH MOUNT | 1 |
| 23 | 41.0106 | .SPRING, EXT 3/4 OD X 4 LG | 1 |
| 24 | 90.0510 | .BOLT, HEX 5/16-18 UNC X 1-1/4" | 2 |
| 25 | 02.CP0404 | .COTTER PIN, 1/8 X 1/2 | 1 |
| 26 | 42.0556 | .LINK, NEUTRAL ASSIST | 1 |
| 27 | 64.1626 | .ROCKER, PARK BRAKE TENSIONER | 1 |
| 28 | 40.0374 | .LEVER, NEUTRAL ASSIST | 1 |
| 29 | 99.K0133 | .MACHINE SCREW, #8-32 X 5/8 | 1 |
| 30 | 99.E0104 | .NUT, JAM #8-32 NYLON LOCK | 1 |
| 31 | 64.1628 | .ROCKER, NEUTRAL ASSIST | 1 |

CONTROLS & LINKAGE

ILLUSTRATED DRAWING Parking Brake Handle, Brake Rod, & Shields



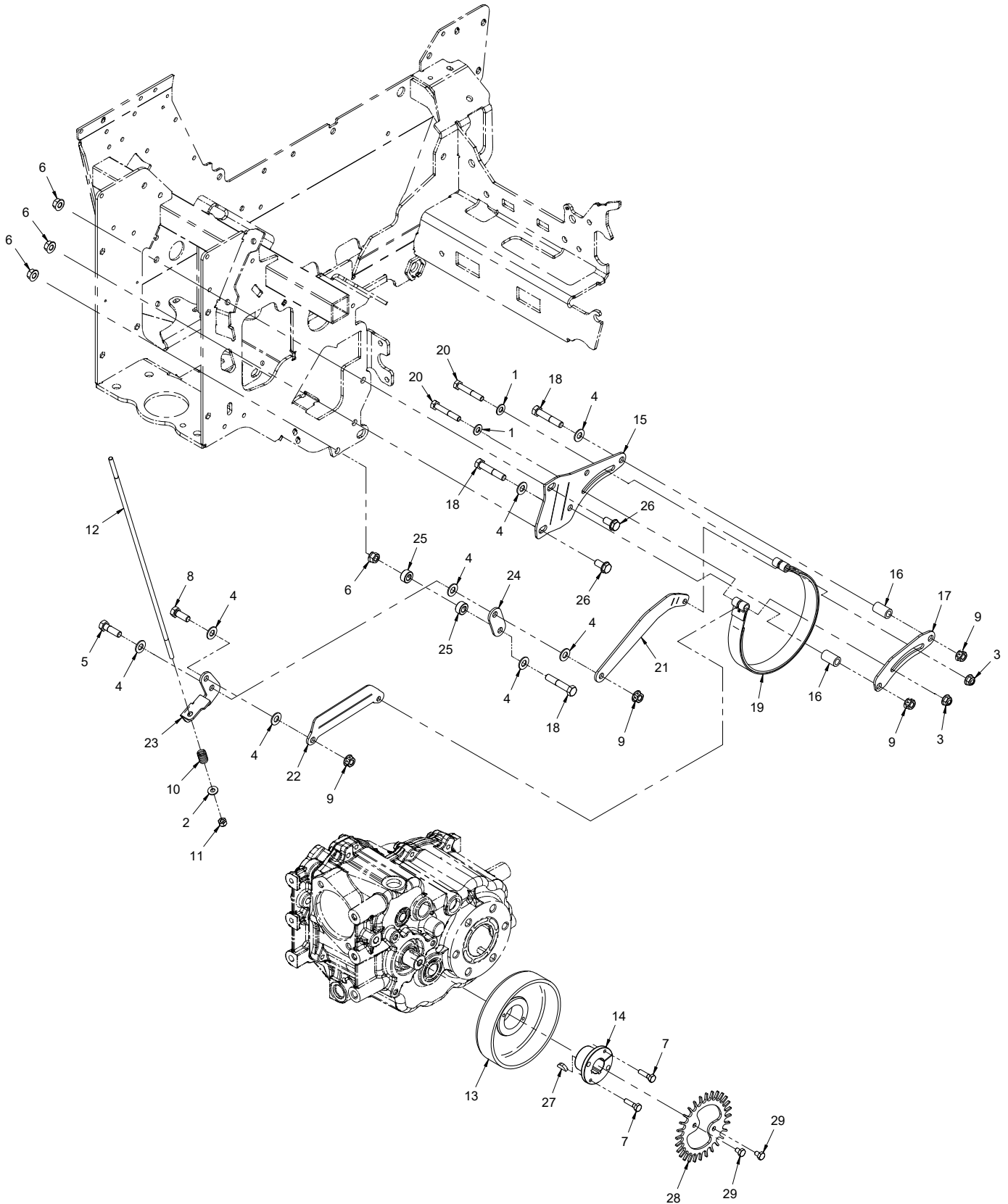
CONTROLS & LINKAGE

Parking Brake Handle, Brake Rod, & Shields

| REF. | PART NO. | DESCRIPTION | QTY. |
|------|-----------|---------------------------------|------|
| 1 | 99.SF04 | .NUT, SRF 1/4-20 USS | 3 |
| 2 | 99.E0046 | .NUT, "U" 1/4-20 EXTRUDED | 2 |
| 3 | 99.0406 | .BOLT, 1/4-20 X 3/4 BSCS | 2 |
| 4 | 60.1151 | .COVER, PUMP ACCESS RIGHT | 1 |
| 5 | 95.05 | .WASHER, FLAT 5/16 SAE | 4 |
| 6 | 90.0506 | .BOLT, 5/16-18 USS X 3/4" | 2 |
| 7 | 95.04 | .WASHER, FLAT 1/4 SAE | 1 |
| 8 | 99.SF05 | .NUT, SRF 5/16-18 USS | 2 |
| 9 | 90.0408 | .BOLT, 1/4-20 USS X 1" | 2 |
| 10 | 99.E0081 | .NUT, 1/4-28 LH GRADE 8 YZ | 1 |
| 11 | 99.0404 | .BOLT, 1/4-20 X 1/2 BSCS | 1 |
| 12 | 60.1142 | .COVER, PARKING BRAKE | 1 |
| 13 | 02.CP0406 | .COTTER PIN, 1/8 X 3/4 | 1 |
| 14 | 99.A04 | .LOCKNUT, STOVER 1/4-20 USS | 1 |
| 16 | 64.1626 | .ROCKER, PARK BRAKE TENSIONER | 1 |
| 17 | 42.0551 | .ROD, THREAD 1/4-28 X 20" RH/LH | 1 |
| 20 | 47.0351-1 | .LEVER, PARKING BRAKE | 1 |
| 21 | 43.004L | .ROD END, 1/4 SPHERICAL LH | 1 |
| 30 | 31.0058-1 | .SWITCH, MICRO PARKING BRAKE | 1 |
| 31 | 99.M0033 | .MACHINE SCREW, M4-0.7 X 14MM | 1 |
| 32 | 95.05 | .WASHER, FLAT 5/16 SAE | 2 |
| 33 | 91.0510 | .BOLT, 5/16-24 SAE X 1-1/4 | 2 |
| 34 | 99.A05NFN | .LOCKNUT, NYLON 5/16-24 SAE ZP | 2 |
| 35 | 64.1633 | .MOUNT, PARK BRAKE ROCKER | 1 |

CONTROLS & LINKAGE

ILLUSTRATED DRAWING Parking Brake Linkage & Brake Drum



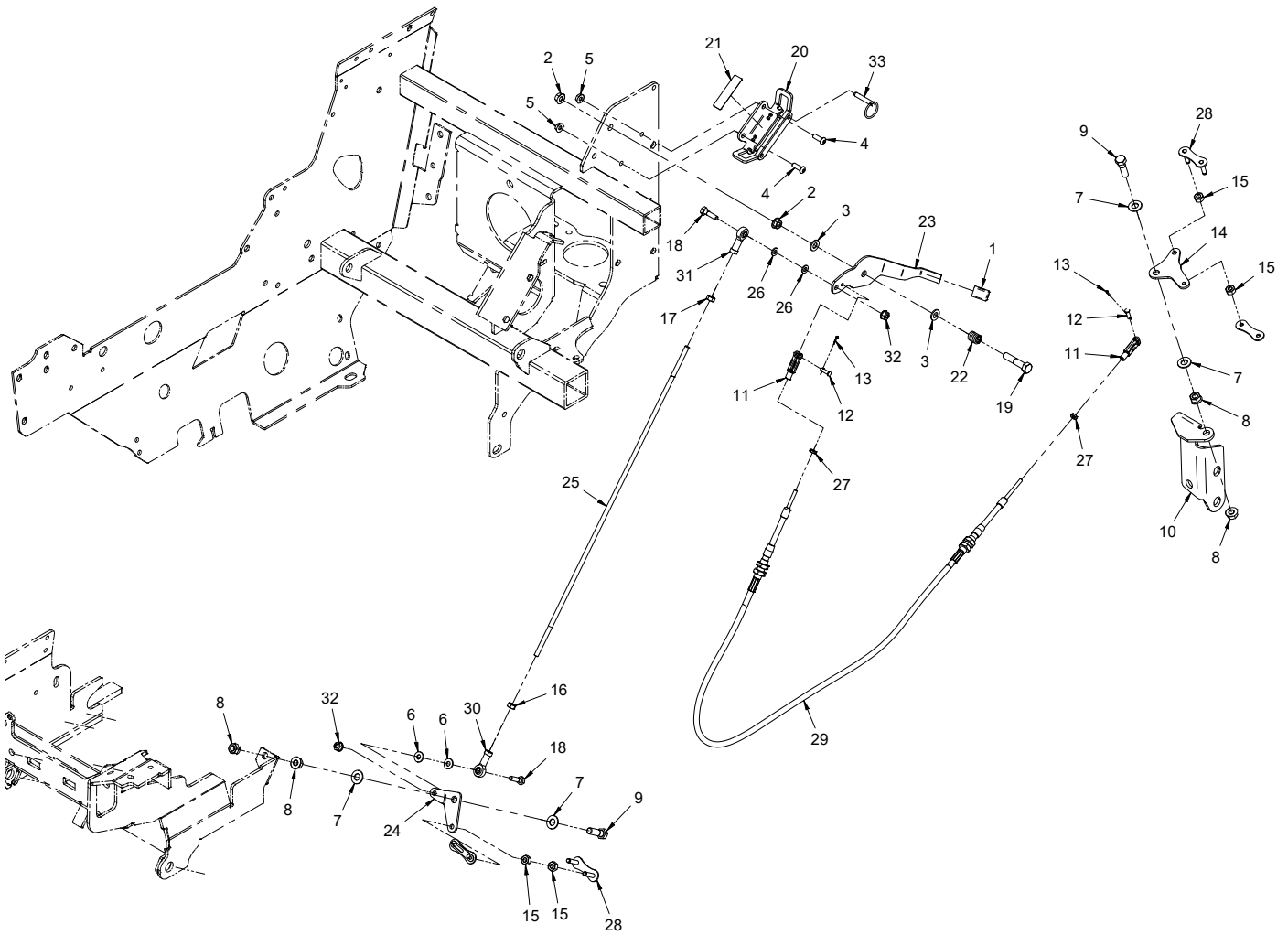
CONTROLS & LINKAGE

Parking Brake Linkage & Brake Drum

| REF. | PART NO. | DESCRIPTION | QTY. |
|------|-----------|-------------------------------------|------|
| 1 | 95.05 | .WASHER, FLAT 5/16 SAE | 2 |
| 2 | 95.04 | .WASHER, FLAT 1/4 SAE | 1 |
| 3 | 99.E0102 | .NUT, LOCKING FLANGE 5/16-18 | 2 |
| 4 | 95.06 | .WASHER, FLAT 3/8 SAE | 8 |
| 5 | 90.0610 | .BOLT, 3/8-16 USS X 1-1/4 | 1 |
| 6 | 99.SF06 | .NUT, SRF 3/8-16 USS | 4 |
| 7 | 90.0408 | .BOLT, 1/4-20 USS X 1 | 2 |
| 8 | 90.0608 | .BOLT, 3/8-16 USS X 1 | 1 |
| 9 | 99.E0082 | .NUT, LOCKING FLANGE 3/8-16 | 4 |
| 10 | 41.0108 | .SPRING, COMP. .531 OD X .780 LG | 1 |
| 11 | 99.A04NFN | .LOCKNUT, NYLON 1/4-28 | 1 |
| 12 | 42.0551 | .ROD, THREAD 1/4-28 X 20" RH/LH | 1 |
| 13 | 53.0134 | .DRUM, 6" BRAKE - W/TAPER HUB | 1 |
| 14 | 83.H16S-2 | .BUSHING, 1" SPLIT 3/16 * & 1/4 KEY | 1 |
| 15 | 64.1614 | .PLATE, BRAKE ANCHOR INNER | 1 |
| 16 | 64.0718 | .TUBE, RD .385 X 5/8 X 1-1/16L | 2 |
| 17 | 64.0920 | .PLATE, PARK BK MOUNT ALIGNMENT | 1 |
| 18 | 90.0616 | .BOLT, 3/8-16 USS X 2 | 3 |
| 19 | 53.0076 | .BAND, BRAKE FOR 6" DRUM | 1 |
| 20 | 90.0516 | .BOLT, 5/16-18 USS X 2" | 2 |
| 21 | 42.0441 | .LINK, PARK BK PULL | 1 |
| 22 | 42.0442 | .LINK, PARK BK PUSH | 1 |
| 23 | 64.1603 | .ROCKER, PARK BRAKE | 1 |
| 24 | 42.0443 | .LINK, PARK BK TORQUE | 1 |
| 25 | 85.SC06 | .SET COLLAR, 3/8" | 2 |
| 26 | 99.SF0606 | .BOLT, SRF 3/8-16 USS X 3/4 | 2 |
| 27 | 85.W0306 | .KEY, WOODRUFF 3/16 X 3/4 | 1 |
| 28 | 64.1606 | .PLATE, SPEED INDICATOR | 1 |
| 29 | 90.0403 | .BOLT, 1/4-20 USS X 3/8 | 2 |

CONTROLS & LINKAGE

ILLUSTRATED DRAWING High/Low Range Shift Linkage



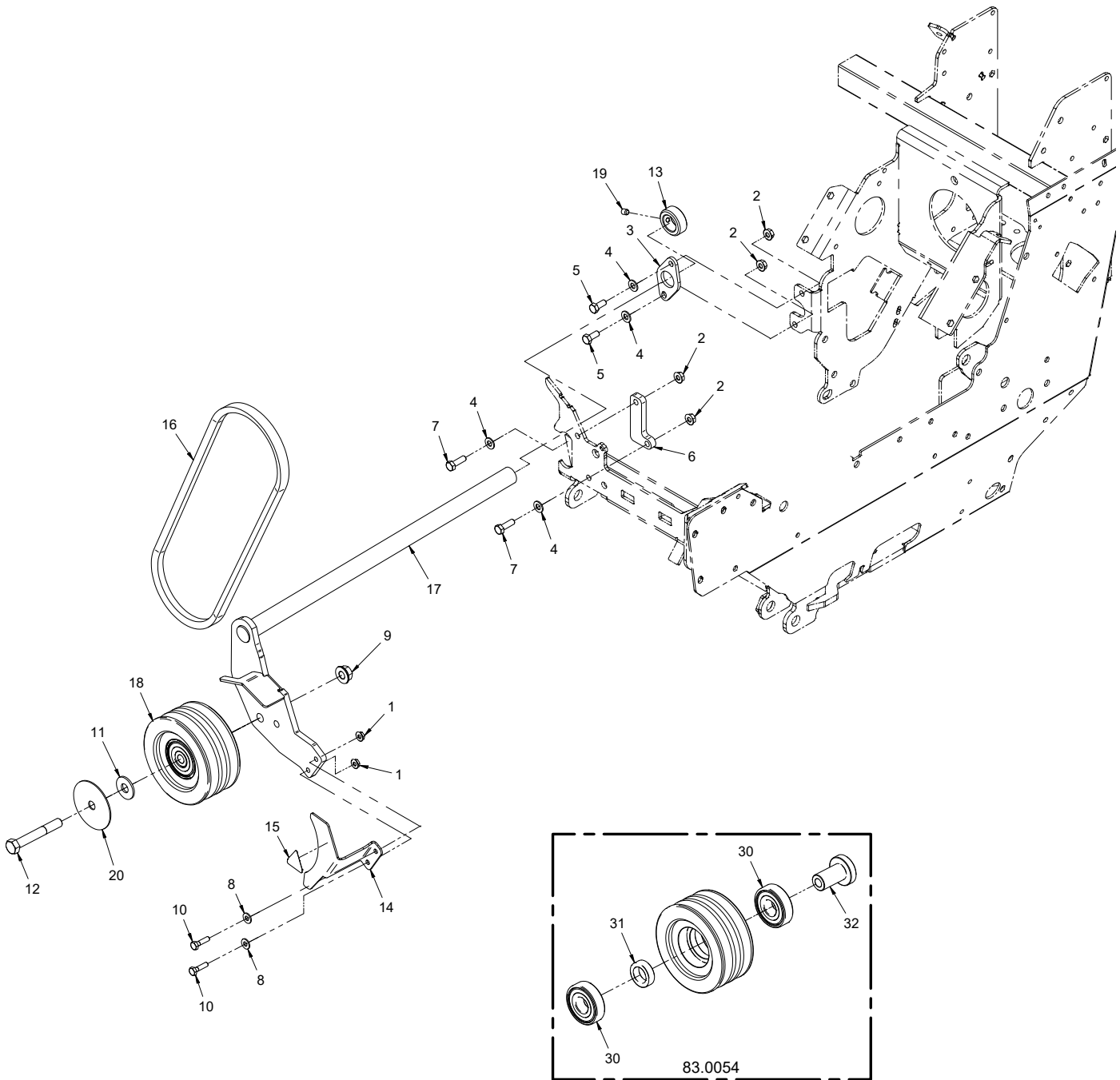
CONTROLS & LINKAGE

High/Low Range Shift Linkage

| REF. | PART NO. | DESCRIPTION | QTY. |
|------|-----------|--|------|
| 1 | 06.0044 | .CAP, PLASTIC 1/8 X 1/2 X 7/8 | 1 |
| 2 | 99.SF05 | .NUT, SRF 5/16-18 USS | 2 |
| 3 | 95.05 | .WASHER, FLAT 5/16 SAE | 2 |
| 4 | 99.0406 | .BOLT, 1/4-20 X 3/4 BSCS | 2 |
| 5 | 99.SF04 | .NUT, SRF 1/4-20 USS | 2 |
| 6 | 95.04 | .WASHER, FLAT 1/4 SAE | 2 |
| 7 | 95.06 | .WASHER, FLAT 3/8 SAE | 4 |
| 8 | 99.SF06 | .NUT, SRF 3/8-16 USS | 4 |
| 9 | 90.0610 | .BOLT, 3/8-16 USS X 1-1/4 | 2 |
| 10 | 64.1591 | .BRACKET, REAR HITCH MT RIGHT | 1 |
| 11 | 43.C10-32 | .CLEVIS END, #10-32 3/16 HOLE | 2 |
| 12 | 03.0305 | .CLEVIS PIN, 3/16 X 5/8 ZP | 2 |
| 13 | 02.CP0204 | .COTTER PIN, 1/16 X 1/2 | 2 |
| 14 | 40.0373 | .ARM, HIGH/LOW SHIFT ROCKER | 1 |
| 15 | 92.05 | .NUT, 5/16-18 USS | 4 |
| 16 | 93.04 | .NUT, 1/4-28 SAE | 1 |
| 17 | 99.E0081 | .NUT, 1/4-28 LH GRADE 8 YZ | 1 |
| 18 | 90.0408 | .BOLT, 1/4-20 USS X 1" | 2 |
| 19 | 90.0614 | .BOLT, 3/8-16 USS X 1-3/4 | 1 |
| 20 | 64.1618 | .BRACKET, HIGH/LOW SHIFT SELECT (Serial # 01001-01745) | 1 |
| 20 | 64.1784 | .BRACKET, HIGH/LOW SHIFT LOCK (Serial # 01746-) | 1 |
| 21 | 00.0313 | .DECAL, HIGH/LOW RANGE | 1 |
| 22 | 41.0039 | .SPRING, COMP. 9/16 OD X 5/8 | 1 |
| 23 | 40.0379 | .LEVER, HIGH/LOW SHIFT | 1 |
| 24 | 64.0703 | .PLATE, FRONT SHIFT PIVOT | 1 |
| 25 | 42.0561 | .ROD, THREAD 1/4-28X21.00 RH/LH | 1 |
| 26 | 99.B0109 | .WASHER, 1/4ID, .50 OD X .062T | 2 |
| 27 | 99.E0034 | .NUT, #10-32 | 2 |
| 28 | 81.0124 | .LINK, CONN #60 DOUBLE PITCH | 2 |
| 29 | 47.0122 | .CABLE, HI-LOW SHIFT | 1 |
| 30 | 43.004 | .ROD END, 1/4 SPHERICAL | 1 |
| 31 | 43.004L | .ROD END, 1/4 SPHERICAL LH | 1 |
| 32 | 99.E0101 | .NUT, LOCKING FLANGE 1/4-20 | 2 |
| 33 | 03.0022 | .PIN, BALL 1/4" X 1" (Serial # 01746-) | 1 |

CONTROLS & LINKAGE

ILLUSTRATED DRAWING PTO Idler Pulley & Idler Arm



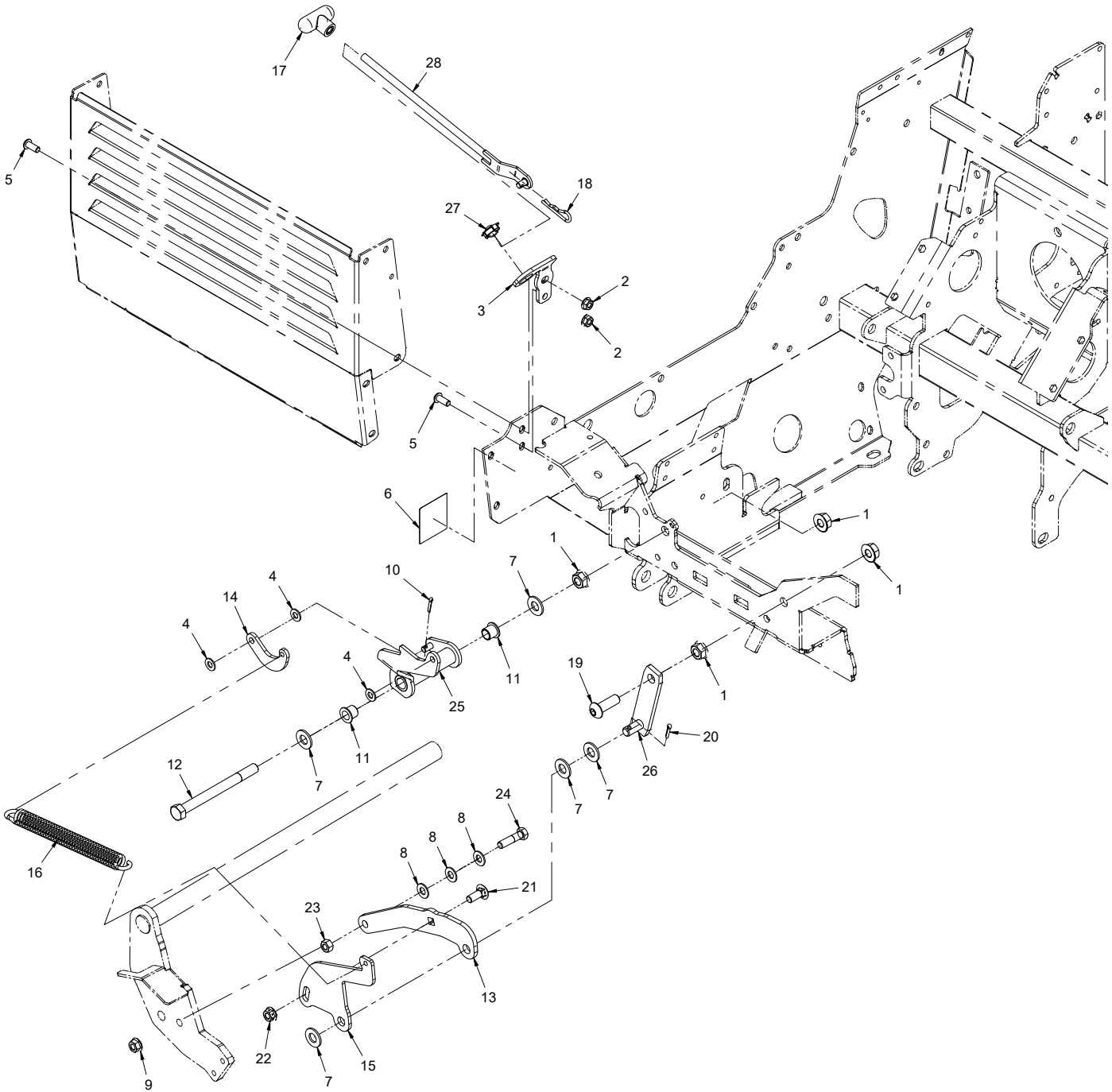
CONTROLS & LINKAGE

PTO Idler Pulley & Idler Arm

| REF. | PART NO. | DESCRIPTION | QTY. |
|------|-----------|----------------------------------|------|
| 1 | 99.SF04 | .NUT, SRF 1/4-20 USS | 2 |
| 2 | 99.SF05 | .NUT, SRF 5/16-18 USS | 4 |
| 3 | 64.1702 | .PLATE, PTO ARM HANGER | 1 |
| 4 | 95.05 | .WASHER, FLAT 5/16 SAE | 4 |
| 5 | 90.0506 | .BOLT, 5/16-18 USS X 3/4" | 2 |
| 6 | 64.1699 | .PLATE, PTO WEARBAR | 1 |
| 7 | 90.0508 | .BOLT, 5/16-18 USS X 1" | 2 |
| 8 | 95.04 | .WASHER, FLAT 1/4 SAE | 2 |
| 9 | 99.E0103 | .NUT, LOCKING FLANGE 1/2-13 | 1 |
| 10 | 90.0408 | .BOLT, 1/4-20 USS X 1" | 2 |
| 11 | 94.08 | .WASHER, FLAT 1/2 USS | 1 |
| 12 | 90.0828 | .BOLT, 1/2-13 USS X 3-1/2 | 1 |
| 13 | 85.SC16-1 | .SET COLLAR, 1.015" | 1 |
| 14 | 60.1135 | .GUARD, PTO IDLER PULLEY | 1 |
| 15 | 00.0339 | .DECAL, MOVING PARTS | 1 |
| 16 | 81.B038 | .BELT, B38 | 1 |
| 17 | 40.0378 | .ARM, PTO IDLER | 1 |
| 18 | 83.0054 | .PULLEY, IDLER 2 GROOVE ASM | 1 |
| 19 | 85.SS18 | .SET SCREW, 5/16-18 X 3/8 | 1 |
| 20 | 60.1279 | .COVER, PULLEY (Serial # 04776-) | 1 |
| 30 | 55.0064 | .BEARING, BALL 25 MM X 62 MM | 2 |
| 31 | 85.B0085 | .BUSHING, BEARING SPACER | 1 |
| 32 | 85.B0084 | .BUSHING, DRIVE PULLEY | 1 |

CONTROLS & LINKAGE

ILLUSTRATED DRAWING PTO Belt Tension Linkage



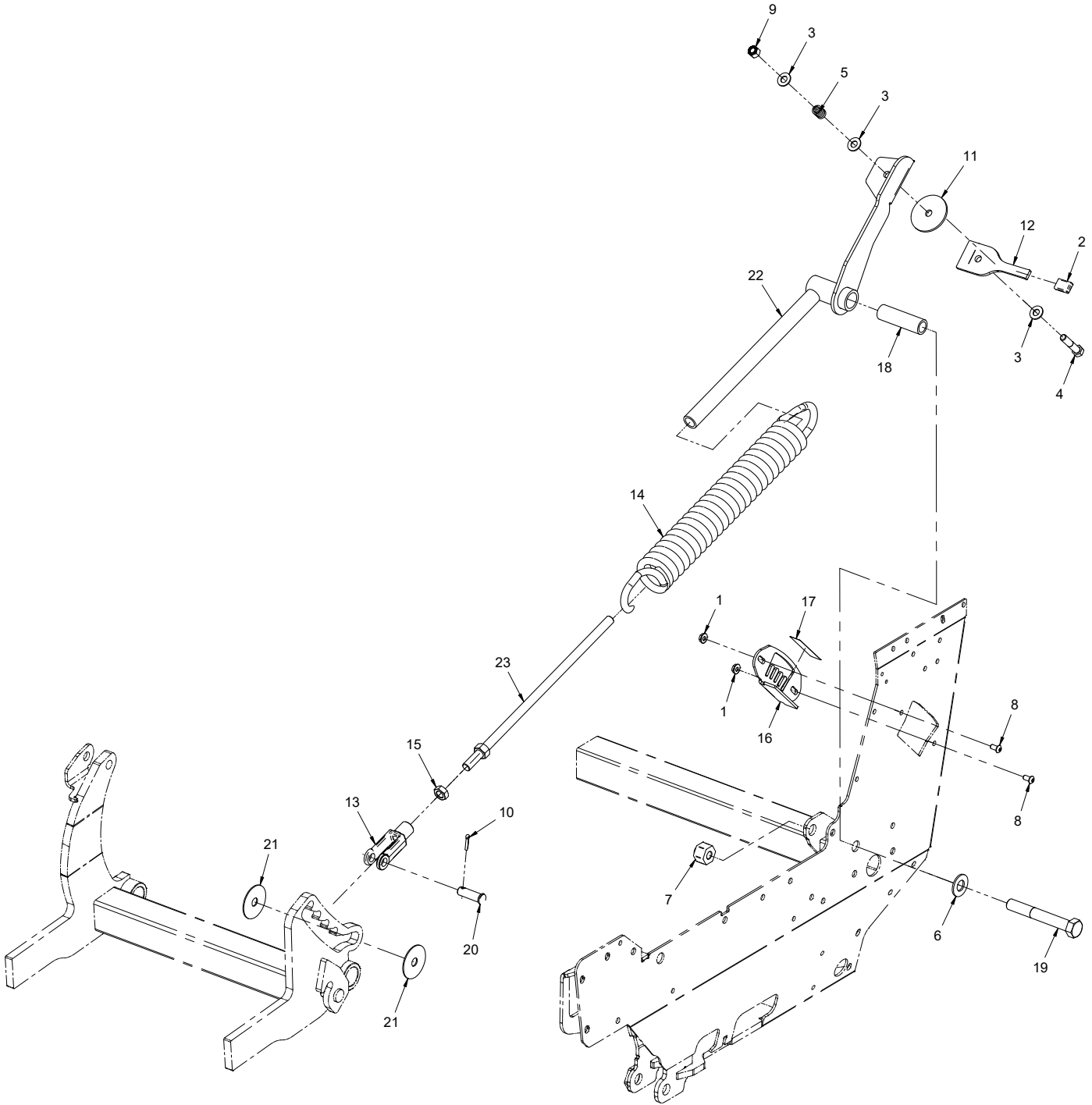
CONTROLS & LINKAGE

PTO Belt Tension Linkage

| REF. | PART NO. | DESCRIPTION | QTY. |
|------|-----------|---|------|
| 1 | 99.SF08 | .NUT, SRF 1/2-13 USS. | 4 |
| 2 | 99.SF05 | .NUT, SRF 5/16-18 USS. | 2 |
| 3 | 64.1616 | .BRACKET, BELT RELEASE PIVOT | 1 |
| 4 | 95.05 | .WASHER, FLAT 5/16 SAE | 3 |
| 5 | 99.0506 | .BOLT, 5/16-18 X 3/4 BSCS. | 2 |
| 6 | 00.0319 | .DECAL, PTO TENSION | 1 |
| 7 | 95.08 | .WASHER, FLAT 1/2 SAE | 5 |
| 8 | 95.06 | .WASHER, FLAT 3/8 SAE | 3 |
| 9 | 99.SF06 | .NUT, SRF 3/8-16 USS. | 1 |
| 10 | 02.CP0406 | .COTTER PIN, 1/8 X 3/4 | 1 |
| 11 | 85.B0027 | .BUSHING, 1/2 ID X 5/8 OD X 5/8. | 2 |
| 12 | 90.0844 | .BOLT, 1/2-13 USS X 5-1/2. | 1 |
| 13 | 42.0552 | .LINK, PTO IDLER PUSH ARM (Serial # 01001-05178). | 1 |
| 13 | 42.0584 | .LINK, PTO IDLER PUSH ARM (Serial # 05179-). | 1 |
| 14 | 42.0557 | .LINK, PTO BELT TENSIONER | 1 |
| 15 | 42.0559 | .LINK, PTO TENSIONER ADJUSTER | 1 |
| 16 | 41.0056 | .SPRING, EXT 7/8 OD X 8-1/2 LNG | 1 |
| 17 | 47.0330 | .KNOB, BAR 2-1/4 X 3/8-16. | 1 |
| 18 | 02.HP0416 | .HAIRPIN, 1/8 X 2. | 1 |
| 19 | 99.0812 | .BOLT, 1/2-13 X 1-1/2 BSCS | 1 |
| 20 | 02.CP0506 | .COTTER PIN, 5/32 X 3/4 | 1 |
| 21 | 90.0608 | .BOLT, 3/8-16 USS X 1 (Serial # 01001-05178). | 1 |
| 21 | 97.0608 | .BOLT, CARRIAGE 3/8 X 1 (Serial # 05179-) | 1 |
| 22 | 99.E0082 | .NUT, LOCKING FLANGE 3/8-16 | 1 |
| 23 | 92.06 | .NUT, 3/8-16 USS | 1 |
| 24 | 90.0612 | .BOLT, 3/8-16 USS X 1-1/2. | 1 |
| 25 | 64.1627 | .ROCKER, PTO IDLER ARM TENSION. | 1 |
| 26 | 64.1610 | .ROCKER, PTO TENSIONER. | 1 |
| 27 | 55.0082 | .BEARING, SPHERICAL 10MM ID | 1 |
| 28 | 42.0554 | .ROD, PTO BELT TENSIONER | 1 |

CONTROLS & LINKAGE

ILLUSTRATED DRAWING Weight Transfer



CONTROLS & LINKAGE

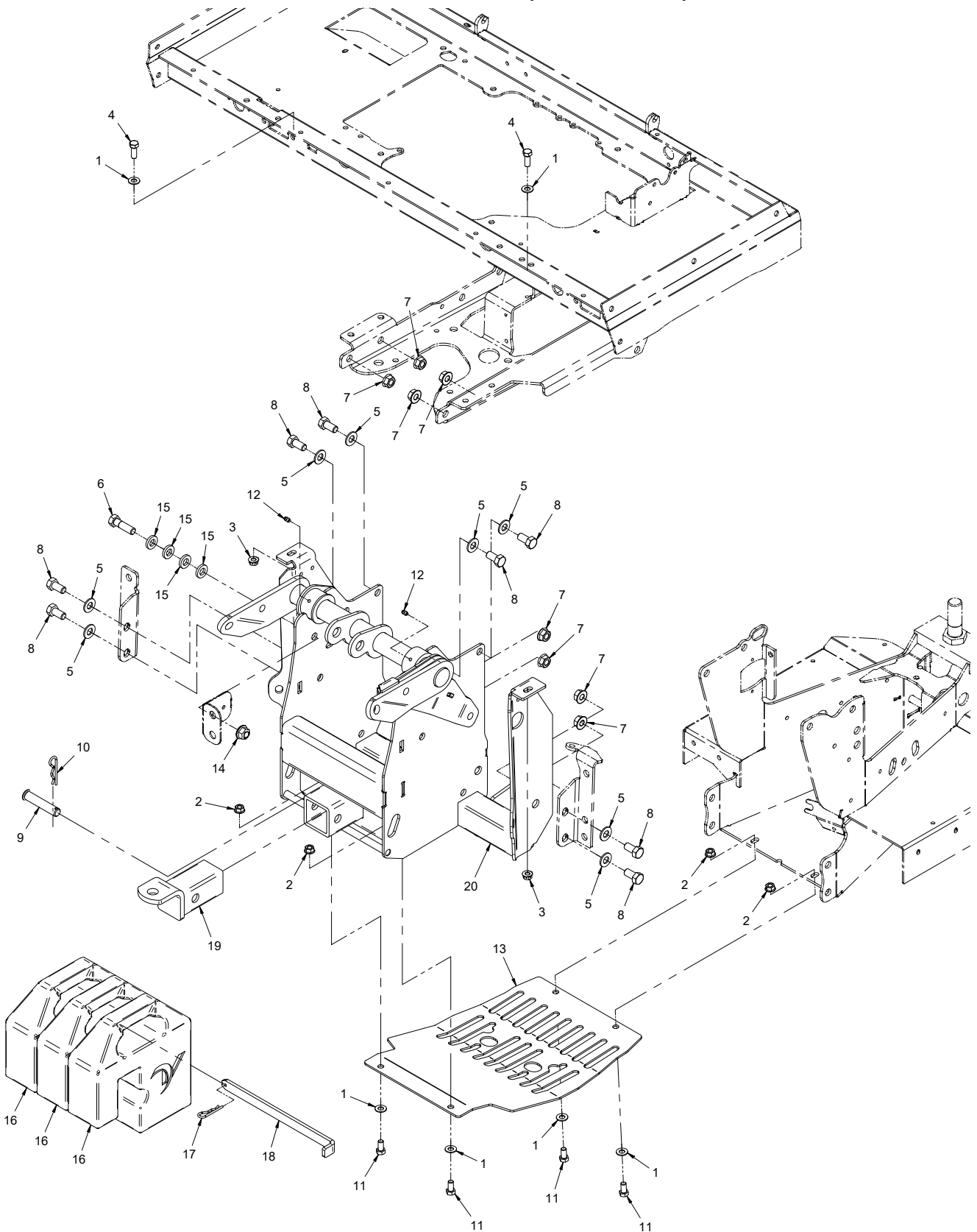
Weight Transfer

| REF. | PART NO. | DESCRIPTION | QTY. |
|------|-------------|----------------------------------|------|
| 1 | 99.SF04 | .NUT, SRF 1/4-20 USS. | 2 |
| 2 | 06.0044 | .CAP, PLASTIC 1/8 X 1/2 X 7/8 | 1 |
| 3 | 95.06 | .WASHER, FLAT 3/8 SAE | 3 |
| 4 | 90.0614 | .BOLT, 3/8-16 USS X 1-3/4. | 1 |
| 5 | 41.0039 | .SPRING, COMP. 9/16 OD X 5/8. | 1 |
| 6 | 95.10 | .WASHER, FLAT 5/8 SAE | 1 |
| 7 | 99.E0095 | .LOCKNUT, 5/8-11 HEAVY NYLON | 1 |
| 8 | 99.0404 | .BOLT, 1/4-20 X 1/2 BSCS | 2 |
| 9 | 99.A06N | .LOCKNUT, NYLON 3/8-16 USS. | 1 |
| 10 | 02.CP0506 | .COTTER PIN, 5/32 X 3/4 | 1 |
| 11 | 05.0002 | .WASHER, FRIC. 2-1/4 X 13/32. | 1 |
| 12 | 40.0381 | .LEVER, WEIGHT TRANSFER SELECT. | 1 |
| 13 | 43.C08-1R-B | .CLEVIS END, 1/2-20 RH MOD. | 1 |
| 14 | 70.4115* | .KIT, WEIGHT TRANSFER 4500. | 1 |
| 15 | 99.E0079 | .NUT, JAM 1/2-20 RH ZP | 1 |
| 16 | 64.1619 | .BRACKET, WT. TRANSFER SELECTOR. | 1 |
| 17 | 00.0314 | .DECAL, WEIGHT TRANSFER. | 1 |
| 18 | 64.1612 | .BUSHING, PIVOT WEIGHT TRANSFER | 1 |
| 19 | 90.1036 | .BOLT, 5/8-11 USS X 4-1/2. | 1 |
| 20 | 03.0812 | .CLEVIS PIN, 1/2 X 1-1/2. | 1 |
| 21 | 99.B0099 | .WASHER, FENDER 1/2" X 2" OD ZP | 2 |
| 22 | 40.0380 | .ARM, WEIGHT TRANSFER. | 1 |
| 23 | 42.0555 | .ROD, WEIGHT TRANSFER ADJUSTER | 1 |

*Weight transfer spring cannot be replaced separately. Order kit # 70.4115 and follow the kit instructions to replace with pre-assembled components.

OPTIONS

ILLUSTRATED DRAWING 3 Point Hitch Frame (Kit #70.4100)



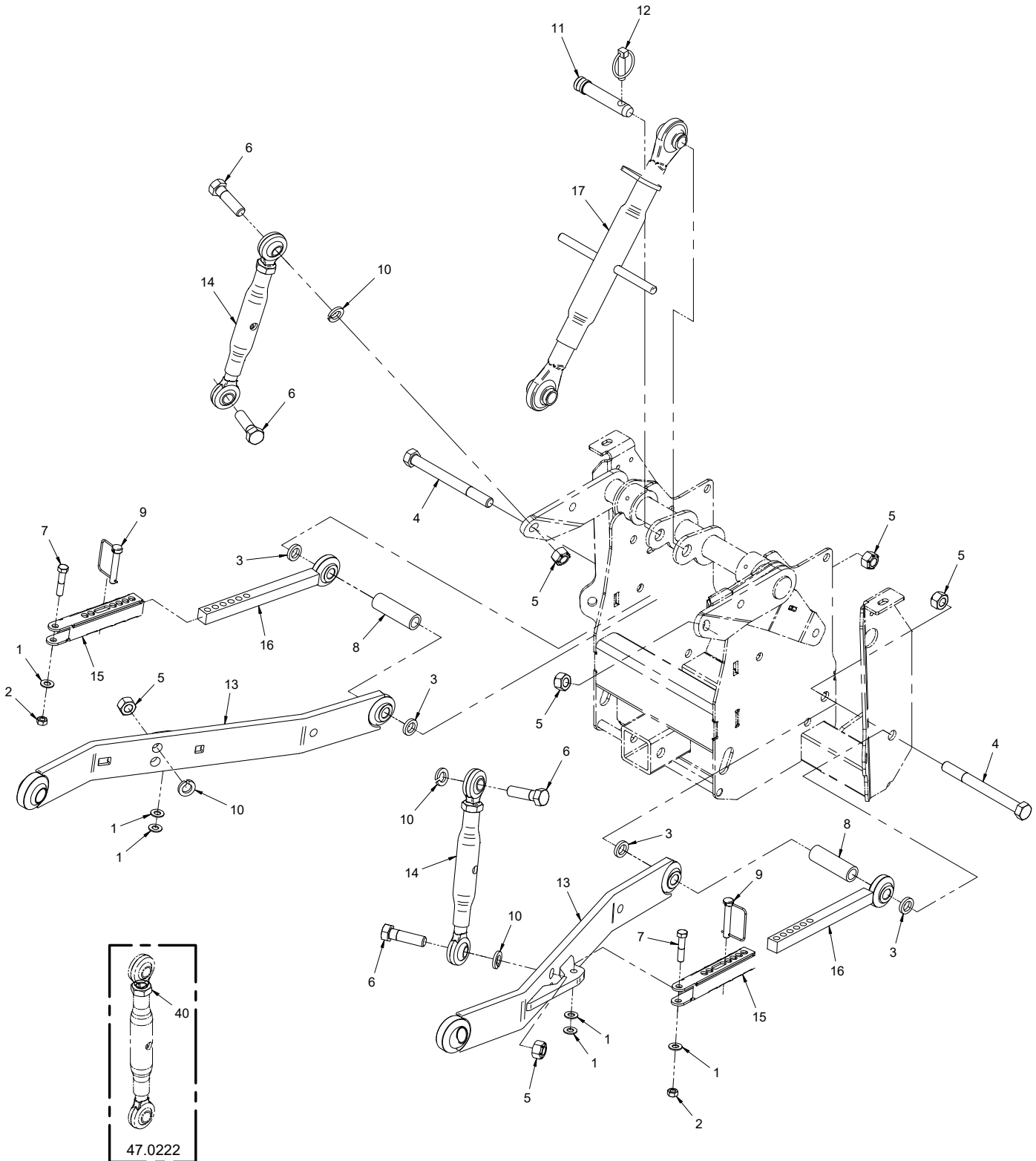
OPTIONS

3 Point Hitch Frame (Kit #70.4100)

| REF. | PART NO. | DESCRIPTION | QTY. |
|------|-----------|--------------------------------|------|
| 1 | 95.06 | .WASHER, FLAT 3/8 SAE | 6 |
| 2 | 99.SF06 | .NUT, SRF 3/8-16 USS. | 4 |
| 3 | 99.E0082 | .NUT, LOCKING FLANGE 3/8-16 | 2 |
| 4 | 90.0608 | .BOLT, 3/8-16 USS X 1. | 2 |
| 5 | 95.08 | .WASHER, FLAT 1/2 SAE | 8 |
| 6 | 90.0814 | .BOLT, 1/2-13 USS X 1-3/4. | 1 |
| 7 | 99.SF08 | .NUT, SRF 1/2-13 USS. | 8 |
| 8 | 90.0808 | .BOLT, 1/2-13 USS X 1. | 8 |
| 9 | 03.1024 | .CLEVIS PIN, 5/8 X 3 OAL. | 1 |
| 10 | 02.HP0420 | .HAIRPIN, 1/8 X 2 1/2. | 1 |
| 11 | 90.0606 | .BOLT, 3/8-16 USS X 3/4 | 4 |
| 12 | 29.GF0001 | .GREASE FTG, 1/4 SAE ST | 2 |
| 13 | 64.1868 | .PLATE, REAR AXLE SKID W/3PT. | 1 |
| 14 | 99.E0103 | .NUT, LOCKING FLANGE 1/2-13 | 1 |
| 15 | 99.B0092 | .WASHER, 17/32ID X 1"OD X .165 | 4 |
| 16 | 47.0115-1 | .WEIGHT, SUITCASE - 42 LBS | 3 |
| 17 | 02.HP0416 | .HAIRPIN, 1/8 X 2. | 1 |
| 18 | 64.1312 | .PIN, WEIGHT RETAINER | 1 |
| 19 | 62.0968 | .HITCH, REAR | 2 |
| 20 | 62.1365 | .FRAME, MAIN 3-POINT HITCH. | 1 |

OPTIONS

ILLUSTRATED DRAWING 3 Point Hitch Arms (Kit #70.4100)



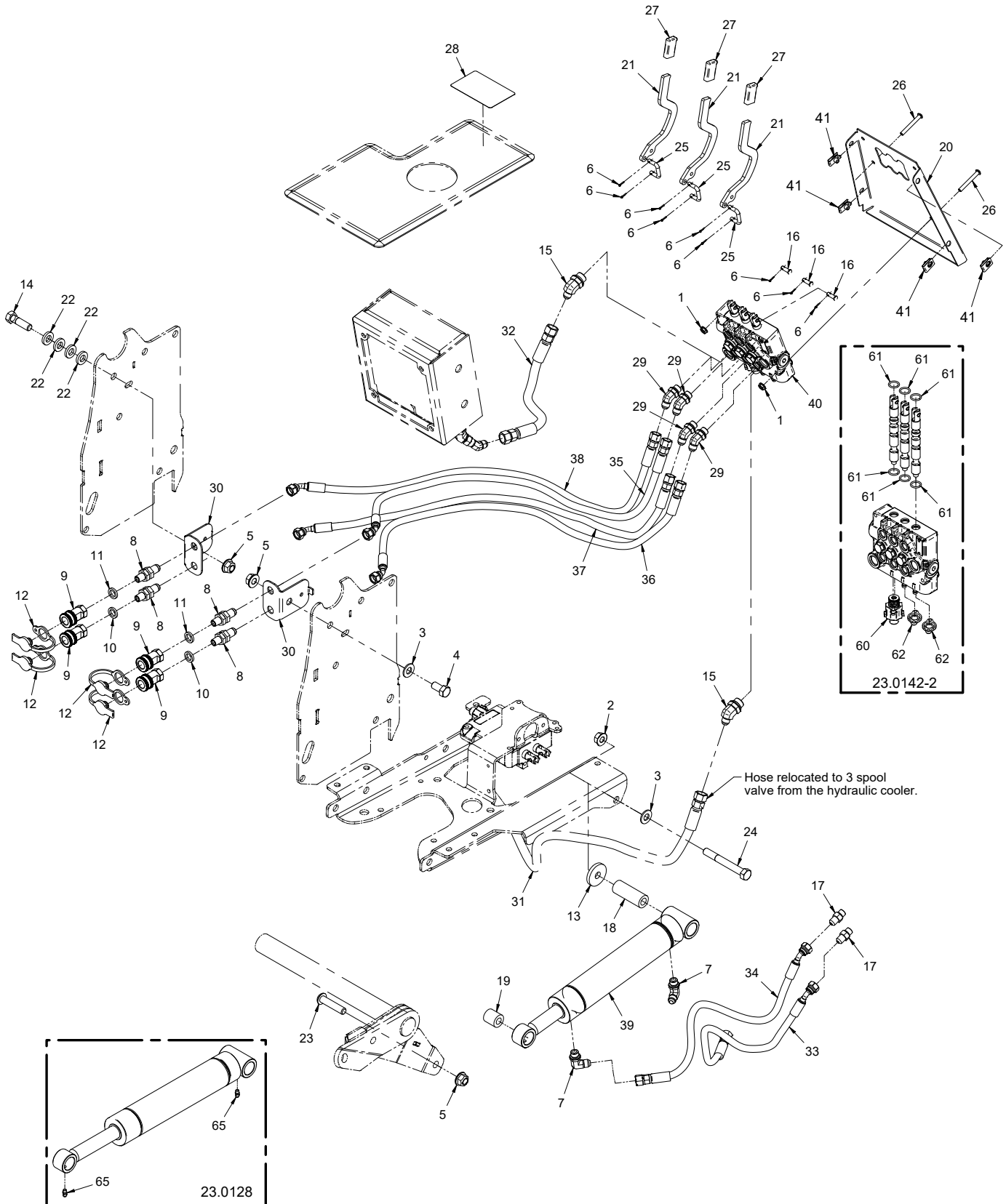
OPTIONS

3 Point Hitch Arms (Kit #70.4100)

| REF. | PART NO. | DESCRIPTION | QTY. |
|------|----------|--------------------------------|------|
| 1 | 95.06 | .WASHER, FLAT 3/8 SAE | 6 |
| 2 | 99.A06 | .LOCKNUT, STOVER 3/8-16 USS | 2 |
| 3 | 99.B0061 | .WASHER, 3/16 X 21/32 X 1 1/32 | 4 |
| 4 | 90.1052 | .BOLT, 5/8-11 USS X 6-1/2 | 2 |
| 5 | 99.A10 | .LOCKNUT, STOVER 5/8-11 USS | 6 |
| 6 | 90.1018 | .BOLT, 5/8-11 USS X 2-1/4 | 4 |
| 7 | 90.0614 | .BOLT, 3/8-16 USS X 1-3/4 | 2 |
| 8 | 64.1247 | .BUSHING, HITCH ARM SPACER | 2 |
| 9 | 03.0001 | .PIN, SAFETY SNAP 3/8 X 1-3/4" | 2 |
| 10 | 96.10 | .WASHER, LOCK 5/8 | 4 |
| 11 | 03.0004 | .PIN, TOP LINK CATEGORY 1 | 1 |
| 12 | 03.0005 | .PIN, LYNCH 7/16 X 1-3/4 | 1 |
| 13 | 40.0365 | .ARM, UNIVERSAL LIFT | 2 |
| 14 | 47.0222 | .TOP LINK, CAT. #0, ADJUSTABLE | 2 |
| 15 | 42.0402 | .LINK, SWAYBAR 3-POINT FEMALE | 2 |
| 16 | 42.0403 | .LINK, SWAYBAR 3-PT MALE | 2 |
| 17 | 42.0406 | .LINK, TOP CAT #1 COMPLETE | 1 |
| 40 | 99.E0087 | .NUT, JAM 3/4-10 USS | 1 |

OPTIONS

ILLUSTRATED DRAWING 3 Point Hitch Hydraulics (Kit #70.4100)



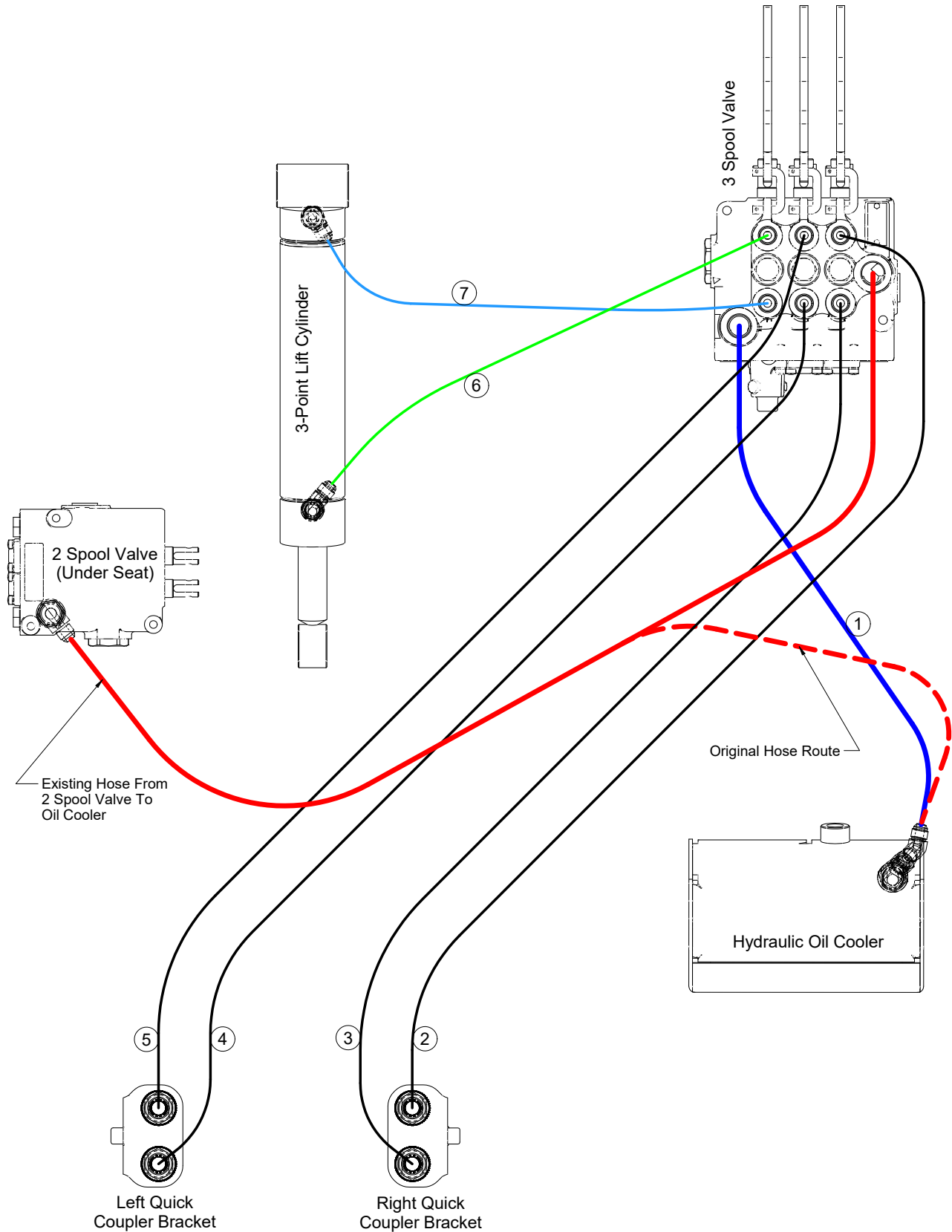
OPTIONS

3 Point Hitch Hydraulics (Kit #70.4100)

| REF. | PART NO. | DESCRIPTION | QTY. |
|------|-----------------|--|------|
| 1 | 99.SF04 | .NUT, SRF 1/4-20 USS | 2 |
| 2 | 99.SF08 | .NUT, SRF 1/2-13 USS | 1 |
| 3 | 95.08 | .WASHER, FLAT 1/2 SAE | 2 |
| 4 | 90.0808 | .BOLT, 1/2-13 USS X 1 | 1 |
| 5 | 99.E0103 | .NUT, LOCKING FLANGE 1/2-13 | 3 |
| 6 | 02.CP0204 | .COTTER PIN, 1/16 X 1/2 | 9 |
| 7 | 25.6801-06-06 | .FITTING, 90 ME 3/8 X 3/8 | 2 |
| 8 | 25.2706-04-06LN | .FITTING, BULKHEAD W/ LOCKNUT | 4 |
| 9 | 23.0106 | .COUPLER, HYDRAULIC QUICK - 1/4 FEMALE | 4 |
| 10 | 05.0116 | .WASHER, .544 ID X .817 X .14 RED | 2 |
| 11 | 05.0117 | .WASHER, .544 ID X .817 X .14 YEL | 2 |
| 12 | 23.0126 | .PLUG, DUST FOR 23.0106 | 4 |
| 13 | 99.B0064 | .WASHER, 1/4 X 1.75 X .531 HOLE | 1 |
| 14 | 90.0814 | .BOLT, 1/2-13 USS X 1-3/4 | 1 |
| 15 | 25.6802-06-08 | .FITTING, 45 ME 3/8 X 1/2 | 2 |
| 16 | 03.0406 | .CLEVIS PIN, 1/4 X 3/4 | 3 |
| 17 | 25.6400-06-06 | .FITTING, M CONN 3/8 X 3/8 | 2 |
| 18 | 64.1722 | .BUSHING, STEEL .563 X 1.000 | 1 |
| 19 | 64.0749 | .BUSHING, STEEL 0.516 X 1.000 | 1 |
| 20 | 60.1129 | .PANEL, TOOLBOX FRONT 3PT | 1 |
| 21 | 40.0382 | .LEVER, KN 3PT HYD HANDLE | 3 |
| 22 | 99.B0092 | .WASHER, 17/32ID X 1"OD X .165 | 4 |
| 23 | 99.0818 | .BOLT, 1/2-13 X 2-1/4 BSCS | 1 |
| 24 | 90.0832 | .BOLT, 1/2-13 USS X 4 | 1 |
| 25 | 23.0142-6 | .LINK, VALVE HANDLE "C" | 3 |
| 26 | 99.0416 | .BOLT, 1/4-20 X 2 BSCS | 2 |
| 27 | 06.0058 | .CAP, PLASTIC 1/4 X 5/8 X 1-1/2 | 3 |
| 28 | 00.0327 | .DECAL, 3PT HITCH | 1 |
| 29 | 25.6802-06-06 | .FITTING, 45 ME 3/8 X 3/8 | 4 |
| 30 | 64.1701 | .BRACKET, HYD. QUICK COUPLER | 2 |
| 31 | 20.0299 | .HOSE, 3/8X32.00 SAE 100R17 AR | 1 |
| 32 | 20.0307 | .HOSE, 3/8X12.00 SAE 100R17 AR | 1 |
| 33 | 20.0308 | .HOSE, 1/4X23.00 SAE 100R17 AR | 1 |
| 34 | 20.0308 | .HOSE, 1/4X23.00 SAE 100R17 AR | 1 |
| 35 | 20.0309 | .HOSE, 1/4X33.00 SAE 100R17 AR | 1 |
| 36 | 20.0309 | .HOSE, 1/4X33.00 SAE 100R17 AR | 1 |
| 37 | 20.0309 | .HOSE, 1/4X33.00 SAE 100R17 AR | 1 |
| 38 | 20.0309 | .HOSE, 1/4X33.00 SAE 100R17 AR | 1 |
| 39 | 23.0128 | .CYLINDER, 2" X 8" LIFT | 1 |
| 40 | 23.0142-2 | .VALVE, 3 SPOOL W/RH FLOAT | 1 |
| 41 | 99.E0046 | .NUT, "U" 1/4-20 EXTRUDED | 4 |
| 60 | 23.0111-7 | .KIT, SPOOL FLOAT HYD. VALVE | 1 |
| 61 | 26.0027 | .O-RING, 5/8ID X 13/16OD X 3/32 | 6 |
| 62 | 23.0111-8 | .CAP, VALVE | 2 |
| 65 | 29.GF0001 | .GREASE FTG, 1/4 SAE ST | 2 |

OPTIONS

ILLUSTRATED DRAWING 3 Point Hitch Hydraulic Diagram (Kit #70.4100)



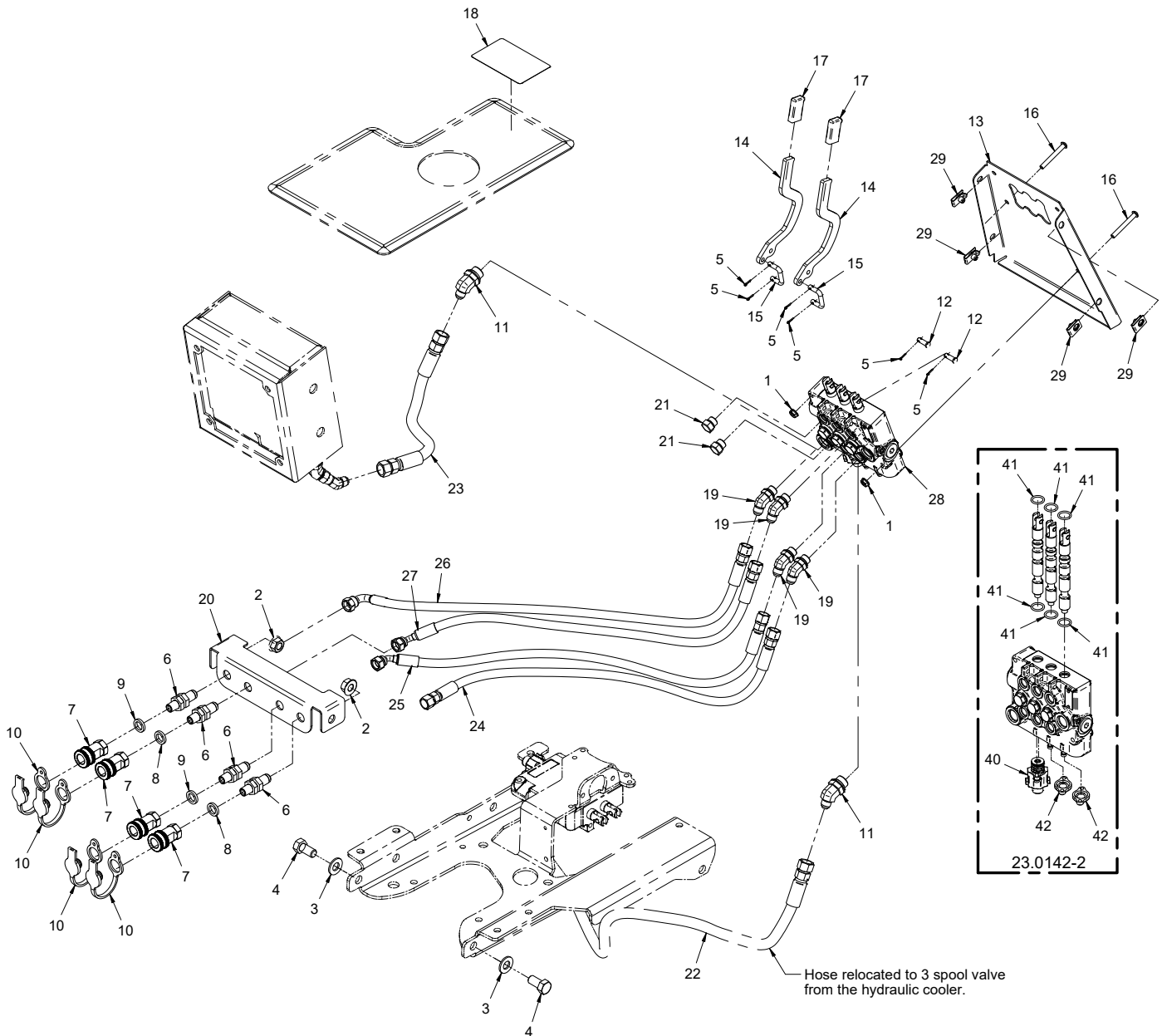
OPTIONS

3 Point Hitch Hydraulic Diagram (Kit #70.4100)

| REF. | PART NO. | DESCRIPTION | QTY. |
|------|----------|--------------------------------|------|
| 1 | 20.0307 | .HOSE, 3/8X12.00 SAE 100R17 AR | 1 |
| 2 | 20.0309 | .HOSE, 1/4X33.00 SAE 100R17 AR | 1 |
| 3 | 20.0309 | .HOSE, 1/4X33.00 SAE 100R17 AR | 1 |
| 4 | 20.0309 | .HOSE, 1/4X33.00 SAE 100R17 AR | 1 |
| 5 | 20.0309 | .HOSE, 1/4X33.00 SAE 100R17 AR | 1 |
| 6 | 20.0308 | .HOSE, 1/4X23.00 SAE 100R17 AR | 1 |
| 7 | 20.0308 | .HOSE, 1/4X23.00 SAE 100R17 AR | 1 |

OPTIONS

ILLUSTRATED DRAWING Rear Hydraulic Valve (Kit # 70.4126)



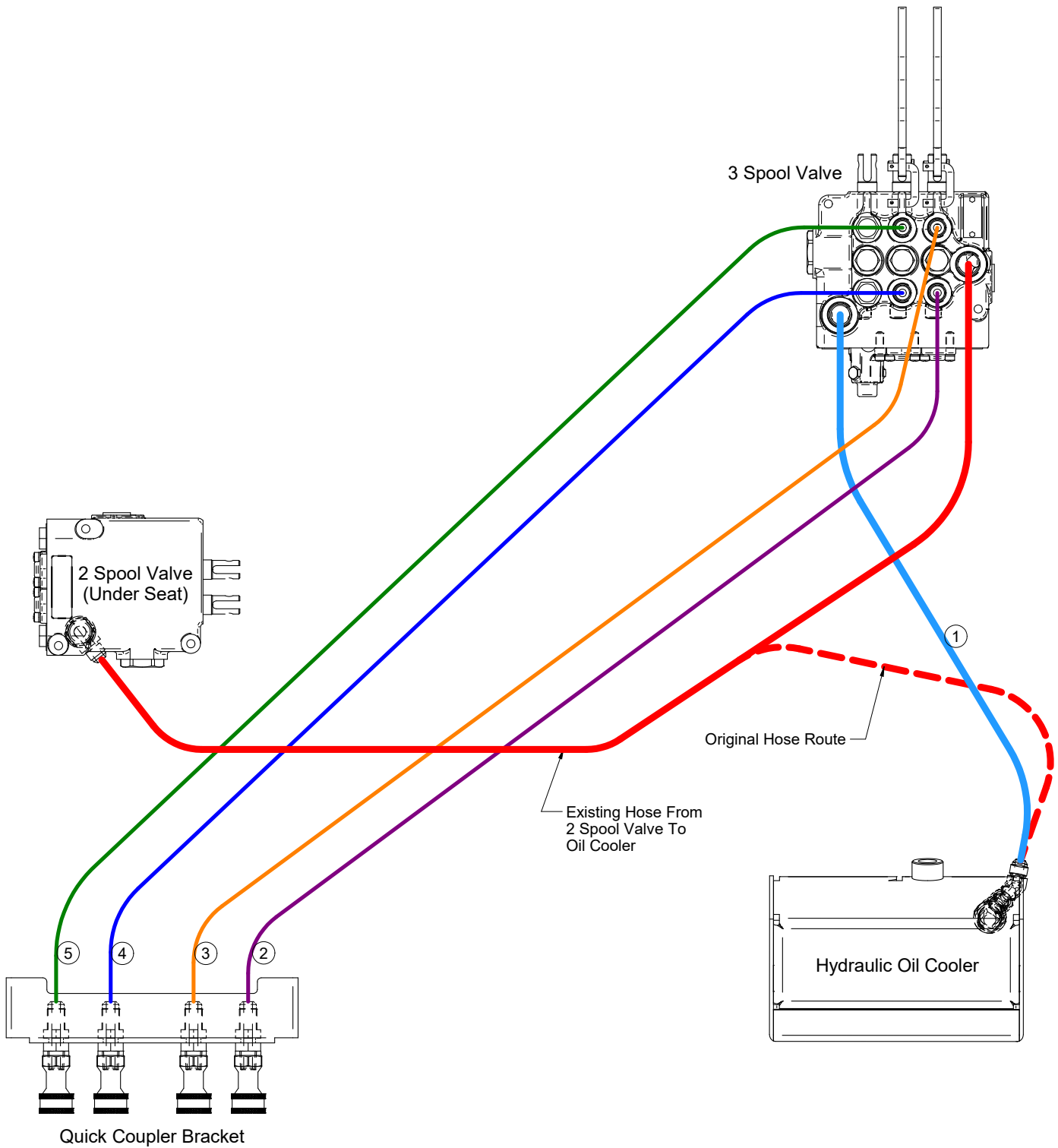
OPTIONS

Rear Hydraulic Valve (Kit # 70.4126)

| REF. | PART NO. | DESCRIPTION | QTY. |
|------|-----------------|--|------|
| 1 | 99.SF04 | .NUT, SRF 1/4-20 USS | 2 |
| 2 | 99.SF08 | .NUT, SRF 1/2-13 USS | 2 |
| 3 | 95.08 | .WASHER, FLAT 1/2 SAE | 2 |
| 4 | 90.0808 | .BOLT, 1/2-13 USS X 1 | 2 |
| 5 | 02.CP0204 | .COTTER PIN, 1/16 X 1/2 | 6 |
| 6 | 25.2706-04-06LN | .FITTING, BULKHEAD W/ LOCKNUT | 4 |
| 7 | 23.0106 | .COUPLER, HYDRAULIC QUICK - 1/4 FEMALE | 4 |
| 8 | 05.0116 | .WASHER, .544 ID X .817 X .14 RED | 2 |
| 9 | 05.0117 | .WASHER, .544 ID X .817 X .14 YEL | 2 |
| 10 | 23.0126 | .PLUG, DUST FOR 23.0106 | 4 |
| 11 | 25.6802-06-08 | .FITTING, 45 ME 3/8 X 1/2 | 2 |
| 12 | 03.0406 | .CLEVIS PIN, 1/4 X 3/4 | 2 |
| 13 | 60.1129 | .PANEL, TOOLBOX FRONT 3PT | 1 |
| 14 | 40.0382 | .LEVER, KN 3PT HYD HANDLE | 2 |
| 15 | 23.0142-6 | .LINK, VALVE HANDLE "C" | 2 |
| 16 | 99.0416 | .BOLT, 1/4-20 X 2 BSCS | 2 |
| 17 | 06.0058 | .CAP, PLASTIC 1/4 X 5/8 X 1-1/2 | 2 |
| 18 | 00.0327 | .DECAL, 3PT HITCH | 1 |
| 19 | 25.6802-06-06 | .FITTING, 45 ME 3/8 X 3/8 | 4 |
| 20 | 64.1772 | .BRACKET, HYD COUPLER REAR 4 | 1 |
| 21 | 25.6408-06 | .FITTING, O-RING PLUG 3/8 | 2 |
| 22 | 20.0299 | .HOSE, 3/8X32.00 SAE 100R17 AR | 1 |
| 23 | 20.0307 | .HOSE, 3/8X12.00 SAE 100R17 AR | 1 |
| 24 | 20.0258 | .HOSE, 1/4X27.50 SAE 100R17 AR | 1 |
| 25 | 20.0188 | .HOSE, 1/4X30.00 SAE 100R17 AR | 1 |
| 26 | 20.0246 | .HOSE, 1/4X31.00 SAE 100R17 AR | 1 |
| 27 | 20.0188 | .HOSE, 1/4X30.00 SAE 100R17 AR | 1 |
| 28 | 23.0142-2 | .VALVE, 3 SPOOL W/RH FLOAT | 1 |
| 29 | 99.E0046 | .NUT, "U" 1/4-20 EXTRUDED | 4 |
| 40 | 23.0111-7 | .KIT, SPOOL FLOAT HYD. VALVE | 1 |
| 41 | 26.0027 | .O-RING, 5/8ID X 13/16OD X 3/32 | 6 |
| 42 | 23.0111-8 | .CAP, VALVE | 2 |

OPTIONS

ILLUSTRATED DRAWING Rear Hydraulic Valve Diagram (Kit # 70.4126)



OPTIONS

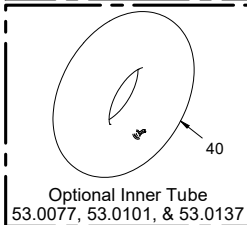
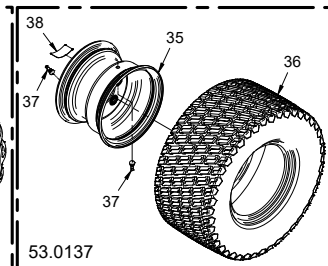
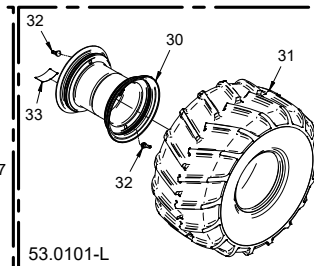
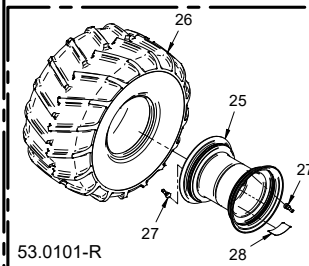
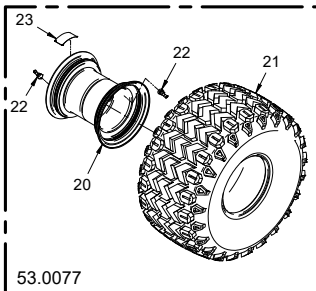
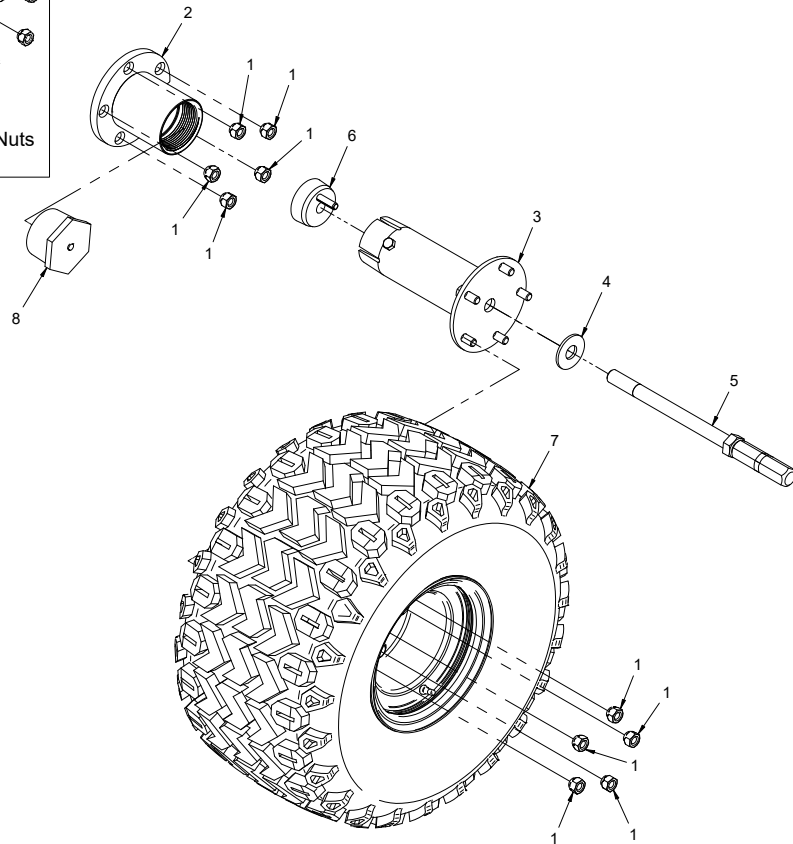
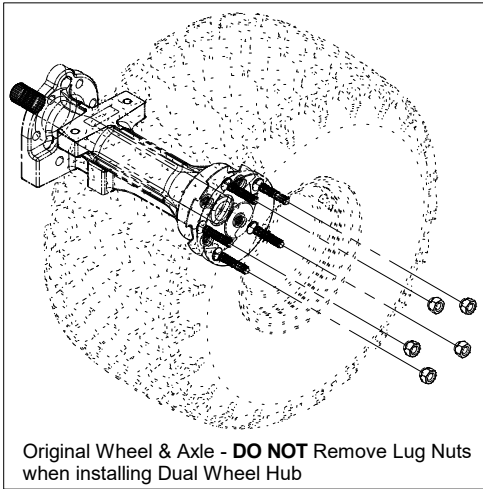
Rear Hydraulic Valve Diagram (Kit # 70.4126)

| REF. | PART NO. | DESCRIPTION | QTY. |
|------|----------|--------------------------------|------|
| 1 | 20.0307 | .HOSE, 3/8X12.00 SAE 100R17 AR | 1 |
| 2 | 20.0258 | .HOSE, 1/4X27.50 SAE 100R17 AR | 1 |
| 3 | 20.0188 | .HOSE, 1/4X30.00 SAE 100R17 AR | 1 |
| 4 | 20.0188 | .HOSE, 1/4X30.00 SAE 100R17 AR | 1 |
| 5 | 20.0246 | .HOSE, 1/4X31.00 SAE 100R17 AR | 1 |

OPTIONS

ILLUSTRATED DRAWING Dual Wheels

Field Trax Dual Wheel Kit - # 70.4067
Turf Master Dual Wheel Kit - # 70.4068
Bar Tire Dual Wheel Kit - # 70.4069



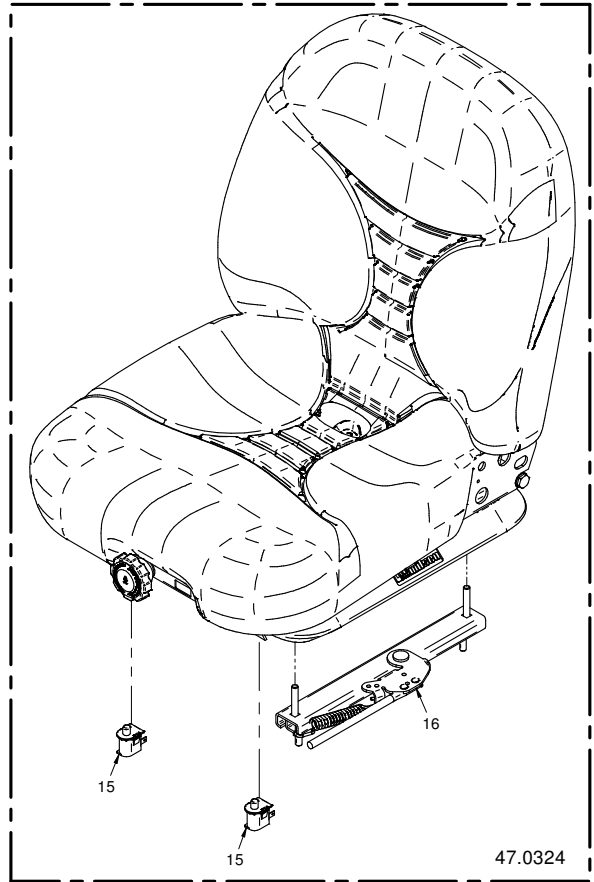
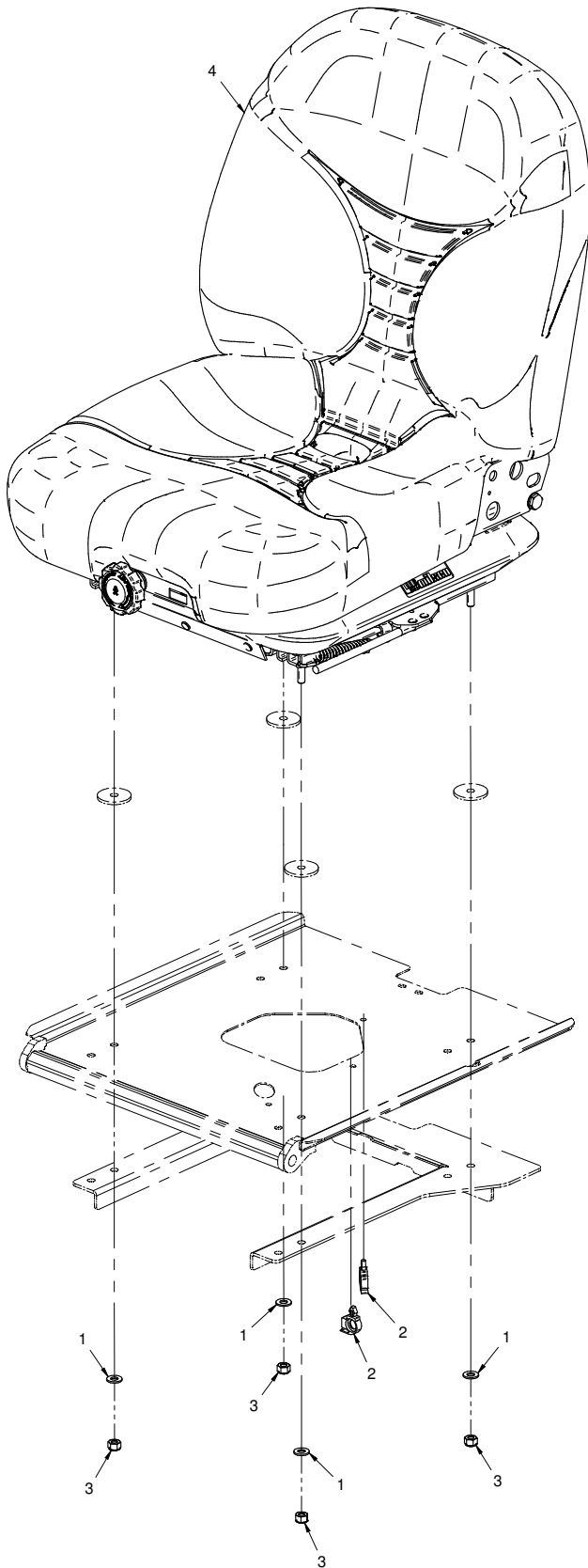
OPTIONS

Dual Wheels

| REF. | PART NO. | DESCRIPTION | QTY. |
|------|-----------|---|------|
| 1 | 99.E0044 | .NUT, LUG 7/16-20 SAE | 40 |
| 2 | 50.0190 | .HUB, DUAL WHEEL | 4 |
| 3 | 50.0061 | .EXTENSION, DUAL WHEEL KT | 4 |
| 4 | 94.12 | .WASHER, FLAT 3/4 USS | 4 |
| 5 | 64.0672 | .BOLT, 3/4" DRAWBOLT DUALS. | 4 |
| 6 | 50.0063 | .CONE, 3/4 DRAWCONE DUALS. | 4 |
| 7 | 53.0077 | .WHEEL, ASM 22 X 12 X 8 X 5B | 4 |
| 7 | 53.0101-L | .WHEEL, ASM 21 X 11 X 8 X 5B BAR. | 2 |
| 7 | 53.0101-R | .WHEEL, ASM 21 X 11 X 8 X 5B BAR. | 2 |
| 7 | 53.0137 | .WHEEL, ASM 22 X 11 X 10 X 5B TURF | 4 |
| 8 | 05.0093 | .PLUG, 2-1/2 NPT M, WHT PLASTIC | 4 |
| 20 | 53.0090 | .RIM, 8 X 8.5, 5 ON 4.5 BC | 1 |
| 21 | 53.0089 | .TIRE, FIELD 22 X 12 X 8-NO RIM | 1 |
| 22 | 53.0139 | .VALVE STEM | 2 |
| 23 | 00.0348 | .DECAL, WARNING HUB SIDE (Serial # 01001-14497) | 1 |
| 23 | 00.0645 | .DECAL, HUB SIDE (Serial # 14498-) | 1 |
| 25 | 53.0090 | .RIM, 8 X 8.5, 5 ON 4.5 BC | 1 |
| 26 | 53.0114 | .TIRE, BAR 21X11X8 NO RIM | 1 |
| 27 | 53.0139 | .VALVE STEM | 2 |
| 28 | 00.0348 | .DECAL, WARNING HUB SIDE (Serial # 01001-14497) | 1 |
| 28 | 00.0645 | .DECAL, HUB SIDE (Serial # 14498-) | 1 |
| 30 | 53.0090 | .RIM, 8 X 8.5, 5 ON 4.5 BC | 1 |
| 31 | 53.0114 | .TIRE, BAR 21X11X8 NO RIM | 1 |
| 32 | 53.0139 | .VALVE STEM | 2 |
| 33 | 00.0348 | .DECAL, WARNING HUB SIDE (Serial # 01001-14497) | 1 |
| 33 | 00.0645 | .DECAL, HUB SIDE (Serial # 14498-) | 1 |
| 35 | 53.0138 | .RIM, 10 X 7 - 5 ON 4.5 BC | 1 |
| 36 | 53.0112 | .TIRE, TURFMASTR 22X11X10 NO RIM | 1 |
| 37 | 53.0139 | .VALVE STEM | 2 |
| 38 | 00.0348 | .DECAL, WARNING HUB SIDE (Serial # 01001-14497) | 1 |
| 38 | 00.0645 | .DECAL, HUB SIDE (Serial # 14498-) | 1 |
| 40 | 53.0142 | .TUBE, INNER 22 X 12 X 8 | 1 |

OPTIONS

ILLUSTRATED DRAWING 70.4111 Suspension Seat Kit



47.0324

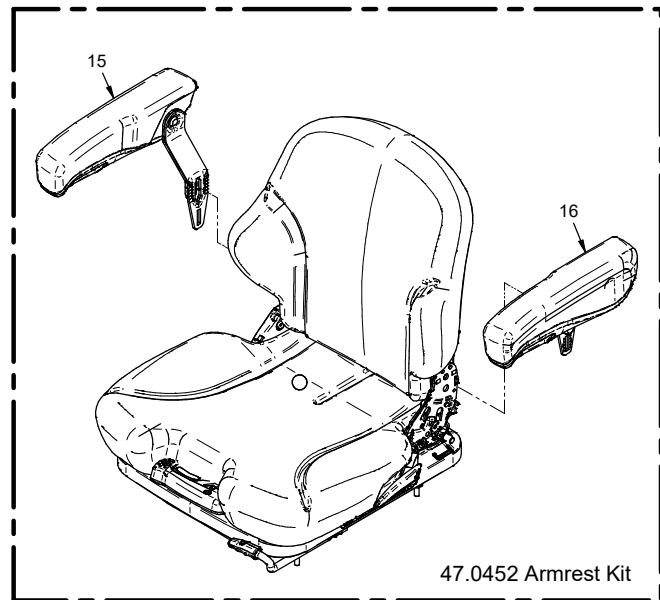
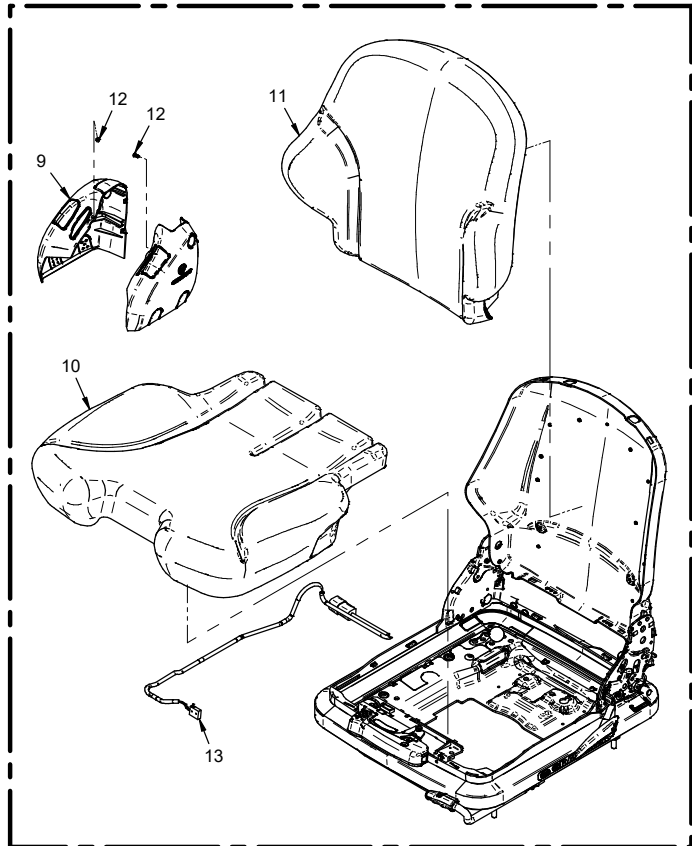
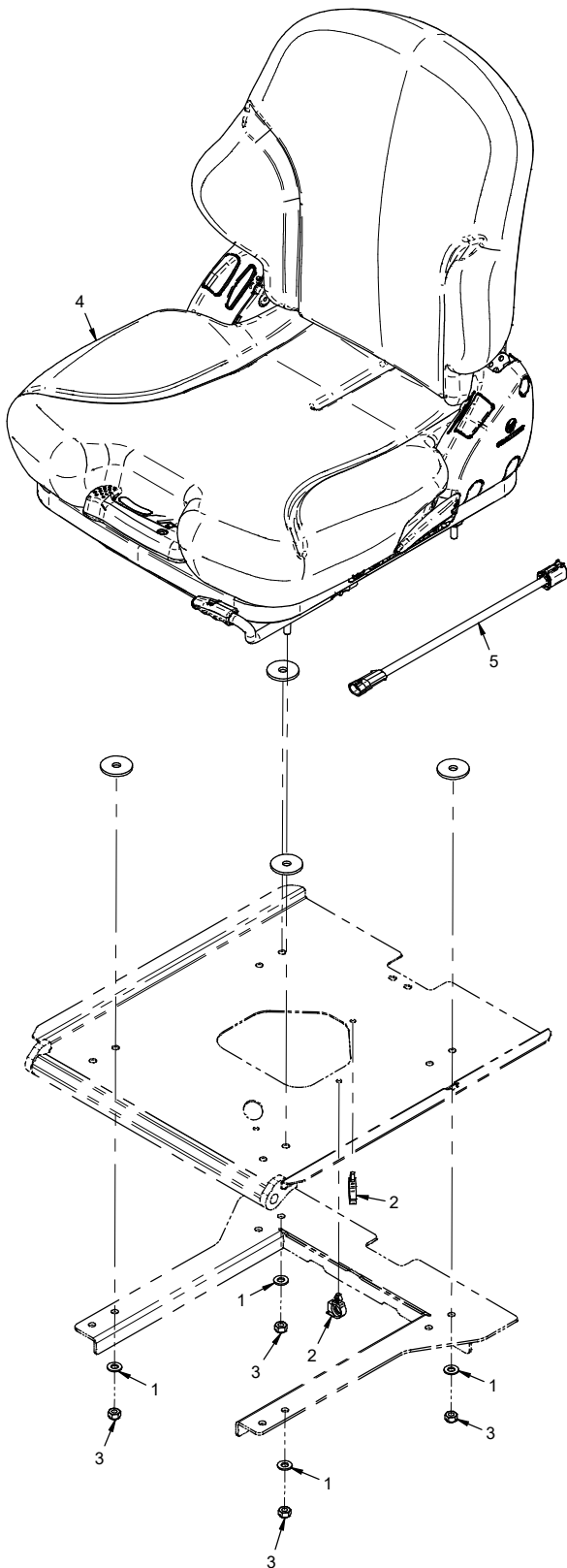
OPTIONS

70.4111 Suspension Seat Kit

| REF. | PART NO. | DESCRIPTION | QTY. |
|------|-----------|--|------|
| 1 | 95.05 | .WASHER, FLAT 5/16 SAE | 4 |
| 2 | 30.0135 | .CLAMP, LOOM 3/8 ROSEBUD MOUNT | 2 |
| 3 | 99.A05N | .LOCKNUT, NYLON 5/16-18 USS | 4 |
| 4 | 47.0324 | .SEAT, SUSPENSION | 1 |
| 15 | 31.0062 | .SWITCH, SEAT WITH RUBBER BOOT | 2 |
| 16 | 47.0324-1 | .SEAT SLIDE, LEFT W/ ADJUSTMENT HANDLE | 1 |

OPTIONS

ILLUSTRATED DRAWING 70.4154 Suspension Seat Kit



47.0452 Armrest Kit

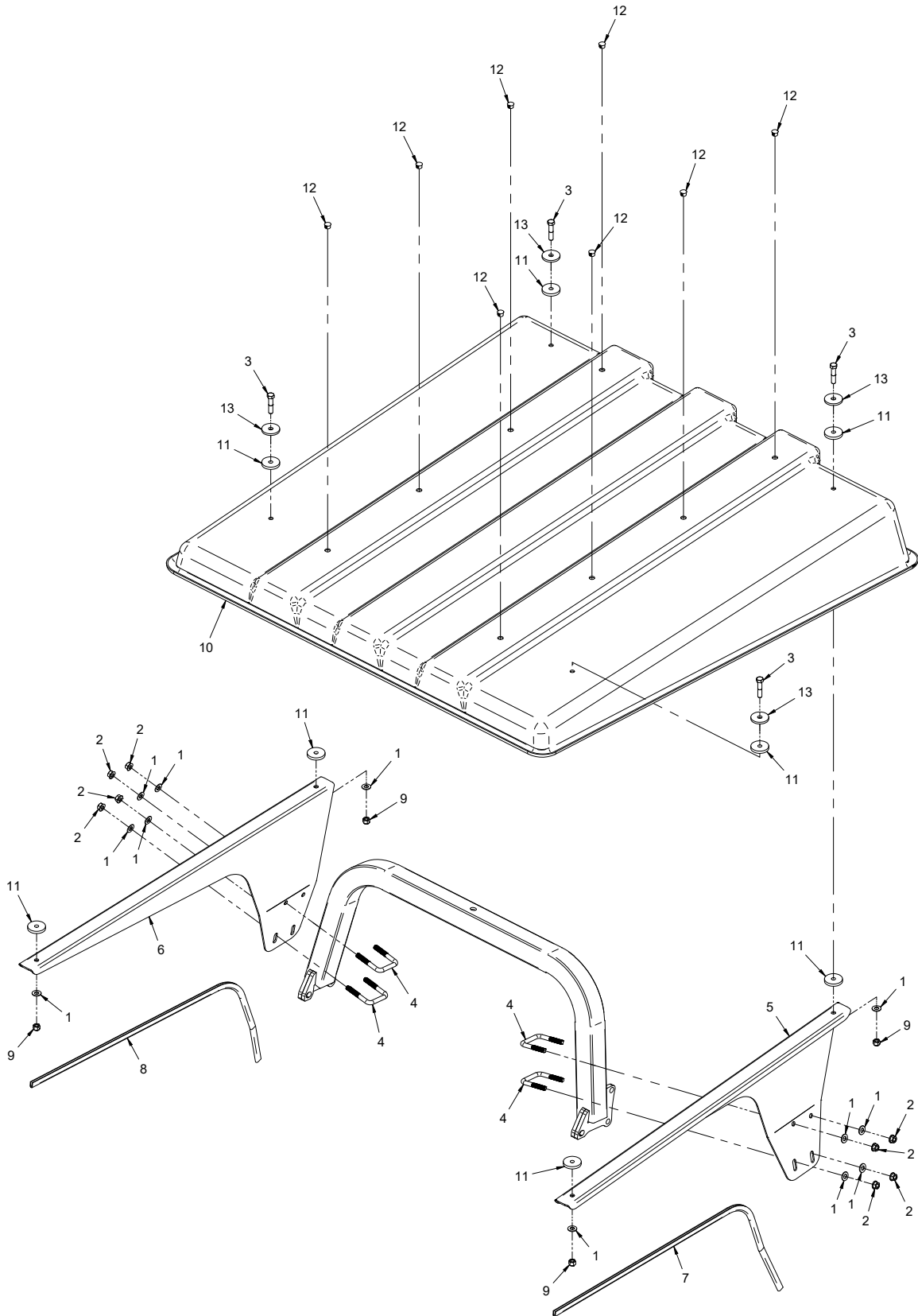
OPTIONS

70.4154 Suspension Seat Kit

| REF. | PART NO. | DESCRIPTION | QTY. |
|------|-----------|--------------------------------------|------|
| 1 | 95.05 | .WASHER, FLAT 5/16 SAE | 4 |
| 2 | 30.0135 | .CLAMP, LOOM 3/8 ROSEBUD MOUNT | 2 |
| 3 | 99.M0068 | .NUT, M8 X 1.25 NYLON LOCK | 4 |
| 4 | 70.4154 | .KIT, SUSPENSION SEAT | 1 |
| 5 | 32.0212 | .HARNESS, WIRE GRAMMER SEAT | 1 |
| 9 | 47.0482 | .COVER, LEFT & RIGHT SIDE (SET) | 1 |
| 10 | 47.0467 | .CUSHION, SEAT | 1 |
| 11 | 47.0468 | .CUSHION, BACKREST | 1 |
| 12 | 04.0049 | .RIVET, SIDE COVERS FOR GRAMMER SEAT | 2 |
| 13 | 31.0075 | .SWITCH, SEAT | 1 |
| 15 | 47.0452-R | .ARMREST, RIGHT - SUSPENSION SEAT | 1 |
| 16 | 47.0452-L | .ARMREST, LEFT - SUSPENSION SEAT | 1 |

OPTIONS

ILLUSTRATED DRAWING 70.0098 Canopy Kit



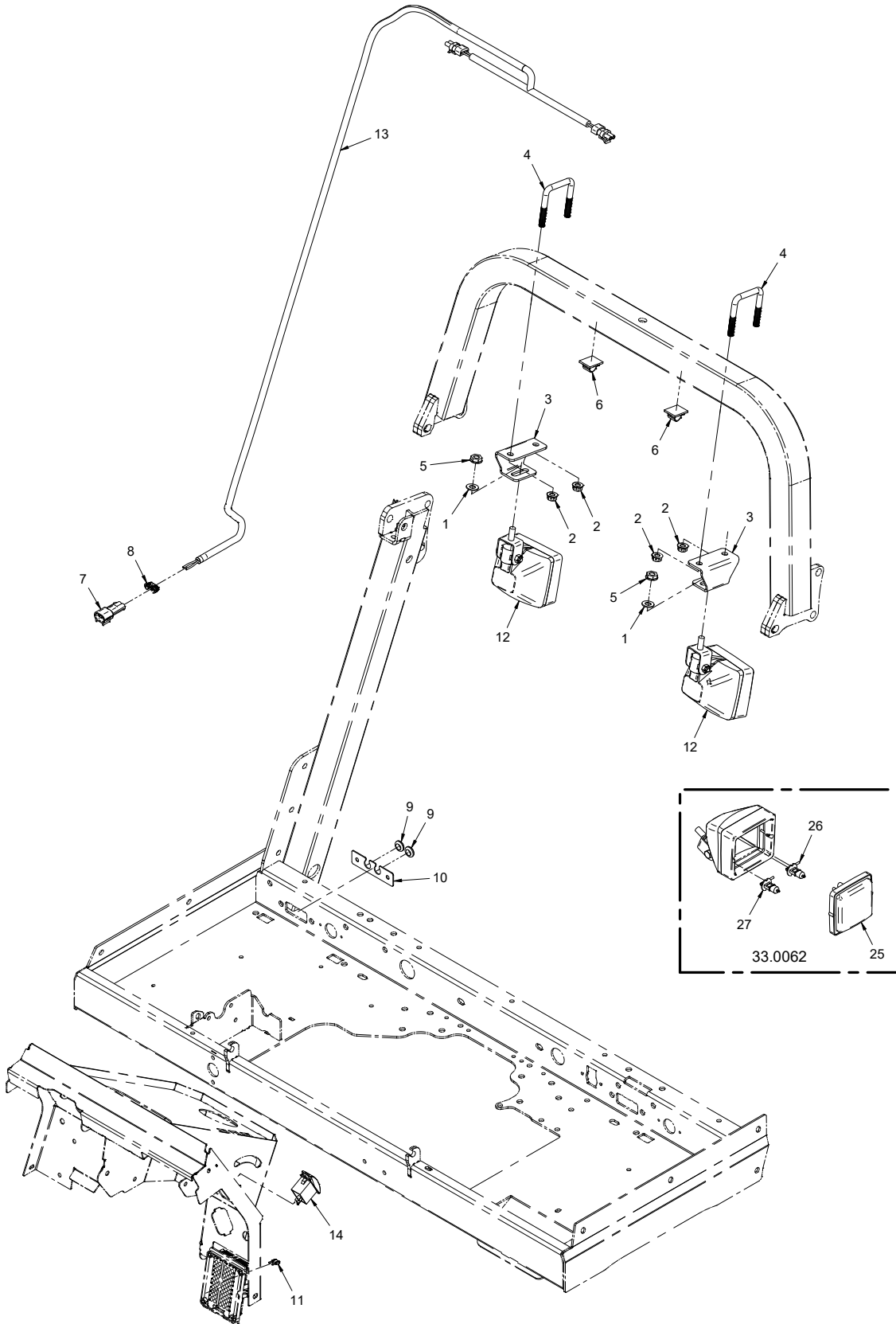
OPTIONS

70.0098 Canopy Kit

| REF. | PART NO. | DESCRIPTION | QTY. |
|------|--------------|-------------------------------------|------|
| 1 | 95.06 | .WASHER, FLAT 3/8 SAE | 12 |
| 2 | 99.SF06 | .NUT, SRF 3/8-16 USS. | 8 |
| 3 | 90.0614 | .BOLT, 3/8-16 USS X 1-3/4. | 4 |
| 4 | 11.0053 | .U-BOLT, 3/8-16 2-1/16" ID SQ BEND. | 4 |
| 5 | 62.0915 | .FRAME, CANOPY LEFT SIDE | 1 |
| 6 | 62.0914 | .FRAME, CANOPY RIGHT SIDE | 1 |
| 7 | 06.0050-41IN | .TRIM, TRIM LOC 1/2 X 3/16 X 41" | 1 |
| 8 | 06.0050-41IN | .TRIM, TRIM LOC 1/2 X 3/16 X 41" | 1 |
| 9 | 99.A06N | .LOCKNUT, NYLON 3/8-16 USS. | 4 |
| 10 | 47.0186 | .CANOPY, SHELL ONLY, WHITE | 1 |
| 11 | 05.0085 | .WASHER, NEOPRENE | 8 |
| 12 | 05.0086 | .PLUG, 1/2" HOLE, NYLON-WHITE | 8 |
| 13 | 99.B0076 | .WASHER, .185 X 13/32 ID X 1-5/8. | 4 |

OPTIONS

ILLUSTRATED DRAWING 70.4113 Work Light Kit



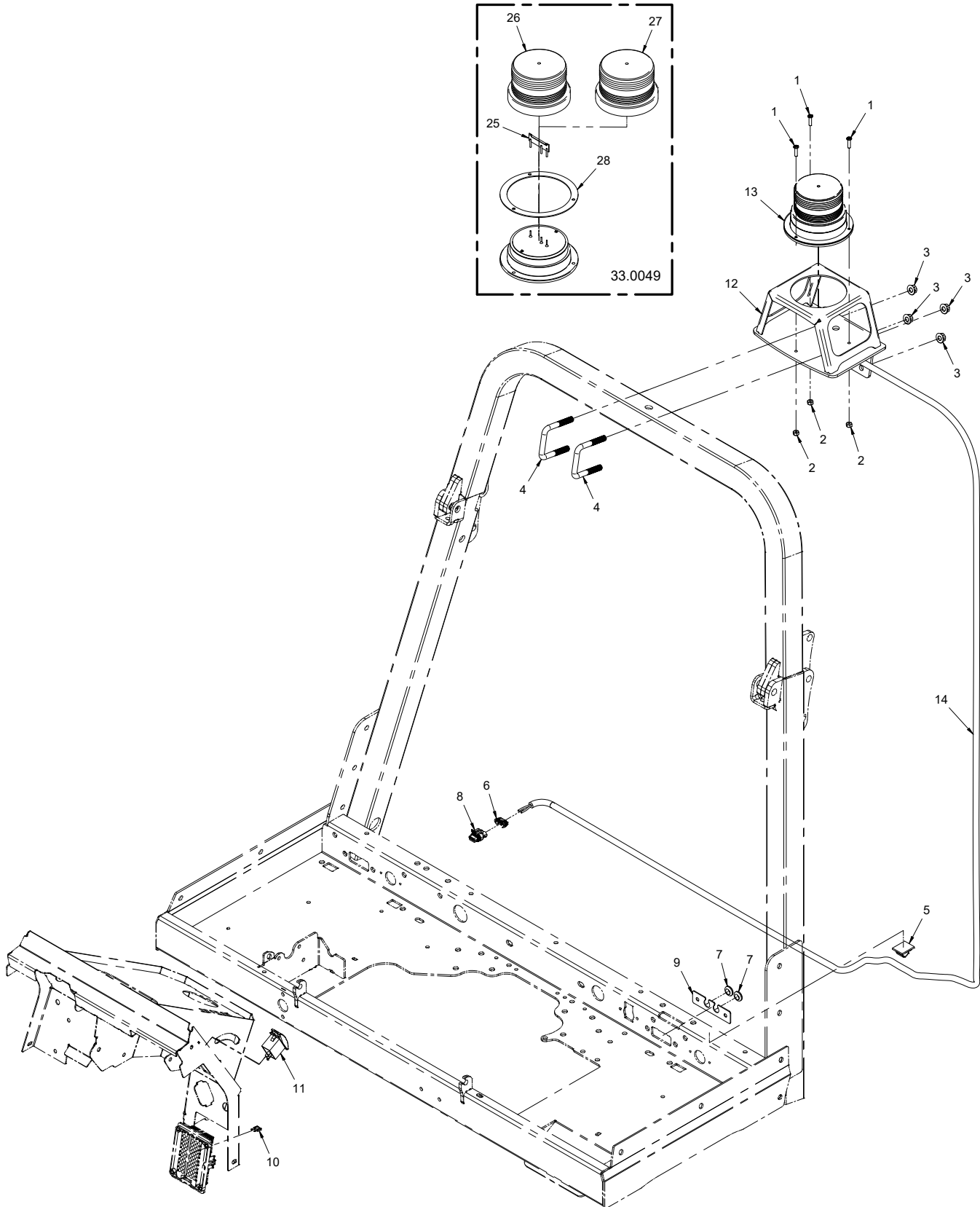
OPTIONS

70.4113 Work Light Kit

| REF. | PART NO. | DESCRIPTION | QTY. |
|------|----------|--|------|
| 1 | 95.06 | .WASHER, FLAT 3/8 SAE | 2 |
| 2 | 99.E0082 | .NUT, LOCKING FLANGE 3/8-16 | 4 |
| 3 | 64.1706 | .BRACKET, WORKLIGHT MOUNT KN | 2 |
| 4 | 11.0053 | .U-BOLT, 3/8-16 2-1/16" ID SQ BEND | 2 |
| 5 | 99.M0021 | .NUT, SMF M10 X 1.5 | 2 |
| 6 | 30.0217 | .CLAMP, WIRE MT ADH. 1/2 GRAY | 2 |
| 7 | 30.0322 | .CONNECTOR, MP280 MALE BODY | 1 |
| 8 | 30.0326 | .CLIP, MP280 CONNECTOR | 1 |
| 9 | 05.0136 | .GROMMET, 7/16ID, 3/4OD, 1/4THK | 2 |
| 10 | 60.1175 | .COVER, OPT. LIGHT KIT ACCESS | 1 |
| 11 | 30.0334 | .FUSE, 15 AMP MINI BLUE | 1 |
| 12 | 33.0062 | .LIGHT, WORK 3 X 3 | 2 |
| 13 | 32.0116 | .HARNESS, WIRE WORK LIGHT | 1 |
| 14 | 31.0053 | .SWITCH, ROCKER ON/OFF | 1 |
| 25 | 33.0054 | .OPTICAL UNIT, LENS/REFLECTOR | 1 |
| 26 | 33.0055 | .BULB, LIGHT (ONLY) FOR 55 WATT | 1 |
| 27 | 33.0056 | .BULB, LIGHT (ONLY) FOR 35 WATT (Optional) | 1 |

OPTIONS

ILLUSTRATED DRAWING 70.4114 Strobe Light Kit



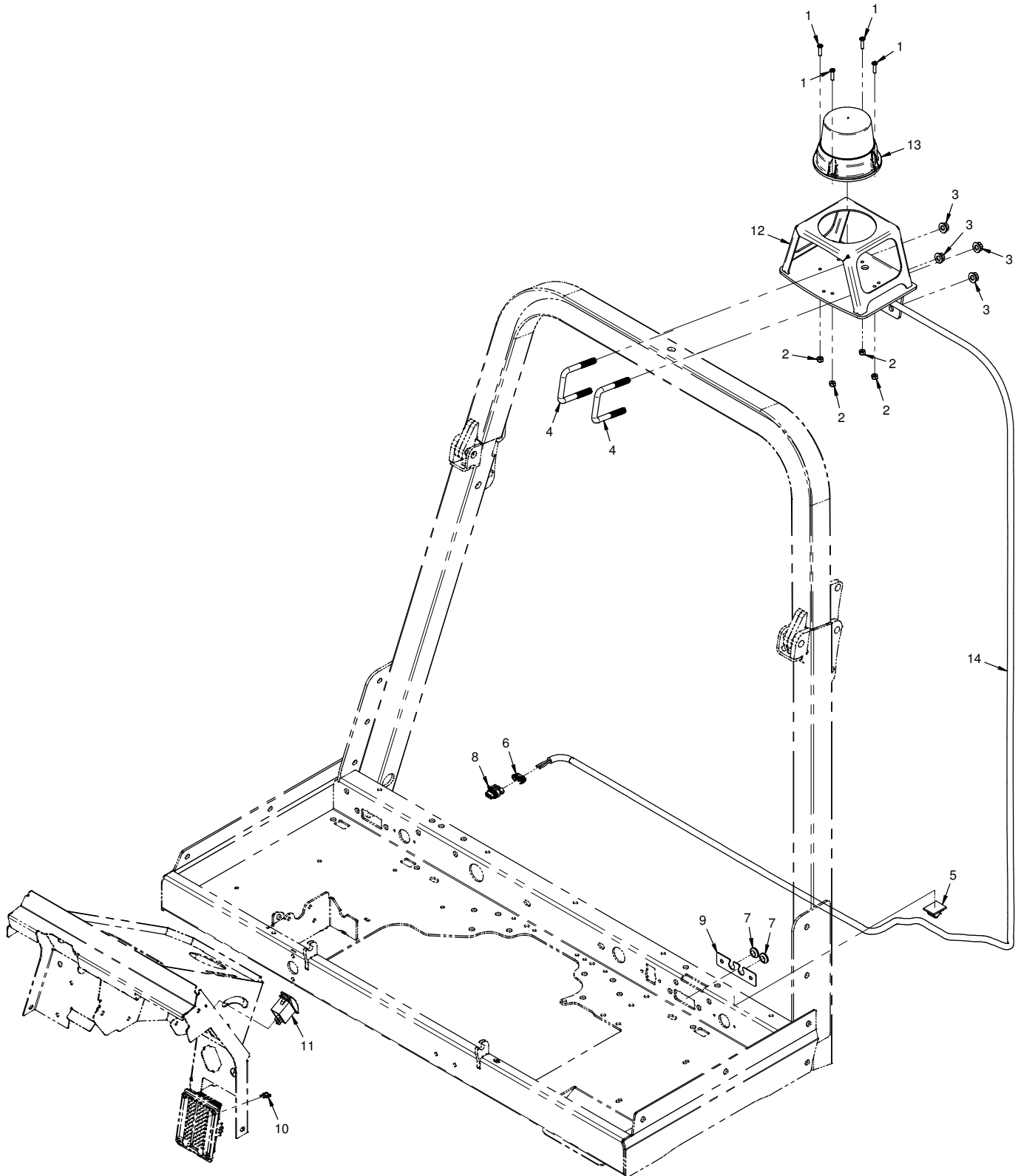
OPTIONS

70.4114 Strobe Light Kit

| REF. | PART NO. | DESCRIPTION | QTY. |
|------|-----------|---------------------------------------|------|
| 1 | 99.K0047 | MACHINE SCREW, #10-32 X 3/4 | 3 |
| 2 | 99.A1032N | LOCKNUT, NYLON 10-32 STAINLESS | 3 |
| 3 | 99.E0082 | NUT, LOCKING FLANGE 3/8-16 | 4 |
| 4 | 11.0053 | U-BOLT, 3/8-16 2-1/16" ID SQ BEND | 2 |
| 5 | 30.0217 | CLAMP, WIRE MT ADH. 1/2 GRAY | 1 |
| 6 | 30.0326 | CLIP, MP280 CONNECTOR | 1 |
| 7 | 05.0136 | GROMMET, 7/16ID, 3/4OD, 1/4THK | 2 |
| 8 | 30.0323 | CONNECTOR, MP280 FEMALE BODY | 1 |
| 9 | 60.1175 | COVER, OPT. LIGHT KIT ACCESS | 1 |
| 10 | 30.0334 | FUSE, 15 AMP MINI BLUE | 1 |
| 11 | 31.0053 | SWITCH, ROCKER ON/OFF | 1 |
| 12 | 62.1383 | FRAME, LIGHT BAR | 1 |
| 13 | 33.0049 | LIGHT, STROBE AMBER | 1 |
| 14 | 32.0117 | HARNESS, WIRE STROBE LIGHT | 1 |
| 25 | 33.0052 | BULB, STROBE LIGHT FOR 33.0049 | 1 |
| 26 | 33.0050 | LENS, STROBE - AMBER 3-1/2" | 1 |
| 27 | 33.0051 | LENS, STROBE - BLUE 3-1/2" (Optional) | 1 |
| 28 | 33.0049-1 | RING, CLAMP | 1 |

OPTIONS

ILLUSTRATED DRAWING 70.4155 Strobe Light Kit



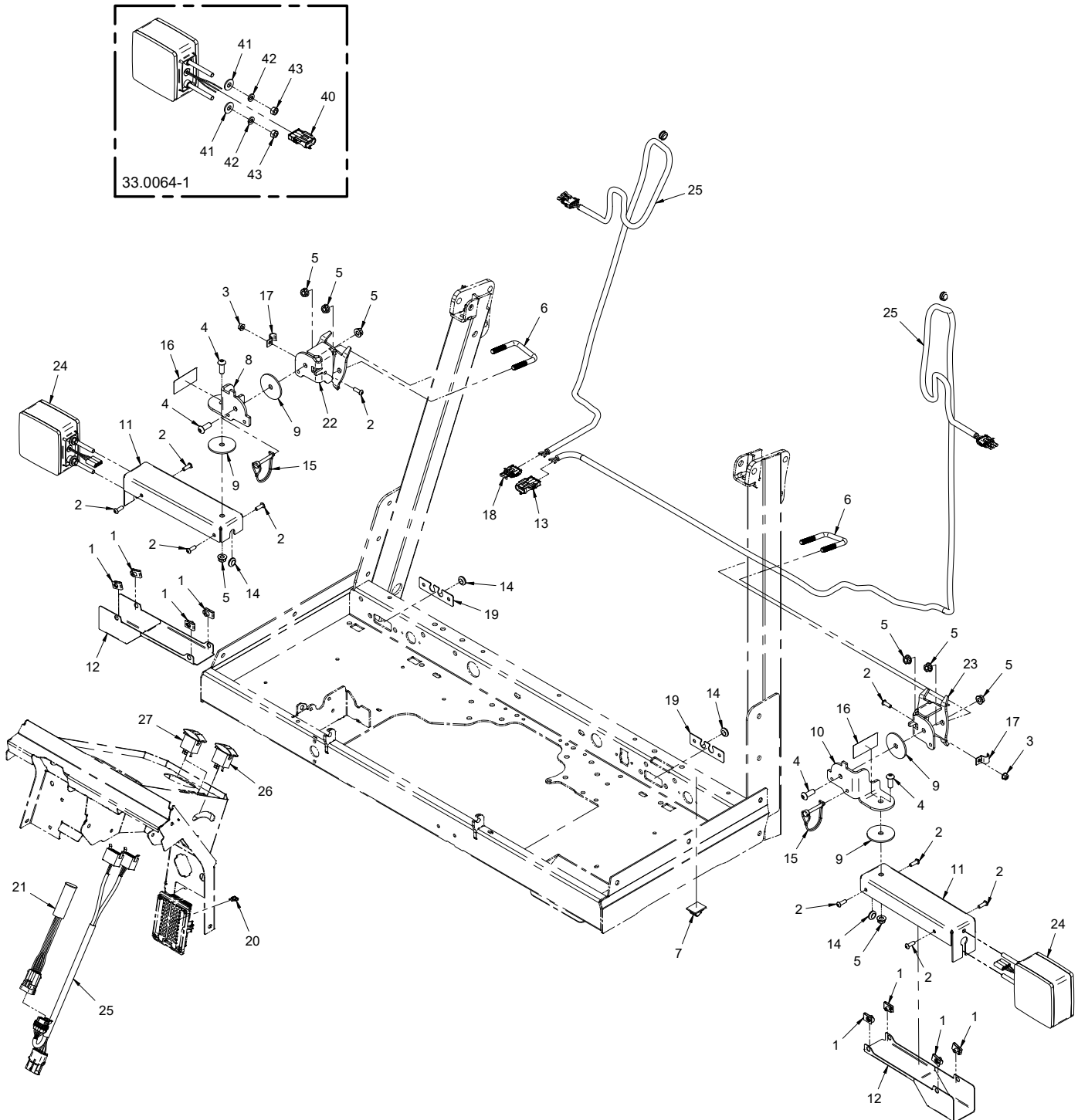
OPTIONS

70.4155 Strobe Light Kit

| REF. | PART NO. | DESCRIPTION | QTY. |
|------|-----------|-----------------------------------|------|
| 1 | 99.K0047 | MACHINE SCREW, #10-32 X 3/4 | 4 |
| 2 | 99.A1032N | LOCKNUT, NYLON 10-32 STAINLESS | 4 |
| 3 | 99.E0082 | NUT, LOCKING FLANGE 3/8-16 | 4 |
| 4 | 11.0053 | U-BOLT, 3/8-16 2-1/16" ID SQ BEND | 2 |
| 5 | 30.0217 | CLAMP, WIRE MT ADH. 1/2 GRAY | 1 |
| 6 | 30.0326 | CLIP, MP280 CONNECTOR | 1 |
| 7 | 05.0136 | GROMMET, 7/16ID, 3/4OD, 1/4THK | 2 |
| 8 | 30.0323 | CONNECTOR, MP280 FEMALE BODY | 1 |
| 9 | 60.1175 | COVER, OPT. LIGHT KIT ACCESS | 1 |
| 10 | 30.0334 | FUSE, 15 AMP MINI BLUE | 1 |
| 11 | 31.0053 | SWITCH, ROCKER ON/OFF | 1 |
| 12 | 62.1383 | FRAME, STROBE LIGHT | 1 |
| 13 | 33.0073 | LIGHT, STROBE AMBER | 1 |
| 14 | 32.0117 | HARNESS, WIRE STROBE LIGHT | 1 |

OPTIONS

ILLUSTRATED DRAWING 70.4119 Directional / Hazard Light Kit



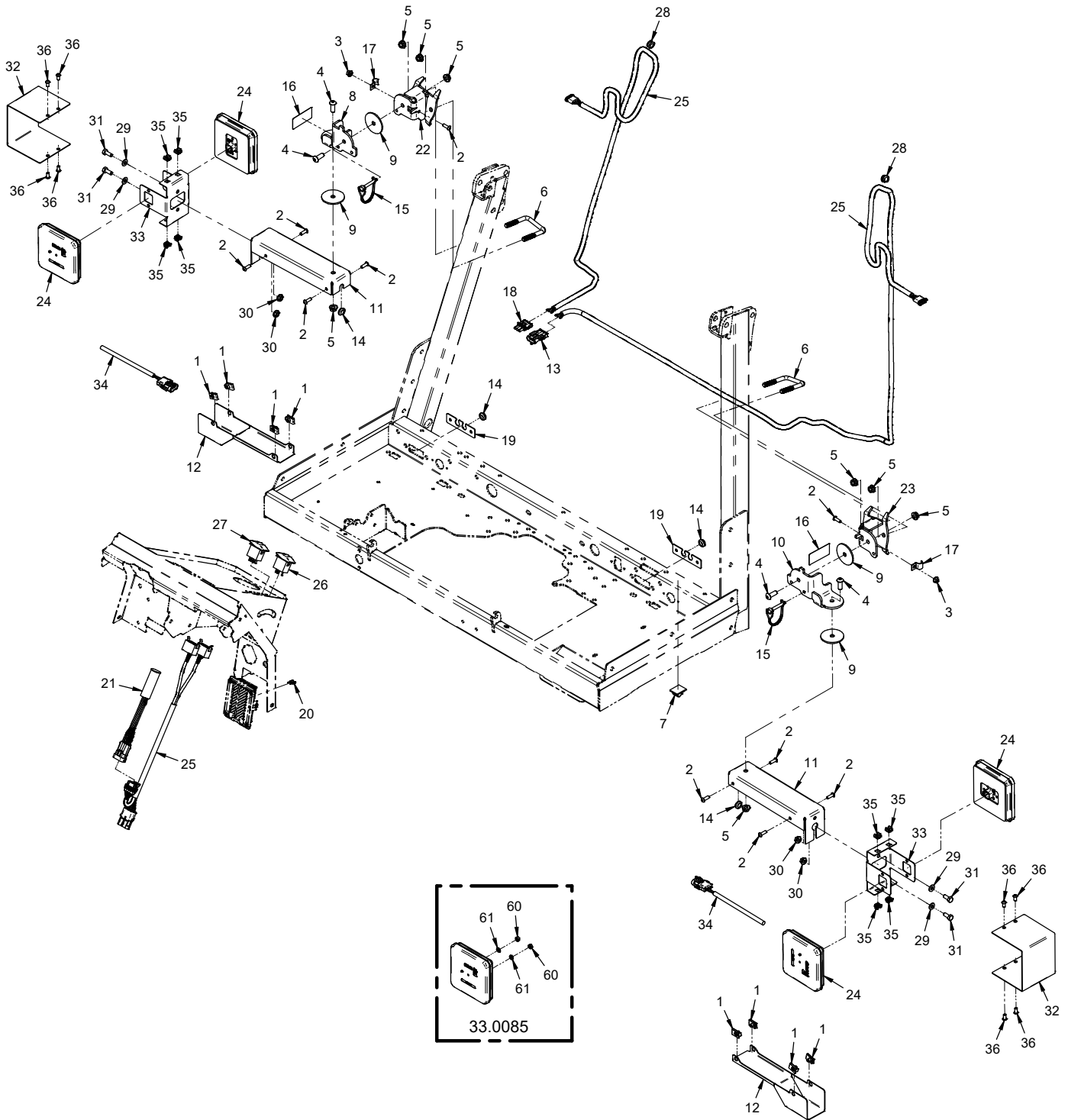
OPTIONS

70.4119 Directional / Hazard Light Kit

| REF. | PART NO. | DESCRIPTION | QTY. |
|------|-----------|--|------|
| 1 | 99.E0046 | .NUT, "U" 1/4-20 EXTRUDED | 8 |
| 2 | 99.0406 | .BOLT, 1/4-20 X 3/4 BSCS | 10 |
| 3 | 99.E0101 | .NUT, LOCKING FLANGE 1/4-20 | 2 |
| 4 | 99.0608 | .BOLT, 3/8-16 X 1 BSCS | 4 |
| 5 | 99.E0082 | .NUT, LOCKING FLANGE 3/8-16 | 8 |
| 6 | 11.0053 | .U-BOLT, 3/8-16 2-1/16" ID SQ BEND | 2 |
| 7 | 30.0217 | .CLAMP, WIRE MT ADH. 1/2 GRAY | 1 |
| 8 | 64.1713 | .BRACKET, DIRECTIONAL PIVOT RH | 1 |
| 9 | 05.0002 | .WASHER, FRIC. 2-1/4 X 13/32 | 4 |
| 10 | 64.1714 | .BRACKET, DIRECTIONAL PIVOT LH | 1 |
| 11 | 40.0388 | .ARM, DIRECTIONAL LIGHT | 2 |
| 12 | 60.1176 | .COVER, DIRECTONAL SIGNAL ARM | 2 |
| 13 | 30.0423 | .CONNECTOR, WPAK 3 POS MALE | 1 |
| 14 | 05.0136 | .GROMMET, 7/16ID, 3/4OD, 1/4THK | 4 |
| 15 | 03.0009 | .PIN, SAFETY SNAP 1/4 X 1-3/8 | 2 |
| 16 | 00.0218 | .DECAL, WARNING PINCH POINT | 2 |
| 17 | 11.0072 | .CLAMP, 1/2 LOOP VINYL | 2 |
| 18 | 30.0422 | .CONNECTOR, WPAK 3 POS FEMALE | 1 |
| 19 | 60.1175 | .COVER, OPT. LIGHT KIT ACCESS | 2 |
| 20 | 30.0333 | .FUSE, 10 AMP MINI RED | 1 |
| 21 | 35.0127 | .MODULE, DIRECTIONAL LIGHT | 1 |
| 22 | 64.1715 | .BRACKET, ROLLBAR MOUNT RH | 1 |
| 23 | 64.1716 | .BRACKET, ROLLBAR MOUNT LH | 1 |
| 24 | 33.0064-1 | .LIGHT, LED DOUBLE FACE - AMBER | 2 |
| 25 | 32.0118 | .HARNESS, WIRE DIRECTIONAL (Includes Splitter & Front Switch Connectors) | 1 |
| 26 | 31.0055 | .SWITCH, ROCKER ON/OFF/ON | 1 |
| 27 | 31.0053 | .SWITCH, ROCKER ON/OFF | 1 |
| 40 | 30.0423 | .CONNECTOR, WPAK 3 POS MALE | 1 |
| 41 | 94.05 | .WASHER, FLAT 5/16 USS | 2 |
| 42 | 96.05 | .WASHER, LOCK 5/16 | 2 |
| 43 | 92.05 | .NUT, 5/16-18 USS | 2 |

OPTIONS

ILLUSTRATED DRAWING 70.4156 Directional / Hazard ECE Light Kit



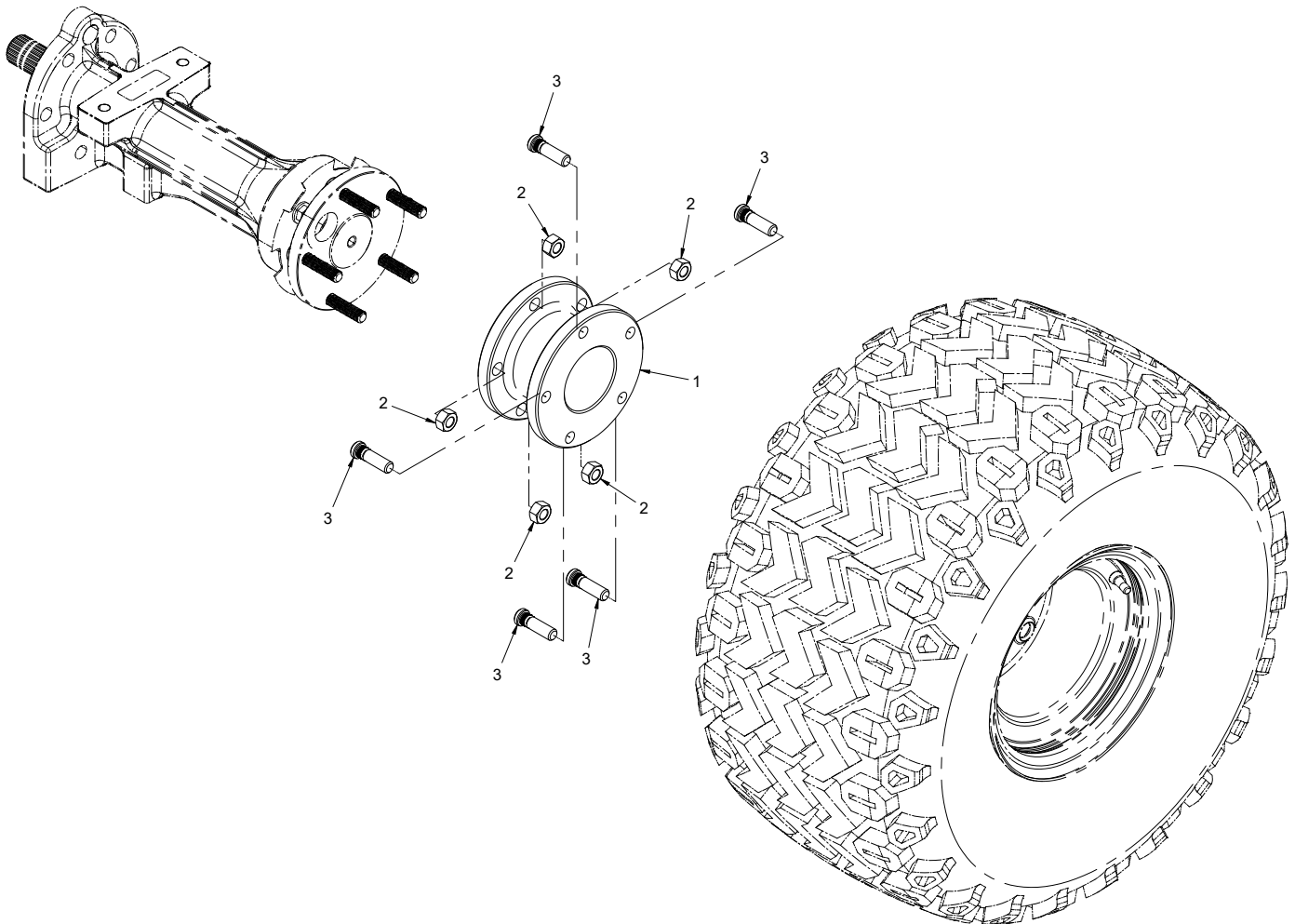
OPTIONS

70.4156 Directional / Hazard ECE Light Kit

| REF. | PART NO. | DESCRIPTION | QTY. |
|------|-------------|--|------|
| 1 | 99.E0046 | .NUT, "U" 1/4-20 EXTRUDED | 8 |
| 2 | 99.0406 | .BOLT, 1/4-20 X 3/4 BSCS | 10 |
| 3 | 99.E0101 | .NUT, LOCKING FLANGE 1/4-20 | 2 |
| 4 | 99.SF0608-1 | .BOLT, SMF 3/8-16 X 1 | 4 |
| 5 | 99.E0082 | .NUT, LOCKING FLANGE 3/8-16 | 8 |
| 6 | 11.0053 | .U-BOLT, 3/8-16 2-1/16" ID SQ BEND | 2 |
| 7 | 30.0217 | .CLAMP, WIRE MT ADH. 1/2 GRAY | 1 |
| 8 | 64.1713 | .BRACKET, DIRECTIONAL PIVOT RH | 1 |
| 9 | 05.0002 | .WASHER, FRIC. 2-1/4 X 13/32 | 4 |
| 10 | 64.1714 | .BRACKET, DIRECTIONAL PIVOT | 1 |
| 11 | 40.0388 | .ARM, DIRECTIONAL LIGHT | 2 |
| 12 | 60.1176 | .COVER, DIRECTIONAL SIGNAL ARM | 2 |
| 13 | 30.0423 | .CONNECTOR, WPAK 3 POS MALE | 1 |
| 14 | 05.0136 | .GROMMET, 7/16ID, 3/4OD, 1/4THK | 4 |
| 15 | 03.0009 | .PIN, SAFETY SNAP 1/4 X 1-3/8 | 2 |
| 16 | 00.0218 | .DECAL, WARNING PINCH POINT (Serial # 01001-14497) | 2 |
| 16 | 00.0364 | .DECAL, PINCH POINT HAZARD (Serial # 14498-) | 2 |
| 17 | 11.0072 | .CLAMP, 1/2 LOOP VINYL | 2 |
| 18 | 30.0422 | .CONNECTOR, WPAK 3 POS FEMALE | 1 |
| 19 | 60.1175 | .COVER, OPT. LIGHT KIT ACCESS | 2 |
| 20 | 30.0333 | .FUSE, 10 AMP MINI RED | 1 |
| 21 | 35.0161 | .MODULE, DIRECTIONAL/HAZARD LIGHT | 1 |
| 22 | 64.1715 | .BRACKET, ROLLBAR MOUNT RH | 1 |
| 23 | 64.1716 | .BRACKET, ROLLBAR MOUNT LH | 1 |
| 24 | 33.0085 | .LIGHT, ASM LED SINGLE FACE - AMBER | 4 |
| 25 | 32.0118 | .HARNESS, WIRE DIRECTIONAL (Includes Splitter & Front Switch Connectors) | 1 |
| 26 | 31.0055 | .SWITCH, ROCKER ON/OFF/ON | 1 |
| 27 | 31.0053 | .SWITCH, ROCKER ON/OFF | 1 |
| 28 | 05.0138 | .GROMMET, 7/16ID, 11/16OD, 3/8THK | 2 |
| 29 | 95.05 | .WASHER, FLAT 5/16 SAE | 4 |
| 30 | 99.SF05 | .NUT, SRF 5/16-18 USS | 4 |
| 31 | 90.0506 | .BOLT, 5/16-18 USS X 3/4" | 4 |
| 32 | 64.2015 | .COVER, SIGNAL LIGHT | 2 |
| 33 | 64.2016 | .BRACKET, SIGNAL LIGHT | 2 |
| 34 | 32.0217 | .HARNESS, 4500 DIRECTIONAL/HAZARD ECE | 2 |
| 35 | 99.E0145 | .NUT, CAGE 1/4-20 (.025-.063") | 8 |
| 36 | 99.0404 | .BOLT, 1/4-20 X 1/2 BSCS | 8 |
| 60 | 99.M0031 | .NUT, M6 X 1.00 | 2 |
| 61 | 96.04 | .WASHER, LOCK 1/4 | 2 |

OPTIONS

ILLUSTRATED DRAWING 70.4098 Wheel Extension Kit



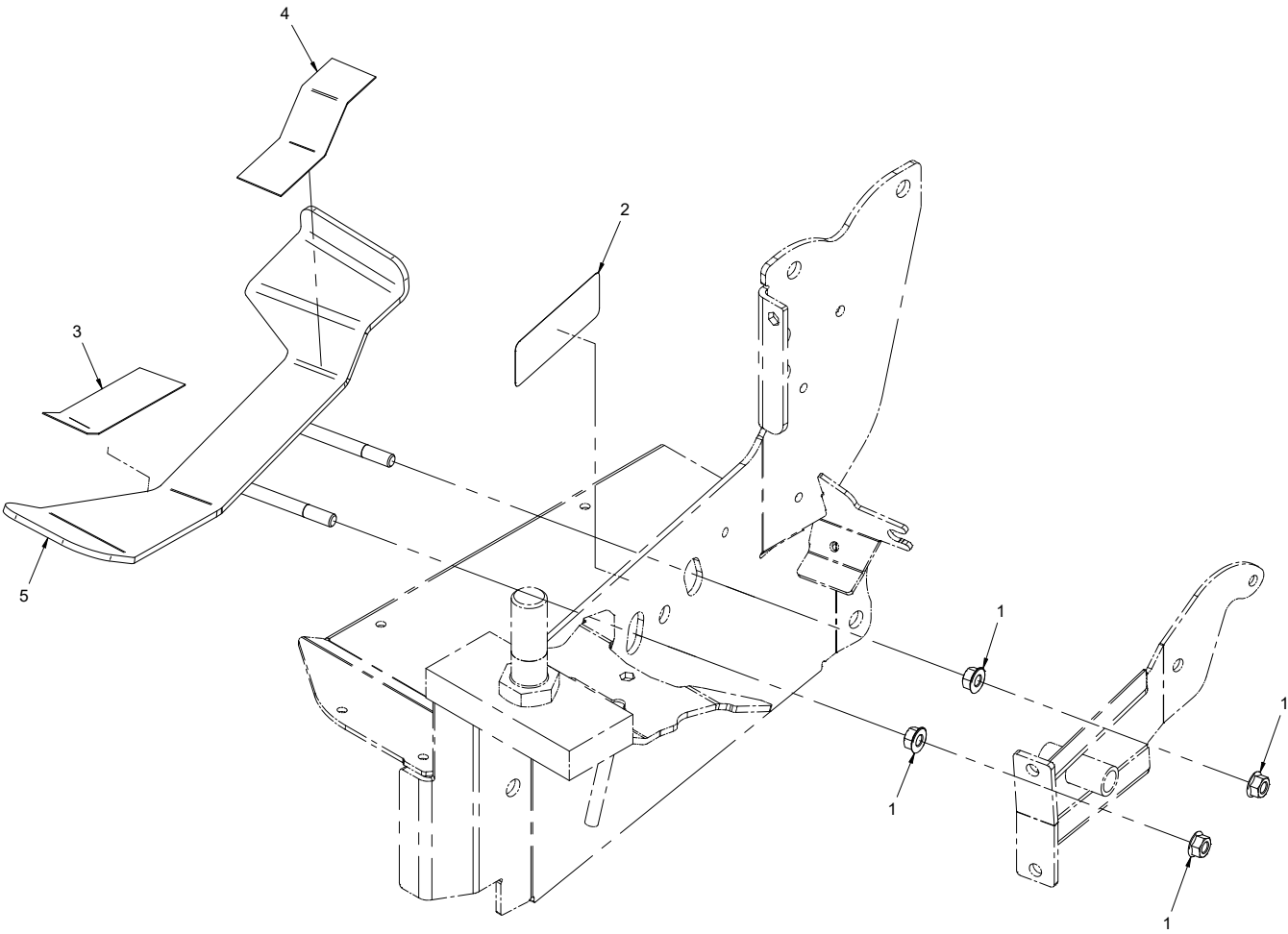
OPTIONS

70.4098 Wheel Extension Kit

| REF. | PART NO. | DESCRIPTION | QTY. |
|------|----------|---------------------------------|------|
| 1 | 53.0144 | .HUB, 3" WHEEL EXTENSION | 4 |
| 2 | 93.07 | .NUT, 7/16-20 SAE | 20 |
| 3 | 99.K0120 | .BOLT, 7/16-20 X 1-1/2 WHL STUD | 20 |

OPTIONS

ILLUSTRATED DRAWING 70.4107 Foot Control Kit



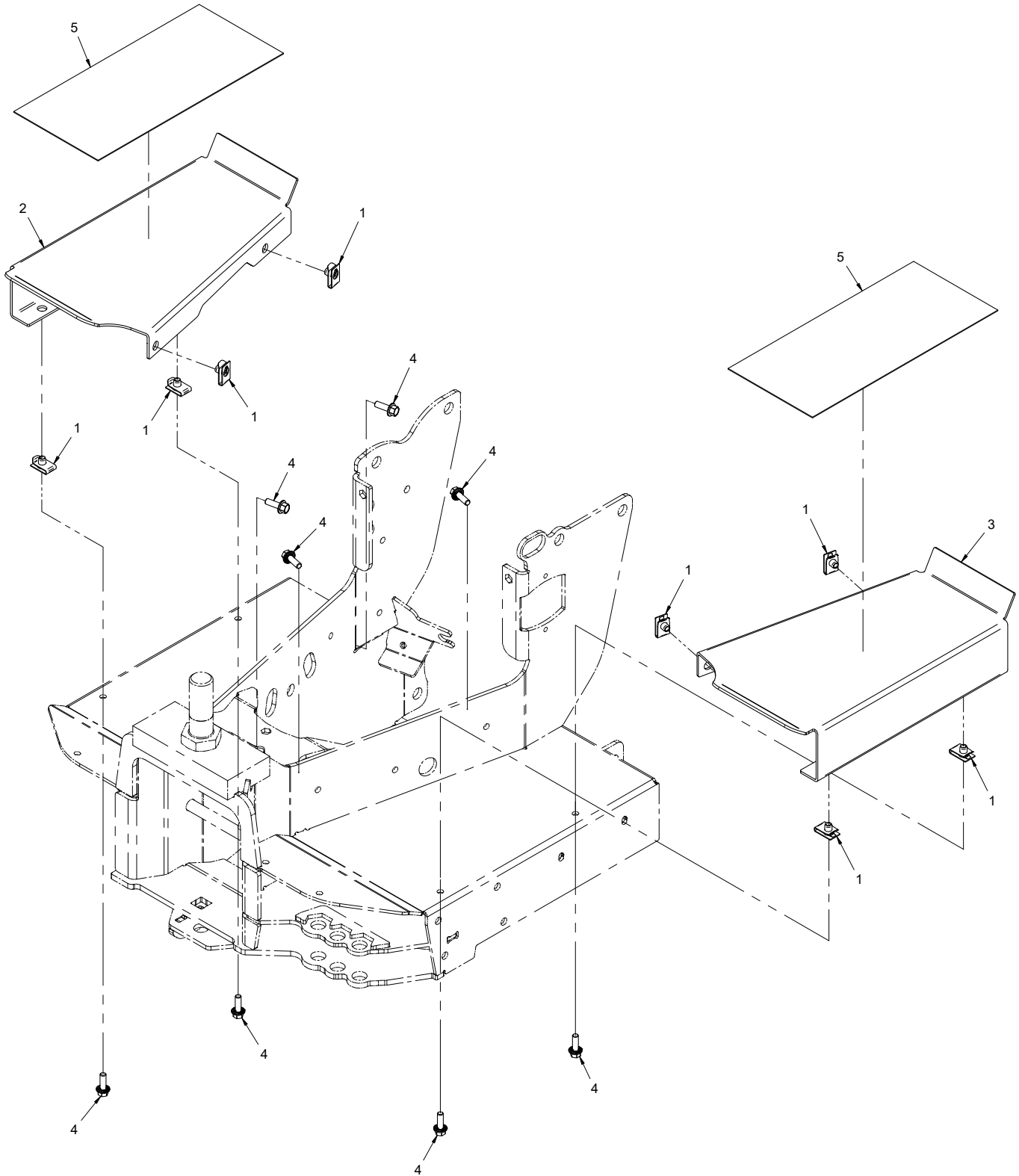
OPTIONS

70.4107 Foot Control Kit

| REF. | PART NO. | DESCRIPTION | QTY. |
|------|---------------|--------------------------------------|------|
| 1 | 99.SF06 | NUT, SRF 3/8-16 USS. | 4 |
| 2 | 00.0338 | DECAL, FOOT CONTROL. | 1 |
| 3 | 56.0055-1.5IN | FLEX TREAD, 5" BLACK COARSE X 1-1/2" | 1 |
| 4 | 56.0055-1.5IN | FLEX TREAD, 5" BLACK COARSE X 1-1/2" | 1 |
| 5 | 62.1377 | PEDAL, FOOT KN. | 1 |

OPTIONS

ILLUSTRATED DRAWING 70.4108 Raised Platform Kit



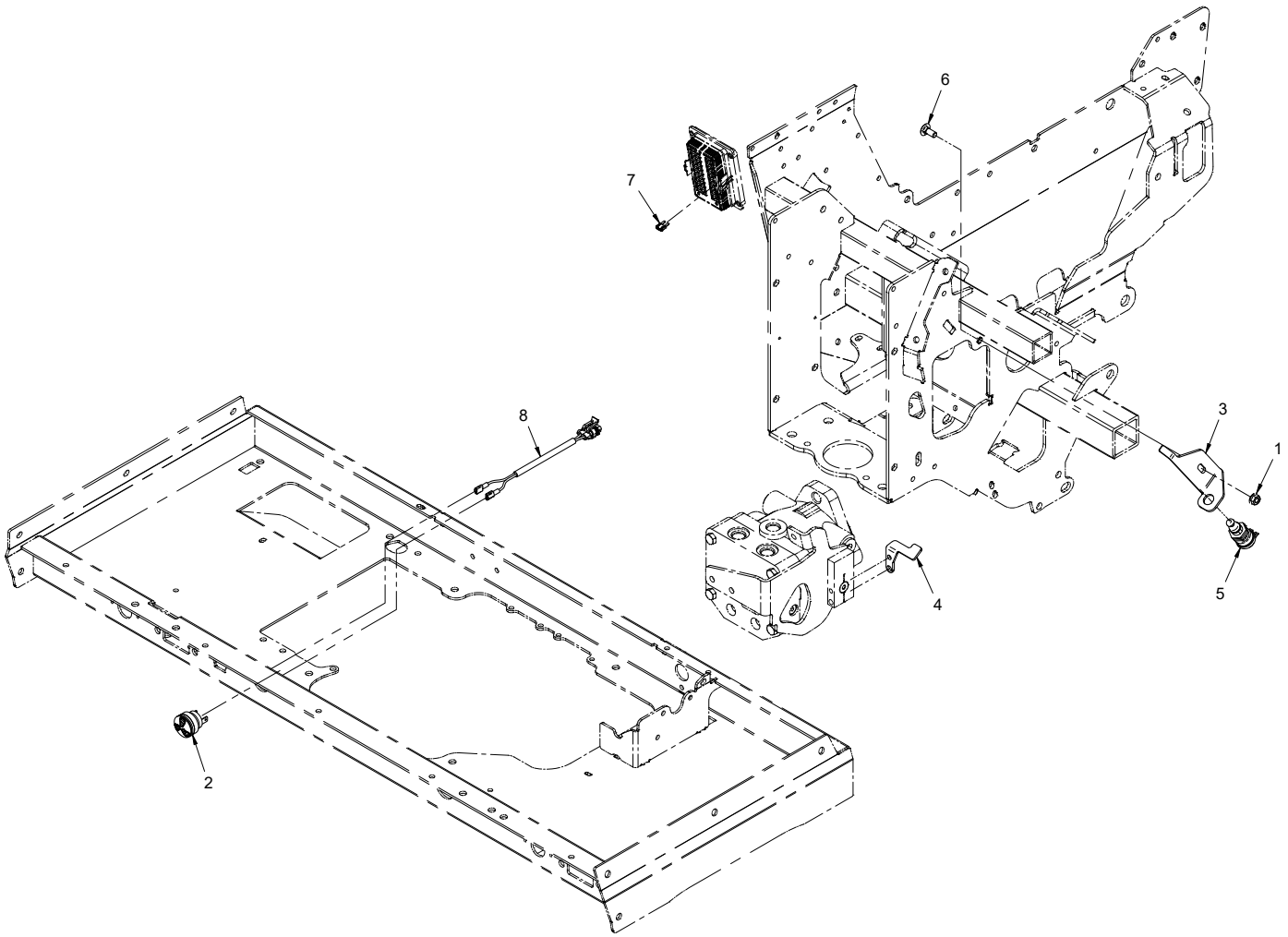
OPTIONS

70.4108 Raised Platform Kit

| REF. | PART NO. | DESCRIPTION | QTY. |
|------|--------------|------------------------------------|------|
| 1 | 99.E0046 | .NUT, "U" 1/4-20 EXTRUDED | 8 |
| 2 | 62.1384 | .FRAME, RAISED PLATFORM RH | 1 |
| 3 | 62.1388 | .FRAME, RAISED PLATFORM LH | 1 |
| 4 | 99.SF0406 | .BOLT, SRF 1/4-20 X 3/4 | 8 |
| 5 | 56.0055-11IN | .FLEX TREAD, 5" BLACK COARSE X 11" | 2 |

OPTIONS

ILLUSTRATED DRAWING 70.4101 Backup Alarm Kit



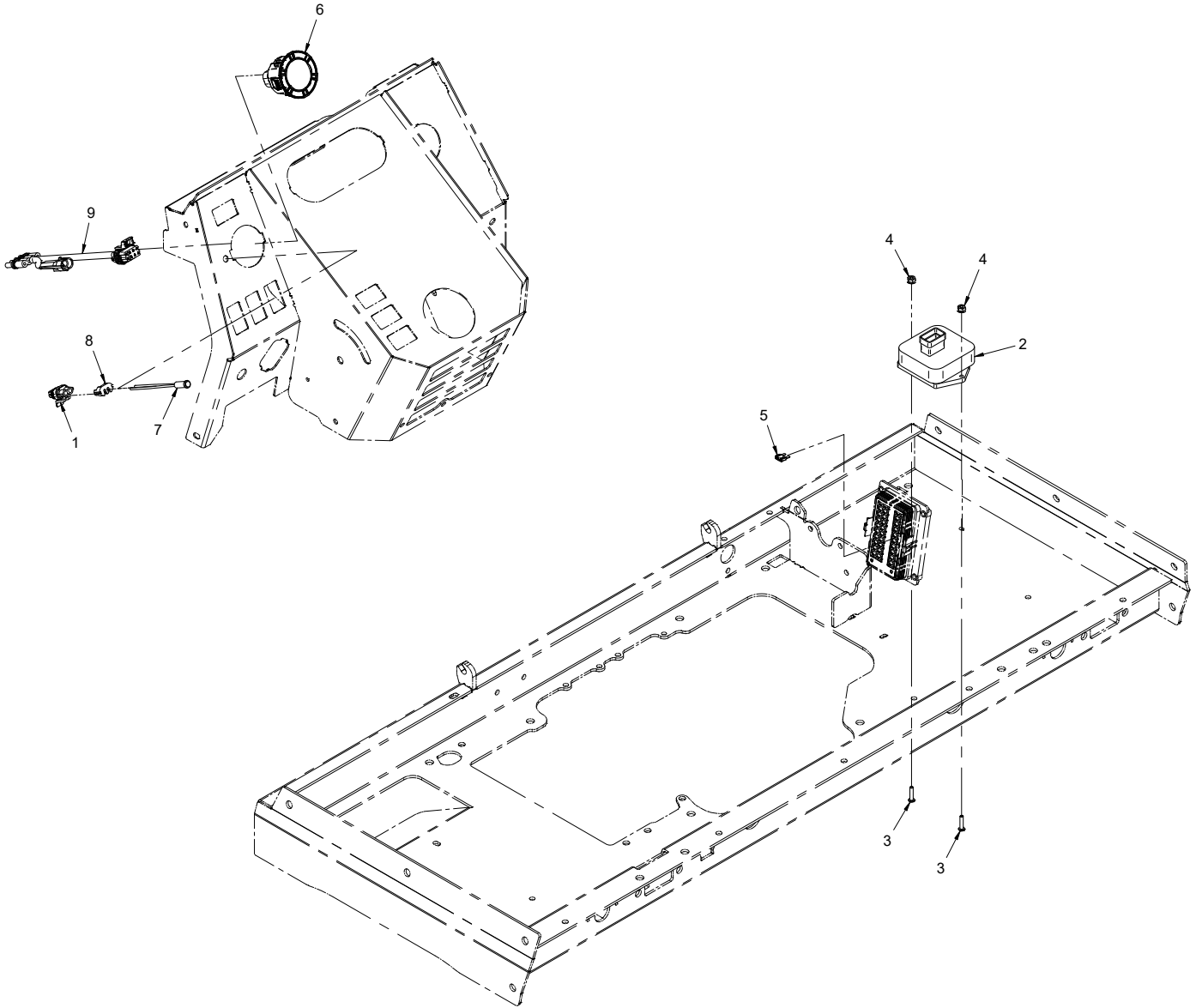
OPTIONS

70.4101 Backup Alarm Kit

| REF. | PART NO. | DESCRIPTION | QTY. |
|------|----------|-----------------------------------|------|
| 1 | 99.SF05 | .NUT, SRF 5/16-18 USS. | 1 |
| 2 | 35.0125 | .ALARM, AUDIBLE CONT. PANEL MT. | 1 |
| 3 | 64.1601 | .BRACKET, BACKUP SWITCH MOUNT | 1 |
| 4 | 64.1600 | .BRACKET, BACKUP SWITCH ACTUATOR. | 1 |
| 5 | 31.0044 | .SWITCH, PUSH BUTTON - NEUTRAL. | 1 |
| 6 | 97.0506 | .BOLT, CARRIAGE 5/16 X 3/4. | 1 |
| 7 | 30.0333 | .FUSE, 10 AMP MINI RED. | 1 |
| 8 | 32.0122 | .HARNESS, WIRE BACKUP ALARM. | 1 |

OPTIONS

ILLUSTRATED DRAWING 70.4112 Slope Indicator Kit



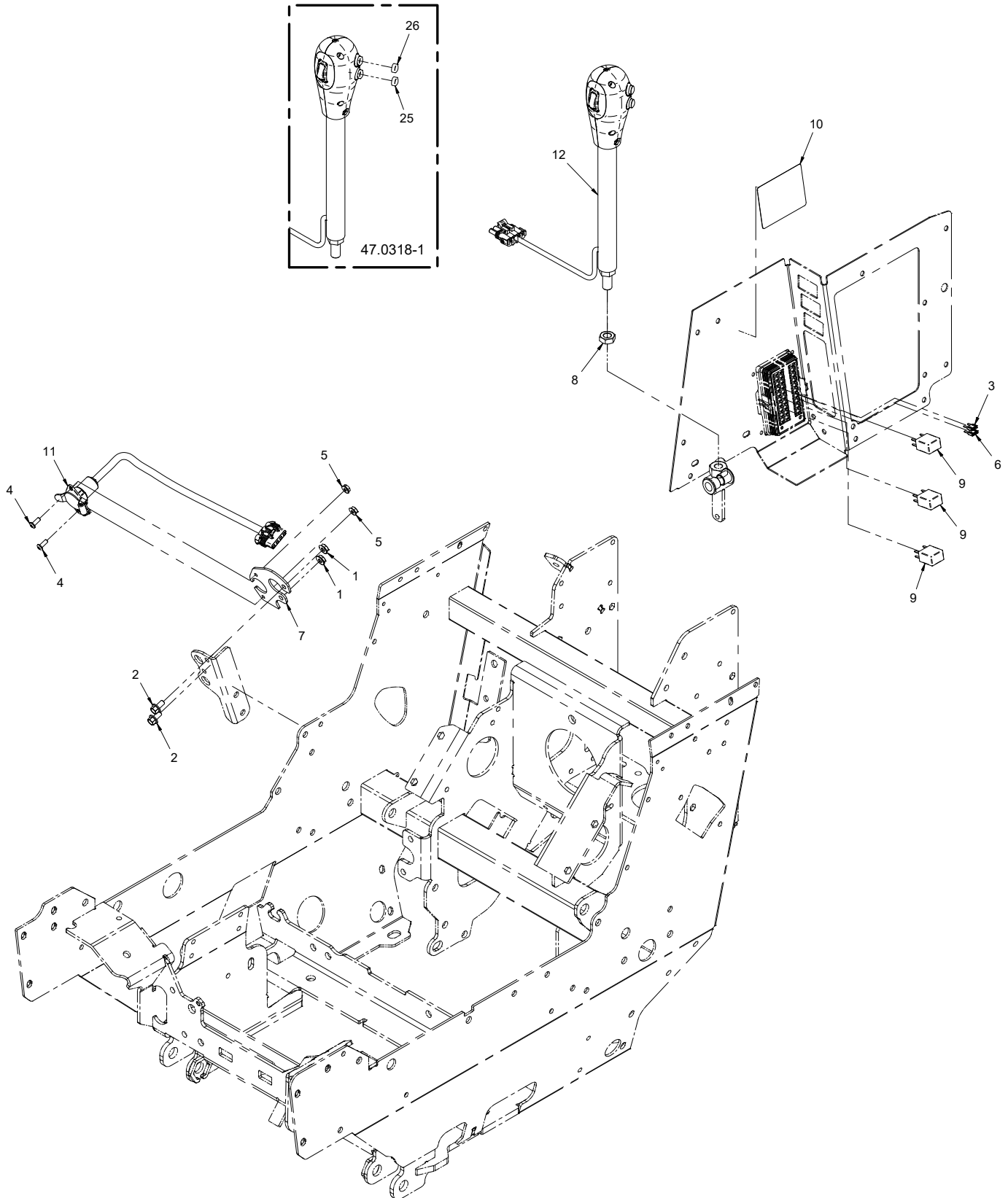
OPTIONS

70.4112 Slope Indicator Kit

| REF. | PART NO. | DESCRIPTION | QTY. |
|------|-----------|--------------------------------|------|
| 1 | 30.0344 | .CONNECTOR, MP150 FEMALE BODY | 1 |
| 2 | 35.0135 | .MODULE, SLOPE | 1 |
| 3 | 99.K0131 | .MACHINE SCREW, #8-32 X 3/4 | 2 |
| 4 | 99.E0062 | .NUT, SRF #8-32 | 2 |
| 5 | 30.0332 | .FUSE, 5 AMP MINI TAN | 1 |
| 6 | 35.0136 | .GAUGE, SLOPE INDICATOR | 1 |
| 7 | 33.0063-1 | .LIGHT, LED SUPER YELLOW | 1 |
| 8 | 30.0409 | .CLIP, MP150 CONNECTOR 2 POS | 1 |
| 9 | 32.0123 | .HARNESS, WIRE SLOPE INDICATOR | 1 |

OPTIONS

ILLUSTRATED DRAWING 70.4104 12 Volt Front Plug Kit



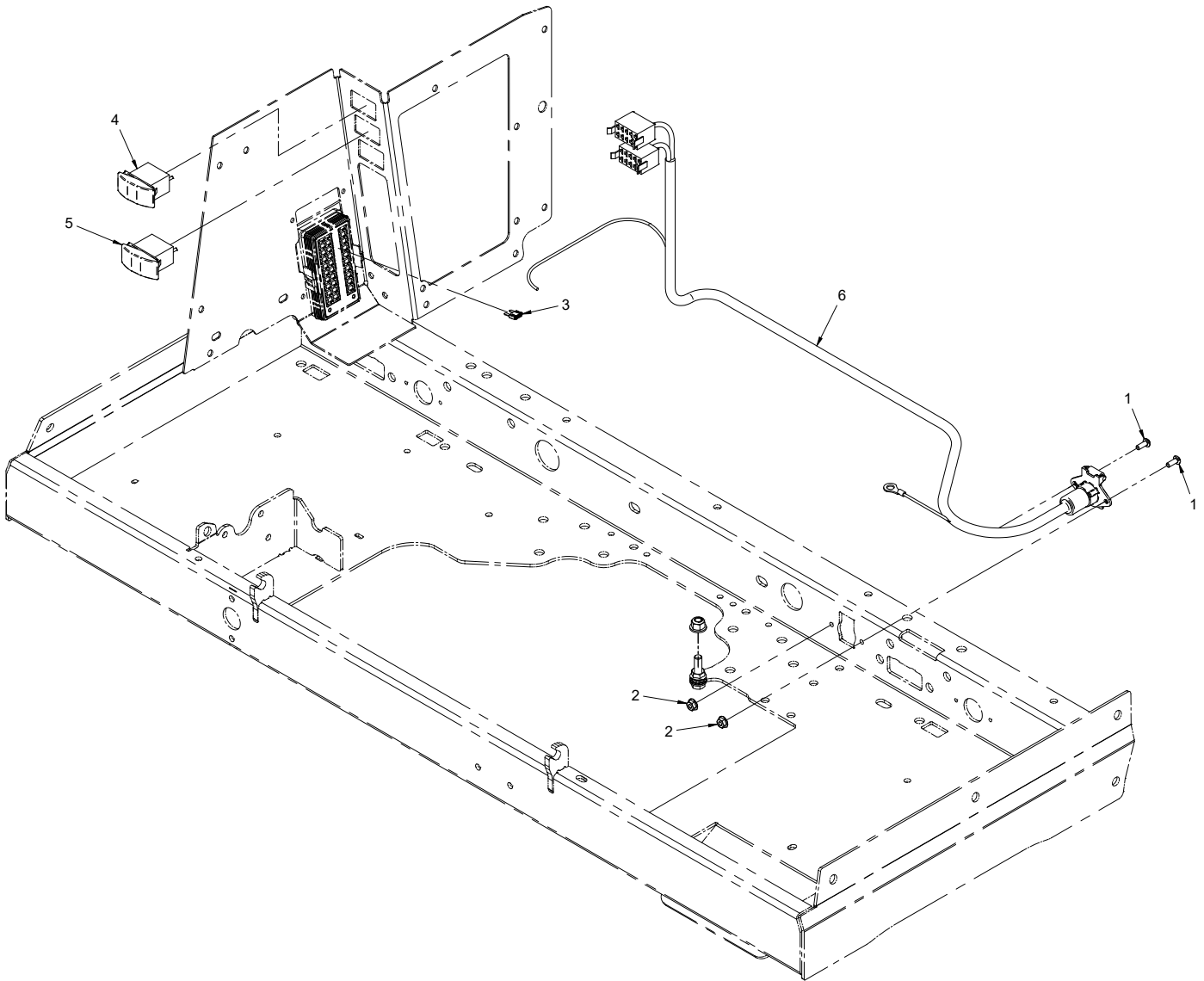
OPTIONS

70.4104 12 Volt Front Plug Kit

| REF. | PART NO. | DESCRIPTION | QTY. |
|------|-------------|------------------------------------|------|
| 1 | 99.SF04 | .NUT, SRF 1/4-20 USS. | 2 |
| 2 | 99.SF0404-1 | .BOLT, SMF 1/4-20 X 1/2 | 2 |
| 3 | 30.0332 | .FUSE, 5 AMP MINI TAN | 1 |
| 4 | 99.K0062 | .MACHINE SCREW, #10-32 X 1/2 | 2 |
| 5 | 99.E0035 | .NUT, SRF #10-32 | 2 |
| 6 | 30.0334 | .FUSE, 15 AMP MINI BLUE. | 1 |
| 7 | 64.1605 | .BRACKET, 12V 4 PIN SOCKET MT | 1 |
| 8 | 92.08 | .NUT, JAM 1/2-13 USS. | 1 |
| 9 | 35.0117 | .RELAY, 12V 35/20 AMP 280 MICRO | 3 |
| 10 | 00.0328 | .DECAL, HANDLE 12V | 1 |
| 11 | 32.0114 | .HARNESS, WIRE 12V FRONT | 1 |
| 12 | 47.0318-1 | .HANDLE, SDLA GRIP & POST | 1 |
| 25 | 47.0349 | .BUTTON, SWITCH ORANGE (1/4" TALL) | 1 |
| 25 | 47.0427 | .BUTTON, SWITCH ORANGE (1/8" TALL) | 1 |
| 26 | 47.0348 | .BUTTON, SWITCH YELLOW (1/4" TALL) | 1 |
| 26 | 47.0426 | .BUTTON, SWITCH YELLOW (1/8" TALL) | 1 |

OPTIONS

ILLUSTRATED DRAWING 70.4105 12 Volt Rear Plug Kit



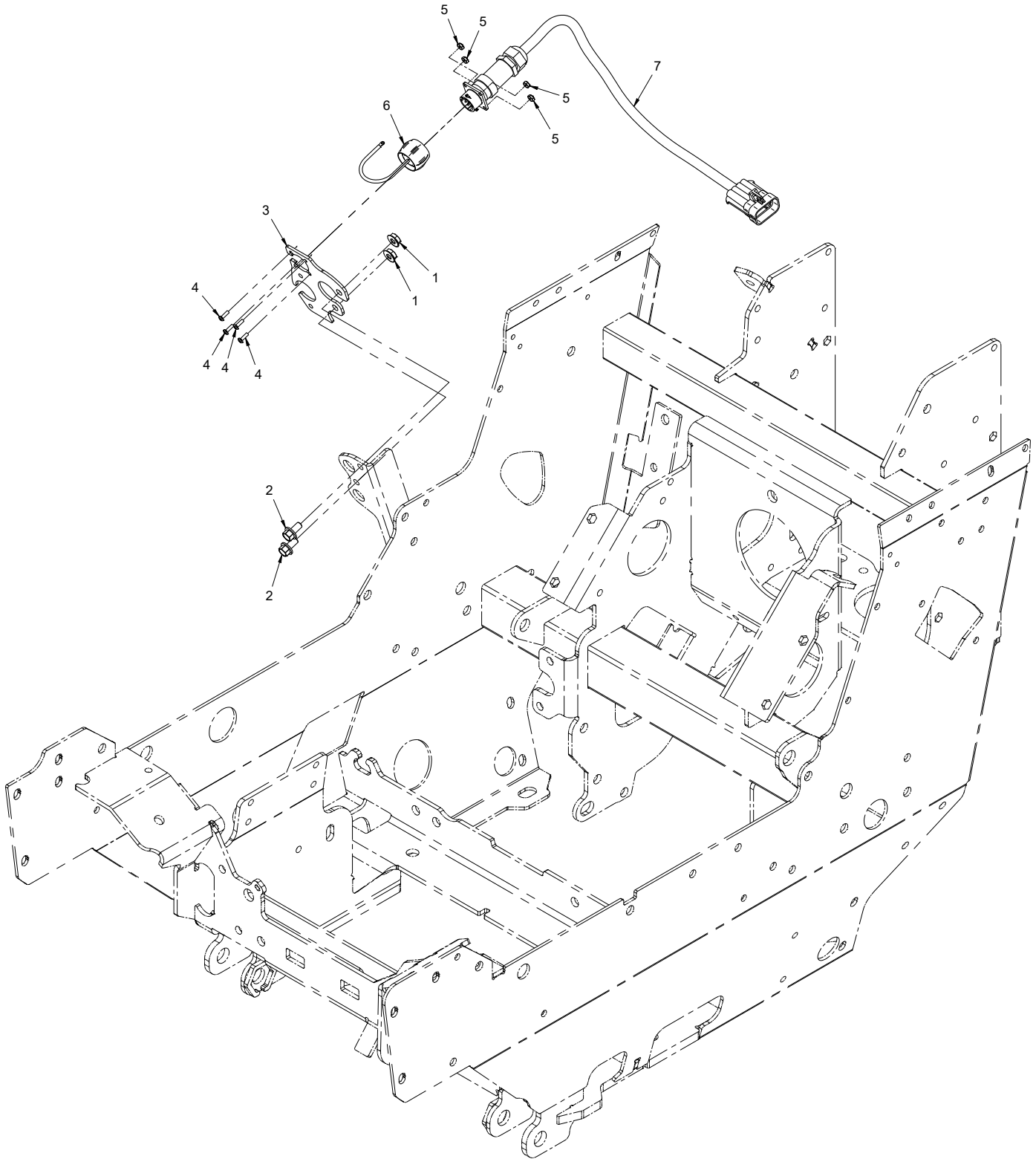
OPTIONS

70.4105 12 Volt Rear Plug Kit

| REF. | PART NO. | DESCRIPTION | QTY. |
|------|----------|-------------------------------|------|
| 1 | 99.K0062 | .MACHINE SCREW, #10-32 X 1/2 | 2 |
| 2 | 99.E0035 | .NUT, SRF #10-32 | 2 |
| 3 | 30.0335 | .FUSE, 20 AMP MINI YELLOW | 1 |
| 4 | 31.0053 | .SWITCH, ROCKER ON/OFF | 1 |
| 5 | 31.0056 | .SWITCH, ROCKER (ON)/OFF/(ON) | 1 |
| 6 | 32.0113 | .HARNESS, WIRE 12V REAR | 1 |

OPTIONS

ILLUSTRATED DRAWING 70.4106 PTO Remote Kit



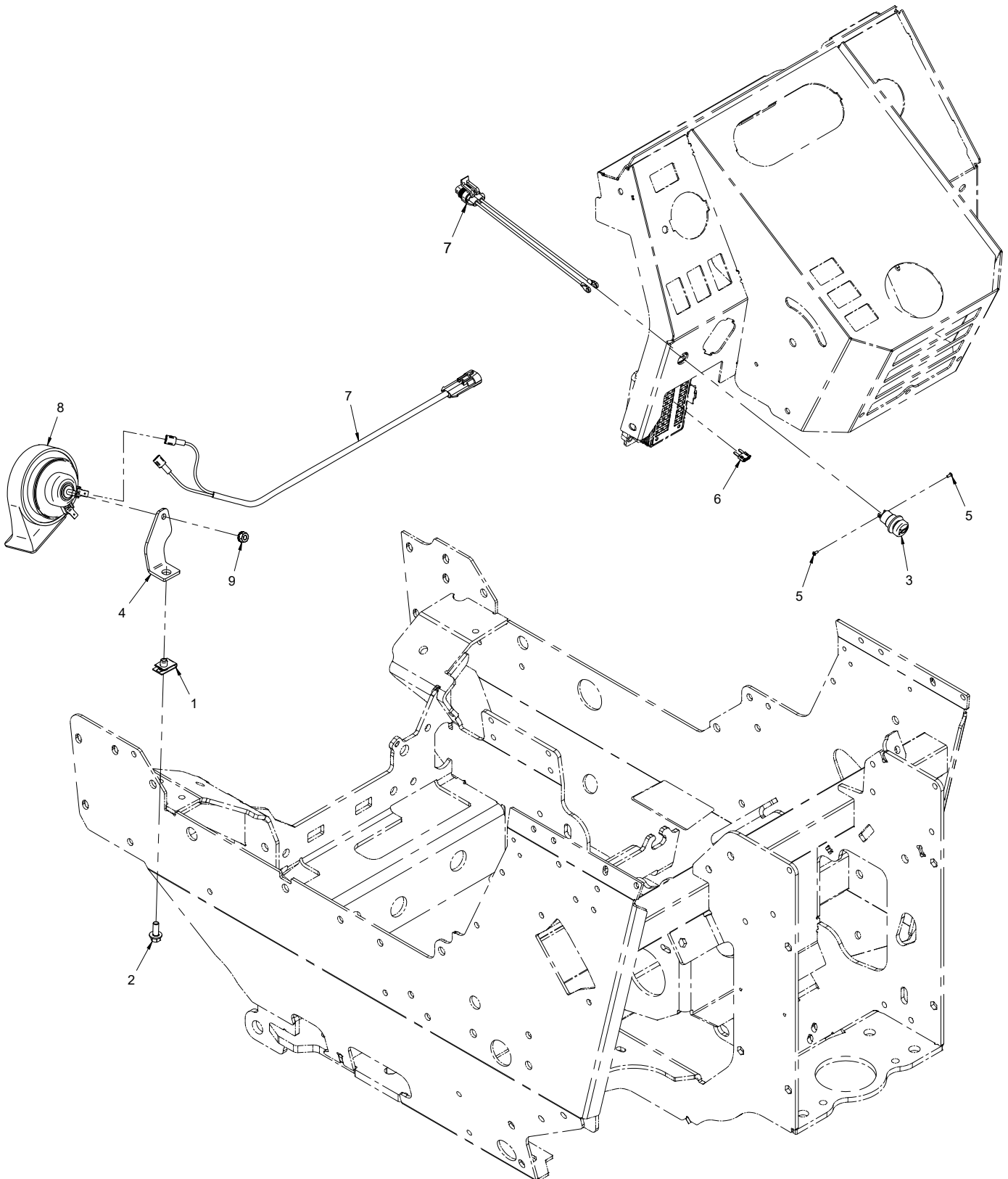
OPTIONS

70.4106 PTO Remote Kit

| REF. | PART NO. | DESCRIPTION | QTY. |
|------|-------------|--------------------------------|------|
| 1 | 99.SF04 | .NUT, SRF 1/4-20 USS. | 2 |
| 2 | 99.SF0404-1 | .BOLT, SMF 1/4-20 X 1/2 | 2 |
| 3 | 64.1607 | .BRACKET, 12V DUAL SOCKETMOUNT | 1 |
| 4 | 99.K0130 | .MACHINE SCREW, #4-40 X 3/8. | 4 |
| 5 | 99.E0110 | .NUT, JAM #4-40 NYLON LOCK. | 4 |
| 6 | 30.0441 | .CAP, UTS MALE CONNECTOR | 1 |
| 7 | 32.0121 | .HARNESS, WIRE PTO REMOTE | 1 |

OPTIONS

ILLUSTRATED DRAWING 70.4120 Horn Kit



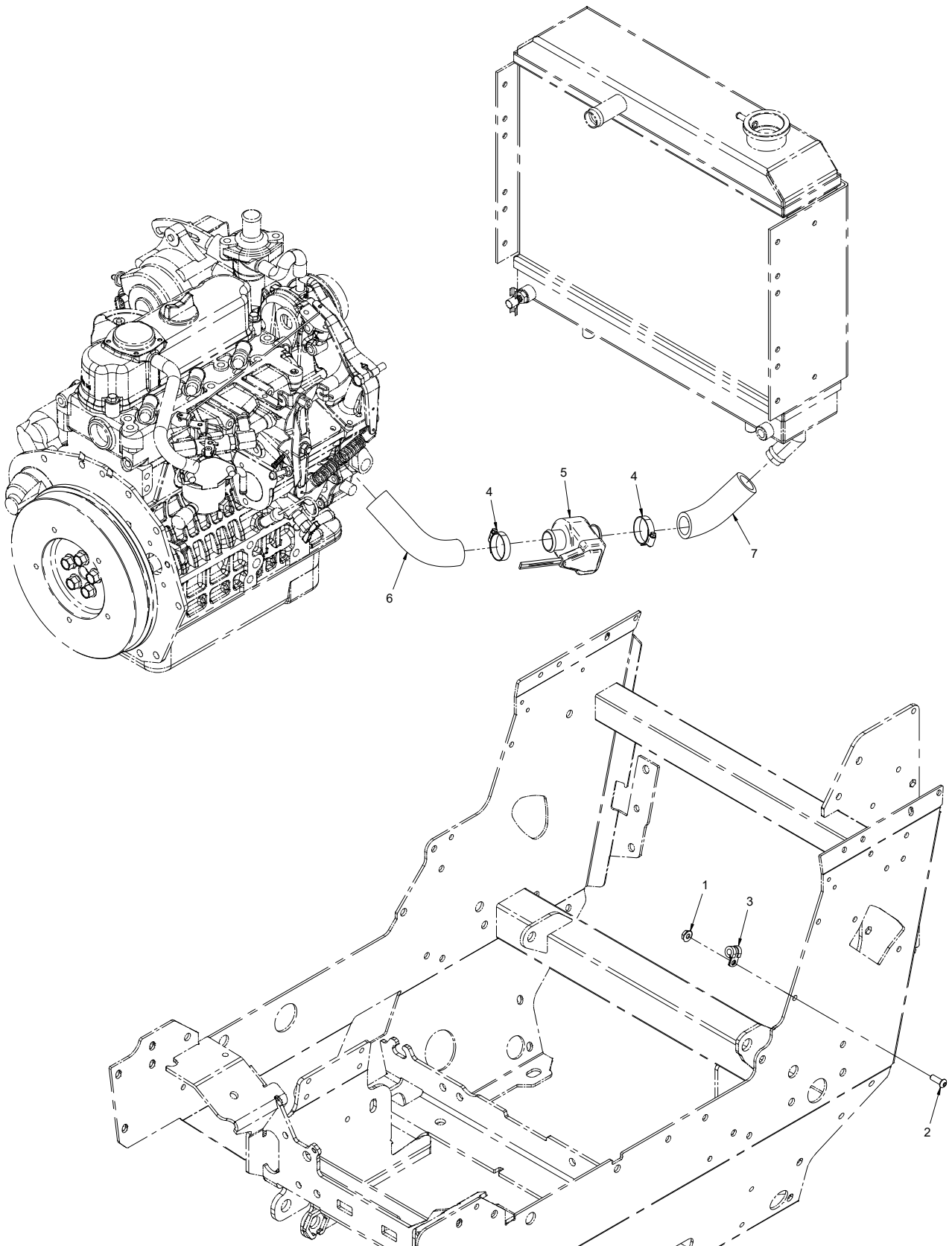
OPTIONS

70.4120 Horn Kit

| REF. | PART NO. | DESCRIPTION | QTY. |
|------|-------------|------------------------------|------|
| 1 | 99.E0046 | .NUT, "U" 1/4-20 EXTRUDED | 1 |
| 2 | 99.SF0405-1 | .BOLT, SMF 1/4-20 X 5/8 | 1 |
| 3 | 31.0057 | .SWITCH, HORN | 1 |
| 4 | 64.1711 | .BRACKET, HORN | 1 |
| 5 | 99.K0125 | .MACHINE SCREW, #2-56 X 3/16 | 2 |
| 6 | 30.0332 | .FUSE, 5 AMP MINI TAN | 1 |
| 7 | 32.0115 | .HARNESS, WIRE HORN | 1 |
| 8 | 33.0019 | .HORN, LOW TONE | 1 |
| 9 | 99.M0029 | .NUT, M6 X 1.0 W/LOCK WASHER | 1 |

OPTIONS

ILLUSTRATED DRAWING 70.4102 Kubota Engine Heater Kit



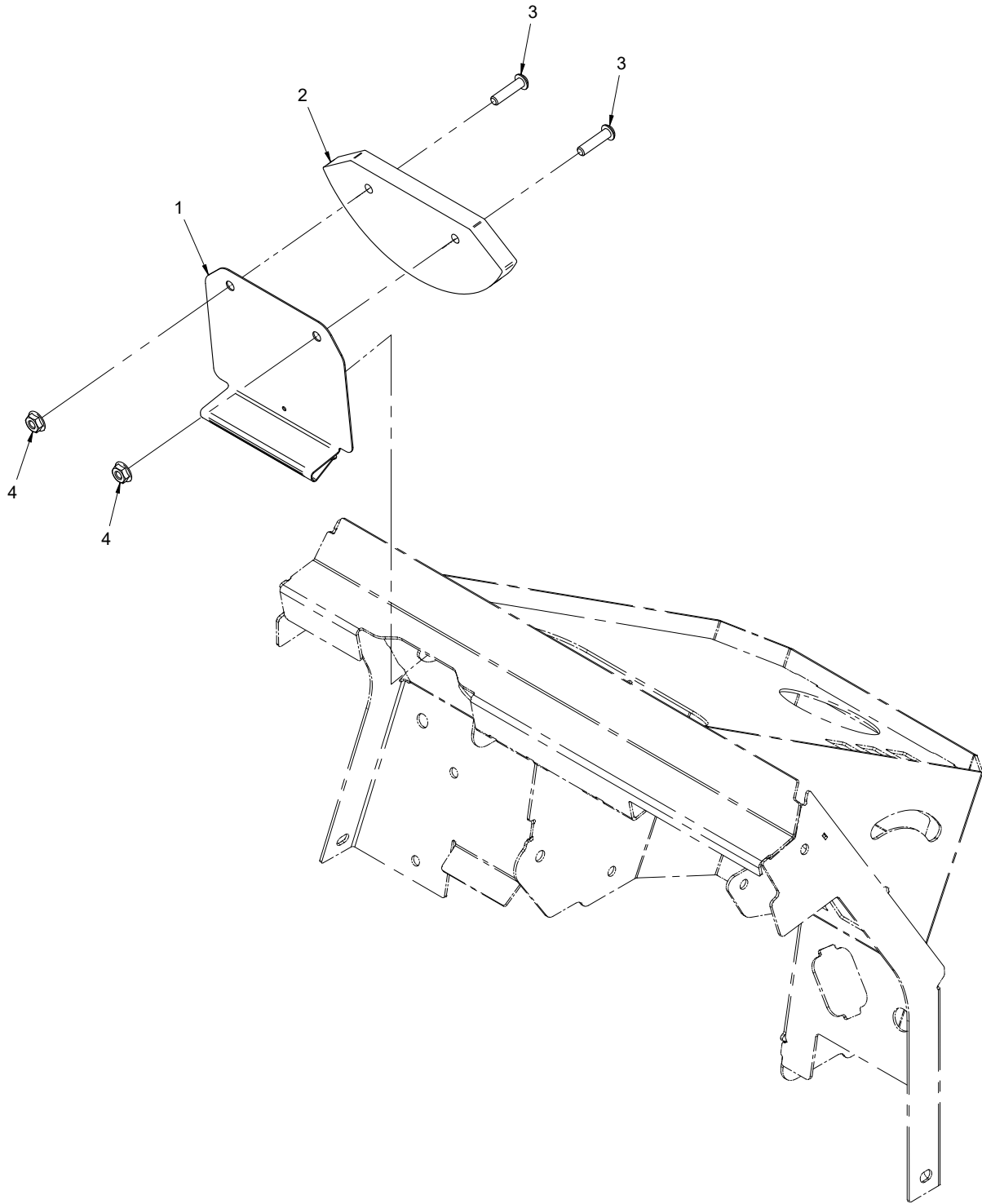
OPTIONS

70.4102 Kubota Engine Heater Kit

| REF. | PART NO. | DESCRIPTION | QTY. |
|------|-----------|-------------------------------|------|
| 1 | 99.SF04 | .NUT, SRF 1/4-20 USS | 1 |
| 2 | 99.0406 | .BOLT, 1/4-20 X 3/4 BSCS | 1 |
| 3 | 11.0058 | .CLAMP, CUSHIONED 3/8" ROUND | 1 |
| 4 | 11.0052 | .CLAMP, HOSE SS 13/16 X 1-1/2 | 2 |
| 5 | 13.0303 | .HEATER, RADIATOR HOSE | 1 |
| 6 | 13.0263-1 | .HOSE, HEATER ENGINE SIDE | 1 |
| 7 | 13.0263-2 | .HOSE, HEATER RADIATOR SIDE | 1 |

OPTIONS

ILLUSTRATED DRAWING 70.4135 Slope Indicator Kit



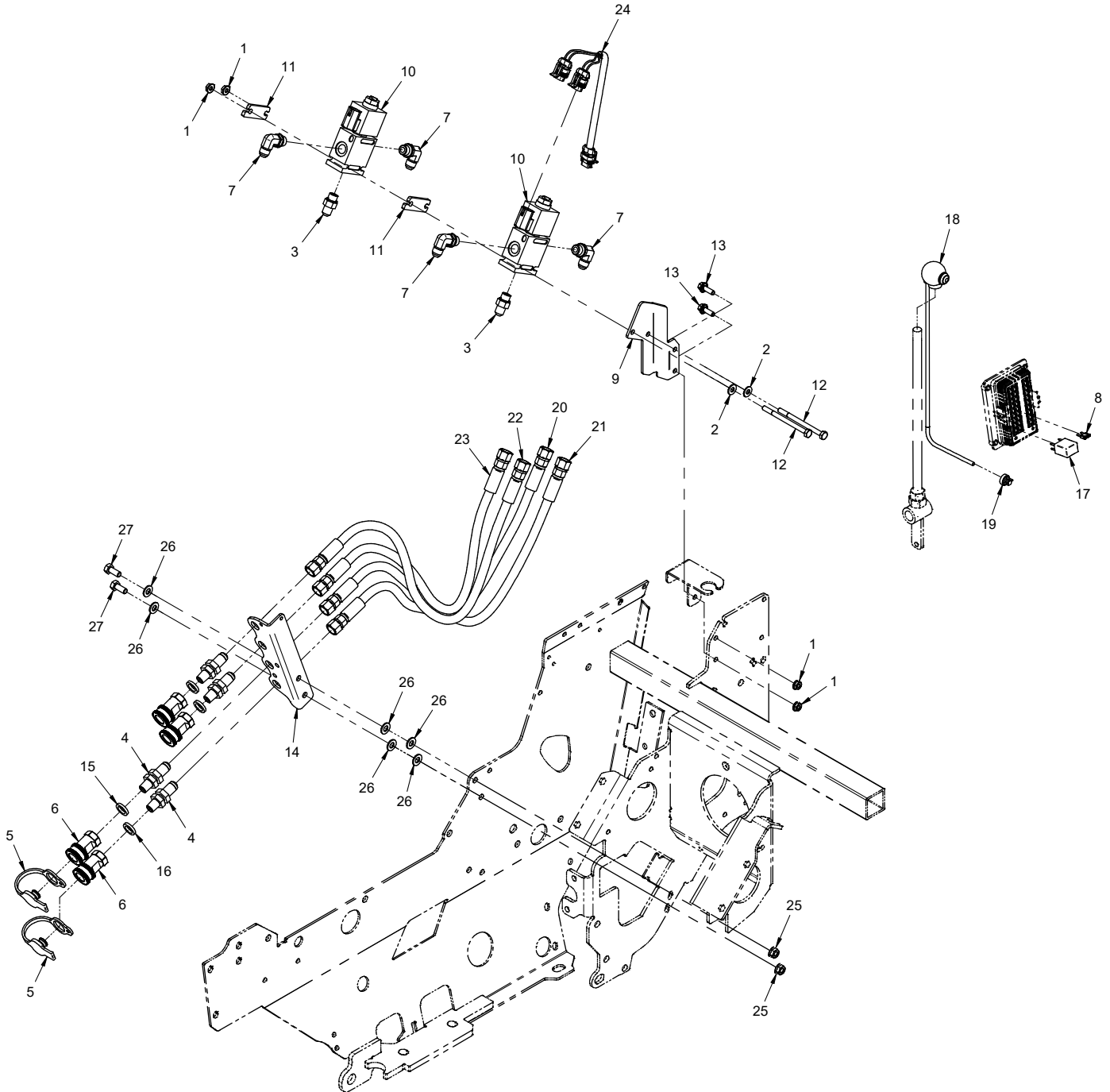
OPTIONS

70.4135 Slope Indicator Kit

| REF. | PART NO. | DESCRIPTION | QTY. |
|------|----------|--------------------------------|------|
| 1 | 64.1844 | .BRACKET, SLOPE INDICATOR 4500 | 1 |
| 2 | 35.0105 | .INDICATOR, SLOPE DEGREE | 1 |
| 3 | 99.0408 | .BOLT, 1/4-20 X 1 BSCS | 2 |
| 4 | 99.SF04 | .NUT, SRF 1/4-20 USS | 2 |

OPTIONS

ILLUSTRATED DRAWING 70.4109 Dual Front Hydraulic Auxiliary Kit



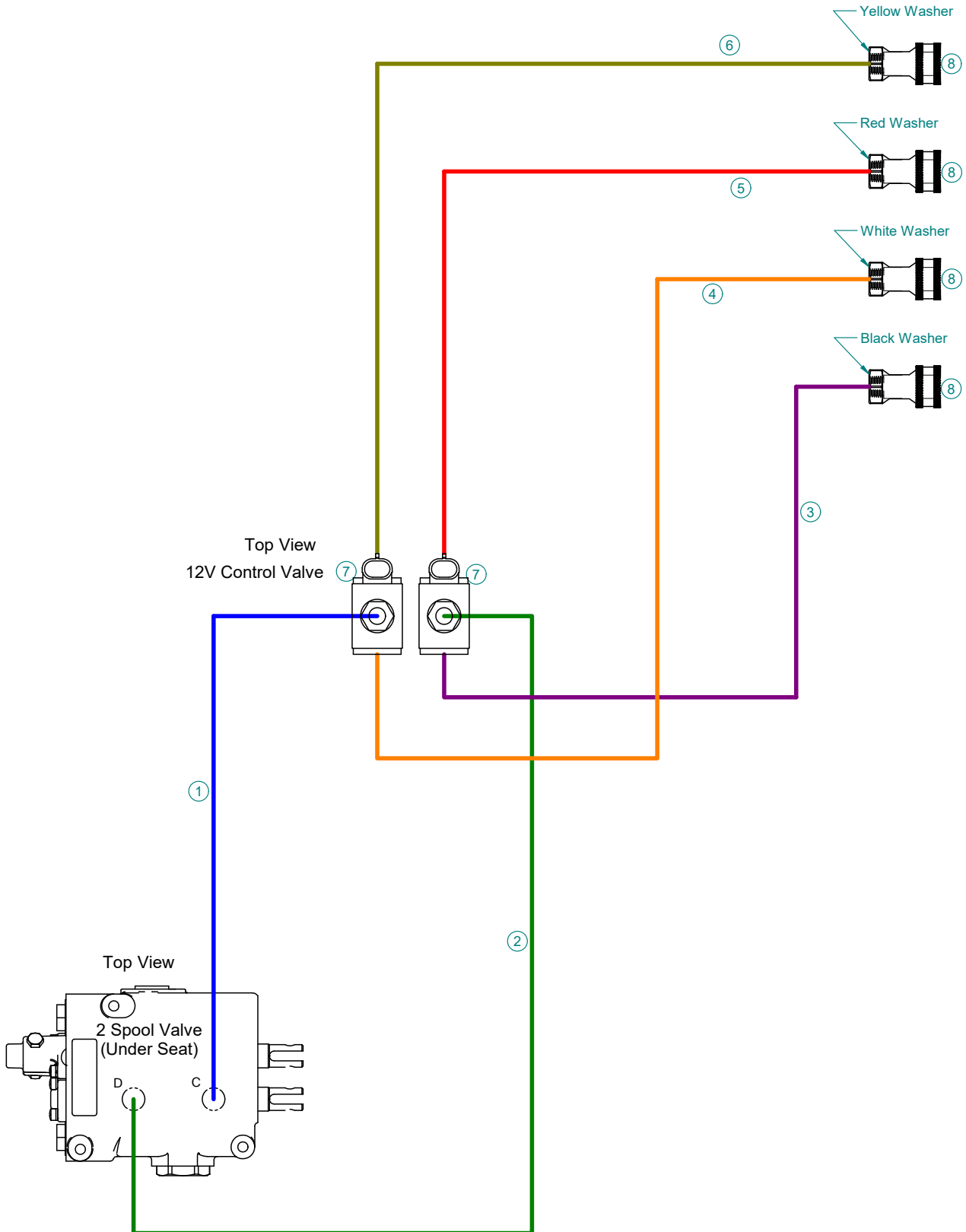
OPTIONS

70.4109 Dual Front Hydraulic Auxiliary Kit

| REF. | PART NO. | DESCRIPTION | QTY. |
|------|-----------------|--|------|
| 1 | 99.SF04 | .NUT, SRF 1/4-20 USS | 4 |
| 2 | 95.04 | .WASHER, FLAT 1/4 SAE | 2 |
| 3 | 25.6400-06-06 | .FITTING, M CONN 3/8 X 3/8 | 2 |
| 4 | 25.2706-04-06LN | .FITTING, BULKHEAD W/ LOCKNUT | 2 |
| 5 | 23.0126 | .PLUG, DUST FOR 23.0106 | 2 |
| 6 | 23.0106 | .COUPLER, HYDRAULIC QUICK - 1/4 FEMALE | 2 |
| 7 | 25.6801-06-06 | .FITTING, 90 ME 3/8 X 3/8 | 4 |
| 8 | 30.0333 | .FUSE, 10 AMP MINI RED | 1 |
| 9 | 64.1650 | .BRACKET, DUAL VALVE MOUNT | 1 |
| 10 | 23.0164 | .VALVE, DIRECTIONAL 12V | 2 |
| 11 | 64.1649 | .PLATE, SPACER HYD VALVE | 2 |
| 12 | 90.0428 | .BOLT, 1/4-20 USS X 3-1/2" | 2 |
| 13 | 99.SF0406-1 | .BOLT, SMF 1/4-20 X 3/4 | 2 |
| 14 | 64.1602 | .BRACKET, HYD COUPLER 4 POS | 1 |
| 15 | 05.0156 | .WASHER, .544ID X .817 X 14 NAT | 1 |
| 16 | 05.0157 | .WASHER, .544 X .817 X 14 BLK | 1 |
| 17 | 35.0117 | .RELAY, 12V 35/20 AMP 280 MICRO | 1 |
| 18 | 47.0336 | .HANDLE, GRIP W/SWITCH | 1 |
| 19 | 30.0037 | .TYTON TIE, #50 .18 X 8 BLACK | 2 |
| 20 | 20.0306 | .HOSE, 1/4X25.00 SAE 100R17 AR | 1 |
| 21 | 20.0306 | .HOSE, 1/4X25.00 SAE 100R17 AR | 1 |
| 22 | 20.0306 | .HOSE, 1/4X25.00 SAE 100R17 AR | 1 |
| 23 | 20.0306 | .HOSE, 1/4X25.00 SAE 100R17 AR | 1 |
| 24 | 32.0120 | .HARNESS, WIRE DUAL HYDRAULIC | 1 |
| 25 | 99.SF05 | .NUT, SRF 5/16-18 USS | 2 |
| 26 | 95.05 | .WASHER, FLAT 5/16 SAE | 6 |
| 27 | 90.0506 | .BOLT, 5/16-18 USS X 3/4" | 2 |

OPTIONS

ILLUSTRATED DRAWING Dual Front Hydraulic Auxiliary Diagram



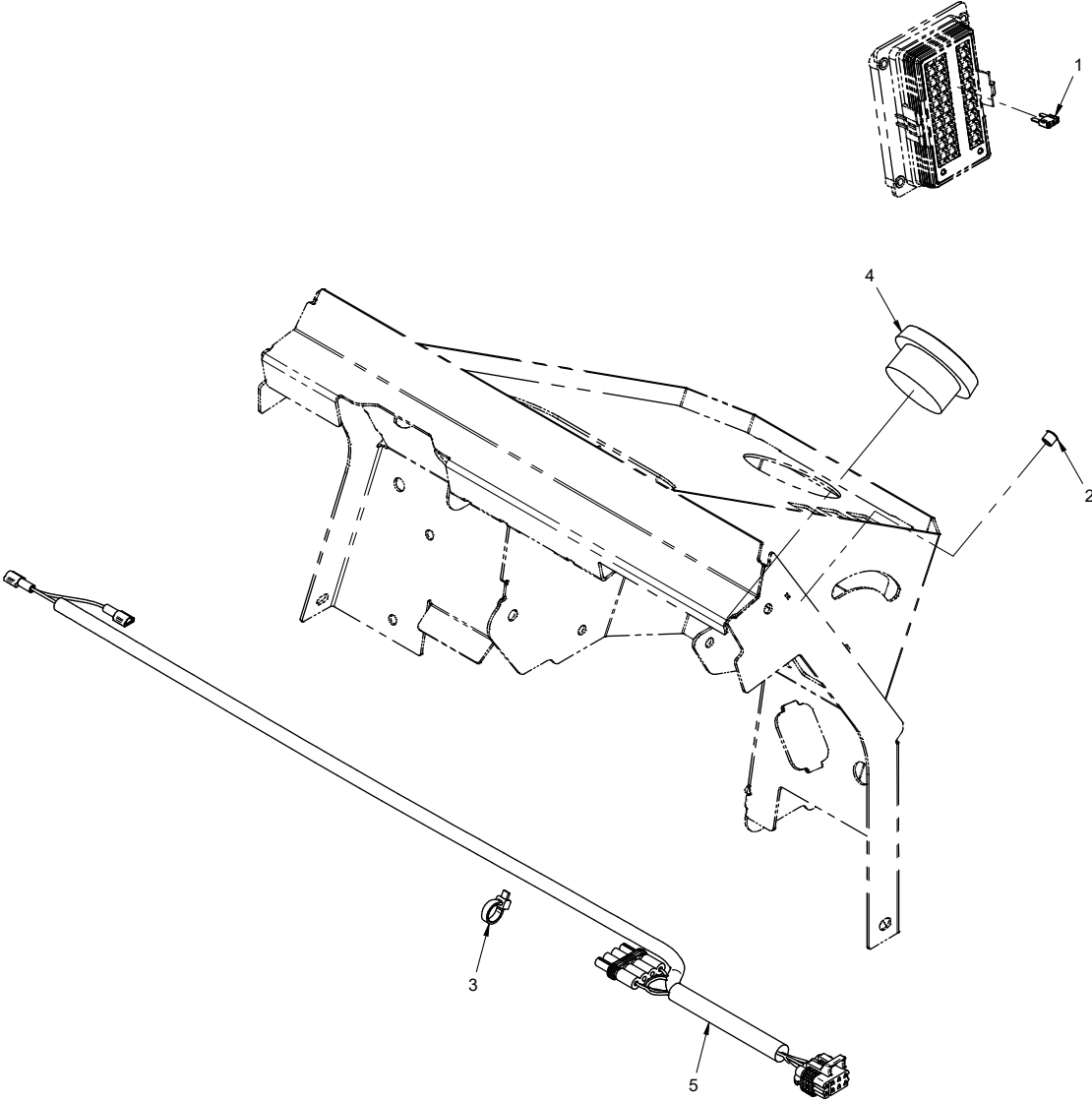
OPTIONS

Dual Front Hydraulic Auxiliary Diagram

| REF. | PART NO. | DESCRIPTION | QTY. |
|------|----------|--|------|
| 1 | 20.0303 | .HOSE, 1/4X58.00 SAE 100R17 AR | 1 |
| 2 | 20.0303 | .HOSE, 1/4X58.00 SAE 100R17 AR | 1 |
| 3 | 20.0306 | .HOSE, 1/4X25.00 SAE 100R17 AR | 1 |
| 4 | 20.0306 | .HOSE, 1/4X25.00 SAE 100R17 AR | 1 |
| 5 | 20.0306 | .HOSE, 1/4X25.00 SAE 100R17 AR | 1 |
| 6 | 20.0306 | .HOSE, 1/4X25.00 SAE 100R17 AR | 1 |
| 7 | 23.0164 | .VALVE, DIRECTIONAL 12V | 2 |
| 8 | 23.0106 | .COUPLER, HYDRAULIC QUICK - 1/4 FEMALE | 4 |

OPTIONS

ILLUSTRATED DRAWING 70.4140 Slope Indicator Kit



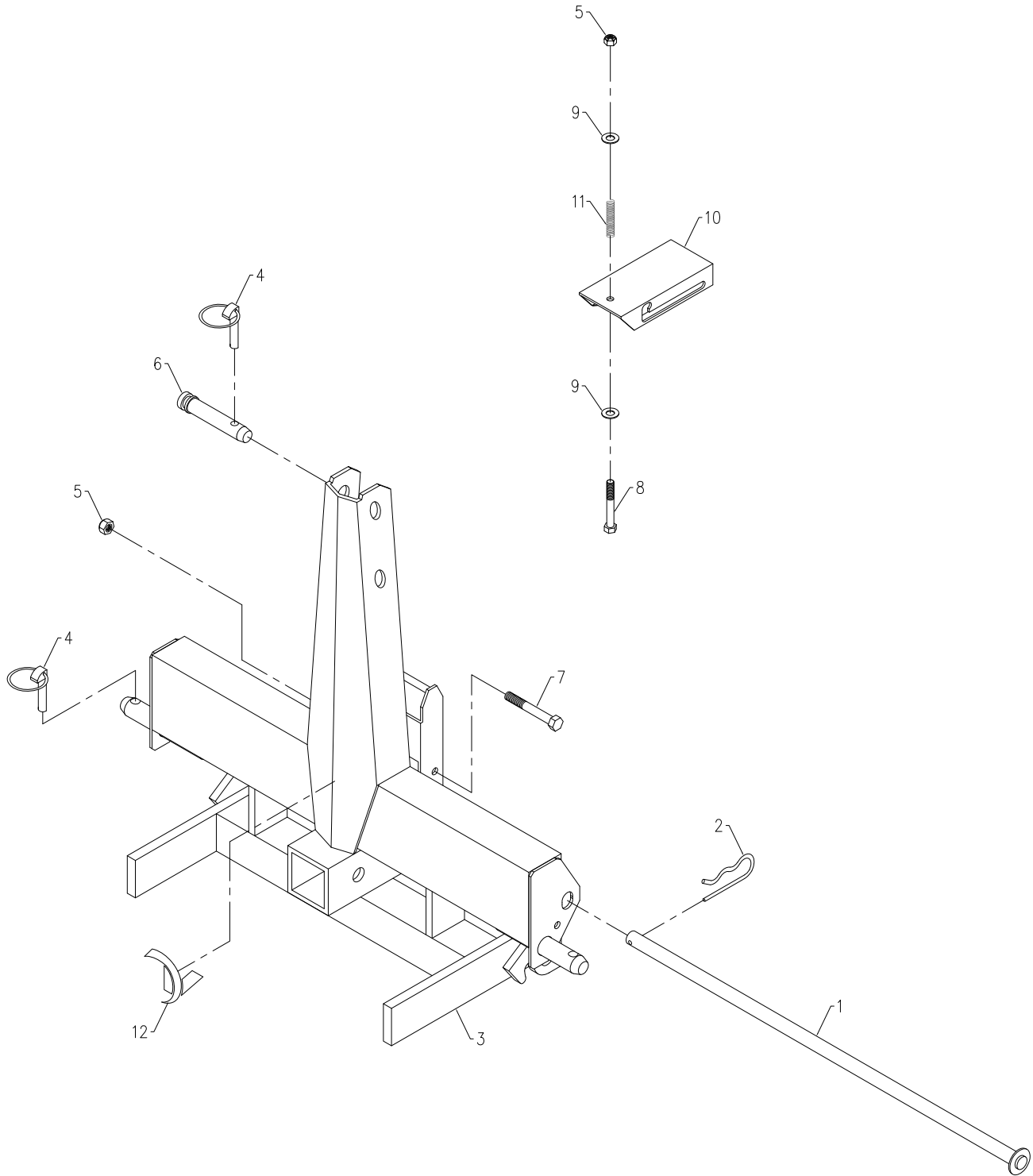
OPTIONS

70.4140 Slope Indicator Kit

| REF. | PART NO. | DESCRIPTION | QTY. |
|------|----------|--------------------------------|------|
| 1 | 30.0332 | .FUSE, 5 AMP MINI TAN | 1 |
| 2 | 05.0147 | .PLUG, 5/16" HOLE, NYLON BLACK | 1 |
| 3 | 30.0037 | .TYTON TIE, #50 .18 X 8 BLACK | 4 |
| 4 | 35.0145 | .GAUGE, SLOPE INDICATOR | 1 |
| 5 | 32.0166 | .HARNESS, WIRE SLOPE INDICATOR | 1 |

OPTIONS

ILLUSTRATED DRAWING 39.56114 3N1 Hitch



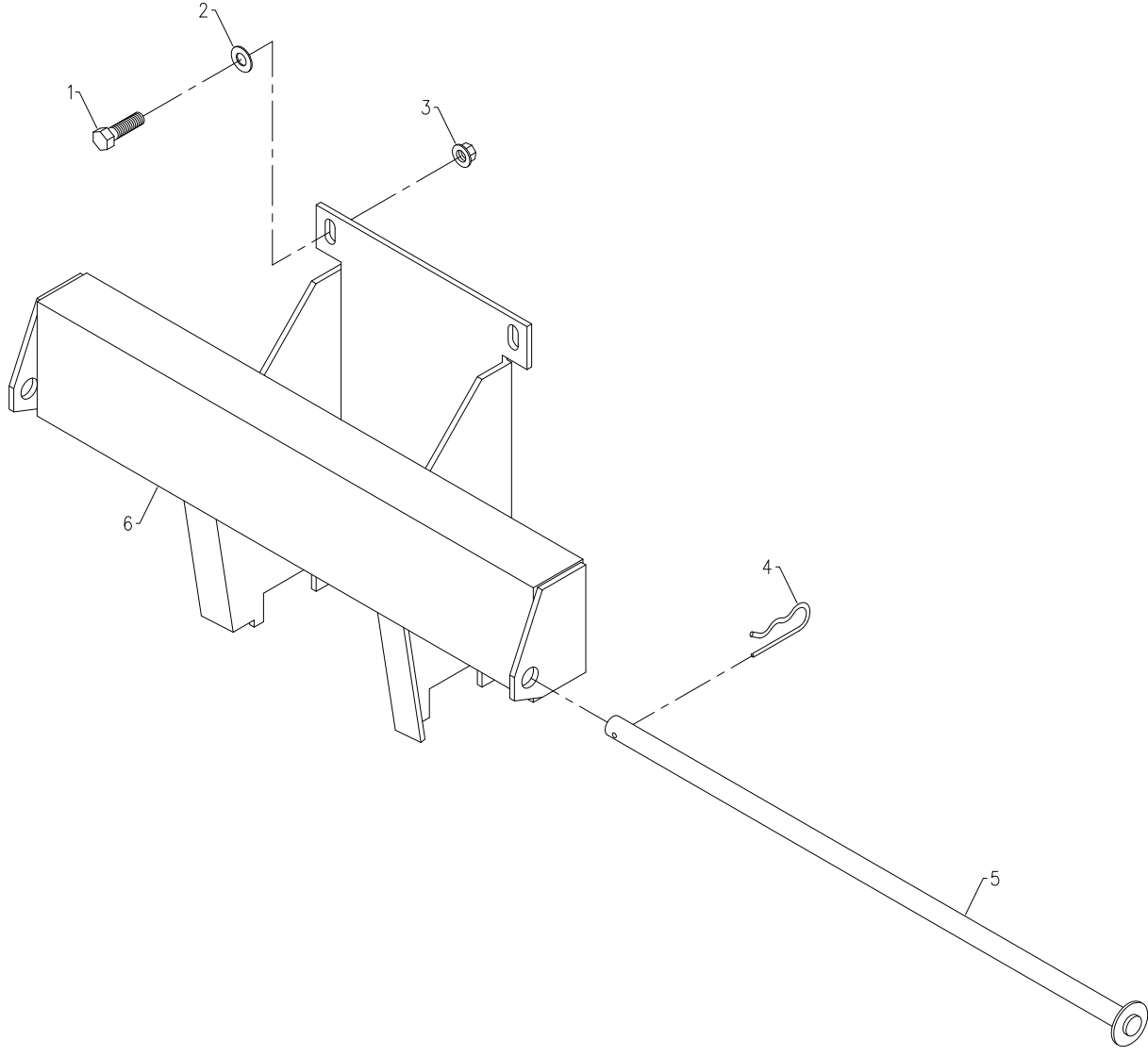
OPTIONS

39.56114 3N1 Hitch

| REF. | PART NO. | DESCRIPTION | QTY. |
|------|-----------|---------------------------------|------|
| 1 | 64.1017 | .PIN, SECURE WEIGHTS 5/8 X 24"L | 1 |
| 2 | 02.HP0420 | .HAIRPIN, 1/8 X 2 1/2 | 1 |
| 3 | 62.0925 | .FRAME, 3N1 TOW HITCH | 1 |
| 4 | 03.0005 | .PIN, LINCH | 3 |
| 5 | 99.A05 | .LOCKNUT, STOVER 5/16-18 USS | 2 |
| 6 | 03.0004 | .PIN, TOP LINK CATEGORY 1 | 1 |
| 7 | 90.0526 | .BOLT, 5/16-18 USS X 3-1/4 | 1 |
| 8 | 90.0524 | .BOLT, 5/16-18 USS X 3 | 1 |
| 9 | 95.05 | .WASHER, FLAT 5/16 SAE | 2 |
| 10 | 64.1101 | .LATCH, LEVER LOCK | 1 |
| 11 | 41.0021 | .SPRING, COMP 1/2 OD X 2-3/4 LG | 1 |
| 12 | 00.0192 | .DECAL, V-DECAL DIE CUT BLUE | 1 |

OPTIONS

ILLUSTRATED DRAWING 39.56116 Rear Counterweight Bar



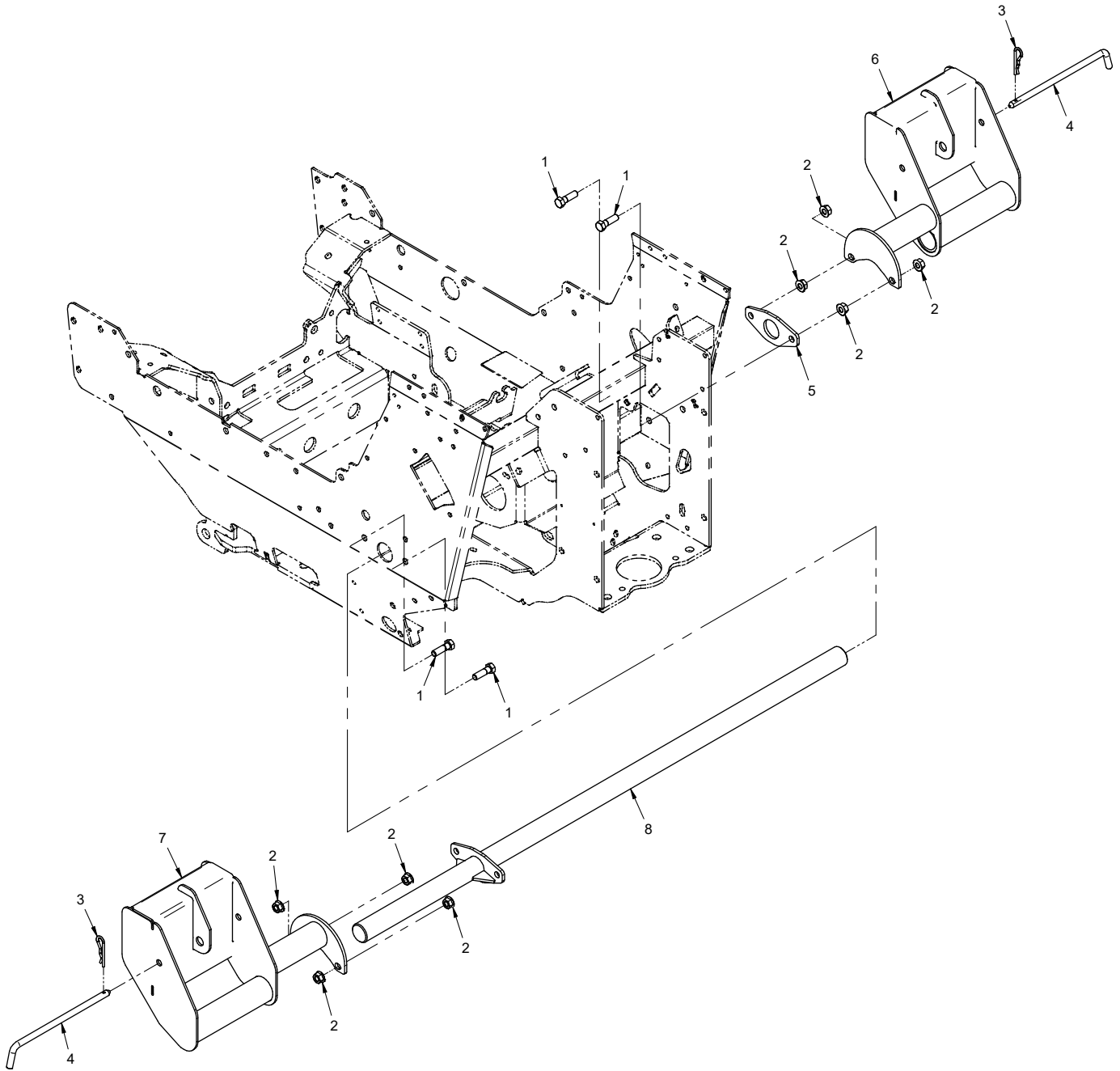
OPTIONS

39.56116 Rear Counterweight Bar

| REF. | PART NO. | DESCRIPTION | QTY. |
|------|-----------|--------------------------|------|
| 1 | 90.0606 | .BOLT, 3/8-16 USS X 3/4 | 2 |
| 2 | 95.06 | .WASHER, FLAT 3/8 SAE | 2 |
| 3 | 99.SF06 | .NUT, SRF 3/8-16 USS | 2 |
| 4 | 02.HP0420 | .HAIRPIN, 1/8 X 2 1/2 | 1 |
| 5 | 64.1040 | .PIN, WEIGHT SECURE 21"L | 1 |
| 6 | 62.0955 | .FRAME, REAR WT BRACKET | 1 |

OPTIONS

ILLUSTRATED DRAWING 70.4137 Mid Weight Bar 4500 Kit



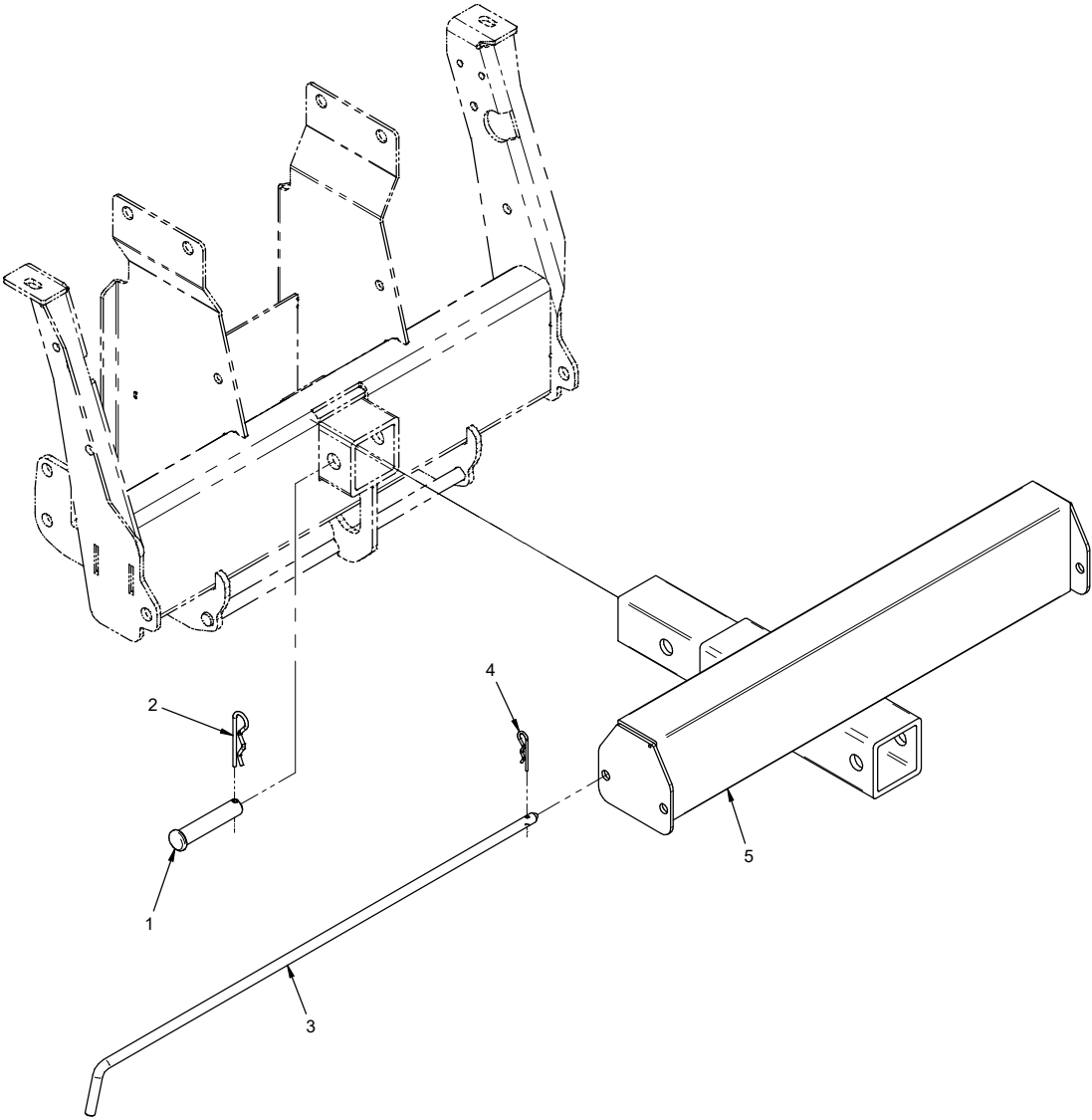
OPTIONS

70.4137 Mid Weight Bar 4500 Kit

| REF. | PART NO. | DESCRIPTION | QTY. |
|------|-----------|---------------------------------|------|
| 1 | 90.0610 | .BOLT, 3/8-16 USS X 1-1/4. | 4 |
| 2 | 99.SF06 | .NUT, SRF 3/8-16 USS. | 8 |
| 3 | 02.HP0416 | .HAIRPIN, 1/8 X 2. | 2 |
| 4 | 64.0761 | .PIN, WEIGHT SECURE 7.3" USABLE | 2 |
| 5 | 64.1029 | .PLATE, REAR CLAMP CROSSBAR MT. | 1 |
| 6 | 62.1449 | .FRAME, WEIGHT MID RIGHT. | 1 |
| 7 | 62.1448 | .FRAME, WEIGHT MID LEFT. | 1 |
| 8 | 42.0455 | .SHAFT, REAR ANCHOR MOUNT. | 1 |

OPTIONS

ILLUSTRATED DRAWING 70.4144 Rear Weight Bar Kit



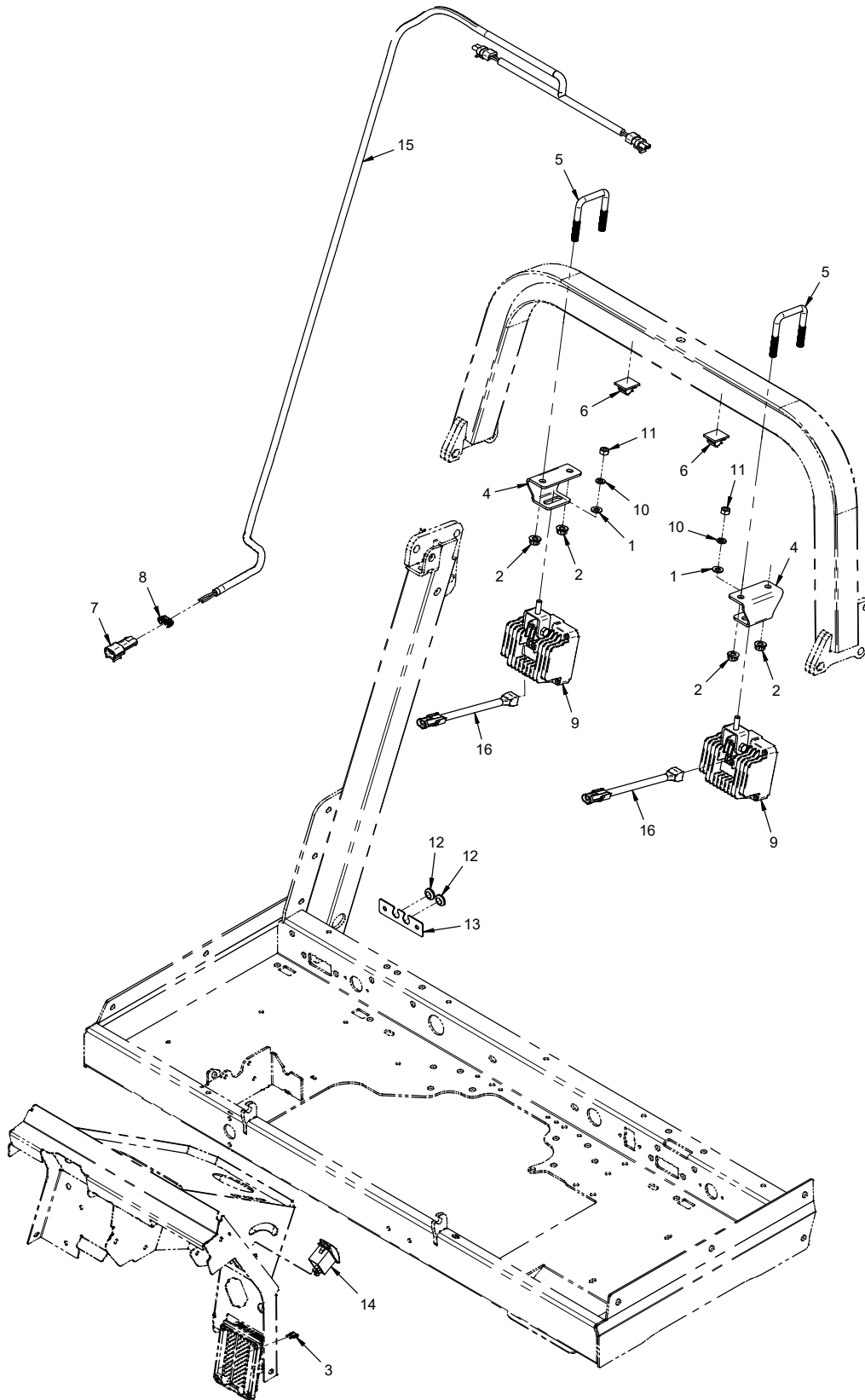
OPTIONS

70.4144 Rear Weight Bar Kit

| REF. | PART NO. | DESCRIPTION | QTY. |
|------|-----------|----------------------------------|------|
| 1 | 03.1024 | .CLEVIS PIN, 5/8 X 3 OAL. | 1 |
| 2 | 02.HP0420 | .HAIRPIN, 1/8 X 2 1/2. | 1 |
| 3 | 64.1912 | .PIN, WEIGHT SECURE 22.5" USABLE | 1 |
| 4 | 02.HP0313 | .HAIRPIN, 3/32 X 1-5/8 | 1 |
| 5 | 62.1454 | .FRAME, REAR WEIGHT BAR. | 1 |

OPTIONS

ILLUSTRATED DRAWING 70.4133 LED Work Light Kit



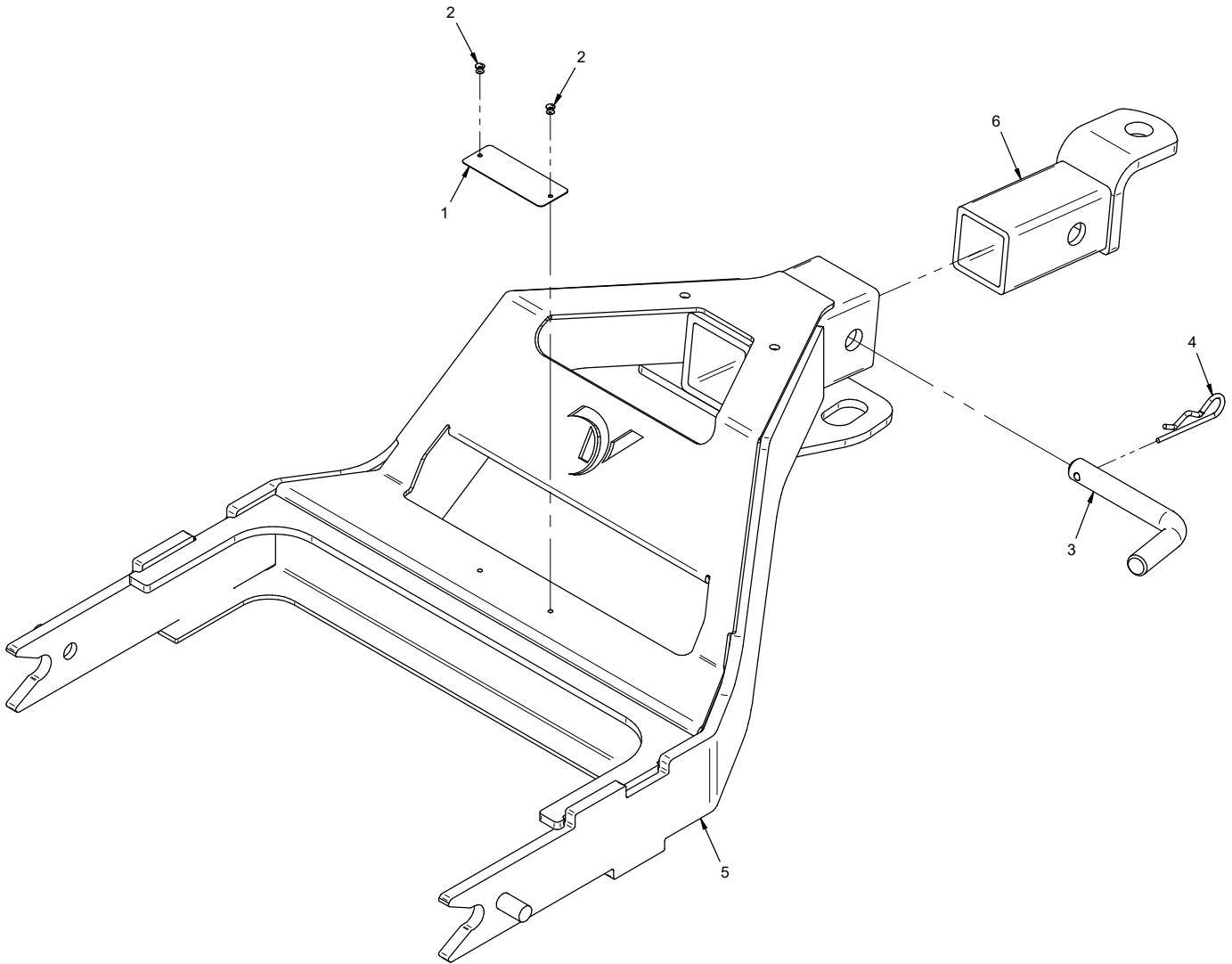
OPTIONS

70.4133 LED Work Light Kit

| REF. | PART NO. | DESCRIPTION | QTY. |
|------|----------|---------------------------------|------|
| 1 | 95.05 | .WASHER, FLAT 5/16 SAE | 2 |
| 2 | 99.E0082 | .NUT, LOCKING FLANGE 3/8-16 | 4 |
| 3 | 30.0334 | .FUSE, 15 AMP MINI BLUE | 1 |
| 4 | 64.1706 | .BRACKET, WORKLIGHT MOUNT KN | 2 |
| 5 | 11.0053 | .U-BOLT, 3/8-16 2-1/16 ID SQ. | 2 |
| 6 | 30.0217 | .CLAMP, WIRE MT ADH. 1/2 GRAY | 2 |
| 7 | 30.0322 | .CONNECTOR, MP280 2 POS MALE | 1 |
| 8 | 30.0326 | .CLIP, MP280 CONNECTOR 2 POS. | 1 |
| 9 | 33.0069 | .LIGHT, WORK 3 X 3 LED | 2 |
| 10 | 96.05 | .WASHER, LOCK 5/16 | 2 |
| 11 | 99.M0025 | .NUT, M8 X 1.25M | 2 |
| 12 | 05.0136 | .GROMMET, 7/16ID, 3/4OD, 1/4THK | 2 |
| 13 | 60.1175 | .COVER, OPT. LIGHT KIT ACCESS | 1 |
| 14 | 31.0053 | .SWITCH, ROCKER ON/OFF | 1 |
| 15 | 32.0116 | .HARNESS, WIRE WORK LIGHT. | 1 |
| 16 | 32.0162 | .HARNESS, WIRE 33.0069 WP | 2 |

OPTIONS

ILLUSTRATED DRAWING 70.2016 Trailer Mover Hitch



OPTIONS

70.2016 Trailer Mover Hitch

| REF. | PART NO. | DESCRIPTION | QTY. |
|------|-----------|---------------------------------|------|
| 1 | N/A | .PLATE, VENTRAC SERIAL NUMBER | 1 |
| 2 | 04.0007 | .RIVET, POP DOME 1/8 X 1/8 S.S. | 2 |
| 3 | 03.0014 | .PIN, HITCH 5/8" X 3" USABLE | 1 |
| 4 | 02.HP0420 | .HAIRPIN, 1/8 X 2 1/2 | 1 |
| 5 | 62.1461 | .FRAME, TOW HITCH | 1 |
| 6 | 62.0968 | .HITCH, REAR | 1 |