

Specifications



Length (without brackets)	12' 2"
Width	5' 6"
Height	8' 3"
Weight (without brackets)	2800lbs.
Blow Distance	up to 44"
Bale Capacity	1 x round / 1 x rectangular
Max. Bale Size (round)	5' dia.
Max. Bale Size (rectangular)	4x4x8ft

Minimum Handler requirements

Lift Capacity (min)	5733lbs
Oil Flow (min)	15 usgallon*
Oil Flow (max)	31 usgallon*
Oil Pressure (min)	2320 psi
Oil Pressure (max)	3915psi @ 176 °F**

* Oil flow at headstock

** The hydraulic system requires a single acting valve with an unrestricted return. Maximum return line pressure: 290psi.

The company's policy is one of continuous improvement and development, therefore specifications are subject to change without prior notice.

The Bluetooth® word mark and logos are registered trademarks owned by Bluetooth SIG, Inc. and any use of such marks by Teagle Machinery Ltd is under license. Other trademarks and trade names are those of their respective owners.



TELE080AD US

Please Note

Brackets available for Caterpillar, Claas Scorpion, JCB (Q fit & pin/cone), John Deere, Kramer, Manitou, Matbro, Merlo P26/27/30, New Holland - **Please contact us for availability of brackets not listed.**

Teagle Machinery cannot guarantee correct clearances and operating angles of brackets supplied by other manufacturers

Not included within the price: 3/4" free flow return pipe to Telehandler tank, installation cost of 20' power cable kit (supplied with machine), female & male 3/4" flat-face hydraulic fittings to suit your headstock.

Dealer

Distributor

North America Sales Manager

Andy Robson 252 292 0911

Toll Free: 1-855-383-2453 1-855-3TEAGLE

Teagle Machinery Ltd, PO Box 3347, Wilson, NC 27895, USA

salesna@teagle.co.uk www.teaglemachinery.com



Teagle Machinery Ltd, Blackwater, Truro, Cornwall, TR4 8HQ

tel: +44 (0)1872 560592 email: sales@teagle.co.uk web: www.teaglemachinery.com

Teagle

TELEHAWK

Straw Bedder

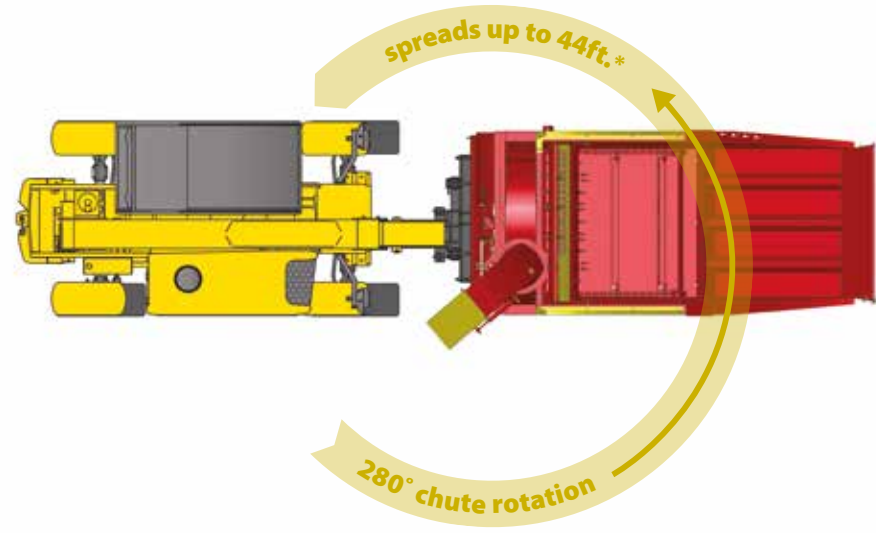


FORWARD **THINKING**

Teagle
we're right behind you

FLEXIBLE • HYDRAULIC • SPREADING

...delivers flexible spreading



Scan to watch the Telehawk in action.



FORWARDTHINKING

ACCESS ALL AREAS
Rotating 280° swivel chute can deliver straw to either side or in front of the machine.

ROUND OR RECTANGULAR BALES
Self loading operation, no tractor required.

SAVE STRAW
Bales are thoroughly teased apart.

EXCELLENT VISIBILITY
Front mounted for optimum visibility of the bedding operation.

LESS STRESS
Machine weight is close to the headstock.

IMPROVE ANIMAL COMFORT
Evenly spread straw up to 44ft.* in bedding areas.

*subject to telehandler oil flow.

“Using one of our handlers for bedding provides us with flexibility”

James Johns (pictured) farms a herd of 260 high performing Holsteins, as well as 180 acres of maize and 100 acres of cereals with his father Andrew, close to Newquay in England.

After years of bedding livestock by hand, when James saw the Telehawk in September 2013 he ‘pounced on it’.

“We have been able to reduce straw wastage by only putting as much straw in the pens as is required, and the straw that is delivered by the Telehawk is evenly spread which creates a bed that lasts longer - we have reduced the number of bales we use by around 25%-30%. Whilst we do save time compared to bedding by hand, the machine is paying for itself in straw savings alone.”

Great manoeuvrability

“The Telehawk can be hitched up in a matter of seconds, it is manoeuvrable around the buildings and because the machine is in front of the handler, visibility is good.”

“We are making the most of our investment in our new handler, and we did not need to buy a second tractor so there was less capital outlay.”



Features



1 Round and rectangular bales

Round bales:
Max. 5ft. dia.

Rectangular bales:
Max. 4ft x 4ft x 8ft.



2 A bed designed for comfort

Straw is gently bruised and spread. This ensures the bed has both the structure and absorbency to effectively support livestock and keep them clean.



3 Gently tease bales apart

Hook rippers fitted to the low-speed crossbeater work with the bed chain to ensure an even feed to the fan.



4 Intelligent control

Adjustable pressure sensing hydraulic system monitors crossbeater loading, and automatically stops or reverses the bed chain to optimise processing speed.



Bluetooth®

5 Wireless Control

Slimline control panel uses Bluetooth® wireless technology for straight-forward communication between the operator and the Telehawk.



7 Blockage free

The fan always has priority in the hydraulic circuit to ensure that the machine does not block.



6 Save time

Efficient hitching and unhitching.

Quick-hitch attachments are available for most popular telehandlers.



8 Reliability

Bed chain, crossbeater, fan and chute components are tried and tested with other models in the Tomahawk range.