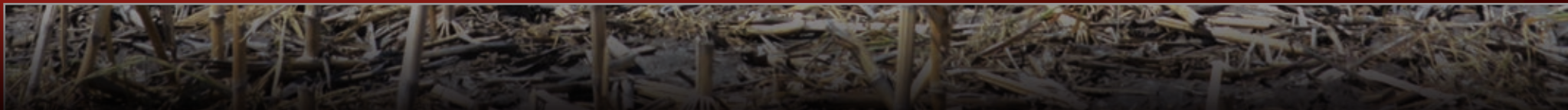




AERWAY TILLAGE

AWS - STRAIGHT FRAME MODELS
AWF - FOLDING FRAME MODELS
CLOSE COUPLED TANDEM



BENEFITS OF SOIL AERATION



Jim Pallister – Pallister Farm Ltd.

Portage La Prairie, Manitoba Cash Crop – 13,500 acres
Canola, Edible Beans, Wheat and Potatoes

“ We believe in putting air into the soil, not soil into the air. Last Fall we purchased a new series 30 ft. (CCT) Close Coupled Tandem AerWay. Our prairie ground is wide open and we are very concerned about erosion and protecting our land.

The AerWay has helped us address these concerns. We can till the soil yet leave most of the stalks standing. The machine is easily adjusted to vary the degree of conservation tillage by simply moving the AerWay swing arms to mix in the crop residue. This helps to protect soils from erosion and allows the ground to warm sooner in the spring. We use the machine on our wheat, bean and canola ground. We are very pleased with our machine as it has met our expectations.

I would recommend the AerWay to farmers looking to reduce their tillage input **”** costs while protecting their land.

Revitalize Your Soil With AerWay® Technology

Only patented AerWay® Shattertines lift and fracture tough soil to increase air and water movement. As the AerWay moves over the surface, the unique angles of the AerWay Shattertines crack and shatter compacted soil 8 in. and deeper to open new channels for air and water. Plants respond with stronger roots and better yields. Plus you'll see improved fertilizer utilization, reduced runoff, and greater soil moisture retention. See for yourself why thousands of cattlemen and hay producers agree - there's nothing else like AerWay.



Soil Basics

Three systems, physical, biological and chemical, work together to make soil productive. Soil scientists agree that the physical condition of soil is the key to efficient biological and chemical activity, which in turn determines how much plant life the soil can support.

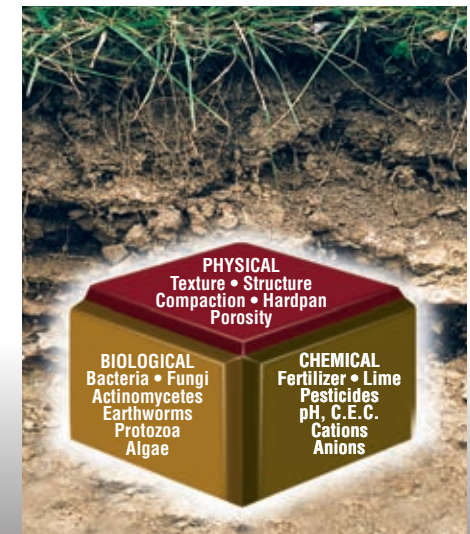
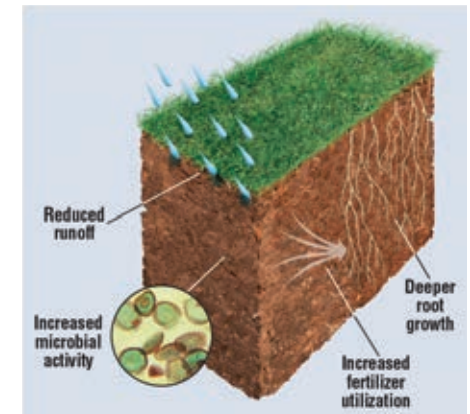
Soil Tilth: Why Compaction is the Farmer's #1 Enemy

Soil tilth is a measurement of the balance between basic soil elements: air, mineral, water, and organic matter. The proper balance of these elements increase soil production by allowing efficient interaction of all the soil systems. Air and water balance in the soil is the key to good root growth.

Compaction stresses plants because air and water are “squeezed” from the soil. Biological and chemical activities which depend on air and water become severely restricted. Root growth is impaired, crop production suffers.

Mechanical Aeration with AerWay is the Answer

Since soil compaction is a physical problem, the best solution is mechanical aeration. The ideal type of aeration treatment is fast, efficient, cost effective, and easy to perform – just what you get with patented AerWay® Shattertine aeration.



AERWAY® GOES TO THE HEART OF THE PROBLEM BY RELIEVING COMPACTION

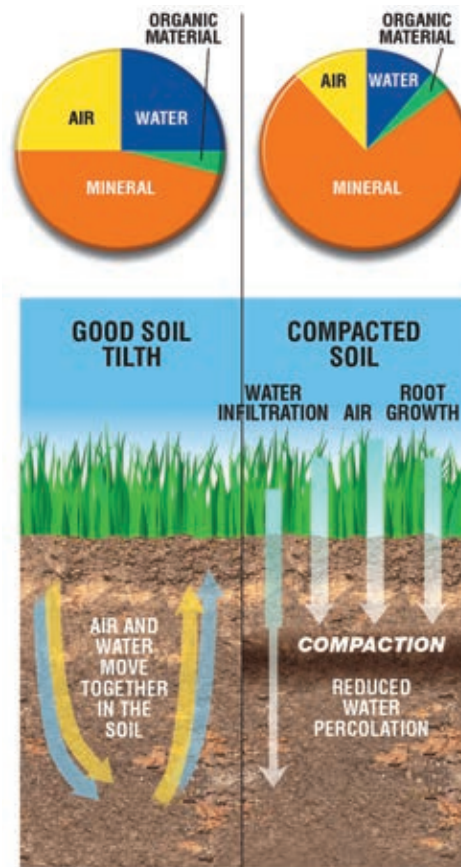
Air and Water Move Together

Correcting compaction makes a dramatic improvement in soil tilth. It is the most basic step you can take to improve crop production. That's because air and water move together in the soil profile. With proper air / water balance in the soil, all the biological and chemical systems work at peak efficiency.

Compaction makes both wet and dry soil conditions more severe. It reduces the water holding capacity of soil which makes drought conditions worse, and inhibits drainage to make wet conditions more troublesome.

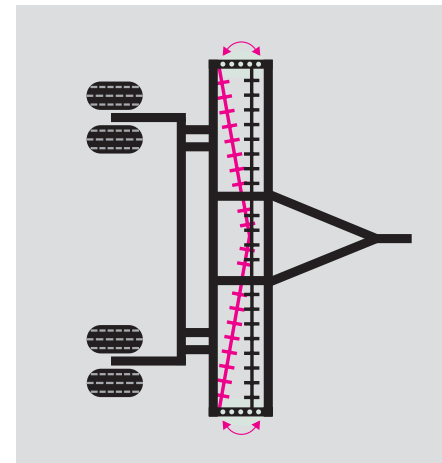
AerWay Tine Pattern Prevents Erosion

Unlike many other pasture aeration tools that have blades or shanks in a row the alternating position of the AerWay roller tines are arranged in an offset pattern. This unique tine arrangement ensures there is never a continuous furrow or groves in the soil that would channel water and cause erosion.



AerWay's® Quick Adjust Advantage

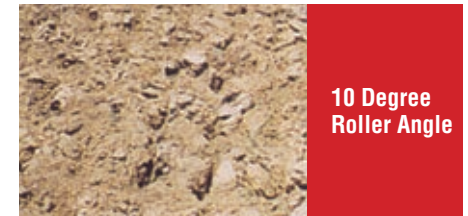
The patented AerWay® Quick Adjust rollers allow you to control the degree of aeration and renovation. For example the lesser swing angles are used for aeration and compaction relief and the more aggressive angle for renovation and overseeding.



0 Degree Roller Angle



5 Degree Roller Angle



10 Degree Roller Angle



AWS STRAIGHT FRAME

The AerWay AWS Straight Frame machine has been developed to satisfy the demands of farmers working smaller to moderate acreages. AerWays Quick Adjust swing arms allow the user to choose the degree of compaction relief, cultivation, aeration, and/or residue incorporation.

Frame – Four width configurations are available: 12.5 ft., 15 ft. and 20 ft.. The frame of the AerWay is a structural steel weldment with integral weight trays. The frame has Category III front brackets and integral rear brackets for the attachment of an optional AerWay Pull Type Wheel Kit. Additional Hard Points on the frame allow for a number of attachments to be readily attached to the AerWay.

Rollers – The heavy duty rollers use 4 tines per row at 7.5 in. tine spacing. Each roller shaft is mounted with two C-Flex Springs and supported by 50mm (2 in.) no lube trunnion mounted bearings. The rollers are equipped with either Shatter-tines or Leaf Tines. All units use Outboard Stars to give uniform tine spacing across the working width of the machine.

Quick Adjust – Swing arms can be adjusted in 2.5° degree increments, from 0° to 10°, to vary the degree of cultivation or 7.5° of offset.



AERWAY AWS SPECIFICATIONS AND OPTIONS



Quick Adjust Swing Arms



Optional Pull Type Wheel Kit

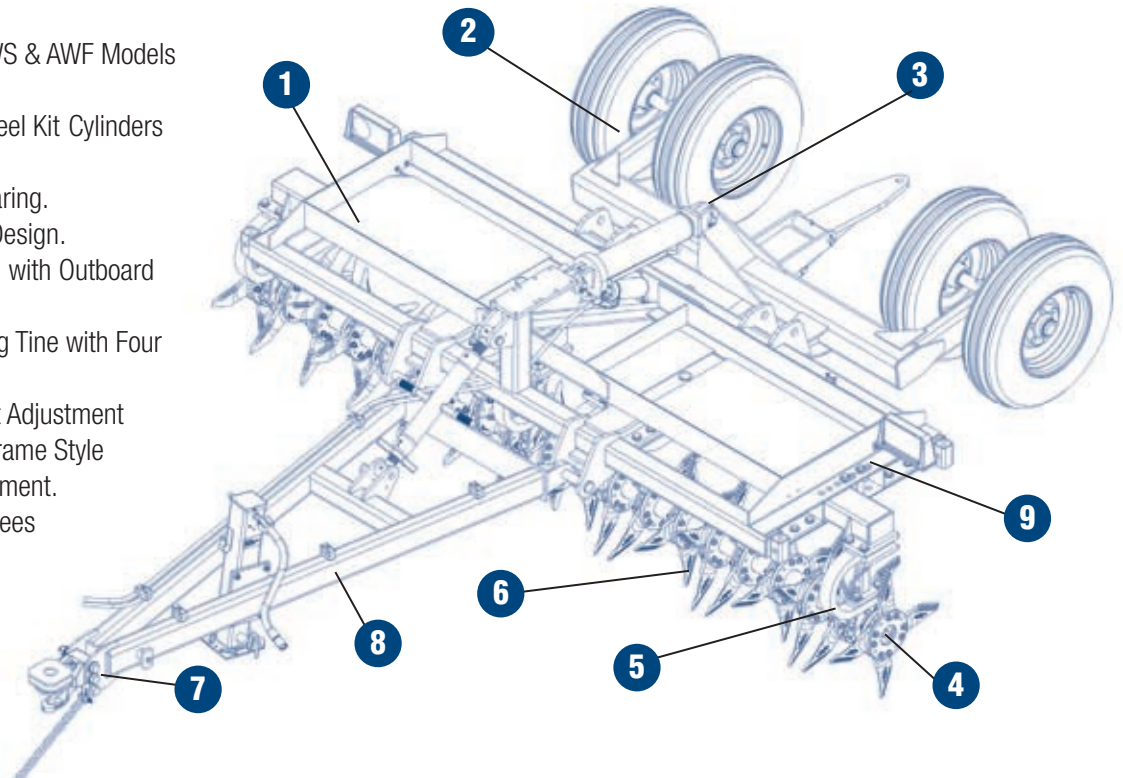


Heavy Duty Maintenance Free Trunnion Bearings



C-Flex Load Dampening System

1. Integrated Weight Trays
2. Optional Wheel Kits for AWS & AWF Models (call for more information)
3. Automatic Lock-up on Wheel Kit Cylinders for safety
4. 2 in. (50mm) Trunnion Bearing. Maintenance / Lube free Design.
5. C-Flex Obstacle Protection with Outboard Star Aerator Tines
6. 8.0 in. Agricultural Aerating Tine with Four Tines per Row
7. Drawbar Hitch Height Adjustment
8. Also Available in 3 Point Frame Style
9. Simple Roller Angle Adjustment. 0, 2.5, 5, 7.5 and 10 degrees



AWS Series Specifications (Straight Frame / Quick Adjust)

Model Number	Cultivation Width	Transport Width	# of Tines	Approx. Weight	H.P. Required* (per ft)
AWST125	12.5 ft.	12 ft. 2 in.	80	3000 lbs	75 - 125
AWST150 - 2 Rollers	15 ft.	14 ft. 8 in.	96	3400 lbs	90 - 150
AWST200	20 ft.	19 ft. 8 in.	128	4700 lbs	120 - 200

*Horsepower requirements vary by speed and operating depth.

AWF FOLDING FRAME



The AerWay AWF Folding Frame machine has been developed to satisfy the demands of farmers working moderate to larger acreages. AerWay's Quick Adjust swing arms allow the user to choose the degree of compaction relief, cultivation, aeration, and/or residue incorporation. The AWF models are available in a variety of sizes, ranging from 20 ft. to 40 ft.. The AWF200 units have a narrow transport width of 10 ft. 9 in. while the AWF300 units have a transport width of 15 ft. 9 in..

Frame – The AerWay is constructed of a heavy duty center frame and two wing frames. These frames are structural steel weldments with integral weight trays. The hydraulically folded unit is equipped with a weight transfer system that permits a constant down force across the width of the machine. This system also permits the wings to follow the contours of the

field. The frame has Category III front brackets and integral rear brackets for the attachment of an optional AerWay Pull Type Wheel Kit. Additional Hard Points on the frame allow for a number of attachments to be readily attached to the AerWay.

Rollers – The heavy duty rollers use 4 tines per row at 7.5 in. tine spacing. Each roller shaft is mounted with two C-Flex Springs and supported by 50mm (2 in.) no lube trunnion mounted bearings. The rollers are equipped with either Shatter-tines or Leaf Tines. All units use Outboard Stars to give uniform tine spacing across the working width of the machine

Cultivation – Swing arms can be adjusted in 2.5° degree increments, from 0° to 10°, to vary the degree of cultivation or aeration.

AERWAY AWF SPECIFICATIONS AND OPTIONS



Quick Adjust Swing Arms



Wing Down Pressure Valve

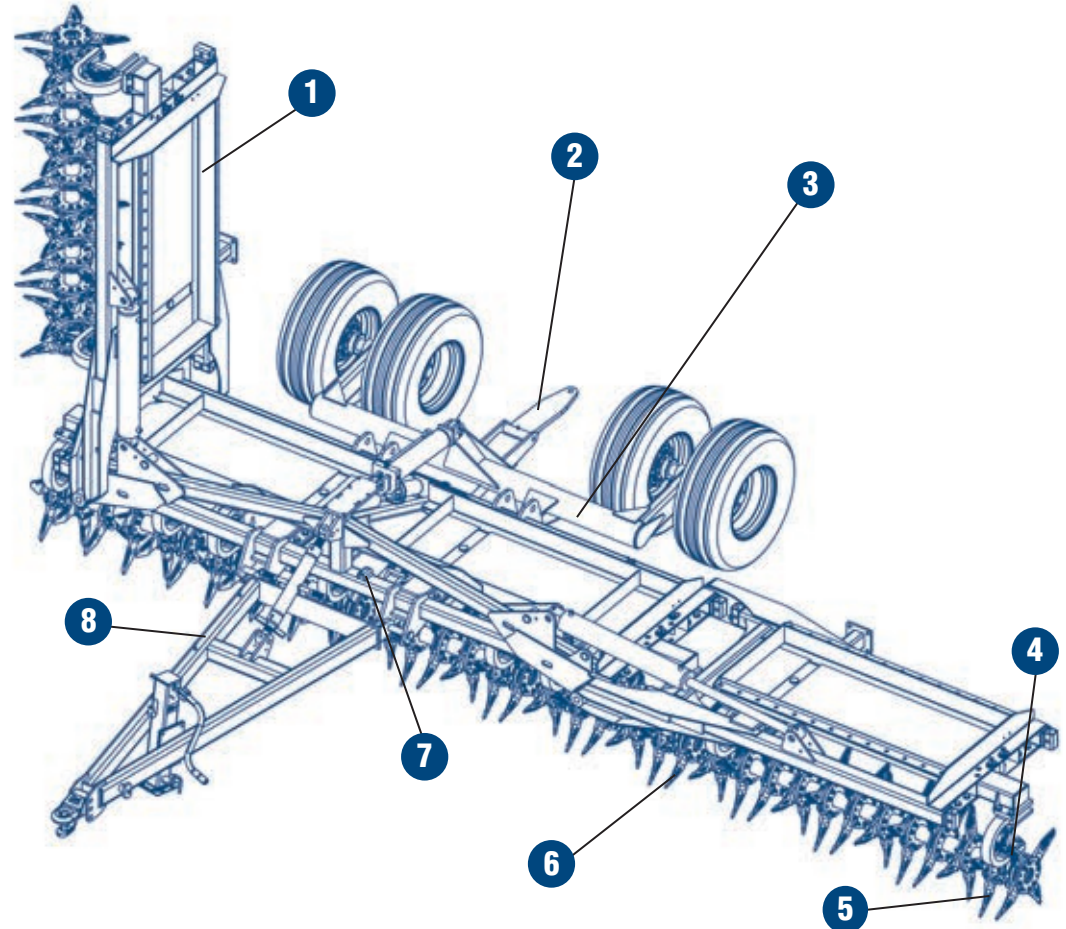


Heavy Duty Maintenance Free Trunnion Bearings



C-Flex Load Dampening System

1. Folding Frame Units available in 20 ft. to 40 ft. widths
2. Self Levelling Rear Hitch
3. Frame Hard points allow secondary attachments eg: Tool Bar
4. No-Lube Trunnion Bearing
5. Outboard Star® provides uniform tillage across width of machine
6. Shattertines® are standard equipment or Optional Leaf Tines are available
7. Wing Down Pressure Valve
8. Available in Standard 3 Point or with Pull Type Wheel Kits



AWF Series Specifications (Folding Frame / Quick Adjust)					
Model Number	Cultivation Width	Transport Width	# of Tines	Approx. Weight	H.P. Required* (per ft)
AWFT200	20 ft.	10 ft. 9 in.	128	6100 lbs	120-200
AWFT25N**	25 ft.	10 ft. 9 in.	160	7000 lbs	150-250
AWFS300**	30 ft.	15 ft. 9 in.	192	8200 lbs	180-300
AWFT400	40 ft.	20 ft.	256	20,000 lbs	240-400

* Horsepower requirements vary by speed and operating depth. ** Available with optional short roller wings.

AWS-CCT STRAIGHT FRAME

AerWay's AWS Straight frame machine with the revolutionary new Close Coupled Tandem (CCT) overlapping tined rollers provides an increased number of pockets and fractures per acre. The lead roller loosens the soil profile while the trailing roller incorporates and mixes the residue for a superior field finish. The AWS-CCT machine has been developed to satisfy the demands of farmers working smaller to moderate acreages. AerWay's Quick Adjust swing arms allow the user to choose the degree of compaction relief, cultivation, aeration, and/or residue incorporation.

Frame – Four width configurations are available: 12.5 ft., 15 ft. and 20 ft.. The frame of the AerWay is a structural steel weldment with integral weight trays. The frame has Category III front brackets and integral rear brackets for the attachment of an optional AerWay Pull Type Wheel Kit. Additional Hard Points

on the frame allow for a number of attachments to be readily attached to the AerWay.

Rollers – The heavy duty rollers use 3 tines per row and are available with 7.5 in. (3.75 in. effective) tine spacing. Each leading roller shaft is mounted with two C-Flex Springs, while the trailing roller shafts are rigidly mounted. The rollers are supported by 50mm (2 in.) trunnion mounted no lube bearings and are equipped with either Shattertines or Leaf Tines. All units use Outboard Stars to give uniform tine spacing across the working width of the machine.

Quick Adjust – Swing arms can be adjusted in 2.5° degree increments, from 2.5° to 7.5°, to vary the degree of cultivation or aeration.

AERWAY AWF SPECIFICATIONS AND OPTIONS



Quick Adjust Swing Arms



Optional Pull Type Wheel Kit

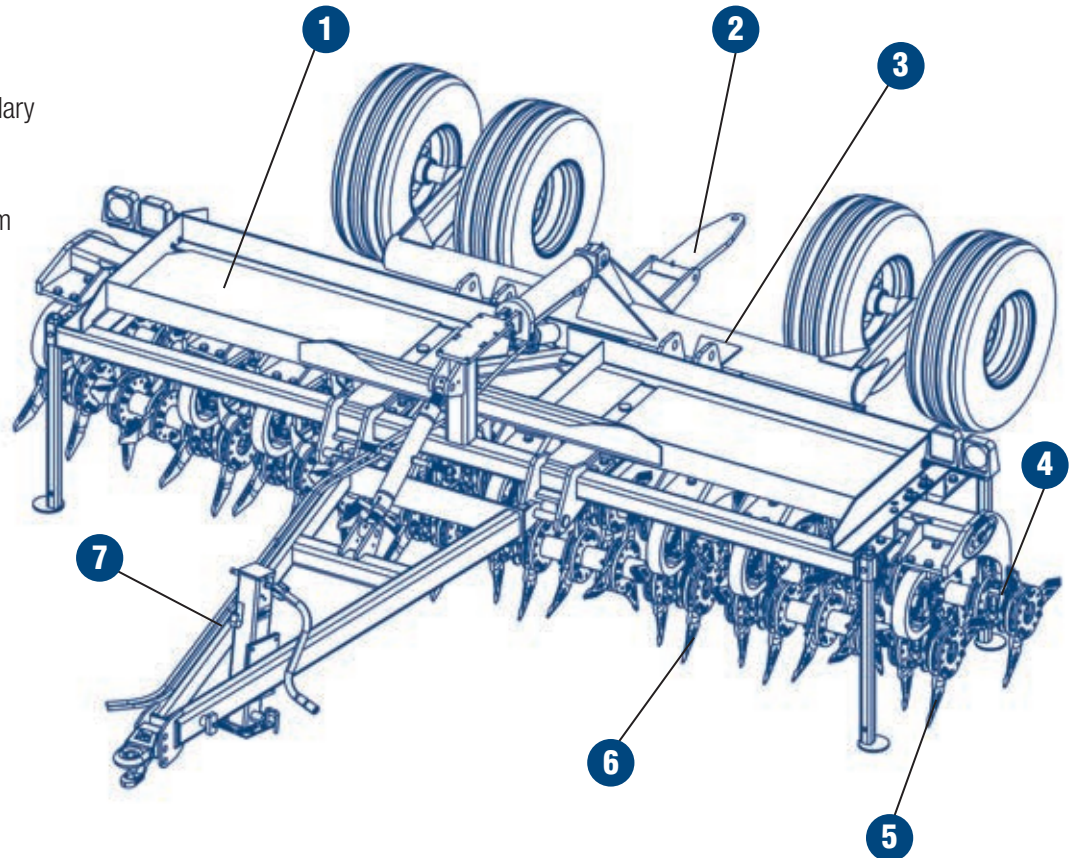


Heavy Duty Maintenance Free Trunnion Bearings



C-Flex Load Dampening System

1. Straight Frame Units available in 10 ft. to 20 ft. widths
2. Self Levelling Rear Hitch
3. Frame Hard points allow secondary attachments eg: Tool Bar
4. No-Lube Trunnion Bearing
5. Outboard Star® provides uniform tillage across width of machine
6. Shattertines® are standard equipment or Optional Leaf Tines are available
7. Available in Standard 3 Point or with Pull Type Wheel Kits



AWS-CCT Series Specifications (Straight Frame)					
Model Number	Cultivation Width	Transport Width	# of Tines	Approx. Weight	H.P. Required* (per ft)
AWST125-CCT	12.5 ft.	12.5 ft.	120	4300 lbs	115-190
AWST150-CCT	15 ft.	15 ft.	144	5000 lbs	135-225
AWST200-CCT	20 ft.	20 ft.	192	6900 lbs	180-300
AWFT400	40 ft.	20 ft.	256	20,000 lbs	240-400

* Horsepower requirements vary by speed and operating depth. CCT AerWay® – 3.75 in. effective tine spacing

AWF-CCT FOLDING FRAME

AerWay's revolutionary new Close Coupled Tandem (CCT) machine uses two overlapping tined rollers mounted to patented AerWay Quick Adjust swing arms (pivot range between 2.5° – 7.5°) for more effective tillage and residue management choices. The Tandem's unique two roller system work together to fracture the soil and mulch the crop residue. The lead roller loosens the soil profile while the second trailing roller incorporates and mixes the residue for a better field finish. AerWay's unique design feature gives farmers the convenience to choose the degree of compaction relief, aeration and/or residue incorporation. The Folding CCT models are available in a variety of sizes ranging from 20 ft. to 40 ft. The 20 ft. and 25 ft. (N) units are available with a "Narrow" 10 ft.- 9 in. transport width. The 30 ft. (W) unit transport width is 15 ft.- 9 in..

Frame – The heavy duty tubular frame construction consists of a center frame and two wing frames. The wings are folded

hydraulically and the unit is equipped with a hydraulic weight transfer system to allow weight transfer from the center frame to the wings. Additional weight brackets with tie downs are provided to allow external ballast to be added to handle even the toughest compaction. The frame has Category III front brackets and integral rear brackets for the attachment of an AerWay Pull Type Wheel Kit.

Rollers – The rollers use 3 tines per row and are available with 7-1/2 inch tine spacing. Each roller shaft is supported by two 50 mm (2 in.) bearings with the lead AG Shattertine® roller mounted on C-Springs and the trailing rigid/mounted rollers are available as either AG Shattertine or Leaf tine. All Units use outboard stars to give uniform tine spacing across the width of the machine.

Cultivation – Swing arms can be adjusted from 2.5° to 7.5° in 2.5° increments to vary the degree of cultivation or aeration.



AERWAY AWF SPECIFICATIONS AND OPTIONS



Quick Adjust Swing Arms



Wing Down Pressure Valve

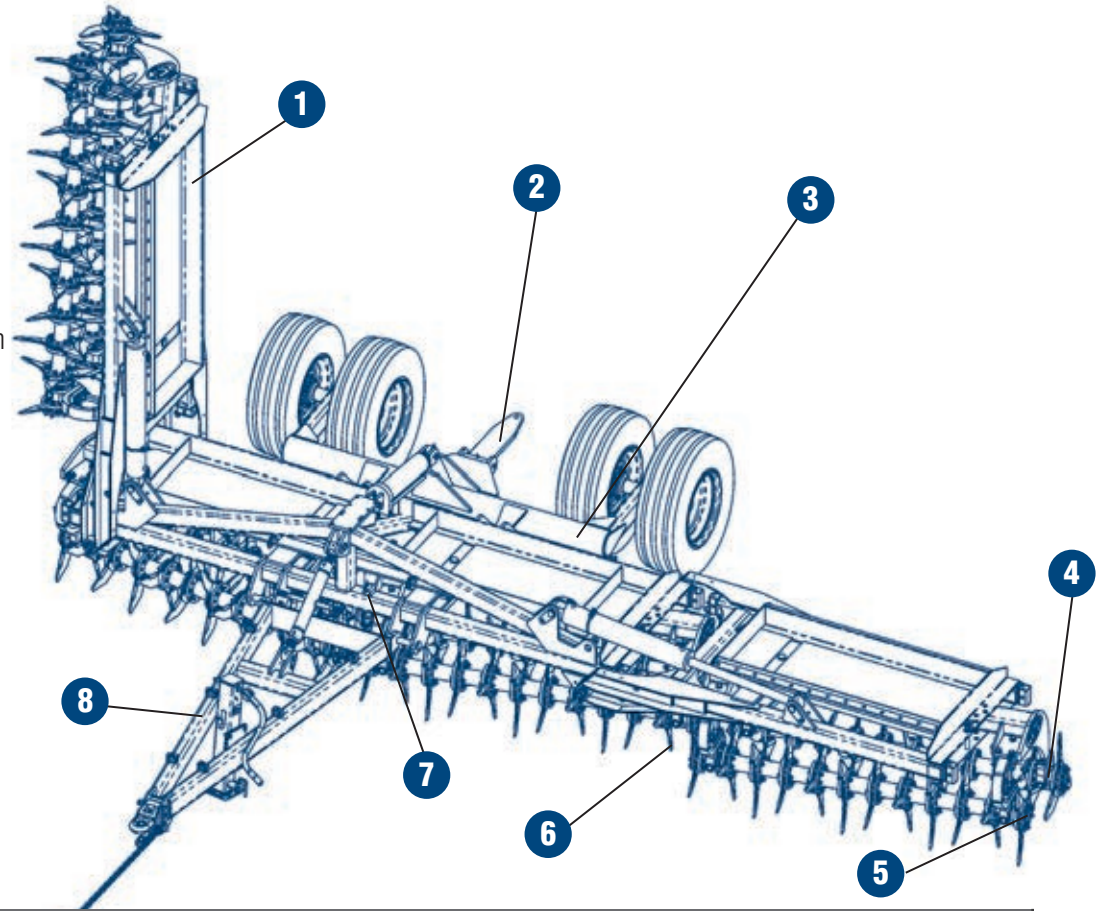


Heavy Duty Maintenance Free Trunnion Bearings



C-Flex Load Dampening System

1. Frame Units available in 20 ft. to 40 ft. widths
2. Self Levelling Rear Hitch
3. Frame Hard points allow secondary attachments eg: Tool Bar
4. No-Lube Trunnion Bearing
5. Outboard Star® provides uniform tillage across width of machine
6. Shattertines® are standard equipment or Optional Leaf Tines are available
7. Wing Down Pressure Valve
8. Available in Standard 3 Point or with Pull Type Wheel Kits



AWF-CCT Series (Folding Frame / Quick Adjust)

Model Number	Cultivation Width	Transport Width	# of Tines	Approx. Weight	H.P. Required* (per ft)
AWFT200-CCT	20 ft.	10 ft. 9 in.	192	8400 lbs	180-300
AWFT25N-CCT**	25 ft.	10 ft. 9 in.	240	9700 lbs	225-375
AWFS300-CCT**	30 ft.	15 ft. 9 in.	288	11,500 lbs	270-450
AWFT400-CCT	40 ft.	20 ft.	384	24,610 lbs.	320-500

* Horsepower requirements vary by speed and operating depth.

CCT AerWay® – 3.75 in. effective tine spacing

** Available with optional short roller wings.

STANDARD FEATURES



C-Flex Obstacle Protection

C-Flex springs are standard on all AWST and AWFT AerWay machines. This feature is designed to help protect the tined rollers from impact and shock loads encountered in stony ground conditions. Other protective features include a Travel Protection Bumper and Lanyard Chain.



AerWay Shattertines

The unique angles and offsets of the Shattertine® crack and shatter the compacted soil 8 in. and deeper. The results are improved soil air/water balance, increased microbial activity, and better fertilizer usage.



Quick Adjust Swing Arms

AerWay quick adjust swing arms allow producers to vary the tillage intensity of the machine. The AerWay can be set at a very shallow angle for light tillage in early spring seedbed preparation. More aggressive angles can be used for greater disturbance in fall tillage operations.



Wing Down Pressure

The Wing Down Pressure Valve is standard on all Folding Wing Models. The down force valve is pre-set at the factory but can easily be adjusted in the field to suit varying ground conditions allowing the operator to transfer weight from the center frame to the wings. The need for additional weight will vary with ground conditions.



Heavy Duty Trunnion Bearings

The Trunnion mount, large capacity 50 mm (2 in.) bearing is standard on all AWS and AWF machines including the CCT models. The NO LUBE bearings are protected by a wear guard and are designed for severe service applications. The bearings have a robust 6 lip seal and washers to protect from heavy debris. This self-aligning bearing provides greater radial and axial load capacities.



Lighting Kits

Includes two lights and two universal mounting brackets and harnesses. Users are solely responsible for identifying and satisfying the requirements of the local Highway Traffic Act. Lighting kits are optional on AWS and AWS-CCT machines but they are a standard feature on AWF and AWF-CCT folding models.



Pull Type Wheel Kits

Pull Type Wheel Kits are designed to convert the machinery into a "Trail" unit with tires rearward. This eliminates the stress on your 3 point lift arms by transferring the weight to the drawbar to pull other implements or finishing tools. A level lift hitch drawbar is standard to pull other implements or finishing tools.



Rear Hitch

All AerWay wheel kits come standard with a rear draw bar hitch as an attachment point for harrows or other implements. The draw bar has a level ride feature that will support the vertical loads of implements and maintain its position relative to the ground whether the unit is in the ground or raised. Wheel kits are a standard feature on AWS and AWF models.



Scraper Systems for Rollers

Gang scraper systems are available for units working in challenging or high residue conditions. Ask your Dealer if this option is recommended to your application.



Ballast Blocks

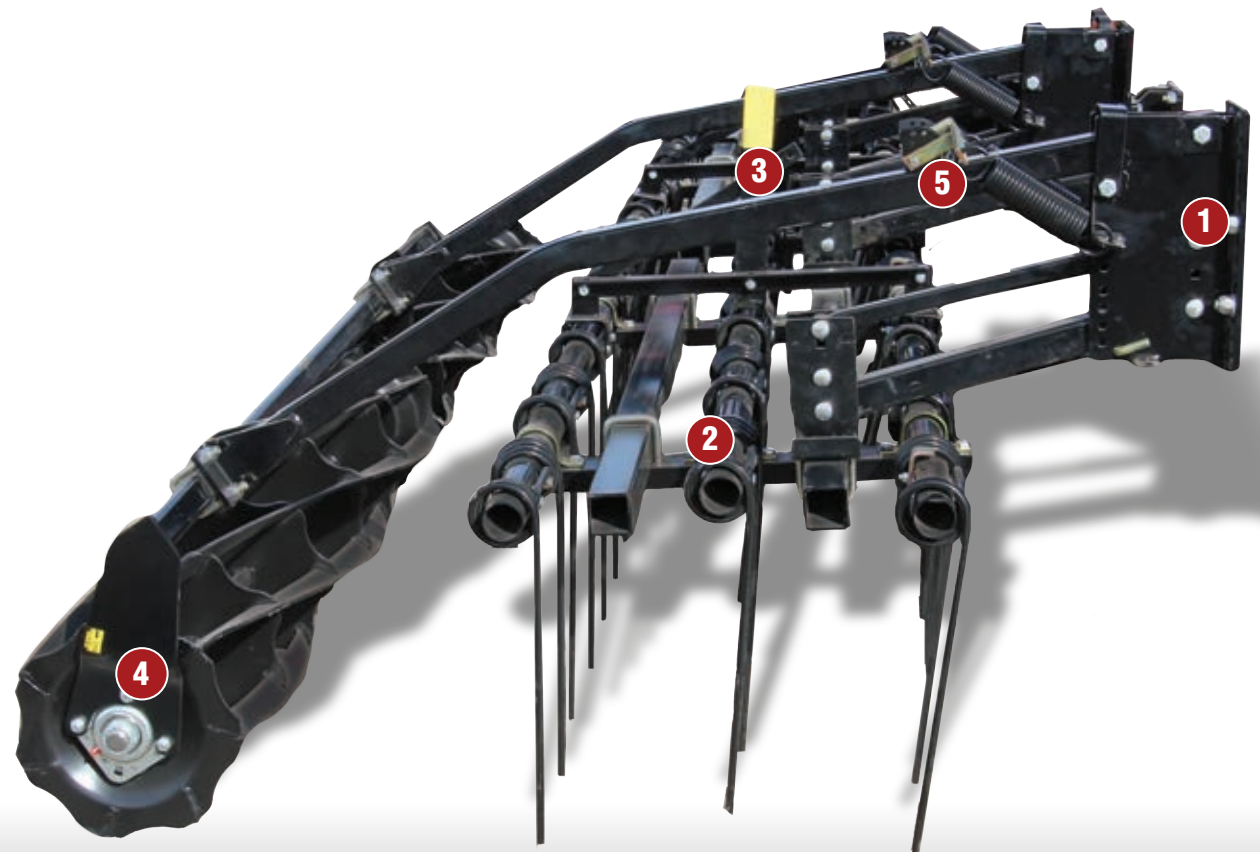
For hard compacted ground conditions ballast blocks are available in 550 and 750 lb weights. All Wing Machines come equipped with weight hold down straps. See your Dealer for ballast recommendations.

UNIVERSAL MOUNT FINISHING OPTIONS

Harrow System Overview

Salford's flexible harrow systems enhance the operation of your AerWay tillage equipment by adding additional leveling power and enhancing seed bed preparation by loosening the soil and the seed zone and reducing overall soil clod size to improve seed to soil contact. There are several types of Salford harrow systems that fit Salford's AerWay Advanced Aeration products.

- 1** Salford harrow heads allow for multiple height settings of the overall harrow kit to match the clearance of the machine. The heads can mount directly to most frame sizes if extensions are not required. The harrow head also has five depth settings for the tine harrows.
- 2** Salford tine harrows are mounted on a parallel linkage for maximum down pressure as well as flotation. Multiple pitch settings allow for maximum leveling performance and residue flow.
- 3** Salford tine harrows feature five pitch settings for increased leveling performance, or more shallow angles for less aggressive operation and increased residue flow.
- 4** Salford rolling harrows are available in 11 in. or 14 in. diameter to provide optimal operation at different speeds. 14 in. rolling harrows will also provide improved clod resizing and obstacle protection.
- 5** Salford rolling harrows have 5 individual down pressure settings and adjust quickly and easily with a quick adjustment tool provided with your harrow kit.





3 bar 1/2 in. tines

Coil Tine Harrows

- Exceptional leveling with maximum residue flow
- 5 pitch settings for quick customization
- Most often on a 3-row configuration
- Offered in 1/2 in. x 20 in. bars, or 3/8 in. x 16 in. bars



Double 14 in. rolling harrow

Double Rolling Harrows

- 1 1/2 in. - 2 in. deep penetration
- High carbon steel for maximum durability. Reinforcements prevent rocks from entering the roller
- 11 in. rollers excel in finer operations behind slower equipment. 14 in. rollers stand up to higher speeds and rocky conditions
- Offered in 1/2 in. x 20 in. bars, or 3/8 in. x 16 in. bars



1/2 in. x 20 in. steel tines for long wear and high clearance.

Coil Tine & Rolling Harrow Combination

- 3 Bar 1/2 in. x 20 in. Tine & 14 in. Roller
- Tines are mounted on a 3 in. HD channel for maximum durability
- Quick adjust spring tensioners to set tine pressure



Harrow Bar Mounting System

Harrow Bars

The AerWay AWST and AWFT frames are designed with hard points to allow easy installation of the AerWay Tool Bar. The extended Tool Bar provides clearance over the tires and for easy addition of the finishing tools.

Harrow Type	Approx. lbs/ft	Visual
3 Bar of Heavy Duty 1/2 in. x 20 in. coil tine	65	
3 Bar of Heavy Duty 1/2 in. x 20 in. coil tine, sing HD 14 in. roller	106	
Double HD 14 in. roller	101	

SALFORD

INDEPENDENT SERIES

I-1100
I-1200
I-2100
I-2200
I-4100
I-4200

AERWAY

HAY &
PASTURE
TILLAGE
ORCHARD/
VINEYARD
TURF

TILLAGE

5200
ENFORCER
9200 IN-LINE
RIPPER
MOLDBOARD
PLOWS
CULTIVATORS
UNIVERSAL
HARROWS

BBI SPREADERS

MAGNASPREAD
PULL-TYPE
MAGNASPREAD
CHASSIS MOUNT
ENDURANCE
LIBERTY
GRASSHOPPER
CRICKET
TROOPER

VALMAR APPLICATORS

55/56 SERIES
FERTI-Go
1255 PULL-TYPE
245/246 PULL-TYPE
6700 CHASSIS
MOUNT
5500 PULL-TYPE
8600 PULL-TYPE
8700 PULL-TYPE
9620 PULL-TYPE

VALMAR APPLICATORS

455 FORAGE
PRESERVATIVE
APPLICATOR
ST-4, ST-6, ST-10
PATHFINDER CART

SEEDING

525 AIR DRILLS
AIR CARTS

Canada - Salford, Ontario • Elie, Manitoba
USA - Osceola, Iowa • Cornelia, Georgia

Phone: 519-485-1293
Toll Free: 1-866-442-1293

Email: sales@salfordgroup.com

www.salfordgroup.com

