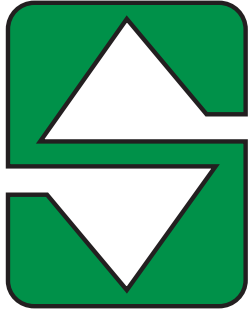


REAR COULTER GANG



# SUMMERS®

## Operator's Manual

# REAR COULTER GANG

REAR COULTER GANG

### IMPORTANT

THE OPERATOR IS RESPONSIBLE FOR ADJUSTING THE MACHINE SINCE MACHINE DOES NOT COME "FIELD READY" FROM FACTORY.



### CAUTION

READ & UNDERSTAND OPERATOR'S MANUAL BEFORE USING MACHINE.

*See [www.summersmfg.com](http://www.summersmfg.com) for the latest version of all Summers Operator's Manuals.*

**SUMMERS MANUFACTURING CO., INC.**

**WEB SITE: [www.summersmfg.com](http://www.summersmfg.com)**

MADDOCK, NORTH DAKOTA 58348 ..... (701) 438-2855

DEVILS LAKE, NORTH DAKOTA 58301 ..... (701) 662-5391

# Warranty

Summers warrants only products of its manufacture against operational failure caused by defective materials or workmanship which occur during normal use within 36 months from the date of purchase by the end user from Summers' dealer.

Summers' obligation is to replace free of charge any part of any product that Summers inspection shows to be defective excluding transportation charges to Devils Lake, ND and return and also excluding all transportation costs from Summers' dealer to the dealer's customer and all other costs such as removal and installation expense.

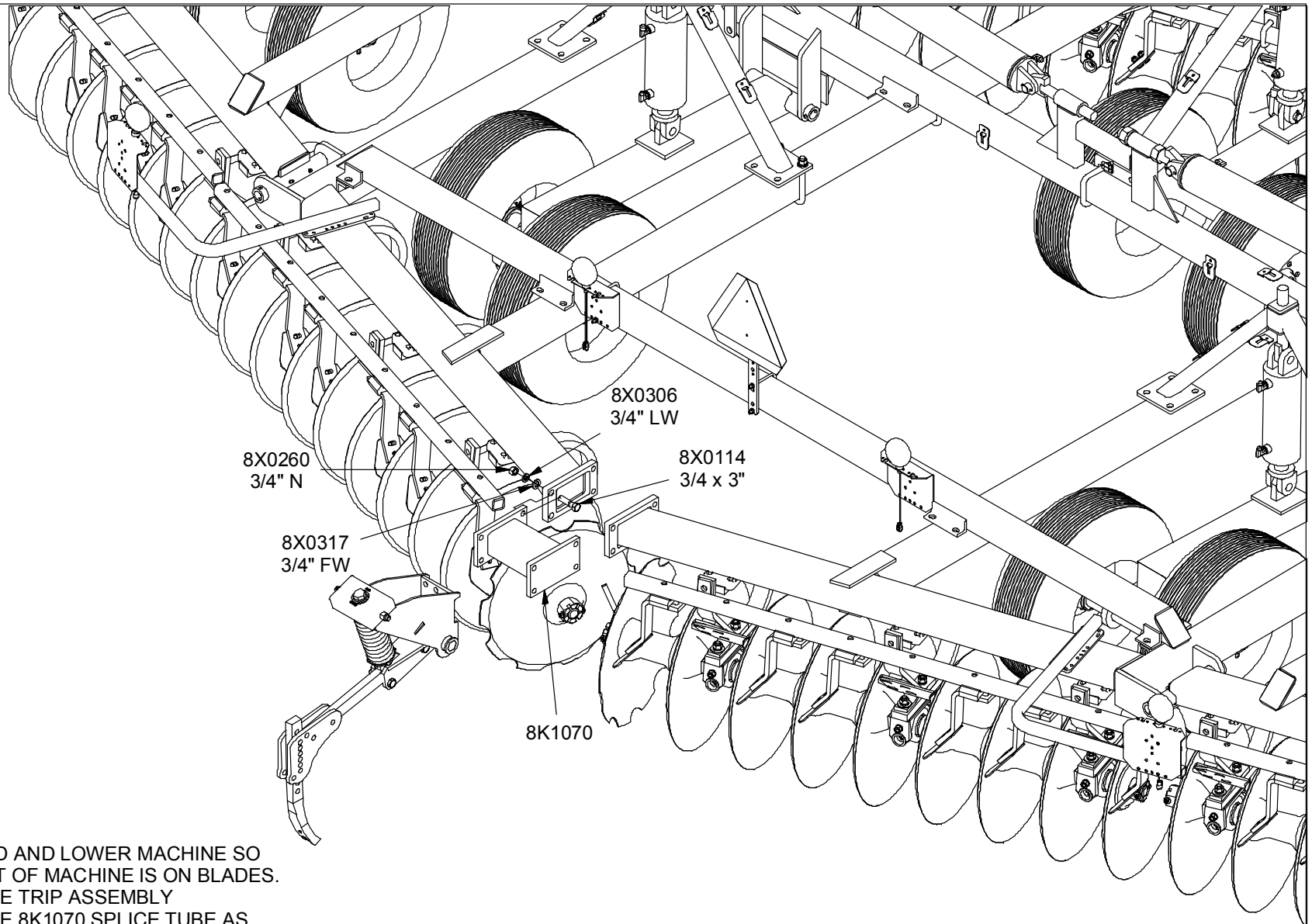
Summers shall not be liable for loss of time, manufacturing costs, labor, material, loss of profits, consequential damages, direct or indirect, because of defective products whether due to rights arising under the contract of sale or independently thereof, and whether or not such claim is based on contract, tort or warranty.

Written permission for any warranty claim return must be first obtained from authorized Summers' personnel. All returns must be accompanied with a complete written explanation of claimed defects and the circumstances of operational failure.

Written warranty for all component parts used in the manufacture of Summers products is available upon request. Warranty of such component parts will be determined by said component manufacturer upon their inspection of the claimed defective part.

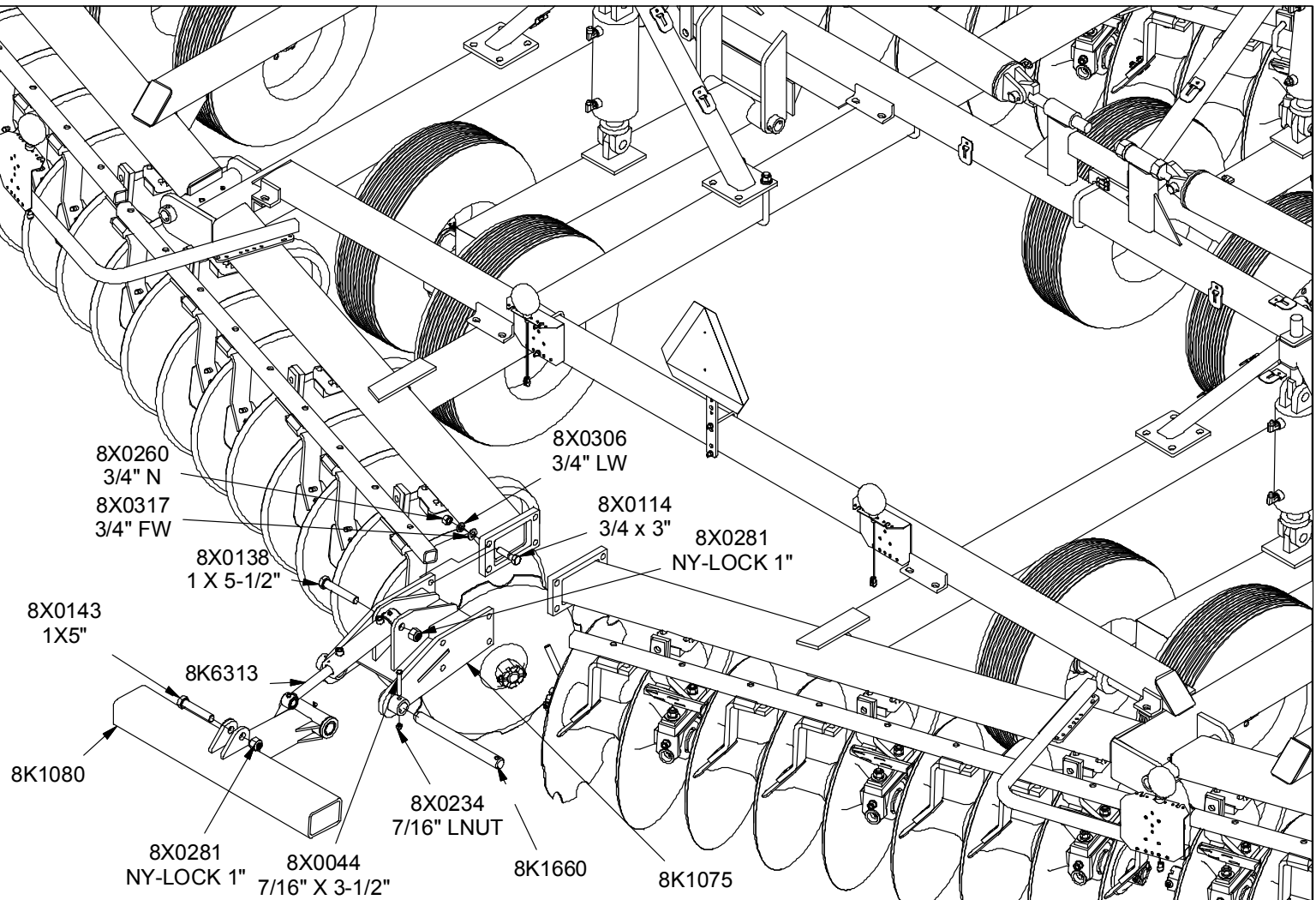
This express warranty is the sole warranty of Summers. There are no warranties, which extend beyond the warranty herein expressly set forth. The sales for products of Summers under any other warranty or guarantee express or implied is not authorized. This warranty voids all previous issues.

**SUMMERS MANUFACTURING CO. INC.**  
**DEVILS LAKE, NORTH DAKOTA 58301**



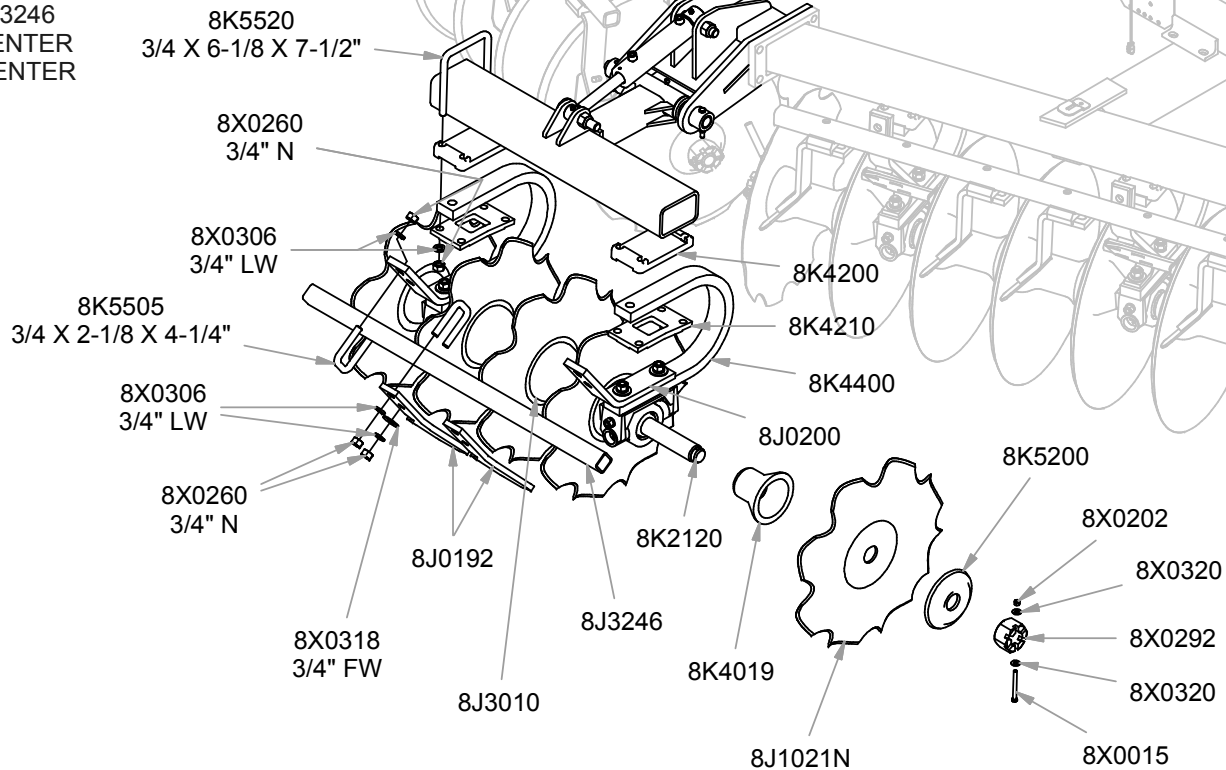
1

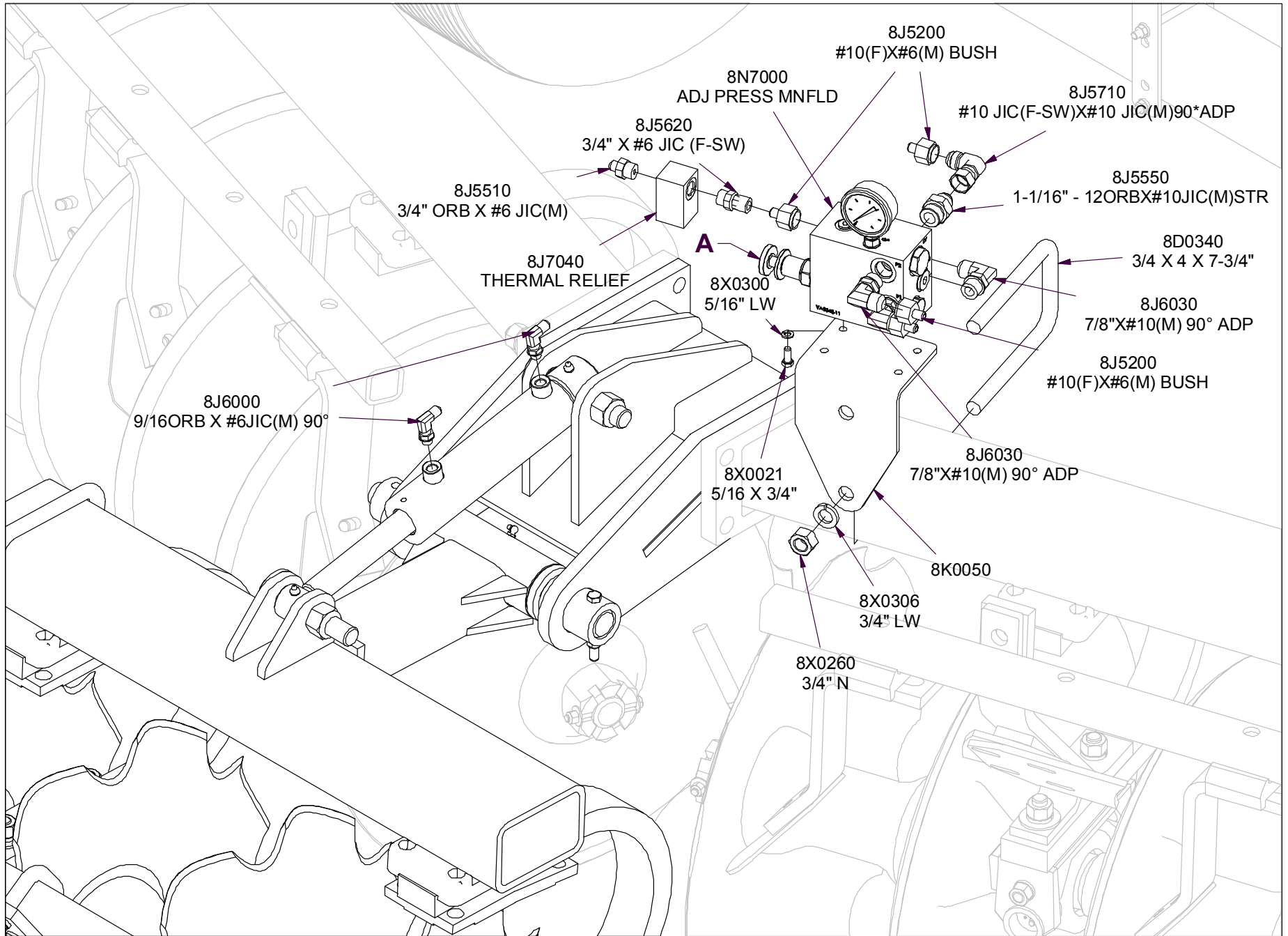
1. UNFOLD AND LOWER MACHINE SO WEIGHT OF MACHINE IS ON BLADES.
2. REMOVE TRIP ASSEMBLY
3. REMOVE 8K1070 SPLICE TUBE AS SHOWN. TO PREVENT FRAMES FROM PULLING TOGETHER, INSERT 8K1075 (SHOWN ON NEXT PAGE) PRIOR TO COMPLETELY REMOVING 8K1070. KEEP 3/4" BOLTS, WASHERS, AND NUTS, THESE WILL BE RE-USED.



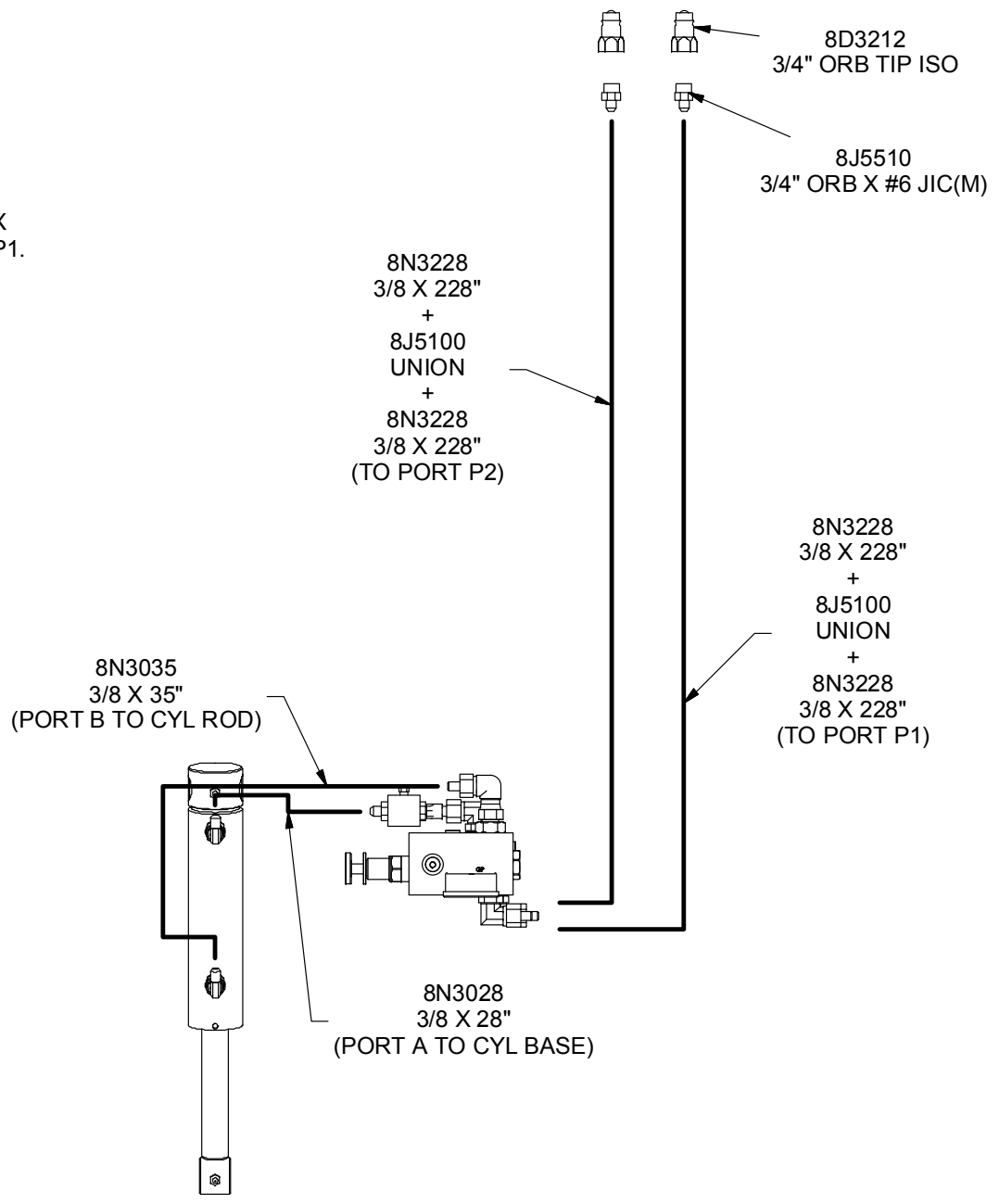
1. INSTALL 8K1075 SPLICE TUBE WITH HARDWARE AS SHOWN, AND TIGHTEN.
2. INSTALL 8K1080 GANG MOUNT TUBE WITH 8K1660 PIN. RETAIN WITH 8X0044 BOLT AND 8X0234 NUT.
3. INSTALL 8K6313 CYLINDER AS SHOWN WITH 8X0138 BOLT AT BASE END OF CYLINDER, AND 8X0143 BOLT AT ROD END. INSTALL 8X0281 NUTS AND TIGHTEN. **DO NOT OVERTIGHTEN.** CYLINDER MUST BE FREE TO ROTATE.

1. INSTALL 8J2352NW GANG AS SHOWN. LEAVE 8K5520 U-BOLTS LOOSE TO ALLOW CENTERING OF THE GANG. ONCE GANG HAS BEEN CENTERED ON MACHINE, TIGHTEN U-BOLTS.
2. INSTALL 8J3246 SCRAPER MOUNT TUBE, AS SHOWN. CENTER TUBE ON GANG.
3. INSTALL (2) 8J0192 SCRAPERS ON 8J3246 MOUNT TUBE. CENTER SCRAPERS ON CENTER 2 SPOOLS.



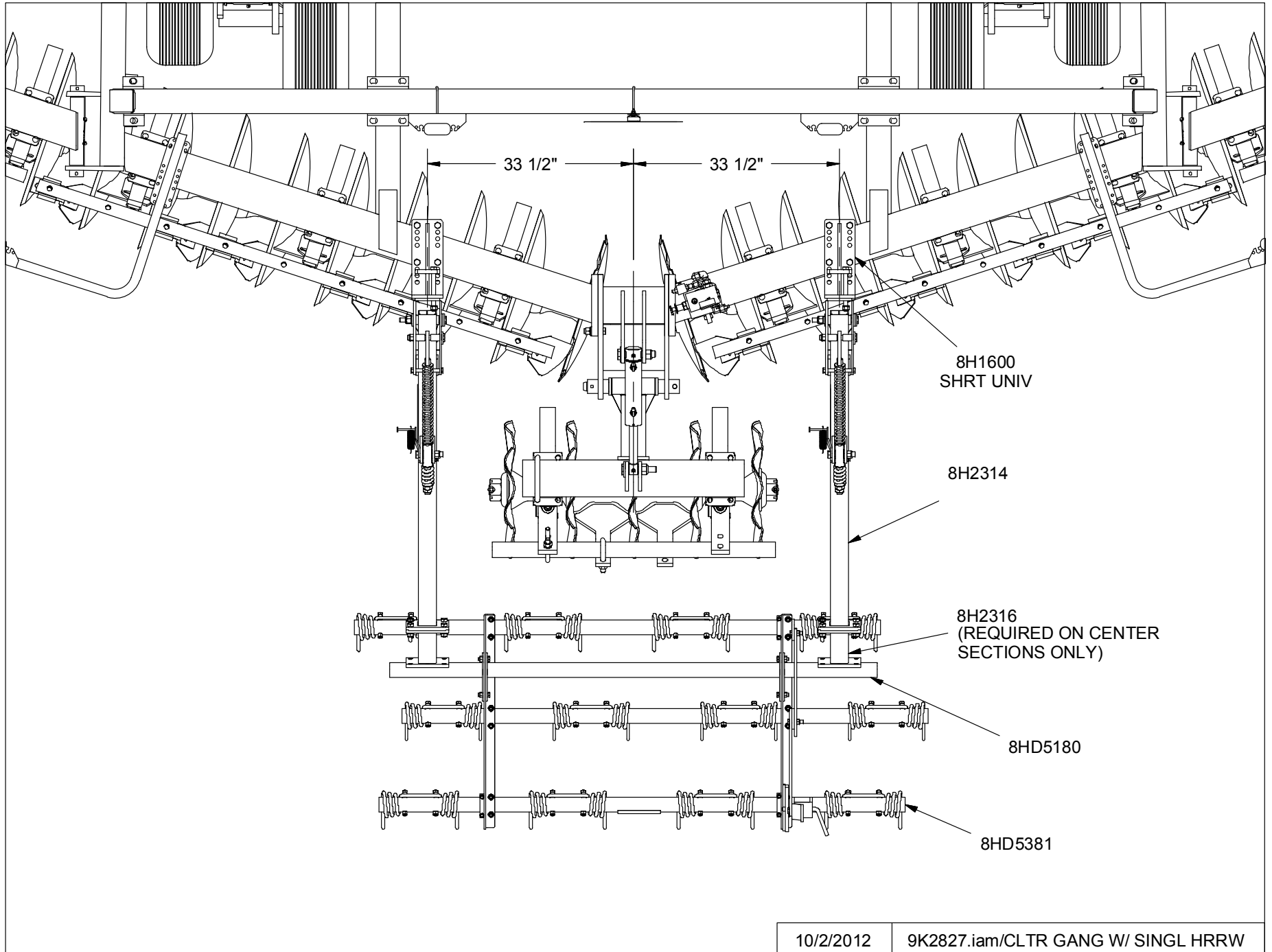


NOTE:  
 BLOCK IS CONFIGURED FOR  
 USE ON TRACTORS WITH  
 CLOSED-CENTER HYDRAULIC  
 SYSTEMS.  
 FOR USE ON OPEN-CENTER  
 HYDRAULIC SYSTEMS, HEX  
 PLUG MUST BE MOVED FROM  
 CP1 TO CP2, AND HOLLOW HEX  
 PLUG MOVED FROM CP2 TO CP1.



5

9





# OPERATING INSTRUCTIONS

**IMPORTANT: REAR COULTER GANG IS DESIGNED TO WORK WITH ACTIVE HYDRAULIC DOWN PRESSURE. SEE NOTE ON PAGE 5 OF INSTALLATION INSTRUCTIONS TO CONFIGURE TO EITHER CLOSED-CENTER OR OPEN-CENTER HYDRAULIC SYSTEM TRACTORS.**

1. PLUG REAR COULTER GANG HYDRAULIC HOSES INTO DESIRED TRACTOR OUTLET. INSURE THAT TIPS AND COUPLERS ARE CLEAN. AT THE TRACTOR, ADJUST HYDRAULIC FLOW TO 30% OF MAXIMUM AND TO CONSTANT VS. TIMED OUTPUT.
2. DO NOT ALLOW ANYONE TO STAND NEAR REAR COULTER GANG WHEN RAISING OR LOWERING. LOWER REAR COULTER GANG WITH TRACTOR HYDRAULICS AND ENGAGE CIRCUIT IN LOWER POSITION, DO NOT RUN THIS HYDRAULIC CIRCUIT IN NEUTRAL/LOCKED POSITION. ADJUST REAR COULTER GANG DOWN PRESSURE WITH BASE END REGULATOR (REFERENCE "A" PAGE 4) TO 500 PSI.
3. WORK A TEST STRIP IN YOUR FIELD. INSURE THAT THE DIAMOND DISK/2510DT IS TILLING AT AN EQUAL DEPTH ACROSS MACHINE WIDTH. SEE OPERATOR'S MANUAL IF DEPTH ADJUSTMENT IS NECESSARY. CHECK PENETRATION DEPTH OF REAR COULTER BLADES, REGULATOR VALVE PRESSURE CAN BE ADJUSTED LOWER OR HIGHER TO MAINTAIN EFFECTIVE CUTTING DEPTH. MAXIMUM REGULATOR PRESSURE IS 1500 PSI.

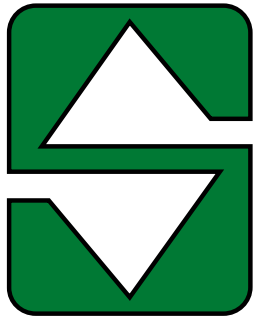
**IMPORTANT: DAMAGE TO DIAMOND DISK OR 2510 DT AND REAR COULTER GANG MAY OCCUR IF RUN WITH HYDRAULIC CIRCUIT IN NEUTRAL/LOCKED POSITION. DAMAGE CAUSED BY RUNNING WITH HYDRAULIC CIRCUIT IN NEUTRAL/LOCKED POSITION IS NOT COVERED BY SUMMERS WARRANTY.**

**MONITOR TEMPERATURE OF TRACTOR HYDRAULIC OIL. DISCONTINUE USE OF REAR COULTER GANG LIVE HYDRAULIC DOWN PRESSURE IF HYDRAULIC OIL BECOMES EXCESSIVELY HOT. IF THIS OCCURS, RUN REAR COULTER GANG HYDRAULIC CIRCUIT IN FLOAT POSITION ONLY UNTIL CAUSE OF OVERHEATING IS RESOLVED. CONTACT YOUR SUMMERS DEALER FOR TROUBLE SHOOTING INFORMATION. DAMAGE CAUSED BY OVERHEATING OF TRACTOR HYDRAULIC SYSTEM IS NOT COVERED BY SUMMERS WARRANTY.**

4. IF THE SOIL PROFILE BEHIND THE REAR COULTER GANG SHOWS A VALLEY OR DEPRESSION, NOT ENOUGH SOIL IS FLOWING BETWEEN THE REAR CENTER BLADES. LOWER THE FRONT OF THE DIAMOND DISK OR 2510 DT TO INCREASE THE AMOUNT OF SOIL RUNNING THRU THE IMPLEMENT CENTER.

5. IF EQUIPPED WITH ADJUSTABLE REAR COULTER GANG, FINE TUNING CAN BE ACCOMPLISHED BY CHANGING THE ANGLE OF THE COULTER GANGS. ROTATING THE CRANK HANDLE COUNTER-CLOCKWISE WILL INCREASE THE GANG ANGLE, RESULTING IN THE COULTER BLADES PULLING MORE SOIL AWAY FROM CENTER STRIP. ROTATING THE CRANK HANDLE CLOCKWISE WILL DECREASE (STRAIGHTEN) THE GANG ANGLE, RESULTING IN LESS SOIL MOVEMENT.

IF A MOUND OF SOIL APPEARS BEHIND THE REAR COULTER GANG, TOO MUCH SOIL IS FLOWING BETWEEN THE REAR CENTER BLADES. RAISE THE FRONT OF THE DIAMOND DISK OR 2510 DT TO REDUCE THE AMOUNT OF SOIL RUNNING THRU THE IMPLEMENT CENTER.



# **SUMMERS<sup>®</sup>**

*... Field Tested TOUGH!*



**Tillage**



**Rock Picker**



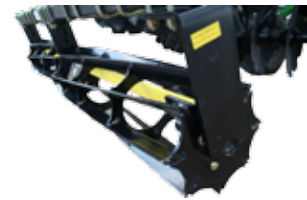
**Land Rollers/Packers**



**Cultivators/Harrows**



**Mounted Attachments**



**Sprayers**



1-800-732-4347 • [www.summersmfg.com](http://www.summersmfg.com)