

AUGERS

MERIDIAN



MERIDIAN

AUGERS



PEOPLE

The driving force at Meridian Manufacturing is the committed ingenuity of employees and dealers, as well as relationships built with our valued customers. Our team takes pride in the work we do and are committed to delivering innovative and reliable storage and handling products.



PRODUCTS

For Meridian Manufacturing, integrity means setting standards in product and service excellence. As a proven industry leader, our commitment to product innovation and customer support is our greatest pursuit.



PERFORMANCE

Our people and products deliver quality performance for you and your operation. We believe that when you are successful, so are we.

MERIDIAN AUGERS

SMOOTH, FAST, & RELIABLE



Augers that run smoother, run longer. The Meridian Auger's Continuous Super-Edge Flighting™ runs quieter and smoother than other flighting, reducing operating stress and offering capacities up to 15,000BPH. With over 70 years of proven experience, you can depend on Meridian augers.

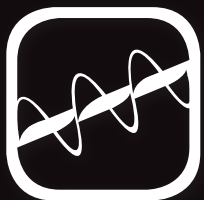


14" SWING AUGERS



THE **MERIDIAN 14" SWING AUGER** IS **RELIABLE, QUIET & MOVES UP TO 15,000BPH**

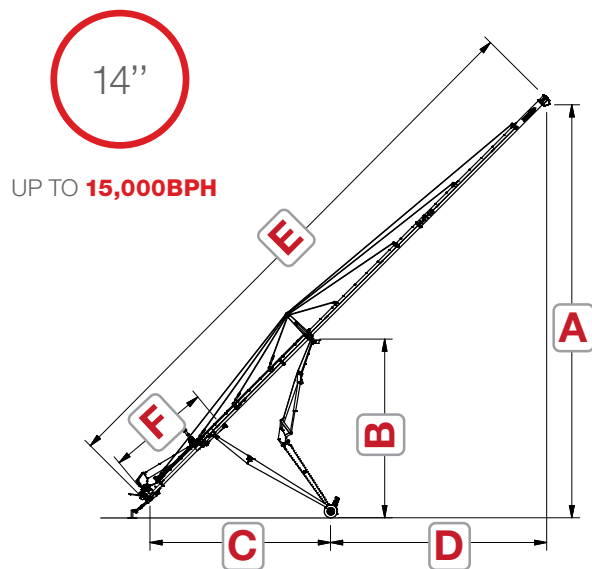
14-95 PICTURED WITH STANDARD SWING



Move your grain quickly and efficiently with a Meridian 14" Swing Auger. This high capacity auger moves up to 15,000 bushels per hour with unmatched durability and is one of the quietest augers on the market. The 14" series feature lengths up to 115', Continuous Super-Edge™ Flighting, and robust gearboxes to ensure reliable, long-lasting performance.

The 14" auger is built with a super heavy-duty undercarriage and truss system. For ultimate convenience and capacity, add our new 16" Extendable Swing. For full details on the 16" Extendable Swing, see page 8.

14" SWING AUGERS



UP TO **15,000BPH**

Measurements reflect a hitch height of approximately 18" above ground level

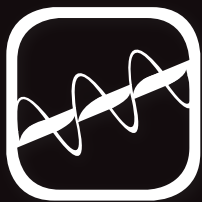
		14-95		14-105		14-115			
		FIXED AXLE		FIXED AXLE		AXLES RETRACTED		AXLES EXTENDED	
		FEET	METERS	FEET	METERS	FEET	METERS	FEET	METERS
A	RAISED	69' 3"	21.1	76' 4"	25.7	83' 3"	25.4	84' 2"	25.3
	LOWERED	9' 4"	2.8	10' 3"	3.1	12' 1"	3.7	13' 3"	4
B	RAISED	36' 2"	11	36' 2"	11	36' 5"	11.1	36' 9"	11.2
	LOWERED	5' 3"	1.6	5' 3"	1.6	5' 11"	1.8	6' 6"	2
C	RAISED	37'	11.3	37'	11.3	37'	11.3	37'	11.3
	LOWERED	46'	14	46'	14	46' 5"	14.1	46' 5"	14.1
D	RAISED	29' 8"	9	36' 9"	11.2	42' 10"	13.1	41' 11"	12.8
	LOWERED	46' 7"	14.2	56' 8"	17.3	66' 2"	20.2	66'	20.1
E	TUBE LENGTH	95'	29	105'	32	115'	35.1	115'	35.1
F	SWING LENGTH	20' 5"	6.2	20' 5"	6.2	20' 5"	6.2	20' 5"	6.2
	WIDTH	13'	4	13'	4	14' 3"	4.3	17' 5"	5.3
	TRANSPORT LENGTH	96' 4"	29.4	106' 5"	32.5	116' 4"	35.5m	n/a	n/a
		LBS	KGS	LBS	KGS	LBS		KGS	
	AUGER WEIGHT	11,420	5,180	11,714	5,314	12,028		5,456	
	AUGER HITCH WEIGHT	3,010	1,365	2,585	1,173	2,160		980	

AUGER TUBE	14" OD x 11 gauge	UNDERCARRIAGE	385/65R X 22.5 floatation tires
AUGER FLIGHT	Cupped Super-Edge™ on 3" core	POWER REQUIRED	170 - 225 HP Tractor
DRIVE	Tractor PTO 1000 rpm	CAPACITY PER HOUR	14,000 - 15,000 Bushels per hour
LIFT	Dual 5 1/2" OD Cylinders, Lifting Pressure 2200 psi	HOPPER SIZE	46" W x 74" L x 143/4" H
SWING AUGER	Low Profile, PTO driven, steel cut sprockets, high speed roller chain	REDUCING GEARBOX	3 1/4 L of 8090 Gear Oil

FEATURES

- Cable truss system - provides stability for heavy loads
- Each cable works on a three point system to eliminate tube sag between lock points
- Side cables located at main auger to reduce tube sway
- Hydraulic worm gear winch located at the hopper lift arm
- Heavy duty gearboxes
- High capacity 16" diameter mechanical drive swing auger
- Head-end features a heavy-duty dual thrust bearing
- Patented product overflow doors located at the discharge end of the auger - prevents auger plugging when the bin is full
- Electric mover on swing hopper
- 1000 rpm PTO speed with a speed reducing gearbox
- Powder coat finish

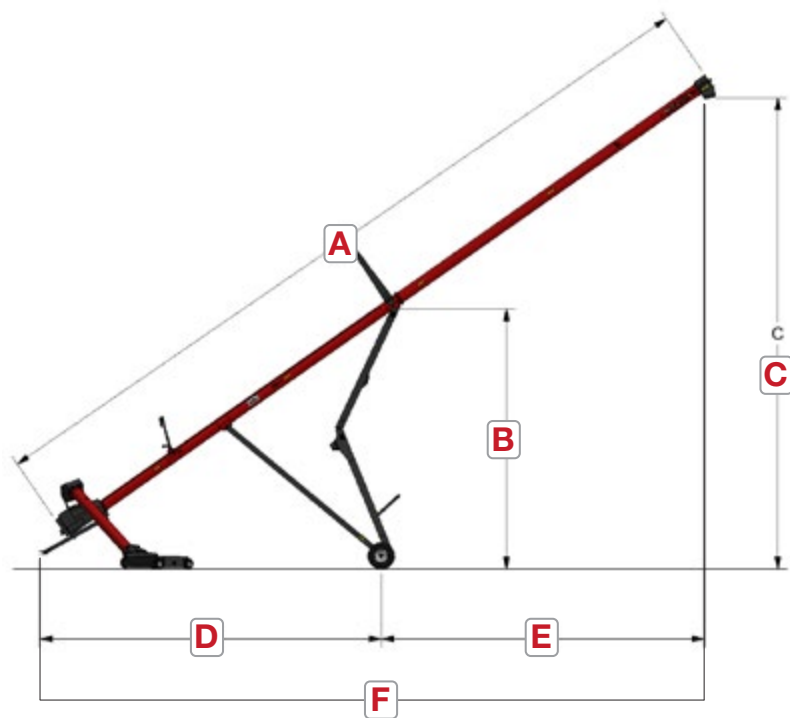
13" SWING AUGERS



This is more than just a new auger. This is the perfect combination of proven innovation, capacity, and affordability. When you think about 13" augers, you don't expect capacities up to 13,000BPH. The Meridian 13" Swing Auger series are available in 75' & 85' lengths and feature Continuous Super-Edge™ Flighting, HD undercarriages, and robust gearboxes.

The 13" auger features a swing assembly that can easily be placed on either side of the main auger tube. Simply push the arm from one side of the main auger tube to the other side to seamlessly operate the swing auger to best match your operation.

13" SWING AUGERS



		1375	1385
A	TUBE LENGTH	75' 22.8m	85' 25.9m
B	RAISED	24' 7" 7.5m	24' 7" 7.5m
	LOWERED	6' 6" 2m	6' 6" 2m
C	RAISED	44' 4" 13.5m	49' 7" 15.1m
	LOWERED	10' 1" 3.1m	11' 6" 3.5m
D	RAISED	32' 3" 9.8m	32' 3" 9.8m
	LOWERED	40' 12.2m	40' 12.2m
E	RAISED	30' 6" 9.3m	39' 5" 12m
	LOWERED	36' 11m	45' 11" 14m
F	RAISED	62' 9" 19.1m	71' 8" 21.8m
	LOWERED	76' 23.2m	85' 11" 26.2m

Measurements reflect a hitch height of approximately 18" above ground level

AUGER TUBE	12.75" OD x 12 Gauge
AUGER FLIGHT	11 3/4" OD x 5/16" c/w Continuous Super-Edge™
TUBE CONNECTORS	HD 2" x 2" x 1/4" Angle Flange
UNDERCARRIAGE	A-Frame 8" x 3" x 3/16", Main Frame 6" x 4" x 3/16"
SPROCKET & CHAIN	Hardened Tooth Sprockets & #60 Chain
DRIVE	540 or 1000 rpm Tractor PTO
SWING AUGER	12.75" Diameter Mechanical Drive c/w Intake Boot
WHEELS	Tire ST235/80R16 c/w 6 Bolt on 5.5" BC

	1375	1385
POWER REQUIRED	100-125 HP Tractor	
CAPACITY	Up to 13,000BPH Up to 5.4 Metric Tonnes/Minute	
HOPPER DIMENSIONS	62"x 41.5" x 13" 157.5cm x 105.4cm x 33cm	
TRANSPORT HEIGHT	13'-1" 4m	14' 9" 4.5m
TRANSPORT LENGTH	77' 1" 23.5m	87' 2" 26.6m
TRANSPORT WIDTH	12'-4" 3.8m	
AXLE EXTENSION WIDTH	15'-4" 4.7m	
HITCH WEIGHT	1780lbs 807kg	1480lbs 671kg

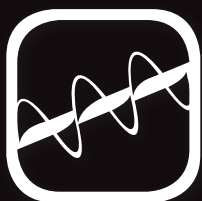
FEATURES

- Heavy-duty cable truss system with side cables
- Hydraulic worm gear winch located at the hopper lift arm
- Heavy-duty gearboxes
- Head-end features a heavy-duty dual thrust bearing
- Patented product overflow doors located at the discharge end of the auger - prevents auger plugging when the bin is full
- Powder coat finish

OPTIONS

- Available in 540 or 1000 PTO
- Hydraulic winch
- LED light package
- Kramble 12V remote controlled swing hopper mover
- 13" Poly Flex spout
- Transport safety lights

EXTENDABLE SWING



Meridian is excited to offer the Extendable Swing on our 14" Swing Augers. The Extendable Swing is crafted with high capacity in mind and has no problem with keeping up with the 14" Auger's 15,000BPH capacity.

The Meridian Extendable Swing features a 16" diameter tube, 9' of telescopic travel, and 2' working range. It seamlessly retracts to position your grain trailer and extends back out for operation. The hydraulic 3-way controls are conveniently located on the swing tube, making operation simple and efficient.

EXTENDABLE SWING



FEATURES

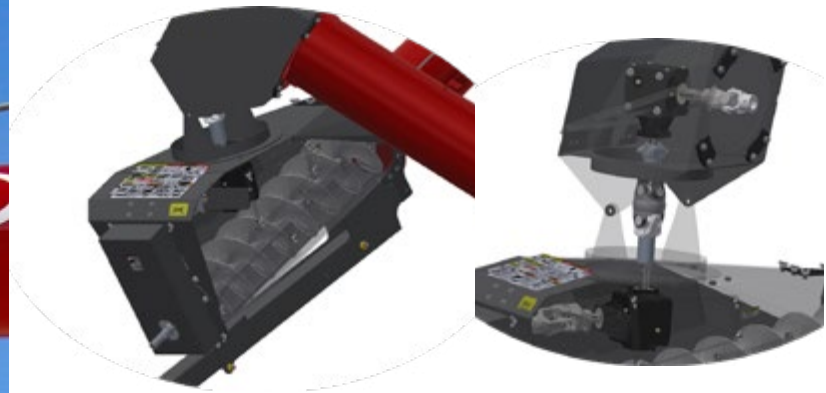
- 16" Diameter
- 17' Length | 9' Travel | 2' Working Range
- 15,000BPH Capacity
- Two 9" feed screws and one 7" center screw
- Powder coat finish
- 3 Way Hydraulic controls
- Quick retract for safe and easy truck access
- Quick extend for fast and efficient unloading
- Reach both trailer hoppers without moving the truck

13" & 14" SWING AUGER OPTIONS & FEATURES



Patented Spring Loaded Blow Out Doors

The 13" & 14" auger feature Meridian's Patented Blow Out Doors. These Safety Blow Out Doors prevent plugging, which could cause damage to the flight with helix stripping and roll back from the core. The doors are spring loaded and self closing.



13" Auger Infeed

The Meridian 13" auger feed head and boot assembly is larger allowing for greater capacity. An added feature in the boot is the removable 4 ft. flight assembly.

The boot assembly also features a large cleanout door and gearbox access doors on both sides.

The heavy-duty gear boxes feature splined stubs on the input and output ends, splined universal joints and a splined cv joint between the two gear boxes.



13" & 14" SWING AUGERS



Extendable Axle

Meridian swing augers feature a standard extendable axle for a wider position, ensuring the auger to remain in place while still maximizing bin reach. 13" shown above.



Electric Swing Hopper Mover

Now you can do two things at once with a wireless remote control mover designed to increase farm safety and improve working conditions.

This design gives you the ability to move the hopper and the swing tube with a wireless transmitter making grain handling easier and more efficient. No other off-the-shelf product compares in terms of cost of applications. These swing movers are a one-time investment that will benefit your grain hauling for many years.



Fastened Spline and Hub Connection

Meridian 13" and 14" swing augers feature a unique heavy duty fastened spline and hub connection. The robust dual head end bearing assembly, supports the complete flight assembly.



Heavy Duty Truss System

14" 3-Point System shown left, 13" Truss System shown right.



Hydraulic Winch and Lift Arm

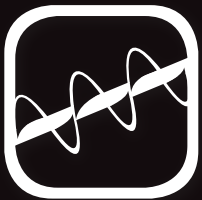
Raise or lower the hopper and swing tube with ease. The lift arm and winch can be quickly mounted on the left or right of the tube, allowing for unloading from either side of the swing auger.



Left/Right Hand Fighting

Meridian was the original designer and patent holder of left/right hand hopper fighting. Meridian's left and right hand fighting ensures fast and efficient flow into the main tube.

10" & 12" SWING AUGERS



Meridian's scissor lift mechanical drive grain auger provides durable, steadfast quality farmers can rely on to move product efficiently and without worry. At Meridian, the reversing kit comes standard with our swing augers. Our hopper lift can accommodate any operating situation by placing the hopper on the left or right hand side of the main tube. Like our other Swing Augers, the 10" & 12" feature continuous Super-Edge™ Flighting for smooth, efficient, and long-lasting performance.

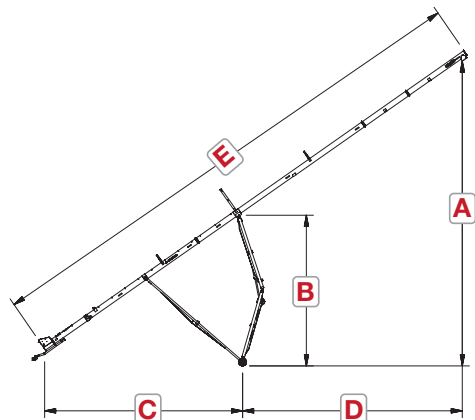
10" & 12" SWING AUGERS



UP TO **6,000BPH**



UP TO **10,000BPH**



Measurements reflect a height of approximately 18" above ground level to show a more accurate working height.

	SLMD10	SLMD12
AUGER TUBE	10" OD x 13 Gauge	12" OD x 12 Gauge
AUGER FLIGHT	Continuous Cup 1/4" Super Edge™ Flight	Continuous Cup 1/4" Super Edge™ Flight
DRIVE	540 rpm Tractor PTO	540 rpm Tractor PTO
SWING AUGER	10" Diameter Mechanical Drive c/w Brake Winch	12" Diameter Mechanical Drive c/w Brake Winch
WHEELS	16" Rims c/w Tapered Roller Bearings	16" rims c/w Tapered Roller Bearings
POWER REQUIRED	50 - 90 HP Tractor	100 HP - 120 HP Tractor
CAPACITY PER HOUR	4500 - 6000 Bushels	7800 - 9000 Bushels
STANDARD HOPPER SIZE	35-3/4" W x 52" L x 10-1/4" H c/w Patented Reverse Flighting	41-1/2" W x 52" L x 14-1/4" H c/w Patented Reverse Flighting

		SLMD 10-66		SLMD 10-72		SLMD 12-72		SLMD 12-79		SLMD 12-85		SLMD 12-95	
		Feet	Meters	Feet	Meters	Feet	Meters	Feet	Meters	Feet	Meters	Feet	Meters
A	RAISED	42'	12.8	46' 1"	14.1	45' 6"	13.9	49' 6"	15.1	53' 7"	16.3	57' 1"	17.4
	LOWERED	12' 2"	3.1	12' 2"	3.7	10' 9"	3.3	10' 9"	3.3	10' 9"	3.3	14' 6"	4.4
B	RAISED	22' 11"	7	25'	7.6	25' 4"	7.7	27' 4"	8.3	29' 4"	8.9	29' 4"	8.9
	LOWERED	6' 9"	2.1	6' 8"	2	6' 7"	2	6' 7"	2	6' 7"	2	6' 7"	2
C	RAISED	28' 2"	8.6	30' 5"	9.3	30' 6"	9.3	33' 2"	10.1	35' 9"	10.9	35' 9"	10.9
	LOWERED	33' 4"	10.2	36' 7"	11.2	39' 9"	12.1	43' 1"	13.1	46' 5"	14.2	46' 5"	14.2
D	RAISED	23' 5"	7.1	26' 3"	8	25' 8"	7.8	28' 3"	8.6	30' 10"	9.4	40' 10"	12.5
	LOWERED	29' 8"	9	33' 1"	10.1	31' 5"	9.6	34' 9"	10.6	38'	11.6	52'	15.9
E	LENGTH	65' 7"	20	72' 2"	22	72' 6"	22.1	79'	24	85' 7"	26.1	95' 7"	29.1
		LBS	KG	LBS	KG	LBS	KG	LBS	KG	LBS	KG	LBS	KG
	AUGER HITCH WEIGHT	1040lb	470kg	1060lb	480kg	1400lb	635kg	1420lb	645kg	1440lb	655kg	1400lb	635kg
	AUGER WEIGHT	3887lb	1763kg	4252lb	1929kg	6015lb	2728kg	6214lb	2818kg	6462lb	2931kg	6506lb	2951kg

FEATURES

- Cable truss system - provides stability for heavy loads
- Hydraulic worm gear winch located at the hopper lift arm
- Heavy duty gearboxes
- Electric mover on swing hopper (optional)
- Powder coated finish

10" & 12" SWING AUGER OPTIONS & FEATURES



Left/Right Hand Flighting

Meridian was the original designer and patent holder of left/right hand hopper flighting. Meridian's left and right hand flighting ensures fast and efficient flow into the main tube.



Electric Swing Hopper Mover

Now you can do two things at once with a wireless remote control mover designed to increase farm safety and improve working conditions.

This design gives you the ability to move the hopper and the swing tube with a wireless transmitter making grain handling easier and more efficient. No other off-the-shelf product compares in terms of cost of applications. These swing movers are a one-time investment that will benefit your grain hauling for many years.

10" & 12" SWING AUGERS



Extendable Axle

Meridian swing augers features a standard extendable axle. 10" & 12" SLMD axle shown above.



Flight Connections

Meridian 10" and 12" swing augers, feature a spline and hub flight assembly connection. This unique connection, allows for movement without adding additional strain on the top head end and bottom boot bearings.



Hydraulic Winch and Lift Arm

Raise or lower the hopper and swing tube with ease. The lift arm and winch can be quickly mounted on the left or right of the tube, allowing for unloading from either side of the swing auger.



LED Light Kit

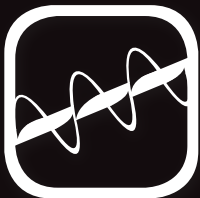
Never lose sight of your work area with Meridian's LED lighting kits.

TRUCK LOAD AUGERS



MERIDIAN TRUCK LOAD AUGERS
REDEFINE **DURABILITY & CAPACITY.**

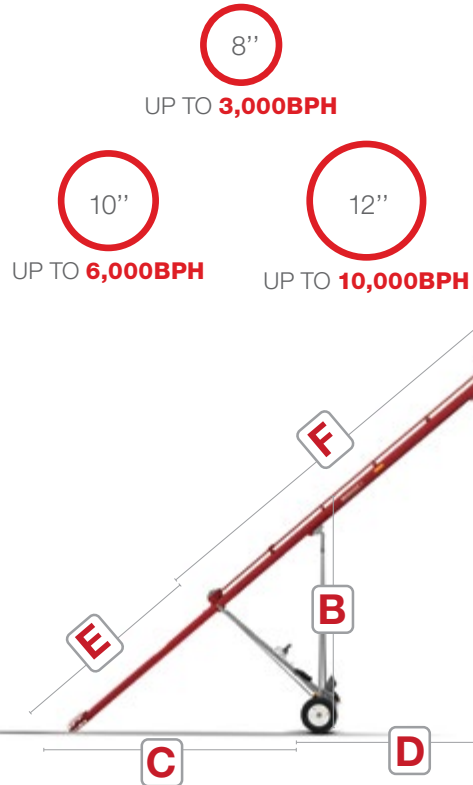
TL12-39 PICTURED



Meridian Truck Load Augers are built to be rugged, dependable, and versatile. Our square structural undercarriage, offset axle, self-leveling motor mount, Continuous Super-Edge™ Flighting (up to 53'), and unique seamless tube connectors (on augers 46' and up) are all standard features. For unparalleled maneuverability, add our 4-Wheel Frame-Mounted mover.

The Meridian conventional auger is available in 8", 10", & 12" diameter tubes, lengths from 33' - 59', and offer capacities from 2,400-10,000 BPH. Ask a Meridian expert about fully equipped packages.

AVAILABLE DIAMETERS



		HD33		HD39		HD46		HD53		HD59		TL39	
		FEET	METERS	FEET	METERS	FEET	METERS	FEET	METERS	FEET	METERS	FEET	METERS
A	RAISED	19' 11"	6.1	23' 7"	7.2	27' 7"	8.4	31' 6"	9.6	33' 6"	10.8	23' 7"	7.2
	LOWERED	8' 7"	2.6	8' 5"	2.6	9' 9"	3.0	11' 3"	3.4	12' 8"	3.9	8' 5"	2.6
B	RAISED	11' 1"	3.4	13' 1"	4.0	15' 5"	4.7	18' 0"	5.5	20' 4"	6.2	13' 1"	4.0
	LOWERED	7' 0"	2.1	7' 2"	2.2	8' 6"	2.6	9' 2"	2.8	10' 9"	3.3	7' 2"	2.2
C	RAISED	14' 7"	4.4	19' 3"	5.9	20' 9"	6.3	23' 8"	7.2	26' 9"	8.2	19' 3"	5.9
	LOWERED	19' 0"	5.8	21' 8"	6.6	25' 11"	7.9	29' 7"	9.0	33' 9"	10.3	21' 8"	6.6
D	RAISED	11' 9"	3.6	13' 5"	4.1	15' 1"	4.6	18' 1"	5.5	19' 9"	6.0	13' 5"	4.1
	LOWERED	13' 1"	4.0	15' 0"	4.6	18' 7"	5.7	21' 5"	6.5	23' 7"	7.2	15' 0"	4.6
E	LENGTH	10' 6"	3.2	12' 6"	3.8	14' 9"	4.5	16' 9"	5.1	19' 0"	5.8	12' 6"	3.8
F		21' 6"	6.6	25' 3"	7.7	29' 6"	9.0	32' 1"	10.4	28' 3"	11.7	25' 3"	7.7
AUGER WEIGHT BY DIAMETER		8"		8"		8"		8"		8"		10"	
		950 lbs 431 kgs		1,070 lbs 485 kgs		1,200 lbs 544 kgs		1,360 lbs 617 kgs		1,480 lbs 871 kgs		1,180 lbs 535 kgs	
						10"		10"		10"		12"	
						1,530 lbs 694 kgs		1,680 lbs 762 kgs		1,860 lbs 844 kgs		1,740 lbs 789 kgs	

	HD8	HD10	TL10	TL12
AUGER TUBE	8" OD x 14 gauge tubing	10" OD x 13 gauge tubing	10" OD x 14 gauge tubing	12" OD x 12 gauge tubing
FLIGHT	10 gauge	9 gauge	9 gauge	7 gauge
DRIVE	Available drive options are gas engine, electric motor or PTO			
BELT	Banded Double V-Belt	Banded Triple V-Belt	Banded Double V-Belt	Banded Triple V-Belt
UNDERCARRIAGE (HSS TUBING)	2 1/2" x 2 1/2" x 1/8"	3" x 3" x 1/8"	2 1/2" x 2 1/2" x 1/8"	3" x 3" x 1/8"
WHEELS	15" wheels c/w tapered roller bearings			
MOTOR MOUNT	Patented self-levelling motor mount with built in belt tension release			
POWER REQUIRED	20 HP Gas 10 HP Electric	35 HP Gas 20 HP Electric	27-30 HP Gas 20 HP Electric	40-50 HP Gas 20 HP Electric
CAPACITY PER HOUR	2,400 - 3,000 bushels of wheat	4,500 - 6,000 bushels of wheat	4,500 - 6,000 bushels of wheat	8,000 - 10,000 bushels of wheat

Auger Movers

Backed by over 70 years experience in the design and fabrication of short-line grain handling equipment, our auger movers are built strong, stable and versatile. Designed for conventional augers, our four wheel movers have been engineered to fit between most above ground hopper legs. With no undercarriage that connects the walking beams to the auger axle, the operator is allowed unrestricted movement around and underneath the auger. In addition, the mover wheels are set on independent walking beams for increased stability as high-quality gear pumps supply hydraulic power to the system. Finally, our unique design helps the operator because no matter how high or low the auger is, the controls are always at waist level, right in front of you.





Electric Clutch

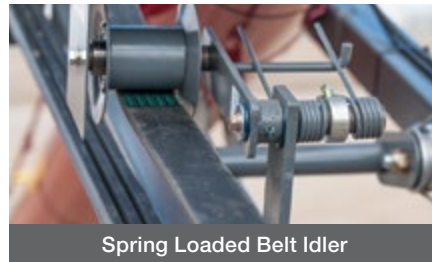
Designed specifically for the auger industry, our clutch can accommodate double-belt-drive and triple-belt-drive augers and can shut down the auger flighting, even from inside the bin.

The pump pulley always turns with the crankshaft and is independent of the clutch pulley, allowing the supply of hydraulic power when the clutch is disengaged. In addition, our magnetic switch boxes can be placed anywhere on the auger and uses an exclusive cover to prevent accidental activation.



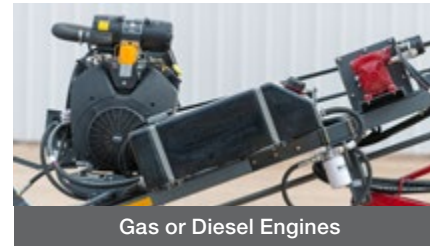
Reversible Gearbox Shifter

Our reversible gearbox is standard and allows the operator to reverse without flipping the auger belts by hand. An optional shifter lever is mounted down towards the intake, allowing the operator to shift the gearbox even when the auger is in an elevated position. Combine our electric clutch with the reversible gearbox and an operator can clean out the grain auger safely, conveniently and efficiently in a matter of seconds.



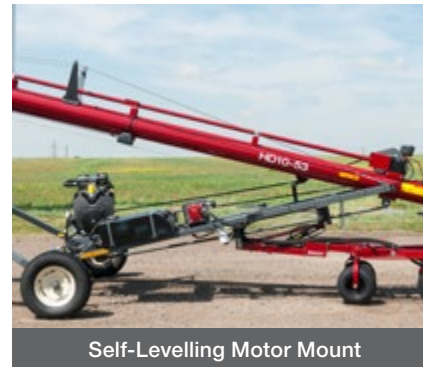
Spring Loaded Belt Idler

Specifically designed for longer augers, Meridian's spring loaded belt idler will reduce belt wear and remove whip common with long belts under load.



Gas or Diesel Engines

Meridian only offers engines that are expertly engineered, extremely dependable and come fully assembled. Now you can push your auger to its limits with a powerful engine designed to get more done in less time. Winter kits and Diesel options are available. Ask your dealer for details.



Self-Levelling Motor Mount

Meridian was the original designer and patent holder of the Self-Leveling Motor Mount. Meridian's self-leveling motor mount ensures consistent belt tension regardless of the height of the auger.



Shovel and Shovel Holder



LED Light Kit

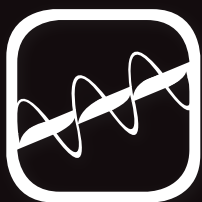
Never lose sight of your work area with Meridian's positive ground, engine-powered LED lighting kits.



Banded Belt Drives

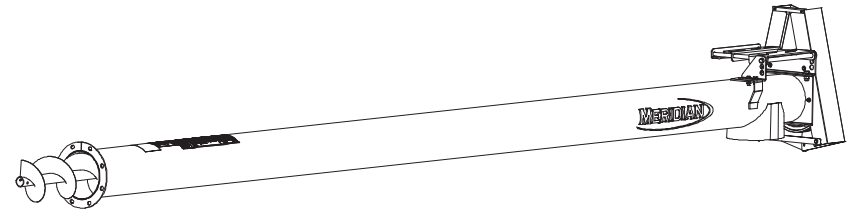
Our banded belt drive gives you better grip on drive pulleys and eliminates single belt slipping. Combine it with our electric clutch for smoother operation and less whipping.

UTILITY AUGERS



Meridian is excited to introduce our new line of Utility Augers. These augers are available in 6", 8" and 10" diameters, and are available for your seed, drying and feed handling setups! Each model features a standard 16' auger and motor mount with 5', 10', and 15' extensions available.

UTILITY AUGERS



	6"	8"	10"
Motor Pulley required	2B 3 1/4" - 4"	2B 3 1/4" - 3 1/2"	2B 3 1/4" - 3 1/2"
Flighting speed	480 - 580	480 - 510	480 - 510
Supplied Belt Size	B44	B44	B44

HP Requirements	6"	8"	10"
16' - 21'	1.5 - 2	3	3 - 5
26' - 31'	3	5	5 - 7.5
36' - 41'	3 - 5	5 - 7.5	7.5 - 10
46' - 51'	5	7.5 - 10	10 - 15
56' - 61'	7.5	10	15 - 20

*Motor and drive pulley not included

6 INCH MODELS

UA 616	6" x 16' upper basic section c/w motor mount
UX 605	6" x 5' extension tube & flighting
UX 610	6" x 10' extension tube & flighting
UX 615	6" x 15' extension tube & flighting

8 INCH MODELS

UA 816	8" x 16' upper basic section c/w motor mount
UX 805	8" x 5' extension tube & flighting
UX 810	8" x 10' extension tube & flighting
UX 815	8" x 15' extension tube & flighting

10 INCH MODELS

UA 1016	10" x 16' upper basic section c/w motor mount
UX 1005	10" x 5' extension tube & flighting
UX 1010	10" x 10' extension tube & flighting
UX 1015	10" x 15' extension tube & flighting

STANDARD FEATURES:

- Heavy-Duty Build
- Continuous Flighting
- Powder Coat Finish

AVAILABLE OPTIONS:

- Mounting Kit
- Standard Auger Boot
- Extensions (5', 10', 15')
- Universal Boot
- Intake Shield



WE OWN **8 MERIDIAN TRUCK LOAD
AUGERS** AND **WE'VE NEVER HAD
ANY ISSUES.**

— WALT SMITH, SMITH FAMILY SEEDS —



PEOPLE. PRODUCTS. PERFORMANCE.

MERIDIAN[®]



PEOPLE. PRODUCTS. PERFORMANCE.

meridianmfg.com | augers@meridianmfg.com | (800) 667-5904