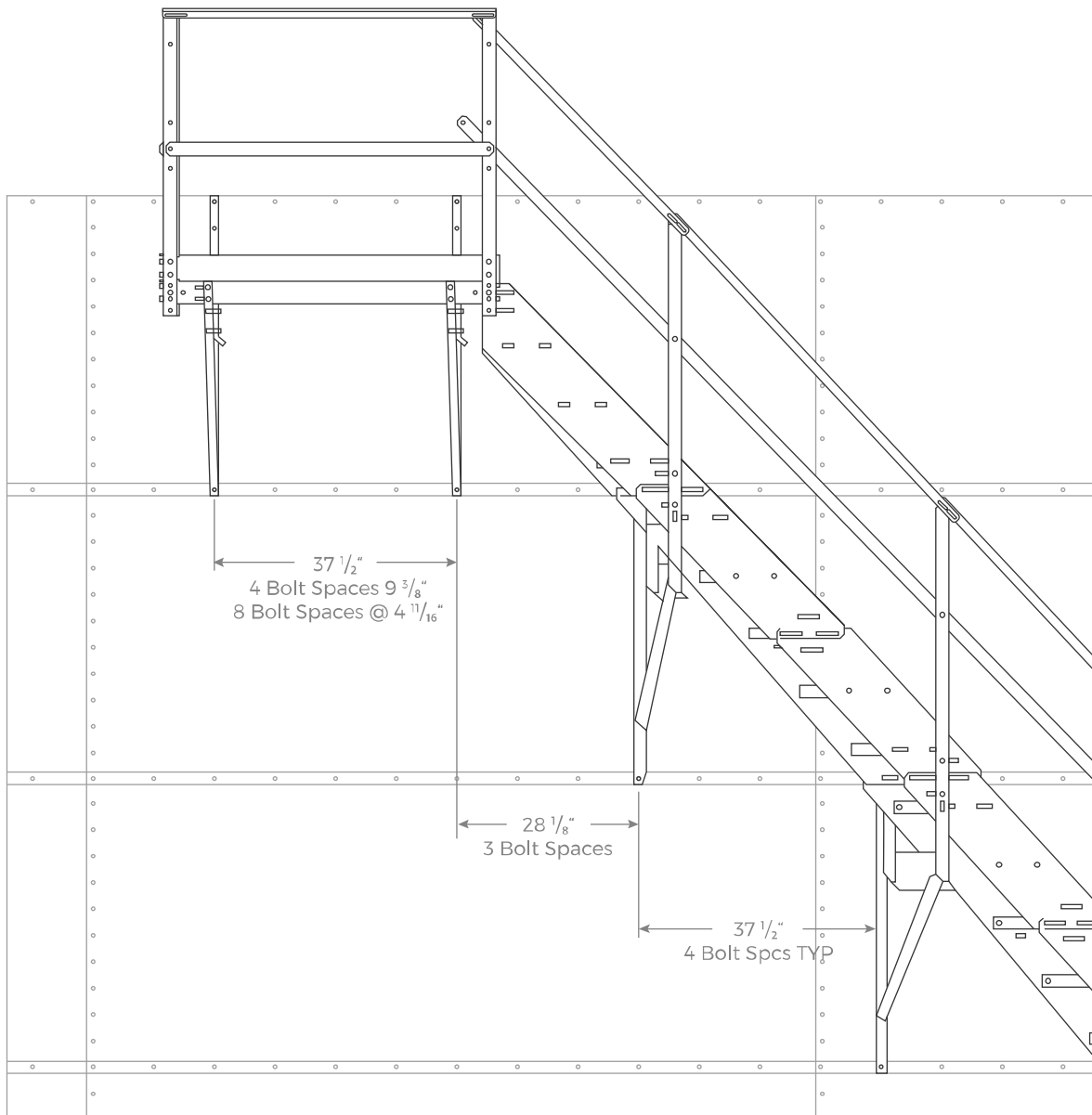


## Easy to assemble Galvanized Stairs

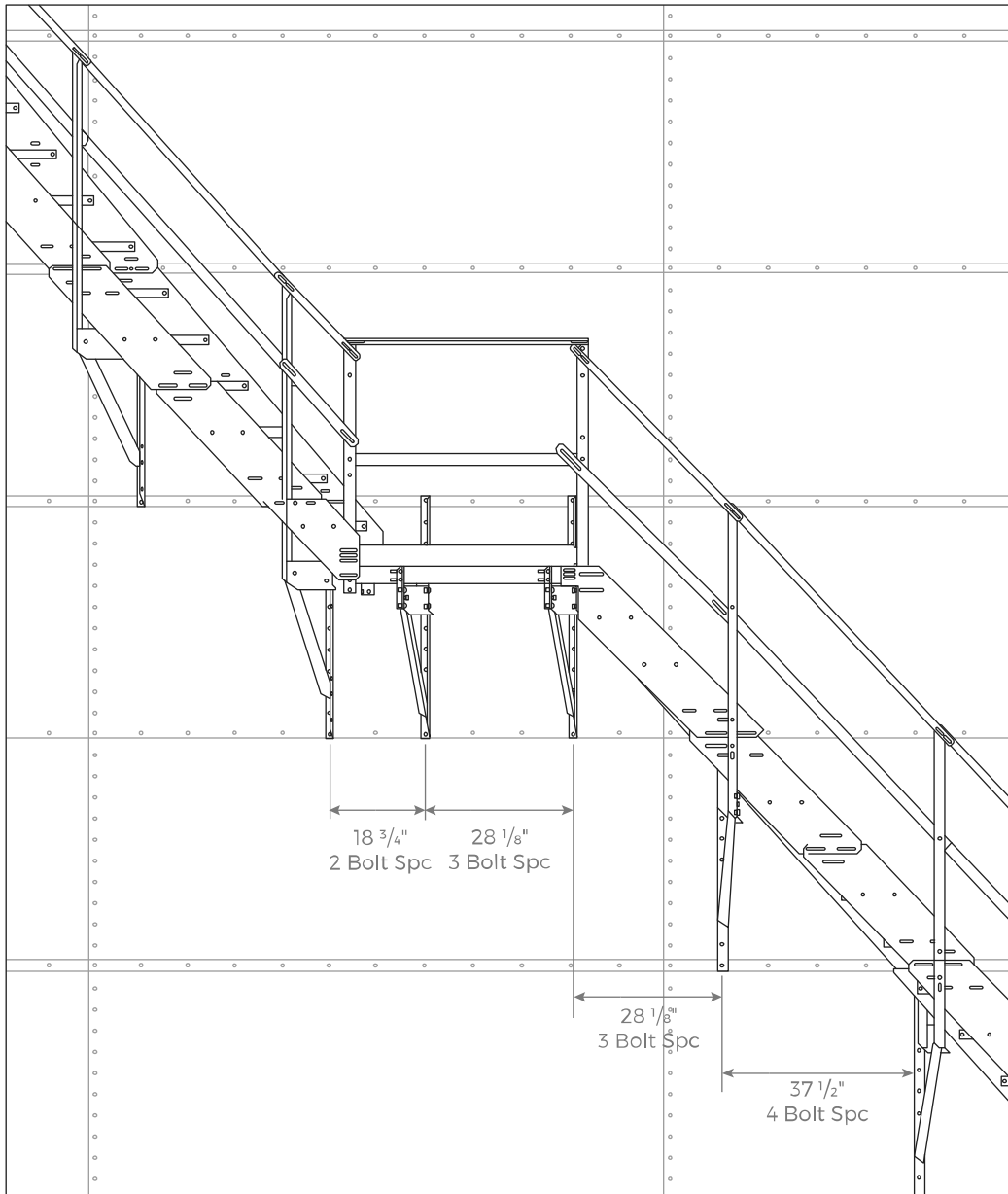
Please read this entire sheet before starting to avoid the need to disassemble and redo steps.

For MB4500 Series, the bolt spacing layouts are the same though the dimensions may vary slightly.



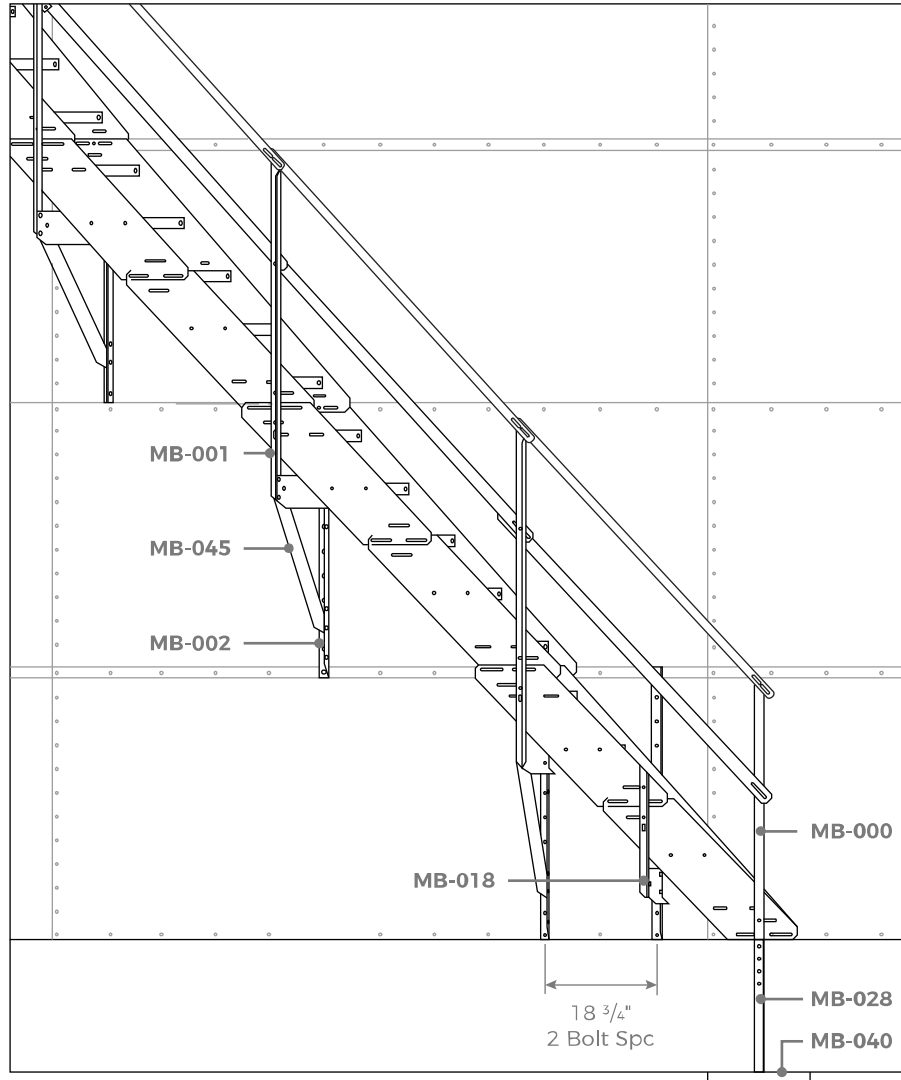
### 1. PLATFORM LAYOUT

The MB3544 platform rests 12" below the eave and the A-frame brackets are 4 bolt spaces apart (37 1/2"). It is recommended to place two thirds of the platform under the roof ladder with the remainder under the manhole. The MB2600 stair section attaches to the platform and has an A-frame 3 bolt spaces (28 1/8") from the platform A-frame. The stair section is included in the MB3544 platform package.

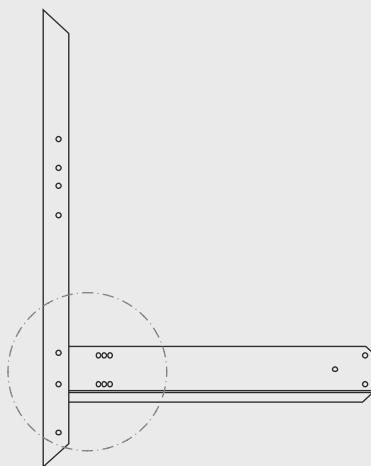


**2. INTERMEDIATE PLATFORM LAYOUT** (OPTIONAL EQUIPMENT)

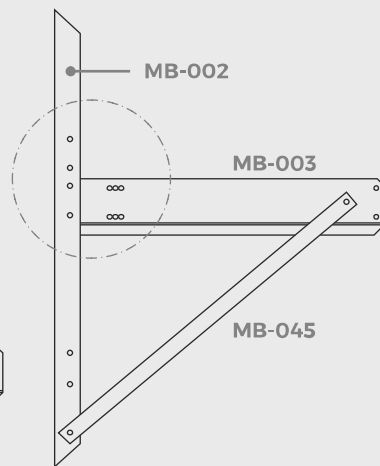
1. The platform should be laid out with the longer end toward the upward run of the stairs.
2. From the top down, the way brackets are spaced 2, 3, 3 in terms of bolt spacing
  - **TWO** from the last stair section
  - **THREE** from the first intermediate platform wall bracket
  - **THREE** from the last intermediate platform wall bracket to the next stair wall bracket
3. Platform A-frame wall brackets should be assembled like the platform layout shows in the instruction manual.



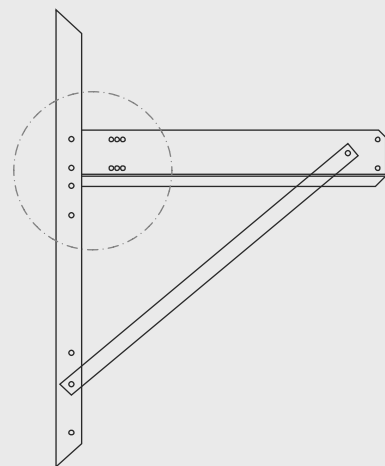
**Assemble A-Frames**



Bottom Bracket



Platform Bracket



Stair Bracket

**ASSEMBLE STAIR SECTIONS**

**Painted end of Side rails are always UP**

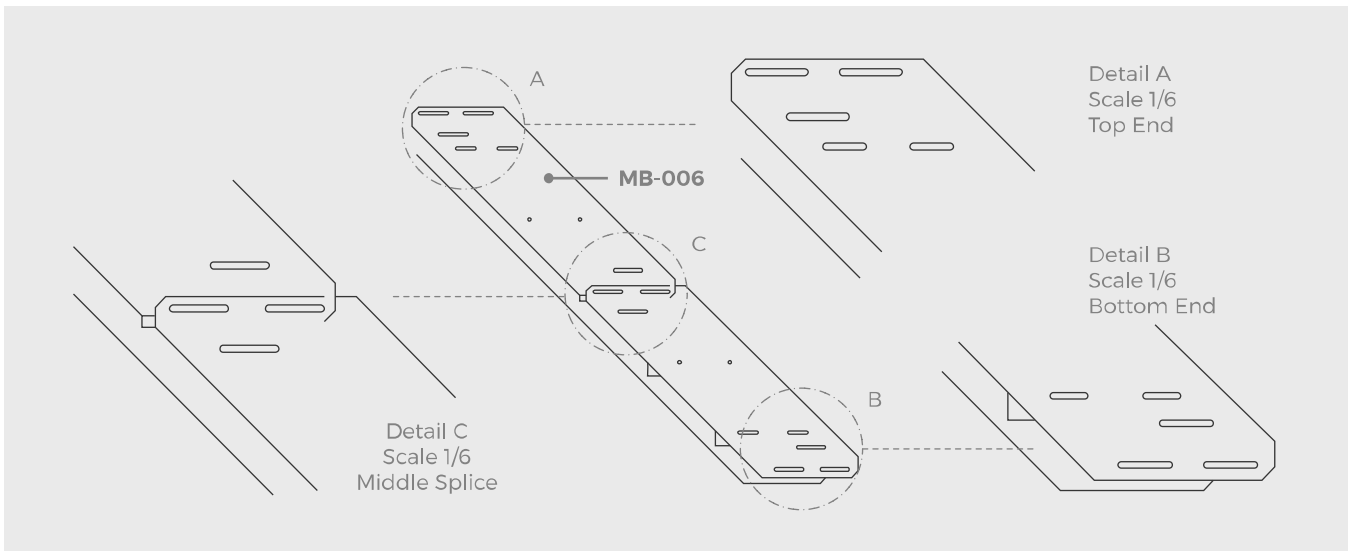
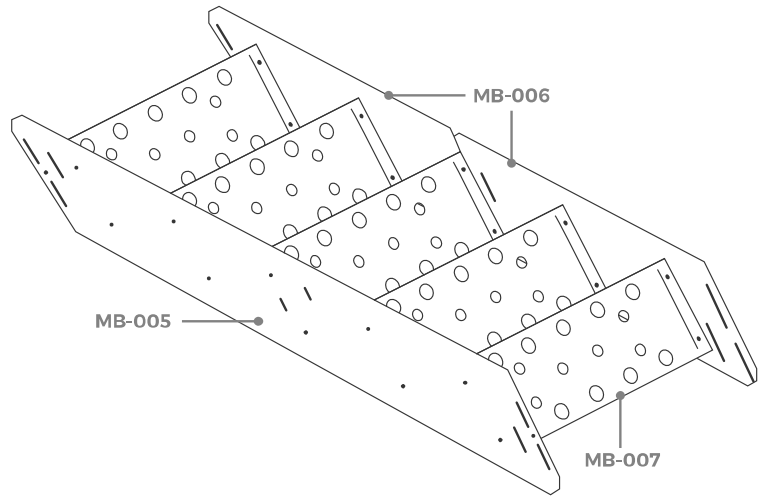
The MB4400 stair section has five steps.

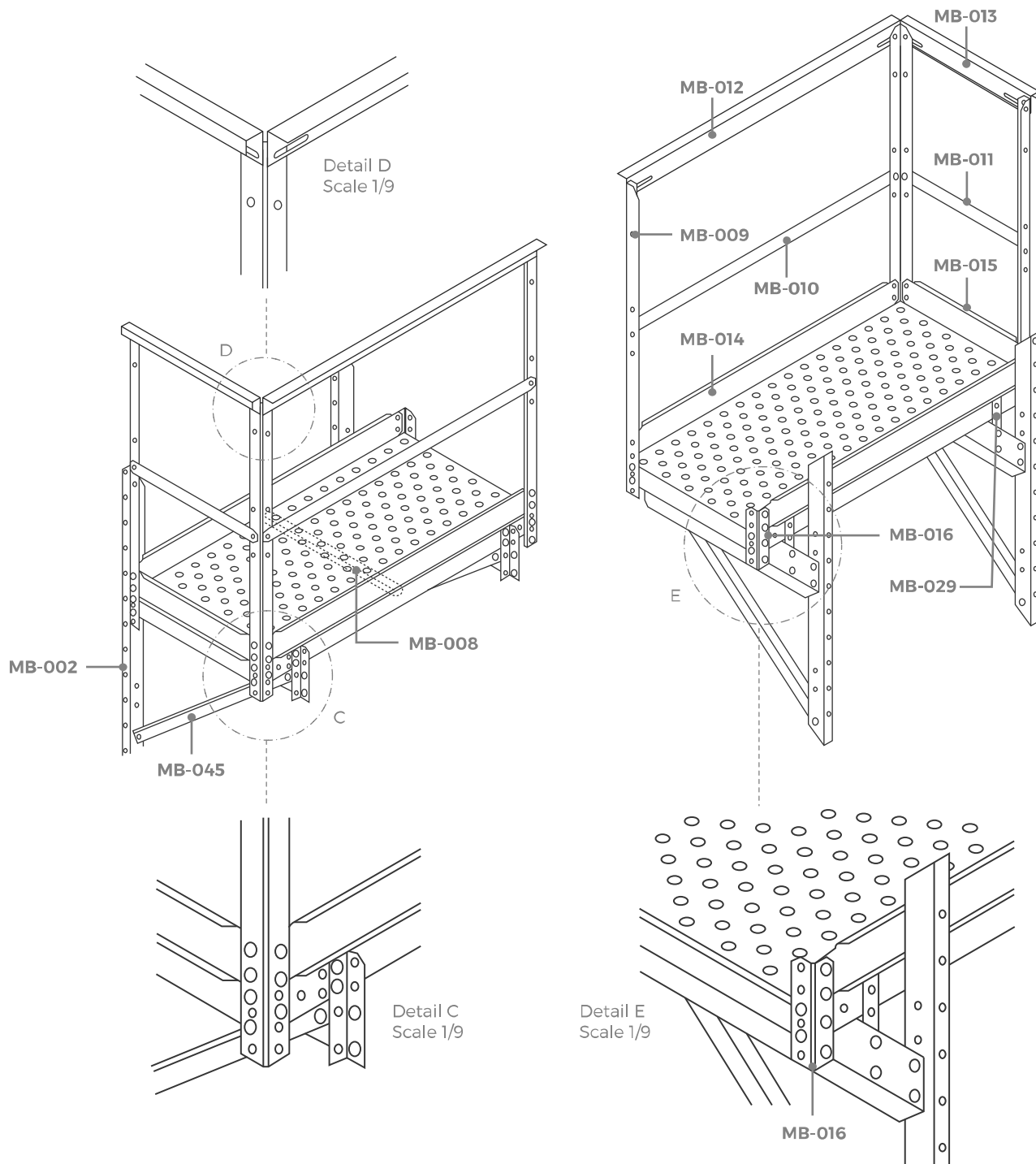
The A-frame attaches 4 bolt spaces (37 1/2") from the preceding A-frame.

The outside side rail on the MB4400 stair sections are two-piece.

Attach the steps and tighten the steps to the inside side rail.

Tighten the round-hole connection to the outside side rail, but leave the slot connections loose for later adjustments.





### ASSEMBLE TO PLATFORM

These instructions are for putting the stairs on as the bin is being built.

Attach the platform A-frame to begin installation

**IMPORTANT: See wall bracket layout drawing for up and down indicators**

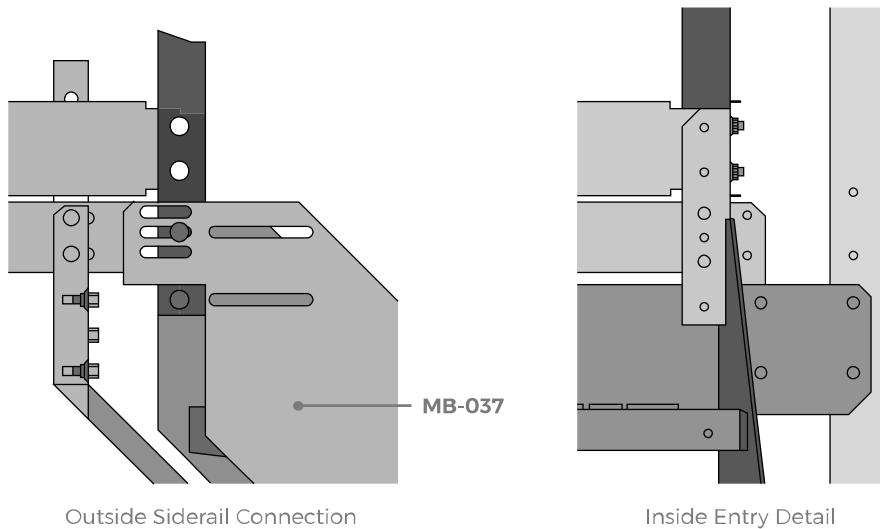
Attach the mid brace to the bottom of the platform skin through the pre punched holes.

Attach platform skin to A-frames with the four short platform mount posts.

Attach the platform posts and the kick board post to the corners of the platform.

**ATTACH THE KICK BOARDS, HAND AND INTERMEDIATE RAILS.**

Attach stair section to platform with the hole in the platform skin and the bottom hole of the posts on the inside and outside side rail. The shallow holes on the outside side rail are the smaller bins (type 60' and under) and the deep holes are for the larger bins. The top of the side rail is flush with the deck to clear the kick board.



Keep the inside side rail as close to the center of the adjustment slot as possible to keep the stairs from creeping forward down the bin. Continue to monitor this as you put successive sections on by watching the connections of the short post to the side rail. Stay as close as possible to the centre to keep post plumb.

Tighten stair sections from the inside out and from the top down. Always level the bottom step before tightening the outside side rail splice. Use the slotted connection on the outside side rail to adjust steps for even fan pattern. Tighten all connections.

## ATTACH STAIR SECTIONS

1. Attach the A-frame to the bottom of the side rail using the top hole on the short post and the top hole (of the two) in the baluster post directly above the wall cross. After jacking the bin the A-frame will fit into place and be ready to attach the bin wall.
2. The bin wall brackets call for one bolt at the top and bottom of the bracket on the horizontal bolt seam (see layout section for attachment bolt spacing info).
3. When attaching MB4400 stair sections, use the same procedure as the stair section on the platform, except level the middle step and tighten the upper splice.
4. Level the bottom step and tighten the middle splice. MB4400 wall brackets are spaced 4 bolt spaces, or 37 1/2" around the bin.

## ASSEMBLY AND FINISHING OF BOTTOM SECTION

1. Attach MB0026 bottom knee brace to the rear inside hole of the bottom step
2. Attach the other end of the MB0026 to the MB0002 wall cross in the hole that would normally have a knee brace as pictured above.

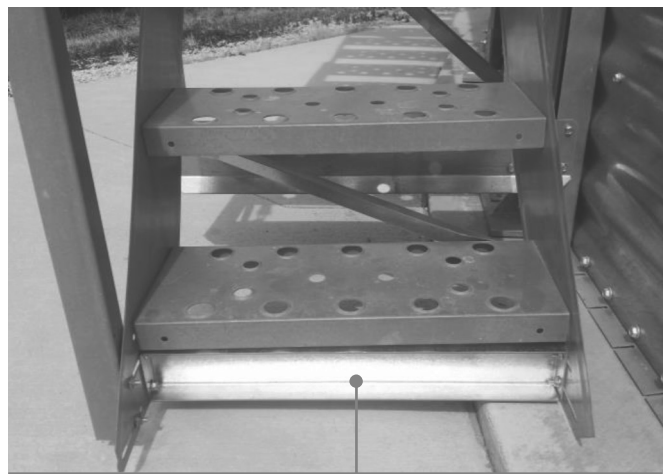
NOTE: On some bin diameters this may not work. If the stair system has to be severely deformed to use the hole, drill the hole to allow for connection.

3. Attach the MB0024 bottom brace bracket to the inside and outside side rails under the bottom step so to not be in the walk path when coming off the step.
4. On bins with a rolled flange bottom ring, it may be necessary to move the bottom brace up to the step bolts for the upper holes.
5. If possible, attach the bottom post to the bottom brace bracket. If that causes the post to be misaligned with the hand and intermediate rails, then attaching them separately to the outside side rail will be adequate.



MB-026

Bottom Knee Brace



MB-024

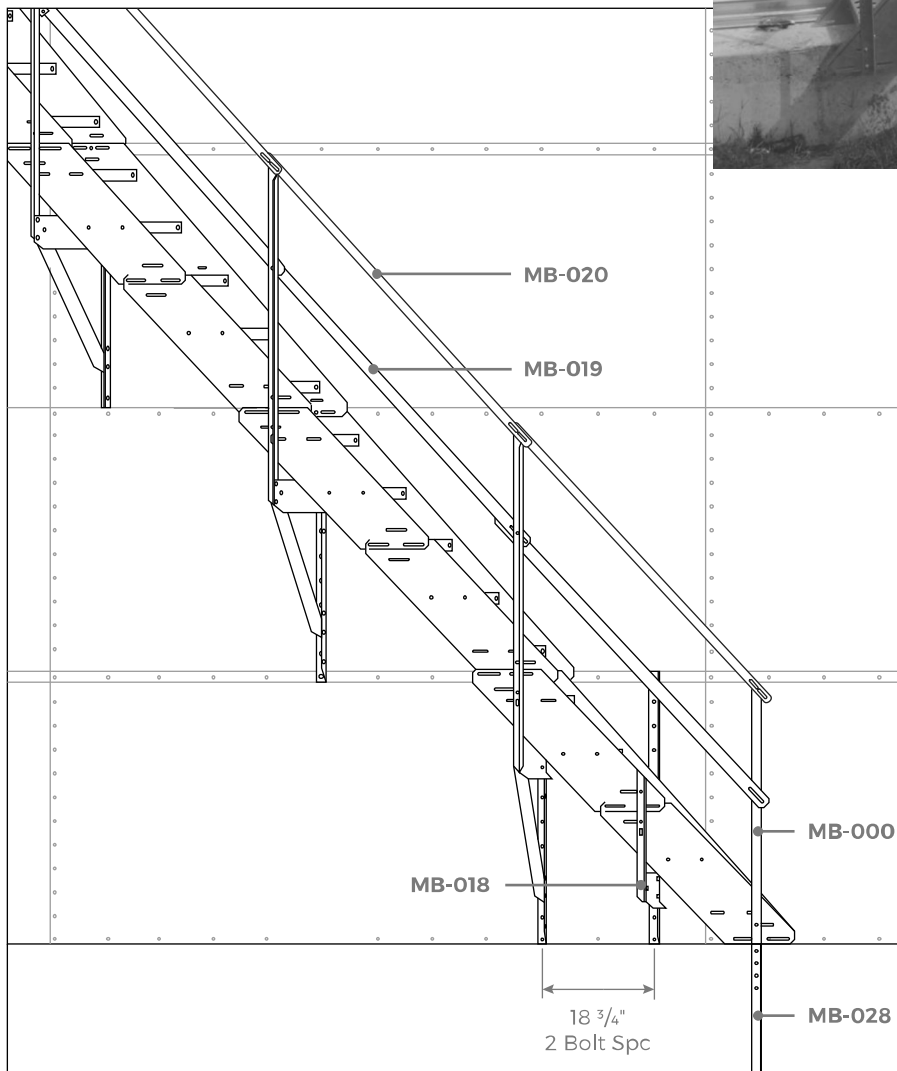
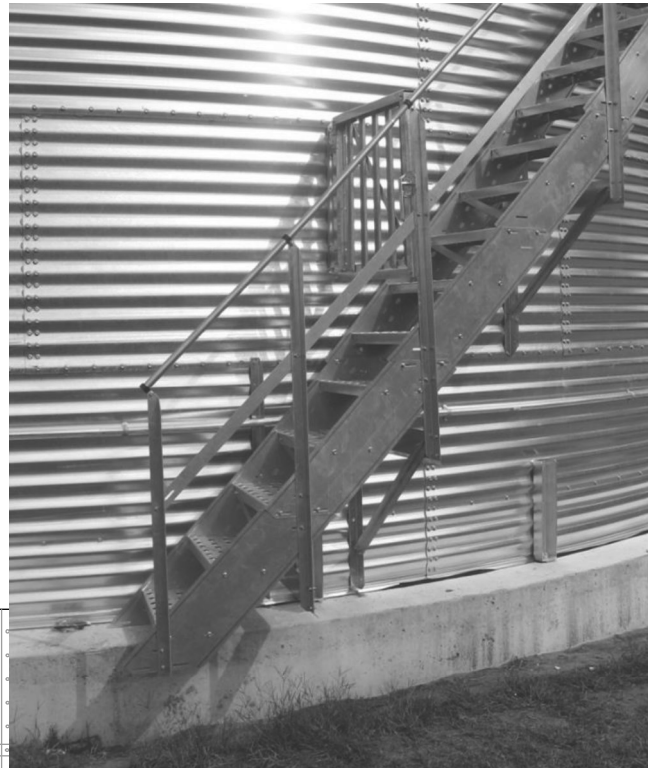
Bottom Brace Bracket

**ATTACH BOTTOM SECTION**

The bottom section uses a special configuration of the A-frame. For assembly, see the A-frame drawing. It attaches in the middle of the stair section and it is two bolt spaces, or 18 3/4" +/- from the last wall mount.

There is a baluster post, bottom brace bracket, and bottom knee brace included with the platform that attaches to the bottom of the bottom section. This allows the hand rail to end at the bottom of the stairs and braces the bottom two steps and post.

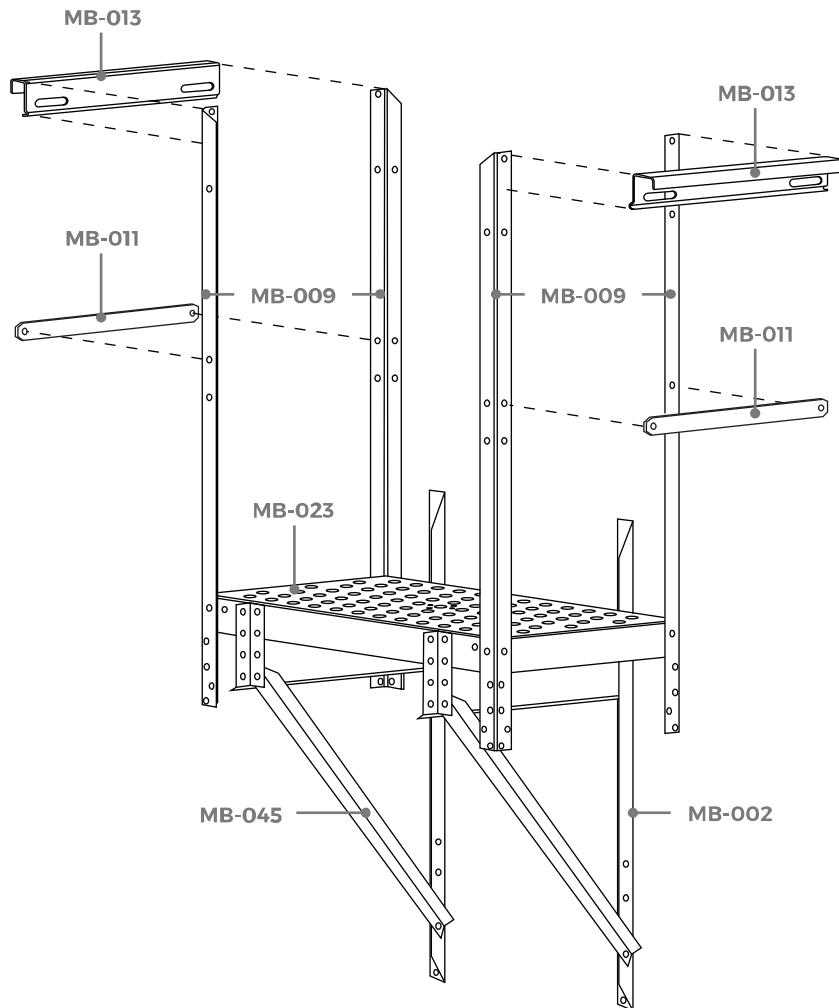
Gate (optional equipment)



**ATTACH HANDRAIL**

Shape the handrail according to the circumference of the bin and attach them to the baluster posts. Intermediate rails bolt on the posts through the slots and are to be entered between each baluster post.





**TWIN PLATFORM** (OPTIONAL EQUIPMENT)

On standard 32" and 44" bin sheets the platform Wall Brackets will attach 4 bolts (35.5") apart. Attach Wall Bracket to bin. In the lowest hole of the Wall Bracket attach Knee Braces.

Assemble Platform.

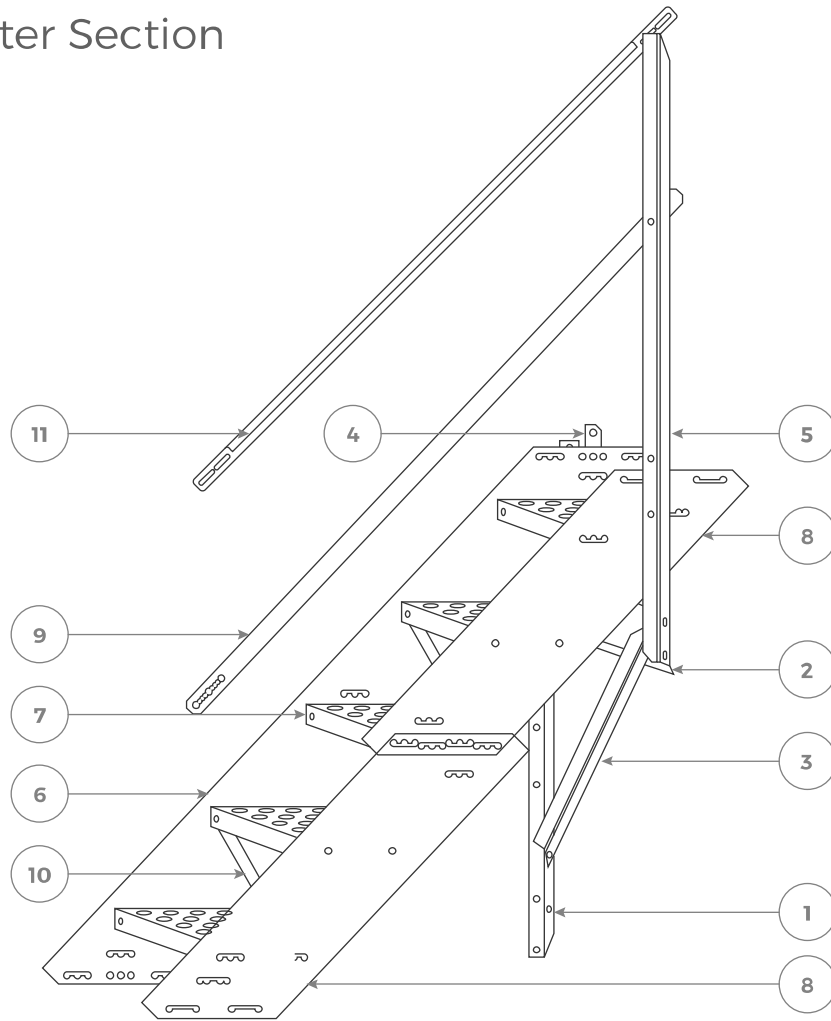
On the Platform skin, attach Posts to corners as shown. Attach Platform to Wall Brackets using the holes in the post under the platform skin and the bottom hole of the Post to the Wall Brackets.

Attache Knee Braces to the 2nd and 3rd holes from the bottom of the Posts.

Attach Handrail on the outside of the Posts. Tighten Platform.

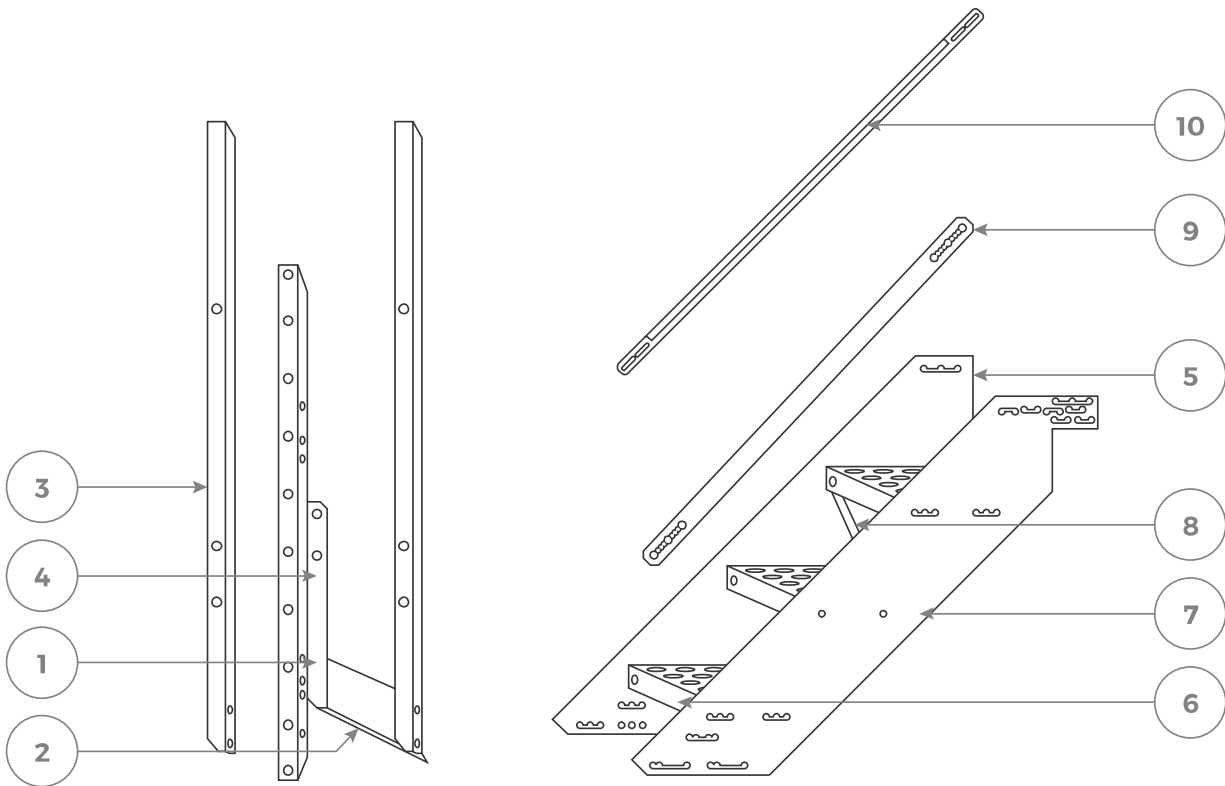
Twin bin spacing must be 64-68" between bins.

# Center Section



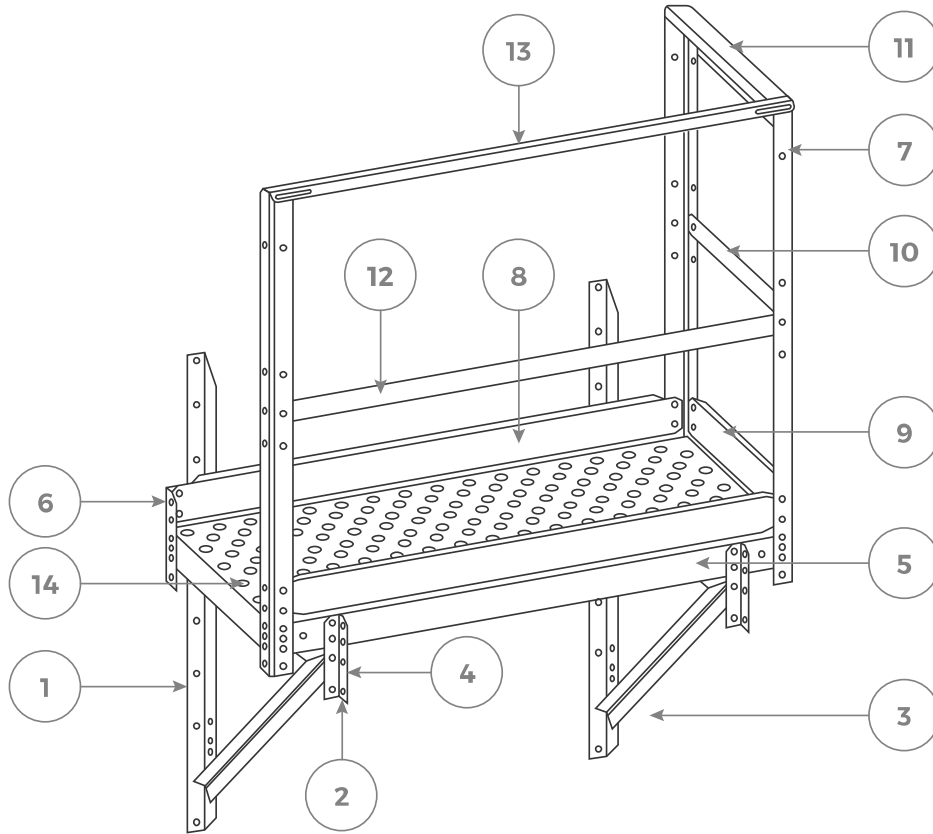
PARTS LIST			
ITEM	QTY	PART NUMBER	DESCRIPTION
1	1	MB-002	Wall Brace 45.5 x 4 x 14 ga
2	1	MB-003	Wall Cross 32 x 6 x 14 ga
3	1	MB-045	Knee Brace 37.25 x 3 x 12 ga
4	1	MB-021	Short Post 18.5 x 3 x 12 ga
5	1	MB-001	Post 57.25 x 3.5 x 12 ga
6	1	MB-005	45 Inside Siderail 67 x 10 x 14 ga
7	5	MB-007	Stair Step 27.5 x 11.5 x 16 ga
8	2	MB-006	Siderail
9	1	MB-019	45 Inter Handrail 66 x 2 x 12 ga
10	2	MB-022	45 Step Tie 23.5 x 1.5 x 16 ga
11	1	MB-020	S 45 Handrail 68 x 1 id swage 11

# Stairs to Platform Top Connection



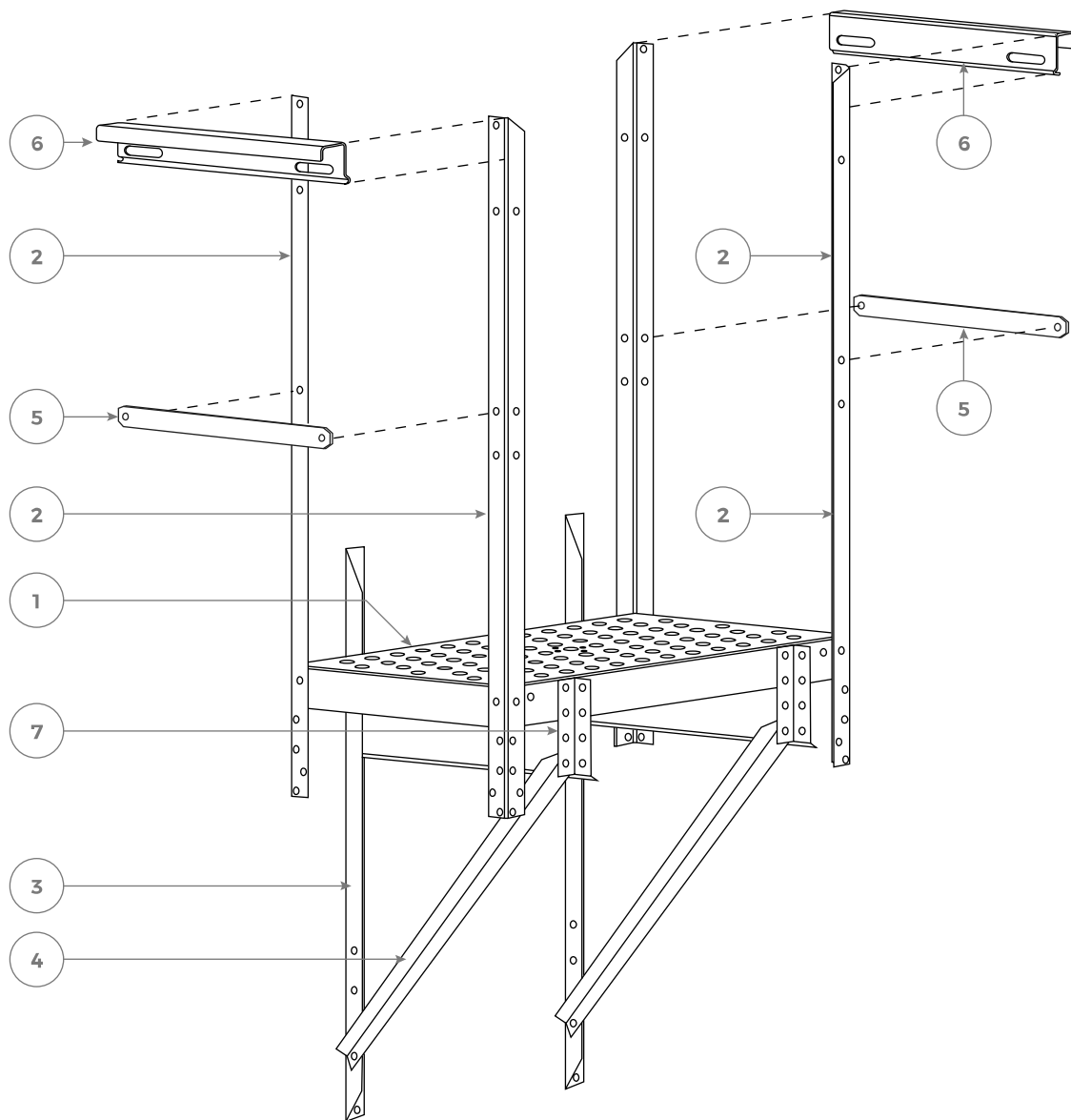
PARTS LIST			
ITEM	QTY	PART NUMBER	DESCRIPTION
1	1	MB-002	Wall Brace 45.5 x 4 x 14 ga
2	1	MB-003	Wall Cross 32 x 6 x 14 ga
3	2	MB-001	Post 57.25 x 3.5 x 12 ga
4	1	MB-021	Short Post 18.5 x 3 x 12 ga
5	1	MB-032	Inner Plat Siderail
6	3	MB-033	Stair Step
7	1	MB-037	Outer Plat Siderail
8	1	MB-022	45 Step Tie 23.5 x 1.5 x 16 ga
9	1	MB-030	Inter Handrail
10	1	MB-031	Handrail

# Platform Section



PARTS LIST			
ITEM	QTY	PART NUMBER	DESCRIPTION
1	2	MB-002	Wall Brace 45.5 x 4 x 14 ga
2	2	MB-003	Wall Cross 32 x 6 x 14 ga
3	2	MB-045	Knee Brace 37.25 x 3 x 12 ga
4	4	MB-029	Platform Mount Post 8 x 3 x 14 ga
5	1	MB-023	Platform Skin 56.25 x 30 x 16 ga
6	1	MB-025	Platform Short Post 9.25 x 4 x 14 ga
7	3	MB-009	Platform Post 47 x 4 x 12 ga
8	2	MB-014	Plat Side Kickboard 49.5 x 5 x 14 ga
9	1	MB-015	Plat End Kickboard 23 x 5 x 16 ga
10	1	MB-011	Platform End Int Rail 23.5 x 12 x 12 ga
11	1	MB-013	Platform End Handrail 1" id x 23.5
12	1	MB-010	Platform Side Int Rail 50 x 2 x 12 ga
13	1	MB-012	Platform Side Handrail 1" id x 50"
14	1	MB-003	Platform Mid Brace 23.5 x 3.75 x 14 ga

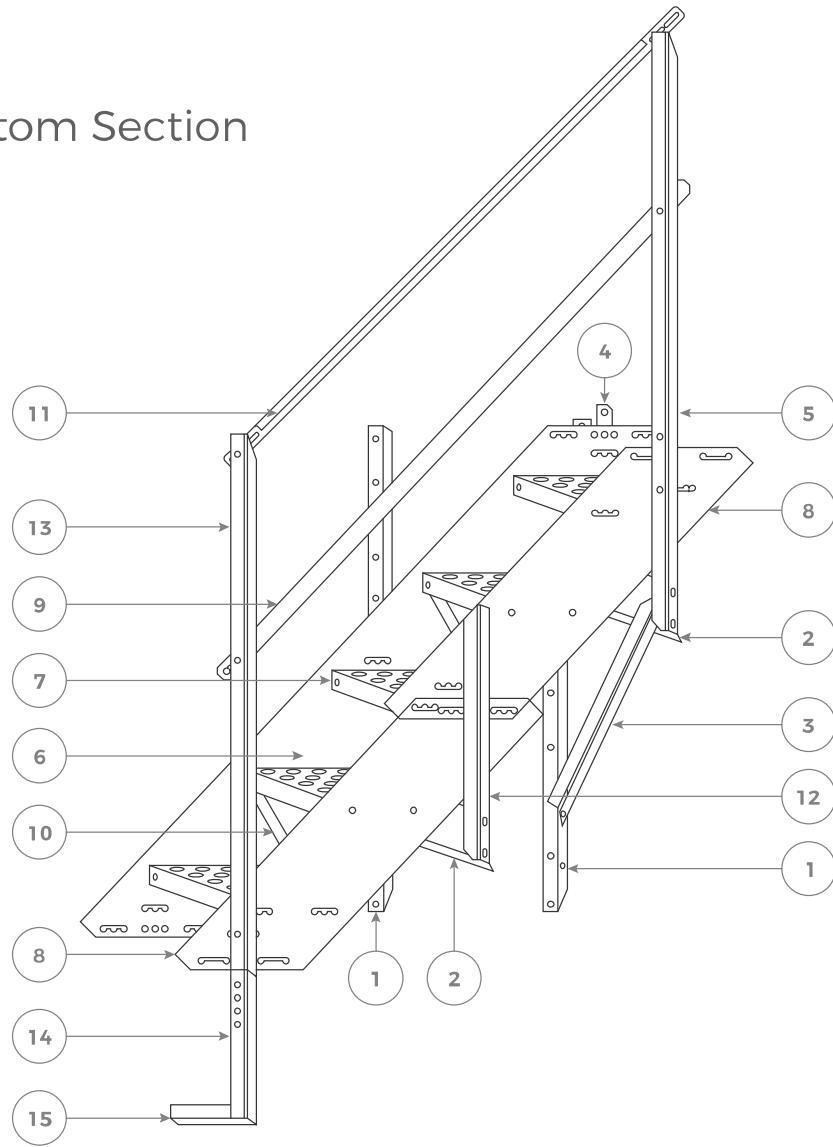
# Twin Platform



## PARTS LIST

ITEM	QTY	PART NUMBER	DESCRIPTION
1	1	MB-003 Platform Mid Brace	23.5 x 3.75 x 14 ga
2	4	MB-009 Platform Post	
3	2	MB-002 Platform Wall Bracket	
4	2	MB-045 Kneebrace	37.25 x 3 x 12 ga
5	2	MB-011 Platform Side Int Rail	23.5 x 12 x 12 ga
6	2	MB-013 Platform End Int Rail	1" id x 23.5
7	4	MB-029 Platform Mount Post	8 x 3 x 14 ga

# Bottom Section



PARTS LIST			
ITEM	QTY	PART NUMBER	DESCRIPTION
1	2	MB-002	Wall Brace 45.5 x 4 x 14 ga
2	2	MB-003	Wall Cross 32 x 6 x 14 ga
3	1	MB-045	Knee Brace 37.25 x 3 x 12 ga
4	1	MB-021	Short Post 18.5 x 3 x 12 ga
5	1	MB-001	Post 57.25 x 3.5 x 12 ga
6	1	MB-005	45 Inside Siderail 67 x 10 x 14 ga
7	5	MB-007	Stair Step 27.5 x 11.5 x 16 ga
8	2	MB-006	Siderail
9	1	MB-019	45 Inter Handrail 66 x 2 x 12 ga
10	2	MB-022	45 Step Tie 23.5 x 1.5 x 16 ga
11	1	MB-020	S 45 Handrail 68 x 1 id swage 11
12	1	MB-018	Base Support Post
13	1	MB-000	Base Post A
14	1	MB-028	Base Post B
15	1	MB-040	Base Pad