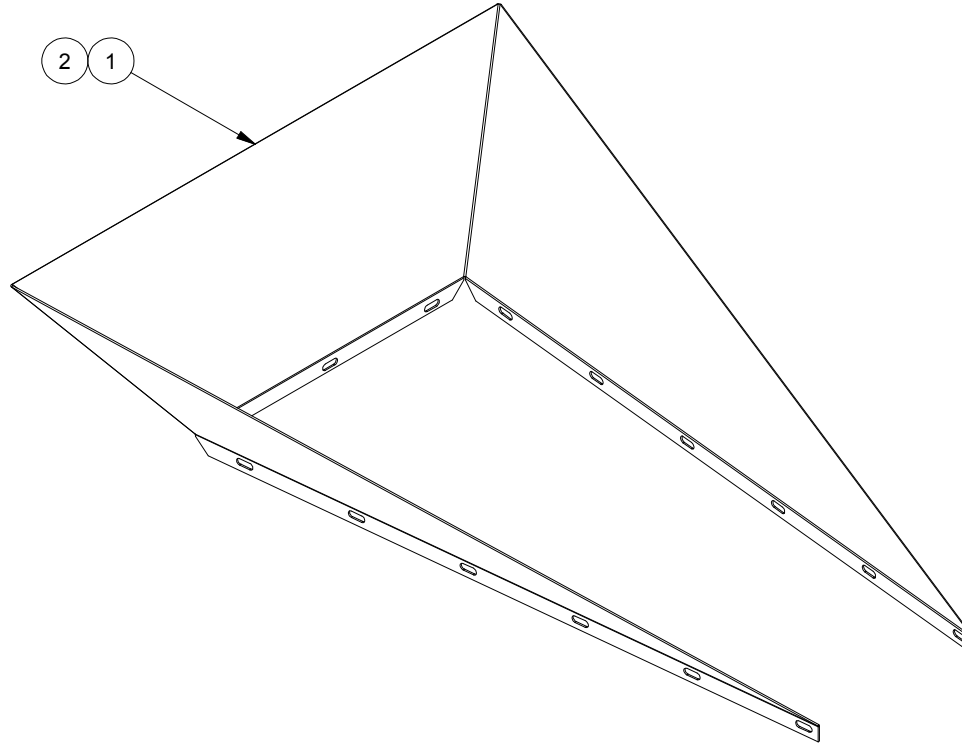



PARTS LIST			
ITEM	QTY	PART NUMBER	DESCRIPTION
1	1	20923	BRAKE - STEEL HOPPER
2	1	N/A	PAINT - POWDER RED



REVISION HISTORY					
REV	DESCRIPTION	PUSH/ECO	BY	CHECKED	DATE
A	NEW PART	-	D.Y.A.		2016-02-12

UNLESS OTHERWISE SPECIFIED: DIMENSIONS ARE IN INCHES. TOLERANCES:			 www.meridianmfg.com	MODEL	DATE
DECIMALS	FRACTIONS	ANGULAR		D.Y.A.	2016-02-12
.X ± .03	± 1/16	1°	DRAWN	DATE	
.XX ± .015		MACHINED:	D.Y.A.	2016-02-12	
.XXX ± .005		± .5°	DESCRIPTION UNDERBIN STEEL HOPPER		
REMOVE ALL BURRS BREAK SHARP EDGES .030 MAX DIMS & TOLS IAW ASME Y14.5-2009			MATERIAL		WEIGHT 13.321 lbmass
			DWG NUMBER 20924		REV A
			SCALE 1/8	SIZE A	SHEET 1 of 1