

NEW

# X5

TIER 4 FINAL

35 - 45 - 55



**MCCORMICK**









# NEW McCORMICK

## X5.35

## X5.45

## X5.55

# PERFECT ALL AROUND

Each McCormick tractor reflects the passion and dedication of those involved in designing, testing and producing this incredible line-up of tractors. The NEW tier 4 final X5 Series tractors have no equal on the market for simplicity, versatility, cost-effectiveness and ease of maintenance.

The X5 is the new generation of McCormick's utility tractors. Designed with versatility in mind, the X5 will allow farmers to carry out in complete safety a variety of tasks both in the field and on the farm, from tillage and haymaking, to loader work, to barn management activities. Engineered and built to handle all daily operations on the farm with total reliability and maximum comfort, the X5 tractor is the perfect choice for medium-scale farms and utility operations.

The name McCormick has always stood for innovation. Choosing McCormick means you can count on a reliable partner that gives you state-of-the-art technology and unmatched versatility without compromising on simplicity.

**McCORMICK**



## HIGHLIGHTS

- › Manufactured, Designed, and Engineered by McCormick.
- › 3.6L, 4-cylinder DEUTZ AG Engine
- › Versatile Transmission capable of up to 48 speeds
- › Hydraulic Power Shuttle with shuttle modulation control
- › Push-Button 4WD Front Axle
- › Heavy Lifting 3-Point Hitch
- › Large 4-Post Cab with True Flat Foot Deck and Air Seat
- › Open Center Hydraulic System
- › 24.3gpm (92 lpm) Superior Hydraulic System
- › Instructor's Seat standard
- › 25 mph (40 kph) Transport Speed
- › Fully locking front and rear differentials
- › Digital Front Dash Display
- › 540 and 1000 speed PTO standard equipment

MODEL	MAX HP	MAX PTO HP
<b>X5.35</b>	99	76
<b>X5.45</b>	106	82
<b>X5.55</b>	110	87





## HOOD DESIGN

FAMILY STYLE

## CAB

EXCEPTIONAL  
VISIBILITY

## ENGINE

DEUTZ AG  
3.6L, 4-CYLINDER

## REAR HITCH

9,920 LB LIFT  
(4,500 KG)



## FRONT AXLE

4-WHEEL DRIVE  
4-WHEEL BRAKING

## TRANSMISSION

HYDRAULIC POWER  
SHUTTLE

## REAR PTO

540/1000

**MCCORMICK**



## DELUXE SLIM CAB: PLENTY OF ROOM FOR ULTIMATE COMFORT

Specially designed for the X5 tractor range, the Deluxe Slim cab helps reduce operator stress and fatigue during long working days. Spacious and perfectly soundproofed, the cab interior features an automotive-grade fit and finish with soft-touch, easy-clean materials.

A highly efficient heating, ventilation and air conditioning system, conveniently built into the low-profile cab roof, maintains a comfortable working environment whatever the outdoor weather conditions.

The front and rear windshields can be opened to provide natural ventilation. With its superb all-round visibility, the Deluxe Slim cab makes maneuvering tight spaces and headlands easier and safer, while the transparent roof hatch provides extra visibility for loader operations.



### HIGHLIGHTS

- › McCormick's latest design with a contemporary look
- › Telescopic steering wheel tilting with instrument panel
- › Highly-efficient climate control from the roof-integrated air-conditioning system
- › Opening transparent roof hatch for extra visibility during front loader operations
- › Four work lights for proper illumination during night work







**MCCORMICK**

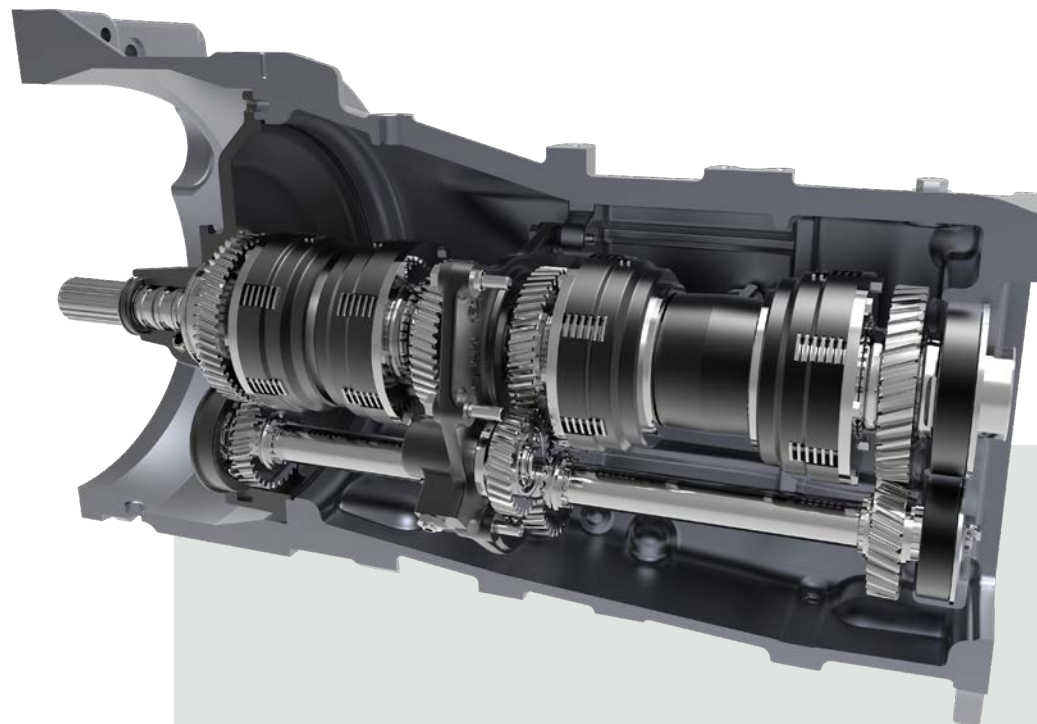


## A TRANSMISSION YOU CAN RELY ON

Designed with versatility in mind, the **X5** tractor can be customized by choosing from a variety of transmission configurations designed to offer tailored solutions for each farmer's specific needs. All McCormick transmissions share a distinctive feature: they are derived from higher-class machines and are designed to provide top-notch performance combined with extended life and superior reliability under all operating conditions.

### CHOICE OF TRANSMISSION

A variety of transmission configurations allow the **X5** to better meet the specific needs of each farm, further enhancing the tractor versatility. All models are built standard with 4 gears and 3 ranges for a 12x12 speed transmission and hydraulic power shuttle. Optional transmissions include 32x32 speeds with creeper gear and 2-speed power shift, or a 48x16 speeds with creeper gear and 3-speed powershift.



The De-clutch button and the power shuttle allow the operator to shift through all gears and change from forward to reverse without using the clutch pedal. The shuttle response is electronically modulated and adjustable by the operator if required for different tasks.

Both the optional 32x32 and 48x16 speed transmissions include a creeper gear set. This creeper range enables the **X5** to reach speeds as low as 0.19mph (0.31 kph)



# DEUTZ AG ENGINE: YOUR TRUSTED WORKMATE

The three models of the X5 Series are all powered by cutting-edge Deutz AG 3.6L four-cylinder turbo engines with multivalve technology, intercooler and common rail injection system. These innovative engines meet Tier 4 emissions regulations using a diesel oxidation catalyst (DOC), selective catalytic reduction (SCR), and a clean up catalyst (CUC).

## FUEL ECONOMY

The Deutz AG engines that power the X5 standard series are equipped with common rail fuel injection, a computerized system that provides a precisely measured amount of fuel to the engine, thereby reducing consumption while maximizing performance. Fuel efficiency is further enhanced with the Engine Memo Switch, a device that allows the operator to store and recall the engine speed most suited to the implement used. The X5 tractor is equipped with a 31.7 gallon (120 liter) fuel tank for extended operation without refuelling.

## SCR + DOC + CUC EMISSIONS SYSTEM

The SCR technology, or Selective Catalytic Reduction, utilizes Adblue® fluid to reduce engine exhaust emissions. The fluid is injected from a dedicated tank into the exhaust system and then conveyed to the SCR system where it reacts with exhaust gases, thereby reducing significantly the NOx emissions.

The SCR system, used in conjunction with a DOC catalytic converter – a passive diesel oxidation catalyst that reduces primary pollutants – ensures compliance with the Tier 4 emissions regulations without the need for a Diesel Particulate Filter (DPF).









# McCORMICK X5, BUILT FOR EFFICIENCY

## **Fuel Economy**

The McCormick **X5** has ultra low fuel consumption for the power developed. This is due to the lack of an exhaust gas regeneration system and to the presence of the Engine Memo Switch, a device that allows operator to store and recall the engine speed most suited to the implement used.

## **Easy Maintenance**

All main components are quick and simple to check and maintain and can be easily accessed by simply raising the hood of the **X5**. Also, service intervals are extended and all major maintenance operations can be carried out quickly without removing any parts.

## **Minimal Compaction**

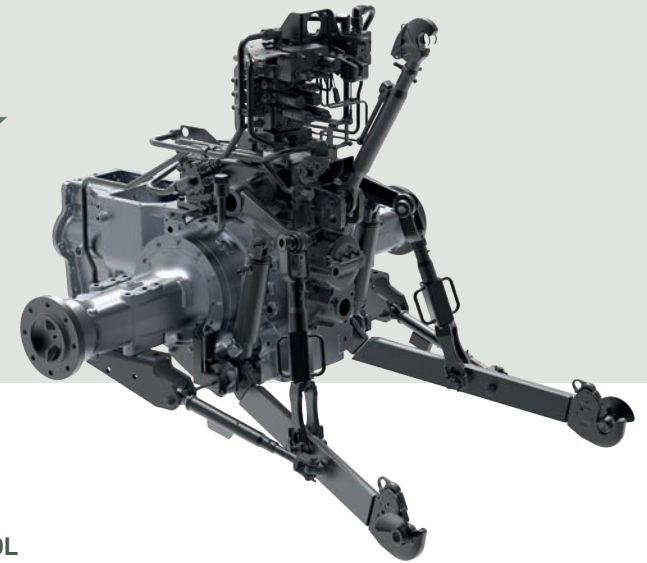
The **X5** minimizes soil compaction through proper weight distribution: 45% in the front and 55% to the rear. This optimum weight distribution between the two axles makes the **X5** the best balanced tractor in its power class.

## **Performance Four-Wheel Drive**

The Spring-on system is designed to provide powerful, efficient four-wheel drive in any situation, thereby preventing slippage and allowing greater concentration on the task in hand.



# GREATER PRODUCTIVITY FOR ADDED SATISFACTION



## CHOICE OF CONTROL

The X5 series tractors come standard with a mechanically-controlled rear hitch that guarantees precise implement operation.

The optional electronically-controlled rear hitch features ergonomically-designed easy-to-use controls and is equipped with lower link draft sensing for precise implement control.

The three-point hitch is Category II and offers a maximum lift capacity of 9,920 lbs (4500 kg). External hitch controls are located on the rear fenders making it easier to attach implements from the ground.

## TWO- OR FOUR-SPEED PTO

The rear PTO offers two speeds: 540/540 rpm or 540/1000 rpm. A four-speed PTO providing 540/540Ee/1000/1000E rpm is also available as an option. A hydraulically operated clutch enables smooth and modulated engagement of the PTO, ensuring a soft start-up of the implement. Groundspeed PTO is also available as an option. External PTO controls are located on the rear fenders making it easier to attach implements from the ground.





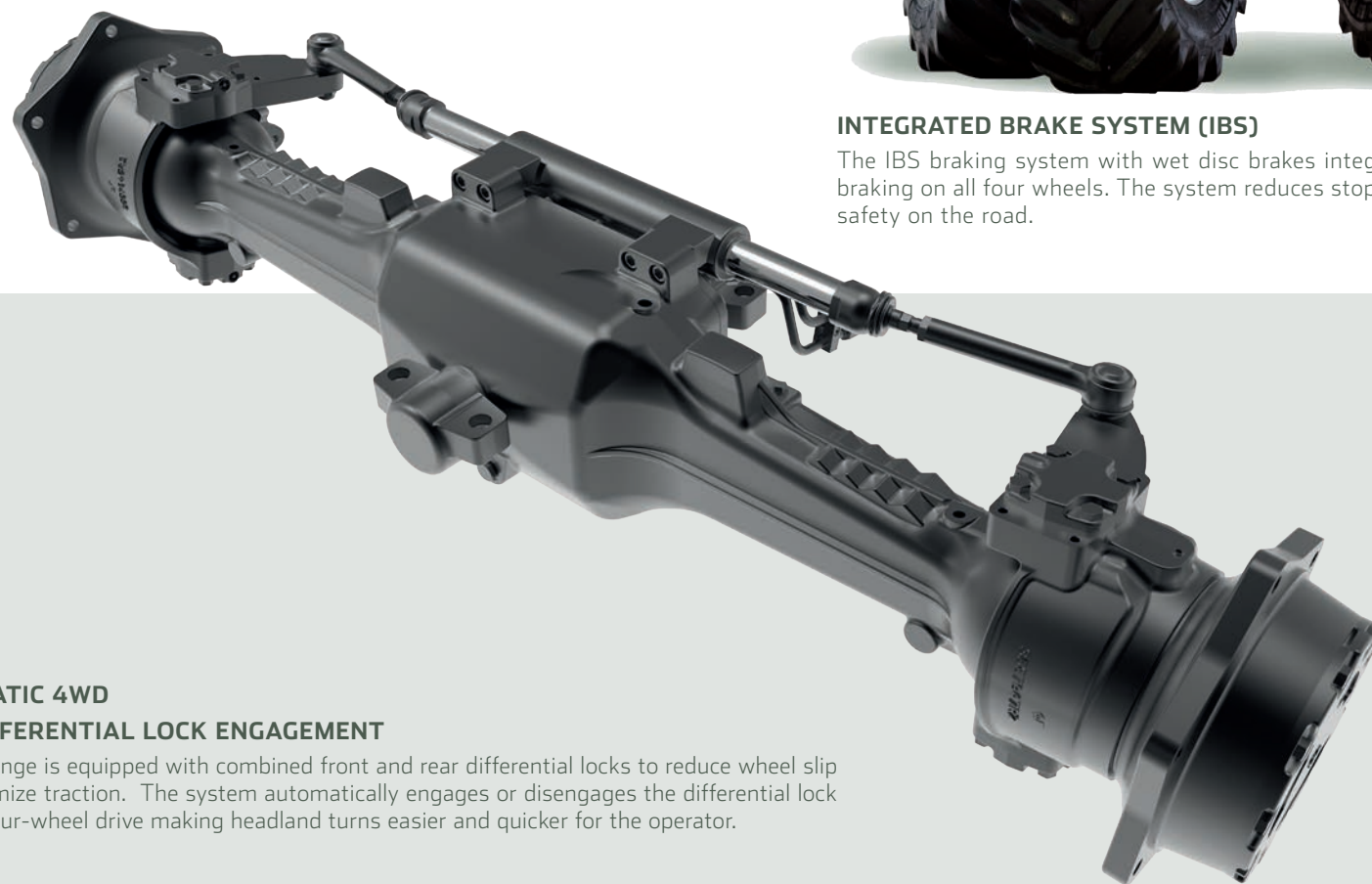
## Power, control and simplicity for best performance

The X5 series offers outstanding traction and maneuverability ensuring optimum grip and stability on all terrains for superior driving comfort. The rugged front axle is equipped with fully locking differential and electro-hydraulic four-wheel drive engagement. This ensures maximum efficiency and safety in any condition, including when working with a front loader. The rear axle is sturdy and reliable. With its large front axle swing, its excellent ground clearance and a steering angle of 55 degrees, the X5 tractor is highly maneuverable in any situation, while the power steering delivers smooth steering control even at low engine rpm.



### INTEGRATED BRAKE SYSTEM (IBS)

The IBS braking system with wet disc brakes integrated into the front axle provides efficient braking on all four wheels. The system reduces stopping distances by 50% ensuring maximum safety on the road.



### AUTOMATIC 4WD AND DIFFERENTIAL LOCK ENGAGEMENT

The X5 range is equipped with combined front and rear differential locks to reduce wheel slip and maximize traction. The system automatically engages or disengages the differential lock and the four-wheel drive making headland turns easier and quicker for the operator.



# HIGH-PERFORMANCE HYDRAULIC SYSTEM

The X5 tractor range features an open-center hydraulic system with a total flow of 24.3gpm (62 l/min) allowing efficient operation of all hydraulic functions. A dedicated pump to the steering system ensuring smooth and precise turning in any conditions for enhanced operator comfort and productivity.

Three types of mechanically operated remote valves are available that can work in combination to suit different application needs:

- **Standard:** double-acting
- **Float:** for implements that follow the contour of the ground
- **Hydraulic motor:** for the use of hydraulic motors

High-quality quick-release couplings, conveniently fitted on the rear of the tractor, allow quick and easy connection/disconnection of hydraulic lines for fast operation.



Loader Model		L31	L36	L41	L46	X31	X36	X41	X46
Loader Type (Euro Hook Tool Carrier)		Non-Self Leveling	Self Leveling	Non-Self Leveling	Self Leveling	Non-Self Leveling	Self Leveling	Non-Self Leveling	Self Leveling
Max. Lift Height At Pivot Pin	in (mm)	139.8 (3550)	139.8 (3790)	149 (3790)	149 (3790)	136 (3454)	136 (3454)	148 (3759)	148 (3759)
Lift Capacity to Max. Height 31.5" (800 mm) Fwd of Pivot	lb (kg)	2,760 (1250)	3,420 (1551)	3,440 (1560)	4,230 (1918)	2,140 (970)	3,340 (1514)	2,220 (1006)	3,500 (1587)
Breakout Force at Ground Level 31.5" (800 mm) Fwd of Pivot	lb (kg)	3,950 (1791)	3,590 (1628)	4,870 (2208)	4,390 (1991)	3,540 (1605)	3,660 (1660)	3,900 (1769)	4,080 (1850)
Bucket Rollback Force at Ground Level 31.5" (800 mm) Fwd of Pivot	lb (kg)	5,360 (2431)	5,270 (2390)	7,740 (3510)	7,410 (3361)	4,220 (1914)	4,180 (1896)	5,070 (2299)	5,030 (2281)



Tractor Model		X5.35	X5.45	X5.55
<b>Engine</b>				
Max Engine HP @ 2000 RPM	HP (kW)	99 (73)	106 (78)	110 (81)
Max PTO HP @ 2000 RPM	HP (kW)	76 (56)	82 (60)	87 (64)
Engine Type	DEUTZ® AG liquid cooled diesel engine; Tier 4 Final using DOC + SCR + CUC			
Engine Size	3.6 Liter, 4-cylinder			
Fuel Capacity	gal (liter)	31.7 (120)		
<b>Drive Train</b>				
Standard Transmission	12 x 12 speeds (3 range, 4 gear); hydraulic power shuttle			
Optional Transmission (1)	32 x 32 speeds; hydraulic power shuttle, 2-speed power-shift, creeper gear			
Optional Transmission (2)	48 x 16 speeds; hydraulic power shuttle, 3-speed power-shift, creeper gear			
Brakes	Heavy duty wet multi-disc brakes			
Differential Lock	Twin-lock electrohydraulic differential lock			
4wd Front Axle	Electro-hydraulic engagement with integrated front axle brakes			
<b>Hydraulics, 3-point Hitch, PTO</b>				
Hydraulic System	gpm (lpm)	Open center system; 16.4 (62) dedicated implement pump + 7.9 (30) dedicated steering pump		
Rear Remote Valves	3 Valves			
Standard Rear 3-point Hitch Type	Category 2 with telescopic ball ends; mechanical lift control			
Optional Rear 3-point Hitch Type	Category 2 with quick attach hook ends; electronic lift control			
Rear 3-point Lift Capacity	lb (kg)	9,920 (4500)		
Rear PTO	2 Speed (540/1000 rpm) standard; Optional 4 speed (540/540E/1000/1000E); Groundspeed PTO optional			
<b>Operator's Area</b>				
Cab	Deluxe 4 post cab, true flat deck, radio system, sound-isolating block mounting, instructor's seat			
Seat and Front Dash	Deluxe air suspension seat; tilt and telescopic steering wheel			
Wheelbase	in (mm)	92.7 (2,355)		
Height Over Cab	in (mm)	103 (2,615)		
Base Weight without ballast	lb (kg)	8,598 (3,900)		
Gross Vehicle Weight	lb (kg)	15,432 (7,000)		

\*Manufacturer's calculated estimates. +/- 5% tolerance.





McCormick North America  
[www.McCormickNA.com](http://www.McCormickNA.com)

updated: 03.10.2020

