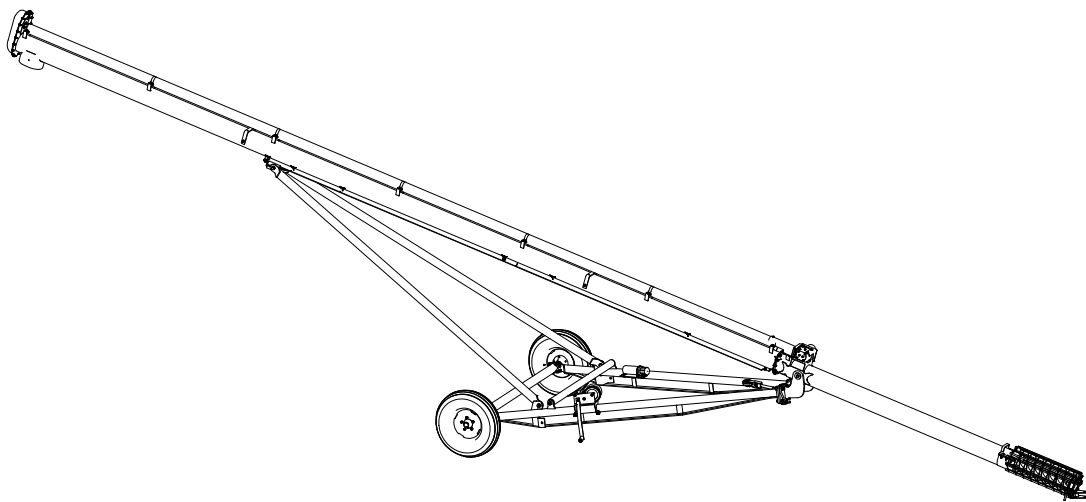


# Farm King

## OPERATOR AND PARTS MANUAL

### **CX** **SERIES CONVENTIONAL AUGER**

Models 841, 851, 861, 1041, 1051, 1061





## ECO CHANGE LOG

ECO	DATE ISSUED	PRODUCT	MANUAL AFFECTED	MANUAL UPDATED
18-005	1/11/2018	CX2	Y	7/29/2020
18-052	5/24/2018	CA, CX2	Y	7/29/2020
18-066	7/7/2018	CA,CX,CX2	Y	7/29/2020
18-076	8/17/2018	CX2	N	-
18-107	10/16/2018	CX2	Y	7/29/2020
19-008	2/7/2019	CX2, C13	Y	7/29/2020
19-013	2/25/2019	CX2	Y	7/29/2020
19-017	2/26/2019	CX2	Y	7/29/2020
19-020	3/14/2019	CX2	Y	7/29/2020
19-029	4/23/2019	CX2	Y	7/29/2020
19-065	8/29/2019	CX2	N	-
19-070	9/18/2019	CX2	Y	7/29/2020
19-072	9/23/2019	CX2	Y	8/11/2020
19-094	12/6/2019	CX2	Y	8/21/2020
20-017	2/27/2020	CX2	Y	8/21/2020
20-041	4/28/2020	CX2	N	-
20-042	4/29/2020	CX2	Y	8/21/2020
20-050	6/15/2020	CX2	Y	8/21/2020

# Farm King



## TABLE OF CONTENTS

**Manufacturer's Statement:** For technical reasons, Farm King reserves the right to modify machinery design and specifications provided herein without any preliminary notice. Information provided herein is of descriptive nature. Performance quality may depend on soil fertility, applied agricultural techniques, weather conditions, and other factors.

WARRANTY REGISTRATION FORM.....	3
INTRODUCTION.....	5
SAFETY.....	11
ASSEMBLY.....	27
OPERATION.....	81
MAINTENANCE.....	95
PARTS IDENTIFICATION.....	105
SPECIFICATIONS.....	199
WARRANTY.....	207

# Farm King



## WARRANTY REGISTRATION FORM

**This form must be filled out by the dealer and signed by both the dealer and the customer at the time of delivery.**

Customer Name:	
Customer Address:	
City:	Prov / State:
Postal / Zip Code:	Phone:

Dealer Name:	
Dealer Address:	
City:	Prov / State:
Postal / Zip Code:	Phone:

Auger Model:	Serial Number:	Delivery Date:
--------------	----------------	----------------

I have thoroughly instructed the buyer on the above described equipment which review included the Operator and Parts Manual content, equipment care, adjustments, safe operation and applicable warranty policy.

**Dealer Inspection Report**

- Bearings Turn Freely
- Belt Tension Checked
- Auger Tube Is Straight
- Flighting Turns Freely
- Gear Box Oil Level Checked
- All Fasteners Are Tight
- Machine Is Lubricated
- Check Tire Pressure

**Safety**

- All Lights And Reflectors Installed
- All Lights And Reflectors Cleaned And Working
- Safety Chain On Hitch
- All Decals Installed
- Guards And Shields Installed And Secure
- Review Operating And Safety Instructions
- Check For Hydraulic Leaks

Date:	Dealer Rep. Signature:
-------	------------------------

The above equipment and Operator And Parts Manual have been received by me and I have been thoroughly instructed as to care, adjustments, safe operation and applicable warranty policy.

Date:	Customer / Owner Signature:
-------	-----------------------------

**Remove this Warranty Registration Form from the Operator And Parts Manual. Make two copies of the form. Send original Warranty Registration Form to Farm King. Give one copy to the customer and the dealer will keep one copy.**

# Farm King





## INTRODUCTION

This Operator And Parts Manual was written to give the owner / operator instructions on the safe operation, maintenance and part identification of the Farm King equipment. READ AND UNDERSTAND THIS OPERATOR AND PARTS MANUAL BEFORE OPERATING YOUR FARM KING EQUIPMENT. If you have any questions, see your Farm King dealer. This manual may illustrate options and accessories not installed on your Farm King equipment.

OWNER'S INFORMATION..... 7

    Serial Number Location..... 7

    Manual Storage..... 7

EQUIPMENT IDENTIFICATION..... 8

    Component Location..... 8

# Farm King



## OWNER'S INFORMATION

Thank you for your decision to purchase a Farm King CX2 Conventional Auger. To ensure maximum performance of your equipment, it is mandatory that you thoroughly study the Operator And Parts Manual and follow the recommendations. Proper operation and maintenance are essential to maximize equipment life and prevent personal injury.

Operate and maintain this equipment in a safe manner and in accordance with all applicable local, state, and federal codes, regulations and / or laws. Follow all on-product labeling and instructions.

Make sure that all personnel have read this Operator And Parts Manual and thoroughly understand safe and correct operating, installation and maintenance procedures.

Farm King is continually working to improve its products. Farm King reserves the right to make any improvements or changes as deemed practical and possible without incurring any responsibility or obligation to make any changes or additions to equipment sold previously.

Although great care has been taken to ensure the accuracy of this publication, Farm King makes no warranty or guarantee of any kind, written or expressed, implied or otherwise with regard to the information contained within this manual. Farm King assumes no responsibility for any errors that may appear in this manual and shall not be liable under any circumstances for incidental, consequential or punitive damages in connection with, or arising from the use of this manual.

Keep this manual available for frequent reference. All new operators or owners must review the manual before using the equipment and annually thereafter. Contact your Farm King Dealer if you need assistance, information, or additional copies of the manual.

Visit our website at [www.farm-king.com](http://www.farm-king.com) for a complete list of dealers in your area.

The directions left, right, front and rear, as mentioned throughout this manual, are as viewed by the operator sitting in the tractor seat while towing the implement.

## Serial Number Location

Please enter the model and serial number in the space provided for easy reference.

**Figure 1**



<b>Model Number:</b>
<b>Serial Number:</b>

The serial number plate (Item 1) [Figure 1] is located on the intake tube.

Always use your serial number when requesting information or when ordering parts.

## Manual Storage

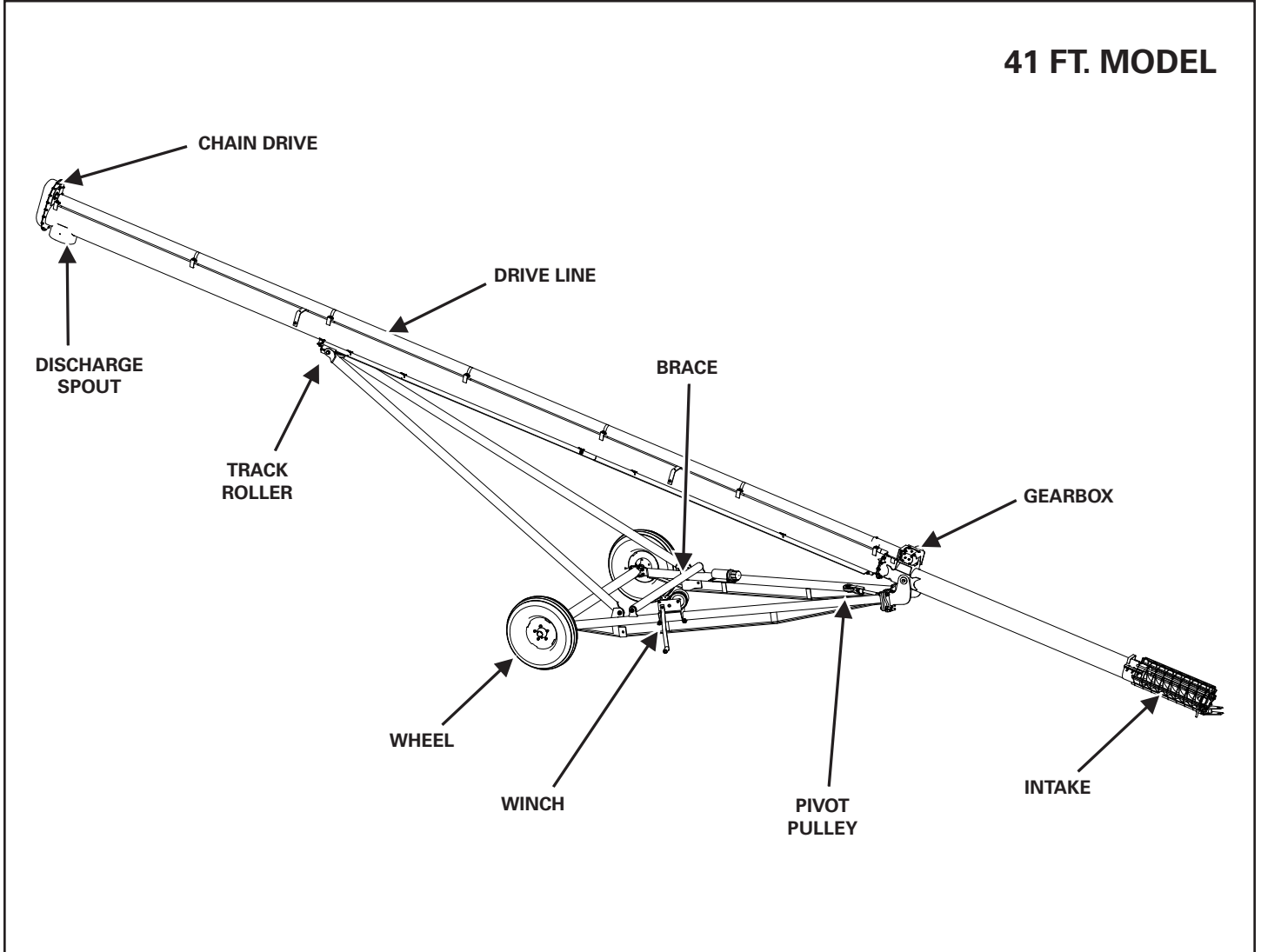
**Figure 2**



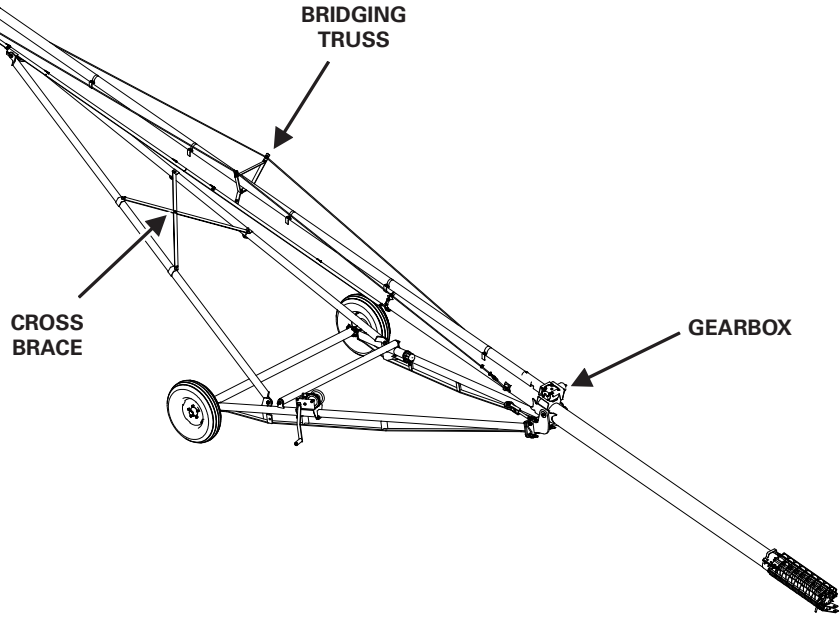
The operator and parts manual and other documents can be stored in the canister (Item 1) [Figure 2] located on the LH undercarriage arm.

## EQUIPMENT IDENTIFICATION

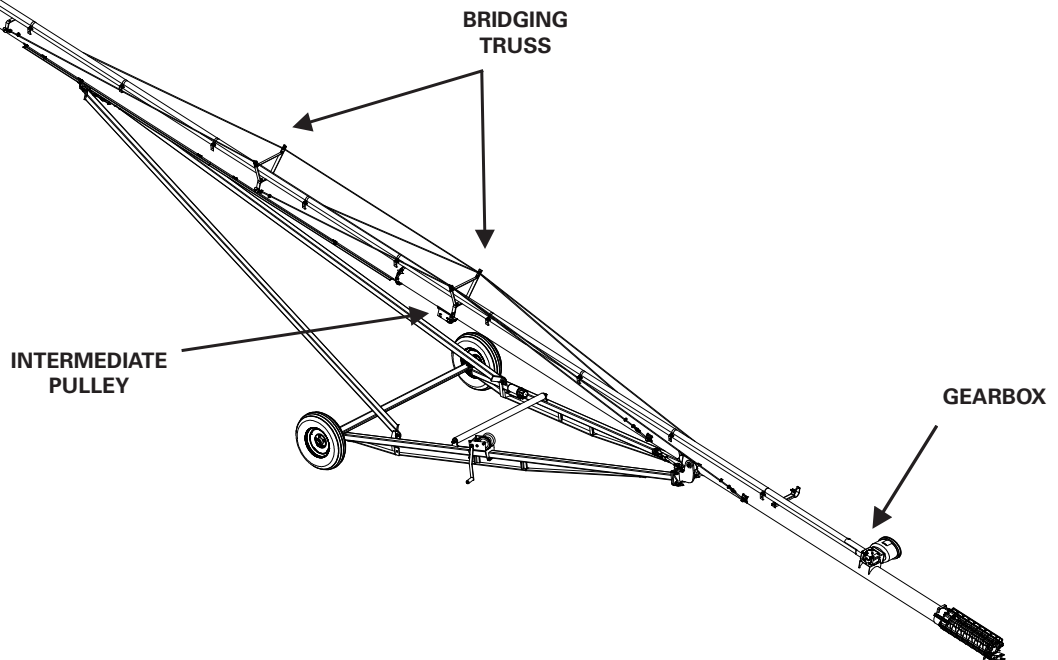
### Component Location



**51 FT. MODEL**



**61 FT. MODEL**



# Farm King



# SAFETY

SAFETY INSTRUCTIONS..... 13

- Safe Operation is The Operator’s Responsibility..... 13
- Safe Operation Needs A Qualified Operator..... 13
- Use Safety Rules..... 14
- Safety Rules For Power Take-Off (PTO) Driven Equipment..... 14
- Machine Requirements And Capabilities..... 15
- Transport Safety..... 15

FIRE PREVENTION..... 16

- Maintenance..... 16
- Operation..... 16
- Fire Extinguishers..... 16
- Electrical..... 16
- Hydraulic System..... 16
- Fueling..... 16
- Welding And Grinding..... 16

GAS ENGINE SAFETY..... 17

OPERATING SAFETY ZONE..... 18

- Safety Zone Identification..... 18

EQUIPMENT & SAFETY SIGNS (DECALS)..... 20

SAFETY SIGN-OFF FORM..... 25

# Farm King





**SAFETY INSTRUCTIONS**

**Safe Operation is The Operator’s Responsibility**



**Safety Alert Symbol**

This symbol with a warning statement means: “Warning, be alert! Your safety is involved!” Carefully read the message that follows.



The signal word CAUTION on the machine and in the manuals indicates a potentially hazardous situation which, if not avoided, may result in minor or moderate injury. It may also be used to alert against unsafe practices.



The signal word DANGER on the machine and in the manuals indicates a hazardous situation which, if not avoided, will result in death or serious injury.



The signal word WARNING on the machine and in the manuals indicates a potentially hazardous situation which, if not avoided, could result in death or serious injury.



This notice identifies procedures which must be followed to avoid damage to the machine.

**Safe Operation Needs A Qualified Operator**



**Operators must have instructions before operating the machine. Untrained operators can cause injury or death.**

For an operator to be qualified, he or she must not use drugs or alcohol which impair alertness or coordination while working. An operator who is taking prescription drugs must get medical advice to determine if he or she can safely operate a machine and the equipment.

Understand the written instructions, rules and regulations:

- The written instructions from Farm King include the Warranty Registration, Dealer Inspection Report, Operator And Parts Manual and machine signs (decals).
- Check the rules and regulations at your location. The rules may include an employer’s work safety requirements. Regulations may apply to local driving requirements or use of a Slow Moving Vehicle (SMV) emblem. Regulations may identify a hazard such as a utility line.

Have Training with Actual Operation:

- Operator training must consist of a demonstration and verbal instruction. This training is given by the machine owner prior to operation.
- The new operator must start in an area without bystanders and use all the controls until he or she can operate the machine safely under all conditions of the work area.

Know the Work Conditions:

- Clear working area of all bystanders, especially small children and all obstacles that might be hooked or snagged, causing injury or damage.
- Know the location of any overhead or underground power lines. Call local utilities and have all underground power lines marked prior to operation.
- Wear tight fitting clothing. Always wear safety glasses when doing maintenance or service.

## Use Safety Rules

- Read and follow instructions in this manual and the tractor's Operators Manual before operating.
- Under no circumstances should young children be allowed to work with this equipment.
- This equipment is dangerous to children and persons unfamiliar with its operation.
- If the elderly are assisting with work, their physical limitations need to be recognized and accommodated.
- Stay clear of overhead power lines when raising or lowering the auger. Electrocutation can occur without direct contact.
- Check for overhead and / or underground lines before operating equipment (if applicable).
- In addition to the design and configuration of equipment, hazard control and accident prevention are dependent upon the awareness, concern, prudence and proper training of personnel involved in the operation, transport, maintenance and storage of equipment.
- Check that the equipment is securely fastened to the tractor / towing vehicle.
- Make sure all the machine controls are in the NEUTRAL position before starting the machine.
- Operate the equipment only from the operator's position.
- Operate the equipment according to the Operator And Parts Manual.
- When learning to operate the equipment, do it at a slow rate in an area clear of bystanders, especially small children.
- DO NOT permit personnel to be in the work area when operating the equipment.
- The equipment must be used ONLY on approved tractors / transport vehicles.
- DO NOT modify the equipment in any way.
- Unauthorized modification may impair the function and / or safety and could affect the life of the equipment.
- DO NOT make any adjustments or repairs on the equipment while the machine is running.
- Keep shields and guards in place. Replace if damaged.

## Safety Rules For Power Take-Off (PTO) Driven Equipment

- Keep PTO shields and all guards in place. Replace damaged or missing shields and guards before operating.
- Follow warnings and instructions on machine signs (decals). Replace damaged or missing decals.
- Do not wear loose or bulky clothing around the PTO or other moving parts.
- Keep bystanders away from PTO driven equipment, and never allow children near machines.
- Read and understand the manuals for the PTO driven equipment and be aware of safe operating procedures and hazards that may not be readily apparent.
- Always walk around equipment to avoid coming near a turning PTO driveline. Stepping over, leaning across or crawling under a turning PTO driveline can cause entanglement.
- Position the machine and equipment hitch correctly to prevent driveline stress and separation.
- Use caution when turning. Turning too sharp can cause driveline damage.
- Use caution when raising PTO driven attachment.

## Machine Requirements And Capabilities

- Stop the machine and engage the parking brake. Install blocks in front of and behind the rear tires of the machine. Install blocks underneath and support the equipment securely before working under raised equipment.
- Keep bystanders clear of moving parts and the work area. Keep children away.
- Use increased caution on slopes and near banks and ditches to prevent overturn.
- Make certain that the Slow Moving Vehicle (SMV) emblem is installed so that it is visible and legible. When transporting the equipment, use the flashing warning lights (if equipped) and follow all local regulations.
- Operate this equipment with a machine equipped with an approved Roll-Over Protective Structure (ROPS). Always wear seat belt when the ROPS is up. Serious injury or death could result from falling off the machine.
- Before leaving the operator's position:
  1. Always park on a flat level surface.
  2. Place all controls in neutral.
  3. Engage the parking brake.
  4. Stop engine.
  5. Wait for all moving parts to stop.
- Carry passengers only in designated seating areas. Never allow riders on the machine or equipment. Falling off can result in serious injury or death.
- Start the equipment only when properly seated in the operator's seat. Starting a machine in gear can result in serious injury or death.
- Operate the machine and equipment from the operator's position only.
- The parking brake must be engaged before leaving the operator's seat. Rollaway can occur because the transmission may not prevent machine movement.

## Transport Safety

- Do not exceed 20 mph (32 kph). Reduce speed on rough roads and surfaces.
- Comply with state and local laws governing highway safety and movement of machinery on public roads.
- The use of flashing amber lights is acceptable in most localities. However, some localities prohibit their use.
- Local laws should be checked for all highway lighting and marking requirements.
- Always install transport locks, pins or brackets before transporting.
- Always yield to oncoming traffic in all situations and move to the side of the road so any following traffic may pass.
- Always enter curves or drive up or down hills at a low speed and at a gradual steering angle.
- Never allow riders on either tractor or equipment.
- Keep tractor / towing vehicle in a lower gear at all times when traveling down steep grades.
- Maintain proper brake settings at all times (if equipped).
- Stay away from overhead power lines when auger is raised. Electrocutation can occur without direct contact.

## FIRE PREVENTION



### Maintenance

- The machine and some equipment have components that are at high temperatures under normal operating conditions. The primary source of high temperatures is the engine and exhaust system. The electrical system, if damaged or incorrectly maintained, can be a source of arcs or sparks.
- Flammable debris (leaves, straw, etc.) must be removed regularly. If flammable debris is allowed to accumulate, it can cause a fire hazard. Clean often to avoid this accumulation. Flammable debris in the engine compartment is a potential fire hazard.
- All fuels, most lubricants and some coolant mixtures are flammable. Flammable fluids that are leaking or spilled onto hot surfaces or onto electrical components can cause a fire.

### Operation

- The Farm King machine must be in good operating condition before use.
- Check all of the items listed on the service schedule under the 8 hour column before operation. (See Maintenance section)
- Do not use the machine where exhaust, arcs, sparks or hot components can contact flammable material, explosive dust or gases.

### Fire Extinguishers



- Know where fire extinguishers and first aid kits are located and how to use them. Inspect the fire extinguisher and service the fire extinguisher regularly. Obey the recommendations on the instructions plate.

### Electrical



- Check all electrical wiring and connections for damage. Keep the battery terminals clean and tight. Repair or replace any damaged part or wires that are loose or frayed. Battery gas can explode and cause serious injury. Do not jump start or charge a frozen or damaged battery. Keep any open flames or sparks away from batteries. Do not smoke in battery charging area.

### Hydraulic System

- Check hydraulic tubes, hoses and fittings for damage and leakage. Never use open flame or bare skin to check for leaks. Hydraulic tubes and hoses must be properly routed and have adequate support and secure clamps. Tighten or replace any parts that show leakage. Always clean fluid spills. Do not use gasoline or diesel fuel for cleaning parts. Use commercial nonflammable solvents.

### Fueling



- Stop the engine and let it cool before adding fuel. No smoking! Do not refuel a machine near open flames or sparks. Fill the fuel tank outdoors.

### Welding And Grinding

- Always clean the machine and equipment, disconnect the battery, and disconnect the wiring from the machine controls before welding. Cover rubber hoses, battery and all other flammable parts. Keep a fire extinguisher near the machine when welding.
- Have good ventilation when grinding or welding painted parts. Wear dust mask when grinding painted parts. Toxic dust or gas can be produced.
- Dust generated from repairing nonmetallic parts such as hoods, fenders or covers can be flammable or explosive. Repair such components in a well ventilated area away from open flames or sparks.

## **GAS ENGINE SAFETY**

- Before starting engine, read and understand the operating and maintenance instructions that came with your engine.
- DO NOT run engine in an enclosed area. Exhaust gases contain carbon monoxide, an odorless and deadly poison.
- DO NOT place hands or feet near moving or rotating parts.
- DO NOT store, spill, or use gasoline near an open flame, or devices such as a stove, furnace, or water heater which use a pilot light or devices which can create a spark.
- DO NOT refuel indoors where area is not well ventilated. Outdoor refueling is preferred.
- DO NOT refuel while engine is running. Allow engine to cool for 5 minutes before refueling. Store fuel in approved safety containers.
- DO NOT remove fuel tank cap while engine is running.
- DO NOT operate engine if gasoline is spilled. Move machine away from the spill and avoid creating any ignition until gasoline has evaporated.
- DO NOT smoke while filling fuel tank.
- DO NOT choke carburetor to stop engine. Whenever possible, gradually reduce engine speed before stopping.
- DO NOT run engine above rated speeds. This may result in injury.
- DO NOT tamper with governor springs, governor links or other parts which may increase the governed speed.
- DO NOT tamper with the engine speed selected by the original equipment manufacturer.
- DO NOT check for spark with spark plug or spark plug wire removed.
- DO NOT crank engine with spark plug removed. If engine is flooded, crank until engine starts.
- DO NOT strike flywheel with a hard object or metal tool as this may cause flywheel to shatter in operation. Use proper tools to service engine.
- DO NOT operate engine without a muffler. Inspect periodically and replace, if necessary. If engine is equipped with a muffler deflector, inspect periodically and replace, if necessary with correct deflector.
- DO NOT operate engine with an accumulation of grass, leaves, dirt or other combustible materials in the muffler area.
- DO NOT use this engine on any forest covered, brush covered, or grass covered unimproved land unless a spark arrester is installed on the muffler. The arrester must be maintained in effective working order by the operator.
- DO NOT touch hot muffler, cylinder or fins because contact may cause burns.
- DO NOT run engine with air cleaner or air cleaner cover removed.
- Remove the wire from the spark plug when servicing the engine or equipment to prevent accidental starting. Disconnect the negative wire from the battery terminal if equipped with a 12 volt starting system.
- Keep cylinder fins and governor parts free of grass and other debris which can affect engine speed.
- Examine muffler periodically to be sure it is functioning effectively. A worn or leaking muffler should be repaired or replaced as necessary.
- Use fresh gasoline. Stale fuel can gum carburetor and cause leakage.
- Check fuel lines and fittings frequently for cracks or leaks. Replace if necessary.

## OPERATING SAFETY ZONE

### Safety Zone Identification



#### AVOID INJURY OR DEATH

- Do not allow small children, bystanders or unauthorized persons in the work area during operation.
- Never stand or work under the auger and undercarriage when in the raised position or during operation.
- Always keep PTO shields and all guards in place during operation.
- Keep away from moving parts.
- Keep everyone clear when operating the hopper mover.

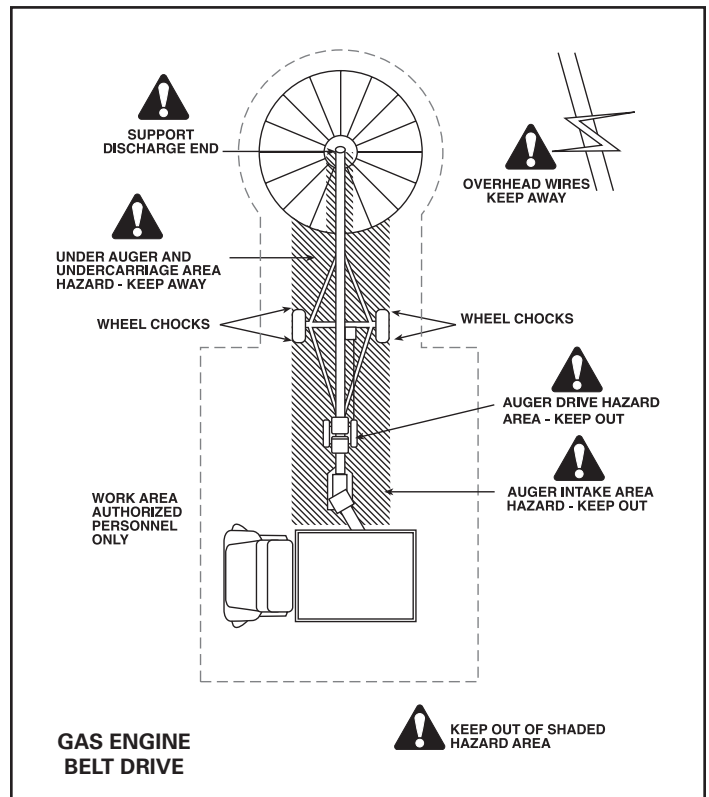
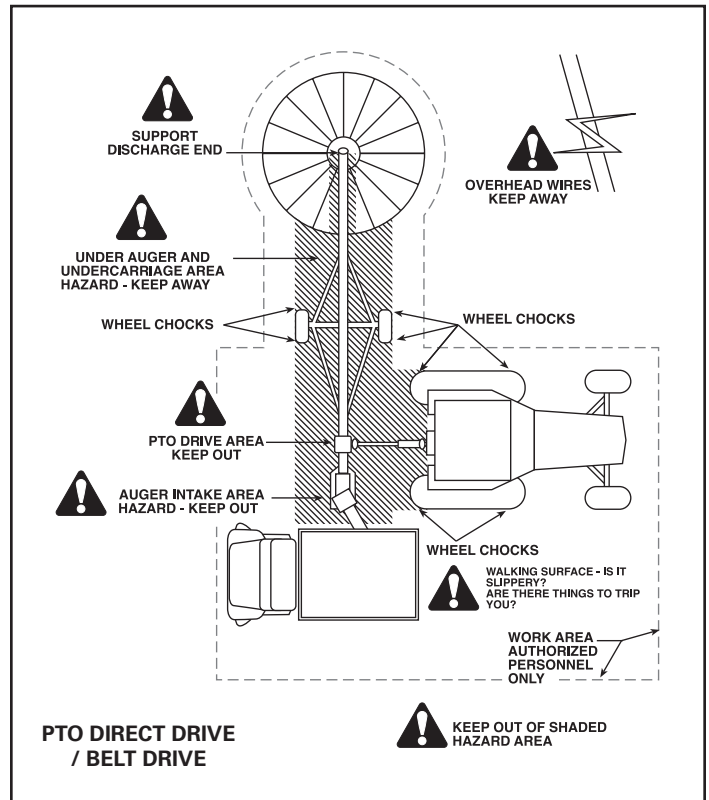


#### ELECTROCUTION HAZARD

Keep away from power lines, electrocution can occur without direct contact.



- Owners and operators should allow only authorized personnel and grain transport vehicles near the auger or inside the work area.
- Allow adequate space for grain transport vehicles to operate safely.
- Make certain everyone is clear of the equipment before applying power or moving the machine.
- While in operation, always support the discharge end or provide adequate anchorage of the intake end to prevent sudden tipping.



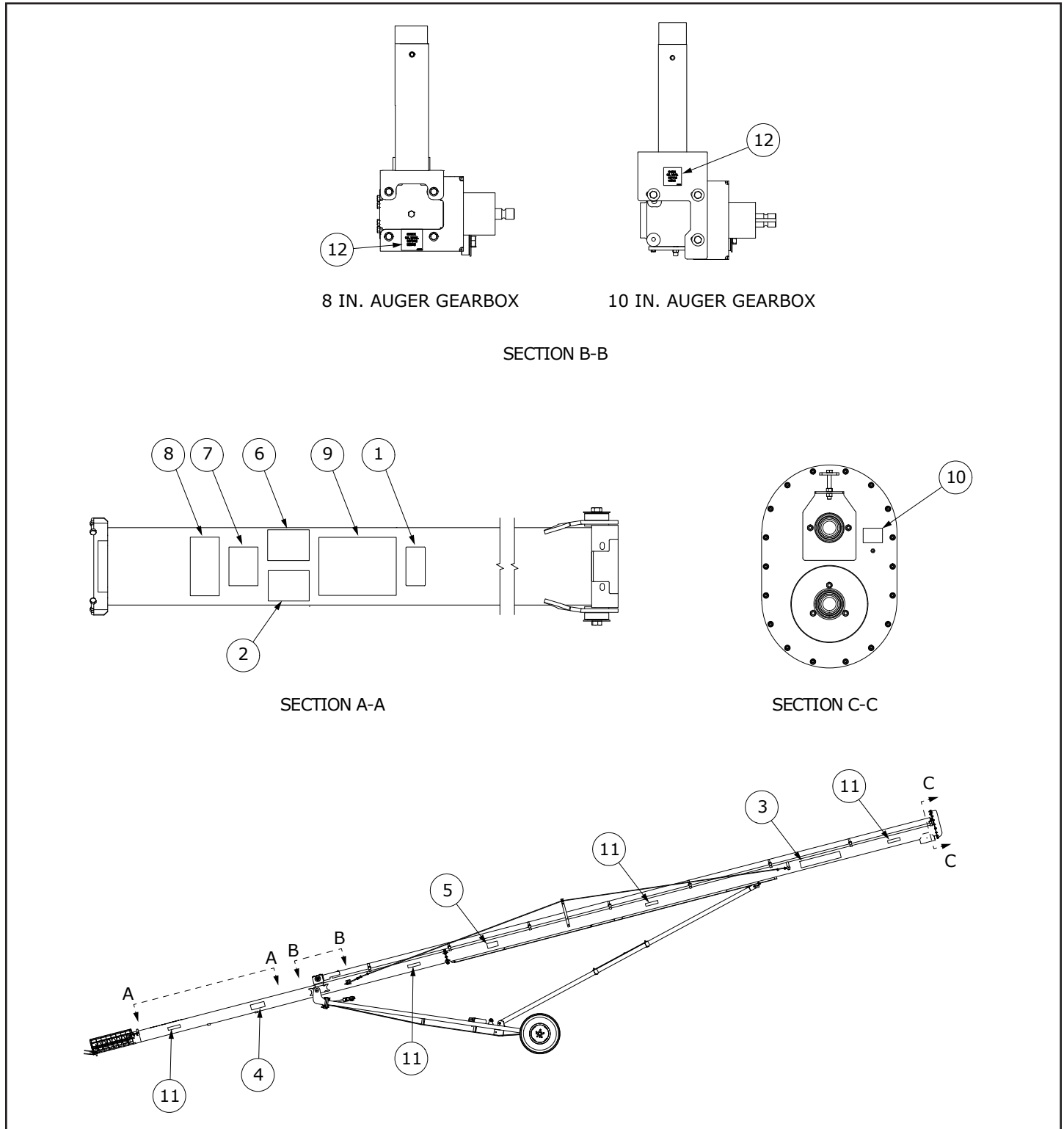
# Farm King



## EQUIPMENT & SAFETY SIGNS (DECALS)

Follow the instructions on all the signs (decals) that are on the equipment. Replace any damaged signs (decals) and be sure they are in the correct locations. Equipment signs are available from your Farm King equipment dealer.

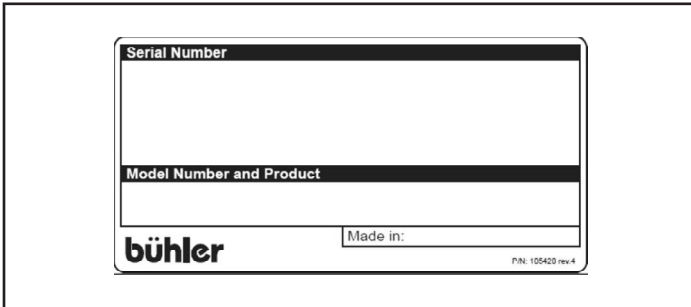
**Figure 3**



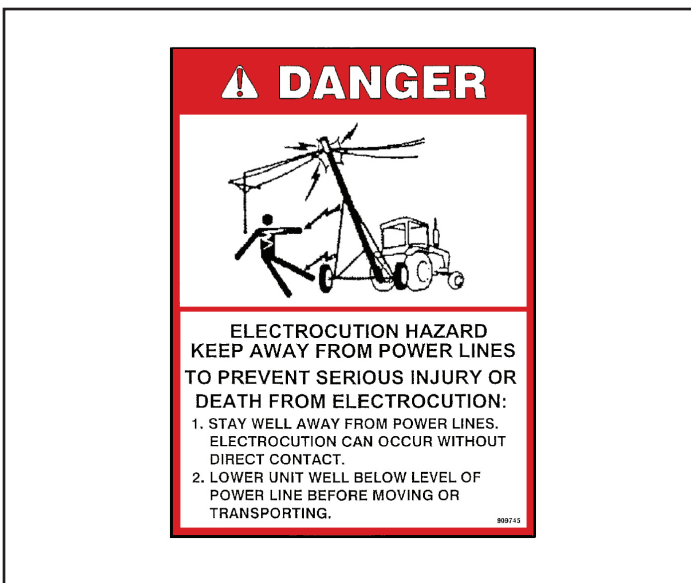


**Decal Identification [Figure 3]**

105420 - REFERENCE PLATE (ITEM 1)



909745 - DANGER ELECTROCUTION (ITEM 2)



934955 - 8 IN. FARM KING (ITEM 3)

934963 - 10 IN. FARM KING (ITEM 3)



934956 - 8 IN. CX2 (ITEM 4)

934964 - 10 IN. CX2 (ITEM 4)



934954 - CX841 (ITEM 5)



934958 - CX851 (ITEM 5)



934959 - CX861 (ITEM 5)



934960 - CX1041 (ITEM 5)



934961 - CX1051 (ITEM 5)



934962 - CX1061 (ITEM 5)



960569 - DANGER UPENDING (ITEM 6)



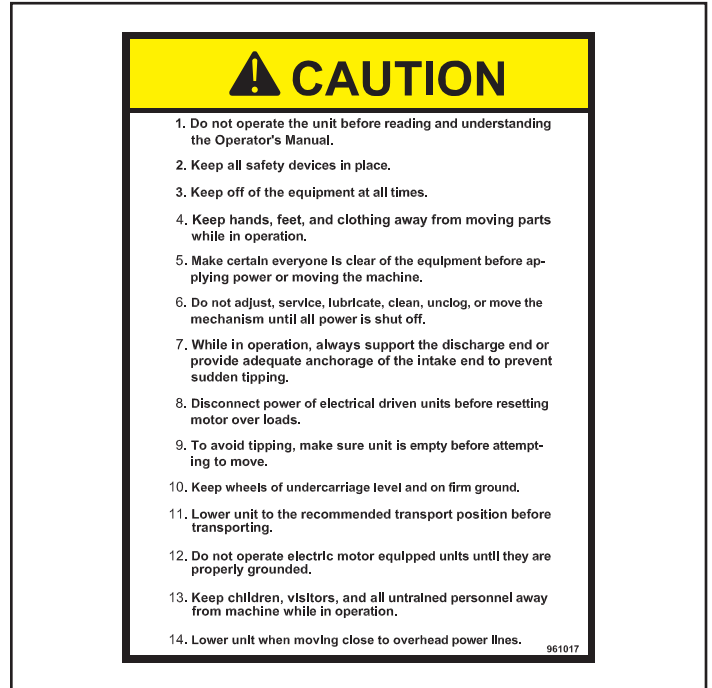
961015 - IMPORTANT RUN AUGER (ITEM 7)



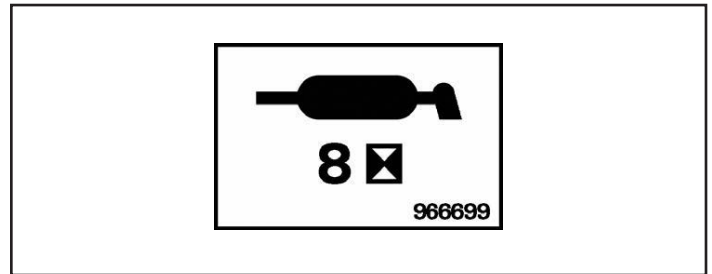
961016 - DANGER KEEP HANDS (ITEM 8)



961017 - CAUTION LIST (ITEM 9)



966699 - GREASE (ITEM 10)



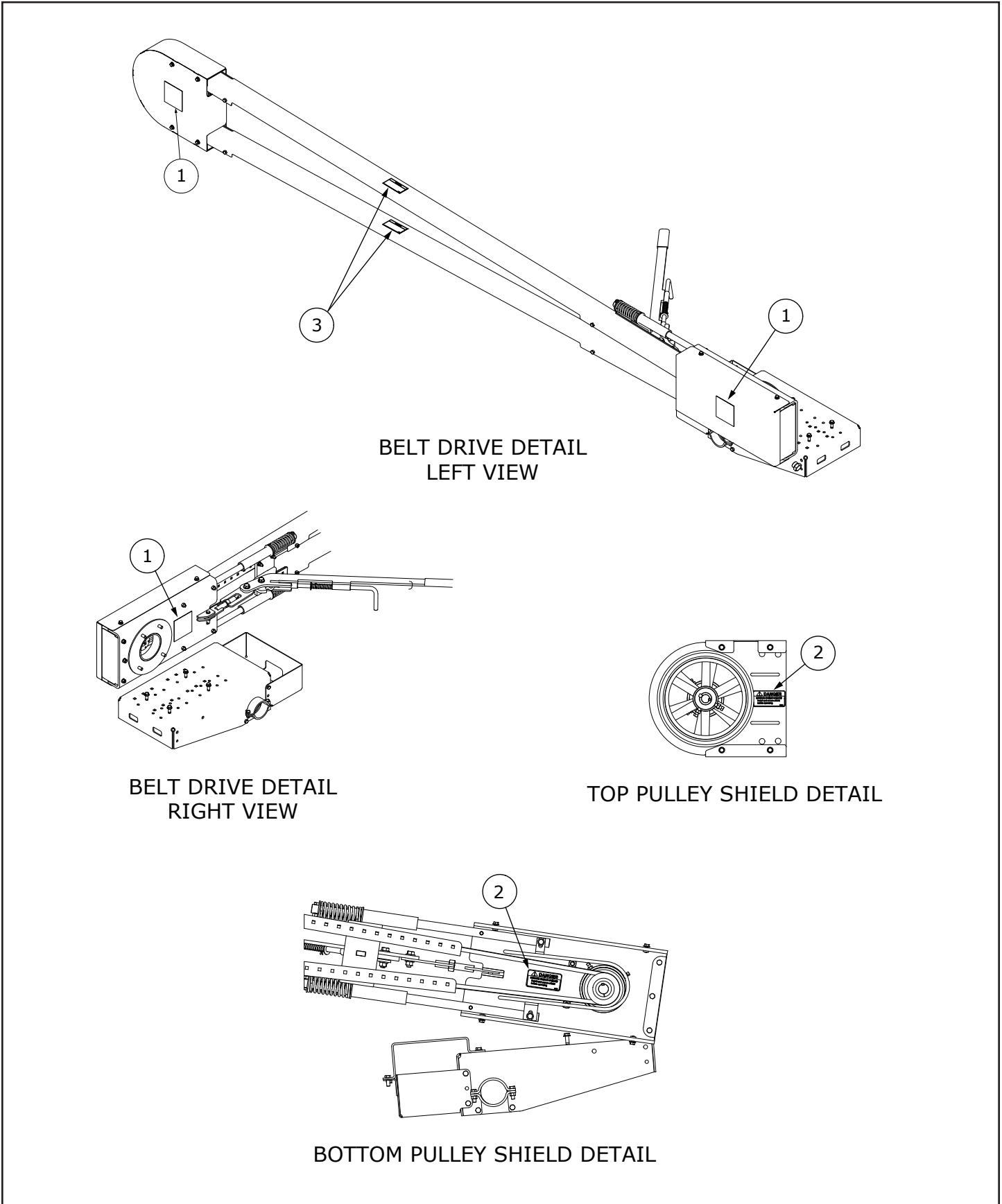
967055 - AMBER REFLECTOR 2 X 9 (ITEM 11)



967388 - CHECK OIL (ITEM 12)



Figure 4



**Decal Identification [Figure 4]**

909747 - ROTATING HAZARD (ITEM 1)



915861 - MISSING SHIELD HAZARD (ITEM 2)



966700 - CAUTION NO RIDERS (ITEM 3)



### SAFETY SIGN-OFF FORM



# WARNING

**Instructions are necessary before operating or servicing equipment. Read and understand the Operator And Parts Manual and safety signs (decals) on equipment. Follow warnings and instructions in the manuals when making repairs, adjustments or servicing. Check for correct function after adjustments, repairs or service. Untrained operators and failure to follow instructions can cause injury or death.**

Farm King follows the general Safety Standards specified by the American Society of Agricultural and Biological Engineers (ASABE) and the Occupational Safety and Health Administration (OSHA). Anyone who will be operating and / or maintaining the auger must read and clearly understand ALL Safety, Operating and Maintenance information presented in this manual.

Annually review this information before the season start-up and make these periodic reviews of SAFETY and OPERATION a standard practice for all of your equipment. An untrained operator is unqualified to operate this machine.

The following sign-off sheet is provided for your record and to show that all personnel who will be working with the equipment have read and understand the information in this Operator And Parts Manual and have been instructed in the operation of the equipment.

SIGN-OFF SHEET		
Date	Employee's Signature	Employer's Signature

# Farm King



## ASSEMBLY

GENERAL ASSEMBLY INFORMATION.....	29
Component Unloading And Identification.....	29
TUBE ASSEMBLY.....	30
GEARBOX & DRIVELINE ASSEMBLY.....	33
Belt Drive Models Driveline Assembly.....	33
Direct Drive Models Driveline Assembly.....	33
Gearbox Assembly.....	34
BRIDGING ASSEMBLY & CABLE ROUTING.....	37
51 Ft. Models Bridging & Cable Assembly.....	37
61 Ft. Models Bridging & Cable Assembly.....	39
DISCHARGE SPOUT ASSEMBLY.....	41
UNDERCARRIAGE ASSEMBLY.....	42
WINCH ASSEMBLY & CABLE ROUTING.....	47
Winch Assembly.....	47
41 Ft. & 51 Ft. Models Winch Cable Routing.....	48
61 Ft. Models Winch Cable Routing.....	50
Winch Cable Assembly.....	52
UPPER BELT ASSEMBLY.....	53
GAS ENGINE, MANUAL LEVER OR ELECTRIC ACTUATOR ASSEMBLY.....	54
GAS ENGINE OR ELECTRIC MOTOR, ELECTRIC CLUTCH ASSEMBLY.....	59
ELECTRIC MOTOR ASSEMBLY.....	72
BELT DRIVE ADJUSTMENTS.....	73
BELT COVER ASSEMBLY.....	75
TUBE MOUNT ELECTRIC MOTOR ASSEMBLY.....	76

# Farm King





**GENERAL ASSEMBLY INFORMATION**

**Component Unloading And Identification**

Unload the crate(s) and components in flat level area of adequate size to assemble the auger.



**ELECTROCUTION HAZARD**

To prevent serious injury or death from electrocution:

- Be aware of overhead power lines.
- Keep away from power lines when unloading and assembling the auger.
- Electrocution can occur without direct contact.



**DO NOT** permit bystanders to be in the work area when unloading and assembling components.

**DO NOT** work under suspended parts.

Keep away from moving parts.

Always use lifting devices / vehicles, chains or straps of adequate size and strength when unloading and assembling components.



**Unload crate(s) and auger components carefully, not to cause damage to any of the components.**

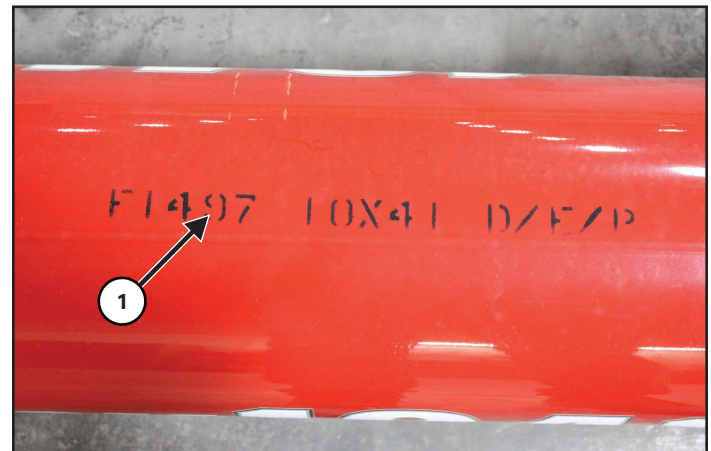
Using the packing list, locate and place all components and hardware in one area. Count the individual components and verify that you have received the correct number of components to fully assemble the auger.

If any components are damaged, missing or replacement parts are required, contact your Farm King Dealer.

Assemble the Auger in the following order:

1. Tube sections and driveline
2. Undercarriage
3. Optional equipment
4. Optional hydraulics

**Figure 5**



Larger components are marked (Item 1) [Figure 5] for identification.

## TUBE ASSEMBLY

Assemble the tube sections on a flat level surface.

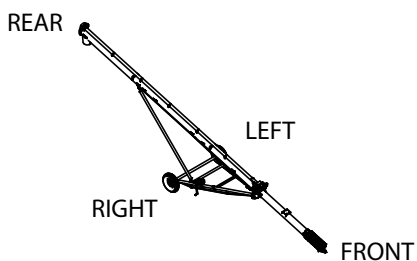


**DO NOT** permit bystanders to be in the work area when unloading and assembling components.

**DO NOT** work under suspended parts.

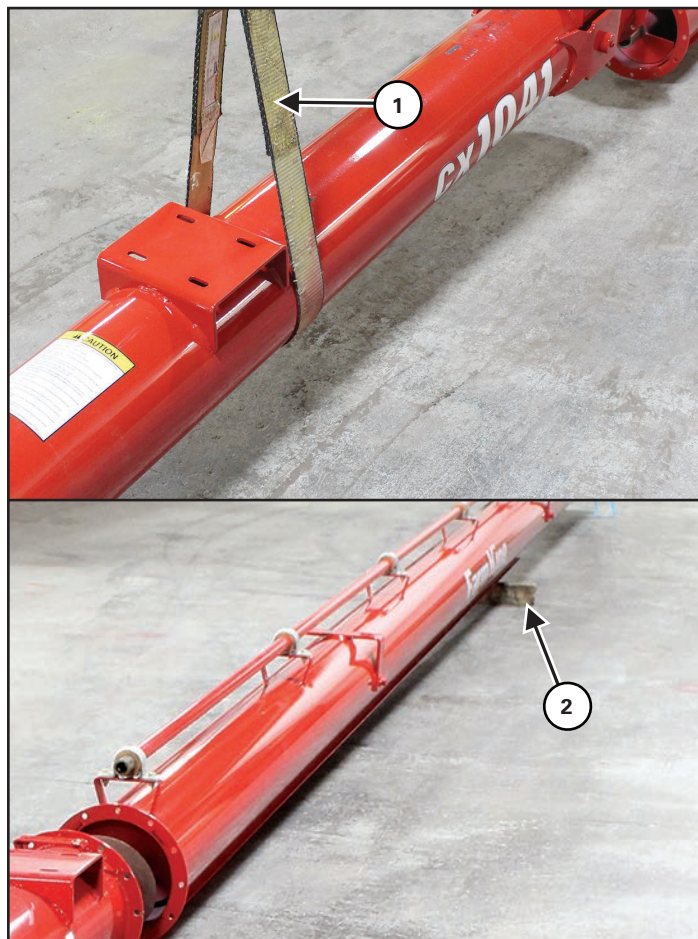
Keep away from moving parts.

Always use lifting devices / vehicles, chains or straps of adequate size and strength when unloading and assembling components.



The directions left, right, front and rear, as mentioned throughout this manual, are as viewed as the operator sitting in the tractor's seat with the equipment hitched to the tractor.

Figure 6



Raise and move the tube sections to the assembly area using an approved lifting device (Item 1) [Figure 6].

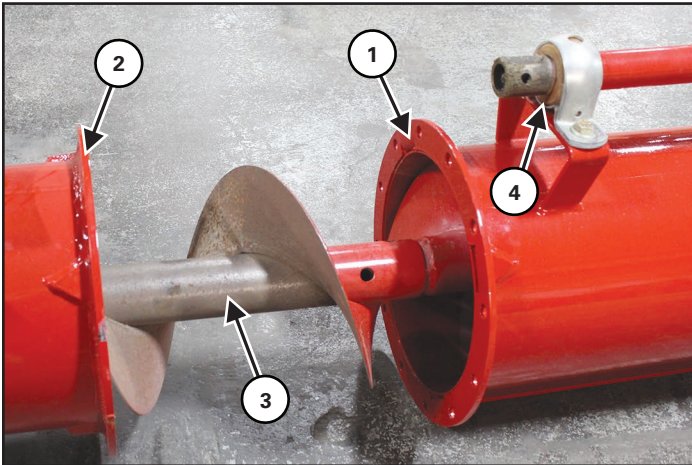
Place a block (Item 2) under the end of the discharge tube [Figure 6].



### AVOID INJURY OR DEATH

Keep fingers and hands out of pinch points when assembling the equipment.

**Figure 7**

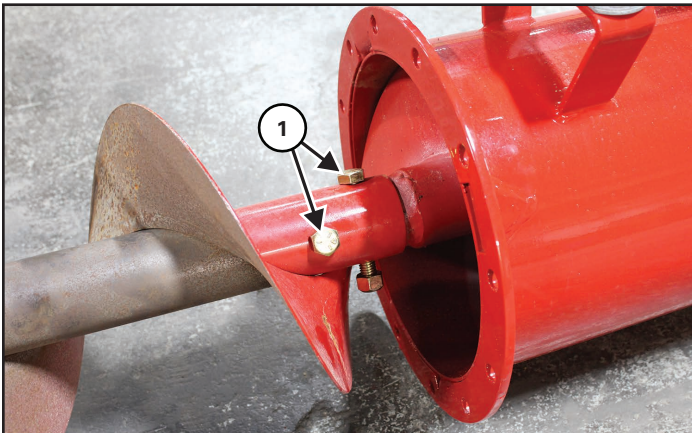


Align the mounting flanges of the top (Item 1) and bottom tubes (Item 2) [Figure 7].

Slide the flighting (Item 3) from the bottom tube forward onto the connecting shaft of the top tube flighting [Figure 7].

*41' Models:* Remove and discard the wooden bearing (Item 4) located near the mounting flanges [Figure 7].

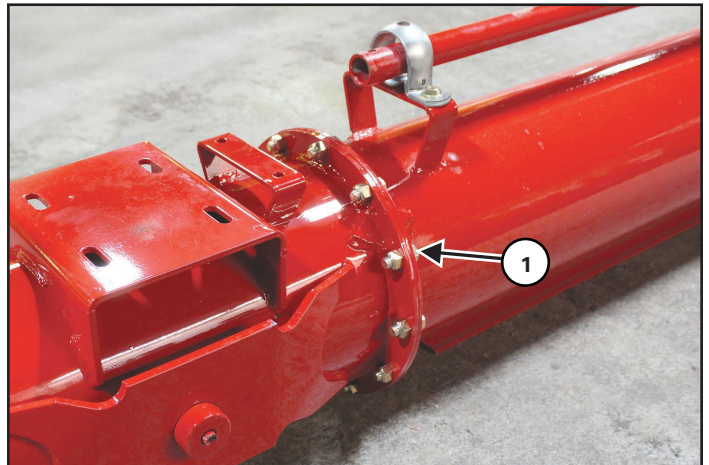
**Figure 8**



*8" Models:* Attach the flighting shafts using two 5/16" x 1-3/4" hex bolts and 5/16" lock nuts (Item 1) [Figure 8].

*10" Models:* Attach the flighting shafts using two 1/2" x 3-1/4" hex bolts and 1/2" lock nuts (Item 1) [Figure 8].

**Figure 9**

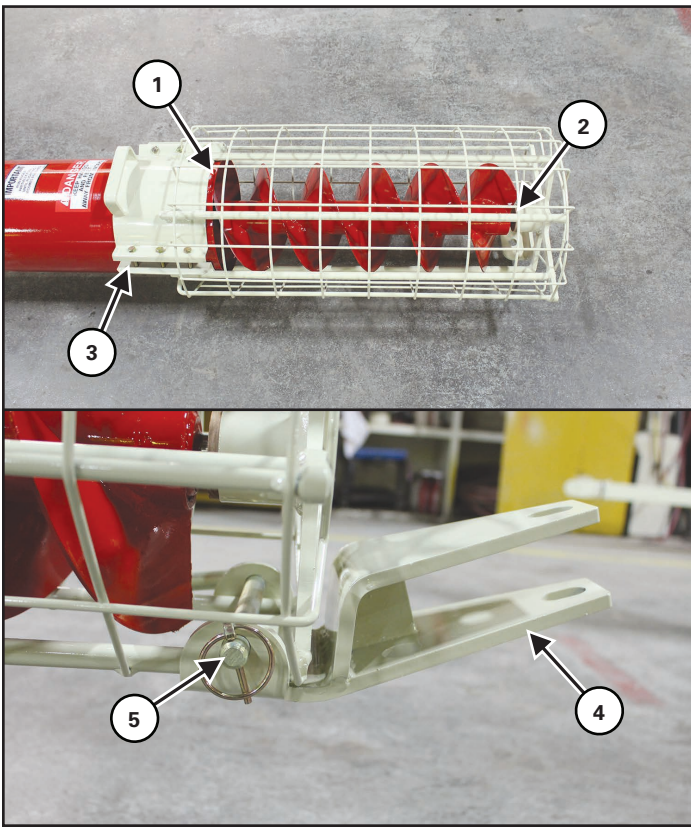


Slide the tubes together until the mounting flanges contact each other.

*8" Models:* Attach the mounting flanges with twelve 3/8" x 1" hex bolts and 3/8" lock nuts (Item 1) [Figure 9].

*10" Models:* Attach the mounting flanges with twelve 1/2" x 1-1/4" hex bolts and 1/2" lock nuts (Item 1) [Figure 9].

Figure 10



Slide the intake cage onto the bottom tube.

Position the intake cage mount over the end tab (Item 1) of the bottom tube. Position the flighting shaft inside the wooden bearing (Item 2) [Figure 10].

Attach the intake cage mount using six 3/8" x 2" hex bolts and 3/8" lock nuts (Item 3). Tighten hardware until the mounting brackets make contact [Figure 10].

Place the hitch weldment (Item 4) under the intake cage. Secure with a clevis pin and lynch pin (Item 5) [Figure 10].



# WARNING



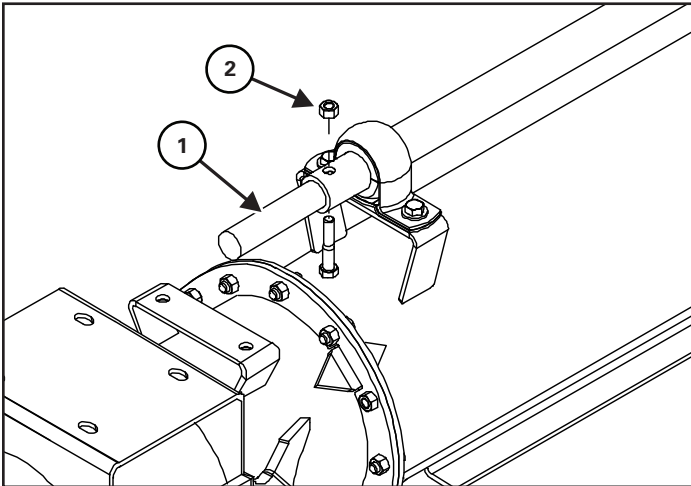
## AVOID INJURY OR DEATH

Keep fingers and hands out of pinch points when assembling the equipment.

## GEARBOX & DRIVELINE ASSEMBLY

### Belt Drive Models Driveline Assembly

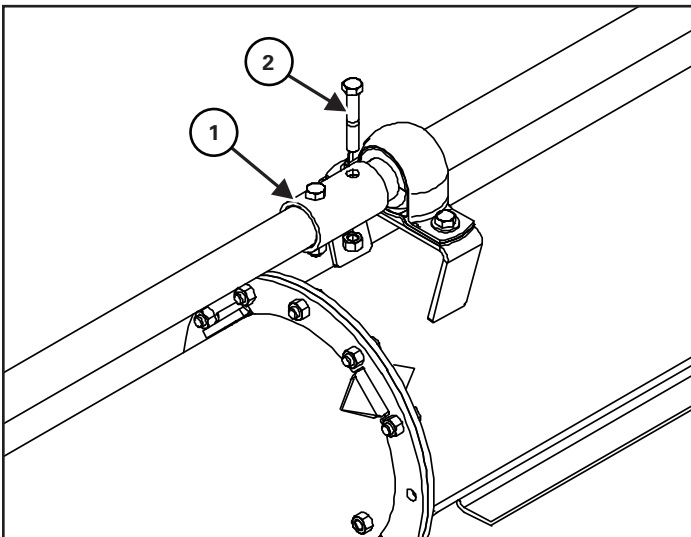
Figure 11



*841 Models:* Install one driveline stub shaft (Item 1) to the end of the driveline. Attach using one 3/8" x 2" hex bolt and 3/8" lock nut (Item 2) [Figure 11].

*1041 Models:* No extension needed.

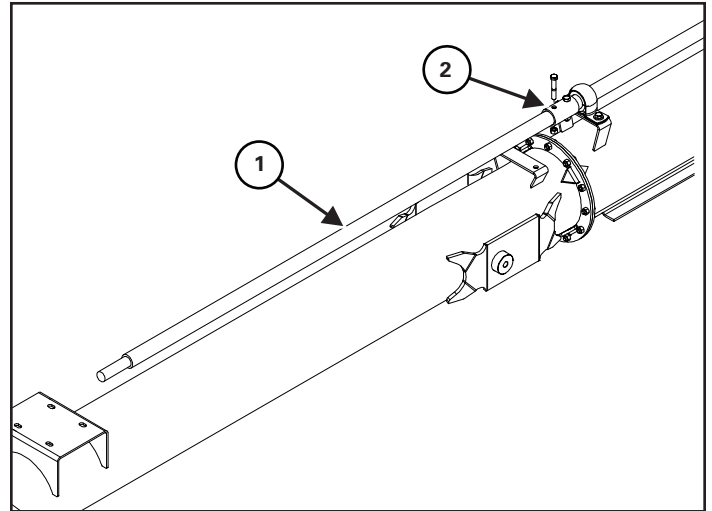
Figure 12



*51' & 61' Models:* Attach the drivelines from the top and bottom tubes using one driveline coupler (Item 1), two 3/8" x 2-1/4" hex bolts (Item 2), and 3/8" lock nuts [Figure 12].

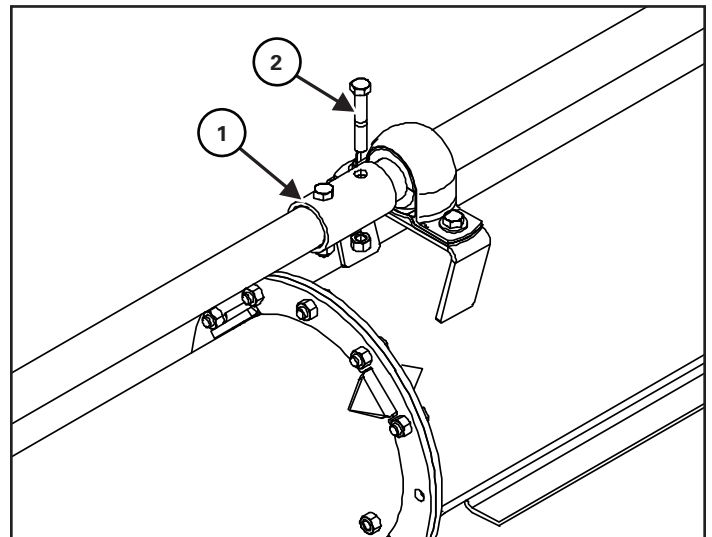
### Direct Drive Models Driveline Assembly

Figure 13



*41' Models:* Install one driveline extension shaft (Item 1) to the end of the driveline. Attach using one driveline coupler (Item 2), two 3/8" x 2" hex bolts and two 3/8" lock nuts [Figure 13].

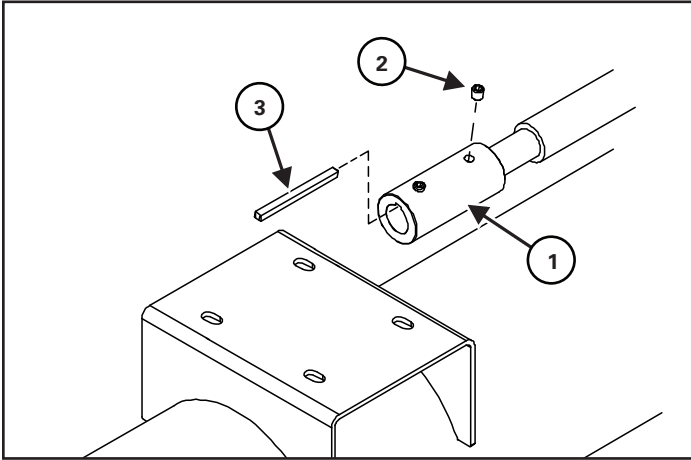
Figure 14



*51' & 61' Models:* Attach the drivelines from the top and bottom tubes using one driveline coupler (Item 1), two 3/8" x 2-1/4" hex bolts (Item 2), and 3/8" lock nuts [Figure 14].

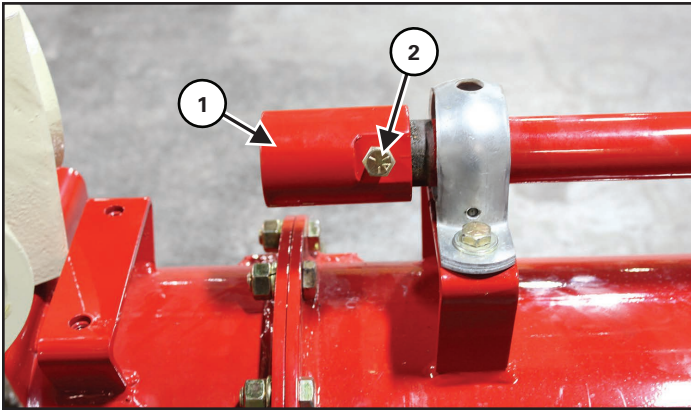
**Gearbox Assembly**

**Figure 17**



*8" Models:* Install the slotted gearbox coupler (Item 1) on the end of the driveline. Attach using one 3/8" x 3/8" set screw (Item 2). Apply thread locker to set screw. Install one 1/4" x 1/4" x 3-1/2" key (Item 3) in the slotted gearbox coupler [Figure 17].

**Figure 18**

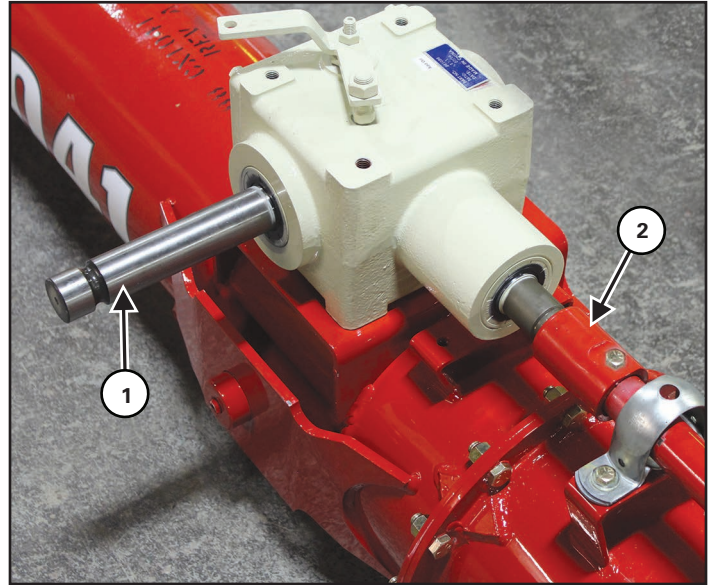


*10" Models:* Install the splined gearbox coupler (Item 1) on the end of the driveline. Attach using one 3/8" x 2" hex bolt (Item 2). Apply thread locker to hex bolt [Figure 18].

**! IMPORTANT**

Use an all purpose thread locker on all bolts or set screws not attached with a lock nut.

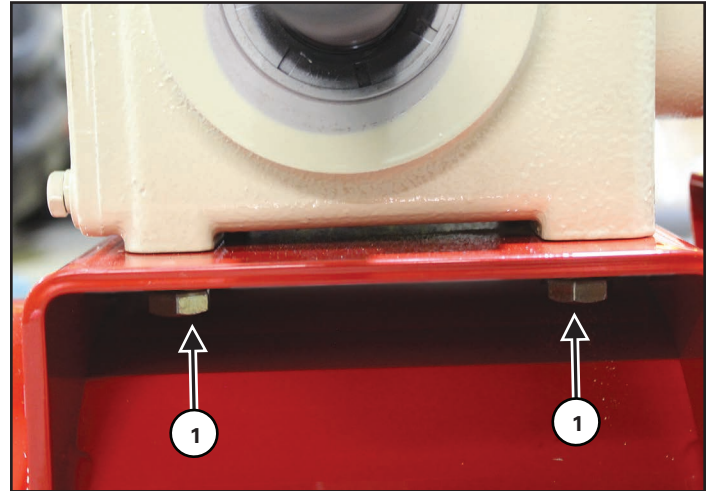
**Figure 15**



Position the gearbox on the tube mount with the 90 degree shaft (Item 1) facing left [Figure 15].

Slide the gearbox drive shaft into coupler (Item 2) [Figure 15].

**Figure 16**

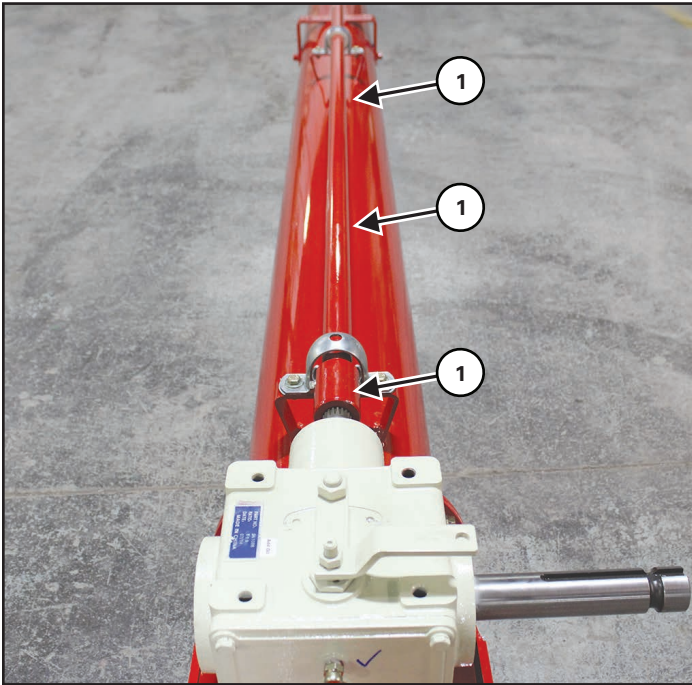


*8" Models:* Attach the gearbox from beneath the mount using four 3/8" x 3/4" hex bolts (Item 1) [Figure 16].

*10" Models:* Attach the gearbox from beneath the mount using four 1/2" x 1" hex bolts (Item 1) [Figure 16].

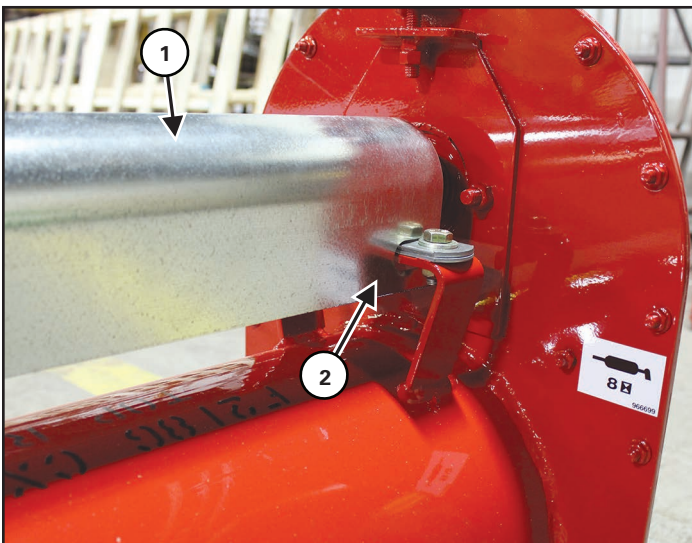
Apply thread locker to hex bolts.

**Figure 19**



Make sure the driveline (Item 1) is straight along the auger tube. Adjust the gearbox mounting hardware accordingly [Figure 19].

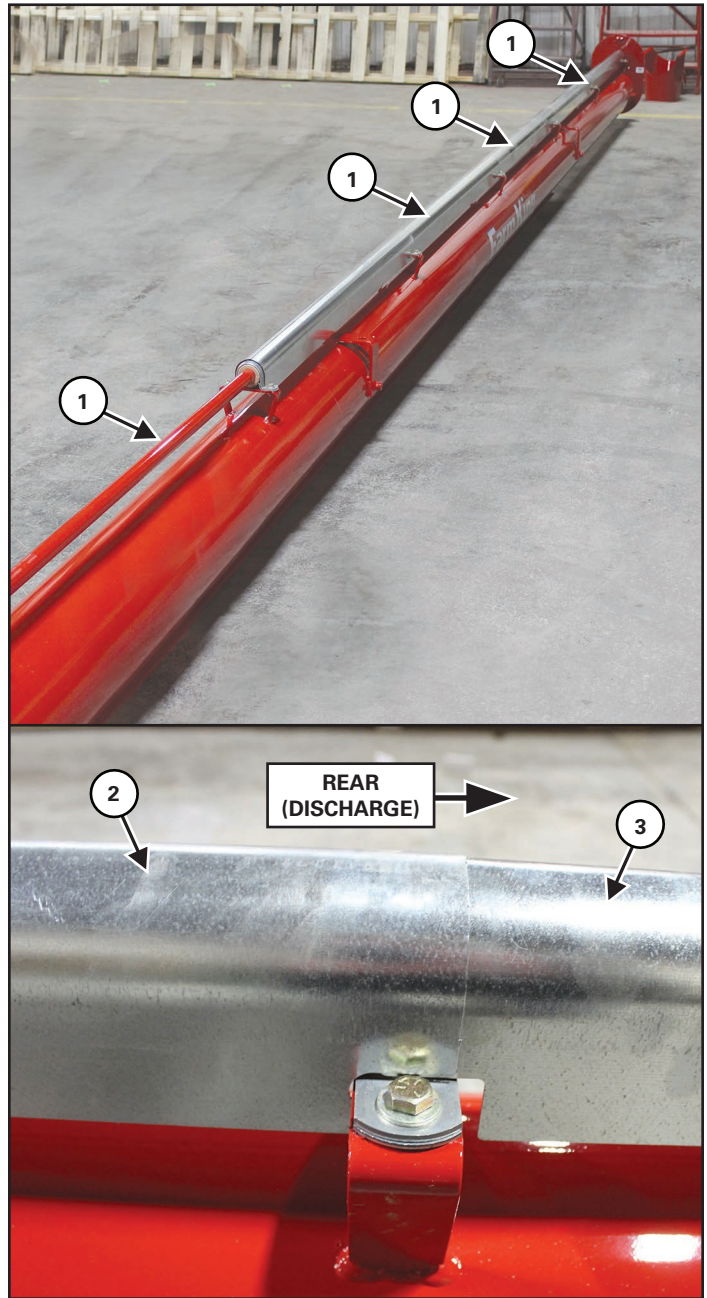
**Figure 20**



Place one driveline shield section (Item 1) onto the driveline at the discharge end of the top tube [Figure 20].

Make sure the tabbed end (Item 2) of the shield is hooked underneath the bearing mount [Figure 20].

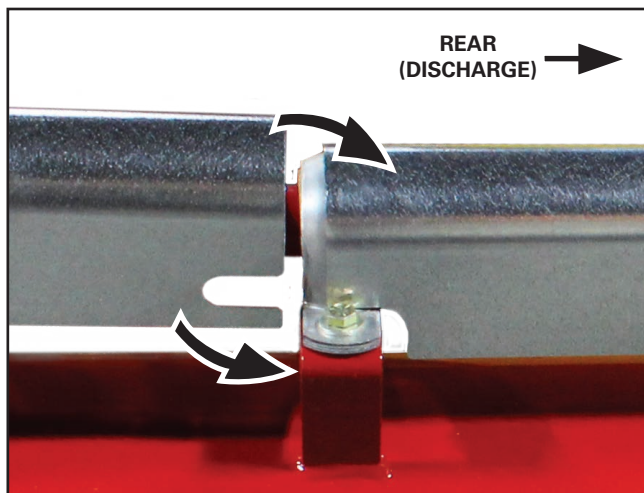
**Figure 21**



Continue placing driveline shield sections (Item 1) along the driveline [Figure 21].

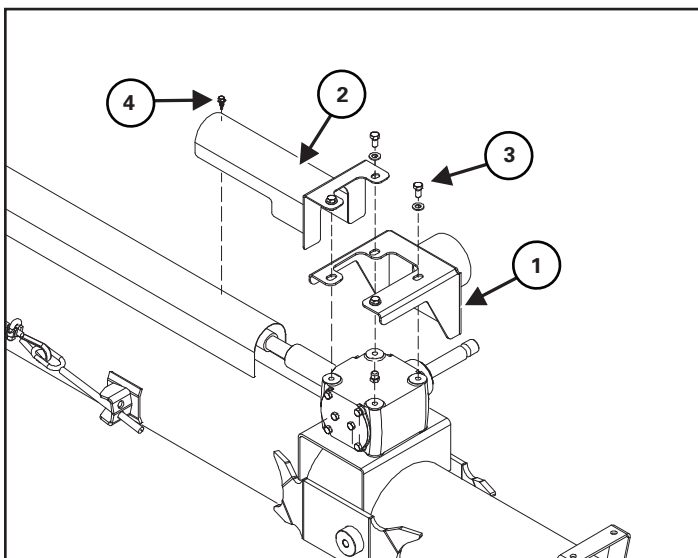
Each new shield section (Item 2) must cover the previous shield section (Item 3) and be hooked underneath each bearing mount [Figure 21].

**!** **IMPORTANT**



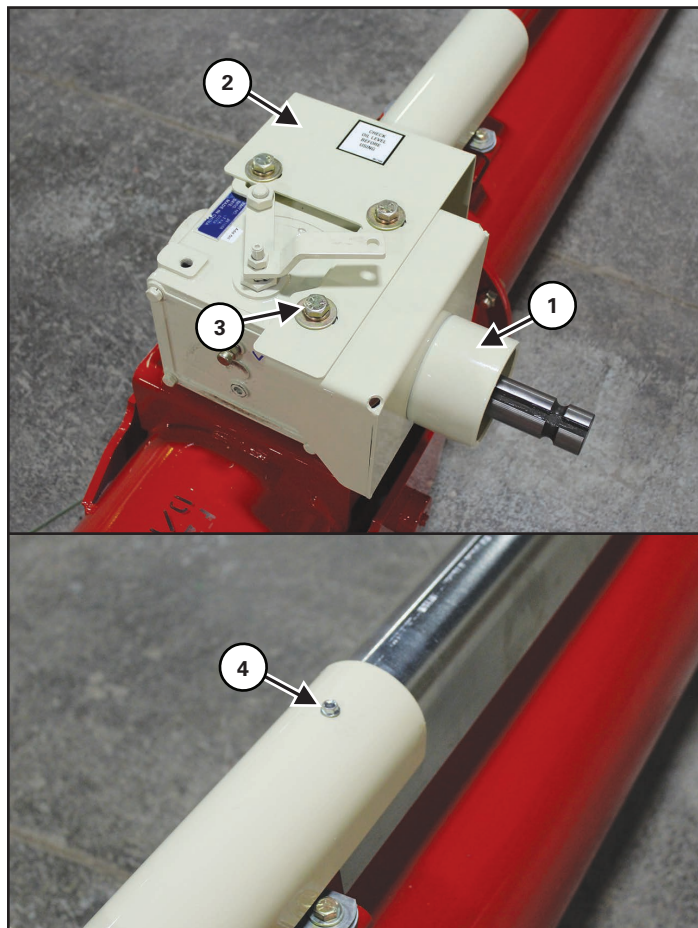
Each new shield section must cover the previous shield section and be hooked underneath each bearing mount.

**Figure 22**



*8" Models:* Position the gearbox cover (Item 1), then position the driveline cover (Item 2) on top of the gearbox. Attach both brackets using four 3/8" x 3/4" hex bolts and four 3/8" flat washers (Item 3). Attach the driveline cover and driveline shield with one 1/4" x 3/4" self drilling hex screw (Item 4) [Figure 22].

**Figure 23**



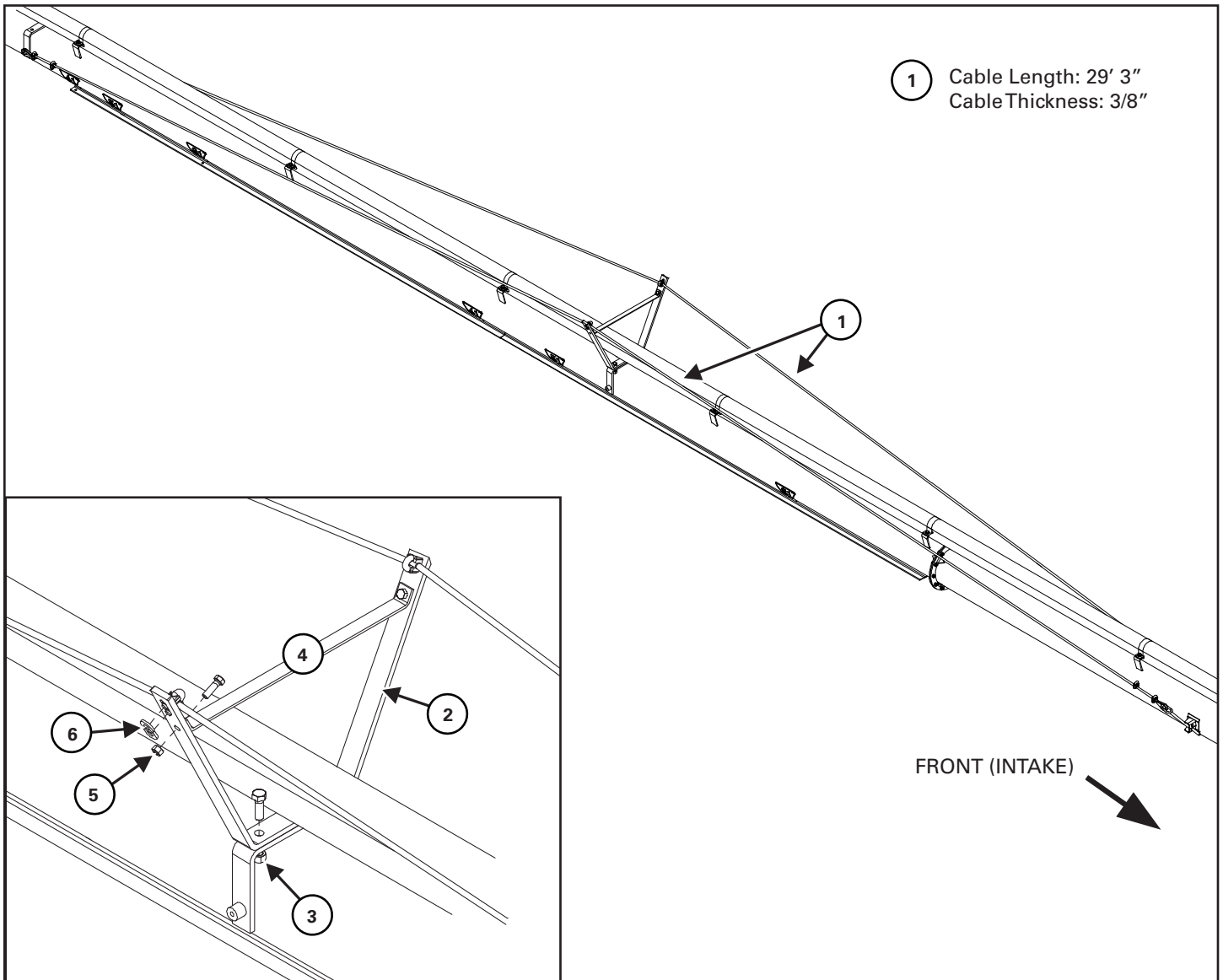
*10" Models:* Position the gearbox cover (Item 1), then position the driveline cover (Item 2) on top of the gearbox. Attach both brackets using three 1/2" x 1" hex bolts and three 1/2" flat washers (Item 3). Attach the driveline cover and driveline shield with one 1/4" x 3/4" self drilling hex screw (Item 4) [Figure 23].



## BRIDGING ASSEMBLY & CABLE ROUTING

### 51 Ft. Models Bridging & Cable Assembly

Figure 24



Position the bridging yoke (Item 2) on the center mount on the top tube. Attach the yoke using two 1-1/2" x 1-3/4" hex bolts, two 1/2" flat washers, and two 1/2" lock nuts (Item 3) [Figure 24].

Install the yoke brace (Item 4) to the bridging yoke. Attach using two 3/8" x 1-1/4" hex bolts and two 1/2" lock nuts (Item 5) [Figure 24].

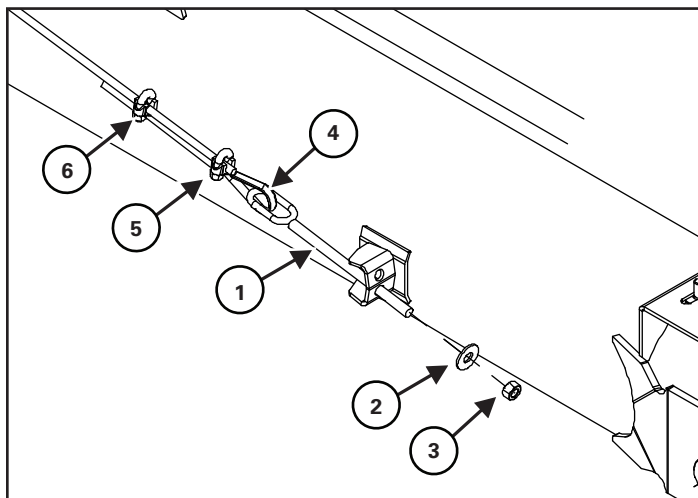
Do not tighten hardware at this time.

Position two cable clamps (Item 6) on the bridging yoke. Thread two 29' 3" cable (Item 1) through the clamps [Figure 24].

Center the entire lengths of the cables in the clamps. Route the ends of each cable toward the ends of the tube.

Do not tighten hardware at this time.

**Figure 25**



Install one 1/2" eye-bolt (Item 1) into the mounting bracket on the bottom tube. Attach using one 1/2" flat washer (Item 2) and one 1/2" hex nut (Item 3) [Figure 25].

Install one 3/8" thimble (Item 4) onto the eye-bolt [Figure 25].

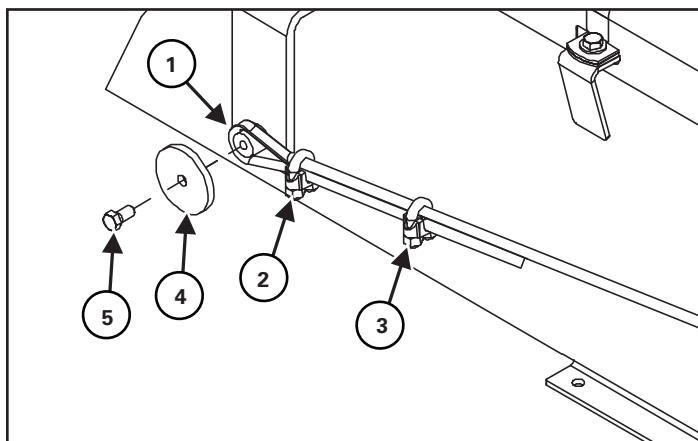
Thread 12" of the 3/8" cable through the thimble and fold back over. Pull cable tight.

Install the two 3/8" cable clamps (Item 5, 6) onto the two cable portions. Slide the first cable clamp (Item 5) as close to the thimble as possible and tighten [Figure 25].

Slide the second cable clamp (Item 6) approximately 2" from the end of the cable and tighten [Figure 25].

Repeat for the cable on the opposite side.

**Figure 26**



Install one 3/8" thimble (Item 1) onto the mounting stub on the top tube [Figure 26].

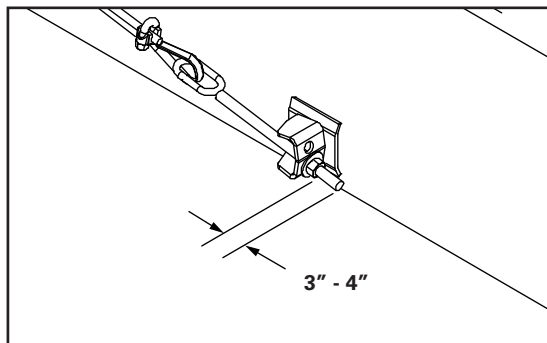
Thread 12" of the 3/8" cable through the thimble and fold back over. Pull cable tight.

Install the two 3/8" cable clamps (Item 2, 3) onto the two cable portions. Slide the first cable clamp (Item 2) as close to the thimble as possible and tighten [Figure 26].

Slide the second cable clamp (Item 3) approximately 2" from the end of the cable and tighten [Figure 26].

Install one ring clamp (Item 4) and one 3/8" x 3/4" hex bolt (Item 5) to the mounting stub [Figure 26].

Repeat for the cable on the opposite side.



Tighten each of the eye-bolts on the bottom tube until the threads are exposed 3" to 4" past the bracket.

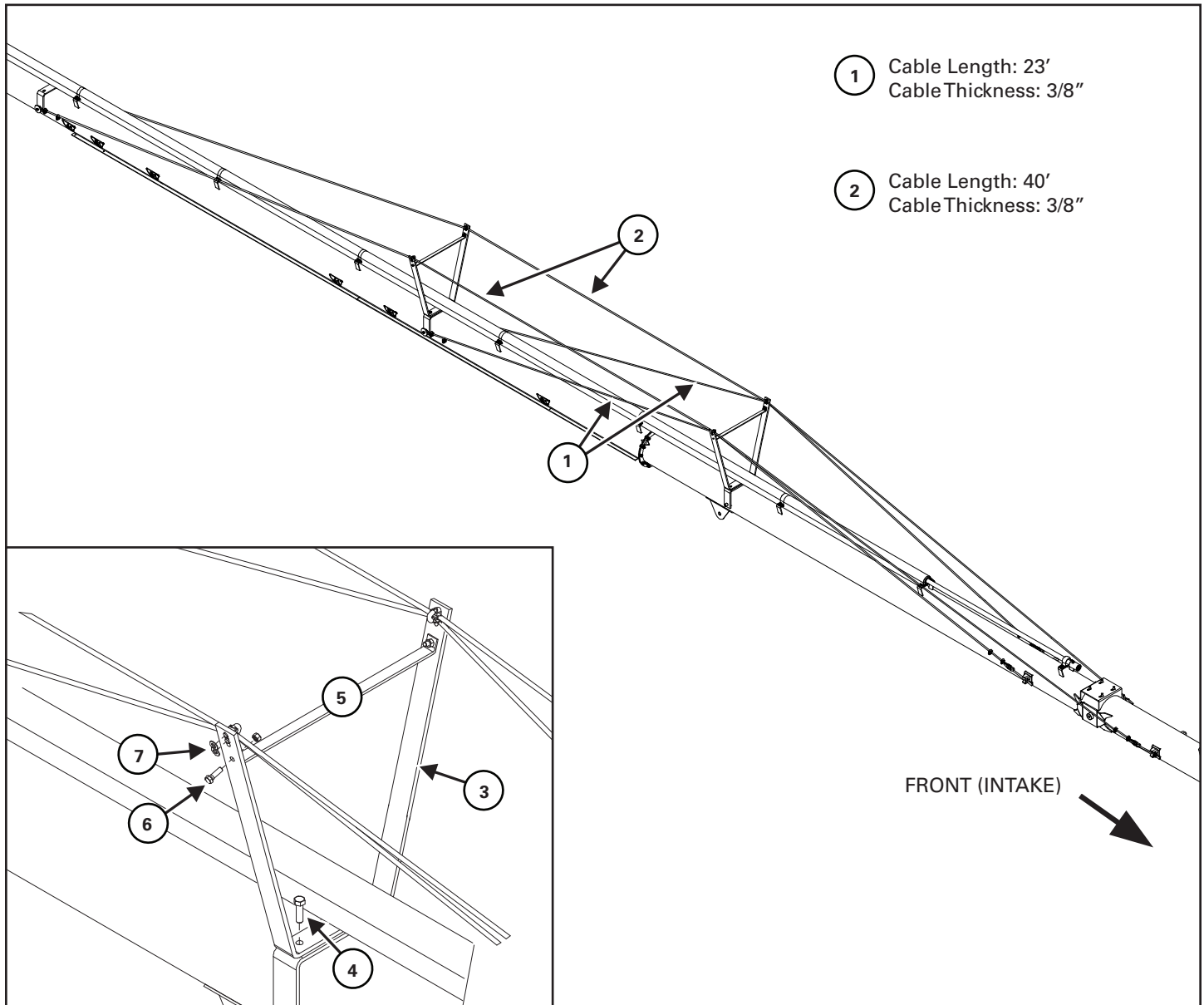
Stand behind the intake and look down the full length of the tube assembly to verify the tube is straight.

Adjust the cables to straighten the tube (left to right) as needed.

With the tube assembly straight and slightly bowed up, tighten all the cable clamps and bridging hardware.

**61 Ft. Models Bridging & Cable Assembly**

**Figure 27**



Position two bridging yokes (Item 3) on the tube mounts. Attach each yoke using two 1-1/2" x 1-3/4" hex bolts, two 1/2" flat washers, and two 1/2" lock nuts (Item 4) [Figure 27].

Install one yoke brace (Item 5) to each bridging yoke. Attach using two 3/8" x 1-1/4" hex bolts and two 1/2" lock nuts (Item 6) [Figure 27].

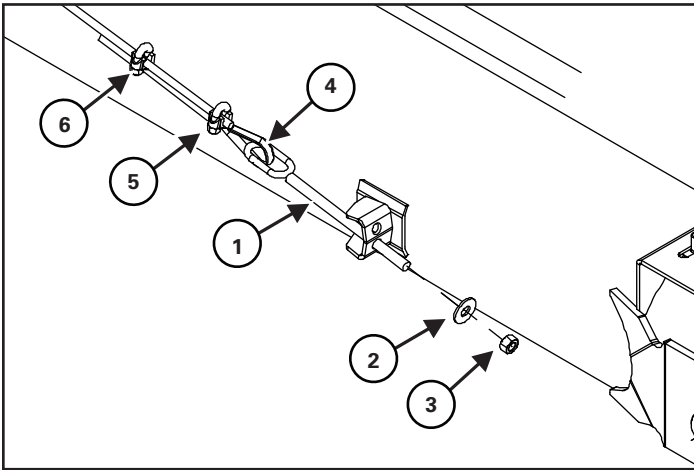
Position two cable clamps (Item 7) on each bridging yoke.

Do not tighten hardware at this time.

Thread two 40' cables (Item 2) through the clamps of both bridging yokes. Center the entire lengths of the cables in the clamps. Route the ends of each cable toward the ends of the tube [Figure 27].

Thread two 23' cables (Item 1) through the bridging yoke on the bottom tube. Center the entire lengths of the cables in the clamps. Route the ends of each cable toward the ends of the tube [Figure 27].

**Figure 28**



Install one 1/2" eye-bolt (Item 1) into the mounting bracket on the bottom tube. Attach using one 1/2" flat washer (Item 2) and one 1/2" hex nut (Item 3) [Figure 28].

Install one 3/8" thimble (Item 4) onto the eye-bolt [Figure 28].

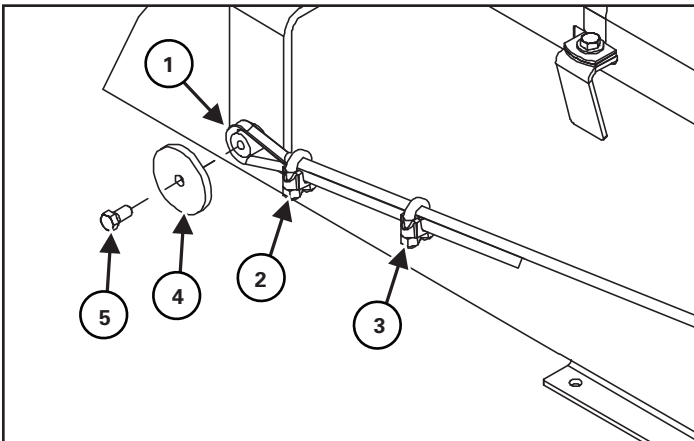
Thread 12" of the 3/8" cable through the thimble and fold back over. Pull cable tight.

Install the two 3/8" cable clamps (Item 5, 6) onto the two cable portions. Slide the first cable clamp (Item 5) as close to the thimble as possible and tighten [Figure 28].

Slide the second cable clamp (Item 6) approximately 2" from the end of the cable and tighten [Figure 28].

Repeat for the other three mounting bracket locations on the bottom tube.

**Figure 29**



Install one 3/8" thimble (Item 1) onto the mounting stub on the top tube [Figure 26].

Thread 12" of the 3/8" cable through the thimble and fold back over. Pull cable tight.

Install the two 3/8" cable clamps (Item 2, 3) onto the two cable portions. Slide the first cable clamp (Item 2) as close to the thimble as possible and tighten [Figure 26].

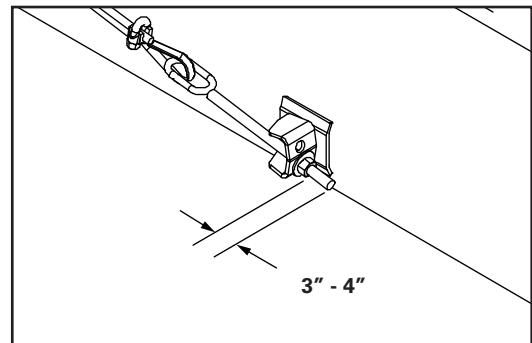
Slide the second cable clamp (Item 3) approximately 2" from the end of the cable and tighten [Figure 26].

Install one ring clamp (Item 4) and one 3/8" x 3/4" hex bolt (Item 5) to the mounting stub [Figure 26].

Repeat for the other three mounting stub locations on the top tube.

!

# IMPORTANT



Tighten each of the eye-bolts on the bottom tube until the threads are exposed 3" to 4" past the bracket.

Stand behind the intake and look down the full length of the tube assembly to verify the tube is straight.

Adjust the cables to straighten the tube (left to right) as needed.

With the tube assembly straight and slightly bowed up, tighten all the cable clamps and bridging hardware.

**DISCHARGE SPOUT ASSEMBLY**

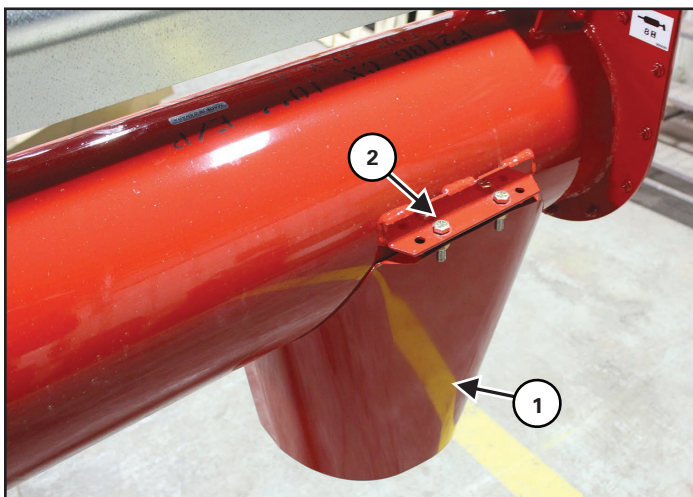
Only 10" augers are equipped with a discharge spout.

**Figure 30**



Raise the discharge end of the tube assembly using an approved lifting device (Item 1) [Figure 30].

**Figure 31**



Position the discharge spout (Item 1) on the mounting brackets. Attach using four 3/8" x 1-1/2" hex bolts and four 3/8" lock nuts (Item 2) [Figure 31].

 **WARNING**



**DO NOT** permit bystanders to be in the work area when unloading and assembling components.

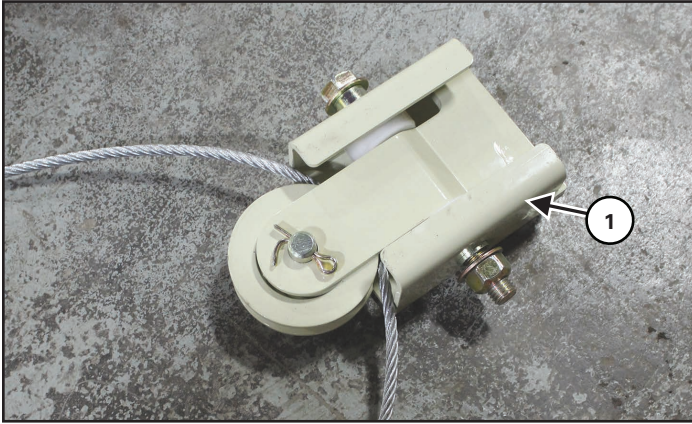
**DO NOT** work under suspended parts.

**Keep away** from moving parts.

**Always use** lifting devices / vehicles, chains or straps of adequate size and strength when unloading and assembling components.

## UNDERCARRIAGE ASSEMBLY

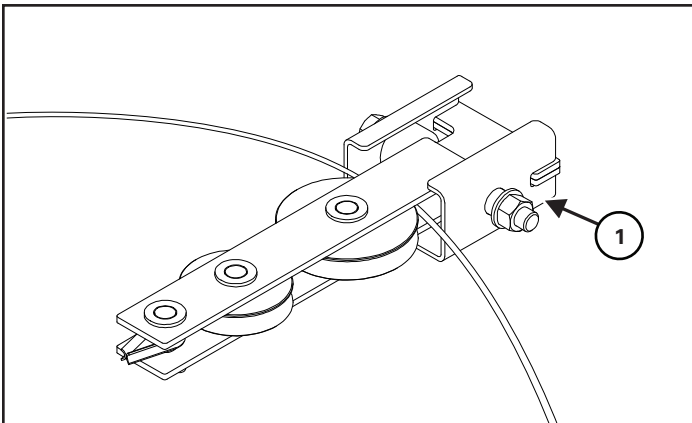
**Figure 32**



*41' & 51' Models:* Thread the 5/16" x 58' 3" cable through the track roller (Item 1) [Figure 32].

Center the length of the cable in the track roller.

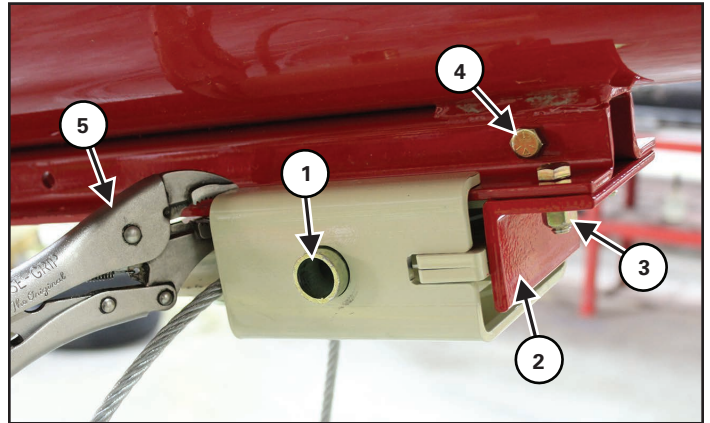
**Figure 33**



*61' Models:* Thread the 5/16" x 124' cable through the track roller (Item 1) [Figure 33].

Center the length of the cable in the track roller.

**Figure 34**

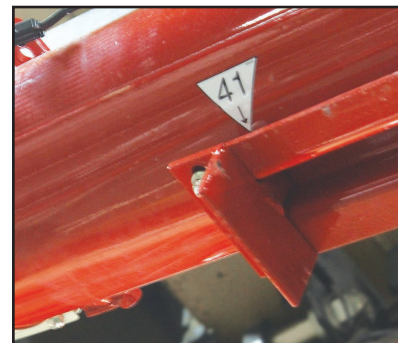


Slide the track roller onto the track at the discharge end.

Remove the 3/4" x 7.5" hex bolt, two 3/4" flat washers, and 3/4" lock nut (Item 1) [Figure 34] from the track roller.

Install the track stop (Item 2) at the end of the track. Attach the stop to the track using two 3/8" x 1" hex bolts, two 3/8" flat washers, and one 3/8" lock nut (Item 3). Attach the stop through the track using one 3/8" x 2-1/4 hex bolt and one 3/8" lock nut (Item 4) [Figure 34].

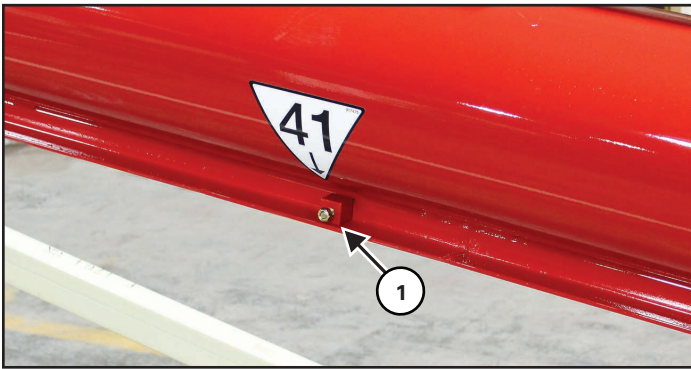
**! IMPORTANT**



**Install the track stop at the location corresponding with the auger model decal.**

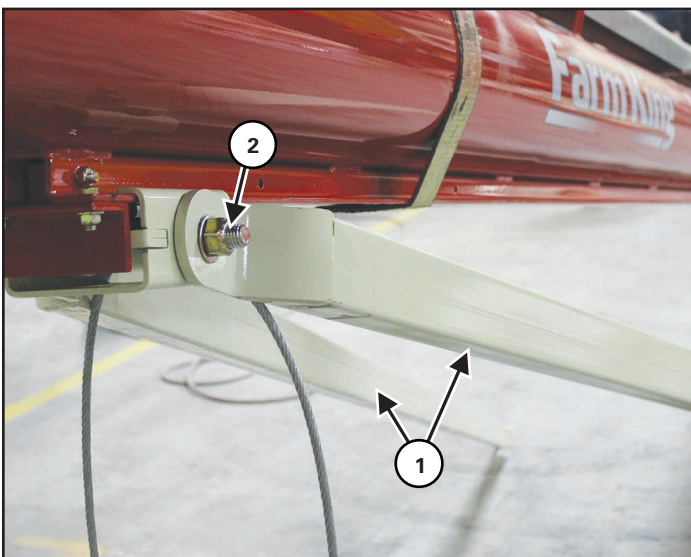
Slide the track roller against the track stop and secure using a clamp or vise grips (Item 5) [Figure 34].

**Figure 35**



Install the mid-track stop (Item 1) at the location corresponding with the auger model decal. Attach using one 3/8" x 4-1/2" hex bolt and one 3/8" lock nut [Figure 35].

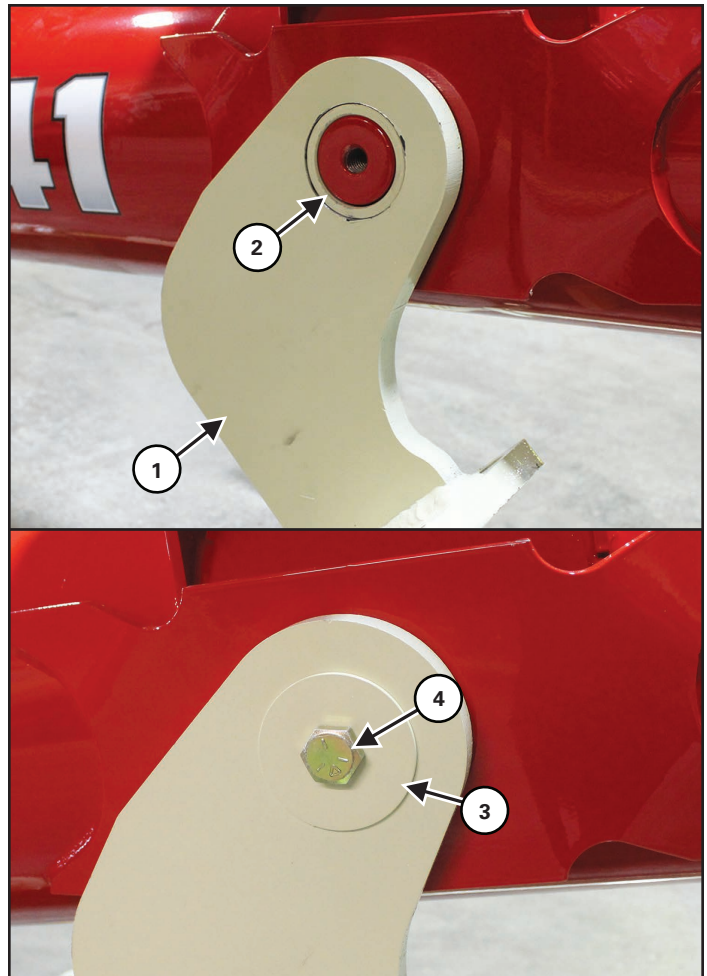
**Figure 36**



Install the LH and RH lift arms (Item 1) to the track roller. Attach using the 3/4" x 7-1/2" hex bolt, two 3/4" flat washers, and 3/4" lock nut (Item 2) [Figure 36].

Do not tighten hardware at this time.

**Figure 37**



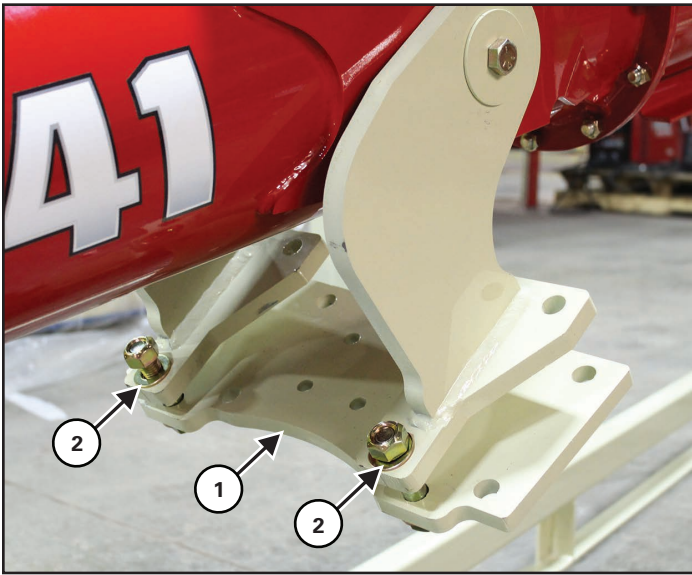
Position the LH pivot bracket (Item 1) and pivot bushing (Item 2) on the bottom tube LH mount stub [Figure 37].

Attach the LH pivot bracket using one spacer (Item 3) and one 5/8" x 1-1/2" hex bolt (Item 4) [Figure 37].

Repeat for the RH pivot bracket.

Do not tighten hardware at this time.

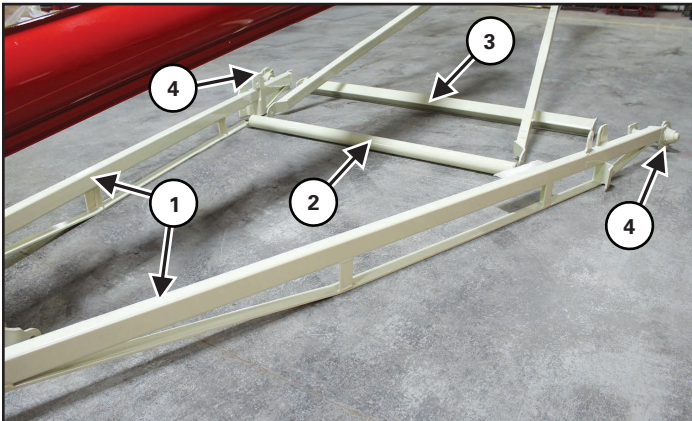
**Figure 38**



Align the support plate (Item 1) with the pivot brackets. Attach the support plate at the two lower holes using two 3/4" x 3-1/2" hex bolt, four 3/4" flat washers (both sides), and two 3/4" lock nuts (Item 2) [Figure 38].

Do not tighten hardware at this time.

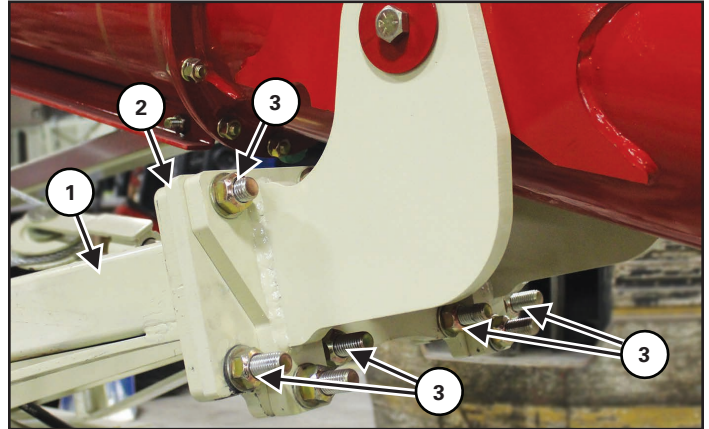
**Figure 39**



Organize the undercarriage components before installation:

- LH and RH undercarriage weldments (Item 1)
- Cross brace weldment (Item 2)
- Axle weldment (Item 3)
- LH and RH wheel hubs (Item 4) [Figure 39]

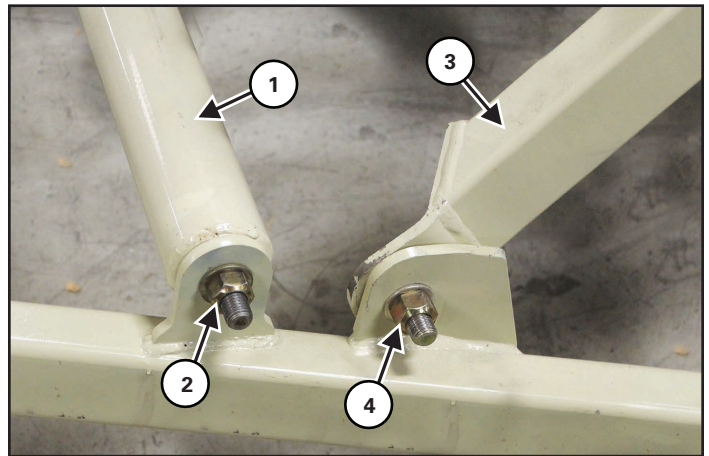
**Figure 40**



Align the LH and RH undercarriage weldments (Item 1) with the support plate (Item 2) [Figure 40].

Attach the undercarriage weldments, support plate, and pivot brackets using eight 3/4" x 3-1/2" hex bolt, sixteen 3/4" flat washers (both sides), and eight 3/4" lock nuts (Item 3) [Figure 40].

**Figure 41**



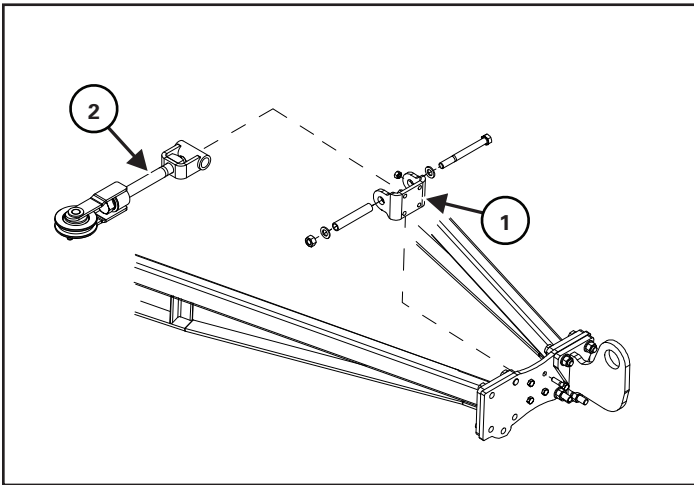
Position the cross brace weldment (Item 1) in the forward undercarriage weldment mount. Attach using one 1" spacer, one 3/4" flat washer, and one 3/4" lock nut (Item 2) [Figure 41].

Position the lift arm (Item 3) in the rear undercarriage weldment mount. Attach using one 3/4" x 2" hex bolt, two 3/4" flat washers (both sides), one spacer, and one 3/4" lock nut (Item 4) [Figure 41].

Repeat procedure for opposite undercarriage mounts. Do not tighten at this time.



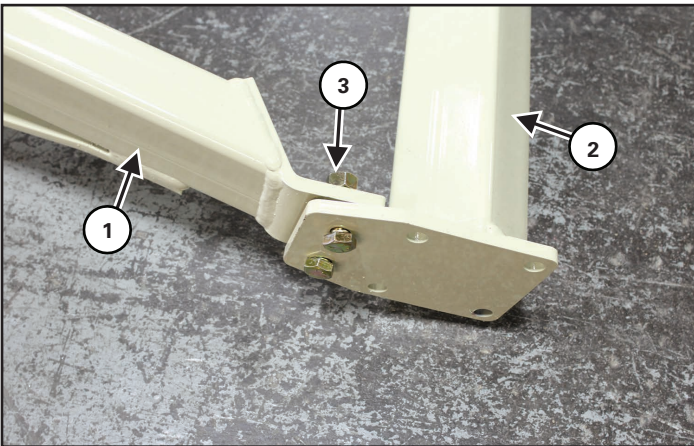
**Figure 42**



Position the pivot bracket (Item 1) on support plate. Attach using four 1/2" x 2" hex bolts and four 1/2" lock nuts [Figure 42].

Position the pivot pulley (Item 2) on the pivot bracket. Attach using one 3/4" x 7-1/2" hex bolt, two 3/4" flat washers, and one 3/4" lock nut [Figure 42].

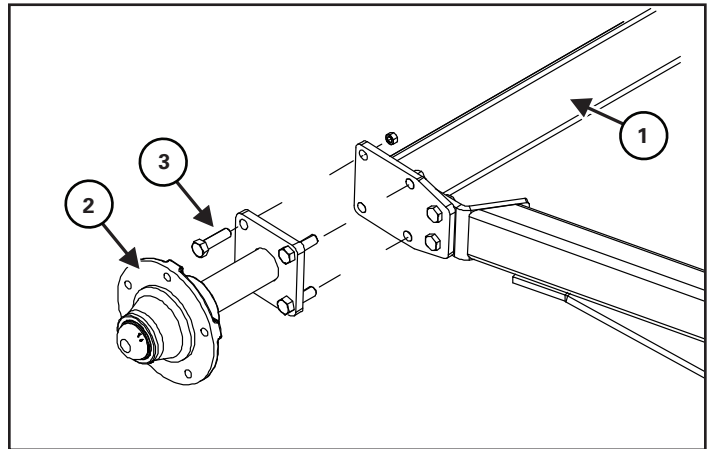
**Figure 43**



Position the undercarriage weldment (Item 1) with the axle weldment (Item 2). Attach using two 1/2" x 1-3/4" hex bolts and two 1/2" lock nuts (Item 3) [Figure 43].

Repeat procedure for opposite undercarriage mount. Do not tighten at this time.

**Figure 44**

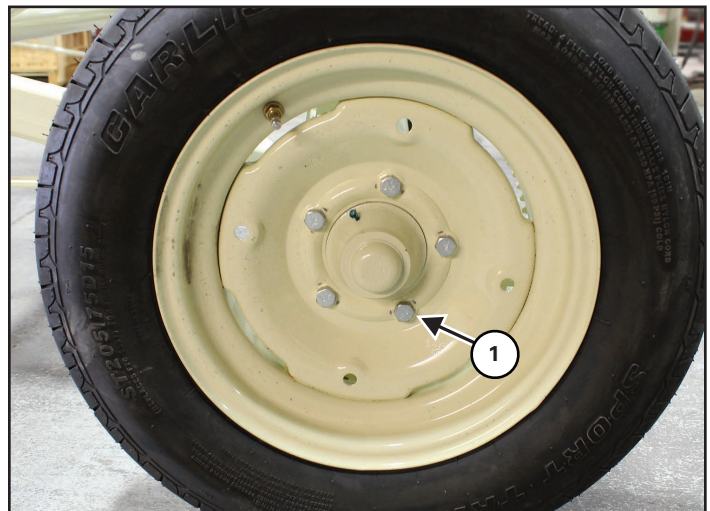


Raise the axle weldment (Item 1) with blocks or an approved lifting device [Figure 44].

Position the 5-bolt hub (Item 2) with the axle weldment. Attach using four 1/2" x 1-3/4" hex bolts and four 1/2" lock nuts (Item 3) [Figure 44].

Repeat procedure for opposite undercarriage mount. Tighten the axle hardware.

**Figure 45**



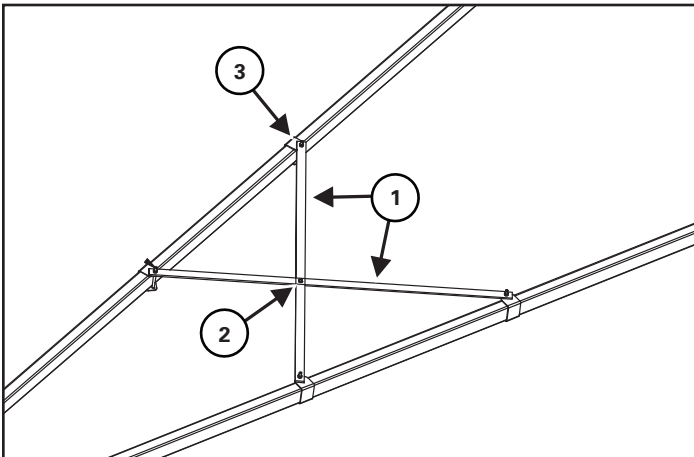
Install the tire / wheel with the valve stem facing out. Attach using five 1/2" x 1-1/4" wheel bolts (Item 1) . Tighten wheel bolts in a criss-cross pattern [Figure 45].

**Torque wheel bolts to 72 ft-lbs.**

Repeat for opposite hub.

Lower the axle and tires to the ground and remove lifting device.

Figure 46



*51' Models:* Position two cross braces (Item 1) on the LH and RH lift arms. Attach the center of the cross braces using one 3/8" x 1" hex bolt and one 3/8" lock nut (Item 2). Attach the cross brace mounts using four clamps, four 3/8" x 4-1/2" hex bolts, and four 3/8" lock nuts (Item 3) [Figure 46].



## IMPORTANT

Adjust tube assembly as needed until the tube assembly is centered on the undercarriage.

Slightly raise the tube assembly to take the weight off of the undercarriage.

Tighten all remaining undercarriage bolts.

Lower the tube assembly onto the undercarriage and remove the strap from tube assembly.



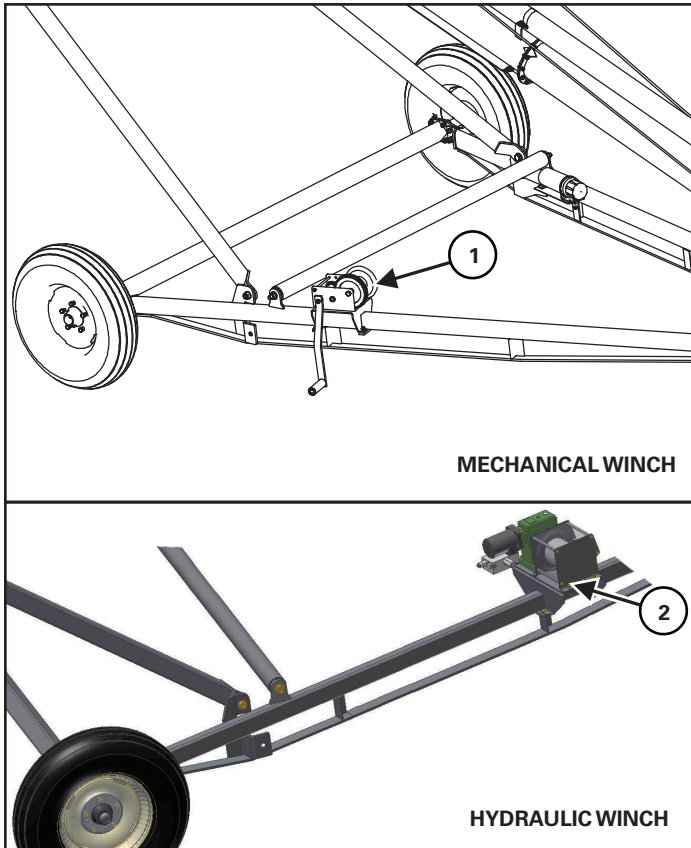
## IMPORTANT

Cross brace hardware threads must face up with bolt heads facing down.

## WINCH ASSEMBLY & CABLE ROUTING

### Winch Assembly

Figure 47



*Mechanical Winch:* Position the winch assembly (Item 1) on the rearward angle support on the right undercarriage weldment.

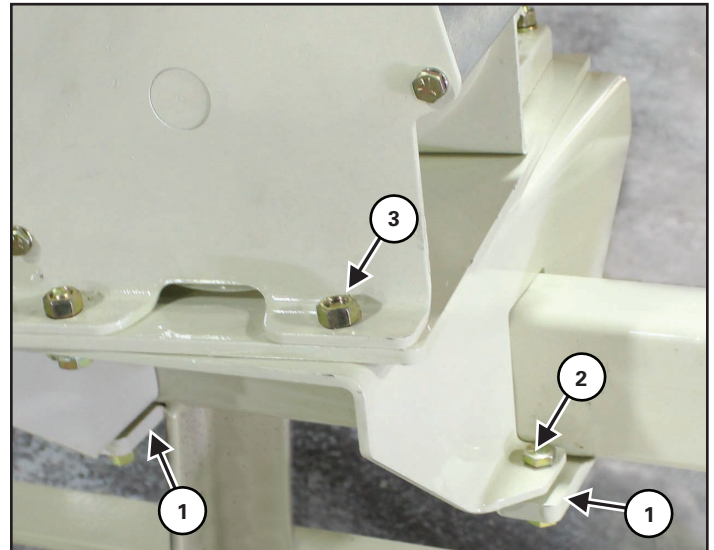
*Hydraulic Winch:* Position the winch assembly (Item 2) on the forward angle support on the right undercarriage weldment.



## IMPORTANT

The winch mount must be placed up against the undercarriage angle support to prevent movement along the arm [Figure 47].

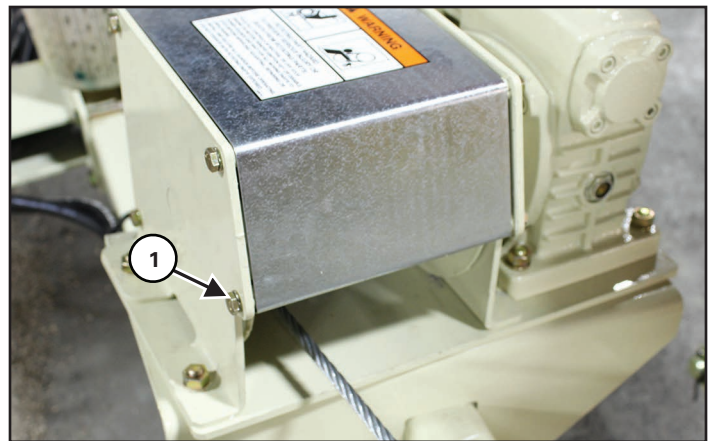
Figure 48



*Hydraulic & Mechanical Winches:* Install two mounting plates (Item 1) beneath the undercarriage weldment. Attach using four 3/8" x 1-1/4" hex bolts, four 3/8" flat washers, and four 3/8" lock nuts (Item 2) [Figure 48].

Loosen the mounting hardware (Item 3). Angle the mount to face in toward the tube. Tighten the mounting hardware [Figure 48].

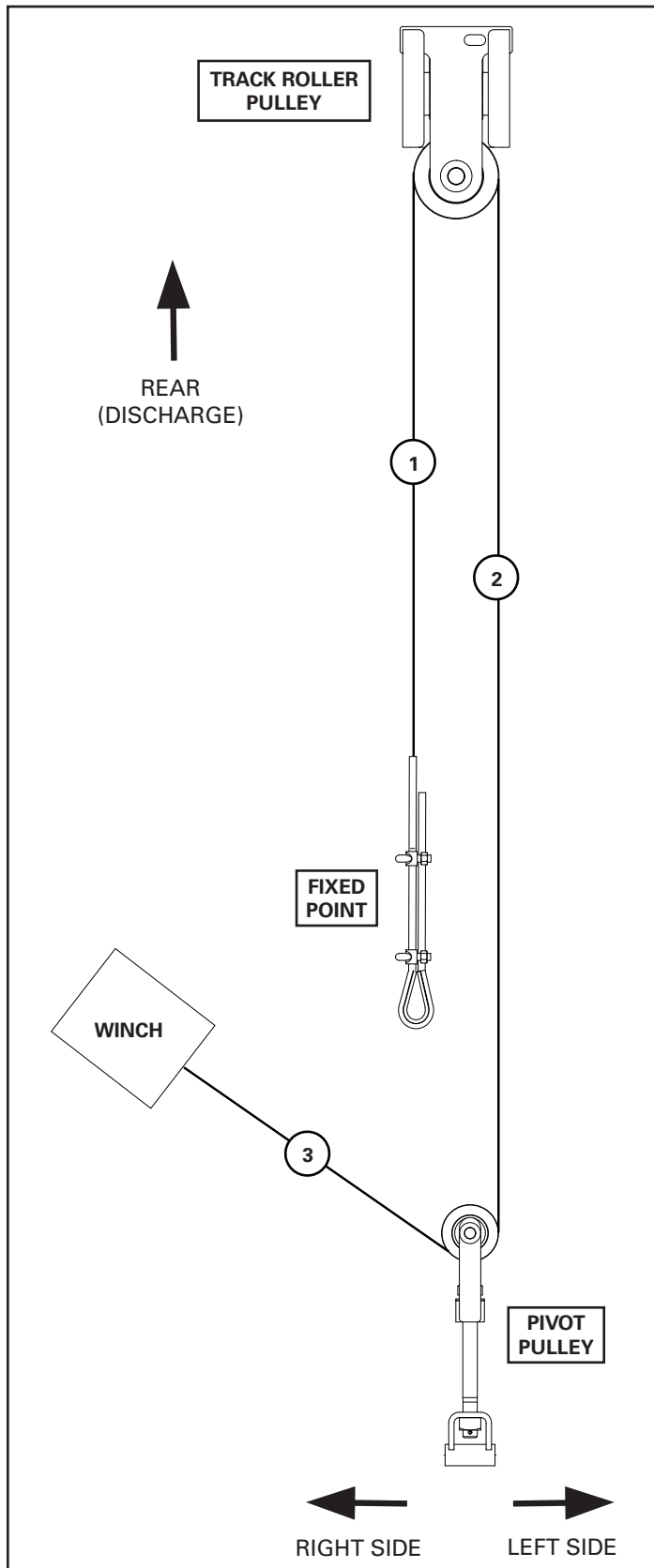
Figure 49



*Hydraulic Winches:* Remove the front hardware (Item 1) from the cover and set aside. Pull back the cover to expose the winch spool, to prepare for winding the cable [Figure 49].

### 41 Ft. & 51 Ft. Models Winch Cable Routing

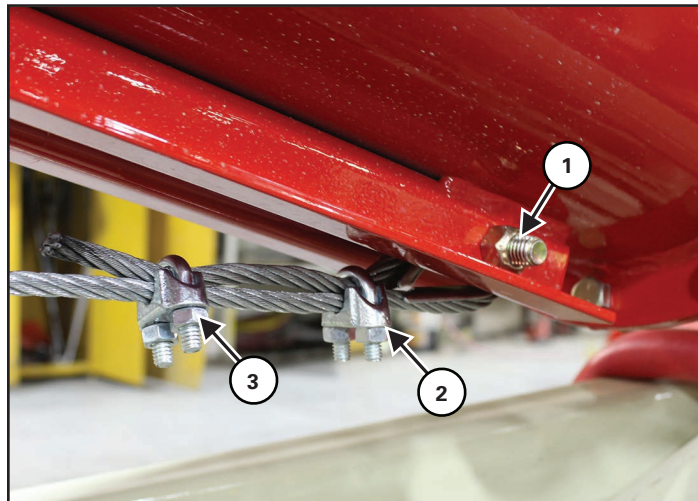
**Figure 50**



Thread the cable through the track roller pulley.

Route the cable (Item 1) from the track roller pulley to the fixed point at the end of the track **[Figure 50]**.

**Figure 51**



Install one 3/8" thimble at the hole at the fixed point at the end of the track. Attach using one 1/2" x 2-3/4" hex bolt, one 1/2" flat washer, and one 1/2" lock nut (Item 1) **[Figure 51]**.

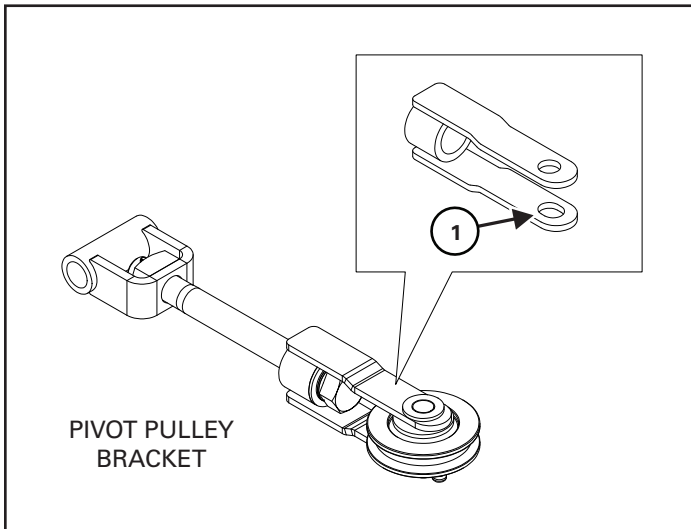
Thread 12" of the 3/8" cable (Item 1) through the thimble and fold back over. Pull cable tight **[Figure 50]**.

Install the two 3/8" cable clamps (Item 2, 3) onto the two cable portions. Slide the first cable clamp (Item 2) as close to the thimble as possible and tighten **[Figure 51]**.

Slide the second cable clamp (Item 3) approximately 2" from the end of the cable and tighten **[Figure 51]**.

Route the cable (Item 2) from the track roller pulley to the pivot pulley **[Figure 50]**.

Figure 52



Position the slotted hole (Item 1) of the pivot pulley bracket facing downwards [Figure 52].



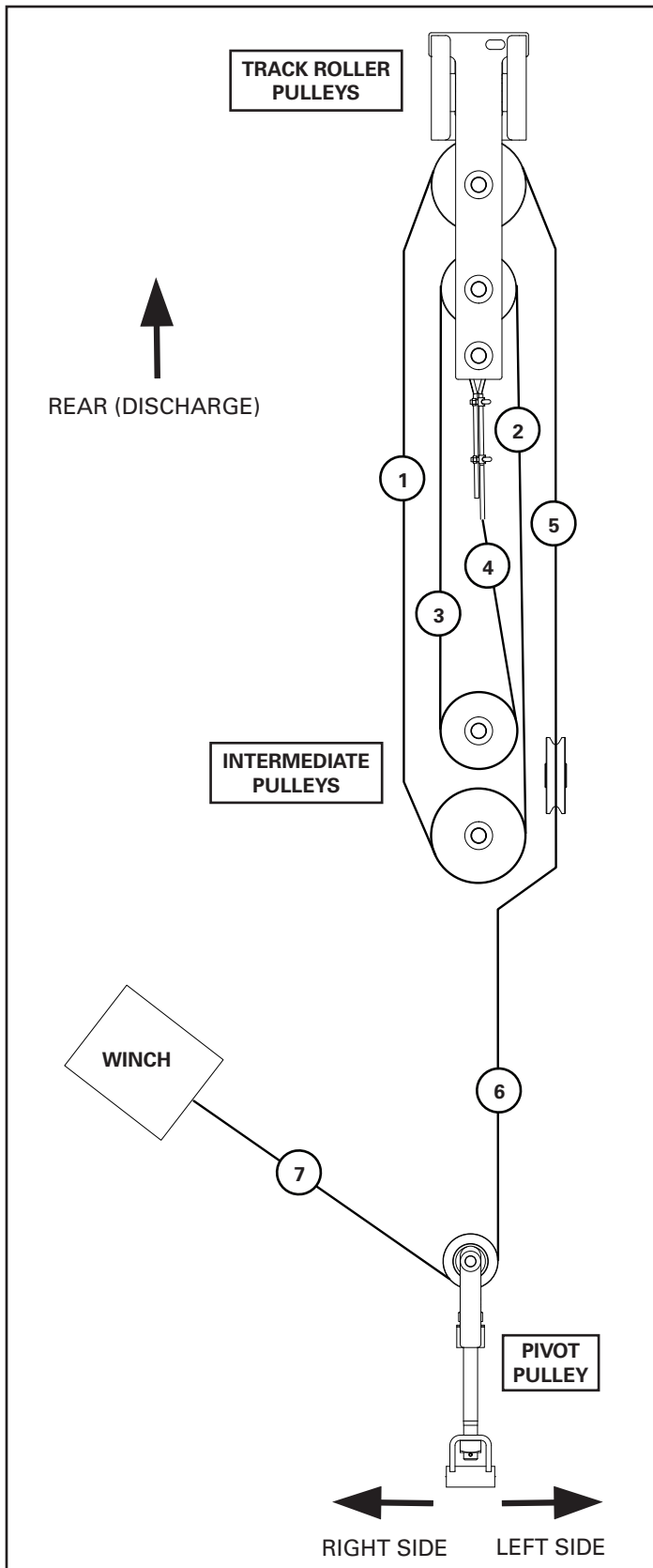
## IMPORTANT

The pivot pulley will angle away from the winch once tension is applied to the cable.

Route the cable (Item 3) from the pivot pulley to the winch [Figure 50].

### 61 Ft. Models Winch Cable Routing

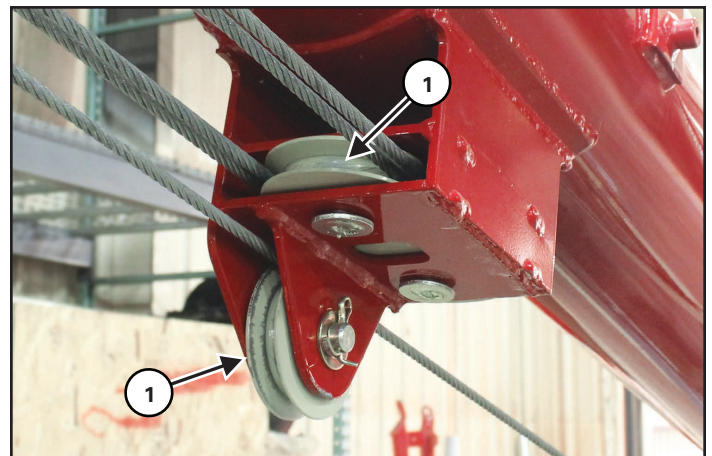
Figure 53



Thread the cable through the large pulley on the track roller. Route the cable from the right side of the pulley as follows:

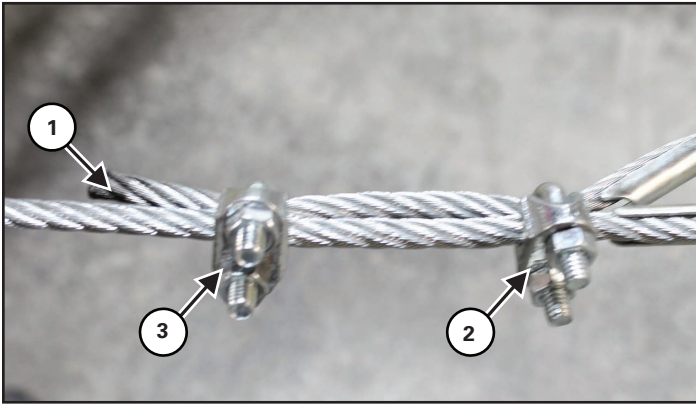
- Route the cable (Item 1) from the large track roller pulley to the large intermediate pulley.
- Route the cable (Item 2) from the large intermediate pulley to the small track roller pulley.
- Route the cable (Item 3) from the small track roller pulley to the small intermediate pulley.
- Route the cable (Item 4) from the small intermediate pulley to the fixed point on the track roller [Figure 53].

Figure 54



Remove and replace the pulleys (Item 1) from the intermediate pulley assembly, as required, to properly route cables [Figure 54].

Figure 55



Install one 3/8" thimble at the fixed point at the end of the track. Attach using one clevis pin and cotter pin.

Thread 12" of the 3/8" cable (Item 1) through the thimble and fold back over. Pull cable tight [Figure 55].

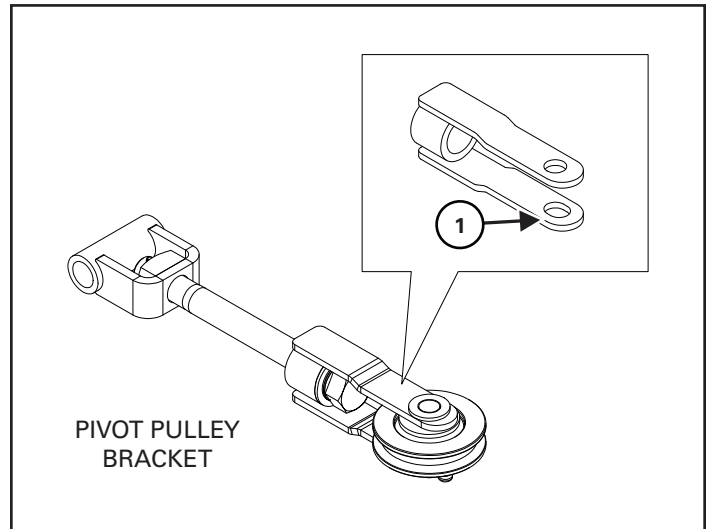
Install the two 3/8" cable clamps (Item 2, 3) onto the two cable portions. Slide the first cable clamp (Item 2) as close to the thimble as possible and tighten [Figure 55].

Slide the second cable clamp (Item 3) approximately 2" from the end of the cable and tighten [Figure 55].

From the large pulley on the track roller, route the cable from the left side of the pulley as follows:

- Route the cable (Item 5) from the large track roller pulley to vertical intermediate pulley.
- Route the cable (Item 6) from the vertical intermediate pulley to the pivot pulley [Figure 53].

Figure 56



Position the slotted hole (Item 1) of the pivot pulley bracket facing downwards [Figure 56].

!

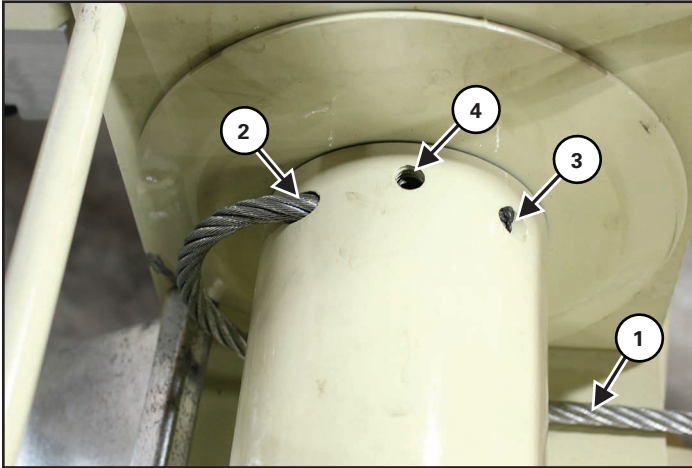
IMPORTANT

**The pivot pulley will angle away from the winch once tension is applied to the cable.**

Route the cable (Item 7) [Figure 53] from the pivot pulley to the winch.

## Winch Cable Assembly

**Figure 57**



Route the cable (Item 1) underneath the spool and into the mounting channel entrance hole (Item 2) [Figure 57].

Thread the cable through the mounting channel so it flush with the exit hole (Item 3) [Figure 57].

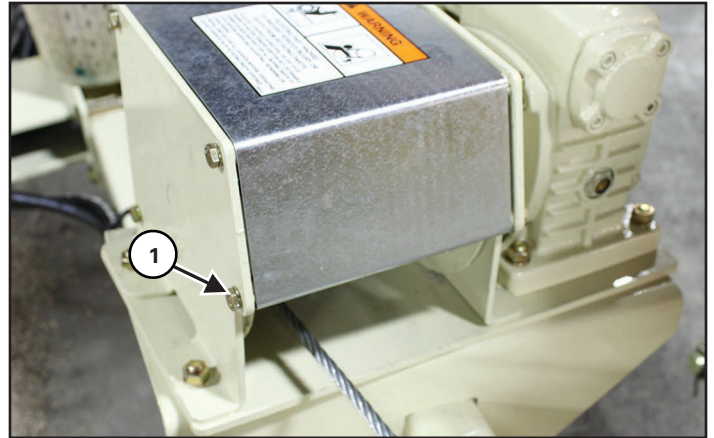
Secure the cable using one 3/8" x 3/8" socket set screw (Item 4) [Figure 57].

**Figure 58**



Wind the cable evenly from one end of the spool to the other [Figure 58].

**Figure 59**

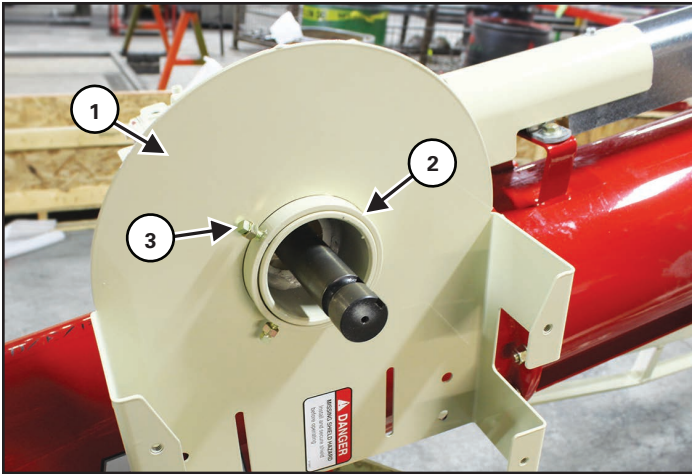


*Hydraulic Winches:* Reinstall the cover and hardware (Item 1) [Figure 59].



## UPPER BELT ASSEMBLY

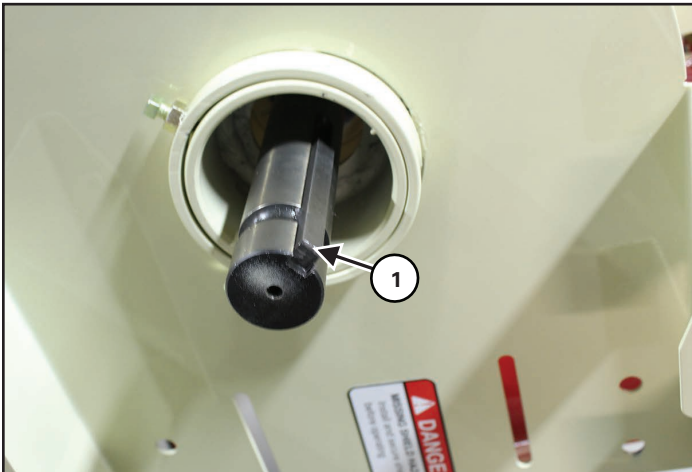
Figure 60



Position the belt guard (Item 1) [Figure 60] on the gearbox cover.

Position the belt guard ring (Item 2). Attach using two 5/16" x 3/4" square head set screws and two 5/16" hex nuts (Item 3) [Figure 60].

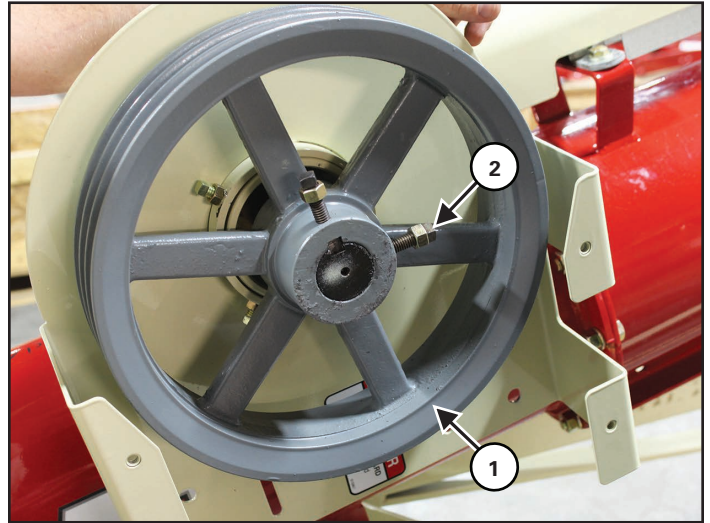
Figure 61



8" Models: Install one 1/4" x 2" key (Item 1) on the gearbox drive shaft [Figure 61].

10" Models: Install one 3/8" x 3-3/8" key (Item 1) on the gearbox drive shaft [Figure 61].

Figure 62

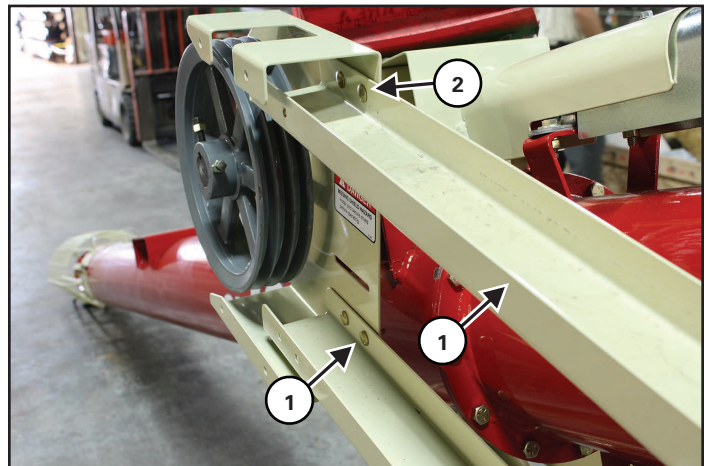


8" Models: Install one 12" double sheave (Item 1) to the gearbox drive shaft. Attach using two 3/8" x 1-1/4" square head set screws and 3/8" lock nuts (Item 2) [Figure 62].

10" Models: Install one 12" triple sheave (Item 1) to the gearbox drive shaft. Attach using two 3/8" x 1-1/4" square head set screws and 3/8" lock nuts (Item 2) [Figure 62].

Do not tighten sheave hardware at this time.

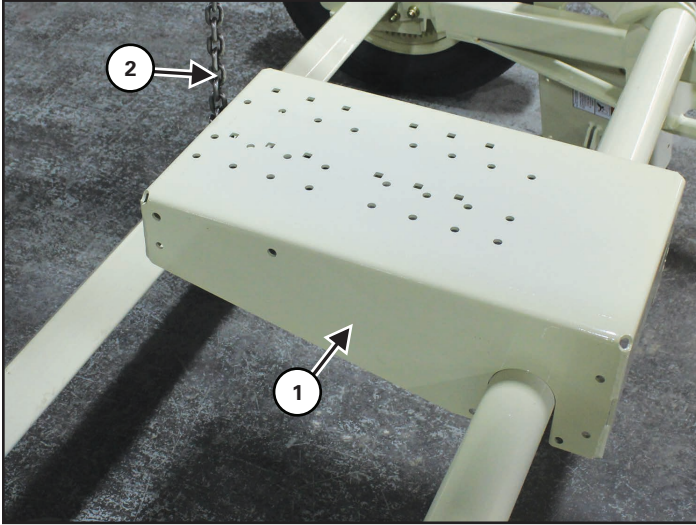
Figure 63



Attach the lower tray (Item 1) to the belt guard at the gearbox using two 5/16" x 3/4" carriage bolts, two 5/16" flat washers, and two 5/16" lock nuts (Item 2)

## GAS ENGINE, MANUAL LEVER OR ELECTRIC ACTUATOR ASSEMBLY

**Figure 64**

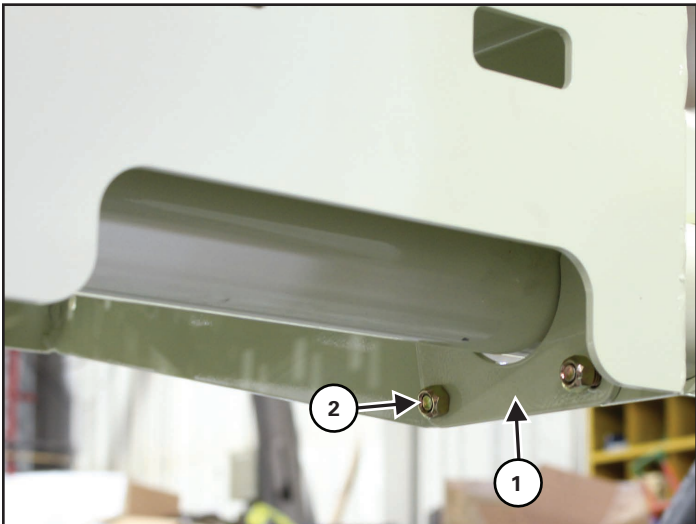


Position the engine mount (Item 1) on the cross brace. Support the hanging end with an approved lifting device (Item 2) [Figure 64].

Face the hanging end towards the discharge tube.

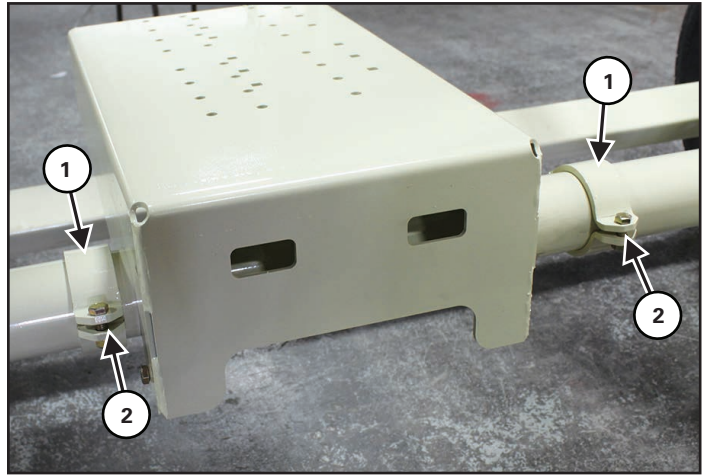
Check that the engine mount is level.

**Figure 65**



Secure the engine mount to the cross brace using two mounting brackets (Item 1). Attach using four 3/8" x 1" hex bolts and four 3/8" lock nuts (Item 2) [Figure 65].

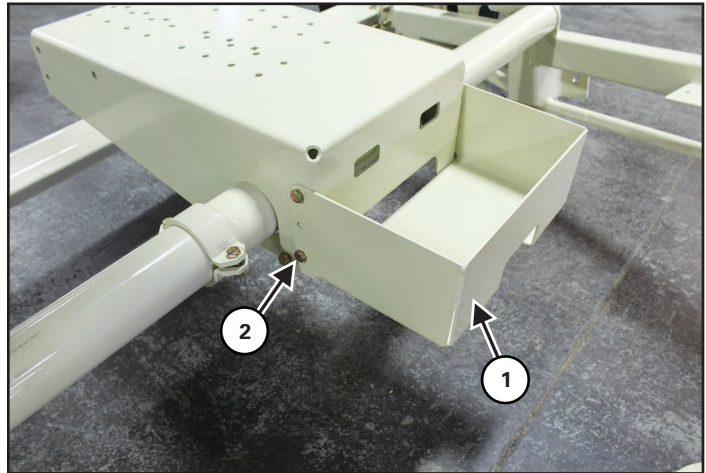
**Figure 66**



Attach two bracket clamps (Item 1) to each side of the engine mount on the cross brace. Attach each clamp pair with two 3/8" x 1-1/4" hex bolts and two 3/8" lock nuts (Item 2) [Figure 66].

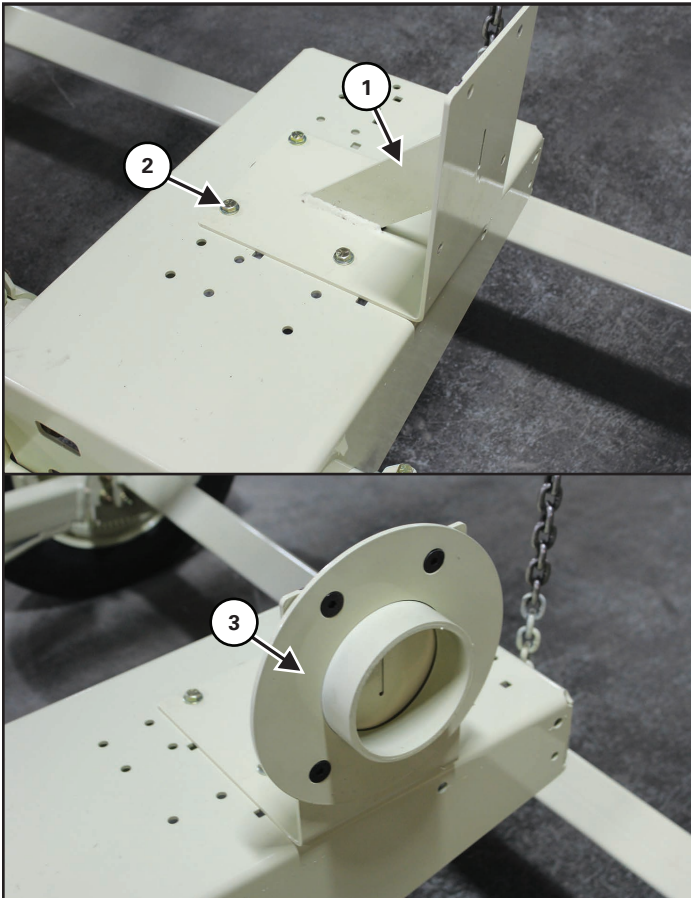
Do not tighten hardware at this time.

**Figure 67**



Position the battery holder (Item 1) on the engine mount. Attach using four 3/8" x 1" hex bolts and four 3/8" lock nuts (Item 2) [Figure 67].

Figure 68



Position the motor dummy bracket (Item 1) [Figure 68] on the motor mount.

Attach the bracket at the third set of holes (Item 2) [Figure 68] from the front. The bracket must face the RH side.

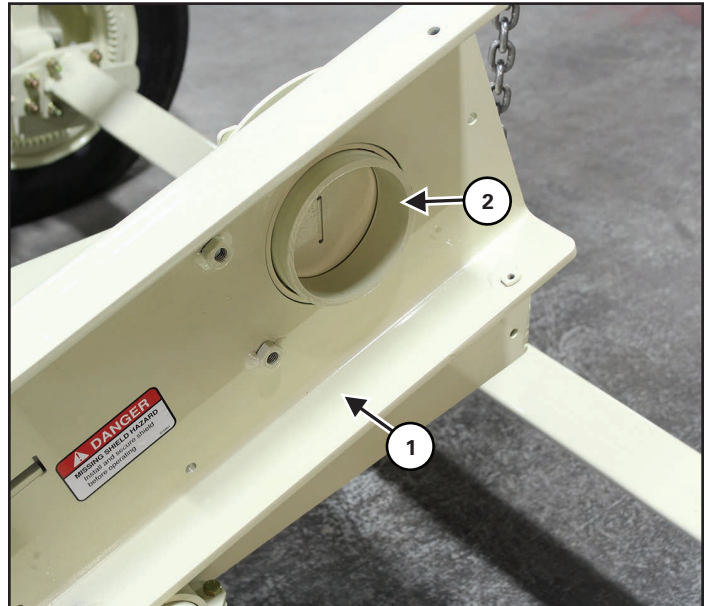
Attach the pulley dummy bracket (Item 3) [Figure 68].

!

IMPORTANT

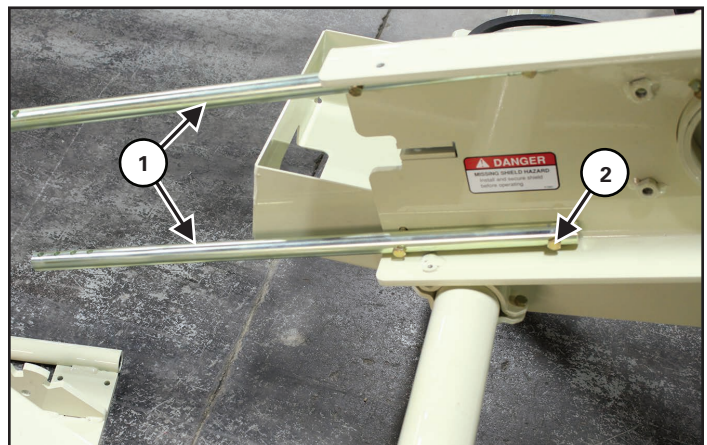
The dummy bracket is used when the engine is not assembled.

Figure 69



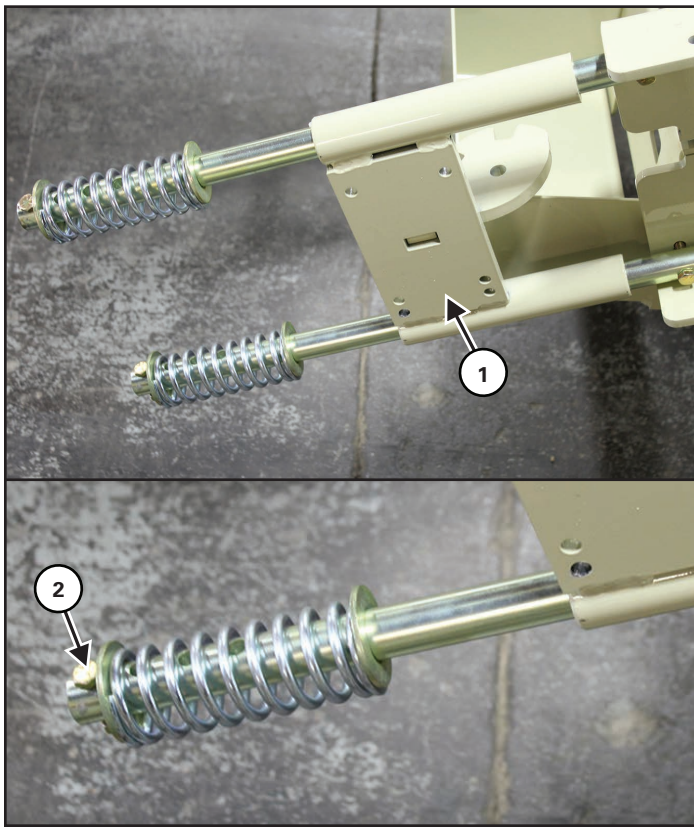
Position the belt guard (Item 1) on the dummy bracket (Item 2) [Figure 69].

Figure 70



Install two rods (Item 1) to the belt guard. Attach each rod with two 3/8" x 2-1/4" hex bolts and two 3/8" lock nuts (Item 2) [Figure 70].

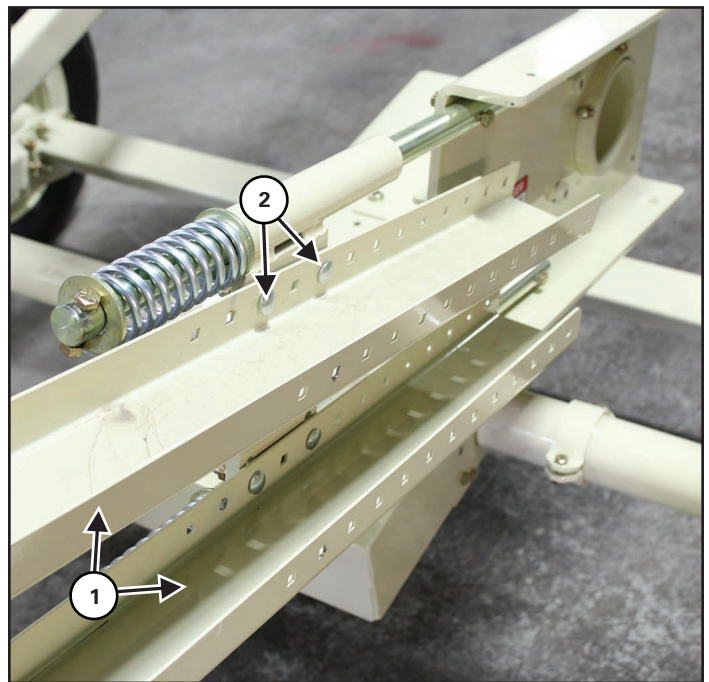
**Figure 71**



Install the slider weldment (Item 1) onto the two rods [Figure 71].

Install one 1" flat washer, one spring, and one 1" flat washer onto each rod. Attach one 3/8" x 1-1/2" hex bolt and one 3/8" lock nut (Item 2) onto the end hole of each rod [Figure 71].

**Figure 72**



Install the upper and lower belt trays (Item 1) to the slider weldment [Figure 72].

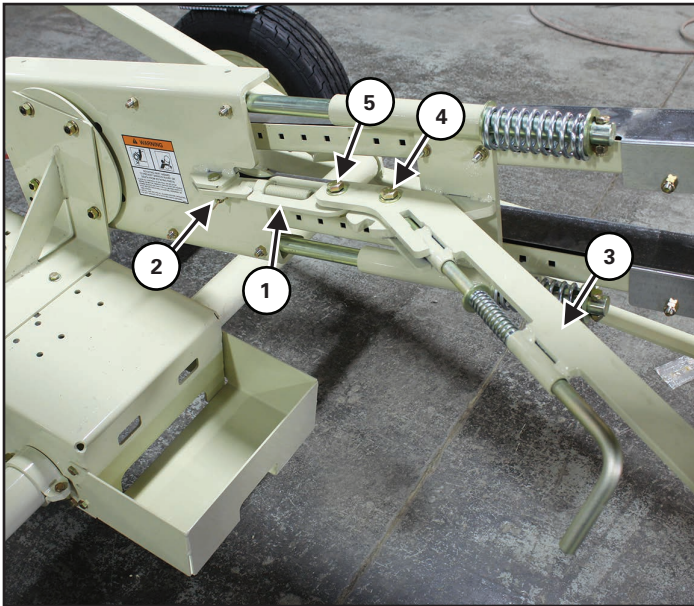
Attach each tray using two 5/16" x 1-1/2" carriage bolts, two 5/16" flat washers, and two 5/16" lock nuts (Item 2) [Figure 72].

**! IMPORTANT**



**For engine assemblies with a manual engagement lever, install the belt trays to the slider weldment using the third and fifth hole from the top.**

**Figure 73**

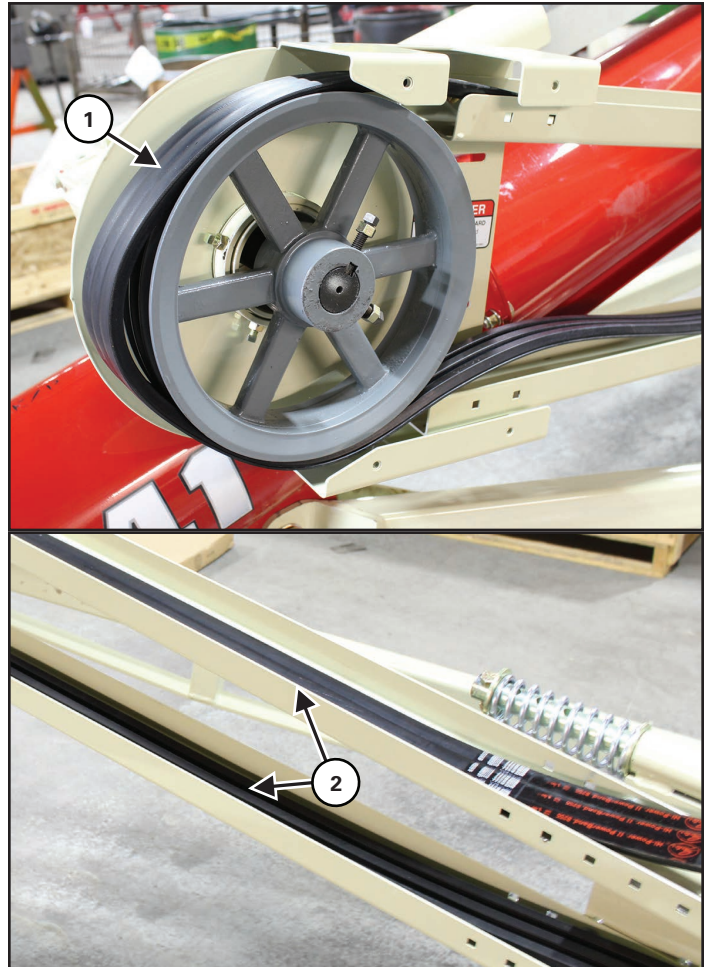


Install the lever linkage (Item 1) to the belt guard. Attach using one 1/2" x 2-1/4" clevis pin and one 1/8" x 1" cotter pin (Item 2) [Figure 73].

Install the lever (Item 3) to the slider weldment. Attach using one 1/2" x 2" hex bolt, one 1/2" flat washer, and one 1/2" lock nut (Item 4) [Figure 73].

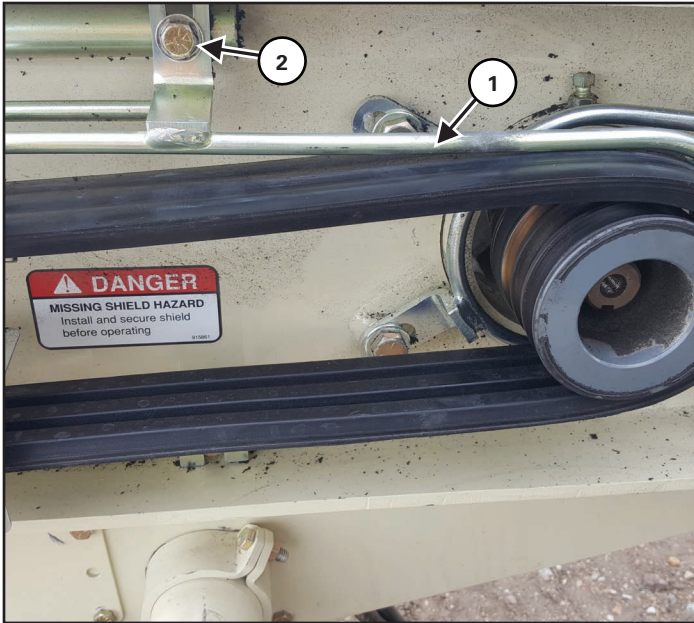
Attach the lever to the lever linkage using one 1/2" x 1-1/2" hex bolt, one 1/2" flat washer, and one 1/2" lock nut (Item 5) [Figure 73].

**Figure 74**



Align the belt around gearbox sheave (Item 1) and along the belt trays (Item 2) [Figure 74].

See "Belt Sizes" on page 202.

**Figure 75**

Install the belt guide (Item 1) [Figure 75] to the belt guard.

Reuse the two 3/8" x 2-1/4" hex bolts and two 3/8" lock nuts. Attach hardware including two 3/8" flat washers (Item 2) [Figure 75].

Position the belt within the guide.



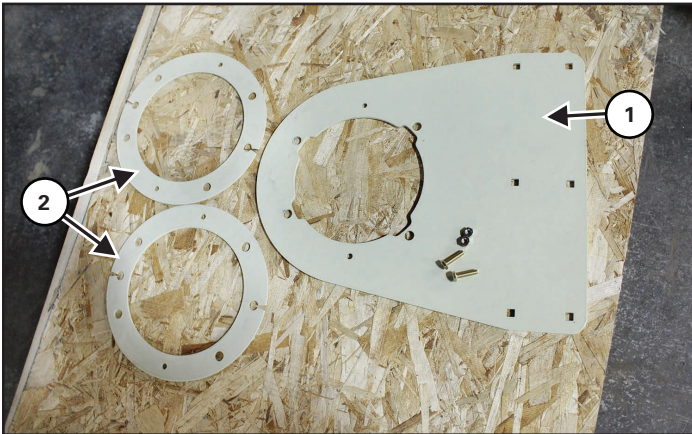
## IMPORTANT

[Figure 75] depicts the belt guard with pulley and motor installed.

Contact your dealer for proper engine installation.

## GAS ENGINE OR ELECTRIC MOTOR, ELECTRIC CLUTCH ASSEMBLY

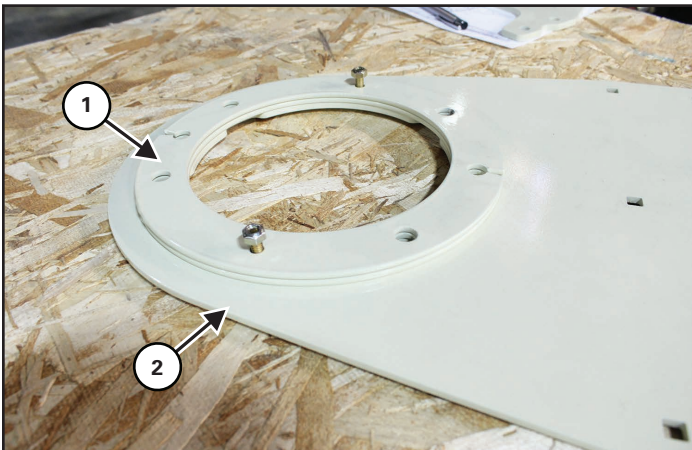
**Figure 76**



Organize the parts needed to assemble the mount plates:

- One pivot plate (Item 1)
- Two 9" OD ring plates (Item 2) [Figure 76]

**Figure 77**

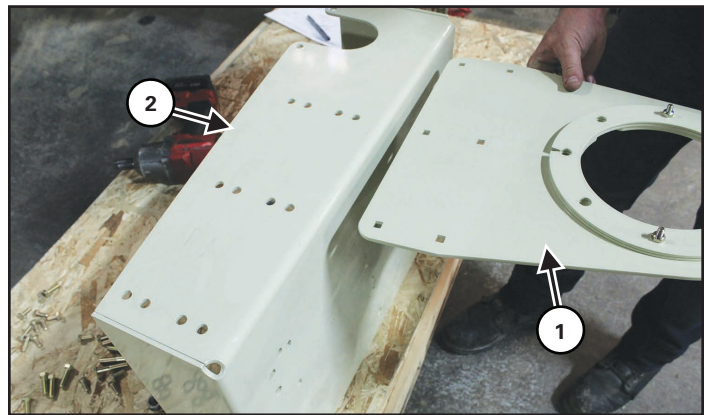


Position the two ring plates (Item 1) over the opening of the pivot plate (Item 2). Make sure the bolt holes of the plates are aligned [Figure 77].

Attach plates using two 1/4" x 1-1/4" hex bolts and two 1/4" lock nuts.

Do not tighten bolts at this time.

**Figure 78**



Position the pivot plate assembly (Item 1) on the engine mount (Item 2) [Figure 78].

Use the lower set of holes for 8" CX2 Augers equipped with an electric motor.

Use the upper set of holes for all other CX2 Auger models.

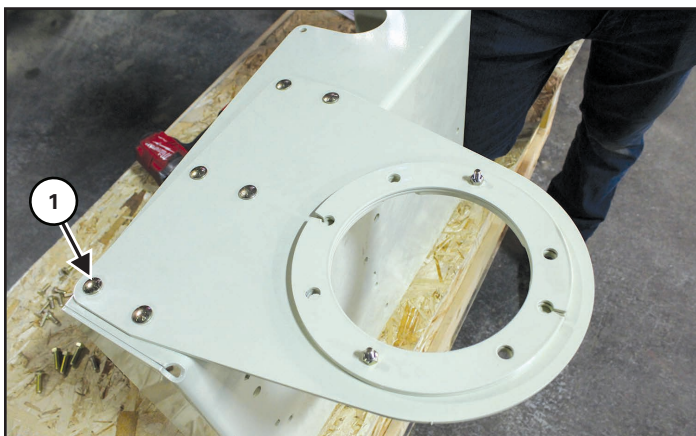
!

# IMPORTANT



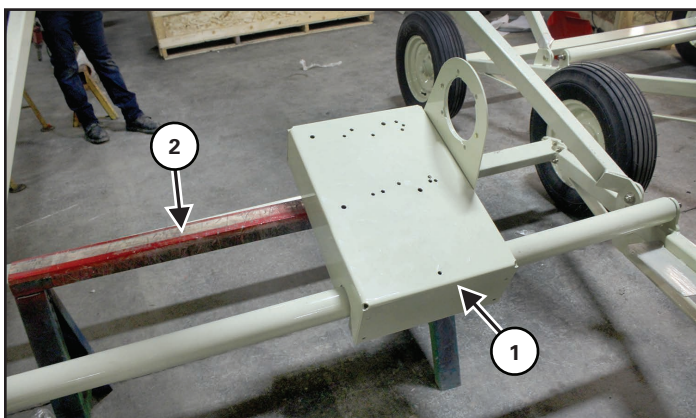
**The engine driveline should be centered in the opening of the pivot plates once assembled.**

**Figure 79**



Attach the pivot plate to the engine mount using six 5/16" x 1" carriage bolts (Item 1) and six 5/16" lock nuts [Figure 79].

**Figure 80**

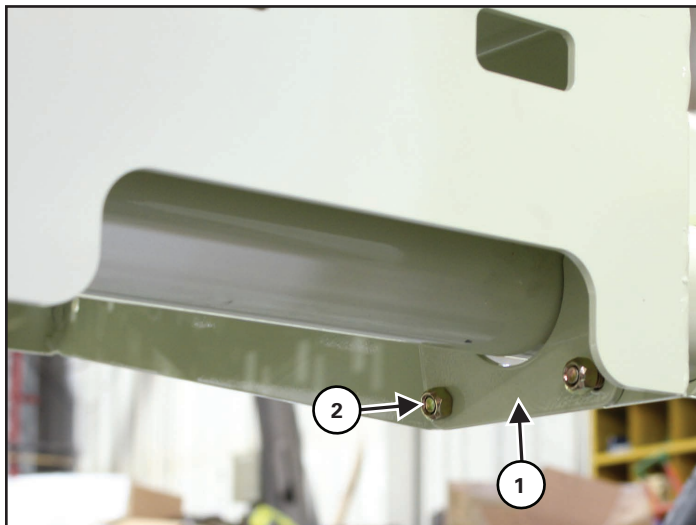


Position the engine mount (Item 1) on the cross brace. Support the hanging end with an approved stand (Item 2) or lifting device [Figure 80].

Face the hanging end of the mount towards the discharge tube.

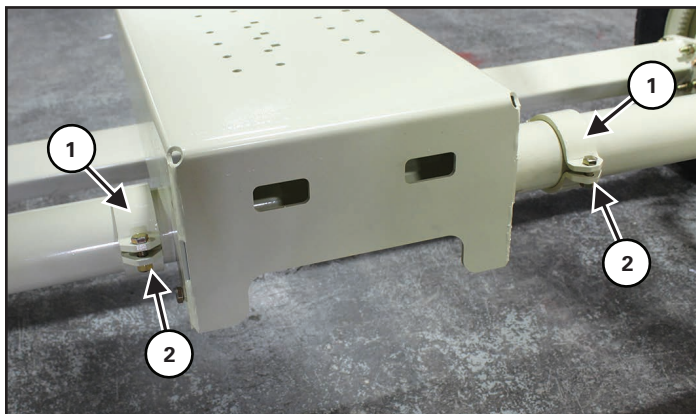
Check that the engine mount is level.

**Figure 81**



Secure the engine mount to the cross brace using two mounting brackets (Item 1). Attach using four 3/8" x 1" hex bolts and four 3/8" lock nuts (Item 2) [Figure 81].

**Figure 82**

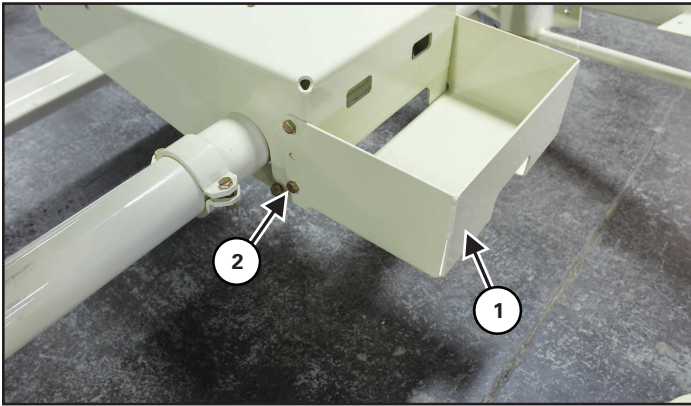


Attach two bracket clamps (Item 1) to each side of the engine mount on the cross brace. Attach each clamp pair with two 3/8" x 1-1/4" hex bolts and two 3/8" lock nuts (Item 2) [Figure 82].

Do not tighten hardware at this time.

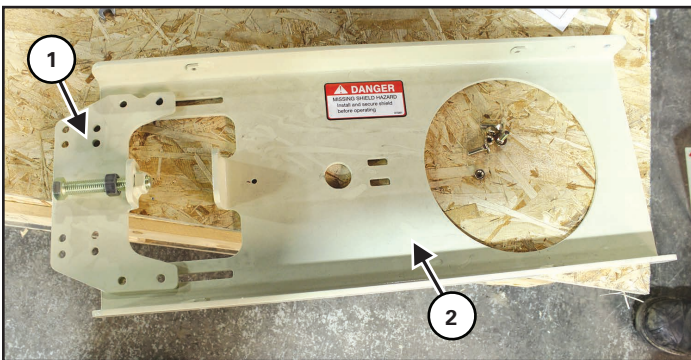


**Figure 83**



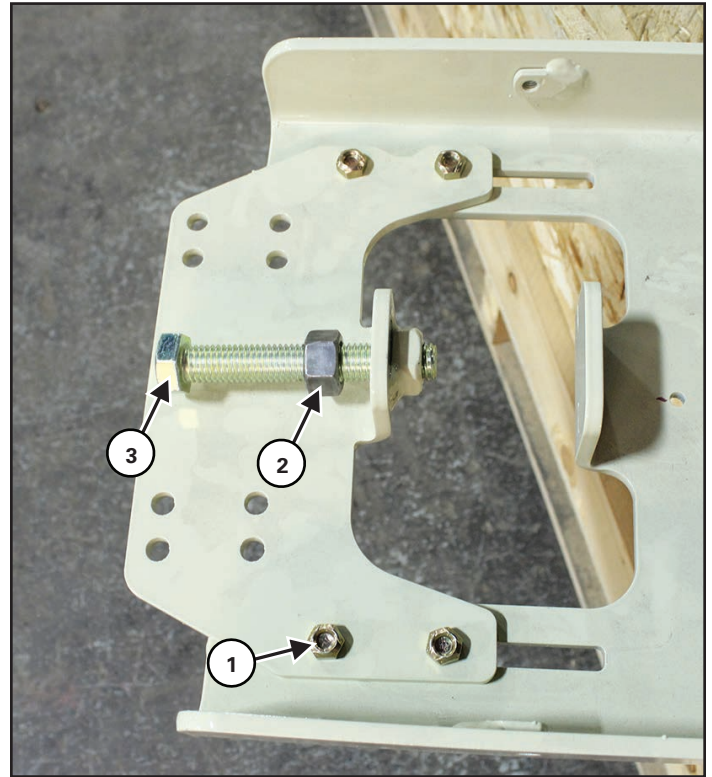
Position the battery holder (Item 1) on the engine mount. Attach using four 3/8" x 1" hex bolts and four 3/8" lock nuts (Item 2) [Figure 83].

**Figure 84**



Position the slider weldment (Item 1) over the slots on the belt guard (Item 2) [Figure 84].

**Figure 85**



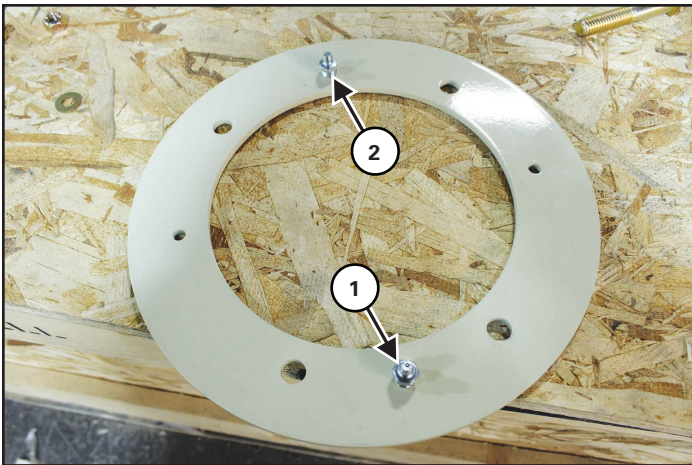
Attach the slider weldment using four 5/16" x 1" carriage bolts (Item 1) and four 5/16" lock nuts [Figure 85].

Thread one 5/8" hex nut (Item 2) onto a 5/8" x 4" hex bolt (Item 3) [Figure 85].

Attach the 5/8" x 4" hex bolt to the slider weldment as shown.

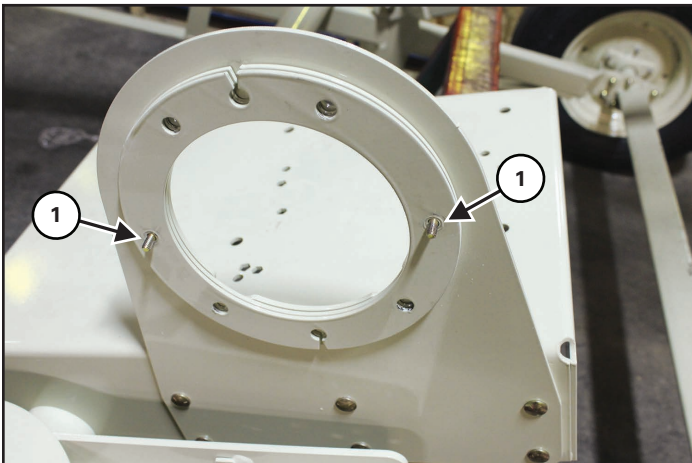
Do not tighten hardware at this time.

**Figure 86**



Install two grease zerks at the top (Item 1) and bottom (Item 2) holes of one 10" OD ring plate [Figure 86].

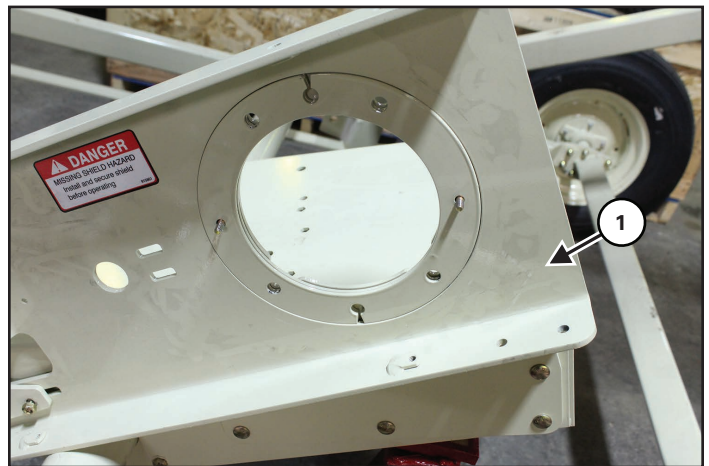
**Figure 87**



Remove the 1/4" lock nuts from the plate assembly. Leave the two 1/4" hex bolts (Item 1) in place [Figure 87].

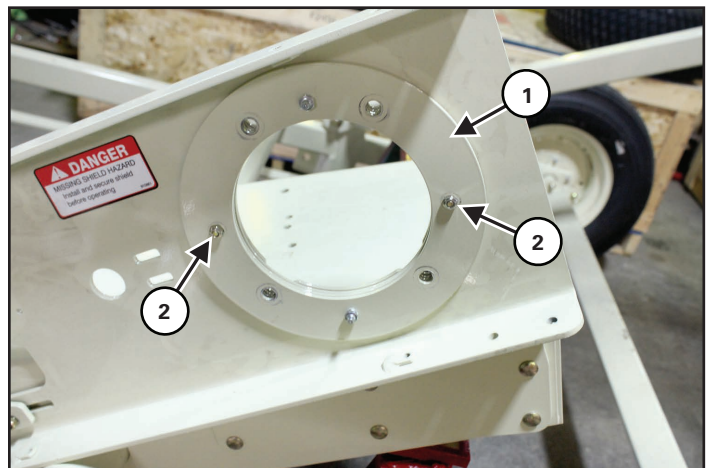
Make sure the assembly stays together.

**Figure 88**



Position the opening of the belt guard (Item 1) over the ring plates [Figure 88].

**Figure 89**

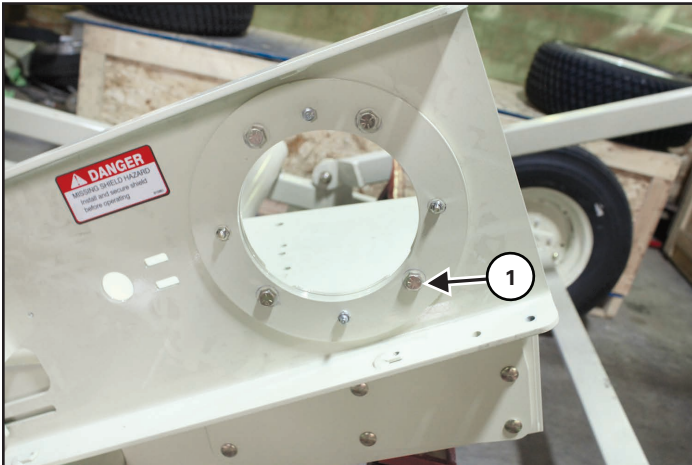


Position the 10" OD ring plate with grease zerks (Item 1) over the belt guard opening. Make sure the bolt holes of all plates are aligned [Figure 89].

Install two 1/4" lock nuts (Item 2) to the two 1/4" hex bolts already in place [Figure 89].

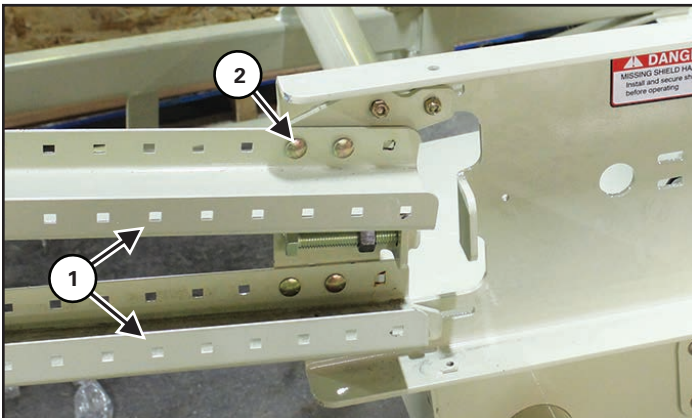
Tighten hardware.

Figure 90



Install four 7/16" x 1-1/4" hex bolts (Item 1) and four 7/16" lock nuts to the aligned holes [Figure 90].

Figure 91

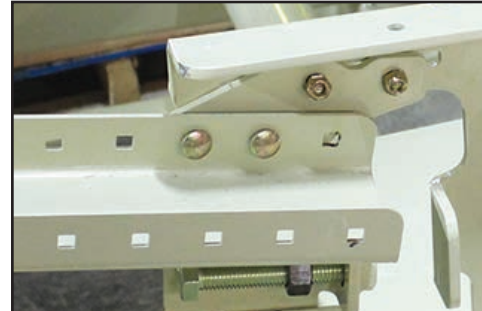


Install the upper and lower belt trays (Item 1) to the slider weldment [Figure 91].

Attach each tray using two 5/16" x 1" carriage bolts (Item 2), two 5/16" flat washers, and two 5/16" lock nuts [Figure 91].



**IMPORTANT**



For engine assemblies with an electric clutch, install the belt trays to the slider weldment using the holes appropriate for the engine.



**IMPORTANT**



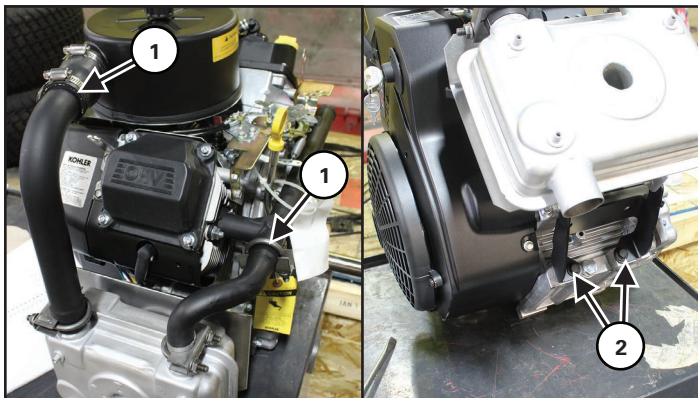
The engine driveline should be centered in the opening of the belt guard once assembled.

**!** **IMPORTANT**

The following procedure may not depict your specific engine.

Contact your dealer for proper engine installation.

Figure 92



Prepare the engine for installation.

It may be necessary to remove the exhaust components from the engine to more easily access the mounting points.

Remove the two clamps (Item 1), and mounting bolts (Item 2). Slide out the hoses and set exhaust components aside [Figure 92].

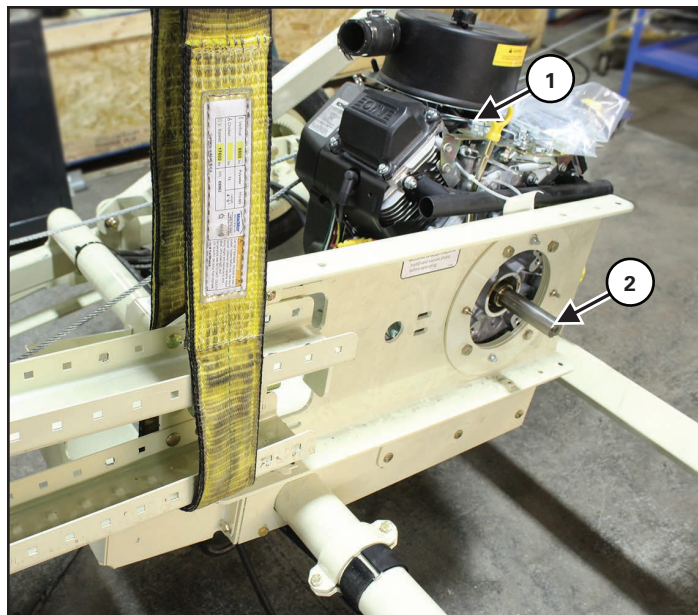
**!** **WARNING**



**DO NOT** work under suspended parts.

Always use lifting devices, chains or straps of adequate size and strength when unloading and assembling components.

Figure 93



Secure the engine using an approved lifting device.

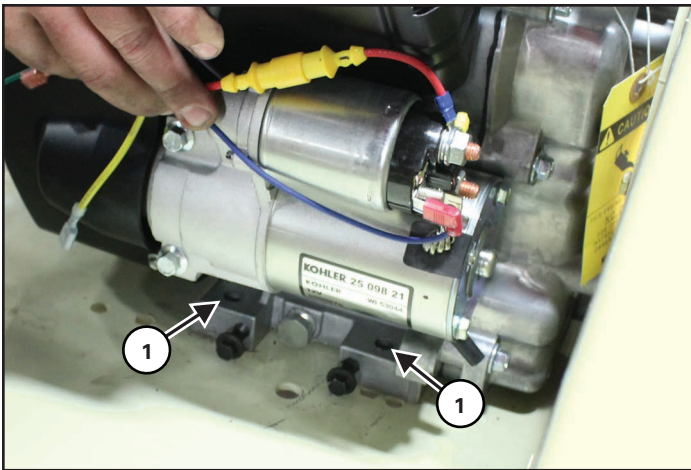
Position the engine (Item 1) on the mount with the driveline (Item 2) centered in the opening of belt guard [Figure 93].

**!** **WARNING**

**Be careful when supporting the engine assembly.**

**DO NOT** over extend components.

Figure 94

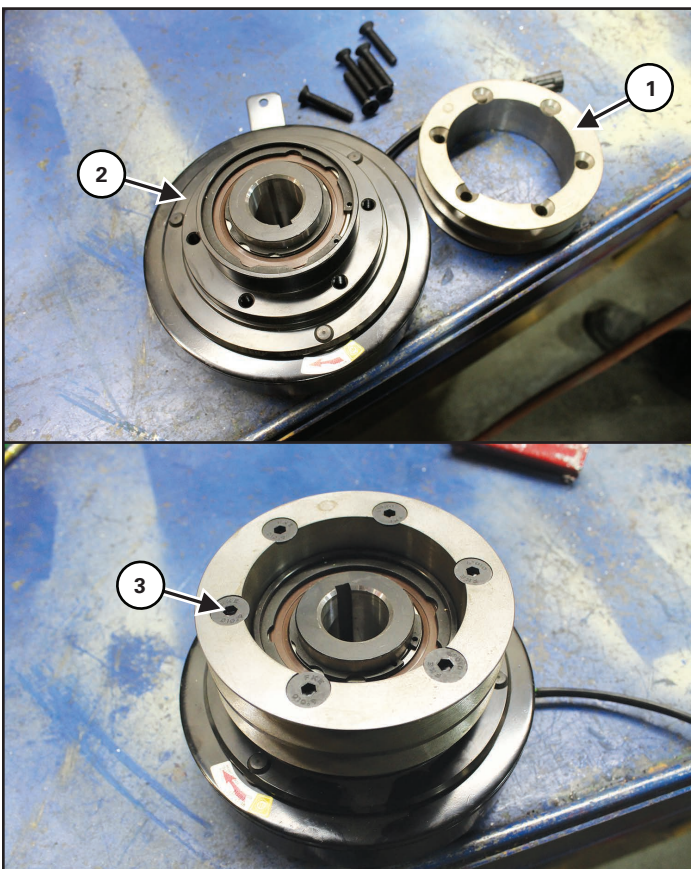


Align the engine holes (Item 1) with the appropriate holes of the engine mount [Figure 94].

Attach with hardware supplied to secure engine.

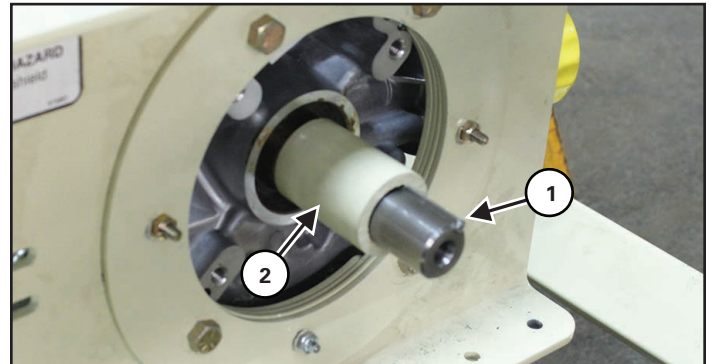
Do not fully tighten at this time to allow for adjustments.

Figure 95



Install one 5" sheave (Item 1) to the electric clutch assembly (Item 2). Attach using six M8 x 45 mm flat head machine screws (Item 3) [Figure 95].

Figure 96

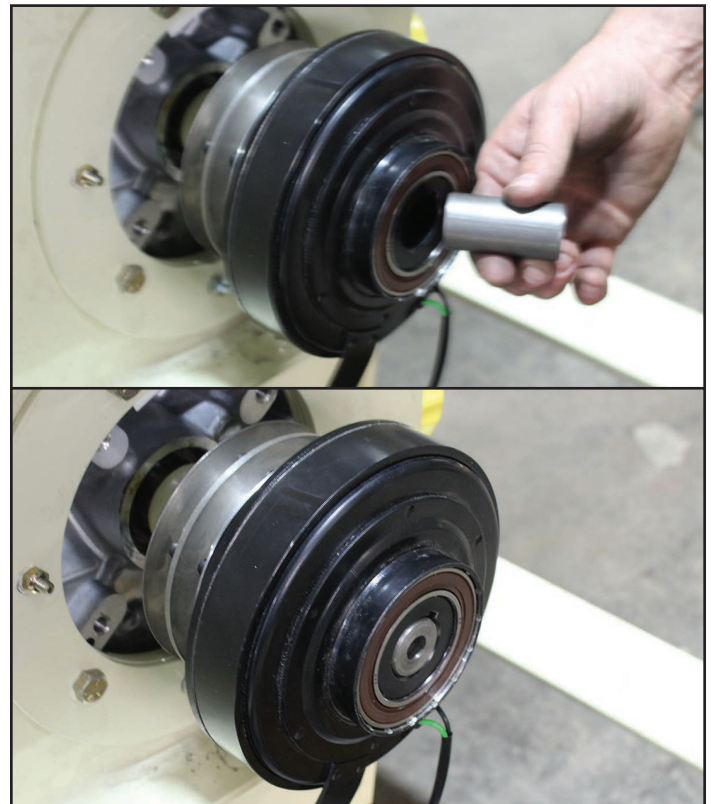


Install one 1/4" x 1-1/2" square key (Item 1) to the driveline [Figure 96].

Slide one spacer (Item 2) onto the driveline [Figure 96]:

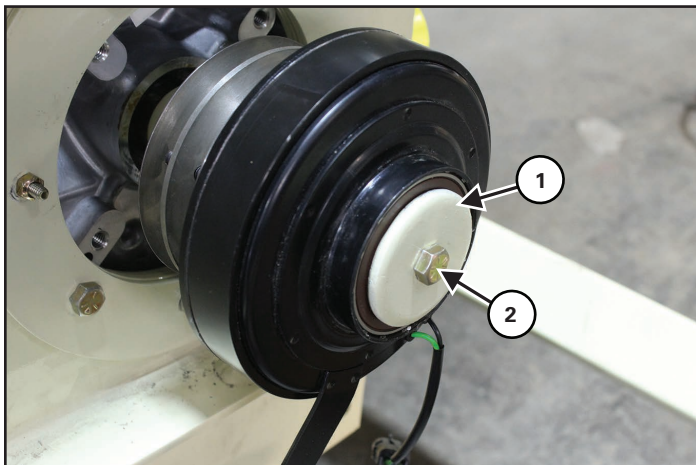
- 8" Auger Models: Spacer length 2-3/8"
- 10" Auger Models: Spacer length 3"

Figure 97



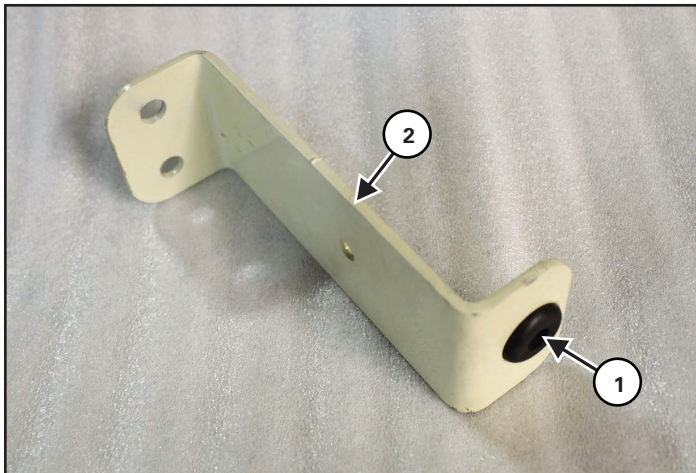
Slide the electric clutch assembly (Item 1) onto the driveline. Insert one 2-1/4" stub shaft (Item 2) into the electric clutch assembly [Figure 97].

**Figure 98**



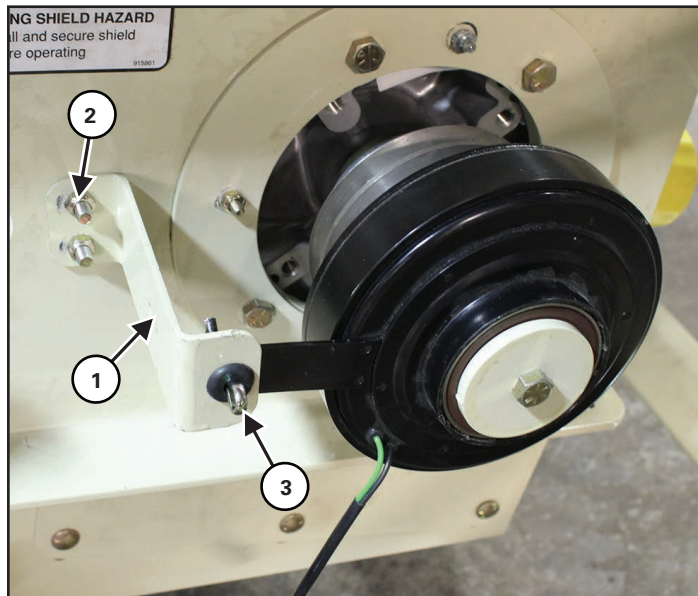
Install one end plate (Item 1) and one 7/16" X 3-1/2" hex bolt (Item 2) to the electric clutch assembly [Figure 98].

**Figure 99**



Install one 5/16" ID plastic grommet (Item 1) to the clutch link (Item 2) [Figure 99].

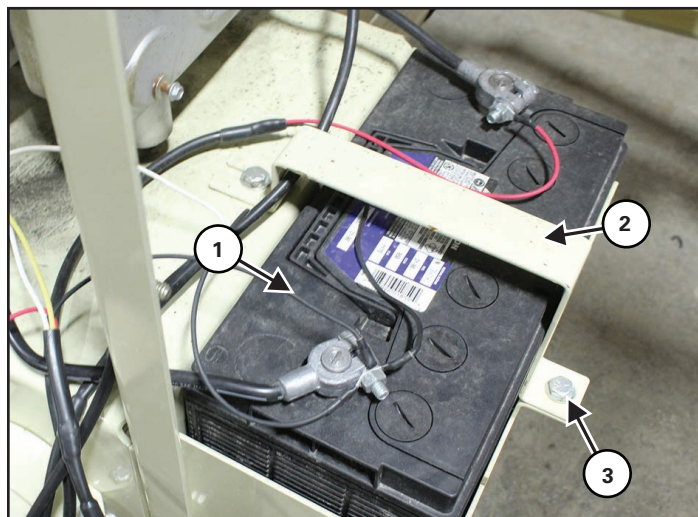
**Figure 100**



Install the clutch link (Item 1) to the belt cover using two 5/16" x 1" carriage bolts and two 5/16" lock nuts (Item 2) [Figure 100].

Connect the clutch link to the electric clutch using one 1/4" x 1-1/2" cotter pin (Item 3) and two 1/4" flat washers [Figure 100].

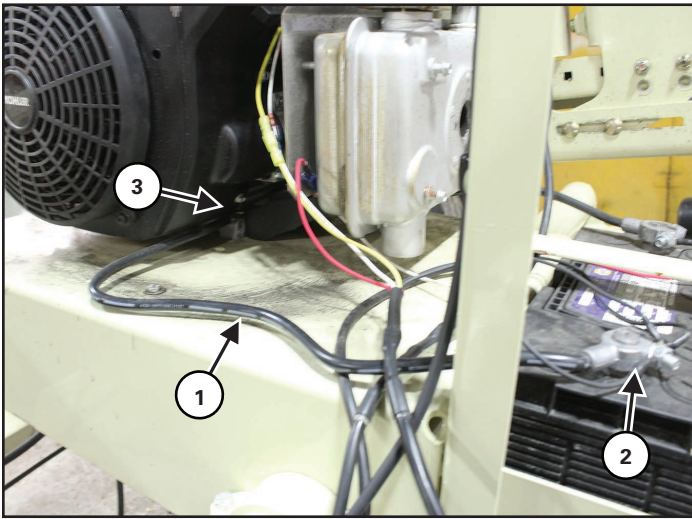
**Figure 101**



Place the battery (Item 1) inside the battery holder [Figure 101].

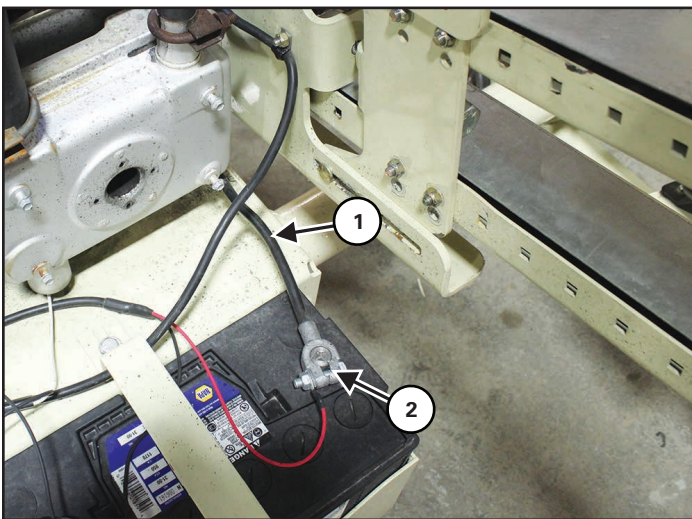
Position the brace (Item 2) over the battery holder. Attach using two 3/8" x 1" hex bolts (Item 2), two 3/8" flat washers, and two 3/8" lock nuts [Figure 101].

**Figure 102**



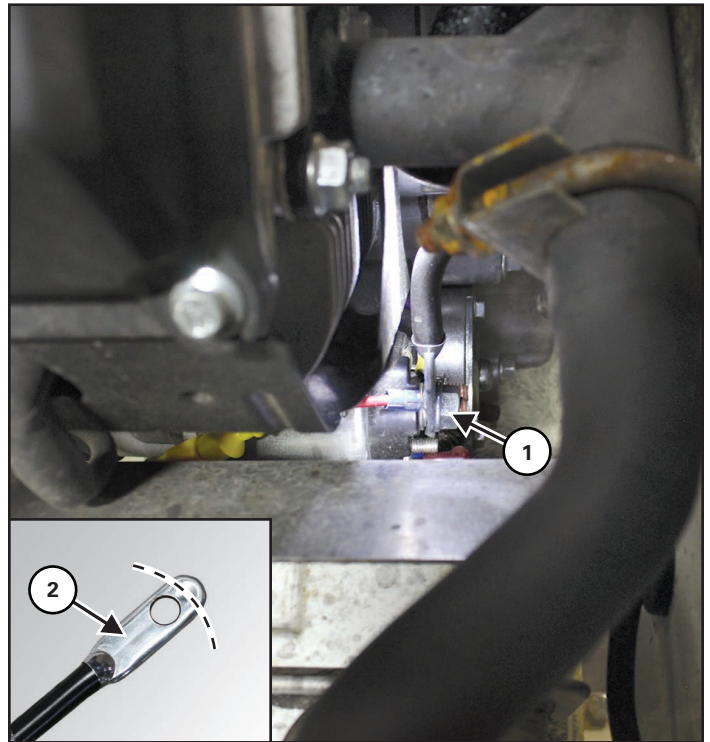
Route the cable (Item 1) from the ground terminal (Item 2) on the battery. Connect the cable to engine mount (Item 3) [Figure 102].

**Figure 103**



Route the cable (Item 1) from the power terminal (Item 2) on the battery [Figure 103].

**Figure 104**

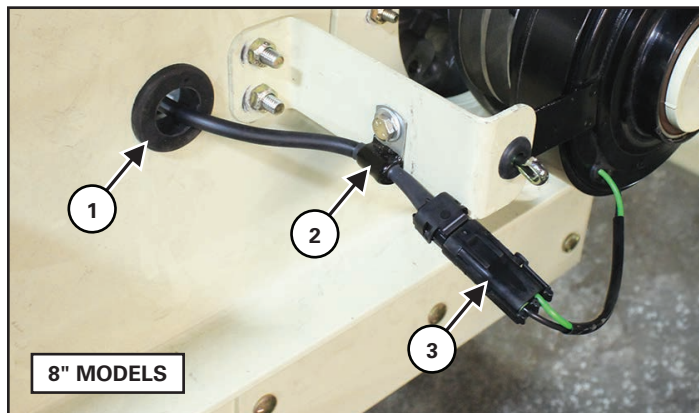


Connect the cable from the power terminal to the engine power connection (Item 1) on the side of the engine [Figure 104].

It may be necessary to trim the tip of the connector (Item 2) to properly attach the cable [Figure 104].

8" Model cable routing is shown in [Figure 105] and [Figure 106].

**Figure 105**



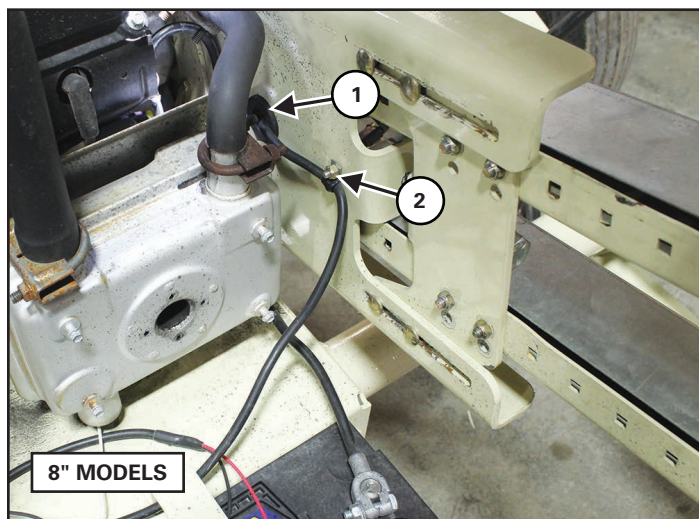
Install one 1" ID plastic grommet (Item 1) to the hole in the belt guard [Figure 105].

Route the male connector of the wire harness through the hole.

Attach the harness to the link using one p-clip (Item 2), 1/4" x 3/4" hex bolt, and 1/4" lock nut [Figure 105].

Attach the male connector of the wire harness to the electric clutch connector (Item 3) [Figure 105].

**Figure 106**

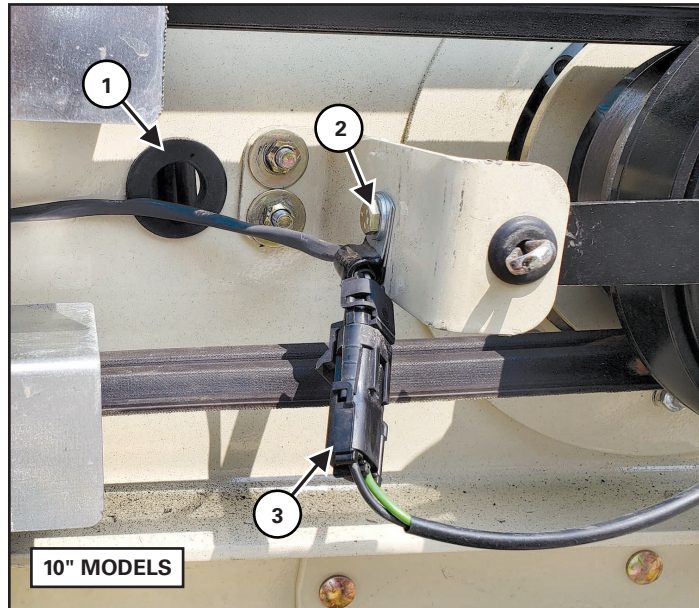


Route the wire harness from the hole (Item 1) in the belt guard [Figure 106].

Attach the wire harness to the side of the belt guard using one p-clip (Item 2), 1/4" x 3/4" hex bolt, and 1/4" lock nut [Figure 106].

10" Model cable routing is shown in [Figure 107] and [Figure 108].

**Figure 107**

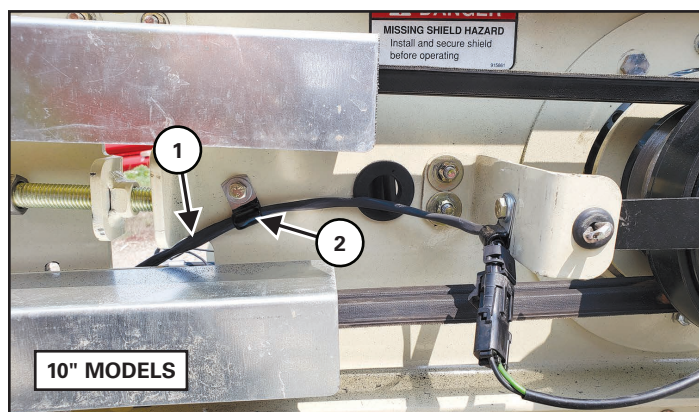


The 1" ID plastic grommet (Item 1) may be installed to the hole, but is not needed [Figure 107].

Attach the harness to the link using one p-clip (Item 2), 1/4" x 3/4" hex bolt, and 1/4" lock nut [Figure 107].

Attach the male connector of the wire harness to the electric clutch connector (Item 3) [Figure 107].

**Figure 108**

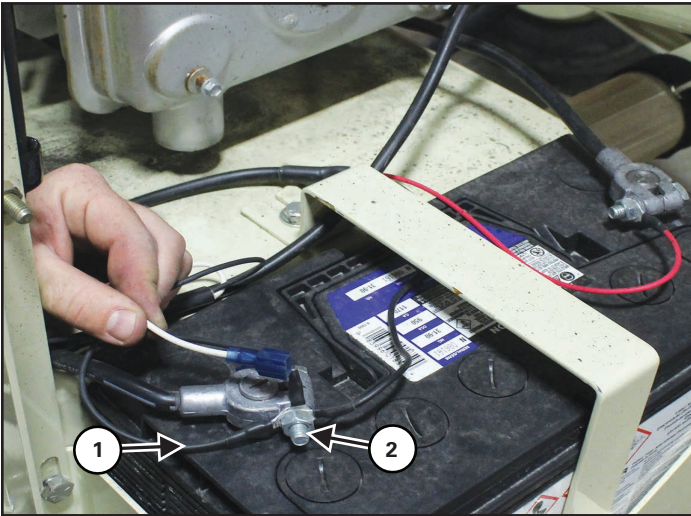


Route the wire harness (Item 1) around the belt guard [Figure 108].

Attach the wire harness to the side of the belt guard using one p-clip (Item 2), 1/4" x 3/4" hex bolt, and 1/4" lock nut [Figure 108].

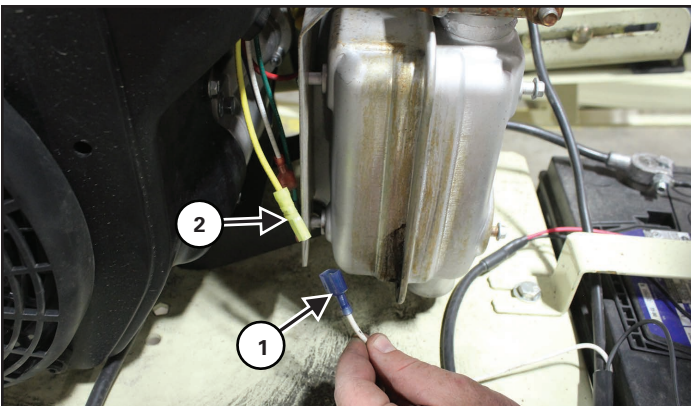


Figure 109



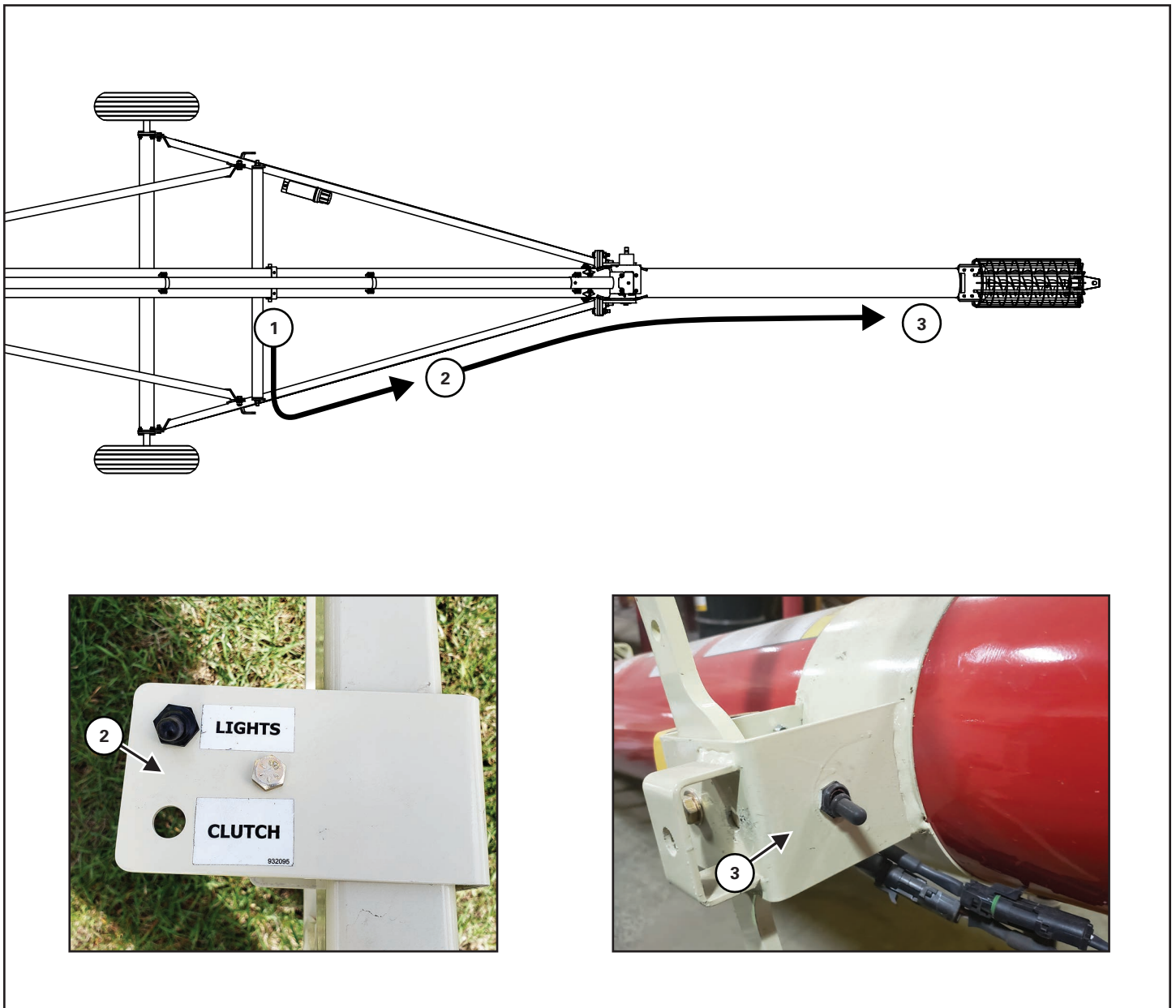
Connect the 3/8" ring connection (Item 1) of the wire harness to the ground terminal (Item 2) on the battery [Figure 109].

Figure 110



Connect the insulated male power connector (Item 1) of the wire harness to the female auxiliary power connector (Item 2) of the engine [Figure 110].

**Figure 111**



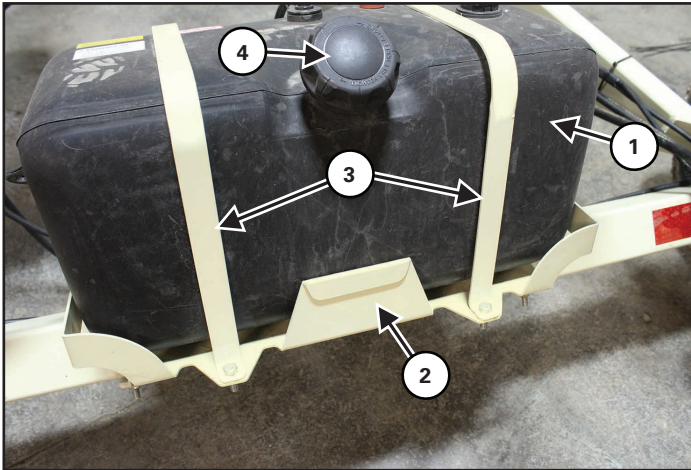
Route the wire harness from the engine (Item 1) to the right undercarriage weldment **[Figure 111]**.

Attach one of the harness switches to a bracket (Item 2) on the right undercarriage weldment **[Figure 111]**.

Continue routing the wire harness to the intake tube. Attach the other harness switch to the intake bracket (Item 3) **[Figure 111]**.

Make sure not to obscure any decals on the intake tube.

**Figure 112**



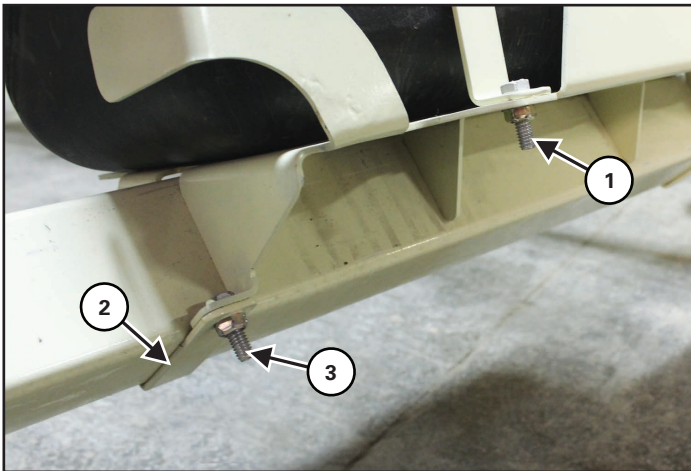
Position the plastic tank (Item 1), mount (Item 2), and braces (Item 3) on the axle **[Figure 112]**.

Face the fill cap (Item 4) away from the engine assembly **[Figure 112]**.

The edge of the mount should be positioned a certain distance from the right wheel:

- 41' Models: 12"
- 51', 61' Models: 19"

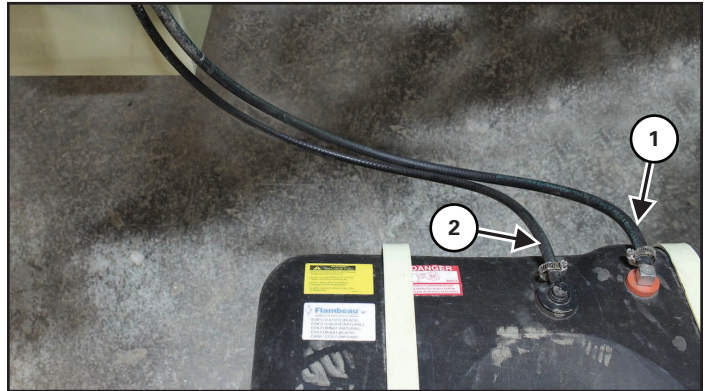
**Figure 113**



Attach the braces using four 5/16" x 1" hex bolts (Item 1) and four 5/16" lock nut **[Figure 113]**.

Attach the mount brackets (Item 2) using four 5/16" x 1" hex bolts (Item 3) and four 5/16" lock nut **[Figure 113]**.

**Figure 114**



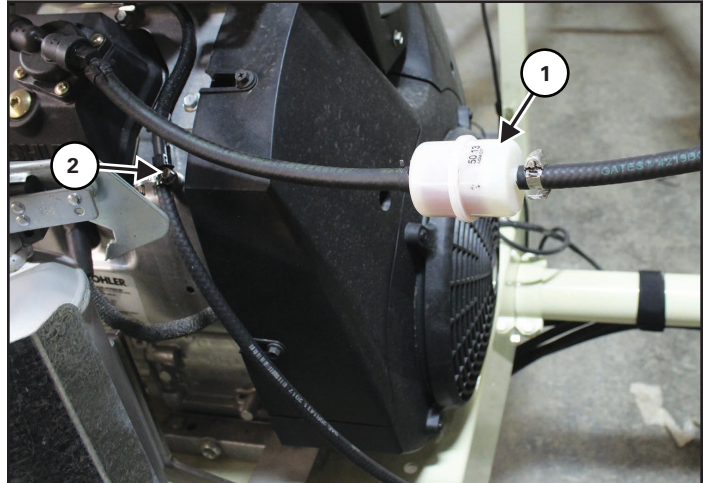
Connect the fuel hose (Item 1) to the red connector on the tank with a clamp **[Figure 114]**.

Connect the vent hose (Item 2) to the black connector on the tank with a clamp **[Figure 114]**.

Route the hoses to the engine.

Trim hoses as desired. Make sure there is enough slack in hoses to allow engine pivot.

**Figure 115**



Connect the fuel hose to the fuel filter (Item 1) with a clamp **[Figure 115]**.

Connect the vent hose to the vent on the engine (Item 2) with a clamp **[Figure 115]**.

# IMPORTANT

See "Belt Drive Adjustments" on page 73.

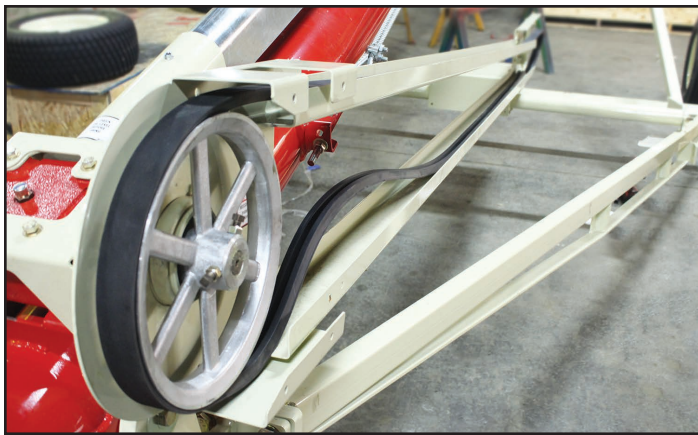
**ELECTRIC MOTOR ASSEMBLY**

**! IMPORTANT**

Assemble the belts, guards, and pulleys as seen in "Gas Engine Or Electric Motor, Electric Clutch Assembly" on page 59.

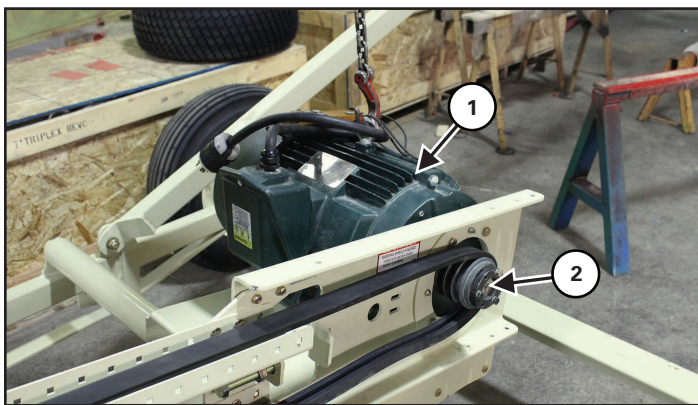
The setup is identical until you are ready to route the belt and install the electric motor.

**Figure 116**



Route the belt around the upper pulley and centered in the belt trays [Figure 116].

**Figure 117**



Secure the motor using an approved lifting device.

Position the motor (Item 1) on the mount with the driveline (Item 2) centered in the opening of belt guard [Figure 117].

Route the belt around the driveline pulley.

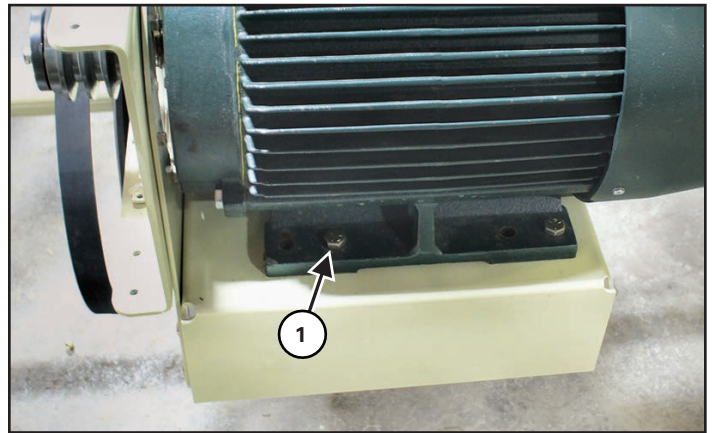
**! WARNING**



**DO NOT** work under suspended parts.

Always use lifting devices, chains or straps of adequate size and strength when unloading and assembling components.

**Figure 118**



Align the engine holes (Item 1) with the appropriate holes of the engine mount [Figure 118].

Attach with hardware supplied to secure engine.

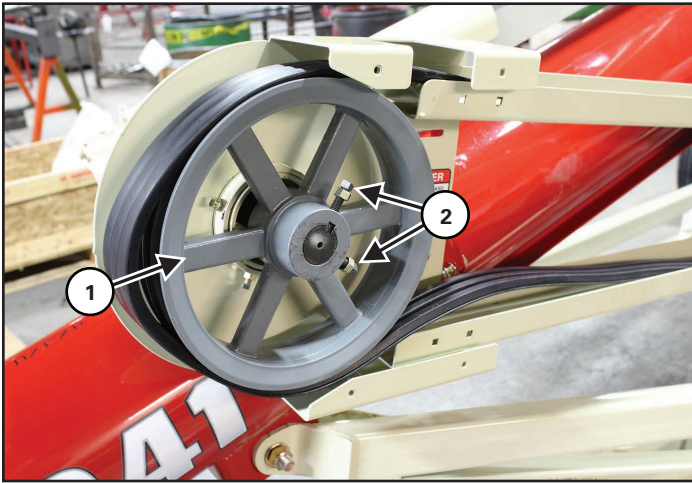
Do not fully tighten at this time to allow for adjustments.

**! IMPORTANT**

See "Belt Drive Adjustments" on page 73.

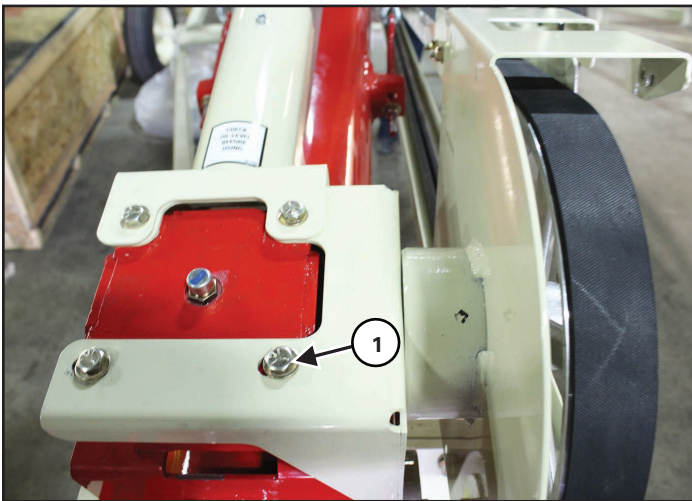
## BELT DRIVE ADJUSTMENTS

Figure 119



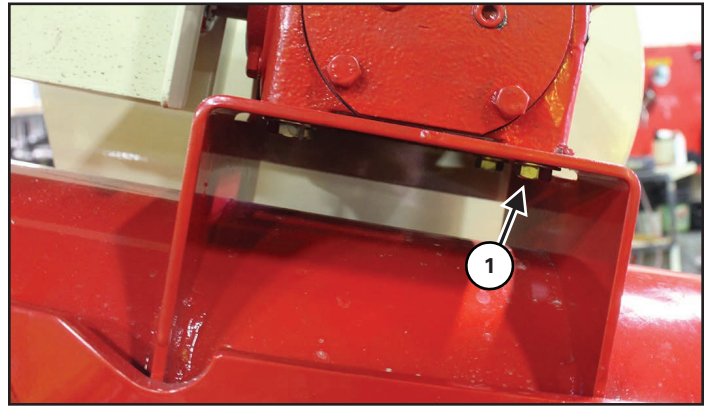
Adjust the sheave (Item 1) on the gearbox drive shaft as required. Tighten the set screws and lock nuts (Item 2) [Figure 119].

Figure 120



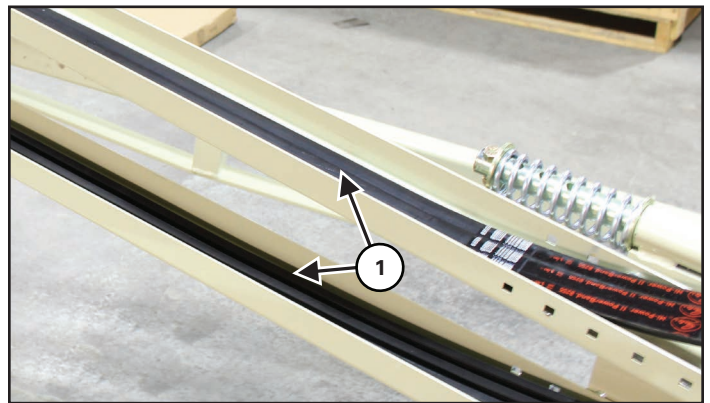
Adjust gearbox cover left or right, using the slotted holes (Item 1). Tighten bolts [Figure 120].

Figure 121



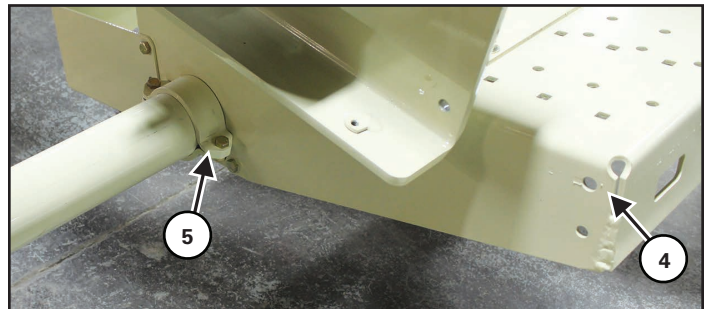
Adjust the gearbox left or right, using the slotted holes (Item 1) on the mount. Tighten bolts [Figure 121].

Figure 122

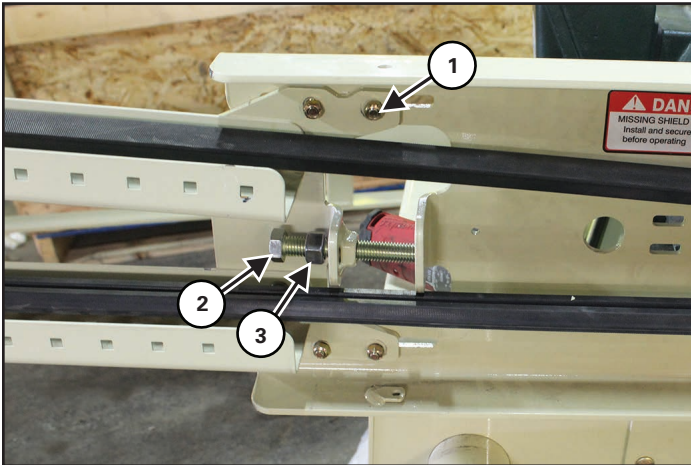


Center the belt in the upper and lower trays (Item 1). Check that the belt sits flat and does not contact the sides of the tray [Figure 122].

Figure 123



Adjust the engine mount (Item 1) on the cross brace. Tighten clamps and hardware (Item 2) [Figure 123].

**Figure 124**

Adjust the slider bolts (Item 1) to allow for proper tightening of the adjustment bolt (Item 2).

Tighten the adjustment bolt (Item 2) until the belt is tight with minimal flex.

Tighten the nut (Item 3) on the adjustment bolt against the slider.



## IMPORTANT

**Once all adjustments have been made:**

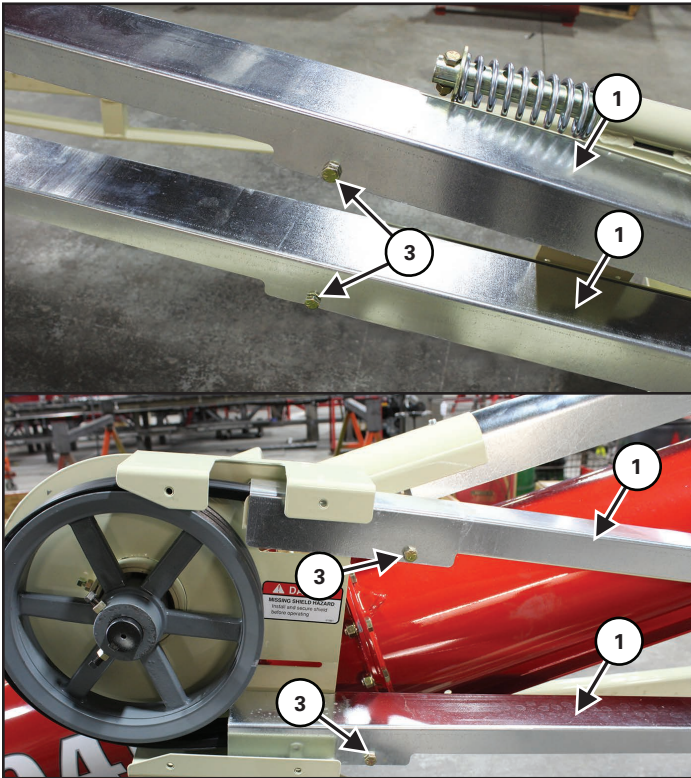
- **Tighten all fasteners of the belt assembly.**
- **Tighten all fasteners of the motor / engine mount**

**Tighten connections to proper torque.**

---

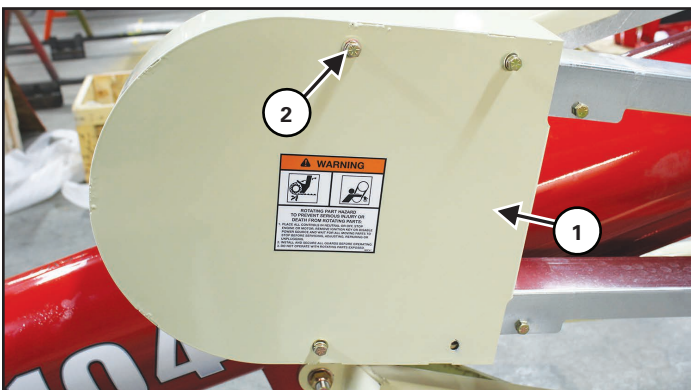
**BELT COVER ASSEMBLY**

**Figure 125**



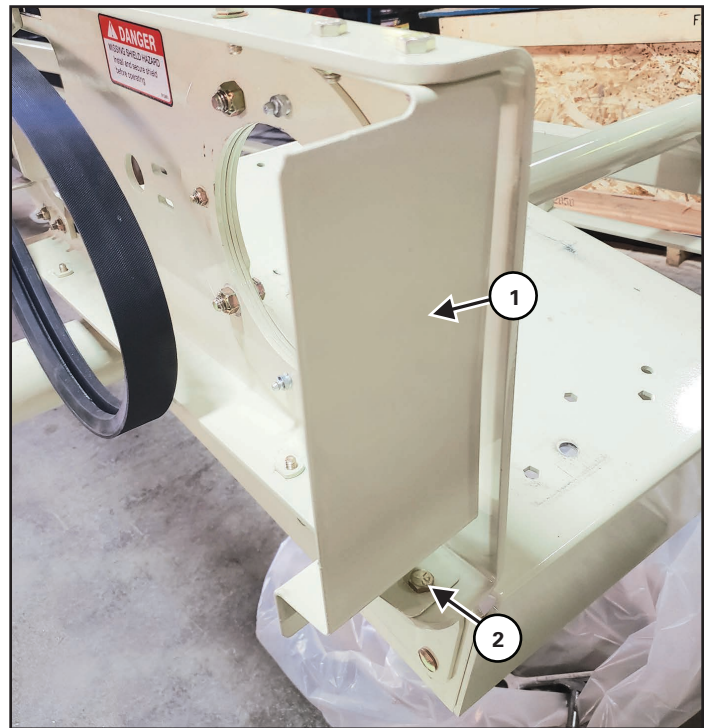
Position the belt covers (Item 1) over the upper and lower belt trays. Attach each cover with two 3/8" x 4" hex bolts and two 3/8" lock nuts (Item 3) [Figure 125].

**Figure 126**



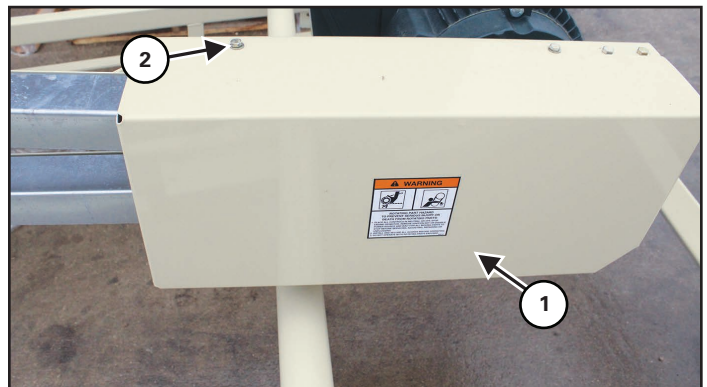
Install the belt guard cover (Item 1). Attach using four 5/16" x 3/4" hex bolts and four 5/16" flat washers (Item 2) [Figure 126].

**Figure 127**



Attach the back plate to the belt cover using three 5/16" x 3/4" hex bolts (Item 2) and three 5/16" lock nuts [Figure 127].

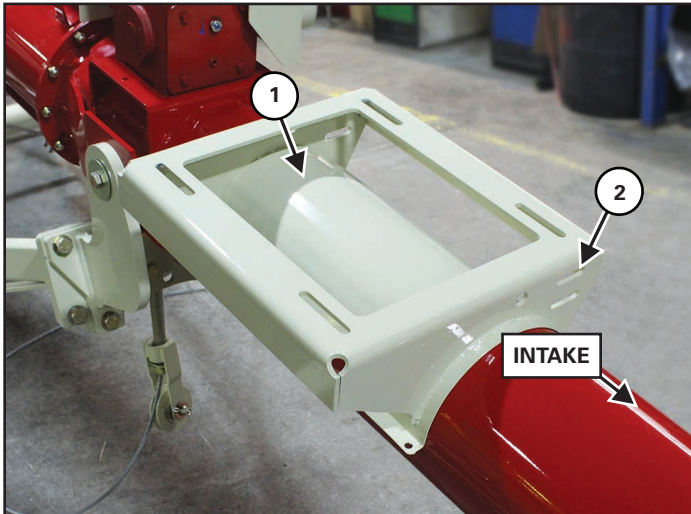
**Figure 128**



Attach the front cover (Item 1) using four 5/16" x 3/4" hex bolts and four 5/16" flat washers [Figure 128].

## TUBE MOUNT ELECTRIC MOTOR ASSEMBLY

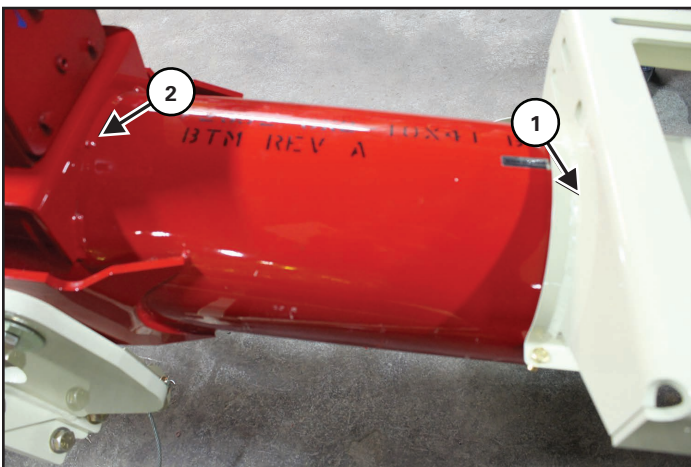
**Figure 129**



Position the motor mount (Item 1) on the tube before the gearbox [Figure 129].

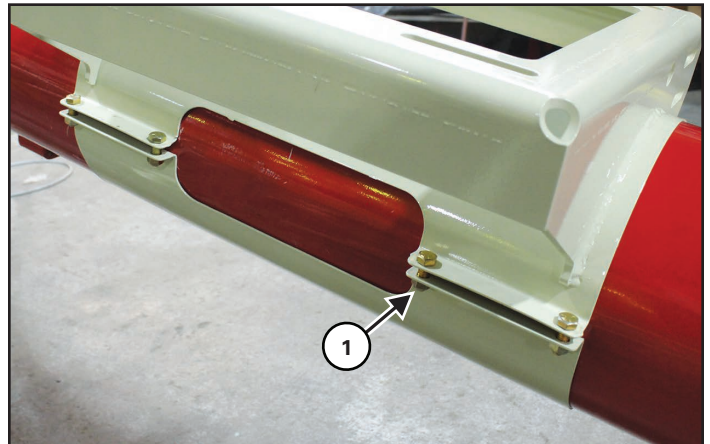
The slotted holes (Item 2) of the motor mount must face left [Figure 129].

**Figure 130**



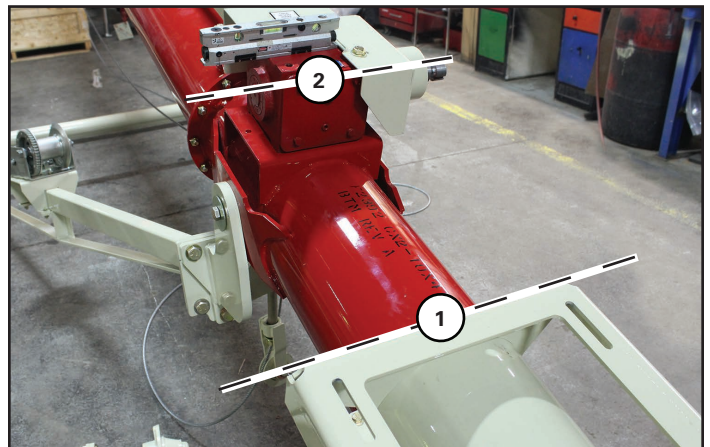
Position the motor mount (Item 1) approximately 20" from the gearbox mount (Item 2) [Figure 130].

**Figure 131**



Attach the mount using eight 3/8" X 1" hex bolts and eight 3/8" lock nuts (Item 1) [Figure 131].

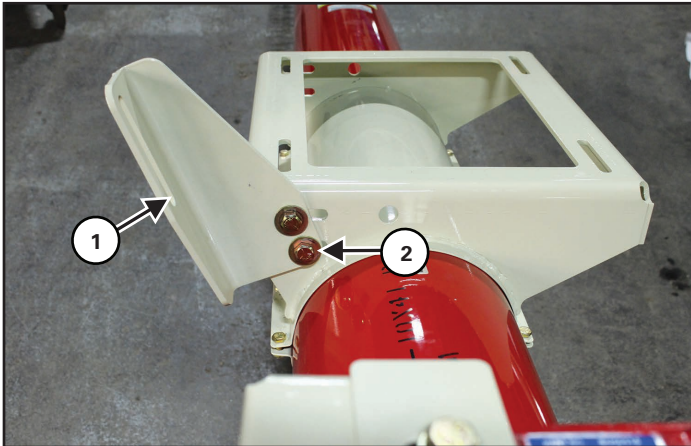
**Figure 132**



Adjust the motor mount (Item 1) to be level with the gearbox (Item 2) [Figure 132].



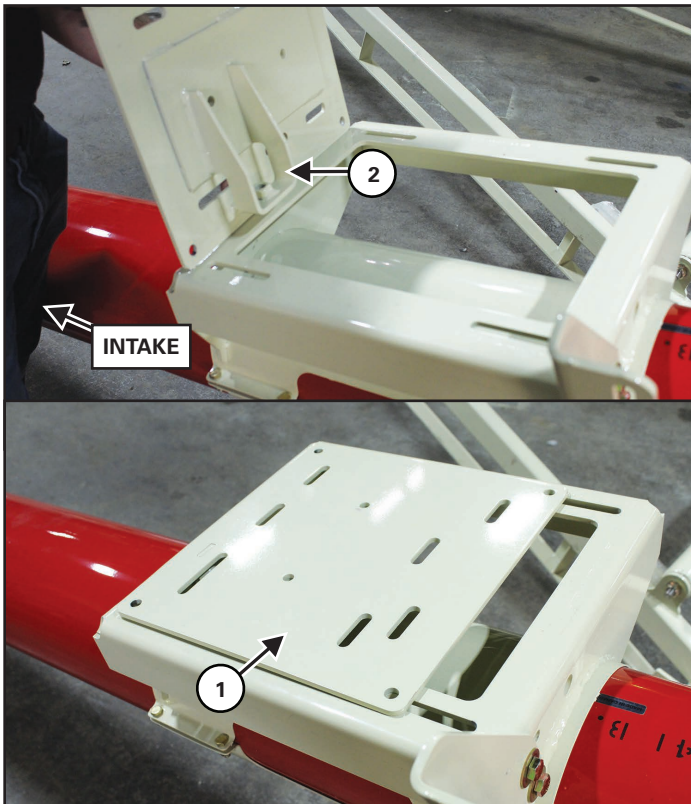
**Figure 133**



Position the guard mount (Item 1) on the slotted holes of the motor mount facing the gearbox [Figure 133].

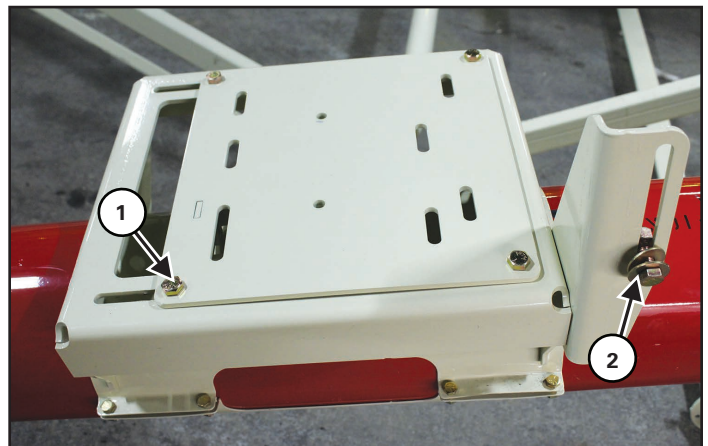
Attach using two 1/2" x 1-1/2" hex bolts (Item 2), two 1/2" flat washers, and two 1/2" lock nuts [Figure 133].

**Figure 134**



Position the sliding plate (Item 1) on the motor mount. The adjustment bracket (Item 2) must face the intake [Figure 134].

**Figure 135**

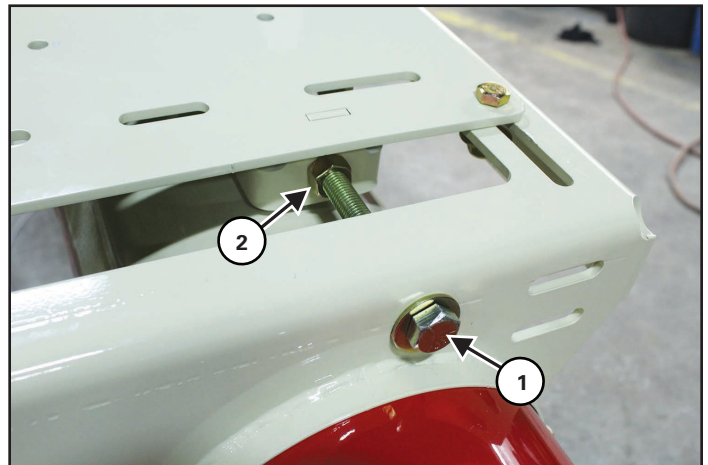


Attach the sliding plate to the slotted holes of the mount using four 1/2" x 1-1/2" hex bolts (Item 1), four 1/2" flat washers, and four 1/2" lock nuts [Figure 135].

Attach one 1/2" x 1-1/2" hex bolt (Item 2), two 1/2" flat washers, and one 1/2" lock nut to the guard mount [Figure 135].

Do not tighten at this time.

**Figure 136**



Thread one 5/8" flat washer onto one 5/8" x 6" hex bolt (Item 1) [Figure 136].

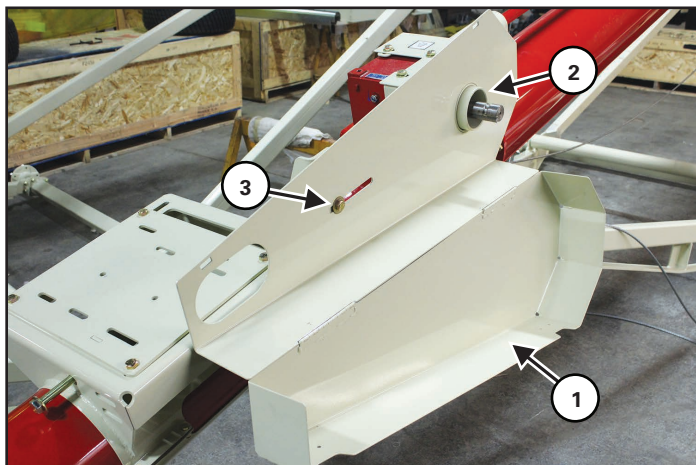
Install the bolt/washer through the motor mount.

Thread one 5/8" hex nut (Item 2) onto the bolt [Figure 136].

Install the bolt into the bracket on the sliding plate.

Do not tighten at this time.

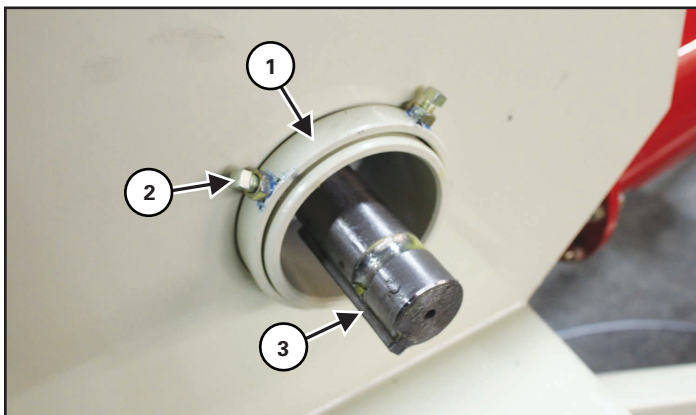
**Figure 137**



Place the belt guard (Item 1) over the gear box mount (Item 2) **[Figure 137]**.

Install the belt guard to the mount (Item 3). Attach using one 1/2" x 1-1/2" hex bolt, two 1/2" flat washers (both sides), and one 1/2" lock nut **[Figure 137]**.

**Figure 138**

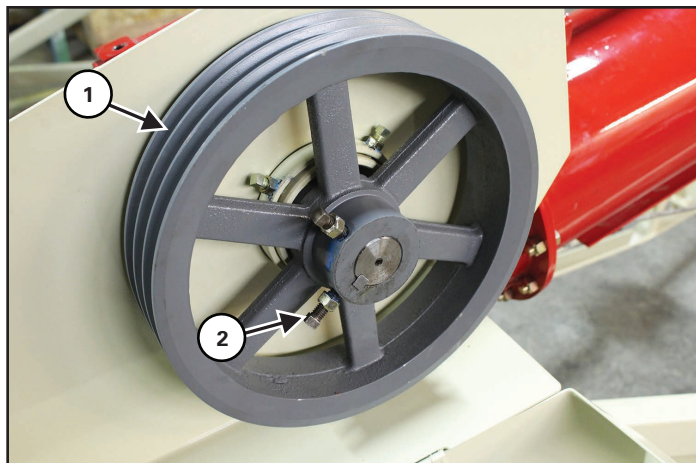


Place one ring (Item 1) over the gear box mount. Attach using two 5/16" X 3/4" square head set screws (Item 2) and two 5/16" hex nuts **[Figure 138]**.

Install one key (Item 3) to the gearbox driveline:

- 8" Models: 1/4" x 2" square key
- 10" Models: 3/8" x 3-3/8" square key **[Figure 138]**.

**Figure 139**



Install one pulley (Item 1) to the gearbox driveline **[Figure 139]**

See "Belt Sizes" on page 202.

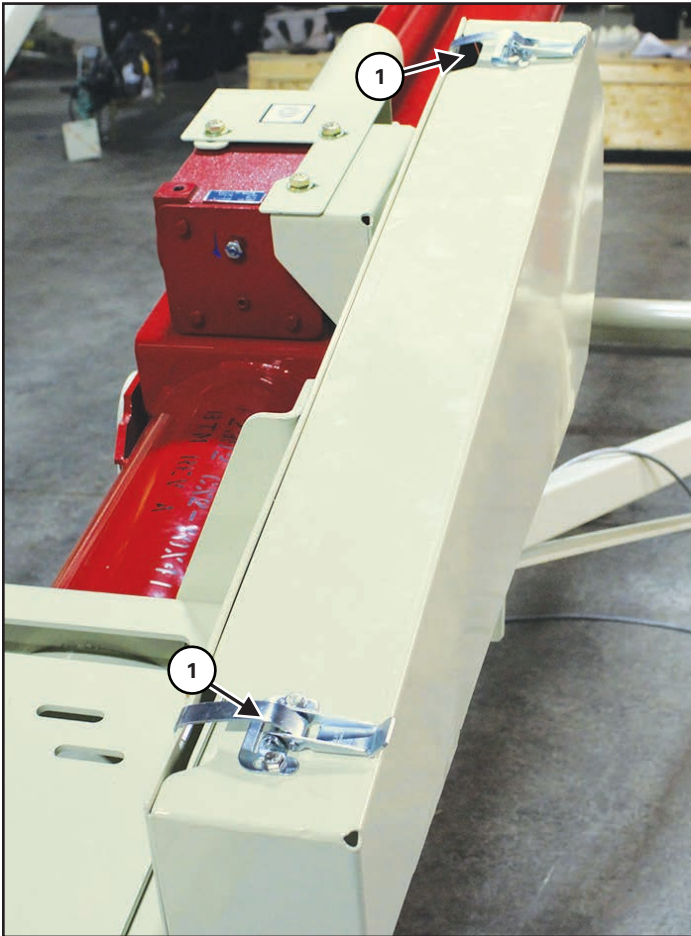
Attach using two 3/8" x 1-1/4" square head set screws (Item 2) and two 3/8" lock nuts **[Figure 139]**.

**Figure 140**



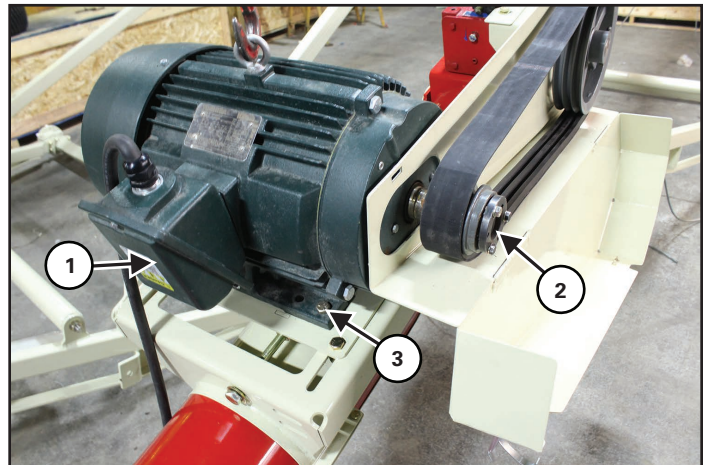
Route the belt (Item 1) around the pulley **[Figure 140]**.

Figure 141



Attach two latches (Item 1) to the belt guard using four 1/4" x 3/4" hex bolts, four 1/4" flat washers, and four 1/4" lock nuts [Figure 141].

Figure 142



Secure the motor using an approved lifting device. Position the motor (Item 1) on the mount with the driveline (Item 2) centered in the opening of belt guard [Figure 142].

Route the belt around the driveline pulley.

See "Belt Sizes" on page 202.

 **WARNING**



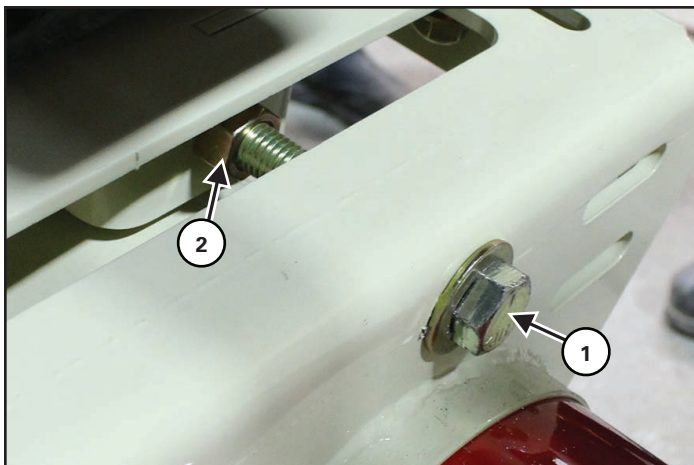
**DO NOT** work under suspended parts.

**Always use lifting devices, chains or straps of adequate size and strength when unloading and assembling components.**

Align the engine holes (Item 3) with the appropriate holes of the engine mount [Figure 142].

Attach with hardware supplied to secure engine.

Do not fully tighten at this time to allow for adjustments.

**Figure 143**

Tighten the adjustment bolt (Item 1) until the belt is tight with minimal flex [Figure 143].

Tighten the nut (Item 2) against the bracket [Figure 143].



## IMPORTANT

Once all adjustments have been made:

- Tighten all fasteners of the belt assembly.
- Tighten all fasteners of the motor / engine mount

Tighten connections to proper torque.

---

# OPERATION

GENERAL INFORMATION.....	83
Pre - Operation Checklist.....	83
Break - In Checklist.....	84
Tractor And Gas Engine Requirements.....	85
ENTERING & LEAVING THE OPERATOR’S POSITION.....	86
Entering The Operator’s Position.....	86
Leaving The Operator’s Position.....	86
HITCHING / UNHITCHING AUGER.....	86
Hitching The Equipment.....	86
Unhitching The Equipment.....	87
RAISING / LOWERING AUGER.....	88
Mechanical Winch.....	88
Hydraulic Winch.....	88
PTO BELT DRIVE / DIRECT DRIVE.....	89
Connecting PTO Shaft.....	89
Disconnecting PTO Shaft.....	89
GAS ENGINE BELT DRIVE.....	90
SHIFTABLE GEARBOX.....	90
ELECTRIC CLUTCH.....	91
FIELD OPERATION.....	92
Working Position.....	92
Auger Operation.....	93
TRANSPORTING.....	94

# Farm King



**GENERAL INFORMATION**

**Pre - Operation Checklist**

Before operating the auger for the first time and each time thereafter, check the following items:



**AVOID INJURY OR DEATH**

- Disengage the PTO, engage the machine’s parking brake, stop the engine and make sure all rotating components are completely stopped before connecting, disconnecting, adjusting or cleaning any PTO driven equipment.
- Always keep PTO shields and all guards in place when using PTO driven equipment.
- Disengage PTO for road travel.
- Keep hands, feet and clothing away.



**AVOID INJURY OR DEATH**

**Wear safety glasses to prevent eye injury when any of the following conditions exist:**

- When fluids are under pressure.
  - Flying debris or loose material is present.
  - Engine is running.
  - Tools are being used.
- 
1. Lubricate the equipment per the schedule outline in the Maintenance Section.
  2. Check the augers. Remove any material build-up or debris that has become entangled.

3. Make sure that all guards and shields are in place, secured and functioning as designed.



**HIGH PRESSURE FLUID HAZARD**

Leaking fluids under pressure can enter the skin and cause serious injury or death. Immediate medical attention is required. Wear goggles. Use cardboard to check for leaks.

4. Check condition of all hydraulic components for leaks. Repair as required.

**Note:** Do not operate with hydraulic leaks.

5. Check and tighten all wheel bolts to proper torque.
6. Check tire pressure. Inflate per manufacturer’s specification.
7. Check gearbox oil level. Fill as required. (See Maintenance section).
8. Check that the PTO driveline telescope easily and turn freely.
9. Make sure the PTO ends are securely attached to the auger and the tractor.
10. Check the drive belt tension and alignment. Tension or align as required. (See Maintenance section).

**Break - In Checklist**

**Note:** The break-in period is different from normal operating conditions.

The tube and flighting must get a polished surface through use. Once the new auger has polished it will run smooth at recommended speed.

**Note:** Never operate an empty auger for over one minute, as the flighting and housing will experience excessive wear.

During the break-in-period:

1. Run the tractor at slow idle until grain begins to flow from the discharge. For the first 500 bushels, operate at the slow speed and restrict the flow of grain at the intake.
2. Gradually increase the speed until operating at full PTO speed.

**Note:** Do not run empty during break-in period.

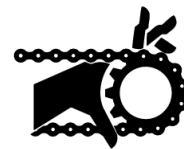


**AVOID INJURY OR DEATH**

- Disengage the PTO, engage the machine’s parking brake, stop the engine and make sure all rotating components are completely stopped before connecting, disconnecting, adjusting or cleaning any PTO driven equipment.
- Always keep PTO shields and all guards in place when using PTO driven equipment.
- Disengage PTO for road travel.
- Keep hands, feet and clothing away.

Check the following mechanical items after 1 hour of operation and again after 10 hours of operation:

1. Re-torque wheel bolts to proper torque and check tire pressure.
2. Check for loose fasteners and hardware. Tighten as required.
3. Check the belt tension and alignment. Tension or align as required (See Maintenance section).
4. Check the condition of all hydraulic lines, hoses, fittings and couplers for damage or leaks.
5. Tighten leaking fittings and repair or replace any damaged components.
6. Check the condition of all electrical lines, wires, and connections. Repair or replace any damaged systems or components.
7. Check that all guards and shields are in place, secured and functioning as designed.



**ROTATING PART HAZARD**

To prevent serious injury or death from rotating parts:

- Place all controls in neutral or off, stop engine or motor, remove ignition key or disable power source and wait for all moving parts to stop before servicing, adjusting, repairing or unplugging.
- Install and secure all guards / shields before operating.
- Do not operate with rotating parts exposed.



Tractor And Gas Engine Requirements



**DO NOT EXCEED 540 RPM PTO**

Keep PTO shields and all guards in place.

Keep away from moving parts.

Keep bystanders away.

Figure 144

Auger Model	Hitch Weight	Total Weight
841	*	*
851	*	*
861	*	*
1041	*	*
1051	*	*
1061	*	*

\*Information unavailable

The chart [Figure 144] lists the hitch weight and total weight of the auger models. The tractor / tow vehicle must be rated for the listed weight to transport the specified auger model.

Figure 145

Auger Model	Minimum Horsepower Requirement		
	PTO Direct Drive	PTO Belt Drive	Gas Engine Belt Drive.
841	16	16	16
851	20	20	20
861	24	*	*
1041	28	28	28
1051	32	32	32
1061	38	38	38

\*Engine / PTO belt drive not available for 861 models.

The chart [Figure 145] lists the minimum tractor PTO hp (with 540 rpm PTO) and the minimum gas engine hp.

The tractor must be equipped with a 6 spline 3/8" (38 mm) PTO shaft.



**The hydraulic winch for raising and lowering the auger (optional) requires a hydraulic pressure of 5 gpm (19 lpm) at 2800 psi (19329 kPa) PSI.**

## ENTERING & LEAVING THE OPERATOR'S POSITION

### Entering The Operator's Position

Enter the operator's position, start the engine, and release the parking brake.



Follow the instructions in your tractor's operation manual for the correct procedure.

### Leaving The Operator's Position

Always perform the following steps when leaving the operator's position:



### AVOID INJURY OR DEATH

Before you leave the operator's position:

- Always park on a flat level surface.
- Place all controls in NEUTRAL.
- Engage the park brake.
- Stop the engine and remove the key.
- Wait for all moving parts to stop.

## HITCHING / UNHITCHING AUGER

Attach the auger to the tractor whenever the equipment is moved around the yard or into working position.

Tow the equipment by truck when traveling long distances (see Transport on **page 94**).

### Hitching The Equipment

Make sure that bystanders, especially small children, are clear of the working area.

Be sure that there is sufficient room and clearance to back up to the machine.

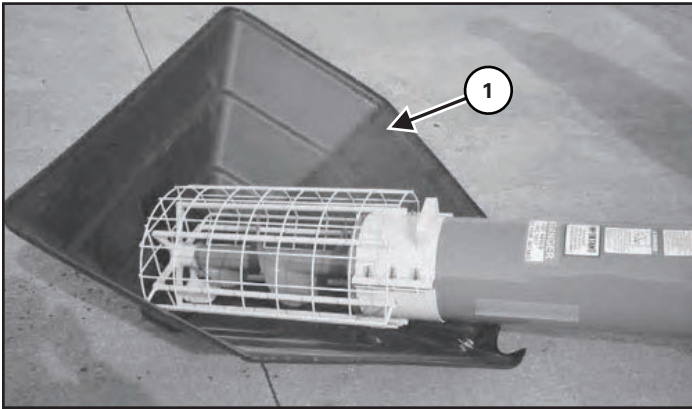
Align the drawbar with the hitch of the auger while backing up.



Before moving the tractor, look in all directions and make sure no bystanders, especially small children are in the work area. Do not allow anyone between the tractor and the equipment when backing up to the equipment for connecting.

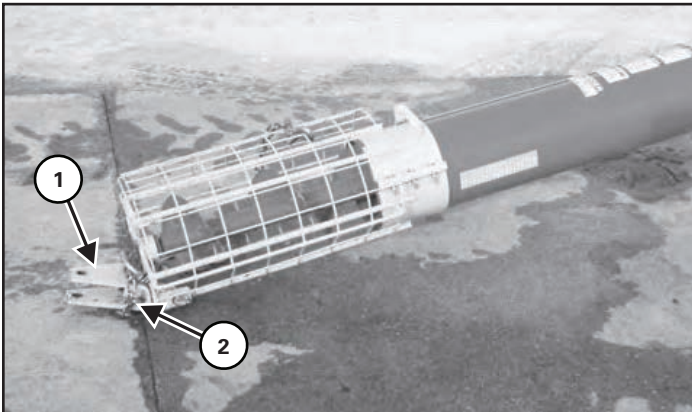
Leave the operator's position (see Leaving The Operator's Position on **page 86**).

Figure 146



Remove the plastic hopper (Item 1) [Figure 146] from the intake (if equipped).

Figure 147



Install and secure the hitch weldment (Item 1) [Figure 147]. Attach the hitch using one clevis pin and one 3/16" lynch pin.

Install the safety chain (Item 2) [Figure 147] to the hitch weldment.

 **WARNING**

**AVOID INJURY OR DEATH**

The machine is closely balanced. Do not lift unless there is downward weight on the intake end to prevent upending.

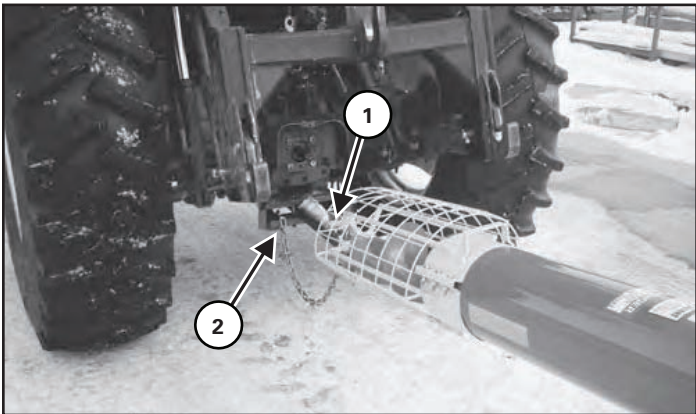
 **IMPORTANT**

Do not move the auger while in the raised position.

Lower the auger to the lowest position with the track roller resting against the track stop before moving.

See Raising And Lowering The Auger on page 88.

Figure 148



Lift the intake and hitch to the tractor drawbar height. Align the tractor hitch pin holes with the auger hitch pin holes.

Install the drawbar pin and retainer pin (Item 1) [Figure 148].

Install the safety chain to the tractor drawbar (Item 2) [Figure 148].

**Unhitching The Equipment**

Reverse the hitching procedure to unhitch the equipment.

 **WARNING**

Warnings on the machine and in the manuals are for your safety. Failure to obey warnings can cause serious injury or death.

## RAISING / LOWERING AUGER

Always raise or lower the auger on a flat and level area.

Clear the area of bystanders, especially small children, before starting.



### IMPORTANT

**Do not move the auger while in the raised position.**

Be sure there is enough clearance from overhead obstructions and power lines or other equipment.

Attach the auger to the tractor (see Hitching And Unhitching Auger on **page 86**).

Place chocks in the front and rear of each wheel.



### WARNING

**Always raise or lower the auger while hitched to a tractor or approved transport unit.**

**Never attempt to raise or lower the auger during operation.**

**Never place blocks under the wheels to increase the elevation of auger.**

**Keep wheels of undercarriage level and on firm ground.**



### DANGER

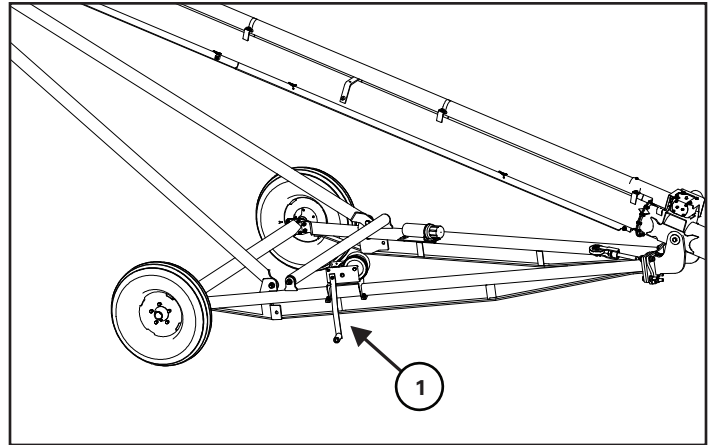
#### ELECTROCUTION HAZARD

To prevent serious injury or death from electrocution:

- Be aware of overhead power lines.
- Electrocution can occur without direct contact.

## Mechanical Winch

**Figure 149**



Turn the handle of the winch (Item 1) [Figure 149] to raise or lower the auger.

Turn the handle clockwise to raise the frame and counterclockwise to lower.

## Hydraulic Winch

Make sure all hydraulic connections are fully engaged.

Enter the tractor, start the engine and engage the tractor's hydraulics.

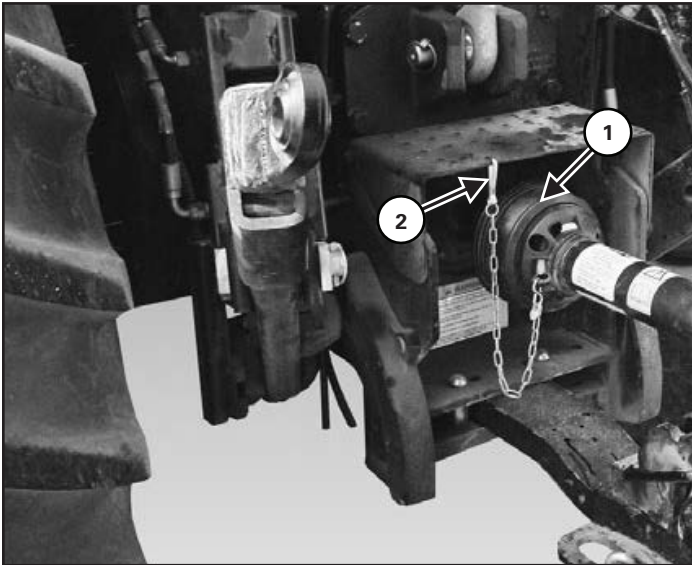
Run the tractor engine at low idle.

Act on the control lever for the hydraulic system to engage the winch hydraulic motor.

**PTO BELT DRIVE / DIRECT DRIVE**

**Connecting PTO Shaft**

Figure 150



Position tractor next to auger frame.

Retract collar (Item 1) [Figure 150] on PTO yoke to retract lock pin and slide yoke over tractor shaft.

Pull on yoke to make sure lock pin clicks into place.

Install PTO driveline safety chain (Item 2) [Figure 150].



**AVOID INJURY OR DEATH**

Do NOT exceed 540 RPM PTO.

Keep PTO shields and all guards in place.

Keep away from moving parts.

Keep bystanders away.

**Disconnecting PTO Shaft**

Disengage the PTO and lower engine RPM speed.



**AVOID INJURY OR DEATH**

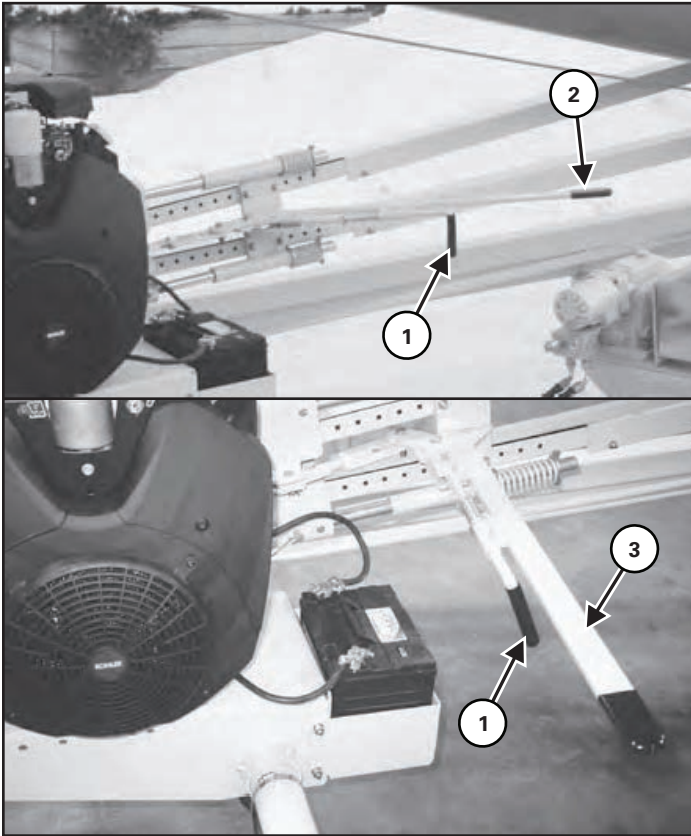
Wait for all moving parts to stop before disconnecting PTO.

Remove safety chain (Item 2) [Figure 150].

Retract collar (Item 1) [Figure 150] on PTO yoke and slide off of tractor shaft.

## GAS ENGINE BELT DRIVE

Figure 151



Release the lever lock (Item 1) [Figure 151].

Act on the lever to move the engine mounting platform to engage / disengage the drive system.

Move the lever (Item 2) [Figure 151] towards the engine to engage the drive system.

Move the lever (Item 3) [Figure 151] away from the engine to disengage the drive system.

Always lock the lever in either engaged or disengaged position.

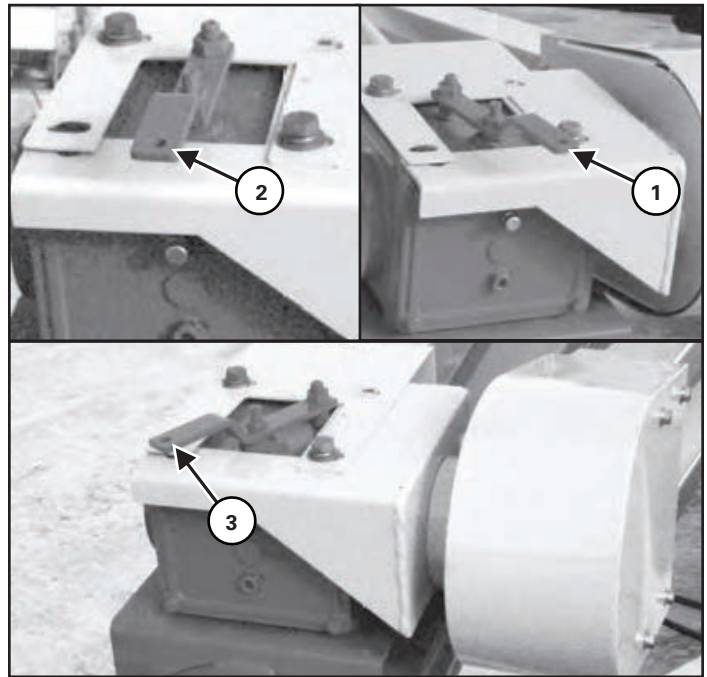
!

# IMPORTANT

Review the engine manufacturer's operator manual for proper engine operation procedure.

## SHIFTABLE GEARBOX

Figure 152



Shiftable gearboxes are equipped with three settings.

*Normal Setting* (Item 1) [Figure 152]

The flighting moves material from the intake to the discharge spout. This setting should be used for normal operation.

*Neutral Setting* (Item 2) [Figure 152]

The flighting is stopped.

*Reverse Setting* (Item 3) [Figure 152]

The flighting will reverse and move any material in the tube to the intake.

!

# IMPORTANT

Always disengage power before shifting.

It may be necessary to manually turn the intake slightly to allow the internal gears to mesh.

## ELECTRIC CLUTCH

Run engine on low idle.

Engage the electric clutch to begin operation.



## IMPORTANT

Engage the electric clutch only when auger is empty.

---



## WARNING

Do NOT engage the electric clutch when running at high RPM or risk damage to the equipment.

---

## FIELD OPERATION

### Working Position

Review the pre-operation checklist (see Pre - Operation Checklist on **page 83**).

Move the equipment to work area (see Hitching / Unhitching on **page 86**).

Clear the area of bystanders, especially small children, before starting.

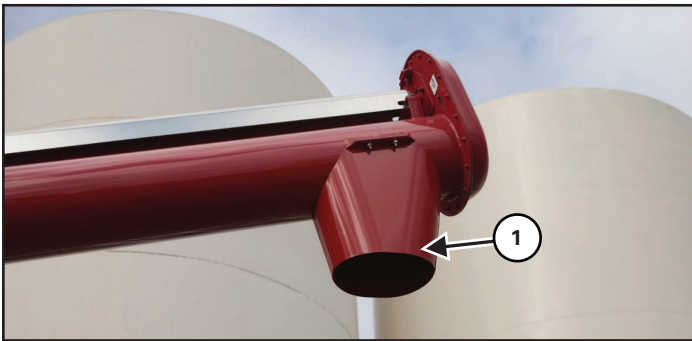
Review the Workplace Hazards schematics [**Figure 154**] and [**Figure 155**].

Use extra care when inside the hazard area. Keep all spectators and bystanders out of this area. Stop the machine immediately if anyone enter this area.

Back the machine up to the storage facility while it is in its lowered configuration.

Use the hydraulic or manual winch to slowly raise the machine into position (see Raising / Lowering Auger on **page 88**).

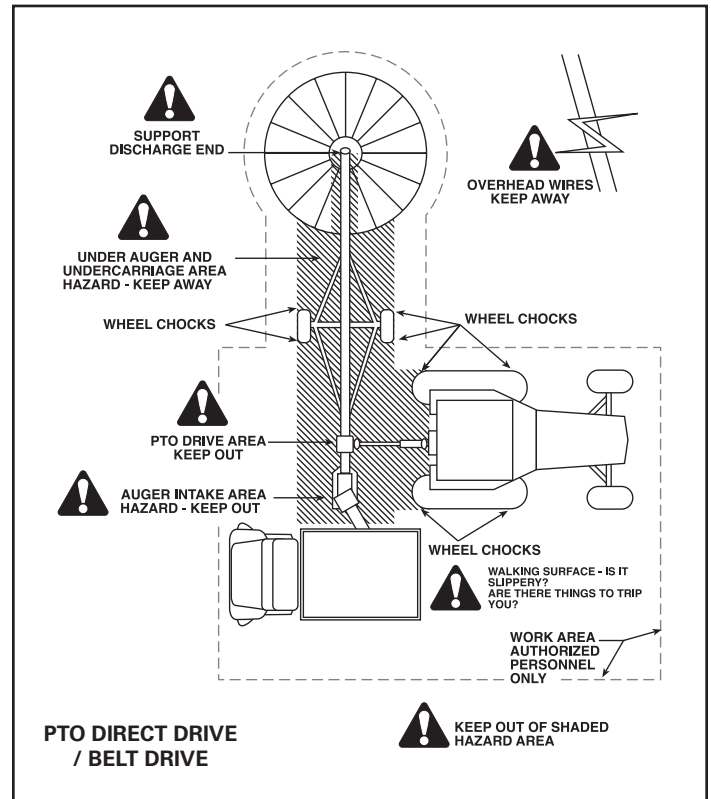
**Figure 153**



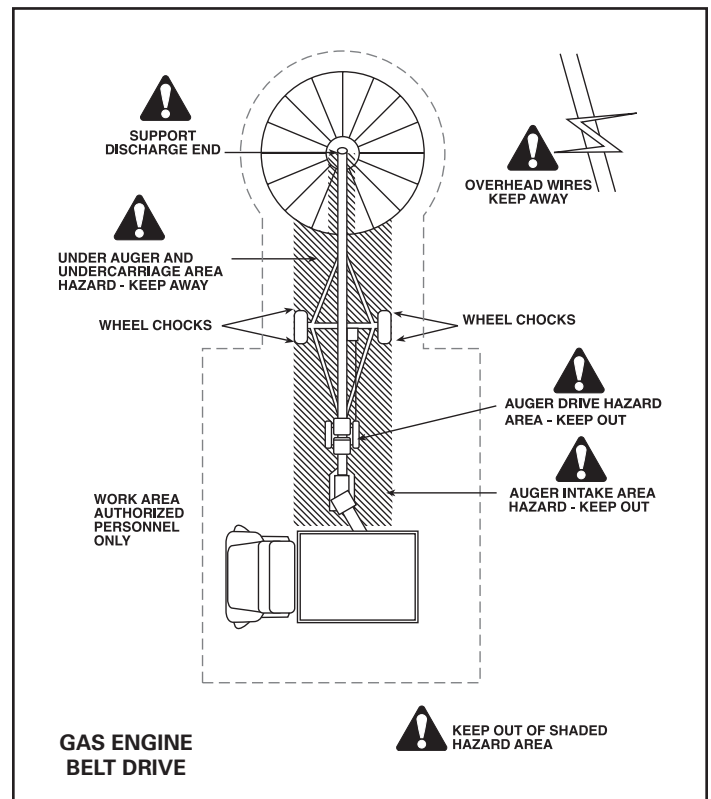
Slowly back the machine until the discharge spout (Item 1) [**Figure 153**] is over the opening in the storage facility.

Use the hydraulic or manual winch to slowly lower the discharge end of the machine until it is just above the storage facility.

**Figure 154**



**Figure 155**

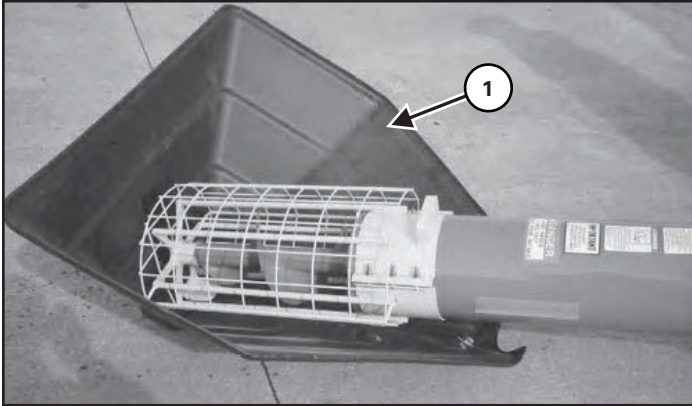




Place chocks in the front and rear of each wheel.

Unhook the unit from the tractor or towing vehicle (see Hitching / Unhitching Auger on **page 86**).

**Figure 156**



Raise the intake end slightly and slide the optional plastic hopper (Item 1) **[Figure 156]** under the intake. Nest the intake flighting frame in the bottom of the hopper.

**! IMPORTANT**

**Make sure the tube does not rest on the storage facility, to prevent auger or storage facility damage.**

Disconnect hydraulic hoses if equipped with hydraulic winch.

Connect the PTO driveline if equipped (see PTO Belt Drive / Direct Drive on **page 89**).

Engage the gas engine drive system (See Gas Engine Belt Drive on **page 90**).

**! IMPORTANT**

**Position tractor to ensure U joint working angles are equal (15 degrees or less is recommended) and that PTO shaft is retracted enough to prevent disengagement of PTO.**

**Auger Operation**

**PTO Models:**

1. Place all controls in neutral.
2. Start tractor and run at low idle.
3. Slowly engage the PTO clutch.
4. Start the flow of material and unload.
5. Increase engine speed to a rated PTO speed of 540 rpm.
6. Stop unloading.
7. Run until the auger is empty.
8. Reduce engine speed to low idle.
9. Disengage PTO clutch.
10. Shut off engine and remove ignition key.

**Gas Engine Model:**

1. Disengage auger drive.
2. Move the throttle to its mid-range position.
3. Close the choke if the engine is cold or if the unit has not been run for a while.
4. Turn the ignition key clockwise to start the engine. Release the key when the engine starts.
5. Run for 2-3 minutes to allow the engine to warm.
6. Engage the auger drive.
7. Start the flow of material and unload.
8. Increase engine speed to maximum rpm.
9. Stop unloading.
10. Run until the auger is empty.
11. Move the throttle to its 1/4 position.
12. Disengage auger drive.
13. Shut off engine and remove ignition key.

**NOTE: The hydraulic or manual winch can set the auger tube angle at any position between 15° and 60° when operating. Although the machine will continue to move material through the tube, it will have greater capacity at a lower angle.**

**TRANSPORTING**

Always comply with federal, state, local and provincial laws regarding the transport of farm equipment on public roadways.

 **IMPORTANT**

**Do not exceed 20 mph (32 kph).**

 **WARNING**

**Use of an unapproved hitch or tractor / tow vehicle can result in loss of control, leading to serious injury or death.**

**Tractor / tow vehicle and hitch must have the rated capacity to tow equipment.**

Verify that the tractor / tow vehicle is approved for transporting the equipment and that the equipment is securely attached to the tractor / tow vehicle.

Verify safety chain is installed and properly connected before transporting equipment.

Verify that the SMV (Slow Moving Vehicle) emblem, all lights and reflectors are clean and visible.

Enter the operator's position, start the engine and release the parking brake.

Engage the tractor hydraulics (see the tractor's operator's manual for the correct procedure).

Fully raise the toolbar into transport position.

 **IMPORTANT**

**8" CX2 Models: Tube mounted electric motor must be removed prior to transportation.**

 **WARNING**

**AVOID SERIOUS INJURY OR DEATH**

**DO NOT** transport loaded equipment on public roadways. Excess weight will greatly increase tractor stopping distance and may cause the operator to lose control of the tractor or tow vehicle.

The ratio of the tractor / tow vehicle weight to the loaded equipment weight plays an important role in defining acceptable travel speed.

TRAVEL SPEED - Acceptable travel speed.

WEIGHT RATIO - Weight of fully equipped or loaded implement(s) relative to weight of tractor / tow vehicle.

Maximum Travel Speed	Weight Ratio
20 mph (32 kph)	Less than 1 to 1
10 mph (16 kph)	Less than 2 to 1
DO NOT TOW	More than 2 to 1

# MAINTENANCE

TRUBLESHOOTING.....	97
Chart.....	97
SERVICE SCHEDULE.....	98
Maintenance Intervals.....	98
LUBRICATION.....	99
Recommendations.....	99
BELTTENSION.....	99
Gas Engine Belt Tension.....	99
Electric Clutch Belt Tension.....	99
PTO Belt Drive Tension.....	100
PTO BELT DRIVE BEARING COLLAR.....	100
GEARBOX OIL.....	101
AXLES.....	101
Wheel Bolt Torque.....	101
Tire / Wheel Replacement.....	101
Tire Pressure.....	102
STORAGE AND RETURN TO SERVICE.....	103
Storage.....	103
Return To Service.....	103
SAFETY SIGN (DECAL) INSTALLATION.....	103
Procedure.....	103

# Farm King



## TROUBLESHOOTING

### Chart



# WARNING

Instructions are necessary before operating or servicing equipment. Read and understand the Operator And Parts Manual and safety signs (decals) on equipment. Follow warnings and instructions in the manuals when making repairs, adjustments or servicing. Check for correct function after adjustments, repairs or service. Untrained operators and failure to follow instructions can cause injury or death.

**NOTE:** If a problem is encountered that is difficult to solve, even after having read through this troubleshooting section, please call your local Farm King dealer. Before you call, please have this Operator And Parts Manual and the serial number of your machine at hand.

PROBLEM	CAUSE	CORRECTION
Auger will not run.	No power.	Move engage / disengage lever into position. Start gas engine or tractor and engage control.
	Drive belt loose.	Adjust drive belt tension.
	No fuel.	Refuel gas engine or tractor.
	Broken shear bolt.	Replace shear bolt.
Low capacity.	Auger frame angle is too steep.	Reposition to lower tube slope angle.
	Drive belt slipping.	Adjust drive belt tension.
	Incorrect speed.	Increase speed to rated rpm.
	Low volume.	Keep hopper full.
Flighting won't turn.	Seized bearing.	Replace damaged bearing.
	Flighting jammed.	Remove any foreign objects jammed in the flighting area.

## SERVICE SCHEDULE

### Maintenance Intervals

Maintenance work must be done at regular intervals. Failure to do so will result in excessive wear and early failures. The service schedule is a guide for correct maintenance of the equipment.



## WARNING

Instructions are necessary before operating or servicing equipment. Read and understand the Operator and Parts Manual and safety signs (decals) on equipment. Follow warnings and instructions in the manuals when making repairs, adjustments or servicing. Check for correct function after adjustments, repairs or service. Untrained operators and failure to follow instructions can cause injury or death.

#	DESCRIPTION	SERVICE PROCEDURES					
		Check	Clean	Lube	Change	Cover	Repack
<b>Daily Maintenance (or every 8 hours)</b>							
1	PTO Jack Shaft			•			
2	PTO Shaft			•			
<b>Weekly (or every 50 hours)</b>							
3	Gearbox Oil Level (Standard)	•					
4	Gearbox Oil Level (Shiftable)	•					
5	PTO Drive Belt Tension	•					
6	Gas Engine Drive Belt Tension	•					
<b>Every 100 hours</b>							
7	Sprocket/Chain Drive			•			
8	Hydraulic Winch Gearbox	•					
<b>Annually (or every 400 hours)</b>							
11	Wheel Bearings						•
12	Machine		•				
<b>Two Years (or every 400 hours)</b>							
13	Gearbox Oil (Standard)				•		
14	Gearbox Oil (Shiftable)				•		
15	Gearbox Oil (Hydraulic Winch)				•		

## LUBRICATION

### Recommendations

Always use a good quality multi-purpose / lithium base grease when lubricating the equipment.

- Always use a hand-held grease gun.
- Clean fitting before greasing, to avoid injecting dirt and grit.
- Replace and repair broken fittings immediately.
- If fittings will not take grease, remove and clean thoroughly. Replace fitting if necessary.



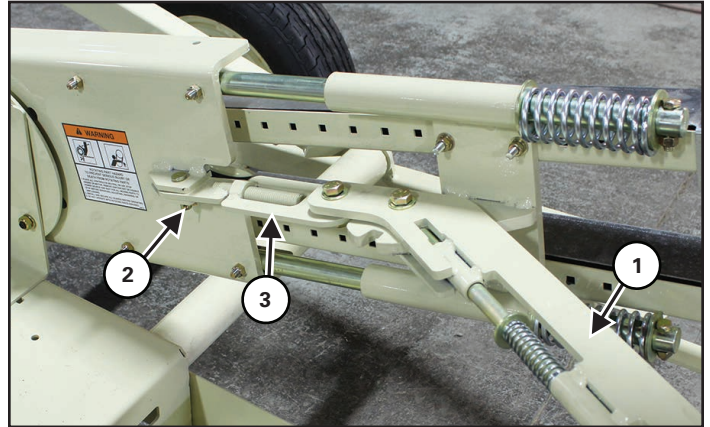
## IMPORTANT

Fluid such as engine oil, hydraulic fluid, coolants, grease, etc. must be disposed of in an environmentally safe manner. Some regulations require that certain spills and leaks on the ground must be cleaned in a specific manner. See local, state and federal regulations for the correct disposal.

## BELT TENSION

### Gas Engine Belt Tension

**Figure 157**



Adjust the belt drive tension.

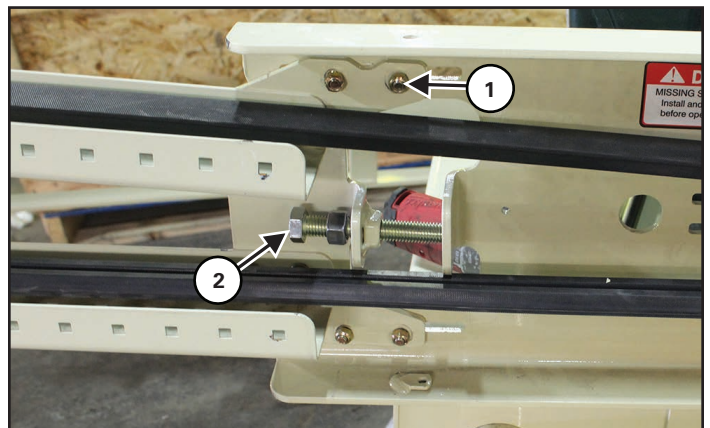
Move the engagement lever (Item 1) to the disengaged position [Figure 157].

Remove the anchor pin (Item 2) on the adjustable turnbuckle. Extend turnbuckle (Item 3) to increase belt tension and shorten to decrease tension [Figure 157].

Reinstall turnbuckle and secure with anchor pin and retainer. Engage and disengage drive to check tension. Do not over tighten.

### Electric Clutch Belt Tension

**Figure 158**

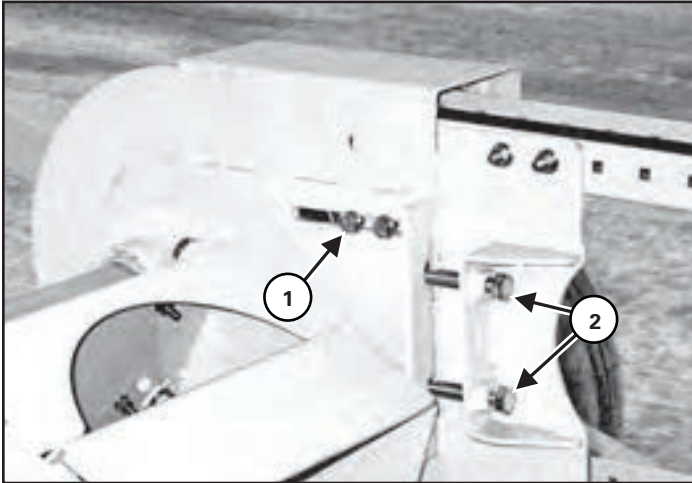


Loosen the slider bolts (Item 1). Tighten or loosen the adjustment bolt (Item 2) [Figure 158].

Retighten slider bolts.

## PTO Belt Drive Tension

Figure 159



Adjust the belt drive tension.

Remove the upper and lower covers from the belt tray.

Check the belt tension. Belts should be tight.

Loosen pulley assembly anchor bolts (Item 1). Loosen jam nuts on position bolts (Item 2) [Figure 159].

Use the pulley assembly position bolts (Item 2) to move the drive pulley into its required position. Tighten jam nuts on position bolts (Item 2) [Figure 159].

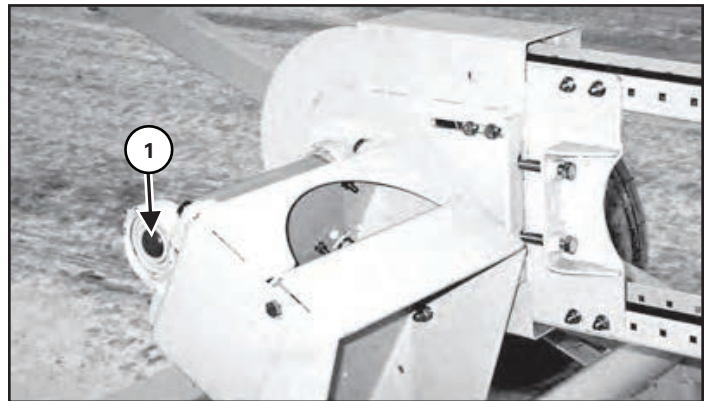
Check belt tension and readjust if necessary.

Tighten pulley assembly anchor bolts (Item 1) [Figure 159] to their specified torque.

Install and secure guards over the top of the drive belt.

## PTO BELT DRIVE BEARING COLLAR

Figure 160

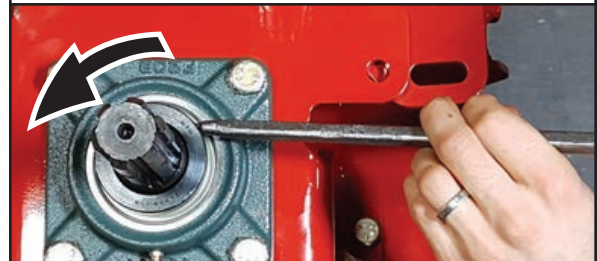


Tighten the bearing collar (Item 1) [Figure 160].



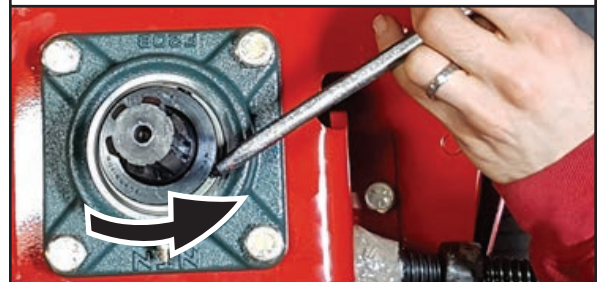
# IMPORTANT

**CORRECT**



**Tighten the bearing collar in the direction of shaft rotation.**

**INCORRECT**

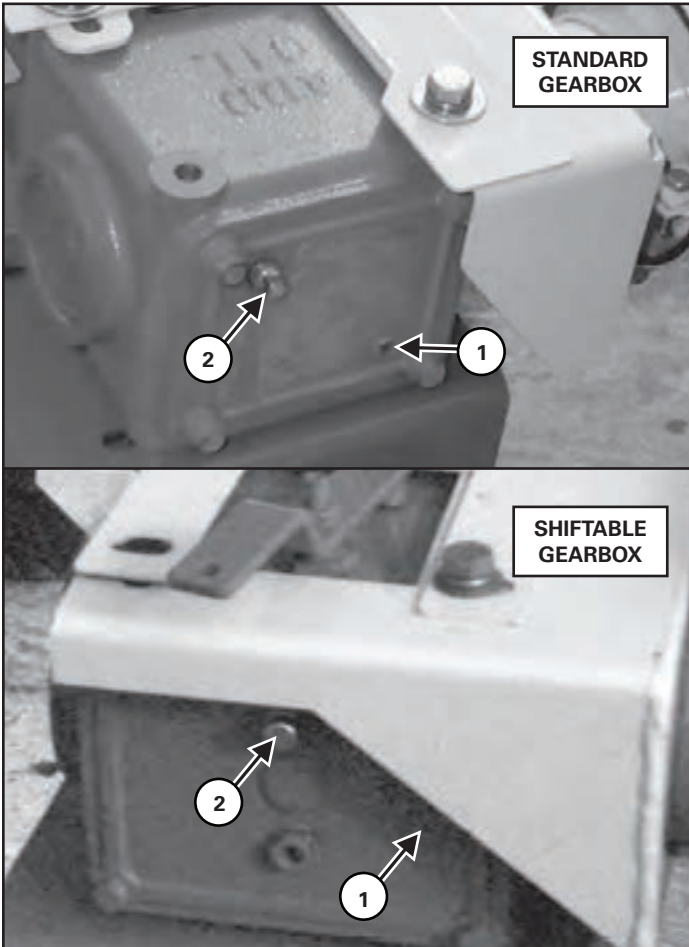


Bearing collars depicted do not show exact PTO belt drive components, but procedure is correct.



## GEARBOX OIL

Figure 161



Check the gearbox oil level.

Remove the drain plug (Item 1) [Figure 161] from the side of the gearbox.

Oil level should be just touching the threads.

Add oil through the fill plug (Item 2) [Figure 161] as required.

Reinstall drain and fill plugs.

Use SAE 80W90 synthetic oil.

## AXLES

### Wheel Bolt Torque



## IMPORTANT

### Check Wheel Nuts After:

1. First 3 (three) hours of field operation.
2. First 10 (ten) hours of field operation.
3. First 50 (fifty) hours of field operation.
4. Every 200 (two hundred) hours of operation.

### REPEAT PROCEDURE IF A WHEEL IS REMOVED OR REINSTALLED

Torque wheel bolts to 72 ft-lbs.

Tighten wheel bolts in a criss-cross pattern.

### Tire / Wheel Replacement

Periodically check tires for cuts, bulges and damaged rims.



## WARNING

### AVOID INJURY OR DEATH

Before you leave the operator's position:

- Always park on a flat level surface.
- Place all controls in NEUTRAL.
- Engage the park brake.
- Stop the engine and remove the key.
- Wait for all moving parts to stop.

Park the tractor / equipment on a flat level surface.

Place all controls in neutral, engage the park brake, stop the engine and wait for all moving parts to stop. Leave the operator's position.



## WARNING

### AVOID INJURY OR DEATH

Always chock tires before performing any maintenance or service.

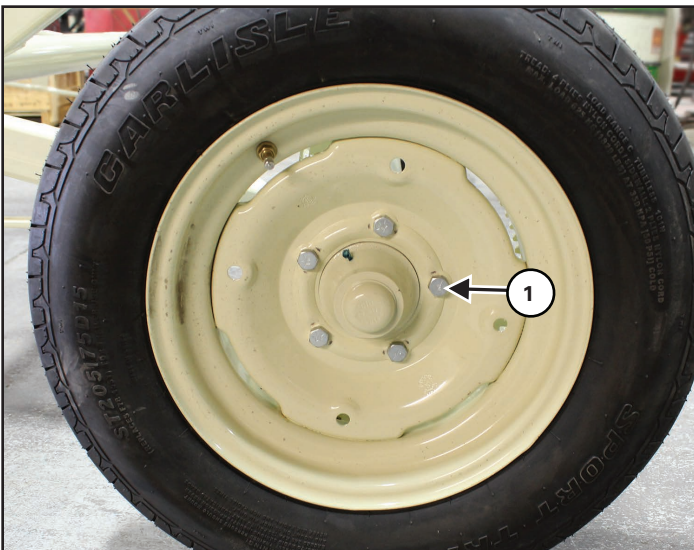
Place chock blocks behind and in front of the opposite tire to be removed.

Raise axle frame with jack until the tire / wheel is slightly off the ground.

**NOTE:** Place blocks / stands under the frame to secure the equipment when tire / wheel is raised off the ground.

Remove the ten wheel nuts and tire assembly.

**Figure 162**



Install the new tire with the valve stem facing out.

Reinstall five wheel bolts (Items 1) [Figure 162]. Tighten wheel bolts in a criss-cross pattern.

Tighten wheel bolts to proper torque.

**Torque wheel bolts to 72 ft-lbs.**

Lower tire / wheel assembly to the ground.

After tightening the wheel bolts, pull the equipment approximately one (1) mile and re-tighten the wheel bolts to proper torque.

### Tire Pressure



## CAUTION



When inflating tires, use a clip-on chuck and extension hose long enough to allow you to stand to one side and NOT in front of or over the tire assembly.

Check tire pressure daily. Fill tires per tire manufacturer's recommendation. See side wall of tire for inflation requirements.

## STORAGE AND RETURN TO SERVICE

### Storage

Sometimes it may be necessary to store the equipment for an extended period of time. Below is a list of items to perform before storage.



## IMPORTANT

**DO NOT permit children to play on or around the stored machine.**

- Thoroughly wash the machine with a pressure washer or water hose to remove all dirt, mud, debris or residue.
- Lubricate all bushings to remove any water residue from washing.
- Remove any material that has become entangled around any moving part.
- Inspect the hitch and all welds on the equipment for wear and damage.
- Check for loose hardware, missing guards, or damaged parts.
- Check for damaged or missing safety signs (decals). Replace if necessary.
- Replace worn or damaged parts.
- Touch up all paint nicks and scratches to prevent rusting.
- Place the equipment in a dry protected shelter.

**NOTE: If a dry protected shelter is not available, cover with a waterproof tarp and tie down securely.**

- Support the jack / frame with planks if required.

### Return To Service

After the equipment has been in storage, it is necessary to follow a list of items to return the equipment to service.

- Be sure all shields and guards are in place.
- Lubricate the equipment.
- Connect to a tractor and operate equipment, verify all functions operate correctly.
- Check for leaks. Repair as needed.

## SAFETY SIGN (DECAL) INSTALLATION

### Procedure



## IMPORTANT

**When replacing safety signs (decals), the temperature must be above 10° C (50° F).**

- Remove all portions of the damaged safety sign (decal).
- Thoroughly clean the area with adhesive remover and glass cleaner. Remove all adhesive residue.
- Allow the area to dry completely before installing the new safety sign (decal).
- Position the safety sign (decal) in the correct location.
- Remove a small portion of the backing paper on the safety sign (decal).
- Press on the safety sign (decal) where the backing paper has been removed.
- Slowly remove the remaining backing paper, pressing on the safety sign (decal) as the backing paper is removed.
- Using the backing paper, pressing firmly, move the backing paper over the entire safety sign (decal) area.

**NOTE: Small air pockets can be pierced with a pin and smoothed out using the piece of the backing paper.**

# Farm King



**PARTS IDENTIFICATION**

GENERAL PARTS INFORMATION..... 108

PIVOT PULLEY HOLDER..... 108

TRACK ROLLER PULLEY - 41 FT., 51 FT..... 110

TRACK ROLLER PULLEY - 61 FT..... 112

UNDERCARRIAGE - 41 FT..... 114

UNDERCARRIAGE - 51 FT..... 116

UNDERCARRIAGE - 61 FT..... 118

WHEEL & HUB..... 120

TUBES - 841 DIRECT DRIVE..... 122

TUBES - 841 BELT DRIVE..... 124

TUBES - 1041 DIRECT DRIVE..... 126

TUBES - 1041 BELT DRIVE..... 128

TUBES - 851 DIRECT DRIVE..... 130

TUBES - 851 BELT DRIVE..... 132

TUBES - 1051 DIRECT DRIVE..... 134

TUBES - 1051 BELT DRIVE..... 136

TUBES - 861 DIRECT DRIVE..... 138

TUBES - 1061 DIRECT DRIVE..... 140

TUBES - 1061 BELT DRIVE..... 142

TOP SECTION - 841, 851, 861 DIRECT DRIVE..... 144

TOP SECTION - 841, 851, 861 BELT DRIVE..... 146

TOP SECTION - 1041, 1051, 1061 DIRECT DRIVE..... 148

TOP SECTION - 1041, 1051 BELT DRIVE..... 150

BOTTOM SECTION - 841, 1041..... 152

BOTTOM SECTION - 851..... 153

BOTTOM SECTION - 1051..... 154

BOTTOM SECTION - 861..... 155

BOTTOM SECTION - 1061.....	156
BELT DRIVE, PTO - 841, 851.....	158
BELT DRIVE, PTO - 1041, 1051, 1061.....	162
BELT DRIVE, ENGINE MOUNT, MANUAL LEVER.....	166
LINEAR ACTUATOR.....	170
BELT DRIVE, ENGINE/MOTOR MOUNT, ELECTRIC CLUTCH.....	172
BELT DRIVE, ELECTRIC MOTOR LOW MOUNT.....	174
ELECTRIC MOTOR TUBE MOUNT.....	178
WINCH MECHANICAL.....	180
WINCH HYDRAULIC.....	182
GEARBOX - 841, 851, 861.....	184
GEARBOX SHIFTABLE - 841, 851, 861.....	186
GEARBOX - 1041, 1051, 1061.....	188
GEARBOX SHIFTABLE - 1041, 1051, 1061.....	190
JACK.....	192
PTO & SHIELD - 8 IN.....	194
PTO & SHIELD - 10 IN.....	196

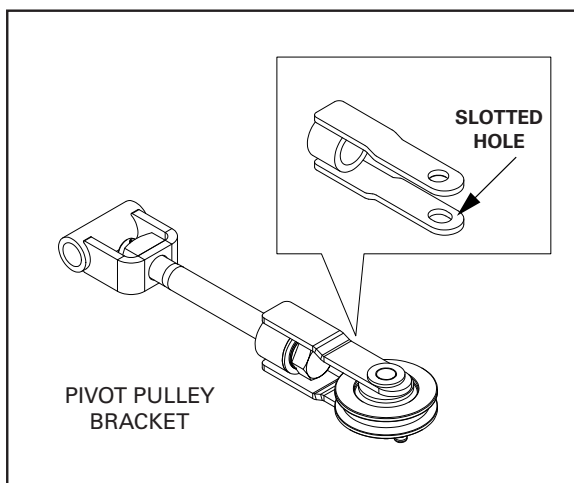
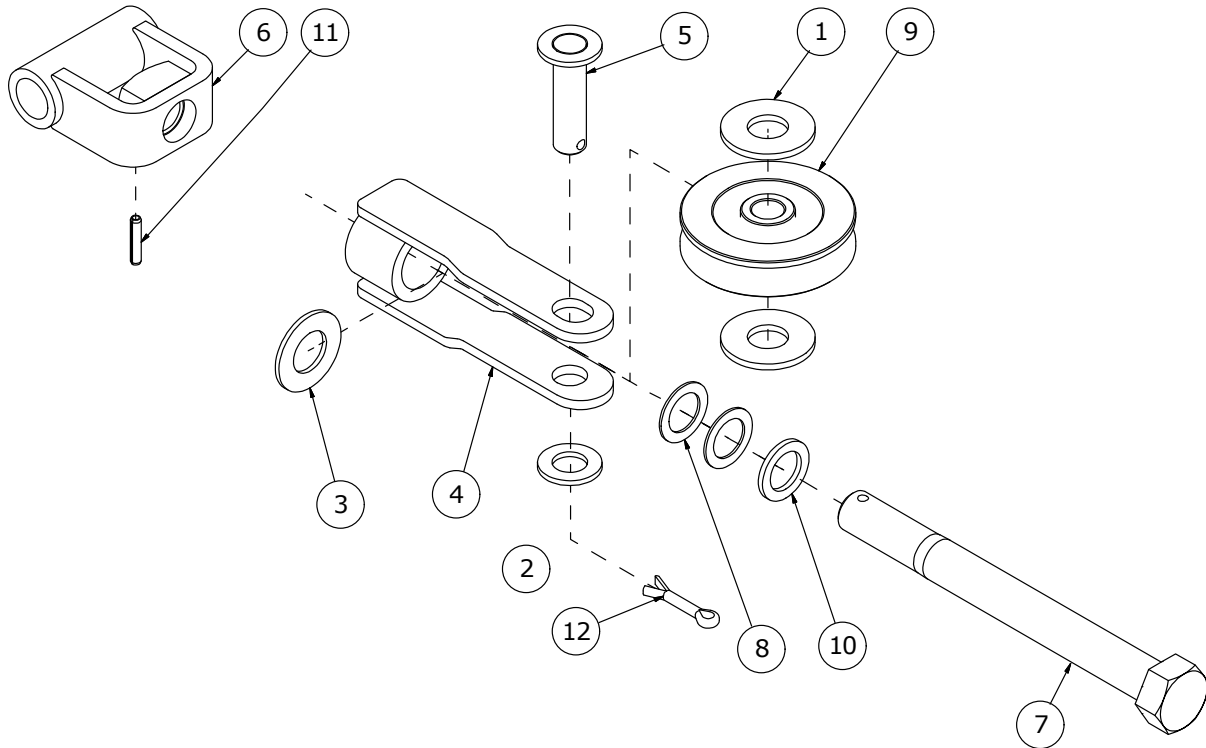
# Farm King



## GENERAL PARTS INFORMATION

The parts identification section list descriptions, part numbers and quantities for all North America Base Model CX2 Series Augers. Contact your Farm King dealer for additional parts information.

### PIVOT PULLEY HOLDER



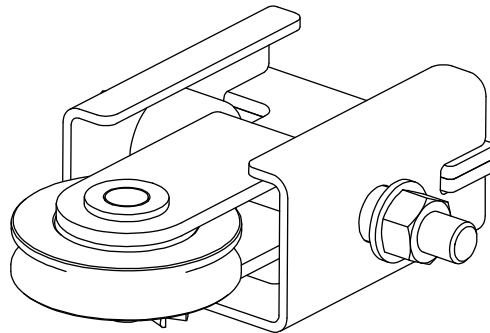
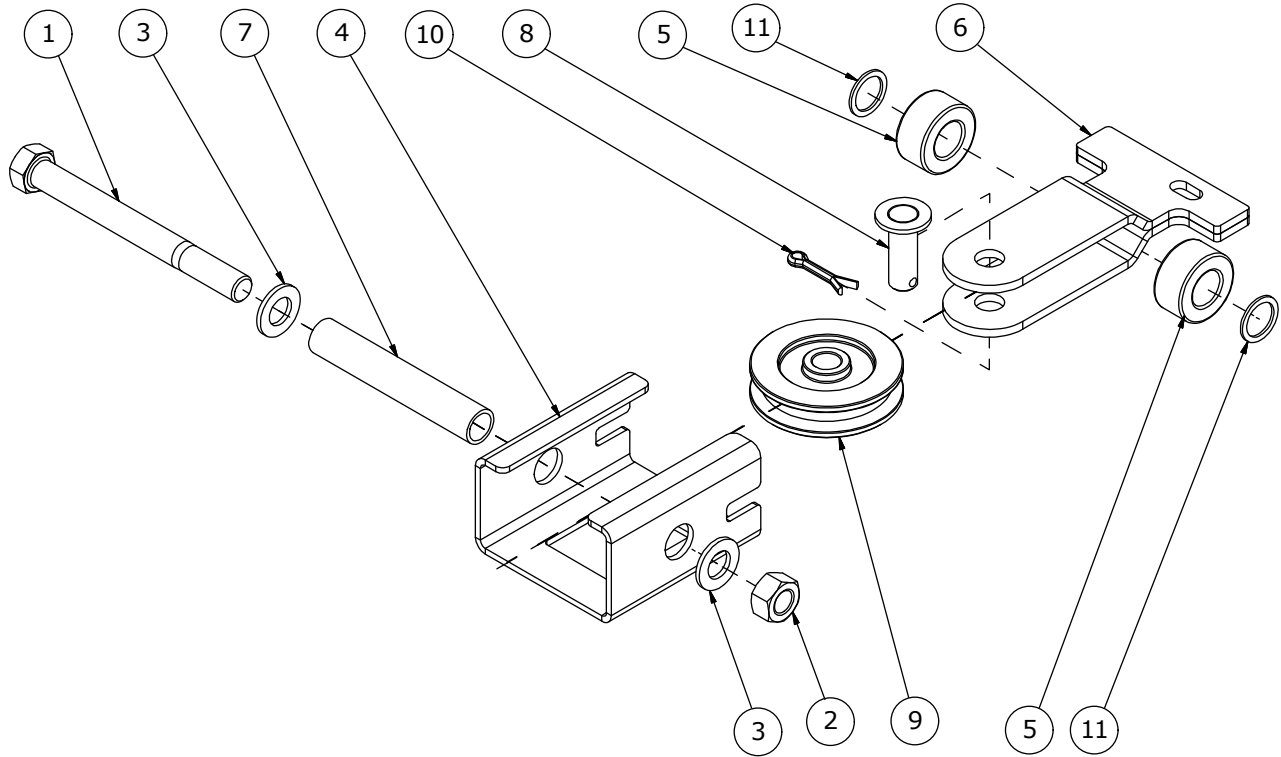
**Position the slotted hole of the pivot pulley bracket facing downwards..**

**The pivot pulley will angle away from the winch once tension is applied to the cable.**



ITEM	PART NUMBER	DESCRIPTION	QTY.
1	81972	7/8" SAE WASHER	2
2	84050	3/4" S.A.E. FLAT WASHER (PL)	1
3	84522	1" ID SAE FLAT WASHER (PL)	1
4	912966	PULLEY HOLDER (ROTATION)	1
5	913331	PIN WELDT (3/4 OD X 2-7/8)	1
6	913575	PULLEY PIVOT WELDMENT	1
7	913577	1" X 10" HEX BOLT (PL) W/ PIN HOLE	1
8	913578	BRONZE THRUST BEARING 1" ID X 1-1/2 OD	2
9	915604	PULLEY-CABLE 4"OD X 3/4"ID	1
10	967140	1" X 10GA NARROW RIM WASH (PL)	1
11	9812425	1/4" X 1-1/4" SPRING PIN (PL)	1
12	9812434	1/4" X 1-1/2" COTTER PIN (PL)	1

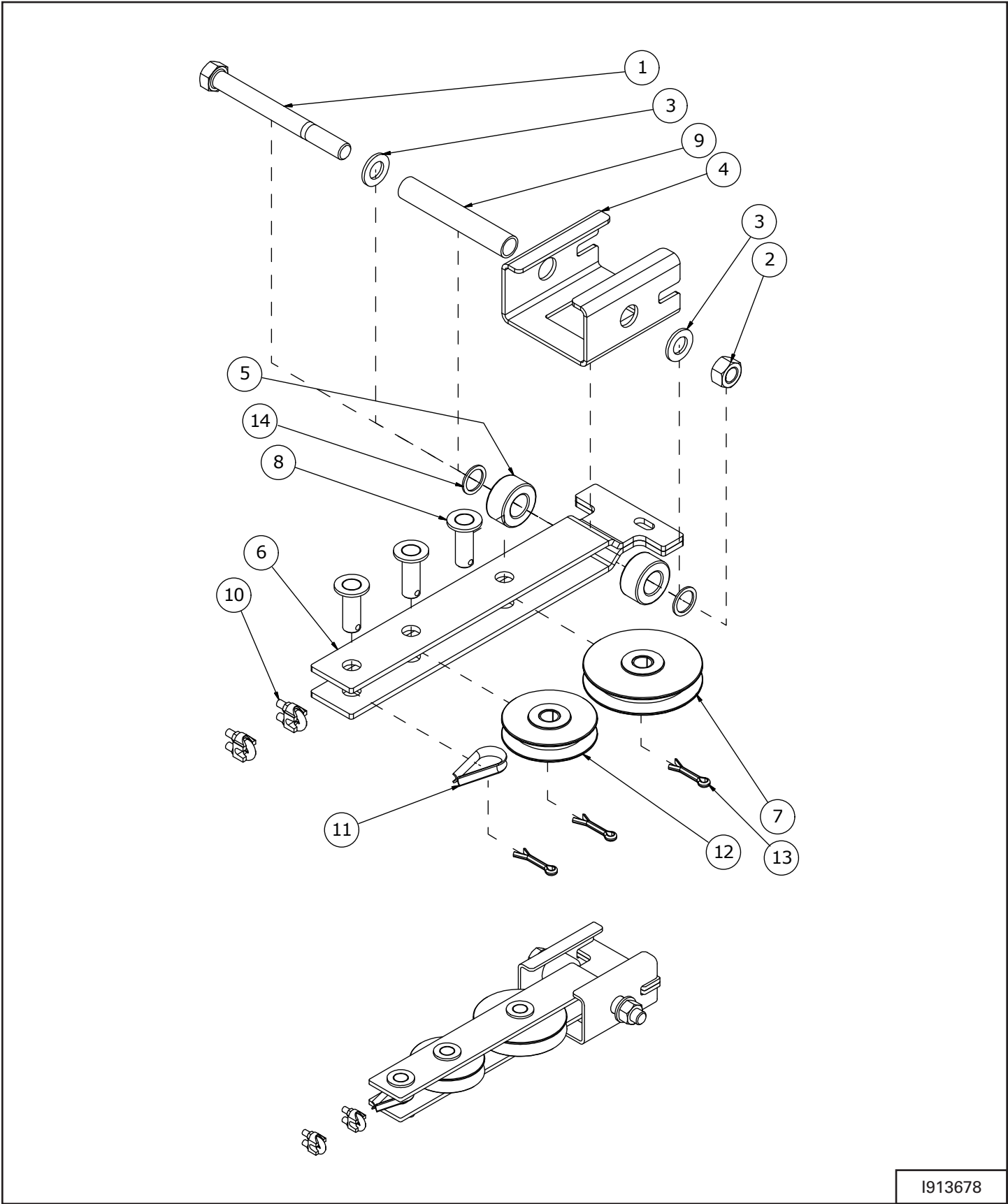
### TRACK ROLLER PULLEY - 41 FT., 51 FT.



I913329

ITEM	PART NUMBER	DESCRIPTION	QTY.
1	811746	3/4" X 7.5" HEX BOLT	1
2	812365	3/4" LOCK NUT (PL)	1
3	84050	3/4" S.A.E. FLAT WASHER (PL)	2
4	912314	TRACK ROLLER FRAME	1
5	912315	TRACK ROLLER	2
6	912317	PULLEY HOLDER WELDMENT	1
7	912437	UNDERCARRIAGE PIVOT BUSHING	1
8	913702	PIN WELDT (3/4 OD X 2-1/4)	1
9	915604	PULLEY-CABLE 4"OD X 3/4"ID	1
10	9812434	1/4" X 1-1/2" COTTER PIN (PL)	1
11	9812438	1" I.D. X 14GA #8 NARROW RIM WASHER (PL)	2

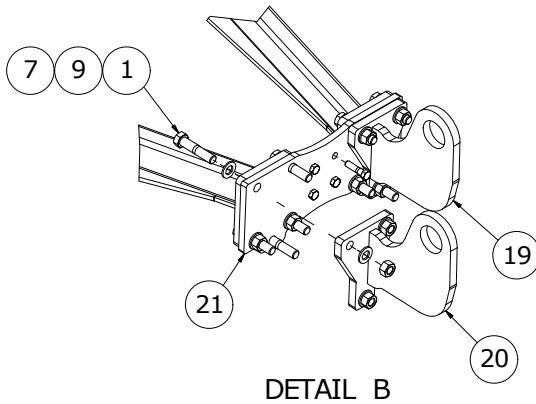
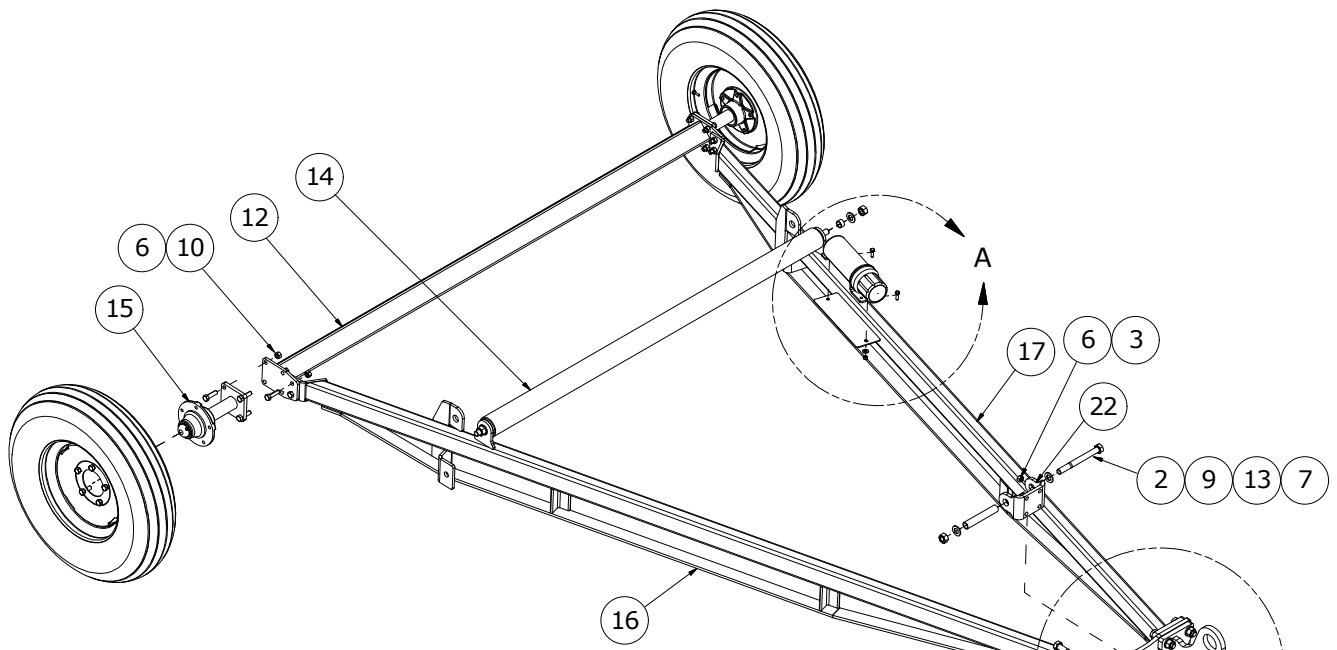
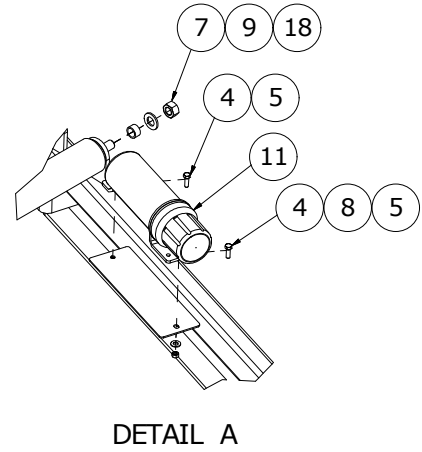
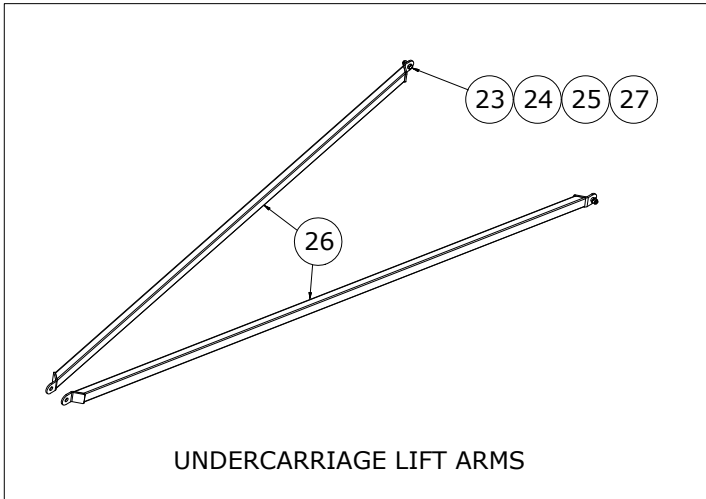
# TRACK ROLLER PULLEY - 61 FT.



I913678

ITEM	PART NUMBER	DESCRIPTION	QTY.
1	811746	3/4" X 7.5" HEX BOLT	1
2	812365	3/4" LOCK NUT (PL)	1
3	84050	3/4" S.A.E. FLAT WASHER (PL)	2
4	912314	TRACK ROLLER FRAME	1
5	912315	TRACK ROLLER	2
6	912516	WELDT-PULLEY HOLDER DOUBLE SHEAVES	1
7	913668	ASSY- PULLEY CABLE 5" OD X .75" BORE	1
8	913702	PIN WELDT (3/4 OD X 2-1/4)	3
9	915693	UNDERCARRIAGE PIVOT BUSHING (61')	1
10	961763	5/16" CABLE CLAMP	2
11	964267	3/8" CABLE THIMBLES	1
12	965907	PULLEY-CABLE 4" OD X .75" BORE	1
13	9812434	1/4" X 1-1/2" COTTER PIN (PL)	3
14	9812438	1" I.D. X 14GA #8 NARROW RIM WASHER (PL)	2

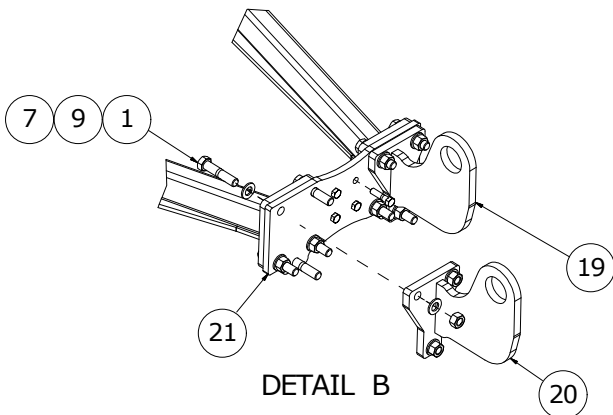
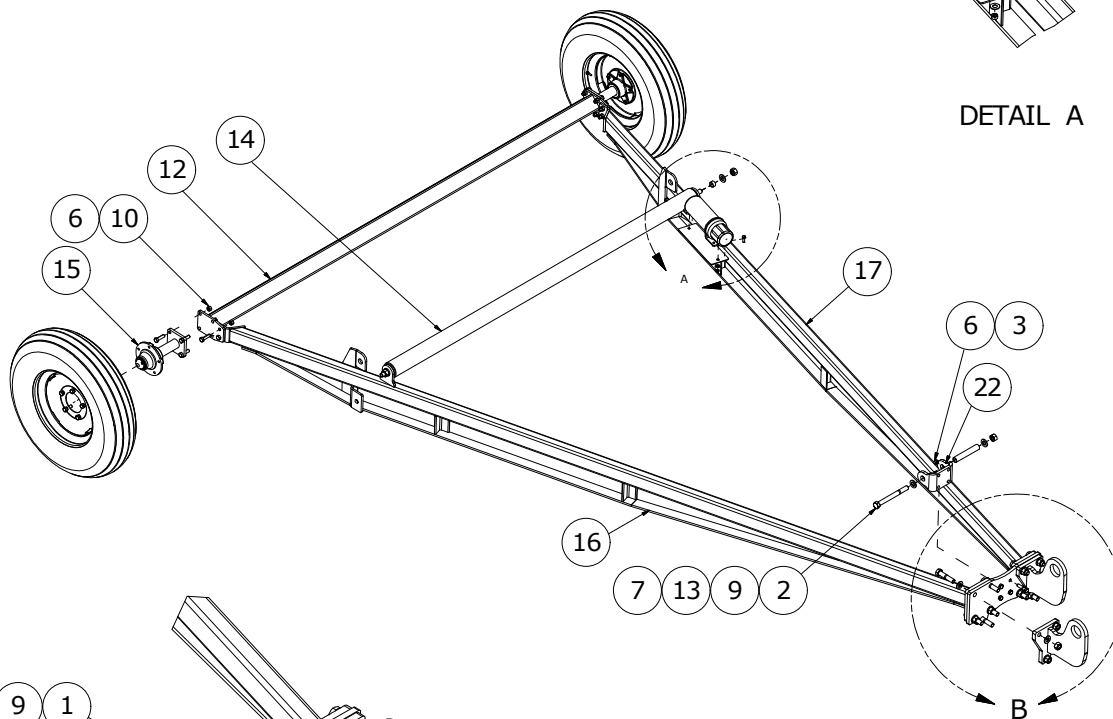
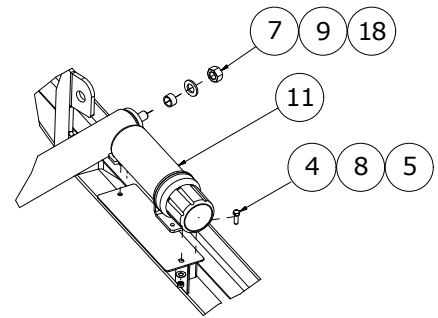
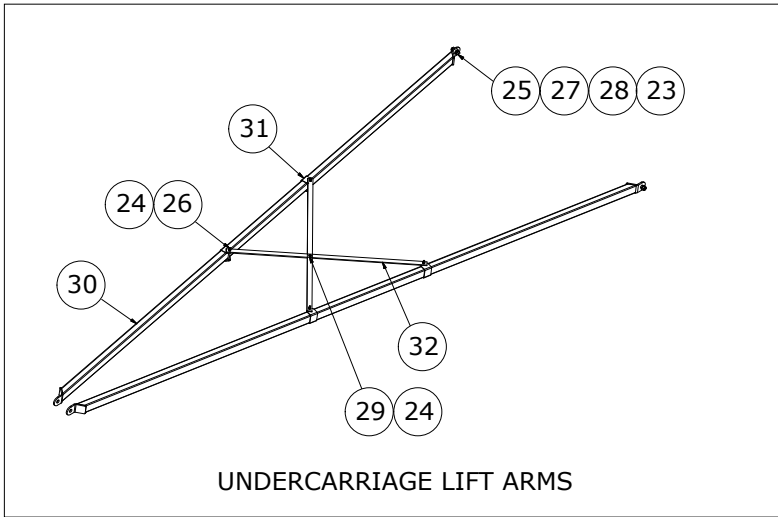
# UNDERCARRIAGE - 41 FT.



928303

ITEM	PART NUMBER	DESCRIPTION	QTY.
1	810149	3/4" X 3-1/2" HEX BOLT (PL)	10
2	811746	3/4" X 7.5" HEX BOLT	1
3	811791	1/2" X 2" HEX BOLT (PL)	4
4	812026	5/16" X 1" HEX BOLT (PL)	2
5	812362	5/16" LOCK NUT (PL)	2
6	812364	1/2" LOCK NUT (PL)	16
7	812365	3/4" LOCK NUT (PL)	13
8	84039	3/8" FLAT WASHER (PL)	1
9	84050	3/4" S.A.E. FLAT WASHER (PL)	24
10	87553	1/2" X 1.75" HEX BOLT UNC GR5 (PL)	12
11	909277	MANUAL HOLDER 3 1/2" X 12"	1
12	912429	AXLE WELDMENT - 41'	1
13	912437	UNDERCARRIAGE PIVOT BUSHING 1.000" DIA	1
14	912947	CROSS BRACE WELDMENT - 41'	1
15	914663	ASSY-HUB & AXLE 5 BOLT	2
16	927213	UNDERCARR WELD - RH 41'	1
17	927216	UNDERCARRIAGE WELD - LH 41'	1
18	927318	UNDERCARRIAGE SPACER	2
19	927365	PIVOT BRACKET RH - 8" MODEL	1
	927363	PIVOT BRACKET RH - 10" MODEL	1
20	927366	PIVOT BRACKET LH - 8" MODEL	1
	927364	PIVOT BRACKET LH - 10" MODEL	1
21	927367L	PLATE SUPPORT	1
22	927374	CYLINDER ARM PIVOT BRT	1
23	812365	3/4" LOCK NUT (PL)	2
24	84050	3/4" S.A.E. FLAT WASHER (PL)	4
25	84467	3/4" X 2" HEX BOLT (PL)	2
26	912477	LIFT ARM WELDMENT 41'	2
27	912503	UNDERCARRIAGE SPACER	2

# UNDERCARRIAGE - 51 FT.

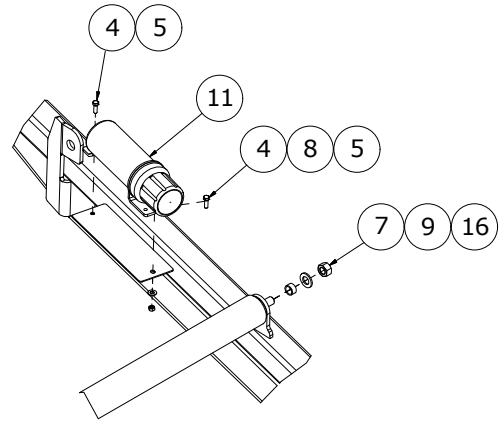
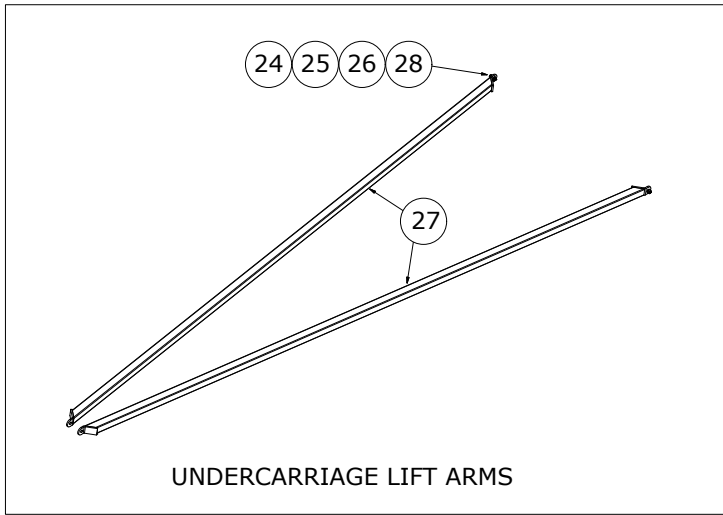


928285

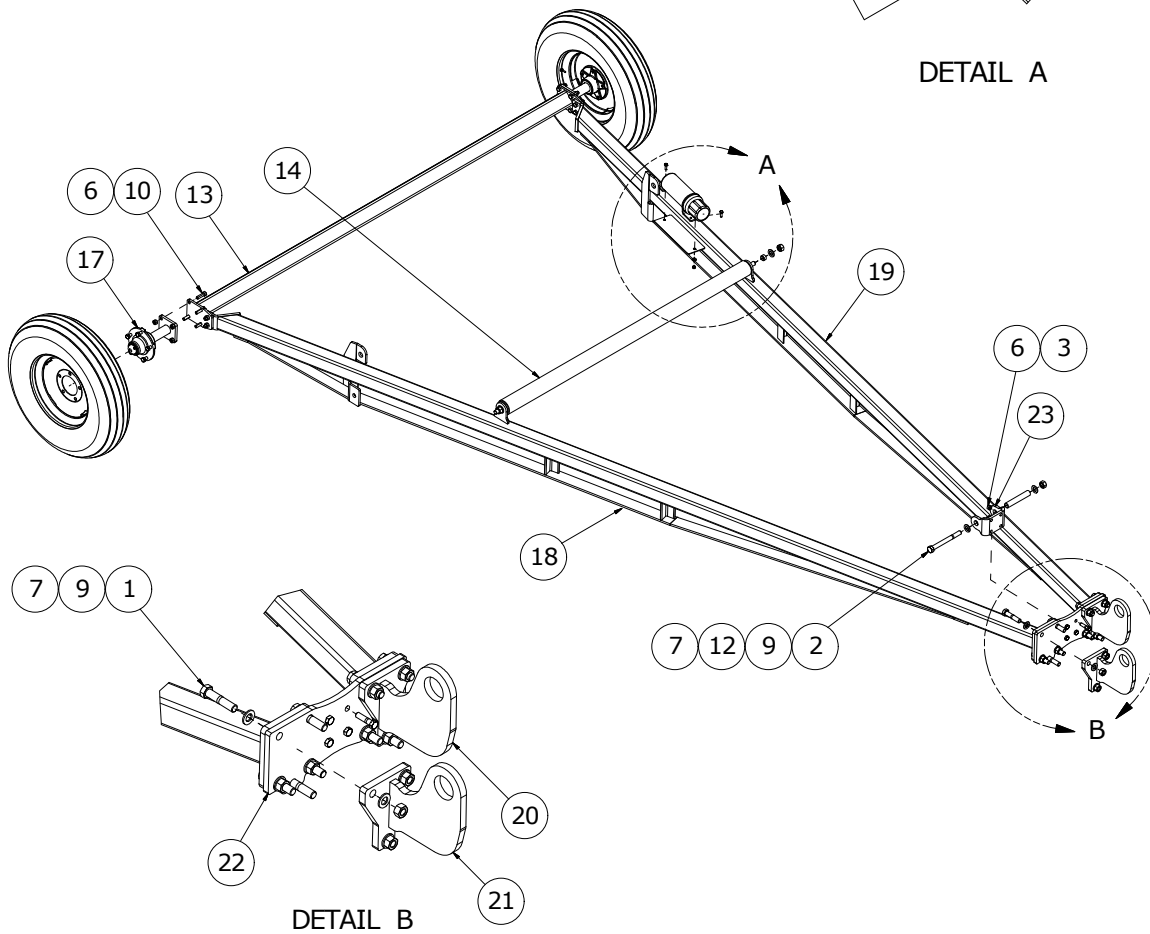


ITEM	PART NUMBER	DESCRIPTION	QTY.
1	810149	3/4" X 3-1/2" HEX BOLT (PL)	10
2	811746	3/4" X 7.5" HEX BOLT	1
3	811791	1/2" X 2" HEX BOLT (PL)	4
4	812026	5/16" X 1" HEX BOLT (PL)	2
5	812362	5/16" LOCK NUT (PL)	2
6	812364	1/2" LOCK NUT (PL)	16
7	812365	3/4" LOCK NUT (PL)	13
8	84039	3/8" FLAT WASHER (PL)	2
9	84050	3/4" S.A.E. FLAT WASHER (PL)	24
10	87553	1/2" X 1.75" HEX BOLT UNC GR5 (PL)	12
11	909277	MANUAL HOLDER 3-1/2" X 12"	1
12	912430	AXLE WELDMENT 51'	1
13	912437	UNDERCARRIAGE PIVOT BUSHING 1.000" DIA	1
14	912448	CROSS BRACE WELDMENT 51'	1
15	914663	ASSY-HUB & AXLE 5 BOLT	2
16	927296	UNDERCARRIAGE WELDT - RH 51'	1
17	927297	UNDERCARRIAGE WELDT - LH 51'	1
18	927318	UNDERCARRIAGE SPACER	2
19	927365	PIVOT BRACKET RH - 8" MODEL	1
	927363	PIVOT BRACKET RH - 10" MODEL	1
20	927366	PIVOT BRACKET LH - 8" MODEL	1
	927364	PIVOT BRACKET LH - 10" MODEL	1
21	927367L	PLATE SUPPORT	1
22	927374	CYLINDER ARM PIVOT BRT	1
23	912503	UNDERCARRIAGE SPACER	2
24	812363	3/8" LOCK NUT (PL)	5
25	812365	3/4" LOCK NUT (PL)	2
26	81588	3/8" X 4-1/2" HEX BOLT (PL)	4
27	84050	3/4" S.A.E. FLAT WASHER (PL)	4
28	84467	3/4" X 2" HEX BOLT (PL)	2
29	86170	3/8" X 1" HEX BOLT GR.5 (PL)	1
30	912441	LIFT ARM WELDT 51'	2
31	912443	CROSS BRACE CLAMP	4
32	912444	CROSS BRACE	2

# UNDERCARRIAGE - 61 FT.



DETAIL A

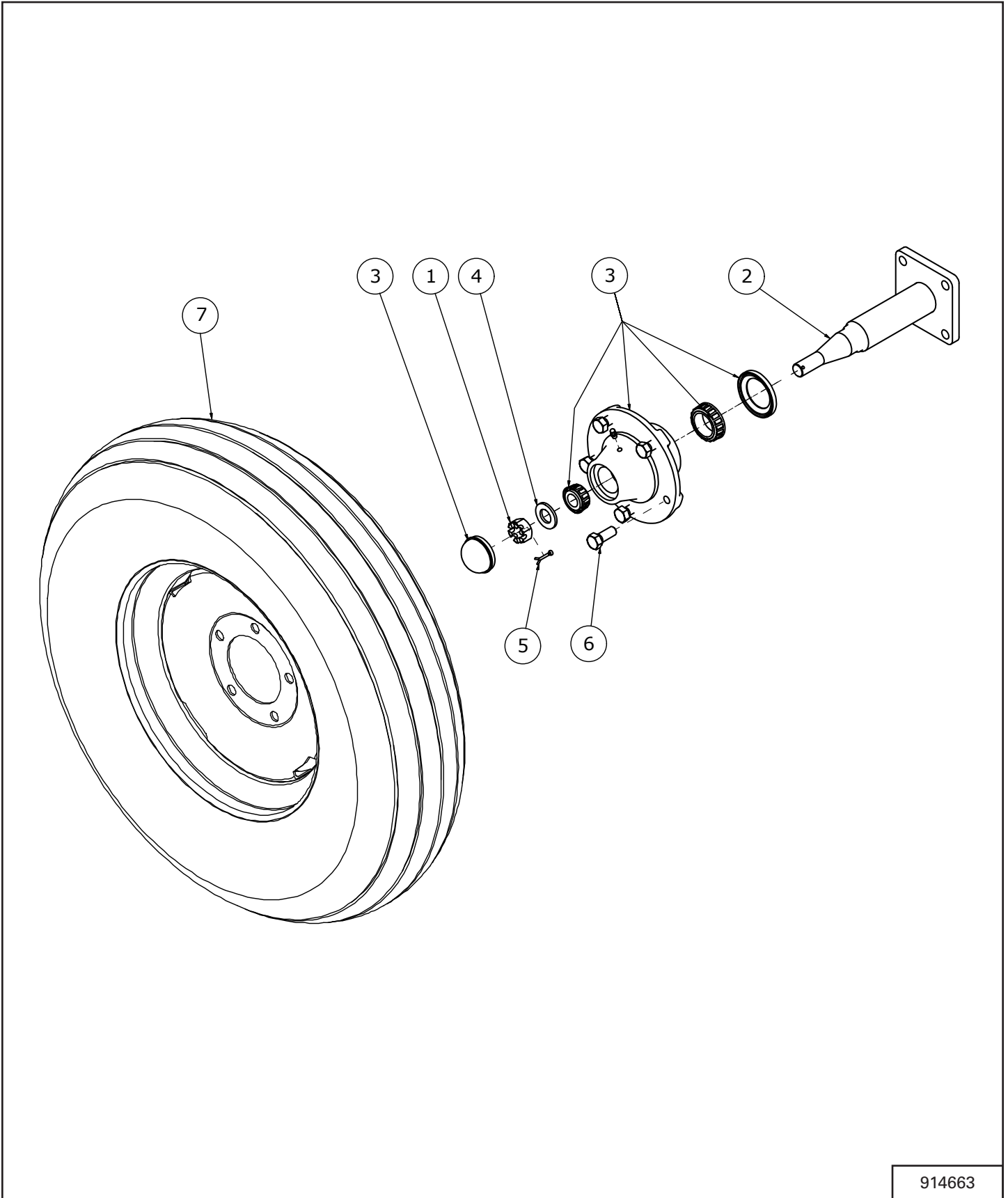


DETAIL B

928297

ITEM	PART NUMBER	DESCRIPTION	QTY.
1	810149	3/4" X 3-1/2" HEX BOLT (PL)	10
2	811746	3/4" X 7.5" HEX BOLT	1
3	811791	1/2" X 2" HEX BOLT (PL)	4
4	812026	5/16" X 1" HEX BOLT (PL)	2
5	812362	5/16" LOCK NUT (PL)	2
6	812364	1/2" LOCK NUT (PL)	16
7	812365	3/4" LOCK NUT (PL)	13
8	84039	3/8" FLAT WASHER (PL)	1
9	84050	3/4" S.A.E. FLAT WASHER (PL)	24
10	87553	1/2" X 1.75" HEX BOLT UNC GR5 (PL)	12
11	909277	MANUAL HOLDER 3-1/2" X 12"	1
12	912437	UNDERCARRIAGE PIVOT BUSHING 1.000" DIA	1
13	912487	AXLE WELDMENT 61'	1
14	912497	CROSS BRACE WELDMENT 61'	1
15	913667	CABLE-WINCH	1
16	913677	UNDERCARRIAGE SPACER 1.000" DIA	2
17	914663	ASSY-HUB & AXLE 5 BOLT	2
18	927147	UNDERCARRIAGE WELDT - RH 61'	1
19	927149	UNDERCARRIAGE WELDT - LH 61'	1
20	927365	PIVOT BRACKET RH - 8" MODEL	1
	927363	PIVOT BRACKET RH - 10" MODEL	1
21	927366	PIVOT BRACKET LH - 8" MODEL	1
	927364	PIVOT BRACKET LH - 10" MODEL	1
22	927367L	PLATE SUPPORT	1
23	927374	CYLINDER ARM PIVOT BRT	1
24	812365	3/4" LOCK NUT (PL)	2
25	84050	3/4" S.A.E. FLAT WASHER (PL)	4
26	84467	3/4" X 2" HEX BOLT (PL)	2
27	912491	LIFT ARM WELDT 61'	2
28	912503	UNDERCARRIAGE SPACER	2

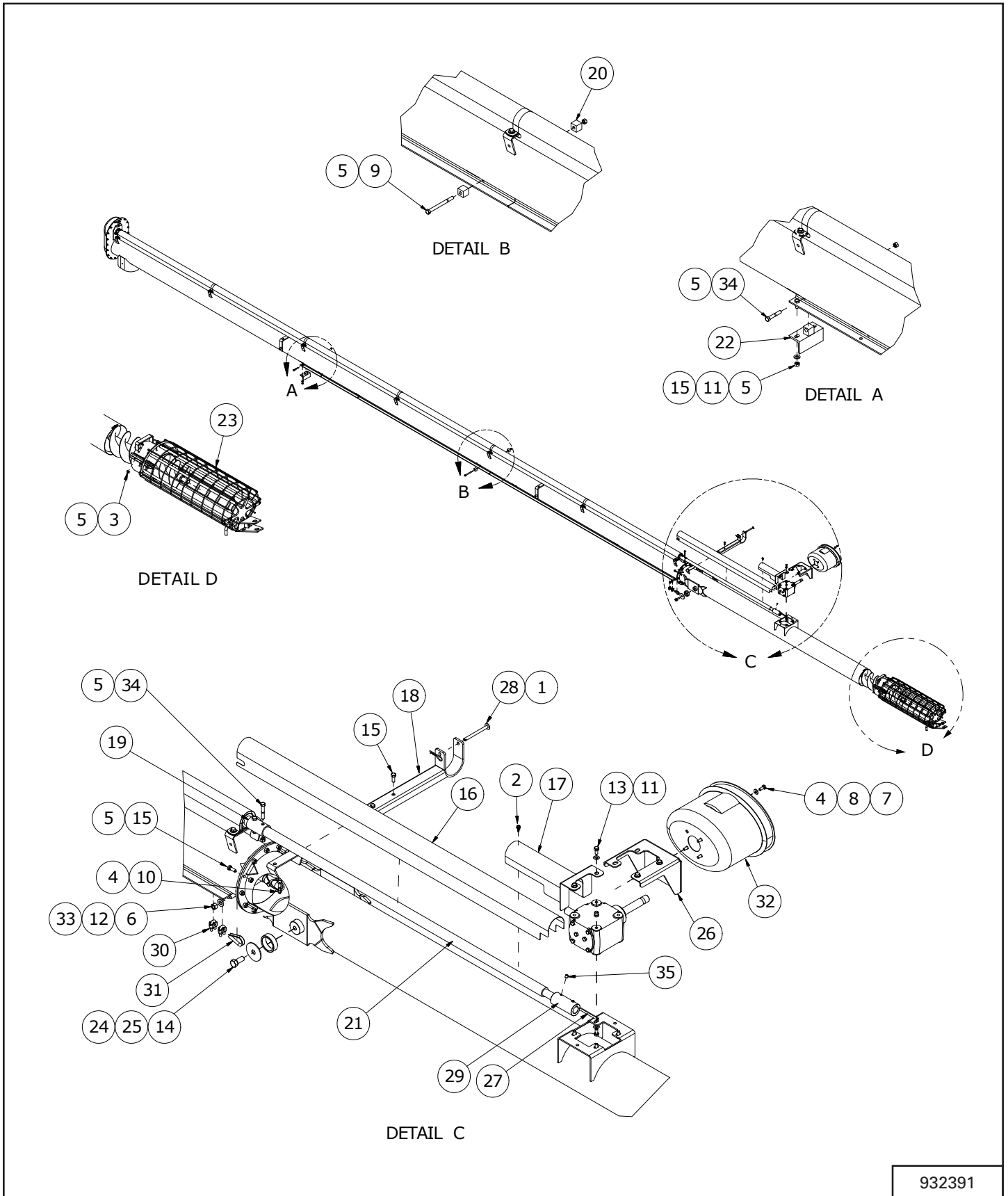
## WHEEL & HUB



914663

ITEM	PART NUMBER	DESCRIPTION	QTY.
1	81834	3/4" SLOTTED HEX NUT	1
2	912435	STUB AXLE WELDT	1
3	968431	HUB CTD H516 COMPLETE ASSY	1
4	9812416	3/4" SAE FLAT WASHER (BR)	1
5	9812486	1/8" X 1-1/2" COTTER PIN (BR)	1
6	968404	1/2" x 1-1/4" WHEEL BOLT GR5 PL	5
7	959202	TIRE - 7.60 X 15 X 6 PLY	1
	913698	TIRE - ST205/75D15	1
	F0110	WHEEL - 15" X 5" X 5 BOLT	1
	913545	WHEEL - GEARED RIM 5 BOLT	1

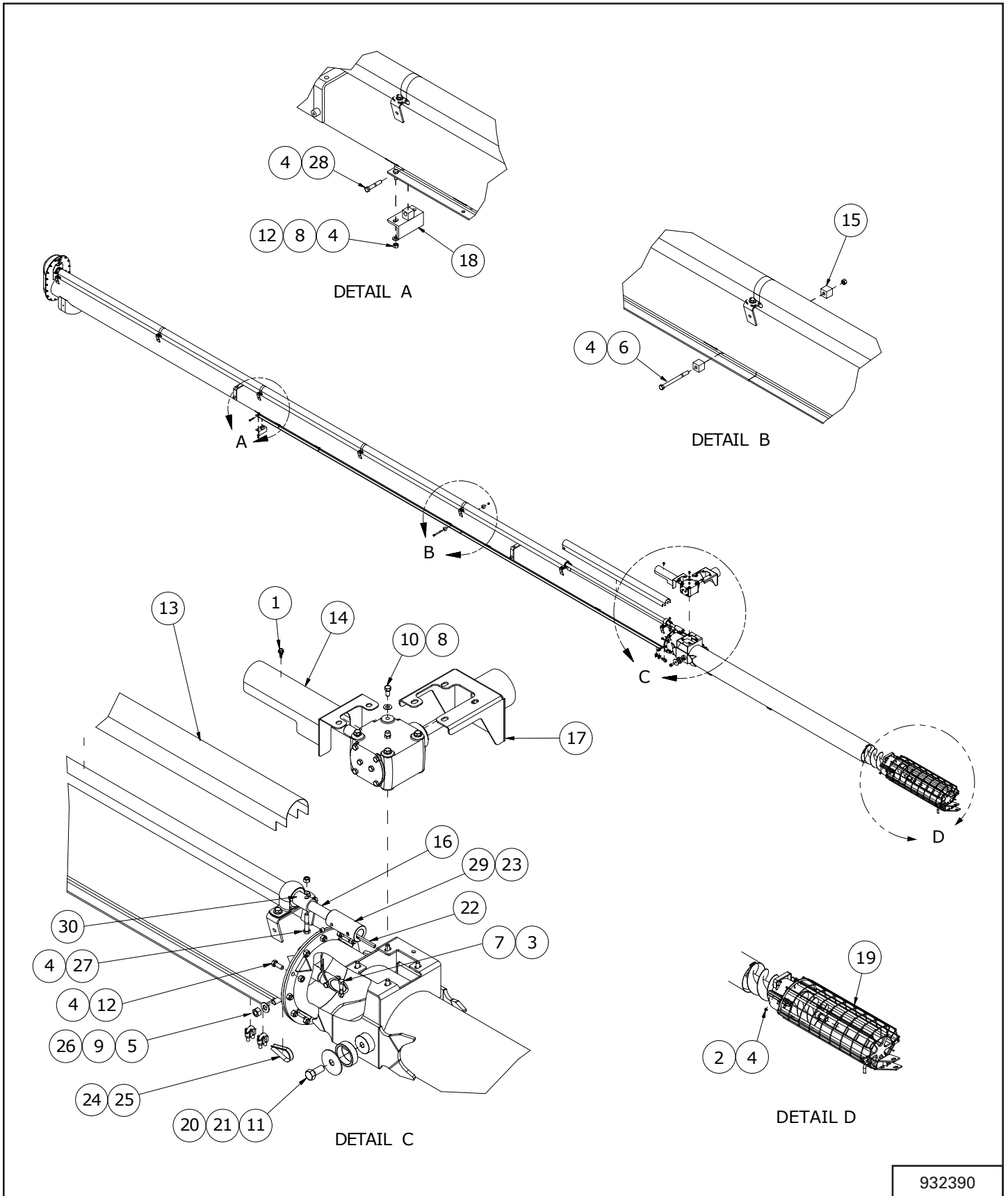
### TUBES - 841 DIRECT DRIVE



932391

ITEM	PART NUMBER	DESCRIPTION	QTY.
1	12780	#7 HAIR PIN CLIP	1
2	81007	SCR HEX SELF DRILLING 1/4" X 3/4"	1
3	811795	3/8" X 2" HEX BOLT (PL)	6
4	812362	5/16" LOCK NUT (PL)	6
5	812363	3/8" LOCK NUT (PL)	24
6	812364	1/2" LOCK NUT (PL)	1
7	81546	5/16" FLAT WASHER (PL)	4
8	81549	5/16" X 3/4" HEX BOLT (PL)	4
9	81588	3/8" X 4 1/2" HEX BOLT (PL)	1
10	81925	HEX BOLT 5/16" X 1 3/4" (PL)	2
11	84039	WASHER - 3/8" SAE FLAT (PL)	10
12	84048	1/2" SAE FLAT WASHER (PL)	1
13	84072	3/8" X 3/4" HEX BOLT (PL)	8
14	84268	5/8" X 1 1/2" HEX BOLT (PL)	2
15	86170	3/8" X 1" HEX BOLT GR.5 (PL)	16
16	912225	DRIVELINE SHIELD	7
17	912296	EXTENSION SHIELD HOLDER WELDT 8"	1
18	912445	PTO HNGR WELDT	1
19	912508	DRIVELINE CPLR	1
20	913369	TRACK STOP	2
21	913454	SHAFT-DRIVE LINE EXT WELDMENT 841D	1
22	915334	ASSY-TRACK STOP	1
23	938110	ASSY-8" INTAKE GUARD	1
24	927194	BUSH-PIVOT	2
25	927195L	SPACER	2
26	930564	BRKT-GUARD PIVOT	1
27	961155	1/4" X 1/4" X 3 1/2" CPLGTUBE KEY	1
28	961539	PTO HLDR PIN WELDT	1
29	961611	GBOX CPLG 3/8" X 01 3/4" X 4"	1
30	961763	5/16" CABLE CLAMP	2
31	964267	3/8" CABLE THIMBLES	1
32	967392	GEARBOX PTO PLASTIC SHIELD	1
33	9812368	1/2" X 2 3/4" GR8 HEX BOLT (PL)	1
34	9812496	3/8 X 2 1/4" HEX BOLT GR.8 (PL)	3
35	988999	3/8"0 X 3/8" SOCKET SET SCREW (BR)	4

# TUBES - 841 BELT DRIVE



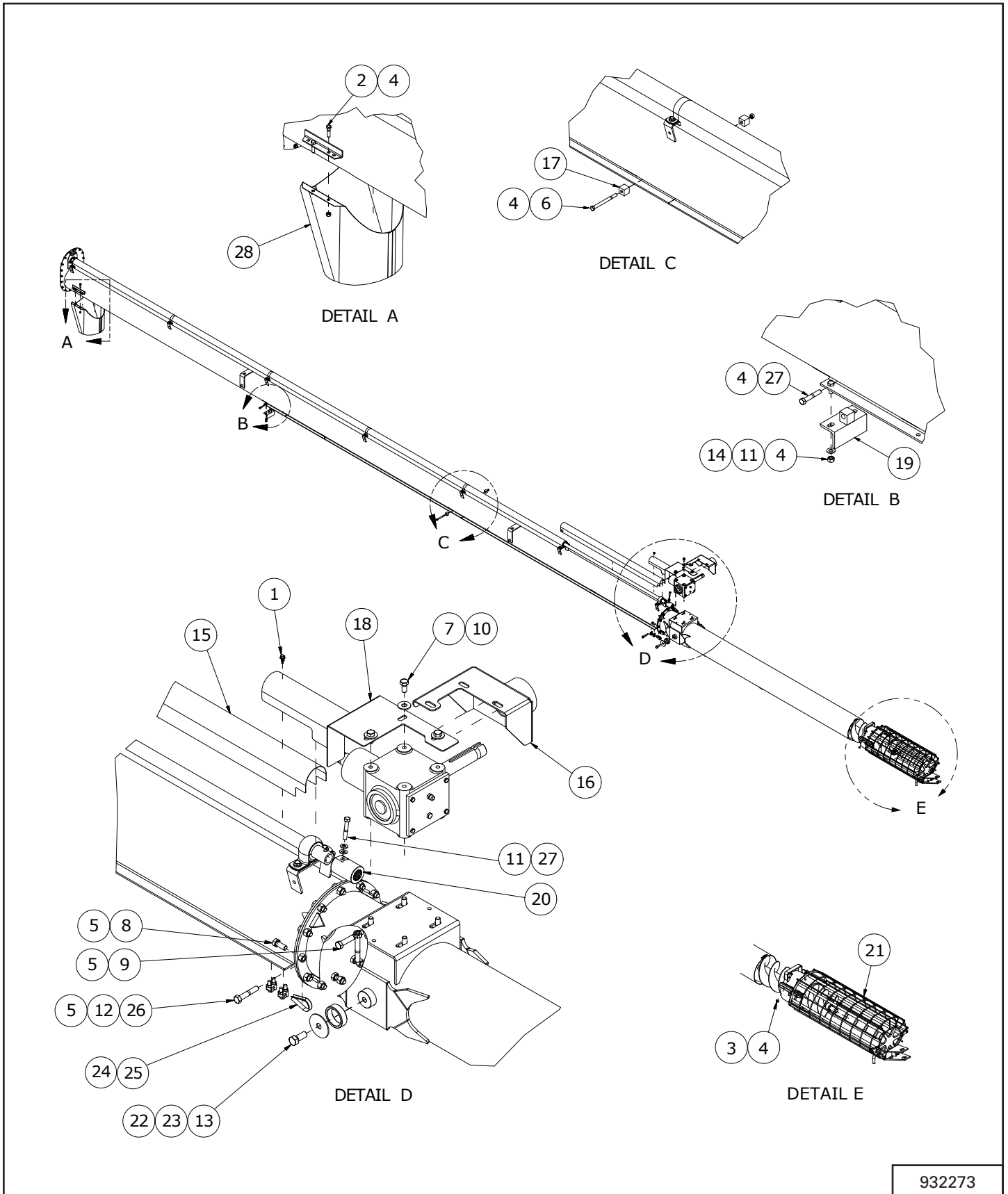


ITEM	PART NUMBER	DESCRIPTION	QTY.
1	81007	SCR HEX SELF DRILLING 1/4" X 3/4"	1
2	811795	3/8" X 2" HEX BOLT (PL)	6
3	812362	5/16" LOCK NUT (PL)	2
4	812363	3/8" LOCK NUT (PL)	23
5	812364	1/2" LOCK NUT (PL)	1
6	81588	3/8" X 4 1/2" HEX BOLT (PL)	1
7	81925	HEX BOLT 5/16" X 1 3/4" (PL)	2
8	84039	WASHER - 3/8" SAE FLAT (PL)	10
9	84048	1/2" SAE FLAT WASHER (PL)	1
10	84072	3/8" X 3/4" HEX BOLT (PL)	8
11	84268	5/8" X 1 1/2" HEX BOLT (PL)	2
12	86170	3/8" X 1" HEX BOLT GR.5 (PL)	14
13	912225	DRIVELINE SHIELD	6
14	912296	EXTENSION SHIELD HOLDER WELDT 8"	1
15	913369	TRACK STOP	2
16	913379	SHAFT,STUB-DRIVE LINE COUPLER	1
17	913433	ASSY-GEARBOX BRACKET	1
18	915334	ASSY-TRACK STOP	1
19	938110	ASSY-8" INTAKE GUARD	1
20	927194	BUSH-PIVOT	2
21	927195L	SPACER	2
22	961155	1/4" X 1/4" X 3 1/2" CPLGTUBE KEY	1
23	961611	GBOX CPLG 3/8" X 01 3/4" X 4"	1
24	961763	5/16" CABLE CLAMP	2
25	964267	3/8" CABLE THIMBLES	1
26	9812368	1/2" X 2 3/4" GR8 HEX BOLT (PL)	1
27	9812483	3/8" X 2" HEX BOLT GR8 (PL)	1
28	9812496	3/8 X 2 1/4" HEX BOLT GR.8 (PL)	1
29	988999	3/8"0 X 3/8" SOCKET SET SCREW (BR)	4



ITEM	PART NUMBER	DESCRIPTION	QTY.
1	12780	#7 HAIR PIN CLIP	1
2	81007	SCR HEX SELF DRILLING 1/4" X 3/4"	1
3	811792	3/8" X 1 1/2" HEX BOLT GR.5 (PL)	4
4	811795	3/8" X 2" HEX BOLT (PL)	6
5	812362	5/16" LOCK NUT (PL)	4
6	812363	3/8" LOCK NUT (PL)	16
7	812364	1/2" LOCK NUT (PL)	15
8	81546	5/16" FLAT WASHER (PL)	4
9	81549	5/16" X 3/4" HEX BOLT (PL)	4
10	81588	3/8" X 4 1/2" HEX BOLT (PL)	1
11	81619	1/2" X 1" HEX BOLT (PL)	7
12	81620	1/2" X 1 1/4" HEX BOLT PL	12
13	81628	1/2" X 3 1/4" HEX BOLT (PL)	2
14	81638	1/2" BS FLAT WASHER (PL)	7
15	84039	WASHER - 3/8" SAE FLAT (PL)	4
16	84048	1/2" SAE FLAT WASHER (PL)	1
17	84268	5/8" X 1 1/2" HEX BOLT (PL)	2
18	86170	3/8" X 1" HEX BOLT GR.5 (PL)	4
19	912225	DRIVELINE SHIELD	7
20	912445	PTO HNGR WELDT	1
21	912508	DRIVELINE CPLR	1
22	912982	DRIVELINE TUBE	1
23	913369	TRACK STOP	2
24	913501	EXTENSION SHIELD HOLDER WELDT 10"	1
25	915334	ASSY-TRACK STOP	1
26	915549	GEARBOX COUPLER	1
27	938104	ASSY-10" INTAKE GUARD	1
28	927194	BUSH-PIVOT	2
29	927195L	SPACER	2
30	930559	BRKT-GUARD PIVOT	1
31	961539	PTO HLDR PIN WELDT	1
32	961763	5/16" CABLE CLAMP	2
33	964267	3/8" CABLE THIMBLES	1
34	967392	GEARBOX PTO PLASTIC SHIELD	1
35	9812368	1/2" X 2 3/4" GR8 HEX BOLT (PL)	1
36	9812496	3/8 X 2 1/4" HEX BOLT GR.8 (PL)	4
37	F9047	DISCHARGE SPOUT	1

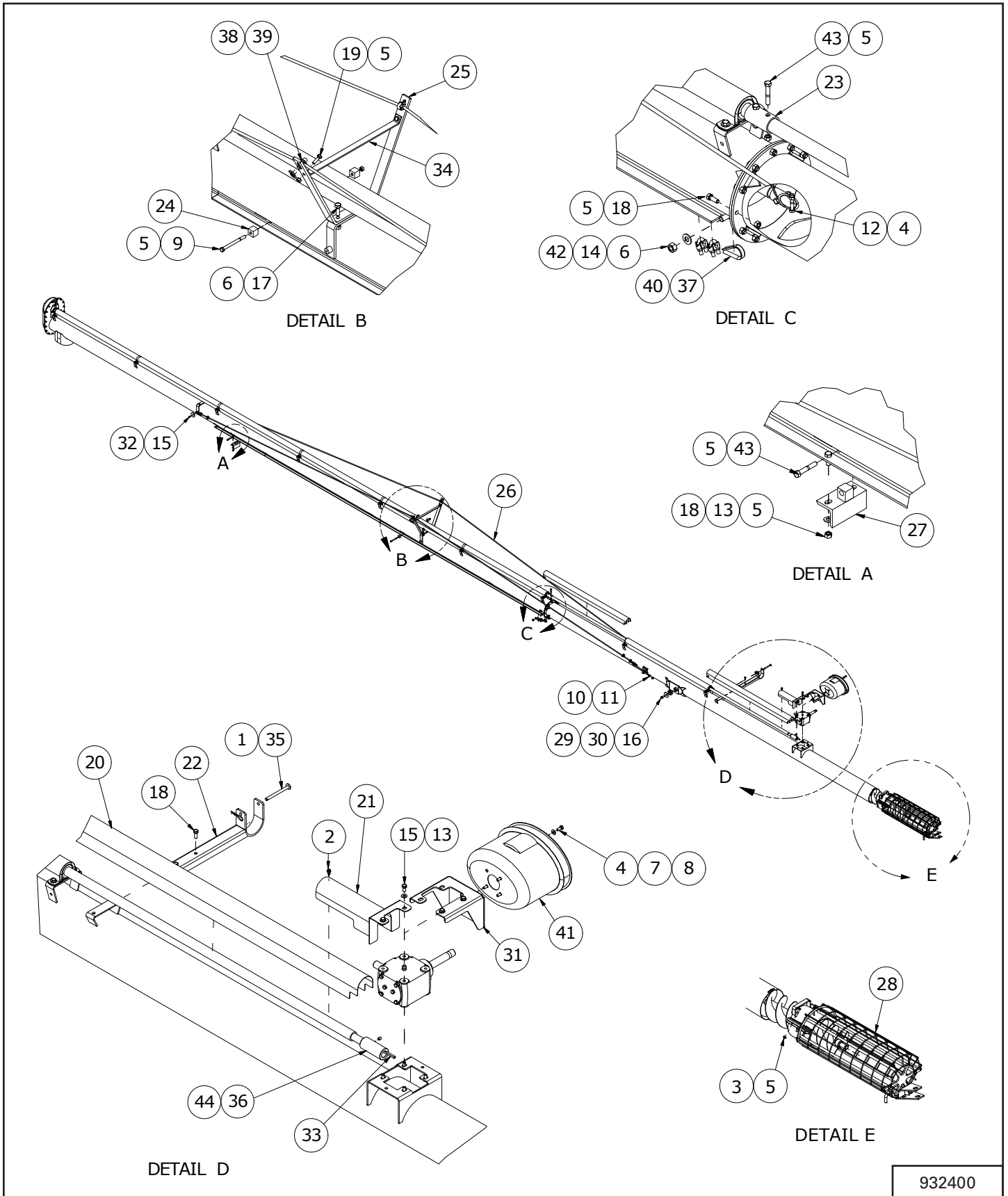
# TUBES - 1041 BELT DRIVE



932273

ITEM	PART NUMBER	DESCRIPTION	QTY.
1	81007	SCR HEX SELF DRILLING 1/4" X 3/4"	1
2	811792	3/8" X 1 1/2" HEX BOLT GR.5 (PL)	4
3	811795	3/8" X 2" HEX BOLT (PL)	6
4	812363	3/8" LOCK NUT (PL)	14
5	812364	1/2" LOCK NUT (PL)	15
6	81588	3/8" X 4 1/2" HEX BOLT (PL)	1
7	81619	1/2" X 1" HEX BOLT (PL)	7
8	81620	1/2" X 1 1/4" HEX BOLT PL	12
9	81628	1/2" X 3 1/4" HEX BOLT (PL)	2
10	81638	1/2" BS FLAT WASHER (PL)	7
11	84039	WASHER - 3/8" SAE FLAT (PL)	4
12	84048	1/2" SAE FLAT WASHER (PL)	1
13	84268	5/8" X 1 1/2" HEX BOLT (PL)	2
14	86170	3/8" X 1" HEX BOLT GR.5 (PL)	2
15	912225	DRIVELINE SHIELD	6
16	912774	ASSY-GEARBOX BRKT 10"	1
17	913369	TRACK STOP	2
18	913501	EXTENSION SHIELD HOLDER WELDT 10"	1
19	915334	ASSY-TRACK STOP	1
20	915549	GEARBOX COUPLER	1
21	938104	ASSY-10" INTAKE GUARD	1
22	927194	BUSH-PIVOT	2
23	927195L	SPACER	2
24	961763	5/16" CABLE CLAMP	2
25	964267	3/8" CABLE THIMBLES	1
26	9812368	1/2" X 2 3/4" GR8 HEX BOLT (PL)	1
27	9812496	3/8 X 2 1/4" HEX BOLT GR.8 (PL)	2
28	F9047	DISCHARGE SPOUT	1

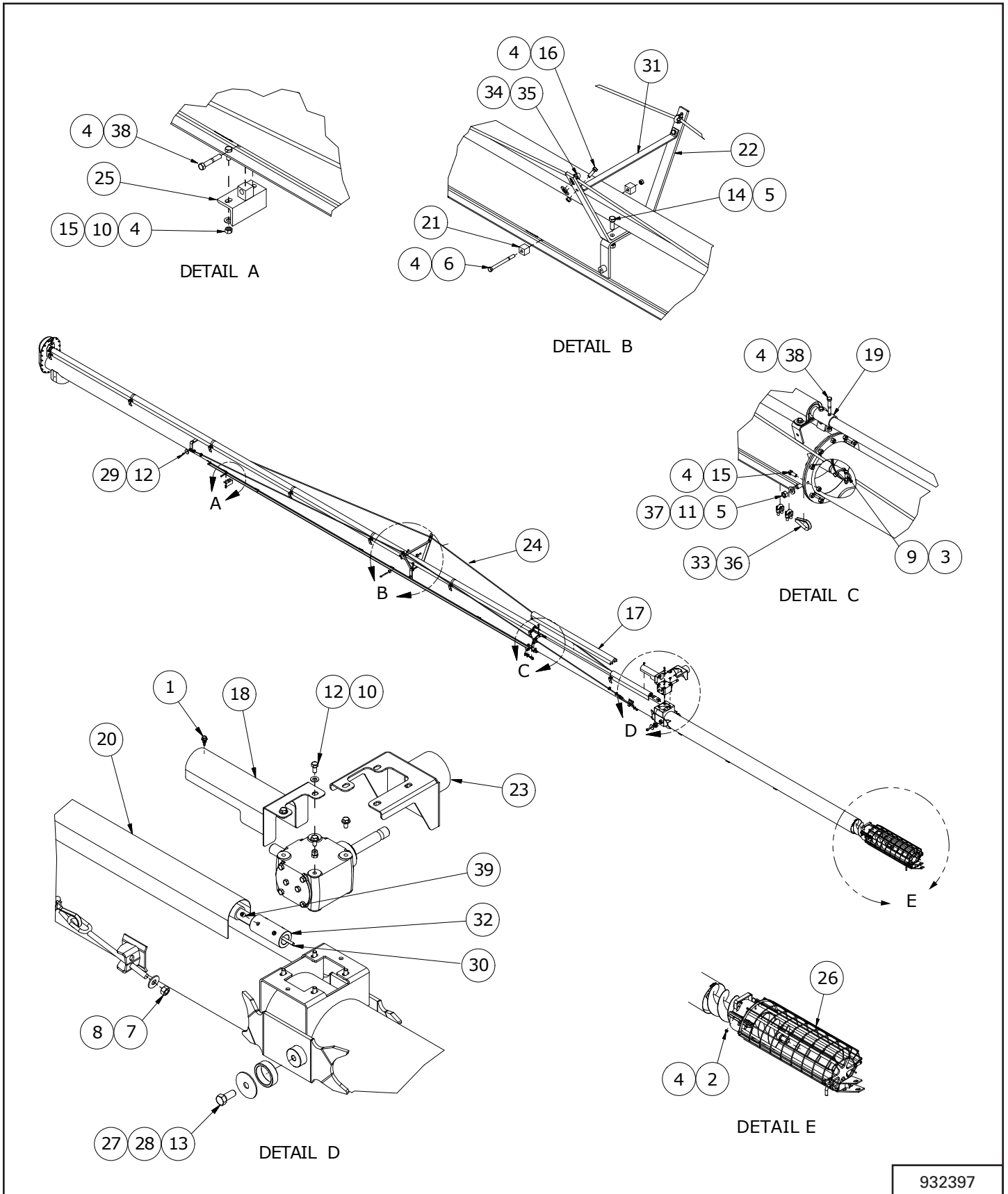
### TUBES - 851 DIRECT DRIVE



932400

ITEM	PART NUMBER	DESCRIPTION	QTY.
1	12780	#7 HAIR PIN CLIP	1
2	81007	SCR HEX SELF DRILLING 1/4" X 3/4"	1
3	811795	3/8" X 2" HEX BOLT (PL)	6
4	812362	5/16" LOCK NUT (PL)	6
5	812363	3/8" LOCK NUT (PL)	26
6	812364	1/2" LOCK NUT (PL)	3
7	81546	5/16" FLAT WASHER (PL)	4
8	81549	5/16" X 3/4" HEX BOLT (PL)	4
9	81588	3/8" X 4 1/2" HEX BOLT (PL)	1
10	81636	1/2" HEX NUT (PL)	2
11	81638	1/2" BS FLAT WASHER (PL)	2
12	81925	HEX BOLT 5/16" X 1 3/4" (PL)	2
13	84039	WASHER - 3/8" SAE FLAT (PL)	10
14	84048	1/2" SAE FLAT WASHER (PL)	1
15	84072	3/8" X 3/4" HEX BOLT (PL)	10
16	84268	5/8" X 1 1/2" HEX BOLT (PL)	2
17	84277	1/2" X 1 1/2" HEX BOLT (PL)	2
18	86170	3/8" X 1" HEX BOLT GR.5 (PL)	16
19	86171	3/8" X 1 1/4" HEX BOLT (PL)	2
20	912225	DRIVELINE SHIELD	9
21	912296	EXTENSION SHIELD HOLDER WELDT 8"	1
22	912445	PTO HNGR WELDT	1
23	912508	DRIVELINE CPLR	1
24	913369	TRACK STOP	2
25	913428	BRIDGING BRACKET	1
26	913824	ASSY-CABLE BRIDGING 51'	2
27	915334	ASSY-TRACK STOP	1
28	938110	ASSY-8" INTAKE GUARD	1
29	927194	BUSH-PIVOT	2
30	927195L	SPACER	2
31	930564	BRKT-GUARD PIVOT	1
32	960495	INPUT BOX RING CLAMP 13/32"ID X 2 13/32"OD X 1/4"	2
33	961155	1/4" X 1/4" X 3 1/2" CPLGTUBE KEY	1
34	961532	3/16" X 1" X 20" BDGING BRACE	1
35	961539	PTO HLDR PIN WELDT	1
36	961611	GBOX CPLG 3/8" X 01 3/4" X 4"	1
37	961763	5/16" CABLE CLAMP	2
38	964001	1" X 7/16" X 10GA FLAT WASHER (PL)	4
39	964264	3/8" CABLE CLAMP	2
40	964267	3/8" CABLE THIMBLES	1
41	967392	GEARBOX PTO PLASTIC SHIELD	1
42	9812368	1/2" X 2 3/4" GR8 HEX BOLT (PL)	1
43	9812496	3/8 X 2 1/4" HEX BOLT GR.8 (PL)	3
44	988999	3/8"0 X 3/8" SOCKET SET SCREW (BR)	4

# TUBES - 851 BELT DRIVE



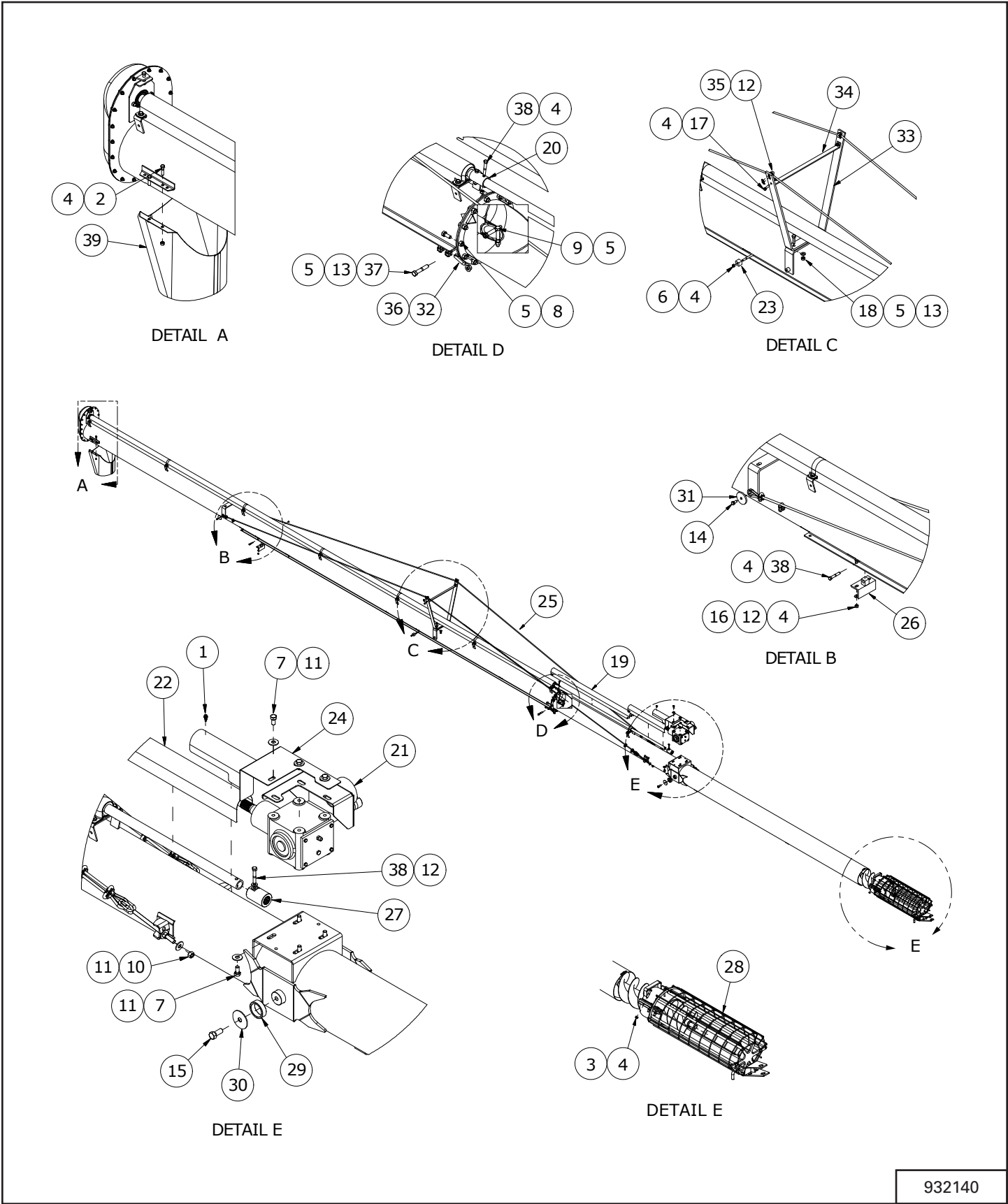


ITEM	PART NUMBER	DESCRIPTION	QTY.
1	81007	SCR HEX SELF DRILLING 1/4" X 3/4"	1
2	811795	3/8" X 2" HEX BOLT (PL)	6
3	812362	5/16" LOCK NUT (PL)	2
4	812363	3/8" LOCK NUT (PL)	26
5	812364	1/2" LOCK NUT (PL)	3
6	81588	3/8" X 4 1/2" HEX BOLT (PL)	1
7	81636	1/2" HEX NUT (PL)	2
8	81638	1/2" BS FLAT WASHER (PL)	2
9	81925	HEX BOLT 5/16" X 1 3/4" (PL)	2
10	84039	WASHER - 3/8" SAE FLAT (PL)	10
11	84048	1/2" SAE FLAT WASHER (PL)	1
12	84072	3/8" X 3/4" HEX BOLT (PL)	10
13	84268	5/8" X 1 1/2" HEX BOLT (PL)	2
14	84277	1/2" X 1 1/2" HEX BOLT (PL)	2
15	86170	3/8" X 1" HEX BOLT GR.5 (PL)	14
16	86171	3/8" X 1 1/4" HEX BOLT (PL)	2
17	912225	DRIVELINE SHIELD	7
18	912296	EXTENSION SHIELD HOLDER WELDT 8"	1
19	912508	DRIVELINE CPLR	1
20	913334	DRIVELINE SHIELD EXT	1
21	913369	TRACK STOP	2
22	913428	BRIDGING BRACKET	1
23	913433	ASSY-GEARBOX BRACKET	1
24	913824	ASSY-CABLE BRIDGING 51'	2
25	915334	ASSY-TRACK STOP	1
26	938110	ASSY-8" INTAKE GUARD	1
27	927194	BUSH-PIVOT	2
28	927195L	SPACER	2
29	960495	INPUT BOX RING CLAMP 13/32"ID X 2 13/32"OD X 1/4"	2
30	961155	1/4" X 1/4" X 3 1/2" CPLG TUBE KEY	1
31	961532	3/16" X 1" X 20" BDGING BRACE	1
32	961611	GBOX CPLG 3/8" X 01 3/4" X 4"	1
33	961763	5/16" CABLE CLAMP	2
34	964001	1" X 7/16" X 10GA FLAT WASHER (PL)	4
35	964264	3/8" CABLE CLAMP	2
36	964267	3/8" CABLE THIMBLES	1
37	9812368	1/2" X 2 3/4" GR8 HEX BOLT (PL)	1
38	9812496	3/8 X 2 1/4" HEX BOLT GR.8 (PL)	3
39	988999	3/8"0 X 3/8" SOCKET SET SCREW (BR)	4



ITEM	PART NUMBER	DESCRIPTION	QTY.
1	12780	#7 HAIR PIN CLIP	1
2	81007	SCR HEX SELF DRILLING 1/4" X 3/4"	1
3	811792	3/8" X 1 1/2" HEX BOLT GR.5 (PL)	4
4	811795	3/8" X 2" HEX BOLT (PL)	6
5	812362	5/16" LOCK NUT (PL)	4
6	812363	3/8" LOCK NUT (PL)	18
7	812364	1/2" LOCK NUT (PL)	17
8	81546	5/16" FLAT WASHER (PL)	4
9	81549	5/16" X 3/4" HEX BOLT (PL)	4
10	81588	3/8" X 4 1/2" HEX BOLT (PL)	1
11	81619	1/2" X 1" HEX BOLT (PL)	7
12	81620	1/2" X 1 1/4" HEX BOLT PL	12
13	81628	1/2" X 3 1/4" HEX BOLT (PL)	2
14	81636	1/2" HEX NUT (PL)	2
15	81638	1/2" BS FLAT WASHER (PL)	9
16	84039	WASHER - 3/8" SAE FLAT (PL)	8
17	84048	1/2" SAE FLAT WASHER (PL)	3
18	84072	3/8" X 3/4" HEX BOLT (PL)	2
19	84268	5/8" X 1 1/2" HEX BOLT (PL)	2
20	86170	3/8" X 1" HEX BOLT GR.5 (PL)	4
21	86171	3/8" X 1 1/4" HEX BOLT (PL)	2
22	87553	1/2" X 1.75" HEX BOLT UNC GR5 (PL)	2
23	912225	DRIVELINE SHIELD	9
24	912445	PTO HNGR WELDT	1
25	912508	DRIVELINE CPLR	1
26	913369	TRACK STOP	2
27	913501	EXTENSION SHIELD HOLDER WELDT 10"	1
28	913824	ASSY-CABLE BRIDGING 51'	2
29	915334	ASSY-TRACK STOP	1
30	915549	GEARBOX COUPLER	1
31	938104	ASSY-10" INTAKE GUARD	1
32	927194	BUSH-PIVOT	2
33	927195L	SPACER	2
34	930559	BRKT-GUARD PIVOT	1
35	960495	INPUT BOX RING CLAMP 13/32"ID X 2 13/32"OD X 1/4"	2
36	961539	PTO HLDR PIN WELDT	1
37	961763	5/16" CABLE CLAMP	2
38	962013	BRIDGING YOKE	1
39	962014	1/4" X 1" X 23" BDGINGTIE BAR	1
40	964264	3/8" CABLE CLAMP	2
41	964267	3/8" CABLE THIMBLES	1
42	967392	GEARBOX PTO PLASTIC SHIELD	1
43	9812368	1/2" X 2 3/4" GR8 HEX BOLT (PL)	1
44	9812496	3/8 X 2 1/4" HEX BOLT GR.8 (PL)	4
45	F9047	DISCHARGE SPOUT	1

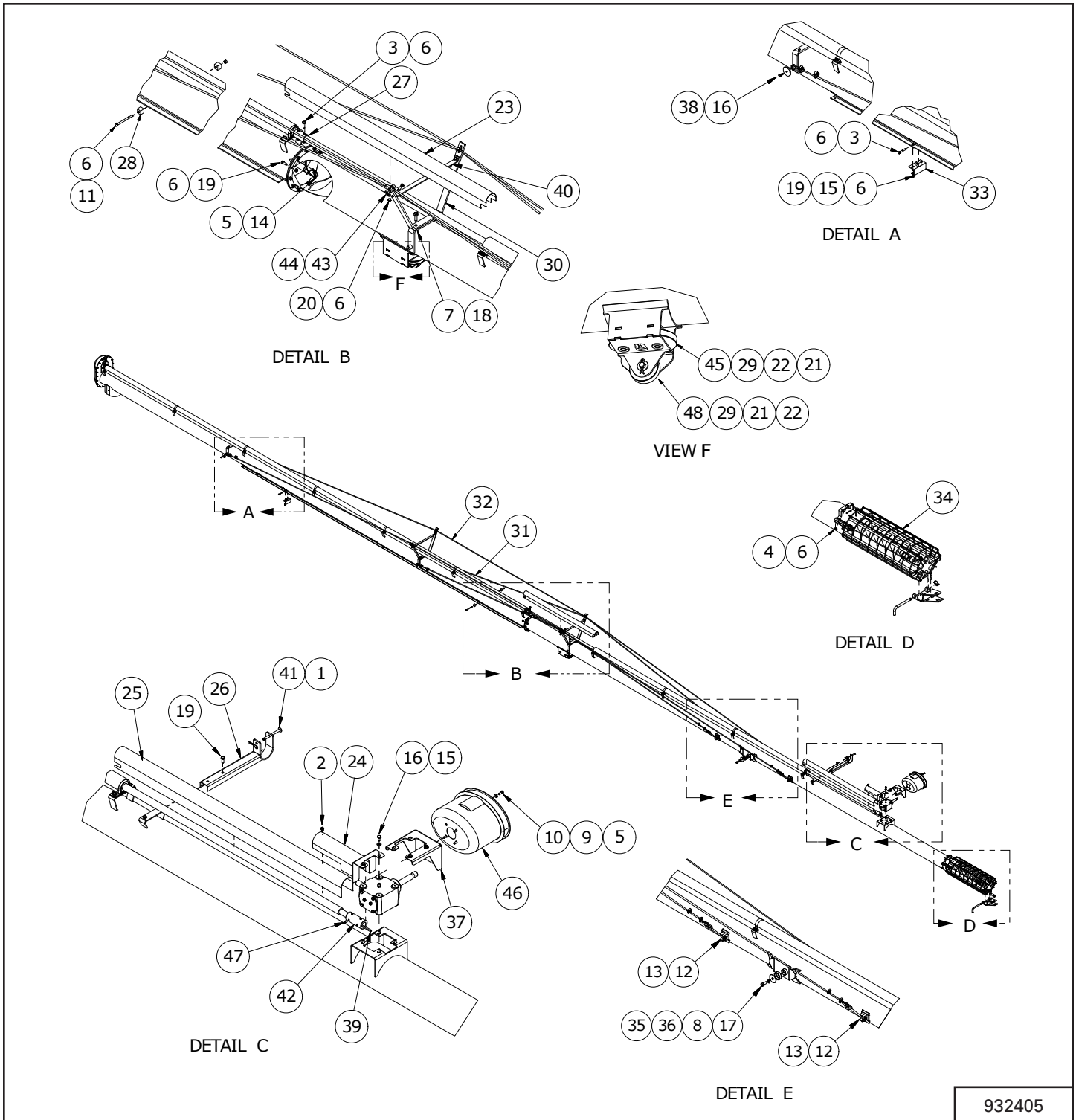
# TUBES - 1051 BELT DRIVE



932140

ITEM	PART NUMBER	DESCRIPTION	QTY.
1	81007	SCR HEX SELF DRILLING 1/4" X 3/4"	1
2	811792	3/8" X 1 1/2" HEX BOLT GR.5 (PL)	4
3	811795	3/8" X 2" HEX BOLT (PL)	6
4	812363	3/8" LOCK NUT (PL)	18
5	812364	1/2" LOCK NUT (PL)	17
6	81588	3/8" X 4 1/2" HEX BOLT (PL)	1
7	81619	1/2" X 1" HEX BOLT (PL)	7
8	81620	1/2" X 1 1/4" HEX BOLT PL	12
9	81628	1/2" X 3 1/4" HEX BOLT (PL)	2
10	81636	1/2" HEX NUT (PL)	2
11	81638	1/2" BS FLAT WASHER (PL)	9
12	84039	WASHER - 3/8" SAE FLAT (PL)	8
13	84048	1/2" SAE FLAT WASHER (PL)	3
14	84072	3/8" X 3/4" HEX BOLT (PL)	2
15	84268	5/8" X 1 1/2" HEX BOLT (PL)	2
16	86170	3/8" X 1" HEX BOLT GR.5 (PL)	2
17	86171	3/8" X 1 1/4" HEX BOLT (PL)	2
18	87553	1/2" X 1.75" HEX BOLT UNC GR5 (PL)	2
19	912225	DRIVELINE SHIELD	7
20	912508	DRIVELINE CPLR	1
21	912774	ASSY-GEARBOX BRKT 10"	1
22	913334	DRIVELINE SHIELD EXT	1
23	913369	TRACK STOP	2
24	913501	EXTENSION SHIELD HOLDER WELDT 10"	1
25	913824	ASSY-CABLE BRIDGING 51'	2
26	915334	ASSY-TRACK STOP	1
27	915549	GEARBOX COUPLER	1
28	938104	ASSY-10" INTAKE GUARD	1
29	927194	BUSH-PIVOT	2
30	927195L	SPACER	2
31	960495	INPUT BOX RING CLAMP 13/32"ID X 2 13/32"OD X 1/4"	2
32	961763	5/16" CABLE CLAMP	2
33	962013	BRIDGING YOKE	1
34	962014	1/4" X 1" X 23" BDGING TIE BAR	1
35	964264	3/8" CABLE CLAMP	2
36	964267	3/8" CABLE THIMBLES	1
37	9812368	1/2" X 2 3/4" GR8 HEX BOLT (PL)	1
38	9812496	3/8 X 2 1/4" HEX BOLT GR.8 (PL)	4
39	F9047	DISCHARGE SPOUT	1

**TUBES - 861 DIRECT DRIVE**

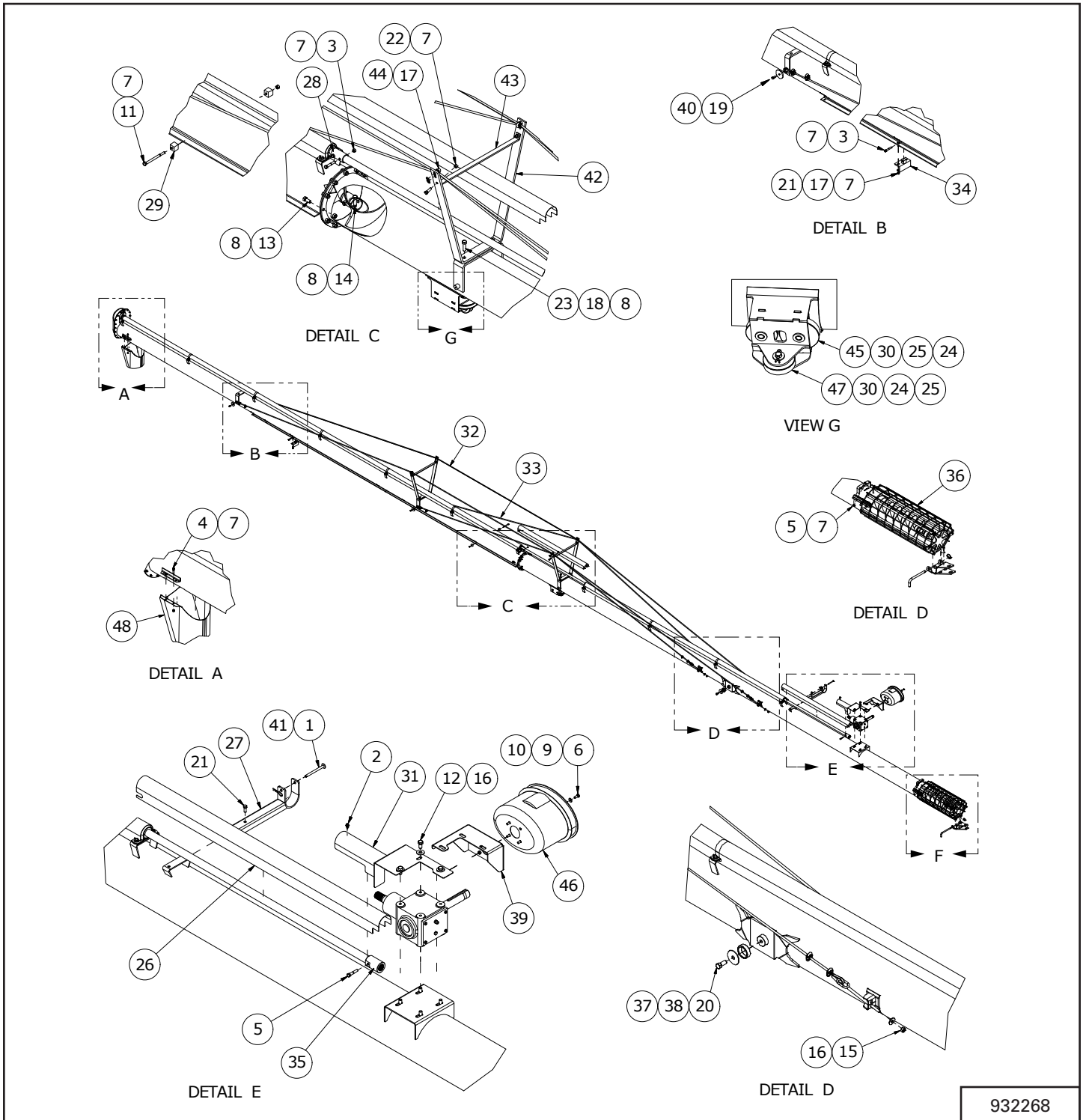


932405

ITEM	PART NUMBER	DESCRIPTION	QTY.
1	12780	#7 HAIR PIN CLIP	1
2	81007	SCR HEX SELF DRILLING 1/4" X 3/4"	1
3	810958	3/8" X 2 1/4" HEX BOLT (PL)	3
4	811795	3/8" X 2" HEX BOLT (PL)	6

ITEM	PART NUMBER	DESCRIPTION	QTY.
5	812362	5/16" LOCK NUT (PL)	6
6	812363	3/8" LOCK NUT (PL)	28
7	812364	1/2" LOCK NUT (PL)	4
8	812639	WASHER 0.625 SAE FLAT BS PL	2
9	81546	5/16" FLAT WASHER (PL)	4
10	81549	5/16" X 3/4" HEX BOLT (PL)	4
11	81588	3/8" X 4 1/2" HEX BOLT (PL)	1
12	81636	1/2" HEX NUT (PL)	4
13	81638	1/2" BS FLAT WASHER (PL)	4
14	81925	HEX BOLT 5/16" X 1 3/4" (PL)	2
15	84039	WASHER - 3/8" SAE FLAT (PL)	10
16	84072	3/8" X 3/4" HEX BOLT (PL)	12
17	84268	5/8" X 1 1/2" HEX BOLT (PL)	2
18	84277	1/2" X 1 1/2" HEX BOLT (PL)	4
19	86170	3/8" X 1" HEX BOLT GR.5 (PL)	16
20	86171	3/8" X 1 1/4" HEX BOLT (PL)	4
21	84050	3/4" S.A.E. FLAT WASHER (PL)	3
22	9812434	1/4" X 1 1/2" COTTER PIN (PL)	3
23	912225	DRIVELINE SHIELD	10
24	912296	EXTENSION SHIELD HOLDER WELDT 8"	1
25	912307	DRIVELINE SHIELD	1
26	912445	PTO HNGR WELDT	1
27	912508	DRIVELINE CPLR	1
28	913369	TRACK STOP	2
29	913702	PIN WELDT 0.750" DIA	3
30	913428	BRIDGING BRACKET	2
31	913825	ASSY-CABLE BRIDGING SHORT 61'	2
32	913826	ASSY-CABLE BRIDGING LONG 61'	2
33	915334	ASSY-TRACK STOP	1
34	938110	ASSY-8" INTAKE GUARD	1
35	927194	BUSH-PIVOT	2
36	927195L	SPACER	2
37	930564	BRKT-GUARD PIVOT	1
38	960495	INPUT BOX RING CLAMP 13/32"ID X 2 13/32"OD X 1/4"	4
39	961155	1/4" X 1/4" X 3 1/2" CPLG TUBE KEY	1
40	961532	3/16" X 1" X 20" BDGING BRACE	2
41	961539	PTO HLDR PIN WELDT	1
42	961611	GBOX CPLG 3/8" X 01 3/4" X 4"	1
43	964001	1" X 7/16" X 10GA FLAT WASHER (PL)	8
44	964264	3/8" CABLE CLAMP	4
45	913668	ASSY-PULLEY CABLE 5" OD X .75" BORE	1
46	967392	GEARBOX PTO PLASTIC SHIELD	1
47	988999	3/8"0 X 3/8" SOCKET SET SCREW (BR)	4
48	965907	PULLEY-CABLE 4" OD X .75" BORE	2

**TUBES - 1061 DIRECT DRIVE**

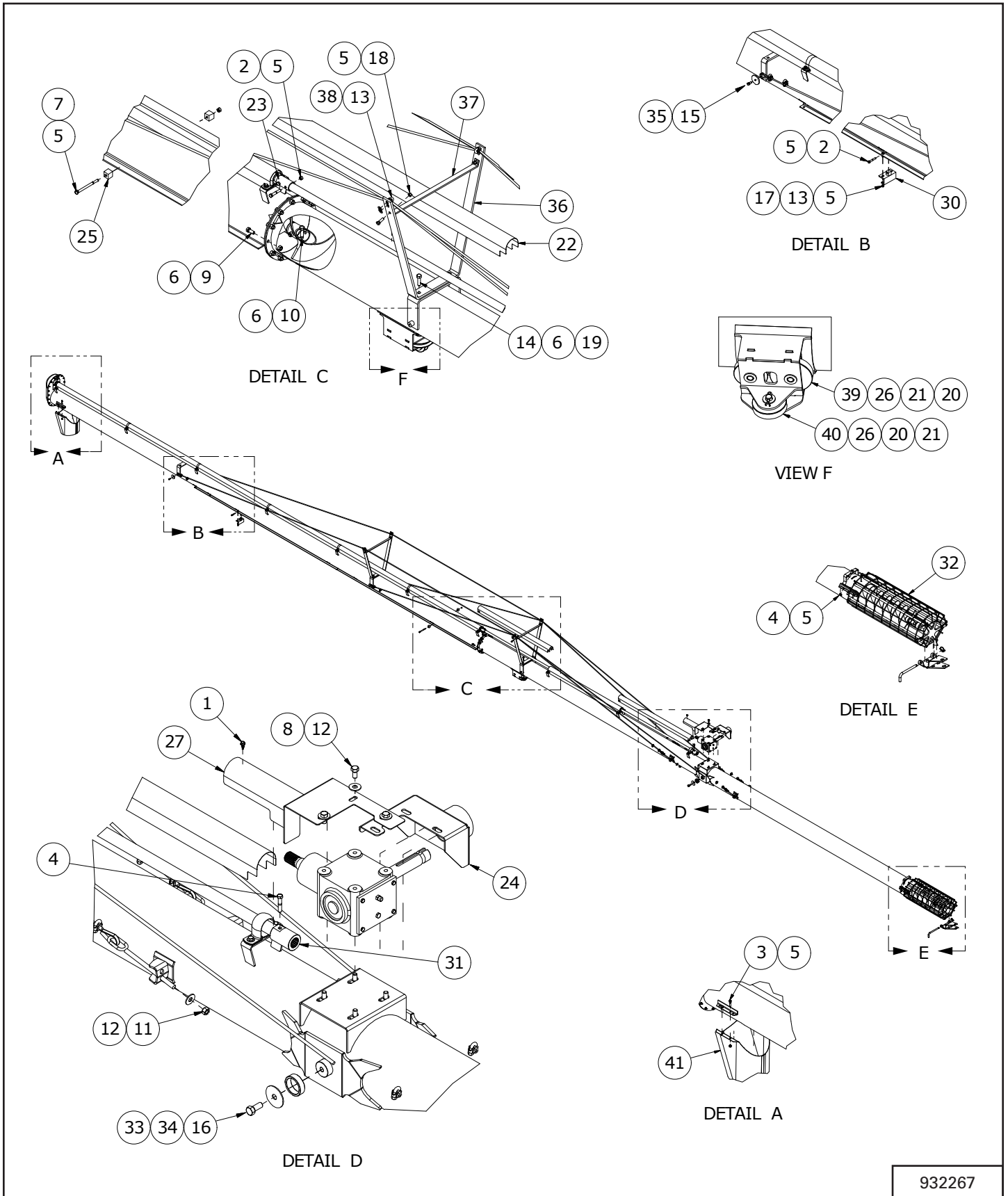


ITEM	PART NUMBER	DESCRIPTION	QTY.
1	12780	#7 HAIR PIN CLIP	1
2	81007	SCR HEX SELF DRILLING 1/4" X 3/4"	1
3	810958	3/8" X 2 1/4" HEX BOLT (PL)	3
4	811792	3/8" X 1 1/2" HEX BOLT GR.5 (PL)	4



ITEM	PART NUMBER	DESCRIPTION	QTY.
5	811795	3/8" X 2" HEX BOLT (PL)	7
6	812362	5/16" LOCK NUT (PL)	4
7	812363	3/8" LOCK NUT (PL)	20
8	812364	1/2" LOCK NUT (PL)	18
9	81546	5/16" FLAT WASHER (PL)	4
10	81549	5/16" X 3/4" HEX BOLT (PL)	4
11	81588	3/8" X 4 1/2" HEX BOLT (PL)	1
12	81619	1/2" X 1" HEX BOLT (PL)	7
13	81620	1/2" X 1 1/4" HEX BOLT PL	12
14	81627	1/2" X 3" HEX BOLT (PL)	2
15	81636	1/2" HEX NUT (PL)	4
16	81638	1/2" BS FLAT WASHER (PL)	11
17	84039	WASHER - 3/8" SAE FLAT (PL)	10
18	84048	1/2" SAE FLAT WASHER (PL)	4
19	84072	3/8" X 3/4" HEX BOLT (PL)	4
20	84268	5/8" X 1 1/2" HEX BOLT (PL)	2
21	86170	3/8" X 1" HEX BOLT GR.5 (PL)	4
22	86171	3/8" X 1 1/4" HEX BOLT (PL)	4
23	87553	1/2" X 1.75" HEX BOLT UNC GR5 (PL)	4
24	84050	3/4" S.A.E. FLAT WASHER (PL)	3
25	9812434	1/4" X 1 1/2" COTTER PIN (PL)	3
26	912225	DRIVELINE SHIELD	11
27	912445	PTO HNGR WELDT	1
28	912508	DRIVELINE CPLR	1
29	913369	TRACK STOP	2
30	913702	PIN WELDT 0.750" DIA	3
31	913501	EXTENSION SHIELD HOLDER WELDT 10"	1
32	913825	ASSY-CABLE BRIDGING SHORT 61'	2
33	913826	ASSY-CABLE BRIDGING LONG 61'	2
34	915334	ASSY-TRACK STOP	1
35	915549	GEARBOX COUPLER	1
36	938104	ASSY-10" INTAKE GUARD	1
37	927194	BUSH-PIVOT	2
38	927195L	SPACER	2
39	930559	BRKT-GUARD PIVOT	1
40	960495	INPUT BOX RING CLAMP 13/32"ID X 2 13/32"OD X 1/4"	4
41	961539	PTO HLDR PIN WELDT	1
42	962013	BRIDGING YOKE	2
43	962014	1/4" X 1" X 23" BDGINGTIE BAR	2
44	964264	3/8" CABLE CLAMP	4
45	913668	ASSY-PULLEY CABLE 5" OD X .75" BORE	1
46	967392	GEARBOX PTO PLASTIC SHIELD	1
47	965907	PULLEY-CABLE 4" OD X .75" BORE	2
48	F9047	DISCHARGE SPOUT	1

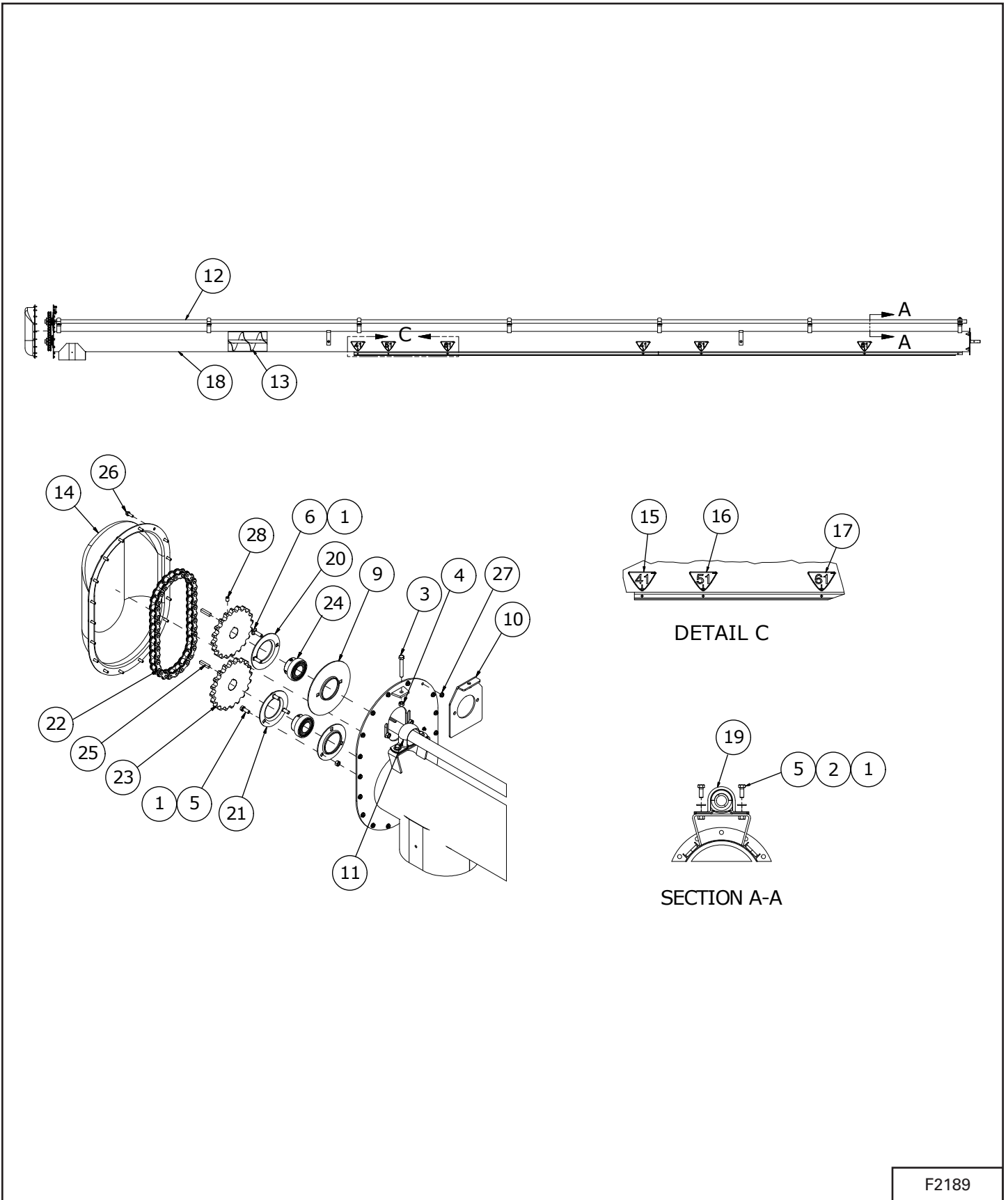
### TUBES - 1061 BELT DRIVE



932267

ITEM	PART NUMBER	DESCRIPTION	QTY.
1	81007	SCR HEX SELF DRILLING 1/4" X 3/4"	1
2	810958	3/8" X 2 1/4" HEX BOLT (PL)	3
3	811792	3/8" X 1 1/2" HEX BOLT GR.5 (PL)	4
4	811795	3/8" X 2" HEX BOLT (PL)	7
5	812363	3/8" LOCK NUT (PL)	20
6	812364	1/2" LOCK NUT (PL)	18
7	81588	3/8" X 4 1/2" HEX BOLT (PL)	1
8	81619	1/2" X 1" HEX BOLT (PL)	7
9	81620	1/2" X 1 1/4" HEX BOLT PL	12
10	81627	1/2" X 3" HEX BOLT (PL)	2
11	81636	1/2" HEX NUT (PL)	4
12	81638	1/2" BS FLAT WASHER (PL)	11
13	84039	WASHER - 3/8" SAE FLAT (PL)	10
14	84048	1/2" SAE FLAT WASHER (PL)	4
15	84072	3/8" X 3/4" HEX BOLT (PL)	4
16	84268	5/8" X 1 1/2" HEX BOLT (PL)	2
17	86170	3/8" X 1" HEX BOLT GR.5 (PL)	2
18	86171	3/8" X 1 1/4" HEX BOLT (PL)	4
19	87553	1/2" X 1.75" HEX BOLT UNC GR5 (PL)	4
20	84050	3/4" S.A.E. FLAT WASHER (PL)	3
21	9812434	1/4" X 1 1/2" COTTER PIN (PL)	3
22	912225	DRIVELINE SHIELD	9
23	912508	DRIVELINE CPLR	1
24	912774	ASSY-GEARBOX BRKT 10"	1
25	913369	TRACK STOP	2
26	913702	PIN WELDT 0.750" DIA	3
27	913501	EXTENSION SHIELD HOLDER WELDT 10"	1
28	913825	ASSY-CABLE BRIDGING SHORT 61'	2
29	913826	ASSY-CABLE BRIDGING LONG 61'	2
30	915334	ASSY-TRACK STOP	1
31	915549	GEARBOX COUPLER	1
32	938104	ASSY-10" INTAKE GUARD	1
33	927194	BUSH-PIVOT	2
34	927195L	SPACER	2
35	960495	INPUT BOX RING CLAMP 13/32"ID X 2 13/32"OD X 1/4"	4
36	962013	BRIDGING YOKE	2
37	962014	1/4" X 1" X 23" BDGINGTIE BAR	2
38	964264	3/8" CABLE CLAMP	4
39	913668	ASSY- PULLEY CABLE 5" OD X .75" BORE	1
40	965907	PULLEY-CABLE 4" OD X .75" BORE	2
41	F9047	DISCHARGE SPOUT	1

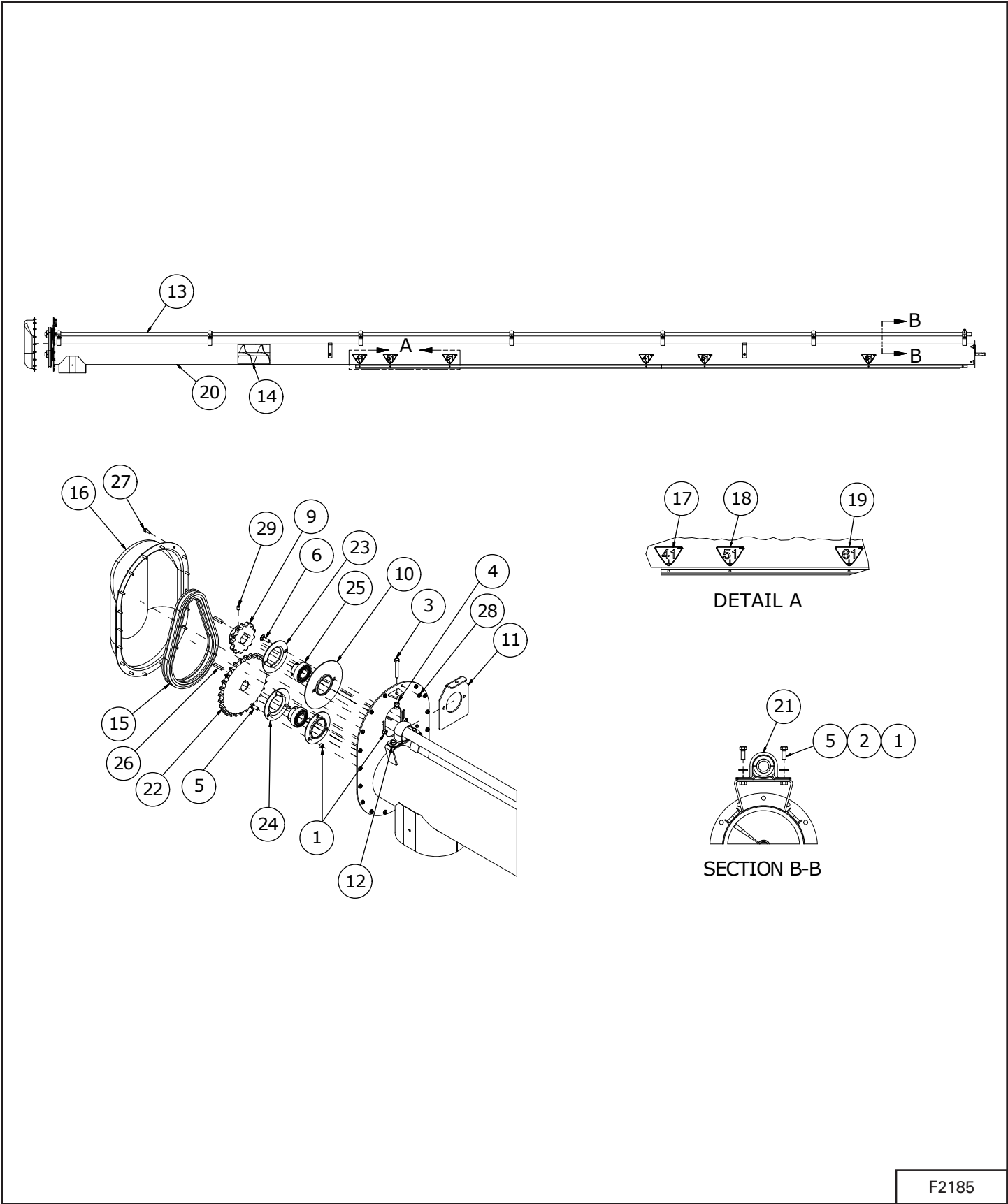
### TOP SECTION - 841, 851, 861 DIRECT DRIVE



F2189

ITEM	PART NUMBER	DESCRIPTION	QTY.
1	812363	3/8" LOCK NUT (PL)	19
2	81570	3/8" STD FLATWASH (PL)	14
3	81582	BOLT, FULL 3/8" X 2-3/4" HEX GR.5 (PL)	1
4	81592	3/8" HEX NUT (PL)	1
5	86170	3/8" X 1" HEX BOLT GR.5 (PL)	17
6	86182	3/8 X 1-1/4 CARRIAGE BOLT (PL)	2
7	904902	GREASE GRADE 2	1
8	907388	SILAPRENE (300ML TUBE)	1
9	912280	2-HOLE 1 3/8" BRG FLG	1
10	912282	CHAIN TIGHTNR BRKT WELDT	1
11	912292	STEEL FLANGE (WOODEN BEARING 1 3/8")	1
12	912484	DRIVELINE WELDT - TOP SECT	1
13	912934	TOP SECTION FLIGHTING WELDT 8"	1
14	913731	TOP END COVER (STEEL)	1
15	917475	DECAL-TRACK STOP 41'	2
16	917476	DECAL-TRACK STOP 51'	2
17	917477	DECAL-TRACK STOP 61'	2
18	927249	TOP SECT WELDT 8"	1
19	960789	WOODEN BEARING (Ø1 3/8")	6
20	961091	2-HOLE 1 3/8" BRG FLANGE	1
21	961675	BEARING FLANGE 72MS	2
22	961997	#80 CHAIN (36 LINK)	1
23	961998	20T SPRKT #80 (1-3/8" BORE)	2
24	965917	1-3/8" BEARING	2
25	967041	5/16" X 5/16" X 1 1/2" SPRKT KEY	2
26	967473	1/4" X 3/4" FLANGE BOLT (PL)	18
27	967474	1/4" FLANGE HEX NUT (PL)	18
28	985639	3/8" X 1/2" SOCKET SET SCREW (BR)	4

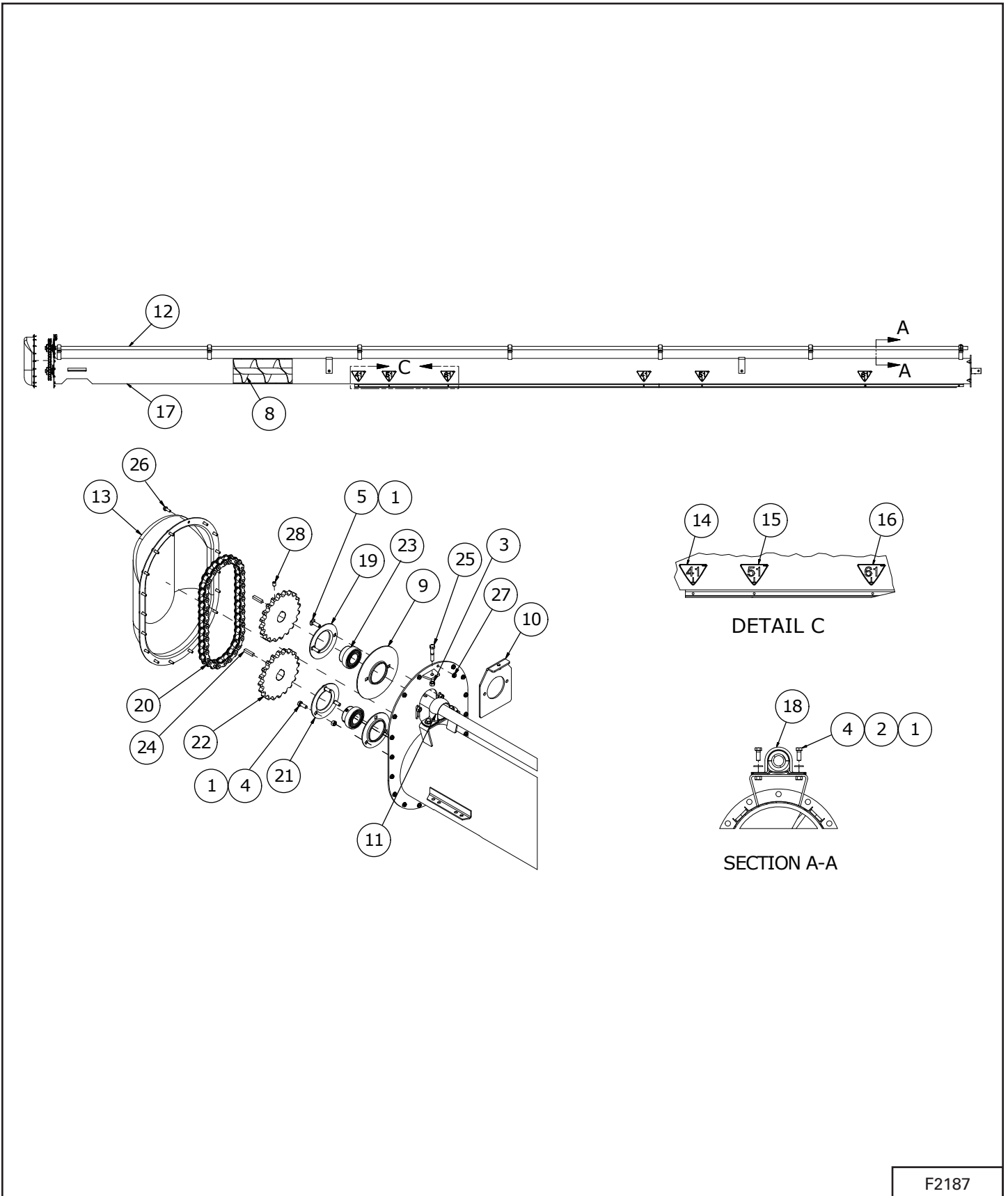
### TOP SECTION - 841, 851, 861 BELT DRIVE



F2185

ITEM	PART NUMBER	DESCRIPTION	QTY.
1	812363	3/8" LOCK NUT (PL)	19
2	81570	3/8" STD FLATWASH (PL)	14
3	81582	BOLT, FULL 3/8" X 2-3/4" HEX GR.5 (PL)	1
4	81592	3/8" HEX NUT (PL)	1
5	86170	3/8" X 1" HEX BOLT GR.5 (PL)	17
6	86182	3/8 X 1-1/4 CARRIAGE BOLT (PL)	2
7	904902	GREASE GRADE 2	1
8	907388	SILAPRENE (300ML TUBE)	1
9	910071	#H80 X 13T SPROCKET W/ 1-3/8" BORE	1
10	912280	2-HOLE 1-3/8" BRG FLG	1
11	912282	CHAIN TIGHTNER BRKT WELDT	1
12	912292	STEEL FLANGE (WOODEN BEARING 1-3/8")	1
13	912484	DRIVELINE WELDT - TOP SECT	1
14	912934	TOP SECTION FLIGHTING WELDT 8"	1
15	913676	#80 CHAIN 37 LINK W/ CONN & OFFSET	1
16	913731	TOP END COVER (STEEL)	1
17	917475	DECAL-TRACK STOP 41'	2
18	917476	DECAL-TRACK STOP 51'	2
19	917477	DECAL-TRACK STOP 61'	2
20	927249	TOP SECT WELDT 8"	1
21	960789	WOODEN BEARING (Ø1-3/8")	6
22	961042	#H80 X 28T SPROCKET W/ 1-3/8" BORE	1
23	961091	2-HOLE 1-3/8" BRG FLANGE	1
24	961675	BEARING FLANGE 72MS	2
25	965917	1-3/8" BEARING	2
26	967041	5/16" X 5/16" X 1-1/2" SPRKT KEY	2
27	967473	1/4" X 3/4" FLANGE BOLT (PL)	18
28	967474	1/4" FLANGE HEX NUT (PL)	18
29	985639	3/8" X 1/2" SOCKET SET SCREW (BR)	4

### TOP SECTION - 1041, 1051, 1061 DIRECT DRIVE

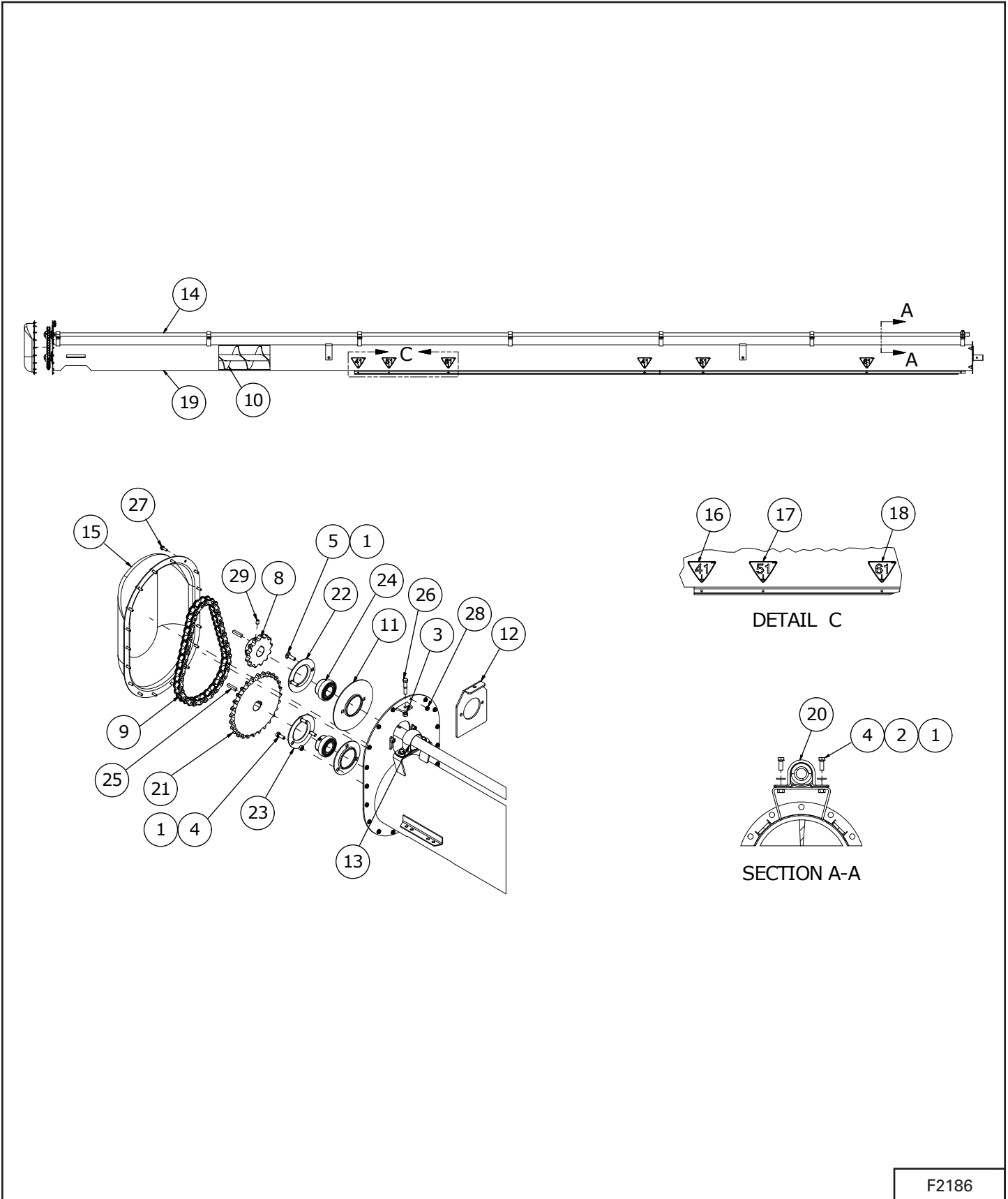


F2187



ITEM	PART NUMBER	DESCRIPTION	QTY.
1	812363	3/8" LOCK NUT (PL)	19
2	81570	3/8" STD FLAT WASH (PL)	14
3	81592	3/8" HEX NUT (PL)	1
4	86170	3/8" X 1" HEX BOLT GR.5 (PL)	17
5	86182	3/8 X 1-1/4 CARRIAGE BOLT (PL)	2
6	904902	GREASE GRADE 2	1
7	907388	SILAPRENE (300ML TUBE)	1
8	912179	TOP SECTION FLIGHTING WELDMENT 10"	1
9	912280	2-HOLE 1-3/8" BRG FLG	1
10	912282	CHAIN TIGHTNER BRKT WELDT	1
11	912292	STEEL FLANGE (WOODEN BEARING 1-3/8")	1
12	912484	DRIVELINE WELDT - TOP SECT	1
13	913731	TOP END COVER (STEEL)	1
14	917475	DECAL-TRACK STOP 41'	2
15	917476	DECAL-TRACK STOP 51'	2
16	917477	DECAL-TRACK STOP 61'	2
17	927262	TOP SECTION WELDMENT 10"	1
18	960789	WOODEN BEARING (Ø1-3/8")	6
19	961091	2-HOLE 1-3/8" BRG FLANGE	1
20	961181	#80 CHAIN (38 LINK)	1
21	961675	BEARING FLANGE 72MS	2
22	961998	20T SPRKT #80 (1-3/8" BORE)	2
23	965917	1-3/8" BEARING	2
24	967041	5/16" X 5/16" X 1-1/2" SPRKT KEY	2
25	967291	3/8" X 2" FULL THREAD HEX BOLT (PL)	1
26	967473	1/4" X 3/4" FLANGE BOLT (PL)	18
27	967474	1/4" FLANGE HEX NUT (PL)	18
28	985639	3/8" X 1/2" SOCKET SET SCREW (BR)	4

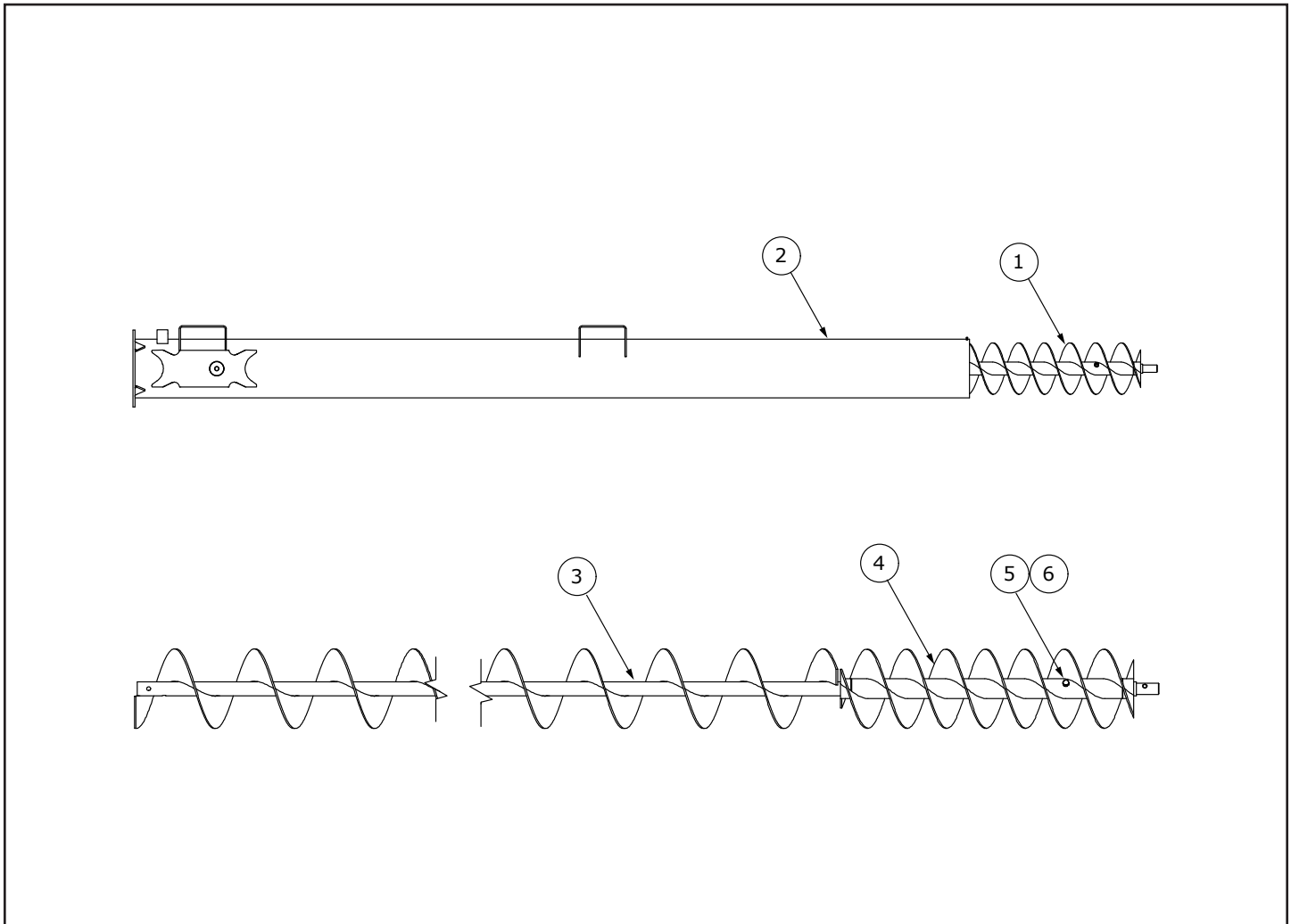
### TOP SECTION - 1041, 1051 BELT DRIVE



F2186

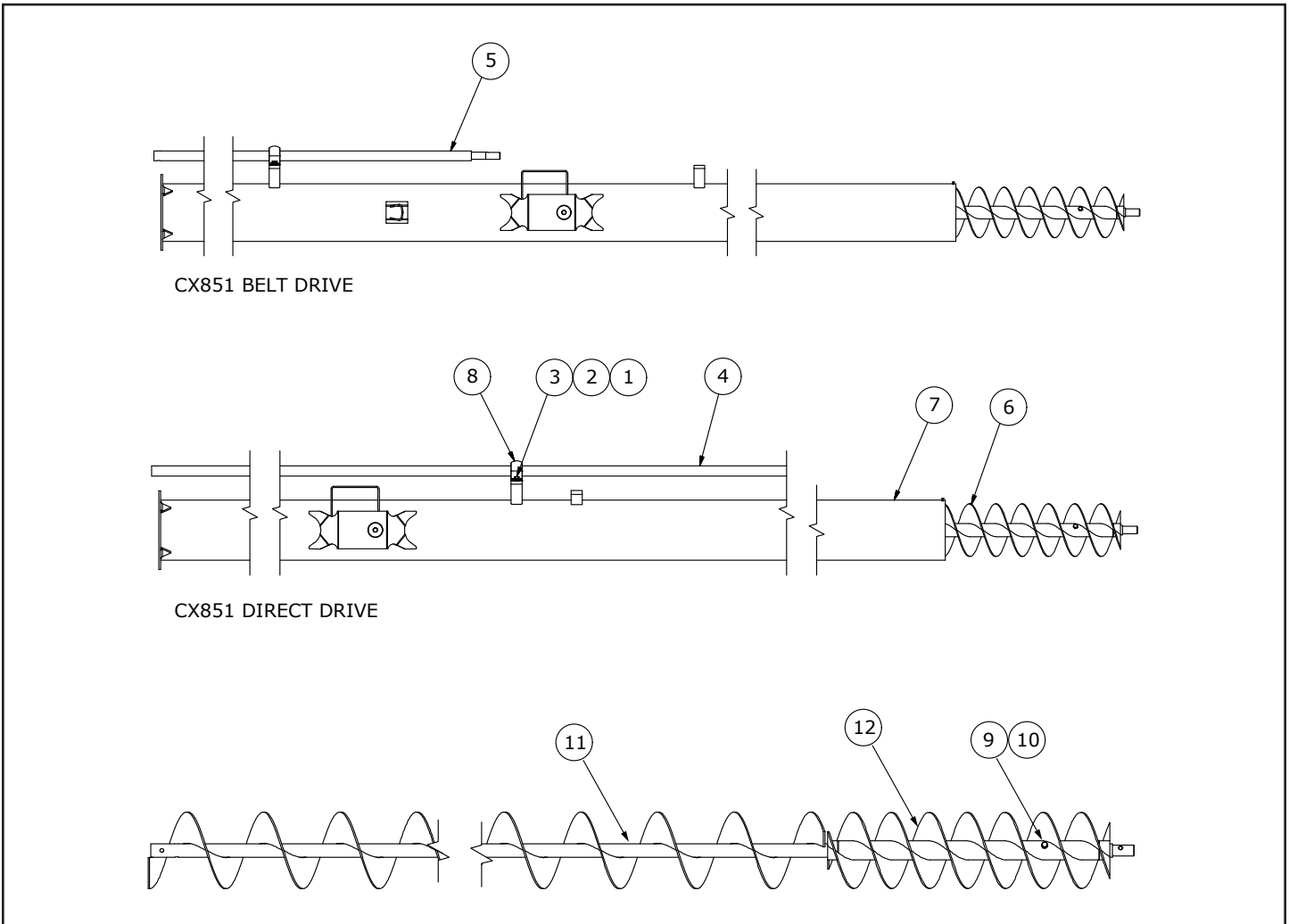
ITEM	PART NUMBER	DESCRIPTION	QTY.
1	812363	3/8" LOCK NUT (PL)	19
2	81570	3/8" STD FLAT WASH (PL)	14
3	81592	3/8" HEX NUT (PL)	1
4	86170	3/8" X 1" HEX BOLT GR.5 (PL)	17
5	86182	3/8 X 1-1/4 CARRIAGE BOLT (PL)	2
6	904902	GREASE GRADE 2	1
7	907388	SILAPRENE (300ML TUBE)	1
8	910071	#H80 X 13T SPROCKET W/ 1-3/8" BORE	1
9	910072	#80 CHAIN 39 LINK W/ CONN & OFFSET	1
10	912179	TOP SECTION FLIGHTING WELDMENT 10"	1
11	912280	2-HOLE 1-3/8" BRG FLG	1
12	912282	CHAIN TIGHTNER BRKT WELDT	1
13	912292	STEEL FLANGE (WOODEN BEARING 1-3/8")	1
14	912484	DRIVELINE WELDT - TOP SECT	1
15	913731	TOP END COVER (STEEL)	1
16	917475	DECAL-TRACK STOP 41'	2
17	917476	DECAL-TRACK STOP 51'	2
18	917477	DECAL-TRACK STOP 61'	2
19	927262	TOP SECTION WELDMENT 10"	1
20	960789	WOODEN BEARING (Ø1-3/8")	6
21	961042	#H80 X 28T SPROCKET W/ 1-3/8" BORE	1
22	961091	2-HOLE 1-3/8" BRG FLANGE	1
23	961675	BEARING FLANGE 72MS	2
24	965917	1-3/8" BEARING	2
25	967041	5/16" X 5/16" X 1-1/2" SPRKT KEY	2
26	967291	3/8" X 2" FULL THREAD HEX BOLT (PL)	1
27	967473	1/4" X 3/4" FLANGE BOLT (PL)	18
28	967474	1/4" FLANGE HEX NUT (PL)	18
29	985639	3/8" X 1/2" SOCKET SET SCREW (BR)	4

**BOTTOM SECTION - 841, 1041**



ITEM	PART NUMBER	DESCRIPTION	QTY.
1	925267	ASSY - CX841 BOTTOM FLTG	1
	925401	ASSY - CX1041 BOTTOM FLTG	1
2	927220	WELDT - CX841 BTM	1
	927211	WELDT - CX1041 BTM	1
3	925269	WELDT - CX841 BOTTOM FLTG	1
	925402	WELDT - CX1041 BOTTOM FLTG	1
4	925709	WELDT - 8" DOUBLE REPLACEABLE FLTG	1
	925697	WELDT - 10" DOUBLE REPLACEABLE FLTG	1
5	812362	5/16" LOCK NUT (PL) - CX841	1
	812364	1/2" LOCK NUT (PL) - CX1041	1
6	811688	BOLT - 5/16" X 2-1/4" (PL) GR.5 - CX841	1
	81629	HEX BOLT - 1/2" X 3-1/2" (PL) - CX1041	1

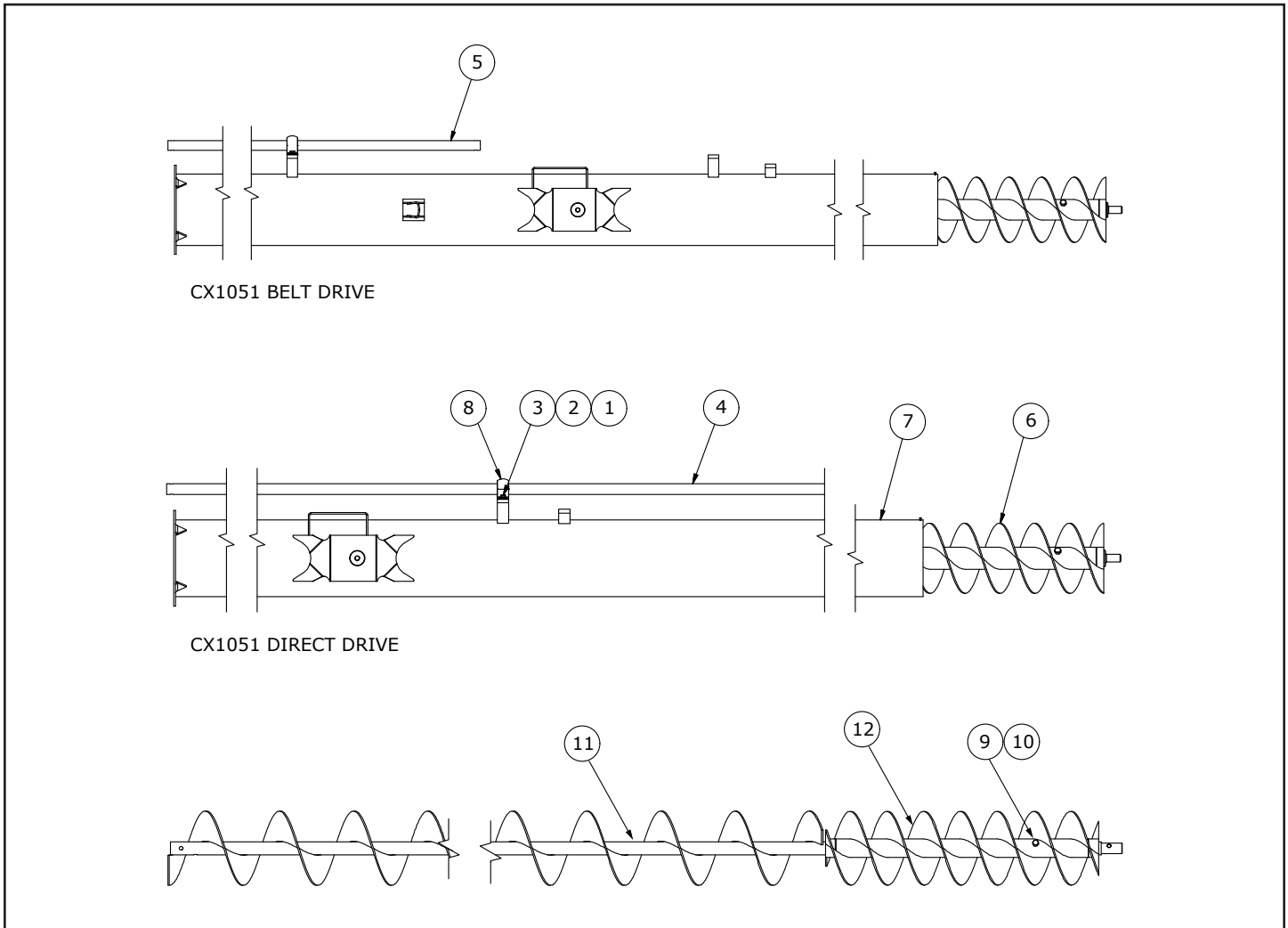
**BOTTOM SECTION - 851**



ITEM	PART NUMBER	DESCRIPTION	QTY.
1	812363	3/8" LOCK NUT (PL)	*
2	81570	3/8" STD FLATWASH (PL)	*
3	86170	3/8" X 1" HEX BOLT GR.5 (PL)	*
4	913333	DRIVELINE WELDMENT EXT - 851D	1
5	913373	DRIVELINE WELDMENT EXT - 851E/P	1
6	925443	ASSY - CX851 BOTTOM FLTG	1
7	927176	WELDT - CX851 BTM	1
8	960789	WOODEN BEARING (Ø1-3/8")	*
9	811688	BOLT-5/16" X 2-1/4" (PL) GR.5	1
10	812362	5/16" LOCK NUT (PL)	1
11	925444	WELDT - CX851 BOTTOM FLTG	1
12	925709	WELDT - 8" DOUBLE REPLACEABLE FLTG	1

\* AS REQUIRED

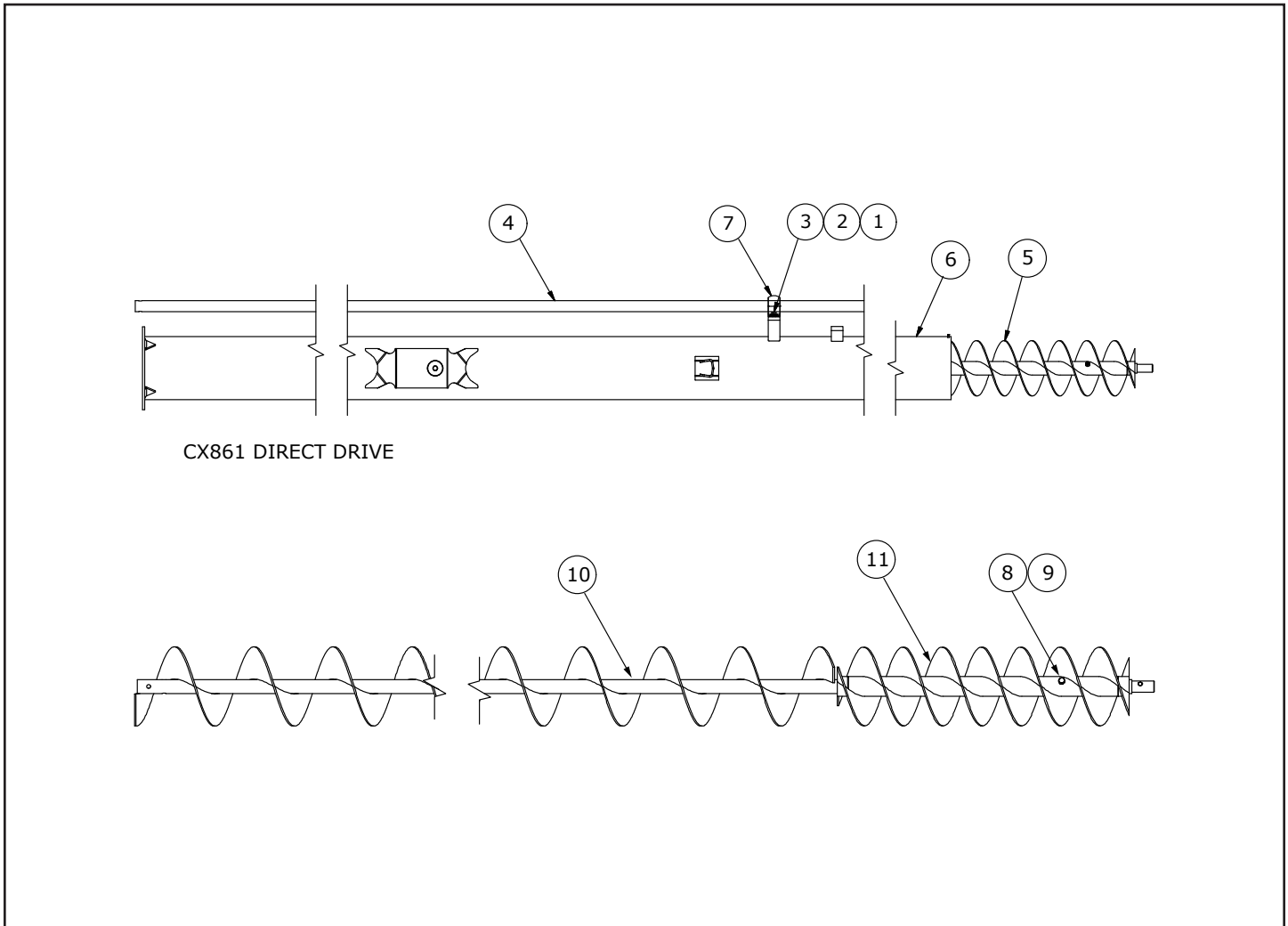
**BOTTOM SECTION - 1051**



ITEM	PART NUMBER	DESCRIPTION	QTY.
1	812363	3/8" LOCK NUT (PL)	*
2	81570	3/8" STD FLATWASH (PL)	*
3	86170	3/8" X 1" HEX BOLT GR.5 (PL)	*
4	912968	DRIVELINETUBE - 1051D	1
5	912512	DRIVELINETUBE EXT - 1051E/P	1
6	925452	ASSY - CX1051 BOTTOM FLTG	1
7	927302	WELDT - CX1051 BTM	1
8	960789	WOODEN BEARING (Ø1-3/8")	*
9	812364	1/2" LOCK NUT (PL)	1
10	81629	1/2" X 3 1/2" HEX BOLT (PL)	1
11	925453	WELDT - CX1051 BOTTOM FLTG	1
12	925697	WELDT - 10" DOUBLE REPLACEABLE	1

\* AS REQUIRED

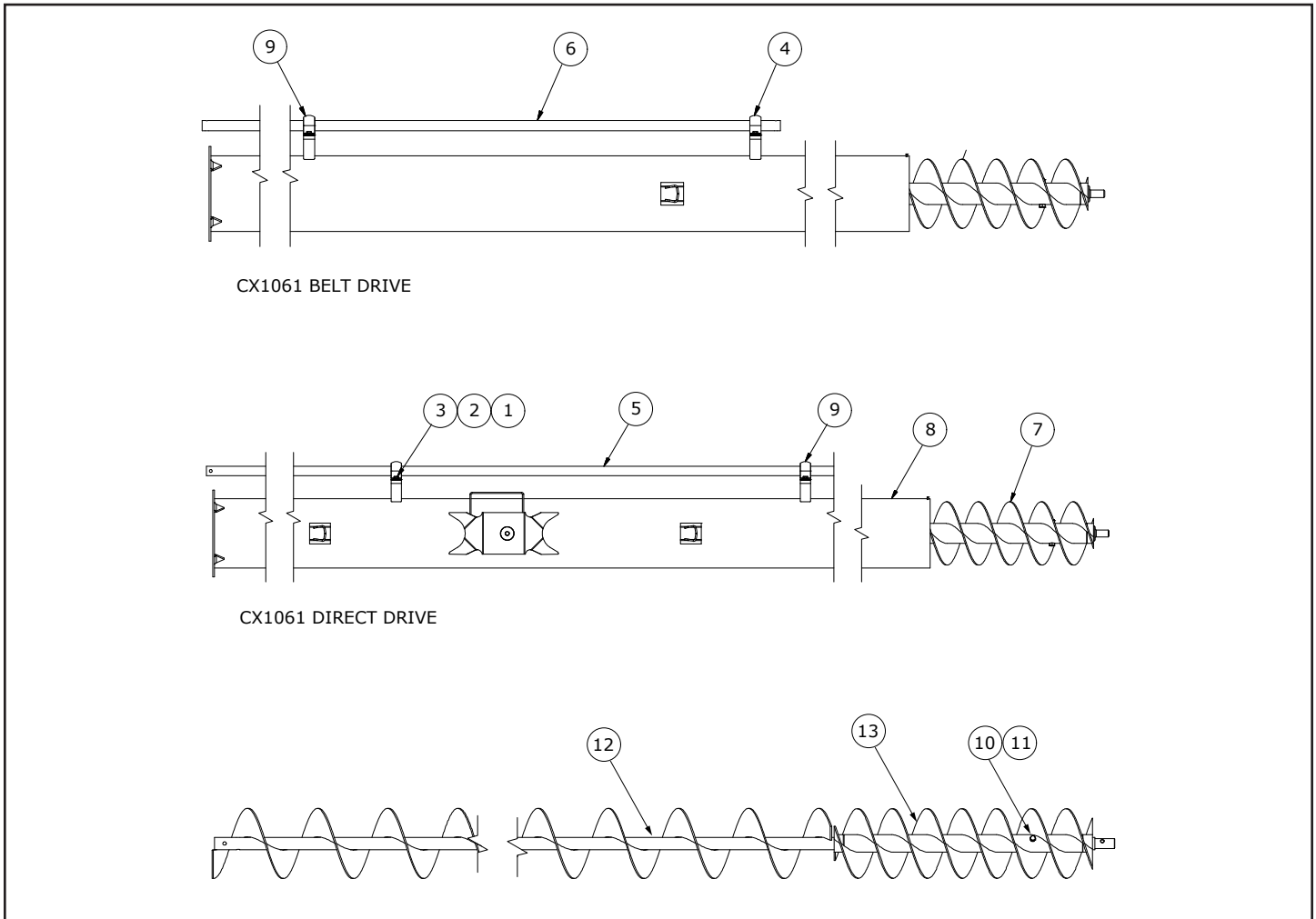
**BOTTOM SECTION - 861**



ITEM	PART NUMBER	DESCRIPTION	QTY.
1	812363	3/8" LOCK NUT (PL)	*
2	81570	3/8" STD FLAT WASH (PL)	*
3	86170	3/8" X 1" HEX BOLT GR.5 (PL)	*
4	913649	DRIVELINE WELDMENT EXT - 861D	1
5	925516	ASSY - CX861 BOTTOM FLTG	1
6	927144	WELDT - CX861 BTM	1
7	960789	WOODEN BEARING (Ø1-3/8")	*
8	811688	BOLT 5/16" X 2-1/4" (PL) GR.5	1
9	812362	5/16" LOCK NUT (PL)	1
10	925517	WELDT - CX861 BOTTOM FLTG	1
11	925709	WELDT - 8" DOUBLE REPLACEABLE	1

\* AS REQUIRED

**BOTTOM SECTION - 1061**



ITEM	PART NUMBER	DESCRIPTION	QTY.
1	812363	3/8" LOCK NUT (PL)	*
2	81570	3/8" STD FLAT WASH (PL)	*
3	86170	3/8" X 1" HEX BOLT GR.5 (PL)	*
4	912292	STEEL FLANGE (WOODEN BEARING 1-3/8") - 1061E/P	1
5	912507	DRIVELINETUBE EXT - 1061D	1
6	913708	DRIVELINETUBE EXT - 1061E/P	1
7	925525	ASSY - CX1061 BOTTOM FLTG	1
8	927164	WELDT - CX1061 BTM	1
9	960789	WOODEN BEARING (Ø1-3/8")	*
10	812364	1/2" LOCK NUT (PL)	1
11	81629	1/2" X 3 1/2" HEX BOLT (PL)	1
12	925527	WELDT - CX1061 BOTTOM FLTG	1
13	925697	WELDT - 10" DOUBLE REPLACEABLE	1

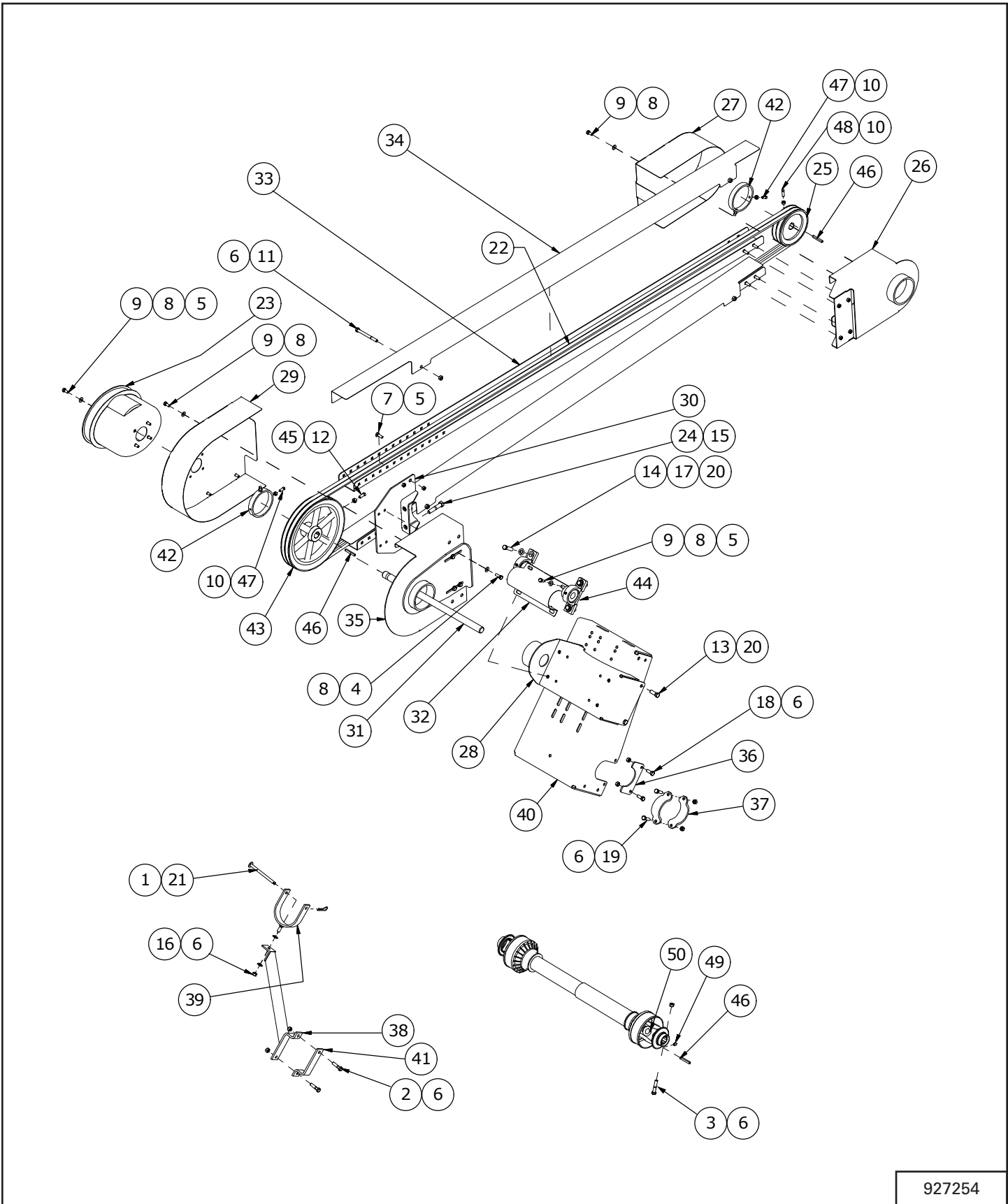
\* AS REQUIRED



# Farm King



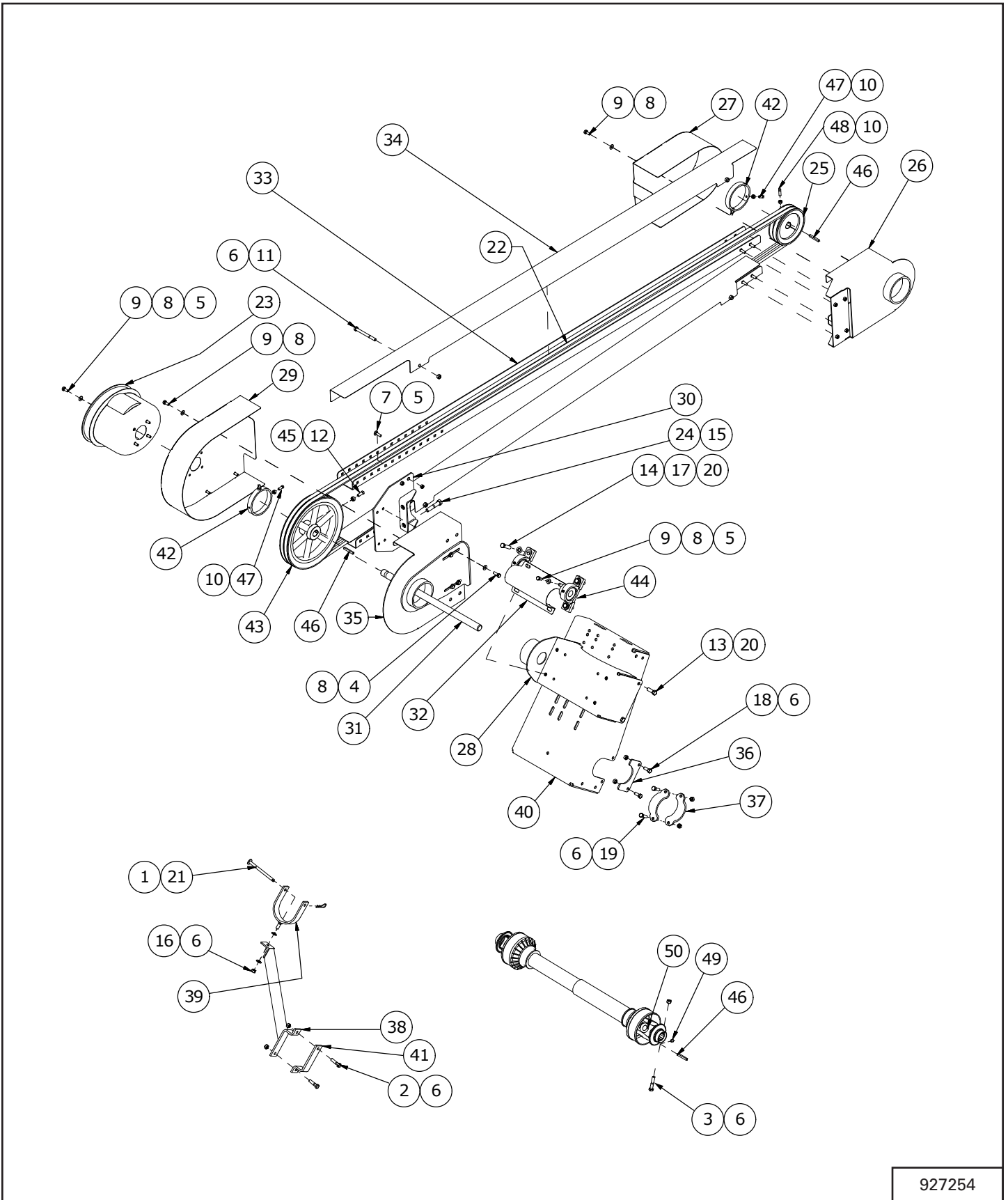
### BELT DRIVE, PTO - 841, 851



927254

ITEM	PART NUMBER	DESCRIPTION	QTY.
1	12780	#7 HAIR PIN CLIP	1
2	811792	3/8" X 1-1/2" HEX BOLT GR.5 (PL)	2
3	811795	3/8" X 2" HEX BOLT (PL)	1
4	812026	5/16" X 1" HEX BOLT (PL)	4
5	812362	5/16" LOCK NUT (PL)	16
6	812363	3/8" LOCK NUT (PL)	16
7	812626	BOLT CARR 0.313NC X 1.00GR5PL	8
8	81546	5/16" FLAT WASHER (PL)	24
9	81549	5/16" X 3/4" HEX BOLT (PL)	16
10	81568	5/16" HEX NUT (PL)	6
11	81587	3/8" X 4" HEX BOLT (PL)	4
12	81592	3/8" HEX NUT (PL)	2
13	81598	7/16" X 1-1/4" HEX BOLT (PL)	4
14	81600	7/16" X 1-3/4" HEX BOLT GR5 PL	4
15	81636	1/2" HEX NUT (PL)	2
16	84039	3/8" FLAT WASHER (PL)	2
17	84041	7/16" SAE FLAT WASHER (PL)	8
18	86170	3/8" X 1" HEX BOLT GR.5 (PL)	4
19	86171	3/8" X 1-1/4" HEX BOLT (PL)	4
20	86273	7/16" LOCK NUT (PL)	8
21	904445	PTO HOLDER PIN WELDT	1
22	906565	B-230 V-BELT - 841	2
	961002	B-287 V-BELT - 851	2
23	907349	FRONT PTO GUARD	1
24	907986	1/2" X 2-1/2" HEX BOLT FULL THREAD (PL)	2

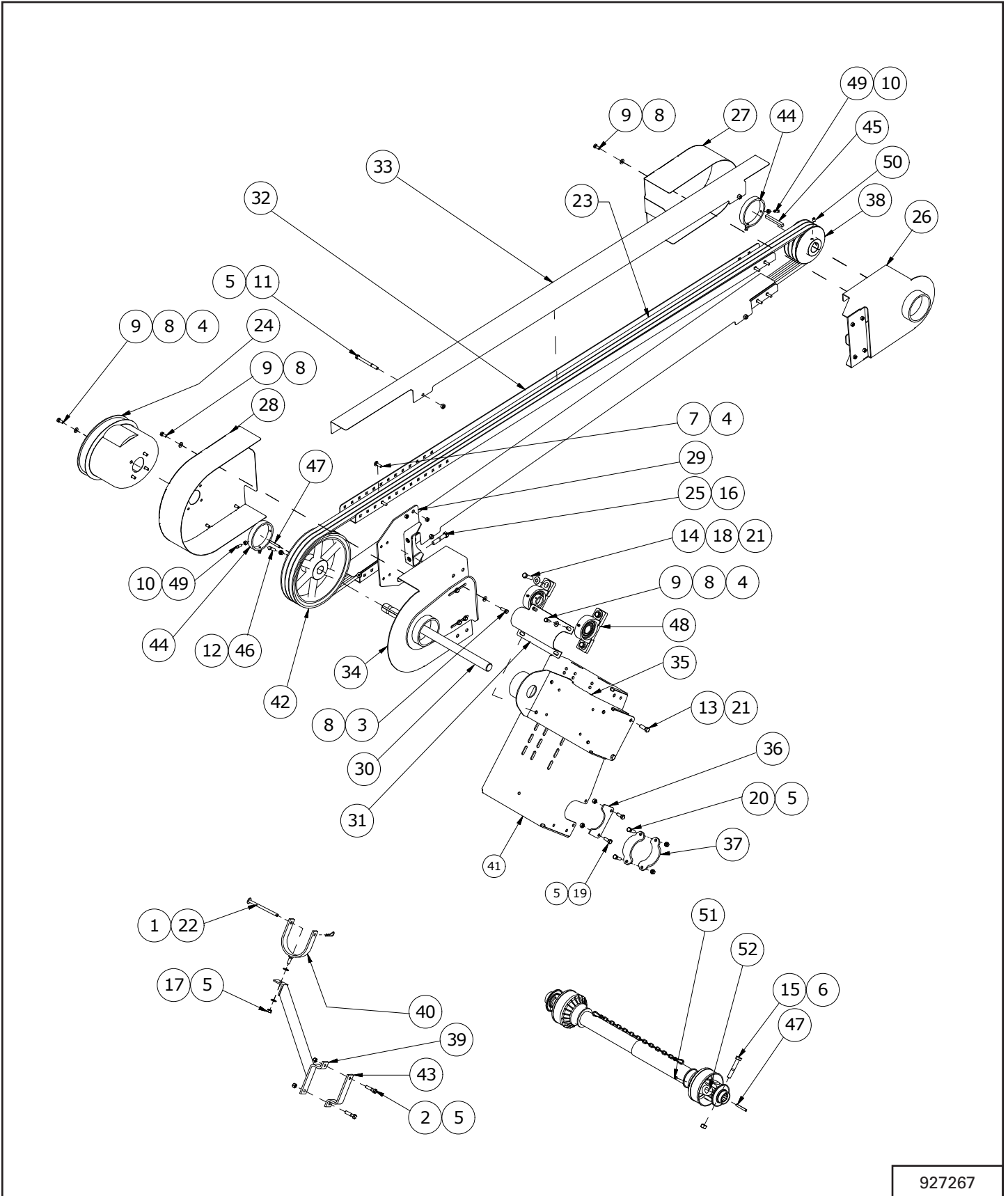
BELT DRIVE, PTO - 841, 851 - CONTINUED



927254

ITEM	PART NUMBER	DESCRIPTION	QTY.
25	909014	6" DOUBLE SHEAVE	1
26	913608	WELDT-CA MOVER BELT GUARD	1
27	913609	ASSY-BELT GUARD COVER	1
28	913613	WELDT-PTO BELT DRIVE MOUNT	1
29	913617	WELDT-BELT GUARD COVER	1
30	913621	WELDT-BELT GUARD	1
31	913631	PTO ARBOR SHFT 1.000 X 20.75	1
32	913634	PTO KIT SHIELD	1
33	913763	GUARD-LOWER TRAY - 841	2
	913359	GUARD-LOWER TRAY - 851	2
34	913765	GUARD-COVER - 841	2
	913366	GUARD-COVER - 851	2
35	913769	WELDT-CA MOVER BELT GUARD	1
36	915245L	PLATE-ENGINE MOUNT PIVOT	2
37	915251	BRKT-ENGINE MOUNT STOP	4
38	916236	WELDT-PTO HOLDER ARM	1
39	916245	WELDT-PTO HOLDER	1
40	927185	BRKT-ENGINE MOUNT CA MOVER	1
41	961381	PTO HLDR BRKT 1/4 X 1-1/2 X 7"	1
42	961383	GUARD HOLDER RING 4-1/2"OD	2
43	961567	12" DBL SHEAVE	1
44	961792	HOUSING W/BEARING PILLOW (P205)	2
45	967464	3/8" X 1-1/4" SQ HD SET SCREW (BR)	2
46	968811	1/4" SQ X 2" KEY	3
47	9812377	5/16" X 3/4" SQ HEAD SET SCR (PL)	4
48	981461	5/16" X 1" SQ. HD. SET SCREW (BR)	2
49	988999	3/8" X 3/8" SOCKET SET SCREW (BR)	1
50	F0444	PTO SHAFT (1-3/8 - 6 SPLINE) 1" SHAFT	1

**BELT DRIVE, PTO - 1041, 1051, 1061**



927267

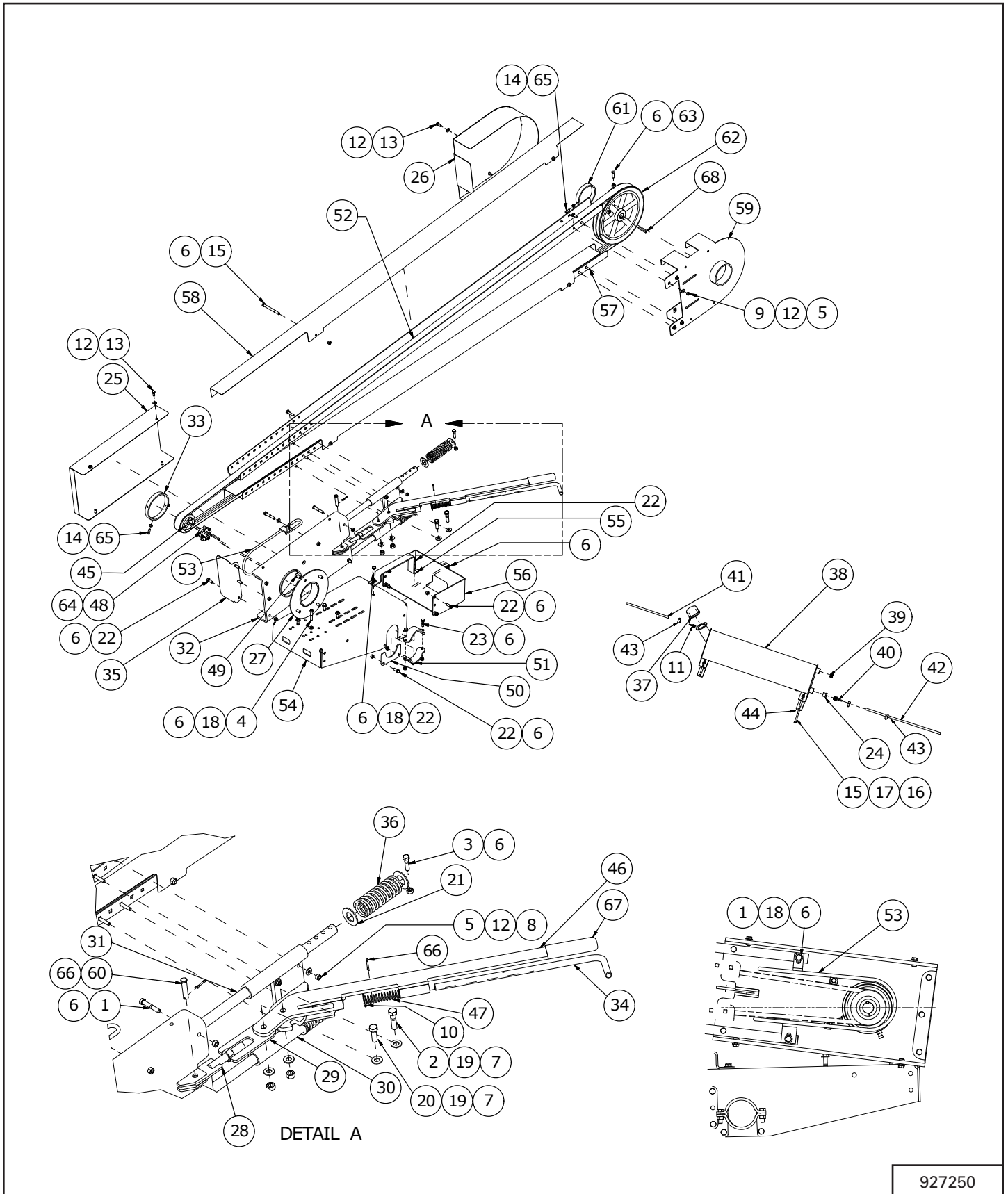
ITEM	PART NUMBER	DESCRIPTION	QTY.
1	12780	#7 HAIR PIN CLIP	1
2	811792	3/8" X 1-1/2" HEX BOLT GR.5 (PL)	2
3	812026	5/16" X 1" HEX BOLT (PL)	4
4	812362	5/16" LOCK NUT (PL)	16
5	812363	3/8" LOCK NUT (PL)	15
6	812364	1/2" LOCK NUT (PL)	1
7	812626	BOLT CARR 0.313NC X 1.00GR5PL	8
8	81546	5/16" FLAT WASHER (PL)	24
9	81549	5/16" X 3/4" HEX BOLT (PL)	16
10	81568	5/16" HEX NUT (PL)	4
11	81587	3/8" X 4" HEX BOLT (PL)	4
12	81592	3/8" HEX NUT (PL)	2
13	81598	7/16" X 1-1/4" HEX BOLT (PL)	4
14	81600	7/16" X 1-3/4" HEX BOLT GR5 PL	4
15	81627	1/2" X 3" HEX BOLT (PL)	1
16	81636	1/2" HEX NUT (PL)	2
17	84039	3/8" FLAT WASHER (PL)	2
18	84041	7/16" SAE FLAT WASHER (PL)	8
19	86170	3/8" X 1" HEX BOLT GR.5 (PL)	4
20	86171	3/8" X 1-1/4" HEX BOLT (PL)	4
21	86273	7/16" LOCK NUT (PL)	8
22	904445	PTO HOLDER PIN WELDT	1
23	906565	B-230 V-BELT - 1041	3
	961002	B-287 V-BELT - 1051	3
	961002	B-287 V-BELT - 1061	3
24	907349	FRONT PTO GUARD	1
25	907986	1/2" X 2 1/2" HEX BOLT FULL THREAD (PL)	2
26	913608	WELDT-CA MOVER BELT GUARD	1
27	913609	ASSY-BELT GUARD COVER	1
28	913617	WELDT-BELT GUARD COVER	1
29	913621	WELDT-BELT GUARD	1
30	913632	PTO ARBOR SHFT 1.25 CX	1
31	913634	PTO KIT SHIELD	1
32	913763	GUARD-LOWER TRAY - 1041	2
	913359	GUARD-LOWER TRAY - 1051	2
	913359	GUARD-LOWER TRAY - 1061	2
33	913765	GUARD-TRAY COVER - 1041	2
	913366	GUARD-TRAY COVER - 1051	2
	913366	GUARD-TRAY COVER - 1061	2
34	913769	WELDT-CA MOVER BELT GUARD	1





ITEM	PART NUMBER	DESCRIPTION	QTY.
35	914664	WELDT-PTO BELT DRIVE MOUNT 10"	1
36	915245L	PLATE-ENGINE MOUNT PIVOT	2
37	915251	BRKT-ENGINE MOUNT STOP	4
38	915736	6" TRIPLE SHEAVE	1
39	916236	WELDT-PTO HOLDER ARM	1
40	916245	WELDT-PTO HOLDER	1
41	927185	BRKT-ENGINE MOUNT CA MOVER	1
42	961004	12" TRIPLE SHEAVE W/ 1-1/4" BORE	1
43	961381	PTO HLDR BRKT 1/4 X 1-1/2 X 7"	1
44	961383	GUARD HOLDER RING 4-1/2"OD	2
45	967044	3/8" X 3/8" X 3-3/8" PULLEY KEY	1
46	967464	3/8" X 1-1/4" SQ HD SET SCREW (BR)	2
47	968811	1/4" SQ X 2" KEY	2
48	973223	1-1/4" PILLOW BRG W/ COLLAR	2
49	9812377	5/16" X 3/4" SQ HEAD SET SCR (PL)	4
50	985639	3/8" X 1/2" SOCKET SET SCREW (BR)	2
51	988999	3/8" X 3/8" SOCKET SET SCREW (BR)	1
52	F0467	PTO SHAFT (1-3/8 - 6 SPLINE) 1 1/4" SHAFT	1

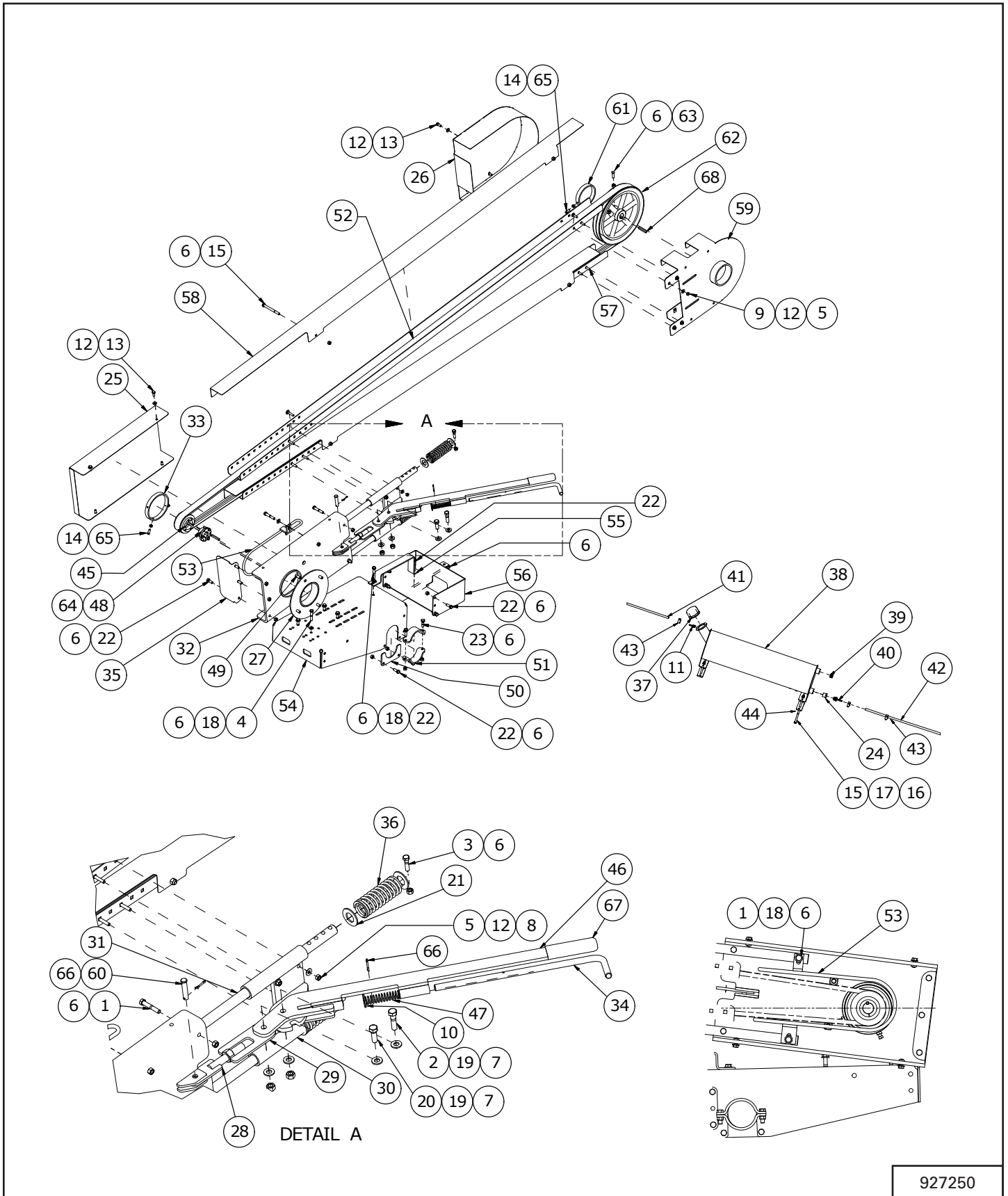
# BELT DRIVE, ENGINE MOUNT, MANUAL LEVER



927250

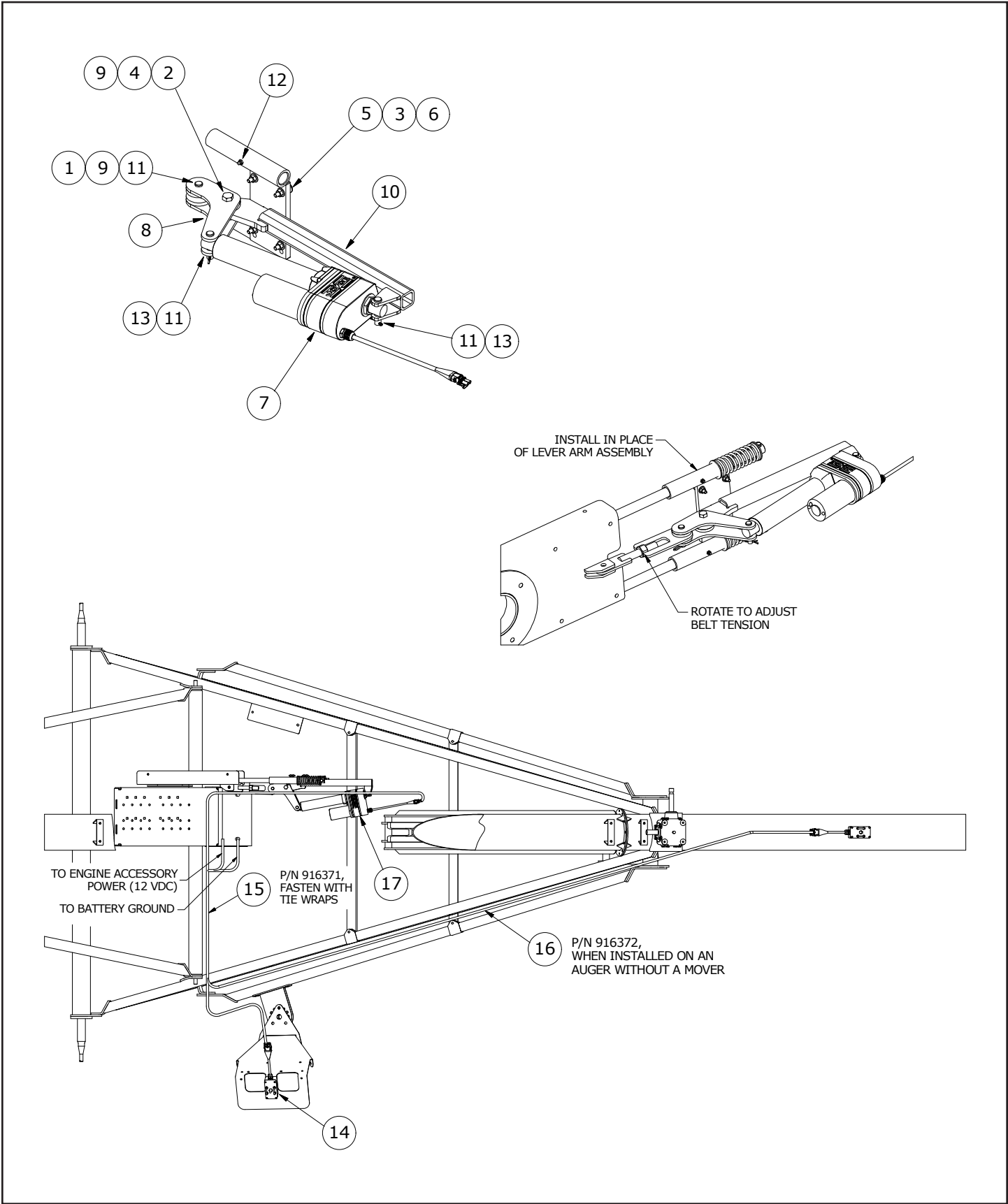
ITEM	PART NUMBER	DESCRIPTION	QTY.
1	810958	3/8" X 2-1/4" HEX BOLT (PL)	4
2	811791	1/2" X 2" HEX BOLT (PL)	1
3	811792	3/8" X 1-1/2" HEX BOLT GR.5 (PL)	2
4	811795	3/8" X 2" HEX BOLT (PL)	4
5	812362	5/16" LOCK NUT (PL)	8
6	812363	3/8" LOCK NUT (PL)	33
7	812364	1/2" LOCK NUT (PL)	2
8	812591	BOLT CARR 0.313 NC X 1.50 GR5PL	4
9	812626	BOLT CARR 0.313NC X 1.00GR5PL	4
10	812639	WASHER 0.625 SAE FLAT BS PL	1
11	813749	ADAPTER-4 MPT X -3 HOSE BARB	1
12	81546	5/16" FLAT WASHER (PL)	16
13	81549	5/16" X 3/4" HEX BOLT (PL)	8
14	81568	5/16" HEX NUT (PL)	4
15	81587	3/8" X 4" HEX BOLT (PL)	8
16	81592	3/8" HEX NUT (PL)	4
17	81593	3/8" LOCK WASHER (PL)	4
18	84039	3/8" FLAT WASHER (PL)	11
19	84048	1/2" SAE FLAT WASHER (PL)	4
20	84277	1/2" X 1-1/2" HEX BOLT (PL)	1
21	84522	1" ID SAE FLAT WASHER (PL)	4
22	86170	3/8" X 1" HEX BOLT GR.5 (PL)	13
23	86171	3/8" X 1-1/4" HEX BOLT (PL)	4
24	910442	REDUCER, 3/4"MNPT X 1/2"FNPT	1
25	913217	BRKT-CA MOVER BELT COVER	1
26	913355	ASSY-BELT GUARD COVER	1
27	913361	WELDT-ENGINE PIVOT	1
28	913362	WELDT-CA MOVER LINK	1
29	913363	WELDT-CA MOVER LINK	1
30	913437	WELDT-CA MOVER SLIDER	1
31	913439	ROD-CA BELT GUARD	2
32	913441	WELDT-CA MOVER GUARD	1
33	913443	HOLDER-CA ENGINE GUARD	1
34	913448	ARM-LATCH GUARD	1
35	913517	GUARD-CA ENGINE	1
36	913559	SPRING-COMPRESSION 5"	2
37	913565	FILL CAP-3.14", TANK	1
38	913568	WELDT-TANK CA	1
39	913569	PLUG-12 MPT	1
40	913584	ADAPTER-8 MPT X -4 HOSE BARB	1

BELT DRIVE, ENGINE MOUNT, MANUAL LEVER - CONTINUED



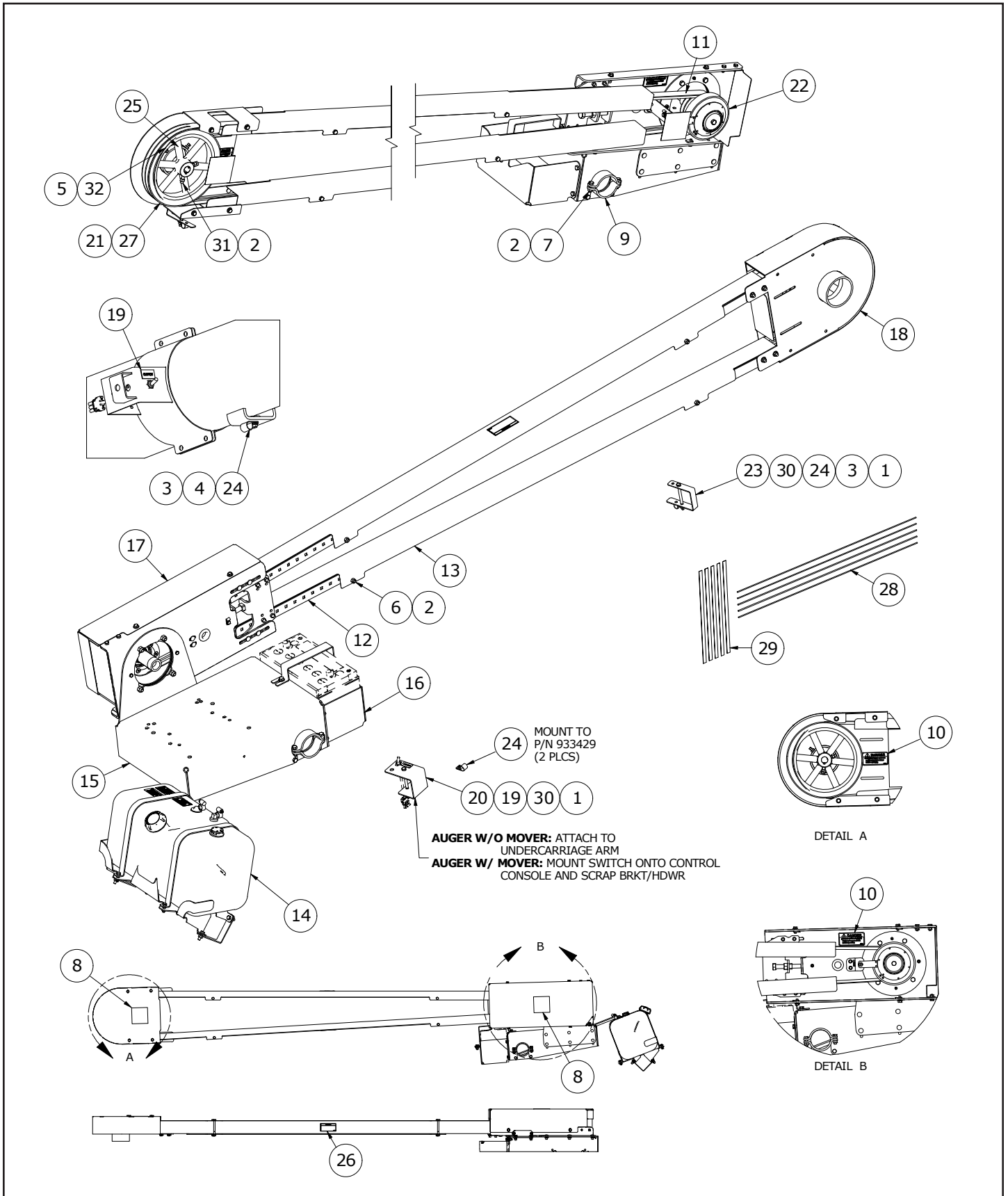
ITEM	PART NUMBER	DESCRIPTION	QTY.
41	913585	HOSE-3 FUEL VENT	1
42	913586	HOSE-4 FUEL, TANK TO ENGINE	1
43	913587	CLAMP HOSE-.38 TO 0.75	3
44	913590L	PLATE-TANK MOUNT	2
45	913591	SHEAVE-2B34 - 8 IN.	1
	913592	SHEAVE-3B34 - 10 IN.	1
46	913684	LEVER-LINKAGE GUARD	1
47	913694	SPRING-COMPRESSION 3.5"	1
48	913703	SHEAVE BUSHING-SHX1-1/8	1
49	913757	SCREW MACH 0.438NC X 1.00 FLHD	4
50	915245L	PLATE-ENGINE MOUNT PIVOT	2
51	915251	BRKT-ENGINE MOUNT STOP	4
52	924063	BELT-2B255 HI-POWER II - 841	1
	924082	BELT-2B300 HI-POWER II - 851	1
	919626	BELT-3B255 HI-POWER II - 1041	1
	919625	BELT-3B300 HI-POWER II - 1051, 1061	1
53	924395	WELDT-ENGINE BELT GUIDE	1
54	927185	BRKT-ENGINE MOUNT CA MOVER	1
55	927208	BATTERY- HOLDER	1
56	927317	HOLDER-BATTERY CA ENGINE	1
57	927357	GUARD-LOWER TRAY - 41 FT.	2
	927361	GUARD-LOWER TRAY - 51, 61 FT.	2
58	927358	GUARD-TRAY COVER - 41 FT.	2
	927360	GUARD-TRAY COVER - 51, 61 FT.	2
59	927359	WELDT-CA MOVER BELT GUARD	1
60	961010	CLEVIS PIN, 1/2" X 2-1/4" (PL)	1
61	961383	GUARD HOLDER RING 4-1/2"OD	1
62	961567	12" DBL SHEAVE - 8 IN.	1
	961187	12" TRIPLE SHEAVE W/ 1-1/2" BORE - 10 IN.	1
63	967464	3/8" X 1-1/4" SQ HD SET SCREW (BR)	2
64	968811	1/4" SQ X 2" KEY	2
65	9812377	5/16" X 3/4" SQ HEAD SET SCR (PL)	4
66	9812430	1/8" X 1" COTTER PIN (PL)	2
67	JDCW25634	RUBBER GRIP	1
68	968811	1/4" SQ X 2" KEY - 8 IN.	1
	967044	3/8" X 3/8" X 3-3/8" PULLEY KEY - 10 IN.	1

# LINEAR ACTUATOR



ITEM	PART NUMBER	DESCRIPTION	QTY.
1	12780	#7 HAIR PIN CLIP	1
2	811796	1/2" X 2 1/2" HEX BOLT GR5 (PL)	1
3	812362	5/16" LOCK NUT (PL)	4
4	812364	1/2" LOCK NUT (PL)	1
5	812591	BOLT CARR 0.313 NC X 1.50 GR5PL	4
6	81546	5/16" FLAT WASHER (PL)	4
7	915316	ASSY-ACTUATOR LINEAR & FEMALE CONNECTOR	1
8	915318L	PLATE-ACTUATOR LINK	2
9	915341L	SPACER-ACTUATOR LINK	4
10	924005	WELDT-LINEAR CLUTCH MOUNT	1
11	961010	CLEVIS PIN, 1/2" X 2 1/4" (PL)	3
12	967164	DRIVE-IN GREASE ZERK	2
13	9812430	1/8" X 1" COTTER PIN (PL)	2
14	916370	ENCLOSURE-LINEAR ACTUATOR	1
15	916371	HARNESS-LINEAR ACTUATOR	1
16	916372	HARNESS EXT-LINEAR ACTUATOR	1
17	924571	ASSY-ENGINE LINEAR ACTUATOR	1
18*	967103	TIE 30"	5
19*	967184	14 1/2" STRAP	5
* NOT SHOWN			

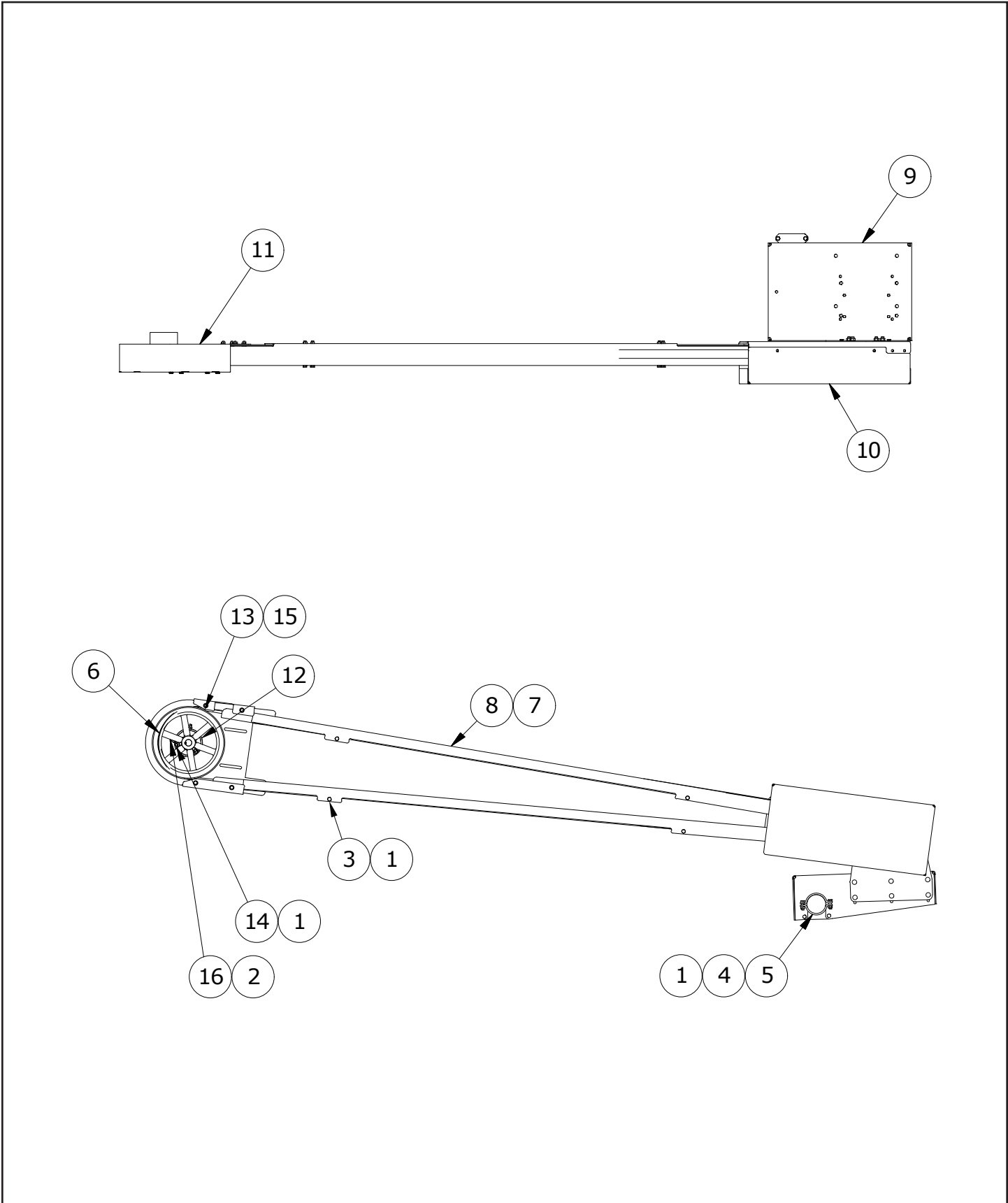
**BELT DRIVE, ENGINE/MOTOR MOUNT, ELECTRIC CLUTCH**





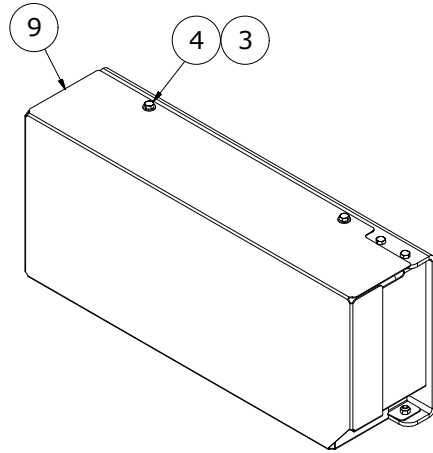
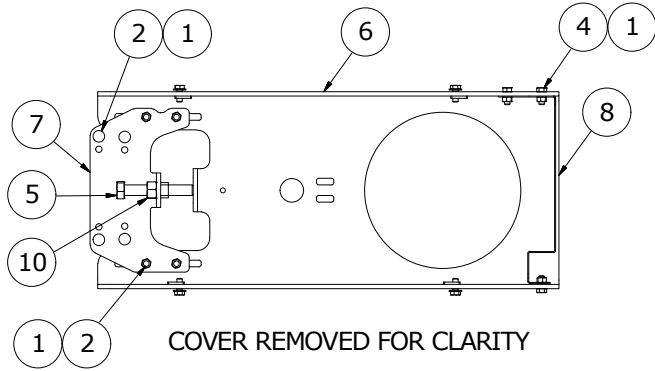
ITEM	PART NUMBER	DESCRIPTION	QTY.
1	812362	5/16" LOCK NUT (PL)	5
2	812363	3/8" LOCK NUT (PL)	10
3	81546	5/16" FLAT WASHER (PL)	6
4	81549	5/16" X 3/4" HEX BOLT (PL)	2
5	81568	5/16" HEX NUT (PL)	2
6	81587	3/8" X 4" HEX BOLT (PL)	4
7	86171	3/8" X 1 1/4" HEX BOLT (PL)	4
8	909747	WARNING DECAL - ROTATING HAZARD	2
9	915251	BRKT-ENGINE MOUNT STOP	4
10	915861	DECAL-MISSING SHIELD HAZARD	2
11	924063	BELT-2B255 HI-POWER II - 41' MODELS	1
	924082	BELT-2B300 - 51', 61' MODELS	1
12	927357	GUARD-LOWER TRAY - 41' MODELS	2
	927361	GUARD-LOWER TRAY - 51', 61' MODELS	2
13	927358	GUARD-TRAY COVER - 41' MODELS	2
	927360	GUARD-TRAY COVER - 51', 61' MODELS	2
14	930831	ASSY-FUEL TANK	1
15	931586	ASSY-ENGINE & MOTOR MOUNT	1
16	931601	ASSY-BATTERY HOLDER	1
17	931941	ASSY-BELT PIVOT	1
18	931942	ASSY-BELT GUARD TOP	1
19	932095	DECAL-CLUTCH	2
20	932102	BRKT-SWITCH MOUNT - 41', 51' MODELS	1
	935149	BRKT-SWITCH MOUNT - 61' MODELS	1
21	932282	12" DOUBLE SHEAVE - 1.5" ID	1
22	932337	ASSY-ELECTRIC CLUTCH	1
23	933429	BRKT - CLAMP MOUNT	4
24	SZ000566	5/16X0.406 HOLE VINYL DIP CLAMP	8
25	961383	GUARD HOLDER RING 4 1/2"OD	1
26	966700	DECAL CAUTION, NO RIDERS	2
27	967044	3/8" X 3/8" X 3 3/8" PULLEY KEY	1
28	967103	TIE 30"	5
29	967184	14 1/2" STRAP	5
30	967197	5/16" X 4" HEX BOLT (PL)	5
31	967464	3/8" X 1 1/4" SQ HD SET SCREW (BR)	2
32	9812377	5/16" X 3/4" SQ HEAD SET SCR (PL)	2

### BELT DRIVE, ELECTRIC MOTOR LOW MOUNT

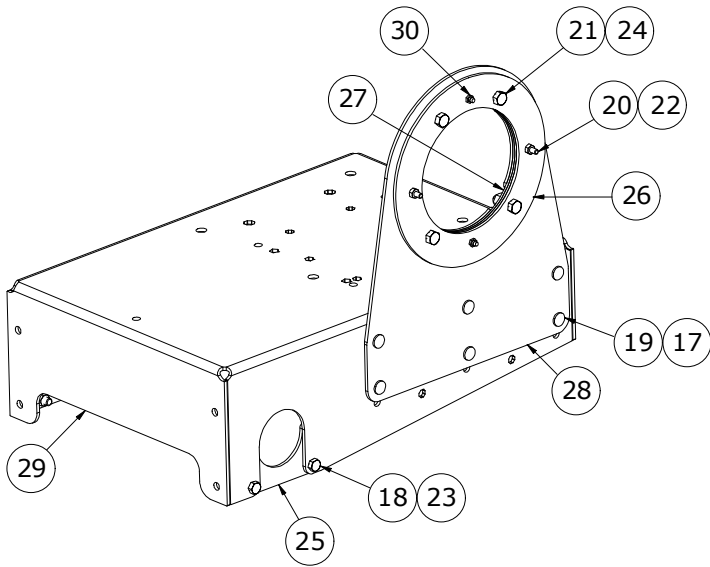


ITEM	PART NUMBER	DESCRIPTION	QTY.
1	812363	3/8" LOCK NUT (PL)	10
2	81568	5/16" HEX NUT (PL)	2
3	81587	3/8" X 4" HEX BOLT (PL)	4
4	86171	3/8" X 1 1/4" HEX BOLT (PL)	4
5	915251	BRKT-ENGINE MOUNT STOP	4
6	924063	BELT-2B255 HI-POWER II - 841 MODELS	1
	924082	BELT-2B300 - 851 MODELS	1
	924068	REFERENCE-BELT 3/B255 - 1041 MODELS	1
	919625	BELT-3B300 HI-POWER II - 1051, 1061 MODELS	1
7	927357	GUARD-LOWER TRAY - 841, 1041 MODELS	2
	927361	GUARD-LOWER TRAY - 851, 1051, 1061 MODELS	2
8	927358	GUARD-TRAY COVER - 841, 1041 MODELS	2
	927360	GUARD-TRAY COVER - 851, 1051, 1061 MODELS	2
9	931586	ASSY-ENGINE & MOTOR MOUNT	1
10	931941	ASSY-BELT PIVOT	1
11	931942	ASSY-BELT GUARDTOP	1
12	961383	GUARD HOLDER RING 4 1/2"OD	1
13	961567	12" DBL SHEAVE - 841, 851 MODELS	1
	961187	12" TRIPLE SHEAVE W/ 1 1/2" BORE - 1041, 1051, 1061 MODELS	1
14	967464	3/8" X 1 1/4" SQ HD SET SCREW (BR)	2
15	968811	1/4" SQ X 2" KEY - 841, 851 MODELS	1
	967044	3/8" X 3/8" X 3 3/8" PULLEY KEY - 1041, 1051, 1061 MODELS	1
16	9812377	5/16" X 3/4" SQ HEAD SET SCR (PL)	2

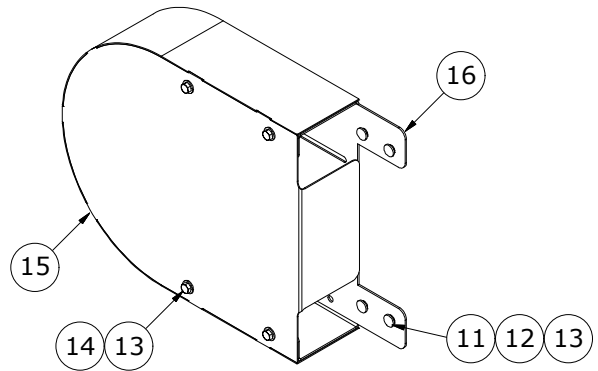
Belt Drive, Electric Motor Low Mount Cont.



BOTTOM BELT COVER



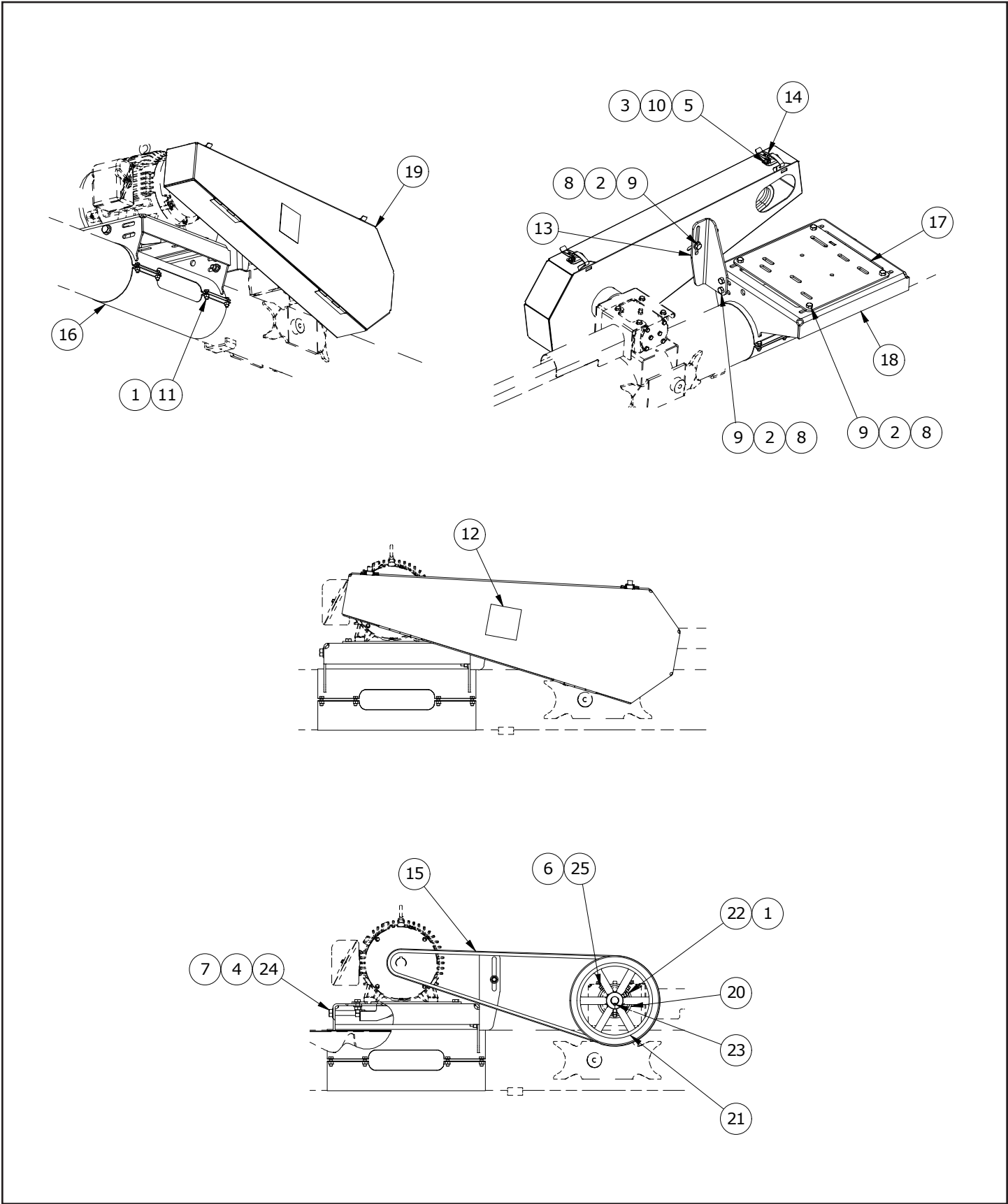
ENGINE / MOTOR MOUNT



TOP BELT COVER

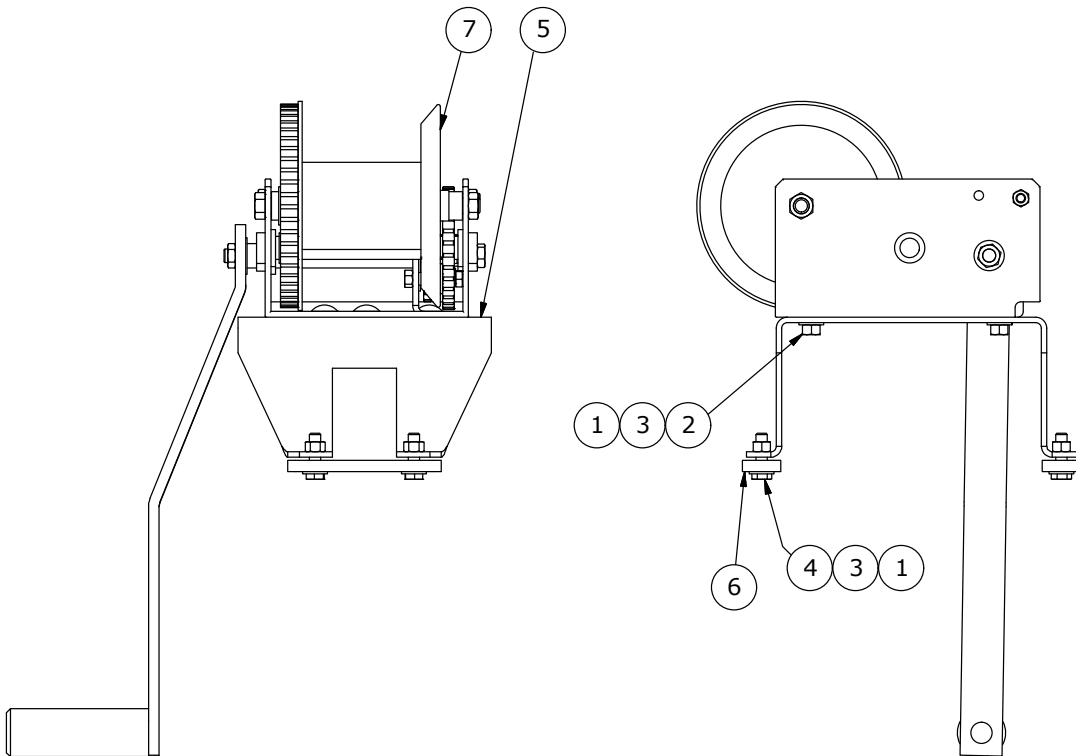
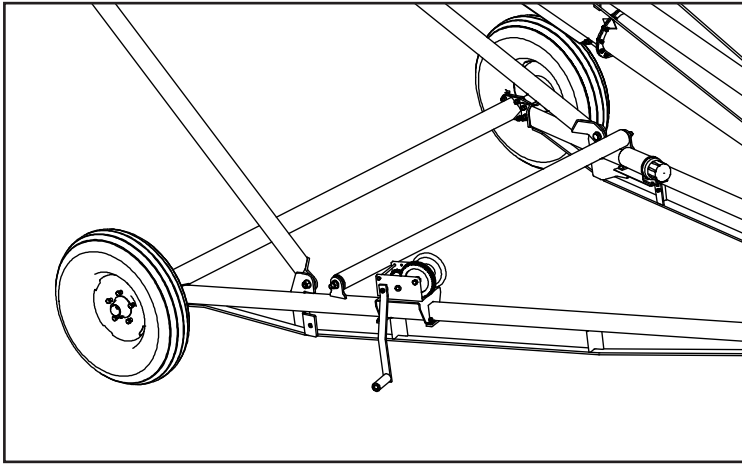
ITEM	PART NUMBER	DESCRIPTION	QTY.
1	812362	5/16" LOCK NUT (PL)	11
2	812626	BOLT CARR 0.313NC X 1.00GR5PL	8
3	81546	5/16" FLAT WASHER (PL)	4
4	81549	5/16" X 3/4" HEX BOLT (PL)	7
5	927733	5/8" X 4" GR5 HEX BOLT (PL) FULL THREAD	1
6	929050	WELDT-GUARD MOUNT	1
7	929759	WELDT-GUARD CONNECTOR	1
8	934287	BRKT - BELT GUARD END	1
9	934288	BRKT - BELT GUARD	1
10	984241	5/8" NC HEX NUT (BR)	1
11	81185	5/16" X 3/4" CARRIAGE BOLT (PL)	4
12	812362	5/16" LOCK NUT (PL)	4
13	81546	5/16" FLAT WASHER (PL)	8
14	81549	5/16" X 3/4" HEX BOLT (PL)	4
15	913355	ASSY-BELT GUARD COVER	1
16	927359	WELDT-CA MOVER BELT GUARD	1
17	812362	5/16" LOCK NUT (PL)	6
18	812363	3/8" LOCK NUT (PL)	4
19	812626	BOLT CARR 0.313NC X 1.00GR5PL	6
20	81528	1/4" X 1 1/4" HEX BOLT (PL)	2
21	81598	7/16" X 1 1/4" HEX BOLT (PL)	4
22	84498	1/4" LOCK NUT (PL)	2
23	86170	3/8" X 1" HEX BOLT GR.5 (PL)	4
24	86273	7/16" LOCK NUT (PL)	4
25	915245L	PLATE-ENGINE MOUNT PIVOT	2
26	924187L	PLATE-CA MOVER ENGINE PIVOT	1
27	924189L	PLATE-CA MOVER ENGINE PIVOT	2
28	930733L	PLATE-MOVER BELT PIVOT	1
29	930734	BRKT-ENGINE MOUNT	1
30	967164	DRIVE-IN GREASE ZERK	2

# ELECTRIC MOTOR TUBE MOUNT



ITEM	PART NUMBER	DESCRIPTION	QTY.
1	812363	3/8" LOCK NUT (PL)	10
2	812364	1/2" LOCK NUT (PL)	7
3	812624	1/4" FLAT WASHER PL	4
4	812639	WASHER 0.625 SAE FLAT BS PL	1
5	81525	1/4" X 3/4" HEX BOLT (PL)	4
6	81568	5/16" HEX NUT (PL)	2
7	81676	5/8" HEX NUT (PL)	1
8	84048	1/2" SAE FLAT WASHER (PL)	8
9	84277	1/2" X 1 1/2" HEX BOLT (PL)	7
10	84498	1/4" LOCK NUT (PL)	4
11	86170	3/8" X 1" HEX BOLT GR.5 (PL)	8
12	909747	WARNING DECAL - ROTATING HAZARD	1
13	931773	BRKT-GUARD MOUNT	1
14	931901	LATCH-SLOTTED	2
15	931913	BELT-2B83 - 8" MODELS	1
	931889	BELT-3B83 - 10" MODELS	1
16	931970	CUTOUT-MOTORTUBE MOUNT - 8" MODELS	1
	931971	CUTOUT-MOTORTUBE MOUNT - 10" MODELS	1
17	932879	WELDT-MOTOR SLIDE	1
18	932881	WELDT-MOTORTUBE MOUNT - 8" MODELS	1
	932870	WELDT-MOTORTUBE MOUNT - 10" MODELS	1
19	933851	WELDT-BELT GUARD ELECTRIC MOTOR	1
20	961383	GUARD HOLDER RING 4 1/2"OD	1
21	961567	12" DBL SHEAVE - 8" MODELS	1
	961187	12" TRIPLE SHEAVE W/ 1 1/2" BORE - 10" MODELS	1
22	967464	3/8" X 1 1/4" SQ HD SET SCREW (BR)	2
23	968811	1/4" SQ X 2" KEY - 8" MODELS	1
	967044	3/8" X 3/8" X 3 3/8" PULLEY KEY - 10" MODELS	1
24	972111	FULL THREAD BOLT 5/8" X 6" UNC GR 5	1
25	9812377	5/16" X 3/4" SQ HEAD SET SCR (PL)	2

# WINCH MECHANICAL

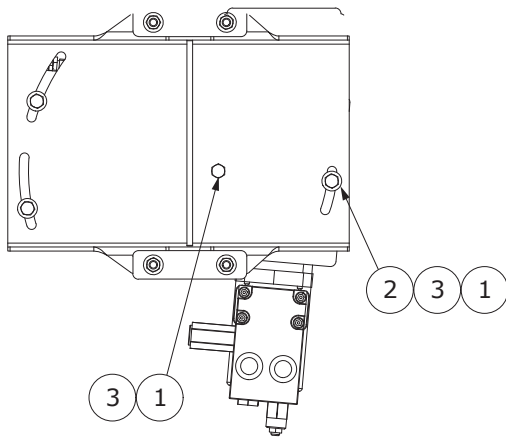
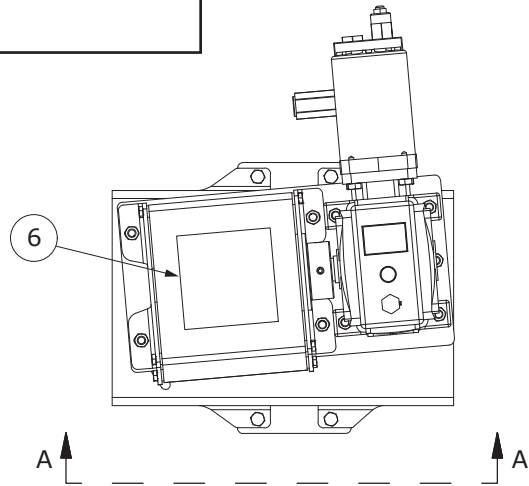
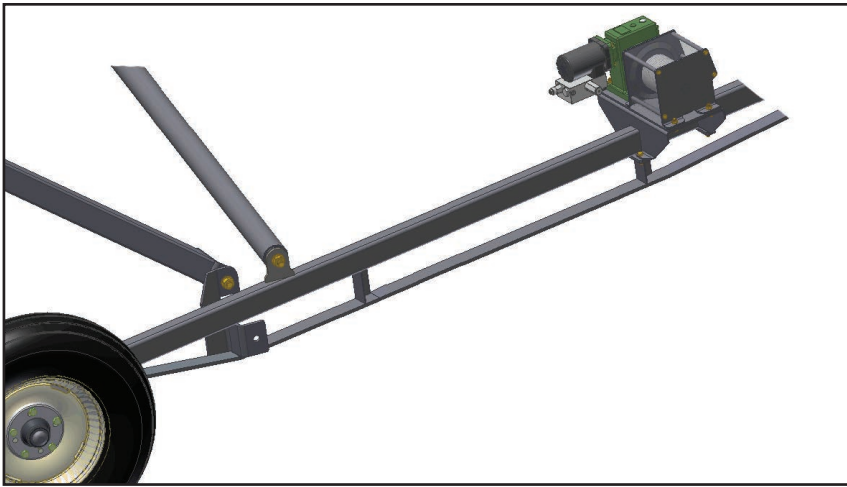


F1593

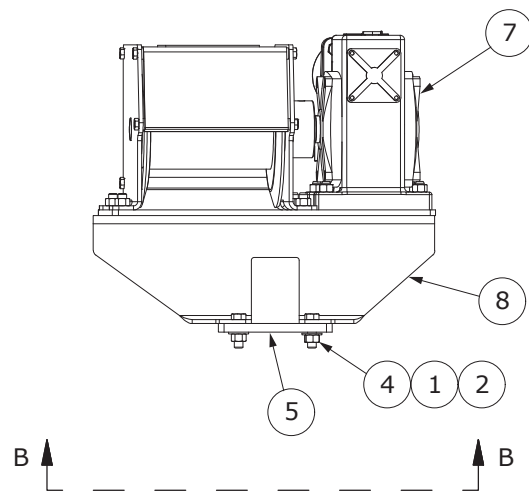


ITEM	PART NUMBER	DESCRIPTION	QTY.
1	812363	3/8" LOCK NUT (PL)	7
2	81914	3/8" X 1" CARRIAGE BOLT (PL)	3
3	84039	3/8" FLAT WASHER (PL)	7
4	86171	3/8" X 1 1/4" HEX BOLT (PL)	4
5	903401	WINCH BRACKET - 2" TUBE BRKT	1
	903413	WINCH BRACKET - 3" TUBE BRKT	1
6	903402	CONNECTOR PLATE - 2" TUBE BRKT	2
	903414	CONNECTOR PLATE - 3" TUBE BRKT	2
7	961945	K2550 WINCH ASSEMBLY	1

# WINCH HYDRAULIC



VIEW B-B

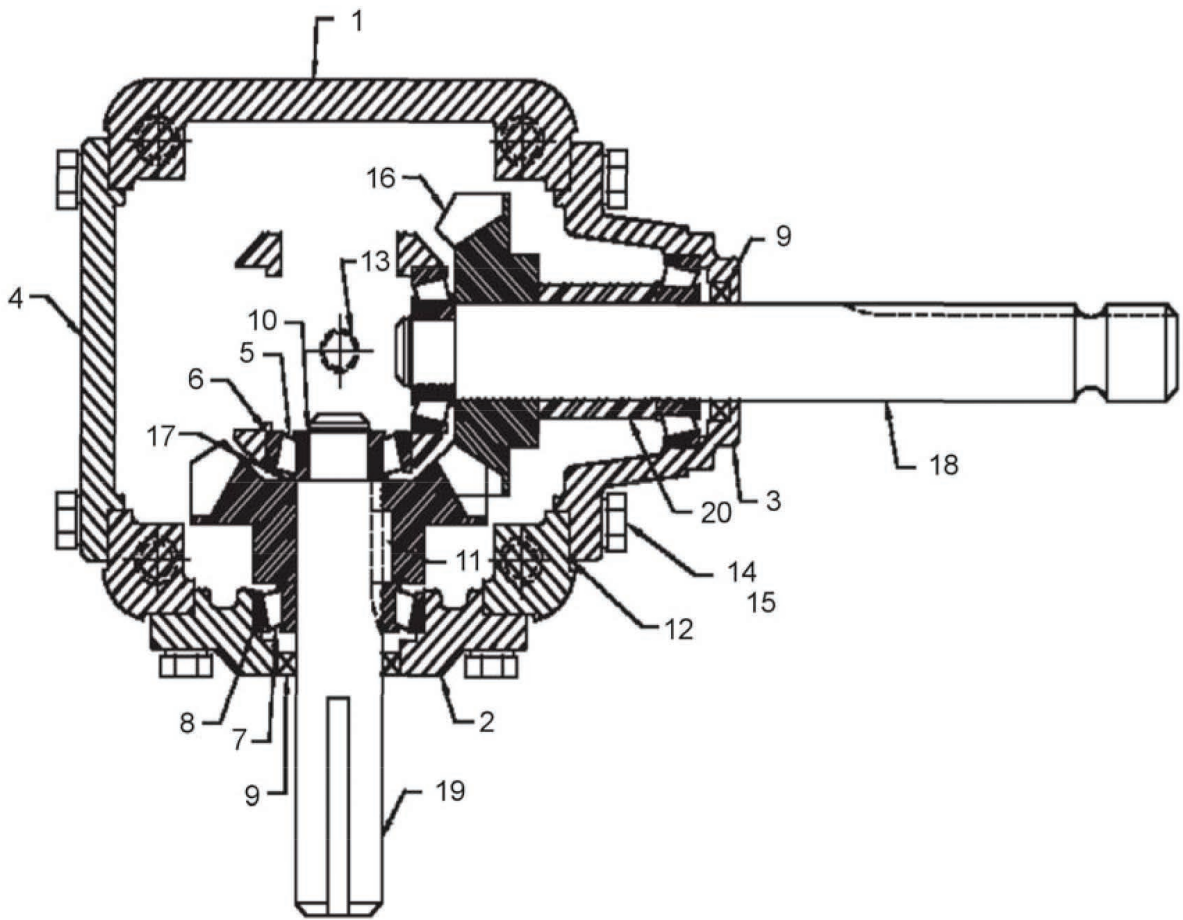


VIEW A-A

F1490

ITEM	PART NUMBER	DESCRIPTION	QTY.
1	812363	3/8" LOCK NUT (PL)	8
2	81570	WASHER - 3/8" STD FLAT (PL)	7
3	86170	3/8" X 1" HEX BOLT GR.5 (PL)	2
4	86171	3/8" X 1 1/4" HEX BOLT (PL)	6
5	903402	CONNECTOR PLATE - 2" MOUNT	2
	903414	CONNECTOR PLATE - 3" MOUNT	2
6	909747	WARNING DECAL - ROTATING HAZARD	1
7	917687	WINCH-FKW 3000 (STAR)	1
8	937018	WELDT-HYD WINCH MOUNT - 2" MOUNT	1
	917407	WELDT-HYD WINCH MOUNT - 3" MOUNT	1

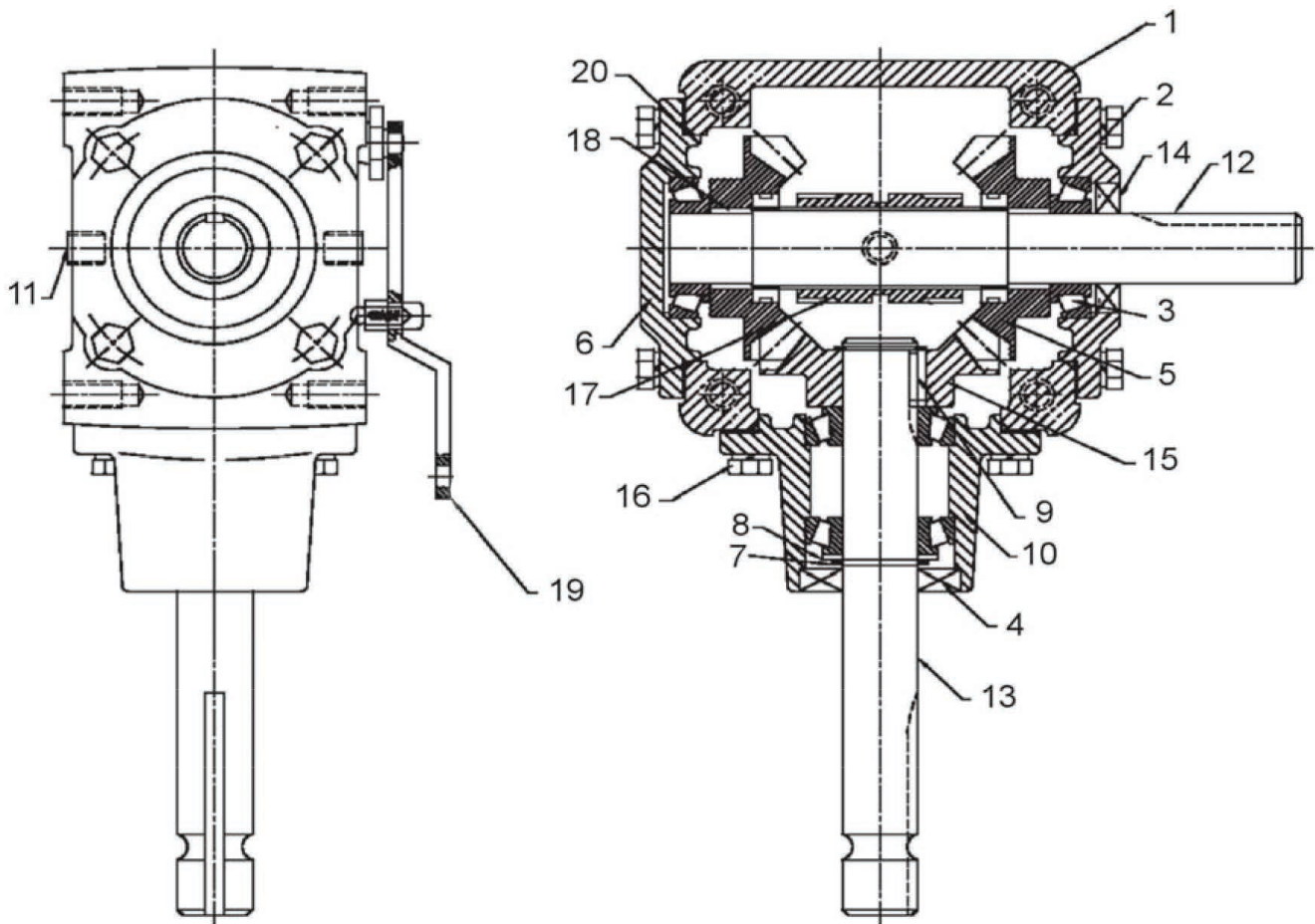
### GEARBOX - 841, 851, 861



961092

ITEM	PART NUMBER	DESCRIPTION	QTY.
1	961315	HOUSING 7"&8" CA GB - N/A	1
2	961316	BRG CAP GB7&8CA(985-06)	1
3	961317	BRG CAP 7"&8"CA GB (00&UP)	1
4	961318	COVER CAP 7"&8" CA GB) - N/A	1
5	93020	BRG CONE (LM11749) FM (PG)	1
6	93019	BRG CUP (LM11710) FM (PG)	1
7	SZ244643	BRG CONE - TIMKEN L44643	1
8	SZ244610	BRG CUP - TIMKEN L44610	1
9	961319	SEAL 7&8CA GB (985-14)	2
10	961320	RETAINER 7"&8"CA GB	1
11	961321	KEY 7&8CA GB (985-09)	1
12	961322	SHIM SET 7"&8"CA GB	-
13	960818	PLUG 9/16" GB	1
14	81549	BOLT HEX 0.313NC X 0.75GR5PL	1
15	81569	WASHER 0.313 LOCK PL	1
16	961323	GEAR 7"&8"CA GB	1
17	961324	SHIM 7"&8"CA GB	1
18	961325	SHFT 7"&8"CA GB	1
19	961326	SHFT 7"&8"CA GB	1
20	961327	SPACER 7"&8"CA GB	1
-	961092	GBOX ASSY (S-242510)	1

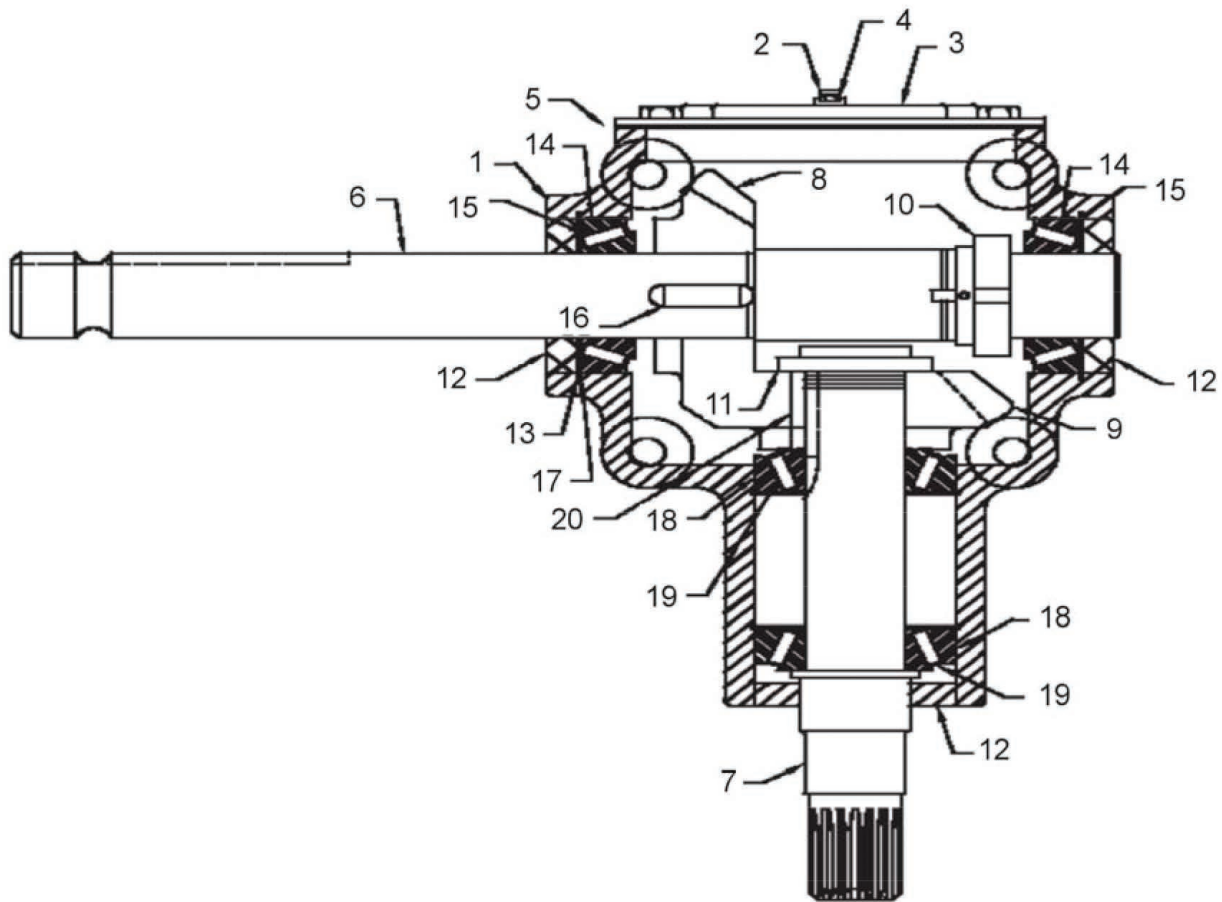
### GEARBOX SHIFTABLE - 841, 851, 861



961085

ITEM	PART NUMBER	DESCRIPTION	QTY.
1	906670	CASE (985-01) REV GBOX 7&8 CA	1
2	906671	END CAP (985-02) REV GBOX CA	1
3	SZ244610	BRG CUP - TIMKEN L44610	1
4	906673	SEAL (985-04) REV GBOX 7&8CA	1
5	906672	GEAR (985-05) REV GBOX 7&8 CA	1
6	961316	BRG CAP GB7&8CA(985-06)	1
7	906674	SNAP RING (985-07) REV GBOX CA	1
8	906675	SHIM (985-08) REV GBOX 7&8 CA	1
9	961321	KEY 7&8CA GB (985-09)	1
10	961085	GBOX REV SHIFT 7&8"CA (NOT8X61	1
11	906677	3/8" NPT SOLID PLUG(985-11) CA	1
12	906678	OUTPUT SHFT(985-12)REV GBOX CA	1
13	906679	INPUT SHFT(985-13) REV GBOX CA	1
14	961319	SEAL 7&8CA GB (985-14)	1
15	906680	INPUT GEAR(985-15) REV GBOX CA	1
16	906681	CAPSCREW 3/8" (985-16) REV GB	1
17	906682	GEAR DOG (985-17) REV GBOX 7&8 CA	1
18	906683	BRONZE BUSH (985-18) REV GBOX	1
19	906684	LEVER ASSY (985-19TO25) REV GB	1
20	907450	ORING (985-26) REV GBOX 7&8 CA	1
-	961085	GBOX REV SHIFT 7&8"CA	1

### GEARBOX - 1041, 1051, 1061

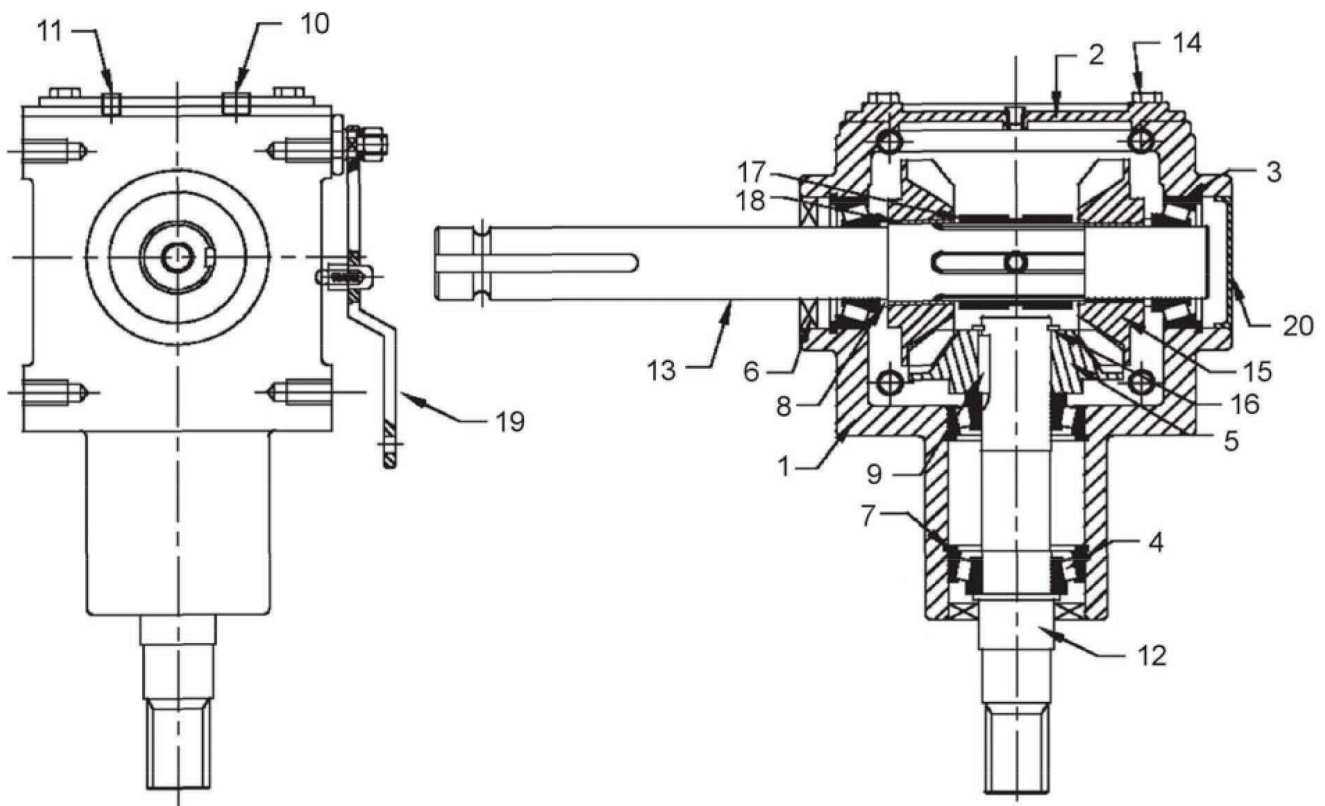


BU50510



ITEM	PART NUMBER	DESCRIPTION	QTY.
1	BU50310	CASTING GEAR BOX	1
2	BU500089-3	PLUG SQ HD 3/8 NPT STEEL (CUSTOM)	1
3	BU50457	GEAR BOX COVER	1
4	BU500167-1	VALVE RELIEF 1/8 NPTF	1
	926589	9/16 VENT PLUG	1
5	BU50458	GEAR BOX GASKETS	1
6	BU50509	CROSS SHAFT	1
7	BU50502	PINION SHAFT SPLINED-STRAIGHT	1
8	BU50329	GEAR BEVEL 1.5"B 17T C 149	1
9	BU50331	GEAR BEVEL 1.375"B 17T C 149	1
10	BU50428	STAKING LOCKNUT 1-5/8	1
11	BU50444	STAKING LOCKNUT 1-3/8	2
12	BU50422-1	OIL SEAL 2.72X1.50X0.37	3
13	BU50415	RING RETAINER EATON# IN-275	4
14	BU575902	BRG CUP (13620)	2
15	BU575901	BRG CONE (13687)	2
16	BU50429	KEY	1
17	BU50210X	SHIM KIT	1
18	BU575907	BRG CUP (14276)	2
19	BU575906	BRG CONE (14137A)	2
20	BU50417-1	KEY .38"SQX1.38" BA,CW,SB	N/A
-	BU50510	GBOX ASSY 10"CA	1

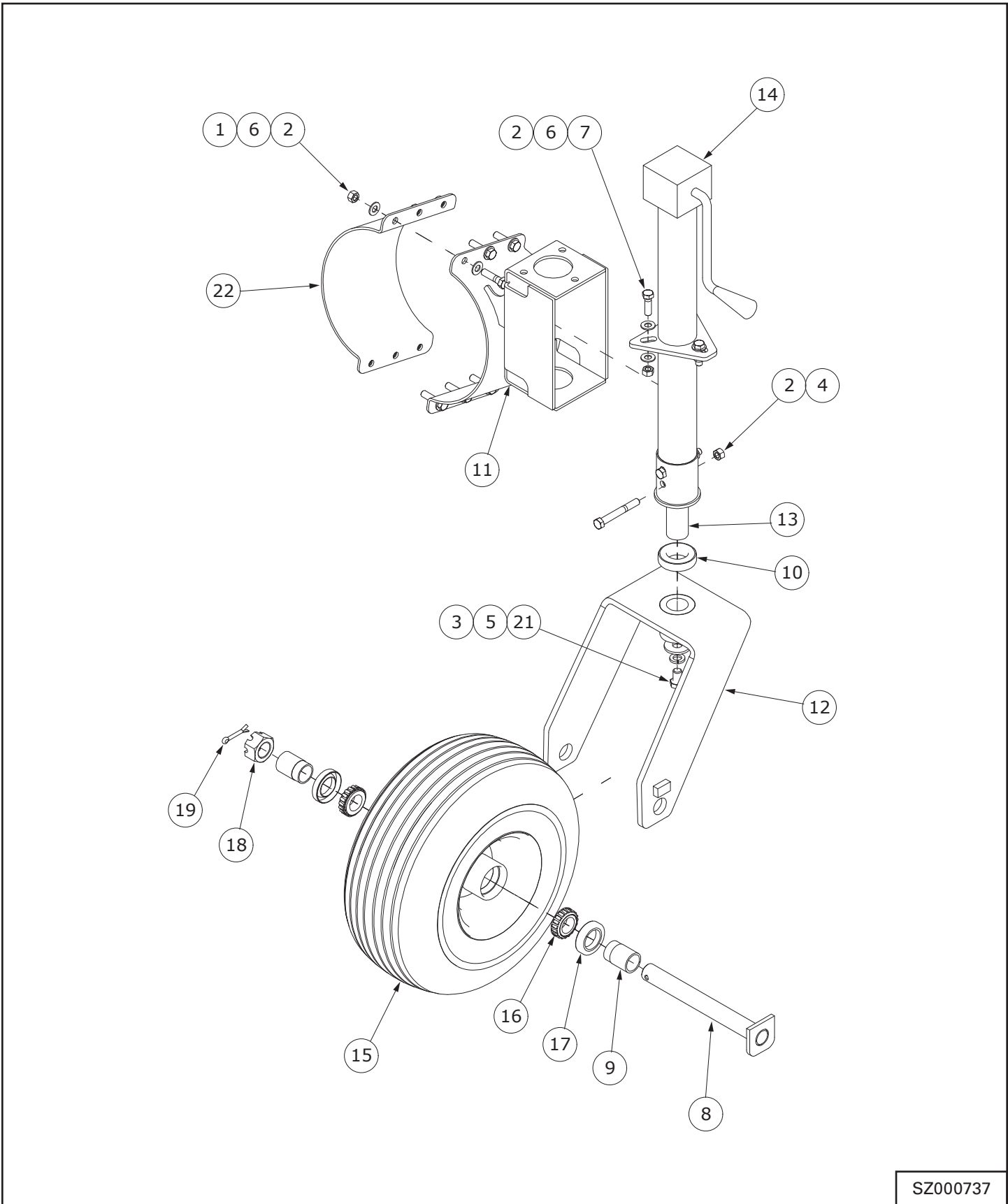
### GEARBOX SHIFTABLE - 1041, 1051, 1061



961086

ITEM	PART NUMBER	DESCRIPTION	QTY.
1	906690	CASE (986-01)REV GBOX CA	1
2	906691	END CAP (986-02)REV GBOX CA	1
3	906692	BRG 13620/13687 (986-03) CA	A/R
4	906693	BRG 14276/14137 (986-04) CA	A/R
5	906694	GEAR (986-05)REV GBOX CA	1
6	906695	SEAL (986-06)REV GBOX CA	A/R
7	906696	SNAP RING (986-07)REV GBOX CA	A/R
8	906697	SHIM (986-08)REV GBOX CA	A/R
9	906698	KEY (986-09) REV GBOX CA	1
10	906699	VENT PLUG (986-10) REV GBOX CA	1
11	906700	SOLID PLUG (986-11)REV GBOX CA	1
12	906701	OUTPUT SHFT(986-12)REV GBOX CA	1
13	906702	INPUT SHFT(986-13) REV GBOX CA	1
14	906703	BOLT 5/8" (986-14) REV GBOX CA	A/R
15	906704	GEARS (986-15) REV GBOX CA	A/R
16	906705	SNAP RING (986-16)REV GBOX CA	A/R
17	906706	GEAR DOG (986-17) REV GBOX CA	1
18	906707	BRONZE BUSH (986-18)REV GBOX	1
19	906708	LEVER ASSY (986-19TO26) REV GB	1
20	907453	STAMP CAP (986-27) REV GBOX CA	1
-	961086	GEARBOX REV SHIFT 8X61,10" CA	1

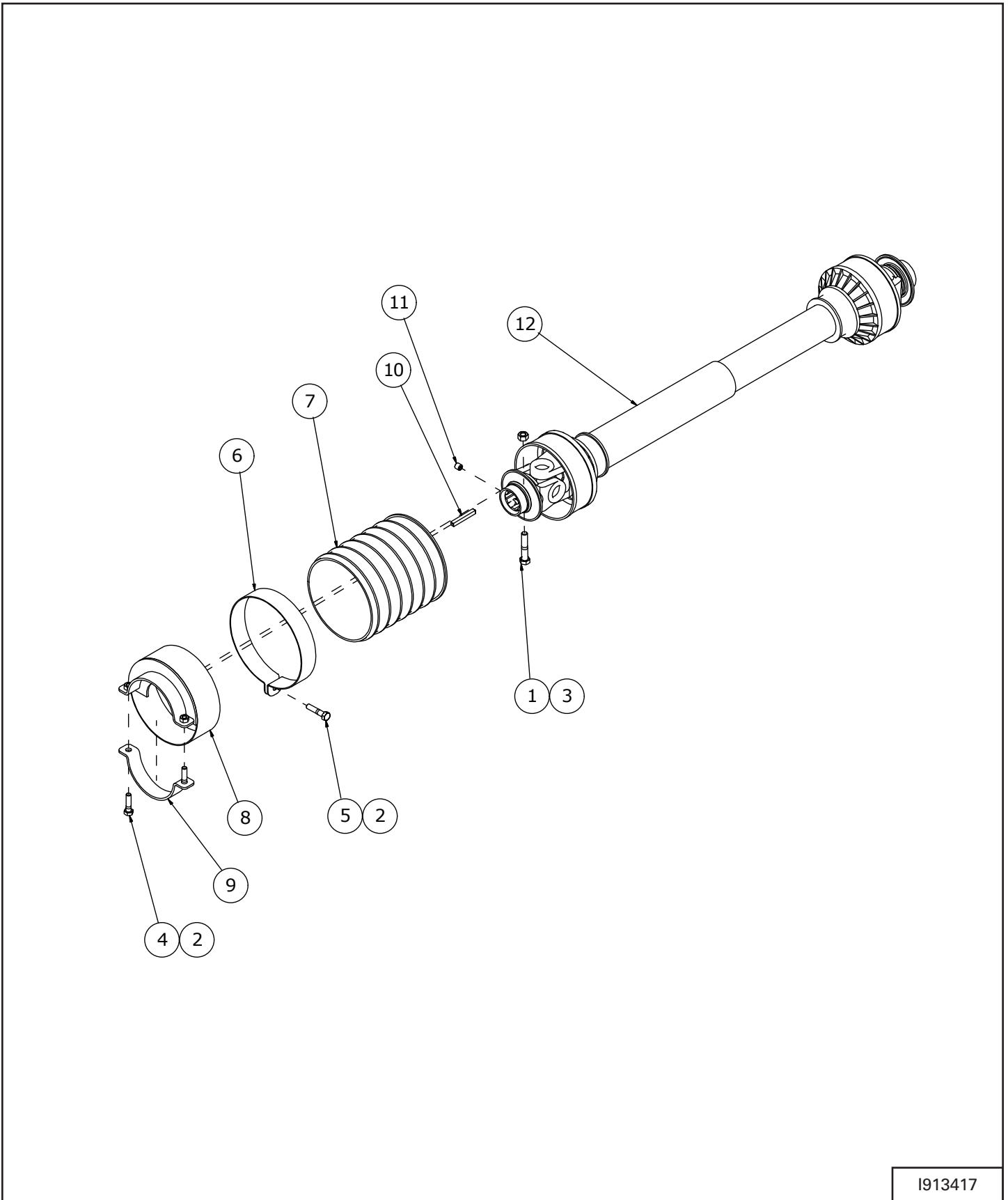
# JACK



SZ000737

ITEM	PART NUMBER	DESCRIPTION	QTY.
1	811792	3/8" X 1 1/2" HEX BOLT GR.5 (PL)	6
2	812363	3/8" LOCK NUT (PL)	11
3	812769	1 1/2"OD X 9/16"ID X 10GA WASHER (PL)	1
4	81583	3/8" X 3" HEX BOLT (PL)	2
5	81637	1/2" LOCK WASHER (PL)	1
6	84039	WASHER - 3/8" SAE FLAT (PL)	18
7	86171	3/8" X 1 1/4" HEX BOLT (PL)	3
8	902489	WHEELYOKE PIN WELDT 1.000" DIA	1
9	902505	WHEEL HEIGHT SPACER 1.250" DIA	2
10	910214	TAPERED BEARING T126	1
11	934570	WELDT - 8" JACK HALF-CLAMP MOUNT	1
	934623	WELDT - 10" JACK HALF-CLAMP MOUNT	1
12	934599	WELDT-WHEEL YOKE	1
13	934606	WELDT-CASTER PIVOT	1
14	934760	2000 LB JACK	1
15	966195	TIRE WITH WHEEL 15/600 X 6 X 4.4 WHL	1
16	966776	BEARING CONE (L44643)	2
17	967497	OIL SEAL - SE10	2
18	967498	SLOTTED HEX NUT 1-14 GRADE 5 ZP	1
19	9812433	3/16" X 1 1/2" COTTER PIN	1
20	SZ000761	40 X 17-7/8 X 9-1/4 ID BOX	1
21	SZ126088	BLT HHCS, 1/2" -13UNC 3/4" G5	1
22	SZ2038210	HALF CLAMP 8", 3-BOLT	1
	SZ992031210000	HALF CLAMP 10", 3-BOLT	1

**PTO & SHIELD - 8 IN.**



I913417

ITEM	PART NUMBER	DESCRIPTION	QTY.
1	811795	3/8" X 2" HEX BOLT (PL)	1
2	812362	5/16" LOCK NUT (PL)	3
3	812363	3/8" LOCK NUT (PL)	1
4	81552	5/16" X 1-1/4" HEX BOLT (PL)	2
5	81553	5/16" X 1-1/2" HEX BOLT (PL)	1
6	961200	GUARD CLAMP	1
7	961201	6"OD X 6-1/2" PTO GUARD	1
8	961202	PTO GUARD WELDT	1
9	961896	BELT GUARD CLAMP	1
10	968811	1/4" SQ X 2" KEY	1
11	988999	3/8" X 3/8" SOCKET SET SCREW (BR)	1
12	F0444	PTO SHAFT (1-3/8 - 6 SPLINE) 1" SHAFT	1





ITEM	PART NUMBER	DESCRIPTION	QTY.
1	812362	5/16" LOCK NUT (PL)	3
2	812364	1/2" LOCK NUT (PL)	1
3	81552	5/16" X 1-1/4" HEX BOLT (PL)	2
4	81553	5/16" X 1-1/2" HEX BOLT (PL)	1
5	81628	1/2" X 3-1/4" HEX BOLT (PL)	1
6	961200	GUARD CLAMP	1
7	961201	6"OD X 6-1/2" PTO GUARD	1
8	961202	PTO GUARD WELDT	1
9	961896	BELT GUARD CLAMP	1
10	965814	3/8" X 3/8" X 4-1/4" FAN SHFT KEY	1
11	988999	3/8" X 3/8" SOCKET SET SCREW (BR)	1
12	F0466	PTO SHAFT	1

# Farm King



## SPECIFICATIONS

PERFORMANCE.....	201
DIMENSIONS.....	201
BELT SIZES.....	202
HARDWARE TORQUE VALUES.....	203
Metric Chart.....	203
Imperial Chart.....	204
HYDRAULIC CONNECTION SPECIFICATIONS.....	205
O-Ring Fitting (Straight Thread).....	205
O-Ring Face Seal Connection.....	205
Flare Fitting.....	205
Port Seal (O-Ring Boss) Fitting.....	205
Tubelines And Hoses.....	205

# Farm King



**PERFORMANCE**

Model	CX841	CX851	CX861	CX1041	CX1051	CX1061
<b>Recommended HP</b>	16	20	24	28	32	38
<b>Capacity (bu/hr)</b>	-	-	-	4400	4400	4400
<b>Rim Size</b>	15"	15"	15"	15"	15"	15"
<b>Hub Type</b>	5 bolt	5 bolt	5 bolt	5 bolt	5 bolt	5 bolt
<b>Fuel Tank Capacity</b>	6.5 US gal	6.5 US gal	6.5 US gal	6.5 US gal	6.5 US gal	6.5 US gal

Capacity will vary with field conditions. Tested on wheat, - 12.5% moisture using CX1041 model.

Fuel/Oil tanks are supplied with gas engine configuration only.

**DIMENSIONS**

Model	CX841	CX851	CX861	CX1041	CX1051	CX1061
<b>Max Field Height</b>	27.7'	31.7'	39.5'	27.2'	31.2'	39'
<b>Field Width</b>	8.8'	10.1'	10.1'	8.8'	10.1'	10.1'
<b>Transport Width</b>	8.8'	10.1'	10.1'	8.8'	10.1'	10.1'
<b>Transport Height</b>	12.8'	14.6'	14.3'	13'	14.8'	14.4'
<b>Transport Length</b>	40.2'	50.1'	60.4'	40.1'	50'	60.3'

**Note:** Dimensions are approximate measurements.

**BELT SIZES**

Auger Model	Configuration				
	Manual or Electric Actuator	Electric Clutch	Electric Low Mount	Electric Tube Mount	PTO Belt
<b>841</b>	Double 924063 2B255	Double 924063 2B256	Double 924063 2B257	Double 931913 2B83	960565 B230 QTY 2
<b>851</b>	Double 924082 2B300	Double 924082 2B301	Double 924082 2B302	Double 931913 2B84	961002 B287 QTY 2
<b>1041</b>	Triple 919626 2B300	Double 924063 2B256	Triple 919626 2B302	Triple 931889 3B83	906565 B287 QTY 2
<b>1051</b>	Triple 919625 3B300	Double 924082 2B301	Triple 919625 3B300	Triple 931889 3B84	961002 B287 QTY 2
<b>1061</b>	Triple 919625 3B301	Double 924082 2B302	Triple 919625 3B301	Triple 931889 3B85	961002 B287 QTY 3

**NOTE:** 861 CX2 Augers are only equipped with a direct drive.

## HARDWARE TORQUE VALUES

### Metric Chart

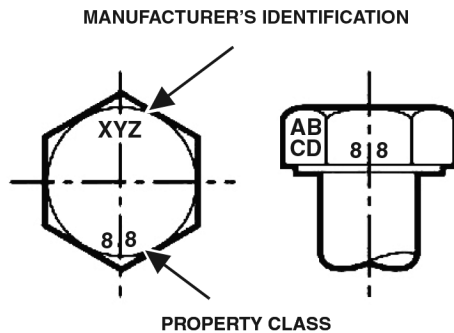
**NOTE: Do not use the values listed in the charts if a different torque value or tightening procedure is specified in this manual for a specific application. Torque values listed are for general use only.**

Use the following charts to determine the correct torque when checking, adjusting or replacing hardware. **Torque values are listed in newton-meters (inch\* or foot pounds) for normal assembly applications.**

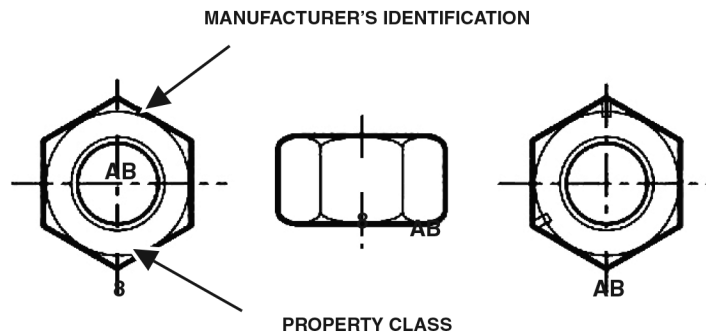
Nominal Size	Class 5.8		Class 8.8		Class 10.9		Lock nuts
	Unplated	Plated W / ZnCr	Unplated	Plated W / ZnCr	Unplated	Plated W / ZnCr	CL.8 w/ CL. 8.8 Bolt
M4	1.7 (15*)	2.2 (19*)	2.6 (23*)	3.4 (30*)	3.7 (33*)	4.8 (42*)	1.8 (16*)
M6	5.8 (51*)	7.6 (67*)	8.9 (79*)	12 (102*)	13 (115*)	17 (150*)	6.3 (56*)
M8	14 (124*)	18 (159*)	22 (195*)	28 (248*)	31 (274*)	40 (354*)	15 (133*)
M10	28 (21)	36 (27)	43 (32)	56 (41)	61 (45)	79 (58)	30 (22)
M12	49 (36)	63 (46)	75 (55)	97 (72)	107 (79)	138 (102)	53 (39)
M16	121 (89)	158 (117)	186 (137)	240 (177)	266 (196)	344 (254)	131 (97)
M20	237 (175)	307 (226)	375 (277)	485 (358)	519 (383)	671 (495)	265 (195)
M24	411 (303)	531 (392)	648 (478)	839 (619)	897 (662)	1160 (855)	458 (338)

**NOTE: Torque values shown with \* are inch pounds.**

### Identification of Hex Cap Screws and Carriage Bolts - Classes 5 and up



### Identification of Hex Nuts and Lock Nuts - Classes 5 and up



**Imperial Chart**

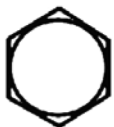
**NOTE: Do not use the values listed in the charts if a different torque value or tightening procedure is specified in this manual for a specific application. Torque values listed are for general use only.**

Use the following charts to determine the correct torque when checking, adjusting or replacing hardware. **Torque values are listed in newton-meters (inch\* or foot pounds) for normal assembly applications.**

Nominal Size	SAE Grade 5		SAE Grade 8		LOCK NUTS			
	Unplated or Plated Silver	Plated W / ZnCr Gold	Unplated or Plated Silver	Plated W / ZnCr Gold	Unplated or Plated Silver	Plated W / ZnCr Gold	Grade W / Gr. 5 Bolt	Grade W / Gr. 8 Bolt
1/4	6.2 (55*)	8.1 (72*)	9.7 (86*)	12.6 (112*)	13.6 (121*)	17.7 (157*)	6.9 (61*)	9.8 (86*)
5/16	13 (115*)	17 (149*)	20 (178*)	26 (229*)	28 (250*)	37 (324*)	14 (125*)	20 (176*)
3/8	23 (17)	30 (22)	35 (26)	46 (34)	50 (37)	65 (48)	26 (19)	35 (26)
7/16	37 (27)	47 (35)	57 (42)	73 (54)	80 (59)	104 (77)	41 (30)	57 (42)
1/2	57 (42)	73 (54)	87 (64)	113 (83)	123 (91)	159 (117)	61 (45)	88 (64)
9/16	81 (60)	104 (77)	125 (92)	163 (120)	176 (130)	229 (169)	88 (65)	125 (92)
5/8	112 (83)	145 (107)	174 (128)	224 (165)	244 (180)	316 (233)	122 (90)	172 (127)
3/4	198 (146)	256 (189)	306 (226)	397 (293)	432 (319)	560 (413)	217 (160)	306 (226)
7/8	193 (142)	248 (183)	495 (365)	641 (473)	698 (515)	904 (667)	350 (258)	494 (364)
1	289 (213)	373 (275)	742 (547)	960 (708)	1048 (773)	1356 (1000)	523 (386)	739 (545)

**NOTE: Torque values shown with \* are inch pounds.**

**Identification of Hex Cap Screws and Carriage Bolts**



SAE GRADE 2 BOLTS



SAE GRADE 5 BOLTS



SAE GRADE 8 BOLTS



SAE GRADE 2 NUTS

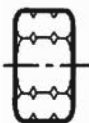


SAE GRADE 2 NUTS



SAE GRADE 2 NUTS

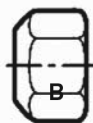
**Identification of Hex Nuts and Lock Nuts**



Grade A - No Notches

Grade B - One Circumferential Notch

Grade C - One Circumferential Notches



Grade A - No Mark

Grade B - Letter B

Grade C - Letter C



Grade A - No Marks

Grade B - Three Marks

Grade C - Six Marks

(Marks not always located at corners)



## HYDRAULIC CONNECTION SPECIFICATIONS

### O-Ring Fitting (Straight Thread)

Lubricate the O-ring before installing the fitting. Loosen the jam nut and install the fitting. Tighten the jam nut until the washer is tight against the surface.

### O-Ring Face Seal Connection

O-ring Face Seal Tightening Torque		
Tubeline O.D.	Thread Size	N•m (ft-lb)
1/4"	9/16" - 18	13 (18)
3/8"	11/16" - 16	22 (30)
1/2"	13/16" - 16	40 (54)
5/8"	1" - 14	60 (81)
3/4"	1-3/16" - 12	84 (114)
7/8"	1-3/16" - 12	98 (133)
1"	1-7/16" - 12	118 (160)
1-1/4"	1-11/16" - 12	154 (209)
1-1/2"	2" - 12	163 (221)

When the fitting is tightened, you can feel when the fitting is tight to eliminate leakage caused by under or over torqued fittings. Use petroleum jelly to hold the O-ring in position until the fittings are assembled.

### Flare Fitting

Flare Fitting Tightening Torque		
Tubeline O.D.	Thread Size	N • m (ft-lb)
1/4"	7/16" - 20	13 (18)
5/16"	1/2" - 20	17 (23)
3/8"	9/16" - 18	22 (30)
1/2"	3/4" - 16	40 (54)
5/8"	7/8" - 14	60 (81)
3/4"	1-1/16" - 12	84 (114)
7/8"	1-3/16" - 12	98 (133)
1"	1-5/16" - 12	118 (160)
1-1/4"	1-5/8" - 12	154 (209)
1-1/2"	1-7/8" - 12	163 (221)
2"	2-1/2" - 12	252 (342)

Tighten until the nut makes contact with the seat. Use the chart [Figure 57] to find the correct tightness needed.

### Port Seal (O-Ring Boss) Fitting

Port Seal And O-ring Boss Tightening Torque		
Tubeline O.D.	Thread Size	N•m (ft-lb)
1/4"	7/16" - 20	13 (18)
3/8"	9/16" - 18	22 (30)
1/2"	3/4" - 16	40 (54)
5/8"	7/8" - 14	60 (81)
3/4"	1-1/16" - 12	84 (114)
7/8"	1-3/16" - 12	98 (133)
1"	1-5/16" - 12	118 (160)
1-1/8"	1-7/16" - 12	154 (209)
1-1/4"	1-5/8" - 12	163 (221)

**Note:** Port seal and nut, washer and O-ring (O-ring Boss) fittings use the same tightening torque valve chart [Figure 58].

If a torque wrench cannot be used, use the following method.

Tighten the nut until it just makes metal to metal contact, you can feel the resistance.

Tighten the nut with a wrench no more than one hex flat maximum.

Do not over tighten the port seal fitting.

**Note:** If a torque wrench cannot be used, use the hex flat tightening method as an approximate guideline.

**Note:** Port seal fittings are not recommended in all applications. Use O-ring boss fittings in these applications.

### Tubelines And Hoses

Replace any tubelines that are bent or flattened. They will restrict flow, which will slow hydraulic action and cause heat.

Replace hoses which show signs of wear, damage or weather cracked rubber.

Always use two wrenches when loosening and tightening hose or tubeline fittings.

# Farm King



## WARRANTY

FARM KING BASE LIMITED WARRANTY.....	209
Repair Parts Limited Warranty.....	209
What Is Not Covered.....	209
Authorized Dealer And Labor Costs.....	209
Warranty Requirements.....	210

# Farm King



## **FARM KING BASE LIMITED WARRANTY**

Farm King provides this warranty only to original retail purchasers of its products. Farm King warrants to such purchasers that all Farm King manufactured parts and components used and serviced as provided for in the Operator's Manual shall be free from defects in materials and workmanship for a period following delivery to the original retail purchaser of two (2) years. This limited warranty applies only to those parts and components manufactured by Farm King. Parts and components manufactured by others are subject to their manufacturer's warranties, if any.

Farm King will fulfill this limited warranty by, at its option, repairing or replacing any covered part that is defective or is the result of improper workmanship, provided that the part is returned to Farm King within thirty (30) days of the date that such defect or improper workmanship is, or should have been, discovered. Parts must be returned through the selling representative and the buyer must prepay transportation charges.

Farm King will not be responsible for repairs or replacements that are necessitated, in whole or part, by the use of parts not manufactured by or obtained from Farm King. Under no circumstances are component parts warranted against normal wear and tear. There is no warranty on product pump seals, product pump bearings, rubber product hoses, pressure gauges, or other components that require replacement as part of normal maintenance.

### **Repair Parts Limited Warranty**

Farm King warrants genuine Farm King replacement parts purchased after the expiration of the Farm King Limited Warranty, and used and serviced as provided for in the Operator's Manual, to be free from defects in materials or workmanship for a period of thirty (30) days from the invoice date for the parts. Farm King will fulfill this limited warranty by, at its option, repairing or replacing any covered part that is defective or is the result of improper workmanship, provided that the part is returned to Farm King within thirty (30) days of the date that such defect or improper workmanship is, or should have been, discovered. Such parts must be shipped to the Farm King factory at the purchaser's expense.

### **What Is Not Covered**

Under no circumstances does this limited warranty cover any components or parts that have been subject to the following: negligence; alteration or modification not approved by Farm King; misuse; improper storage; lack of reasonable and proper maintenance, service, or repair; normal wear; damage from failure to follow operating instructions; accident; and/or repairs that have been made with parts other than those manufactured, supplied, and or authorized by Farm King.

### **Authorized Dealer And Labor Costs**

Repairs eligible for labor under this limited warranty must be made by Farm King or an authorized Farm King dealer. Farm King retains the exclusive discretion to determine whether it will pay labor costs for warranty repairs or replacements, and the amount of such costs that it will pay and the time in which the repairs will be made. If Farm King determines that it will pay labor costs for warranty work, it will do so by issuing a credit to the dealer's or distributor's account. Farm King will not approve or pay invoices sent for repairs that Farm King has not previously approved. Warranty service does not extend the original term of this limited warranty. Payment of labor costs will only be considered on repairs made to manufactured parts and components that have been found defective during a period of one (1) year following delivery to the original retail purchaser.

## **Warranty Requirements**

To be covered by warranty, each new product must be registered with Farm King within thirty (30) days of delivery to original retail purchaser. If the customer decides to purchase replacement components before the warranty disposition of such components is determined, Farm King will bill the customer for such components and then credit the replacement invoice for those components later determined to be covered by this limited warranty. Any such replacement components that are determined not be covered by this limited warranty will be subject to the terms of the invoice and shall be paid for by the purchaser.

### **EXCLUSIVE EFFECT OF WARRANTY AND LIMITATION OF LIABILITY**

TO THE EXTENT PERMITTED BY LAW, FARM KING DISCLAIMS ANY WARRANTIES, REPRESENTATIONS, OR PROMISES, EXPRESS OR IMPLIED, AS TO THE QUALITY, PERFORMANCE, OR FREEDOM FROM DEFECT OF THE COMPONENTS AND PARTS COVERED BY THIS WARRANTY AND NOT SPECIFICALLY PROVIDED FOR HEREIN.

TO THE EXTENT PERMITTED BY LAW, FARM KING DISCLAIMS ANY IMPLIED WARRANTIES OF MERCHANTABILITY AND FITNESS FOR A PARTICULAR PURPOSE ON ITS PRODUCTS COVERED HEREIN, AND DISCLAIMS ANY RELIANCE BY THE PURCHASER ON FARM KING'S SKILL OR JUDGMENT TO SELECT OR FURNISH GOODS FOR ANY PARTICULAR PURPOSE. THE PURCHASER'S ONLY AND EXCLUSIVE REMEDIES IN CONNECTION WITH THE BREACH OR PERFORMANCE OF ANY WARRANTY ON FARM KING'S PRODUCTS ARE THOSE SET FORTH HEREIN. IN NO EVENT SHALL FARM KING BE LIABLE FOR INCIDENTAL OR CONSEQUENTIAL DAMAGES (INCLUDING, BY WAY OF EXAMPLE ONLY AND NOT LIMITATION, LOSS OF CROPS, LOSS OF PROFITS OR REVENUE, OTHER COMMERCIAL LOSSES, INCONVENIENCE, OR COST OF REPLACEMENT OF RENTAL EQUIPMENT). IN NO EVENT SHALL FARM KING'S CONTRACT OR WARRANTY LIABILITY EXCEED THE PURCHASE PRICE OF THE PRODUCT. (Note that some states do not allow limitations on how long an implied warranty lasts or the exclusion or limitation of incidental or consequential damages, so the above limitations and exclusion may not apply to you.) This warranty gives you specific legal rights and you may also have other rights, which vary from state to state.

Farm King neither assumes nor authorizes any person or entity, including its selling representatives, to assume any other obligations or liability in connections with the sale of covered equipment, or to make any other warranties, representations, or promises, express or implied, as to the quality, performance, or freedom from defect of the components and parts covered herein. No one is authorized to alter, modify, or enlarge this limited warranty, or its exclusions, limitations and reservations.

Corrections of defects and improper workmanship in the manner, and for the applicable time periods, provided for herein shall constitute fulfillment of all responsibilities of Farm King to the purchaser, and Farm King shall not be liable in negligence, contract, or on any other basis with respect to the subject equipment.

This limited warranty is subject to any existing conditions of supply which may directly affect Farm King's ability to obtain materials or manufacturer replacement parts.

Buhler Industries Inc. reserves the right to make improvements in design or changes in specifications to its products at anytime, without incurring any obligation to owners of units previously sold.



[www.farm-king.com](http://www.farm-king.com)

# Farm King

301 Mountain Street South  
Morden, MB R6M 1X7  
E-mail: [info@buhler.com](mailto:info@buhler.com)  
[www.farm-king.com](http://www.farm-king.com)

Equipment shown is subject to change without notice.  
©2019 Buhler Trading Inc. Printed in Canada TSX: BUI