

# bühler

## farm king



**8" & 10" x 31'**  
**Conventional Augers**

Operator's and Parts Manual  
FK334

2009



**TABLE OF CONTENTS**

<b>DESCRIPTION</b>	<b>PAGE</b>
<b>WARRANTY</b> .....	1
<b>INTRODUCTION</b> .....	2
<b>SAFETY</b> .....	3
Safety .....	3
General Safety .....	4
Start Up Safety .....	4
Operation Safety .....	4
Transport Safety .....	5
Service and Maintenance Safety .....	5
Storage Safety .....	6
Safety Signs .....	6
Safety Sign Installation .....	6
<b>ASSEMBLY</b> .....	9
Assembly Instructions.....	9
<b>OPERATION</b> .....	14
Operating Instructions .....	14
Theory of Operation.....	16
<b>MAINTENANCE</b> .....	18
Storage.....	19
Bolt Torque.....	19
<b>PARTS DRAWINGS</b> .....	20
Tube Assembly Drawing.....	20
Tube Assembly Parts List.....	21
Undercarriage, Axle & Lift Arm Assembly Drawing.....	24
Undercarriage Parts List.....	25
Belt Drive PTO Assembly Drawing .....	27
Belt Drive PTO Assembly Parts List .....	28
Engine Drive Assembly Drawing .....	30
Engine Drive Assembly Parts List.....	31
Direct Drive Assembly Drawing .....	33
Direct Drive Assembly Parts List .....	34
Cable Assembly Drawing & Parts List .....	35
Clamp-on Motor Mount Drawing.....	36
Clamp-on Motor Mount Parts List.....	37
Clamp-on Motor Mount Kit Instructions .....	38

Winch #1550 Drawing .....	39
Winch #1550 Parts List.....	40
Winch #K2550 Drawing .....	41
Winch #K2550 Parts List .....	42
PTO Assembly Drawing .....	43
7" & 8" BD and DD PTO Assembly Parts List.....	44
10" & 13" BD PTO Assembly Parts List .....	45
10" & 13" DD PTO Assembly Parts List.....	46
8" & 10" Gearbox Drawing & Parts List.....	47
Reverse Gearbox Drawing #961085 .....	48
Reverse Gearbox Parts List #961085.....	49
10" x 31' Auger Gearbox Drawing & Parts List .....	50
Reverse Gearbox #961086 Drawing .....	51
Reverse Gearbox #961086 Parts List.....	52
<b>SHIPPING KIT AND BUNDLE NUMBERS .....</b>	<b>53</b>

## WARRANTY POLICY

Buhler Manufacturing products are warranted for a period of twelve (12) months (90 days for commercial application) from original date of purchase, by original purchaser, to be free from defects in material and workmanship under correct, normal agricultural use and proper applications.

Buhler Manufacturing's obligations under this warranty shall be limited to the repair or exchange, at Buhler Manufacturing's option, of any Buhler Manufacturing product or part which proves to be defective as provided. Buhler Manufacturing reserves the right to either inspect the product at the buyer's location or have it returned to the factory for inspection.

The above warranty does not extend to goods damaged or subject to accident, abuse or misuse after shipment from Buhler Manufacturing's factory, nor to goods altered or repaired by anyone other than an authorized Buhler Manufacturing representative.

Buhler Manufacturing makes no Express Warranties other than those which are specifically described. Any description of goods, including any references and specifications in catalogues, circulars and other written material published, is for the sole purpose of identifying goods and shall conform to such descriptions. Any sample or model is for illustrative purposes only and does not create an Express Warranty that the goods conform to sample or model shown.

The purchaser is solely responsible for determining suitability of goods sold. This warranty is expressly in lieu of all other warranties expressed or implied. Buhler Manufacturing will in no event be liable for any incidental or consequential damages whatsoever. Nor for any sum in excess of the price received for the goods for which liability is claimed.

### WARRANTY CLAIMS:

Warranty requests must be prepared on Buhler Manufacturing Warranty Claim Forms with all requested information properly completed. Warranty Claims must be submitted within a thirty (30) day period from date of failure repair.

### WARRANTY LABOR:

Any labor subject to warranty **must** be authorized by Buhler Manufacturing. The labor rate for replacing defective parts, where applicable, will be credited at 100% of the dealer's posted shop rate. Defective parts will receive an extra 10% discount to assist with freight or other incidental costs.

### GOVERNMENT LEGISLATION:

Warranty terms and conditions are subject to Provincial or State legislation.

### IMPORTANT FACTS:

Buckets and Bucket Tines Carry No Warranty  
Bent Spears Carry No Warranty  
Snowblower Fan Shafts Carry No Warranty  
Mower Blades Carry No Warranty  
Portable Auger Parts Have Two (2) Year Warranty  
Loader Parts Have Two (2) Year Warranty

**IMPORTANT NOTE: This warranty does not apply to rentals**

## INTRODUCTION

The Buhler Farm King conventional augers deliver numerous well-proven design features for more convenience, efficiency and safety. A longer bottom end below the gearbox allows the auger further into the bin.

These augers are well balanced for easy handling. A belt tightener and improved hinged belt-guards provide you with added convenience and an extra measure of safety. Beefy, wide-stance undercarriages and lift-systems with automotive-type hubs and bearings are all Buhler Farm King standards. Strength and stability come with square tube construction. Buhler Farm King gives you all the drive options:

- Direct PTO
- Belt Drive PTO
- Gas Engine Drive
- Electric Motor Drive (belt and direct)

All belt drive engine models have self-levelling motor mounts. Reliable safety clutch winches are used. The double flighting intake rotates in a brass bushing on all conventional auger intake guards. A new, narrow safety guard and removable clevis hitch allows for easier penetration into smaller openings. A storage bracket holds the clevis hitch when not needed. Sealed lubrication in the top drive assembly makes it resistant to heat, dust, debris and moisture. It also reduces maintenance requirements and adds to the longevity of the chain and sprockets.

Keep this manual handy for frequent reference. All new operators or owners must review the manual before using the equipment and at least annually thereafter. Contact your Buhler Dealer if you need assistance, information, or additional copies of the manual. Visit our website at [www.buhler.com](http://www.buhler.com) for a complete list of dealers in your area.

The directions left, right, front and rear, as mentioned throughout this manual, are as seen facing in the direction of travel of the implement.

## SAFETY INSTRUCTIONS

Remember, **YOU** are the key to safety. Good safety practices not only protect you, but also the people around you. Make these practices a working part of your safety program. Be certain that everyone operating this equipment is familiar with the recommended operating and maintenance procedures and follows all the safety precautions. Most accidents can be prevented. Do not risk injury or death by ignoring good safety practices.

The alert symbol is used throughout this manual. It indicates attention is required and identifies hazards. Follow the recommended precautions.



The safety alert symbol means...

**ATTENTION! BECOME ALERT! YOUR SAFETY IS INVOLVED!**



### **CAUTION**

The caution symbol indicates a potentially hazardous situation that, if not avoided, may result in minor or moderate injury. It may also be used to alert against unsafe practices.



### **WARNING**

The Warning Symbol indicates a potentially hazardous situation that, if not avoided, could result in death or serious injury, and includes hazards that are exposed when guards are removed. It may also be used to alert against unsafe practices.



### **DANGER**

The Danger Symbol indicates an imminently hazardous situation that, if not avoided will result in death or serious injury. This signal word is to be limited to the most extreme situations, typically for machine components that, for functional purposes, cannot be guarded.

## **GENERAL SAFETY INSTRUCTIONS**

Have a first-aid kit available for use and know how to use it.

Have a fire extinguisher available, stored in a highly visible location, and know how to use it.

Wear appropriate protective gear. This list may include but is not limited to:

- Hard hat
- Protective shoes with slip resistant soles
- Protective glasses or goggles
- Heavy gloves
- Wet weather gear
- Hearing protection
- Respirator or filter mask

Read and understand the Operator's Manual and all safety signs before operating, servicing, adjusting, repairing, or unplugging the equipment.

Do not attempt any unauthorized modifications to your Bühler product as this could affect function or safety, and could affect the life of the equipment.

Inspect and clean the working area before operating.

Keep hands, feet, clothing, and hair away from moving parts.

Ensure bystanders are clear of the area before operating.

## **START-UP SAFETY**

Do not let inexperienced operators or children run this equipment.

Place all tractor and machine controls in neutral before starting.

Operate only with ROPS and seatbelt equipped tractors.

Do not operate inside a building unless there is adequate ventilation.

Ensure all shields are in place and in good condition before operating.

Stay clear of PTO shaft and machine when engaging PTO.

The auger must be on a level surface and wheels free to move when raising or lowering.

Everyone should be kept clear during these operations.

Make certain electric motors are grounded.

## **OPERATION SAFETY**

Do not permit riders.

Do not wear loose fitting clothing during operation.

Empty the auger before moving to prevent upending.

Do not allow anyone other than the operator close to the Auger when in operation.

Never stand under the auger while raising or lowering.

When filling tall bins, tanks, or granaries, it is advisable to anchor the auger to the bin or building to prevent it from being tipped over by the wind or a sudden movement.

Never operate a Conventional Auger with the intake end off the ground.

Never operate over 540 PTO rpm speed.

Never raise the intake end of the auger above waist high, as the balance shifts forward, and the auger will tip over.

Stay away from overhead obstructions and power lines during operation and transporting.

Electrocution can occur without direct contact.



## **TRANSPORT SAFETY**

Review Transport Safety instructions in tractor manual before moving.

Check with local authorities regarding transport on public roads. Obey all applicable laws and regulations.

Do not tow equipment that does not have brakes at speeds over 32km/h (20 mph).

Do not tow equipment that does not have brakes that, when fully loaded, has a mass (weight) over 1.5 t (3300 lb) and more than 1.5 times the mass (weight) of the towing unit. Make sure the SMV (Slow Moving Vehicle) emblem and all the lights and reflectors that are required by the local highway and transport authorities are in place, are clean, and can be seen clearly by all overtaking and oncoming traffic.

Never have the equipment in operation during transport.

Always transport the Conventional Auger in the down position, carrying the weight of the auger on the winch cable and not on the track stops.

Take extreme caution in maneuvering on or around tight corners so as not to catch the end of the auger on trees, buildings, power lines, etc.

The equipment should never be towed without the safety chain securely attached to the auger and the towing vehicle.

When moving the auger on the road, always use a red flag, or if absolutely necessary to move at night, accessory lights for adequate warning to operators of other vehicles.

Always travel at a safe speed.

Inflate transport tires to recommended pressure.

## **SERVICE AND MAINTENANCE SAFETY**

Stop engine, set brake, remove ignition key, and wait for all moving parts to stop before servicing, adjusting, repairing, or unplugging.

Support the equipment with blocks or safety stands before working beneath it.

Follow good shop practices including

- Keep service area clean and dry
- Be sure electrical outlets and tools are properly grounded
- Use adequate light for the job

Use only tools, jacks, and hoists of sufficient capacity for the job.

Replace and secure all shields removed during servicing before operating.

Use heavy leather gloves to handle sharp objects.

Failure to follow proper procedures when mounting a tire on a wheel or rim can produce an explosion, which may result in serious injury or death.

### **STORAGE SAFETY**

Store the unit in an area away from human activity.

Do not permit children to play on or around the stored machine.

Support the frame on stands and blocks to provide a secure base.

When storing an auger, park it on level ground so that the bottom end will never be over its center of gravity.

Block the wheels of the auger so that the auger will not move.

When storing the auger, the intake end should be tied or weighted to prevent tipping.

### **SAFETY SIGNS**

The following illustration shows the approximate location and detail of safety signs. Keep all safety signs clean and legible and replace any that are damaged or missing. When original parts are replaced, any safety signs affixed to those parts should be replaced as well. Replacement safety signs are available from your local dealer.

### **INSTALLATION OF SAFETY SIGNS**

To install safety signs, ensure the installation area is clean and dry. Decide on the exact position before you remove the backing paper. Remove the smallest portion of the split backing paper and align over the specified area. Carefully press in place. Slowly peel back the remaining paper and smooth the remaining portion in place. Small air pockets can be pierced with a pin and smoothed out.

SAFETY SIGNS



CA-18



#1

Replace safety signs immediately should they become damaged, torn or illegible. Obtain replacements from your authorized dealer using the part numbers shown.

**SAFETY SIGNS – cont'd.**

**! CAUTION**

1. Do not operate the unit before reading and understanding the Operator's Manual.
2. Keep all safety devices in place.
3. Keep off of the equipment at all times.
4. Keep hands, feet, and clothing away from moving parts while in operation.
5. Make certain everyone is clear of the equipment before applying power or moving the machine.
6. Do not adjust, service, lubricate, clean, unclog, or move the mechanism until all power is shut off.
7. While in operation, always support the discharge end or provide adequate anchorage of the intake end to prevent sudden tipping.
8. Disconnect power of electrical driven units before resetting motor over loads.
9. To avoid tipping, make sure auger is empty before attempting to move.
10. Keep wheels of undercarriage level and on firm ground.
11. Lower unit to the recommended transport position before transporting.
12. Do not operate electric motor equipped units until they are properly grounded.
13. Keep children, visitors, and all untrained personnel away from machine while in operation.
14. Lower auger when moving close to overhead power lines.

961017

#2

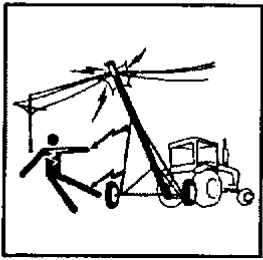
**IMPORTANT**

**RUN AUGER  
PARTIALLY FULL  
UNTIL FLIGHTING  
BECOMES POLISHED**

961015

#3

**! DANGER**



**ELECTROCUTION HAZARD  
KEEP AWAY FROM POWER LINES  
TO PREVENT SERIOUS INJURY OR  
DEATH FROM ELECTROCUTION:**

1. STAY WELL AWAY FROM POWER LINES. ELECTROCUTION CAN OCCUR WITHOUT DIRECT CONTACT.
2. LOWER UNIT WELL BELOW LEVEL OF POWER LINE BEFORE MOVING OR TRANSPORTING.

965745

#4

**! DANGER**

**BEFORE LOADING GRAIN**

**HITCH MUST BE SECURELY FASTENED TO  
TRACTOR DRAWBAR CLEVIS TO PREVENT  
UPENDING AS LAST PART OF PRODUCT  
MOVES TO UPPER END OF THE AUGER**

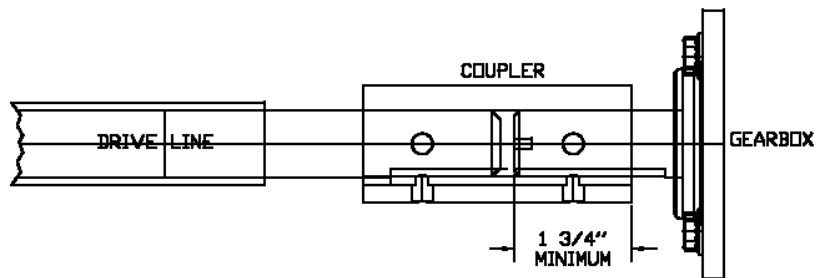
960569

#5

**ASSEMBLY INSTRUCTIONS**

1. Page 20: Bolt the intake guard (#10) to the bottom of the auger using 3/8" x 2" hex bolts, lock washers and hex nut.
2. Page 20: **8" x 31' only:** The gearbox is shipped without oil. Before you mount the gearbox on the auger, remove the top plug and fill about 1/3 full of SAE80-90 oil. The gearbox may be used on either the left or the right side. Connect the gearbox to the driveline with a coupler (#23) using a 1/4" x 1/4" x 3 1/2" key and 3/8" x 3/8" socket set screws. Bolt the gearbox to the mounting plate on the tube using 3/8" x 3/4" hex bolts and lock washers.

**▲ ALERT:** The pinion shaft of the gearbox should protrude into the 4" coupler at least 1 3/4" as shown in diagram.



CA-02

Bolt the gearbox plate (#18) to the top of the gearbox with the ring on the drive side. The extension shield holder (#17) bolts on top of the plate with the welded bolt turned towards the top of the auger. Use the same hardware as for the gearbox.

**10" x 31' ONLY:** The gearbox is shipped without oil. Before you mount the gearbox on the auger, remove the lid and fill the gearbox about 1/3 full with SAE80-90 oil (oil should just be touching the bottom of the gears, do not overfill). Use gasket glue when replacing the cover to reduce the chance of leaks. The gearbox may be used on either the left or the right side. Check to see that the breather plug on the gearbox lid will be on the top and the drain plug will be at the bottom when the gearbox is bolted to the auger. Connect the gearbox to the splined coupler on the drive line and bolt on the gearbox using 1/2" x 1" hex bolts and lock washers. Bolt the gearbox plate (#18) to the top of the gearbox with the ring on the drive side. The extension shield holder (#17) bolts on top of the plate with the welded bolt turned towards the top of the auger. Use the same hardware as for the gearbox.

3. Page 24: Mount the two undercarriage arms (#1) and (#2) to the pivot pin under the welded gearbox mount using 1 1/2" washers (#7) and 5/16" x 2 1/4" cotter pins (#8). Bolt the undercarriage arms to the axle (#4) using 1/2" x 3 1/4" bolts, lock washers and hex nuts. Slide the track roller assembly (#44) onto the track with the larger roller turned to the bottom of the auger. Bolt the lift arm extension (#6) to the track roller using 1/2" x 4 1/2" bolts and lock nuts for the 7" & 8" and 5/8" x 6" bolts for the 10". Bolt the lift arm extension to the top of the lift arms (#5). Use 1/2" x 4" bolts, lock washers and hex nuts for the 8" and 5/8" x 4 1/2" for the 10". Bolt the track stops (#25) (Page 20) to the top and 6" from the bottom of the track. Use 5/16" x 1" hex bolts, lock washers and hex nuts for 8" and 3/8" x 1" for the 10".

**ASSEMBLY INSTRUCTIONS – cont'd.**

The cable anchor (#24) (Page 20) bolts to the very bottom of the track using the same hardware. The top end of the assembled lift arm bolts to the track roller using 1/2" x 4 1/2" bolts and lock nuts for the 8" and 5/8" x 6" bolts for the 10".

**WARNING:** The bottom of the lift arms bolt to the inside of the welded axle brackets using 5/8" x 1 1/2" bolts and lock nuts.

The two cross tubes (#3 and #53) bolt to the undercarriage and axle using 1/2" x 3" and 1/2" x 1 1/2" bolts.

4. Page 24: Bolt the winch mounting plate (#36) to the undercarriage arms using 3/8" x 2 3/4" bolts, lock washers and hex nuts. Fit the slots in the winch bracket onto the right hand cross tube and slide against the welded stop. The slots in the winch bracket at 90° to the cross tube are turned up. Bolt in place using two connector plates and 3/8" x 1 1/4" hex bolts, lock washers and hex nuts. Bolt the winch (#37) to the winch plate 3/8" x 1" hex bolts, lock washers and hex nuts. Flat washers are supplied for bolts which go through slotted holes.
5. Page 24: Bolt the swivel pulley holder (#39) to loops at the top and inside of the undercarriage using 5/16" x 2" hex bolts, lock washers and hex nuts. The pulley holder is offset on the shaft. Turn so the pulley is offset to the side opposite the drive.
6. Page 35: Thread the cable (#1) as shown in the drawing, one end is clamped to the cable anchor at the bottom of the track assembly and the other end to the winch spool using the clamps provided.
7. Page 24: A clevis holder (#48) bolts to the top end of one undercarriage arm using a 3/8" x 8" bolt, lock washer and hex nut. This holder is used as a place to leave the intake swivel clevis when it is removed prior to inserting the auger in a bin.
8. Page 24: Mount the wheels (#35) and tires on the axle using 1/2" wheel bolts and torque bolts to 80 ft./lbs. (108 N-m).

**PTO BELT DRIVE AUGERS: Page 27:**

9. a) Install the hanger (#45) between the welded brackets near the bottom of the undercarriage using the 1" shaft (#46) and two 1/4" x 1 1/2" cotter pins. Turn as shown in drawing.
- b) Bolt the PTO mount assembly (#27) to the hanger using 1/2" x 1 1/4" hex bolts, lock washers and hex nuts.
- c) Bolt the guard plate (#2) to the back of the sheave guard (#38) using 1/4" x 1/2" bolts, lock washers and hex nuts. Slide onto the welded ring on the PTO mount (#27). The guard is held on by a ring (#56) with two 5/16" x 3/4" set screws and hex nuts. Hinge on guard must be up.
- d) Attach the 12" sheave (#8) to the arbor shaft (#28) using a 1/4" key (8" – 2"; 10" – 3 3/8") and set screws.

**ASSEMBLY INSTRUCTIONS – cont'd.**

- e) A 13 3/4" pivot arm (#39) bolts to the inside of the guard with a 3/8" x 1" hex bolt and lock nut and to the undercarriage with a 3/8" x 2 3/4" hex bolt and lock nut. Turn as shown in drawing.
- f) Bolt a guard plate (#2) to the 6" guard (#1). Attach to the welded ring on the gearbox plate. The guard is held on by a ring (#56) mounted as in step C. Hinge on guard must be up.
- g) Bolt the 9" long guard pivot arm (#4) to the back of the guard using 5/16" x 3/4" hex bolts, lock washers and hex nuts. A 10 3/4" pivot arm (#5) bolts to the end of the 9" arm and to the undercarriage. Turn arm as shown in drawing.
- h) Mount the 6" sheave (#6) on the gearbox. Fasten with a key (8"-1/4"; 10"-3/8") and set screws.
- i) Align the sheaves with the tube and mount the belts (#55).
- j) Bolt the belt tightener brackets (#40) under the gearbox with the bevel to the intake end using 3/8" bolts (8"-2 3/4"; 10"-3"), lock washers and hex nuts. The outer tightener tube (#41) bolts to the brackets using 1/2" bolts (8"-2 3/4"; 10"-3") and lock nuts. The inner tightener tube (#42) slides into the outer and bolts to the bottom of the hanger (#45) using 1/2" x 3" bolt and lock nut. Tension belts and hold in place using the set screw in the outer rod.
- k) Bolt a guard plate (#3) on the outside of the 6" guard (#1) to cover the opening using 1/4" x 1/2" hex bolts, lock washers and hex nuts. Bolt the guard mount (#31) to the outside of the 12" guard with the same size of hardware. Slide the flexible PTO guard (#32) and the guard clamp (#33) onto the PTO shaft. Attach the PTO shaft using 1/4" key, set screws and clamp bolt. Securely tighten set screws and clamp bolt. After mounting the PTO, clamp on the flexible PTO guard using a 5/16" x 1 1/2" hex bolt, lock washer and hex nut.
- l) Bolt the PTO cradle (#49) & (#50) onto the lift arms for transport position. A pin in the cradle keeps the PTO shaft from falling out during transport.
- m) When belts and sheaves are aligned, bolt the bottom edges of both guards together using 1/4" x 1/2" hex bolts, lock washers and hex nuts.

**ENGINE BELT DRIVE AUGERS: Page 30**

- 10. a) Install the hanger (#29) between the welded brackets near the bottom of the undercarriage using the 1" shaft (#18) and two 1/4" x 1 1/2" cotter pins. Turn as shown in drawing.
- b) The motor mount (#33) should be installed so the handle is toward the axle. Use 1/2" x 1 1/4" hex bolts, lock washers and hex nuts.
- c) The motor mount spacer (#37) and the guard mount (#38) fit under the motor base and are bolted on together with the gas motor. The ring on the guard mount with the gas motor. The ring on the guard mount is used to clamp on the guard for the motor sheave.
- d) Bolt the guard plate (#2) to the back of the 12" belt guard (#1) using 1/4" x 1/2" bolts, lock washers and hex nuts. Slide onto the welded ring on the gearbox plate. The guard is held on by a ring (#42) with two 5/16" x 3/4" set screws and hex nuts. Hinge on guard must be up.

**ASSEMBLY INSTRUCTIONS – cont'd.**

- e) Mount the 12" sheave #4 on the gearbox using a key (8"-1/4"; 10"-3/8") and set screws.
  - f) A 10 3/4" pivot arm (#5) bolts to the inside of the guard with a 3/8" x 1" hex bolt and lock nut and to the undercarriage with a 3/8" x 2 3/4" hex bolt and lock nut. Turn as shown in drawing.
  - g) Bolt the clamp plate (#13) to the back of the engine pulley guard. Turn as shown in drawing. Clamp the guard to the welded ring on the guard mount (#38) using 5/16" x 1 1/4" hex bolts, lock washers and hex nuts. Hinge on guard must be up.
  - h) Mount the engine sheave (#39) on the gas engine. This sheave must be supplied by the customer.
  - i) Align the sheaves with the tube and mount the belts (#40).
  - j) Bolt the belt tightener brackets under the gearbox with the bevel to the intake end using 3/8" bolts (8"-2 3/4"; 10"-3") and lock nuts. The outer tightener tube (#20) bolts to the brackets using 1/2" bolts (8"-2 3/4"; 10"-3") and lock nuts. The inner tightener tube (#21) slides into the outer and bolts to the bottom of the hanger (#29) using 1/2" x 3" bolt and lock nut. Tension belts and hold in place using the set screw in the outer rod.
  - k) Bolt a guard plate (#3) on the outside of both guards to cover the opening using 1/4" x 1/2" hex bolts, lock washers and hex nuts.
  - l) The quick release on the motor mount (#33) is used when starting the engine and to stop the auger without shutting off the engine.
  - m) When belts and sheaves are aligned, bolt the bottom edges of both guards together using 1/4" x 1/2" hex bolts, lock washers and hex nuts.
11. **DIRECT DRIVE AUGERS:** Page 33
- a) Bolt the PTO hanger (#9) to the welded bracket on the tube using 3/8" x 1" hex bolts, lock washers and hex nuts. A pin (#7) holds the PTO in place during transport.
  - b) Mount the PTO guard holder (#14) to the welded ring on the gearbox plate using a 4" I.D. clamp (#15) with 5/16" x 1 1/4" hex bolts, lock washers and hex nuts.
  - c) Slide the flexible PTO guard (#2) and the guard clamp (#3) onto the PTO shaft. Attach the PTO shaft using a key (8"-1/4"; 10"-3/8"), set screws and clamp bolt. Securely tighten the set screws and clamp bolt. After mounting the PTO, clamp on the flexible PTO guard using a 5/16" x 1 1/4" hex bolt, lock washer and hex nuts.
12. Page 20: Attach the driveline shields (#5) starting at the top of the auger. The last drive line shield (#4) has a slotted hole at one end and is bolted to the shield holder (#17) using a 5/16" flat washer, lock washer and hex nut.



**ASSEMBLY INSTRUCTIONS – cont'd.**

13. Re-check and tighten all bolts. Of particular importance are:

 **ALERT**

- 1) Cable Clamps!!!
- 2) Bolts on track roller assembly.
- 3) Bolts on lift arm joining axle and extension tube.
- 4) Bolts joining undercarriage, cross tube and axle.
- 5) Gearbox mounting bolts.
- 6) Pulley set screws
- 7) All bolts on shields.
- 8) Wheel bolts
- 9) Set screws and clamp bolts holding on PTO shaft.

14. NOTE: 1) Gearbox is shipped without oil. Use 400 ml (13.5 oz.) of SAE 90.
- a. Do not exceed 600 rpm flighting speed when operating auger.
  - b. An external chain tightener is supplied with all augers.

 **ALERT**


- 1) High position: It is dangerous to move auger in raised position in vicinity of electrical lines.
- 2) Keep all shields and guards in place.
- 3) Turn off power when servicing or unplugging auger.
- 4) Check that intake guard bolts are tight and that the swivel clevis pin has the hitch pin in place before transporting the auger.


## OPERATING INSTRUCTIONS

All augers may be elevated up to 45°; however, for best operating efficiency, 35° should not be exceeded. At angles over 35° the capacity and life of the auger decreases.

Never operate an empty auger for over one minute, as the flighting and housing will experience excessive wear.

To position the auger, always tow or move the auger in the down position to a point as close as possible to the bin or barn.


 **ALERT:** Always keep the wheels level. Raise the auger to the desired height and back the auger into position. As an auger is emptied the head becomes heavy, the tail becomes light, and the auger could tip.


 **ALERT:** Never place blocks under the wheels to increase the elevation of the auger.

Be sure the wheels are free to move and no one is standing close to the auger when raising or lowering. Never attempt to raise or lower the auger while it is in operation.

The auger is equipped with a safety brake winch. The auger may be raised or lowered by simply turning the winch handle in the proper direction until the desired discharge height is obtained.

Never have less than three wraps of cable on the drum of the winch.

 **ALERT:** Arrow on winch shows proper direction of rotation. Improper rotation may cause winch brake failure.


 **ALERT:** All wiring should be done by a competent electrical contractor to ensure the electric motor is receiving the correct voltage and the cable will carry the correct load.

The life of a motor is greatly reduced if it is run at too high or too low voltage. Also, a motor cannot develop full power if the cable is too small. The electrical supply to each motor should include an enclosed safety switch or circuit breaker of the correct size to protect the motor from being overloaded. The switch should be under a padlock to prevent the motor from being turned on by accident while working on or moving the auger. This will also prevent unauthorized people or children from operating the motor. A magnetic starter should be used to shut off the motor in case of low voltage, loss of power, or overloading the motor.


The electric motor must then be started manually.

**OPERATING INSTRUCTIONS – cont'd.**

Power take-off drives are designed for tractors with 540 PTO rpm and should not be run by tractors with 1000 PTO rpm.


 **ALERT:** Always check to see that both ends of the PTO shaft are securely attached before using any PTO drive auger. This should always be done with the tractor shut off.


To ensure a long life from a PTO tumbler shaft, operate the shaft at the least angle possible and always keep the tractor axle parallel to the side of the auger housing.

 **ALERT:** Always maintain at least a 6" overlap on the tumbler shields. Be sure they turn freely and make certain everyone stands clear of the tractor, tumbler shaft, and auger before engaging PTO. Be sure ends are securely connected to the auger and tractor.

Before engaging PTO, start tractor and idle engine. Engage PTO slowly and bring up to recommended speed of 500 PTO rpm.

Before stopping auger (except in an emergency) let all grain empty out of the auger, idle engine then disengage PTO. Shut off tractor.

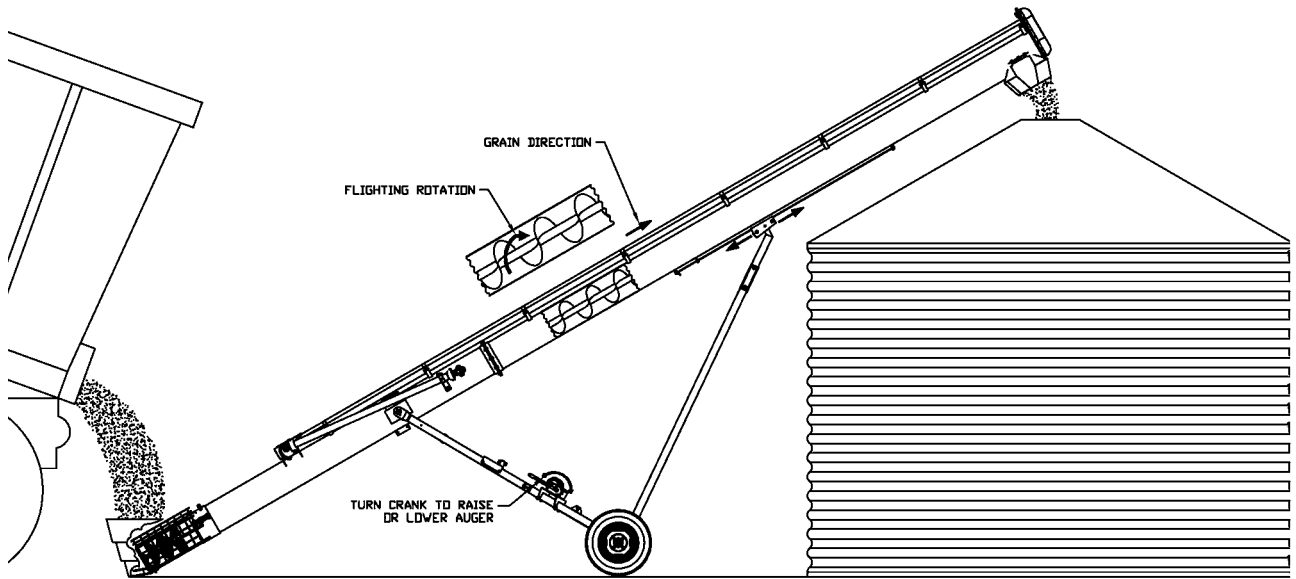
 **ALERT:** When operating an auger for the first time when new or at the beginning of a season, run only partially full until flighting becomes polished. It is always a good idea to check the flighting for freedom of movement by turning pulley or tumbler shaft by hand before connecting to a power source. Other items to check are the head (spout) and intake cage for bird nests or other obstructions before starting the auger.

 **ALERT:** Always lower auger before transporting and allow the weight of the auger to rest on the winch cable and not on the transport stops.

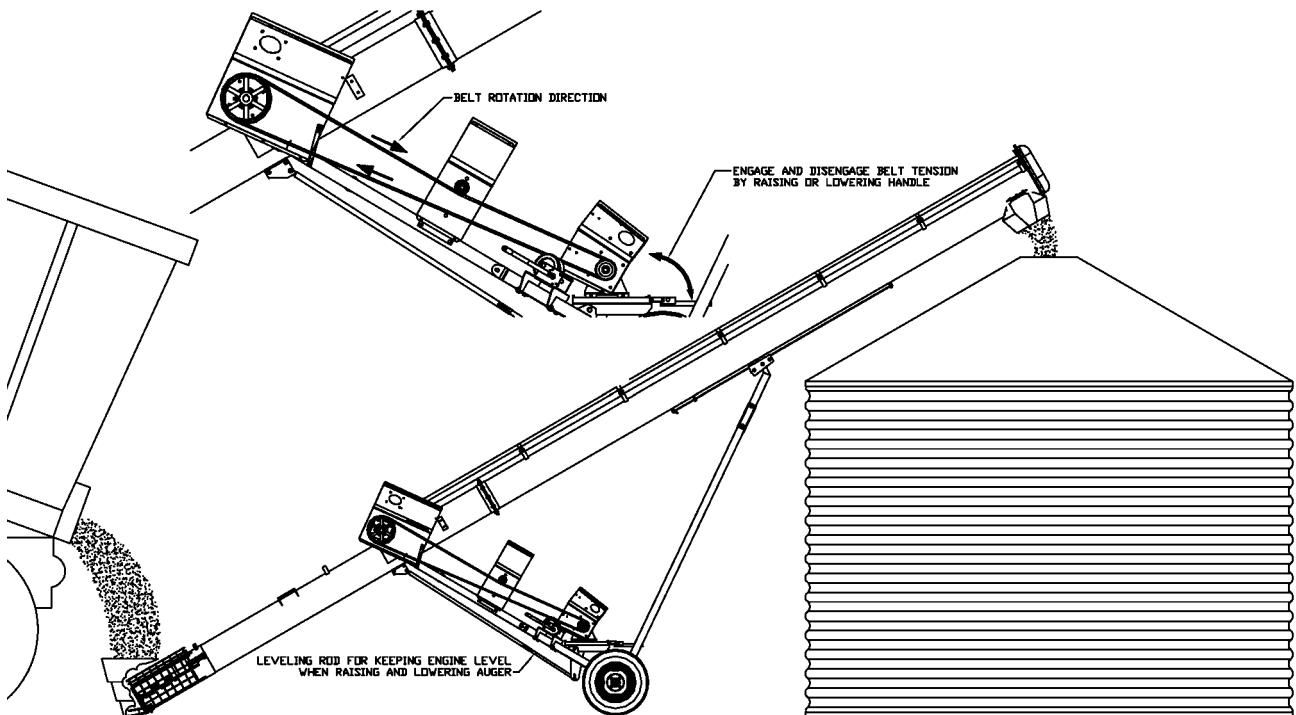
 **ALERT:** When towing the auger, never exceed 32 km/h (20 mph).

Use signal lights and a safety rated tow chain when towing an auger on a road. Check your local regulations for further safety devices in this regard.

THEORY OF OPERATIONS

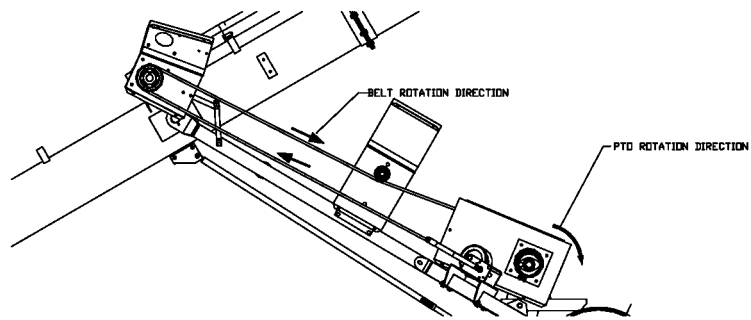
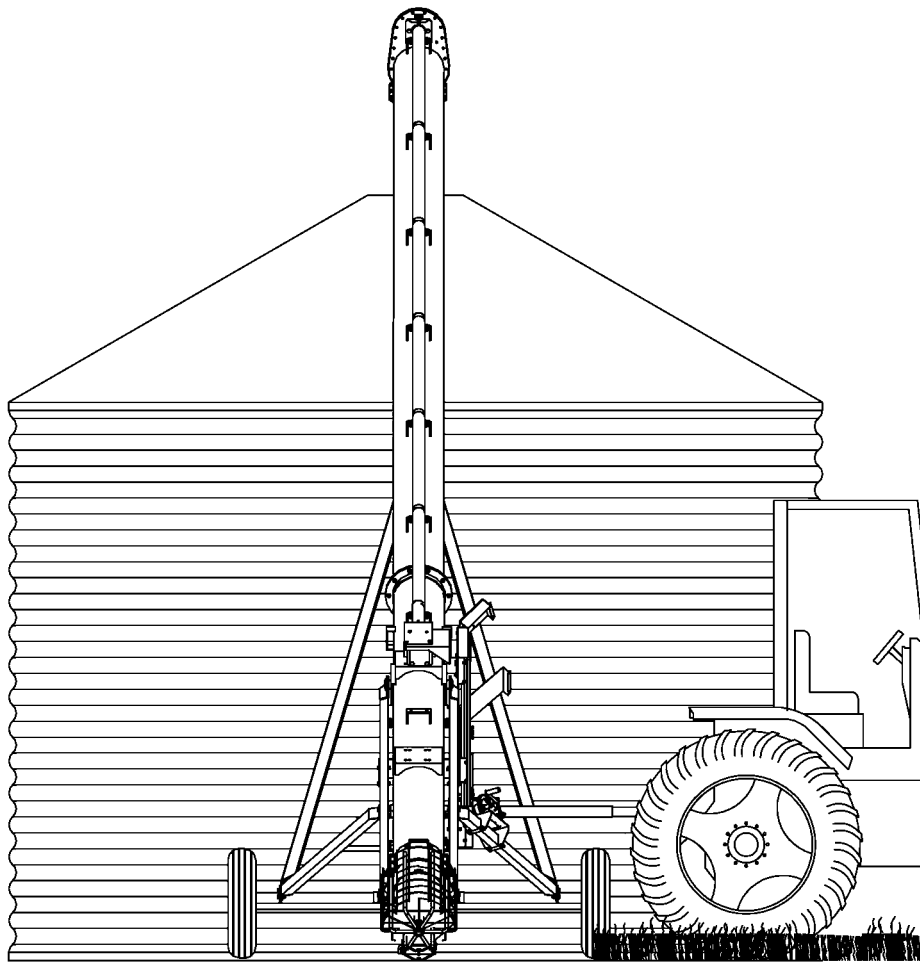


CA-41



CA-42

THEORY OF OPERATIONS – cont'd.



CA-43

## MAINTENANCE


Check condition of winch cable occasionally and replace if it shows wear. The greatest wear will occur on the first few wraps around the drum of the winch.

The main thing to check on the cable is for broken strands or rust, which penetrates the cable core. This is particularly important if the auger is more than a few years old.

Oil the moving parts of the winch two times per year.

Lubricate the PTO tumbler shaft universal joints every five hours. Grease the PTO shear yoke before using PTO for the first time.

Check the oil level of the gearbox one time per year and maintain the level at 1/3 full. Use SAE90.

 **ALERT:** When replacing bearings or tightening a loose bearing collar, always tighten collar in the direction of shaft rotation using a center punch or a similar tool.

The plastic chain guard at the top of the auger must be removed to inspect or replace the chain and sprockets. When replacing the plastic guard, clean off the residue from the old silicone and apply a fresh bead using a caulking gun. There must be about 2 pounds of grease in the guard. The bolts should be tightened in a criss-cross sequence to ensure proper seating of the guard. The bolts are a 1/4" grade 5 which should be torqued to about 9 foot pounds using a torque wrench. (12 N-m)

After every 40 hours of use, add approximately 10 squirts of grease to chain cover at the top of the auger.

If the auger is towed extensively, the wheel bearings should be repacked at least semi-annually. Keep tire pressure at 37 psi maximum. (255 kPa)

Regularly check the tightness of all cable clamps to avoid slipping.

Inspect wire rope regularly for evidence of wear or corrosion. Such inspections should take place at progressively shorter intervals over the useful life of the rope, as wear tends to accelerate with use and/or age. Where wear is rapid, the outside of a wire rope will show flattened surfaces in a short time. A piece of cloth or rag, rubbed along the wire rope will help to reveal broken wires. The effects of corrosion are not easy to detect because the exterior wires may appear to be only slightly rusty, and the damaging effects of corrosion may be confined to the hidden inner wires where it cannot be seen. To prevent damage by corrosion, the rope should be kept well lubricated. Periodic cleaning of wire rope by using a stiff brush and kerosene or with compressed air or live steam and relubricating will help to lengthen rope life and reduce abrasion and wear on sheaves and drums.

**STORAGE**

The auger should be stored in a dry place if possible. If stored outside, lower auger to its lowest position and tie the tail end down so that no one can accidentally overturn it.

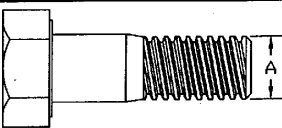
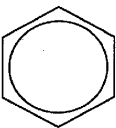


Clean auger thoroughly as dirt draws moisture and causes metal to rust. If the auger has been used to move fertilizer, clean thoroughly and apply oil or grease on entire flighting and inside the housing to stop and prevent further corrosion.

Remove belts and store in a cool dry place if auger is to be left outdoors.

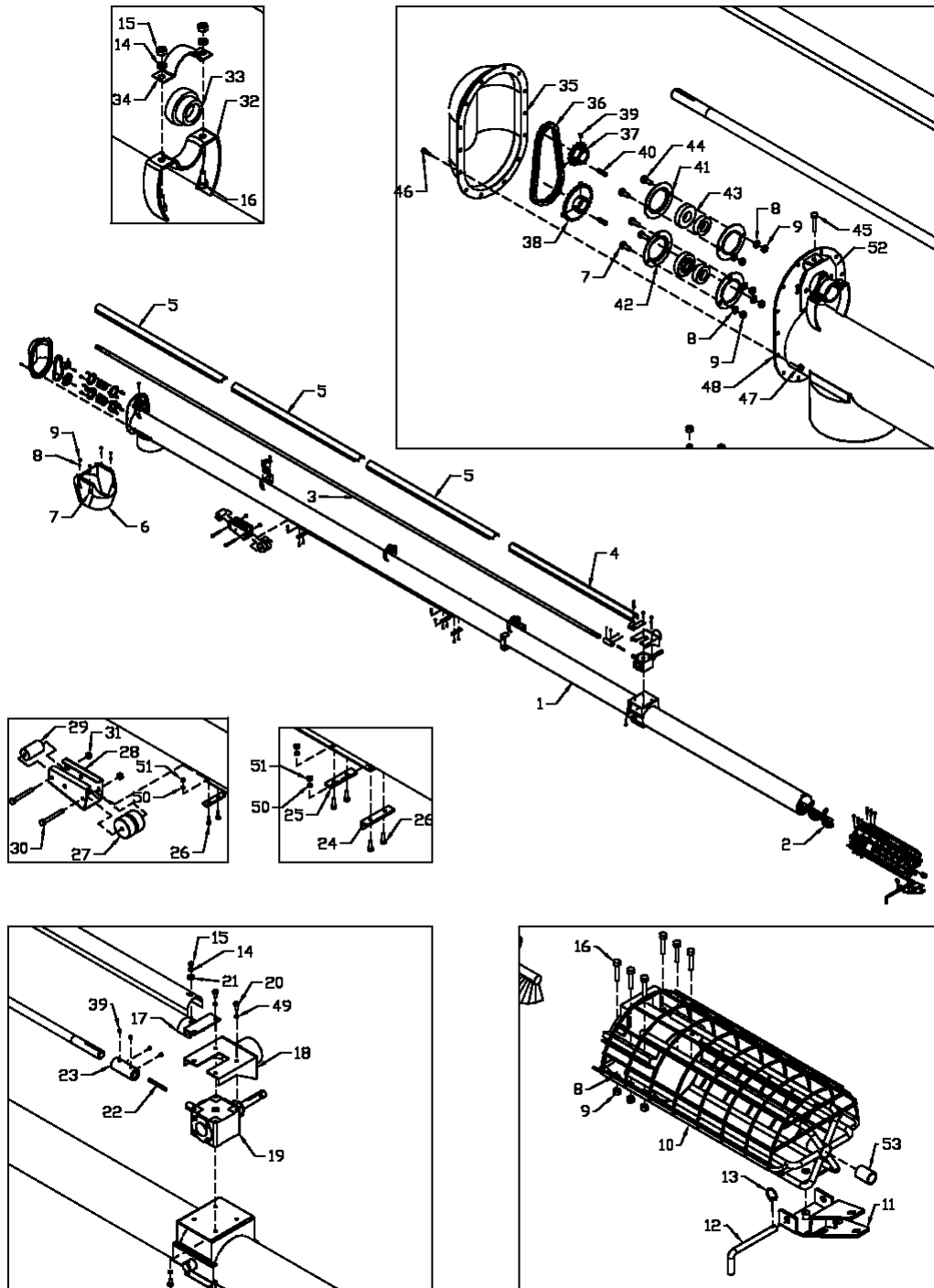
At this time check all moving parts for wear and order replacement parts from your nearest dealer.

When taking the auger out of storage, clean it thoroughly and check for obstructions at the inlet and outlet ends. Check the oil in the gearbox.

Check all bolts and set screws.

Bolt Torque						
						
Bolt Diameter	SAE2		SAE5		SAE8	
"A"	N.m	lb-ft	N.m	lb-ft	N.m	lb-ft
1/4"	8	6	12	9	17	12
5/16"	13	10	25	19	36	27
3/8"	27	20	45	33	63	45
7/16"	41	30	72	53	100	75
1/2"	61	45	110	80	155	115
9/16"	95	70	155	115	220	165
5/8"	128	95	215	160	305	220
3/4"	225	165	390	290	540	400
7/8"	230	170	570	420	880	650
1"	345	225	850	630	1320	970

TUBE ASSEMBLY



CA-01



**WHEN ORDERING PARTS**

Always give your dealer the Model, Color and Serial Number of your machine to assist him in ordering and obtaining the correct parts. Use the exploded view and tabular listing of the area of interest to exactly identify the required part.

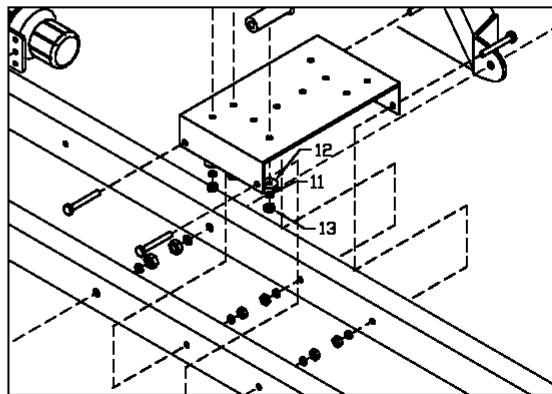
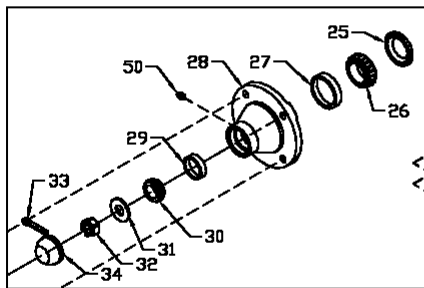
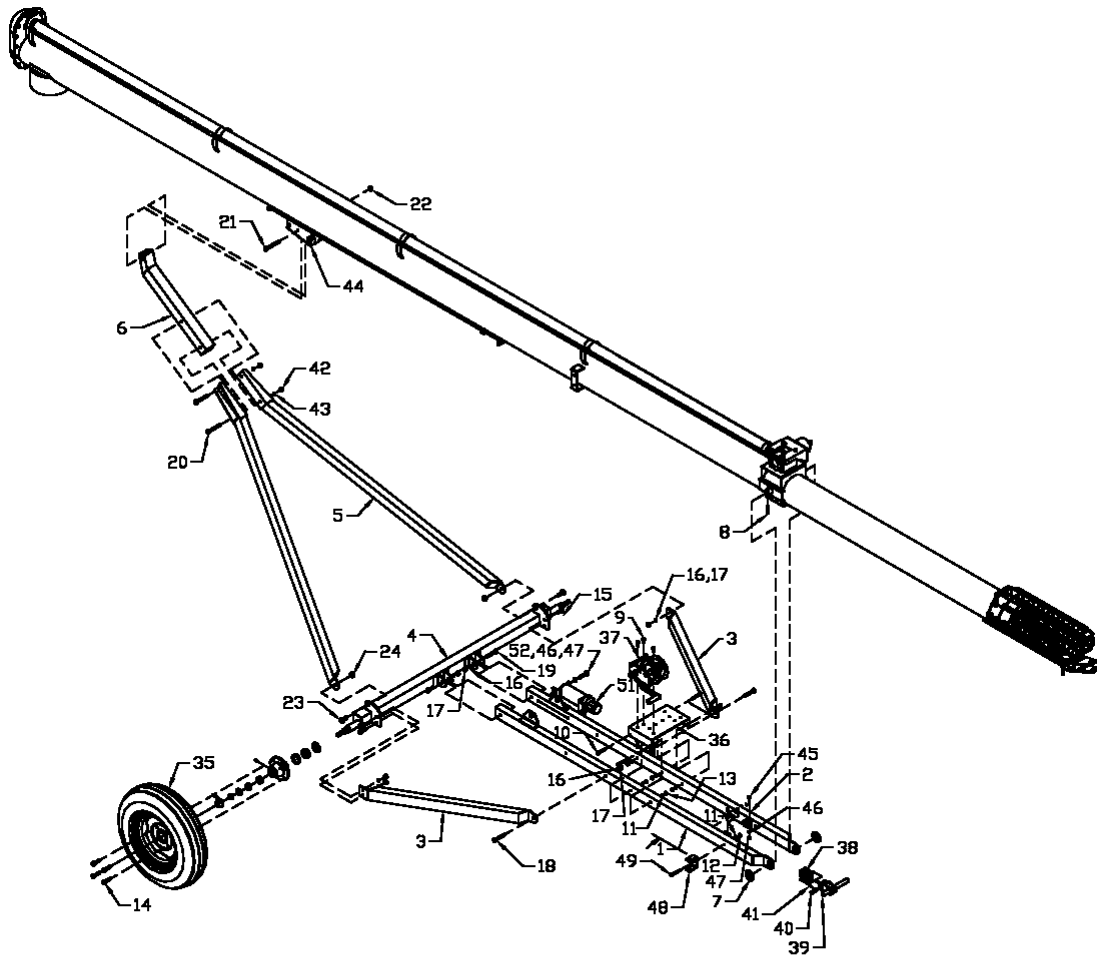
**TUBE ASSEMBLY**

<b>ITEM</b>	<b>PART #</b>	<b>DESCRIPTION</b>
1	961335	8" Tube Weldment 29' Long
	961336	10" Tube Weldment 29' Long
2	961583	8" x 29' Basic Flighting
	961169	10" x 29' Flighting
3	961603	8" Drive Line 1 1/4" x 21'-9" Long
	961175	10" Drive Line 1 3/8" x 21'-8 3/4" Long
4	961337	8" Drive Line Shield 20ga x 6 3/4" x 64 1/2"
	961338	10" Drive Line Shield 20ga x 6 3/4" x 51 1/4"
5	961848	8" Drive Line Shield 20ga x 6 3/4" x 66"
	961176	10" Drive Line Shield 20ga x 6 3/4" x 53"
6	961339	10" Bolt On Spout
7	86170	3/8" x 1" Hex Bolt (pl) (10")
8	81593	3/8" Lock Washer (pl)
9	81592	3/8" Hex Nut (pl)
10	903556	8" Intake Guard Weldment
	903558	10" Intake Guard Weldment
11	903248	8" Clevis Weldment
	903294	10" Clevis Weldment
12	903246	Clevis Pin 5/8" x 9"
13	966729	3/16" Linch Pin
14	81569	5/16" Lock Washer (pl)
15	81568	5/16" Hex Nut (pl)
16	811795	3/8" x 2" Hex Bolt (pl)
17	961345	Extension Shield Holder (8")
	961346	Extension Shield Holder (12ga) (10")
18	961347	8" Gearbox Plate 10ga x 7 1/2"
	961348	10" Gearbox Plate 10ga x 9 1/8"
19	961092	8" Gearbox
	961085	8" Reverse Shift Gearbox (Optional)
	BU50510	10" Gearbox
	961086	10" Reverse Shift Gearbox (Optional)

20	84072	3/8" x 3/4" Hex Bolt (pl) (8")
	81619	1/2" x 1" Hex Bolt (pl) (10")
21	81570	5/16" BS Flat Washer (pl)
22	961155	1/4" x 1/4" x 3 1/2" Key
23	961611	Gearbox Coupling 1 3/4" O.D. x 4" Long
24	961349	Cable Anchor 1/4" x 1" x 1" Angle (8")
	961350	Cable Anchor 1/4" x 1 1/2" x 1 1/2" Angle (10")
25	961351	Track Stop 1/4" x 1" x 4 1/4" Long (8")
	961352	Track Stop 1/4" x 1 1/2" x 5 1/2" Long (10")
26	812026	5/16" x 1" Hex Bolt (pl)
	86170	3/8" x 1" Hex Bolt (pl) (10")
27	901758	Track Roller 3.45" O.D. x 3 1/2" Long (8")
	902364	Track Roller 3.45" O.D. x 4 1/2" Long (10")
28	961353	Track Roller Frame (10ga) (8")
	961354	Track Roller Frame (7ga) (10")
29	901759	Rear Track Roller 2" O.D. x 3 1/2" Long
	902365	Rear Track Roller 2" O.D. x 4 1/2" Long
30	811691	1/2" x 4 1/2" Hex Bolt (pl) (8")
	812087	5/8" x 6" Hex Bolt (pl) (10")
31	812364	1/2" Lock Nut (pl) (8")
	812482	5/8" Lock Nut (pl) (10")
32	961430	1 1/4" Bearing Stand (8")
	961989	1 3/8" Bearing Stand (10")
33	965818	1 1/4" Bearing (8")
	965917	1 3/8" Bearing (10")
34	961432	Bearing Holder Cap (8")
	961990	Bearing Holder Cap (10")
35	961097	Plastic End Cover (8")
	961098	Plastic End Cover (10")
36	961954	#60 Chain (42 Link) (8" Belt Drive)
	961691	#60 Chain (34 1/2 Link) (8" Direct Drive)
	961047	#80 Chain (40 Link) (10" Belt Drive)
	961181	#80 Chain (38 Link) (10" Direct Drive)
37	961684	15 Tooth Sprocket #60 (1 1/4" Bore) (8" Belt & Direct Drive)
	961041	15 Tooth Sprocket #80 (1 3/8" Bore) (10" Belt Drive)
	961998	20 Tooth Sprocket #80 (1 3/8" Bore) (10" Direct Drive)

38	961686	28 Tooth Sprocket #60 (1 1/4" Bore) (8" Belt Drive)
	961042	28 Tooth Sprocket #80 (1 3/8" Bore) (10" Belt Drive)
	961684	15 Tooth Sprocket #60 (1 1/4" Bore) (8" Direct Drive)
	961998	20 Tooth Sprocket #80 (1 3/8" Bore) (10" Direct Drive)
39	988999	3/8" x 3/8" Socket Set Screw
40	961602	1/4" Sq. x 1 1/4" Key (8")
	967041	5/16" Sq. x 1 1/2" Key (10")
41	961091	2-Hole Bearing Flange
42	961675	3-Hole Bearing Flange
43	961676	1 1/4" Bearing (8")
	965917	1 3/8" Bearing W/Collar (10")
44	81914	3/8" x 1" Carriage Bolt (pl)
45	967291	3/8" x 2" Full Thread Bolt (pl)
46	967473	1/4" x 3/4" Flange Bolt (pl)
47	967474	1/2" Flange Hex Nut (pl)
48	961301	7" & 8" Auger End Plate
	904787	10" Auger End Plate c/w Grease Nipple
49	81593	3/8" Lock Washer (pl) (8")
	81637	1/2" Lock Washer (pl) (10")
50	81569	5/16" Lock Washer (pl) (8")
	81593	3/8" Lock Washer (pl) (10")
51	81568	5/16" Hex Nut (pl) (8")
	81592	3/8" Hex Nut (pl) (10")
52	903435	Chain Tightener Bracket (8")
	903478	Chain Tightener Bracket (10")
53	960461	Brass Bushing 1 3/8" x 1 3/4" Lg (8")
	967915	Brass Bushing 1 5/8" x 1 3/4" Lg (10")

UNDERCARRIAGE, AXLE & LIFT ARM ASSEMBLY



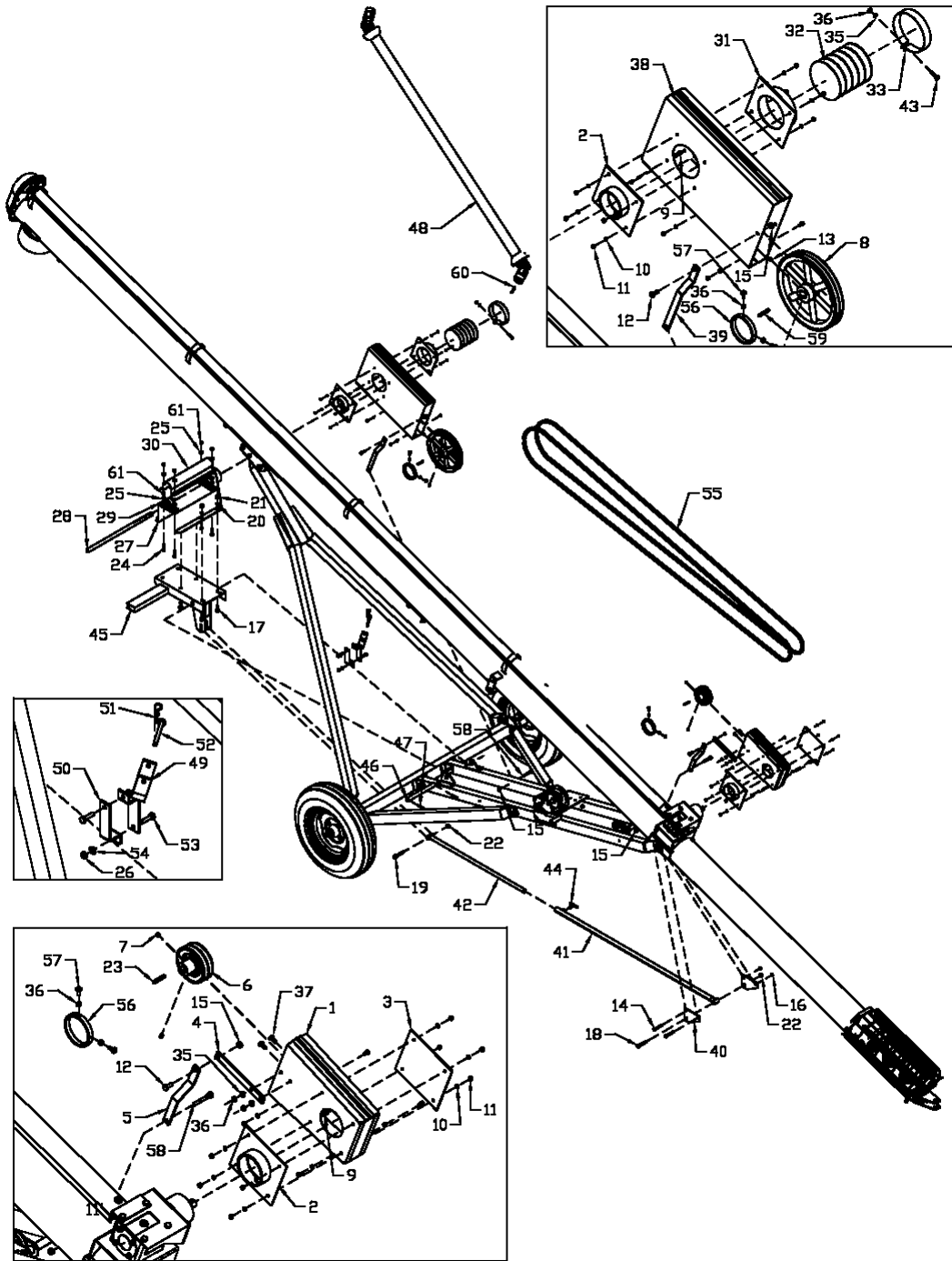
CA-03

**UNDERCARRIAGE, AXLE, & LIFT ARM ASSEMBLY**

<b>ITEM</b>	<b>PART #</b>	<b>DESCRIPTION</b>
1	962067	8" RH Undercarriage Tube 2" x 3" x 92" Long
	962068	10" RH Undercarriage Tube 2" x 3" x 90" Long
2	909526	8" LH Undercarriage Tube 2" x 3" x 92" Long
	909539	10" LH Undercarriage Tube 2" x 3" x 90" Long
3	962071	Cross Tube 2" x 3" x 38 1/8"
4	905303	8" Axle 3" x 3" x 66" Long
	907209	10" Axle 3" x 3" x 66" Long
5	962074	8" Lift Arm 2" x 3" x 73 3/8" Long
	961328	10" Lift Arm 3" x 3" x 66" Long
6	961329	8" Lift Arm Extension
	961330	10" Lift Arm Extension
7	967135	1 1/2" Rim Washer (10ga) (pl)
8	967913	5/16" x 2 1/4" Cotter Pin (pl)
9	86170	3/8" x 1" Hex Bolt (pl)
10	967488	3/8" x 2 3/4" Hex Bolt (pl)
11	81593	3/8" Lock Washer (pl)
12	84000	3/8" BS Flat Washer (pl)
13	81592	3/8" Hex Nut (pl)
14	968404	1/2" Wheel Bolt (pl)
15	84277	1/2" x 1 1/2" Hex Bolt (pl)
16	81637	1/2" Lock Washer (PL) (8")
17	81636	1/2" Hex Nut (PL) (8")
18	81627	1/2" x 3" Hex Bolt (pl)
19	81628	1/2" x 3 1/4" Hex Bolt (pl)
20	811752	1/2" x 4" Hex Bolt (pl) (8")
	81672	5/8" x 4 1/2" Hex Bolt (pl) (10")
21	811691	1/2" x 4 1/2" Hex Bolt (pl) (8")
	812087	5/8" x 6" Hex Bolt (pl) (10")
22	812364	1/2" Lock Nut (pl) (8")
	812482	5/8" Lock Nut (pl) (10")
23	84268	5/8" x 1 1/2" Hex Bolt (pl)
24	812482	5/8" Lock Nut (pl) (10")
25	961891	Oil Seal (SE11)
26	967712	Inner Cone (LM67048)
27	967711	Inner Cup (LM67010)
28	105173	4-Bolt Hub (h411)
	9105173	H411 Hub Assembly
29	968405	Outer Cup (LM11910)
30	968406	Outer Cone (LM11949)
31	9812416	3/4" S.A.E. Washer
32	81834	3/4" Slotted Hex Nut (br)

33	9812486	1/8" x 1 1/2" Cotter Pin
34	968409	Dust Cap (DC12)
35	F7110	15" x 4.5" x 4-Bolt Wheel
36	961331	Winch Mounting Plate 7ga x 8" x 17 3/4" (8")
	961332	Winch Mounting Plate 7ga x 9" x 20 1/4" (10")
37	961888	K1550 Winch (8")
	961945	K2550 Winch (10")
38	961846	4" Cast Cable Pulley
39	961333	Pulley Holder (8")
	961334	Pulley Holder (10")
40	961010	1/2" x 2 1/8" Clevis Pin (pl)
41	9812430	1/8" x 1" Cotter Pin (pl)
42	81636	1/2" Hex Nut (pl) (8")
	81676	5/8" Hex Nut (pl) (10")
43	81637	1/2" lock washer (pl) (8")
	81677	5/8" Lock Washer (pl) (10")
44	961385	Track Roller Assembly (8")
	961386	Track Roller Assembly (10")
45	810640	5/16" x 2" Hex Bolt (pl)
46	81569	5/16" Lock Washer (pl)
47	81568	5/16" Hex Nut (pl)
48	903392	Clevis Holder
49	81583	3/8" x 3" Hex Bolt (pl)
50	967900	1/4" Grease Fitting
51	909277	Manual Holder
52	810582	5/16" x 3" Hex Bolt (pl)

BELT DRIVE PTO ASSEMBLY



CA-04

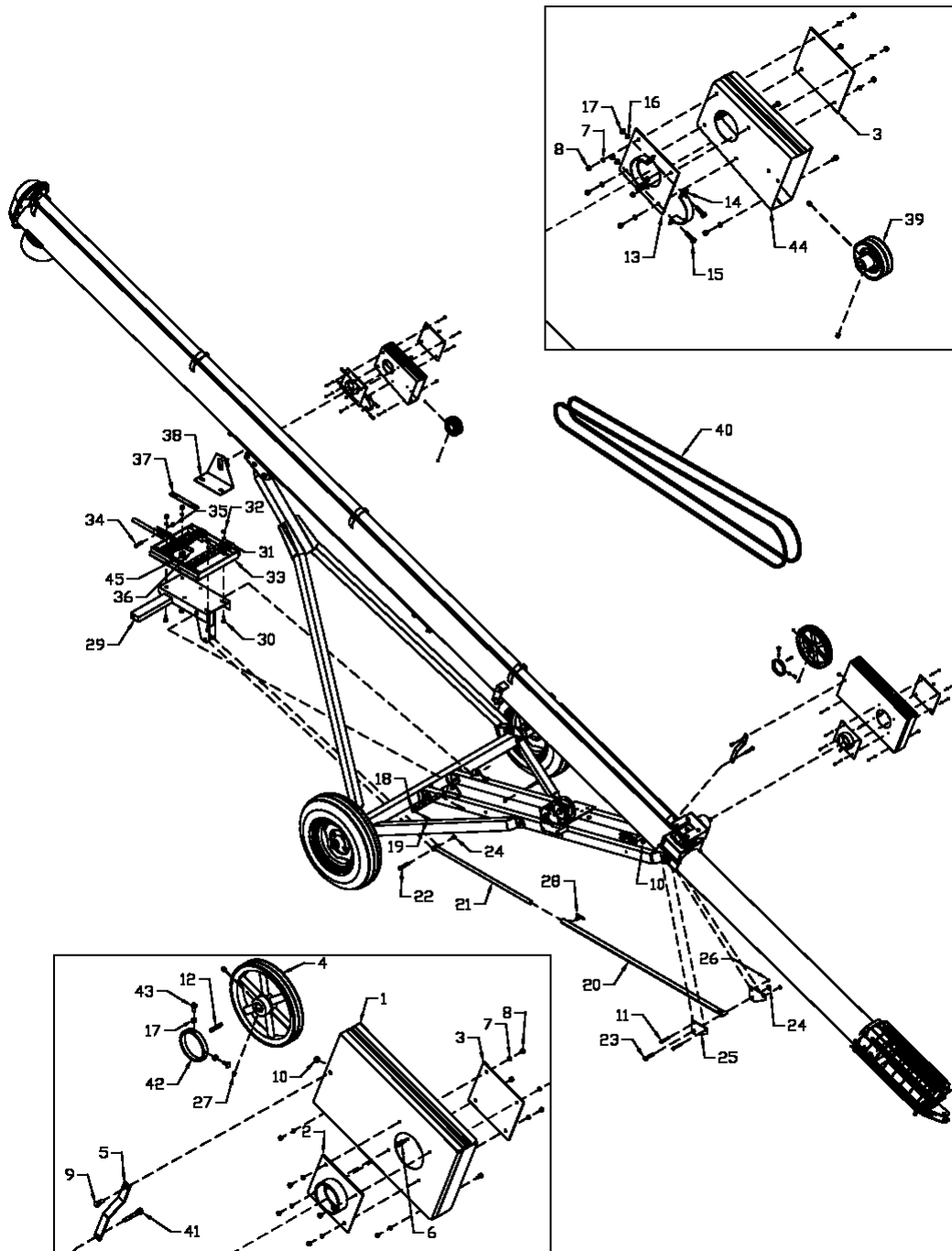
**BELT DRIVE PTO ASSEMBLY**

<b>ITEM</b>	<b>PART #</b>	<b>DESCRIPTION</b>
1	961355	6" Sheave Guard (8")
	961356	6" Sheave Guard (10")
2	961357	Guard Plate Weldment
3	961358	8" x 8" Solid Cover Plate
4	961359	Guard Pivot Arm 9" Long
5	961360	Guard Pivot Arm 10 3/4" Long
6	966166	6" Double Sheave (1" Bore) (8")
	961074	6" Triple Sheave (1 1/2" Bore) (10")
7	988999	3/8" x 3/8" Socket Set Screw
8	961567	12" Double Sheave (1" Bore) (8")
	961004	12" Triple Sheave (1 1/4" Bore) (10")
9	81523	1/4" x 1/2" Hex Bolt (pl)
10	81545	1/4" Lock Washer (pl)
11	81544	1/4" Hex Nut (pl)
12	86170	3/8" x 1" Hex Bolt (pl)
13	81213	3/8" x 1" Square Head Set Screw
14	967488	3/8"x 2 3/4" Hex Bolt (pl) (8")
	81583	3/8" x 3" Hex Bolt (pl) (10")
15	812363	3/8" Lock Nut (pl)
16	81592	3/8" Hex Nut (pl)
17	81620	1/2" x 1 1/4" Hex Bolt (pl)
18	81626	1/2" x 2 3/4" Hex Bolt (pl) (8")
	81627	1/2" x 3" Hex Bolt (pl) (10")
19	81627	1/2" x 3" Hex Bolt (pl)
20	81637	1/2" Lock Washer (pl)
21	81636	1/2" Hex Nut (pl)
22	812364	1/2" Lock Nut (pl)
23	968811	1/4" x 1/4" x 2" Key (8")
	967044	3/8" x 3/8" x 3 3/8" Key (10")
24	81578	3/8" x 1 13/4" Hex Bolt (pl) (8")
	811791	1/2" x 2" Hex Bolt (pl) (10")
25	84000	3/8" Flat Washer (pl) (8")
	81638	1/2" Flat Washer (pl) (10")
26	81592	3/8" Hex Nut (pl)
27	961362	PTO Mount Weldment (8")
	961363	PTO Mount Weldment (10")
28	961364	PTO Arbor Shaft 1"Ø x 25" Long (8")
	961365	PTO Arbor Shaft 1 1/4"Ø x 25" Long (10")
29	961792	1" Pillow Bearing W/Collar (8")
	973223	1 1/4" Pillow Bearing W/Collar (10")



30	961366	20ga x 16 3/16" Arbor Shaft Shield (8")
	961367	20ga x 12 3/4" Arbor Shaft Shield (10")
31	961368	Guard Weldment 10ga x 8" x 8"
32	961201	Flexible Guard 6" O.D. x 6 1/2" Long
33	961200	Guard Clamp 16ga x 1 1/4" x 21 1/2" Long
34	81552	5/16" x 1 1/4" Hex Bolt (pl)
35	81569	5/16" Lock Washer (pl)
36	81568	5/16" Hex Nut (pl)
37	81549	5/16" x 3/4" Hex Bolt (pl)
38	961369	12" Sheave Guard (8")
	961370	12" Sheave Guard (10")
39	961371	Guard Pivot Arm 13 3/4" Long
40	961372	Belt Tightener Bracket 54" x 6"
41	908702	Outer Tightener Tube 1 5/16" O.D. x 55" Long
42	961693	Inner Tightener Tube 1" O.D. x 42" Long
43	81553	5/16" x 1 1/2" Hex Bolt (pl)
44	961647	1/2" Tightener Screw
45	961375	Hanger Weldment (8")
	961376	Hanger Weldment (10")
46	961377	Hanger Swivel Shaft 1"Ø x 10 1/2" Long (8")
	961378	Hanger Swivel Shaft 1"Ø x 13" Long (10")
47	9812434	1/4" x 1 1/2" Cotter Pin (pl)
48	F0444	PTO Shaft (8")
	F0467	PTO Shaft (10")
49	961379	PTO Holder Weldment (8")
	961380	PTO Holder Weldment (10")
50	961381	PTO Holder Bracket (8")
	961382	PTO Holder Bracket (10")
51	12780	#7 Hair Pin Clip
52	961539	PTO Holder Pin 3/8"Ø x 4 1/2" Long
53	811792	3/8" x 1 1/2" Hex Bolt (pl)
54	81593	3/8" Lock Washer (pl)
55	961897	B-199 V-Belt (2/ 8" Auger & 3/ 10" Auger)
56	961383	Guard Holder Ring 4 1/2" O.D. x 5/8" Long
57	9812377	5/16" x 3/4" Square Head Set Screw (pl)
58	967488	3/8" x 2 3/4" Hex Bolt (pl)
59	968811	1/4" x 1/4" x 2" Key (8")
	961384	1/4" x 1/4" x 3 3/8" Key (10")
60	968811	1/4" x 1/4" x 2" Key (8")
61	81592	3/8" Hex Nut (pl) (8")
	81636	1/2" Hex Nut (pl) (10")
62	81553	5/16" x 1 1/2" Hex Bolt (pl)

ENGINE DRIVE ASSEMBLY



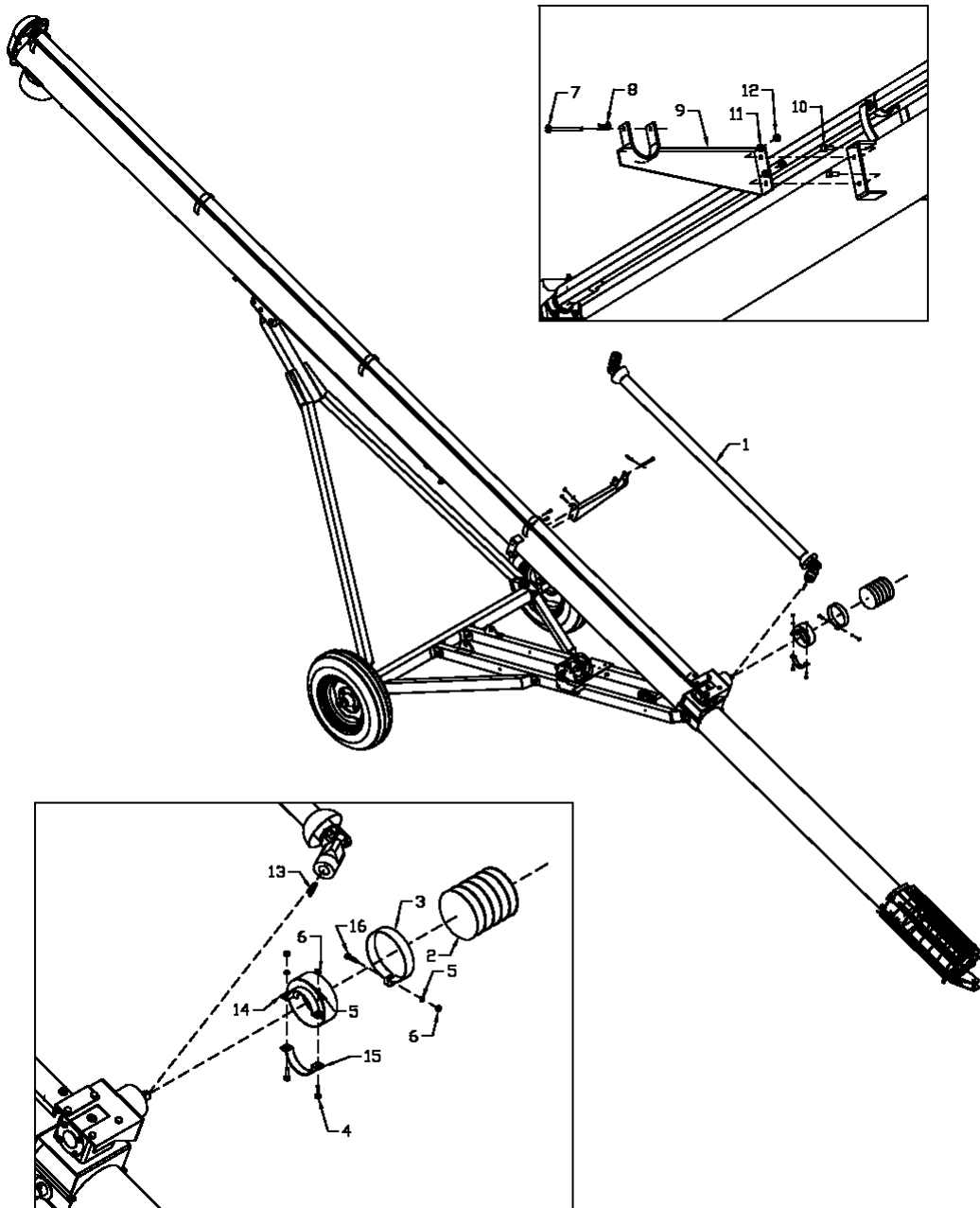
CA-05

**ENGINE DRIVE ASSEMBLY**

ITEM	PART B31	DESCRIPTION
1	961369	12" Guard (8")
	961370	12" Guard (10")
2	961357	Guard Plate Weldment
3	961358	Guard Plate
4	961567	12" Double Sheave (1" Bore) (8")
	961187	12" Triple Sheave (1 1/2" Bore) (10")
5	961360	Guard Pivot Arm 10 3/4" Long
6	81523	1/4" x 1/2" Hex Bolt (pl)
7	81545	1/4" Lock Washer (pl)
8	81544	1/4" Hex Nut (pl)
9	86170	3/8" x 1" Hex Bolt (pl)
10	812363	3/8" Lock Nut (pl)
11	967488	3/8" x 2 3/4" Hex Bolt (pl) (8")
	81583	3/8" x 3" Hex Bolt (pl) (10")
12	968811	1/4" x 1/4" x 2" Key (8")
	967044	3/8" x 3/8" x 3 3/8" Key (10")
13	962066	Clamp Weldment
14	961896	Clamp (4" I.D.)
15	81552	5/16" x 1 1/4" Hex Bolt (pl)
16	81569	5/16" Lock Washer (pl)
17	81568	5/16" Hex Nut (pl)
18	961377	Hanger Swivel Shaft 1"Ø x 10 1/2" Long (8")
	961378	Hanger Swivel Shaft 1"Ø x 13" Long (10")
19	9812434	1/4" x 1 1/2" Cotter Pin (pl)
20	908702	Outer Tightener Tube 1 15/16" O.D. x 60" Long
21	961693	Inner Tightener Tube 1" O.D. x 36" Long
22	81627	1/2" X 3" Hex Bolt (pl) (10")
23	81626	1/2" x 2 3/4" Hex Bolt (pl) (8")
	81627	1/2" x 3" Hex Bolt (pl) (10")
24	812364	1/2" Lock Nut (pl)
25	961372	Belt Tightener Bracket 7ga x 4" x 6"
26	81592	3/8" Hex Nut (pl)
27	81213	3/8" x 1" Square Head Set Screw
28	961647	12" Tightener Screw
29	961375	Hanger Weldment (8")
	961376	Hanger Weldment (10")
30	81620	1/2" x 1 1/4" Hex Bolt (pl)
31	81637	1/2" Lock Washer (pl)
32	81636	1/2" Hex Nut (pl)
33	908010	Motor Mount Weldment

34	981601	7/16" x 2" Hex Bolt (pl)
35	86273	7/16" Lock Nut (pl)
36	961973	12" Adjusting Rod
37	961167	Motor Mount Guard Spacer 10" long
38	961166	Guard Mount
39	F889	3 1/2" Double Sheave 1" Bore (8") 3 1/2" Triple Sheave (10") (By Customer)
40	961897	B-199 V-Belt (2/ 8" Auger & 3/ 10" Auger)
41	967488	3/8" x 2 3/4" Hex Bolt (pl)
42	961383	Guard Holder Ring 4 1/2" O.D. x 5/8" Long
43	9812377	5/16" x 3/4" Square Head Set Screw (pl)
44	961355	6" Sheave Guard (8")
	961356	6" Sheave Guard (10")
45	811852	3/4" Sq. Nut (pl)

DIRECT DRIVE ASSEMBLY

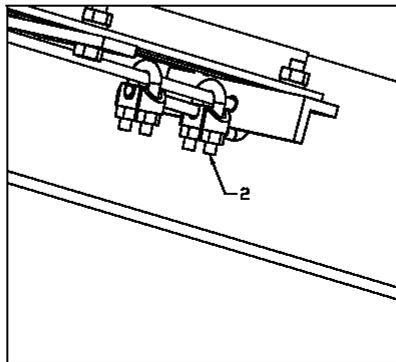
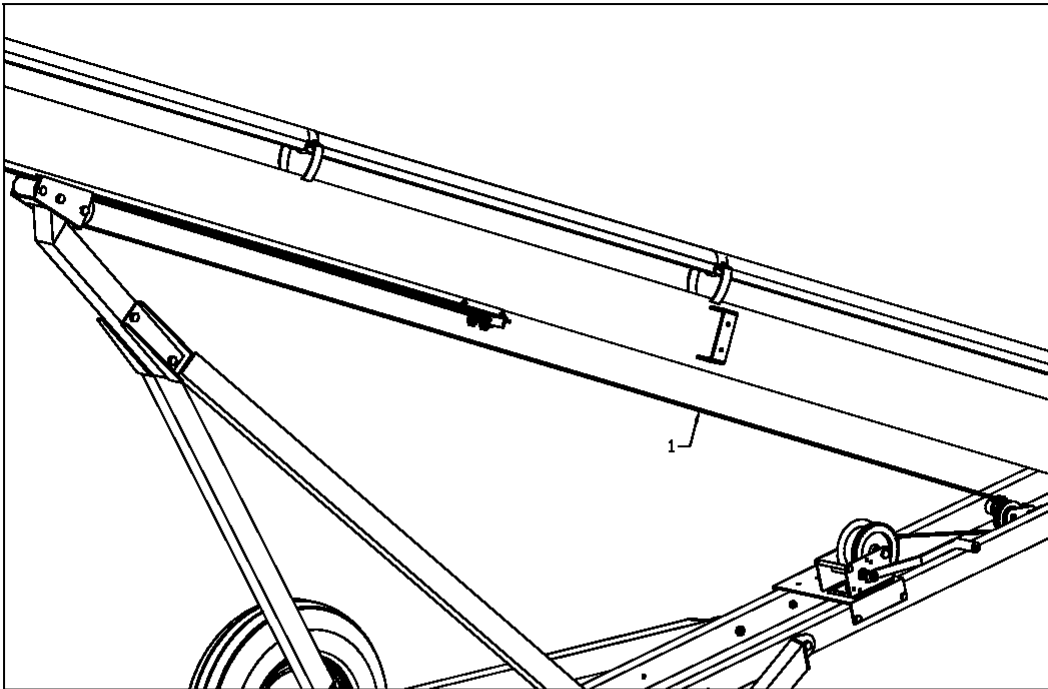


CA-06

**DIRECT DRIVE ASSEMBLY**

<b>ITEM</b>	<b>PART#</b>	<b>DESCRIPTION</b>
1	F0444	8" PTO Shaft
	F0466	10" PTO Shaft
2	961201	6" Plastic Tube 6 1/2" Long
3	961200	6 1/4" x 1 1/4" Guard Clamp
4	81552	5/16" x 1 1/4" Hex Bolt (pl)
5	81569	5/16" Lock Washer (pl)
6	81568	5/16" Hex Nut (pl)
7	961539	3/8" x 4 1/2" Pin
8	12780	#7 Hair Pin Clip
9	961790	PTO Hanger
10	86170	3/8" x 1" Hex Bolt (pl)
11	81593	3/8" Lock Washer (pl)
12	81592	3/8" Hex Nut (pl)
13	968811	1/4" x 1/4" x 2" Key (8")
	968807	3/8" x 3/8" x 2" Key (10")
14	961202	PTO Guard Holder (W/4" I.D. Clamp)
15	961896	Clamp (4" I.D.)
16	81553	5/16" x 1 1/2" Hex Bolts (pl)

CABLE ASSEMBLY

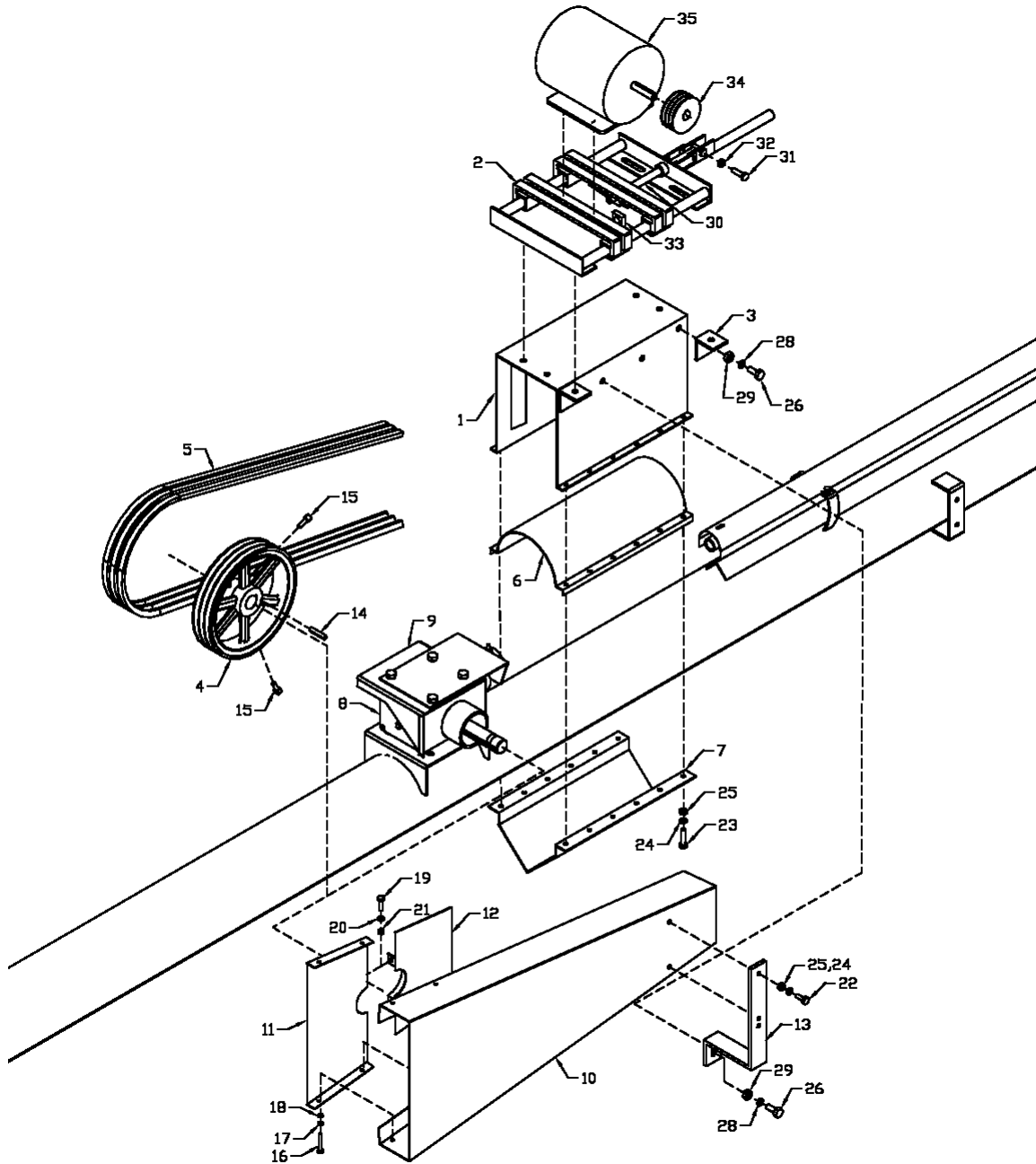


CA-07

CABLE ASSEMBLY

ITEM	PART #	DESCRIPTION
1	961641	1/4" Cable 23' Long (8")
	961140	5/16" Cable 23' Long (10")
2	961658	1/4" Cable Clamp (8")
	961763	5/16" Cable Clamp (10")

CLAMP-ON MOTOR MOUNT



CA-08



**CLAMP-ON MOTOR MOUNT PARTS LIST**

<b>ITEM</b>	<b>PART #</b>	<b>DESCRIPTION</b>
1	961196	8" Motor Mount Stand
	961184	10" Motor Mount Stand
2	907360	Motor Mount Weldment
	907361	Motor Mount Assembly
3	961186	Angle Iron
4	961567	12" Double Sheave, 1" Bore - 8"
	961187	12" Triple Sheave, 1 1/2" Bore - 10"
5	973621	Belt B62 Match Pair (2 req'd) 8"
	973417	B-83 V-Belt (3 req'd) - 10"
6	961164	8" Round Clamp
	961191	10" Round Clamp
7	961165	8" V-Clamp
	961192	10" V-Clamp
8	961092	8" Gearbox
	BU50510	10" Gearbox
9	961347	8" Gearbox Plate
	961348	10" Gearbox Plate
10	F1870	Belt Guard (33" Long) - 8"
	F1871	Belt Guard (42 1/2" Long) - 10"
11	961159	8" Bolt-on Guard Insert
	961157	10" Bolt-on Guard Insert
12	961160	8" Clamp-on Guard Insert
	961158	10" Clamp-on Guard Insert
13	961162	Guard Bracket
14	968811	1/4" Sq. x 2" Key - 8"
	968807	3/8" Sq. x 2" Key - 10"
15	81213	3/8" x 1" Sq. Hd. Set Screw
16	81525	1/4" x 3/4" Hex Bolt
17	81545	1/4" Lock Washer
18	81544	1/4" Hex Nut
19	81552	5/16" x 1 1/4" Hex Bolt
20	81569	5/16" Lock Washer
21	81568	5/16" Hex Nut
22	86170	3/8" x 1" Hex Bolt
23	81578	3/8" x 1 3/4" Hex Bolt
24	81593	3/8" Lock Washer
25	81592	3/8" Hex Nut
26	81620	1/2" x 1 1/4" Hex Bolt
27	81638	1/2" Flat Washer
28	81637	1/2" Lock Washer

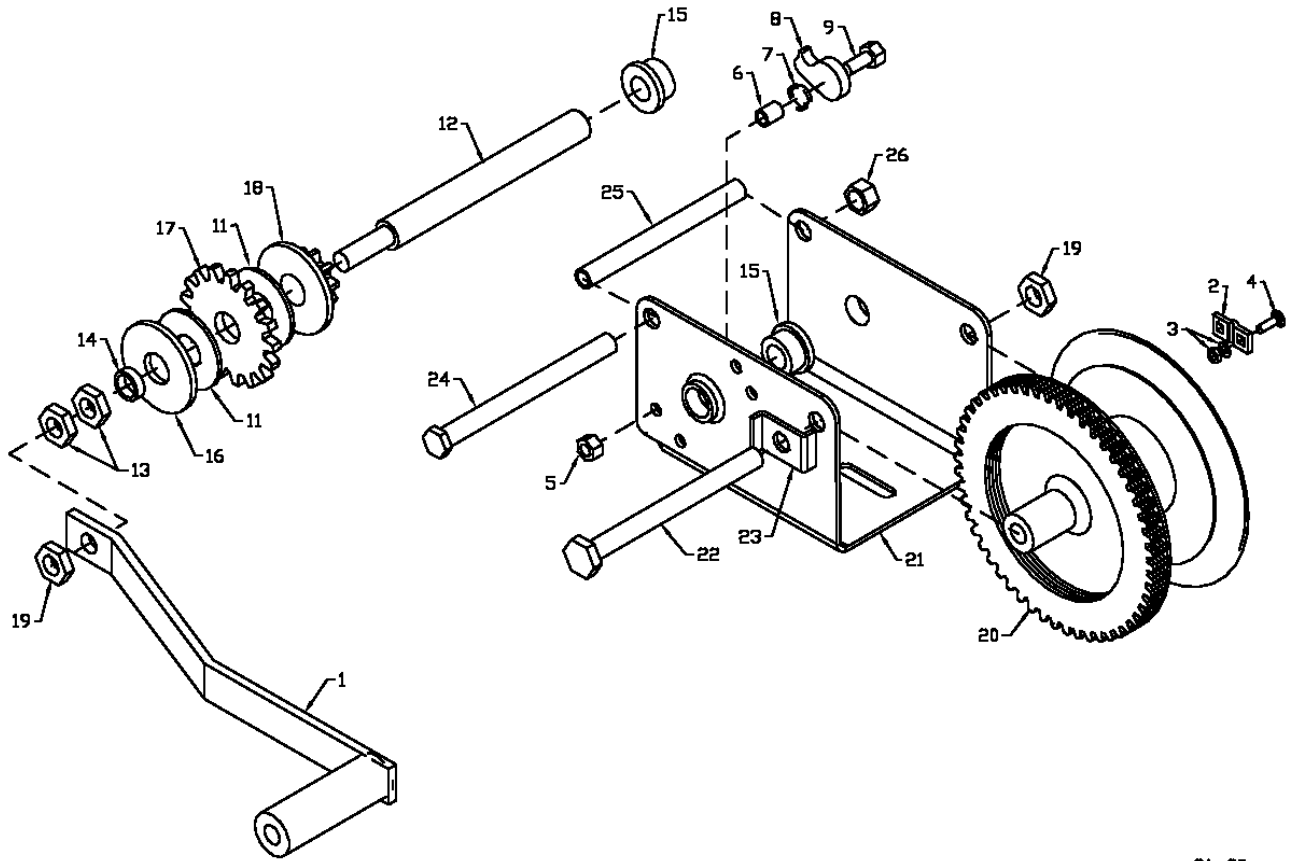
29	81636	1/2" Hex Nut
30	961973	12" Adjusting Rod
31	981601	7/16" x 2" Hex Bolt
32	86273	7/16" Lock Nut
33	811852	3/4" Sq. Nut (pl)
*34		Motor Sheave (Supplied by Customer)
*35		Electric Motor (Supplied by Customer)
		*See instructions for correct Sheave

### CLAMP-ON MOTOR MOUNT KIT INSTRUCTIONS

1. The procedure for installing the kit is the same for belt drive or direct drive. Bolt the motor mount stand (#1) and the two clamps (#6) and (#7) together on the tube with 3/8" x 1 3/4" cap screws, lock washers and hex nuts. Bolt the angle irons (#3) to the side of the stand so they are flush with the top of the stand. NOTE: The angle irons and the two extra holes on the side of the stand near the center must be on the same side as the guard.
2. Bolt the electric motor (#34) to the motor mount and mount a sheave (#33) (both supplied by customer). Use a double sheave for 8" augers and a triple sheave for 10" augers. Do not tighten bolts until both sheaves are aligned. The electric motor must be a 1725 rpm. Motor sizes are: 8" x 31' = 7.5 hp; 10" x 31' = 10 hp. Sheave sizes are: Direct Drive = 3 1/2", Belt Drive = 6"
3. Mount the 12" sheave on the gearbox using key and set screws supplied (double sheave for 8" x 31' and triple sheave for 10" x 31'). After aligning the two sheaves with the auger tube, tighten motor mount bolts and sheave set screws. Mount belts on the pulleys. The motor mount handle acts as a belt tightener.
4. Bolt the guard insert #11 to the belt guard (#10) using 1/4" x 3/4" cap screws, lock washers and hex nuts. The guard assembly is then clamped to the ring on the gearbox plate using clamp (#12) and 5/16" x 1 1/4" cap screws, lock washers and hex nuts. The other end of the guard is held on by a guard bracket (#13) which bolts to the guard using 3/8" x 1" bolts and to the motor mount stand (#1) using 1/2" x 1 1/4" bolt. Center the guard on the motor sheave before tightening bolts.

# 1550 WINCH

961888 - 8" X 31' AUGERS



CA-25

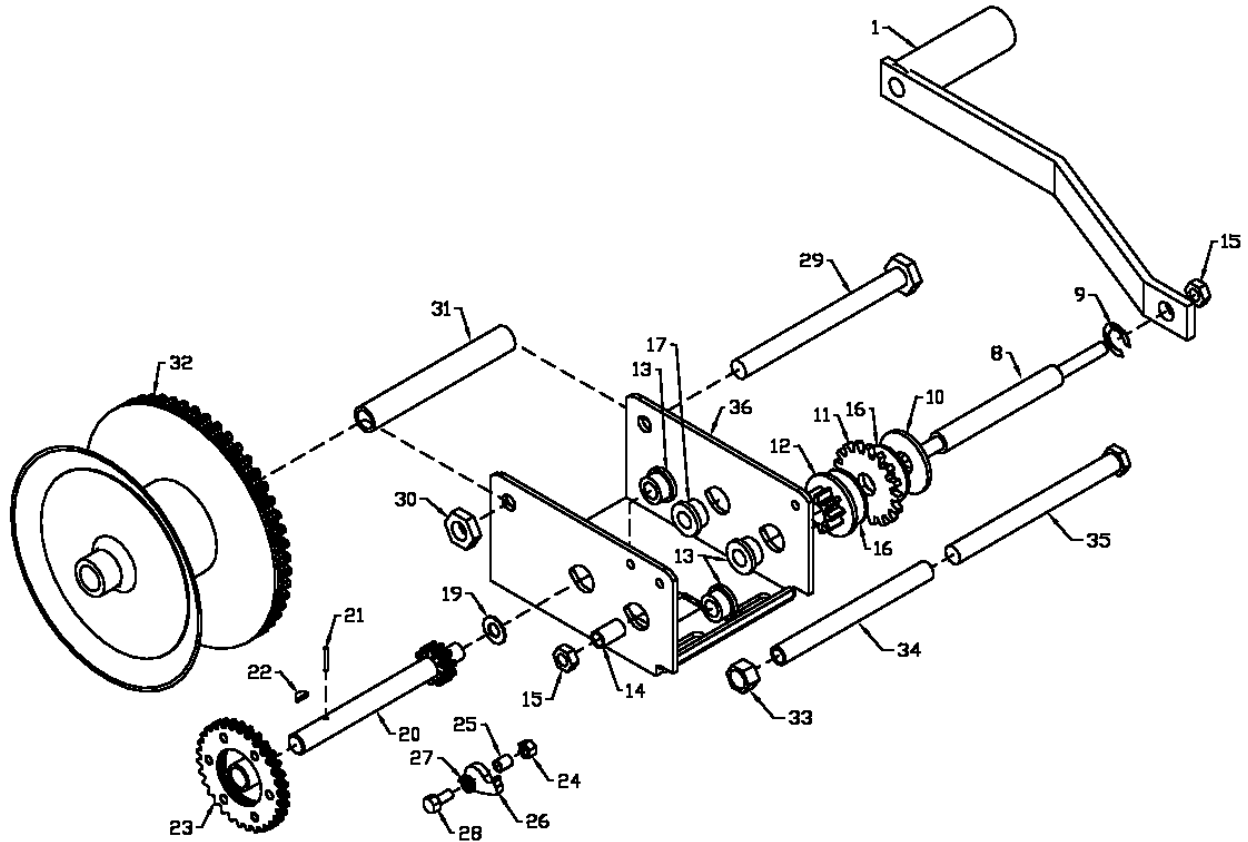
**#1550 WINCH  
961888 – 8" x 31' AUGERS**

ITEM	DESCRIPTION	PART #
1	Handle Assembly	2461S01
<b>CABLE KEEPER KIT</b>		<b>5621S01</b>
2	Cable Clamp	
3	Lockwasher & Nut	
4	Carriage Bolt	
<b>RATCHET KIT</b>		<b>6730S00</b>
5	5/16" Lock Nut	
6	Ratchet Spacer	
7	Ratchet Spring	
8	Ratchet Pawl	
9	Shoulder Bolt	
11	Bushing	
<b>INPUT SHAFT KIT</b>		<b>1563S01</b>
12	Input Shaft	
13	1/2" Lock Nut	
14	Spacer	
15	Bushing	
16	Shaft Brake Disc	
17	Ratchet Gear	
18	Pinion & Disc Assembly	
19	1/2" Lock Nut	*
20	Drum Assembly	*
21	Frame	*
22	1/2" x 5 3/4" Cap Screw	*
23	Drum Spacer	*
24	3/8" x 5 3/4" Cap Screw	*
25	Frame Spacer	*
26	3/8" Lock Nut	*

\* NOT AVAILABLE

#K2550 WINCH

961945 – 10" x 31' AUGER



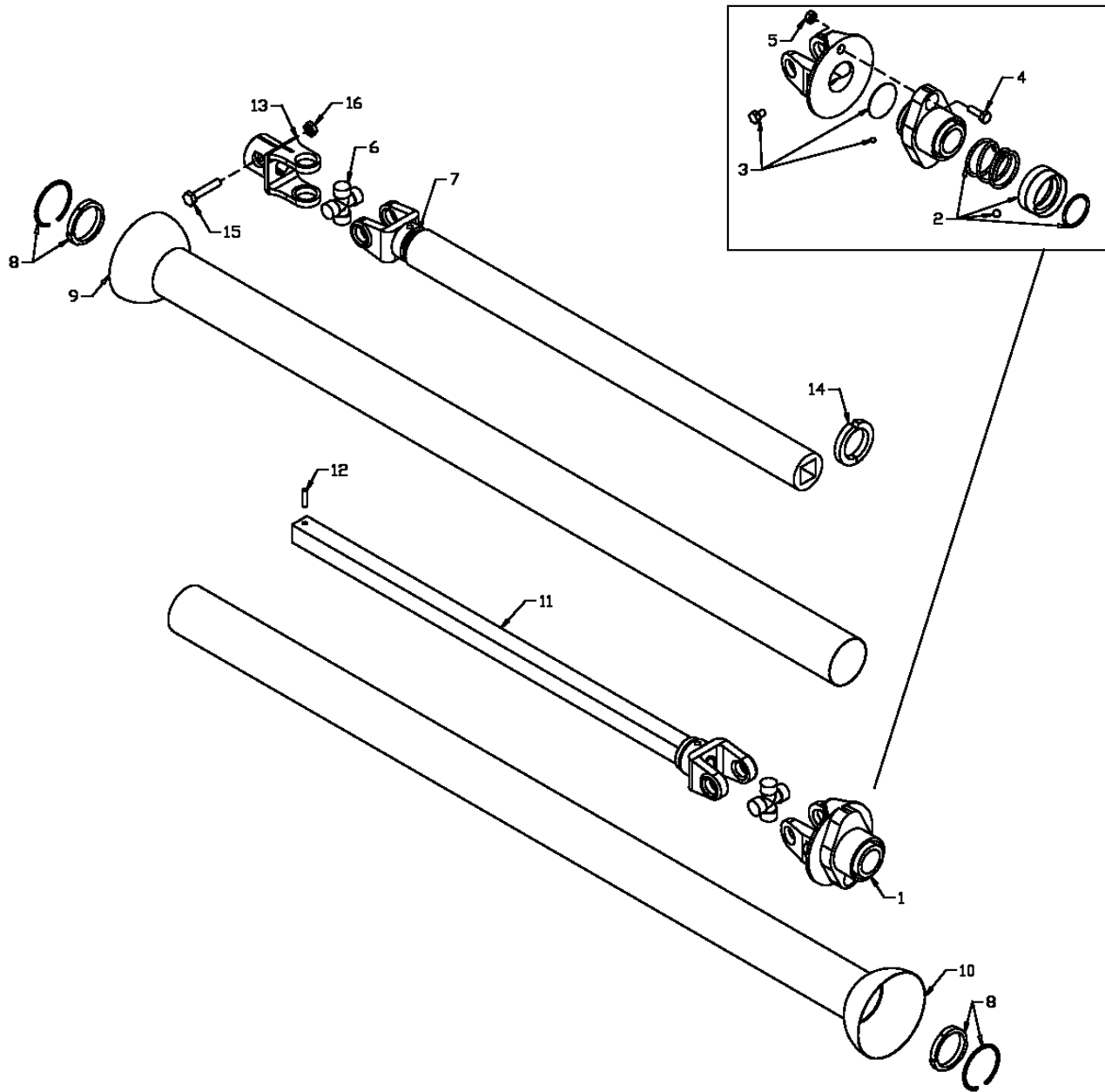
CA-26

#K2550 WINCH 961945 – 10" x 31' AUGER

ITEM	DESCRIPTION	PART #
1	Handle	2461S01
CABLE KEEPER KIT		5621S01
4	Bolt	
5	Cable Clamp	
6	Lockwasher	
7	Nut	
INPUT SHAFT KIT		1565S01
8	Input Shaft	
9	Retaining Ring	
10	Brake Disc	
11	Ratchet Gear	
12	Pinion Gear	
13	Bushing	
14	Spacer	
15	Nut	
16	Friction Disc	1578S00
INTERMEDIATE SHAFT KIT		1569S01
17	Bushing	
19	Washer	
20	Intermediate Shaft	
21	Roll Pin	
22	Woodruff Key	
23	Gear	
RATCHET KIT		6730S00
24	Nut	
25	Spacer	
26	Ratchet Pawl	
27	Spring	
28	Shoulder Bolt	
29	Drum Bolt	*
30	Lock Nut	*
31	Drum Spacer	*
32	Drum Assembly	*
33	Lock Nut	*
34	Frame Spacer	*
35	Bolt	*
36	Frame	*
BUSHING KIT		906537
13	Bushing	
17	Bushing	

\* NOT AVAILABLE

PTO ASSEMBLY



CA-27

**BELT DRIVE AND DIRECT DRIVE PTO ASSEMBLY**

<b>Item #</b>	<b>Part #</b>	<b>Description</b>
	F0444	Shaft Complete
	908953	Tractor Half of PTO (shear)
	908952	Implement Half of PTO
1	936308	Shear Assembly
2	936168	Spring-Lok Repair Kit - (Collar, Spring, Ret. Ring, 2 - 3/8" Balls)
3	936248	Shear Assembly Repair Kit - (3/8" x 1/2" Bolt, Blank, 24 - 1/4" Balls)
4	812026	5/16" x 1" Shear Bolt (Grade 5) - one required
5	812362	5/16" Lock Nut
6	936079	Repair Kit
7	936309	Yoke & Tube
8	936387	Bearing & Snap Ring Kit
9	908951	Inner Guard
10	907399	Outer Guard
11	936314	Yoke & Shaft
12	936315	1/4" x 1" Roll Pin
13	936374	Clamp Yoke
14	936316	Shield Bearing
15	811795	3/8" x 2" Hex Bolt
16	812363	3/8" Lock Nut



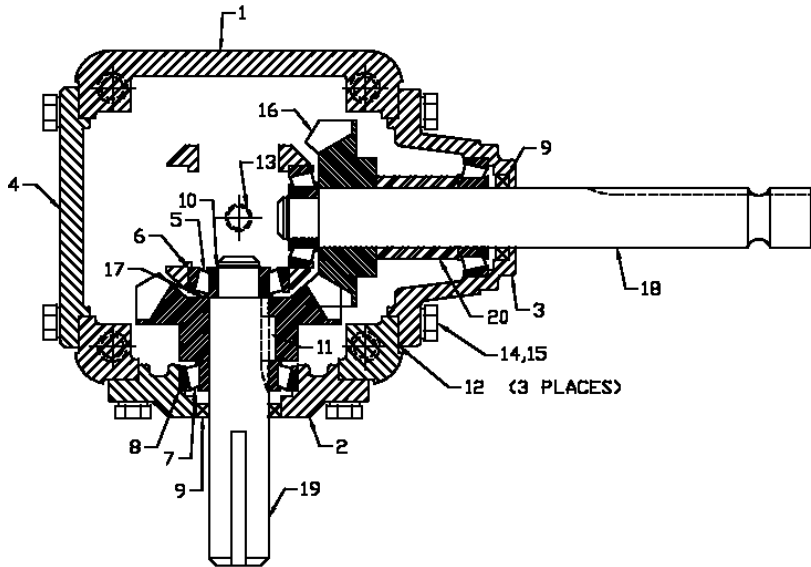
**PTO BELT DRIVE PTO ASSEMBLY**

<b>Item #</b>	<b>Part #</b>	<b>Description</b>
	F0467	Shaft Complete
	908960	Tractor Half of PTO (Shear)
	908959	Implement Half of PTO
1	936324	Shear Assembly
2	936168	Spring-Lok Repair Kit (Collar, Spring, Ret. Ring, 2 3/8" Balls)
3	936248	Shear Assembly Repair Kit (3/8" x 1/2" Bolt, Blank, 24 1/4" Balls)
4	86170	Shear Bolt - 3/8" x 1" (Gr.5)
5	812363	3/8" Lock Nut
6	936093	Repair Kit
7	936325	Yoke & Tube
8	936320	Nylon Bearing Repair Kit
10	908956	Inner Guard
11	908397	Outer Guard
12	936329	Yoke & Shaft
13	936315	Roll Pin (1/4" x 1")
14	936262	Clamp Yoke
15	936316	Shield Bearing
16	81628	1/2" x 3 1/4" Hex Bolt
17	812364	1/2" Lock Nut

**DIRECT DRIVE PTO ASSEMBLY**

<b>Item #</b>	<b>Part #</b>	<b>Description</b>
	F0466	Shaft Complete
	908960	Tractor Half of PTO (shear)
	908958	Implement Half of PTO
1	936324	Shear Assembly
2	936168	Spring-Lok Repair Kit (Collar, Spring, Ret. Ring, 2 3/8" Balls)
3	936248	Shear Assembly Repair Kit (3/8" x 1/2" Bolt, (Grade 5) - one required
4	86170	3/8" x 1" Shear Bolt (Grade 5) - one required
5	812363	3/8" Lock Nut
6	936093	Repair Kit
7	936325	Yoke & Tube
8	936320	Nylon Bearing Repair Kit
9	908956	Inner Guard
10	907397	Outer Guard
11	936329	Yoke & Shaft
12	936315	1/4" x 1" Roll Pin
13	936376	Clamp Yoke
14	936316	Shield Bearing
15	81628	1/2" x 3 1/4" Hex Bolt
16	812364	1/2" Lock Nut

8" x 31' CONVENTIONAL AUGER GEARBOX

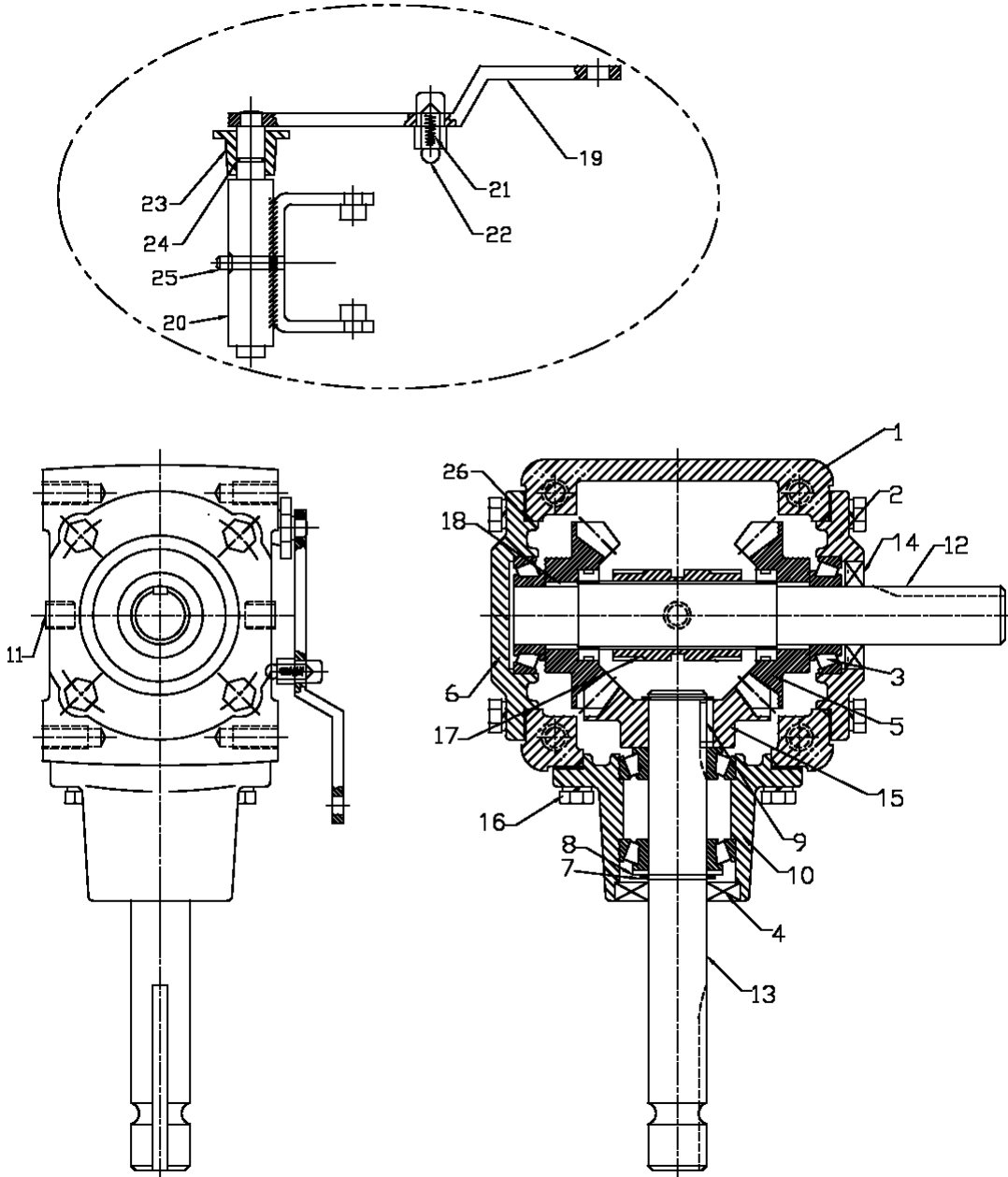


CA-28

961092 - Gearbox Parts List

Item	Part #	Description
	961092	Gearbox Complete
1	961315	Housing
2	961316	Bearing Cap
3	961317	Bearing Cap
4	961318	Cover Cap
5	93020	Bearing Cone (LM11749)
6	93019	Bearing Cup (LM11710)
7	966776	Bearing Cone (L44643)
8	966777	Bearing Cup (L44610)
9	961319	Seal (Nat. #470553)
10	961320	Retainer
11	961321	Key 1/4" sq. x 3/4" long
12	961322	Shim .005 A/R Shim .0075 A/R Shim .020 A/R
13	960818	Pipe Plug, 1/4" NPT
14	81549	5/16" x 3/4" Hex Bolt
15	81569	5/16" Lock Washer
16	961323	Gear, 90 degree Bevel, 19T
17	961324	Shim, Bearing Spacer
18	961325	Shaft
19	961326	Shaft
20	961327	Spacer Bearing

#961085 – REVERSE GEARBOX

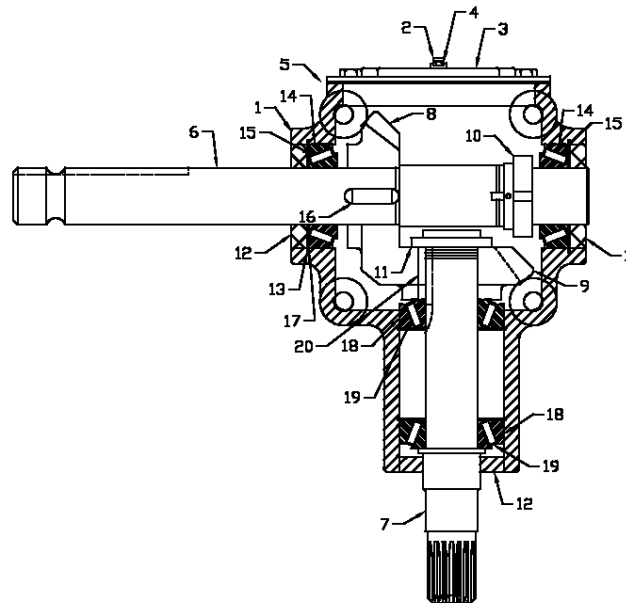


CA-30

**961085 - REVERSE GEARBOX PARTS LIST**

<b>Item</b>	<b>Part #</b>	<b>Description</b>
	961085	Gearbox Complete
1	906670	Case
2	906671	End Cap
3	966777	Bearing (L44643&L44610)
4	906673	Seal
5	906672	Gear
6	961316	End Cap
7	906674	Snap Ring
8	906675	Shim
9	961321	Key
10	906676	Quill
11	906677	3/8" NPT Solid Plug
12	906678	Output Shaft
13	906679	Input Shaft
14	961319	Seal
15	906680	Input Gear
16	906681	Cap Screw, 3/8" UNC x 3/4
17	906682	Dog
18	906683	Bronze Bushing
19-25	906684	Complete Lever Assembly
26	907450	O-Ring

10" x 31' AUGER GEARBOX

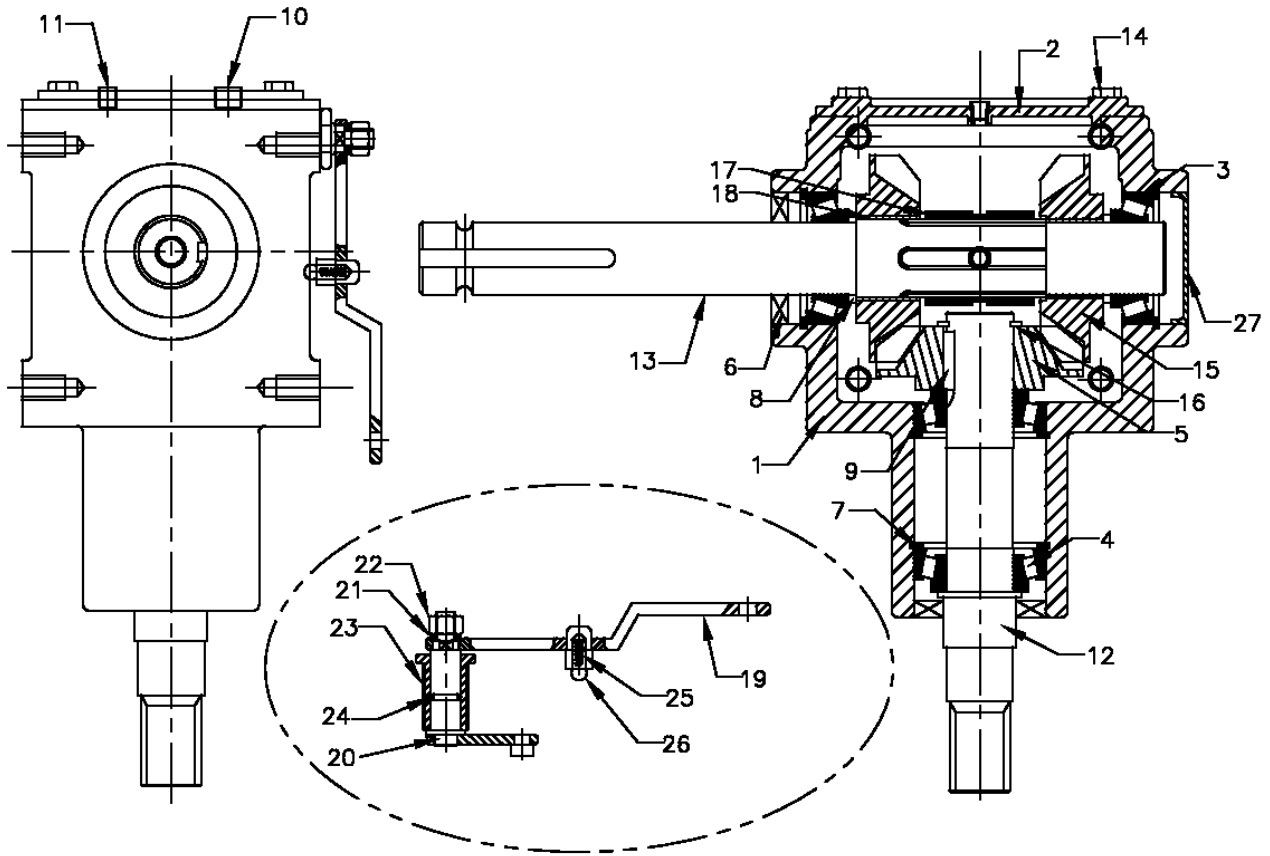


CA-29

BU50510 - Gearbox Parts List

Item #	Part #	Description
	BU50510	Gearbox Complete
1	BU50310	Gearbox Casting Only
2	BU500089-3	Pipe Plug
3	BU50457	Gearbox Cover
4	BU500167-1	Relief Valve
5	BU50458	Gearbox Gasket
6	BU50509	Cross Shaft
7	BU50502	Pinion Shaft
8	BU50329	Bevel Gear 1 1/2" B
9	BU50331	Bevel Gear 1 3/8" B
10	BU50428	Adjusting Nut
11	BU50444	Adjusting Nut
12	BU50422-1	Oil Seal (3 Used)
13	BU50415	Retainer Ring (4 Used)
14	BU575902	Bearing Cup (2 Used)
15	BU575901	Bearing Cone (2 Used)
16	BU50429	Key
17	BU50210X	Shim Set
18	BU575907	Bearing Cup (2 Used)
19	BU575906	Bearing Cone (2 Used)
20	BU50417-1	Key

961086 – REVERSE GEARBOX



CA-31

**961086 - Reverse Gearbox Parts List**

<b>Item</b>	<b>Part #</b>	<b>Description</b>
	961086	Gearbox Complete
1	906690	Case
2	906691	End Cap
3	906692	Bearing (13620&13687)
4	906693	Bearing (14276&14137)
5	906694	Gear
6	906695	Seal
7	906696	Snap Ring
8	906697	Shim
9	906698	Key
10	906699	ZG 1/8"-27 Vent Plug
11	906700	3/8" NPT Solid Plug
12	906701	Output Shaft
13	906702	Input Shaft
14	906703	Bolt 5/16" UNC x 3/4"
15	906704	Gears
16	906705	Snap Ring
17	906706	Dog
18	906707	Bronze Bushes
19-26	906708	Complete Lever Assembly
27	907453	Stamping Cap



**SHIPPING KIT AND BUNDLE NUMBERS**

The following is a list of Kit Numbers for this product and the Bundle Numbers, Descriptions, and Quantities for each Kit.

**C831E 8" x 31' ENGINE BELT-DRIVE AUGERS**

QUANTITY	BUNDLE	DESCRIPTION
1	F8800	Basic Auger, 8" x 31'
1	F0712	Undercarriage & Axle
1	F8822	Lift Arms
1	F0725	Crate of Parts

**C831P 8" x 31' BELT-DRIVE PTO AUGERS**

1	F8800	Basic Auger, 8" x 31'
1	F0712	Undercarriage & Axle
1	F8822	Lift Arms
1	F0726	Crate of Parts

**C831D 8" x 31' DIRECT DRIVE PTO AUGERS**

1	F8801	Basic Auger, 8" x 31'
1	F0712	Undercarriage & Axle
1	F8822	Lift Arms
1	F0727	Crate of Parts

**C1031E 10" x 31' TRIPLE BELT ENGINE DRIVE AUGERS**

1	F9900	Basic Auger, 10" x 31'
1	F0719	Undercarriage & Axle
1	F9911	Lift Arms
1	F0763	Crate of Parts

**C1031P 10" x 31' TRIPLE BELT-DRIVE PTO AUGERS**

1	F9900	Basic Auger, 10" x 31'
1	F0719	Undercarriage & Axle
1	F9911	Lift Arms
1	F0762	Crate of Parts

**SHIPPING KIT AND BUNDLE NUMBERS – cont'd.**

**C1031D 10" x 31' DIRECT DRIVE PTO AUGERS**

1	F9901	Basic Auger, 10" x 31'
1	F0719	Undercarriage & Axle
1	F9911	Lift Arms
1	F0761	Crate of Parts

**OPTIONAL BUNDLE NUMBERS**

The following is a list of options available for the Kits listed above.

F3003	8" Flexible Spout (galvanized)
F3004	10" Flexible Spout (galvanized)
F213	8" Poly Spout
F214	10" Poly Spout
F210	Std. Flex Hopper
F211	Big Daddy Hopper
F890	Battery Box
F0013	Reflective Safety Decal Kit
Y0017	Safety Light Kit

**Y0064 8" CLAMP-ON MOTOR MOUNT KIT**

1	F0588	8" Clamp-on Motor Mount Bundle
1	F1867	Carton of Parts
1	F1870	Belt Guard

**Y0067 10" CLAMP-ON MOTOR MOUNT KIT**

1	F1869	Carton of Parts
1	F1871	Belt Guard
1	F0589	10" Clamp-On Motor Mount Bundle



## DIVISION LOCATIONS

Farm King Division  
301 Mountain Street S.  
Morden, MB R6M 1X7  
Ph.: (204) 822-4467  
Fax: (204) 822-6348

Allied/Inland Division  
1260 Clarence Avenue  
Winnipeg, MB R3T 1T2  
Ph.: (204) 284-6100  
Fax: (204) 477-2325

B.I.I. Division  
1330 43<sup>rd</sup> Street N.W.  
Fargo, ND 58102  
Ph: (701) 282-7014  
Fax: (701) 282-5865

## U.S. WAREHOUSES

AR, West Memphis  
(870) 732-3132

GA, Stone Mountain  
(770) 908-9439

ID, Meridian  
(208) 887-6006

IN, Clarksville  
(812) 284-3376

KS, Wichita  
(316) 265-9577

MN, Lakeville  
(952) 469-5267

MT, Billings  
(406) 248-7771

ND, Bismarck  
(701) 223-1886

ND, Fargo  
(701) 282-7003

NE, Blair  
(402) 426-8211

OH, Youngstown  
(330) 793-0862

OR, Beaverton  
(503) 641-1865

SD, Huron  
(605) 352-8616

TX, Houston  
(713) 928-2632

UT, Salt Lake City  
(801) 972-4321

WI, Portage  
(608) 742-1370

## CANADIAN WAREHOUSES

B.C., Abbotsford  
(604) 864-2665

AB, Edmonton  
(780) 962-6991

SK, Regina  
(306) 781-2300

ON, Woodstock  
(519) 539-0435

QC, Dorion  
(450) 455-4840

## OFFSHORE WAREHOUSES

Burando Hill  
Katanning  
W. Australia  
011-618-98-214422

Chihuahua, Mexico  
011-52-158-90306

John Kerr Equipment Ltd.  
Wilcoxholm Farm  
Linlithgow, W. Lothian  
Scotland  
011-441-506-842280

Skovde, Sweden  
011-46-500-452651

Naestved, Denmark  
011-45-557-29511

# bühler

**Buhler Manufacturing**

**301 Mountain Street S.  
Morden MB.  
R6M 1X7  
Ph.: (204) 822-4467  
Fax: (204) 822-6348  
[www.buhler.com](http://www.buhler.com)**