

T7035

Telehandler



WEIDEMANN
designed for work



T7035 Technical specifications

Engine data Standard

Manufacturer	Perkins
Engine type	904J-E36TA
Cylinders	4
Engine performance	74.4 (102) kW (hp)
at rpm (max.)	2200 rpm
Cubic capacity	3621 cm ³
Cooling system	Water
Emissions standard level	V
Exhaust after treatment	DOC / DPF / SCR

Engine data Option

Manufacturer	Perkins
Engine type	904J-E36TA
Cylinders	4
Engine performance	90 (122) / 100 (136) kW (hp)
at rpm (max.)	2200 rpm
Cubic capacity	3621 cm ³
Cooling system	Water
Emissions standard level	V
Exhaust after treatment	DOC / DPF / SCR
Electrical system	
Operating voltage	12 V
Battery	12V 185 Ah
Alternator	150 A
Weights	
Operating weight (standard)	7250 kg
Payload (max.)	3,500 kg
Vehicle data	
Axle	PAL 1930
Cab	Cab
Ground speed (optional)	0-20 (30 / 40) km/h
Speed stages	2
Fuel tank capacity	142 l
Hydraulic oil tank capacity	90 l
Steering angle (max.)	2x45 °
Hydraulic system	
External services - Operating pressure	500 bar
Steering hydraulics - Oil flow (optional)	138.6 (187) l/min
Steering hydraulics - Operating pressure	261 bar
Drive	
Type of drive	Electronic controlled drive system
Traction drive	Hydrostatic via PTO gear and driveshaft
Noise values	
Average sound power level L _{WA}	103 dB(A)
Guaranteed sound power level L _{WA}	106 dB(A)
Specified sound pressure level L _{pA}	76 dB(A)

DOC (diesel oxidation catalytic converter)

DPF (diesel particulate filter)

SCR = Selective Catalytic Reduction

Vibrations (weighted average effective value)

Hand-arm vibrations: The hand-arm vibrations are no more than 2.5 m/s²

Whole-body vibrations: This machine is equipped with an operator's seat that meets the requirements of EN ISO 7096:2000.

When the loader is used in accordance with the intended purpose, the whole body vibrations vary from below 0.5 m/s² up to a short-term maximum value.

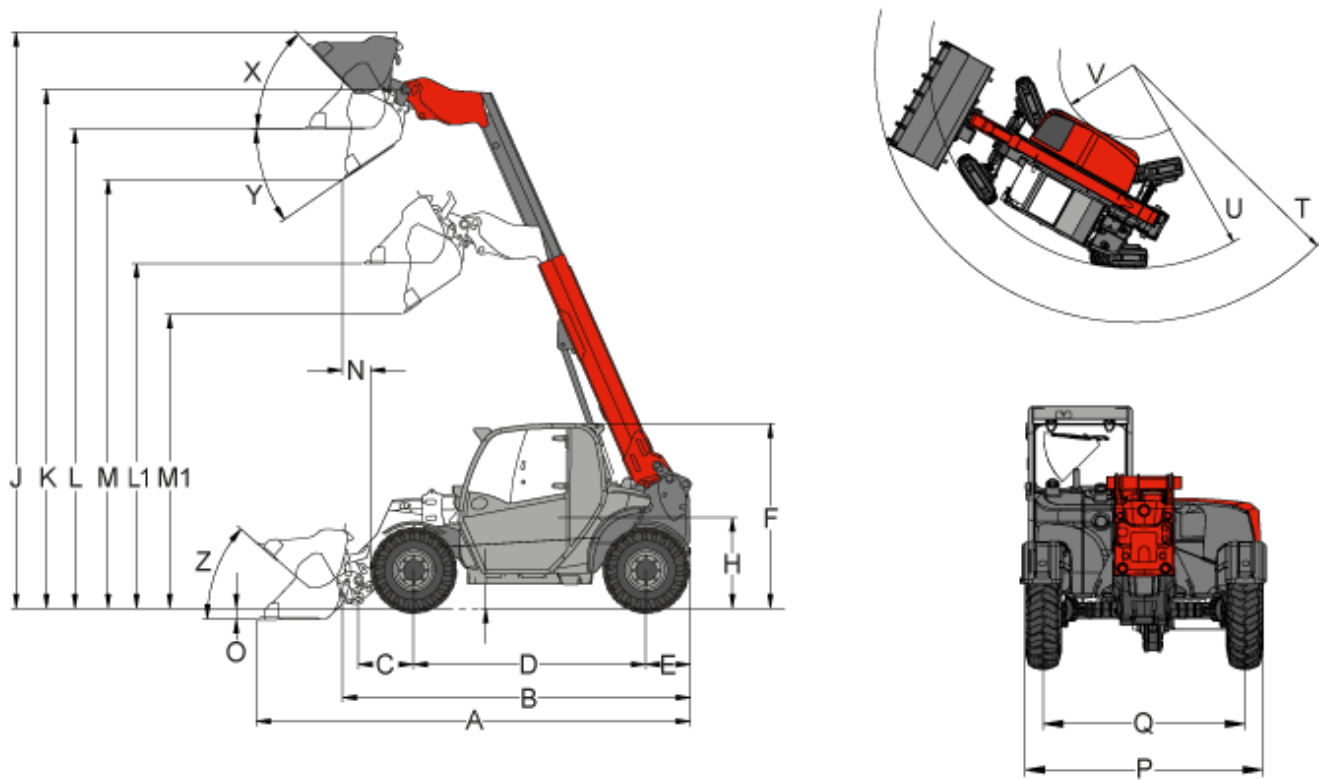
It is recommended to use the values specified in the table when calculating the vibration values according to ISO/TR 25398:2006. At the same time, the actual use conditions have to be taken into consideration.

Telehandlers, like wheel loaders, are to be classified by operating weight.

Type of loader	Typical operating conditions	Mean value			Standard deviation (s)		
		$1,4 \cdot a_{w,eqx}$ [m/s ²]	$1,4 \cdot a_{w,eqy}$ [m/s ²]	$a_{w,eqz}$ [m/s ²]	$1,4 \cdot s_x$ [m/s ²]	$1,4 \cdot s_y$ [m/s ²]	s_z [m/s ²]
Compact wheel loader (Operating weight < 4500kg)	Load & carry (loading and transport work)	0.94	0.86	0.65	0.27	0.29	0.13
Wheel loader (Operating weight > 4500kg)	Load & carry (loading and transport work)	0.84	0.81	0.52	0.23	0.2	0.14
	Application in extraction (harsh application conditions)	1.27	0.97	0.81	0.47	0.31	0.47
	Delivery drive	0.76	0.91	0.49	0.33	0.35	0.17
	V-operation	0.99	0.84	0.54	0.29	0.32	0.14

T7035
Telehandler

T7035 Dimensions



	Standard tyres	Alliance 405/70 R24
A	Total length	6,035 mm
B	Total length (without bucket)	4,950 mm
C	Axle middle to bucket pivot pin	871 mm
D	Wheelbase	2,950 mm
E	Rear overhang	700 mm
F	Height to top of cabin	2,425 mm
H	Seat top height	1,370 mm
J	Total working height	7,895 mm
K	Height of bucket pivot (max.)	7,305 mm
L1	Load-over height Retracted telescopic arm	4,470 mm
L	Load-over height Extended telescopic arm	6,770 mm
M1	Dumping height Retracted telescopic arm	3,930 mm
M	Dumping height Extended telescopic arm	6,230 mm
N	Operating distance for M	115 mm
O	Digging depth	185 mm
P	Total width	2,450 mm

Q	Track width	1,930 mm
S	Ground clearance	250 mm
T	Maximum radius external	5,155 mm
U	Radius at the outer edge	3,700 mm
V	Inside turning radius	1,640 mm
X	Rollback angle at max. lifting height	45 °
Y	Dumping angle (max.)	44 °
Z	Rollback angle (on the ground)	46 °

T7035

Telehandler

T7035 Standard components

Engine

- Perkins engine 904J-E36TA (74.4 kW / 102 hp) | EU: Stage V

Steering system

- Hydrostatic all-wheel steering with fully automatic synchronisation
- Oscillating angle of the rear axle $\pm 10^\circ$

Tyres

- Alliance 405/70 R24

Driver's cab

- With heating and ventilation, ROPS / FOPS tested with VSG safety windscreens on the right-hand side.
- Front, roof and rear windscreen wipers; adjustable steering column
- Sprung armrest with joystick mounted on seat
- 7" colour display with all important machine information
- Bottle holder; storage compartments

Driver's seat

- Comfort seat with safety belt

Lighting

- Lighting according to Road Traffic Regulations (StVZO)
- LED work lights, 1 front, 1 rear on the cabin roof

Drive / axles

- Axle: Planetary axle PAL 1930
- Drive: hydrostatic through PTO gear and driveshaft, electronically controlled
- Speed: 20 km/h
- Speed stages: 2 | 7 km/h / 20 km/h (Optional 30 / 40)
- Service brake: Multi-disc brake in the front axle acts on rear axle through universal joint shaft
- Parking brake: Electro-hydraulic, multi-disc spring-loaded brake in the front axle, acts on rear axle through universal joint shaft
- Steering types: 3 steering types, electrically adjustable

Loader unit

- Telescopic arm lifting height 7305 mm
- Mechanical quickhitch facility (Manitou system)
- Lifting cylinder: 1
- Tilting cylinder: 1

Hydraulics

- Electrical pilot-operated joystick with travel direction switch and telescoping function
- 3rd control circuit; flat face Gr. 2 connections
- vls (Vertical Lift System)

Other

- Reversing warning (audible)
- EquipCare 36 months

T7035

Telehandler

T7035 Options

Driver's cab

- Windscreen wipers, right side
- Windscreen wipers right + heated windscreen right and rear
- Protective grating for windscreen, removable
- Electrical mirror adjustment for right-hand side
- Fabric seat; air cushioning
- Fabric seat; air cushioning; heated
- Air-conditioning system
- Automatic air conditioning
- Radio-ready (antenna, speaker)
- Bluetooth radio with voice control
- 2 plug receptacles: 12V / USB
- 3 plug receptacles: 12V / USB / 3-pole
- 3 plug receptacles: 12V / 12 V / 3-pole
- Mobile phone holder

Lighting

- 2 additional, basic, LED work lights (1000 lm) at front
- 2 additional, premium, LED work lights (2000 lm) at front
- 2 additional, basic, LED work lights (1000 lm) at rear
- 2 additional, premium, LED work lights (2000 lm) at rear
- 2 basic, LED work lights (1000 lm) on telescopic arm
- Rotating LED beacon (yellow) / (must comply with national specifications!)

Permitted on public highways

- EC tractor approval (CoC) (International)
- EC tractor approval (CoC) + data confirmation for Germany
- Front and rear licence plate bracket

Drive / axles

- Perkins diesel engine 904J-E36TA 90 kW / 122 hp | EU: Stage V | DOC / DPF / SCR
- Perkins diesel engine 904J-E36TA 100 kW / 136 hp | EU: Stage V | DOC / DPF / SCR
- Reversing fan
- Engine pre-heater (coolant) 230 V
- Engine pre-heater (coolant) + hydraulic oil pre-heater 230 V
- Radiator maintenance access
- 100% differential lock in front axle
- Drive mode Auto / Eco mode
- Proportional speed limiter (slow speed facility) incl. manual throttle
- 30 km/h (speed increase)
- 40 km/h Power Drive 255 (speed increase)
- Sealed underbody protection

Tyres

- Firestone 460/70 R24 Duraforce
- Michelin 460/70 R24 XMCL
- Michelin 460/70 R24 Bibload

Loader unit

- Manitou hydraulic
- Kramer mechanical
- Kramer hydraulic
- JCB (Q-Fit) hydraulic
- Matbro hydraulic
- Dirt scrapers, telescopic arm
- Load arm damping & tipping cylinder lock
- Load arm damping, floating position & tipping cylinder lock

Hydraulics

- Panolin HLP Synt46 (bio-hydraulic fluid (oil))

Hydraulics in front

- Large pump (187 l/min)
- Reversing valve in front on 3rd control circuit (3rd control circuit with 4 couplings)
- Pressure release for 3rd control circuit front on telescopic arm

Hydraulics at rear

- A hydraulic connection in rear, dual acting (two couplings) + tipping connection in rear, single-acting (one coupling)

Electrics front

- Socket front 13-pole (2x electrical functions E1/E2 and lighting), operation: Via 2 touch buttons on joystick; 1st function momentary, 2nd function latching
- Socket front 13-pole (2x electrical functions E1/E2 and lighting), operation: Via 2 touch buttons on joystick; 1st function latching, 2nd function momentary
- Socket front 13-pole (2x electrical functions E1/E2 and lighting), operation: Via 2 touch buttons on joystick; 1st function momentary, 2nd function momentary
- Socket front 13-pole (2x electrical functions E1/E2 and lighting), operation: Via 2 touch buttons on joystick; 1st function latching, 2nd function latching

Electric rear

- Socket at rear, 7-pole for lighting rear attachments

Safety options

- KAT drive interlock (operation: via coded ignition switch key)
- Internal panoramic mirror
- Rear-view camera
- Front-view camera, incl. additional display

Custom-made paint finish

- Single colour RAL custom paint finish - instead of Weidemann red

Coupling and retrieval devices

- Mirror for trailer coupling
- Stacker coupling (not permitted for trailer operation!)
- Automatic tow hitch
- Auto hitch
- Pillow block for trailer coupling
- Automatic ball hitch for trailer, height adjustable for pillow block
- K80 ball hitch for trailer, height adjustable for pillow block
- K50 ball hitch for trailer, height adjustable for pillow block
- K50 ball hitch for trailer, long, height adjustable for pillow block

- Piton-Fix ball hitch, height adjustable for pillow block
- Hydraulic trailer brake
- Dual-line, pressure air-brake system

Other

- Tool box
- Fully automatic central lubrication unit
- Service valve for engine oil change
- Central tunnel cover
- Warranty extension Economy 24 months (2500 hr)
- Warranty extension Economy 36 months (3000 hr)
- Warranty extension Economy 48 months (3500 hr)
- Warranty extension Economy 60 months (4000 hr)
- Warranty extension Premium 24 months (3000 hr)
- Warranty extension Premium 36 months (4000 hr)
- Warranty extension Premium 48 months (5000 hr)
- Warranty extension Premium 60 months (6000 hr)

Please note: that product availability can vary from country to country. It is possible that information / products may not be available in your country. More detailed information on engine power can be found in the operator's manual; the stated power may vary due to specific operating conditions. Subject to alterations and errors excepted. Applicable also to illustrations.

Copyright © 2022 Weidemann GmbH.