

1880 Hoftrac



WEIDEMANN
designed for work



1880 Technical specifications

Engine data Standard

| | |
|--------------------------|----------------------|
| Manufacturer | Perkins |
| Engine type | 404J-E22T |
| Cylinders | 4 |
| Engine performance | 45 (61) kW (hp) |
| at rpm (max.) | 2800 rpm |
| Cubic capacity | 2200 cm ³ |
| Cooling system | Water |
| Emissions standard level | V |
| Exhaust after treatment | DPF / DOC |

Electrical system

| | |
|---|-----------------------|
| Operating voltage | 12 V |
| Alternator | 85 A |
| Weights | |
| Operating weight (standard) | 3400 kg |
| Tipping load with bucket - machine straight | 2086 kg |
| Tipping load with bucket - machine articulated | 1692-1898* kg |
| Tipping load with pallet fork - machine straight | 1731 kg |
| Tipping load with pallet fork - machine articulated | 1459-1605* kg |
| Vehicle data | |
| Axle | PA 940 |
| Cab (optional) | FSD (cab) |
| Ground speed (optional) | 0 - 20 (28) km/h |
| Speed stages | 2 |
| Fuel tank capacity | 65 l |
| Hydraulic oil tank capacity | 35 l |
| Hydraulic system | |
| External services - Operating pressure | 450 bar |
| Steering hydraulics - Oil flow (optional) | 56 (63-100) l/min |
| Steering hydraulics - Operating pressure | 210 bar |
| Drive | |
| Type of drive | Hydrostatic |
| Traction drive | Universal joint shaft |
| Noise values | |
| Average sound power level L _{WA} | 99.8 dB(A) |
| Guaranteed sound power level L _{WA} | 101 dB(A) |
| Specified sound pressure level L _{pA} | 82 dB(A) |

* Mit optionaler Ausstattung (z.B. Kabine, Achse, Bereifung, Ballastgewicht, Gussheckgewicht usw.)

Kipplastberechnung nach ISO 14397

FSD = Fahrerschutzdach

eps = Easy Protection System (klappbares Fahrerschutzdach)

DPF = Dieselpartikelfilter

Vibrationen (gewichteter Effektivwert)

Hand-Arm-Vibrationen: Die Hand-Arm-Vibrationen betragen nicht mehr als $2,5 \text{ m} / \text{s}^2$

Ganzkörpervibrationen: Diese Maschine ist mit einem Fahrersitz ausgerüstet der die Anforderung von EN ISO 7096:2000 erfüllt.

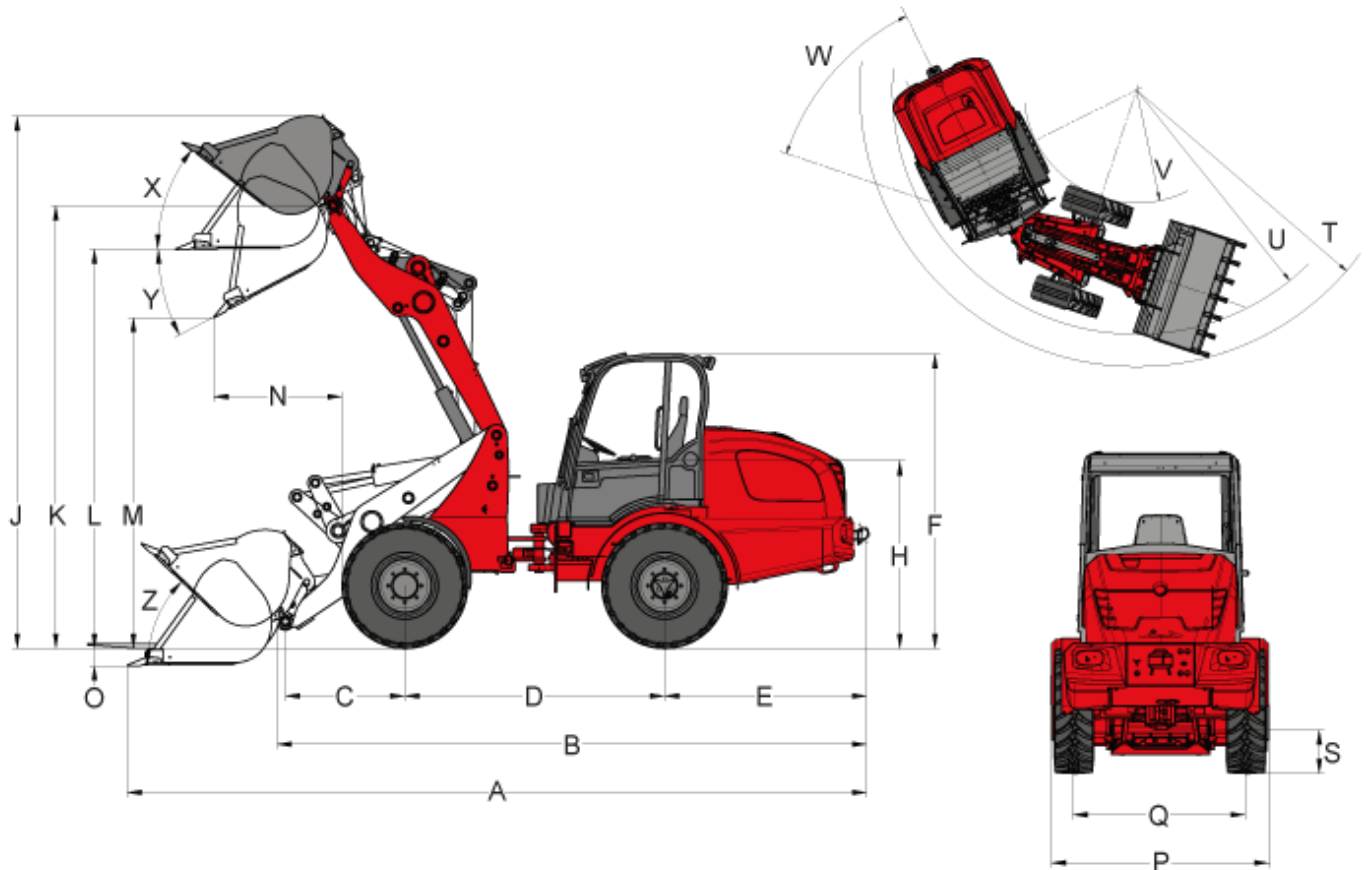
Bei bestimmungsgemäßer Verwendung des Laders variieren die Ganzkörpervibrationen von unter $0,5 \text{ m} / \text{s}^2$ bis zu einem kurzfristigen Maximalwert.

Es wird empfohlen, bei der Berechnung der Vibrationswerte nach ISO/TR 25398:2006, die in der Tabelle angegebenen Werte zu verwenden. Dabei sind die tatsächlichen Einsatzbedingungen zu berücksichtigen.

Teleskoplader sind wie Radlader nach Betriebsgewicht einzuordnen.

| Laderart | Typische Betriebsbedingung | Mittelwert | | | Standardabweichung (s) | | |
|---|---|--|--|------------------------------------|--|--|------------------------------|
| | | $1,4 \cdot a_{w,eqx}$ [m/s ²] | $1,4 \cdot a_{w,eqy}$ [m/s ²] | $a_{w,eqz}$ [m/s ²] | $1,4 \cdot s_x$ [m/s ²] | $1,4 \cdot s_y$ [m/s ²] | s_z [m/s ²] |
| Kompakt-Radlader (Betriebsgewicht < 4500kg) | Load & carry (Lade- und Transportarbeiten) | 0,94 | 0,86 | 0,65 | 0,27 | 0,29 | 0,13 |
| Radlader (Betriebsgewicht > 4500kg) | Load & carry (Lade- und Transportarbeiten) | 0,84 | 0,81 | 0,52 | 0,23 | 0,2 | 0,14 |
| | Einsatz in der Gewinnung (raue Einsatzbedingungen) | 1,27 | 0,97 | 0,81 | 0,47 | 0,31 | 0,47 |
| | Überführungsfahrt | 0,76 | 0,91 | 0,49 | 0,33 | 0,35 | 0,17 |
| | V-Betrieb | 0,99 | 0,84 | 0,54 | 0,29 | 0,32 | 0,14 |

1880 Dimensions



| | | 1880 FSD | 1880 cab |
|---|---------------------------------------|----------|----------|
| A | Total length | 4,715 mm | 4,715 mm |
| B | Total length (without bucket) | 4,022 mm | 4,022 mm |
| C | Axle middle to bucket pivot pin | 675 mm | 675 mm |
| D | Wheelbase | 1,952 mm | 1,952 mm |
| E | Rear overhang | 1,290 mm | 1,290 mm |
| F | Height to top of overhead guard fixed | 2,336 mm | |
| F | Height to top of cabin | | 2,346 mm |
| H | Seat top height | 1,349 mm | 1,349 mm |
| J | Total working height | 3,675 mm | 3,943 mm |
| K | Height of bucket pivot (max.) | 3,203 mm | 3,203 mm |
| L | Load-over height | 2,861 mm | 2,885 mm |
| M | Dumping height | 2,454 mm | 2,433 mm |
| N | Operating distance for M | 198 mm | 257 mm |
| O | Digging depth | 104 mm | 41 mm |
| P | Total width | 1,214 mm | 1,214 mm |
| Q | Track width | 950 mm | 950 mm |

| | | | |
|---|---------------------------------------|----------|----------|
| S | Ground clearance | 270 mm | 248 mm |
| T | Maximum radius external | 3,447 mm | 3,434 mm |
| U | Radius at the outer edge | 3,171 mm | 3,171 mm |
| V | Inside turning radius | 1,831 mm | 1,831 mm |
| W | Inclination angle | 45 ° | 45 ° |
| X | Rollback angle at max. lifting height | 52 ° | 50 ° |
| Y | Dumping angle (max.) | 41 ° | 48 ° |
| Z | Rollback angle (on the ground) | 42 ° | 39 ° |

1880

Hoftrac

1880 Standard components

Motor

- Perkins 404 J-E22TA (45 kW / 61 HP), Stage V

Drive system

- PA940 planetary axle
- Hydrostatic all-wheel drive, travel direction can be selected via joystick
- Service brake: Hydrostatic drive system acting on all 4 wheels (wear-free)
- Central service and parking brake in the drive train acting on all 4 wheels
- 100% differential lock, electric-hydraulically connectable on front and rear axle
- Tires 10.0 / 75 - 15.3 AS ET-5

Steering system

- Hydraulic articulated pendulum steering, 12° oscillating angle

Hydraulics

- 3rd control circuit in front electrically proportional in parallel via joystick
- Hydraulic oil cooler
- Floating position for lift cylinder

Driver's Cabin

- Operator's canopy with retaining system roll-over protective structure / FOPS-tested, including rear window, laterally tiltable driver's cabin
- Comfort seat with safety belt, fully suspended, weight, back and horizontal adjustment
- Joystick with direction control switch and integrated touch button for differential lock
- Adjustable steering column

Other

- Working lights (2 front, 2 rear)
- Operating hour meter
- Battery circuit breaker
- Fuel display
- Hydraulic quick-change system for attachments
- Toolbox in the vehicle rear
- Bucket status display
- Self-recovery coupling

1880

Hoftrac

1880 Options

Motor

- Engine pre-heater + hydraulic oil pre-heater 230 V

Drive system

- Hand inching (creep speed controller)
- Speed increase to 28 km/h
- Load arm dampening

Driver's Cabin

- Roof lining for operator's canopy
- Front window complete with wiper
- 2-door cabin, including heating and ventilation
- Air-cushioned comfort seat (artificial leather / fabric)
- Heated seat
- Air-conditioning system
- Cabin plug receptacle 230 V

Lighting

- Lighting according to Road Traffic Regulations
- MEGA working lights (2 front, 2 rear)
- LED working lights (2 front, 2 rear)
- Rotating beacon

Hydraulics

- Unpressurised reverse travel (front / rear)
- 3rd control circuit, electrically, proportionally, serial
- 4th additional control circuit electrically proportional in parallel
- Work hydraulics of large pump (63 l/min)
- Work hydraulics of large pump (70 l/min)
- High flow single-acting performance hydraulics (100 l/min)
- Additional hydraulic oil cooler
- Dual-acting hydraulic connection in rear (30 l/min) proportional (two couplings) via reversing valve
- Dual-acting hydraulic connection in rear (30 l/min) (two couplings), including separate steering valve
- 2x hydraulic connection in rear (30 l/min) dual acting (four couplings), including separate steering valve

Electrical connections

- Front plug receptacle, 7-pole for lighting front attachments
- Front plug receptacle, 3-pole (dual function)
- Plug receptacle for rear attachments, 7-pin
- Triple-pole rear plug receptacle

Other

- Radio
- Reversing warning system
- Load-lowering valve
- Combination case with warning triangle and first-aid kit
- Tool kit
- Fire extinguisher 2kg

- Technical Inspection Authority expert's report
- Automatic trailer coupling
- Approval as self-propelled work machine with AHK*
- Registration plate mounting
- Fully automatic central lubrication unit
- Custommade paint finish
- Hand lever grease gun

* Trailer coupling

Please note: that product availability can vary from country to country. It is possible that information / products may not be available in your country. More detailed information on engine power can be found in the operator's manual; the stated power may vary due to specific operating conditions. Subject to alterations and errors excepted. Applicable also to illustrations.

Copyright © 2022 Weidemann GmbH.