

# 1260LP

## Hoftrac



**WEIDEMANN**  
*designed for work*



### 1260LP Technical specifications

#### Engine data

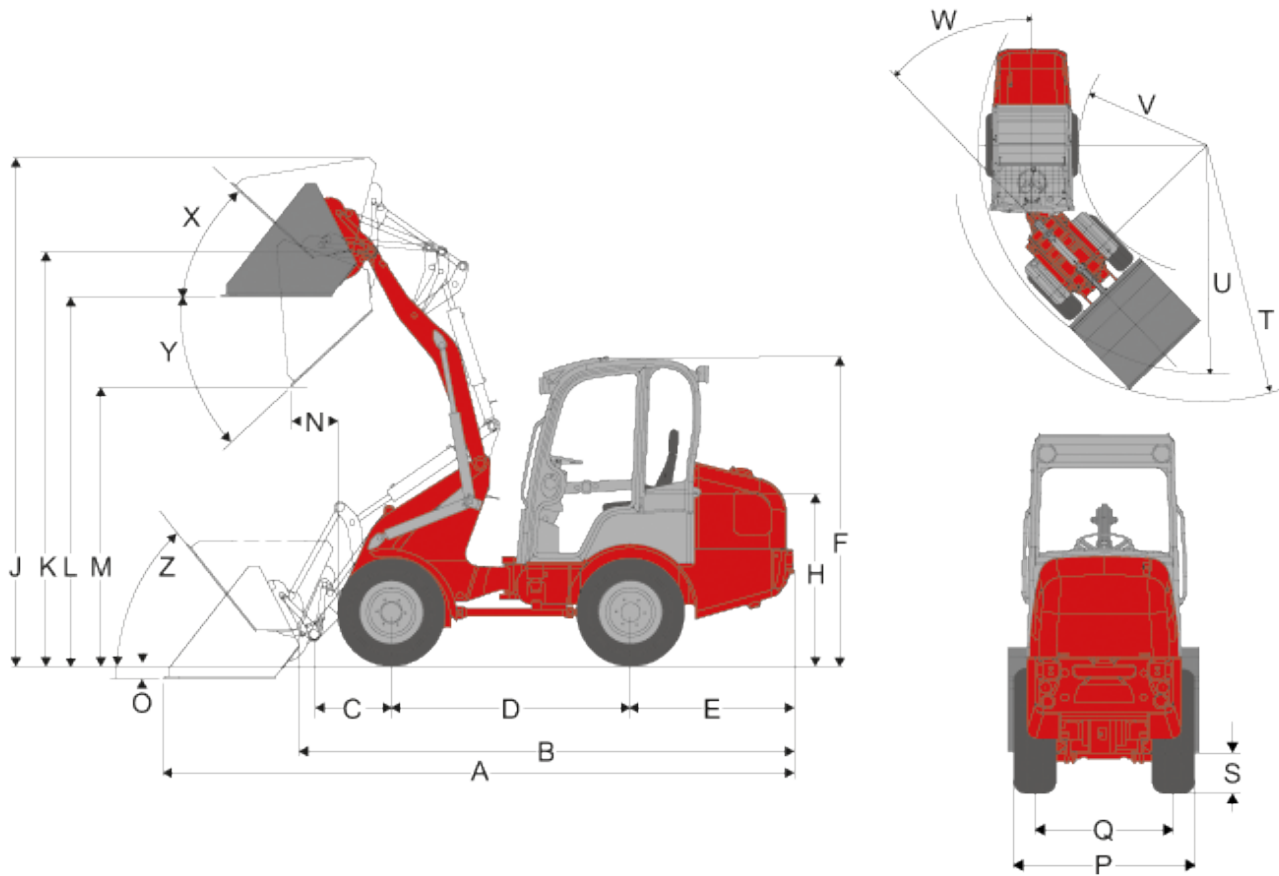
Manufacturer	Perkins
Engine type	403 J-17
Cylinders	3
Engine performance	18.4 (25) kW (hp)
at rpm (max.)	2800 rpm
Cubic capacity	1663 cm <sup>3</sup>
Cooling system	Water
Emissions standard level	V
Exhaust after treatment	-

#### Electrical system

Operating voltage	12 V
Battery	77 Ah
Alternator	85 A
<b>Weights</b>	
Operating weight (standard)	2100 kg
Tipping load with bucket - machine straight	1160-1690 kg
Tipping load with bucket - machine articulated	980-1440 kg
Tipping load with pallet fork - machine straight	890-1260 kg
Tipping load with pallet fork - machine articulated	740-1080 kg
<b>Vehicle data</b>	
Axle	-
Cab (optional)	FSD (cabin)
Ground speed	0-20 km/h
Speed stages	1
Fuel tank capacity	18 l
Hydraulic oil tank capacity	18 l
<b>Hydraulic system</b>	
External services - Operating pressure	420 bar
Steering hydraulics - Oil flow	44.8 l/min
Steering hydraulics - Operating pressure	185 bar
<b>Drive</b>	
Type of drive	Direct Wheel Drive
Traction drive	hydrostatic via four wheel hub motors (medium pressure)
<b>Noise values</b>	
Average sound power level LwA	101 dB(A)
Guaranteed sound power level LwA	101 dB(A)
Specified sound pressure level LpA	84 dB(A)

1260LP  
Hoftrac

1260LP Dimensions



	Variant Standard (lifting height 2510 mm) Standard tyres 27x8.50-15 EM ET30	Option (lifting height 2700 mm) 27x8.50-15 EM ET30	Option (lifting height 2900 mm) 27x8.50-15 EM ET30
A	Total length 3,830 mm	3,830 mm	4,030 mm
B	Total length (without bucket) 3,240 mm	3,240 mm	3,440 mm
C	Axle middle to bucket pivot pin 505 mm	505 mm	704 mm
D	Wheelbase 1,670 mm	1,670 mm	1,670 mm
E	Rear overhang 955 mm	955 mm	955 mm
F	Height to top of overhead guard fixed 1,980 mm	1,980 mm	1,980 mm
	Height to top of cabin		

		1,990 mm	1,990 mm	1,990 mm
H	Seat top height			
		1,000 mm	1,000 mm	1,000 mm
J	Total working height			
		3,050 mm	3,230 mm	3,440 mm
K	Height of bucket pivot (max.)			
		2,510 mm	2,700 mm	2,900 mm
L	Load-over height			
		2,240 mm	2,420 mm	2,630 mm
M	Dumping height			
		1,790 mm	2,040 mm	2,240 mm
N	Operating distance for M			
		80 mm	275 mm	210 mm
O	Digging depth			
		120 mm	100 mm	130 mm
P	Total width			
		980 mm	980 mm	980 mm
Q	Track width			
		761 mm	761 mm	761 mm
S	Ground clearance			
		208 mm	208 mm	208 mm
T	Maximum radius external			
		3,100 mm	3,020 mm	3,020 mm
U	Radius at the outer edge			
		2,730 mm	2,730 mm	2,730 mm
V	Inside turning radius			
		1,610 mm	1,610 mm	1,610 mm
W	Inclination angle			
		43 °	43 °	43 °
X	Rollback angle at max. lifting height			
		49 °	50 °	47 °
Y	Dumping angle (max.)			
		50 °	39 °	40 °
Z	Rollback angle (on the ground)			
		48 °	48 °	49 °

All values with a standard bucket and standard tyres

## 1260LP

Hoftrac

### 1260LP Standard components

#### Engine

- Perkins 403 J-17; Stage V (18.4 kW / 25 hp)

#### Steering system

- Hydraulic articulated pendulum steering

#### Driver's cab

- Overhead guard with retaining system ROPS/FOPS tested
- Generous space provision in all drivers' cabs
- Ergonomically generous entry
- Rear window
- Rear-view mirror, inside

#### Driver's seat

- Comfort seat with safety belt, fully suspended, weight, back and horizontal adjustment

#### Lighting

- LED work lights, 2 front, 1 rear on the overhead guard

#### Drive / axles

- Drive: hydrostatic via four wheel hub motors (medium pressure)
- Speed: 20 km/h
- Speed stages: 1
- Service brake: Hydrostatic drive system acting on all 4 wheels (wear-free)
- Parking brake: Electro-hydraulic multi-disc brake on the rear axle

#### Tyres

- 27 x 8.50 - 15 EM ET30

#### Loader unit

- Load arm lifting height 2510 mm
- Quickhitch facility (Weidemann MV/TH - C ) mechanical
- Kinematics: P
- Lifting cylinder: 2
- Tilting cylinder: 1
- Floating position for lift and tipping cylinders

#### Hydraulics

- Mechanical pilot-operated joystick with forward-reverse control switch
- 3rd control circuit front via lever
- Hydraulic oil cooler

## 1260LP

Hoftrac

### 1260LP Options

#### Driver's cab

- 1-door cabin, including heater and ventilation (hinged window to right)
- Faux-leather seat
- Faux-leather seat; air cushioned
- Faux leather seat; air cushioning; heated seat
- Fabric seat (standard for cab)
- Fabric seat
- Fabric seat; air cushioning
- Fabric seat; air cushioning; heated
- Radio-ready (antenna, speaker)
- Complete radio kit
- 3-pole outlet
- Adjustable steering column (inclination)

#### Lighting

- Lighting according to Road Traffic Regulations (StVZO) (incl. rear-view mirror, external) (width of lighting external: 1004 mm)
- LED Performance working lights (2000 lm) on roof, 2 at the front, 2 at the rear
- Rotating LED beacon (yellow)

#### Permitted on public highways

- Individual operating permit < 25 km/h
- Front and rear licence plate bracket
- Triangular warning plate

#### Drive / axles

- Engine pre-heater (coolant) + hydraulic oil pre-heater 230 V

#### Tyres

- See here »
- Hydro inflation, all wheels
- Hydro inflation, front wheels
- Hydro inflation, rear wheels

#### Loader unit

- High lifting height (2700 mm)
- High lifting height (2900 mm)
- Lowering brake valve (hose burst valve for lift and tipping cylinders)
- Load arm damping

#### Quickhitch plates

- Weidemann HV/HT - C (hydraulic)
- Weidemann HV/HT - C - ECS (hydraulic - easy coupler system)
- Euro (hydraulic - ISO23206 EURO HV) (incl. two couplings SVK Gr. 3)
- SMS HV (hydraulic)

#### Hydraulics

- Panolin HLP Synt46 (bio-hydraulic fluid (oil))

#### Hydraulics in front

- 3rd control circuit via lever (two flat face couplings Gr. 2) including latch for simple control of joystick
- 3rd comfort control circuit, including single latch on lever for 3rd control circuit, operation: Via joystick touch buttons + tip in and tip out
- 4th comfort control circuit, including single latch on lever for 3rd control circuit, operation: Via joystick touch buttons + tip in and tip out
- 4th additional control circuit via 4-way valve, including single latch on lever for 3rd control circuit, operation: via separate lever
- Unpressurised return line (1 x flat face Gr.3, plug) including overflow oil line (1 x flat face Gr. 2, plug)

#### Electrical system

- Front: Front outlet, 13-pole
- Rear: Rear outlet, 7-pole for lighting rear attachments

#### Safety options

- Reversing warning (audible)

#### Custom-made paint finish

- Single colour RAL custom paint finish - instead of Weidemann red
- Multicolour RAL custom paint finish

#### Other

- Ballast weight floor plate (100 kg)
- EquipCare 36 months (incl. App & Manager)
- Toolbox incl. tool set and hand lever grease gun
- Combination box (for combination bag)
- Combination bag (warning triangle / first aid kit)

#### Warranty extension (not discountable)

- Economy 24 months (2500 hr)
- Economy 36 months (3000 hr)
- Economy 48 months (3500 hr)
- Economy 60 months (4000 hr)
- Premium 24 months (3000 hr)
- Premium 36 months (4000 hr)
- Premium 48 months (5000 hr)
- Premium 60 months (6000 hr)

#### Coupling and retrieval devices

- Stacker coupling (not permitted for trailer operation!)

Please note: that product availability can vary from country to country. It is possible that information / products may not be available in your country. More detailed information on engine power can be found in the operator's manual; the stated power may vary due to specific operating conditions. Subject to alterations and errors excepted. Applicable also to illustrations.

Copyright © 2022 Weidemann GmbH.