

Telehandler T6027



WEIDEMANN
designed for work



The versatile telehandler.
Up and away with 6 meters of lift height.

Our largest telehandler in the 2 x 2 meter class.

The compact Weidemann telehandlers are unique in their combination of lift height, width and machine capacity. With its 6 meter lift height and a payload of 2.7 tons, the T6027 was designed for medium to large operations. The very good maneuverability and the high level of stability of the machine allow for a broad range of work.

Comfort for the operator. The spacious cab offers plenty of headroom and mobility. In this way, the driver can concentrate entirely on the essentials and also comfortably and safely work in tough applications as well.

Three driving speeds. Three driving speeds are available in order to ensure maximum flexibility and efficient work for the operator (0-7 km/h, 0-15 km/h and 0-20 km/h). 30 km/h is optionally also available.



Change attachments without climbing down. The hydraulic locking makes your work easier and your Weidemann particularly versatile and flexible. It is converted for new jobs within seconds.

Excellent circumferential visibility. The T6027 offers a particularly good view to the right thanks to the dished sloping engine hood. The side window of the cabin as well as the rear window can optionally be heated. This improves the view considerably in the winter. Where passages of under 2 meters are not necessary, the operator receives an even better overview of the entire operating area due to the cabin rise by 12 cm.

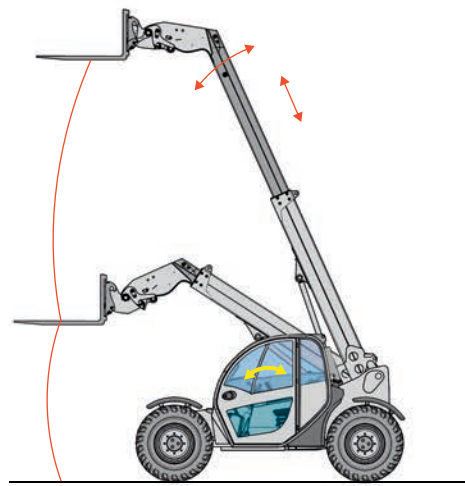
Suitable for trailer operation. Optionally various trailer couplings are available: from the simple shunting hitch to a semi-automatic to the auto-hitch trailer coupling*.



Good serviceability. With only one hand, the engine hood can be opened to the front for regular service and maintenance work. Hydraulic oil tank, air cleaner, engine oil filling, oil-level dipstick, and cooling water can therefore be accessed quickly and easily.



* Not available in all countries



● **The vls (Vertical Lift System).**

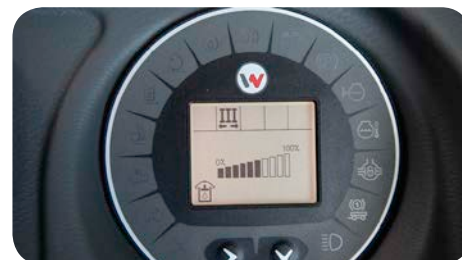
The multiple award-winning driver assistance system vls (Vertical Lift System) is established among the Weidemann telehandlers and was also used with the T6027. Due to the nearly vertical lifting or lowering movement, the stability of the machine is improved. With vls, the operator can choose between three different modes: bucket, stacking and manual mode.

○ **Automatic bucket return.**

The position of the tool holding fixture can be saved by pressing the corresponding touch button on the joystick. During the next loading process, the attachment can thus be positioned back to exactly the same position. The automatic bucket return therefore offers added comfort and speed for the operator for recurring work, such as stacking or filling bins at a set height.

○ **Reverse fan.**

A contamination of the ventilation grill, e.g. from loading hay, can be countered with the reverse fan. The hydraulic motor and the pump are designed so that the air flow of the fan can be reversed (ability to be reversed). At the push of a button in the cabin, the contamination on the intake surfaces of the engine hood is simply blown away.



○ **Pressure release of 3rd control circuit.**

The telehandler T6027 offers a special feature for the coupling and decoupling of hydraulically operated attachments: The knob for the pressure release of the 3rd control circuit is easily accessible from outside on the telescopic arm. In this way, different attachments can be replaced even faster and more efficiently. This works with the ignition or engine switched on.

○ **Hydraulic oil volume adjustment.**

If necessary, the flow rate of the hydraulic oil can be manually set using the "jog dial" control element. This is advantageous if the machine drives a hydraulic attachment, which does not require the full hydraulic performance of the machine. The operator can thus work with the machine and attachment very sensitively and in a resource-conserving manner.

● **Ergonomic working area.**

The cabin was designed and developed according to the latest findings from safety technology and ergonomics: plenty of legroom, clearly arranged instrument cluster, comfortable operator's seat and an optimal view of the attachment. A working area that motivates the operator and fully supports the operator.

Three types of steering for maximum flexibility.

All-wheel steering

Total maneuverability and power in the smallest of areas.

Front drum steering

Safe driving, even at higher speeds.

Crab steering

Driving sideways for ultra-precise maneuvering in confined spaces, such as pushing work against walls.



Specifications and dimensions

ENGINE DATA	T6027
Manufacturer	Kohler
Type of engine	KDI 2504 TCR
Cylinders	4
Max. engine output kW/hp	55.4 / 74
at max. speed rpm	2,600
Displacement cm ³	2,482
WEIGHTS	
Operating weight (standard) kg	5,225
Payload kg	2,700
VEHICLE DATA	
Driving speed (optional) km/h	0-7, 0-15, 0-20 (30)
Travel speeds increase / reduction	3
Fuel tank capacity l	100
Hydraulic oil tank capacity l	75
HYDRAULIC SYSTEM	
Drive hydraulics working pressure bar	450
Work hydraulics discharge volume l/min	90
Work hydraulics working pressure bar	240
DIMENSIONS	
Standard tires	12.5-18 MPT-01
Total length mm	4,958
Height with low cabin mm	1,980
Height with high cabin mm	2,100
Max. height of bucket pivot point mm	6,080
Total width mm	1,960
Inner radius mm	1,700



WEIDEMANN
designed for work

The Weidemann product range.



The multifunctional Hoftracs®.
Powerful helper for every application.
Our innovation: the fully electric
1160 eHoftrac®.



The powerful wheel loader.
Available either with loading arm or telescopic boom.



The compact telehandler.
Aim high with optimal stability.



Attachments and tires.
Your Weidemann machine becomes a multi-tool. The
optimal attachment and the right tires for every task.



WM.EMEA.10236.V01.EN/05/2016

Weidemann GmbH
Mühlhäuser Weg 45 - 49
34519 Diemelsee-Flechtendorf
Germany
Tel. +49(0)5633 609-0
Fax +49(0)5633 609-666
info@weidemann.de
www.weidemann.de