

**Attachments.**

Your machine becomes a multi-tool.



## The optimal tool for every task.

Only the right attachment makes our machines into true problem solvers for your respective work task. The Weidemann attachments were designed specifically for this purpose. With the richly varied and well-thought-out product range, our machines become highly functional multi-tools that meet any application.

# Table of contents.

**The perfect interplay** 6-7

**Weidemann supports** 8-9

## **Weidemann attachments**

Square light materials bucket	10
Round light materials bucket	11
Digging bucket	12
Multi-purpose bucket	13
Stone bucket	14
High tip bucket	15
Small shear grab	16
Large shear grab	17
Dozing bucket	18
Ground planer	19
Waste container	20
Work platform	21
Pallet fork	22
Fold-down pallet fork	23
Box rotator	24
Hydraulically adjustable pallet fork	25
Logging grab in a fork shape	26
Logging grab in sickle shape	27
Stump grinder	28
Ripper	29
Rotary sweeper model 20	30
Rotary sweeper model 25	31
Rotary sweeper model 520	32
Rotary sweeper model 30	33
Weed brush	34
Sweeper	35
Mulcher	36
Flail mower with collecting tray	37
Rear trimmers	38
Pruning saw	39
Double-blade rotary mower	40
Fence mower	41
Earth auger	42
Pot gripper	43
Riding arena and track leveller	44
Stable helper	45
Fork & grab, small	46
Fork & grab, large	47
Dung fork	48

Round bale grapple	49
Round and square bale grapple	50
Round and square bale grapple	51
Round bale transport device	52
Round bale stacking device	53
Round bale un-roller	54
Bale spear	55
Big bale fork	56
Large bale fork, fold-down	57
Square bale stacking device	58
Chopper for round and square bales	59
Silage cutting blade	60
Bale cutting blade	61
Silage grapple	62
Silage rake	63
Material slide	64
Feed clearer	65
Feed distributor	66
Feed dosing bucket with worm gear	67
Mechanical feed slide plate	68
Hydraulically activated feed slide plate	69
Rotary slide (feed wheel)	70
Rubber slide	71
Spreading device	72
Stall planer	73
Snowplough	74
V snowplough	75
Snow blower	76-77
Small salt/gravel spreader	78
Large salt/gravel spreader	79

**Weidemann machines in application** 80-81

**Options** 82-83

**Weidemann – designed for work** 84

**Your strong partner** 85

## The perfect Match

of man, machine and attachment.



### Excellent all-round visibility.

Everything in view, surprised by nothing – and all of this very comfortably. That's how you sit in a Weidemann wheel loader. The ergonomically designed working area provides plenty of legroom and offers clearly arranged instrument clusters and a clear view of the attachment.



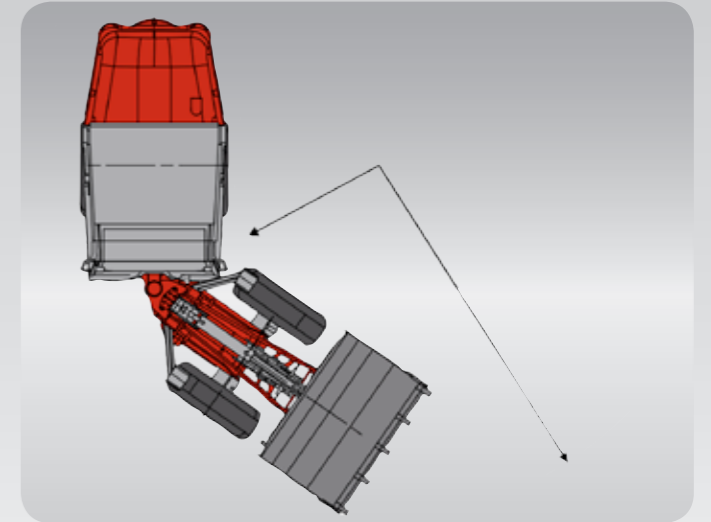
### High shear forces.

Due to the optimal ratio between the pushing power and machine capacity, you work flexibly and with economical fuel consumption. If necessary, the connectable 100% differential lock ensures maximum traction and pushing power – switched off during normal driving operation; it protects the axles and tyres.



### Efficient work begins with the operation.

In order to be able to work efficiently, the control between the machine and tool must be perfectly co-ordinated. This is standard at Weidemann. For example, all-important functions can be conveniently controlled with just one hand with the multifunction lever or the joystick.



### Enormous manoeuvrability.

Due to the automatic steering of the front carriage and the attachment, our loaders achieve an amazingly small turning radius.



### Flexible tool exchange.

Without leaving your operator's seat, easily and quickly switch out your different attachments with the hydraulically activated tool lock.

# Weidemann supports.

Hydraulic design.

## The right holding fixture for every machine:

<b>1. Hoftrac® support</b>	2070LPT
1140 / 1140 Basic Line	2080T
1160 eHoftrac®	3080LPT
1240LP	3080T
1260	4080LPT
1280	4080T
1350CC	5080T
1380	T4108
1880	T4512
2070LP	T5522
2080	T6027



<b>2. 30-series wheel loader support</b>
3080LP
3080



<b>3. 40/50-series wheel loader support</b>
4080LP
4080
5080



- The Hoftrac® and the 30-series wheel loader support are the same in setup, but the roll-in angle and pitch are different due to the different kinematics.
- The 40/50-series wheel loader support is built even more sturdily, has reinforced bolts and is wider than the Hoftrac® or 30-series wheel loader support.
- If desired, additional support (e.g. Euro) or adapter plates are available.



30-series wheel loader support



40-series-/50-series wheel loader support

## Square light materials bucket

- Specially designed for application with lightweight material
- Top edge of bucket runs parallel to the bucket bottom, which facilitates work
- Increased handling capacity through elongated bottom and increased side walls
- Low-wear scraping edge made of Hardox 400



1140	1240LP	1350CC	2070LP	3080LP	4080LP	T4108	T4512	T5522	T6027
basic line	1260	1380	2070LPT	3080LPT	4080LPT				
1140	1280	1880	2080	3080	4080				
1160			2080T	3080T	4080T				
1160 eHoftrac®					5080				
					5080T				

Width mm	Capacity m³	Weight kg									
800	0.28	110	●	-	-	-	-	-	-	-	-
870	0.32	115	●	●	-	-	-	-	-	-	-
920	0.48	140	●	●	-	-	-	-	-	-	-
980	0.51	145	●	●	-	-	-	-	-	-	-
1,050	0.54	150	●	●	●	-	-	-	-	-	-
1,200	0.61	160	●	●	●	-	-	-	-	-	-
1,300	0.67	165	-	●*	●	-	-	-	-	-	-
1,400	0.72	170	-	●*	●	-	-	-	-	-	-
1,450	0.55	150	-	●*	●	-	●	-	-	-	-
1,500	0.77	195	-	●*	●	●	-	●	-	-	-
1,600	0.82	225	-	-	●	●	-	●	-	-	-
1,650	0.62	172	-	-	●	-	-	-	-	-	-
1,700	0.87	235	-	-	●	●	-	●	-	-	-
1,800	0.92	245	-	-	●	●	-	●	-	-	-
1,900	0.97	265	-	-	●	●	-	●	-	-	-
2,000	1.03	275	-	-	●	●	-	●	-	-	-

● Recommended – Not recommended/not possible

\*Not available for 1240LP.

## Round light materials bucket

- Specially designed for application with lightweight material, reinforced design
- Welding angle shows parallelism to the bucket bottom
- Increased handling capacity through elongated bottom and increased side walls
- Low-wear scraping edge made of Hardox 400



1140	1240LP	1350CC	2070LP	3080LP	4080LP	T4108	T4512	T5522	T6027
basic line	1260	1380	2070LPT	3080LPT	4080LPT				
1140	1280	1880	2080	3080	4080				
1160			2080T	3080T	4080T				
1160 eHoftrac®					5080				
					5080T				

Width mm	Capacity m³	Weight kg									
1,500	0.70–0.86	255–290	-	-	-	●	●	-	-	-	-
1,600	0.75–0.92	265–300	-	-	-	●	●	-	-	-	-
1,700	0.80–0.98	275–310	-	-	-	●	●	-	-	-	-
1,800	0.85–1.37	285–435	-	-	-	●	●	●	-	-	-
1,900	0.90–1.45	295–460	-	-	-	●	●	●	-	-	●
2,000	0.95–1.53	310–465	-	-	-	●	●	●	-	-	●
2,100	1.00–1.61	320–480	-	-	-	-	●	●	-	-	●
2,200	1.05–1.70	330–500	-	-	-	-	●	●	-	-	●
2,300	1.32	388	-	-	-	-	-	-	-	●	-
2,400	1.10–1.86	350–530	-	-	-	-	●	●	-	-	-
2,500	1.50–1.94	360–540	-	-	-	-	●	●	-	-	●

● Recommended – Not recommended/not possible



# Digging bucket

- Specifically for application in the ground
- Optimal volume capacity for working with heavy goods due to the sturdy design
- Low-wear scraping edge made of Hardox 400
- Figures show option with ripper teeth



1140	1240LP	1350CC	2070LP	3080LP	4080LP	T4108	T4512	T5522	T6027
basic line	1260	1380	2070LPT	3080LPT	4080LPT				
1140	1280	1880	2080	3080	4080				
1160			2080T	3080T	4080T				
1160 eHoftrac®					5080				
					5080T				

Width mm	Capacity m³	Weight kg	1140	1240LP	1350CC	2070LP	3080LP	4080LP	T4108	T4512	T5522	T6027
920	0.25	155	●	●	-	-	-	-	-	-	-	-
980	0.27	160	●	●	-	-	-	-	-	-	-	-
1,050	0.29	165	●	●	●	-	-	-	-	-	-	-
1,080	0.30	170	●	●	●	-	-	-	-	-	-	-
1,150	0.20-0.32	135-175	● <sup>2</sup>	●	●	-	-	-	-	-	-	-
1,250	0.27-0.42	150-190	● <sup>2</sup>	● <sup>1</sup>	●	-	-	-	-	-	-	-
1,350	0.38-0.46	190-200	● <sup>2</sup>	● <sup>1</sup>	●	-	-	-	-	-	-	-
1,450	0.31	163-170	-	-	-	-	-	-	●	-	-	-
1,500	0.43-0.68	205-290	-	-	●	●	-	-	-	●	-	-
1,600	0.55	255	-	-	-	-	●*	-	-	●	-	-
1,650	0.60	265	-	-	-	●	●*	-	-	-	-	-
1,700	0.58-0.78	270-310	-	-	-	-	●	-	-	-	-	-
1,800	0.62-0.98	280-405	-	-	-	-	●	●	-	-	-	-
1,900	0.66-1.05	290-415	-	-	-	-	●	●	-	-	●	-
2,000	0.93-1.11	345-430	-	-	-	-	-	●	-	-	-	-
2,100	0.87	305	-	-	-	-	-	-	-	-	-	●

● Recommended - Not recommended/not possible

\*Not available for every model due to the different supports.

<sup>1</sup>Not available for 1240LP.

<sup>2</sup>Not available for 1140.

**Option:**  
Ripper teeth

# Multi-purpose bucket

- Versatile in application (e.g. bucket work, levelling work, loading work)
- Goods, such as large stones or brush, can be easily picked up and dumped by using the gripper function
- Can be opened for emptying, which increases the dumping height
- Low-wear scraping edge made of Hardox 400
- Figures show option with ripper teeth



1140	1240LP	1350CC	2070LP	3080LP	4080LP	T4108	T4512	T5522	T6027
basic line	1260	1380	2070LPT	3080LPT	4080LPT				
1140	1280	1880	2080	3080	4080				
1160			2080T	3080T	4080T				
1160 eHoftrac®					5080				
					5080T				

Width mm	Capacity m³	Weight kg	1140	1240LP	1350CC	2070LP	3080LP	4080LP	T4108	T4512	T5522	T6027
1,150	0.23	280	● <sup>2</sup>	●	●	-	-	-	-	-	-	-
1,250	0.26	290	-	●	●	-	-	-	-	-	-	-
1,400	0.44	410	-	-	●	●	-	-	-	-	-	-
1,550	0.36	290-320	-	●	●	●	-	-	●	●	-	-
1,650	0.50	470	-	-	-	●	●*	-	-	-	-	-
1,900	0.70	550	-	-	-	-	● <sup>1</sup>	-	-	-	-	-
2,000	0.90	610	-	-	-	-	-	●	-	-	●	-

● Recommended - Not recommended/not possible

\*\*Not available for wheel loaders with a load arm.

<sup>1</sup>Not available for telescopic wheel loaders.

<sup>2</sup>Not available for 1140.

**Requirements:**  
3<sup>rd</sup> control circuit

**Option:**  
Ripper teeth



## Stone bucket

- Ideal for picking up larger stones
- With screen function: loose and fine material falls directly back to the ground
- Ideal view of the freight
- Round bar diameter of 22–25 mm and round bar clearance of 48–49 mm



1140	1240LP	1350CC	2070LP	3080LP	4080LP	T4108	T4512	T5522	T6027
basic line	1260	1380	2070LPT	3080LPT	4080LPT				
1140	1280	1880	2080	3080	4080				
1160			2080T	3080T	4080T				
1160 eHoftrac®					5080				
					5080T				

Width mm	Capacity m³	Weight kg
1,090	0.22	112
1,240	0.33	225
1,390	0.37	243
1,680	0.45	278
2,050	0.55	322
2,350	0.60	358

●	●	●	-	-	-	-	-	-	-
-	-	●	-	-	-	-	-	-	-
-	-	●	●	-	-	●	●	-	-
-	-	-	●	●*	-	-	●	●	-
-	-	-	-	●*	-	-	-	-	-
-	-	-	-	-	●*	-	-	-	-

● Recommended – Not recommended/not possible

\* Not available for every model due to the different supports.

## High tip bucket

- Designed to reach an increased load-over height
- Ideal for trailers with very high sides
- Powerful due to the 2 tilt cylinders



1140	1240LP	1350CC	2070LP	3080LP	4080LP	T4108	T4512	T5522	T6027
basic line	1260	1380	2070LPT	3080LPT	4080LPT				
1140	1280	1880	2080	3080	4080				
1160			2080T	3080T	4080T				
1160 eHoftrac®					5080				
					5080T				

Width mm	Capacity m³	Weight kg
1,000	0.48	340
1,200	0.6	360
1,400	0.71	380
1,600	0.82	400
1,800	1.22	635
2,000	1.36	675

●	●	●	-	-	-	-	-	-	-
-	-	●	-	-	-	-	-	-	-
-	-	●	●*	-	-	-	-	-	-
-	-	●	●*	-	-	-	-	-	-
-	-	-	-	●*	●*	-	-	-	-
-	-	-	-	●*	●*	-	-	-	-

● Recommended – Not recommended/not possible

\* Not available for telescopic wheel loaders.

**Requirements:**  
3<sup>rd</sup> control circuit

**Options:**  
Elevated side parts of wear resistant substructure





## Small shear grab

- Suitable for mucking out stalls
- Possible to arrange the feed table and fill the feed mixer
- Also suitable for handling loose materials, such as wood chips, bark mulch, green waste, etc.
- High grip force due to the 2 cylinders
- Side parts of the bucket are removable



1140	1240LP	1350CC	2070LP	3080LP	4080LP	T4108	T4512	T5522	T6027
basic line	1260	1380	2070LPT	3080LPT	4080LPT				
1140	1280	1880	2080	3080	4080				
1160			2080T	3080T	4080T				
1160 eHoftrac®					5080				
					5080T				

Width mm	Capacity m³	Weight kg	1140	1240LP	1350CC	2070LP	3080LP	4080LP	T4108	T4512	T5522	T6027
920	0.25	142	●	●	-	-	-	-	-	-	-	-
1,050	0.29	152	●	●	-	-	-	-	-	-	-	-
1,150	0.31	165	●	●	● <sup>2</sup>	-	-	-	-	-	-	-
1,300	0.40	279	● <sup>1</sup>	● <sup>3</sup>	● <sup>2</sup>	-	-	-	●	-	-	-
1,400	0.43	288	-	● <sup>3</sup>	● <sup>2</sup>	-	-	-	●	●	-	-
1,600	0.49	319	-	-	-	-	-	-	●	-	-	-

● Recommended – Not recommended/not possible

<sup>1</sup>Not available for 1140.  
<sup>2</sup>Not available for 1880.  
<sup>3</sup>Not available for 1240LP.

## Large shear grab

- Suitable for mucking out stalls
- Arranging the feed table, filling the feed mixer or a biogas system possible
- Also suitable for handling loose materials, such as wood chips, bark mulch, green waste, etc.
- High grip force due to the 2 cylinders



1140	1240LP	1350CC	2070LP	3080LP	4080LP	T4108	T4512	T5522	T6027
basic line	1260	1380	2070LPT	3080LPT	4080LPT				
1140	1280	1880	2080	3080	4080				
1160			2080T	3080T	4080T				
1160 eHoftrac®					5080				
					5080T				

Width mm	Capacity m³	Weight kg	1140	1240LP	1350CC	2070LP	3080LP	4080LP	T4108	T4512	T5522	T6027
1,350	0.68	450	-	● <sup>1</sup>	●	-	-	-	●	-	-	-
1,500	0.79	490	-	-	●	●	● <sup>2</sup>	-	-	●	-	-
1,650	0.84	635	-	-	-	●	●	●	-	-	-	-
1,800	0.93	650	-	-	-	-	●	●	-	-	●	-
2,000	1.04	700	-	-	-	-	● <sup>2</sup>	●	-	-	●	●
2,200	1.14	745	-	-	-	-	-	●	-	-	●	●
2,400	1.25	820	-	-	-	-	-	●	-	-	-	●

● Recommended – Not recommended/not possible

<sup>1</sup>Not available for every model due to the different supports.  
<sup>2</sup>Not available for 1240LP.

**Requirements:** 3<sup>rd</sup> control circuit  
**Options:** Screw-on side parts



# Dozing bucket

- Ideal for filling and spreading material
- The substrate can be easily screeded or levelled with the reinforced edge of the bucket bottom
- Ground-levelling work can be performed in a single operation
- Optional rear-wall heightening allows for additional applications (e.g. snow removal)



1140	1240LP	1350CC	2070LP	3080LP	4080LP	T4108	T4512	T5522	T6027
basic line	1260	1380	2070LPT	3080LPT	4080LPT				
1140	1280	1880	2080	3080	4080				
1160			2080T	3080T	4080T				
1160 eHoftrac®					5080				
					5080T				

Width mm	Capacity m³	Weight kg	1140	1240LP	1350CC	2070LP	3080LP	4080LP	T4108	T4512	T5522	T6027
1,100	0.3	153-178	●	●	●	-	-	-	-	-	-	-
1,400	0.38	227-239	-	●	●	-	-	-	-	-	-	-
1,400	0.52	260-271	-	-	●	●	-	-	-	-	-	-
1,700	0.64	340-352	-	-	● <sup>1</sup>	●	-	-	●	-	-	-
2,000	0.77	373-406	-	-	-	-	●	●	-	-	-	-

● Recommended – Not recommended/not possible

<sup>1</sup> Not for 1350CC

Options:  
Stacking frame

# Ground planer

- Ideally suited for levelling various surfaces (riding arena floors, gravel surfaces for paving work, etc.)
- Sand, gravel and fine soil can be smoothed easily and quickly



1140	1240LP	1350CC	2070LP	3080LP	4080LP	T4108	T4512	T5522	T6027
basic line	1260	1380	2070LPT	3080LPT	4080LPT				
1140	1280	1880	2080	3080	4080				
1160			2080T	3080T	4080T				
1160 eHoftrac®					5080				
					5080T				

Width mm	Weight kg	1140	1240LP	1350CC	2070LP	3080LP	4080LP	T4108	T4512	T5522	T6027
1,200	125	●	●	● <sup>2</sup>	-	-	-	-	-	-	-
1,600	175-205	●	●	●	●	-	-	●	●	-	-
2,000	223-224	● <sup>1</sup>	●	●	●	● <sup>3</sup>	●	●	●	●	●

● Recommended – Not recommended/not possible

<sup>1</sup> Not available for 1140.

<sup>2</sup> Not available for 1880.

<sup>3</sup> Not available for wheel loaders with a load arm.



## Waste container

- Suitable for the transport of waste, leaves and brush
- Pick-up possible by pallet fork possible
- Easy lateral emptying possible through box rotator



1140	1240LP	1350CC	2070LP	3080LP	4080LP	T4108	T4512	T5522	T6027
basic line	1260	1380	2070LPT	3080LPT	4080LPT				
1140	1280	1880	2080	3080	4080				
1160			2080T	3080T	4080T				
1160 eHoftrac®					5080				
					5080T				

Width mm	Capacity m <sup>3</sup>	Weight kg
1,000	1.0	110

●	●	●	●	●	●	●	●	●	●
---	---	---	---	---	---	---	---	---	---

● Recommended – Not recommended/not possible

## Work platform

- Safe work at heights is ensured through self-closing and self-locking door
- Load-bearing capacity up to 250 kg (e.g. 2 persons + attachment)
- With circular level for slope monitoring



1140	1240LP	1350CC	2070LP	3080LP	4080LP	T4108	T4512	T5522	T6027
basic line	1260	1380	2070LPT	3080LPT	4080LPT				
1140	1280	1880	2080	3080	4080				
1160			2080T	3080T	4080T				
1160 eHoftrac®					5080				
					5080T				

Width mm	Weight kg
1,300	252

-	-	-	● <sup>1</sup>	● <sup>2</sup>	● <sup>3</sup>	-	-	-	-
---	---	---	----------------	----------------	----------------	---	---	---	---

● Recommended – Not recommended/not possible

<sup>1</sup> Not available for 2070LP and 2070LPT

<sup>2</sup> Not available for 3080LP and 3080LPT

<sup>3</sup> Not available for 4080LP and 4080LPT

**Requirements:**  
Lowering brake valve,  
throttle control on machine

To be able to attach a work platform to a machine, the machine must be outfitted ex works with the options required for operating the work platform.



# Pallet fork

- Transport of various goods on pallets
- Best possible view of the freight
- Width 1,000 mm
- Prong widths are adjustable



1140	1240LP	1350CC	2070LP	3080LP	4080LP	T4108	T4512	T5522	T6027
basic line	1260	1380	2070LPT	3080LPT	4080LPT				
1140	1280	1880	2080	3080	4080				
1160			2080T	3080T	4080T				
1160 eHoftrac®					5080				
					5080T				

Length mm	Load-bearing capacity kg	Weight kg
1,000	2,000	155
1,200	2,500	186
1,400	2,500	199
1,000	2,000	190
1,200	2,500	222
1,400	2,500	235
1,200	2,500	216
1,400	2,500	229
1,200	3,200	275-308
1,200	2,500	190

●	●	●	-	-	-	●	●	-	-
-	-	●	●	●*	●*	●	●	●	-
-	-	-	●	●*	●*	-	-	●	-
-	-	-	-	●*	-	-	-	-	-
-	-	-	-	●*	-	-	-	-	-
-	-	-	-	-	●*	-	-	-	-
-	-	-	-	-	●*	-	-	-	-
-	-	-	-	-	-	-	-	-	●

● Recommended - Not recommended/not possible \* Not available for every model due to the different supports.

**Options:**  
Pallet fork protective beam, bale spear (fork arm length 980 mm)

# Fold-down pallet fork

- Fold-up prongs for road travel
- Transport of various goods on pallets
- Best possible view of the freight
- Width 1,000 mm
- Prong widths are adjustable



1140	1240LP	1350CC	2070LP	3080LP	4080LP	T4108	T4512	T5522	T6027
basic line	1260	1380	2070LPT	3080LPT	4080LPT				
1140	1280	1880	2080	3080	4080				
1160			2080T	3080T	4080T				
1160 eHoftrac®					5080				
					5080T				

Length mm	Load-bearing capacity kg	Weight kg
1,000	2,000	191
1,200	2,500	230-265

●	●	●	-	-	-	●	●	-	-
-	-	●*	●	●	●	-	●	●	●

● Recommended - Not recommended/not possible

\* Not available for 1350CC.



## Box rotator

- Side rotation up to max. 205°, therefore complete emptying of suitable boxes and containers
- Counter-clockwise as a standard
- Arm for fastening the box or the container
- Fork carriage width 1,200 mm



1140	1240LP	1350CC	2070LP	3080LP	4080LP	T4108	T4512	T5522	T6027
basic line	1260	1380	2070LPT	3080LPT	4080LPT				
1140	1280	1880	2080	3080	4080				
1160			2080T	3080T	4080T				
1160 eHoftrac®					5080				
					5080T				

Length mm	Load-bearing capacity kg	Weight kg
1,100	1,500–2,500	310–320

●	●	●	●	●*	●*	●	●	●	●
---	---	---	---	----	----	---	---	---	---

## Hydraulically adjustable pallet fork

- Transport of various goods on pallets
- Best possible view of the freight
- Prong widths are hydraulically adjustable



1140	1240LP	1350CC	2070LP	3080LP	4080LP	T4108	T4512	T5522	T6027
basic line	1260	1380	2070LPT	3080LPT	4080LPT				
1140	1280	1880	2080	3080	4080				
1160			2080T	3080T	4080T				
1160 eHoftrac®					5080				
					5080T				

Length mm	Load-bearing capacity kg	Weight kg
1,200	2,500	197
1,200	4,500	330

●	●	●	●	●	–	●	●	●	●
---	---	---	---	---	---	---	---	---	---

● Recommended – Not recommended/not possible

\* Attachment for wheel loader with load arm not available.

**Recommendation:**  
3<sup>rd</sup> control circuit  
**Requirements:**  
3<sup>rd</sup> control circuit  
**Options:**  
Clockwise

● Recommended – Not recommended/not possible

**Requirements:** 3<sup>rd</sup> control circuit  
**For options:**  
4<sup>th</sup> control circuit or reversing valve electrical connection in front

**Options:**  
Hydraulic lateral displacement  
Reversing valve for hydraulic lateral displacement



## Logging grab in a fork shape

- Suitable for picking up, stacking and transporting logs and small wood
- The gripping function prevents the log from falling out
- Design with 1 or 2 upper prongs (fork length 900 mm)
- Minimum clamping range 220 mm, maximum 1,200 mm
- 2,500 kg load capacity (load centre 500 mm)



	1140	1240LP	1350CC	2070LP	3080LP	4080LP	T4108	T4512	T5522	T6027
basic line	1260	1380	2070LPT	3080LPT	4080LPT					
1140	1280	1880	2080	3080	4080					
1160			2080T	3080T	4080T					
1160 eHoftrac®					5080					
					5080T					

Width mm	Weight kg
1,450	305–440

-	-	●	●	●	●	-	●	●	●
---	---	---	---	---	---	---	---	---	---

## Logging grab in sickle shape

- Suitable for picking up, stacking and transporting logs and small wood
- The gripper function prevents the log from falling out 2,500 kg load capacity and 1,200 mm max. opening width
- Design with 2 upper prongs



	1140	1240LP	1350CC	2070LP	3080LP	4080LP	T4108	T4512	T5522	T6027
basic line	1260	1380	2070LPT	3080LPT	4080LPT					
1140	1280	1880	2080	3080	4080					
1160			2080T	3080T	4080T					
1160 eHoftrac®					5080					
					5080T					

Width mm	Weight kg
1,450	385–415

-	-	●	●	●	●	-	●	●	●
---	---	---	---	---	---	---	---	---	---

● Recommended – Not recommended/not possible

**Requirements:**  
3<sup>rd</sup> control circuit

● Recommended – Not recommended/not possible

**Requirements:**  
3<sup>rd</sup> control circuit



# Stump grinder

- Effective milling of tree stumps
- Large milling wheel with a 470 mm diameter
- Quickly interchangeable chisel
- Lifting point can rotate 360°
- Images show HS design with hydraulic swivel



1140	1240LP	1350CC	2070LP	3080LP	4080LP	T4108	T4512	T5522	T6027
basic line	1260	1380	2070LPT	3080LPT	4080LPT				
1140	1280	1880	2080	3080	4080				
1160			2080T	3080T	4080T				
1160 eHoftrac®					5080				
					5080T				

Model	Minimal oil volume (l/min)	Weight kg
BSF20H/BSF20HS	30	70
BSF27H/BSF27HS	45	125
BSF50H/BSF50HS	100	200

● <sup>1</sup>	● <sup>2</sup>	●	-	-	-	-	-	-	-
● <sup>1</sup>	-	●	●	●	-	-	-	-	-
-	-	-	●	●	-	-	-	-	-

● Recommended – Not recommended/not possible

<sup>1</sup> Only available for 1160  
<sup>2</sup> Not available for 1240LP

**Requirements:**  
3<sup>rd</sup> control circuit  
Pressure-free reverse travel or High Flow  
Electrical connection in front (for HS version)

**Recommendation:**  
Latch for 3<sup>rd</sup> control circuit  
**Options:**  
HS version (hydraulic swivel of the road milling machine)

# Ripper

- For loosening hard, compacted soil and surfaces
- Sturdy design
- 3 ripper twisting hooks
- Work effectively in combination with the ground leveller



1140	1240LP	1350CC	2070LP	3080LP	4080LP	T4108	T4512	T5522	T6027
basic line	1260	1380	2070LPT	3080LPT	4080LPT				
1140	1280	1880	2080	3080	4080				
1160			2080T	3080T	4080T				
1160 eHoftrac®					5080				
					5080T				

Weight kg
140

-	●	●	●	-	-	-	-	-	-
---	---	---	---	---	---	---	---	---	---

● Recommended – Not recommended/not possible



# Rotary sweeper model 20

- Ideal for cleaning courtyards, streets, bicycle paths, parking lots, etc.
- Brush roller made of polypropylene, Ø 520 mm
- Mechanical swivelling unit
- Drive system via gerotor engine



1140 basic line	1240LP 1260	1350CC 1380	2070LP 2070LPT	3080LP 3080LPT	4080LP 4080LPT	T4108	T4512	T5522	T6027
1140	1280	1880	2080	3080	4080				
1160			2080T	3080T	4080T				
1160 eHoftrac®					5080 5080T				

Width mm	Weight Full equipment kg	Volume Collection tray l
1,250	approx. 265	135
1,550	approx. 295	165
1,850	approx. 320	195
2,300	approx. 350	245

●	●	●	-	-	-	-	-	-	-
-	●	●	●	●	-	●	●	-	-
-	-	●	●	●	●	-	●	●	-
-	-	-	-	●	●	-	-	●	●

● Recommended – Not recommended/not possible

**Requirements:**  
3<sup>rd</sup> control circuit

**Recommendation:**  
Latch for 3<sup>rd</sup> control circuit

**Options:**

- Waste collection container with cable pull or hydraulically activated emptying
- Rubber splash cloth
- Additional supporting ring in front
- Brush roller Ø 520 mm PPN / steel or spiral segment trimming
- Water spraying device (100 l / 240 l)
- Hydraulically activated side brush (with water spraying device)
- Hydraulically activated swivelling unit
- Lighting according to StVZO
- Flag holder, including warning flags and warning marking

The figure above shows the rotary sweeper with options.

# Rotary sweeper model 25

- Ideal for cleaning courtyards, streets, bicycle paths, parking lots, etc.
- Brush roller made of polypropylene, Ø 580 mm
- Mechanical swivelling unit
- Drive system via gerotor engine
- Convenient tool-free adjustment of collecting tray and impellers



1140 basic line	1240LP 1260	1350CC 1380	2070LP 2070LPT	3080LP 3080LPT	4080LP 4080LPT	T4108	T4512	T5522	T6027
1140	1280	1880	2080	3080	4080				
1160			2080T	3080T	4080T				
1160 eHoftrac®					5080 5080T				

Width mm	Weight Full equipment kg	Volume Collection tray l
1,550	approx. 311	220
1,850	approx. 336	250
2,050	approx. 351	280
2,300	approx. 366	310
2,750	approx. 391	370

-	● <sup>1</sup>	●	●	-	-	●	●	-	-
-	-	●	●	●	●	-	●	●	-
-	-	-	●	●	●	-	●	●	●
-	-	-	●	●	●	-	-	-	●
-	-	-	-	●	●	-	-	-	●

● Recommended – Not recommended/not possible

**Requirements:**  
3<sup>rd</sup> control circuit

**Recommendation:**  
Latch for 3<sup>rd</sup> control circuit

**Options:**

- Brush roller Ø 580 mm PPN / steel or spiral segment trimming
- Water spraying device (240 l)
- Hydraulically activated side brush (with water spraying device)
- Hydraulically activated swivelling unit
- Lighting according to StVZO
- Flag holder, including warning flags and warning marking

<sup>1</sup>Only available for 1280.

Figures show the rotary sweeper with options.





# Rotary sweeper model 520



- Ideally suited for municipal road and winter service due to the dual system (dirt-collecting and also free-sweeping)
- Brush roller made of polypropylene, Ø 520 mm
- Mechanical pivot device, drive system via Gerotor engine
- Individually adjustable brush roller contact pressure through variable adjustment
- The drive unit is integrated into the rotary sweeper housing
- The lateral chain drive ensures an optimal power transmission

1140	1240LP	1350CC	2070LP	3080LP	4080LP	T4108	T4512	T5522	T6027
basic line	1260	1380	2070LPT	3080LPT	4080LPT				
1140	1280	1880	2080	3080	4080				
1160			2080T	3080T	4080T				
1160 eHoftrac®					5080				
					5080T				

Width mm	Weight ffull outfitting kg	Volume Collection tray l
1,250	approx. 239	130
1,400	approx. 247	150
1,550	approx. 254	160
1,700	approx. 262	180
1,850	approx. 269	190

●	●	●	-	-	-	-	-	-	-
● <sup>1</sup>	●	●	-	-	-	●	-	-	-
-	● <sup>2</sup>	●	●	-	-	●	●	-	-
-	-	●	●	-	-	-	●	-	-
-	-	●	●	-	-	-	●	-	-

● Recommended – Not recommended/not possible

**Requirements:**

3<sup>rd</sup> control circuit

**Recommendation:**

Latch for 3<sup>rd</sup> control circuit

**Options:**

Brush roller Ø 520 mm PPN / steel or spiral segment trimming  
Water spraying device (100 l)

Hydraulically activated side brush (with water spraying device)

Hydraulically activated swivelling unit

Lighting according to StVZO

Flag holder, including warning flags and warning marking

<sup>1</sup>Not available for 1140.

<sup>2</sup>Not available for 1240LP.

Figures show the rotary sweeper with options.

# Rotary sweeper model 30



- Ideal for cleaning courtyards, streets, bicycle paths, parking lots, etc
- Brush roller made of polypropylene, Ø 600 mm
- Dual system (dirt-collecting and also free-sweeping)
- Roller levelling for optimal ground adaptation
- Individually adjustable brush roller contact pressure through variable adjustment of the brush roller by means of a hand wheel/crank

1140	1240LP	1350CC	2070LP	3080LP	4080LP	T4108	T4512	T5522	T6027
basic line	1260	1380	2070LPT	3080LPT	4080LPT				
1140	1280	1880	2080	3080	4080				
1160			2080T	3080T	4080T				
1160 eHoftrac®					5080				
					5080T				

Width mm	Weight ffull outfitting kg	Volume Collection tray l
1,850	approx. 521	340
2,050	approx. 576	380
2,300	approx. 641	430
2,600	approx. 706	430

-	-	-	●	●	●	-	-	●	-
-	-	-	●	●	●	-	-	●	●
-	-	-	-	●	●	-	-	●	●
-	-	-	-	●	●	-	-	-	●

● Recommended – Not recommended/not possible

**Requirements:**

3<sup>rd</sup> control circuit

**Recommendation:**

Latch for 3<sup>rd</sup> control circuit

**Options:**

Brush roller Ø 600 mm PPN / steel or spiral segment trimming  
Water spraying device (200 l)

Hydraulically activated side brush (with water spraying device)

Hydraulically activated swivelling unit

Lighting according to StVZO

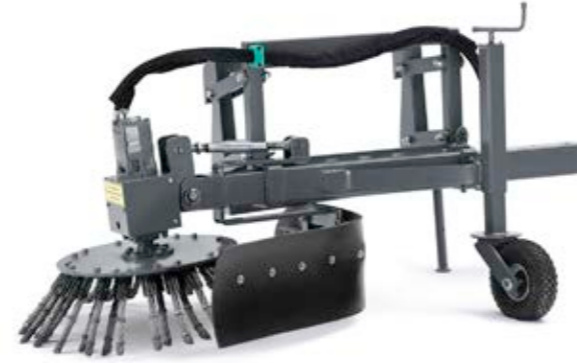
Flag holder, including warning flags and warning marking

Figures show the rotary sweeper with options.



## Weed brush

- Ideal for the environmentally friendly removal of weeds from pavement, joints and roadsides
- Pneumatic-tyred supporting wheel, pendulum compensation 100 mm
- Tilt adjustment 20°
- Broom diameter 700 mm
- Low-wear steel bristles



1140	1240LP	1350CC	2070LP	3080LP	4080LP	T4108	T4512	T5522	T6027
basic line	1260	1380	2070LPT	3080LPT	4080LPT				
1140	1280	1880	2080	3080	4080				
1160			2080T	3080T	4080T				
1160 eHoftrac®					5080				
					5080T				

Width mm	Weight kg
1,300–1,800	240

●	●	●	●	●	●*	–	–	–	–
---	---	---	---	---	----	---	---	---	---

● Recommended – Not recommended/not possible

\*Only available for 4080LPT and 4080T.

**Requirements:**  
3<sup>rd</sup> control circuit

**Recommendation:**  
Latch for 3<sup>rd</sup> control circuit

## Sweeper

- Simple and economical by picking up with pallet fork
- Very good cleaning result
- Bristles made of wear-resistant material, low wear
- Optionally also with direct support on the machine



1140	1240LP	1350CC	2070LP	3080LP	4080LP	T4108	T4512	T5522	T6027
basic line	1260	1380	2070LPT	3080LPT	4080LPT				
1140	1280	1880	2080	3080	4080				
1160			2080T	3080T	4080T				
1160 eHoftrac®					5080				
					5080T				

Width mm	Weight kg
1,500	175
2,000	227
2,500	275

●	●	●	●	–	–	●	●	–	–
●	●	●	●	●	●	●	●	●	●
–	–	–	●	●	●	–	●	●	●

● Recommended – Not recommended/not possible

**Options:**  
Lifting possibility due to bucket support adapter



# Mulcher

- Suitable for mowing on uneven terrain, high grass and green spaces
- Good ground contour adaptation with uniform cutting horizon
- Hard alloy metal undercarriage skids, screwable
- Height-adjustable front rubber wheels.



1140	1240LP	1350CC	2070LP	3080LP	4080LP	T4108	T4512	T5522	T6027
basic line	1260	1380	2070LPT	3080LPT	4080LPT				
1140	1280	1880	2080	3080	4080				
1160			2080T	3080T	4080T				
1160 eHoftrac®					5080				
					5080T				

Width mm	Weight kg
1,200	280
1,400	320
1,600	350

● <sup>1</sup>	●	●	-	-	-	-	-	-	-
-	● <sup>2</sup>	●	●	-	-	-	-	-	-
-	-	●	●	●	-	-	●	●	-

● Recommended - Not recommended/not possible

**Requirements:**  
3<sup>rd</sup> control circuit,  
unpressurised reverse travel

**Recommendation:**  
Notch for 3<sup>rd</sup> control circuit,  
hand inching, hand throttle

**Options:**  
Hydraulic manifold block for oil amounts  
above 48 l/m, wear system

<sup>1</sup>Not available for 1140.  
<sup>2</sup>Not available for 1240LP.

# Flail mower with collection tray

- Mowing green areas such as parks and high grass
- Hydraulic control of the collecting tray
- Height adjustment above wheels with tyres
- Cut height 30-80 mm



1140	1240LP	1350CC	2070LP	3080LP	4080LP	T4108	T4512	T5522	T6027
basic line	1260	1380	2070LPT	3080LPT	4080LPT				
1140	1280	1880	2080	3080	4080				
1160			2080T	3080T	4080T				
1160 eHoftrac®					5080				
					5080T				

Width mm	Weight kg	Volume Collection tray kg
1,200	390	700
1,600	420	900

●*	●*	●	-	-	-	-	-	-	-
-	-	●	●	-	-	-	●	-	-

● Recommended - Not recommended/not possible

**Requirements:**  
3<sup>rd</sup> control circuit  
4<sup>th</sup> control circuit, reversing valve,  
unpressurised reverse travel

**Recommendation:**  
Latch for 3<sup>rd</sup> control circuit

**Options:**  
Verticillation blade  
Heavy cup blade  
Protective side plates

\*Only available for 1160, 1260 and 1280.



## Rear trimmers

- Cutting frequency between 200 and 400 cuts per minute
- Branches up to 25 mm thickness can be cut
- Lightweight and compact design
- Hydraulic angle adjustment 90°



	1140	1240LP	1350CC	2070LP	3080LP	4080LP	T4108	T4512	T5522	T6027
basic line	1260	1380	2070LPT	3080LPT	4080LPT					
1140	1280	1880	2080	3080	4080					
1160			2080T	3080T	4080T					
1160 eHoftrac®					5080					
					5080T					

Weight kg

120	● <sup>1</sup>	●	●	●	-	-	●	●	-	-
-----	----------------	---	---	---	---	---	---	---	---	---

## Pruning saw

- 4 saw blades with 4,000 rpm in a series
- Hydraulic angle adjustment 90°
- Branches from 40 to 100 mm thickness can be cut
- Lightweight and compact design



	1140	1240LP	1350CC	2070LP	3080LP	4080LP	T4108	T4512	T5522	T6027
basic line	1260	1380	2070LPT	3080LPT	4080LPT					
1140	1280	1880	2080	3080	4080					
1160			2080T	3080T	4080T					
1160 eHoftrac®					5080					
					5080T					

Weight kg

120	● <sup>1</sup>	●	●	●	-	-	●	●	-	-
-----	----------------	---	---	---	---	---	---	---	---	---

● Recommended – Not recommended/not possible

**Requirements:**  
3<sup>rd</sup> control circuit

**Options:**  
Hydraulic discharge with 4<sup>th</sup> control circuit

<sup>1</sup>Not available for 1140.

**Recommendation:**  
Latch for 3<sup>rd</sup> control circuit

● Recommended – Not recommended/not possible

**Requirements:**  
3<sup>rd</sup> control circuit

**Options:**  
Hydraulic discharge with 4<sup>th</sup> control circuit

<sup>1</sup>Not available for 1140.

**Recommendation:**  
Latch for 3<sup>rd</sup> control circuit



## Double-blade rotary mower

- Suitable for mowing high grass and brush
- Not susceptible to occasional small stones
- Cutting possible in 3 different positions



1140 basic line	1240LP	1350CC	2070LP	3080LP	4080LP	T4108	T4512	T5522	T6027
1140	1260	1380	2070LPT	3080LPT	4080LPT				
1140	1280	1880	2080	3080	4080				
1160			2080T	3080T	4080T				
1160 eHoftrac®					5080				
					5080T				

Width mm	Weight kg
1,500	200

●	●	●	●	-	-	●	●	-	-
---	---	---	---	---	---	---	---	---	---

● Recommended - Not recommended/not possible

**Requirements:**  
3<sup>rd</sup> control circuit, unpressurised reverse travel

**Recommendation:**  
Notch for 3<sup>rd</sup> control circuit

## Fence mower

- Suitable for free mowing of fence posts
- Good cut around the posts
- No tedious free mowing necessary with the brush cutter
- Hydraulically adjustable from the transport position to the working position



1140 basic line	1240LP	1350CC	2070LP	3080LP	4080LP	T4108	T4512	T5522	T6027
1140	1260	1380	2070LPT	3080LPT	4080LPT				
1140	1280	1880	2080	3080	4080				
1160			2080T	3080T	4080T				
1160 eHoftrac®					5080				
					5080T				

Weight kg
220

●*	●	●	●	●	● <sup>1</sup>	●	●	●	●
----	---	---	---	---	----------------	---	---	---	---

● Recommended - Not recommended/not possible

\*Not available for 1140.

<sup>1</sup>Not available for wheel loaders with load arm.

**Requirements:**  
3<sup>rd</sup> control circuit, unpressurised reverse travel, notch for 3<sup>rd</sup> control circuit

**Options:**  
Swath curtain  
Artificial slides on mowing plate (solar park)  
Left mounted (recommended for telehandlers)  
Electrical control



## Earth auger

- Diverse application areas: drill holes for setting posts for fences, planting trees and setting signs
- The figure to the right shows the auger in the transport position



Model	1140 basic line	1240LP	1350CC	2070LP	3080LP	4080LP	T4108	T4512	T5522	T6027
1140	1260	1380	2070LPT	3080LPT	4080LPT					
1160	1280	1880	2080	3080	4080					
1160 eHoftrac®			2080T	3080T	4080T					
					5080					
					5080T					

Length mm	Width mm	Weight kg
1,240	Ø 152–305	173–197
1,520	Ø 152–305	175–200

●	●	●	●	●	●*	●	●	●	●	●
-	-	●	●	●	●*	●	●	●	●	●

● Recommended – Not recommended/not possible

\* Not available for wheel loaders with load arms.

**Requirements:**  
3<sup>rd</sup> control circuit

## Pot gripper

- Easy picking up and secure transport of various pots
- Usable for pots from 500–1,100 mm in diameter
- Pots are not damaged when gripped
- Max. current-carrying capacity of 500 kg



Model	1140 basic line	1240LP	1350CC	2070LP	3080LP	4080LP	T4108	T4512	T5522	T6027
1140	1260	1380	2070LPT	3080LPT	4080LPT					
1160	1280	1880	2080	3080	4080					
1160 eHoftrac®			2080T	3080T	4080T					
					5080					
					5080T					

Width mm	Weight kg
500–1,000	139

●	●	●	●	●	● <sup>1</sup>	●	●	●	●	●
---	---	---	---	---	----------------	---	---	---	---	---

● Recommended – Not recommended/not possible

<sup>1</sup>Not available for wheel loaders with load arms.

**Requirements:**  
3<sup>rd</sup> control circuit



## Riding arena and track leveller

- With various rollers, ideal adjustment to the properties of the ground
- Height individually adjustable



1140 basic line	1240LP	1350CC	2070LP	3080LP	4080LP	T4108	T4512	T5522	T6027
1140	1260	1380	2070LPT	3080LPT	4080LPT				
1160	1280	1880	2080	3080	4080				
1160 eHoftrac®			2080T	3080T	4080T				
					5080				
					5080T				

Width mm	Weight kg	Roller standard
1,600	200	Tiller
1,800	225	Grid
2,200	280	Tiller

●	●	●	-	-	-	●	●	-	-
● <sup>1</sup>	●	●	-	-	-	-	●	-	-
● <sup>1</sup>	●	●	-	-	-	-	●	-	-

● Recommended - Not recommended/not possible

**Requirements:**  
3<sup>rd</sup> control circuit

**Recommendation:**  
Hydraulic connection in rear, single acting

**Options:**  
Farmflex roller  
Grid roller (only 1600 mm, 2200 mm)  
Manual pump  
2<sup>nd</sup> hoof beat  
hoe blade series

<sup>1</sup>Not available for 1140.

## Stable helper

- Tank made entirely of stainless steel, therefore sturdy and durable
- Large-volume ball bearing pneumatic tyres
- Easy manoeuvring in the stable
- Large capacity, therefore multi-day mucking out is possible in the stable helper



1140 basic line	1240LP	1350CC	2070LP	3080LP	4080LP	T4108	T4512	T5522	T6027
1140	1260	1380	2070LPT	3080LPT	4080LPT				
1160	1280	1880	2080	3080	4080				
1160 eHoftrac®			2080T	3080T	4080T				
					5080				
					5080T				

Width mm	Volume m³	Weight kg
1,420	1.4	117
2,320	2.4	185

-	-	●	●	-	-	●	●	-	-
-	-	-	●	● <sup>1</sup>	● <sup>1</sup>	-	-	●	●

● Recommended - Not recommended/not possible

**Options:**  
Cover for closing

<sup>1</sup>Only available for telescopic wheel loader.



## Fork & grab, small

- Suitable for mucking out horse stables and pens
- Also possible to transport round and square bales
- Croc upper part with 1 cylinder
- Number of prongs tailored to respective width (5-6)



1140 basic line	1240LP 1260	1350CC 1380	2070LP 2070LPT	3080LP 3080LPT	4080LP 4080LPT	T4108	T4512	T5522	T6027
1140	1280	1880	2080	3080	4080				
1160			2080T	3080T	4080T				
1160 eHoftrac®					5080				
					5080T				

Width mm	Weight kg	Length of the prongs mm
790	150	600
860	155	600
870	180	800
930	185	800

●	-	-	-	-	-	-	-	-	-
●	-	-	-	-	-	-	-	-	-
●	●	-	-	-	-	-	-	-	-
●	●	●*	-	-	-	-	-	-	-

● Recommended - Not recommended/not possible

\*Not available for 1380 with P-Z kinematics and 1880.

Requirements:  
3<sup>rd</sup> control circuit

## Fork & grab, large

- Suitable for mucking out horse stables and pens
- Also possible to transport round and square bales
- Croc upper part split and with 2 cylinders.
- Length of the prongs 800 mm
- Number of prongs tailored to respective width



1140 basic line	1240LP 1260	1350CC 1380	2070LP 2070LPT	3080LP 3080LPT	4080LP 4080LPT	T4108	T4512	T5522	T6027
1140	1280	1880	2080	3080	4080				
1160			2080T	3080T	4080T				
1160 eHoftrac®					5080				
					5080T				

Width mm	Weight kg	Number of tines
1,100	225	7
1,300	240	8
1,500	295-320	9
1,700	325-350	11
1,900	340-370	13

● <sup>1</sup>	●	●	-	-	-	-	-	-	-
-	-	●	-	-	-	●	-	-	-
-	-	-	●	●*	-	-	●	-	-
-	-	-	●	●	●	-	-	●	●
-	-	-	-	●	●	-	-	●	●

● Recommended - Not recommended/not possible

\*Not available for every model due to the different supports.  
<sup>1</sup>Not available for 1140.

Requirements:  
3<sup>rd</sup> control circuit





## Dung fork

- Suitable for mucking out horse stables and pens
- Also possible to transport round and square bales
- Fork arm length 800 mm
- Number of prongs tailored to respective width



	1140 basic line	1240LP 1260	1350CC 1380	2070LP 2070LPT	3080LP 3080LPT	4080LP 4080LPT	T4108	T4512	T5522	T6027
1140		1280	1880	2080	3080	4080				
1160				2080T	3080T	4080T				
1160 eHoftrac®						5080 5080T				

Width mm	Weight kg	Number of prongs	1140	1240LP	1350CC	2070LP	3080LP	4080LP	T4108	T4512	T5522	T6027
870	100	5	●	●	-	-	-	-	-	-	-	-
930	105	6	●	●	●	-	-	-	-	-	-	-
1,100	125	7	● <sup>1</sup>	●	●	-	-	-	-	-	-	-
1,200	125	8	-	●	●	-	-	●	-	-	-	-
1,500	175-195	9	-	-	●	●	●	-	●	●	-	-
1,700	195-220	11	-	-	-	●	●	●	-	-	●	●

● Recommended – Not recommended/not possible

<sup>1</sup>Not available for 1140.

## Round bale grapple

- Suitable for transporting and stacking wrapped bales and round bales
- Will not be damaged
- Can be used for bales from 900–1,800 mm



	1140 basic line	1240LP 1260	1350CC 1380	2070LP 2070LPT	3080LP 3080LPT	4080LP 4080LPT	T4108	T4512	T5522	T6027
1140		1280	1880	2080	3080	4080				
1160				2080T	3080T	4080T				
1160 eHoftrac®						5080 5080T				

Weight kg	1140	1240LP	1350CC	2070LP	3080LP	4080LP	T4108	T4512	T5522	T6027
155	● <sup>1</sup>	●	●	●	●	●	●	●	●	●

● Recommended – Not recommended/not possible

<sup>1</sup>Not available for 1140.

Requirements:  
3<sup>rd</sup> control circuit



## Round and square bale grapple

- Suitable for transporting and stacking wrapped bales and round bales or square bales
- Bales are not damaged



	1140	1240LP	1350CC	2070LP	3080LP	4080LP	T4108	T4512	T5522	T6027
basic line	1260	1380	2070LPT	3080LPT	4080LPT					
1140	1280	1880	2080	3080	4080					
1160			2080T	3080T	4080T					
1160 eHoftrac®					5080					
					5080T					

Weight kg

370	-	-	●	●	●	●	-	●	●	●
-----	---	---	---	---	---	---	---	---	---	---

● Recommended - Not recommended/not possible

Requirements:  
3<sup>rd</sup> control circuit

## Round and square bale grapple

- Suitable for transporting and stacking wrapped bales and round bales or square bales
- Opening width from 700–2,100/2,200 mm
- Galvanised outer pipes
- Also possible to grip other goods



	1140	1240LP	1350CC	2070LP	3080LP	4080LP	T4108	T4512	T5522	T6027
basic line	1260	1380	2070LPT	3080LPT	4080LPT					
1140	1280	1880	2080	3080	4080					
1160			2080T	3080T	4080T					
1160 eHoftrac®					5080					
					5080T					

Weight kg

210	●	●	●	-	-	-	●	●	-	-
280	-	-	-	●	●	●	-	-	●	●

● Recommended - Not recommended/not possible

Requirements:  
3<sup>rd</sup> control circuit



## Round bale transport device

- Suitable for transporting and stacking wrapped bales and round bales
- Bales are not damaged
- Depending on the bale diameter, the transport device can be adjusted hydraulically



1140	1240LP	1350CC	2070LP	3080LP	4080LP	T4108	T4512	T5522	T6027
basic line	1260	1380	2070LPT	3080LPT	4080LPT				
1140	1280	1880	2080	3080	4080				
1160			2080T	3080T	4080T				
1160 eHoftrac®					5080				
					5080T				

Width mm	Weight kg
1,100	120

●*	●	●	●	●	●	●	●	●	●
----	---	---	---	---	---	---	---	---	---

● Recommended – Not recommended/not possible

\*Not available for 1140.

## Round bale stacking device

- Suitable for transporting and stacking round bales
- The unit allows you to achieve an additional stacking height of 1,800 mm (compared to the standard stacking height of the machine).
- Secure handling and stacking at great heights due to the pivotable grippers with prongs



1140	1240LP	1350CC	2070LP	3080LP	4080LP	T4108	T4512	T5522	T6027
basic line	1260	1380	2070LPT	3080LPT	4080LPT				
1140	1280	1880	2080	3080	4080				
1160			2080T	3080T	4080T				
1160 eHoftrac®					5080				
					5080T				

Width mm	Weight kg
1,066–1,728	345–370

–	–	–	●	●	●	–	–	–	–
---	---	---	---	---	---	---	---	---	---

● Recommended – Not recommended/not possible

**Requirements:**  
3<sup>rd</sup> control circuit,  
electrical connection in front



## Round bale un-roller

- Can be used to unwrap silo and straw bales
- Two prongs (four prongs optional)
- Fork arm length 980 mm



1140	1240LP	1350CC	2070LP	3080LP	4080LP	T4108	T4512	T5522	T6027
basic line	1260	1380	2070LPT	3080LPT	4080LPT				
1140	1280	1880	2080	3080	4080				
1160			2080T	3080T	4080T				
1160 eHoftrac®					5080				
					5080T				

Width mm	Weight kg
900	127-147

●*	●	●	●	●	●	●	●	●	●
----	---	---	---	---	---	---	---	---	---

## Bale spear

- Suitable for transporting and stacking round and square bales
- Two prongs (three prongs optional)
- Fork arm length 980 mm



1140	1240LP	1350CC	2070LP	3080LP	4080LP	T4108	T4512	T5522	T6027
basic line	1260	1380	2070LPT	3080LPT	4080LPT				
1140	1280	1880	2080	3080	4080				
1160			2080T	3080T	4080T				
1160 eHoftrac®					5080				
					5080T				

Width mm	Weight kg
1,130	65

●	●	●	●	●	●	●	●	●	●
---	---	---	---	---	---	---	---	---	---

● Recommended – Not recommended/not possible

\*Not available for 1140.

**Requirements:**  
3<sup>rd</sup> control circuit

● Recommended – Not recommended/not possible



## Big bale fork

- Suitable for simultaneous transporting and stacking of several square bales
- Special safety bar prevents bales from falling down on the machine side
- 3 prongs that can be folded over if necessary
- Height of the special safety bar is adjustable from 2,200–2,700 mm.



1140 basic line	1240LP 1260	1350CC 1380	2070LP 2070LPT	3080LP 3080LPT	4080LP 4080LPT	T4108	T4512	T5522	T6027
1140	1280	1880	2080	3080	4080	-	•	•	•
1160			2080T	3080T	4080T				
1160 eHoftrac®					5080 5080T				

Width mm	Weight kg
1,088	167-175

-	-	•	•	•	•	-	•	•	•
---	---	---	---	---	---	---	---	---	---

## Large bale fork, fold-down

- Suitable for simultaneous transporting and stacking of several square bales
- 4 prongs that can be folded up if necessary (e.g. road travel)
- Protective bars prevent bales from falling down onto the machine. If necessary, they can be folded down.



1140 basic line	1240LP 1260	1350CC 1380	2070LP 2070LPT	3080LP 3080LPT	4080LP 4080LPT	T4108	T4512	T5522	T6027
1140	1280	1880	2080	3080	4080	-	•	•	•
1160			2080T	3080T	4080T				
1160 eHoftrac®					5080 5080T				

Width mm	Prongs	Weight kg
1,400	4	170

-	-	•	•	•	•	•	•	•	•
---	---	---	---	---	---	---	---	---	---

• Recommended – Not recommended/not possible

• Recommended – Not recommended/not possible



## Square bale stacking device

- Suitable for transporting and stacking square bales
- The unit allows you to achieve an additional stacking height of 1,800 mm (compared to the standard stacking height of the machine).
- Fork arm length 950 mm
- Precise stacking at height with a good view of the attachment



1140	1240LP	1350CC	2070LP	3080LP	4080LP	T4108	T4512	T5522	T6027
basic line	1260	1380	2070LPT	3080LPT	4080LPT				
1140	1280	1880	2080	3080	4080				
1160			2080T	3080T	4080T				
1160 eHoftrac®					5080				
					5080T				

Width mm	Weight kg
1,015	270-290

-	-	-	●	●	●	-	-	-	-
---	---	---	---	---	---	---	---	---	---

## Chopper for round and square bales

- Suitable for transporting and spreading round and square bales
- Ejection optionally below or left
- Max. ejection width of 5 metres



1140	1240LP	1350CC	2070LP	3080LP	4080LP	T4108	T4512	T5522	T6027
basic line	1260	1380	2070LPT	3080LPT	4080LPT				
1140	1280	1880	2080	3080	4080				
1160			2080T	3080T	4080T				
1160 eHoftrac®					5080				
					5080T				

Width mm	Weight kg
1,500	940

-	-	-	-	●	●	-	-	-	-
---	---	---	---	---	---	---	---	---	---

● Recommended - Not recommended/not possible

**Requirements:**  
3<sup>rd</sup> control circuit

● Recommended - Not recommended/not possible

**Requirements:**  
3<sup>rd</sup> control circuit  
Electrical connection in front  
Unpressurised reverse travel

**Recommendation:**  
Latch for 3<sup>rd</sup> control circuit



## Silage cutting blade

- Suitable for corn and grass silage extraction
- Transport of bulk material possible, e.g. concentrated feed, grist
- Torsionally rigid upper tongs for extremely compact silage, sturdy bucket substructure with anti-wear strips
- Width from 940 mm (400 l) – 2,200 mm (1,495 l)
- The serrated cutting edge leaves behind a smooth cutting edge and clean silo wall



1140 basic line	1240LP 1260	1350CC 1380	2070LP 2070LPT	3080LP 3080LPT	4080LP 4080LPT	T4108	T4512	T5522	T6027
1140	1280	1880	2080	3080	4080				
1160			2080T	3080T	4080T				
1160 eHoftrac®					5080				
					5080T				

Width mm	Capacity m³	Weight kg
940	0.4	450
1,150	0.49	490
1,360	0.58	530
1,570	1065	750
1,780	1.21	820
1,990	1.35	890
2,200	1,495	1,125

● Recommended – Not recommended/not possible

<sup>1</sup>Not available for 1350CC.

<sup>2</sup>Only available for 1880.

<sup>3</sup>Not available for telescopic wheel loaders.

**Requirements:**  
3<sup>rd</sup> control circuit

## Bale cutting blade

- 3-in-1 application: Cutting bales, corn silage extraction, transport of bulk material, e.g. concentrated feed, grist
- Wall extraction possible with opened upper prongs
- Optionally with film clamp, no timely removal of net and film any more
- Width from 1,630 mm (800 l)–2,050 mm (1,000 l)
- The serrated cutting edge leaves behind a smooth cutting edge and clean silo wall



1140 basic line	1240LP 1260	1350CC 1380	2070LP 2070LPT	3080LP 3080LPT	4080LP 4080LPT	T4108	T4512	T5522	T6027
1140	1280	1880	2080	3080	4080				
1160			2080T	3080T	4080T				
1160 eHoftrac®					5080				
					5080T				

Width mm	Weight kg
1,630	650
1,840	690
2,050	740

● Recommended – Not recommended/not possible

**Requirements:**  
3<sup>rd</sup> control circuit

**Options:**  
Film clamp



# Silage grapple

- Clean removal and transport of silage
- The serrated cutting edge leaves behind a smooth cutting edge and clean silo wall
- Fork arm length 800 mm
- Depending on the width of the silage grapple, 2-4 cylinders and 8-18 prongs.



1140 basic line	1240LP 1260	1350CC 1380	2070LP 2070LPT	3080LP 3080LPT	4080LP 4080LPT	T4108	T4512	T5522	T6027
1140	1280	1880	2080	3080	4080				
1160			2080T	3080T	4080T				
1160 eHoftrac®					5080				
					5080T				

Width mm	Capacity m³	Weight kg
940	0.60	450
1,150	0.73	495
1,360	0.87	540
1,570	1.00	800
1,780	1.13	830
1,990	1.27	1080
2,200	1.40	1150

● Recommended – Not recommended/not possible

\* Not available for telescopic wheel loaders.

Requirements:  
3<sup>rd</sup> control circuit

# Silage rake

- Suitable for breaking apart silage from a great height, therefore allows easier transport away with light materials bucket
- Cutting edge ensures a clean silo cut
- The cutting angle can be changed by rotating the square pipes



1140 basic line	1240LP 1260	1350CC 1380	2070LP 2070LPT	3080LP 3080LPT	4080LP 4080LPT	T4108	T4512	T5522	T6027
1140	1280	1880	2080	3080	4080				
1160			2080T	3080T	4080T				
1160 eHoftrac®					5080				
					5080T				

Width mm	Weight kg
2,000	6,497-501

● Recommended – Not recommended/not possible





# Material slide

- Sliding bulk material (e.g. grains or salt)
- Interchangeable wear strip made of synthetic material
- Simple extension possible



1140 basic line	1240LP 1260	1350CC 1380	2070LP 2070LPT	3080LP 3080LPT	4080LP 4080LPT	T4108	T4512	T5522	T6027
1140	1280	1880	2080	3080	4080				
1160			2080T	3080T	4080T				
1160 eHoftrac®					5080 5080T				

Width mm	Weight kg
2,500	562
2,500	559

-	-	-	-	-	● <sup>1</sup>	-	-	-	-
-	-	-	-	-	● <sup>2</sup>	-	-	-	-

● Recommended - Not recommended/not possible

<sup>1</sup>For telescopic wheel loaders.

<sup>2</sup>For wheel loaders.

**Options:**  
Extension 1000 mm

# Feed clearer

- Simple pushing and good ventilation of the supplied feed
- Sieves large amounts of feed
- Keeps the feeding alley clean
- Optional: bin for supplementary feed



1140 basic line	1240LP 1260	1350CC 1380	2070LP 2070LPT	3080LP 3080LPT	4080LP 4080LPT	T4108	T4512	T5522	T6027
1140	1280	1880	2080	3080	4080				
1160			2080T	3080T	4080T				
1160 eHoftrac®					5080 5080T				

For machine width mm	Weight kg
850-1,300	390
850-1,300	390

●	●	●	-	-	-	-	-	-	-
-	●	●	●	●	●	●	●	●	●

● Recommended - Not recommended/not possible

**Requirements:**  
3<sup>rd</sup> control circuit

**Options:**  
Power dosing feeder  
Snail drum on both sides  
Drum right



## Feed distributor

- Suitable for spreading grass and corn silage on the feed table
- Self-filling possible through slanted, heightened uptake edge
- Good view of the tool due to the perforated plate in rear
- Ejection possible on both sides
- Feeding width from 1,000–1,400 mm



1140 basic line	1240LP 1260	1350CC 1380	2070LP 2070LPT	3080LP 3080LPT	4080LP 4080LPT	T4108	T4512	T5522	T6027
1140	1280	1880	2080	3080	4080				
1160			2080T	3080T	4080T				
1160 eHoftrac®					5080 5080T				

Width mm	Capacity m³	Weight kg
1,280	0.8–1.0	320
1,480	1.2	380
1,660	1.4	490

–	●	●	–	–	–	–	–	–	–
–	–	●	●	●*	–	–	–	–	–
–	–	–	●	●*	●*	–	–	–	–

● Recommended – Not recommended/not possible

\* Attachment for wheel loader with load arm not available.

**Requirements:**  
3<sup>rd</sup> control circuit,  
electrical connection in front

## Feed dosing bucket with worm gear

- Suitable for coarse meal, pellets and fodder beet
- One-sided ejection to the right
- Self-filling possible through slanted, heightened uptake edge



1140 basic line	1240LP 1260	1350CC 1380	2070LP 2070LPT	3080LP 3080LPT	4080LP 4080LPT	T4108	T4512	T5522	T6027
1140	1280	1880	2080	3080	4080				
1160			2080T	3080T	4080T				
1160 eHoftrac®					5080 5080T				

Width mm	Capacity m³	Weight kg
980	0.6	260
1,100	0.7	280
1,500	1.0	490
1,800	1.2	589

●	●	–	–	–	–	–	–	–	–
●*	●	●	–	–	–	–	–	–	–
–	–	–	●	●	–	–	–	–	–
–	–	–	–	●	●	–	–	–	–

● Recommended – Not recommended/not possible

\*Not available for 1140.

**Requirements:**  
3<sup>rd</sup> control circuit



## Mechanical feed slide plate

- Suitable for pushing uneaten feed on the feed table
- Mechanically adjustable (stage 1: 0°, stage 2: 15°, stage 3: 30°, stage 4: 45°)
- Low-wear hard plastic strip



	1140	1240LP	1350CC	2070LP	3080LP	4080LP	T4108	T4512	T5522	T6027
basic line	1260	1380	2070LPT	3080LPT	4080LPT					
1140	1280	1880	2080	3080	4080					
1160			2080T	3080T	4080T					
1160 eHoftrac®					5080					
					5080T					

Width mm	Weight kg
1,700	250–260
2,000	270–280
2,500	290–300

● <sup>1</sup>	●	●	●	●	–	●	●	–	–
–	–	●	●	●	●*	–	●	●	●
–	–	–	–	●	●*	–	–	●	●

● Recommended – Not recommended/not possible

<sup>1</sup> Not available for 1140.

\* Attachment not available for wheel loader with load arm.

## Hydraulically activated feed slide plate

- Suitable for pushing feed on the feed table
- Hydraulically adjustable plate



	1140	1240LP	1350CC	2070LP	3080LP	4080LP	T4108	T4512	T5522	T6027
basic line	1260	1380	2070LPT	3080LPT	4080LPT					
1140	1280	1880	2080	3080	4080					
1160			2080T	3080T	4080T					
1160 eHoftrac®					5080					
					5080T					

Width mm	Weight kg
1,800	225
2,200	225
3,200	340

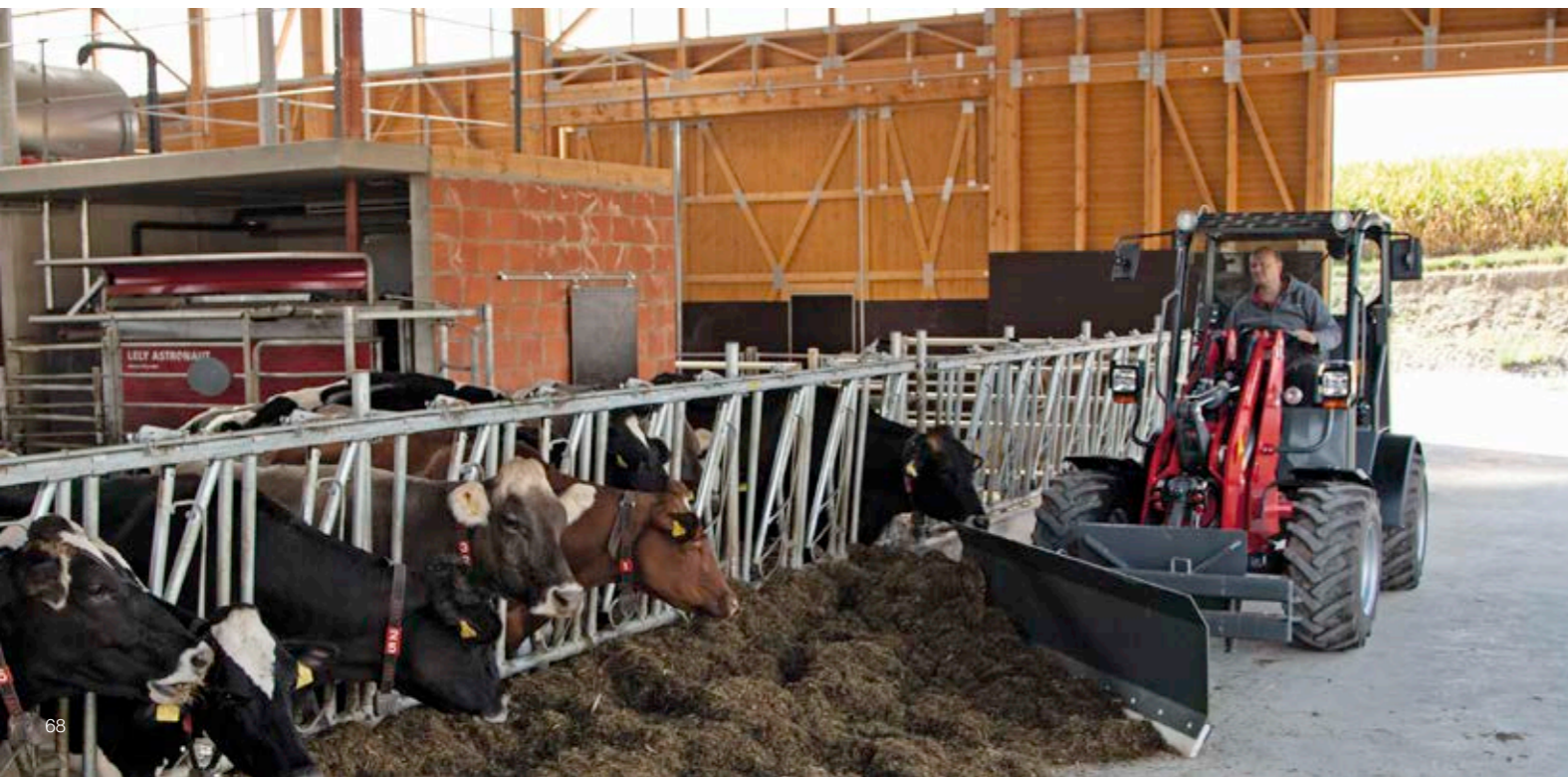
●	●	●	–	–	–	–	–	–	–
● <sup>1</sup>	●	●	●	●	–	●	●	–	–
–	–	–	–	●	●	–	–	●	●

● Recommended – Not recommended/not possible

\*Not available for 1140.

**Requirements:**  
3<sup>rd</sup> control circuit

**Options:**  
Outer edges are mechanically adjustable



## Rotary slide (feed wheel)

- Quick and effective sliding of feed on the feed table.



	1140	1240LP	1350CC	2070LP	3080LP	4080LP	T4108	T4512	T5522	T6027
basic line	1260	1380	2070LPT	3080LPT	4080LPT					
1140	1280	1880	2080	3080	4080					
1160			2080T	3080T	4080T					
1160 eHoftrac®					5080					
					5080T					

Width mm										
Ø 1,600	●	●	●	●	●	-	●	●	-	-

## Rubber slide

- Suitable for pushing on slotted floors
- Pushing on moist tar and concrete floors is also possible



	1140	1240LP	1350CC	2070LP	3080LP	4080LP	T4108	T4512	T5522	T6027
basic line	1260	1380	2070LPT	3080LPT	4080LPT					
1140	1280	1880	2080	3080	4080					
1160			2080T	3080T	4080T					
1160 eHoftrac®					5080					
					5080T					

Width mm	Weight kg									
1,200	76	●	●	●	-	-	-	-	-	-
1,500	88-94	●	●	●	●	-	-	●	-	-
1,750	97-103	●	●	●	●	●	-	●	●	-
2,000	106-124	-	●	●	●	●	●	●	●	●

● Recommended - Not recommended/not possible

**Requirements:**  
3<sup>rd</sup> control circuit

**Options:**  
Hydraulically adjustable

**Recommendation:**  
Latch for 3<sup>rd</sup> control circuit

● Recommended - Not recommended/not possible

**Requirements:**  
3<sup>rd</sup> control circuit  
(only for 2 m width)

**Options:**  
Hydraulically adjustable  
(only for 2 metres width)



# Spreading device

- Self-filling possible through slanted, heightened uptake edge
- Suitable for sawdust and chopped straw
- Ejection optionally right or left
- Ejection width up to 4 m



1140	1240LP	1350CC	2070LP	3080LP	4080LP	T4108	T4512	T5522	T6027
basic line	1260	1380	2070LPT	3080LPT	4080LPT				
1140	1280	1880	2080	3080	4080				
1160			2080T	3080T	4080T				
1160 eHoftrac®					5080				
					5080T				

Width mm	Capacity m³	Weight kg
1,350	0.85	250
1,550	1.02	265
1,750	1.20-1.54	280-440

●	●	●	-	-	-	●	-	-	-
● <sup>1</sup>	●	●	●	-	-	-	●	-	-
-	-	-	●	●*	●*	-	-	-	-

● Recommended - Not recommended/not possible

<sup>1</sup> Not available for 1140.  
\*Attachment for wheel loader with load arm not available.

- Options:**  
 Additional agitator  
 Fold-down deflector (regulation of ejection width)  
 Metering feeder for amount reduction  
 Lime scale pusher  
 Cutter spindle

**Requirements:**  
 3<sup>rd</sup> control circuit



# Stall planer

- Suitable for planing and loosening up bedding stalls
- Thanks to the powerful worm gear, even the hardest clumped bedding is milled, loosened up and spread, thereby eliminating tedious manual labour.



1140	1240LP	1350CC	2070LP	3080LP	4080LP	T4108	T4512	T5522	T6027
basic line	1260	1380	2070LPT	3080LPT	4080LPT				
1140	1280	1880	2080	3080	4080				
1160			2080T	3080T	4080T				
1160 eHoftrac®					5080				
					5080T				

Width mm	Weight kg
1,200	180-195

●	●	●	●	●	●	●	●	●	-
---	---	---	---	---	---	---	---	---	---

● Recommended - Not recommended/not possible

**Requirements:**  
 3<sup>rd</sup> control circuit



# Snowplough

- Impellers with vulcanised elastic rubber for long service life
- Height is infinitely adjustable by using hand wheel
- Pivoting angle is mechanically adjustable
- Spring flap segments with Vulkolan edging (thickness 20 mm, height 150 mm)
- Figures show hydraulic design.
- Height from 700–1,100 mm



1140 basic line	1240LP 1260	1350CC 1380	2070LP 2070LPT	3080LP 3080LPT	4080LP 4080LPT	T4108	T4512	T5522	T6027
1140	1280	1880	2080	3080	4080				
1160			2080T	3080T	4080T				
1160 eHoftrac®					5080 5080T				

Width mm	Clearing width at 30° mm	Weight kg
1,300	1,115	167
1,550	1,320	183
1,800	1,540	194
2,050	1,750	204
2,250	1,970	447
2,500	2,180	462

●	●	●	-	-	-	-	-	-	-
●*	●	●	●	-	-	-	-	-	-
-	-	●	●	●	-	●	-	-	-
-	-	-	●	●	●	-	●	-	-
-	-	-	-	●	●	-	-	●	●
-	-	-	-	●	●	-	-	●	●

● Recommended – Not recommended/not possible

\*Not available for 1140.

**Requirements:**  
3<sup>rd</sup> control circuit

**Options:**  
Hydraulically adjustable  
Warning flags, including holder  
Lighting according to StVZO  
Super-Elastic impeller  
Rubber-corundum cutting edge

# V snowplough

- Roller level compensation for optimal ground contour adaptation
- Impellers with vulcanised elastic rubber for long service life, infinitely adjustable by using hand wheel
- Two dual-acting hydraulic cylinders for swivelling the plate body
- This makes 4 different plate positions possible – hydraulically adjustable from the operator's seat



1140 basic line	1240LP 1260	1350CC 1380	2070LP 2070LPT	3080LP 3080LPT	4080LP 4080LPT	T4108	T4512	T5522	T6027
1140	1280	1880	2080	3080	4080				
1160			2080T	3080T	4080T				
1160 eHoftrac®					5080 5080T				

Width mm	Cleaning width at 30° or V- or Y-position mm	Weight kg
1,600	1,300	350
1,850	1,550	375
2,100	2,810	400

●*	●	●	-	-	-	-	-	-	-
-	-	●	●	-	-	-	●	-	-
-	-	-	●	●	● <sup>1</sup>	-	-	●	-

● Recommended – Not recommended/not possible

<sup>1</sup>Not available for wheel loaders with load arms.

\*Not available for 1140.

**Requirements:**  
3<sup>rd</sup> control circuit, electrical connection in front

**Options:**  
Warning flags, including holder  
Lighting according to StVZO  
Super-Elastic impeller  
Professional overload protection



# Snow blower

- Ideal for clearing large amounts of snow
- Hydraulically rotatable ejection tower
- Variable ejection width regulation possible
- Comfortable working via hand inching and ergonomic operation via the joystick



1140 basic line	1240LP 1260	1350CC 1380	2070LP 2070LPT	3080LP 3080LPT	4080LP 4080LPT	T4108	T4512	T5522	T6027
1140	1280	1880	2080	3080	4080				
1160			2080T	3080T	4080T				
1160 eHoftrac®					5080 5080T				

Model	Width mm	Weight kg
360	1,200	295
450	1,200	385
550	1,400/1,600	485
5,560	2,000	525
6,570	2,200	710

-	● <sup>1</sup>	-	-	-	-	-	-	-	-
-	-	● <sup>2</sup>	-	-	-	-	-	-	-
-	-	● <sup>3</sup>	● <sup>3</sup>	-	-	-	-	-	-
-	-	-	-	● <sup>4</sup>	-	-	-	-	-
-	-	-	-	-	● <sup>5</sup>	-	-	-	-

● Recommended – Not recommended/not possible

<sup>1</sup> Only possible with 1280.

<sup>2</sup> Only possible with 1380 and 1880.

<sup>3</sup> Only possible with 1880 and 2080.

<sup>4</sup> Only possible with 3080.

<sup>5</sup> Only possible with 4080 and 5080.

### Options:

- Supporting plate with roller level compensation
- Impellers
- Discharge stack extension (250, 500 mm)



### Prerequisite 1280:

- 3<sup>rd</sup> control circuit front DN12
- 4<sup>th</sup> control circuit
- Unpressurised reverse travel
- Hand inching
- Triple-pole plug receptacle

### Prerequisite 1380:

- 4<sup>th</sup> comfort control circuit
- 4<sup>th</sup> control circuit via tandem pump
- Unpressurised reverse travel
- Hand inching
- For various options: electrical connection in front

### Prerequisite 1880, 2080:

- High Flow
- Hand inching
- For various options: electrical connection in front

### Prerequisite 3080, 4080, 5080:

- High Flow
- Hand inching
- Manual throttle
- For various options: electrical connection in front



## Small salt/gravel spreader, 110I/170I

- Spreader for spreading de-icing salt, salt-gravel mixtures and grit.
- Includes cover to protect against salt that becomes wet quickly
- Special waterproof agitator technology for even material flow
- Electrically driven, battery cables for direct supply (12V) included
- All metal parts made of stainless steel
- Operation via control panel from the operator's seat



1140 basic line	1240LP 1260	1350CC 1380	2070LP 2070LPT	3080LP 3080LPT	4080LP 4080LPT	T4108	T4512	T5522	T6027
1140	1280	1880	2080	3080	4080				
1160			2080T	3080T	4080T				
1160 eHoftrac®					5080				
					5080T				

Contents	Spreading width m	1140	1240LP	1350CC	2070LP	3080LP	4080LP	T4108	T4512	T5522	T6027
110	0.8-6.0	● <sup>1</sup>	●	●	●	●	●*	●	●	●	-
170	0.8-6.0	-	●	●	●	●	●*	●	●	●	-

● Recommended – Not recommended/not possible

\* Not available for 4080, 4080T, 5080 and 5080T.

<sup>1</sup> Not available for 1140.

**Requirements:**  
Fold-over mounting bracket

**Options:**  
Illuminating device

## Large salt/gravel spreader, 300I

- Spreader for spreading de-icing salt, salt-gravel mixtures and grit.
- Mechanically adjustable spreading amount
- All metal parts made of stainless steel



1140 basic line	1240LP 1260	1350CC 1380	2070LP 2070LPT	3080LP 3080LPT	4080LP 4080LPT	T4108	T4512	T5522	T6027
1140	1280	1880	2080	3080	4080				
1160			2080T	3080T	4080T				
1160 eHoftrac®					5080				
					5080T				

Contents	Spreading width m	Weight kg	1140	1240LP	1350CC	2070LP	3080LP	4080LP	T4108	T4512	T5522	T6027
300	1.0-6.0	160	-	-	● <sup>1</sup>	●*	●*	●*	-	-	●	-

● Recommended – Not recommended/not possible

\* Not available for LP models.

<sup>1</sup> Only available for 1380 and 1880.

**Requirements:**  
Hydraulic connection in rear, double-acting  
Mounting bracket or three-point rear tool holder





# Weidemann machines in application.

Performance cannot be any more convincing.



# These options make you the expert.

Ergonomic working through professional tool insert.

This brochure is for general product information. If you are interested, one of our distributors would be happy to send you an offer. The descriptions, illustrations and technical data are not binding and do not necessarily represent the standard design. We reserve the right to make changes. Despite greatest care and diligence applied, we cannot rule out deviations from the images or measures, errors in calculation, misprints or omissions in this project. We therefore assume no liability for the accuracy and completeness of our information in this brochure.



**Separate oil coolers:**  
Additional oil cooler for applications with attachments that require a high hydraulic power density (e.g. a mulcher).

**Advantages:**

- The hydraulic oil is cooled better.
- Longer application times are possible.



**A separate 4<sup>th</sup> control circuit that is independently and individually operated (front and rear possible):**  
The vehicle is equipped with a dual-acting auxiliary control circuit.

**Advantage:**

- Allows the application of hydraulically activated attachments with several connections and functions (e.g. a snow blower).



**Electrical connections (front and rear):**  
Connections for electrically operated attachments or attachments with additional functions (such as rotary sweeper with water spraying device).

**Advantages:**

- This makes the operation of electrically driven attachments possible.
- This makes it possible to switch-over from attachments with hydraulically activated functions.



**Air-suspended, heated comfort seat:**  
The ergonomically favourable position can be set for any driver type and size.

**Advantages:**

- Driver fatigue only occurs later after prolonged application.
- Long-term investment in the operator's health.



**Rapid action couplings (Faster):**  
A coupling that can be used to connect several hydraulic hoses with one movement, even under pressure.

**Advantage:**

- Significant time savings when coupling.



**High Flow:**  
The vehicle is equipped with high flow volume flow increase and two control lines.

**Advantage:**

- Allows the driving of front attachments with separate oil engine drives, which require an increased demand for hydraulic power (e.g. for snow blower).



**Lifting arm damping from 13-series:**  
The lifting arm damping suppression absorbs and cushions oscillations from the loader unit and load during transport.

**Advantages:**

- Improved driving comfort.
- Increased driving safety.
- Higher travel speeds are possible.
- Less machine stress.



**Air-conditioning system:**  
The vehicle is equipped with an air-conditioning system.

**Advantages:**

- Comfortable working at high outdoor temperatures.
- Increases the safety and well-being in the cabin due to the filtering of the indoor air.
- No fogged up windows during winter use.



**Proportional control:**  
High performance hydraulics with proportional control. With this option, the 3<sup>rd</sup> control circuit and the telescopic function are proportionally controlled.

**Advantages:**

- Sensitive operation of the 3<sup>rd</sup> control circuit and the telescopic function.
- Shortening of the loading times and therefore an increased economic efficiency.



**Engine pre-heater:**  
Cold-start help for temperatures below -5 °C. Heating elements heat the coolant according to the principle of gravity (warm liquid rises, cold liquid falls).

**Advantage:**

- Easy starting of the engine at low outdoor temperatures.



**Speed increased to 30 or 40 km/h:**  
The vehicle is equipped with a speed of 30 or 40 km/h.

**Advantages:**

- Faster transposing of the machine is possible.
- Time savings and increased economic efficiency.



**Hand-inching:**  
With the low-speed control, very slow travel speeds can be achieved at a constant engine speed.

**Advantage:**

- When using attachments that, for example, are operated with a constant high rpm, but simultaneously with a very low travel speed (e.g. a rotary sweeper), you do not have to constantly operate the foot inching pedal.



# WEIDEMANN

*designed for work*

## Weidemann – a tradition of efficiency

For decades, our mission has been to lighten the load of commercial agriculture by the mechanisation of stable and yard operations. This led to the design and development of the Hoftrac®, which has become a generic term for its own equipment category – the original comes from Weidemann. The close co-operation between the Weidemann developers and our users has repeatedly led to innovative concepts and a sophisticated product programme with high usability and mature technology.

We stand by this and continue to pursue our chosen path. Our customers benefit from high productivity, investment security and have a strong partner in Weidemann, who is always at their side. Our machines and services perform at a high level and bring daily pleasure through their work operation. Made precisely for this. Weidemann – designed for work.



## Weidemann – your strong partner.

All-round care.



### Comprehensive dealer network.

Weidemann has a wide network of select dealers in Germany and Europe. Each dealer is part of a well-organised system. In addition to consulting and selling new machines, our dealers are happy to provide you with reliable customer service and supply you with spare parts. Weidemann offers regular training for dealers so that your contact partners are always up to date.

### Attractive financing programme.

In Germany, Weidemann offers attractive options for financing or leasing machines thanks to various framework agreements. Weidemann distributors also offer various financing options at the international level. Get in touch with your local contact partner to find out about current conditions.



### Personal training and instruction.

When you decide to purchase a Weidemann machine, you will not be left in the dark. When the machine is handed over, you and your entire team will receive detailed instructions on the operation and maintenance of the machine. If you would like to know more, simply contact your dealer. He or she is just around the corner and will be happy to help without bureaucracy.

### Warranty extension.

Upon request, you can extend the warranty period of your machine up to 60 months or 5,000 operating hours.



**WEIDEMANN**  
*designed for work*

The Weidemann product range.



**The multifunctional Hoftracs®.**

Powerful helper for every application. Our innovation: the fully electric 1160 eHoftrac®.



**The powerful wheel loader.**

Optionally available with load arm or telescopic arm.



**The compact telehandler.**

Aim high with optimal stability.



**Attachments and tyres.**

Your Weidemann machine becomes a multi-tool!  
The optimal attachment and the right tyres for every task.



WM.EMEA.10248.V01.DE/02/2017

**Weidemann GmbH**  
Mühlhäuser Weg 45-49  
34519 Diemelsee-Flechtdorf  
Germany  
Tel. +49(0)5633 609-0  
Fax +49(0)5633 609-666  
info@weidemann.de  
www.weidemann.de