

Technical sheet :

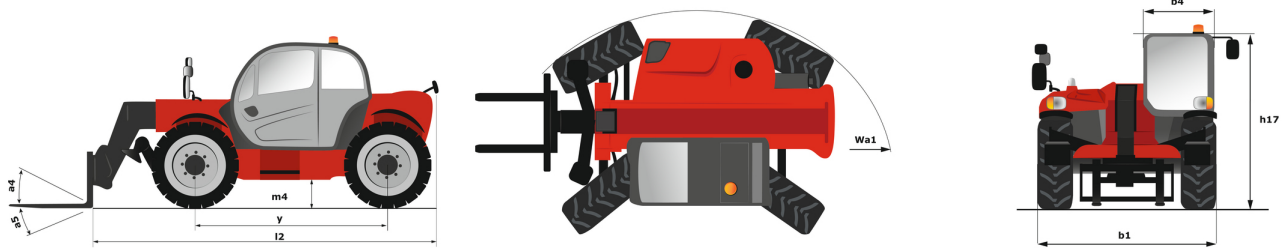
MT 1135 H EASY ST5



 **MANITOU**
HANDLING YOUR WORLD

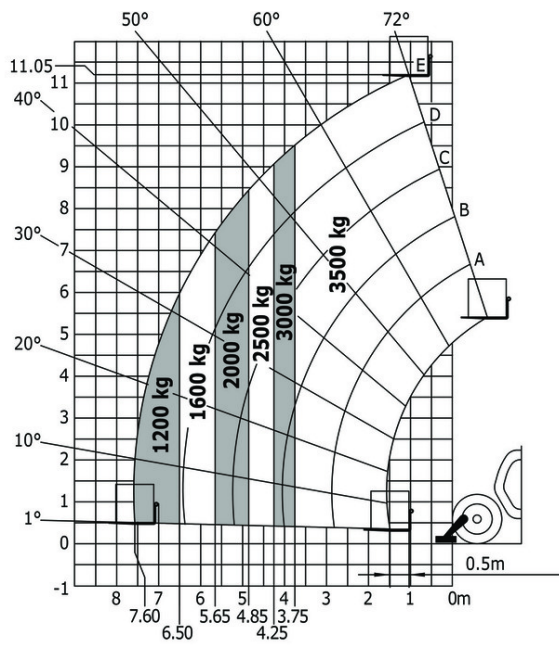
| Capacities | | Metric |
|---|-----------|---|
| Max. capacity | | 3500 kg |
| Max. lifting height | | 11.05 m |
| Max. outreach | | 7.75 m |
| Breakout force with bucket | | 6400 daN |
| Weight and dimensions | | |
| Overall length to carriage | l11 | 5.37 m |
| Overall width | b1 | 2.28 m |
| Overall height | h17 | 2.42 m |
| Wheelbase | y | 2.88 m |
| Ground clearance | m4 | 0.42 m |
| Overall cab width | b4 | 0.88 m |
| Tilt-up angle | a4 | 16 ° |
| Tilt-down angle | a5 | 110 ° |
| External turning radius (over tyres) | Wa1 | 3.65 m |
| Unladen weight (with forks) | | 8915 kg |
| Overall weight | | 8800 kg |
| Tyres type | | Pneumatic |
| Standard tyres | | Alliance 400/80 - 24 - 162A8 |
| Forks length / width / section | l / e / s | 1200 mm x 125 mm / 45 mm |
| Performances | | |
| Lifting | | 8.50 s |
| Lowering | | 7 s |
| Extension | | 13 s |
| Retraction | | 9 s |
| Crowd | | 5 s |
| Dump | | 3.80 s |
| Engine | | |
| Engine brand | | Deutz |
| Engine nom | | Stage V / Tier 4 final |
| Engine model | | TD 3.6 L |
| Number of cylinders / Capacity of cylinders | | 4 - 3621 cm ³ |
| I.C. Engine power rating - Power (kW) | | 55.92 kW / 55.40 kW |
| Max. torque / Engine rotation | | 330 Nm @ 1600 rpm |
| Drawbar pull (Laden) | | 8000 daN |
| Transmission | | |
| Transmission type | | Hydrostatic |
| Number of gears (forward / reverse) | | 3 / 2 |
| Max. travel speed | | 24.90 km/h |
| Parking brake | | Automatic parking brake |
| Service brake | | Oil-immersed multi-discs braking on front axles |
| Hydraulics | | |
| Hydraulic pump type | | Gear pump |
| Hydraulic flow / Pressure | | 125 l/min / 270 bar |
| Tank capacities | | |
| Engine oil | | 10 l |
| Hydraulic oil | | 140 l |
| Fuel tank | | 120 l |
| Noise and vibration | | |
| Noise at driving position (LpA) | | 78 dB |
| Noise to environment (LwA) | | 103 dB |
| Vibration on hands/arms | | < 2.50 m/s ² |
| Miscellaneous | | |
| Steering wheels (front / rear) | | 2 / 2 |
| Drive wheels (front / rear) | | 2 / 2 |
| Safety / Safety cab homologation | | Standard EN 15000 / Cabin ROPS - FOPS Level 2 |
| Controls | | JSM |

MT 1135 H easy ST5 - Dimensional drawing

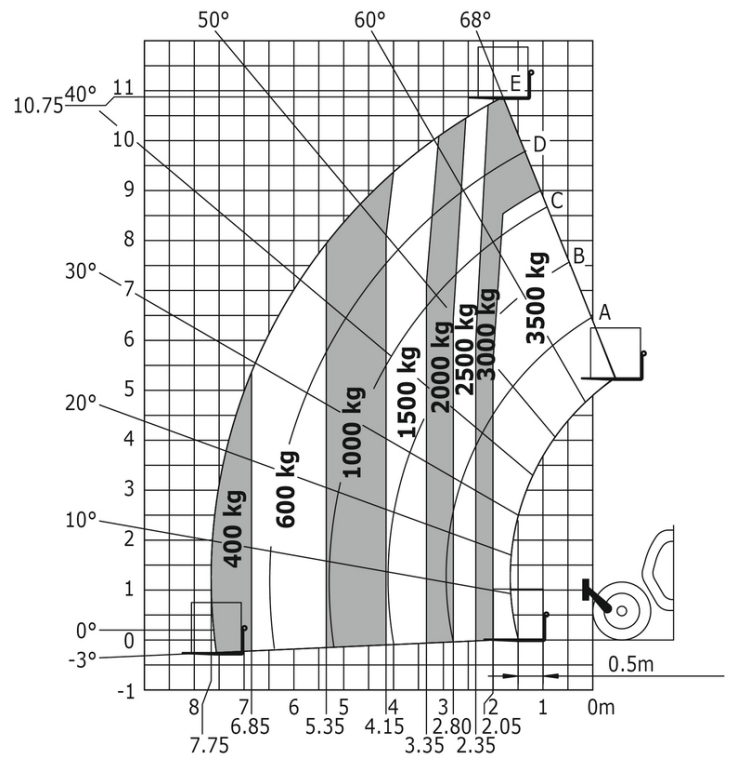


MT 1135 H easy ST5 - Load chart

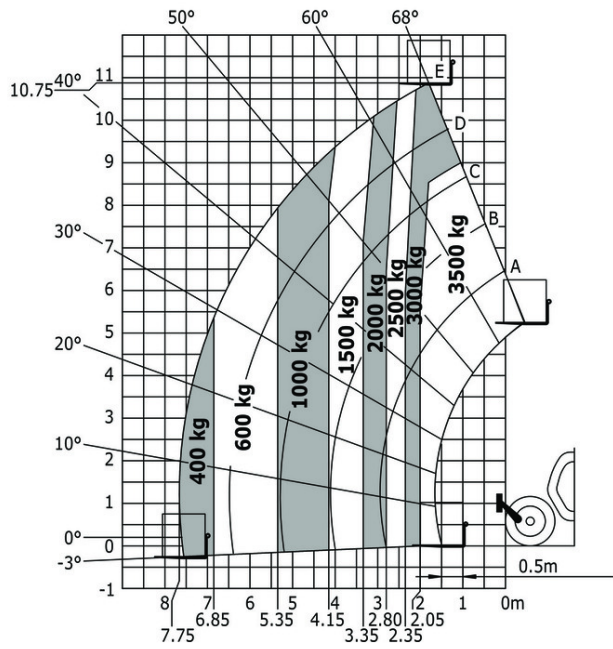
Machine on stabilisers with forks - with levelling device Metric



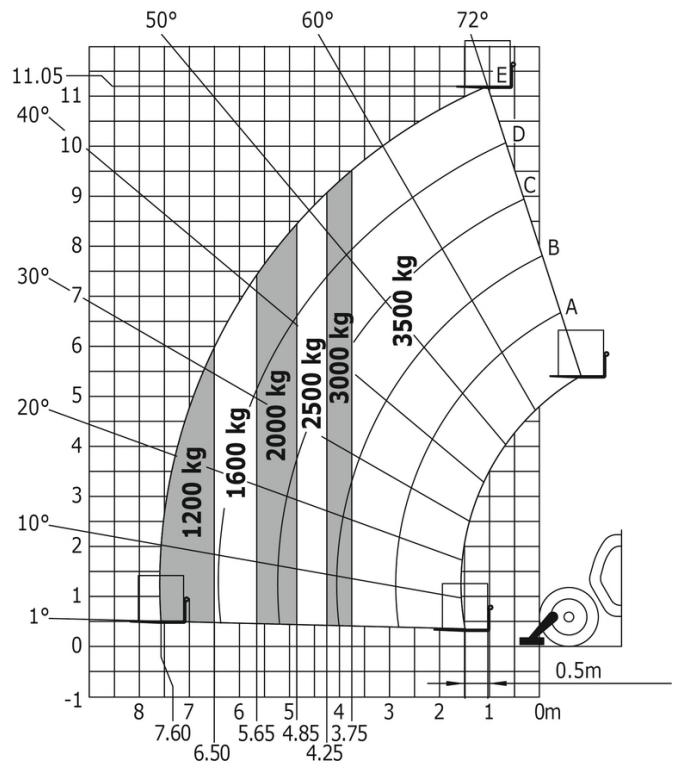
Machine on tyres with forks Metric

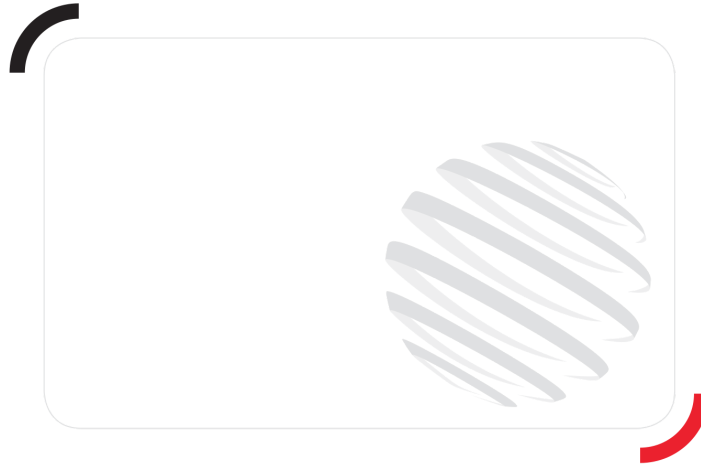


Machine on tyres with forks - with levelling Metric



Machine on stabilizers with forks Metric





Head Office

B.P. 249 - 430 rue de l'Aubinière

44150 Ancenis Cedex - France

Tel: +33 (0)2 40 09 10 11 - Fax: +33 (0)2 40 09 10 97

www.manitou.com



This publication provides a description of the configuration versions and options for Manitou products, which may differ for equipment. The equipment presented in this brochure may be part of a series, as an option, or it may not be available, depending on the versions. Manitou reserves the right, at any time and without notice, to amend the specifications described and represented. The specifications provided do not bind the manufacturer. For more details, please contact your Manitou agent. This is not a contractually binding document. The presentation of the products is not contractually binding. List of specifications non-exhaustive. The logos as well as the visual identity of the company are owned by Manitou and cannot be used without authorisation. All rights reserved. The photos and diagrams contained in this brochure are only provided for consultation and information purposes.

MANITOU BF SA - Limited company with board of directors - Share capital: 39,668,399 euros - 857 802 508 RCS Nantes