
Mowing Equipment Product Catalogue





OUR MISSION

Our mission is to design, manufacture and distribute the highest quality, most durable and reliable farm equipment in the world, which is affordable and meets or exceeds the expectations of our most demanding customers.

Highline Manufacturing is a division of Bourgault Industries Ltd. and as such shares a common standard of "pursuing perfection" in their business approach. Highline's shared approach is to develop relevant products of the highest quality that exceed the expectations of our most discerning customers.

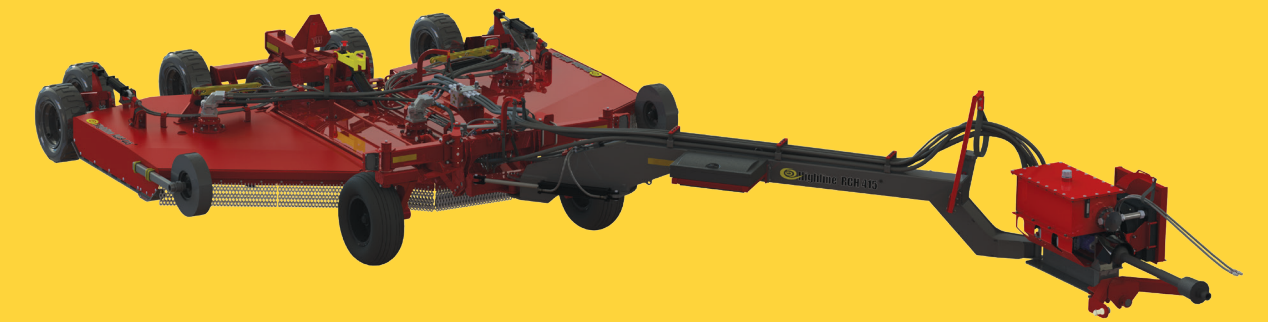


RCH™ 415 HYDRO MOWER



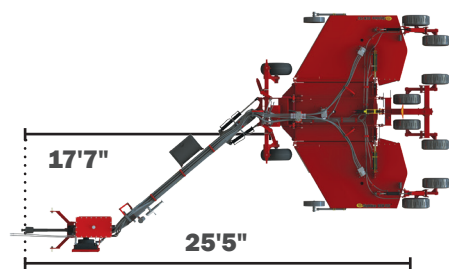
THE RCH™ HYDRO within ReaCH

The next generation of the RCH™ Hydro Mower is compact with exceptional maneuverability. The unique hydraulic drive system provides the benefits of minimal maintenance and extended blade life which both increase your daily cutting time. Just ask one of our current operators!



Save **TIME** and **INCREASE** Productivity.

An industry exclusive feature of a Highline® mower is the integrated Radial Contouring Hitch (RCH™). The RCH™ is designed to keep the tractor on the road and the Operator safe while achieving a quality cut.



Versatility - Mow on Both Sides of the Road Without Switching Configurations

Mow to the left or the right, or behind on flat areas. The mower can ReaCH either side without requiring a configuration change. The mower can be easily manipulated for backing up and turning around in tight spaces.



Independent Wing Lift

Mow in areas that are restricted for space by lifting each wing independently.

The ability to turn off the deck motors and lift the wings independently is exclusive to a hydraulic mower.

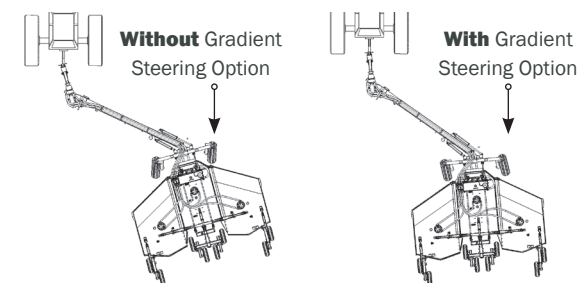


Greasing and maintenance have always been time consuming and cumbersome tasks. Care and greasing on traditional, mechanically-driven ditch mowers can take from 30 minutes up to an hour of preparation time every day! With the RCH™ Hydro Mower greasing and maintenance takes approximately 10 minutes.

In a mowing season of 100 days this translates into an extra 100 miles (160 kms) of mowing!

Gradient Steering

The gradient steering, available on the RCH™ Hydro Mower, in steep application minimizes side drag on tractor and excessive tractor tire wear



In this illustration the front wheels are free to caster and the mower is skewed noticeably.

In this illustration, the front wheels are steering the mower up the ditch, so the skew is reduced.





With conventional mowers, daily greasing is a tedious, laborious task. With the RCH™ Hydro, greasing of a single driveline is all that it takes to be up and running!

Higher Efficiency

Piston style motors and pump

The Hitch's Low Pull Point

Minimal downward force improves flotation.

The Large Tool Kit

Conveniently stores extra blades and tools for easy access when maintenance is required.

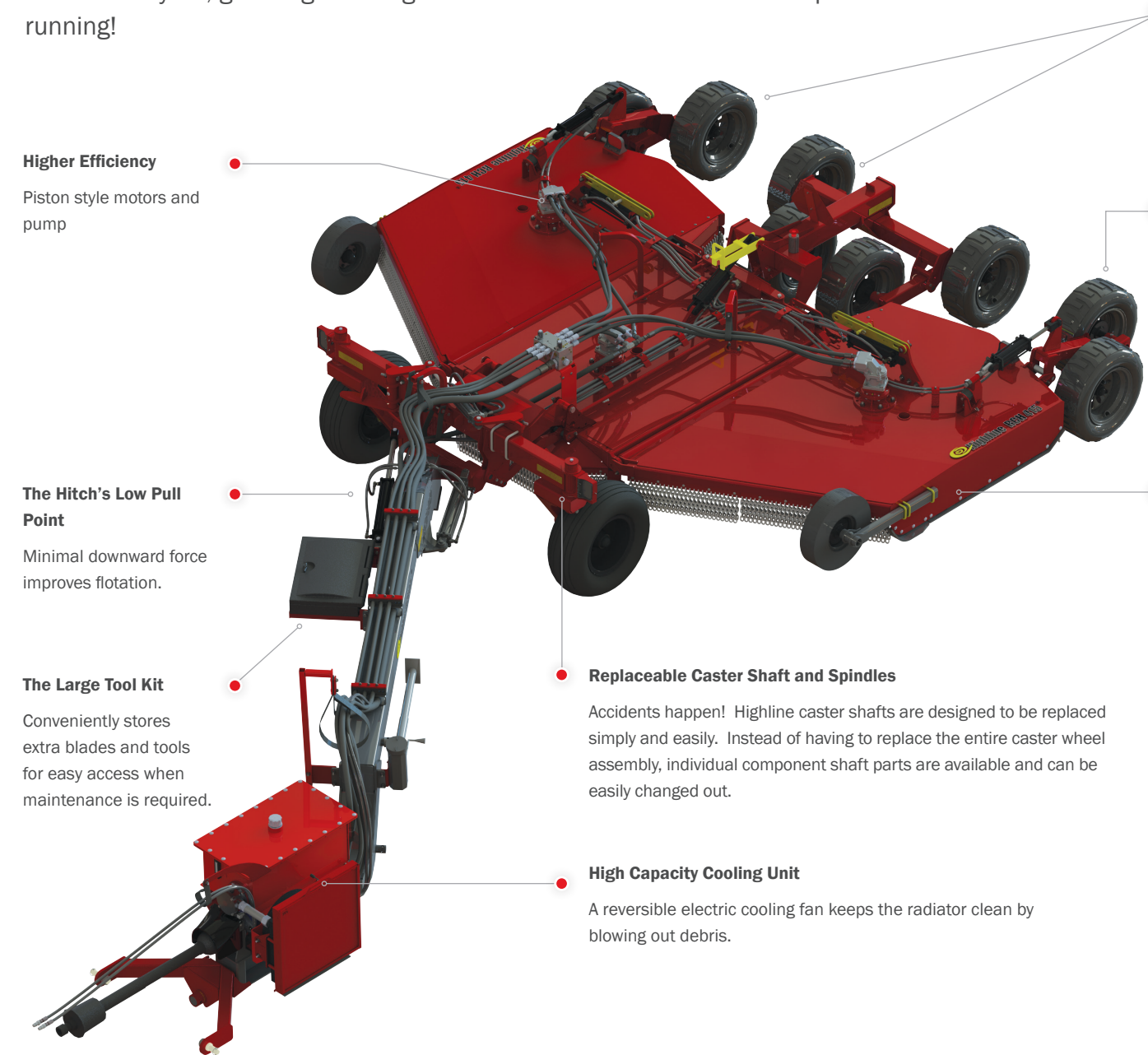
Rear and Wing Tires (Standard)
27 x 10.5, 15" Skid Steer

Walking Axle
Experience a smoother ride and better contouring with the walking axle on the wings.

Redesigned Skid Plates
Are made from durable abrasion resistant steel. Skid Plates may be exchanged from side to side for extended life and are replaceable.

Replaceable Caster Shaft and Spindles
Accidents happen! Highline caster shafts are designed to be replaced simply and easily. Instead of having to replace the entire caster wheel assembly, individual component shaft parts are available and can be easily changed out.

High Capacity Cooling Unit
A reversible electric cooling fan keeps the radiator clean by blowing out debris.





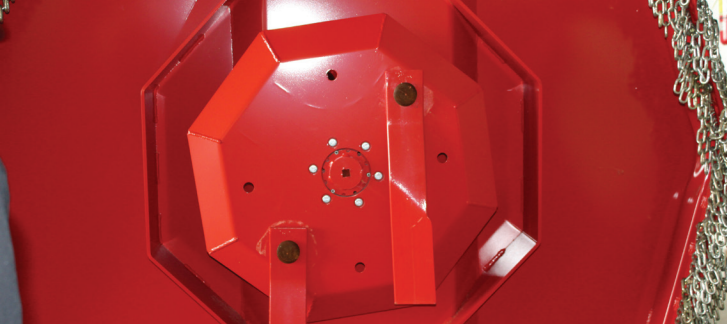
EXTREME
Maneuverability.
No need to steer the tractor around stop signs or obstacles – just use the hydraulic controls to maneuver the mower. Large front tires assist in ground contouring and provide excellent flotation.

The **RCH™ HYDRO MOWER**



THE OPTIONAL JOYSTICK IS SIMPLY MORE INSTINCTIVE!

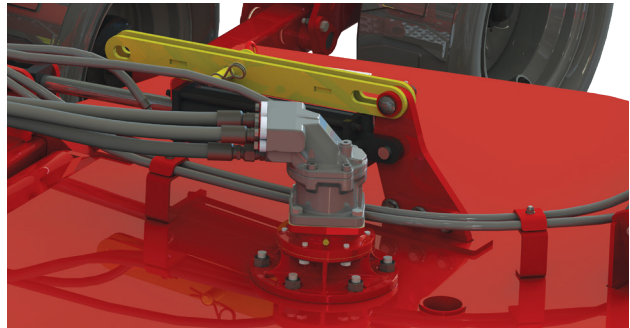
With all hydraulic functions on one control, the Operator can easily operate the RCH™ Hydro Mower with minimum effort. Operators are raving about the ease of use the joystick provides.



LARGE, SMOOTH UNDERSIDE SHREDS MULCH.

A depth of 11" from the underside of the deck to the blade allows for a larger volume of material to be mulched, resulting in a better cut. The deck protection rings protect the underdecks from damage due to the rotary blade, flying rocks, or debris.

THE HYDRAULIC DRIVE ADVANTAGE



The hydraulic drive advantage translates into less time doing maintenance and more time operating! This is because the hydraulic drive system eliminates a number of moving parts including slip clutches which can wear over time reducing overall performance. Also, when a mower blade hits an obstacle, the hydraulic pressure is relieved, reducing force being applied on the blade and potential damage. The hydraulic drive system reduces the number of PTO drive shafts which means less time greasing.

Drive your tractor on a safe footing while ReaCHing into more difficult places with the mower. The RCH™ design allows the tractor to remain on the road on a safe level footing. There is no need to run dual tires to increase stability. No more tractors stuck in soft ditches. Gone are the days of putting your foot on the tractor window to keep yourself in the seat, reducing driver fatigue.



RCH 415 SPECIFICATIONS

Cutting Swath	180" (4.57 m)	Deck Thickness	$\frac{3}{16}$ " High Impact Resistant
Cutting Capacity	3 $\frac{1}{2}$ " (89 mm)	Blade Tip Speed	15250 FPM (4650 mpm)
Cutting Height	2" to 15" (51 mm to 381 mm)	Standard Front Tires	32 x 11.5 x 15 22 Ply
Overall Width (to outside of wings lowered)	196" (4.98 m)	Rear Tires (Wing)	27 x 10.5, 15" Skid Steer (Standard)
Overall Length	392" (10 m)	Rear Tires (Center)	27 x 10.5, 15" Skid Steer (Standard)
Transport Width	120" (3.05 m)	Hydraulic Fluid	AW68
Weight	9735 lb (4416 kg)	Oil Capacity	20 Imp Gal (94 L)
Blade Size	$\frac{1}{2}$ " x 4" (13 mm x 102 mm)	Deck to Blade Clearance	11" (279 mm)
Wing Working Range	25° Down, 55° Up	Tongue Weight	1275 lb (578 kg)
Double Safety Chains All Round	Standard	Driveline	Cat 4 1000 PTO -1 $\frac{3}{8}$ " 21 Spine
Minimum Recommended HP	140 hp (104 kW)		

While every effort has been made to ensure that the information is accurate/current at the time of production, all specifications are subject to change.

*For the latest product information, please visit:
www.highlinemfg.com.*



YOUR LOCAL PROFESSIONAL HIGHLINE DEALER:



Printed in Canada - 09.22



Highway #27, PO Box 307
Vonda, SK, Canada S0K 4N0

www.highlinemfg.com