

TABLE OF CONTENTS

<u>DESCRIPTION</u>	<u>PAGE NUMBER</u>
Warranty	2
Safety Instructions.....	3
Safety Signs.....	5
Operating Instructions	6
Maintenance and Lubrication	8
Storage	8
Assembly Instructions	9
Tube Assembly Drawing	15
Tube Assembly Parts List	16
Undercarriage, Axle, Lift Arm Assembly Drawing.....	20
Undercarriage, Axle, Lift Arm Assembly Parts List.....	21
PTO Belt Drive Assembly Drawing.....	24
PTO Belt Drive Assembly Parts List.....	25
PTO Engine Drive Assembly Drawing.....	28
PTO Engine Drive Assembly Parts List.....	29
Direct Drive Assembly Drawing.....	31
Direct Drive Assembly Parts List.....	32
Bridging Assembly Drawing	33
Bridging Assembly Parts List	34
Cable Assembly Drawing.....	35
Cable Assembly Parts List	36
Clamp-on Motor Mount Drawing & Parts List.....	37
Clamp-on Motor Mount Instructions	39
Winch (No. 1550)	40
Winch (No. 1550) Parts List	41
Winch (No. K2550).....	42
Winch (No. K2550) Parts List.....	43
Auger PTO Assembly Drawing.....	44
7" & 8" Auger PTO Assembly Parts List.....	45
10" Belt Drive Auger PTO Assembly Parts List	46
10" Direct Drive Auger PTO Assembly Parts List	47
7" & 8" Conventional Auger Gearbox	48
10" Conventional Gearbox	49
Shipping Bundles	50

WARRANTY REGISTRATION AND POLICY

Buhler Manufacturing products are warranted for a period of twelve (12) months from original date of purchase, by original purchaser, to be free from defects in material and workmanship under correct, normal agricultural use and proper applications.

Buhler Manufacturing's obligations under this warranty shall be limited to the repair or exchange, at Buhler Manufacturing's option, of any Buhler Manufacturing product or part which proves to be defective as provided. Buhler Manufacturing reserves the right to either inspect the product at the buyer's location or have it returned to the factory for inspection.

The above warranty does not extend to goods damaged or subject to accident, abuse or misuse after shipment from Buhler Manufacturing's factory, nor to goods altered or repaired by anyone other than an authorized Buhler Manufacturing representative.

Buhler Manufacturing makes no Express Warranties other than those, which are specifically described. Any description of goods, including any references and specifications in catalogues, circulars and other written material published, is for the sole purpose of identifying goods and shall conform to such descriptions. Any sample or model is for illustrative purposes only and does not create an Express Warranty that the goods conform to sample or model shown.

The purchaser is solely responsible for determining suitability of goods sold. This warranty is expressly in lieu of all other warranties expressed or implied. Buhler Manufacturing will in no event be liable for any incidental or consequential damages whatsoever. Nor for any sum in excess of the price received for the goods for which liability is claimed.

WARRANTY CLAIMS:

Warranty requests must be prepared on Buhler Manufacturing Warranty Claim Forms with all requested information properly completed. Warranty Claims must be submitted within a thirty (30) day period from date of failure repair.

WARRANTY LABOR:

Any labor subject to warranty **must** be authorized by Buhler Manufacturing. The labor rate for replacing defective parts, where applicable, will be credited at a rate determined by the Company, Buhler Manufacturing.

IMPORTANT FACTS:

Buckets and Bucket Tines Carry No Warranty

Bent Spears Carry No Warranty

Snowblower Fan Shafts Carry No Warranty

Mower Blades Carry No Warranty

Conventional Auger Parts Have Two (2) Year Warranty

SAFETY INSTRUCTIONS

The safety of the operator of any piece of equipment is of prime importance to the manufacturer and the following precautions should be taken when operating, starting or doing any maintenance work on this auger.

Always transport the auger in the down position carrying the weight of the auger on the winch cable and not on the transport stops.

When moving the auger on a road use red flag, or at night, if absolutely necessary, accessory lights for adequate warning to operators of other vehicles.

The auger must be on a level surface and the wheels free to move when raising or lowering. Everyone should be kept clear during these operations.

Never stand under the auger while raising or lowering.

When filling tall bins, tanks or granaries, it is advisable to anchor the auger to the bin or building to prevent it from being tipped over by the wind or a sudden movement. The upper end of auger should rest on some support when in operation.

Keep hands, feet and clothing away from exposed flighting and all moving parts. Do not allow children or anyone other than the operator close to the auger when in operation.

Before attempting to service, adjust or unclog an auger, disengage drive and shut off engine. In the case of an electric motor, shut off switch and unplug the connection.

Never operate an auger with the tail end off the ground.

When storing, the tail should be tied or weighted to prevent children or others from tipping the auger. The power source should be fixed in such a way that no one except an authorized person could start the unit.

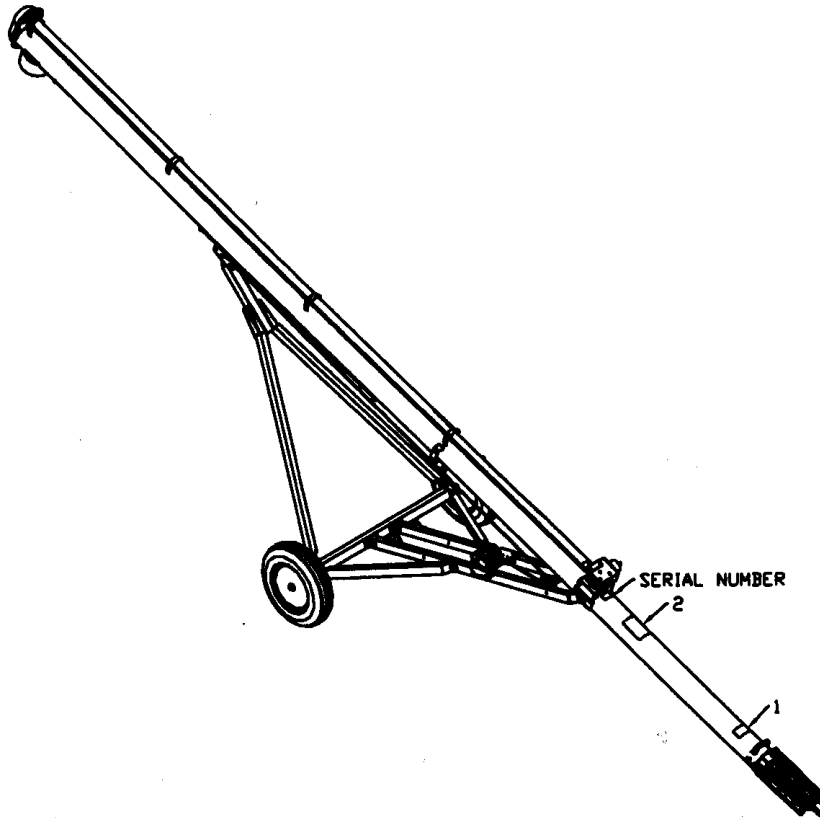
Never raise the tail of an auger above waist high as the balance shifts forward and the auger will tip over.

Check to see that the set screws holding the PTO shaft on the gearbox shaft are firmly tightened every time you are preparing to use the auger.

**CAUTION**

1. Read and understand the operator's manual before operating.
2. Keep all safety shields and devices in place.
3. Make certain everyone is clear before operating or moving machine.
4. Keep hands, feet and clothing away from moving parts.
5. Shut off power to adjust, service or clean.
6. Support discharge end or anchor intake end to prevent upending.
7. Disconnect power before resetting motor overload.
8. Empty auger before moving, to prevent upending.
9. Lower auger to transport position for transporting.
10. Make certain electric motors are grounded.

8" & 10" CONVENTIONAL AUGER (2000 SERIES) SAFETY SIGNS



REPLACE SAFETY SIGNS IMMEDIATELY SHOULD THEY BECOME DAMAGED, TORN OR ILLEGIBLE. OBTAIN REPLACEMENTS FROM YOUR AUTHORIZED DEALER USING THE PART NUMBERS SHOWN.

CA-18

1. SAFETY SIGN – PART #961016



961016

CAUTION

1. Do not operate the unit before reading and understanding the Operator's Manual.
2. Keep all safety devices in place.
3. Keep off of the equipment at all times.
4. Keep hands, feet, and clothing away from moving parts while in operation.
5. Make certain everyone is clear of the equipment before applying power or moving the machine.
6. Do not adjust, service, lubricate, clean, unclog, or move the mechanism until all power is shut off.
7. While in operation, always support the discharge end or provide adequate anchorage of the intake end to prevent sudden tipping.
8. Disconnect power of electrical driven units before resetting motor over loads.
9. To avoid tipping, make sure auger is empty before attempting to move.
10. Keep wheels of undercarriage level and on firm ground.
11. Lower unit to the recommended transport position before transporting.
12. Do not operate electric motor equipped units until they are properly grounded.
13. Keep children, visitors, and all untrained personnel away from machine while in operation.
14. Lower auger when moving close to overhead power lines.


961017


OPERATING INSTRUCTIONS

All augers may be elevated up to 45°: however, for best operating efficiency, 35° should not be exceeded. At angles over 35° the capacity and life of the auger decreases.

Never operate an empty auger for over one minute, as the flighting and housing will experience excessive wear.

To position the auger, always tow or move the auger in the down position to a point as close as possible to the bin or barn.

 **CAUTION:** Always keep the wheels level. Raise the auger to the desired height and back the auger into position. Rest the head on some support. As an auger is emptied the head becomes heavy, the tail becomes light, and the auger could tip.


 **CAUTION:** Never place blocks under the wheels to increase the elevation of the auger.

Be sure the wheels are free to move and no one is standing close to the auger when raising or lowering. Never attempt to raise or lower the auger while it is in operation.

The auger is equipped with a safety brake winch. The auger may be raised or lowered by simply turning the winch handle in the proper direction until the desired discharge height is obtained.

Never have less than three wraps of cable on the drum of the winch.

NOTE: Arrow on winch shows proper direction of rotation. Improper rotation may cause winch brake failure.

 **CAUTION:** All wiring should be done by a competent electrical contractor to assure the electric motor is receiving the correct voltage and the cable will carry the correct load.

The life of a motor is greatly reduced if it is run at too high or too low voltage. Also, a motor cannot develop full power if the cable is too small. The electrical supply to each motor should include an enclosed safety switch or circuit breaker of the correct size to protect the motor from being overloaded. The switch should be under a padlock to prevent the motor from being turned on by accident while working on or moving the auger. This will also prevent unauthorized persons or children from operating the motor. A magnetic starter should be used to shut off the motor in case of low voltage, loss of power, or overloading the motor.


The electric motor must then be started manually.

Power take-off drives are designed for tractors with 540 RPM power take off and should not be run by tractors with 1000 RPM power take-off.

OPERATING INSTRUCTIONS – cont'd.

CAUTION: Always check to see that both ends of the PTO shaft are securely attached before using any PTO drive auger. This should always be done with the tractor shut off.

To assure a long life from a PTO tumbler shaft, operate the shaft at the least angle possible and always keep the tractor axle parallel to the side of the auger housing.


 **CAUTION:** Always maintain at least a 6" lap on the tumble shields. Be sure they turn freely and make certain everyone stands clear of the tractor, tumbler shaft, and auger before engaging power take-off. Be sure ends are securely connected to the auger and tractor.

Before engaging power take-off, start tractor and idle engine. Engage power take-off slowly and bring PTO RPM up to recommended speed of 500 RPM.

Before stopping auger (except in an emergency) let all grain empty out of the auger, idle engine then disengage power take-off. Shut off tractor.

NOTE: When operating an auger for the first time when new or at the beginning of a season, run only partially full until flighting becomes polished. It is always a good idea to check the flighting for freedom of movement by turning pulley or tumbler shaft by hand before connecting to a power source. Other items to check are the head (spout) and intake cage for bird nests or other obstructions before starting the auger.

IMPORTANT: Always lower auger before transporting and allow the weight of the auger to rest on the winch cable and not on the transport stops.

 **CAUTION:** When towing the auger, never exceed 20 miles per hour.

Always use a flag, or at night, a signal light when towing an auger on a road. Check your local regulations for further safety devices in this regard.

MAINTENANCE AND LUBRICATION

Check condition of winch cable occasionally and replace if it shows wear. The wear will occur on the first few wraps around the drum of the winch.

The main thing to check on the cable is for broken strands or rust, which penetrates the cable core. This is particularly important if the auger is more than a few years old.

Lubricate the PTO tumbler shaft universal joints every five hours. Grease the PTO shear yoke before using PTO for the first time.

Oil the moving parts of the winch two times per year.

Check the oil level of the gearbox one time per year and maintain the level at $\frac{1}{2}$ full. Use SAE90.

The plastic chain guard at the top of the auger must be removed to inspect or replace the chain and sprockets. When replacing the plastic guard, clean off the residue from the old silicone and apply a fresh bead using a caulking gun. There must be about 2 pounds of grease in the guard. The bolts should be tightened in a criss-cross sequence to ensure proper seating of the guard. The bolts are a $\frac{1}{4}$ " grade 5 which should be torqued to about 9 foot pounds using a torque wrench.

After every 40 hours of use, add approximately 10 squirts of grease to chain cover at the top of the auger.

NOTE: When replacing bearings or tightening a loose bearing collar, always tighten collar in the direction of shaft rotation using a center punch or a similar tool.

If the auger is towed extensively, the wheel bearings should be repacked at least semi-annually.

STORAGE

The auger should be stored in a dry place if possible. If stored outside, lower auger to its lowest position and tie the tail end down so that no one can accidentally overturn it.

Clean auger thoroughly as dirt draws moisture and causes metal to rust. If the auger has been used to move fertilizer, clean thoroughly and apply oil or grease on entire flighting and inside the housing to stop and prevent further corrosion.

Remove belts and store in a cool dry place if auger is to be left outdoors.

At this time check all moving parts for wear and order replacement parts from your nearest dealer.

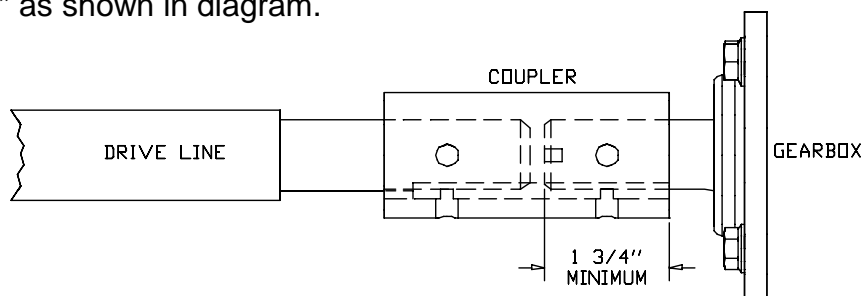
When taking the auger out of storage, clean it thoroughly and check for obstructions at the inlet and outlet ends. Check the oil in the gearbox.

Check all bolts and set screws.

FARM KING CONVENTIONAL GRAIN AUGER ASSEMBLY INSTRUCTIONS

1. Pages 15-19: Assemble the bottom section #1 to the top section #2 making sure the flighting is aligned and locked with a hex bolt and lock nut. (7" & 8" – 3/8" x 2" grade 8, 10" – 1/2" x 2 3/4" grade 8). **10" Augers only:** The drive lines for the two sections are connected using a 1 5/16" sq. x 5 1/2" coupler #59. Use hex bolts, lock washers and hex nuts to fasten the auger rings together (7" & 8" – 3/8" x 1", 10" – 1/2" x 1 1/4"). Align the two sections before tightening the bolts. Be sure to tighten bolts evenly – first one side and then the other. Bolt the intake assembly #11 to the bottom of the auger using 3/8" x 2" hex bolts, lock washers and hex nuts.
2. Pages 15-19: **7" & 8" Augers:** The gearbox is shipped without oil. Before you mount the gearbox on the auger, remove the top plug and fill with about 500 ml of SAE90 oil. The gearbox may be used on either the left or the right side. Connect the gearbox to the drive line with a coupler #25 using a 1/4" x 1/4" x 3 1/2" key and 3/8" x 3/8" socket set screws. Bolt the gearbox to the mounting plate on the tube using 3/8" x 3/4" hex bolts and lock washers.

NOTE: The pinion shaft of the gearbox should protrude into the 4" coupler at least 1 3/4" as shown in diagram.



Bolt the gearbox plate #20 to the top of the gearbox with the ring on the drive side. The extension shield holder #19 bolts on top of the plate with the welded bolt turned towards the top of the auger. Use the same hardware as for the gearbox.

10" AUGERS: The gearbox is shipped without oil. Before you mount the gearbox on the auger, remove the lid and fill the gearbox about 1/3 full with SAE90 oil (oil should just be touching the bottom of the gears, do not overfill).

Use gasket glue when replacing the cover to reduce the chance of leaks. The gearbox may be used on either the left or the right side. Check to see that the breather plug on the gearbox lid will be on the top and the drain plug will be at the bottom when the gearbox is bolted to the auger. Connect the gearbox to the splined coupler on the drive line and bolt on the gearbox using 1/2" x 1" hex bolts and lock washers. Bolt the gearbox plate #20 to the top of the gearbox with the ring on the drive side. The extension shield holder #19 bolts on top of the plate with the welded bolt turned towards the top of the auger. Use the same hardware as for the gearbox.

FARM KING CONVENTIONAL GRAIN AUGER ASSEMBLY INSTRUCTIONS – cont'd.

3. Pages 15-19: Mount the drive line shields #6 starting at the top of the auger before you lift the auger. The final extension shield #5 will be mounted after the auger is assembled. Bolt the extension shield to the shield holder #19 using a 5/16" flat washer, lock washer and hex nut.

4. Pages 33 & 34: Bridging should be assembled on the main auger tubes before raising the auger.

7" & 8" x 46' & 51' – Bolt the bridging bracket #4 to the welded bracket on the pipe ring using 3/8" x 1 1/4" hex bolts, lock washers and hex nuts. Attach the cross brace #5 to the top of the yoke using the same size hardware. The tie rods #8 are fitted through the sleeves welded to the yoke and through the sleeves welded to the sides of the auger tube. Tension the tie rod using the hex nuts at each end.

8" x 56' – Bolt the bridging bracket #19 to the bracket at the top of the extension auger using 1/2" x 1 1/2" hex bolts, lock washers and hex nuts. Attach tie rod #21 to the top of the bridging yoke using 3/8" x 1 1/4" hex bolts, lock washers and hex nuts. Mount the two cables #17. Bolt the cable yokes #20 to the bottom of each cable using 1/2" x 2" hex bolts, lock washers and hex nuts. Bolt the yokes to the cable brackets welded to the main tubing with the same hardware. The cables are fastened to the bridging yoke using 3/8" cable clamps and 10 ga., 3/8" I.D. flat washers. Do not tighten these clamps until the cable has been tensioned using a 1/2" hex nut on the threaded end at the top of the cable.

10" x 51' – Assemble bridging yoke #23, tie bar #24 and cables #22 to the auger tubes. Use exactly the same assembly procedure as described in the 8" x 56' section on cable assembly. The same sizes of hardware are also used.

5. Pages 20-23: Mount the two undercarriage arms #1 and #2 to the pivot pin under the welded gearbox mount using 1 1/2" washers #8 and 5/16" x 2 1/4" cotter pins #9.

NOTE: Some of the direct drive models have two welded gearbox plates on the bottom tube. The pivot pins for these augers will always be under the higher of the two plates. Bolt the undercarriage arms to the axle #5 using hex bolts, lock washers and hex nuts. (7" & 8" – 1/2" x 3 1/4", 10" – 5/8" x 3 1/2")

Bolt the lift arm extension #7 to the top of the two lift arms #6. Use 1/2" x 4" bolts, lock washers and hex nuts for the 7" & 8" and 5/8" x 4 1/2" for the 10". Slide the track roller assembly #45 onto the track with the large roller turned to the bottom of the auger. Bolt the track stops #27 (Pages 15-19) to the top and near the bottom (4" to 11 1/2") of the track (**NOTE: for 41' augers use 31"**) using 5/16" x 1" hex bolts, lock washers and hex nuts for 7" & 8" augers and 3/8" x 1" for the 10". The cable anchor #26 (Pages 15-19) bolts to the very bottom of the track using the same hardware. The top end of the assembled lift arm bolts to the track roller using 1/2" x 4 1/2" bolts and lock nuts for the 7" & 8" and 5/16" x 6" bolts for the 10". The bottom of the lift arms bolt to the inside of the welded axle brackets using bolts and lock nuts (7" & 8" – 5/8" x 1 1/2", 10" – 3/4" x 2 1/4"). The right #3 and left #4 cross tubes bolt to the undercarriage using 1/2" x 3" hex bolts, lock washers and hex nuts and to the axle using 1/2" x 1 1/2" hex bolts, lock washers and hex nuts. The r.h. brace is the one with the winch bracket. Make sure it is turned as shown in drawing.

FARM KING CONVENTIONAL GRAIN AUGER ASSEMBLY INSTRUCTIONS – cont'd.

6. Pages 20-23: Bolt the mounting plate #37 to the undercarriage arms using 3/8" x 2 3/4" bolts, lock washers and hex nuts. The 7" & 8" x 36' augers have the idler pulley on the top of the mounting plate. All other sizes have the pulley underneath the plate. Fit the slots in the winch bracket onto the right hand cross tube and slide against the welded stop. The slots in the winch bracket at 90° to the cross tube are turned up. Bolt in place using two connector plates and 3/8" x 1 1/4" hex bolts, lock washers and hex nuts. Bolt the winch #38 to the winch bracket on the r.h. cross tube #3 using 3/8" x 1" hex bolts, lock washers and hex nuts. Flat washers are supplied for bolts which go through slotted holes.
7. Pages 20-23: Bolt the swivel pulley holder #40 to the loops at the top and inside of the undercarriage using 5/16" x 2" hex bolts, lock washers and hex nuts. The pulley holder is offset on the shaft. For 7" & 8" augers turn so the pulley is offset towards the same side as the drive. For 10" augers the pulley is offset to the side opposite the drive.
8. Pages 35 & 36: Thread the cable #1 as shown in the drawing. From the winch the cable goes around the cable pulley on the idler plate. From there you go around the swivel and around the groove in the bottom roller of the track roller assembly. The end of the cable is clamped to the cable anchor at the bottom of the track assembly. Clamp to the winch spool using the clamps supplied with the winch.
9. Pages 20-23: A clevis holder #52 bolts to the top end of one undercarriage arm using a 3/8" x 3" hex bolt, lock washer and hex nut. This holder is used as a place to leave the intake swivel clevis when it is removed prior to inserting the auger in a bin.
10. Pages 20-23: Mount the wheels #36 and tires on the axle using 1/2" wheel bolts.

PTO BELT DRIVE AUGERS: Pages 24-27.

11. a) Install the hanger #45 between the welded brackets near the bottom of the undercarriage using the 1" shaft #46 and two 1/4" x 1 1/2" cotter pins. Turn as shown in drawing.
- b) Bolt the PTO mount assembly #27 to the hanger using 1/2" x 1 1/4" hex bolts, lock washers and hex nuts.
- c) Bolt the guard plate #2 to the back of the pulley guard #38 using 1/4" x 1/2" hex bolt, lock washers and hex nuts. Slide onto the welded ring on the PTO mount #27. The guard is held on by a ring #56 with two 5/16" x 3/4" set screws and hex nuts. Hinge on guard must be up.
- d) Attach the 12" pulley #8 to the arbor shaft #28 using a 1/4" key (7" & 8" - 2"; 10" - 3 3/8") and set screws.
- e) A 13 3/4" pivot arm #39 bolts to the back of the guard with a 3/8" x 1" hex bolt and lock nut and to the undercarriage with a 3/8" x 2 3/4" hex bolt and lock nut. Turn as shown in drawing.

FARM KING CONVENTIONAL GRAIN AUGER ASSEMBLY INSTRUCTIONS – cont'd.

- f) Bolt a guard plate #2 to the 6" guard #1. Attach to the welded ring on the gearbox plate. The guard is held on by a ring #56 mounted as in Step C. Hinge on guard must be up.
- g) Bolt the 9" long guard pivot arm #4 to the back of the guard using 5/16" hex bolts, lock washers and hex nuts. A 10 3/4" pivot arm #5 bolts to the end of the 9" arm and to the undercarriage. Turn arm as shown in drawing.
- h) Mount the 6" pulley on the gearbox. Fasten with a key (7" & 8" - 1/4"; 10" - 3/8") and set screws.
- i) Align the pulleys with the tube and mount the belts #55.
- j) All belt drive augers 41' and longer are supplied with a belt idler. The first step in assembly is to bolt the idler guard arm #63 to the idler mounting plate using 3/8" x 1 1/4" hex bolts, lock washers and hex nuts. Bolt the idler guard #62 to this arm using 5/16" x 1" hex bolts, lock washers and hex nuts. The idler pulley assembly bolt fits through the slots in the arm and guard. A flat washer on the idler bolt is placed on each side of the slot.
- k) Bolt the belt tightener brackets #40 under the gearbox with the bevel to the intake end using 3/8" bolts (7" & 8" - 2 3/4"; 10" - 3"), lock washers and hex nuts. The outer tightener #41 bolts to the bracket using 1/2" bolts (7" & 8" - 2 3/4"; 10" - 3") and lock nuts. The inner tightener tube #42 slides into the outer and bolts to the bottom of the hanger #45 using 1/2" x 3" bolt and lock nut. Tension belts and hold in place using the set screw in the outer tube.
- l) Bolt a guard plate #3 on the outside of the 6" guard #1 to cover the opening using 1/4" x 1/2" hex bolts, lock washers and hex nuts. Bolt the guard mount #31 to the outside of the 12" guard with the same size of hardware. Slide the flexible PTO guard #32 and the guard clamp #33 onto the PTO shaft. Attach the PTO shaft using 1/4" key, set screws and clamp bolt. Securely tighten set screws and clamp bolt. After mounting the PTO, clamp on the flexible PTO guard using a 5/16" x 1 1/4" hex bolt, lock washer and hex nut.
- m) Bolt the PTO cradle #49 & #50 onto the lift arms for transport position. A pin in the cradle keeps the PTO shaft from falling out during transport.
- n) When belts, pulleys and idler are aligned, bolt the bottom edges of both belt guards and the idler guard together using 1/4" x 1/2" hex bolts, lock washers and hex nuts.

ENGINE BELT DRIVE AUGERS: Pages 28-30:

- 12. a) Install the hanger #29 between the welded brackets near the bottom of the undercarriage using the 1" shaft #18 and two 1/4" x 1 1/2" cotter pins. Turn as shown in drawing.
- b) The motor mount #33 should be installed so the handle is toward the axle. Use 1/2" x 1 1/4" hex bolts, lock washers and hex nuts.
- c) The motor mount spacer #37 and the guard mount #38 fit under the motor base and are bolted on together with the gas motor. The ring on the guard mount is used to clamp on the guard for the motor pulley.

FARM KING CONVENTIONAL GRAIN AUGER ASSEMBLY INSTRUCTIONS – cont'd.

- d) Bolt the guard plate #2 to the back of the 12" guard #1 using $\frac{1}{4}$ " x $\frac{1}{2}$ " bolts, lock washers and hex nuts. Slide onto the welded ring on the gearbox plate. The guard is held on by a ring #41 with two $\frac{5}{16}$ " x $\frac{3}{4}$ " set screws and hex nuts. Hinge on guard must be up.
- e) Mount the 12" pulley #4 on the gearbox using a key (7" & 8" - $\frac{1}{4}$ "; 10" - $\frac{3}{8}$ ") and set screws.
- f) A 10 $\frac{3}{4}$ " pivot arm #5 bolts to the inside of the guard with a $\frac{3}{8}$ " x 1" hex bolt and lock nut and to the undercarriage with a $\frac{3}{8}$ " x 2 $\frac{3}{4}$ " hex bolt and lock nut. Turn as shown in drawing.
- g) Bolt the clamp plate #13 to the back of the engine pulley guard. Turn as shown in drawing. Clamp the guard to the welded ring on the guard mount #38 using $\frac{5}{16}$ " x 1 $\frac{1}{4}$ " hex bolts, lock washers and hex nuts. Hinge on guard must be up.
- h) Mount the engine pulley #39 on the gas engine. This pulley must be supplied by the customer.
- i) Align the pulleys with the tube and mount the belts #40.
- j) All belt drive augers 41' and longer are supplied with a belt idler. The first step in assembly is to bolt the idler guard arm #45 to the idler mounting plate using $\frac{3}{8}$ " x 1 $\frac{1}{4}$ " hex bolts, lock washers and hex nuts. Bolt the idler guard #44 to this arm using $\frac{5}{16}$ " x 1" hex bolts, lock washers and hex nuts. The idler pulley assembly bolt fits through the slots in the arm and guard. A flat washer on the idler bolt is placed on each side of the slot.
- k) Bolt the belt tightener brackets #25 under the gearbox with the bevel to the intake end using $\frac{3}{8}$ " bolts. (7" & 8" - 2 $\frac{3}{4}$ "; 10" - 3") lock washers and hex nuts. The outer level rod #20 bolts to the brackets using $\frac{1}{2}$ " bolts (7" & 8" - 2 $\frac{3}{4}$ "; 10" - 3") and lock nuts. The inner tightener tube #21 slides into the outer and bolts to the bottom of the hanger #29 using $\frac{1}{2}$ " x 3" bolt and lock nut. Tension belts and hold in place using the set screw in the outer rod.
- l) Bolt a guard plate #3 on the outside of both guards to cover the opening using $\frac{1}{4}$ " x $\frac{1}{2}$ " hex bolts, lock washers and hex nuts.
- m) The quick release on the motor mount #33 is used when starting the engine and to stop the auger without shutting off the engine.
- n) When belts, pulleys and idler are aligned, bolt the bottom edges of both guards together using $\frac{1}{4}$ " x $\frac{1}{2}$ " hex bolts, lock washers and hex nuts.

FARM KING CONVENTIONAL GRAIN AUGER ASSEMBLY INSTRUCTIONS – cont'd.**13. DIRECT DRIVE AUGERS:** Pages 31 & 32.

- a) Bolt the PTO holder #9 to the welded bracket on the tube using 3/8" x 1" hex bolts lock washers and hex nuts. A pin #7 holds the PTO in place during transport.
- b) Mount the PTO guard holder #14 to the welded ring on the gearbox plate using a 4" I.D. clamp #15 with 5/16" x 1 1/4" hex bolts, lock washers and hex nuts.
- c) Slide the flexible PTO guard #2 and the guard clamp #3 onto the PTO shaft. Attach the PTO shaft using a key (7" & 8" = 1/4"; 10" = 3/8"), set screws and clamp bolt. Securely tighten the set screws and clamp bolt. After mounting the PTO, clamp on the flexible PTO guard using a 5/16" x 1 1/4" hex bolt, lock washer and hex nut.

 **ALERT:****14. Re-check and tighten all bolts. Of particular importance are.**

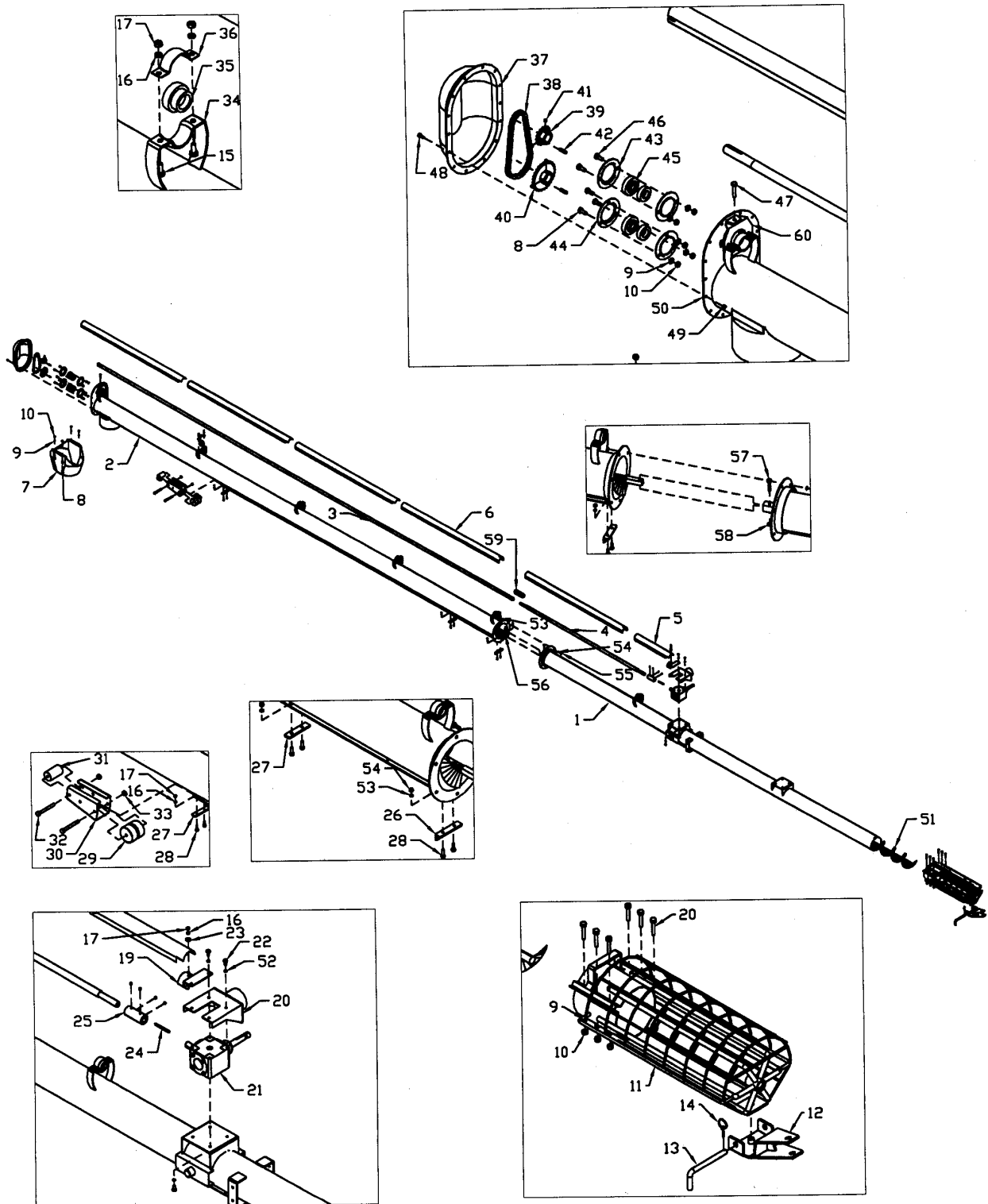
- 1) Cable clamps!!!
- 2) Bolts on track roller assembly.
- 3) Bolts on lift arm joining axle and extension tube.
- 4) Bolts joining undercarriage, cross tubes and axle.
- 5) Gearbox mounting bolts.
- 6) Pulley set screws.
- 7) All bolts on shields.
- 8) Wheel bolts.
- 9) Set screws and clamp bolts holding on PTO shaft.

- 15. NOTE:** 1) Gearbox is shipped without oil. Add oil as described in Section 2.
2) Do not exceed 600 RPM flighting speed when operating auger.
3) An external chain tightener is supplied with all augers.

 **ALERT:**

- 1) High position: it is dangerous to move auger in raised position in vicinity of electrical lines.
- 2) Keep all shields and guards in place.
- 3) Turn off power when servicing or unplugging auger.
- 4) Check that intake guard bolts are tight and that the swivel clevis pin has the hitch pin in place before transporting the auger.

7" & 8" x 36', 41', 46', 51'; 8" x 56' and 10" x 41' & 51' CONVENTIONAL AUGER
(2000 SERIES) TUBE ASSEMBLY



WHEN ORDERING PARTS

Always give your dealer the Model and Serial Number of your machine to assist him in ordering and obtaining the correct parts. Use the exploded view and tabular listing of the area of interest to exactly identify the required part.

**7" & 8" x 36', 41', 46', 51'; 8" x 56', & 10" x 41' & 51'
CONVENTIONAL AUGER (2000 SERIES) TUBE ASSEMBLY**

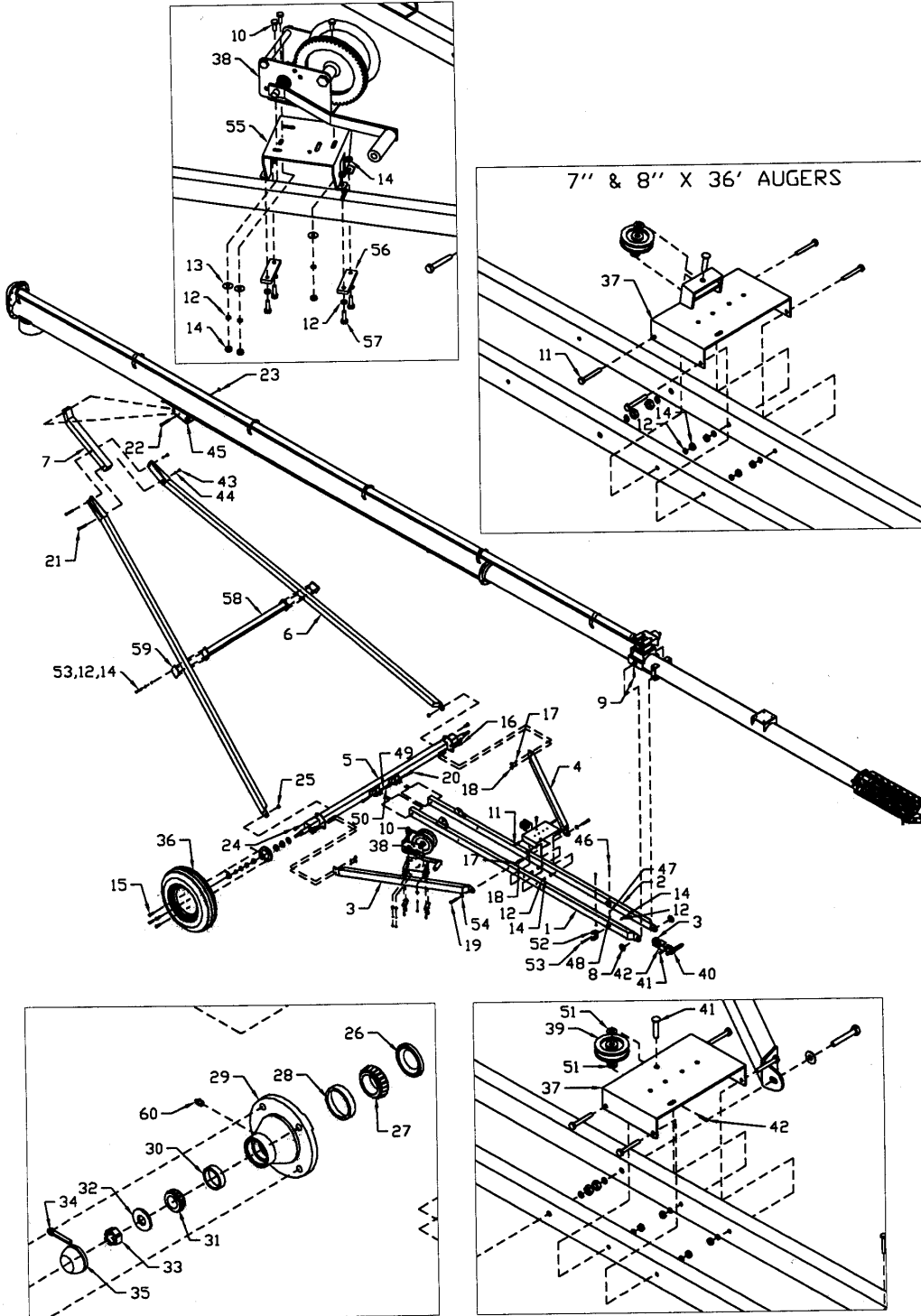
ITEM	PART #	DESCRIPTION
1	962075	7" x 36' BD Extension Tube 14' Long
	961388	7" x 41' BD Extension Tube 19' Long
	961389	7" x 46' BD Extension Tube 24' Long
	961390	7" x 51' BD Extension Tube 29' Long
	961391	8" x 36' Extension Tube 14' Long
	961392	8" x 41' BD Extension Tube 19' Long
	961393	8" x 41' DD Extension Tube 19' Long
	961394	8" x 46' BD Extension Tube 24' Long
	961395	8" x 46' DD Extension Tube 24' Long
	961396	8" x 51' BD Extension Tube 29' Long
	961397	8" x 51' DD Extension Tube 29' Long
	961398	8" x 56' Extension Tube 29' Long
	905382	10" x 41' BD Extension Tube 20' Long
	905381	10" x 41' DD Extension Tube 20' Long
	961110	10" x 51' BD Extension Tube 29' Long
	961111	10" x 51' DD Extension Tube 29' Long
	2	961112
961113		7" x 41' Basic Tube 22' Long
961114		7" x 46' & 51' Basic Tube 22' Long
961115		8" x 36' Basic Tube 22' Long
961116		8" x 41' Basic Tube 22' Long
961117		8" x 46' & 51' Basic Tube 22' Long
961118		8" x 56' Basic Tube 27' Long
905389		10" x 41' Basic Tube 20' Long
3	961120	10" x 51' Basic Tube 22' Long
	961732	7" & 8" x 36', 41', 46', 51' Basic Dr. Line 270" Lg
	961471	7" & 8" x 56' Basic Drive Line 330" Long
	961262	10" x 41' Basic Drive Line 246 1/8" Long
4	961121	10" x 51' Basic Drive Line 258 1/2" Long
	961122	7" & 8" x 36' Extension Drive Line 16 1/8" Long
	961123	7" & 8" x 41' BD Extension Drive Line 80 7/8"
	961836	8" x 41' DD Extension Drive Line 148 1/2"
	961840	7" & 8" x 46' BD Extension Drive Line 129 7/8"
	961837	8" x 46' DD Extension Drive Line 211 5/8"
	961841	7" & 8" x 51' BD Extension Drive Line 172 7/8"

	961838	8" x 51' & 56 DD Extension Drive Line 272"
	905384	10" x 41' BD Extension Drive Line 106 5/8"
	961066	10" x 41' DD Extension Drive Line 174 1/8"
	961124	10" x 51' BD Extension Drive Line 165 1/4"
	961125	10" x 51' DD Extension Drive Line 267 3/4"
5	961126	7" & 8" x 36' Extension Drive Line Shield 22 3/4"
	961127	7" & 8" x 41' BD Extension Drive Line Shield 23"
	961128	8" x 41' DD Extension Drive Line Shield 26 1/4"
	961129	7" & 8" x 46' BD Extension Drive Line Shield 8 1/8"
	961130	8" x 46' DD Extension Drive Line Shield 24 3/4"
	961131	7" & 8" x 51' BD Extension Drive Line Shield 51 1/4"
	961132	8" x 51' DD Extension Drive Line Shield 20 3/4"
	961133	8" x 56' Extension Drive Line Shield 12 1/2"
	905388	10" x 41' BD Extension Drive Line Shield 21 7/8"
	961135	10" x 41' DD Extension Drive Line Shield 41 7/8"
	961136	10" x 51' BD Extension Drive Line Shield 46 1/2"
	961137	10" x 51' DD Extension Drive Line Shield 20 1/8"
6	961848	7" & 8" Drive Line Shield 20ga x 6 3/4" x 66" (except 8" x 56')
	961469	8" x 56' Drive Line Shield 20ga x 6 3/4" x 54 1/2"
	961264	10" x 41' Drive Line Shield 20ga x 6 3/4" x 48 1/4"
	961848	10" x 51' Drive Line Shield 20ga x 6 3/4" x 66"
7	961339	10" Bolt On Spout
8	86170	3/8" x 1" Hex Bolt (pl)
9	81593	3/8" Lock Washer (pl) (8")
10	81592	3/8" Hex Nut (pl)
11	903557	7" Intake Guard Weldment
	903556	8" Intake Guard Weldment
	903558	10" Intake Guard Weldment
12	903248	Clevis Weldment (7" & 8")
	903294	Clevis Weldment (10")
13	903246	Clevis Pin 5/8" x 9" (7" & 8")
	903293	Clevis Pin 5/8" x 10 1/2" (7" & 8")
14	966729	3/16" Linch Pin
15	81549	5/16" x 3/4" Hex Bolt (pl)
16	81569	5/16" Lock Washer (pl)
17	81568	5/16" Hex Nut (pl)
18	811795	3/8" x 2" Hex Bolt (pl)
19	961345	Extension Shield Holder (7" & 8")
	961346	Drive Line Shield Holder (12ga) (10")
20	961347	Gearbox Plate 10ga x 7 1/2"
	961348	Gearbox Plate 10ga x 9 1/8"

21	961092	8" Gearbox
	BU50510	10" Gearbox
22	84072	3/8" x 3/4" Hex Bolt (pl) (7" & 8")
	81619	1/2" x 1" Hex Bolt (pl) (10")
23	81570	5/16" BS Flat Washer (pl)
24	961155	1/4" x 1/4" x 3 1/2" Key
25	961611	Gearbox Coupling 1 3/4" O.D. x 4" Long
26	961349	Cable Anchor 1/4" x 1" x 1" Angle (7" & 8")
	961350	Cable Anchor 1/4" x 1 1/2" x 1 1/2" Angle (10")
27	961351	Track Stop 1/4" x 1" x 4 1/4" Long (7" & 8")
	961352	Track Stop 1/4" x 1 1/2" x 5 1/2" Long (10")
28	812026	5/16" x 1" Hex Bolt (pl) (8")
	86170	3/8" x 1" Hex Bolt (pl) (10")
29	901758	Track Roller 3.35" O.D. x 3 1/2" Long (7" & 8")
	902364	Track Roller 3.35" O.D. x 4 1/2" Long (10")
30	961353	Track Roller Frame (10ga) (7" & 8")
	961354	Track Roller Frame (7ga) (10")
31	901759	Rear Track Roller 2" O.D. x 3 1/2" Long (7" & 8")
	902365	Rear Track Roller 2" O.D. x 4 1/2" Long (10")
32	811691	1/2" x 4 1/2" Hex Bolt (pl) (7" & 8")
	812087	5/8" x 6" Hex Bolt (pl) (10")
33	812364	1/2" Lock Nut (pl) (7" & 8")
	812482	5/8" Lock Nut (pl) (10")
34	961430	1 1/4" Bearing Stand (7" & 8")
	961989	1 3/8" Bearing Stand (10")
35	965818	1 1/4" Bearing (7" & 8")
	965917	1 3/8" Bearing (10")
36	961432	Bearing Holder Cap (7" & 8")
	961990	Bearing Holder Cap (10")
37	961097	Plastic End Cover (7" & 8")
	961098	Plastic End Cover (10")
38	961954	#60 Chain (42 Link) (8" BD)
	961860	#60 Chain (40 1/2 Link) (7" Augers)
	961691	#60 Chain (34 1/2 Link) (8" DD)
	961047	#80 Chain (40 Link) (10" BD)
	961181	#80 Chain (38 Link) (10" DD)
39	961684	15 Tooth Sprocket #60 (1 1/4" Bore) (7" & 8" Belt and Direct Drive)
	961041	15 Tooth Sprocket #80 (1 3/8" Bore) (10" BD)
	961998	20 Tooth Sprocket #80 (1 3/8" Bore) (10" DD)
40	961686	28 Tooth Sprocket #60 (1 1/4" Bore) (7" & 8" BD)
	961684	15 Tooth Sprocket #60 (1 1/4" Bore) (8" DD)
	961042	28 Tooth Sprocket #80 (1 3/8" Bore) (10" BD)

	961998	20 Tooth Sprocket #80 (1 3/8" Bore) (10" DD)
41	988999	3/8" x 3/8" Socket Set Screw
42	961602	1/4" Sq. x 1 1/4" Key (7" & 8")
	967041	5/16" x 5/16" x 1 1/2" Key (10")
43	961091	2-Hole 1 1/4" Bearing Flange
44	961675	3-Hole 1 1/4" Bearing Flange
45	961676	1 1/4" Bearing (7" & 8")
	965917	1 3/8" Bearing W/Collar (10")
46	81914	3/8" x 1" Carriage Bolt (br)
47	967291	3/8" x 2" Full Thread Bolt (pl)
48	967473	1/4" x 3/4" Flange Bolt (pl)
49	967474	1/4" Flange Hex Nut (pl)
50	961301	7" & 8" Auger End Plate
	961312	10" Auger End Plate
51	961963	7" x 14' Extension Auger Flighting
	961964	7" X 19' Extension Auger Flighting
	961965	7" X 24' Extension Auger Flighting
	961966	7" X 29' Extension Auger Flighting
	961270	8" X 14' Extension Auger Flighting
	961726	8" X 19' Extension Auger Flighting
	961727	8" X 24' Extension Auger Flighting
	961728	8" X 29' Extension Auger Flighting
	961255	10" X 22' Extension Auger Flighting
	961139	10" X 29' Extension Auger Flighting
52	81593	3/8" Lock Washer (pl) (7" & 8")
	81637	1/2" Lock Washer (pl) (10")
53	86170	3/8" x 1" Hex Bolt (pl) (7" & 8")
	81620	1/2" x 1 1/4" Hex Bolt (pl) (10")
54	81593	3/8" Lock Washer (pl) (7" & 8")
	81637	1/2" Lock Washer (pl) (10")
55	81592	3/8" Hex Nut (pl) (7" & 8")
	81636	1/2" Hex Nut (pl) (10")
56	961961	7" x 22' Basic Auger Flighting
	961725	8" x 22' Basic Auger Flighting
	961256	10" x 20' Basic Auger Flighting (10" X 41')
	962085	10" x 22' Basic Auger Flighting (10" X 51')
57	9812483	3/8" x 2" Hex Bolt Gr.8 (pl) (7" & 8")
	9812368	1/2 x 2 3/4" Hex Bolt Gr.8 (pl) (10")
58	812363	3/8" Lock Nut (pl) (7" & 8")
	812364	1/2" Lock Nut (pl) (10")
59	961648	1 5/16" Sq. x 5 1/2" Coupling (10" Only)
60	903435	Chain Tightener Bracket (7" & 8")
	903478	Chain Tightener Bracket (10")

7" & 8" x 36', 41', 46', 51'; 8" x 56' and 10" x 41' & 51' CONVENTIONAL AUGER (2000 SERIES) UNDERCARRIAGE, AXLE, LIFT ARM ASSEMBLY



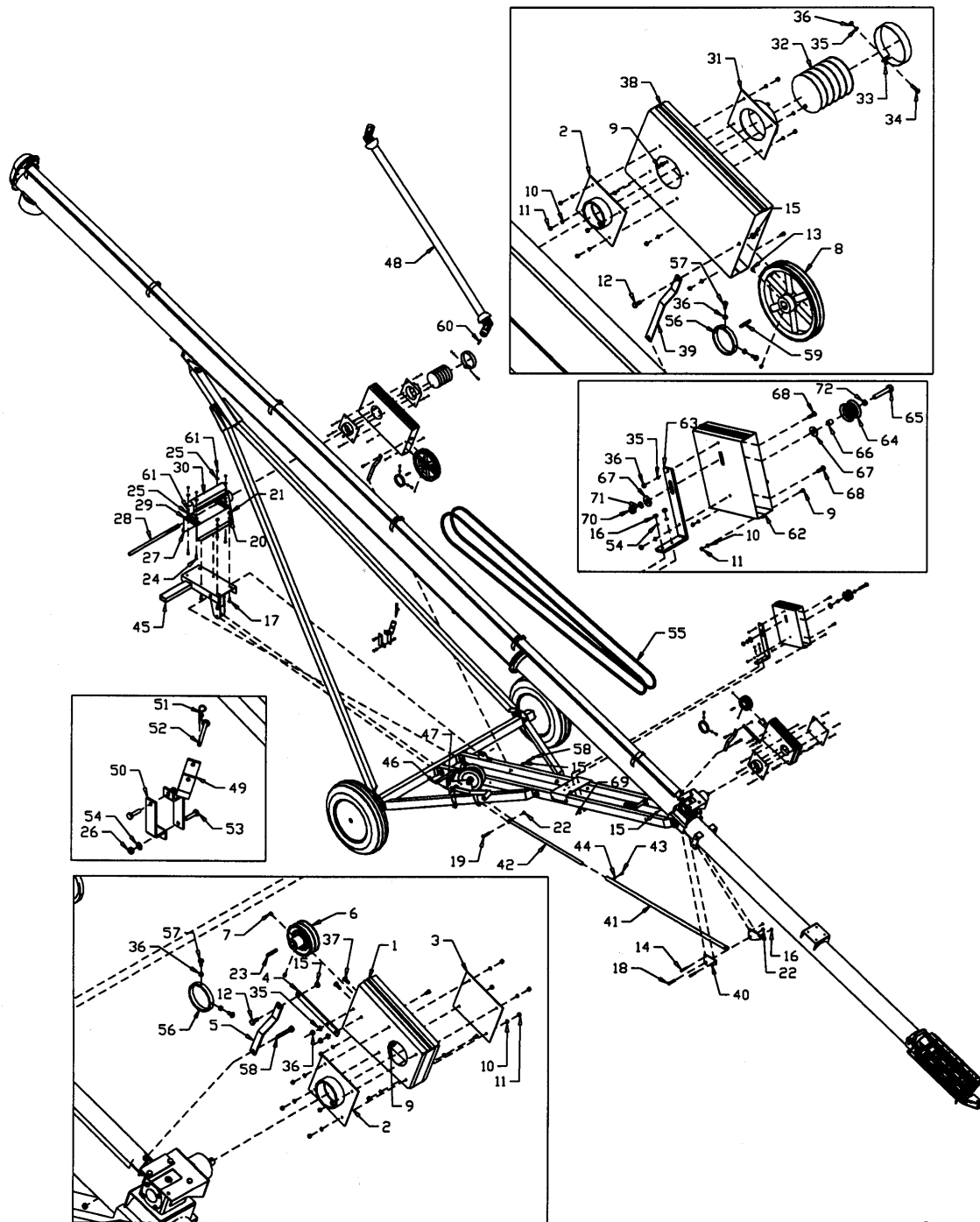
7" & 8" x 36', 41', 46', 51'; 8" x 56'; and 10" x 41' & 51' CONVENTIONAL AUGER (2000 SERIES) UNDERCARRIAGE, AXLE, LIFT ARM ASSEMBLY

ITEM	PART #	DESCRIPTION
1	905374	R.H. Undercarriage 102" (7" & 8" x 36')
	905377	R.H. Undercarriage 129 1/4" (7" & 8" x 41')
	961143	R.H. Undercarriage 142" (7" & 8" x 46')
	961144	R.H. Undercarriage 160" (7" & 8" x 51')
	961145	Undercarriage 165" (8" x 56')
	905380	R.H. Undercarriage 126" (10" x 41')
	961147	R.H. Undercarriage 154" (10" x 51')
2	905373	L.H. Undercarriage 102" (7" & 8" x 36')
	905376	L.H. Undercarriage 129 1/4" (7" & 8" x 41')
	961150	L.H. Undercarriage 142" (7" & 8" x 46')
	961151	L.H. Undercarriage 160" (7" & 8" x 51')
	905379	L.H. Undercarriage 126" (10" x 41')
	961481	L.H. Undercarriage 154" (10" x 51')
3	903404	R.H. Cross 39 1/4" (7" & 8" x 36')
	903405	R.H. Cross 53" (7" & 8" x 41')
	903406	R.H. Cross 59 1/4" (7" & 8" x 46' & 51')
	903526	R.H. Cross 72 3/8" (8" x 56')
	903407	R.H. Cross 49" (10" x 41')
	903408	R.H. Cross 63 3/4" (10" x 51')
4	961488	L.H. Cross 39 1/4" (7" & 8" x 36')
	961489	L.H. Cross 53" (7" & 8" x 41')
	961490	L.H. Cross 59 1/4" (7" & 8" x 46' & 51')
	961491	L.H. Cross 72 3/8" (8" x 56')
	961492	L.H. Cross 49" (10" x 41')
	961493	L.H. Cross 63 3/4" (10" x 51')
5	961494	Axle 3" x 3" x 72" (7" & 8" x 36')
	961495	Axle 3" x 3" x 83" (7" & 8" x 41')
	961496	Axle 3" x 3" x 92" (7" & 8" x 46' & 51')
	961497	Axle 3" x 3" x 111" (8" x 56')
	961498	Axle 3" x 3" x 83" (10" x 41')
	961499	Axle 3" x 3" x 107" (10" x 51')
6	961288	Lift Arm 2" x 3" x 120" (7" & 8" x 36')
	961289	Lift Arm 2" x 3" x 142" (7" & 8" x 41')
	961290	Lift Arm 2" x 3" x 174" (7" & 8" x 46')
	961291	Lift Arm 2" x 3" x 196" (7" & 8" x 51')
	961292	Lift Arm 2" x 3" x 212" (8" x 56')
	F9917	Lift Arm 3" x 3" x 156" (10" x 41')
	F9923	Lift Arm 3" x 3" x 196" (10" x 51')
7	961329	8" Lift Arm Extension

	961330	10" Lift Arm Extension
8	967135	1 1/2" Rim Washer (10ga) (pl)
9		5/16" x 2 1/4" Cotter Pin (pl)
10	86170	3/8" x 1" Hex Bolt (pl)
11	967488	3/8" x 2 3/4" Hex Bolt (pl)
12	81593	3/8" Lock Washer (pl)
13	84000	3/8" BS Flat Washer (pl)
14	81592	3/8" Hex Nut (pl)
15	968404	1/2" Wheel Bolt (pl)
16	84277	1/2" x 1 1/2" Hex Bolt (pl)
17	81637	1/2" Lock Washer (pl)
18	81636	1/2" Hex Nut (pl)
19	81627	1/2" x 3" Hex Bolt (pl)
20	81628	1/2" x 3 1/4" Hex Bolt (pl) (7" & 8")
21	811752	1/2" x 4" Hex Bolt (pl) (7" & 8")
	81672	5/8" x 4 1/2" Hex Bolt (pl) (10")
22	811691	1/2" x 4 1/2" Hex Bolt (pl) (7" & 8")
	812087	5/8" x 6" Hex Bolt (pl) (10")
23	812364	1/2" Lock Nut (pl) (7" & 8")
	812482	5/8" Lock Nut (pl) (10")
24	84268	5/8" x 1 1/2" Hex Bolt (pl) (7" & 8")
	81684	3/4" x 2 1/2" Hex Bolt (pl) (10")
25	812482	5/8" Lock Nut (pl) (7" & 8")
	812365	3/4" Lock Nut (pl) (10")
26	961891	Oil Seal (SE 11) (7" & 8")
	968430	Oil Seal (SE 14X) (10")
27	967712	Inner Cone (LM67048) (7" & 8")
	967208	Inner Bearing Cone (LM48548) (10")
28	967711	Inner Cup (LM67010) (7" & 8")
	968412	Inner Bearing Cup (LM48510)
29	105173	4-Bolt Hub (H411) (7" & 8")
	968403	5-Bolt Hub W/Bearing Cups (10")
30	968405	Outer Cup (LM11910) (7", 8", & 10")
31	968406	Outer Cone (LM11949) (7", 8", & 10")
32	9812416	3/4" S.A.E. Washer
33	81834	3/4" Crown Nut
34	981309	1/8" x 1 1/4" Cotter Pin
35	968409	Dust Cap (DC12)
36	F7110	15" x 4.5" x 4-Bolt Wheel (7" & 8")
	F0110	15" x 5" x 5-Bolt Wheel (10")
37	903538	Winch Mounting Plate (7" & 8" x 36')
	961296	Winch Mounting Plate (7" & 8" x 41', 46', & 51', 8" x 56')
	961297	Winch Mounting Plate (10" x 41' & 51')

38	961888	K1550 Winch (7" x 36' & 41')
	961945	K2550 Winch (8" x 36' & 56', 7"&8" x 46', 51') (8" X 41'; 10" X 41' & 51')
39	961846	4" Cast Cable Pulley
40	961333	Pulley Holder (7" & 8")
	961334	Pulley Holder (10")
41	961010	1/2" x 2 1/8" Clevis Pin (pl)
42	9812430	1/8" x 1" Clevis Pin (pl)
43	81636	1/2" Hex Nut (pl) (8")
	81676	5/8" Hex Nut (pl) (10")
44	81637	1/2" Lock Washer (pl) (8")
	81677	5/8" Lock Washer (pl) (10")
45	961385	Track Roller Assembly (8")
	961386	Track Roller Assembly (10")
46	810640	5/16" x 2" Hex Bolt (pl)
47	81569	5/16" Lock Washer (pl)
48	81568	5/16" Hex Nut (pl)
49	81637	1/2" Lock Washer (pl) (7" & 8")
	81677	5/8" Lock Washer (pl) (10")
50	81636	1/2" Hex Nut (pl) (7" & 8")
	81676	5/8" Hex Nut (pl) (10")
51	84048	1/2" S.A.E. Flat Washer (pl)
52	903392	Clevis Holder
53	81583	3/8" x 3" Hex Bolt (pl)
54	81638	1/2" B.S. Flat Washer (pl)
55	903401	Winch Bracket 8 1/4" x 19"
56	903402	Connector Plate 3/8" x 1 1/4" x 4 3/8"
57	81576	3/8" x 1 1/4" Hex Bolt
58	905154	X-Brace Weldment 2" x 3" x 44 1/2"
59	905152	X-Brace Plates 4" x 4 1/2"
60	84583	Grease Fitting 1/8" NPT STR

**7" & 8" x 36', 41', 46', 51'; and 10" x 41' & 51' CONVENTIONAL AUGER
(2000 SERIES) PTO BELT DRIVE ASSEMBLY**



CA-11

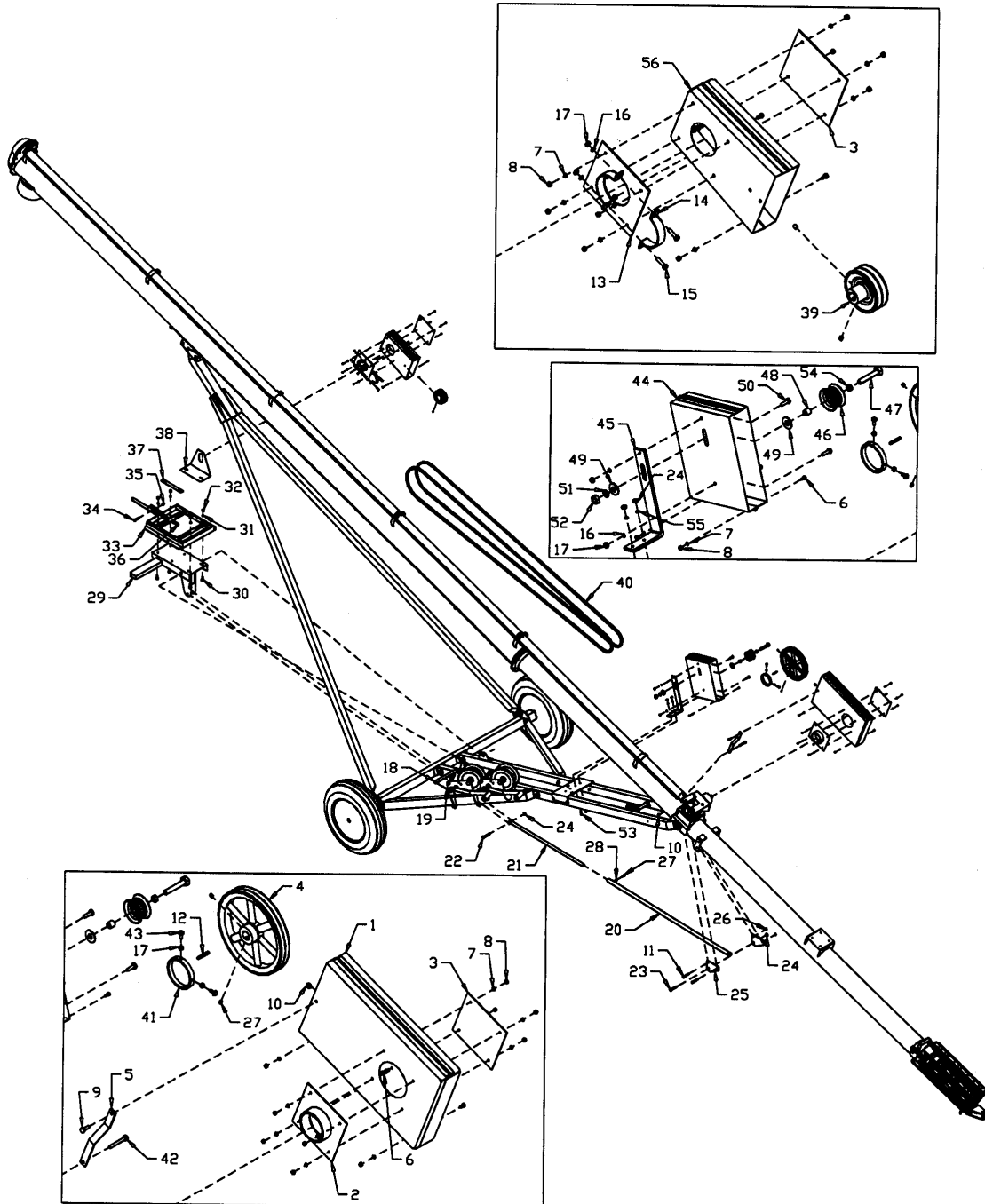
**7" & 8" x 36', 41', 46', 51'; 8" x 56', and 10" x 41' & 51' CONVENTIONAL AUGER
(2000 SERIES) PTO BELT DRIVE ASSEMBLY**

ITEM	PART #	DESCRIPTION
1	961355	6" Pulley Guard (7" & 8")
	961356	6" Pulley Guard (10")
2	961357	Guard Plate Weldment
3	961358	Guard Plate Weldment
4	961359	Guard Pivot Arm 9" Long
5	961360	Guard Pivot Arm 10 3/4" Long
6	966166	6" Double Pulley (1" Bore (7" & 8"))
	961074	6" Triple Pulley (1 1/2") (10")
7	9812377	5/16" X 3/4" Square Head Set Screw
8	961567	12" Double Pulley (1" Bore) (7" & 8")
	961004	12" Triple Pulley (1 1/4" Bore) (10")
9	81523	1/4" x 1/2" Hex Bolt (pl)
10	81545	1/4" Lock Washer (pl)
11	81544	1/4" Hex Nut (pl)
12	86170	3/8" x 1" Hex Bolt (pl)
13	81213	3/8" x 1" Square Head Set Screw
14	967488	3/8" x 2 3/4" Hex Bolt (pl) (7" & 8")
	81583	3/8" x 3" Hex Bolt (pl) (10")
15	812363	3/8" Lock Nut (pl)
16	81592	3/8" Hex Nut (pl)
17	81620	1/2" x 1 1/4" Hex Bolt (pl)
18	81626	1/2" x 2 3/4" Hex Bolt (pl) (7" & 8")
	81627	1/2" x 3" Hex Bolt (pl) (10")
19	81627	1/2" x 3" Hex Bolt (pl)
20	81637	1/2" Lock Washer (pl)
21	81636	1/2" Hex Nut (pl)
22	812364	1/2" Lock Nut (pl)
23	968811	1/4" x 1/4" x 2" Key (7" & 8")
	967044	3/8" x 3/8" x 3 3/8" Key (10")
24	81578	3/8" x 1 3/4" Hex Bolt (pl) (7" & 8")
	811791	1/2" x 2" Hex Bolt (pl) (10")
25	84000	3/8" Flat Washer (pl) (7" & 8")
	81638	1/2" Flat Washer (pl) (10")
26	81592	3/8" Hex Nut (pl)
27	961362	PTO Mount Weldment (7" & 8")
	961363	PTO Mount Weldment (10")
28	961364	PTO Arbor Shaft 1"Ø x 25" Long (7" & 8")
	961365	PTO Arbor Shaft 1 1/4"Ø x 25" Long (10")
29	961792	1" Pillow Bearing W/Collar (7" & 8")
	973223	1 1/4" Pillow Bearing W/Collar (10")

30	961366	20 Gauge x 16 3/16" Arbor Shaft Shield (7" & 8")
	961367	20 Gauge x 12 3/4" Arbor Shaft Shield (10")
31	961368	Guard Weldment 10ga x 8" x 8"
32	961201	Flexible Guard 6" O.D. x 6 1/2" Long
33	961200	Guard Clamp 16ga x 1 1/4" x 21 1/2" Long
34	81552	5/16" x 1 1/4" Hex Bolt (pl)
35	81569	5/16" Lock Washer (pl)
36	81568	5/16" Hex Nut (pl)
37	81549	5/16" x 3/4 Hex Bolt (pl)
38	961369	12" Pulley Guard (8")
	961370	12" Pulley Guard (10")
39	961371	Guard Pivot Arm 13 3/4" Long
40	961372	Belt Tghtnr Bracket 7ga x 4" x 6"
41	961298	Outr Tghtnr Tube 1 5/16" O.D. x 55"LG - (7" & 8" x 36')
	961299	Outer Tghtnr Tube 1 5/16"OD x 96"LG - (7", 8", & 10" x 41")
	961692	Outer Tghtnr Tube 1 5/16"OD x 111"LG - (7"&8"x46'&51',10"x51')
42	961693	Inner Tghtnr Tube 1" O.D. x 42"LG - (7", 8", & 10" x 41')
	961694	Inner Tghtnr Tube 1"OD x 57"LG - (7"& 8" x 46' & 51')
	961695	Inner Tghtnr Tube 1"OD x 48"LG (10" x 51')
43	81213	3/8" x 1" Square Head Set Screw
44	9812404	3/8" Hex Nut (br)
45	961375	Hanger Weldment (7" & 8")
	961376	Hanger Weldment (10")
46	961377	Hanger Swivel Shaft 1"Ø x 10 1/2" Long (7" & 8")
	961378	Hanger Swivel Shaft 1"Ø x 13" Long (10")
47	9812434	1/4" x 1 1/2" Cotter Pin (p)
48	F0055	PTO Shaft (7" & 8")
	F7242	PTO Shaft (10")
49	961379	PTO Holder Weldment (7" & 8")
	961380	PTO Holder Weldment (10")
50	961381	PTO Holder Bracket (7" & 8")
	961382	PTO Holder Bracket (10")
51	12780	#7 Hair Pin Clip
52	961539	PTO Holder Pin 3/8"Ø x 4 1/2" Long
53	811792	3/8" x 1 1/2" Hex Bolt (pl)
54	81593	3/8" Lock Washer (pl)

55	967912	B-201 V-Belt (7" & 8" x 36')
	961898	B-255 V-Belt (2/ 7" & 8" x 41' & 3/ 10" x 41')
	961002	B-287 V-Belt (7" & 8" x 46')
	961003	B-300 V-Belt (2/ 7" & 8" x 51' & 3/ 10" x 51')
56	961383	Guard Holder Ring 4 1/2" O.D. x 5/8" Long
57	9812377	5/16" x 3/4" Square Head Set Screw (pl)
58	967488	3/8" x 2 3/4" Hex Bolt (pl)
59	961384	1/4" x 1/4" x 3 3/8" Key (10")
	968811	1/4" x 1/4" x 2" Key (7" & 8")
60	968811	1/4" x 1/4" x 2" Key
61	81592	3/8" Hex Nut (pl) (7" & 8")
	81636	1/2" Hex Nut (pl) (10")
62	903427	Idler Guard (7" & 8")
	961696	Idler Guard (10")
63	961697	Idler Guard Arm (7 " & 8")
	903588	Idler Guard Arm (10")
64	961006	Idler Pulley (7" & 8")
	961001	Idler Pulley (10") (Single Flange)
65	81669	5/8" x 3 1/2" Hex Bolt (pl) (7" & 8")
	967911	1/2" x 5" Hex Bolt Gr.8 (pl) (10")
66	961698	Spacer .840" O.D. x .109"W x 3/4" Long (7" & 8")
	961699	Spacer .840" O.D. x .622" I.D. x 1/2" Long (10")
67	81678	5/8" Flat Washer (pl) (7" & 8")
	81638	1/2" Flat Washer (pl) (10")
68	812026	5/16" x 1" Hex Bolt (pl)
69	81576	3/8" x 1 1/4" Hex Bolt (pl)
70	81676	5/8" Hex Nut (pl) (7" & 8")
	81636	1/2" Hex Nut (pl) (10")
71	81677	5/8" Lock Washer (pl) (7" & 8")
	81637	1/2" Lock Washer (pl) (10")
72	962000	Spacer .84" O.D. x .622" I.D. x 3/8" Long

7" & 8" x 36', 41', 46', 51'; and 10" x 41' & 51' CONVENTIONAL AUGER
(2000 SERIES) ENGINE DRIVE ASSEMBLY



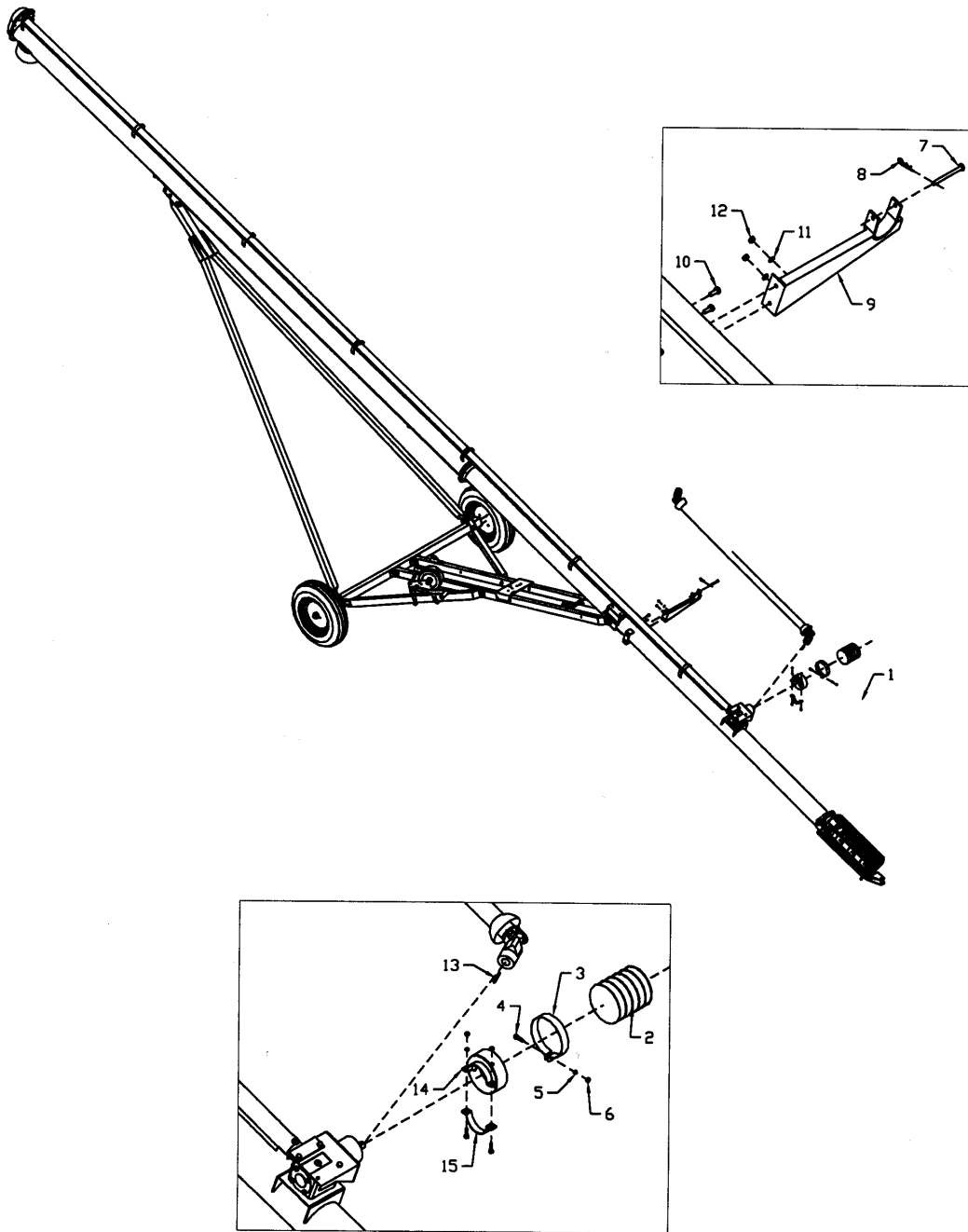
CA-12

**7" & 8" x 36', 41', 46', 51'; 8" x 56', and 10" x 41' & 51' CONVENTIONAL AUGER
(2000 SERIES) ENGINE BELT DRIVE ASSEMBLY**

ITEM	PART #	DESCRIPTION
1	961369	12" Guard (7" & 8")
	961370	12" Guard (10")
2	961357	Guard Plate Weldment
3	961358	Guard Plate
4	961567	12" Double Pulley (1" Bore) (7" & 8")
	961187	12" Triple Pulley (1 1/2" Bore) (10")
5	961360	Guard Pivot Arm 10 3/4" Long
6	81523	1/4" x 1/2" Hex Bolt (pl)
7	81545	1/4" Lock Washer (pl)
8	81544	1/4" Hex Nut (pl)
9	86170	3/8" x 1" Hex Bolt (pl)
10	812363	3/8" Lock Nut (pl)
11	967488	3/8" x 2 3/4" Hex Bolt (pl) (7" & 8")
	81583	3/8" x 3" Hex Bolt (pl)
12	968811	1/4" x 1/4" x 2" Key (7" & 8")
	967044	3/8" x 3/8" x 3 3/8" Key (10")
13	962066	Clamp Weldment
14	961896	Clamp (4" Clamp)
15	81552	5/16" x 1 1/4" Hex Bolt (pl)
16	81569	5/16" Lock Washer (pl)
17	81568	5/16" Hex Nut (pl)
18	961377	Hanger Swivel Shaft 1"Ø x 10 1/2" Long (7" & 8")
	961378	Hanger Swivel Shaft 1"Ø x 13" Long (10")
19	9812434	1/4" x 1 1/2" Cotter Pin (pl)
20	961298	Outr Tghtnr Tube 1 5/16" O.D. x 55" Long - (7" & 8" x 36')
	961299	Outr Tghtnr Tube 1 5/16" O.D. x 96" Long - (7", 8", & 10" x 41')
	961692	Outr Tghtnr Tube 1 5/16 O.D. x 111" Long - (7&8 x 46'&51' & 10"x51')
21	961693	Inner Tghtnr Tube 1" O.D. x 42" Long - (7", 8", & 10" x 41')
	961694	Inner Tghtnr Tube 1" O.D. x 57" Long - (7" & 8" x 46' & 51')
	961695	Inner Tghtnr Tube 1" O.D. x 48" Lg (10" x 51')
22	81627	1/2" x 3" Hex Bolt (pl)
23	81626	1/2" x 2 3/4" Hex Bolt (pl) (7" & 8")
	81627	1/2" x 3" Hex Bolt (pl) (10")
24	812364	1/2" Lock Nut (pl)
25	961372	Belt Tghtnr Bracket 7ga x 4" x 6"

26	81592	3/8" Hex Nut (pl)
27	81213	3/8" x 1" Square Head Set Screw
28	9812404	3/8" Hex Nut (br)
29	961375	Hanger Weldment (7" & 8")
	961376	Hanger Weldment (10")
30	81620	1/2" x 1 1/4" Hex Bolt (pl)
31	81637	1/2" Lock Washer (pl)
32	81636	1/2" Hex Nut (pl)
33	961972	Motor Mount Weldment
34	981601	7/16" x 2" Hex Bolt (pl)
35	86273	7/16" Lock Nut (pl)
36	961973	12" Adjusting Rod
37	961167	Motor Mount Guard Spacer 10" Long
38	961166	Guard Mount
39	F889	3 1/2" Double Pulley 1" Bore (7" & 8") 3 1/2" Triple Pulley (10") (By Customer)
40	967912	B-201 V-Belt (7" & 8" x 36')
	961898	B-255 V-Belt (27" & 8" x 41' & 3/10" x 41')
	961002	B-287 V-Belt (7" & 8" x 46')
	961003	B-300 V-Belt (2/7" & 8" x 51' & 3/10" x 51')
41	961383	Guard Holder Ring 4 1/2" O.D. x 5/8" Long
42	967488	3/8" x 2 3/4" Hex Bolt (pl)
43	9812377	5/16" x 3/4" Square Head Set Screw (pl)
44	903427	Idler Guard (7" & 8")
	961696	Idler Guard (10")
45	961697	Idler Guard Arm (7" & 8")
	903588	Idler Guard Arm (10")
46	961006	Idler Pulley (7" & 8")
	961001	Idler Pulley (10") (Single Flange)
47	81669	5/8" x 3 1/2" Hex Bolt (pl) (7" & 8")
	967911	1/2" x 5" Hex Bolt Gr.8 (pl) (10")
48	961698	Spacer .840" O.D. x .109"W x 3/4" Lg (7" & 8")
	961699	Spacer .840" O.D. x .622" I.D. x 1/2" Lg (10")
49	81678	5/8" Flat Washer (pl) (7" & 8")
	81638	1/2" Flat Washer (pl) (10")
50	812026	5/16" x 1" Hex Bolt (pl)
51	81677	5/8" Lock Washer (pl) (7" & 8")
	81637	1/2" Lock Washer (pl) (10")
52	81676	5/8" Hex Nut (pl) (7" & 8")
	81636	1/2" Hex Nut (pl) (10")
53	81576	3/8" x 1 1/4" Hex Bolt (pl)
54	962000	Spacer .84" O.D. x .622" I.D. x 3/8" Long (10") - Between Idler Halves
55	81593	3/8" Lock Washer (pl)
56	961355	6" Pulley Guard (7" & 8")
	961356	6" Pulley Guard (10")

7" & 8" x 36', 41', 46', 51'; 8" x 56' and 10" x 41' & 51' CONVENTIONAL AUGER
(2000 SERIES) DIRECT DRIVE ASSEMBLY

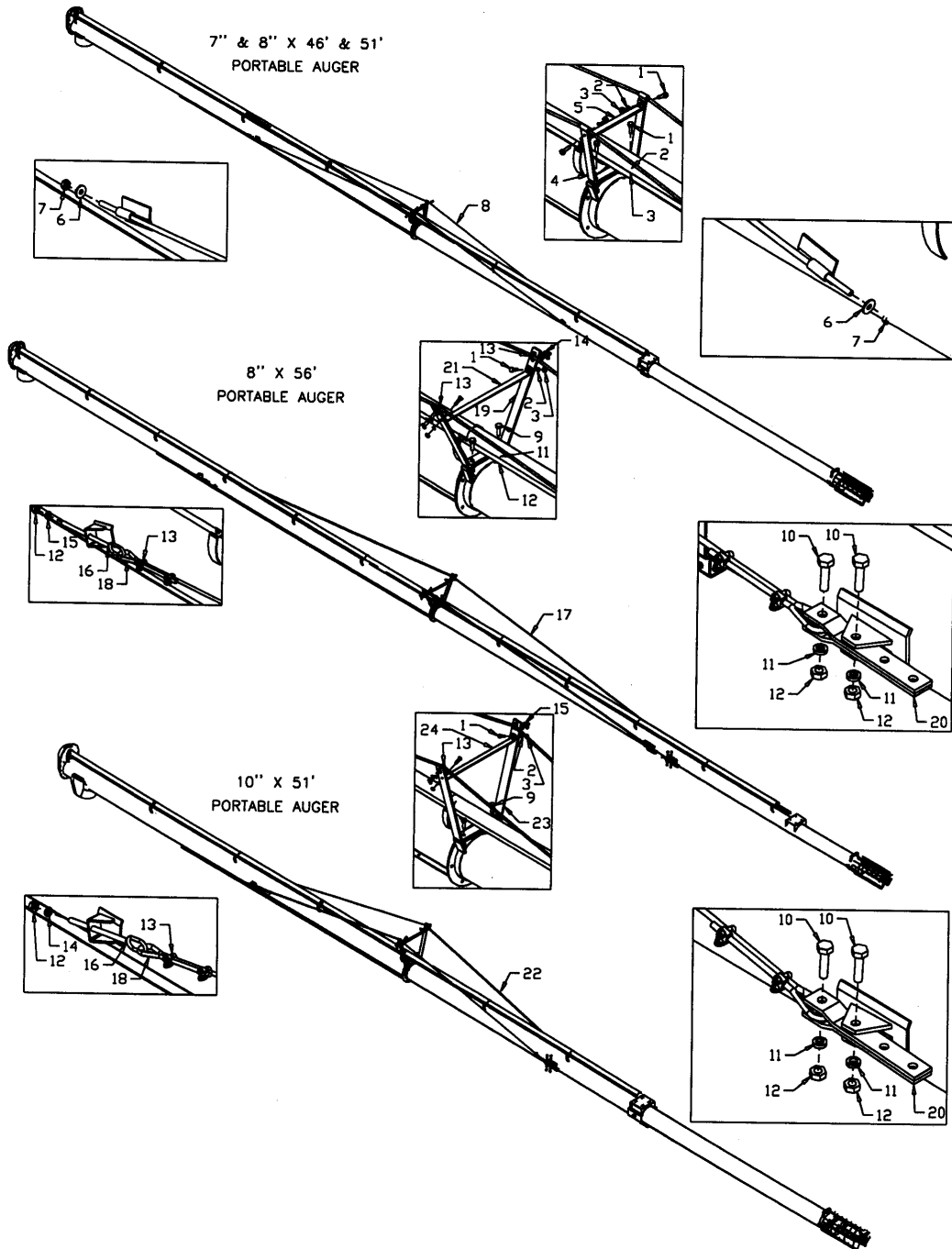


CA-13

**7" & 8" x 36', 41', 46', 51'; 8" x 56', and 10" x 41', & 51' CONVENTIONAL AUGER
(2000 SERIES) DIRECT DRIVE ASSEMBLY**

ITEM	PART#	DESCRIPTION
1	F0055	7" & 8" PTO Shaft
	F7240	10" PTO Shaft
2	961201	6" Plastic Tube 6 1/2" Long
3	961200	6 1/4" x 1 1/4" Guard Clamp
4	81552	5/16" x 1 1/4" Hex Bolt (pl)
5	81569	5/16" Lock Washer (pl)
6	81568	5/16" Hex Nut (pl)
7	961539	3/8" x 4 1/2" Pin
8	12780	#7 Hair Pin Clip
9	961790	PTO Hanger
10	86170	3/8" x 1" Hex Bolt (pl)
11	81593	3/8" Lock Washer (pl)
12	81592	3/8" Hex Nut (pl)
13	968811	1/4" x 1/4" x 2" Key (8")
	968807	3/8" x 3/8" x 2" Key (10")
14	961202	PTO Guard Holder W/4" I.D. Clamp
15	961896	Clamp 4" I.D.

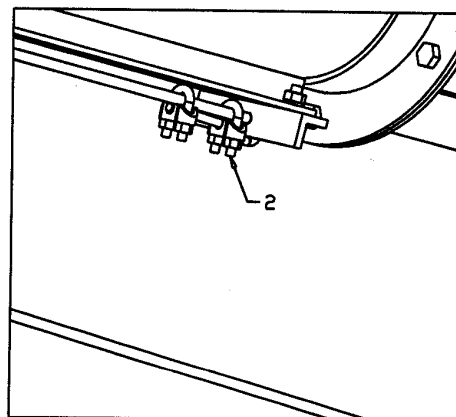
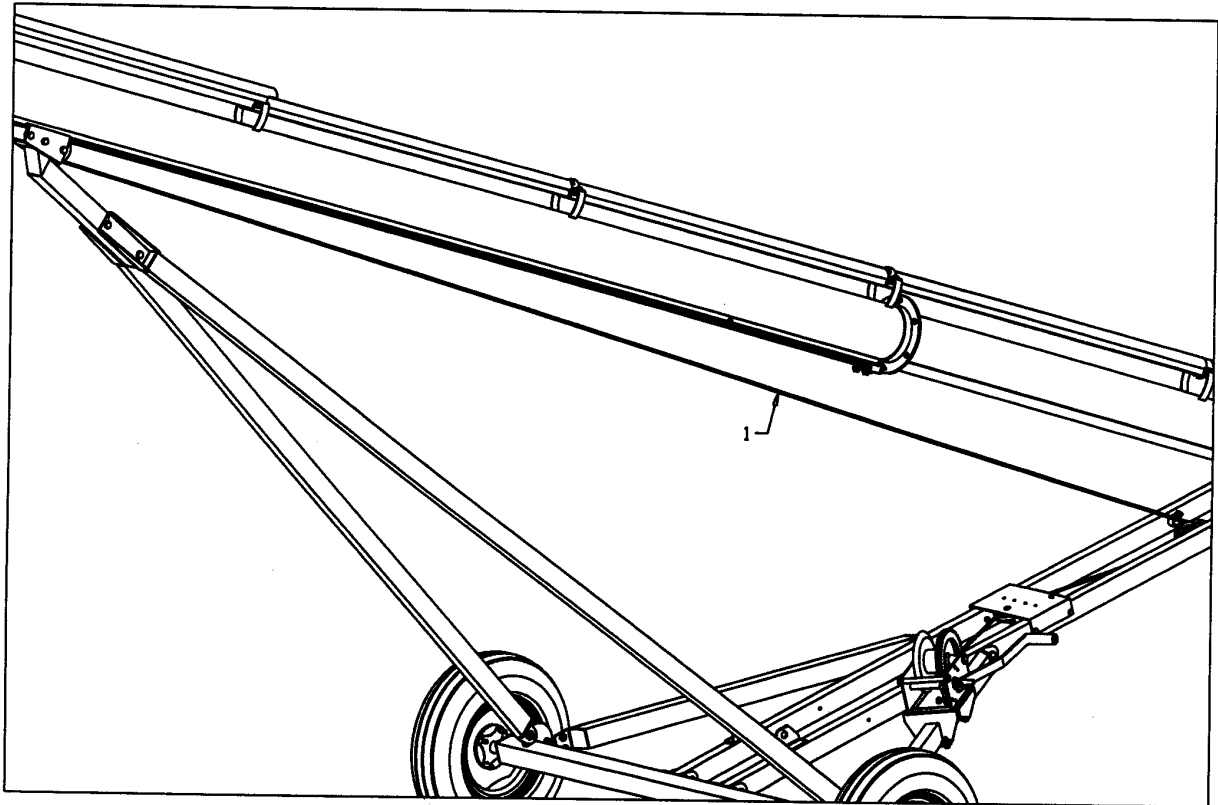
7" & 8" x 41' & 51'; 8" x 56' and 10" x 51' CONVENTIONAL AUGER
(2000 SERIES) BRIDGING ASSEMBLY



**7" & 8" x 46', 51'; 8" x 56', and 10" x 51' CONVENTIONAL AUGER
(2000 SERIES) BRIDGING ASSEMBLY**

ITEM	PART #	DESCRIPTION
1	81576	3/8" x 1 1/4" Hex Bolt (pl)
2	81593	3/8" Lock Washer (pl)
3	81592	3/8" Hex Nut (pl)
4	962010	Bridging Bracket Weldment
5	962011	Bridging Cross Brace
6	9812418	3/8" I.D. X 1" O.D. (B.S. Bare)
7	9812404	3/8" Hex Nut (br)
8	961786	3/8" x 20' Tie Rod
9	84277	1/2" x 1 1/2" Hex Bolt (pl)
10	811791	1/2" x 2" Hex Bolt (pl)
11	81637	1/2" Lock Washer (pl)
12	81636	1/2" Hex Nut (pl)
13	964264	3/8" Cable Clamps
14	964001	1" O.D. x .438" I.D. x 10ga Flat Washer (pl)
15	81638	1/2" B.S. Flat Washer (pl)
16	960031	Cable Tightener 1/2" x 8"
17	961473	Bridging Cable 3/8" x 31'-3 1/2" Long
18	964267	3/8" Thimble
19	F7027	Bridging Bracket (8" x 56')
20	960244	Cable Yoke 1/4" x 1 1/2" x 10"
21	961532	Bridging Tie Rod 3/16" x 1" x 20" Long
22	962012	3/8" x 20'-10" Cable
23	962013	Bridging Yoke (10" x 51')
24	962014	Bridging Tie Bar (10" x 51')

7" & 8" x 36', 41', 46' 51'; 8" x 56' and 10" x 41' & 51' CONVENTIONAL AUGER
(2000 SERIES) CABLE ASSEMBLY

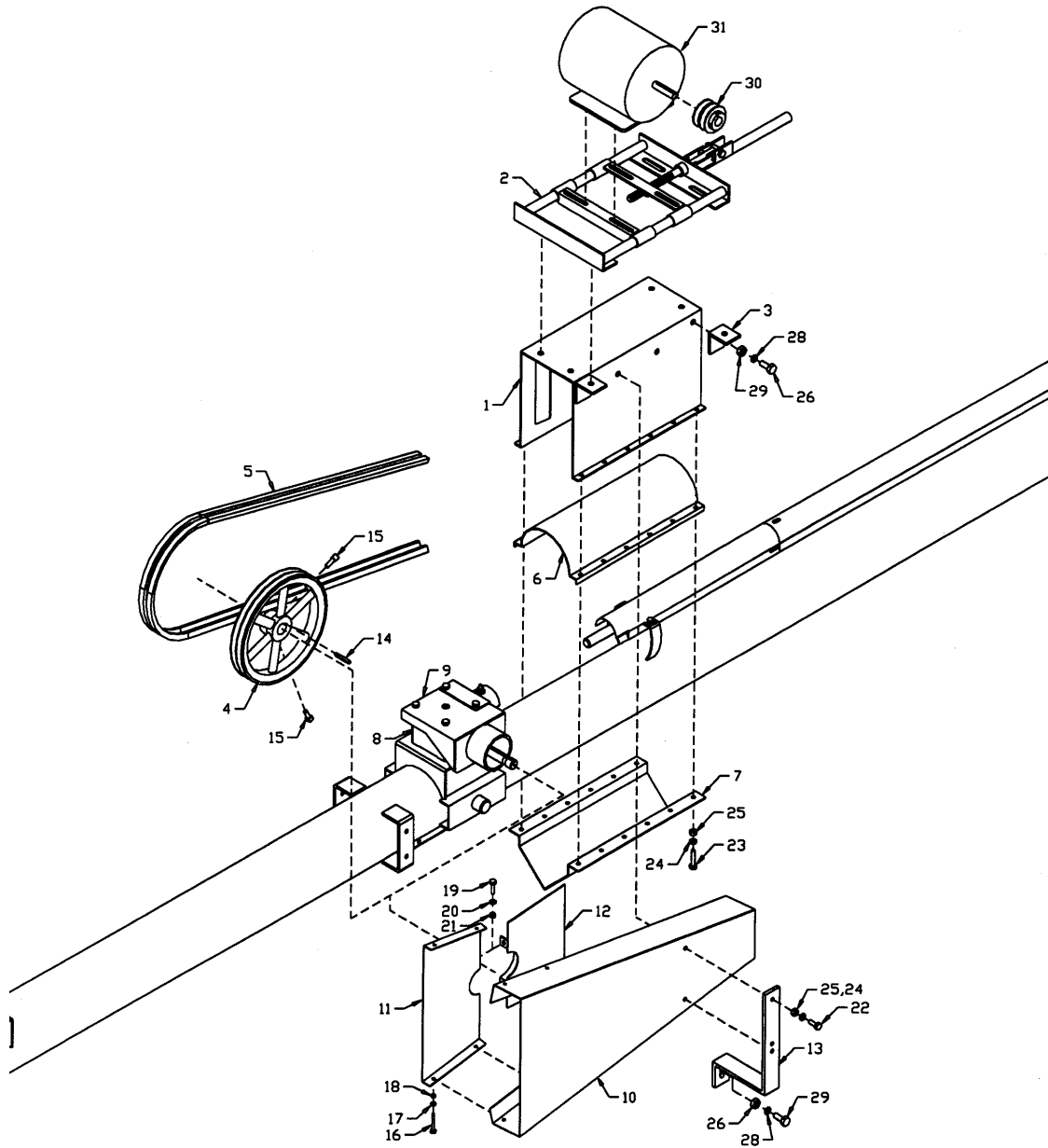


CA-15

**7" & 8" x 36', 41', 46', 51'; 8" x 56', and 10" x 41' & 51'
CONVENTIONAL AUGER (2000S) CABLE ASSEMBLY**

ITEM	PART #	DESCRIPTION
1	962076	1/4" Cable 32'-6" Long (7" x 36')
	962077	5/16" Cable 32'-6" Long (8" x 36')
	962078	1/4" Cable 46'-10" Long (7" x 41')
	962079	5/16" Cable 46'-10" Long (8" x 41')
	962080	5/16" Cable 49'-3" Long (7" & 8" x 46')
	962081	5/16" Cable 54'-3" Long (7" & 8" x 51')
	962082	5/16" Cable 58'-5 1/2" Long (8" x 56')
	962083	5/16" Cable 47'-10" Long (10" x 41')
	962084	5/16" Cable 55'-3" Long (10" x 51')
2	961658	1/4" Cable Clamp (7" x 36' & 41')
	961763	5/16" Cable Clamp

7", 8" and 10" AUGER CLAMP-ON MOTOR MOUNT



CA-16

7", 8" & 10" AUGER CLAMP-ON MOTOR MOUNT PARTS LIST

ITEM	PART #	DESCRIPTION
1	961195	7" Motor Mount stand
	961196	8" Motor Mount Stand
	961184	10" Motor Mount Stand

2	961185	Motor Mount Assembly
3	961186	Angle Iron
4	961567	12" Double Pulley 1" bore - 7" & 8" (Ex. 8" x 56')
	961478	12" Trpl Pulley 1"bore - 8" x 56'
	961080	12" Trpl Pulley 1 1/2" bore - 10"
5	973417	Set of two B-62 Belts - 7" & 8" (Ex. 8" x 56')
	973417	B-83 V-Belt (3 req'd.) - 10" & 8" x 56'
6	961457	7" Round Clamp
	961164	8" Round Clamp
	961191	10" Round Clamp
7	961458	7" V-Clamp
	961165	8" V-Clamp
	961192	10" V-Clamp
8	961092	7" & 8" Gearbox
	BU50510	10" Gearbox
9	961347	7" & 8" Gearbox Plate
	961348	10" Gearbox Plate
10	F1870	Belt Guard (33" long) - 7" & 8" (Ex. 8" x 56')
	F1871	Belt Guard (42 1/2" long) - 10" & 8" x 56'
11	961159	7" & 8" Bolt-on Guard Insert - Ex. 8" x 56'
	961157	10" & 8" x 56' Bolt-on Guard Insert
12	961160	7" & 8" Clamp-on Guard Insert - Ex. 8" x 56'
	961158	10" & 8" x 56' Clamp-on Guard Insert
13	904725	Guard Bracket (7") - 21 3/4"
	961162	Guard Bracket (8" & 10") - 21"
14	968811	1/4" sq. x 2" key - 7" & 8"
	968807	3/8" sq. x 2" key - 10"
15	81213	3/8" x 1" sq. hd. set screw
16	81525	1/4" x 3/4" Hex Bolt
17	81545	1/4" Lock Washer
18	81544	1/4" Hex Nut
19	81552	5/16" x 1 1/4" Hex Bolt
20	81569	5/16" Lock Washer
21	81568	5/16" Hex Nut
22	86170	3/8" x 1" Hex Bolt
23	81578	3/8" x 1 3/4" Hex Bolt
24	81593	3/8" Lock Washer
25	81592	3/8" Hex Nut
26	81620	1/2" x 1 1/4" Hex Bolt
27	81638	1/2" B.S. Flat Washer
28	81637	1/2" Lock Washer
29	81636	1/2" Hex Nut
*30		Motor Pulley (Supplied by customer)
*31		Electric Motor (Supplied by Customer)

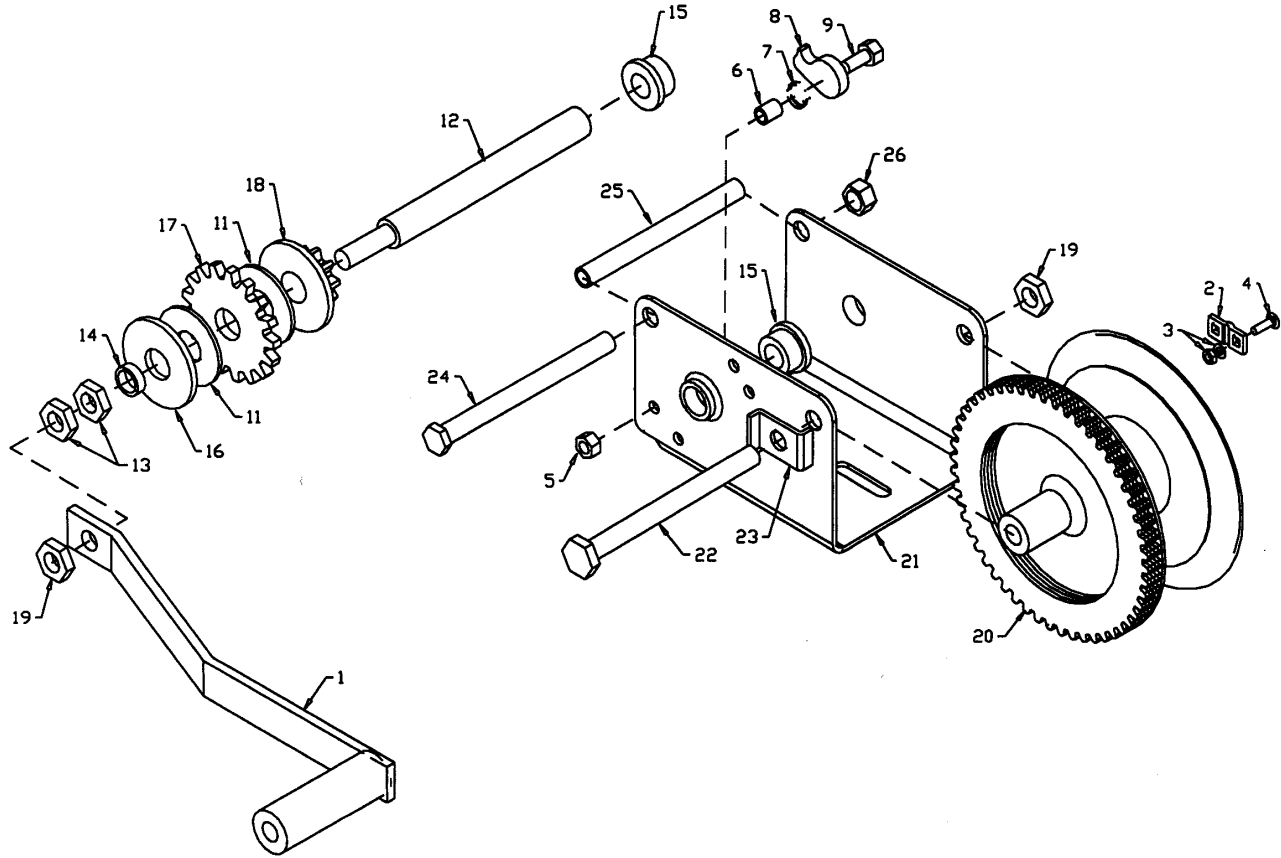
*SEE INSTRUCTIONS FOR CORRECT PULLEY AND MOTOR SIZES

7", 8" & 10" AUGER CLAMP-ON MOTOR MOUNT INSTRUCTIONS

1. The procedure for installing the kit is the same for belt drive or direct drive. Bolt the motor mount stand #1 and the two clamps #6 and #7 together on the tube with 3/8" x 1 3/4" hex bolts, lock washers and hex nuts. Bolt the two angle irons #3 to the side of the stand so they are flush with the top of the stand.
NOTE: The angle irons and the two extra holes on the side of the stand near the center must be on the same side as the guard.
2. Bolt the electric motor #31 to the motor mount and mount a pulley #30 (both supplied by customer). Use a double pulley for 7" and 8" augers (except 8" x 56') and a triple pulley for 10" and 8" x 56' augers. Do not tighten bolts until both pulleys are aligned. The electric motor must be 1725 rpm. **Motor sizes are:** 7" & 8" x 36' = 4 hp; 7" & 8" x 41' – 5hp; 7" & 8" x 46' – 7 1/2 hp; 7" & 8" x 51' – 10 hp/ 8" x 56' – 15 hp; 10" x 41' – 10hp; 10" x 51' – 15 hp. **Pulley sizes are:** Direct Drive – 3 1/2"; Belt Drive – 6"
3. Mount the 12" pulley on the gearbox using key and set screws supplied (double pulley for 7" & 8", except 8" x 56', and triple pulley for 10" & 8" x 56'). After aligning the two pulleys with the auger tube, tighten motor mount bolts and pulley set screws. Mount belts on the pulleys. The motor mount handle acts as a belt tightener.
4. Bolt the guard insert #11 to the belt guard #10 using 1/4" x 3/4" hex bolts, lock washers and hex nuts. The guard assembly is then clamped to the ring on the gearbox plate using clamp #12 and 5/16" x 1 1/4" hex bolts, lock washers and hex nuts. The other end of the guard is held on by a guard bracket #13 which bolts to the guard using 3/8" x 1" bolts and to the motor mount stand using a 1/2" x 1 1/4" bolt. Center the guard on the motor pulley before tightening bolts.

No. 1550 Winch

961888 - 7" x 36' & 41' AUGERS



CA-25

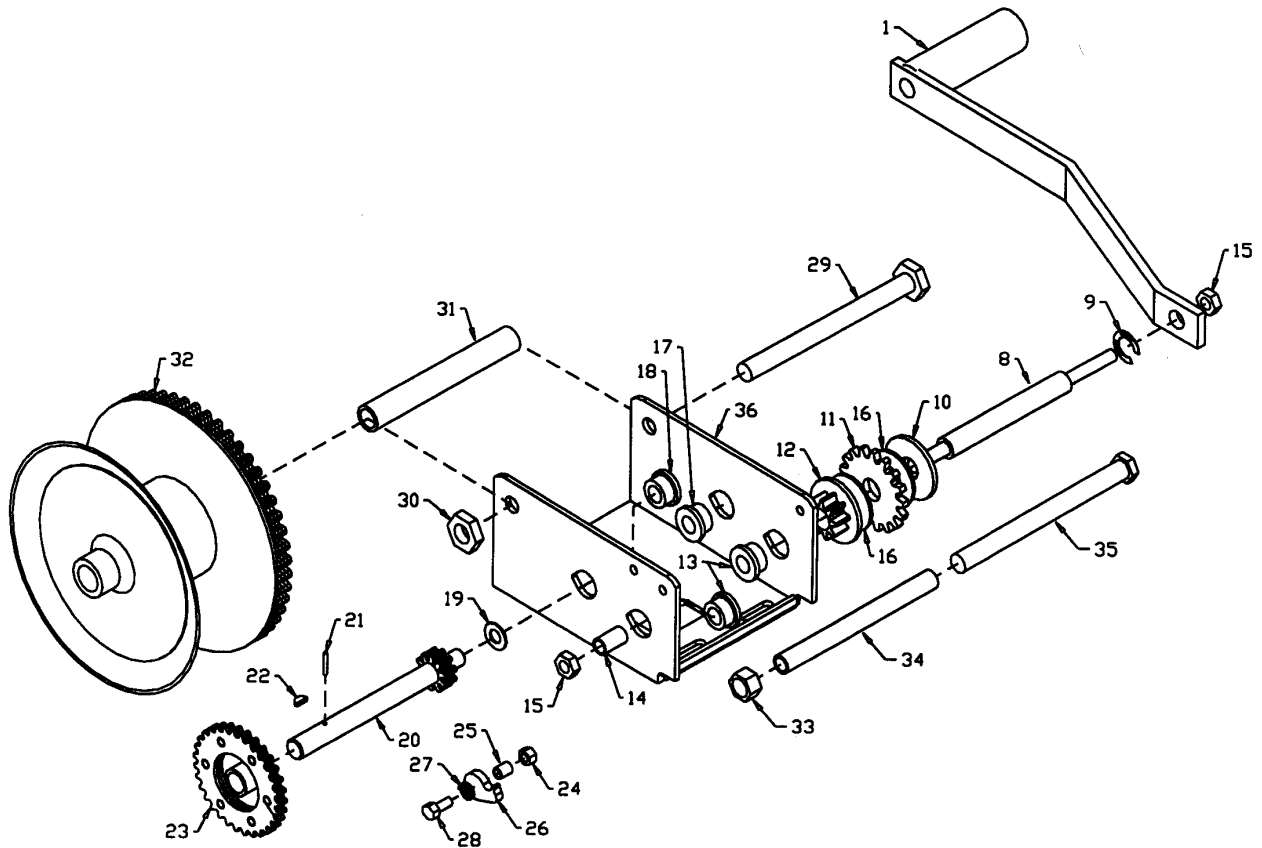
No. 1550 WINCH PARTS LIST

961888 – 7” x 36’ & 41’ AUGERS

ITEM	PART NAME	PART #
1	Handle Assembly	2461S01
CABLE KEEPER KIT		
2	Cable Clamp	5621S01
3	Lockwasher & Nut	
4	Carriage Bolt	
RATCHET KIT		
5	5/16" Lock Nut	6730S00
6	Ratchet Spacer	
7	Ratchet Spring	
8	Ratchet Pawl	
9	Shoulder Bolt	
11	Brake Disc Kit	1558S00
INPUT SHAFT KIT		
12	Input Shaft	1563S01
13	1/2" Lock Nut	
14	Spacer	
15	Bushing	
16	Shaft Brake Disc	
17	Ratchet Gear	
18	Pinion & Disc Assembly	
19	1/2" Lock Nut	*
20	Drum Assembly	*
21	Frame	*
22	1/2" x 5 3/4" Cap Screw	*
23	Drum Spacer	*
24	3/8" x 5 3/4" Cap Screw	*
25	Frame Spacer	*
26	3/8" Lock Nut	*
	* Not Available	

No. K2550 WINCH

961945 - 7" x 46' & 51'; 8" & 10" AUGERS

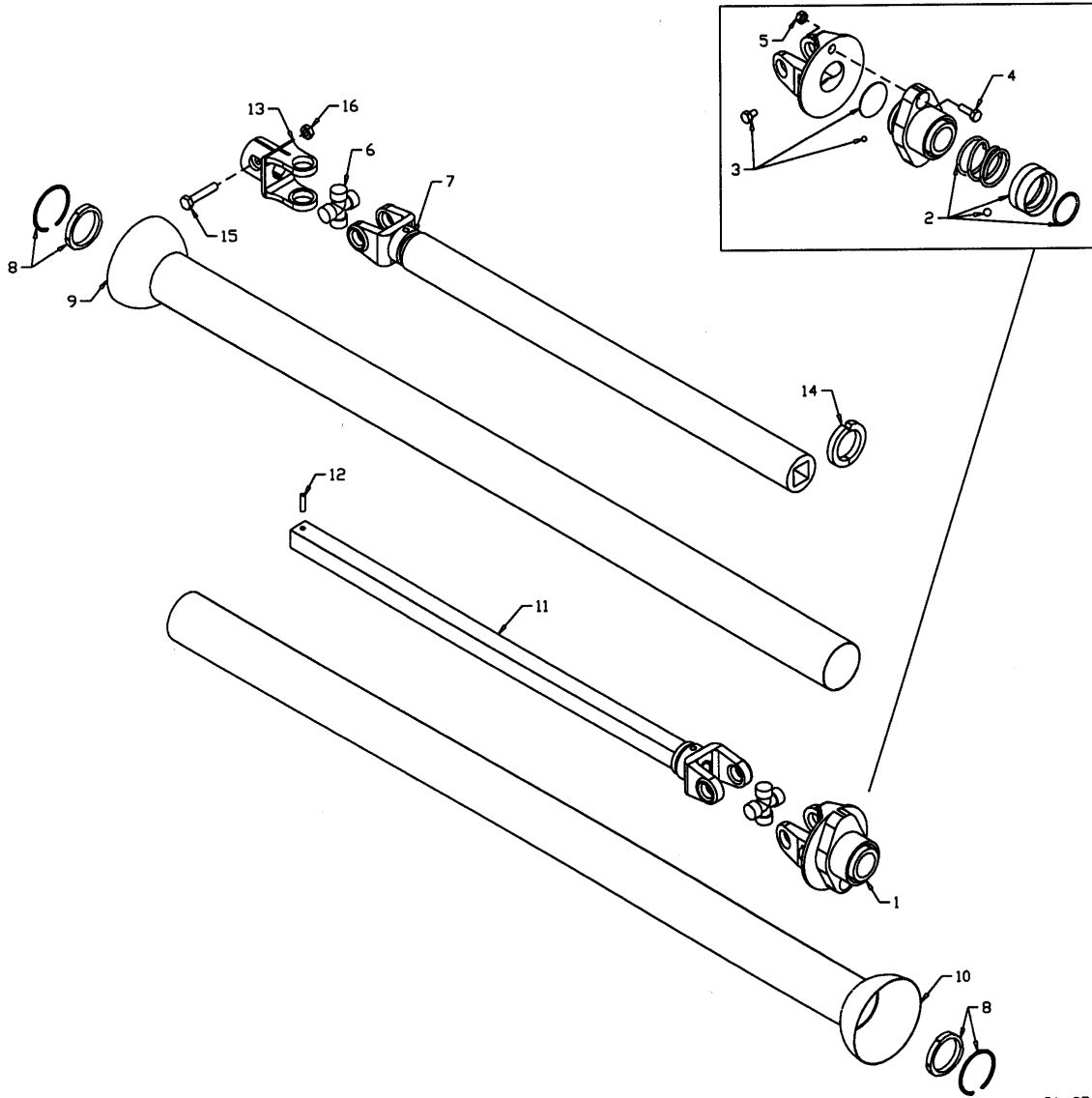


CA-26

NO. K2550 WINCH PARTS LIST – 961945 – 7” x 46’, 51’; 8” & 10” AUGERS

ITEM	DESCRIPTION	PART #
1	Handle	2461S01
CABLE KEEPER KIT		5621S01
4	Bolt	
5	Cable Clamp	
6	Lockwasher	
7	Nut	
INPUT SHAFT KIT		1565S01
8	Input Shaft	
9	Retaining Ring	
10	Brake Disc	
11	Ratchet Gear	
12	Pinion Gear	
13	Bushing	
14	Insert	
15	Spacer	
16	Nut	
17	Friction Disc	1578S00
INTERMEDIATE SHAFT KIT		1569S01
18	Bushing	
19	Insert	
20	Insert	
21	Bushing	
22	Washer	
23	Intermediate Shaft	
24	Roll Pin	
25	Woodruff Key	
26	Gear	
RATHCET KIT		6730S00
27	Nut	
28	Spacer	
29	Ratchet Pawl	
30	Spring	
31	Shoulder Bolt	
42	Drum Bolt	*
43	Lock Nut	*
44	Drum Spacer	*
45	Drum Assembly	*
46	Lock Nut	*
47	Frame Spacer	*
48	Bolt	*
49	Frame	*
	* NOT AVAILABLE	

7", 8" & 10" AUGER PTO



CA-27

7" & 8" Belt Drive & Direct Drive Auger PTO Assembly

Item #	Part #	Description
	F0055	Shaft Complete
	936306	Tractor Half of PTO (shear)
	936400	Implement Half of PTO
1	936308	Shear Assembly
2	936168	Spring-Lok Repair Kit - (Collar, Spring, Ret. Ring, 2 - 3/8" Balls)
3	936248	Shear Assembly Repair Kit - (3/8" x 1/2" Bolt, Blank, 24 - 1/4" Balls)
4	812026	5/16" x 1" Shear Bolt (Grade 5) - one required
5	812362	5/16" Lock Nut
6	936079	Repair Kit
7	936309	Yoke & Tube
8	936387	Bearing & Snap Ring Kit
9	936312	Inner Guard
10	936313	Outer Guard
11	936314	Yoke & Shaft
12	936315	1/4" x 1" Roll Pin
13	936374	Clamp Yoke
14	936316	Shield Bearing
15	811795	3/8" x 2" Hex Bolt
16	812363	3/8" Lock Nut

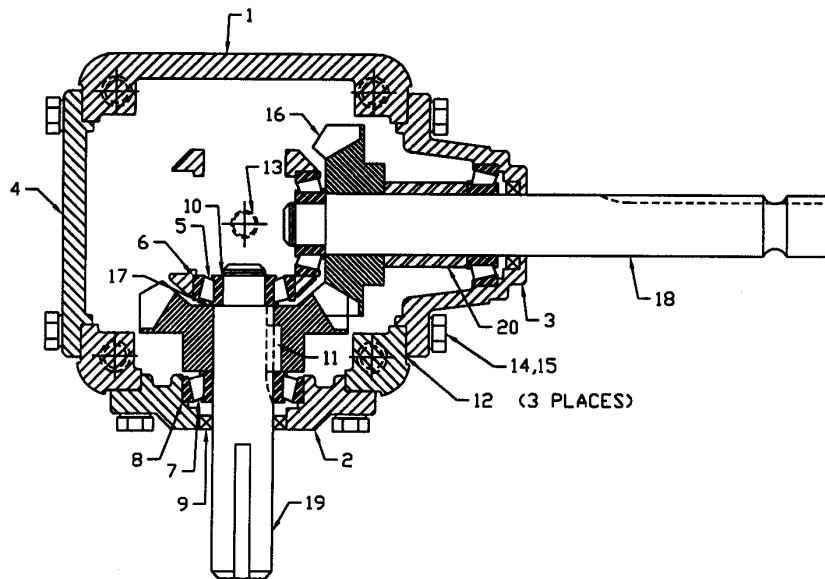
10" Belt Drive Auger PTO

Item #	Part #	Description
	F7242	Shaft Complete
	936322	Tractor Half of PTO (Shear)
	936503	Implement Half of PTO
1	936324	Shear Assembly
2	936168	Spring-Lok Repair Kit (Collar, Spring, Ret. Ring, 2 3/8" Balls)
3	936248	Shear Assembly Repair Kit (3/8" x 1/2" Bolt, Blank, 24 1/4" Balls)
4	86170	Shear Bolt - 3/8" x 1" (Gr.5)
5	812363	3/8" Lock Nut
6	936093	Repair Kit
7	936325	Yoke & Tube
8	936320	Nylon Bearing Repair Kit
10	936327	Inner Guard
11	936328	Outer Guard
12	936329	Yoke & Shaft
13	936315	Roll Pin (1/4" x 1")
14	936262	Clamp Yoke
15	936316	Shield Bearing
16	81628	1/2" x 3 1/4" Hex Bolt
17	812364	1/2" Lock Nut

10" Direct Drive Auger PTO Assembly

Item #	Part #	Description
	F7240	Shaft Complete
	936322	Tractor Half of PTO (shear)
	936393	Implement Half of PTO
1	936324	Shear Assembly
2	936168	Spring-Lok Repair Kit (Collar, Spring, Ret. Ring, 2 3/8" Balls)
3	936248	Shear Assembly Repair Kit (3/8" x 1/2" Bolt, (Grade 5) - one required
4	86170	3/8" x 1" Shear Bolt (Grade 5) - one required
5	812363	3/8" Lock Nut
6	936093	Repair Kit
7	936325	Yoke & Tube
8	936320	Nylon Bearing Repair Kit
9	936327	Inner Guard
10	936328	Outer Guard
11	936329	Yoke & Shaft
12	936315	1/4" x 1" Roll Pin
13	936376	Clamp Yoke
14	936316	Shield Bearing
15	81628	1/2" x 3 1/4" Hex Bolt
16	812364	1/2" Lock Nut

7" & 8" CONVENTIONAL AUGER GEARBOX

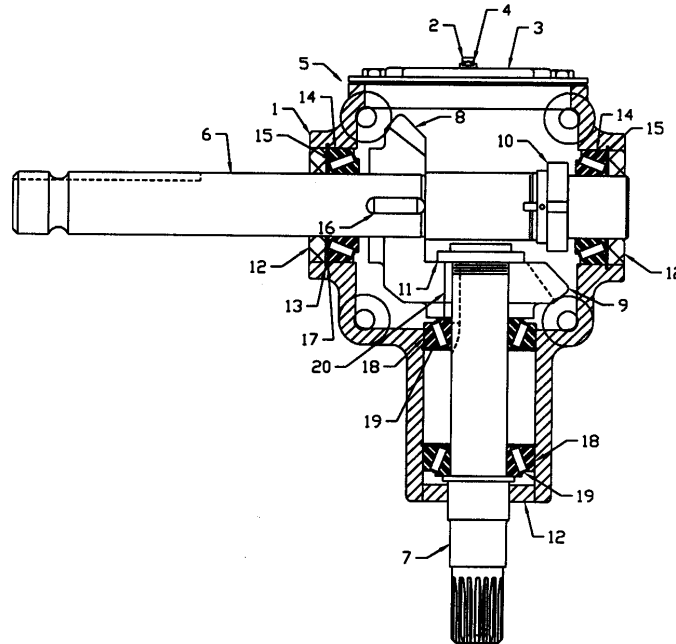


CA-28

7" & 8" x 36', 41', 46', 51', and 8" x 56' Conventional Auger Gearbox Assembly

Item	Part #	Description
	961092	Gearbox Complete
1	961315	Housing
2	961316	Bearing Cap
3	961317	Bearing Cap
4	961318	Cover Cap
5	93020	Bearing Cone (LM11749)
6	93019	Bearing Cup (LM11710)
7	966776	Bearing Cone (I44643)
8	966777	Bearing Cup (L44610)
9	961319	Seal (Nat. #470553)
10	961320	Retainer
11	961321	Key 1/4" sq. x 3/4" long
12	961322	Shim .005 A/R Shim .0075 A/R Shim .020 A/R
13	966784	Pipe Plug, 1/4" NPT
14	81549	5/16" x 3/4" Hex Bolt
15	81569	5/16" Lock Washer
16	961323	Gear, 90 degree Bevel, 19T
17	961324	Shim, Bearing Spacer
18	961325	Shaft
19	961326	Shaft
20	961327	Spacer Bearing

10" AUGER GEARBOX



CA-29

10" x 41' & 51' Gearbox Parts List

Item #	Part #	Description
	BU50510	Gearbox Complete
1	BU50310	Gearbox Casting Only
2	BU500089-3	Pipe Plug
3	BU50457	Gearbox Cover
4	BU500167-1	Breather Vent
5	BU50458	Gearbox Gasket
6	BU50509	Shaft
7	BU50502	Shaft
8	BU50329	Gear
9	BU50331	Gear
10	BU50428	Adjusting Nut
11	BU50444	Adjusting Nut
12	BU50422-1	Oil Seal (3 Used)
13	BU50415	Snap Ring (4 Used)
14	BU575902	Bearing Cup (2 Used)
15	BU575901	Bearing Cone (2 Used)
16	BU50429	Key
17	BU50210X	Shim Set
18	BU575907	Bearing Cup (2 Used)
19	BU575906	Bearing Cone (2 Used)
20	BU50417-1	Key

7" AUGERS – SHIPPING BUNDLES

7" x 36' DOUBLE BELT ENGINE DRIVE AUGERS: C736E

QUANTITY REQUIRED	BUNDLE NUMBER	DESCRIPTION
1	F7708	Basic Auger, 7" x 22'
1	F7709	Extension Auger, 7" x 14'
1	F8877	Crate of Parts
1	F8818	Undercarriage & Axle
1	F8823	Lift Arms & Tube

7" x 41' DOUBLE BELT ENGINE DRIVE AUGERS: C741E

1	F7700	Basic Auger, 7" x 22'
1	F7701	Extension Auger, 7" x 19'
1	F8862	Crate of Parts
1	F7722	Undercarriage & Axle
1	F7705	Lift Arms & Tube
1	F8860	Outer Level Tube, 96"

7" x 46' DOUBLE BELT ENGINE DRIVE AUGERS: C746E

1	F7710	Basic Auger, 7" x 22'
1	F7711	Extension Auger, 7" x 24'
1	F8886	Crate of Parts
1	F8819	Undercarriage & Axle
1	F8824	Lift Arms & Tube
1	F8861	Outer Level Tube, 111"

7" x 51' DOUBLE BELT ENGINE DRIVE AUGERS: C751E

1	F7710	Basic Auger, 7" x 22'
1	F7712	Extension Auger, 7" x 29'
1	F8891	Crate of Parts
1	F8820	Undercarriage & Axle
1	F8825	Lift Arms & Tube
1	F8861	Outer Level Tube, 111"

7" AUGERS – SHIPPING BUNDLES – cont'd.

7" x 36' BELT-DRIVE PTO AUGERS: C736P

QUANTITY REQUIRED	BUNDLE NUMBER	DESCRIPTION
1	F7708	Basic Auger, 7" x 22'
1	F7709	Extension Auger, 7" x 14'
1	F8912	Crate of Parts
1	F8818	Undercarriage & Axle
1	F8823	Lift Arms & Tube

7" x 41' BELT-DRIVE PTO AUGERS: C741P

1	F7700	Basic Auger, 7" x 22'
1	F7701	Extension Auger, 7" x 19'
1	F7722	Undercarriage & Axle
1	F7705	Lift Arms & Tube
1	F8881	Crate of Parts
1	F8860	Outer Level Tube, 96"

7" x 46' BELT-DRIVE PTO AUGERS: C746P

1	F7710	Basic Auger, 7" x 22'
1	F7711	Extension Auger, 7" x 24'
1	F8887	Crate of Parts
1	F8819	Undercarriage & Axle
1	F8824	Lift Arms & Tube
1	F8861	Outer Level Tube, 111"

7" x 51' BELT-DRIVE PTO AUGERS: C751P

1	F7710	Basic Auger, 7" x 22'
1	F7712	Extension Auger, 7" x 29'
1	F8892	Crate of Parts
1	F8820	Undercarriage & Axle
1	F8825	Lift Arms & Tube
1	F8861	Outer Level Tube, 111"

8" AUGERS – SHIPPING BUNDLES

8" x 36' DOUBLE BELT ENGINE DRIVE AUGERS: C836E

QUANTITY REQUIRED	BUNDLE NUMBER	DESCRIPTION
1	F8802	Basic Auger, 8" x 22'
1	F8803	Extension Auger, 8" x 14'
1	F8818	Undercarriage & Axle
1	F8823	Lift Arms & Tube
1	F8878	Crate of Parts

8" x 41' DOUBLE BELT ENGINE DRIVE AUGERS: C841E

1	F7722	Undercarriage & Axle
1	F7705	Lift Arms & Tube
1	F8805	Basic Auger, 8" x 22'
1	F8807	Extension Auger, 8" x 19'
1	F8883	Crate of Parts
1	F8860	Outer Level Tube, 96"

8" x 46' DOUBLE BELT ENGINE DRIVE AUGERS: C846E

1	F8809	Basic Auger, 8" x 22'
1	F8811	Extension Auger, 8" x 24'
1	F8819	Undercarriage & Axle
1	F8824	Lift Arms & Tube
1	F8889	Crate of Parts
1	F8861	Outer Level Tube, 111"

8" x 51' DOUBLE BELT ENGINE DRIVE AUGERS: C851E

1	F8809	Basic Auger, 8" x 22'
1	F8813	Extension Auger, 8" x 29'
1	F8820	Undercarriage & Axle
1	F8825	Lift Arms & Tube
1	F8895	Crate of Parts
1	F8861	Outer Level Tube, 111"

8" x 36' BELT-DRIVE PTO AUGERS: C836P

1	F8802	Basic Auger, 8" x 22'
1	F8803	Extension Auger, 8" x 14'
1	F8818	Undercarriage & Axle
1	F8823	Lift Arms
1	F8879	Crate of Parts

8" AUGERS – SHIPPING BUNDLES – cont'd.

8" x 41' BELT-DRIVE PTO AUGERS: C841P

QUANTITY REQUIRED	BUNDLE NUMBER	DESCRIPTION
1	F7722	Undercarriage & Axle
1	F7705	Lift Arms & Tube
1	F8805	Basic Auger, 8" x 22'
1	F8807	Extension Auger, 8" x 19'
1	F8884	Crate of Parts
1	F8860	Outer Level Tube, 96"

8" x 46' BELT-DRIVE PTO AUGERS: C846P

1	F8809	Basic Auger, 8" x 22'
1	F8811	Extension Auger, 8" x 24'
1	F8819	Undercarriage & Axle
1	F8824	Lift Arms & Tube
1	F8888	Crate of Parts
1	F8861	Outer Level Tube, 111"

8" x 51' BELT-DRIVE PTO AUGERS: C851P

1	F8809	Basic Auger, 8" x 22'
1	F8813	Extension Auger, 8" x 29'
1	F8820	Undercarriage & Axle
1	F8825	Lift Arms & Tube
1	F8894	Crate of Parts
1	F8861	Outer Level Tube 111"

8" x 36' DIRECT DRIVE PTO AUGERS: C836D

1	F8803	Extension Auger, 8" x 22'
1	F8804	Basic Auger, 8" x 14'
1	F8818	Undercarriage & Axle
1	F8823	Lift Arms
1	F8880	Crate of Parts

8" x 41' DIRECT DRIVE PTO AUGERS: C841D

1	F7722	Undercarriage & Axle
1	F7705	Lift Arms & Tube
1	F8806	Basic Auger, 8" x 22'
1	F8808	Extension Auger, 8" x 19'
1	F8885	Crate of Parts

8" AUGERS – SHIPPING BUNDLES – cont'd.**8" x 46' DIRECT DRIVE PTO AUGERS: C846D**

QUANTITY REQUIRED	BUNDLE NUMBER	DESCRIPTION
1	F8810	Basic Auger, 8" x 22'
1	F8812	Extension Auger, 8" x 24'
1	F8819	Undercarriage & Axle
1	F8824	Lift Arms & Tube
1	F8890	Crate of Parts

8" x 51' DIRECT DRIVE PTO AUGERS: C851D

1	F8810	Basic Auger, 8" x 22'
1	F8814	Extension Auger, 8" x 29'
1	F8820	Undercarriage & Axle
1	F8825	Lift Arms & Tube
1	F8893	Crate of Parts

8" x 56' DIRECT DRIVE PTO AUGERS: C856D

1	F8815	Basic Auger, 8" x 27'
1	F8816	Extension Auger, 8" x 29'
1	F8821	Undercarriage & Axle
1	F8826	Lift Arms & Tube
1	F8896	Crate of Parts

10" AUGERS – SHIPPING BUNDLES

10" x 41' TRIPLE BELT ENGINE DRIVE AUGERS: C1041E

QUANTITY REQUIRED	BUNDLE NUMBER	DESCRIPTION
1	F9902	Bottom Section
1	F9904	Top Section
1	F9916	Undercarriage & Axle
2	F9917	Lift Arms
1	F9946	Crate of Parts
1	F8860	Outer Level Tube , 96"

10" x 51' TRIPLE BELT ENGINE DRIVE AUGERS: C1051E

1	F9906	Bottom Section
1	F9908	Top Section
1	F9922	Undercarriage & Axle
2	F9923	Lift Arms
1	F9924	Axle
1	F9948	Crate of Parts
1	F8861	Outer Level Tube, 111"

10" x 41' BELT-DRIVE PTO AUGERS: C1041P

1	F9902	Bottom Section
1	F9904	Top Section
1	F9916	Undercarriage & Axle
2	F9917	Lift Arms
1	F9945	Crate of parts
1	F8860	Outer Level Tube, 96"

10" x 51' BELT-DRIVE PTO AUGERS: C1051P

1	F9906	Bottom Section
1	F9908	Top Section
1	F9922	Undercarriage Arms
2	F9923	Lift Arms
1	F9924	Axle
1	F9949	Crate of Parts
1	F8861	Outer Level Tube, 111'

10" AUGERS – SHIPPING BUNDLES – cont'd.**10" x 41' DIRECT DRIVE PTO AUGERS: C1041D**

QUANTITY REQUIRED	BUNDLE NUMBER	DESCRIPTION
1	F9903	Bottom Section
1	F9905	Top Section
1	F9916	Undercarriage & Axle
2	F9917	Lift Arms
1	F9944	Crate of Parts

10" x 51' DIRECT DRIVE PTO AUGERS: C1051D

1	F9907	Bottom Section
1	F9909	Top Section
1	F9922	Undercarriage Arms
2	F9923	Lift Arms
1	F9924	Axle
1	F9947	Crate of Parts

CLAMP-ON MOTOR MOUNT KITS**7" AUGER CLAMP-ON MOTOR MOUNT KIT: Y0063**

QUANTITY REQUIRED	BUNDLE NUMBER	DESCRIPTION
1	F1862	7" Clamp on Motor Mount Bundle
1	F1866	Carton of Parts
1	F1870	Belt Guard

8" AUGER CLAMP-ON MOTOR MOUNT KIT (EXCEPT 8" x 56'): Y0064

1	F1861	8" Clamp on Motor Mount Bundle
1	F1867	Carton of Parts
1	F1870	Belt Guard

8" x 56' AUGER CLAMP-ON MOTOR MOUNT KIT: Y0065

1	F1861	8" Clamp on Motor Mount Bundle
1	F1868	Carton of Parts
1	F1871	Belt Guard

10" AUGER CLAMP-ON MOTOR MOUNT KIT: Y0067

1	F1869	Carton of Parts
1	F1871	Belt Guard
1	F9508	10" Clamp on Motor Mount Bundle