



**ROVIBEC**  
AGRI SOLUTIONS

© 2016 – Rovibec Agrisolutions Inc. – All rights reserved

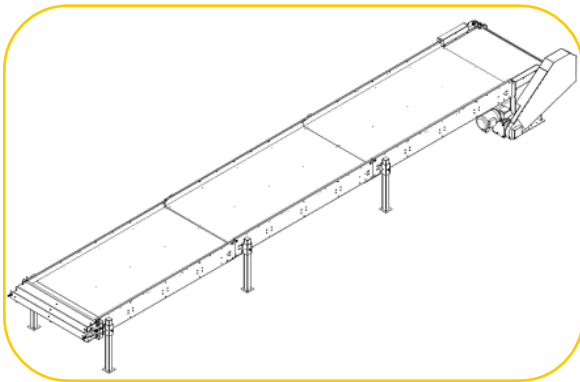
## **SUPER CONVOYOR - SC**

### **BALE TO BULK Processor**

- ◆ Auger Head designed to dismantle silage blocks from flat silos
- ◆ Unique knives, sharp edge cut assuring a good rumen of your herd
- ◆ Reliable and powerful chain drive
- ◆ Conveyor base designed to be used as a standard conveyor
- ◆ Entirely bolted chassis for maximum durability with minimum maintenance cost
- ◆ Can be connected to an automated system with a control panel equipped with a PLC
- ◆ Available in 48"-72"-94" (122-183-239cm) wide

## **Preparation & distribution**

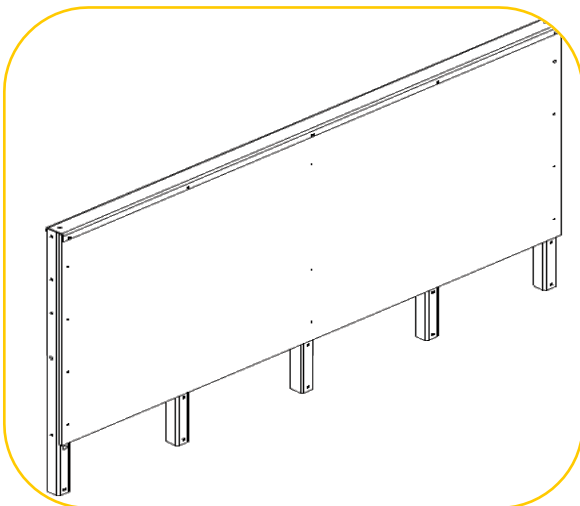
### **Conveyor**



Powerful conveyor base equipped with paddle stats acting mobile deck steel, capable of operating forward – reverse.

#### **Permissible maximum load :**

forward 20 000 lb / 9 072 kg  
reverse 1 500 lb / 680 kg



Available side panels mounted on C shape structure easy to assemble and dismantle.

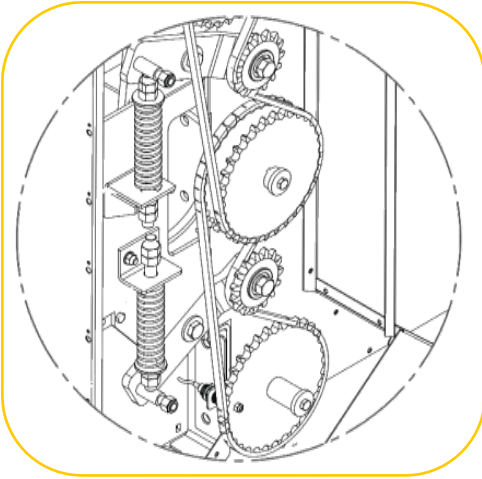
Screwed in Type BVAS waterproof plywood panels for fast and easy maintenance.



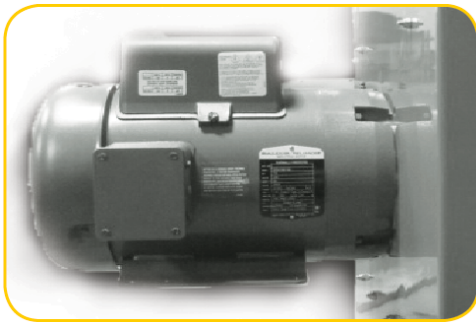
**ROVIBEC**  
AGRISOLUTIONS

© 2016 – Rovibec Agrisolutions Inc. – All rights reserved

## Drive

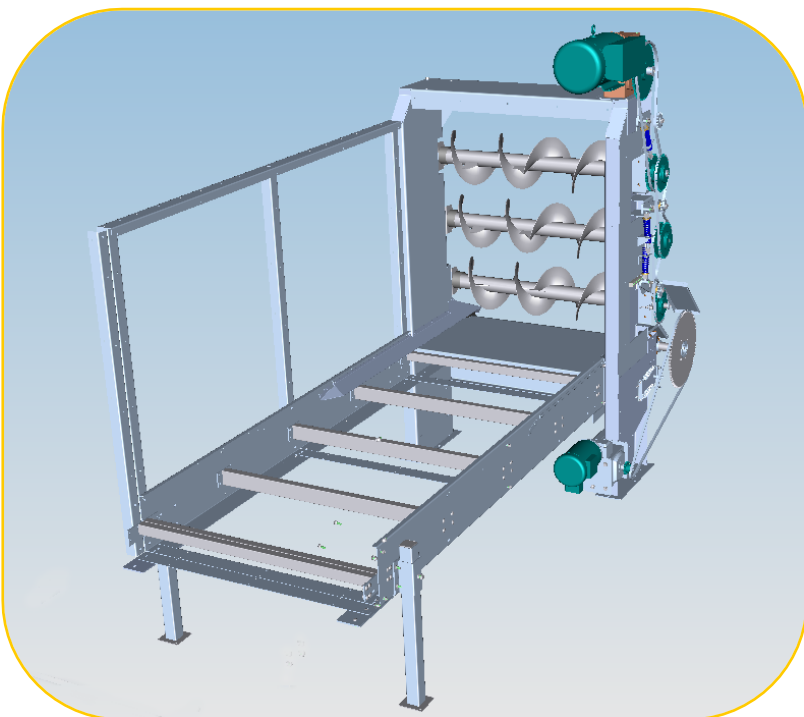


Heavy duty drive mechanism providing increased performance, meeting C.I.B. requirements



Powerful drives motors, located on the super conveyor head & drive apron.

## Head – processor



Three auger drive, designed specifically to perform "bales to bulk" (flat silos)



**ROVIBEC**  
AGRISOLUTIONS

© 2016 – Rovibec Agrisolutions Inc. – All rights reserved

**Knives**



Rovibec unique knives, easy to replace, designed for a sharp edge fibre cut.

**Specification chart**

Model	Drive weight section		Idler weight section		Weight section 6' - 1829mm long		Weight section 8' - 2438mm long		A Overall width **		B Overall width **		Overall height *, **	
	Lb	Kg	Lb	Kg	Lb	Kg	Lb	Kg	Inches	mm	Inches	mm	Inches	mm
48" 1219mm	1700	771	240	109	495	225	660	299	48	1219	63 5/8	1616	101	2565
72" 1829mm	2350	1066	360	163	745	338	990	449	72	1829	87 5/8	2226	101	2565
94" 2388mm	2950	1338	480	218	990	449	1320	599	94	2388	109 5/8	2784	101	2565

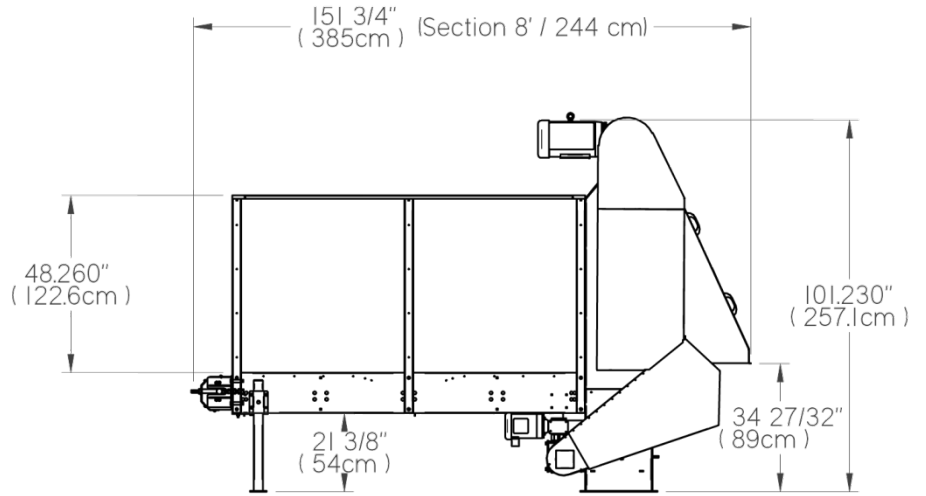
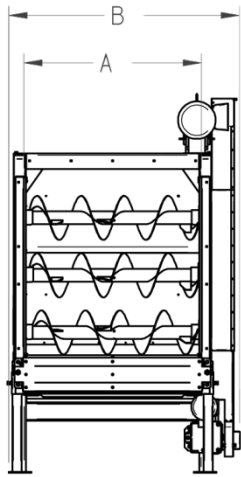
\* overall height includes : floor base plates and top drive motor

\*\* Options not included into mentionned dimensions

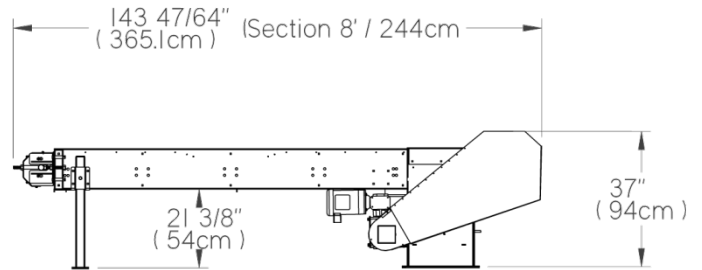
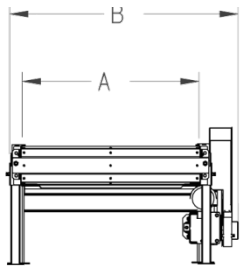


**Dimension specifications**

**Three auger drive**



**Standard drive – conveyor apron**



Modèle / Model	A	B
48" (122 cm)	48" (122 cm)	63 5/8" (162 cm)
72" (183 cm)	72" (183 cm)	87 5/8" (223 cm)
96" (244cm)	96" (244 cm)	111 5/8" (284 cm)