



FEATURES

- Designed to promote cow cleanliness and laying behavior.
- Versatile rectangular or channel posts have easy adjustable headrails.
- Stall is higher for increased cow comfort.
- Designed to make the cows' environment much cleaner & drier.
- Has a partition style that provides space at the front and sides for cows to lunge forward when rising.
- Hot dipped galvanized for extreme longevity.
- Complete with 3" heavy duty post and bolt-on 2 3/8" divide for increased durability.
- Available in **round post**, **rectangular post** and **rectangular channel post** styles.



RECTANGULAR POST



RECTANGULAR CHANNEL POST



ROUND POST



CANARM LTD. - Corporate Office
2157 Parkedale Ave., Brockville, ON
Canada K6V 5V6
Tel: (613) 342-5424 Fax: 1-800-263-4598

CANARM LTD. - USA Warehouse
808 Commerce Park Drive
Ogdensburg, New York, USA 13669
Tel: 1-800-267-4427 Fax: 1-800-263-4598

Arthur Manufacturing Facility
#7686 Concession 16, RR 4 Arthur, ON
Canada NOG 1A0
Tel: (519) 848-3910 Fax: (519) 848-3948

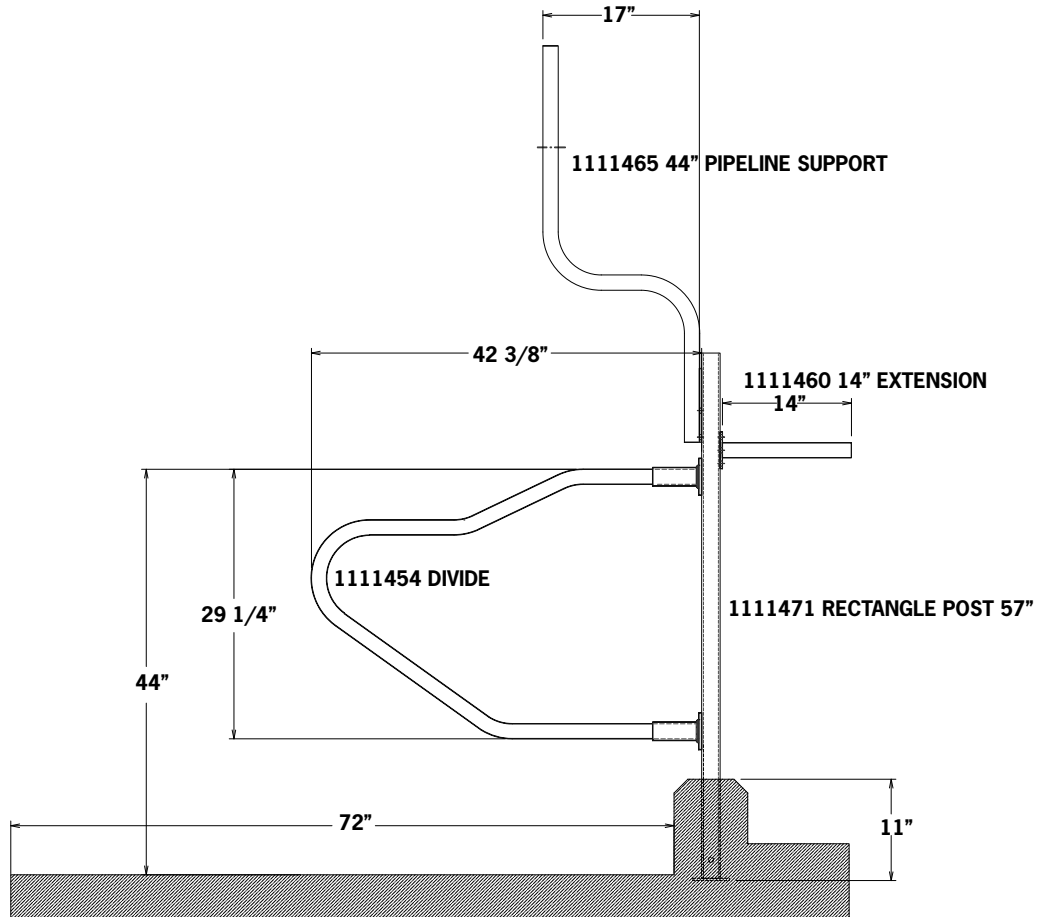
Web Site: www.canarm.com

E-Mail: agsales@canarm.ca

Subject to Change without notice.

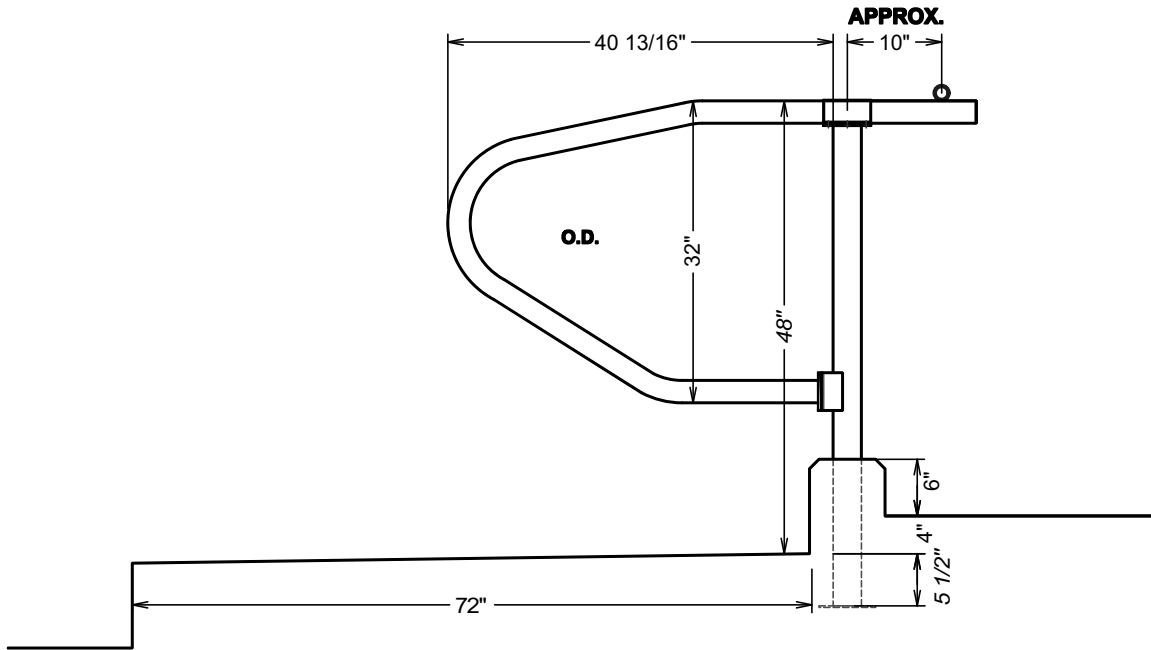
Printed in Canada

TIE STALL ASSEMBLY
RECTANGULAR POST STALL (1111471 Shown)



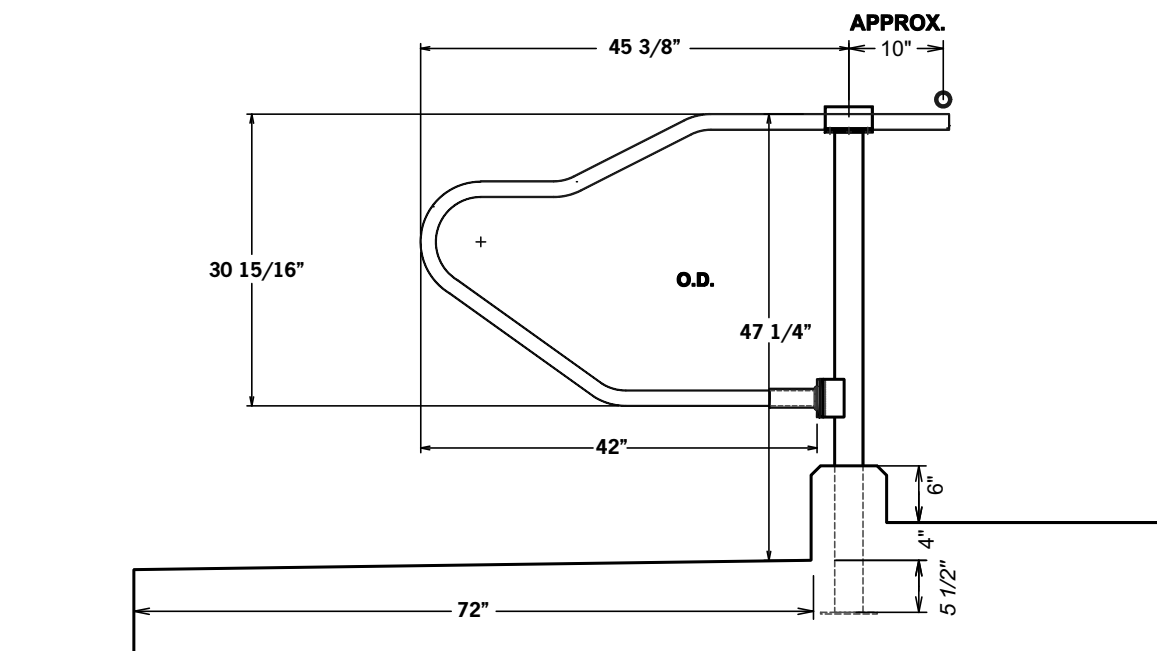
TIE STALL ASSEMBLY

SINGLE ROUND POST STALL (1111350 - 2 3/8" DIVIDER - Shown)



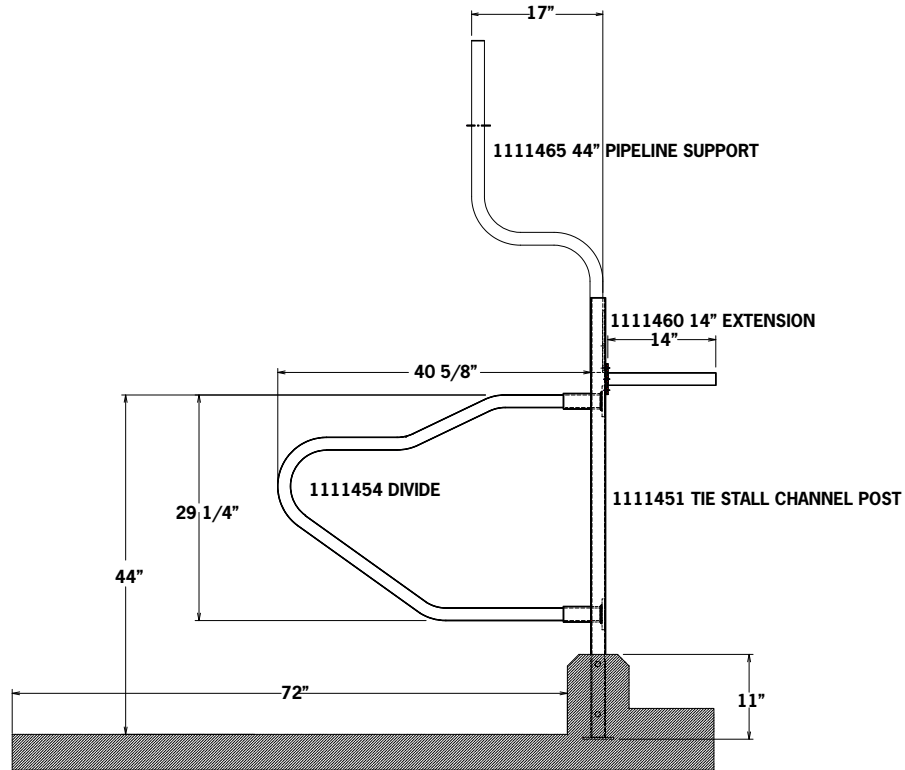
TIE STALL ASSEMBLY

SINGLE ROUND POST STALL (1111354 - 1 5/8" DIVIDER - Shown)



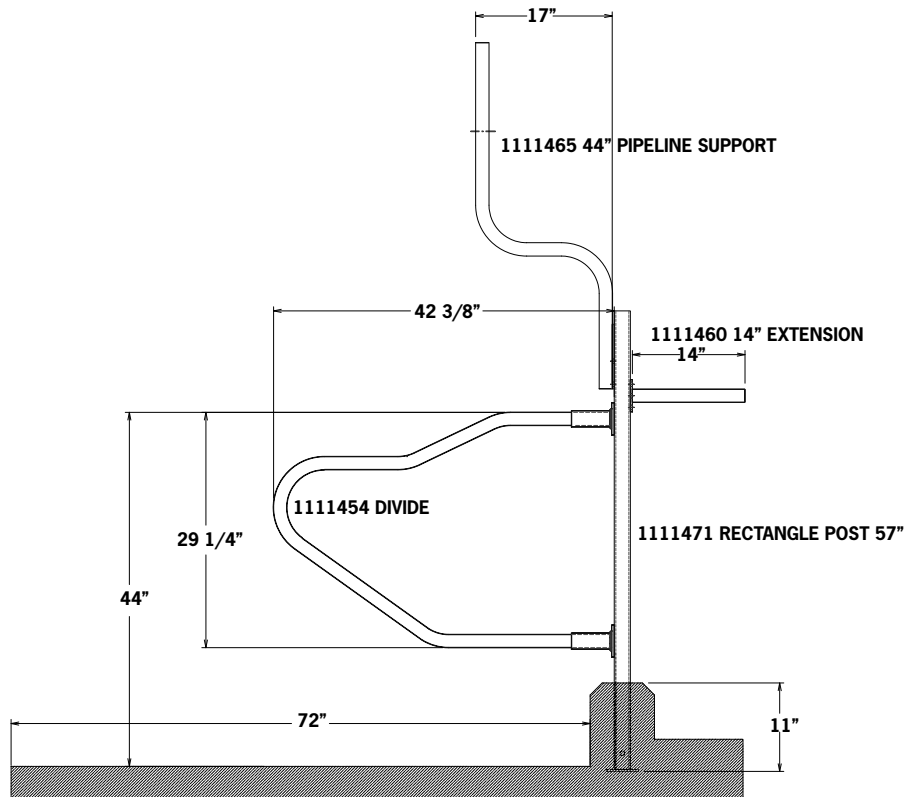
TIE STALL ASSEMBLY

CHANNEL POST STALL (1111451 - Shown)

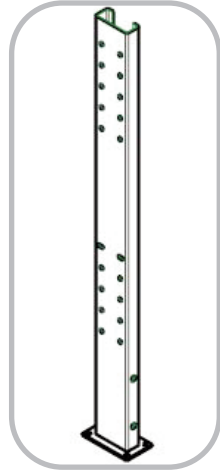
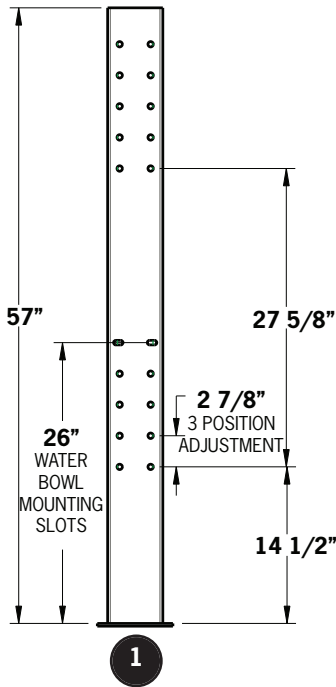


TIE STALL ASSEMBLY

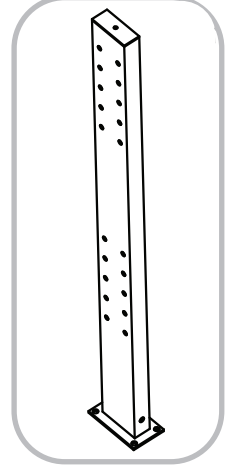
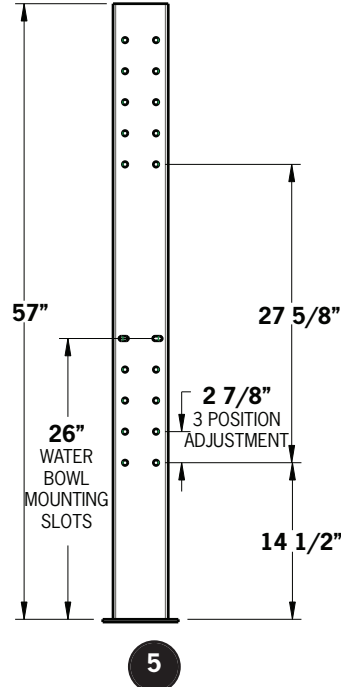
RECTANGULAR POST STALL (1111471 Shown)



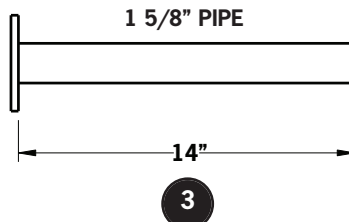
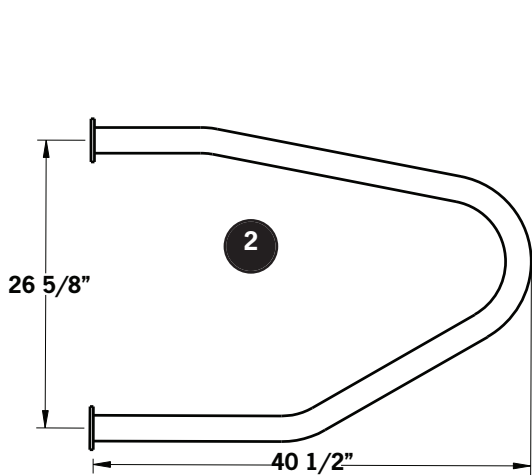
CHANNEL POST TIE STALL



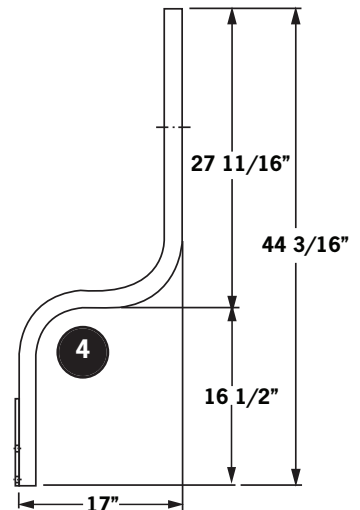
RECTANGULAR POST TIE STALL



CHANNEL POST & RECTANGULAR POST TIE STALL & ACCESS



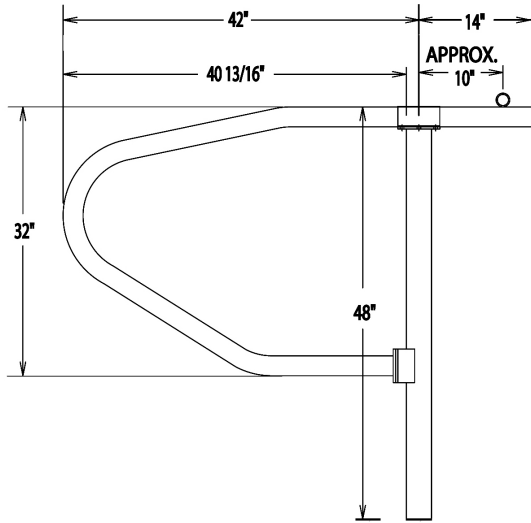
USES 101165-10 CROSS-OVER CLAMP TO ATTACH NECK RAIL



ILLUS.	DESCRIPTION	PART #
1	57" GALV. CHANNEL POST ONLY	1111451
2	42" GALV. DIVIDER (2 PL) (2 3/8")	1111455
	42" GALV. DIVIDER (2 PL) (1 5/8") - not shown	1111454
3	14" GALV. EXTENSION (TIE STALL) (1 5/8" PIPE)	1111460
4	44" GALV. PIPELINE SUPPORTS	1111465
5	57" GALV. RECTANGULAR TUBE - POST ONLY (5" X 2" TUBE)	1111471

TIE STALLS ROUND POST OPTIONS

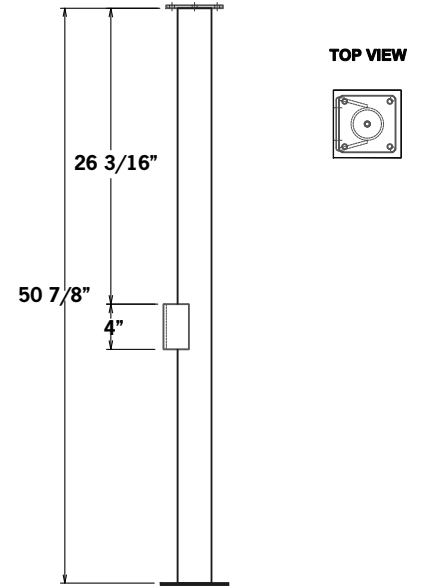
KIT 1111350 SINGLE POST TIE STALL (3" OD) + 42" DIVIDER + 14" EXTENSION



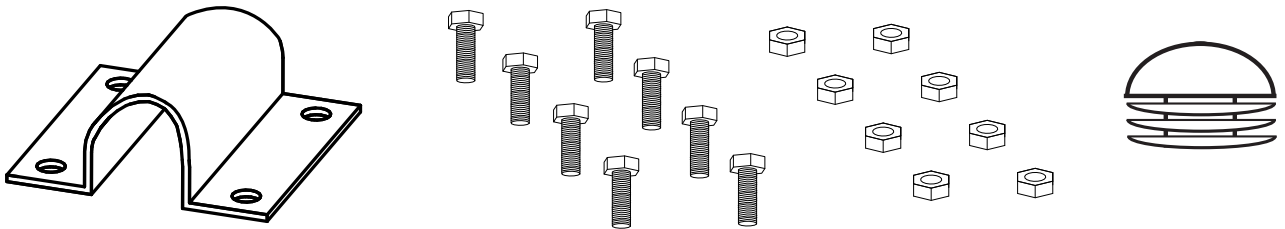
KIT # 1111350 (Includes)		
ILLUS.	DESCRIPTION	PART #
1	GALV. 3" OD POST ONLY + PL (51"H)	1111351
2	GLV DIVIDER (ONLY 2 3/8")	1111355
3	HDW PKG/TIE STALL (8 BOLTS, POST PLUG & X-OVER)	1111350HDW

1111351

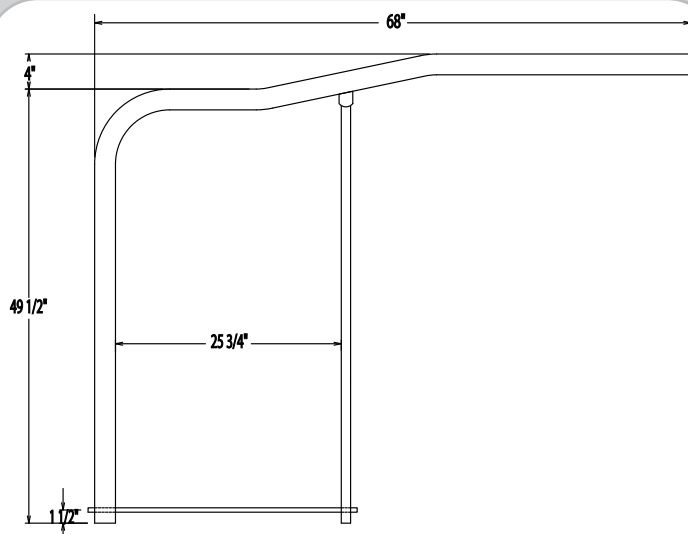
3" OD GALV. SINGLE POST + PLATE (51"H)



KIT 1111350HDW 8 BOLTS, 8 NUTS, POST PLUG & X-OVER

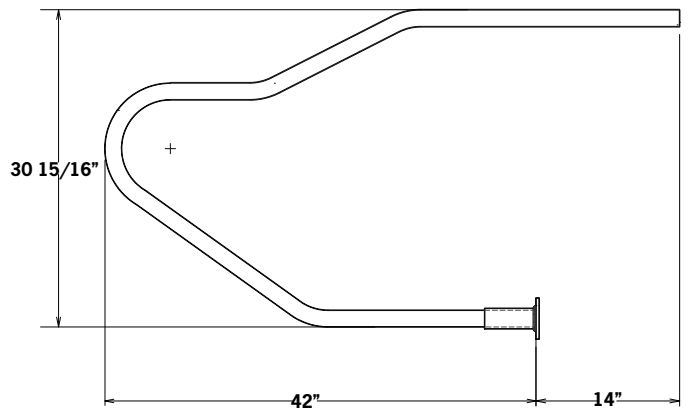


1111378 54" PASSAGE DIVIDE (51"H) STALL + 14" EXTENSION



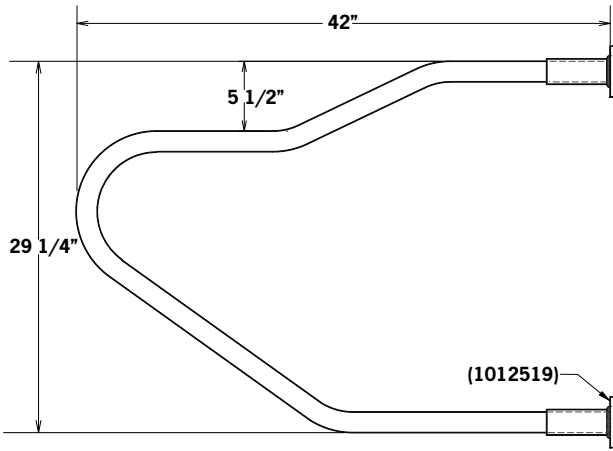
1111354

42" GLV DIV (1 5/8") + 14" EXT (FOR ROUND POST)



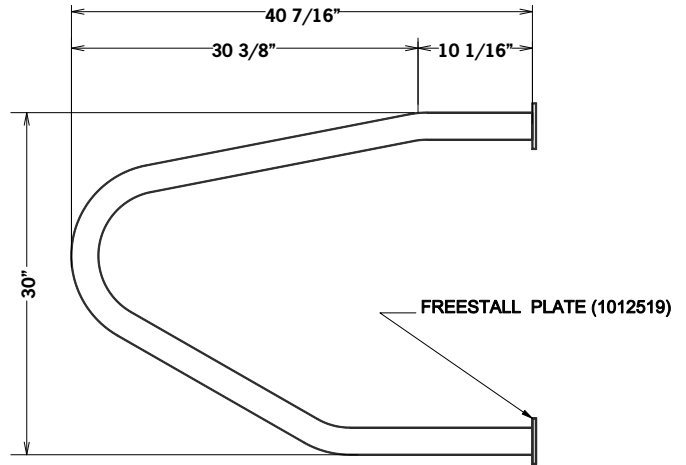
1111454

42" GALV. DIVIDER (1 5/8") + 2 PLATE
(FOR CHANNEL POST OR RECTANGULAR POST)



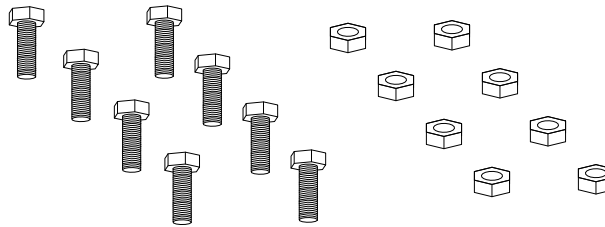
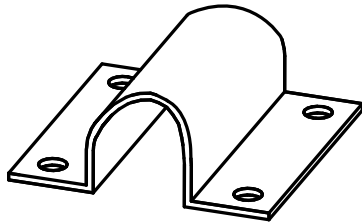
1111455

42" GALV. DIVIDER (2 3/8") + 2 PLATE
(FOR CHANNEL OR RECTANGULAR POST)

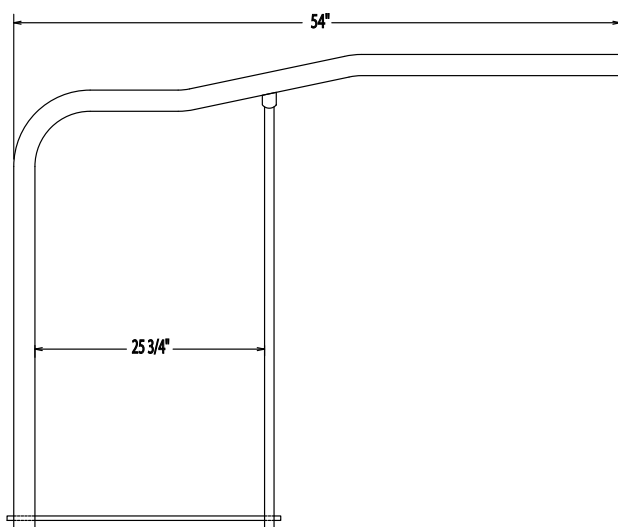


KIT 1111354HDW

8 BOLTS, 8 NUTS, POST PLUG & X-OVER (1 5/8" DIVIDER)

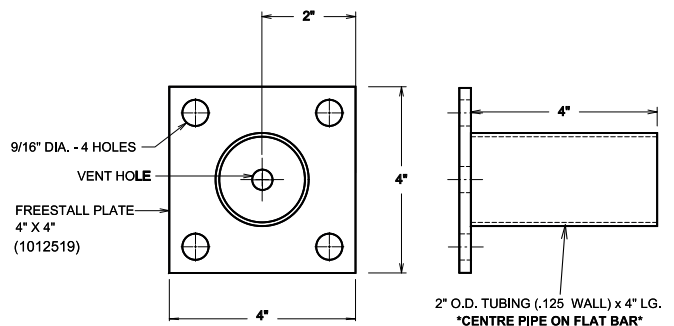


1110654 PASSAGE DIVIDER (51"H), 1 5/8" PIPE FOR
CHANNEL OR RECTANGULAR POST

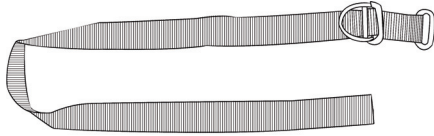


1111478

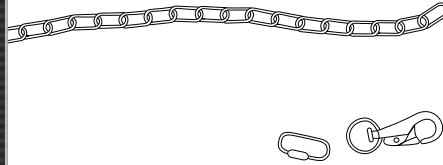
END OF ROW STUB/DIVIDER



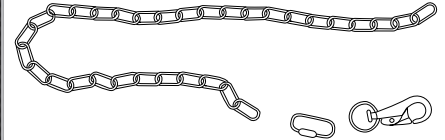
1112110
NYLON NECK STRAP



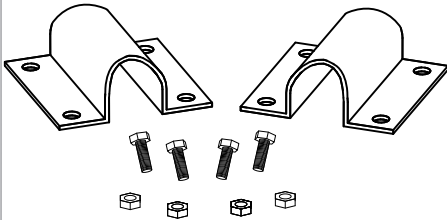
1110924-5
24" HEADRAIL TIE CHAIN (BOX 5)



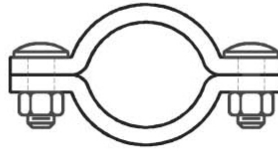
1110936-5
36" HEADRAIL TIE CHAIN (BOX 5)



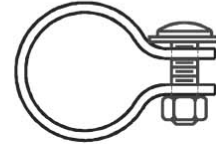
101166-10
X-OVER CLAMP 1 5/8" X 2 3/8" (BOX 10)



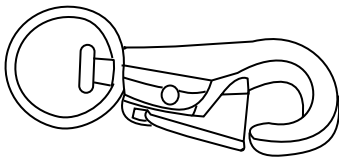
101190U-10
2 PC HEADRAIL CLAMP 1 5/8" (BOX 10)



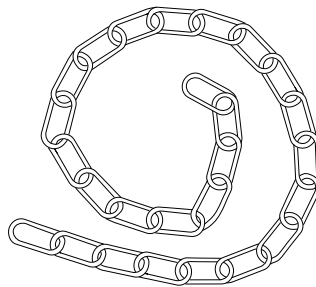
101195U-10
1 PC HEADRAIL CLAMP 1 5/8" (BOX 10)



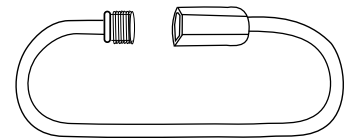
111200
HEAVY DUTY SNAP



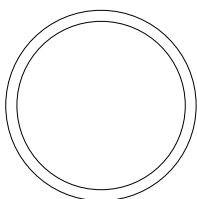
1112002
CHAIN 1/4" CROSS, ZP



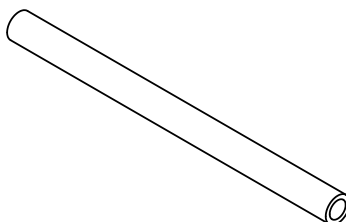
1112004
QUICK CONNECT 1/4"



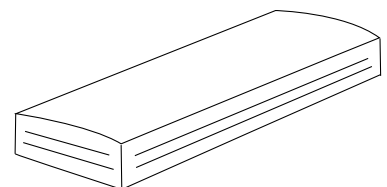
1112012
O-RING 1/4" X 2"



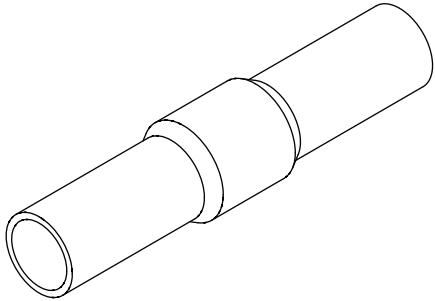
1110500-1
1 5/8" OD PRE GALV PIPE 21' LG



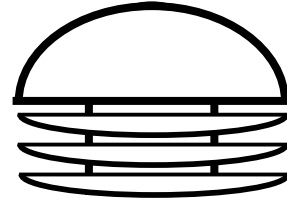
1111472
POST PLUG 5" X 2" RECT POST



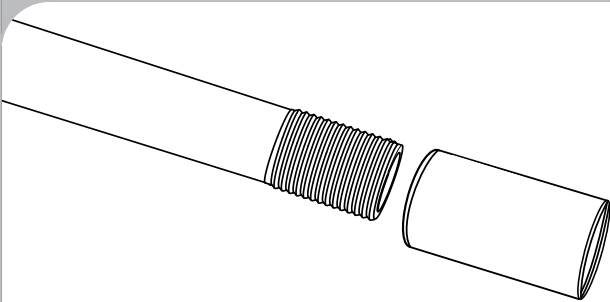
1110401-5
HEADRAIL JOINER 1 5/8" (BOX 5)



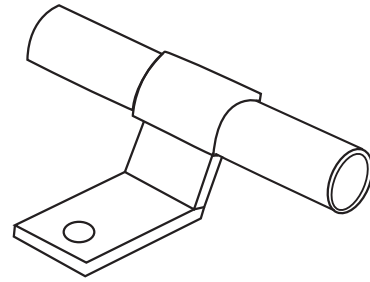
1110402
1 5/8" OD PLASTIC POST CAP



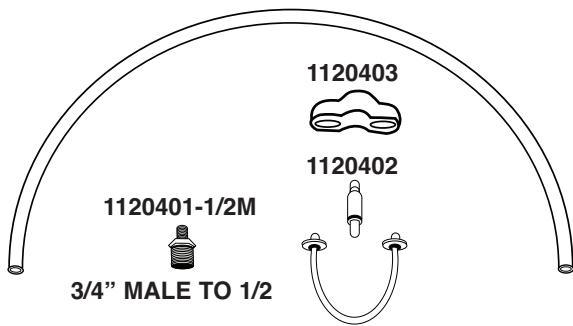
1110400-22TH
21' GALV THREADED HEADRAIL + COUPLER 1 1/4" SCH 40



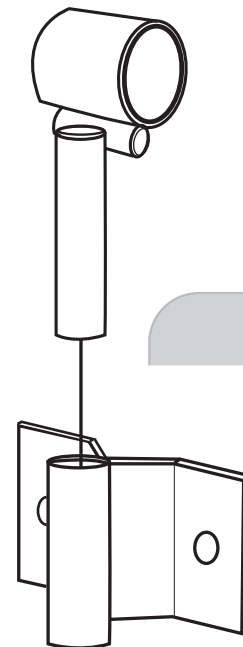
1113020
BEDDING KEEPER BRACKET & ANCHOR



1120400
(COMPLETE) SADDLE KIT FOR WATER BOWL (DAIRY)

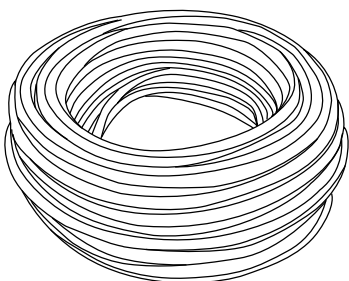


1113030
REMOVABLE BEDDING KEEPER BRACKET



1454240
FIELDGATE HINGE

1120416
BULK HOSE / SADDLE KIT - 100' ROLL



ORDERING GUIDELINES

Tie Stalls - Round Post

1. **Order arches or single post stalls with suspended dividers.** (1 less than # of cow spaces)
2. **Order 101166-10 cross over clamps for headrail** (1 per cow space + 1 extra per row).
3. **Order tie chains.** (24" for 40" high stalls/36" for 46" high stalls). Order **101195-U or 101190-U clamps for tie chains** (1 per cow space + 1 extra per row).
4. **Order nylon cow ties** (nylon straps).
5. **Order headrail** (total number of feet required, comes in 21 foot lengths) + **headrail joiners** (optional - order threaded headrail (21' lengths) and saddle kits for water bowl to headrail hookup)
6. **OPTIONAL - order water bowl mounting plate** c/w u-bolt (1111345)

Note: Some water bowls need u-bolt only (3 1/2" o.c.), contact Canarm for pricing

Single Post Stalls Passage Divides

1. **Order uprights** (2 per row)
2. **Order passage dividers**
3. **Order hardware package** (1 per passage divider).

Tie Stalls - Rectangular or Channel Post

1. **Order choice of post** (1 less than # of cows)
2. **Order divide** (1 less than # of cows)
3. **Order cross over clamp for headrail (101165-10).**
4. **Order hardware package**
1111450HDW for Channel Post (1 per post)
1111470HDW for Rectangular Post (1 per post)
5. **Order tie chains.** (24" for 40" high stalls/36" for 46" high stalls). Order **101195-U or 101190-U clamps for tie chains** (1 per cow space + 1 extra per row).
6. **Order nylon cow ties** (nylon straps).
7. **Order headrail** (total number of feet required, comes in 21 foot lengths) + **headrail joiners** (optional - order threaded headrail (21' lengths) and saddle kits for water bowl to headrail hookup)

Rectangular or Channel Post Passage Divides

1. **Order post** (2 per row)
2. **Order stub** (2 per row) (1111478)
3. **Order passage divide** (2 per row) (1111378)
4. **Order hardware** (2 per row)

CANARM LTD. - Corporate Office
2157 Parkedale Ave., PO Box 367 Brockville, ON
Canada K6V 5V6
Tel: (613) 342-5424 Fax: 1-800-263-4598

CANARM LTD. - USA Warehouse
808 Commerce Park Drive
Ogdensburg, New York, USA 13669
Tel: 1-800-267-4427 Fax: 1-800-263-4598

Arthur Manufacturing Facility
#7686 Concession 16, RR 4 Arthur, ON
Canada NOG 1A0
Tel: (519) 848-3910 Fax: (519) 848-3948

Web Site: www.canarm.com

E-Mail: agsales@canarm.ca