



### Protection for loose-housed sows.

The Easy-Choice sow stall gives a gestating sow protection while she's feeding in a loose sow-housing environment.

The stall is simple and strong, with only one pivot point. The sow enters when she wants to eat and a gate swings shut behind her to protect her. When she is done feeding, she backs up and the gate swings open, allowing her to leave into the loose sow pen.

### FEATURES

- Simple, with one pivot point.
- Built from solid steel that is then galvanized for additional long life.
- Protects the sow while feeding, within a loose sow housing environment.
- iFEED ready to increase weaning weight, litter size and profit

*The new SowChoice line of products - developed by Canarm AgSystems - is designed to specifically help hog farmers make changes to their sow housing as the market and consumers continue to push for loose sow housing. Visit [www.sowchoicesystems.com](http://www.sowchoicesystems.com) for details.*



By CANARM®



**CANARM LTD. - Corporate Office**  
2157 Parkedale Ave., Brockville, ON  
Canada K6V 5V6  
Tel: (613) 342-5424 Fax: 1-800-263-4598

Web Site: [www.canarm.com](http://www.canarm.com)

**CANARM LTD. - USA Warehouse**  
808 Commerce Park Drive  
Ogdensburg, New York, USA 13669  
Tel: 1-800-267-4427 Fax: 1-800-263-4598

E-Mail: [agsales@canarm.ca](mailto:agsales@canarm.ca)

**Arthur Manufacturing Facility**  
#7686 Concession 16, RR 4 Arthur, ON  
Canada NOG 1A0  
Tel: (519) 848-3910 Fax: (519) 848-3948





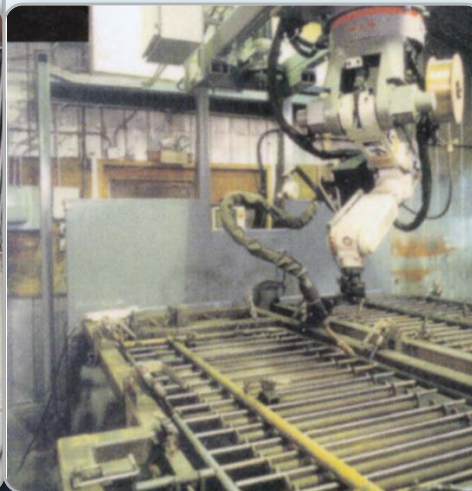
## FEATURES

- Solid vertical spindles, bottom bar and legs.
- Heavy 7/8" solid rod frame.
- Sloped front increases operator mobility.
- Lower back part allowing easy access to animal.
- Both gestation and breeding stalls are designed to swing left or right.
- All hot-dip galvanized.
- Easily assembled.
- Available with or without drop tube.
- Float valve system and stainless steel guard available.
- Available with top pipe or top strap.
- iFEED ready to increase weaning weight, litter size and profit

### OPERATOR AND ANIMAL FRIENDLY



### ROBOTICALLY WELDED



### CARD HOLDER AVAILABLE



**CANARM LTD. - Corporate Office**  
2157 Parkedale Ave., Brockville, ON  
Canada K6V 5V6  
Tel: (613) 342-5424 Fax: 1-800-263-4598

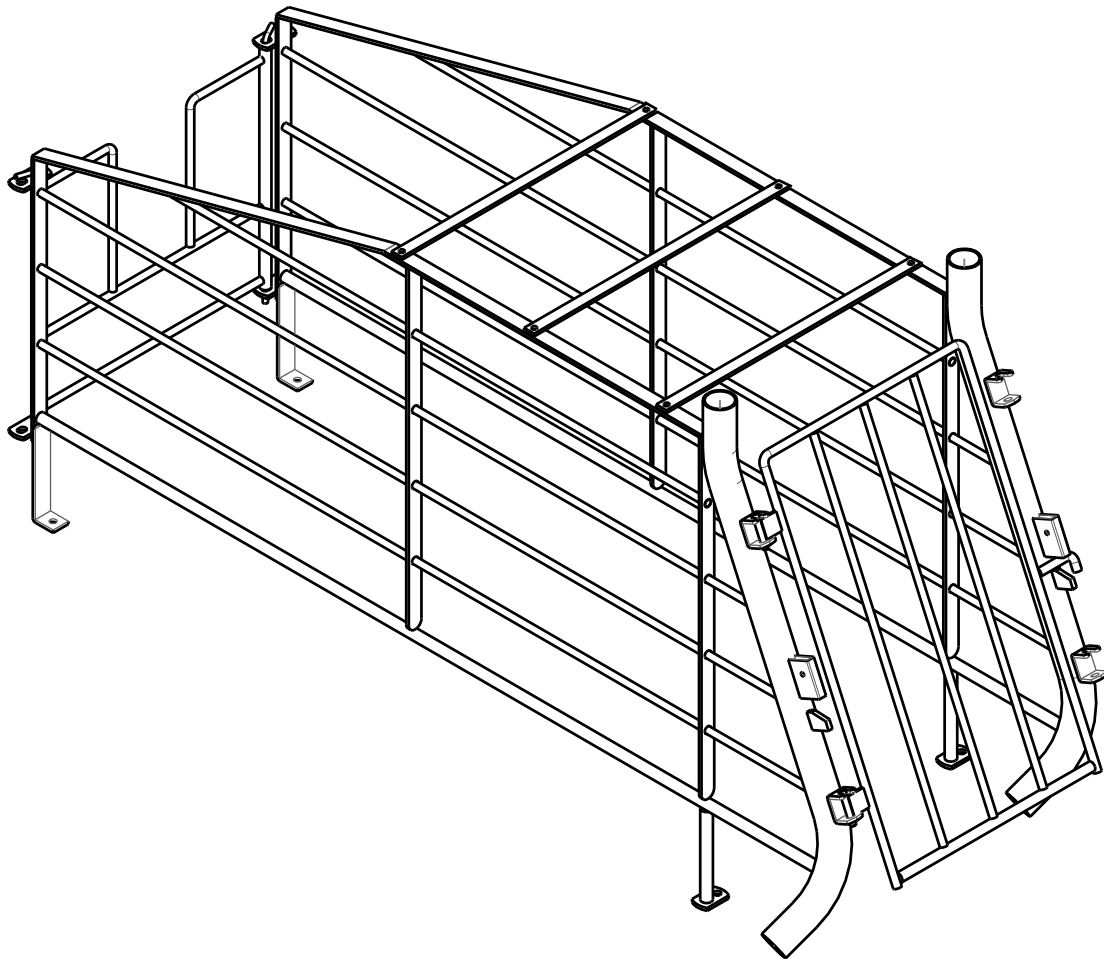
Web Site: [www.canarm.com](http://www.canarm.com)

**CANARM LTD. - USA Warehouse**  
808 Commerce Park Drive  
Ogdensburg, New York, USA 13669  
Tel: 1-800-267-4427 Fax: 1-800-263-4598

E-Mail: [agsales@canarm.ca](mailto:agsales@canarm.ca)

**Arthur Manufacturing Facility**  
#7686 Concession 16, RR 4 Arthur, ON  
Canada NOG 1A0  
Tel: (519) 848-3910 Fax: (519) 848-3948

## SLANT FRONT



### HORIZONTAL DRY SOW STALLS SLOPED FRONT DRY SOW STALLS SLAM FRONT PIN BACK WELD-IN FEED TUBE

PART #	DESCRIPTION
DSSL5100B	SP 84" BM DSS HORIZONTAL SLFR 24" O.C.
DSSL5100P	SP 84" PNT DSS HORIZONTAL SLFR 24" O.C.
DSSL5100G	SP 84" GALV. DSS HORIZONTAL SLFR 24" O.C.
DSSDSL5100B	SP 84" BM SIDE ONLY SLOPED FR
DSSDSL5100P	SP 84" PNT SIDE ONLY SLOPED FR
DSSDSL5100G	SP 84" GALV. SIDE ONLY SLOPED FR

### CHINA DRY SOW STALLS SLOPED FRONT DRY SOW STALLS SLAM FRONT PIN BACK WELD-IN FEED TUBE

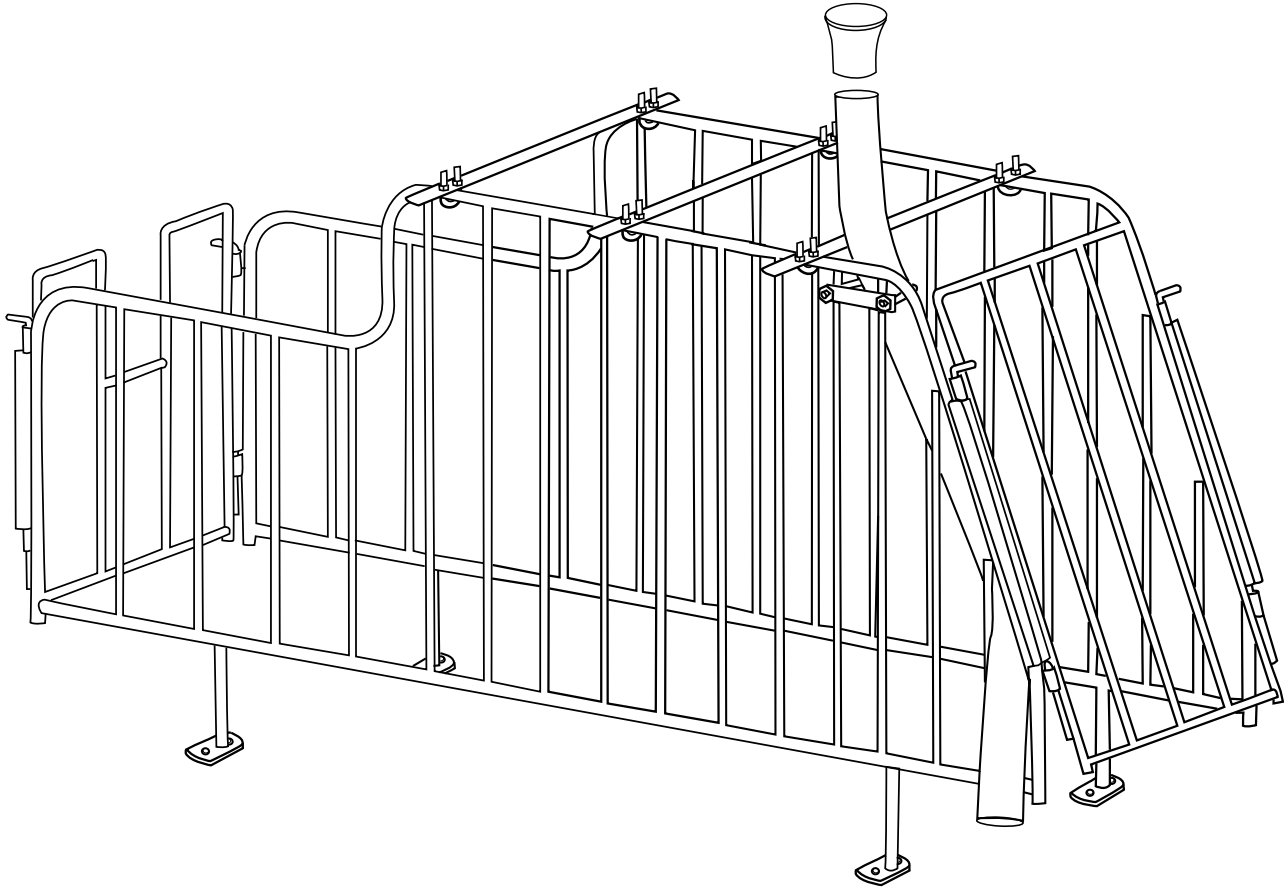
#### PKG OF 40 STALLS FOB ARTHUR

PART #	DESCRIPTION
C-DSSL5100G-40	SP 84" BM DSS HORIZONTAL SLFR 24" O.C. PACKAGE OF 40 STALLS INCLUDES 41 SIDES, 40 FRONT AND BACK GATES, TOP STRAP, 2 PINS FOR BACK GATE, SLAM LATCH PARTS FOR FRONT GATE

**EXTENDED LEAD TIME MAY APPLY**

## PARTS

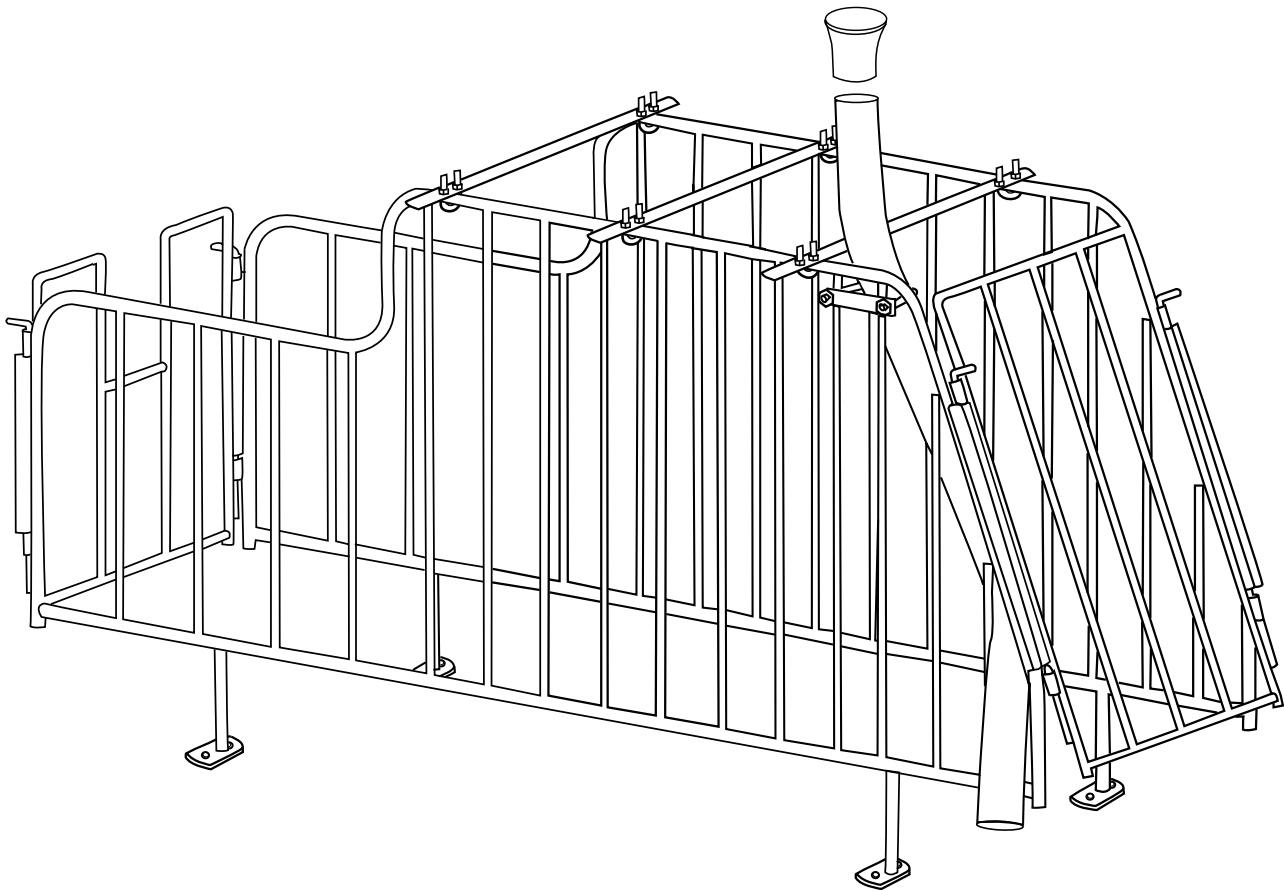
**Upgrade to Canarm AgSystems Slam Latch at no charge. Please see STALLS-3 for illustration.**



DESCRIPTION	PART #
DSS GALV. 22" O.C. (1/2" ROD) + 3 STRAPS	2071340-22
DSS GALV. 24" O.C. (1/2" ROD) + 3 STRAPS	2071340-24
DSS GALV. 22" O.C. (1/2" ROD) + 3 STRAPS + DROP TUBE (SHOWN)	2071345-22
DSS GALV. 24" O.C. (1/2" ROD) + 3 STRAPS + DROP TUBE (SHOWN)	2071345-24
DSS BM 22" O.C. (1/2" ROD) + 3 STRAPS	2071340B-22
DSS BM 24" O.C. (1/2" ROD) + 3 STRAPS	2071340B-24
DSS BM 22" O.C. (1/2" ROD) + 3 STRAPS + GALV. DROP TUBE (SHOWN)	2071345B-22
DSS BM 24" O.C. (1/2" ROD) + 3 STRAPS + GALV. DROP TUBE (SHOWN)	2071345B-24
DSS GALV. ROW END (1/2" ROD) + U-BOLTS	2071331
DSS BM ROW END (1/2" ROD) + U-BOLTS	2071331B

## PARTS

Upgrade to Canarm AgSystems Slam Latch at no charge. Please see STALLS-3 for illustration.



DESCRIPTION	PART #
DSS GALV. 22" O.C. (5/8" ROD) + 3 STRAPS	2071340-22HD
DSS GALV. 24" O.C. (5/8" ROD) + 3 STRAPS	2071340-24HD
DSS GALV. 22" O.C. (5/8" ROD) + 3 STRAPS + DROP TUBE (SHOWN)	2071345-22HD
DSS GALV. 24" O.C. (5/8" ROD) + 3 STRAPS + DROP TUBE (SHOWN)	2071345-24HD
DSS BM 22" O.C. (5/8" ROD) + 3 STRAPS	2071340B-22HD
DSS BM 24" O.C. (5/8" ROD) + 3 STRAPS	2071340B-24HD
DSS BM 22" O.C. (5/8" ROD) + 3 STRAPS + GALV. DROP TUBE (SHOWN)	2071345B-22HD
DSS BM 24" O.C. (5/8" ROD) + 3 STRAPS + GALV. DROP TUBE (SHOWN)	2071345B-24HD
DSS GALV. ROW END (5/8" ROD) + U-BOLTS	2071331HD
DSS BM ROW END (5/8" ROD) + U-BOLTS	2071331BHD

## PARTS

**2070443**

24" O.C. AI BACK GATE, GALV.

**2070443-22**

22" O.C. BACK AI GATE, GALV.

**2071332**

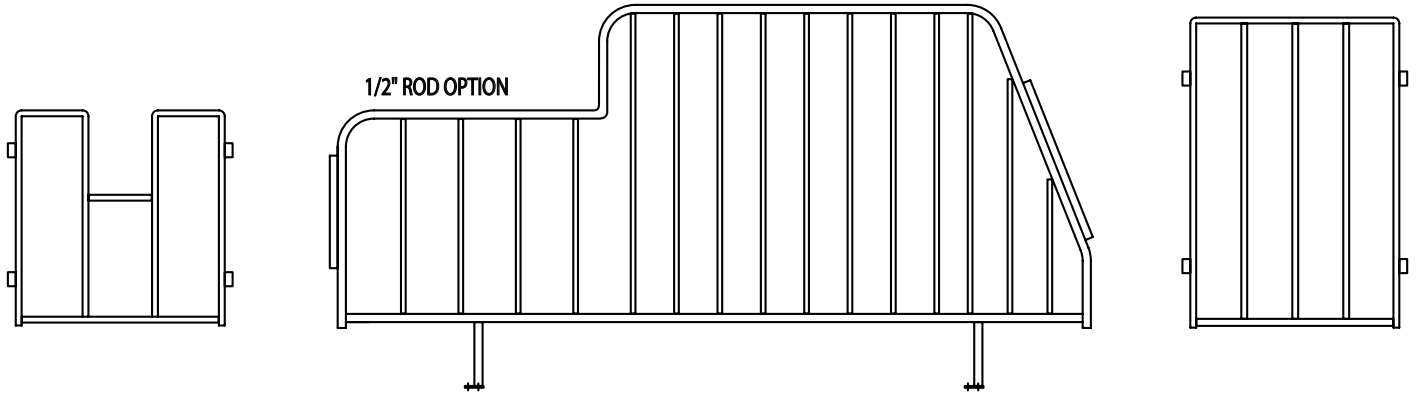
GALV. DSS SIDE ONLY  
(1/2" ROD)(7/8" FRAME)

**2070472**

24" O.C. FRONT GATE, GALV.

**2070472-22**

22" O.C. FRONT GATE, GALV.



ALL OF THESE PARTS ARE AVAILABLE IN BARE METAL.

**2070443**

24" O.C. AI BACK GATE, GALV.

**2070443-22**

22" O.C. BACK AI GATE, GALV.

**2071332-HD**

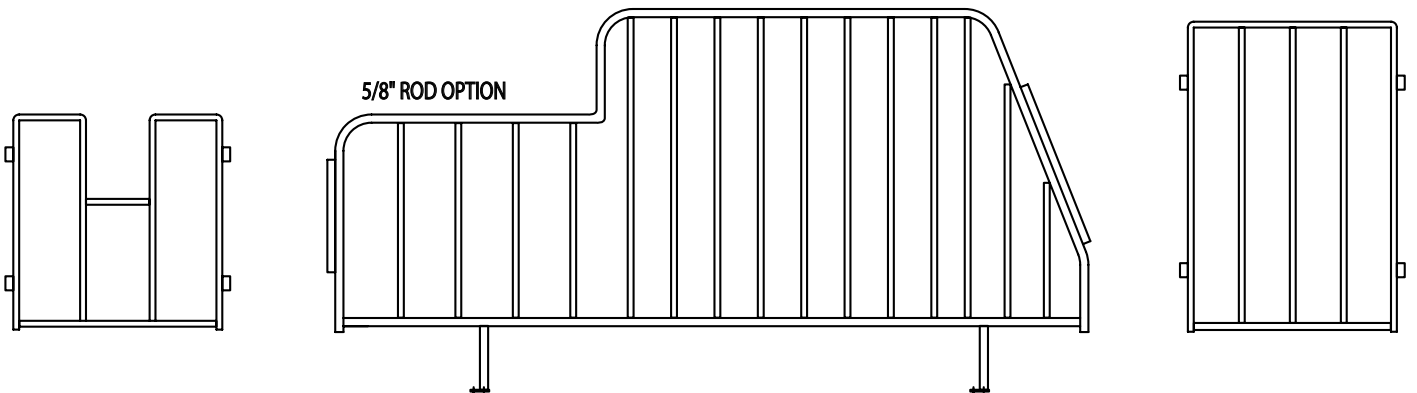
GALV. DSS SIDE ONLY  
(5/8" ROD)(7/8" FRAME)

**2070472**

24" O.C. FRONT GATE, GALV.

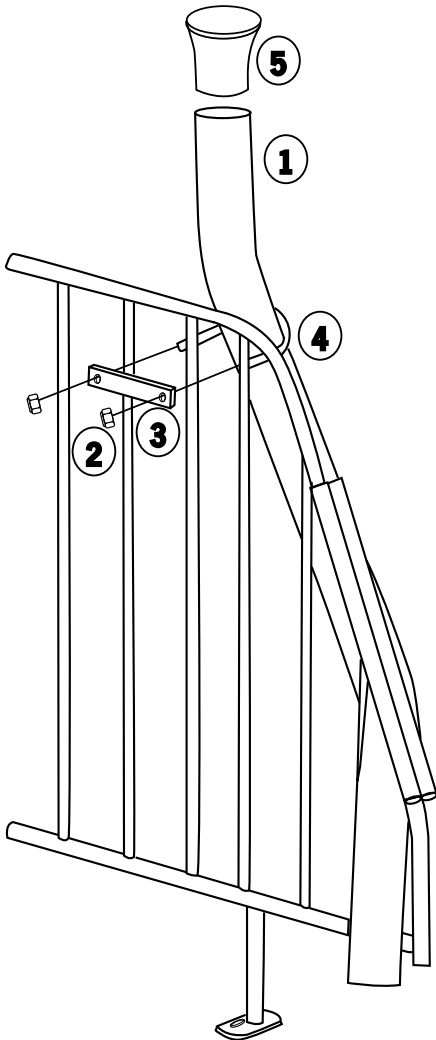
**2070472-22**

22" O.C. FRONT GATE, GALV.

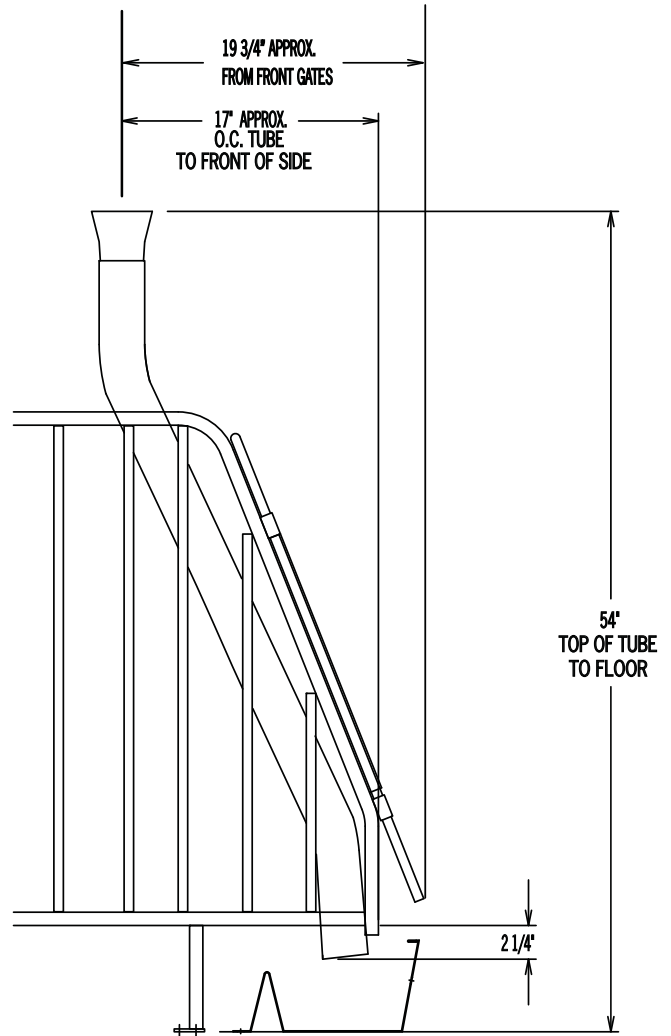


ALL OF THESE PARTS ARE AVAILABLE IN BARE METAL.

## ASSEMBLY



## LOCATION



ILLUS.	DESCRIPTION	PART #	QTY.
1	GALV. DROP TUBE	2070881	1
2	3/8" LOCK NUT	NUT3/8L	2
3	BACKER PLATE	2070877	1
4	U-BOLT	2070878	1
5	DROP TUBE FUNNEL	2070876	1

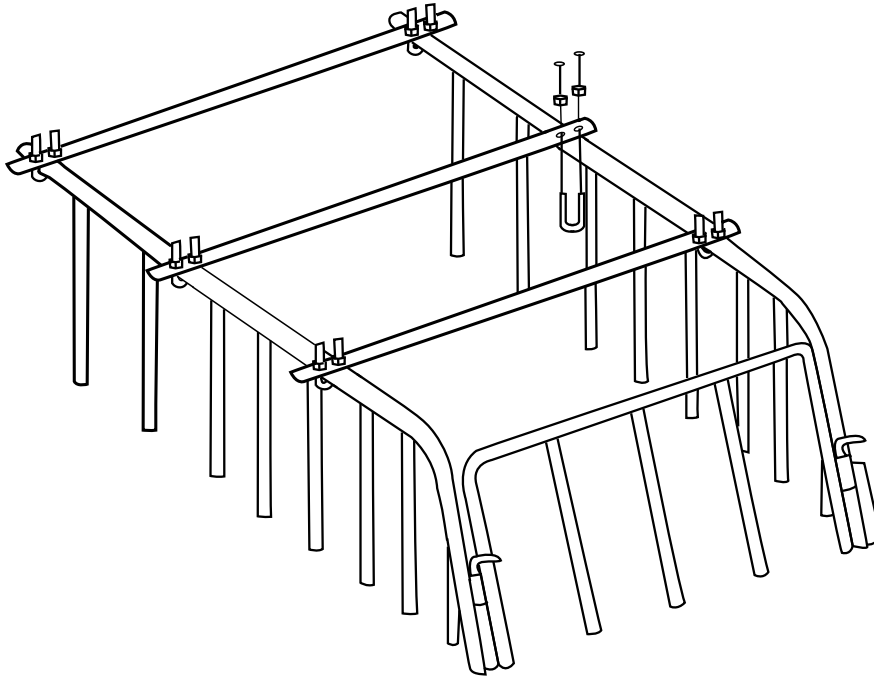
## ASSEMBLY INSTRUCTIONS

- 1) Insert the bottom of the drop tube in the section space from the front. Push the drop tube down until it touches the bottom rod.
- 2) Tilt the top of the tube back and clamp with the U-bolt and backer plate.

**NOTE:** The U-bolt will span the fourth space from the front. Position the U-bolt as close to the top pipe as possible.



## 1/4" X 1" FLAT BAR + U-BOLT



## ASSEMBLY INSTRUCTIONS

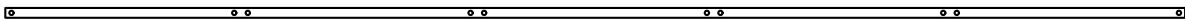
- 1) Stall must be set up with gates swinging freely.
- 2) Fasten the first row of flat bar using the u-bolts to keep the stalls square.
- 3) Fasten the remaining runs of flat bar as required, spacing the rails to suit the customer.
- 4) A joiner (Part # 2070126) can be added to connect the pipes.
- 5) If using more than 1 run of top rail, offset the joints for maximum strength.

### 2070510-24

1" GALV. STRAP + HDW 10' LG. (24" O.C.)

### 2070510B-24

1" B.M. STRAP + HDW 10' LG. (24" O.C.)

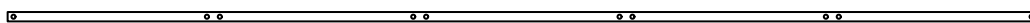


### 2070510-22

1" GALV. STRAP + HDW 9'2" LG. (22" O.C.)

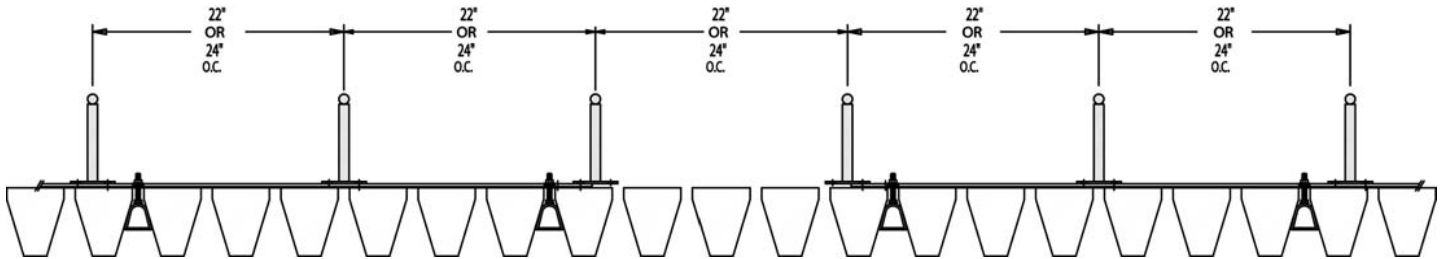
### 2070510B-22

1" B.M. STRAP + HDW 9'2" LG. (22" O.C.)





## STAINLESS STRAPS (FORMED)

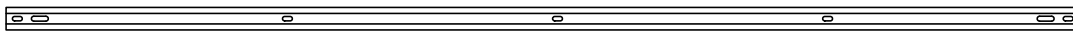


If used at front of stall, 5 wedge bolts are required to bolt strap to floor (not included).

If used at back of stall, 3 wedge bolts are required to strap to floor (not included).

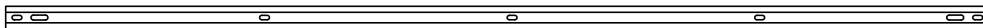
### 2070414

SS FORMED STRAP X 96" LG. (24" O.C.) + SS HDW.

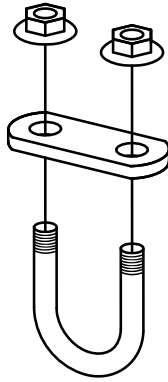


### 2070412

SS FORMED STRAP X 88" LG. (22" O.C.) + SS HDW.

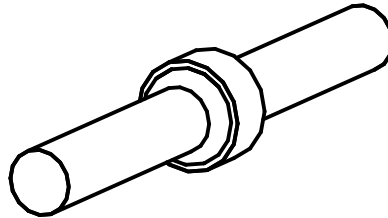


**2070517**  
U-BOLT + PLATE

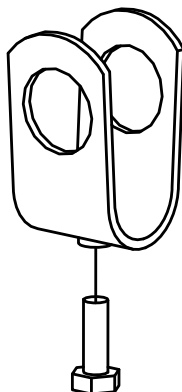


DESCRIPTION	PART #	QTY.
GALV. STRAP JOINER 1 X 2 3/8"	2070515	1 pc.
5/16" U-BOLT ONLY X 1 3/4" LG.	20-1A	1 pc.
5/16" FLANGE NUT ULTRASEAL	NUT5/16FL	2 pcs.

**2070126-10**  
3/4" PIPE JOINER, GALV. (BOX OF 10)

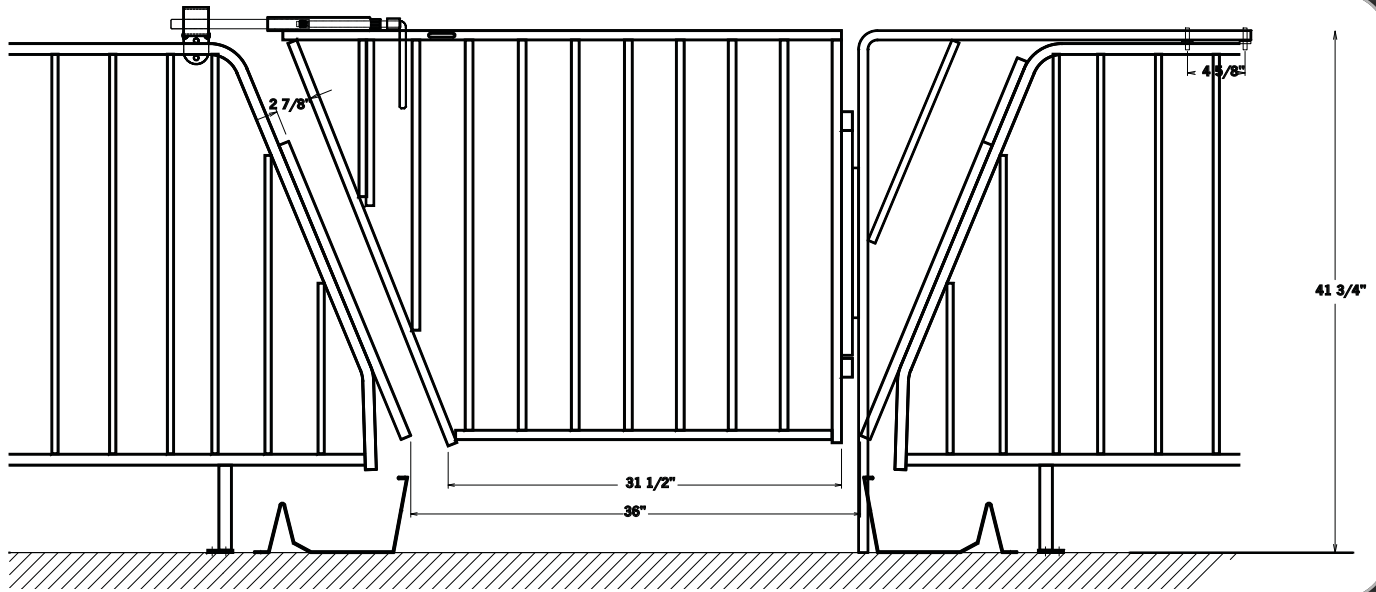


**2070994-20**  
1 PC. X-OVER CLAMP, 1 1/16" OD (BOX OF 20)

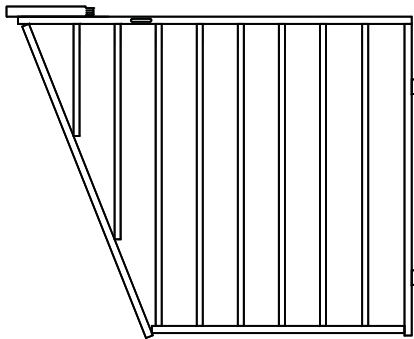


DESCRIPTION	PART #	QTY.
1 PC. X-OVER CLAMP ONLY	2070993	20 pcs.
1/4" X 3/4" HEX BOLT	BOL1/4-3/4H	20 pcs.

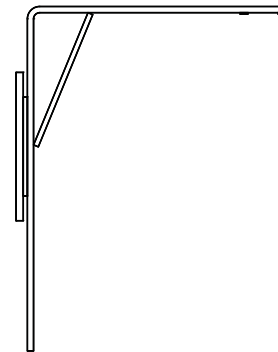
**ALLEY GATE SHOWN ASSEMBLED**



**2071471** (FR TO FR SW GATE - 27.5" BOTTOM)  
**2071472** (FR TO FR SW GATE - 31.5" BOTTOM)



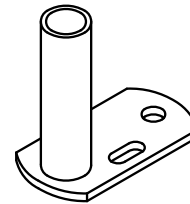
**2071474** - FR TO FR GALV. HINGE BKT/DSS



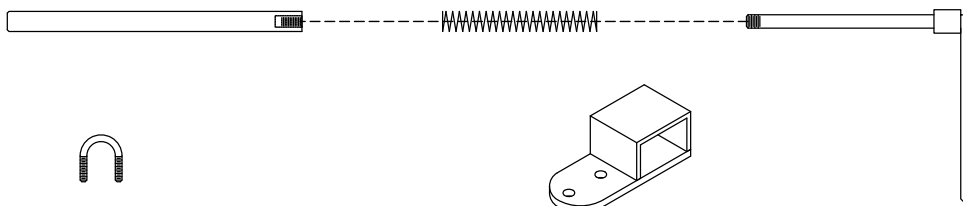
**2070376** - 22" GALV. PIN (1/2")



**2071373** - FLOOR MOUNT/HINGE BRACKET



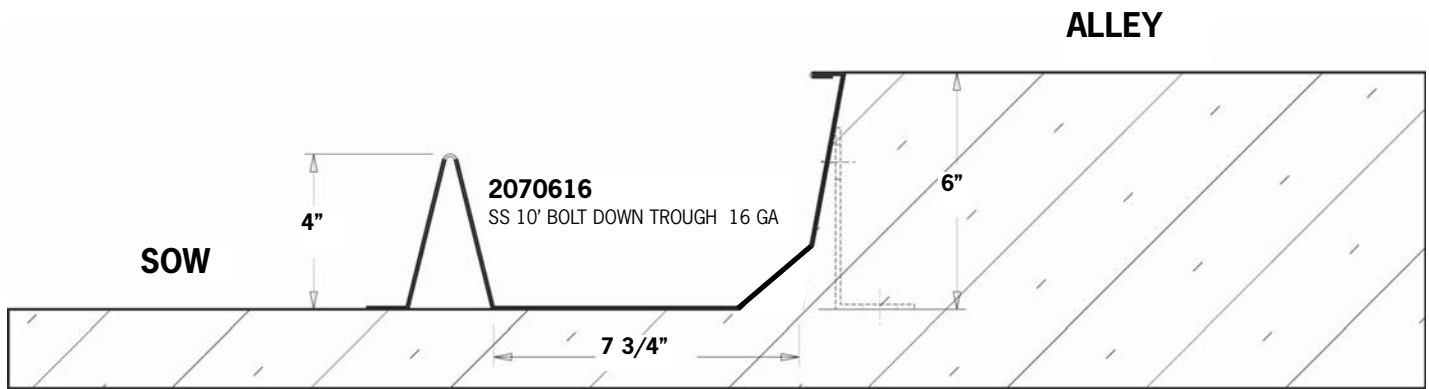
**2070379** - HARDWARE PACKAGE - LATCH + CATCH + PARTS



**ALL ABOVE PARTS ARE AVAILABLE IN BARE METAL**

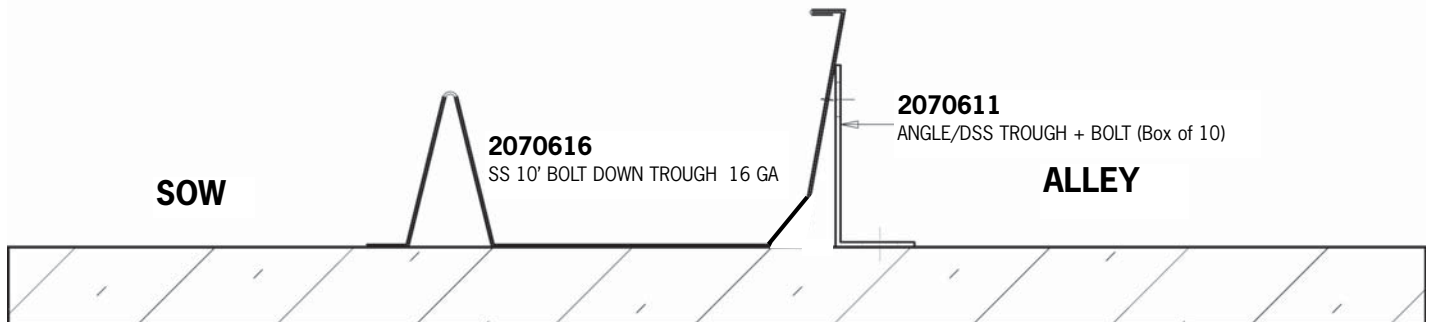
## ASSEMBLY OPTION #1

Bolt down trough with raised concrete walkway



## ASSEMBLY OPTION #2

Bolt trough down, **NO** raised concrete walkway





HOG PRODUCTS				
PRODUCT	PIPE SIZE	WALL THICKNESS	GAUGE	TYPE (OF SS)
<b>GESTATION STALLS</b>				
Frame	7/8" Solid Rod			
Standard Spindles	1/2" Solid			
Heavy Spindles	5/8" Solid			
Front Gate (both)	5/8" Frame & Spindles			
<b>WET/DRY FEEDERS</b>			14 ga	.304 Grade
<b>CRATES</b>	1 5/16" O.D.	.100 Wall	12 ga	
<b>CRATE FEEDERS</b>			14 ga	.304 Grade
<b>NURSERY FEEDERS</b>			20 ga	.304 Grade

GAUGE OF TUBING	GAUGE TOLERANCE (INCHES)	ACTUAL WALL THICKNESS (INCHES)
14 ga	.071 - .081	0.074
13 ga	.082 - .096	0.085
12 ga	.097 - .111	0.100
11 ga	.112 - .126	0.115
10 ga	.127 - .141	0.130
9 ga	.142 - .156	0.145
8 ga	.157 - .170	0.160

## A.I. STALLS

1. **Order stall package**
  - Specify width, 22" or 24"
  - Specify 1/2" or 5/8" rod
  - Specify galvanized or bare metal or painted
  - Specify top pipe or strap
  - Specify with or without drop tube
  - Order 1 row end per row
  
2. **Order floor straps for back of stall**
  - Specify width of stall (22" or 24")
  - When calculating, leave a stall width between every strap
  - Order anchors or T-bolts, 3 per strap at back, 4 per strap at front

## OPTIONAL ITEMS

1. **Stainless Steel Trough**
  - Order 5 drive-in SS anchors (12351-100) for sow side
  - Order bolt-on leg (2070611 - Box of 10), 5 per trough or 2 per trough if cementing in aisle side of trough
  - Order 1 right end and 1 left end per row (you may order the ends alone or you may order a 10' section of trough with an end already welded in. If you order the sections with the ends, deduct 20' off the total length needed).
  - Order valve and guard, for less than 100 stalls
  
2. **Alley Gates (Front to Front Gates)**
  - Specify galvanized or bare metal.
  - Specify alley width