



FEATURES

- Panels available in all sizes suitable for loose housing, finishing, nursery, etc.
- Flexible system can be easily combined with plastic panelling.
- Shows animals well and allows for excellent ventilation.
- Durable, galvanized, animal friendly design.
- Variety of accessories available.
- Available in vertical or horizontal and in various lengths.



CANARM LTD. - Corporate Office
2157 Parkedale Ave., Brockville, ON
Canada K6V 5V6
Tel: (613) 342-5424 Fax: 1-800-263-4598

CANARM LTD. - USA Warehouse
808 Commerce Park Drive
Ogdensburg, New York, USA 13669
Tel: 1-800-267-4427 Fax: 1-800-263-4598

Arthur Manufacturing Facility
#7686 Concession 16, RR 4 Arthur, ON
Canada NOG 1A0
Tel: (519) 848-3910 Fax: (519) 848-3948

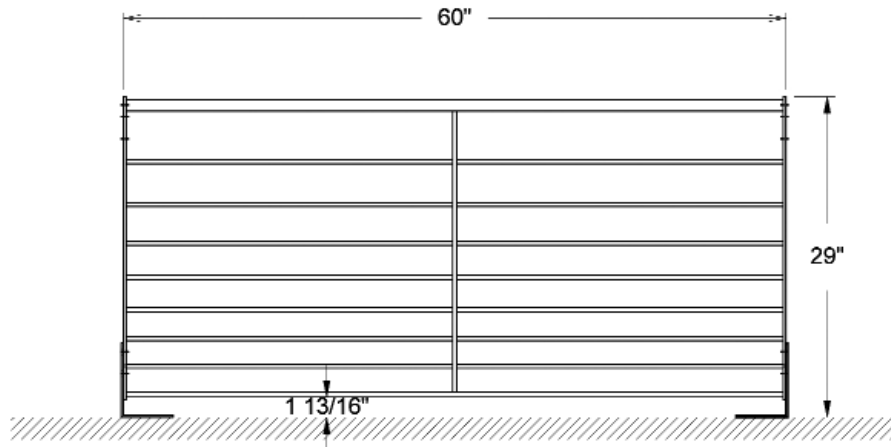
Web Site: www.canarm.com

E-Mail: agsales@canarm.ca

Subject to Change without notice.

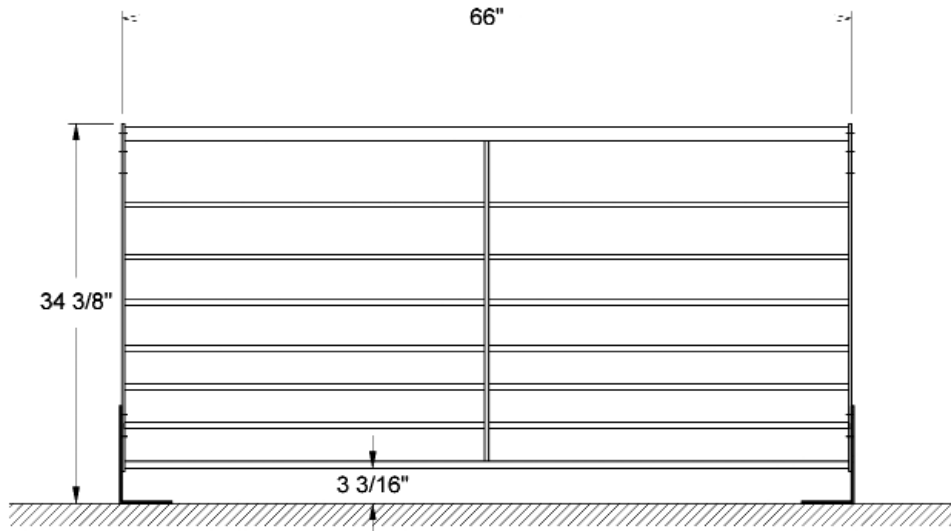
Printed in Canada

NURSERY PANEL (SPEH29-60 SHOWN) (15 LBS - 70 LBS)

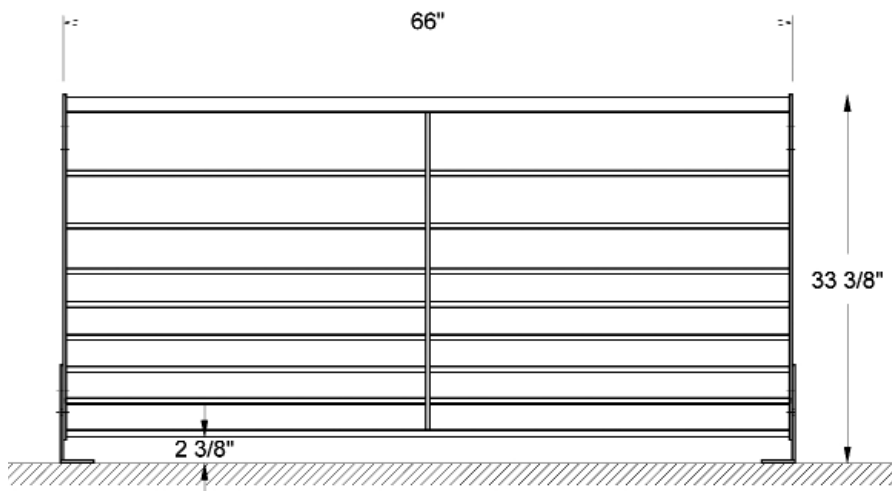



Please call for sizes and pricing.

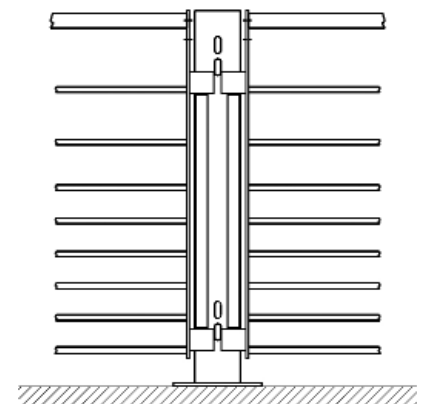
FINISHER PANEL (SPEH33-66) (60 LBS - 240 LBS)



WEAN TO FINISH PANEL (SPEWFH33-66) (15 LBS - 240 LBS)

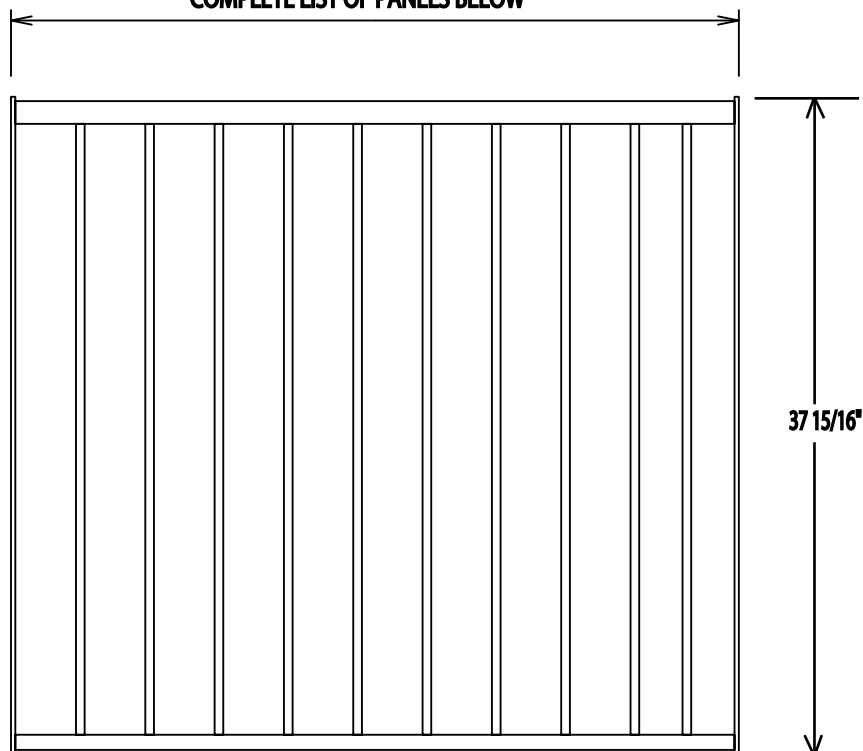


HINGE PIN SYSTEM



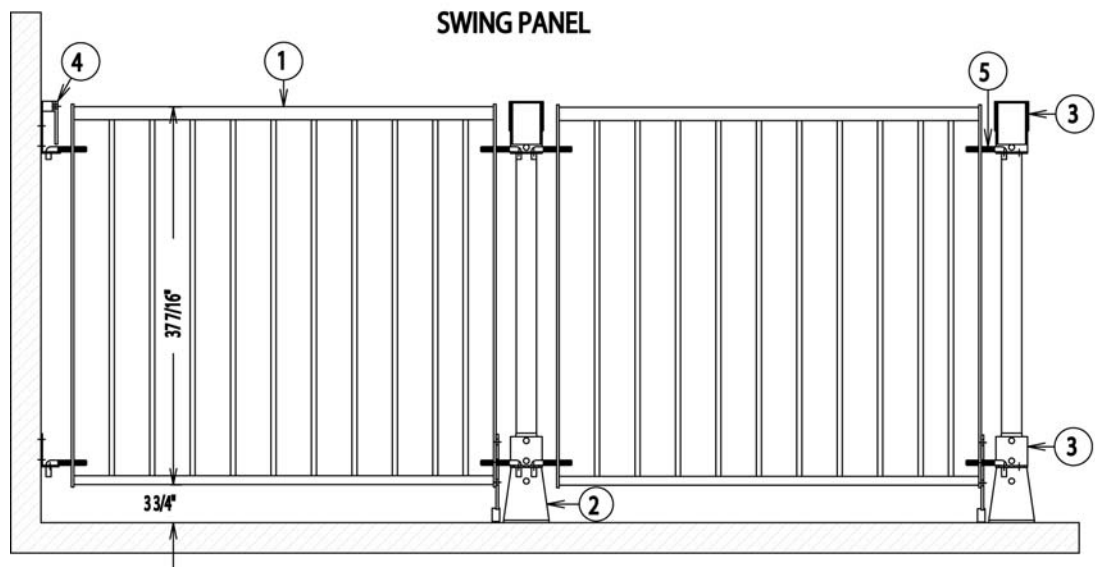
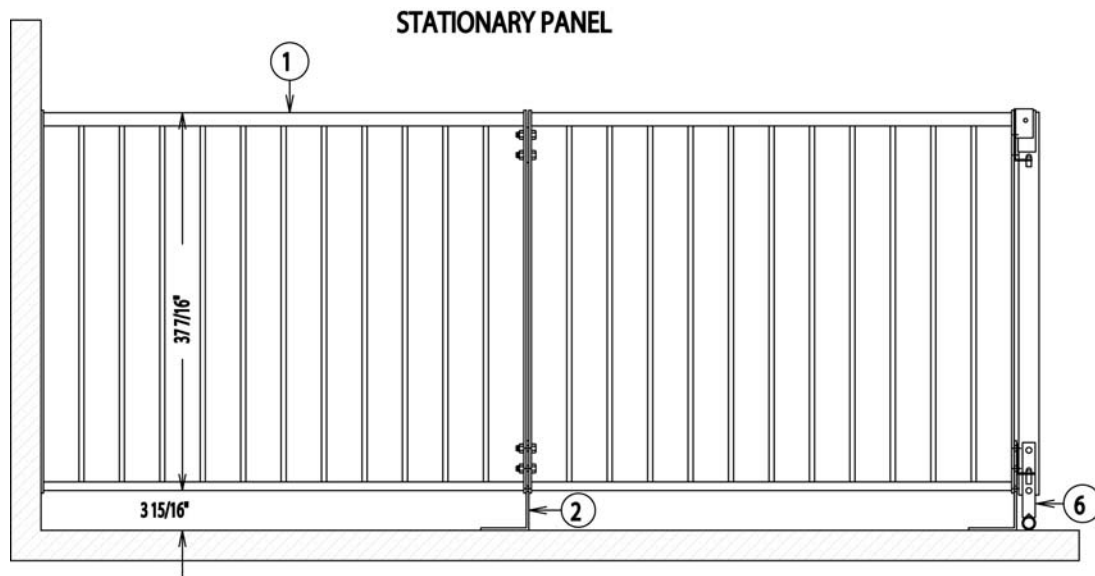
**FINISHER SPINDLE PANELS
41 1/4" FINISHED HEIGHT**

COMPLETE LIST OF PANELS BELOW



2011V42-42	42' LG. PANEL/VT/GALV./35" ROD 4" OC
2011V42-48	48" LG. PANEL/VT/GALV./35" ROD 4" OC
2011V42-54	54" LG. PANEL/VT/GALV./35" ROD 4" OC
2111V42-60	60" LG. PANEL/VT/GALV./35" ROD 4" OC
2011V42-66	66" LG. PANEL/VT/GALV./35" ROD 4" OC
2011V42-72	72" LG. PANEL/VT/GALV./35" ROD 4" OC
2011V42-78	78" LG. PANEL/VT/GALV./35" ROD 4" OC
2011V42-84	84" LG. PANEL/VT/GALV./35" ROD 4" OC
2011V42-90	90" LG. PANEL/VT/GALV./35" ROD 4" OC
2011V42-96	96" LG. PANEL/VT/GALV./35" ROD 4" OC
2011V42-102	102" LG. PANEL/VT/GALV./35" ROD 4" OC
2011V42-108	108" LG. PANEL/VT/GALV./35" ROD 4" OC
2011V42-114	114" LG. PANEL/VT/GALV./35" ROD 4" OC
2011V42-120	120" LG. PANEL/VT/GALV./35" ROD 4" OC

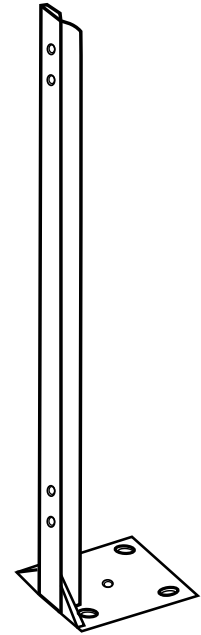
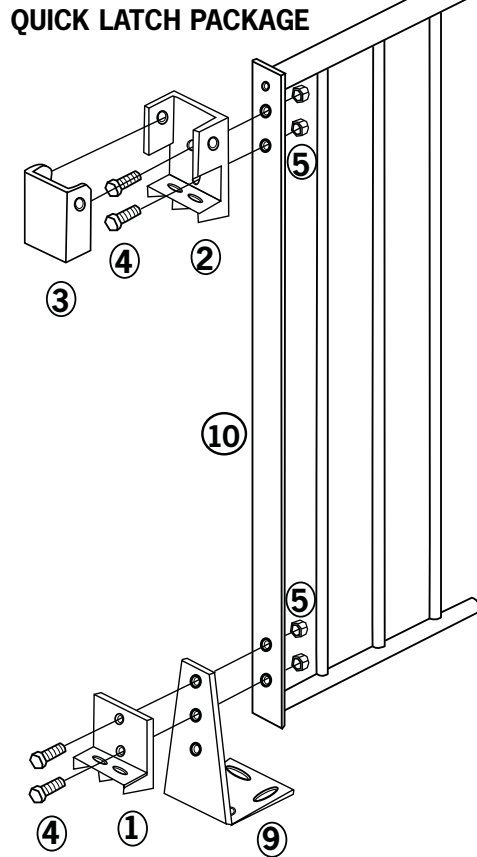
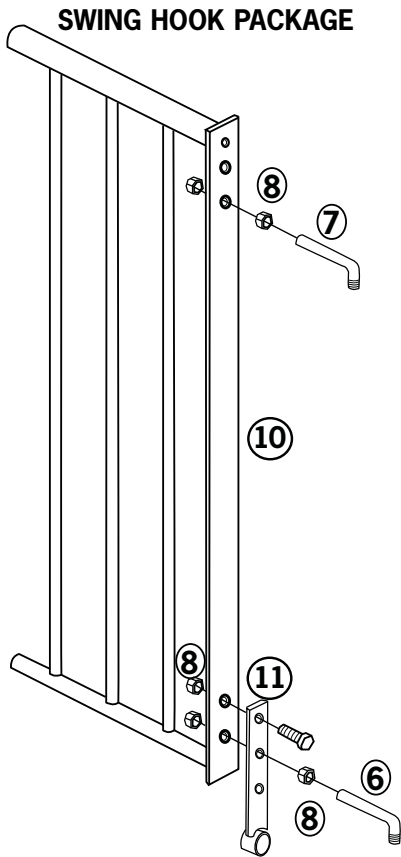
ASSEMBLY



ILLUS.	DESCRIPTION	PART #
1	42" LG. SPINDLE PANEL/VT/GALV. 35" ROD 4" OC	2011V42-42
2	LEG PKG./PANEL/BOX OF 5 (STAINLESS)	2013306-5
3	QUICK LATCH PKG./BOX OF 4 (GALV.)	2010300-4
4	WALL MOUNT FLIPPER LATCH + GUARD ANGLE/BOX OF 4	2010350-4
5	SWING HOOK PKG. c/w HARDWARE/BOX OF 5	2010340-5
6	SWING PANEL + SUPPORT + BOLT	2013309

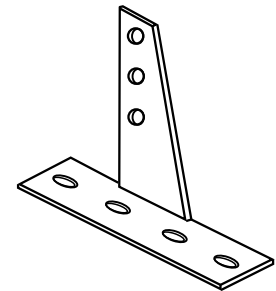
ASSEMBLY

**2013310
GALV. CHANNEL POST 41"
+ PLATE**

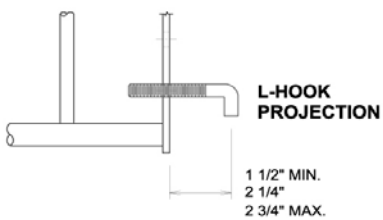


**For Spindle Applications in
place of Leg (9)**

**2013308-5
S.S. LEG PKG (12" PL) BX/5**



L-HOOK PROJECTION

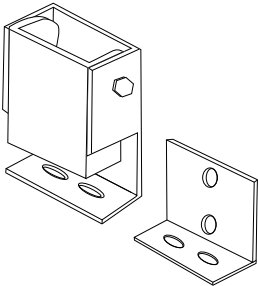


SWING PANEL SIZING

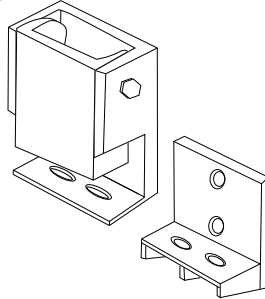
- Compared to pen width
- Measured O.C. latches
- 4 1/2" less than pen width
- 6" less than pen width
- 7" less than pen width

ILLUS.	DESCRIPTION	PART #	QTY/PKG.	PKG. NAME	NOTES
1	QUICK LATCH BOTTOM MOUNT		4		
2	QUICK LATCH TOP MOUNT		4		
3	SNAP-IN CHANNEL PC.		4	QUICK LATCH PKG. PL (2010320-4) GALV (2010300-4)	GALV. QUICK LATCH USES 1" BOLTS FOR THE TOP AND 1 1/2" BOLTS FOR THE BOTTOM
4	1/2" X 1 1/2" HEX BOLT	BOL1/2-11/2H	8		
5	1/2" LOCK NUT	NUT1/2L	8		
6	PANEL L-HOOK/LONG	2010310	10		
7	PANEL L-HOOK/SHORT	2010311	10	SWING HOOK PKG. (2010340-5)	LONG L-HOOK (1 1/8" BEND) GOES TO BOTTOM SHORT L-HOOK (3/4" BEND) GOES TO TOP
8	1/2" FLANGE NUT	NUT1/2F	20		
9	LEG, STAINLESS STEEL	2013306L			
10	PANEL, FINISHER	2011V42 SERIES			FINISHER PANELS (FASTEN LEG - USE TOP 2 HOLES) 1 1/2" BOTTOM MOUNT BOLTS c/w LEG PKG.
11	SWING PANEL SUPPORT + BOLT	2013309			

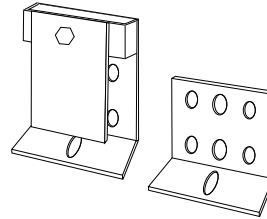
2010300-4
GALV. QUICK LATCH
(BOX OF 4)



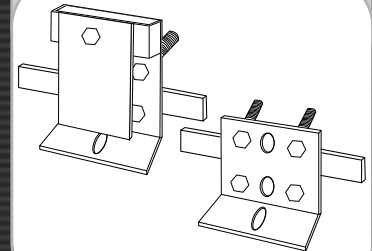
2010320-4
PLASTIC QUICK LATCH
(BOX OF 4)



2010350-4
GALV. FLIPPER LATCH
(BOX OF 4)

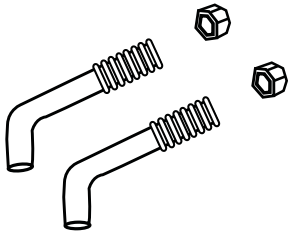


2010360-4
HDW. ONLY/SPINDLE MOUNT
LATCH (BOX OF 4)

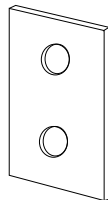


Flipper Latch is not included

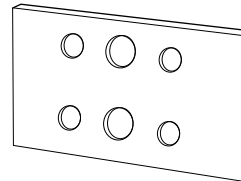
2010340
SWING HOOK PKG.



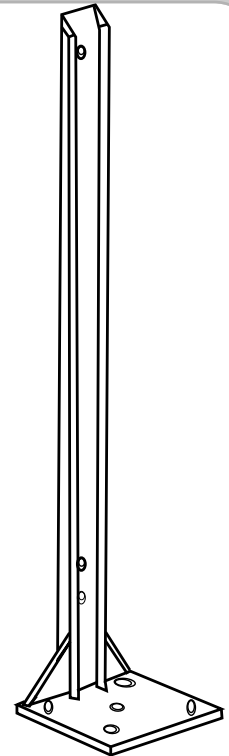
2010304-10
PANEL SPACER + HDW.
(BOX OF 10)



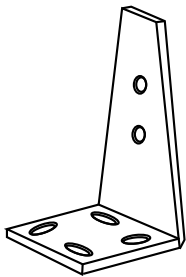
2010351-4
BACKER PLATE + HDW.
(BOX OF 4)



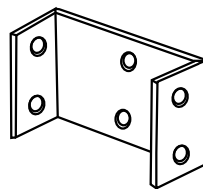
2013310
GALV. CHANNEL POST 41" LG.



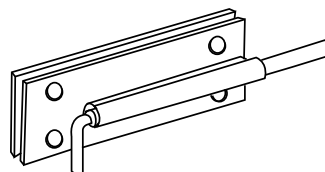
2013306-5
STAINLESS LEG (BOX OF 5)



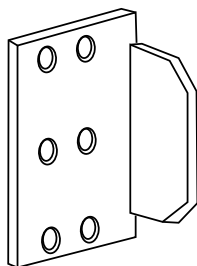
2010345-4
3-WAY/4-WAY BRACKET PKG.
(BOX OF 4)



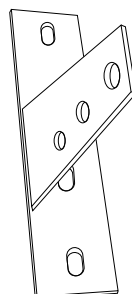
2010315
SPRING LATCH PKG. +
BACKER PLATE



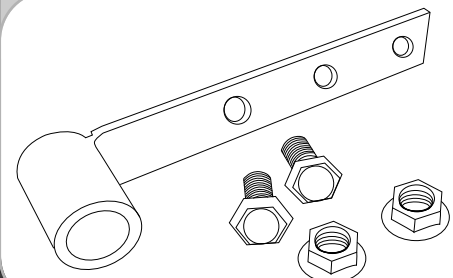
2010356
FLIPPER GUARD ANGLE



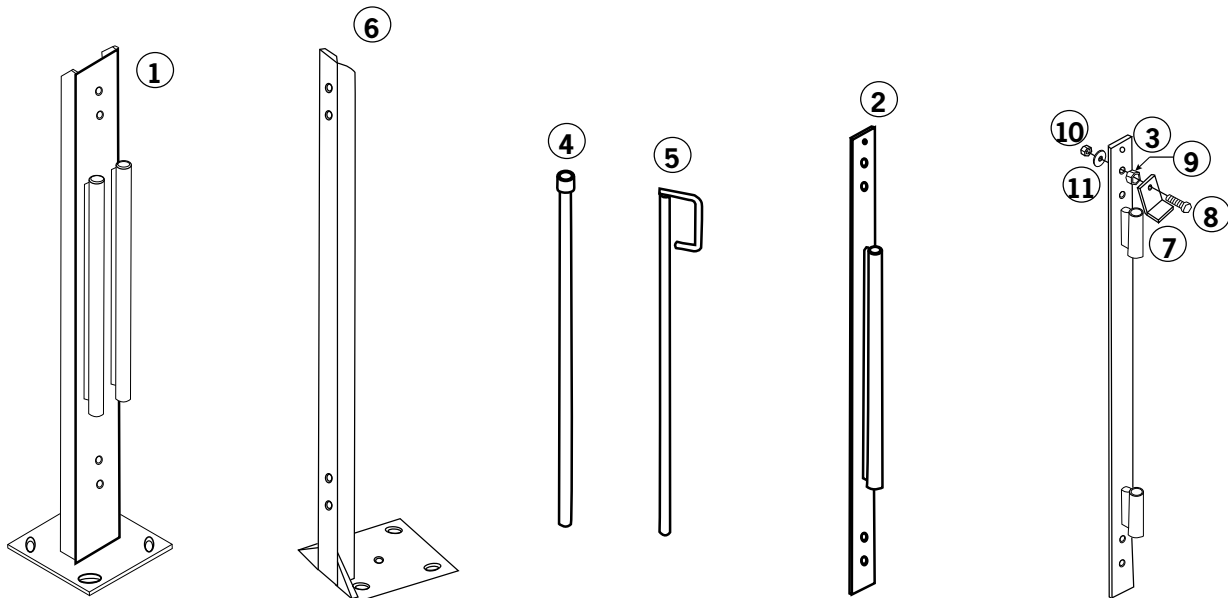
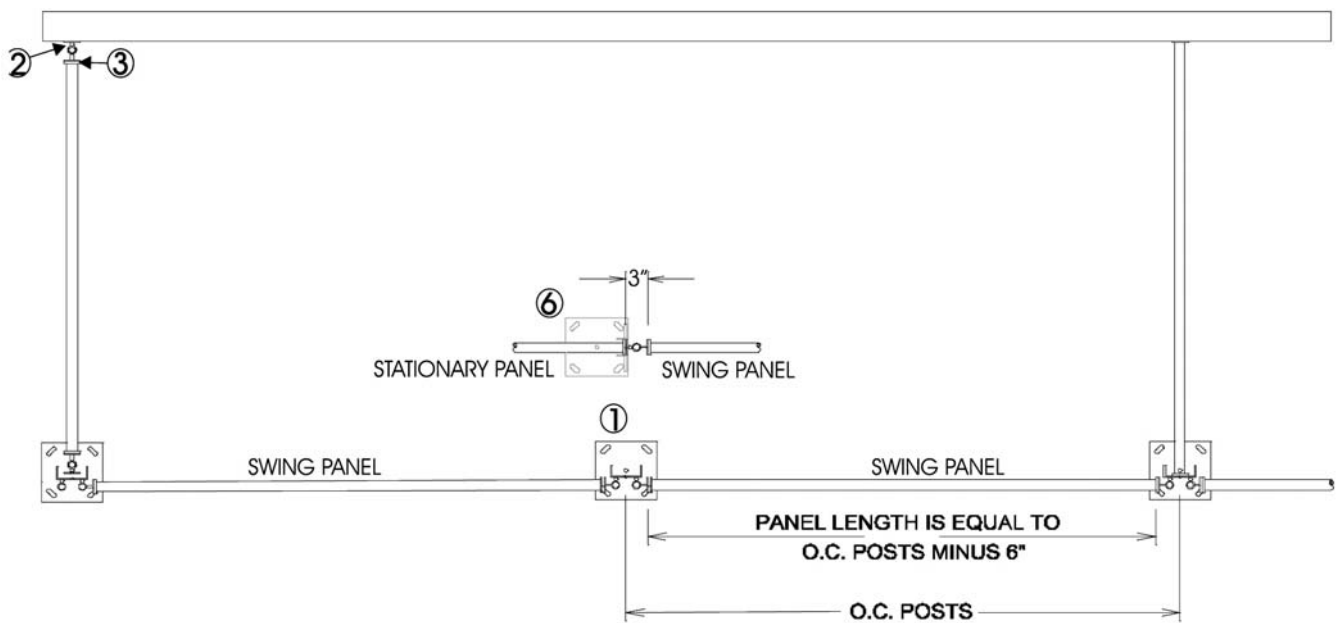
2013308-5
S.S. LEG PKG. WITH 12"
PLATE (BOX OF 5)



2013309
SWING PANEL SUPPORT
+ BOLT



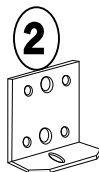
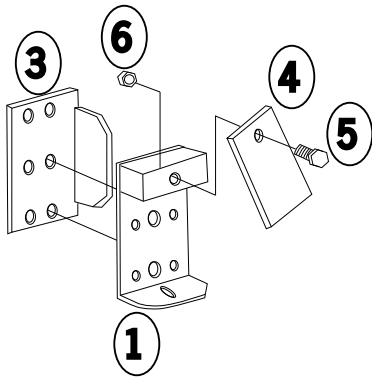
ASSEMBLY



ILLUS.	DESCRIPTION	PART #	PKG. NAME	NOTES
1	DOUBLE SWING CHANNEL POST 41" LG	2013312		<ul style="list-style-type: none"> PANEL HINGE STRAP (2 SLEEVES) SHOULD ALWAYS BE BOLTED TO PANEL. NOT WALL OR POST
2	PANEL/WALL HINGE STRAP	2010312		
3	PANEL HINGE STRAP (2 SLEEVES)	2010314		
4	3/4" X 30" PIN FOR PANEL HINGE STRAP	2010313		
5	5/8" PIN 27" LG WITH HANDLE	2010314-P		
6	GALV. CHANNEL POST 41" LG + PLATE & GUSSET	2013310		<ul style="list-style-type: none"> FLIPPER SHOULD BE MOUNTED ON THIS HINGE BRACKET AS WELL
7	FLIPPER	N/A	FLIPPER + HDW/PIN PANEL (2010313-F)	
8	3/8" X 1 3/4" HEX BOLT	BOL3/8-13/4H		
9	3/8" FLANGE NUT	NUT3/8FL		
10	3/8" NYLON LOCK NUT	NUT3/8N		
11	3/8" FLAT WASHER	WAS3/8		

**2010350-4
FLIPPER LATCH *WALL MOUNT - BOX OF 4**

ASSEMBLY



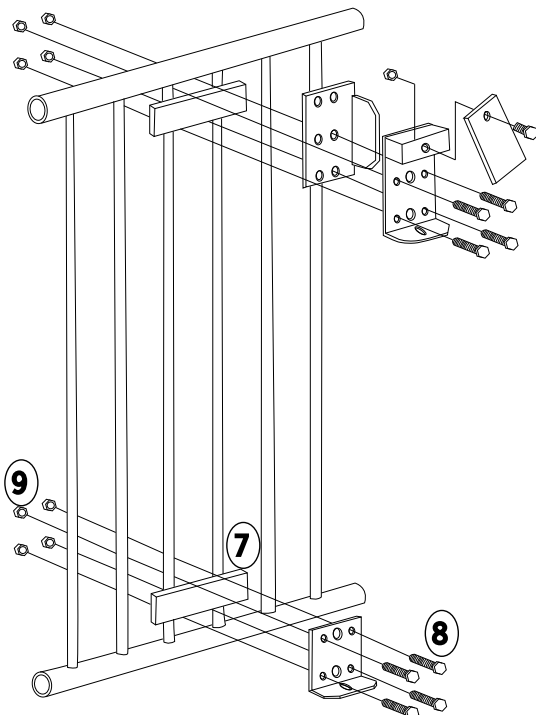
WALL MOUNT/PANEL END FLIPPER LATCH

- 1) Bolt flipper to top bracket.
- 2) Guard angle installs on pig side of latch.
* Can be installed right or left*
- 3) Install top & bottom brackets at a height to match holes on swing panel.

ILLUS.	DESCRIPTION	PART #	QTY. PER BOX
1	FLIPPER MOUNT TOP PC.	2010352	4
2	FLIPPER MOUNT BOTTOM PC.	2010353	4
3	FLIPPER LATCH GUARD	2010356	4
4	FLIPPER FOR LATCH	2010354A	4
5	3/8" X 1" HEX BOLT	BOL3/8-1H	4
6	3/8" LOCK NUT	NUT3/8LSS	4
N/S	FLIPPER MOUNT BACKER PLATE	2010351	—

**2010360-4
FLIPPER LATCH *PANEL MOUNT - BOX OF 4**

ASSEMBLY



FLIPPER LATCH MID PANEL MOUNT

- 1) Bolt flipper to top bracket.
- 2) Guard angle installs on pig side of latch.
* Can be installed right or left*
- 3) Bolt flipper mounts back to back using the 6" flat bar as a spacer only. Use a backer plate at the end of row.

*** Install brackets at a height to match holes in swing panel**

ILLUS.	DESCRIPTION	PART #	QTY. PER BOX
7	SPACER FOR FLIPPER MOUNT	2010355	8
8	3/8" X 2" HEX BOLT	BOL3/8-2H	16
9	3/8" FLANGE NUT	NUT3/8FL	16



FEATURES

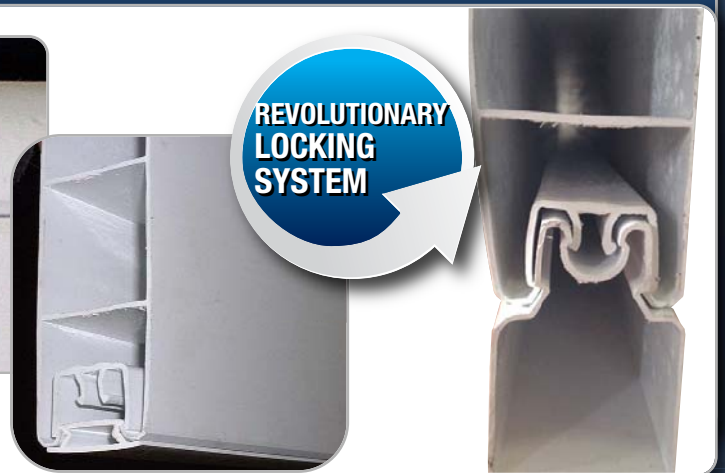
- No glue needed and will not come apart.
- Made of extruded, rigid PVC.
- Durable - will not rust or rot.
- Sanitary - will not harbor bacteria.
- Smooth edges makes for a very animal friendly design.
- Easy to install.
- Use for pen partitions, walls and doors.
- Very versatile. Suitable for new construction or existing structure renovations.
- Makes a room very bright and clean.
- No external support required.
- Plank is 2" x 10". Available in 18', 20' and 24' lengths.
- Easily cut to any required size.

EASY TO INSTALL

A simple top cap finishes off the top of your panels and prevents dirt accumulation.



Specially designed bottom plugs prevent dirt build-up on the bottom of your planking.



**REVOLUTIONARY
LOCKING
SYSTEM**

CANARM LTD. - Corporate Office
2157 Parkedale Ave., Brockville, ON
Canada K6V 5V6
Tel: (613) 342-5424 Fax: 1-800-263-4598

CANARM LTD. - USA Warehouse
808 Commerce Park Drive
Ogdensburg, New York, USA 13669
Tel: 1-800-267-4427 Fax: 1-800-263-4598

Arthur Manufacturing Facility
#7686 Concession 16, RR 4 Arthur, ON
Canada NOG 1A0
Tel: (519) 848-3910 Fax: (519) 848-3948

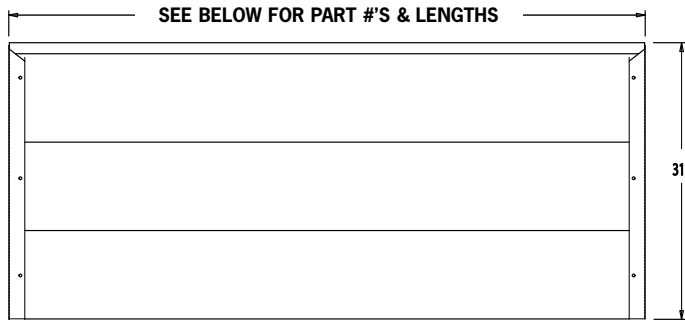
Web Site: www.canarm.com

E-Mail: agsales@canarm.ca

Subject to Change without notice.

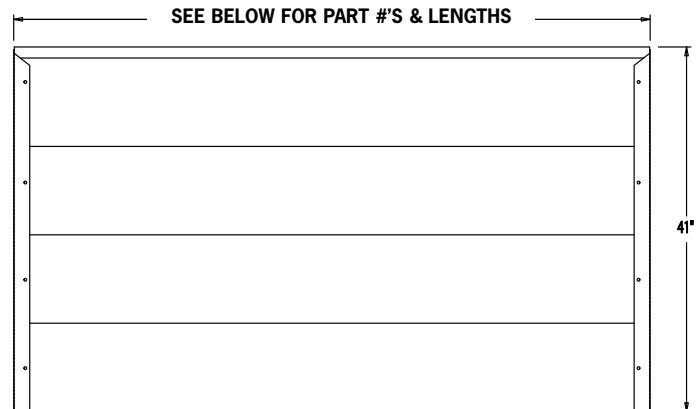
Printed in Canada

GROWER PLASTIC STATIONARY PANELS 31" FINISHED HEIGHT



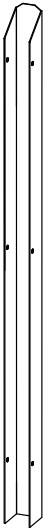
GROWER PANELS = 3 PLANKS + 1 CAP
- 42" LG. (2013331-42) TO 120" (2013331-120)

FINISHER PLASTIC STATIONARY PANELS 41" FINISHED HEIGHT

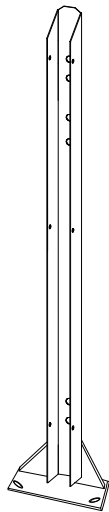


FINISHER PANELS = 4 PLANKS + 1 CAP
- 42" LG. (2013336-42) TO 120" (2013336-120)

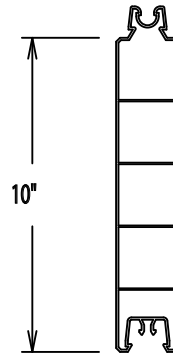
2013336
SS WALL CHANNEL
41" LG. (29" OC)



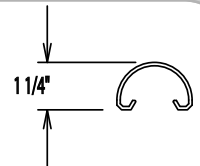
2013336PL
SS CHANNEL 41" LG.
c/w PLATE



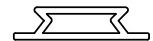
2013024
PLASTIC PLANK 10" X 24'
AVAILABLE IN BUNDLES
AND SINGLE PCS.



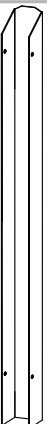
2013124
PLASTIC CAP 1.5" X 24'
AVAILABLE IN BUNDLES
AND SINGLE PCS.



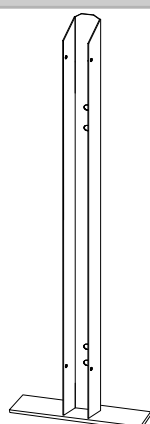
2013224
BOTTOM PLUG/PLNK 24' LG
AVAILABLE IN BUNDLES AND
SINGLE PCS.



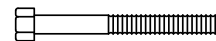
2013329
SS WALL CHANNEL
31" LG. (19" OC)



2013329PL
SS CHANNEL 31" LG.
c/w PLATE



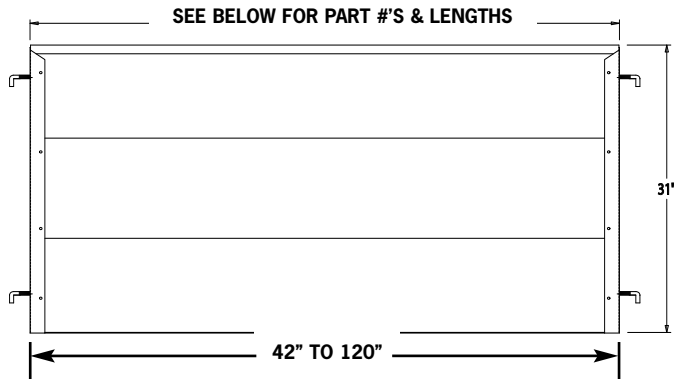
91B1/4-21/2
1/4" X 2 1/2" SS HEX BOLT (PKG OF 50)



91N1/4L
1/4" SS LOCK NUT (PKG OF 50)

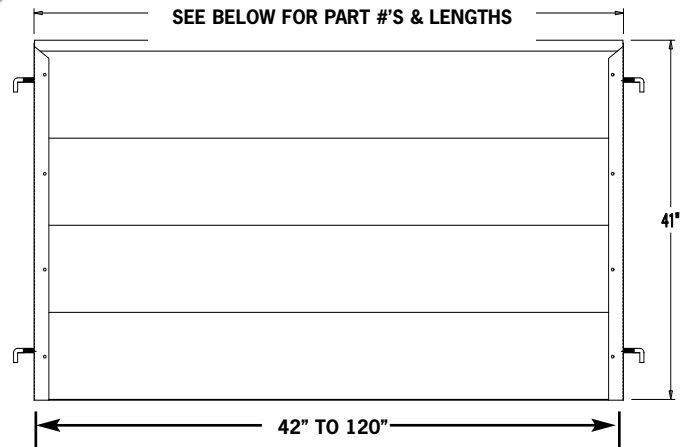


GROWER PLASTIC STATIONARY PANELS
31" FINISHED HEIGHT



GROWER PANELS = 3 PLANKS + 1 CAP + 2 CHANNELS + 4 HOOKS
- 42" LG. (2013631-42) TO 120" (2013631-120)

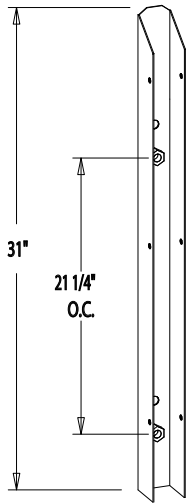
FINISHER PLASTIC STATIONARY PANELS
41" FINISHED HEIGHT



FINISHER PANELS = 4 PLANKS + 1 CAP + 2 CHANNELS + 4 HOOKS
- 42" LG. (2013636-42) TO 120" (2013636-120)

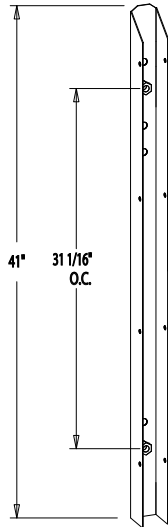
2013329SW

SS SWING CHANNEL
31" LG. (21 1/4" OC NUT)



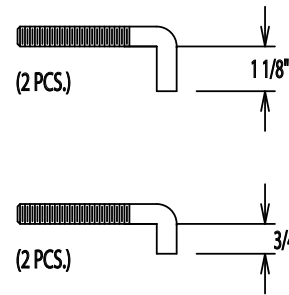
2013336SW

SS SWING CHANNEL
41 1/4" LG. (31 1/16" OC NUT)

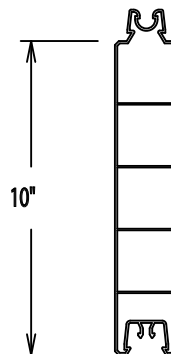


2012340

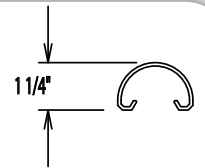
PVC SWING HOOK PKG. (4 HOOKS)



2013024
PLASTIC PLANK 10" X 24'
AVAILABLE IN BUNDLES
AND SINGLE PCS.

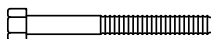


2013124
PLASTIC CAP 1.5" X 24'
AVAILABLE IN BUNDLES
AND SINGLE PCS.



91B1/4-21/2

1/4" X 2 1/2" SS HEX BOLT (PKG OF 50)

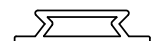


91N1/4L

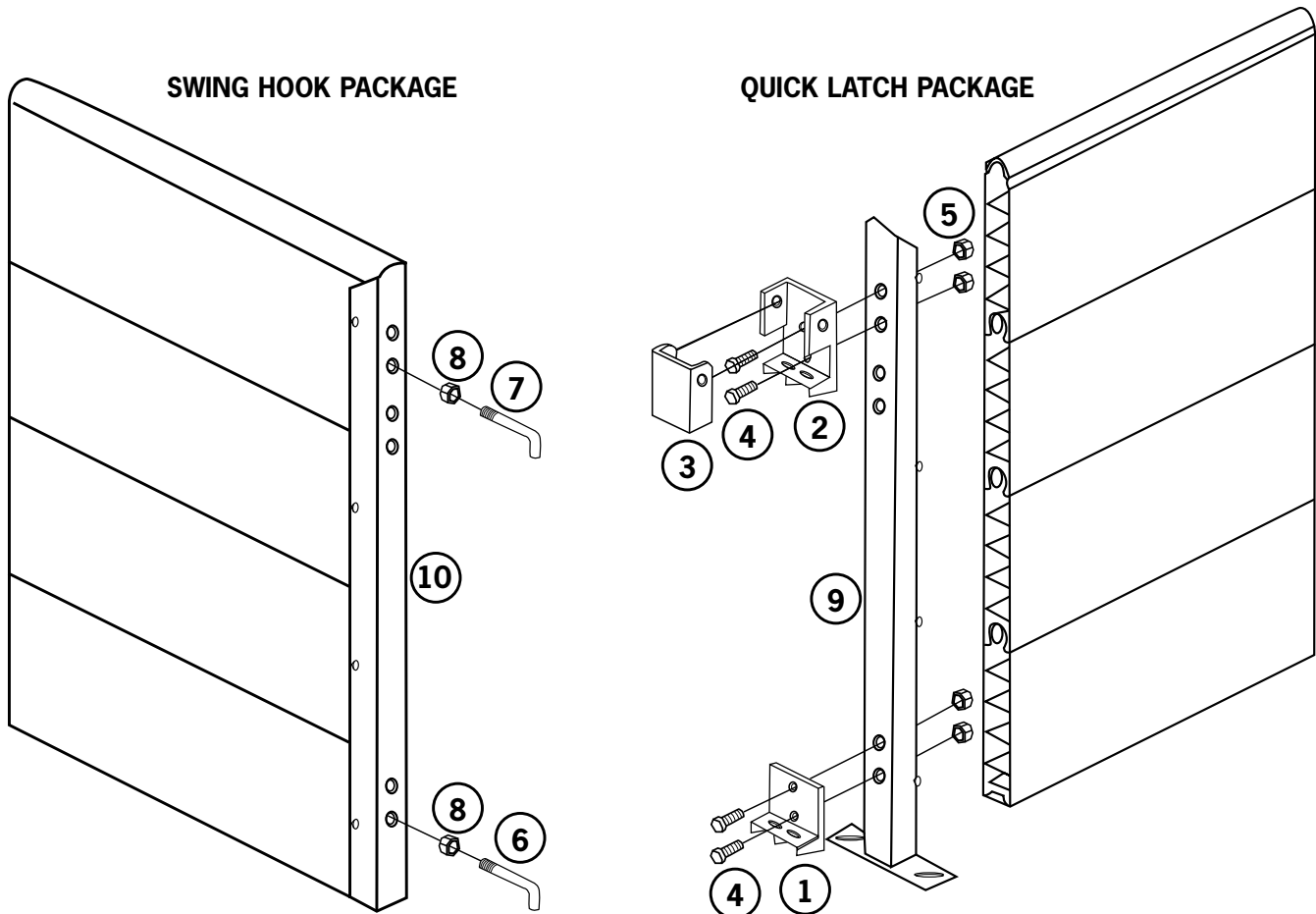
1/4" SS LOCK NUT (PKG OF 50)



2013224
BOTTOM PLUG/PLNK 24' LG
AVAILABLE IN BUNDLES AND
SINGLE PCS.



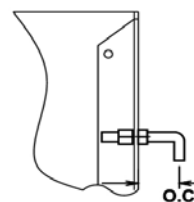
ASSEMBLY



ILLUS.	DESCRIPTION	PART #	QTY. PER PKG.	PKG. NAME	NOTES
1	QUICK LATCH BOTTOM MOUNT		4	QUICK LATCH PKG. PL (2010320-4) GALV (2010300-4)	GALV. QUICK LATCH USES 1" BOLTS FOR THE TOP AND 1 1/2" BOLTS FOR THE BOTTOM.
2	QUICK LATCH TOP MOUNT		4		
3	SNAP-IN CHANNEL PC.		4		
4	1/2" X 1 1/2" HEX BOLT	BOL1/2-11/2H	16	SWING HOOK PKG. 2012340	LONG L-HOOK (1 1/8" BEND) GOES TO BOTTOM. SHORT L-HOOK (3/4" BEND) GOES TO TOP.
5	1/2" LOCK NUT	NUT1/2L	16		
6	PANEL L-HOOK / LONG	2010310	2		
7	PANEL L-HOOK / SHORT	2010311	2		
8	1/2" FLANGE NUT	NUT1/2F	4		
9	SS CHANNEL 31" LG. + PLATE	2013329PL	STATIONARY		
9	SS CHANNEL 41" LG. + PLATE	2013336PL	STATIONARY		
N/S	SS CHANNEL / WEANER 31"	2013329	STATIONARY		
N/S	SS CHANNEL FINISHER 41"	2013336	STATIONARY		
10	SS CHANNEL / WEANER 31"	2013329SW	SWING		
10	SS CHANNEL / WEANER 41"	2013336SW	SWING		

NOTE: Plastic latch to be used on nursery panel only

POSITIONING OF L-HOOKS



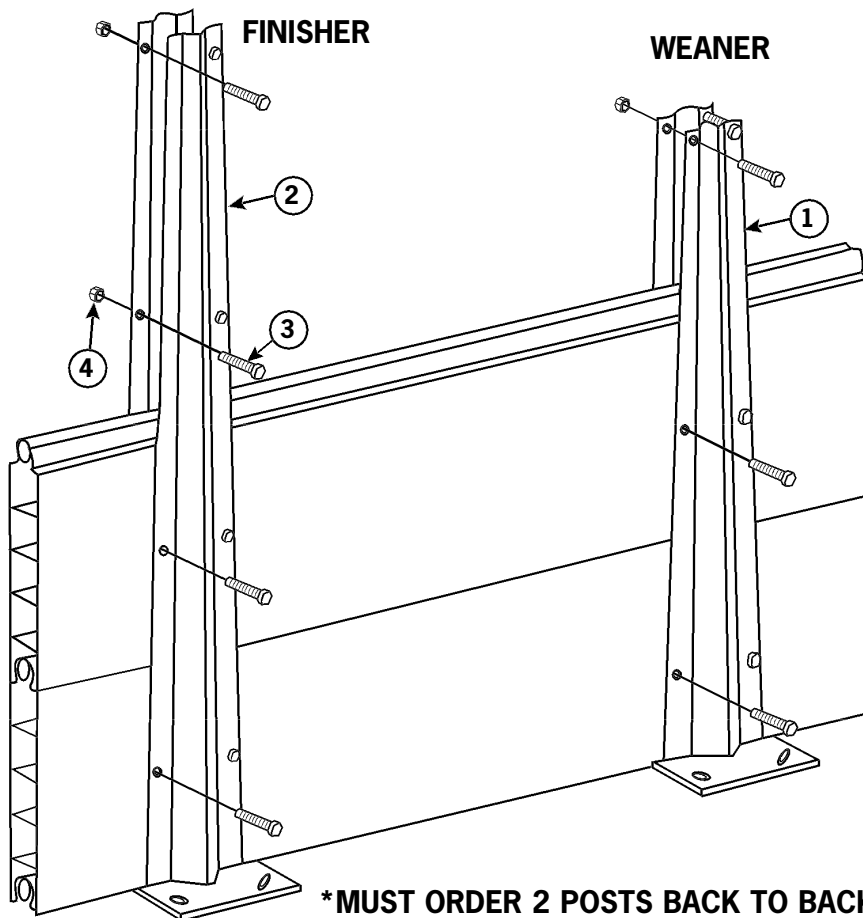
L-HOOK PROJECTION

1 1/2" MIN.
2 1/4" STD.
2 3/4" MAX.

SWING PANEL SIZING - COMPARED TO PEN WIDTH - MEASURED O.C. LATCHES

4 1/2" LESS THAN PEN WIDTH
6" LESS THAN PEN WIDTH
7" LESS THAN PEN WIDTH

ASSEMBLY

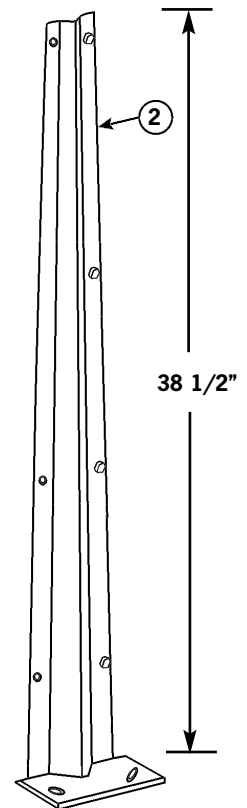


***MUST ORDER 2 POSTS BACK TO BACK**

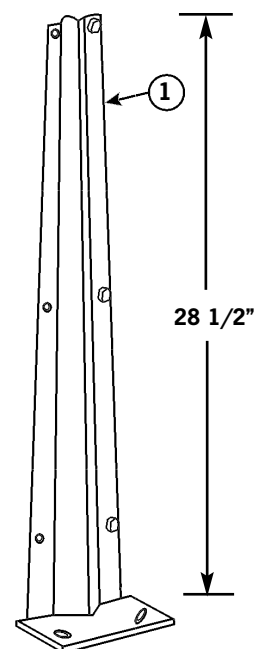
ILLUS.	DESCRIPTION	PART #
1	S.S. 28.5" STIFFENER POST ONLY	2013301
2	S.S. 38.5" STIFFENER POST ONLY	2012300
3	1/4" X 2 3/4" S.S. HEX BOLT	91B1/4-21/2
4	1/4" S.S. FLANGE NUT	91N1/4

BOLTS & NUTS ARE NOT INCLUDED WITH STIFFENER POSTS.

2012300 FINISHER POST



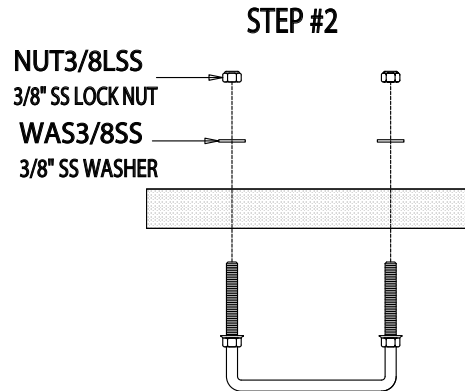
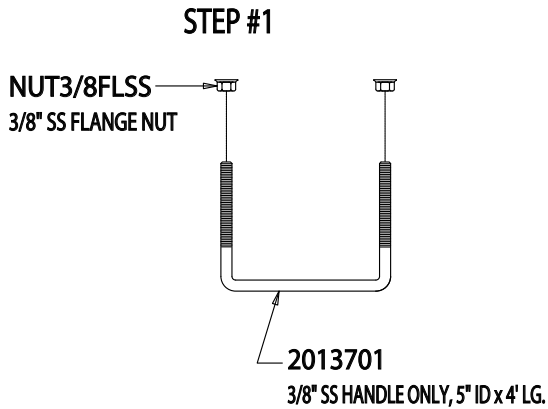
2012301 WEANER POST



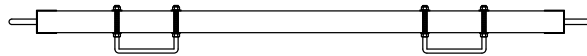
ASSEMBLY OF STIFFENER POST

1. Place a stiffener post on both sides of 2" plastic plank.
2. Drill holes in plastic to match pre-drilled holes in stiffener post.
3. Bolt posts together, squeezing plastic in between.

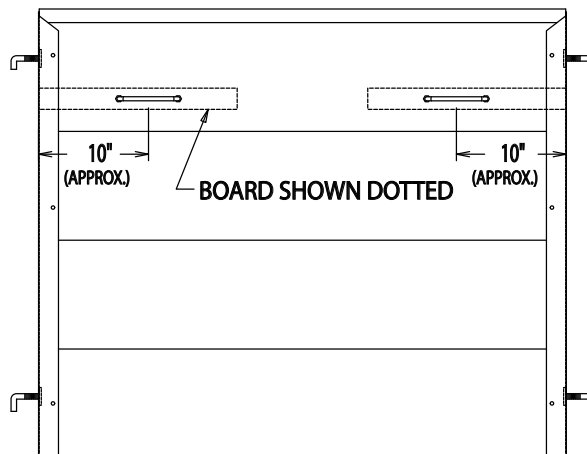
2013700



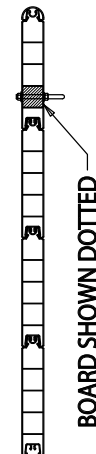
INSTALLATION



INSTALLED VIEW



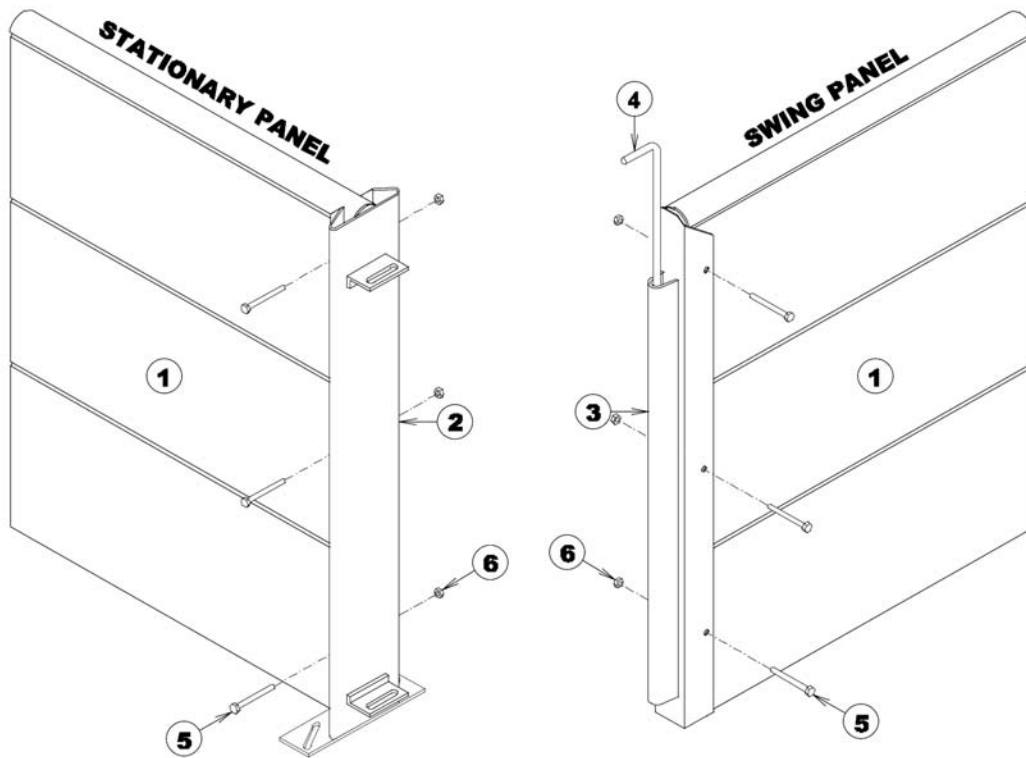
END VIEW



INSTALLATION INSTRUCTIONS

1. Install 1 13/16" x 18" lg. board into both ends of plastic.
2. Bolt on channel ends.
3. Refer to Step #1 in Assembly diagram above
Thread 3/8" S.S. flange nuts to handle. (Flange faces out.)
4. Drill holes in plastic to match handle (approximately 5 3/8" o.c.).
NOTE: Holes must be drilled through board for strength.
5. Refer to Step #2 in Assembly diagram above.
Fasten handles to panel as shown, approximately 10" from each end.

ASSEMBLY



ILLUS.	DESCRIPTION	PART #
1	31" HIGH PLASTIC PANEL	—
N/S	41" HIGH PLASTIC PANEL	—
2	31" LG. X 4" WIDE S.S. CHANNEL POST	2013329CP
N/S	41" LG. X 4" WIDE S.S. CHANNEL POST	2013336CP
3	31" LG. S.S. CHANNEL + 25" HINGE	2013329CH
N/S	41" LG. S.S. CHANNEL + 30" HINGE	2013336CH
4	3/8" X 28" GALV. PIN	2013329P
N/S	7/16" X 33 1/2" LG. GALV. PIN	2013336P
5	1/4" X 2 1/2" S.S. HEX BOLT	91B1/4-21/2
6	1/4" S.S. FLANGE NUT	91N1/4

ASSEMBLY INSTRUCTIONS

1. Cut plastic panels to desired length.
Snap 3 or 4 pieces together to make a weaner or finisher panel.
2. Slide channel over plastic panel.
3. Drill out holes in plastic to match channels.

Weaner panel = 3 planks + 1 top cap

Finisher panel = 4 planks + 1 top cap

WEANER "PIN-IN" CHANNELS

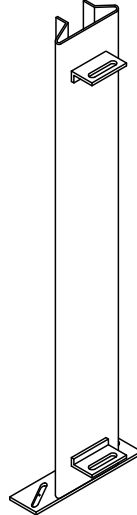
2013329CH

S.S. 31" LG. CHANNEL + 25" HINGE



2013329CP

S.S. 31" LG. x 4" W CHANNEL POST



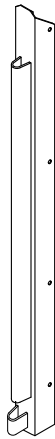
2013329W

S.S. 28" LG. WALL BRACKET OFFSET



FINISHER "PIN-IN" CHANNELS

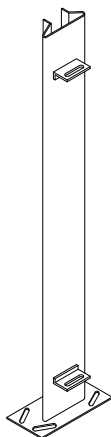
2013336CH - S.S. 41" LG. CHANNEL + 30" HINGE



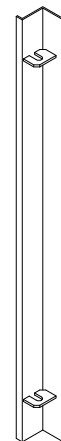
2013336W - S.S. 32" LG. WALL BRACKET OFFSET



2013336CP - S.S. 41" LG. x 4" WIDE CHANNEL POST



2013336A - S.S. 38" LG. CORNER ANGLE (CEMENT IN)



SPINDLE PANELS - QUICK LATCH SYSTEM

1. **Order panels** - Order panel length required
2. **Order quick latch packages**
 - one for each fixed panel end where swinging panels meet
 - galvanized latches must be used for the 41" series of panels
3. **Order flipper latches**
 - one for each swinging panel at a wall
 - order anchor bolts for flipper latches – 4 per latch
4. **Order swing hook packages**
 - one package of 4 hooks for each swinging panel
 - N.B.** There are 5 packages of 4 in the spindle package of swing hooks. The hooks for plastic panels come as a single package of 4.
5. **Order leg packages** - as required at ends of panels and joints of fixed panels
6. **Order panel spacers** - one required at each fixed panel joint
7. **Order anchors**
 - anchor bolts or T-bolts for legs
 - as required for fixed panels and wall brackets on walls

OPTIONAL PARTS:

1. **Galvanized Channel post + plate & gussets (2013310)** – can be used at panel joints when extra strength is required
2. **Fixed bracket (3-way/4-way)** - two for each fixed panel intersection (bracket is approximately 6" wide o.d.)
3. **Pin-in packages for feeders**

SPINDLE PANELS - PIN IN SYSTEM (41" SERIES PANELS)

1. **Order panels**
 - "41" series (finisher/breeder 35" rod length, 4" o.c., 41.25" overall – from floor to top of top pipe)
 - deduct 6" o.c. for swing panel with hinge straps etc.
2. **Order posts and wall hinge strap**
 - one double swing channel post, where a stationary (or swing) panel meets 2 swinging panels
 - order wall straps at each wall
3. **Order panel hinge straps and pins**
 - one for each swinging panel at a wall
 - order anchor bolts for straps – 2 per strap
 - order 2 hinge straps and 2 pins per gate

OPTIONAL PARTS:

1. Pin-in packages for feeders

PLASTIC PANELS

- 1. Order panels**
 - can be ordered as kits, specify height & stationary or swing
 - 31" weaner height
 - 41" finisher height
 - OR can be ordered as parts
 - bundles of plastic plank, 3 planks per 31" panel,
 - 4 planks per 41" panel

IF ORDERING AS PARTS, THE FOLLOWING IS REQUIRED:

- 2. Order channels**
 - wall channels at walls
 - swing channels for swing panels (2 per panel)
 - channels + plate, use these at ends of panels where swing panels meet
 - feeder channels, to be used at feeder (31" panels only)
- 3. Order quick latch packages**
 - one for each fixed panel end where swinging panels meet
 - galvanized latches to be used for the 41" series of panels
- 4. Order flipper latches** - one for each swinging panel at a wall
- 5. Order swing hook packages**
 - one package for each swinging panel, use the PVC swing hook package
- 6. Order leg packages** - as required at ends of panels
- 7. Order stiffener posts** - required where stationary panel is longer than 10' (31" series), 8' (41" series)
- 8. Order anchors**
 - anchor bolts or T-bolts for legs
 - as required for fixed panels at walls
 - as required for flipper latches (2 per latch)
- 9. Order bolts & nuts**
 - 1/4" X 2 1/2" – 3 per channel for 31" series panels
 - 1/4" X 2 1/2" – 4 per channel for 41" series panels