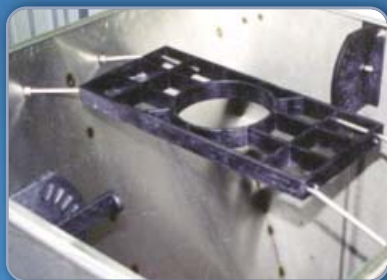


NURSERY FEEDERS

FEATURES

- Easily adjusted feed flow.
- Stainless steel construction.
- Fittings and bolts inside feeder are stainless steel.
- Double-sided and single-sided available.
- Available in 24", 30", 36", 42", 48" & 60" lengths.



CANARM LTD. - Corporate Office
2157 Parkedale Ave., Brockville, ON
Canada K6V 5V6
Tel: (613) 342-5424 Fax: 1-800-263-4598

CANARM LTD. - USA Warehouse
808 Commerce Park Drive
Ogdensburg, New York, USA 13669
Tel: 1-800-267-4427 Fax: 1-800-263-4598

Arthur Manufacturing Facility
#7686 Concession 16, RR 4 Arthur, ON
Canada NOG 1A0
Tel: (519) 848-3910 Fax: (519) 848-3948

Web Site: www.canarm.com

E-Mail: agsales@canarm.ca

Subject to Change without notice.

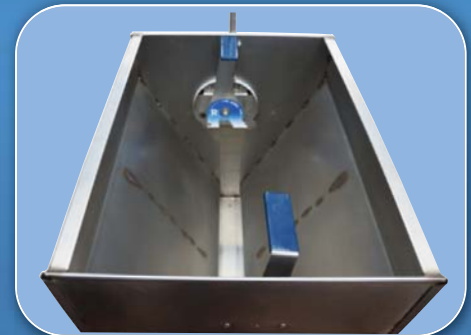
Printed in Canada

WET/DRY FEEDERS

FEATURES

- Innovative R Adjust System
- Feeder is 36" tall** which means greater hopper capacity
- Feeder Holes 15" Wide** to accommodate heavier finishing weights.
- Available with 2, 3, 4 and 5 holes per side (30", 45", 60" and 75" wide feeders**)
- Feeder has a low 4 3/4" front lip and wide feed spaces to provide optimal feed access and minimum waste. The wide feed space allows pigs to eat straight at the feeder rather than at an angle that can block feed spaces.
- The overall larger size promotes efficiency
- Added headroom allows larger pigs to stand and eat more naturally
- 100%, #304 stainless steel with fully hemmed edges and reinforced corners

** Custom sizes available on request.



TOP VIEW

R ADJUST TECHNOLOGY

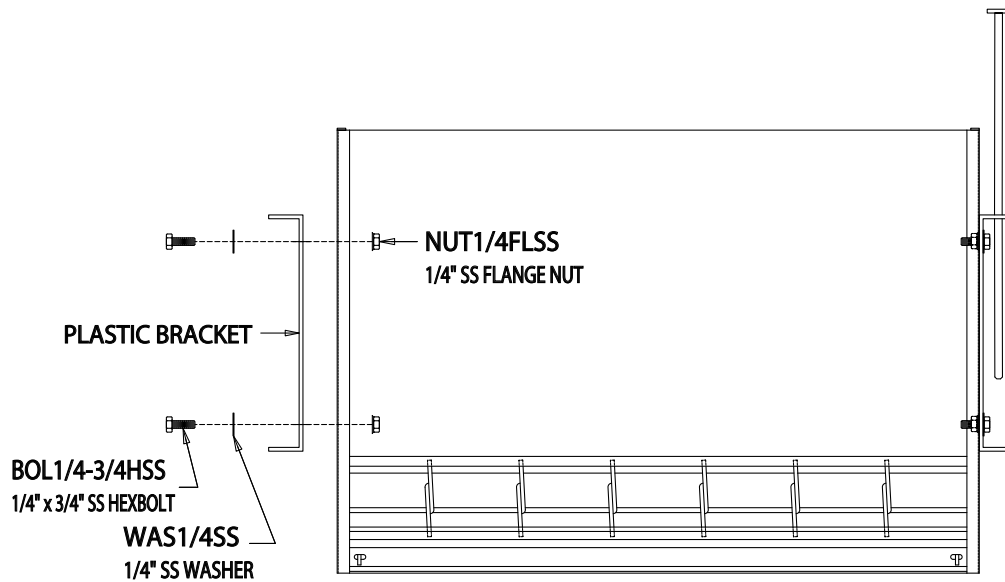
The Wet/Dry Feeder offers the patent pending **R Adjust™** with easy-to-read technology. **R Adjust** gives you infinite power to control feed costs and maximize consumption across your entire production system.



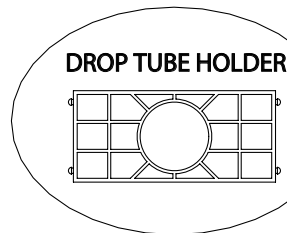
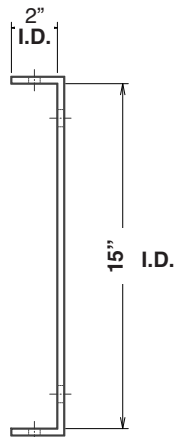
BENEFITS

- Adjustment moves smoothly and easily to fine-tune feeder settings for maximum feed efficiency.
- Easy-to-read numeric dial allows for consistent and precise settings from feeder to feeder.
- No clicks or ratcheting.

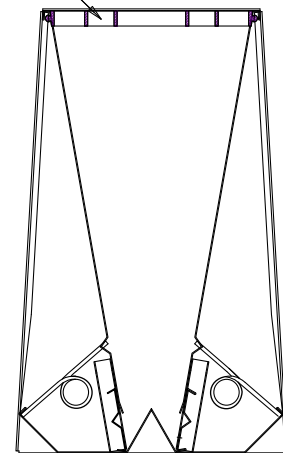
ASSEMBLY



2080205
SS Nursery Feeder Bracket
(replacement) Only



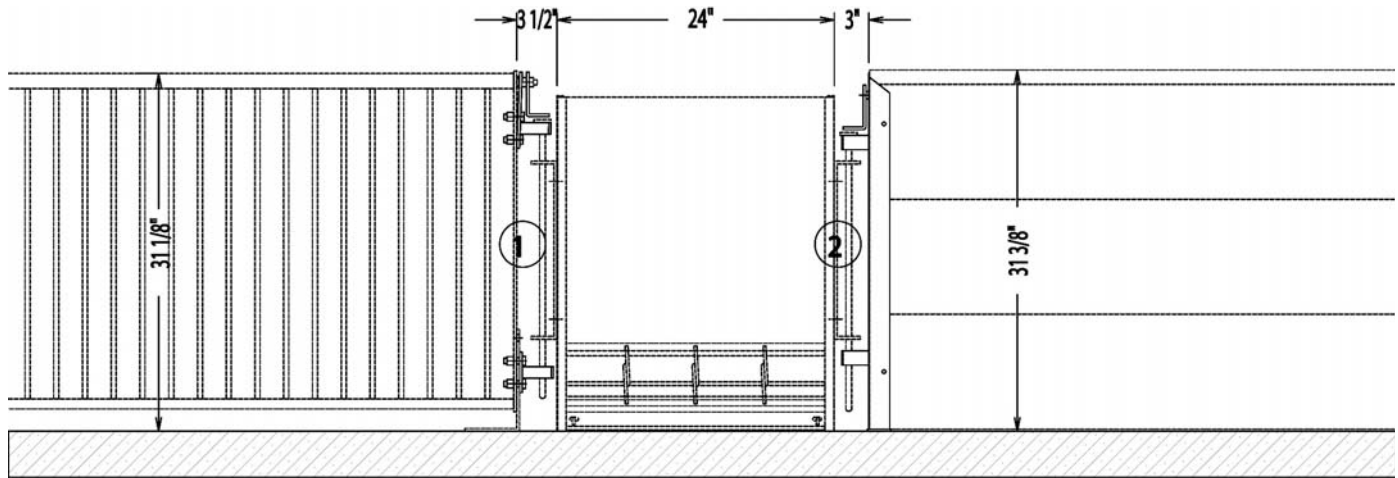
SIDE VIEW



ASSEMBLY INSTRUCTIONS

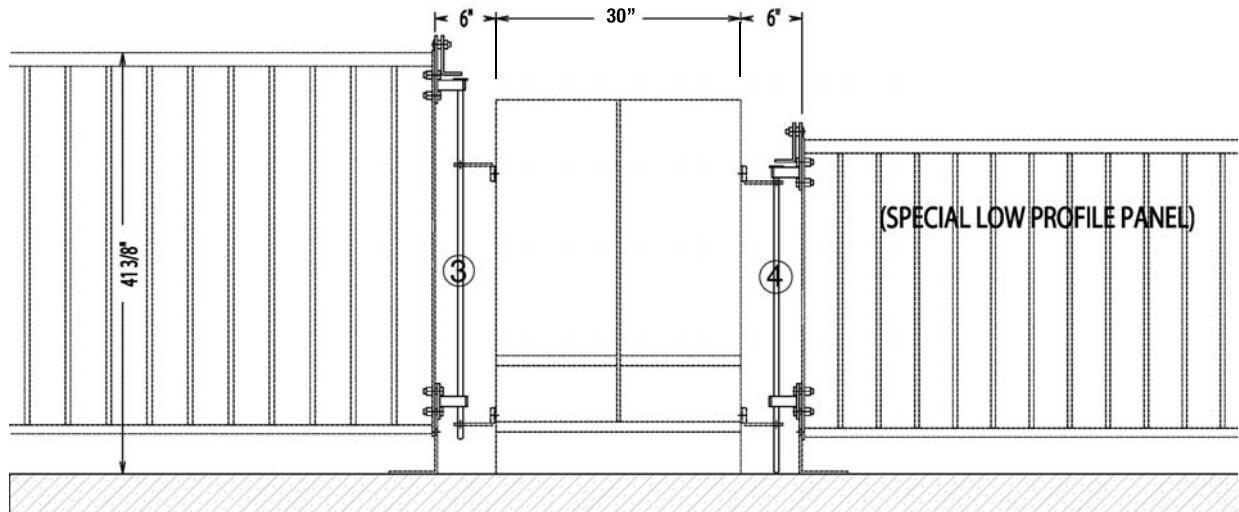
1. Fasten plastic brackets to feeder as shown.
2. Snap drop tube holder into place.
NOTE: 30-60" feeders come with extra holes for drop tube holder. Use the set of holes that best suits your need.

ASSEMBLY - NURSERY



ILLUS.	DESCRIPTION	PART #	QTY.
1	BOTTOM LOOP - 2010330	2010324 (Hardware is included with package)	2 pcs.
	TOP LOOP / FLIPPER MOUNT - 2010331		2 pcs.
	FLIPPER - 2010332		2 pcs.
2	31" SS CHANNEL ONLY + PL + LOOPS - 2013329F FLIPPER - 2010332	2013329FDR (Hardware is included with package)	1 pc. 1 pc.

ASSEMBLY - FINISHER



ILLUS.	DESCRIPTION	PART #	QTY.
3	35" LG. HINGE PIN c/w WASHER - 2010202	2010327 (Hardware is included with package)	2 pcs.
	BOTTOM LOOP - 2010330		2 pcs.
	TOP LOOP / FLIPPER MOUNT - 2010331		2 pcs.
	FLIPPER - 2010332		2 pcs.
4	30" LG. HINGE PIN c/w WASHER - 2010203	2010325 (Hardware is included with package)	2 pcs.
	BOTTOM LOOP - 2010330		2 pcs.
	TOP LOOP / FLIPPER MOUNT - 2010331 FLIPPER - 2010332		2 pcs. 2 pcs.

WET/DRY FINISHING FEEDERS

1. **Order feeder** - Specify length, calculate using 10-12 pigs per opening (openings are 15" o.c.)
- Specify pin-in or floor mount
2. **Order agitator** - If required for high moisture feeds
3. **Order plumbing kit** - One per feeder

NURSERY FEEDER ** 15-75 lb. Pigs

1. **Order feeder** - Specify length, calculate using 4-5 pigs per opening (openings are 6" o.c.)
2. **Order pin-in packages** - Order feeder parts package (2010324) for mounting one feeder on spindle panels
- Order two feeder channels (2013329FDR) for mounting on plastic panels
- Order feeder package for finisher panel, specify 30" or 35" pin
(for wet/dry feeders)